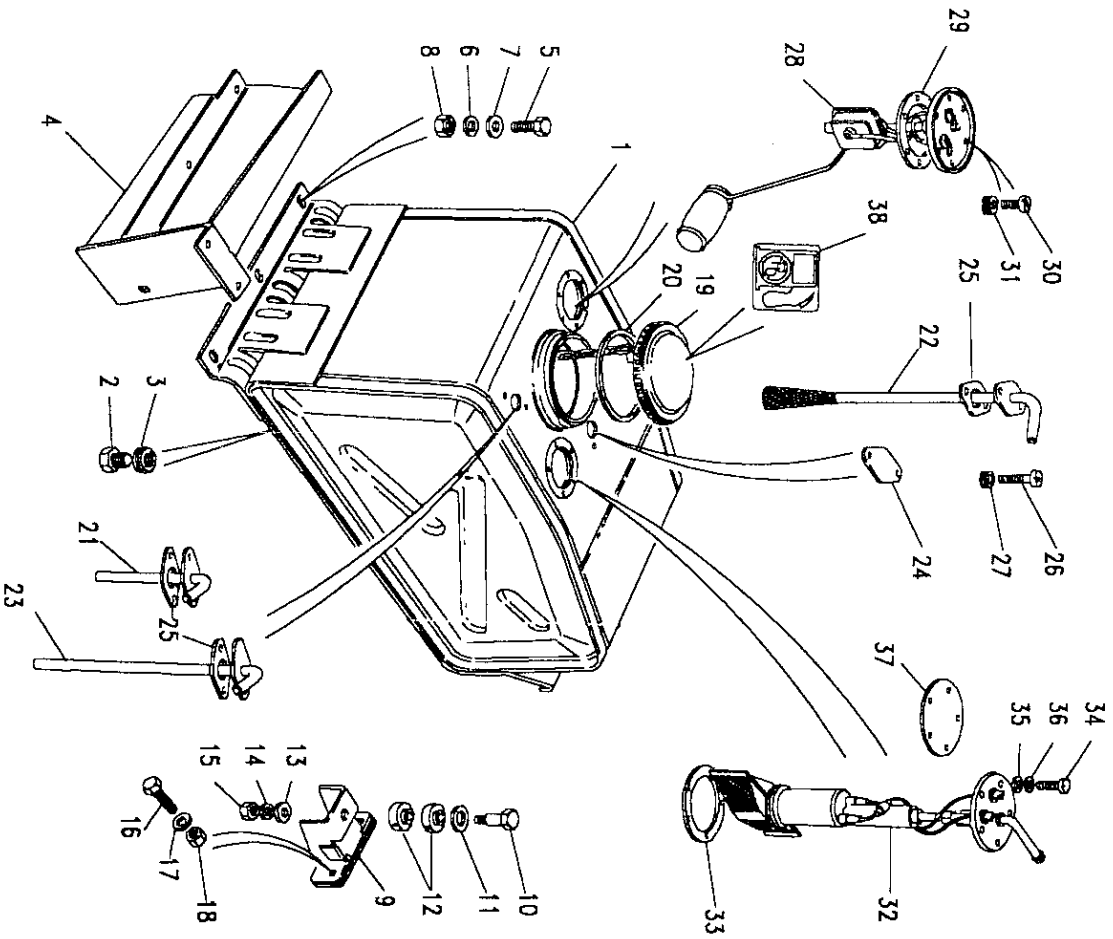




Model DEFENDER 110 1987 onwards
Page AFJXA3A

FUEL SYSTEM - EXTRA FUEL TANK - STATION WAGON



III. Part No.	Description	Qty	Remarks
1	Tank fuel	1	10 gallon
2	Plug drain	1	
3	Washer	1	
4	Bracket mounting-front	1	Upto VIN 346179
	Bracket mounting-front	1	From VIN 346180

Front fixings	Description	Qty
5	Bolt	3
6	Washer spring	3
7	Washer plain	3
8	Nut	3
9	Bracket mounting-rear	1

Rear fixings	Description	Qty
10	Bolt	1
11	Washer plain	1
12	Bush rubber	2
13	Washer plain	1
14	Washer spring	1
15	Nut	1
16	Bolt	2
17	Washer spring	2
18	Nut	2





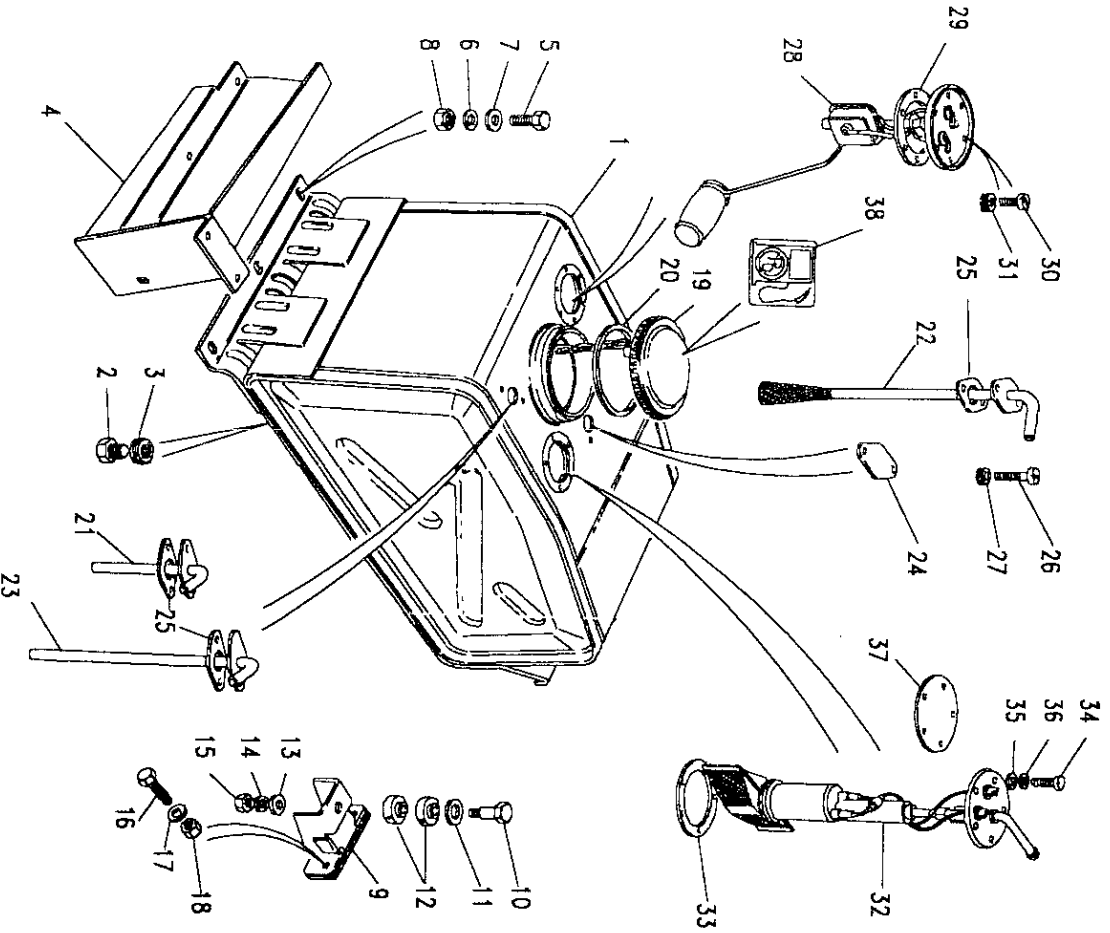
DEFENDER 110 1987 onwards

525

FUEL SYSTEM AND AIR CLEANER

Model DEFENDER 110 1987 onwards
Page AFJXA3A

FUEL SYSTEM - EXTRA FUEL TANK - STATION WAGON



III. Part No.	Description	Qty	Remarks
19	569006	1	Cap fuel filler
20	NTC3391	1	Cap fuel filler
21	NRC6836	1	Washer sealing
22	NRC9543	1	Pipe fuel return
23	NRC5414	1	Pipe fuel feed
24	NRC9678	1	Pipe fuel return
25	NTC2334	1	Plate blanking
26	267837	2	Washer joint
27	3972	4	Screw
28	3101	4	Washer spring
29	PRC3098	4	Fuel level unit
30	RTC1148	1	Washer
31	3890	1	Screw
32	3101	6	Washer spring
33	PRC7019	1	Pump fuel
34	RTC6545	1	Connector
35	PRC5852	1	Ring sealing
36	SE105121L	5	Screw
37	WL105001L	5	Washer spring
38	WA105001L	5	Washer plain
	NTC2333	1	Plate blanking
	NTC7503	1	Label unleaded fuel

Petrol
 Petrol upto
 VIN 345761 only
 Petrol
 Petrol
 Petrol
 Petrol
 Petrol
 Diesel
 4 Cylinder
 From VIN 441401
 V8
 From VIN 441412





DEFENDER 110 1987 onwards

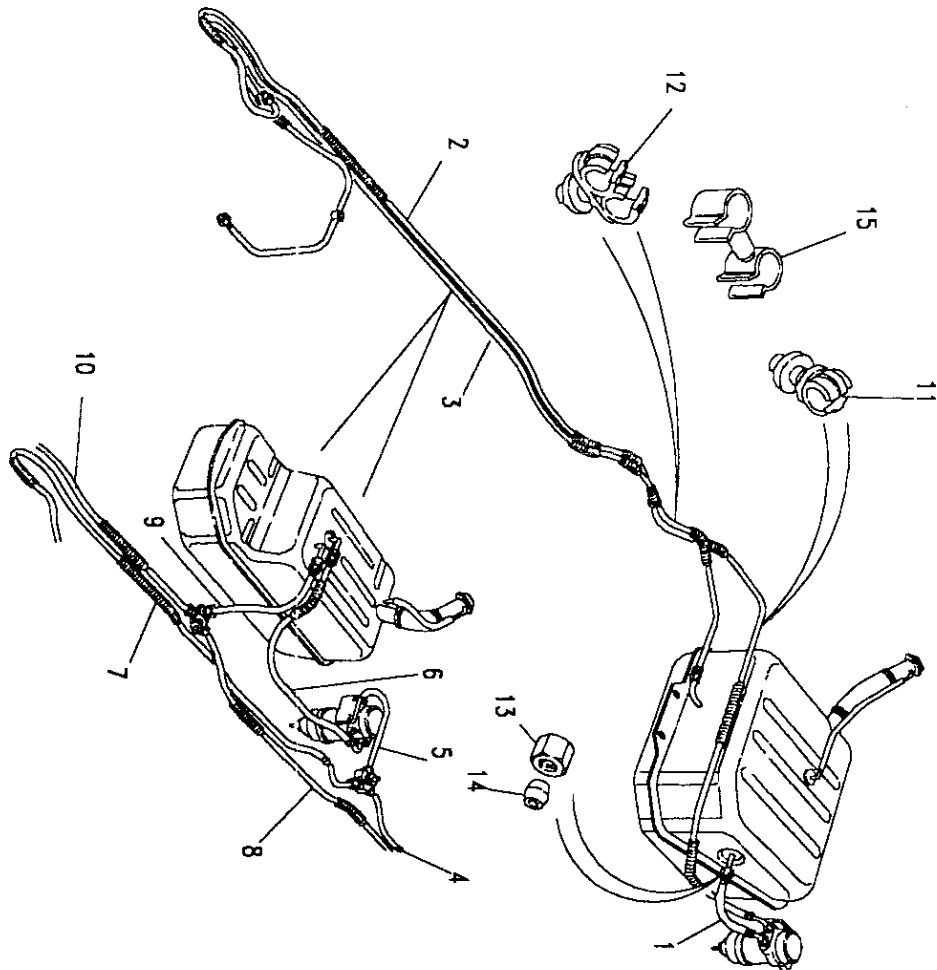
540

FUEL SYSTEM AND AIR CLEANER

Model DEFENDER 110 1987 onwards
Page AFJXEC4A

FUEL SYSTEM - PIPES - DIESEL - WITH - SEDIMENTOR

Ill. Part No.	Description	Qty	Remarks
Tank to sedimentor			
1 NRC3462	Pipe fuel	1	Upto VIN 450724
ESR245	Pipe fuel	1	From VIN 450725
Defender 110 - Sedimentor to lift pump			
2 NRC8103	Pipe fuel	1	
Defender 130 - Sedimentor to lift pump			
2 RRC2475	Pipe fuel	1	Upto October 1989
RRC6744	Pipe fuel	1	From October 1989
Spill rail to filter to rear tank			
3 NTC2157	Pipe fuel	1	Upto VIN 328280
Spill rail to filter			
NTC4604	Pipe fuel	1	From VIN 328281
Filter to rear tank			
NTC3491	Pipe fuel	1	From VIN 328281





DEFENDER 110 1987 onwards

541

FUEL SYSTEM AND AIR CLEANER

Model DEFENDER 110 1987 onwards
Page AFJXEC4A

FUEL SYSTEM - PIPES - DIESEL - WITH SEDIMENTOR

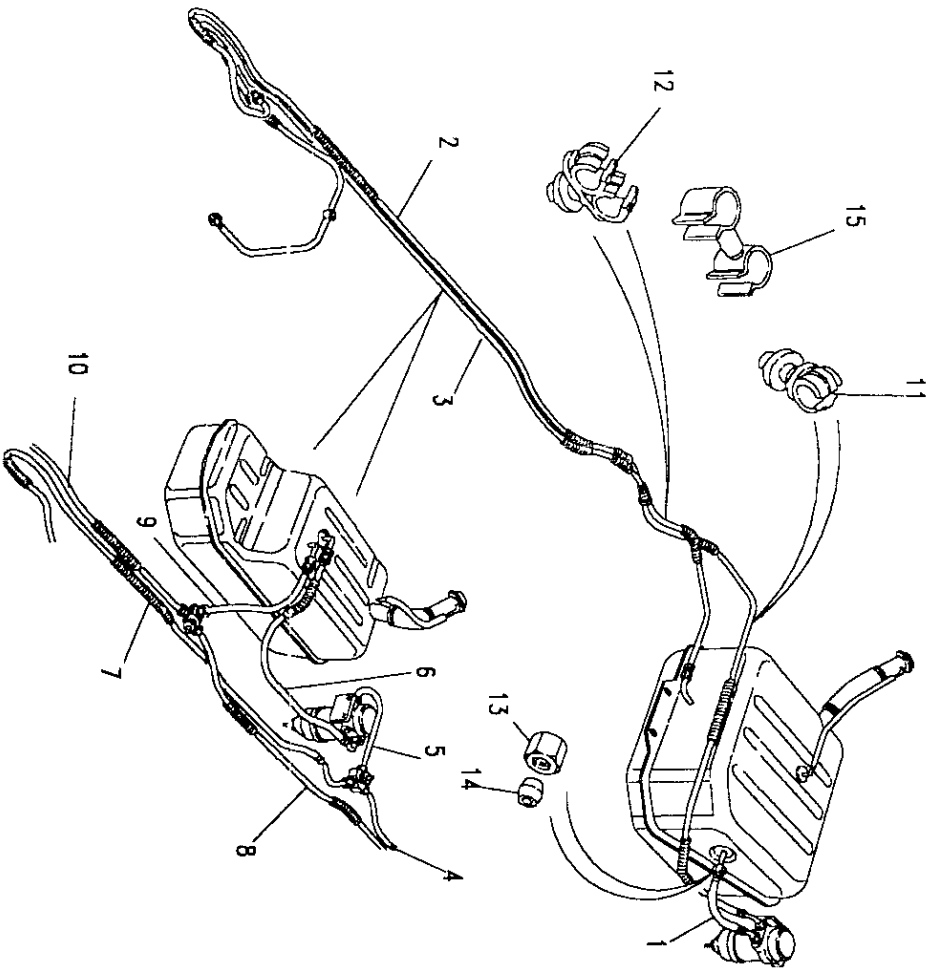
III. Part No.	Description	Qty	Remarks
Defender 110 - Spill rail to rear tank NTC5729	Pipe fuel	1	200Tdi
Defender 130 - Spill rail to rear tank ESR352	Pipe fuel	1	200Tdi

ADDITIONAL FUEL TANK - OPTIONAL

Defender 110 - Rear sedimentor to tap 4 NRC7318	Pipe fuel	1	
Defender 130 - Rear sedimentor to tap 4 RRC6747	Pipe fuel	1	From October 1989

Front sedimentor to tap
5 NRC7319
Pipe fuel

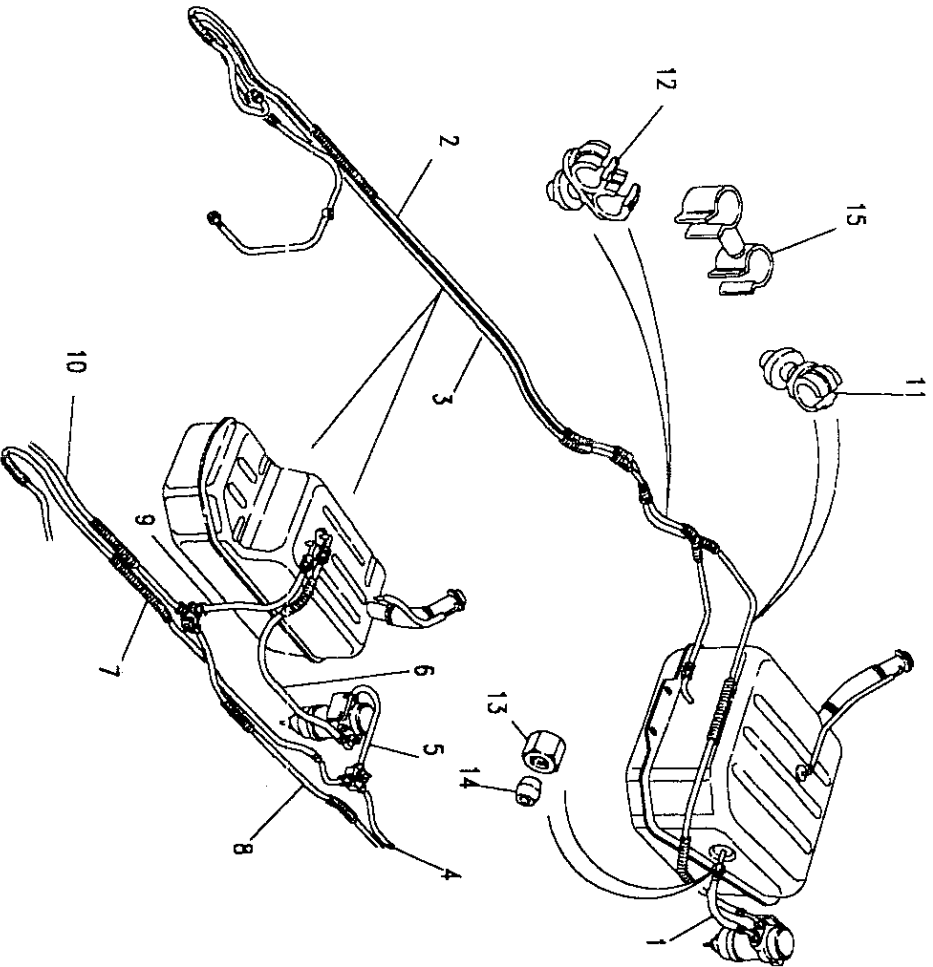
Side tank to front sedimentor
6 NRC8108
Pipe fuel
1 Upto VIN 328280
NTC4597
Pipe fuel
1 From VIN 328281





Model DEFENDER 110 1987 onwards
Page AFJXEC4A

FUEL SYSTEM - PIPES - DIESEL - WITH SEDIMENTOR



Ill. Part No.	Description	Qty	Remarks
7	Tap to lift pump NRC8104	1	
8	Tap to rear tank-spill NTC2179	1	
9	Side tank to tap-spill NRC7310 NTC4596	1	Upto VIN 328280 From VIN 328281
10	Spill rail to tap NRC7351 NTC5750	1	200Tdi
11	Filter to tap NTC3489	1	
12	Pipe clip-single 79122	4	
13	Pipe clip-double 603431	1	
14	Nut union-UNF 542846	A/R	Upto VIN 328280 From VIN 328281
15	Nut union-Metric NRC9771	A/R	Upto VIN 328280 From VIN 328281
15	Clip swivel ESR301	1	200Tdi





DEFENDER 110 1987 onwards

543

FUEL SYSTEM AND AIR CLEANER

Model DEFENDER 110 1987 onwards

Page AFJXEC4B

FUEL SYSTEM - FUEL PIPES - 300TDI

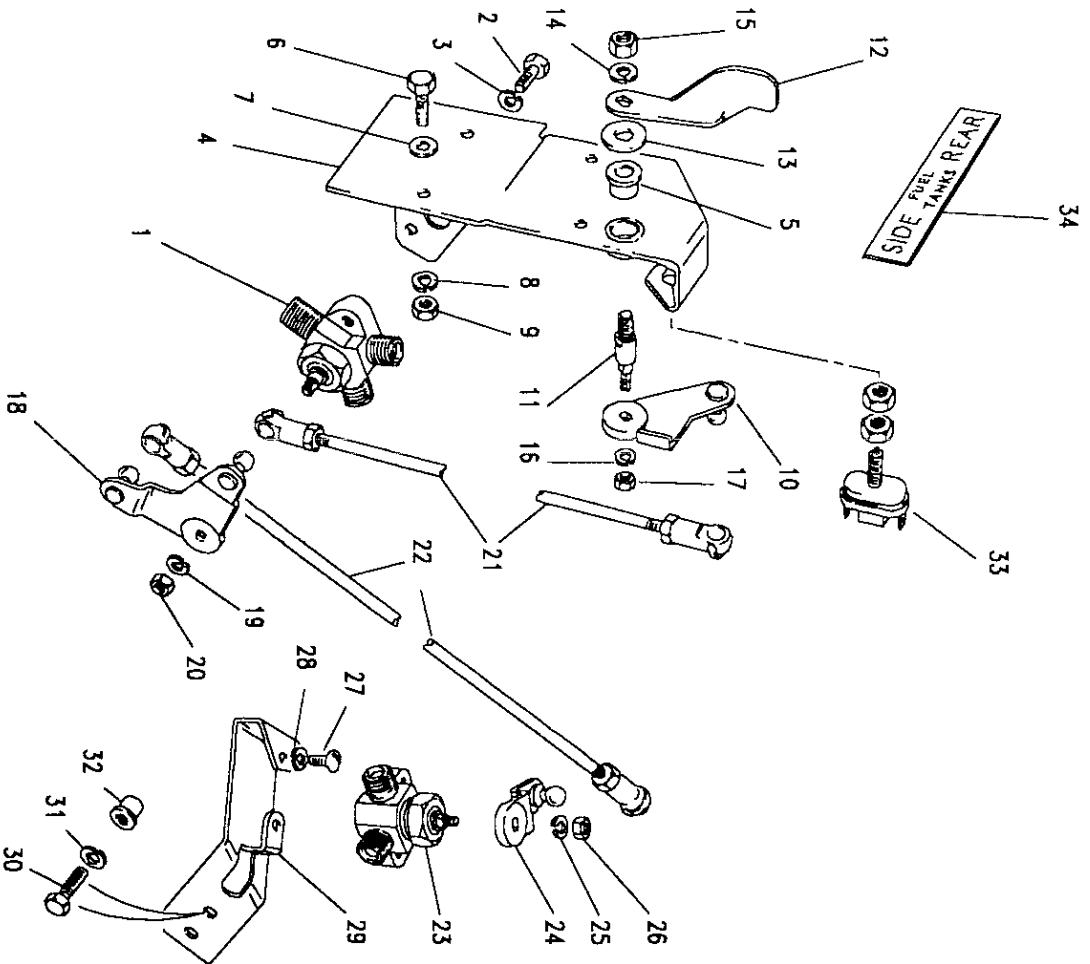
III. Part No.	Description	Qty	Remarks
1	ESR3133 Pipe fuel - tank/LP	1	110
	ESR3134 Pipe fuel - tank/LP	1	130
2	ESR3118 Pipe fuel fw/in	1	
	- LP/filter & filter/HP	1	
3	ESR3130 Pipe fuel - sedimentor/LP	1	110
	ESR3128 Pipe fuel - sedimentor/LP	1	130
4	ESR3127 Pipe fuel - spill/tank	1	110
	ESR3124 Pipe fuel - spill/tank	1	130
5	ESR3131 Pipe fuel - ch.over/LP	1	
6	ESR3126 Pipe fuel - spill/ch.over	1	
7	ESR3135 Bracket pipe clip	1	
8	ESR1373 Clip pipe	A/R	





Model DEFENDER 110 1987 onwards
Page AFJXEC5A

FUEL SYSTEM - TAPS - DUAL TANKS OPTION - DIESEL



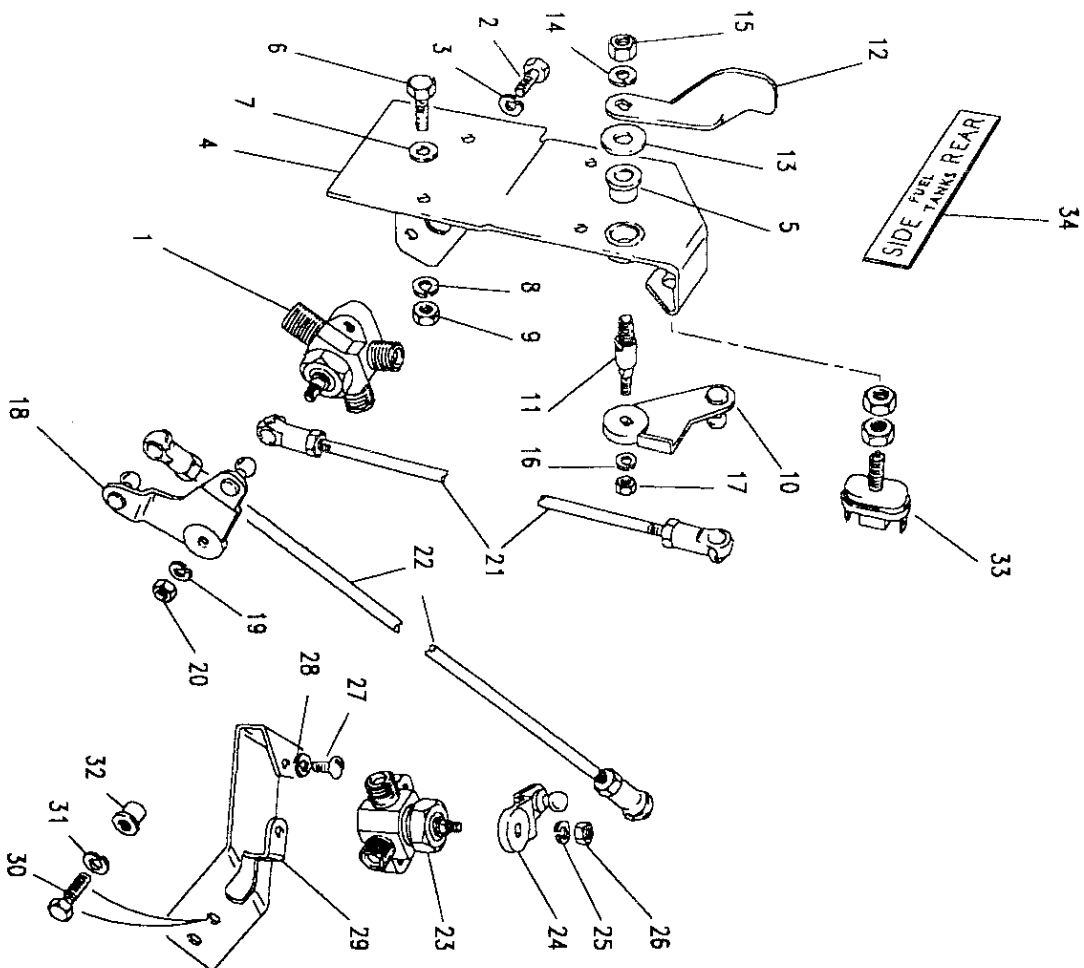
Ill. Part No.	Description	Qty	Remarks
1	NRC7249	1	Heelboard
2	FS105107	2	Screw
3	WL105001L	2	Washer spring
4	NRC7230	1	Bracket support
5	NRC6339	1	Bush
6	SH105121L	1	Screw
7	WA105001L	4	Washer plain
8	WL105001L	4	Washer spring
9	NH105041L	4	Nut
10	NRC7235	1	Lever assembly
11	NRC7238	1	Pin
12	NRC7311	1	Lever hand
13	WA108051L	1	Washer plain
14	WS108001L	1	Washer spring
15	WL106001L	1	Washer spring
16	NH106041L	1	Nut
17	NH105041L	1	Washer spring
18		1	
19		1	
20		1	
21		1	
22		1	
23		1	
24		1	
25		1	
26		1	
27		1	
28		1	
29		1	
30		1	
31		1	
32		1	
33		1	
34		1	





Model DEFENDER 110 1987 onwards
 Page AFJXEC5A

FUEL SYSTEM - TAPS - DUAL TANKS OPTION - DIESEL



III. Part No.	Description	Qty	Remarks
18	NRC7240	1	Lever assembly
19	WL105001L	1	Washer spring
20	NH105041L	1	Nut
21	NTC3455	1	Control rod
22	NTC3457	1	Control rod
23	NRC7249	1	Tap fuel
24	NRC7232	1	Lever assembly
25	WL105001L	1	Washer spring
26	NH105041L	1	Washer spring
27	SP105121	1	Nut
28	FS105107	2	Screw
29	WL105001L	2	Screw
29	NRC7880	2	Washer spring
30	NTC7398	2	Bracket support
31	SH106141L	1	Bracket support
32	WL106001L	1	Screw
33	NN106021	2	Washer spring
34	510267	2	Nutsert
	559625	1	Switch fuel change over
		1	Label
			Upto VIN FA436079
			From VIN FA436080
			Upto VIN FA436079
			From VIN FA436080
			Short
			Long
			Rear tank

