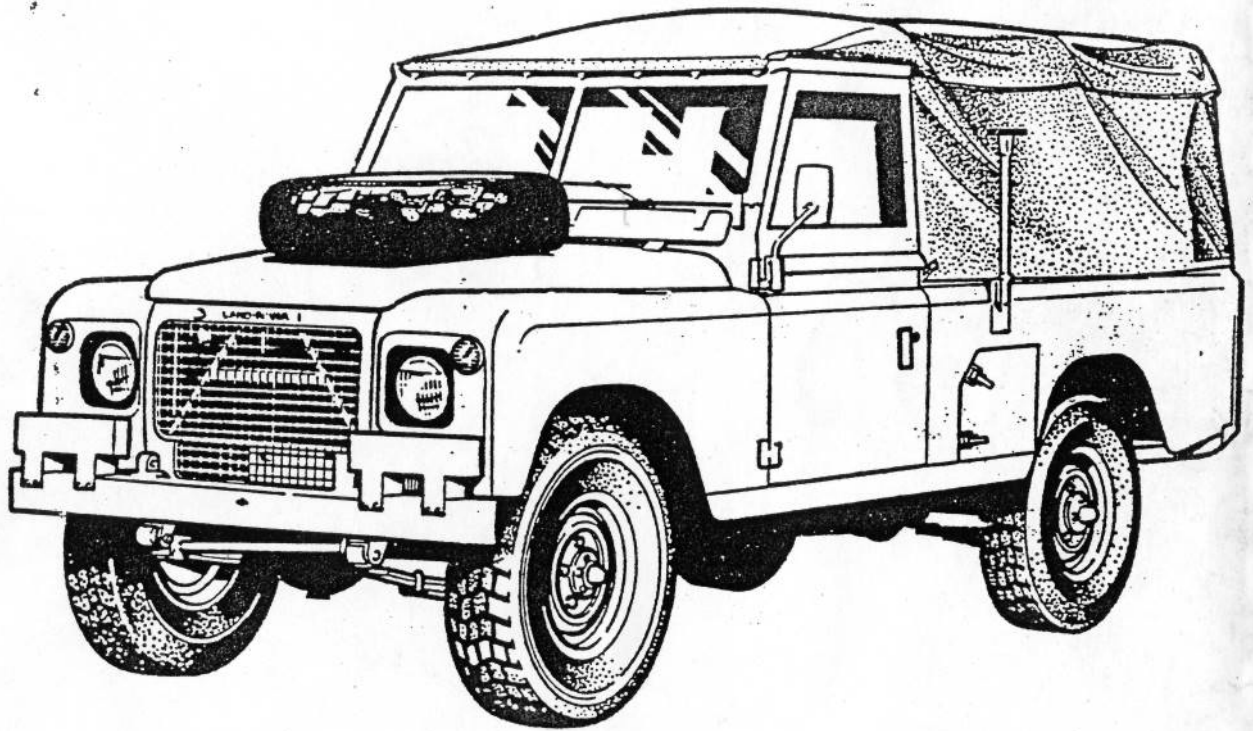


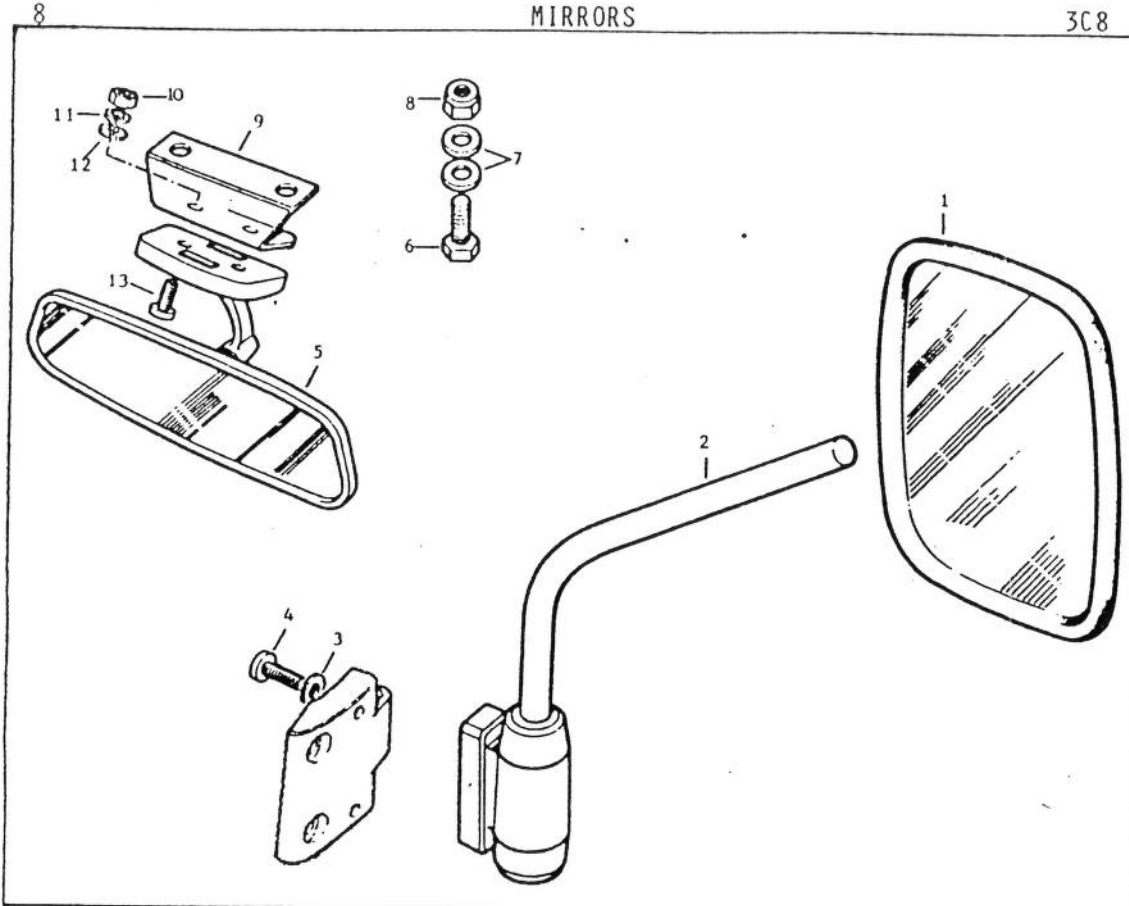
NEW ZEALAND ARMY

**Military Land Rover Series III 109 24V
3.5 Petrol FFR**

From:
RNZEME Advisor,
1 Base Sup Bn,
TRENTHAM CAMP.

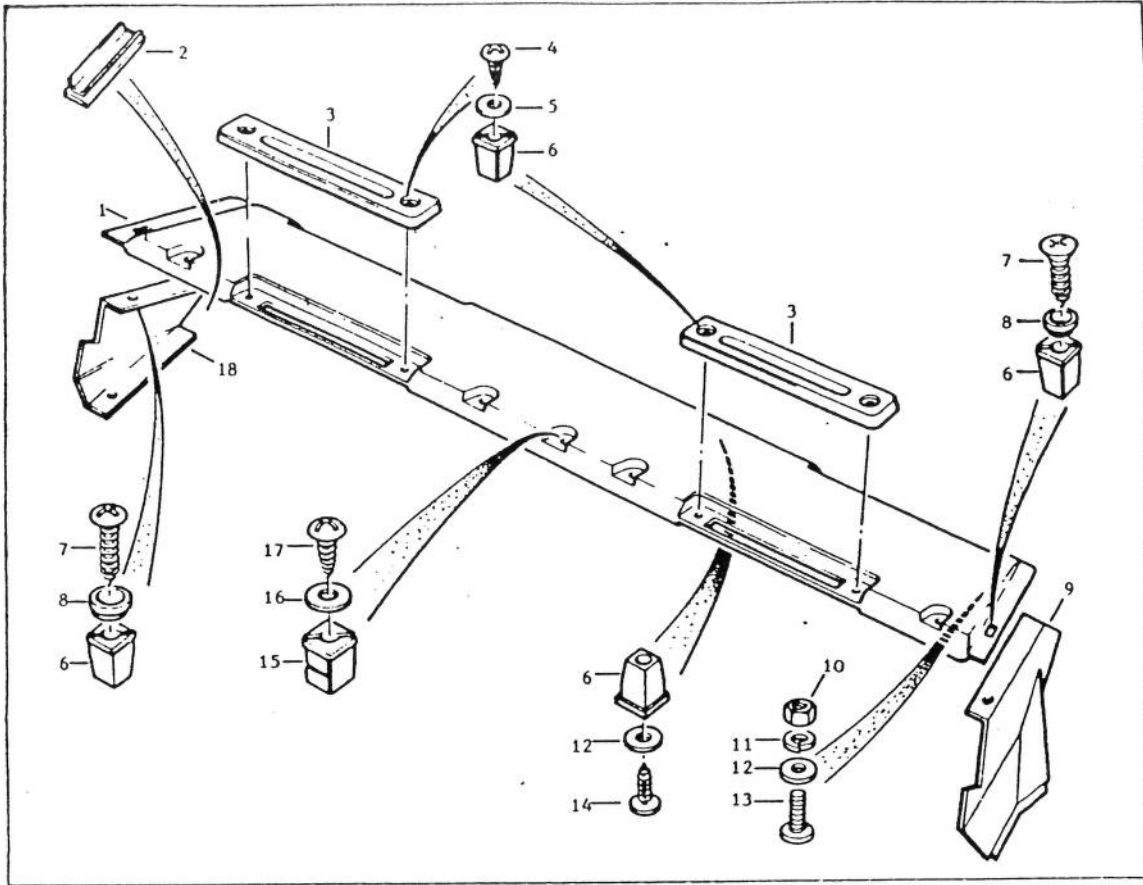


**PARTS
CATALOGUE**



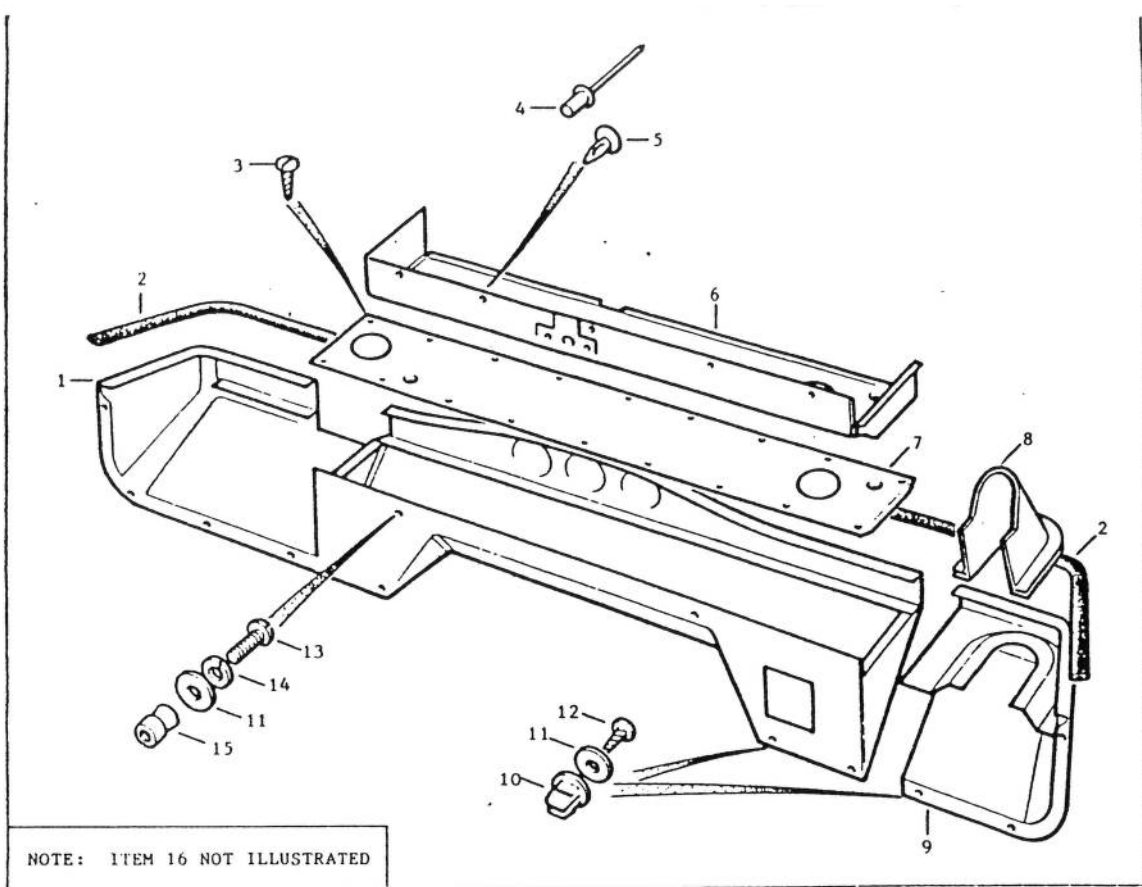
3C8

ILL NO	NSN	DESCRIPTION	QTY	R/L	NZMC
1	2540 98 856 3198	MIRROR ASSY, REAR VIEW	2	X	NRC4582
2	2540 99 825 0055	ARM, REARVIEW MIRROR, C/W MTS BRKT * LH and RH	2	X	NRC4583/NRC4583L
3	5340 99 138 0387	WASHER, ROLLED, NYLON, RD, 0.250 IN NOM BOLT HOLE, 0.375 IN OD, 0.125 IN O/A H	4	X	NRC479
4	5305 99 101 3938	SCREW, MACHINE, PAN HD, SLOT DRIVE, STEEL, CAD PLD, 0.250 IN 28 UNF, 0.875 IN LG	4	X	79310
5	2540 99 825 4670	MIRROR ASSY, INTERIOR	1	X	345585
6	5305 99 941 0513	SCREW, MACHINE, HEX HD, STEEL, ZINC PLD, 0.250 IN 28 UNF, 0.750 IN LG	2	Y	
7	5310 99 849 8006	WASHER, FLAT, RD, STEEL,	2	Y	
8	5310 99 941 3524	NUT, SELF LOCKING, HEX, STEEL, ZINC PLD, 0.250 IN 28 UNF	2	Y	
9	2540 99 828 1001	BRACKET, MIRROR	1	Y	338275
10	5310 99 941 2419	NUT, PLAIN, HEX, STEEL, 0.190 IN 32 UNF	2	X	HN2005
11	5310 99 941 6653	WASHER, LOCK, SPLIT HELICAL RING, STEEL, 0.187 IN NOM BOLT SIZE, 0.330 IN OD, 0.064 IN THK	2	X	WM702001
12	5310 99 941 6867	WASHER, FLAT, RD, STEEL, CAD PLD, 0.190 IN NOM BOLT SIZE, 0.390 IN OD, 0.032 IN THK	2	X	GHF306
13	5305 99 948 0269	SCREW, MACHINE, STEEL, FLAT CSK HD, SLOT DRIVE, STEEL, CAD PLD, 0.190 IN 32 UNF, 0.593 IN LG	2	X	78553



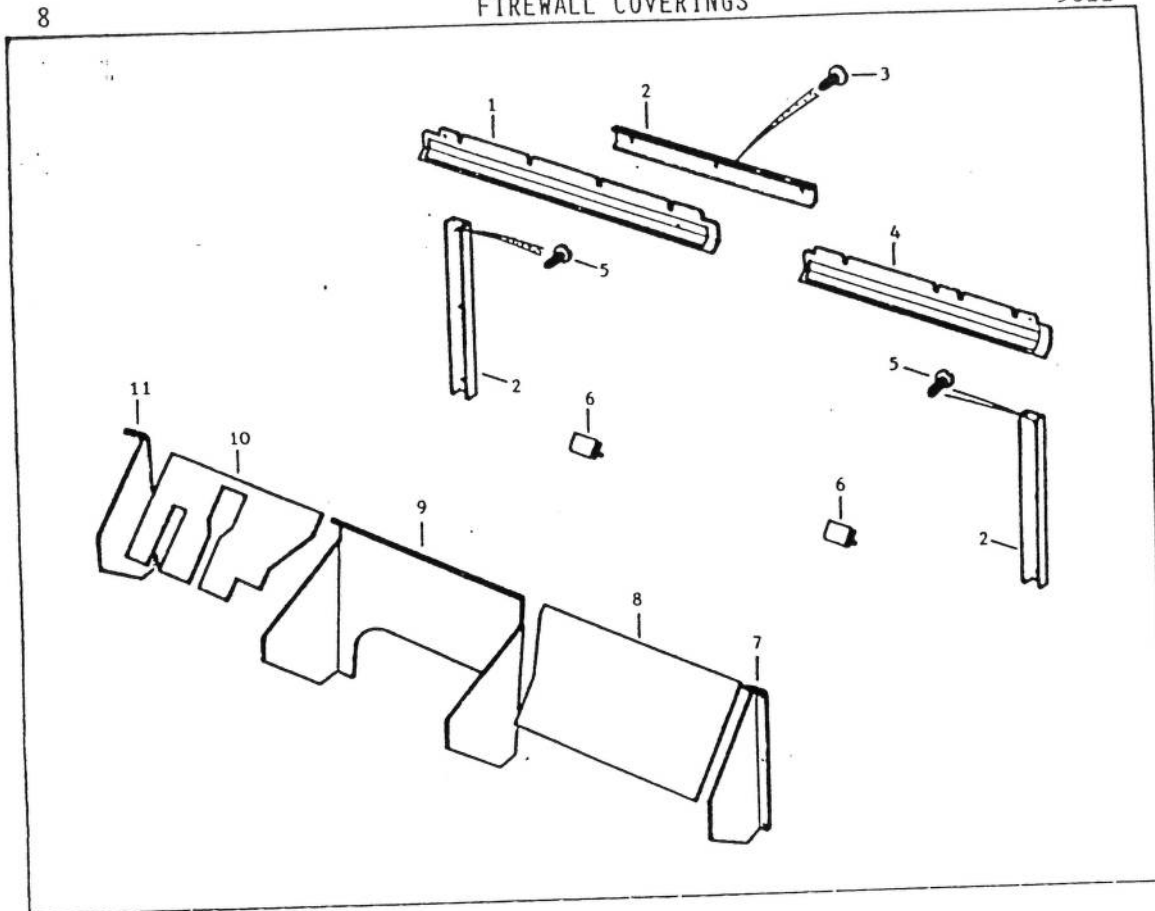
309

ILL NO	NSN	DESCRIPTION	QTY	R/L	NZHC
1	5330 98 856 3555	PANEL, PADDING, UPPER DASH, CRASH PADDING	1	Y	MRC3973
2	2510 99 82A 3046	END TRIM, INSTRUMENT PANEL	1	Y	346899
3	2540 99 829 7983	DEMISTER OUTLET, PLASTICS	2	Y	395871
4	5305 99 135 7505	SCREW, TAPPING, THD FORMING, FLAT CSK HD, STEEL, ZINC PLD, NO 6, 0.500 IN LG	4	Y	MRC3053
5	5310 99 941 8569	WASHER, FLAT, RD, STEEL, 0.190 IN NOM BOLT SIZE, 0.391 IN OD, 0.032 IN THK	4	Y	MRC3051
6	5310 99 137 6356	NUT, ANCHOR, NYLON, 0.375 IN W, 0.375 IN LG, 0.312 IN H	10	Y	4HF1021
7	5305 99 134 0620	SCREW, TAPPING, THD FORMING, FLAT CSK HD, SLOT DRIVE, STEEL, CAD PLD, NO 6, 0.625 IN LG	5	Y	79245
8	2510 99 828 4754	WASHER, NYLON	7	Y	MRC1978
9	2590 98 856 3346	TRIM, END CLOSING	1	Y	346680
10	5310 99 941 2419	NUT, PLAIN, HEX, STEEL, 0.190 IN 32 UNF	2	Y	HN2005
11	5310 99 941 6653	WASHER, LOCK, SPLIT HELICAL RING, STEEL, 0.187 IN NOM BOLT SIZE, 0.330 IN OD, 0.064 IN THK	2	Y	HMT02007
12	5310 99 940 3514	WASHER, FLAT, RD, STEEL, CAD PLD, NO 2 BA BOLT SIZE, 0.386 IN OD, 0.032 IN THK	4	Y	MRC4860
13	5305 99 914 7989	SCREW, MACHINE, UNF, ST, PAN HD, SLOT DR, CAD PLD, NO 10 X 0.500 IN LG, CLASS 2A THD	2	Y	MRC3047
14	5305 99 850 5939	SCREW, TAPPING, THD FORMING, FLAT CSK HD, STEEL, ZINC PLD, NO 8, 0.625 IN LG	2	Y	MRC4963
15	5310 99 137 6550	NUT, ANCHOR, SQ, NYLON, FOR NO 10 DRIVE SCREW	5	Y	4HF1002
16	5310 99 120 4032	WASHER, FLAT, RD, STEEL, ZINC PLD, 0.250 IN NOM BOLT SIZE, 0.562 IN OD, 0.056 IN THK	5	Y	MRC3055
17	5305 99 137 2811	SCREW, TAPPING, THD FORMING, PAN HD, SLOT DRIVE, STEEL, ZINC PLD, NO 14, 0.500 IN LG	5	Y	MRC3054
18	2590 98 856 3345	TRIM, END CLOSING	1	Y	346675



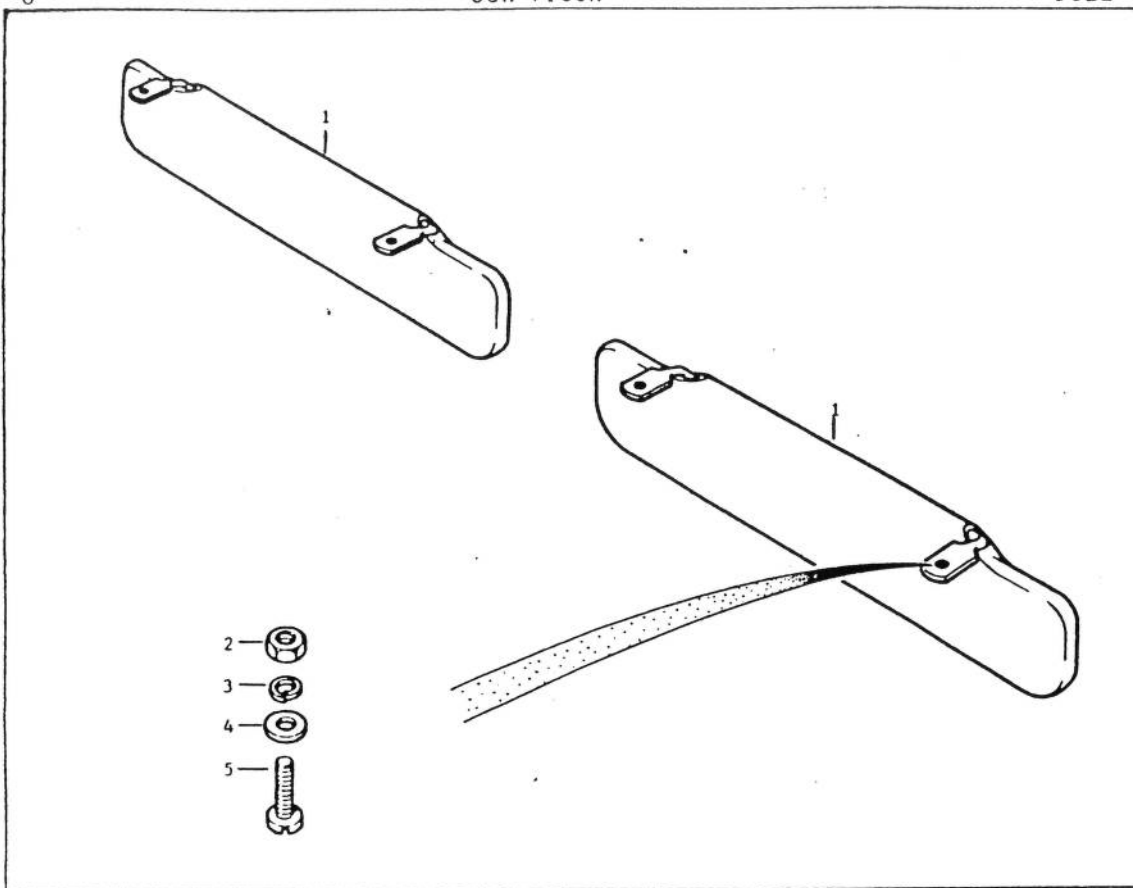
3C10

ILL NO	NSN	DESCRIPTION	QTY	R/L	
1	2540 98 856 3347	PANEL, HEATING DUCT	1	Y	346723
2	2540 99 828 8634	STRIP, SEALING, VEHICULAR	1	Y	347522
3	5305 99 941 8366	SCREW, TAPPING, THD FORMING, STEEL, ZINC PLD, NO 6, 0.250 IN LG	22	Y	AB606021
4	5320 99 941 7263	RIVET, BLIND, UNIVERSAL HD, NICKEL - COPPER ALLOY, 0.109 IN DIA, 0.190 IN LG	2	Y	78704-
5	5325 98 856 3540	FASTENER	5	X	4HF1050
6	2540 99 824 9283	TRAY, PARCEL, VEHICULAR, PLASTICS	1	Y	395507
7	2540 99 829 2083	PANEL, CLOSING, HEATER DUCT	1	Y	346813
8	2920 99 829 0101	COVER, MOTOR, WINDSCREEN WIPER	1	X	347321
9	2920 99 828 9720	COVER, MOTOR, WINDSCREEN WIPER	1	X	346840
10	2510 99 811 9100	INSERT, NYLON, SELF TAP	10	X	4HF1028
11	5310 99 941 6866	WASHER, FLAT, RD, STEEL, CAD PLD, NO 2 BA NOM BOLT SIZE, 0.500 IN OD, 0.048 IN THK	12	X	AFU1248
12	5305 99 135 2335	SCREW, TAPPING, THD FORMING, STEEL, ZINC PLD, NO 8, 0.625 IN LG	10	X	MRC4859
13	5305 99 136 3718	SCREW, MACHINE, HEX HD, STEEL, ZINC PLD, 0.190 IN 32 UNF, 0.750 IN LG	2	Y	257020
14	5310 99 941 6653	WASHER, LOCK, SPLIT HELICAL RING, STEEL, 0.187 IN NOM BOLT SIZE, 0.330 IN OD, 0.064 IN THK	2	Y	WM702001
15	5310 99 137 6547	NUT, PLAIN, BLIND RIVET, STEEL, ZINC PLD, 0.190 IN 32 UNF	2	Y	79239
16	5330 98 856 3385	STRIP, SEALING, VEHICULAR, 47 IN O/A LG	1	Y	92527



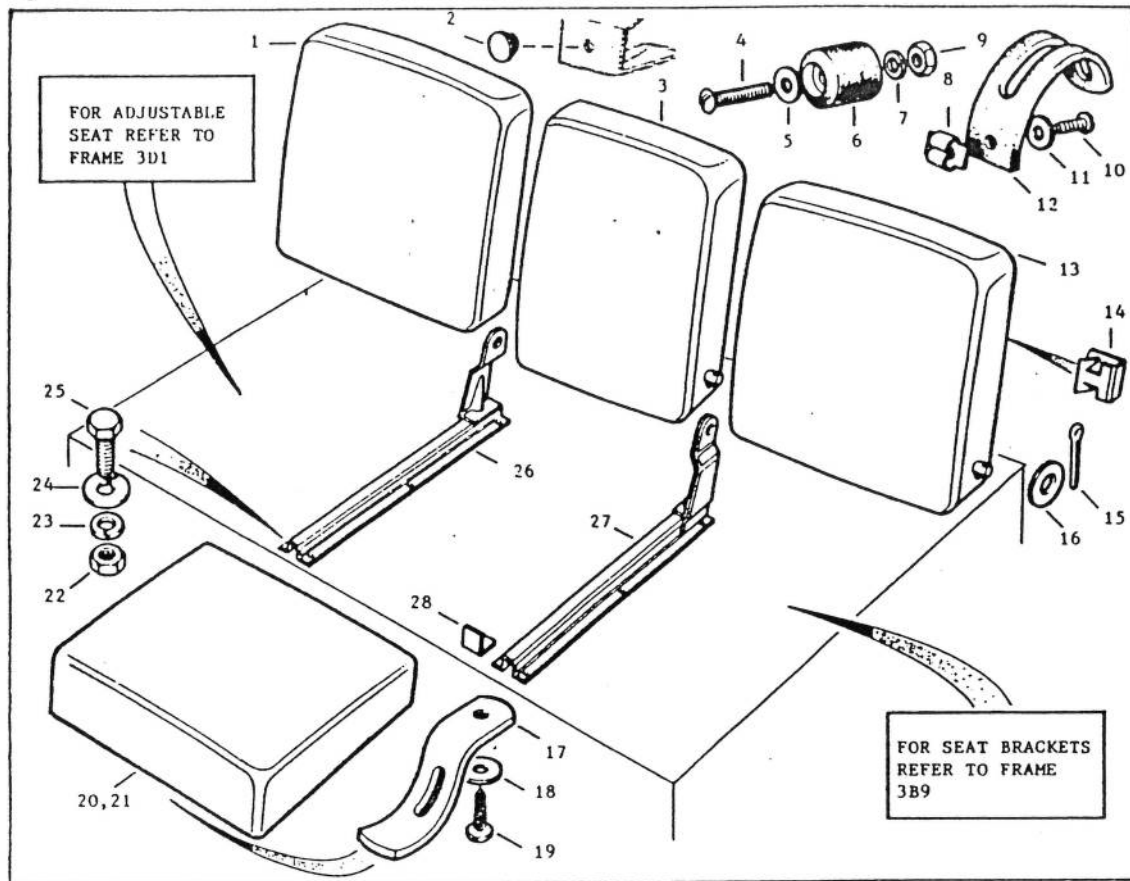
3C11

ILL NO	NSN	DESCRIPTION	QTY	R/L	NZMC
1	2510 99 825 4934	RETAINER, R/H	1	Y	396415
2	2510 99 825 4935	RETAINER	3	Y	304716
3	5305 99 950 4416	SCREW, TAPPING, THD FORMING, PAN HD, SLOT DRIVE, STEEL, CAD PLD, NO 6, 0.500 IN LG	3	Y	GHF421
4	2510 99 825 4936	RETAINER, L/H	1	Y	396416
5	5305 99 901 9736	SCREW, TAPPING, THD FORMING, PAN HD, SLOT DRIVE, STEEL, CAD PLD, NO 6, 0.375 IN LG	12	Y	AB606031
6	2510 99 825 4939	RETAINING BRACKET	4	Y	349362
7	2510 99 844 9744	COVERING, FLOOR, DASH SIDE, LH	1	Y	331527
8	2540 98 856 3350	DASH TOP CASING	1	Y	349364
9	2540 98 856 3561	COVER DASH CENTRE	1	Y	4RC4447
10	2540 98 856 3349	DASH TOP CASING	1	Y	349354
11	2510 99 844 9682	COVERING, FLOOR, DASH SIDE, RH	1	Y	331457



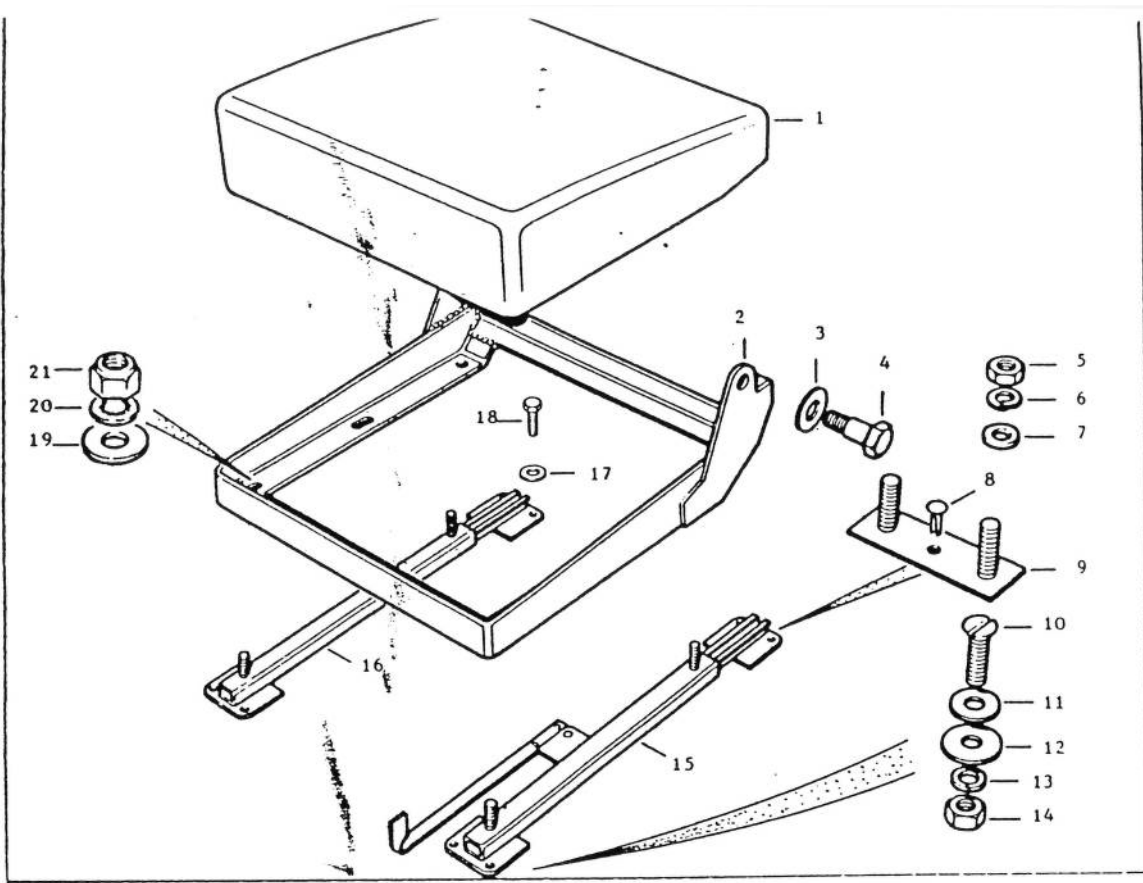
3012

ILL NO	NSN	DESCRIPTION	QTY	R/L	NZMC
1	2540 99 828 9085	VISOR, SUN	2	X	MRC1765
2	5310 99 941 2419	NUT, PLAIN, HEX, STEEL, 0.190 IN 32 UNF	4	X	HN2005
3	5310 99 941 6653	WASHER, LOCK, SPLIT HELICAL RING, STEEL, 0.187 IN NOM BOLT SIZE, 0.330 IN OD, 0.064 IN THK	4	X	NM702001
4	5310 99 941 8569	WASHER, FLAT, RD, STEEL, 0.190 IN NOM BOLT SIZE, 0.391 IN OD, 0.032 IN THK	4	X	6HF306
5	5305 99 941 8357	SCREW, MACHINE, PAN HD, SLOT DRIVE, STEEL, CAD PLD, 0.190 IN 32 UNF, 0.750 IN LG	4	X	78384



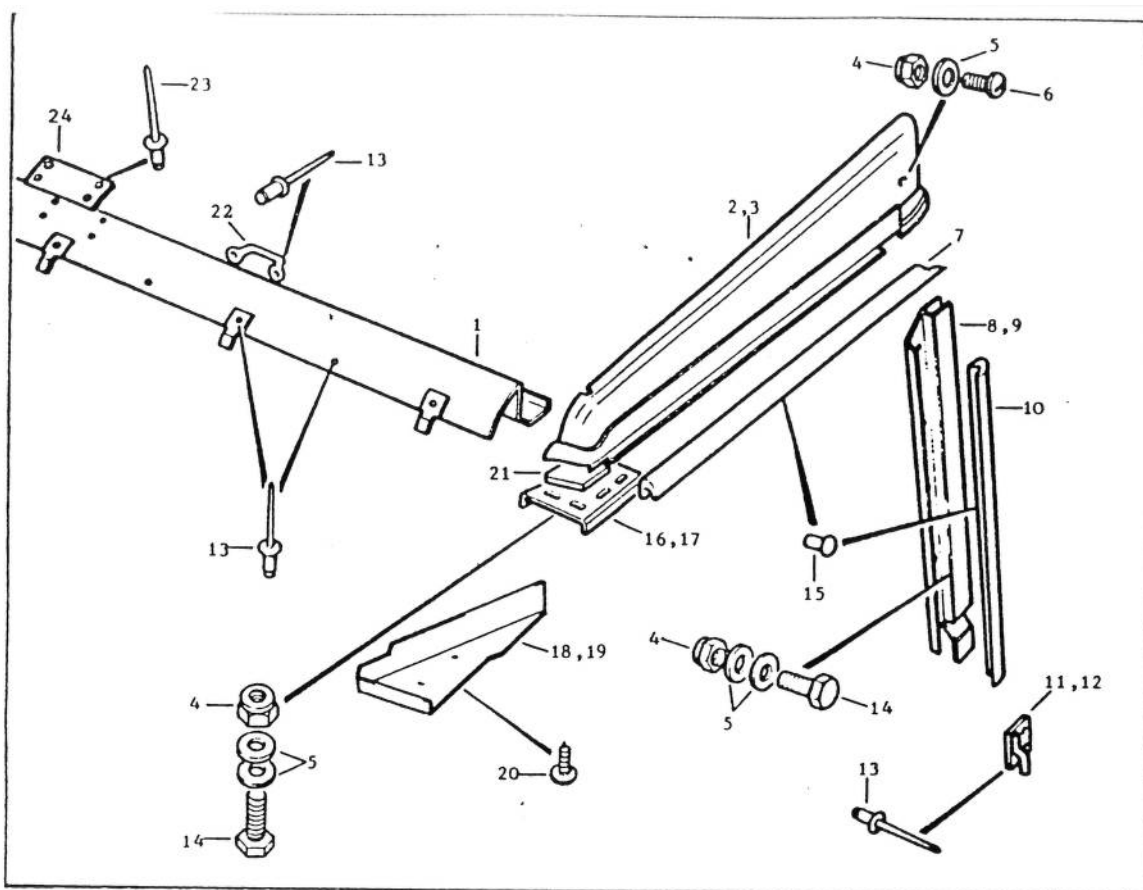
3C13

ILL NO	NSN	DESCRIPTION	QTY	R/L	NZMC
1	2540 99 828 4093	SQUARE, CUSHION, SEAT, VEHICULAR, R/H	1	Y	349202
2	5325 99 844 9501	GROMMET, BLANK, NON METALLIC, RUBBER	2	X	331095
3	2540 99 811 8995	CUSHION, SEAT BACK, VEHICULAR, CENTRE	1	Y	349203
4	5305 99 941 9086	SCREW, MACHINE, FLAT FIL HD, SLOT DRIVE, STEEL, CAD PLD, NO 2 BA, 1 IN LG	4	X	78120
5	5310 99 940 3514	WASHER, FLAT, RD, STEEL, CAD PLD, NO 2 BA BOLT SIZE, 0.386 IN OD, 0.032 IN THK	4	X	4030
6	2540 99 849 9810	BUMPER, RUBBER, SYNTHETIC, 0.437 IN ID, 1.062 IN OD, 1 IN H	4	X	304125
7	5310 99 941 6653	WASHER, LOCK, SPLIT HELICAL RING, STEEL, 0.187 IN NOM BOLT SIZE, 0.330 IN OD, 0.064 IN THK	4	X	WM702001
8	5310 99 849 8618	NUT, SHEET, SPRING	2	X	78237
9	5310 99 941 7070	NUT, PLAIN, HEX, STEEL, CAD PLD, NO 2 BA	4	X	RTC608
10	5305 99 122 4165	SCREW, TAPPING, THD FORMING, PAN HD, SLOT DRIVE, 0.190 IN, 0.500 IN LG	2	X	AB610081
11	5310 99 849 8000	WASHER, FLAT, RD, STEEL, 0.187 IN NOM ID, 0.750 IN OD, 0.062 IN THK	2	X	4034
12	2540 99 850 1655	STRAP, LEATHER, 4 IN LG, 1 IN W	2	X	331273
13	2540 99 811 8983	SQUARE, CUSHION, SEAT, VEHICULAR, LH	1	Y	349201
14	5340 99 844 9537	CLIP, SPRING TENSION	24	Y	GHF1149
15	5315 99 120 2569	PIN, COTTER, SPLIT, STEEL, 0.093 IN NOM DIA, 0.375 IN LG	4	X	RTC614
16	5330 99 815 8208	WASHER, NON METALLIC, PLASTIC, 0.312 IN ID, 0.750 IN OD, 0.060 IN THK	4	X	349981
17	2540 99 874 0535	STRAP, LEATHER, 5 IN LG, 1 IN W	1	X	331974
18	5310 99 136 4549	WASHER, FLAT, RD, ST, ZN PLD, 0.562 IN OD, 0.500 IN ID, 0.031 IN THK	2	X	4032
19	5305 99 950 4416	SCREW, TAPPING, THREAD FORMING, ST, PAN HD, SLOT DRIVE, DOG POINT, CAD PLD, NO 6 X 0.500 IN LG	2	X	GHF421
20	2540 99 811 8997	CUSHION, SEAT, VEHICULAR, CENTRE	1	Y	349173
21	2540 99 811 8981	CUSHION, SEAT, VEHICULAR, LH	1	Y	349172
22	5310 99 122 5295	NUT, PLAIN, HEX, STEEL, ZINC PLD, ISO METRIC, 6 MM, 1 MM PITCH	10	Y	GHF200
23	5310 99 137 9232	WASHER, LOCK, SPLIT HELICAL RING, STEEL, ZINC PLD, 6 MM NOM HOLE SIZE, 9.60 MM OD, 1.50 MM THK	10	Y	GHF331
24	5310 99 977 1694	WASHER, FLAT, RD, STEEL, ZINC PLD, 6.40 MM ID, 19 MM OD, 1.60 MM THK	20	Y	RTC609
25	5305 99 122 5361	SCREW, MACHINE, HEX HD, STEEL, ZINC PLD, ISO METRIC, 6 MM, 1 MM PITCH, 20 MM LG	10	Y	255207
26	2540 99 850 1449	SUPPORT ASSY, SEAT, R/H	1	Y	331007
27	2540 99 850 1650	SUPPORT, SEAT ASSY, L/H	1	Y	331008
28	5340 99 844 9774	BRACKET, ANGLE	2	Y	331818



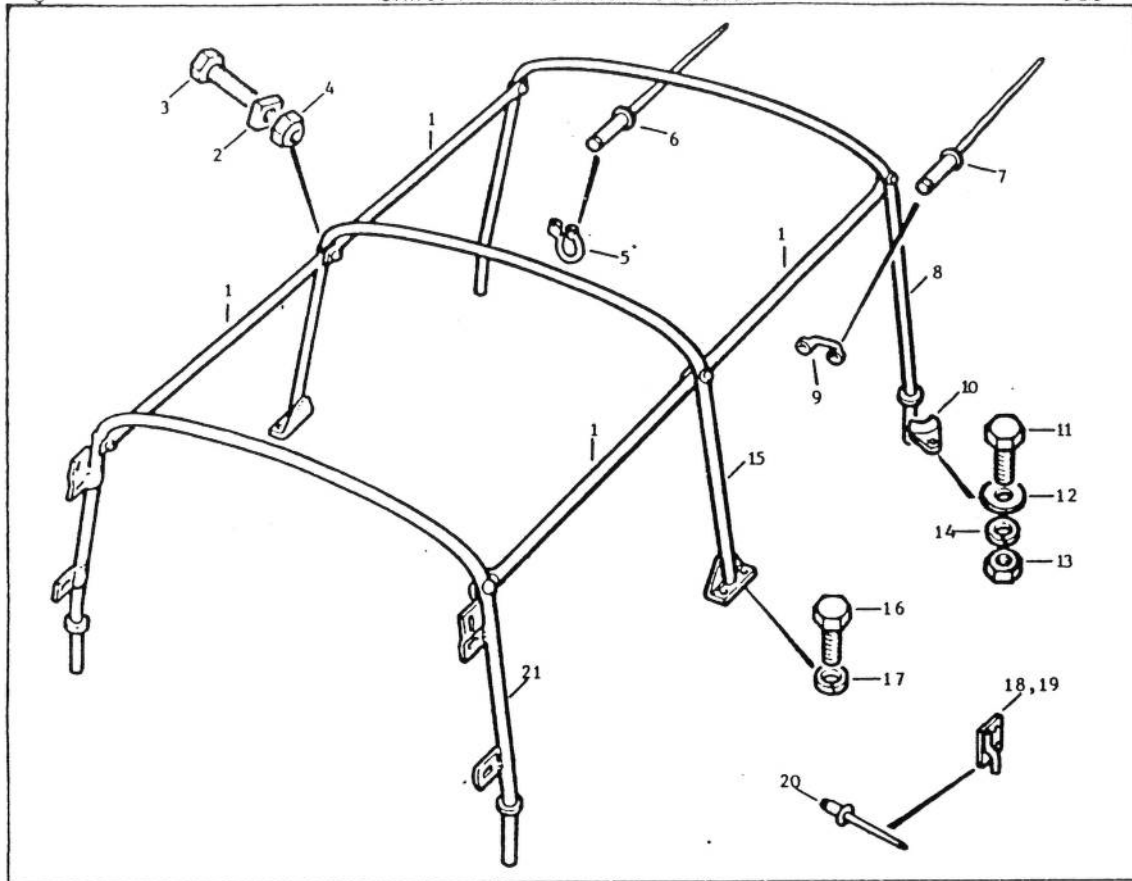
301

ILL NO	MSN	DESCRIPTION	QTY	R/L	NZMC
1	2540 99 811 8980	CUSHION, SEAT, VEHICULAR, PLASTICS, RH	1	Y	349171
2	2540 99 824 8615	SEAT, INDIVIDUAL	1	Y	331466
3	5330 99 815 8208	WASHER, NON METALLIC, PLASTIC, 0.312 IN ID, 0.750 IN OD, 0.060 IN THK	2	Y	349931
4	5306 99 845 0453	BOLT, SHOULDER, HEX HD, STEEL, CAD PLD.	2	Y	331709
5	5310 99 804 7941	NUT, PLAIN, HEX, STEEL, ZINC PLD, 0.250 IN 28 UNF	2	Y	
6	5310 99 941 6654	WASHER, LOCK, SPLIT HELICAL RING, 0.250 IN NOM BOLT SIZE, 0.425 IN OD, 0.072 IN THK	2	Y	
7	5310 99 120 4032	WASHER, FLAT, RD, STEEL, ZINC PLD, 0.250 IN NOM BOLT SIZE, 0.562 IN OD, 0.056 IN THK	2	Y	
8	5320 99 001 7678	RIVET, SOLID, COPPER BUTTON HD, 0.188 IN DIA, 0.625 IN LB	1	Y	73979
9	2510 99 824 4299	PLATE ASSY, RETAINER, SEAT CUSHION	1	Y	395064
10	5305 99 122 5291	SCREW, MACHINE, FLAT CSK HD, SLOT DRIVE, ISO METRIC, 6 MM, 1 MM PITCH, 20 MM LG	4	Y	5A604061
11	5310 99 977 1694	WASHER, FLAT, RD, STEEL, ZINC PLD, 6.40 MM ID, 19 MM OD, 1.60 MM THK	4	Y	RTC609
12	5310 99 101 7838	WASHER, FLAT, RD, STEEL, ZN PLD, 0.263 IN ID, 0.620 IN OD, 0.056 IN THK	4	Y	RTC622
13	5310 99 137 9232	WASHER, LOCK, STEEL, SPLIT HELICAL RING, 6 MM NOM HOLE SIZE, 9.60 MM OD, 1.50 MM THK	4	Y	GHF331
14	5310 99 122 5295	NUT, PLAIN, HEX, STEEL, ZINC PLD, ISO METRIC, 6 MM, 1 MM PITCH	4	Y	GHF200
15	2540 99 844 9502	ADJUSTER, INDIVIDUAL SEAT	1	Y	MRC9492
16	2540 99 844 9528	SLIDE ASSY, FRONT SEAT	1	Y	MRC9481
17	5310 98 856 3570	PLAIN WASHER,	2	Y	MRC5526
18	5305 98 856 3687	SCREW	2	Y	5A106801
19	5310 99 122 6476	WASHER, FLAT, RD, STEEL, ZINC PLD, 10 MM NOM BOLT SIZE, 21 MM OD, 2 MM THK	4	Y	GHF302
20	5310 99 101 0187	WASHER, LOCK, FLAT INTERNAL TEETH, 0.312 IN NOM BOLT SIZE, 0.593 IN OD, 0.030 IN THK	4	Y	GHF322
21	5310 99 136 1526	NUT, PLAIN, HEX, STEEL, ZINC PLD, 0.312 IN 24 UNF	4	Y	NT605061



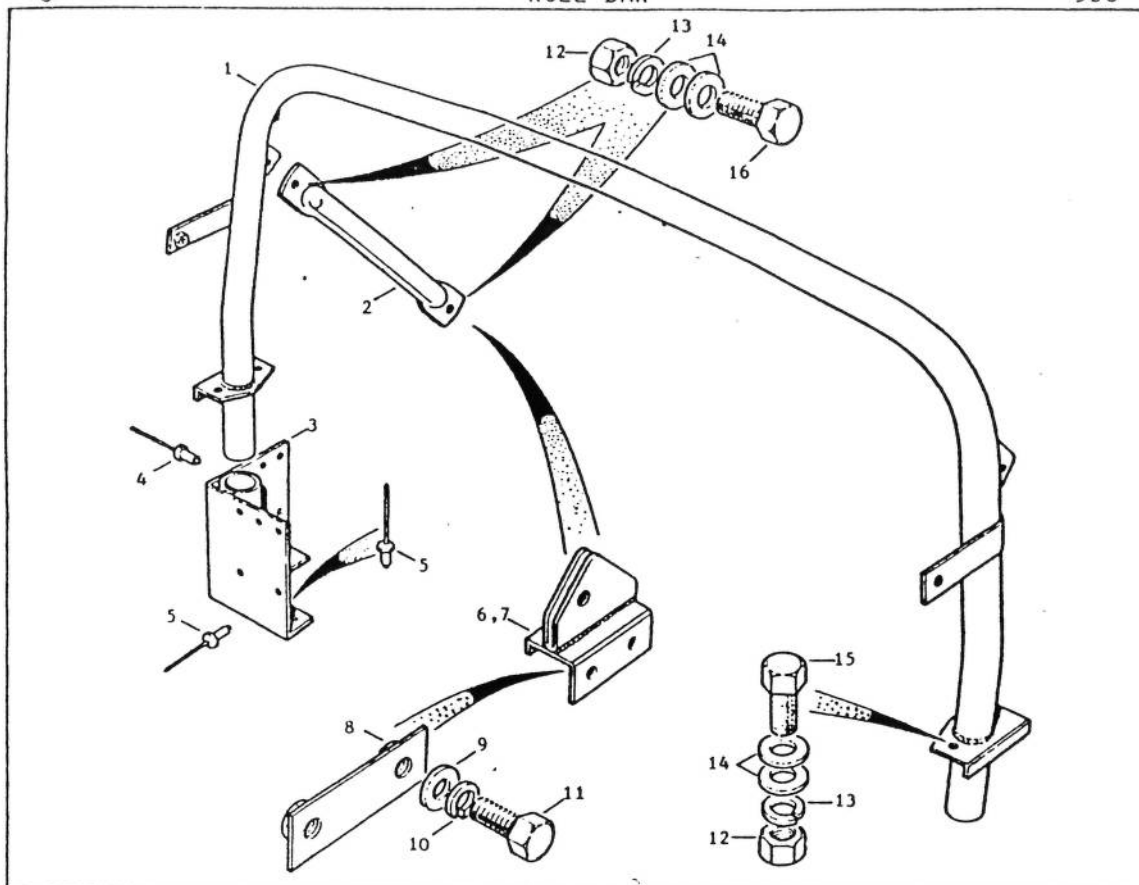
304

ILL NO	MSN	DESCRIPTION	QTY	R/L	NZMC
1	2540 99 850 1416	RAIL ASSY, CANOPY TOP	1	Y	330575
2	2510 99 827 8764	STIFFENER PANEL, DRAIN CHANNEL TOP, RH	1	Y	395925
3	2510 99 827 2238	PANEL, DRAIN, CHANNEL, TOP, LH	1	Y	395926
4	5310 98 105 5249	NUT, SELF LOCKING, HEX, STEEL, ISO METRIC, 6 MM, 1 MM PITCH	14	Y	4HF221
5	5310 99 977 1694	WASHER, FLAT, RD, STEEL, ZINC PLD, 6.40 MM ID, 19 MM OD, 1.60 MM THK	26	Y	3900
6	5305 99 135 0216	SCREW, MACHINE, PAN HD, SLOT DRIVE, ISO METRIC, 6 MM, 1 MM PITCH, 16 MM LG	2	Y	78208
7	2510 99 823 4977	SEAL, DOOR, VEHICULAR, SYN RUBBER, 711 MM LG, 22 MM W,	2	Y	395673
8	2510 99 828 2200	DRAIN CHANNEL, SIDE, RH	1	Y	395919
9	2510 99 829 4701	CHANNEL, DRAIN, SIDE, LH	1	Y	395920
10	2540 99 823 0218	SEAL, DOOR, 610 MM LG, 22 MM APPROX W	2	Y	395674
11	2510 99 850 1417	HOOK ASSY, FRT, RH APPLICATION	1	Y	330578
12	2510 99 850 1418	HOOK ASSY, FRT, LH APPLICATION	1	Y	330579
13	5320 99 970 3518	RIVET, BLIND, UNIVERSAL HD, AL, 0.187 IN NOM DIA, 0.437 IN NOM LG U/HD	32	Y	78248
14	5305 99 122 5361	SCREW, MACHINE, HEX HD, STEEL, ZINC PLD, ISO METRIC, 6 MM, 1 MM PITCH, 20 MM LG	12	Y	255206
15	5320 99 849 8638	RIVET, TUBULAR, MPP	22	Y	308517
16	2510 99 850 1421	PLATE, ADJUSTMENT, TOP DRAIN CHANNEL, RH	1	Y	330622
17	2510 99 850 1422	PLATE, ADJUSTMENT, TOP DRAIN CHANNEL, LH	1	Y	330623
18	2540 99 829 1057	PLATE, PROTECTION, AL ALLOY, RH	1	Y	345821
19	2540 99 829 1058	PLATE, PROTECTION, AL ALLOY, LH	1	Y	345822
20	5305 99 901 9736	SCREW, TAPPING, THD FORMING, PAN HD, SLOT DRIVE, STEEL, CAD PLD, NO 6, 0.375 IN LG	4	Y	AB606031
21	5330 99 850 1934	SEAL, RUBBER STRIP, WINDSCREEN TO DRAIN CHANNEL	2	Y	332605
22	2540 99 824 6204	STAPLE, HOOD STRAP	2	Y	395143
23	5320 99 120 9002	RIVET, BLIND, UNIVERSAL HD, AL, 0.187 IN NOM DIA, 0.562 IN NOM LG, U/HD	4	Y	78410
24	2540 99 850 1664	PAD, CUSHIONING, RUBBER AND CANVAS, 4 IN LG, 1.250 IN W, 0.187 IN THK	1	Y	332550



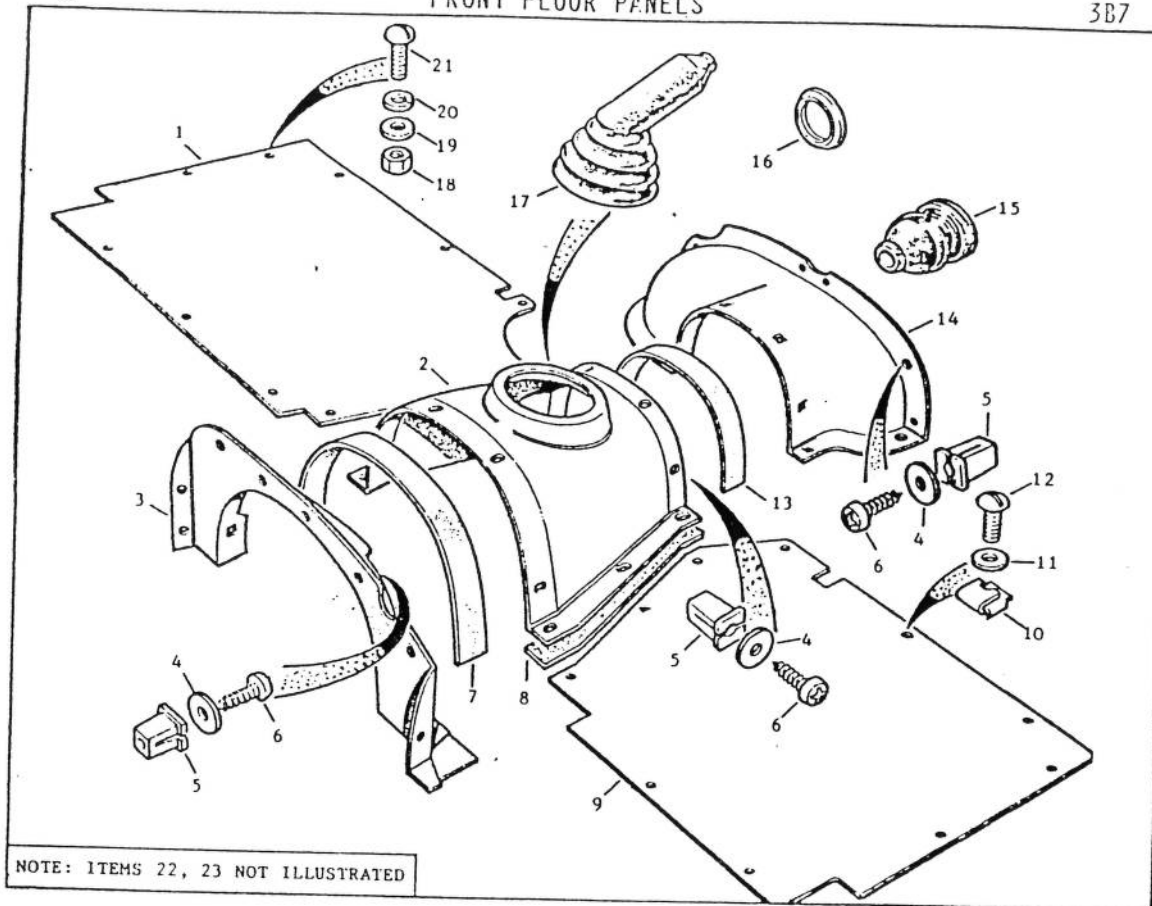
325

ILL NO	NSN	DESCRIPTION	QTY	R/L	NZMC
1	2540 99 845 0206	TIE TUBE	4	X	330896
2	5310 99 136 9450	NUT, PLAIN, SQ, STEEL, ZINC PLD, 0.250 IN 28 UNF	6	X	78205
3	5305 99 941 1755	SCREW, MACHINE, FLAT DSK HD, STEEL, ZINC PLD, 0.250 IN 28 UNF, 1.750 IN LG	6	X	78303
4	5310 99 941 3524	NUT, SELF LOCKING, HEX, STEEL, ZINC PLD, 0.250 IN 28 UNF	6	X	GHF221
5	2510 99 820 7532	HOOK, ROPE	2	Y	345699
6	5320 99 137 9221	RIVET, SOLID, RD HD, AL, 0.187 IN DIA, 0.562 IN LG	4	Y	302186
7	5320 99 120 9002	RIVET, BLIND, UNIVERSAL HD, AL, 0.187 IN NOM DIA, 0.562 IN NOM LG U/HD	4	Y	78410
8	2540 99 850 1409	RAIL, CANOPY, STEEL, GALVANISED, CURVED	1	X	330553
9	2540 99 824 6204	STAPLE, HOOD STRAP	2	Y	395143
10	2540 99 849 8380	BRACKET, CLAMPING, HOOD STICK	4	X	304301
11	5305 99 941 0527	SCREW, MACHINE, HEX HD, 8 STEEL, ZINC PLD, 0.312 IN 24 UNF, 1 IN LG	4	X	GHF103
12	5310 99 941 8386	WASHER, FLAT, RD, STEEL, 0.312 IN NOM BOLT SIZE, 0.625 IN OD, 0.072 IN THK	4	X	RTC613
13	5310 99 136 1515	NUT, PLAIN, HEX, STEEL, ZINC PLD, 0.312 IN 24 UNF	4	X	GHF201
14	5310 99 941 6655	WASHER, LOCK, SPLIT HELICAL RING, STEEL, 0.312 IN NOM BOLT SIZE, 0.500 IN OD, 0.078 IN THK	4	X	GHF332
15	2540 99 844 9578	RAIL, CANOPY, STEEL, GALVANISED, CURVED	1	X	330699
16	5305 99 122 3362	SCREW, MACHINE, HEX HD, STEEL, ZINC PLD, ISO METRIC, 6 MM, 1 MM PITCH, 25 MM LG	4	X	6R106201
17	5310 99 137 9232	WASHER, LOCK, SPLIT HELICAL RING, STEEL, ZINC PLD, 6 MM NOM HOLE SIZE, 9.60 MM OD, 1.50 MM THK	4	X	HL106001
18	2510 99 850 1417	HOOK ASSY, REAR, RH APPLICATION	1	Y	330578
19	2510 99 850 1418	HOOK ASSY, REAR, LH APPLICATION	1	Y	330579
20	5320 99 970 3518	RIVET, BLIND, UNIVERSAL HD, AL, 0.187 IN NOM DIA, 0.437 IN NOM LG U/HD	4	Y	78248
21	2540 99 850 1408	RAIL, CANOPY, STEEL, GALVANISED, CURVED	1	X	330551



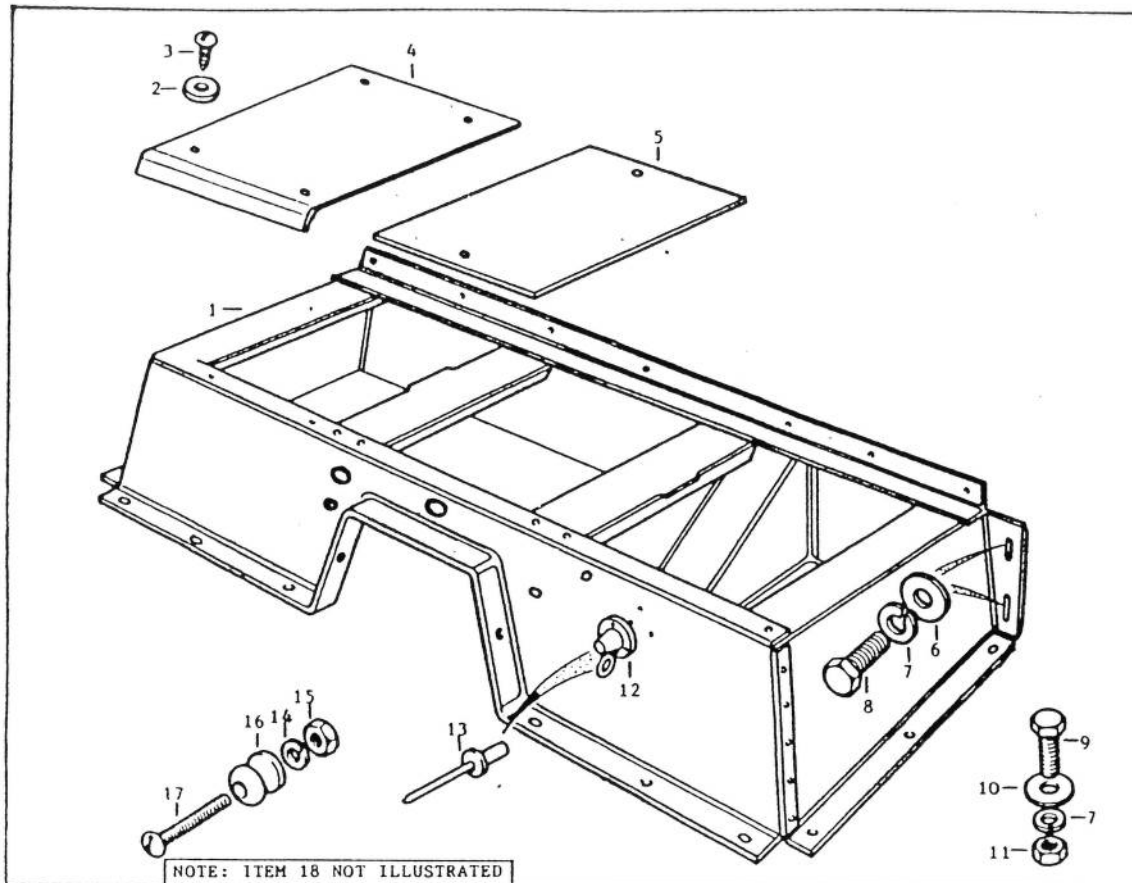
106

ILL NO	NSN	DESCRIPTION	QTY	R/L	NZMC
1	2510 98 856 3592	ROLL BAR ASSY,	1	Y	MTC4211
2	2510 98 856 3596	REAR STAY,	2	Y	MTC 5516
3	2510 98 856 3595	BRACKET, MOUNTING, LOWER	2	Z	MTC 5515
4	5320 99 941 7280	RIVET, BLIND, UNIVERSAL HD, MONEL, CAD PLTD, 0.187 IN DIA, 0.390 IN LG, BREAK STEM TYPE	6	Z	
5	5320 99 941 7279	RIVET, BLIND, UNIVERSAL HD, MONEL, CAD PLTD, 0.187 IN DIA, 0.328 IN LG, BREAK STEM TYPE	22	Z	
6	2510 98 856 3597	BRACKET, MOUNTING, REAR STAY, L/H	1	Y	MTC5517
7	2510 98 856 3598	BRACKET, MOUNTING, REAR STAY, R/H	1	Y	MTC5518
8	2510 98 856 3599	NUT PLATE ASSY,	2	Y	MTC5519
9	5310 99 122 6476	WASHER, FLAT, RD, STEEL, ZINC PLTD, 10 MM NOM BOLT SIZE, 21 MM OD, 2 MM THK	4	Y	
10	5310 99 135 4103	WASHER, LOCK, STEEL, SPLIT HELICAL RING, 10 MM BOLT SIZE, 15.900 MM OD, 2.500 MM THK	4	Y	
11	5305 99 122 4909	SCREW, MACHINE, HEX HD, STEEL, ZINC PLTD, ISO METRIC, 10 MM, 1.500 MM PITCH, 20 MM LG	4	Y	
12	5310 99 122 5296	NUT, PLAIN, HEX, STEEL, ZINC PLTD, ISO METRIC, 8 MM, 1.250 MM PITCH, GRADE 8	8	Y	
13	5310 99 137 9231	WASHER, LOCK, SPLIT HELICAL RING, STEEL, ZINC PLTD, 8 MM NOM HOLE SIZE, 14.850 .. OD, 2 MM THK	8	Y	
14	5310 99 122 6475	WASHER, FLAT, RD, STEEL, SINC PLTD, 8 MM NOM BOLT SIZE, 21 MM OD, 2 MM THK	16	Y	
15	5305 99 122 5367	SCREW, MACHINE, HEX HD, STEEL, ZINC PLTD, 8 MM, 1.250 PITCH, 25 MM LG	4	Y	
16	5305 99 122 5368	SCREW, MACHINE, HEX HD, STEEL, ZINC PLTD, ISO METRIC, 8 MM, 1.250 MM PITCH, 30 MM LG	4	Y	



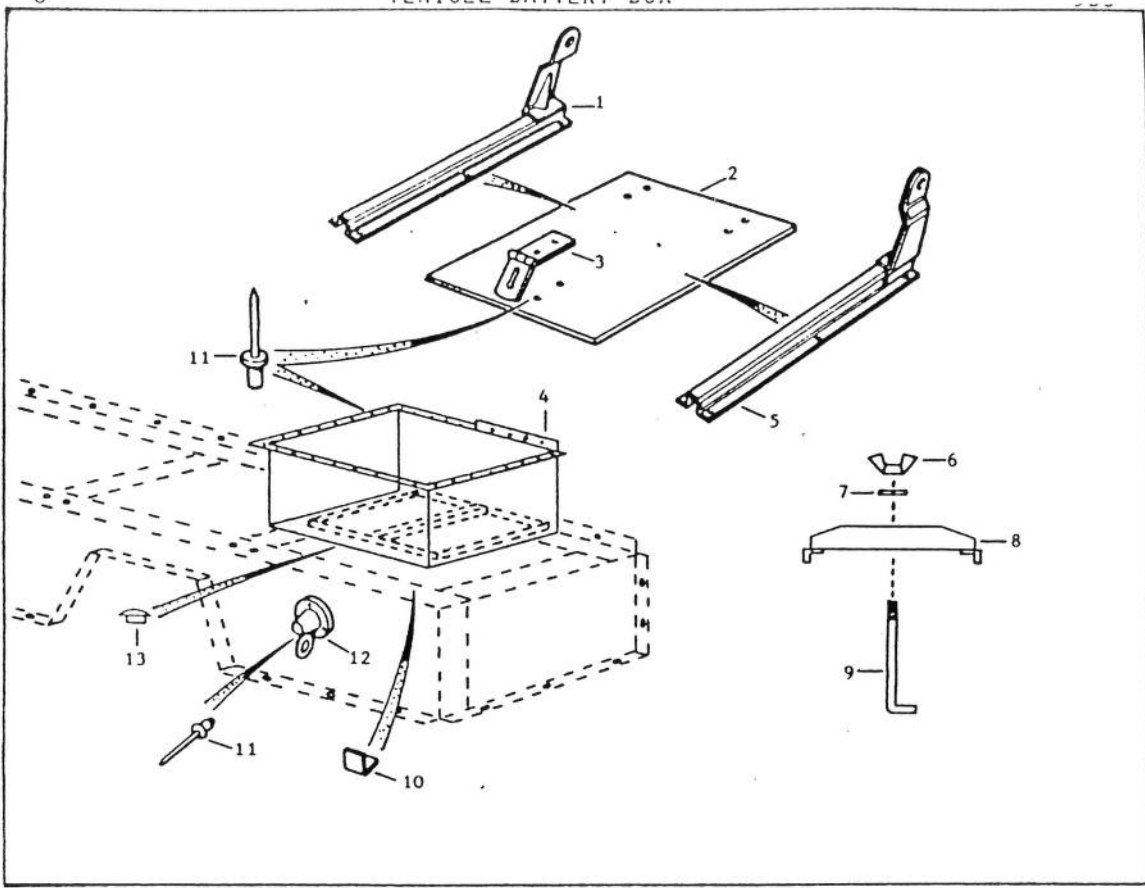
3B7

ILL NO	NSN	DESCRIPTION	QTY	R/L	NZMC
1	2510 98 856 3548	PLATE, FLOOR, R/H FRONT			
2	2520 98 856 3567	TUNNEL, GEARBOX	1	Y	MRC3574
3	2520 98 856 3569	PANEL, DIAPHRAGM, GEARBOX	1	Y	MRC3355
4	5310 99 941 6866	WASHER, FLAT, RD, STEEL, CAD PLTD, NO 2BA NOM BOLT SIZE, 0.500 IN OD, 0.048 IN THK	1	Y	MRC5357
5	5310 99 137 6550	NUT, ANCHOR, SQUARE, NYLON, FOR NO 10 DRIVE SCREW, 0.375 IN SQ, 0.765 IN SQ	27	X	WC106041
6	5305 99 135 2352	SCREW, TAPPING, THD FORMING, PAN HD, SLOT DRIVE, STEEL, CAD PLTD, NO 14, 0.750 IN LG	27	X	GHF1002
7	5330 98 856 3551	SEAL, TUNNEL, FRONT			
8	5330 98 856 3553	SEAL, TUNNEL, SIDE	1	Y	MRC3609
9	2510 98 856 3549	PLATE, FLOOR, L/H FRONT	2	Y	MRC3611
10	5310 99 822 1324	NUT, SPECIAL, MPP	1	Y	MRC3575
11	5310 99 134 1989	WASHER, FLAT, RD, STEEL, CAD PLTD, 0.250 IN NOM BOLT SIZE, 1 IN OD, 0.064 IN THK	6	X	19246
12	5305 99 123 7828	SCREW, PANEL FASTENER, STEEL, BUTTON HD, ZINC OR CAD PLTD, 0.250 IN 12 ACME, 0.781 IN LG	6	X	WC106041
13	5330 98 856 3552	SEAL, TUNNEL, REAR			
14	2520 98 856 3568	COVER, TRANSFER CASE TUNNEL	1	Y	MRC3610
15	5330 98 856 3554	SEAL, TRANSFER LEVER	1	Y	MRC3356
16	5325 98 856 3344	PLUG, TRANSFER LEVER HOLE	1	X	MRC3613
17	5330 98 856 3564	SEAL, MAIN GEAR LEVER	1	X	338026
18	5310 99 804 7941	NUT, PLAIN, HEX, STEEL, ZINC PLTD, 0.250 IN 28 UNF	1	X	MRC4857
19	5310 99 849 8006	WASHER, FLAT	4	X	GHF812
20	5310 99 941 6654	WASHER, LOCK, SPLIT HELICAL RING, STEEL, 0.250 IN BOLT SIZE, 0.425 IN OD, 0.072 IN THK	8	X	WC106001
21	5305 99 849 8616	SCREW, MACHINE, BUTTON HD, SLOT DRIVE, STEEL, ZINC PLTD, 0.250 IN 28 UNF, 0.750 IN LG	4	X	5E106201
22	2540 98 856 3561	COVER, FIREWALL CENTRE	1	Y	MRC7044
23	2540 98 856 3579	COVER, GEARBOX TUNNEL	1	Y	MRC4447



388

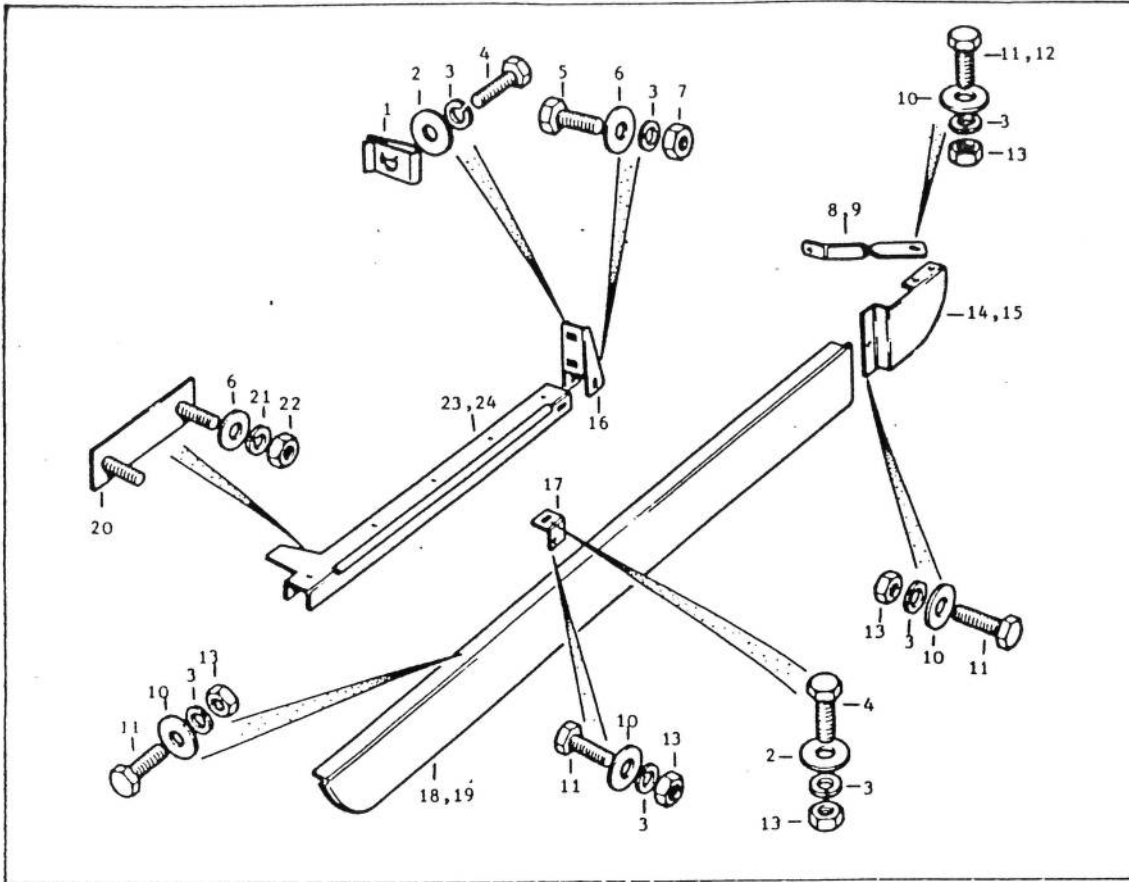
ILL NO	NSN	DESCRIPTION	QTY	R/L	NZMC
1	2540 98 856 3593	SEAT BASE ASSEMBLY	1	Z	MRC7173
2	5310 99 137 6726	WASHER, FLAT, RD, STEEL, SHERADIZED FINISH, 2 BA NOM BOLT SIZE, 0.625 IN OD, 0.031 IN THK	6	X	4084
3	5305 99 124 8120	SCREW, TAPPING, THREAD FORMING, STEEL, PAN NO 2 HD, SLOT DRIVE, DOG POINT, CAD PLD, NO 10 X 0.625 IN LG	6	X	AB610051
4	NOTPROVIDED	PANEL, COVER, SEAT BASE	1		
5	NOTPROVIDED	PANEL, COVER, SEAT BASE	1		
6	5310 99 829 2295	WASHER, FLAT, STEEL, 0.250 IN ID, 0.875 IN OD, 0.062 IN THK	4	Z	WP8019
7	5310 99 941 6654	WASHER, LOCK, SPLIT HELICAL RING, STEEL, 0.250 IN BOLT SIZE, 0.425 IN OD, 0.072 IN THK	19	Z	GHF331
8	5305 99 941 0512	SCREW, MACHINE, UNF, S STEEL, HEX HD, ZN PLD, 0.250 X 0.625 IN LG, CLASS 2A THD	4	Z	255206
9	5305 99 941 0513	SCREW, MACHINE, HEX HD, STEEL, ZINC PLD, 0.250 IN, 28 UNF, 0.375 IN LG	11	Z	255207
10	5310 99 120 4032	WASHER, FLAT, RD, STEEL, ZINC PLD, 0.250 IN NOM BOLT SIZE, 0.562 IN OD, 0.056 IN THK	11	Z	RTC609
11	5310 99 804 7941	NUT, PLAIN, HEX, STEEL, ZINC PLD, 0.250 IN, 28 UNF	15	Z	9HF200
12	2540 99 805 8676	CATCH, LOCKER LID, 1.750 IN DIA BODY, 0.203 IN DIA HOLES ON 1.250 IN PCO, 0.500 IN DIA SWIVEL EYE	1	Y	334525
13	5320 99 970 3518	RIVET, BLIND, AL, UNIVERSAL HD, 0.187 IN NOM DIA, 0.437 IN NOM LG	3	Y	78248
14	5310 99 941 6653	WASHER, LOCK, SPLIT HELICAL RING, STEEL, 0.187 IN NOM BOLT SIZE, 0.330 IN OD, 0.064 IN THK	1	X	WM702001
15	5310 99 941 7070	NUT, PLAIN, HEX, STEEL, CAD PLD, NO 2 BA	1	X	RTC608
16	5325 99 805 4996	STUD, SNAP FASTENER, ZINC PLD, 0.500 IN DIA HD	1	X	348430
17	5305 99 941 9086	SCREW, MACHINE, BA, STEEL, FLAT FILLISTER HEAD, SLOT DR, CAD PLD, NO 2 X 1 IN LG, NORMAL CLASS THD	1	X	78120
18	2530 98 856 3400	PLUG, BLANKING (HAMBROKE APERTURE)	1	X	AFU1174



389

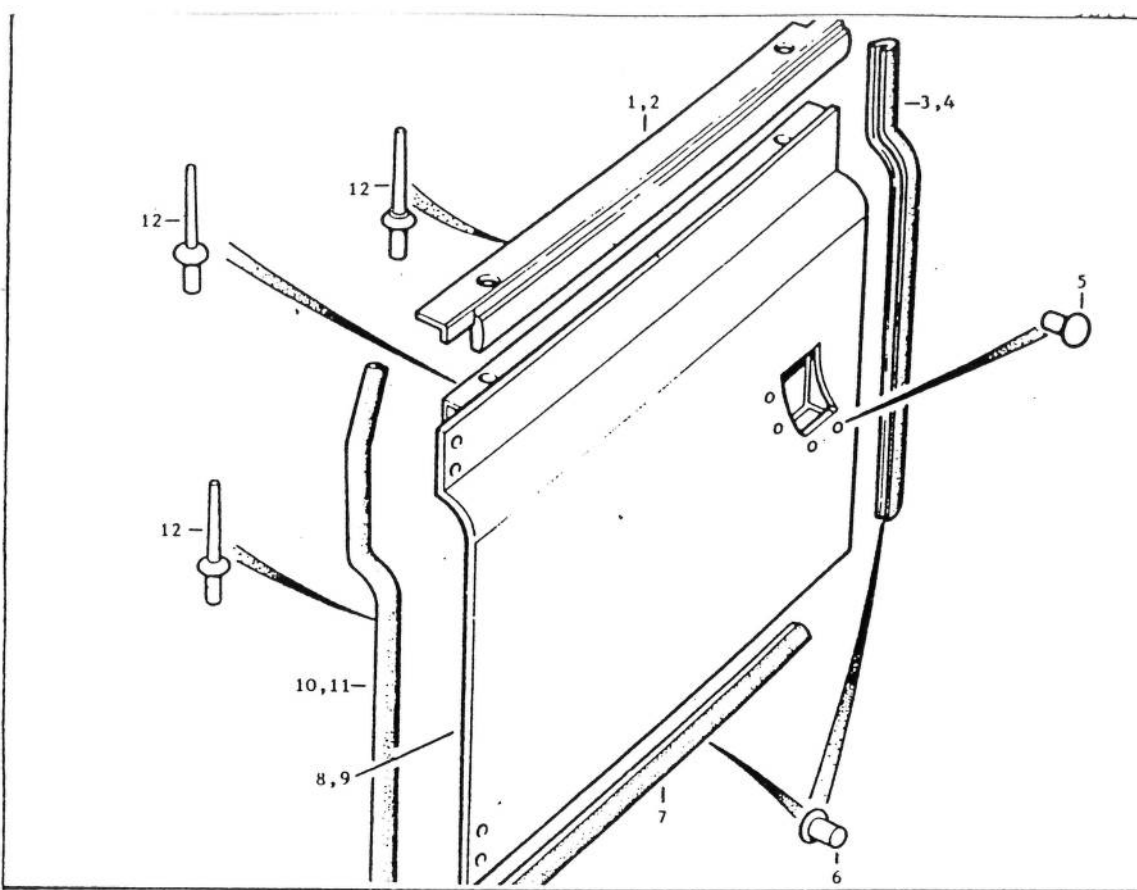
ILL NO	KSN	DESCRIPTION	QTY	R/L	NZMC
1	2540 99 850 1449	SUPPORT ASSY, SEAT, R/H	1	Y	331007
2	2540 98 856 3594	COVER ASSY, BATTERY	1	Y	HIC4700
3	5340 99 874 0290	HASP, HINGED, STEEL, SINGLE, NON SAFETY, 6.313 IN O/A LG, 1.250 IN LG HINGE JOINT	1	Y	334523
4	2540 98 107 7684	BATTERY BOX ASSY,	1	Z	NZ2021
5	2540 99 850 1650	SUPPORT, SEAT ASSY, L/H	1	Y	331008
6	LOCALSOURCE	NUT, WING, 10 MM, 1.500 MM PITCH	1	I	
7	5310 99 122 6476	WASHER, FLAT, RD, ST, ZN/PLD, 10 MM NOM BOLT SIZE, 21 MM OD, 2 MM THK	1	I	
8	2540 98 107 7698	CLAMP, BATTERY	1	I	NZ2021-2
9	5306 98 107 7685	BOLT, 'J', C/W WING NUT	1	I	
10	5340 99 844 9774	BRACKET, ANGLE, STEEL	2	Y	331818
11	5320 99 970 3518	RIVET, BLIND, AL, UNIVERSAL HD, 0.187 IN NOM DIA, 0.437 IN NOM LG	36	Y	78248
12	2540 99 805 8676	CATCH, LOCKER LID, ST, 1.750 IN DIA BODY, 0.203 IN DIA HOLES ON 1.250 IN PCD, 0.500 IN DIA SHIVEL EYE	1	Y	934525
13	5325 98 857 4675	GROMMET, BLANK, RUBBER, DOME SHAPED, 17 MM ID, 24 MM OD	1	I	M88864

DRAWING
08026



3810

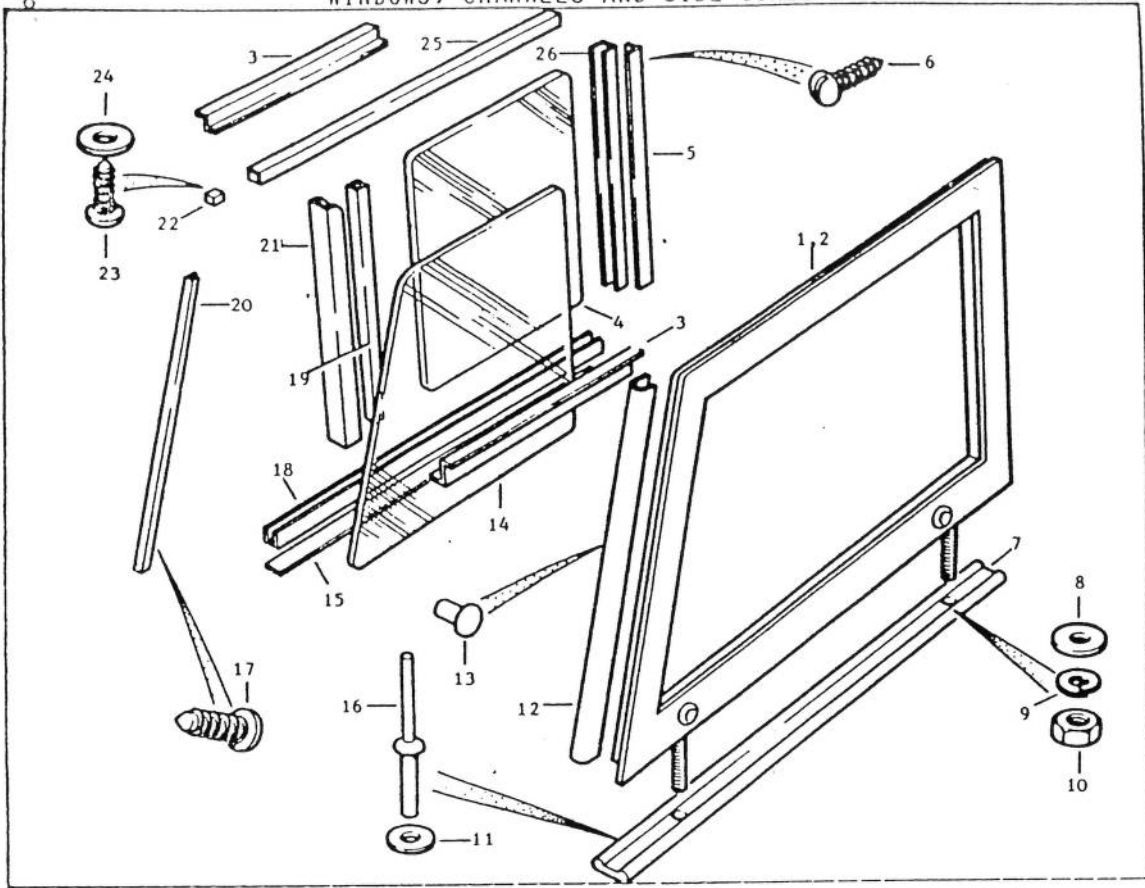
ILL NO	NSN	DESCRIPTION	QTY	R/L	NZMC
1	5310 99 624 8711	NUT, CLINCH, SQ, ZINC PLD, CHROMATE PASSIVATED	4	Z	79175
2	5310 99 829 2295	WASHER, FLAT, STEEL, 0.250 IN ID, 0.875 IN OD, 0.062 IN THK	12	Z	WP8019
3	5310 99 941 6654	WASHER, LOCK, SPLIT HELICAL RING, STEEL, 0.250 IN BOLT SIZE, 0.425 IN OD, 0.072 IN THK	36	Y	4HF331
4	5305 99 941 0513	SCREW, MACHINE, HEX HD, STEEL, ZINC PLD, 0.250 IN 28 UNF, 0.375 IN LG	8	Z	255207
5	5305 99 941 0525	SCREW, MACHINE, HEX HD, S STEEL, ZINC PLD, 0.312 IN 24 UNF, 0.750 IN LG	4	Z	6HF120
6	5310 99 941 0623	WASHER, FLAT, RD, STEEL, CAD PLD, 0.312 IN NOM BOLT SIZE, 0.625 IN OD, 0.072 IN THK	12	Z	RTC610
7	5310 99 941 0925	NUT, PLAIN, HEX, STEEL, ZINC PLD, 0.312 IN 24 UNF	4	Z	6HF201
8	2510 99 825 1040	STRUT, BODY PANEL R/H	1	Y	337771
9	2510 99 825 1041	STRUT, BODY PANEL L/H	1	Y	337772
10	5310 99 120 4032	WASHER, FLAT, RD, STEEL, ZINC PLD, 0.250 IN NOM BOLT SIZE, 0.562 IN OD, 0.056 IN THK	40	Y	RTC609
11	5305 99 941 5012	SCREW, MACHINE, HEX HD, S STEEL, ZINC PLD, 0.250 IN 28 UNF, 0.625 IN LG	22	Y	255206
12	5305 99 850 1349	SCREW, MACHINE, BUTTON HD, SLOT DRIVE, STEEL, ZINC PLD, 0.250 IN 28 UNF, 0.625 IN LG	2	Y	79208
13	5310 99 804 7941	NUT, PLAIN, HEX, STEEL, ZINC PLD, 0.250 IN 28 UNF	28	Y	6HF200
14	2510 99 824 3033	SILL PANEL, RH REAR	1	Y	347018
15	2510 99 824 3034	SILL PANEL, LH REAR	1	Y	347019
16	2510 99 825 1042	BRACKET, SILL	2	Z	347436
17	2510 99 825 1039	BRACKET, SILL CHANNEL	4	Z	337774
18	2510 99 824 3031	SILL PANEL, RH FRONT	1	Y	337942
19	2510 99 824 3032	SILL PANEL, LH FRONT	1	Y	337943
20	5306 99 829 5213	BOLT ASSY, PLATE, SHERADIZED, 3.125 IN LG, 0.750 IN W, C/W 2 BOLTS 0.312 IN 24 UNF	2	Z	MRC2481
21	5310 99 941 6655	WASHER, LOCK, SPLIT HELICAL RING, STEEL, 0.312 IN BOLT SIZE, 0.500 IN OD, 0.078 IN THK	4	Z	4HF832
22	5310 99 941 0925	NUT, PLAIN, HEX, STEEL, ZINC PLD, 0.312 IN 24 UNF	4	Z	6HF201
23	2510 99 850 1314	SILL CHANNEL ASSY, RH APPLICATION	1	Z	330880
24	2510 99 850 1315	SILL CHANNEL ASSY, LH APPLICATION	1	Z	330881



3B11

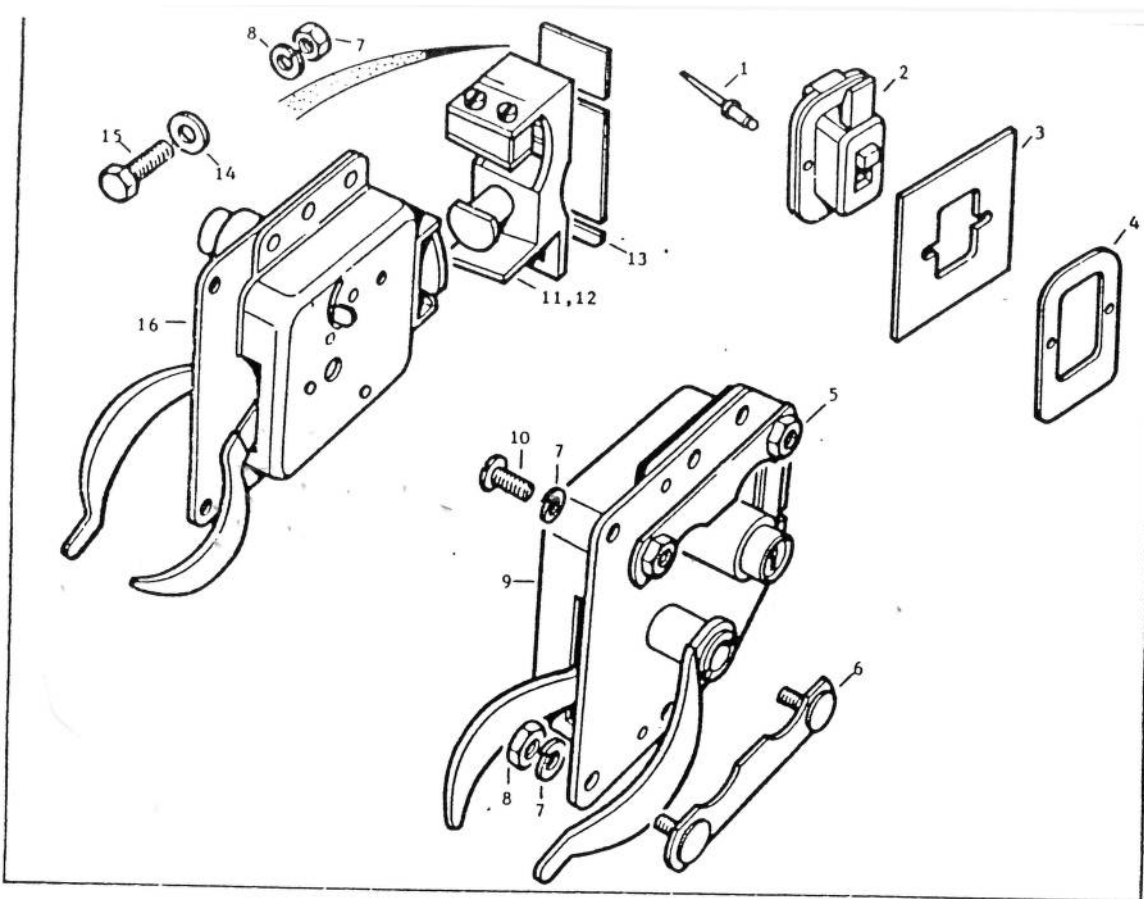
ILL NO	NSN	DESCRIPTION	QTY	R/L	NZMC
1	2510 99 849 8660	CAPPING, FRONT DOOR, TOP, RH	1	Y	330122
2	2510 99 849 9866	CAPPING, FRONT DOOR, TOP, LH	1	Y	330123
3	2510 99 828 4096	SEAL, DOOR, VEHICULAR, SYN RUBBER, 620 MM APPROX LG, R/H	1	Y	395670
4	2510 99 823 7296	SEAL, DOOR, VEHICULAR, SYN RUBBER, 620 MM APPROX LG, L/H	1	Y	395671
5	5320 99 433 2282	RIVET, SOLID, BUTTON HD, AL, 0.187 IN DIA, 0.312 IN LG	8	Y	302222
6	5320 99 433 5233	RIVET, TUBULAR, OVAL, STEEL, 0.187 IN DIA, 0.375 IN LG	42	Y	78321
7	2510 99 850 1405	WEATHERSTRIP, DOOR SILL, BOTTOM	2	Y	MRC5740*
8	2510 99 822 7703	DOOR, ACCESS, VEHICULAR, FRONT RH	1	Y	395529
9	2510 99 822 7702	DOOR, ACCESS, VEHICULAR, FRONT LH	1	Y	395530
10	5330 99 823 4544	SEAL, DOOR, RH	1	Y	395598
11	5330 99 823 4545	SEAL, DOOR, LH	1	Y	395599
12	5320 99 970 3518	RIVET, BLIND, UNIVERSAL HD, AL, 0.187 IN NOM DIA, 0.437 IN NOM LG U/HD	24	Y	78248

* Also MRC5741



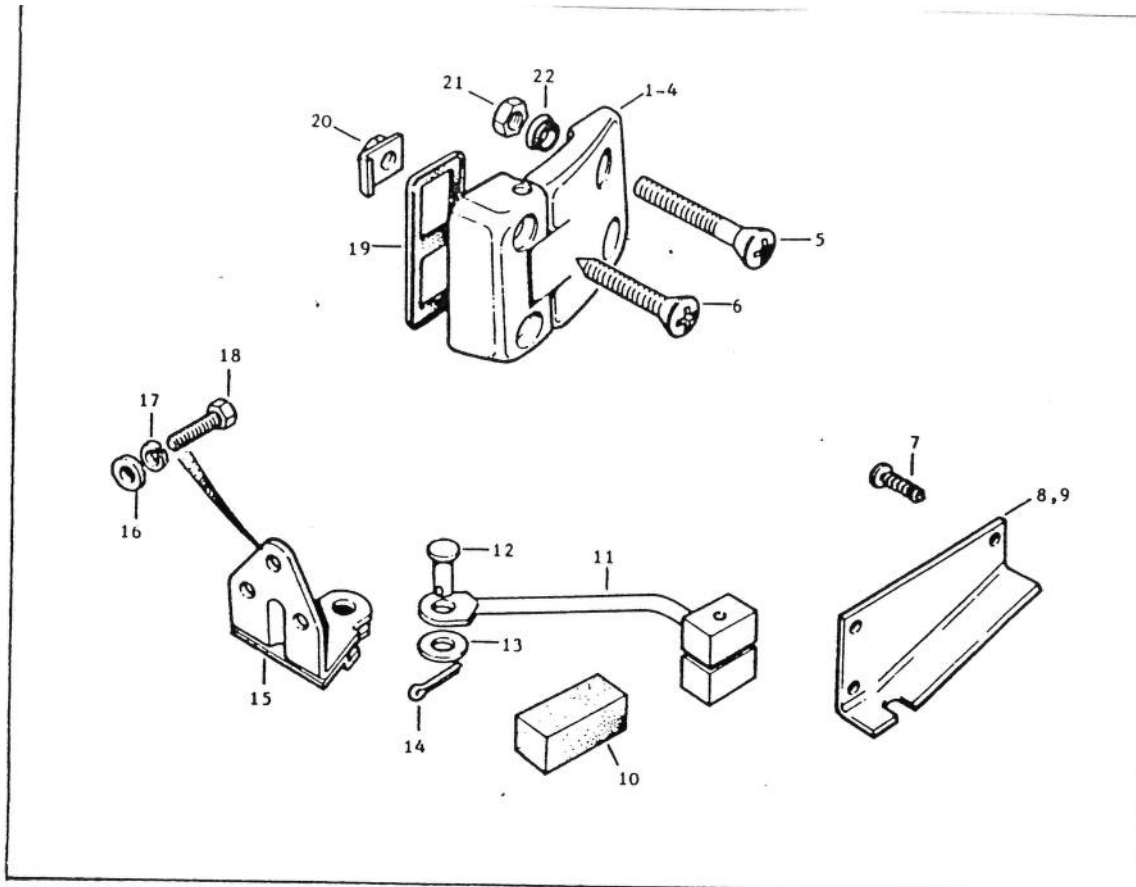
3812

ILL NO	MSN	DESCRIPTION	QTY	R/L	NZMC
1	2510 98 856 0420	SIDESCREEN ASSY, RH DOOR	1	Y	MRC7215 (320853)
2	2510 98 856 0421	SIDESCREEN ASSY, LH DOOR	1	Y	MRC7216 (320854)
3	2510 99 849 8675	FILLER, SIDE SCREEN	4	Y	330202
4	2510 98 856 0419	WINDOW, SIDESCREEN, SLIDING	2	Y	MRC6512 (MTC5305)
5	2590 99 849 8676	REINFORCEMENT CHANNEL	2	Y	330203
6	5305 99 121 4841	SCREW, TAPPING, THD FORMING, FLAT CSK HD, SLOT DRIVE, STEEL, CAD PLD, NO 6, 0.500 IN LG	26	Y	AC606041
7	5330 99 201 9159	RUBBER, SPECIAL SHAPED SECTION	2	Y	330163
8	5310 99 971 2810	WASHER, FLAT, RD, STEEL, CAD PLD, 0.437 IN ID, 0.875 IN OD, 0.048 IN THK	4	X	RTC611
9	5310 99 941 6657	WASHER, LOCK, SPLIT HELICAL RING, 0.437 IN NOM BOLT SIZE, 0.677 IN OD, 0.104 IN THK	4	X	NM600071
10	5310 99 136 1517	MUT, PLAIN, HEX, STEEL, ZINC PLD, 0.437 IN 20 UNF	4	X	NH607041
11	5310 99 952 1024	WASHER, FLAT, RD, STEEL, CAD PLD, 0.270 IN ID, 0.562 IN OD, 0.036 IN THK	10	Y	RTC617
12	5330 99 823 8392	SEAL, DOOR, FRONT UPPER	2	Y	395672
13	5320 99 433 5233	RIVET, TUBULAR, STEEL, OVAL, 0.187 IN DIA, 0.375 IN LG	8	Y	78321
14	2510 98 856 0418	WINDOW, FIXED, FRONT	2	Y	MRC6511 (MTC5304)
15	2510 99 824 8454	PACKING, WEATHER STRIP	2	Y	346460
16	5320 99 970 3518	RIVET, BLIND, UNIVERSAL HD, AL, 0.187 IN NOM DIA, 0.437 IN NOM LG U/HD	10	Y	78248
17	5305 99 121 3928	SCREW, TAPPING, THD FORMING	10	Y	AB606031
18	2510 99 824 4511	CHANNEL, WINDOW PANEL	2	Y	347488
19	5330 99 850 1423	RUBBER, SPECIAL SHAPED SECTION, SYN	2	Y	330660
20	2510 99 849 8671	RETAINER, FIXED, WINDOW SIDE SCREEN	2	Y	330198
21	2510 99 850 1424	CHANNEL, SEALING, RUBBER, SLIDING WINDOW	2	Y	330661
22	2510 99 849 8669	BUMPER, RUBBER, SYN, 0.437 IN L, 0.437 IN W, 0.500 IN H	2	Y	330162
23	5305 99 135 2339	SCREW, TAPPING, THD FORMING, PAN HD, SLOT DRIVE, STEEL, CAD PLD, NO 6, 0.750 IN LG	2	Y	AB606071
24	5310 99 941 6869	WASHER, FLAT, RD, STEEL, CAD PLD, NO 4 BA BOLT SIZE, 0.296 IN OD, 0.031 IN THK	2	Y	WA703081
25	2510 99 845 0225	CHANNEL, WINDOW LIGHT	2	Y	336451
26	2510 99 845 0247	CHANNEL, WINDOW LIGHT	2	Y	336454



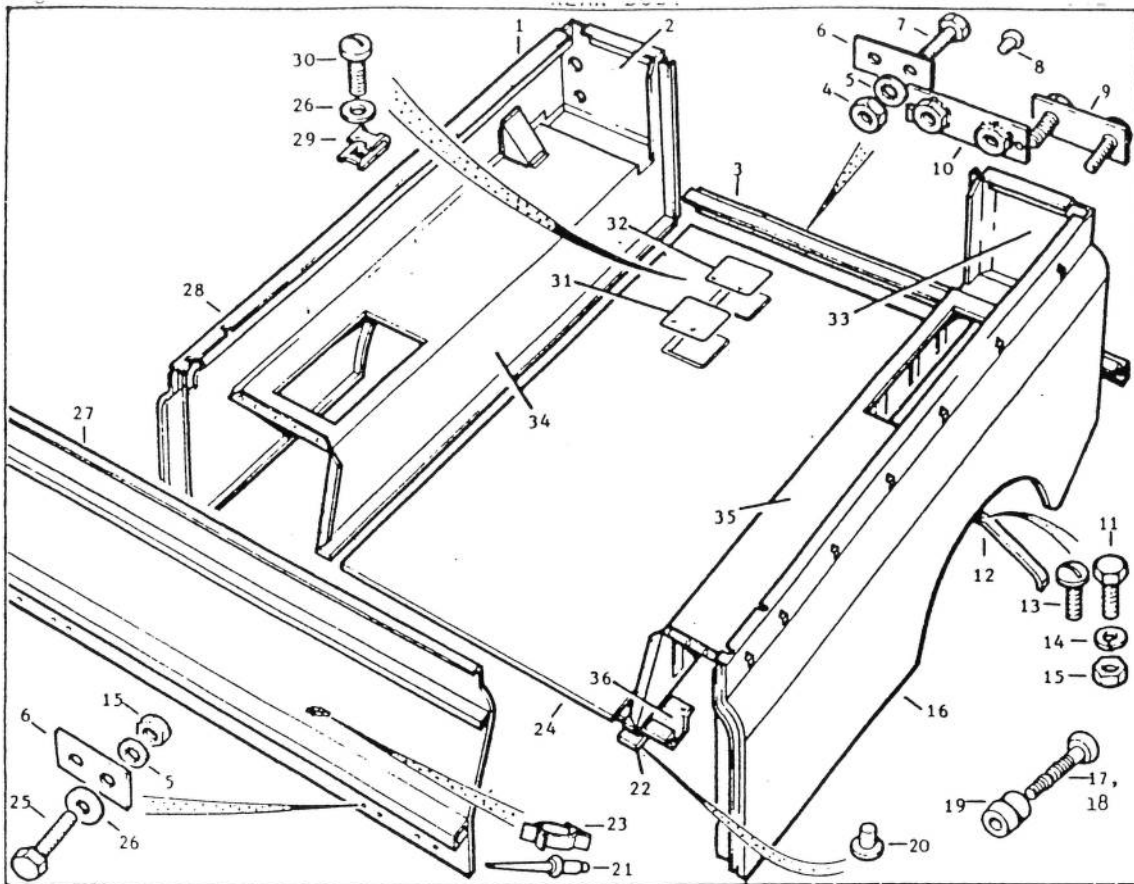
3813

ILL NO	MSN	DESCRIPTION	QTY	R/L	NZMC
1	5320 99 105 0876	RIVET, BLIND, FLUSH CSK HD, AL, 0.125 IN NOM DIA, 0.343 IN NOM LG U/HD	4	Y	18248
2	2540 99 825 0232	CATCH ASSY, WINDOW SIDE SCREEN	2	Y	347322
3	2540 99 825 4655	MASK, WINDOW CATCH, PLASTIC	2	Y	349772
4	2540 99 825 4654	SEAL, WINDOW CATCH, PLASTIC	2	Y	347526
5	2540 99 A23 0826	RETAINER NUT ASSY, SCREW RETAINER PLATE, DOOR LOCK, UPPER	2	I	MRC9417
6	2540 99 805 4575	RETAINER, SCREW, DOOR LOCK, BOTTOM	2	I	MRC9416
7	5310 99 941 6654	WASHER, LOCK, SPLIT HELICAL RING, STEEL, 0.250 IN BOLT SIZE, 0.425 IN OD, 0.072 IN THK	12	I	WL106001
8	5310 99 804 7941	NUT, PLAIN, HEX, STEEL, ZINC PLD, 0.250 IN 28 UNF	8	I	GHF212
9	5340 99 828 9707	LOCK RIM, ANTIBURST, INSIDE LOCKING, LH	1	I	395038 (395042)
10	5305 99 941 8118	SCREW, MACHINE, PAN HD, SLOT DRIVE, STEEL, ZINC PLD, 0.250 IN 28 UNF, 0.500 IN LG	4	I	SE106161
11	2540 99 825 4658	PLATE ASSY, STRIKER, LOCK, RH	1	I	395294
12	2540 99 825 4659	PLATE ASSY, STRIKER, LOCK, LH	1	I	395295
13	2540 99 825 4657	PACKING, STRIKER BASE, LOCK, AL, D/A LB, 30 MM W	2	I	395078
14	5310 99 120 4032	WASHER, FLAT, RD, STEEL, ZINC PLD, 0.250 IN NOM BOLT SIZE, 0.562 IN OD, 0.056 IN THK	4	I	RTC609
15	5305 99 941 0513	SCREW, MACHINE, HEX HD, STEEL, ZINC PLD, 0.250 IN 28 UNF, 0.750 IN LG	4	I	255207
16	5340 99 828 9706	LOCK, RIM, ANTIBURST, INSIDE LOCKING, RH	1	I	395037 (395041)



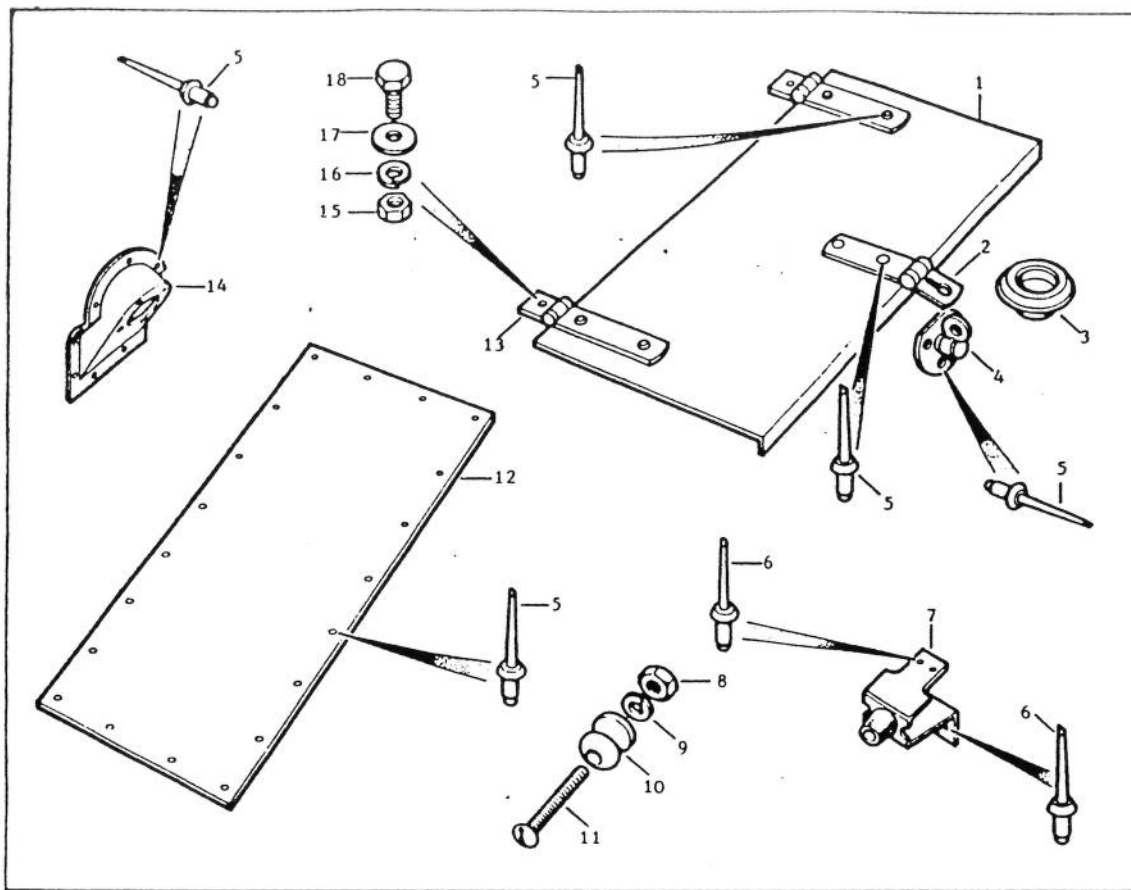
3C1

ILL NO	NSN	DESCRIPTION	QTY	R/L	NZMC
1	2510 99 829 7495	HINGE ASSY DOOR, RH, UPPER	1	X	HRC3037
2	2510 99 829 7496	HINGE ASSY, DOOR, LH UPPER	1	X	HRC3038
3	2510 99 824 8458	HINGE, DOOR, VEHICULAR, RH, LOWER	1	X	347362
4	2510 99 824 8459	HINGE, DOOR, VEHICULAR, LH, LOWER	1	X	347363
5	5305 99 941 1771	SCREW, MACHINE, FLAT CSK HD, SLOT DRIVE, STEEL, ZINC PLD, 0.312 IN 24 UNF, 2 IN LG	8	X	HRC2762
6	5305 99 824 8466	SCREW, SET, OVAL CSK HD, STEEL, CRD PLD, 0.312 IN 24 UNF, 1.562 IN LG	8	X	79221
7	5305 99 901 9736	SCREW, TAPPING, THD FORMING, PAN HD, CROSS RECESS DRIVE, STEEL, ZINC PLD, NO 6, 0.375 IN LG	12	Y	AB606031
8	2540 99 824 8618	RETAINER, SLIDE, CHECKSTRAP, RH	1	Y	346927
9	2540 99 824 8619	RETAINER, SLIDE, CHECK STRAP, LH	1	Y	346928
10	2510 99 824 8456	BUFFER, CHECK STRAP	2	Y	395481
11	2510 99 824 8455	STRAP ASSY, DOOR CHECK, ROD, RUNNER AND PIN	2	X	395538
12	5315 99 849 8614	PIN, STRAIGHT, HEADED, 0.312 IN DIA, 0.687 IN LONG UNDER HEAD	2	X	306564
13	5310 99 122 6475	WASHER, FLAT, RD, STEEL, ZINC PLD, 8 MM BOLT SIZE, 17 MM OD, 1.60 MM THK	2	X	4HF301
14	5315 99 138 2207	PIN, COTTER, SPLIT, STEEL, PHOS FIN, 2.50 MM DIA, 50 MM LG	2	X	2393
15	2510 99 824 8457	BRACKET, CHECK STRAP	2	Y	346878
16	5310 99 122 6474	WASHER, FLAT, RD, STEEL, ZINC PLD, 6 MM NOM BOLT SIZE, 12.50 MM OD, 1.60 MM THK	6	Y	4HF300
17	5310 99 941 6654	WASHER, LOCK, SPLIT HELICAL RING, STEEL, 0.250 IN BOLT SIZE, 0.425 IN OD, 0.072 IN THK	6	Y	4HF331
18	5305 99 941 0513	SCREW, MACHINE, HEX HD, STEEL, ZINC PLD, 0.250 IN 28 UNF, 0.750 IN LG	6	Y	255207
19	5330 99 824 8467	WASHER, SEATING, PLASTIC, 75 MM O/A LG, 29 MM W, 2 MM THK	4	X	347369
20	5310 99 138 5889	RETAINER, ASSEMBLED NUT, STEEL, ZINC PLD, 0.312 IN 24 UNF	8	X	HRC2178
21	5310 99 941 0925	NUT, PLAIN, HEX, STEEL, ZINC PLD, 0.312 IN 24 UNF	8	X	4HF201
22	2510 99 829 7487	WASHER, NYLON, 0.316 IN ID, 0.460 IN MAX LIP DIA, 0.130 IN THK	8	X	HRC1980



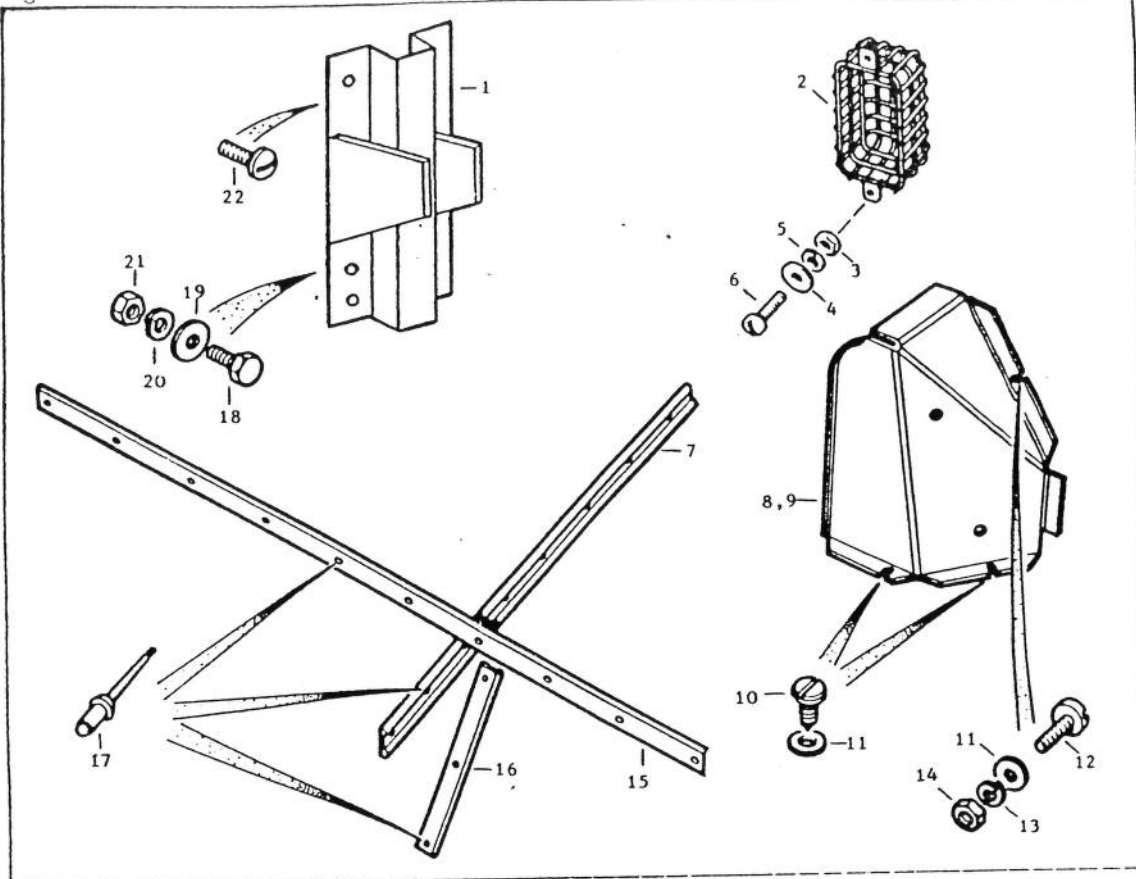
302

ILL NO	NSN	DESCRIPTION	QTY	R/L	NZMC
1	NOTPROVIDED	BODY, REAR, COMPLETE ASSY	1		320753
2	2510 99 825 3614	PANEL, BODY, VEHICULAR, REAR END PANEL, RH	1	Z	330248
3	2510 99 850 1693	MOUNTING ANGLE, REAR BODY	1	Z	333159
4	5310 99 941 0925	NUT, PLAIN, HEX, STEEL, ZINC PLD, 0.312 IN 24 UNF	18	Z	GHF201
5	5310 99 845 0084	WASHER, LOCK	30	Z	90510912
6	2510 99 844 9669	SHIM, REAR PILLAR	1	Z	305232
7	5305 99 941 0526	SCREW, MACHINE, HEX HD, STEEL, ZINC PLD, 0.312 IN 24 UNF, 0.875 IN LG	16	Z	5H605071
8	5320 99 138 7967	RIVET, SOLID, OVAL HD, STEEL, NICKEL PLD, 3.94 MM DIA, 12.70 MM LG	6	Z	21563
9	2510 99 845 0254	BOLT PLATE ASSY, REAR BODY MTG BRACKET	1	Z	336782
10	5310 99 829 6334	NUT PLATE ASSY, FRONT MOUNTING	3	Z	332451
11	5305 99 941 0512	SCREW, MACHINE, HEX HD, S STEEL, ZINC PLD, 0.250 IN 28 UNF, 0.625 IN LG	2	Y	855206
12	2510 99 850 1663	TIE BAR, REAR BODY	2	Y	332521
13	5305 99 850 1349	SCREW, MACHINE, BUTTON HD, SLOT DRIVE, STEEL, ZINC PLD, 0.250 IN 28 UNF, 0.625 IN LG	2	Y	76208
14	5310 99 941 6654	WASHER, LOCK, SPLIT HELICAL RING, STEEL, 0.250 IN BOLT SIZE, 0.425 IN OD, 0.072 IN THK	4	Y	GHF331
15	5310 99 804 7941	NUT, PLAIN, HEX, STEEL, ZINC PLD, 0.250 IN 28 UNF	6	Y	GHF200
16	2510 99 825 3609	PANEL, BODY, VEHICULAR, LH	1	Z	395703
17	5320 99 138 8823	PIN, RIVET, GROOVED	1	Z	79283
18	5320 99 138 8824	PIN, RIVET, GROOVED, FLUSH CSK HD	1	Z	79293
19	5320 99 137 6771	COLLAR PIN, RIVET	1	Z	79289
20	5320 99 001 7678	RIVET, BUTTON HD, SOLID COPPER, 0.187 IN DIA, 0.625 IN LG	24	Z	73979
21	5320 99 970 3518	RIVET, BLIND, UNIVERSAL HD, AL, 0.187 IN NOM DIA, 0.437 IN NOM LG U/HD	5	Y	78248
22	2510 99 850 1665	MOUNT, RESILIAN, REAR FLOOR CROSS MEMBER	12	Z	532582
23	5340 99 844 9595	CLIP, SPRING TENSION	5	Z	90508035
24	2510 99 835 4273	FLOOR PANEL ASSY, VEHICULAR, C/W TREAD PLATES, ANGLES AND STIFFENERS	1	Z	395699
25	5305 99 941 0513	SCREW, MACHINE, HEX HD, S STEEL, ZINC PLD, 0.250 IN 28 UNF, 0.750 IN LG	2	Z	255207
26	5310 99 849 8006	WASHER, FLAT, RD	8	Y	3900
27	2510 99 829 7980	PANEL ASSY, FRONT BULKHEAD	1	Z	395404
28	2510 99 828 8781	PANEL, BODY, VEHICULAR, RH	1	Z	395702
29	5310 99 822 1324	NUT, SPECIAL, HPP	4	Y	79246
30	5305 99 123 7828	SCREW, PANEL FASTENER, BUTTON HD, STEEL, ZINC/CAD PLD, 0.250 IN 12 ACME, 0.781 IN LG	4	Y	320045
31	NOTPROVIDED	PLATE, COVER, REAR FLOOR FRONT	1		395711
32	NOTPROVIDED	PLATE, COVER, REAR FLOOR REAR	1		395712
33	2510 99 825 3616	PANEL, BODY, VEHICULAR, REAR END PANEL, LH	1	Z	330249
34	2510 99 835 4272	PANEL, BODY, VEHICULAR, C/W SPOTWELD ASSY AND WHEEL ARCH BOX, RH	1	Z	395719
35	2510 99 829 7981	BODY ASSY, SIDE REAR, LH, WELDED ASSY	1	Z	395720
36	2510 99 849 8691	CROSS MEMBER AND PADS, REAR FLOOR	6	Z	330265



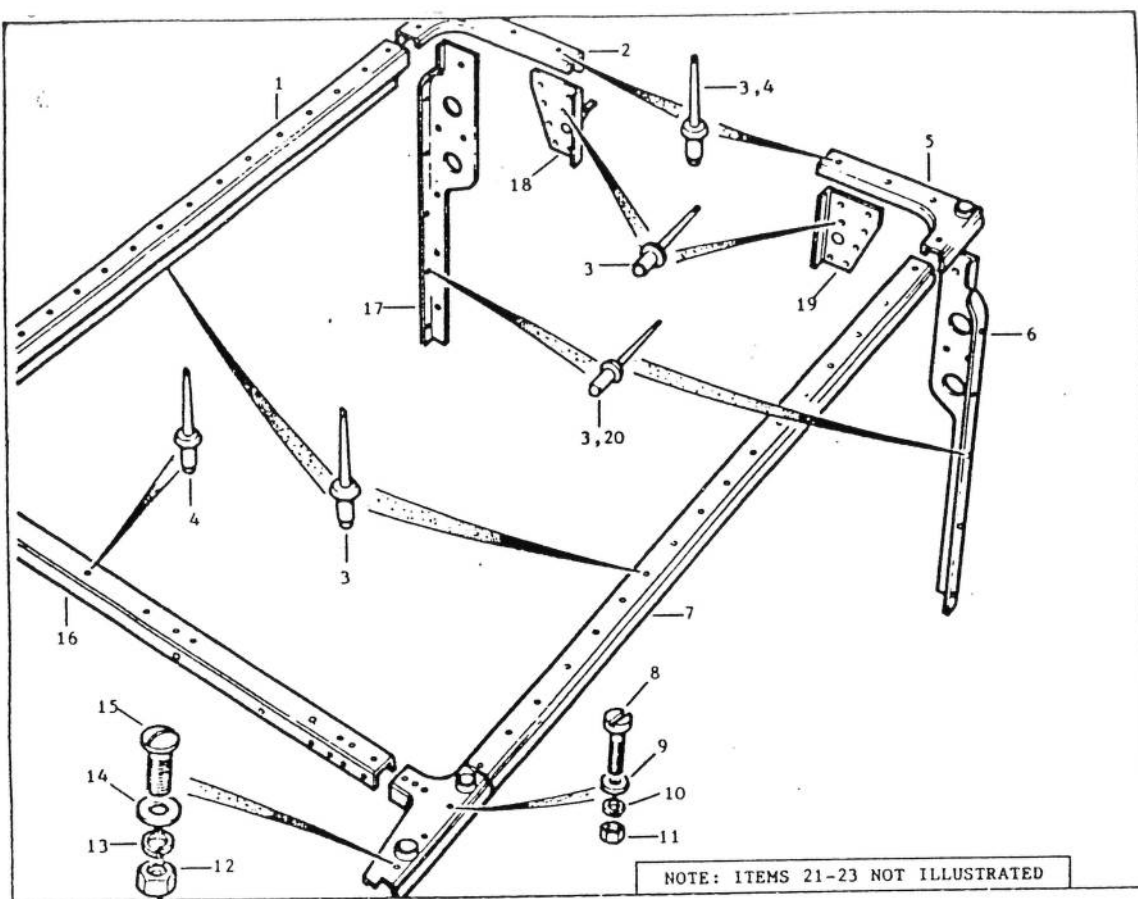
303

ILL NO	NSN	DESCRIPTION	QTY	R/L	NZMC
1	2540 99 849 8381	LID, LOCKER, WHEEL ARCH BOX	1	Y	304401
2	5340 99 874 0290	HASP, HINGED, SINGLE, NON SAFETY	1	Y	334523
3	5325 99 805 4918	GROMMET, BLANK, NON METALLIC	2	X	338027
4	2540 99 805 8676	CATCH, LOCKER LID	1	Y	334525
5	5320 99 970 3518	RIVET, BLIND, UNIVERSAL HD, AL, 0.187 IN NOM DIA, 0.437 IN NOM LG U/HD	47	Y	78248
6	5320 99 120 9002	RIVET, BLIND, UNIVERSAL HD, AL, 0.187 IN DIA, 0.562 IN NOM LG U/HD	24	Y	78410
7	2540 99 820 2893	BRACKET, BUFFER, SEAT SQUARE	6	Y	347553
8	5310 99 941 7070	NUT, PLAIN, HEX, STEEL, CAD PLD, NO 2 BA	2	X	RTC608
9	5310 99 941 6653	WASHER, LOCK, SPLIT HELICAL RING, STEEL, 0.187 IN NOM BOLT SIZE, 0.330 IN OD, 0.064 IN THK	2	X	NM702001
10	5325 99 805 4996	STUD, SWAP FASTENER, STEEL, ZINC PLD, 0.500 IN DIA, HD	2	X	348430
11	5305 99 941 9086	SCREW, MACHINE, FLAT FIL HD, SLOT DRIVE, STEEL, CAD PLD, NO 2 BA, 1 IN LG	2	X	78120
12	2590 99 850 1963	COVER PLATE, ACCESS	1	Y	330616
13	5340 99 849 8338	HINGE, BUTT, LOCKER LID	2	Y	303875
14	2910 99 850 1312	COVER PLATE, SIDE PETROL FILLER	2	Y	330366
15	5310 99 804 7941	NUT, PLAIN, HEX, STEEL, ZINC PLD, 0.250 IN 28 UNF	2	Y	GHF200
16	5310 99 941 6654	WASHER, LOCK, SPLIT HELICAL RING, STEEL, 0.250 IN BOLT SIZE, 0.425 IN OD, 0.072 IN THK	2	Y	GHF331
17	5310 99 101 7838	WASHER, FLAT, RD, STEEL, ZINC PLD, 0.265 IN ID, 0.620 IN OD, 0.056 IN THK	2	Y	RTC622
18	5305 99 941 0512	SCREW, MACHINE, HEX HD, S STEEL, ZINC PLD, 0.250 IN 28 UNF, 0.625 IN LG	2	Y	255206



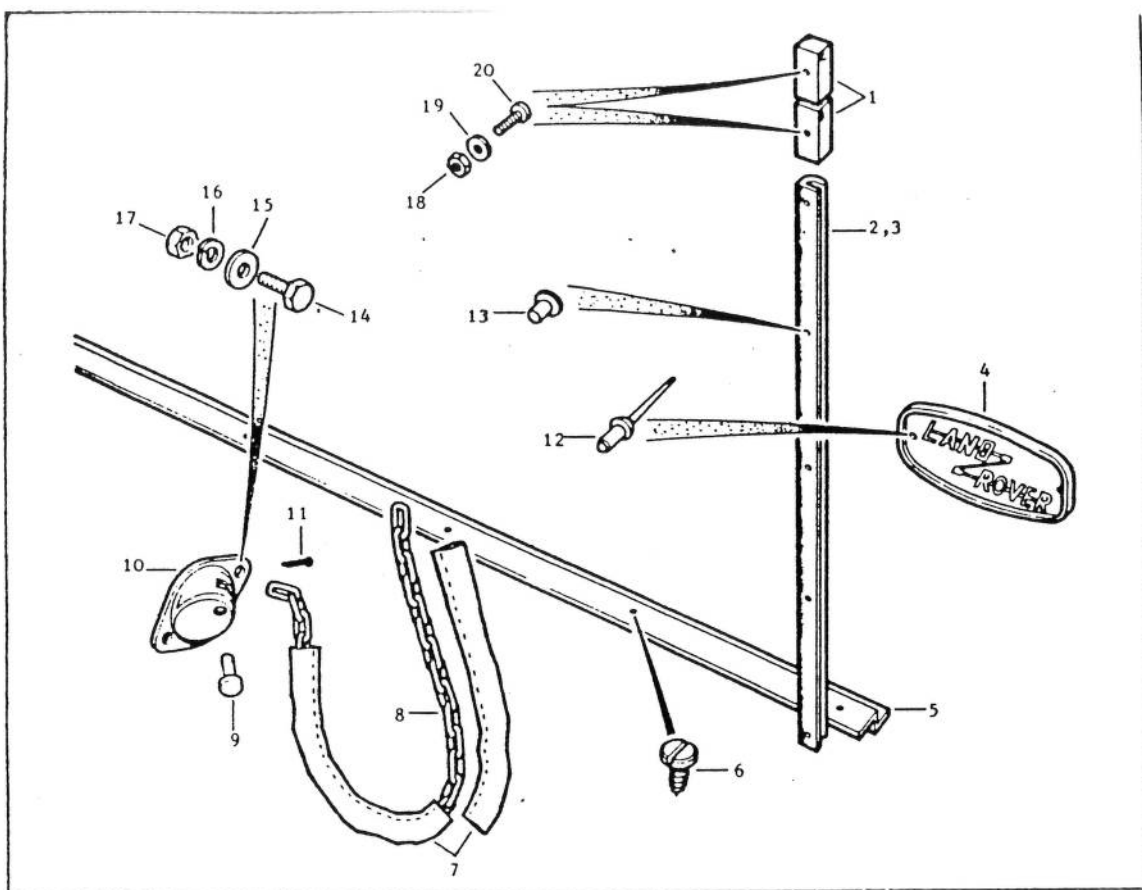
3CA

ILL NO	NSN	DESCRIPTION	QTY	R/L	NZMC
1	2540 99 850 1987	STRENGTHENING MEMBER	1	Y	333455
2	2540 98 856 3546	GUARD, WIRE, REAR LAMPS	2	X	GLR357
3	5310 99 122 5294	NUT, PLAIN, HEX, STEEL, ZINC PLD, 5 MM, 0.80 MM PITCH	4	X	RTC608
4	5310 99 122 3032	WASHER, FLAT, RD, STEEL, ZINC PLD, 5 MM BOLT SIZE, 10 MM OD, 1 MM THK	4	X	3816
5	5310 99 977 1102	WASHER, LOCK, STEEL, ZINC PLD, 5 MM BOLT SIZE, 9 MM OD, 1 - 2 MM THK	4	X	WM702001
6	5305 99 135 0429	SCREW, MACHINE, PAN HD, SLOT DRIVE, STEEL, ZINC PLD, ISO METRIC 5 MM, 0.80 MM PITCH, 12 MM LG	4	X	77869
7	2510 99 844 9574	TREAD, METALLIC, NON SKID, 73.821 IN LG, 1.250 IN W	5	Y	330615
8	2510 99 829 6335	COVER PANEL, REAR LIGHT, RH	1	Y	MRC2244
9	2510 99 829 6336	COVER PANEL, REAR LIGHT, LH	1	Y	MRC2245
10	5305 99 941 8362	SCREW TAPPING, THD FORMING, PAN HD, SLOT DRIVE, STEEL, CAD PLD, NO 8, 0.375 IN LG	4	X	A8608031
11	5310 99 941 6866	WASHER, FLAT, RD, STEEL, CAD PLD, NO 2 BA NOM BOLT SIZE, 0.500 IN LG, 0.048 IN LG	8	X	NC702101
12	5305 99 120 1617	SCREW, MACHINE, RD HD, SLOT DRIVE, STEEL, CAD PLD, NO 2 BA, 0.500 IN LG	4	X	77869
13	5310 99 941 6653	WASHER, LOCK, SPLIT HELICAL RING, STEEL, 0.187 IN NOM BOLT SIZE, 0.330 IN OD, 0.064 IN THK	4	X	WM702001
14	5310 99 941 7070	NUT, PLAIN, HEX, STEEL, CAD PLD, NO 2 BA	4	X	RTC608
15	2510 99 844 9566	TREAD, METALLIC, NON SKID	1	Y	308206
16	2510 99 844 9579	TREAD PLATE, VERTICAL, FRONT PANEL	4	Y	3307117
17	5320 99 970 3518	RIVET, BLIND, UNIVERSAL HD, AL, 0.187 IN NOM DIA, 0.437 IN NOM LG U/HD	87	Y	78248
18	5305 99 122 5361	SCREW, MACHINE, HEX HD, STEEL, ZINC PLD, ISO METRIC, 6 MM, 1 MM PITCH, 20 MM LG	4	Y	GHF120
19	5310 99 977 1694	WASHER, FLAT, RD, STEEL, ZINC PLD, 6.40 MM ID, 19 MM OD, 1.60 MM THK	4	Y	3966
20	5310 99 137 9232	WASHER, LOCK, SPLIT HELICAL RING, STEEL, ZINC PLD, 6 MM NOM HOLE SIZE, 9.60 MM OD, 1.50 MM THK	4	Y	GHF332
21	5310 99 122 5295	NUT, PLAIN, HEX, STEEL, ZINC PLD, ISO METRIC, 6 MM, 1 MM PITCH, GRADE B	4	Y	GHF221
22	5305 99 999 7678	SCREW, MACHINE, PAN HD, SLOT DRIVE, STEEL, CAD PLD, 0.190 IN 24 UNC, 0.500 IN LG	2	Y	



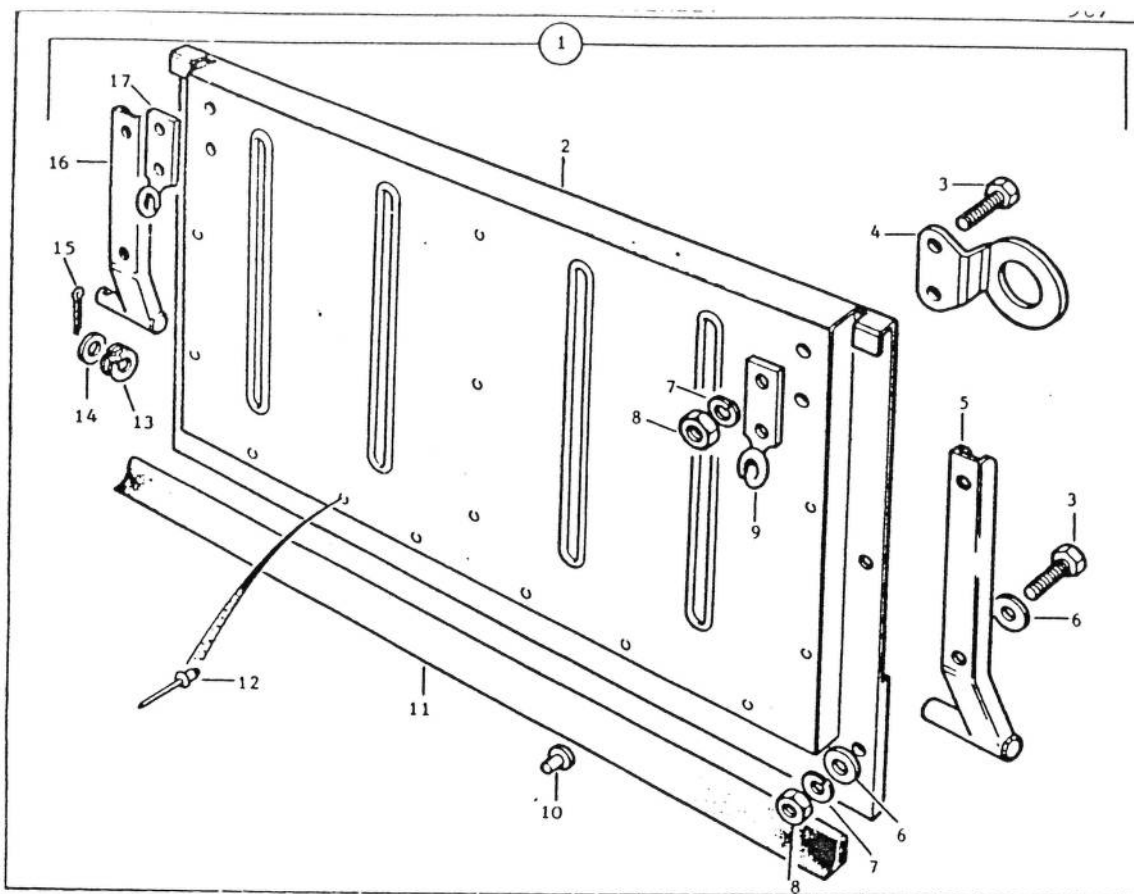
305

ILL NO	NSN	DESCRIPTION	QTY	R/L	NZMC
1	2510 99 844 9582	CAPPING, LOWER BODY SIDE, TOP, RH	1	Z	330840
2	2510 99 849 8699	CAPPING, REAR CORNER, RH	1	Z	330315
3	5320 99 970 3518	RIVET, BLIND, UNIVERSAL HD, AL, 0.187 IN NOM DIA, 0.437 IN NOM LG U/HD	88	Z	78410
4	5320 99 120 9002	RIVET, BLIND, UNIVERSAL HD, AL, 0.187 IN NOM DIA, 0.563 IN LH U/HD	43	Z	78248
5	2510 99 850 1300	CAPPING, REAR CORNER, LH	1	Z	330316
6	2510 99 810 6669	ANGLE, PROTECTION, REAR BODY	1	Z	333254
7	2510 99 844 9583	CAPPING, LOWER BODY SIDE, TOP, LH	1	Z	330841
8	5305 99 941 8357	SCREW, MACHINE, PAN HD, SLOT DRIVE, STEEL, CAD PLD, 0.190 IN 32 UNF, 0.750 IN LG	2	Z	78884
9	5310 99 940 3514	WASHER, FLAT, RD, STEEL, CAD PLD, NO 2 BA BOLT SIZE, 0.386 IN OD, 0.032 IN THK	2	Z	4030
10	5310 99 941 6653	WASHER, LOCK, SPLIT HELICAL RING, STEEL, 0.187 IN NOM BOLT SIZE, 0.330 IN OD, 0.064 IN THK	2	Z	WM702001
11	5310 99 941 2419	NUT, PLAIN, HEX, STEEL, ZINC PLD, 0.190 IN 32 UNF	2	Z	HN2005
12	5310 99 941 0925	NUT, PLAIN, HEX, STEEL, ZINC PLD, 0.312 IN 24 UNF	2	Z	GHF201
13	5310 99 941 6655	WASHER, LOCK, SPLIT HELICAL RING, STEEL, 0.312 IN BOLT SIZE, 0.500 IN OD, 0.078 IN THK	2	Z	GHF332
14	5310 99 122 3034	WASHER, FLAT, RD, STEEL, ZINC PLD, 8 MM BOLT SIZE, 17 MM OD, 1 MM THK	2	Z	WB108051
15	5305 99 100 8418	SCREW, MACHINE, STEEL, PAN HD, SLOT DRIVE, STEEL, CAD PLD, 0.250 IN 28 UNF, 0.750 IN LG	2	Z	78329
16	2510 99 849 8687	CAPPING, REAR BODY, FRONT PANEL	1	Z	330245
17	2510 99 850 1698	ANGLE, PROTECTION, REAR BODY	1	Z	333253
18	2510 99 828 4734	BRACKET, TAILGATE SECURING, RH, C/W ANTI-LUCE COTTER	1	Z	MRC2237
19	2510 99 828 4735	BRACKET, TAILGATE SECURING, LH, C/W ANTI-LUCE COTTER	1	Z	MRC2238
20	5320 99 138 7954	RIVET, BLIND, FLUSH CSK HD, AL, 0.187 IN DIA, 0.510 IN LG	6	Z	78885
21	2590 99 820 7565	LEAD, ELECTRICAL, BODY CAPPINGS	4	Y	552633
22	5305 99 901 9736	SCREW, TAPPING, PAN HD, SLOT DRIVE, STEEL, CAD PLD, NO 6, 0.375 IN LG	8	Y	AB606031
23	5310 99 136 9513	WASHER, FLAT, RD, STEEL, ZINC PLD, 2 BA NOM BOLT SIZE, 0.500 IN OD, 0.063 IN THK	8	Y	NC702101



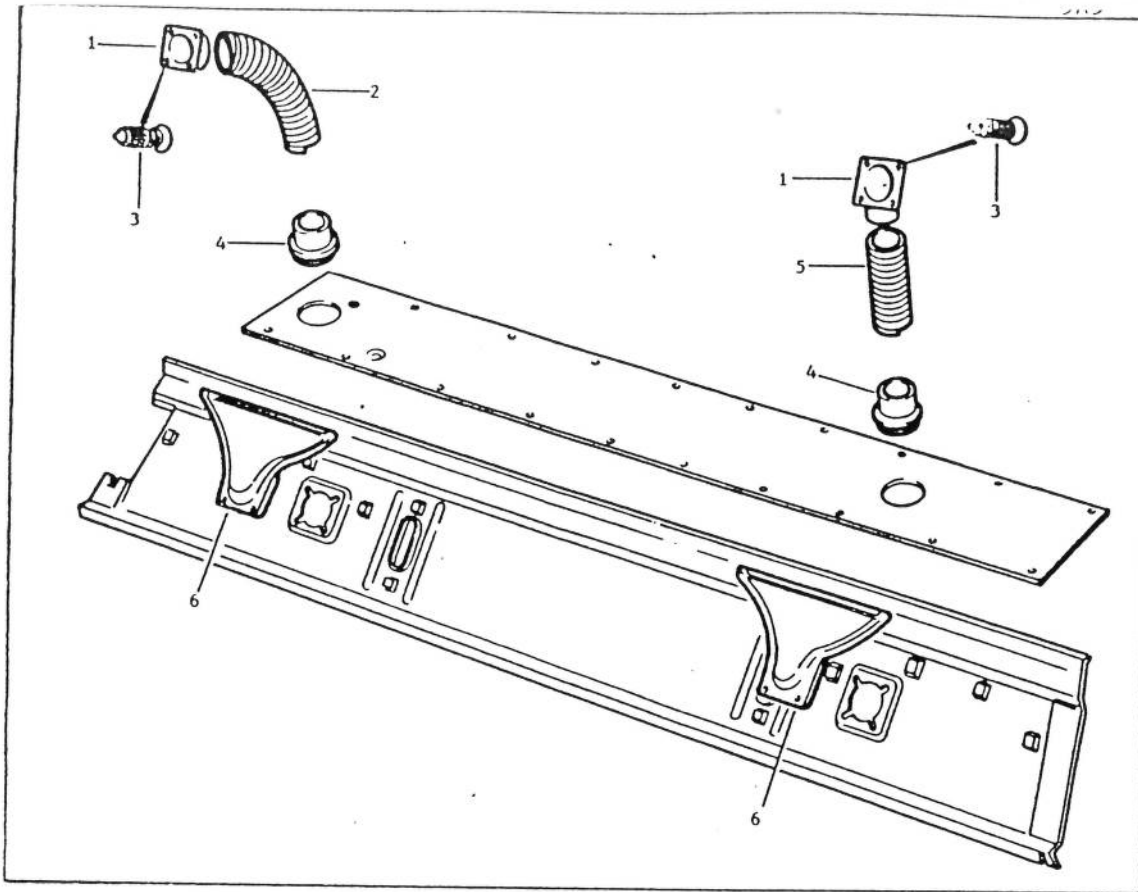
306

ILL NO	NSN	DESCRIPTION	QTY	R/L	NZMC
1	5340 99 805 4577	BUMPER, RUBBER, SYNTHETIC, BLACK, 1.250 IN LG, 0.937 IN W, 0.593 IN THK	2	Y	332146
2	5330 98 856 3590	WEATHER STRIP, SYN RUBBER, TAILGATE AND BODYSIDE, RH	1	Y	} 337290
3	5330 98 856 3591	WEATHER STRIP, SYN RUBBER, TAILGATE AND BODYSIDE, LH	1	Y	
4	2590 99 895 1997	NAME PLATE, LANDROVER	1	Y	332670
5	2510 99 844 9570	STRIP, PROTECTION, REAR DOOR	1	Y	330145
6	5305 99 950 4416	SCREW, TAPPING, THD FORMING, PAN HD, SLOT DRIVE, STEEL, CAD PLD, NO 6, 0.500 IN LG	4	Y	9HF421
7	2590 99 895 1987	SLEEVE, CHAIN	4	X	330422
8	4010 99 850 1322	CHAIN, WELDED, TAILBOARD	2	Y	MTC1827
9	5315 99 844 9550	PIN, STRAIGHT, HEADED, PAN HD, STEEL, ZINC PLD, 0.250 IN DIA, 0.593 IN LG U/HD	2	X	302828
10	2510 99 895 2141	BRACKET, TAILBOARD CHAIN	2	Y	302825
11	5315 99 138 2200	PIN, COTTER, SPLIT, STEEL, PHOS FIN, 1.60 MM DIA, 16 MM NOM LG	2	X	3958
12	5320 99 970 3518	RIVET, BLIND, UNIVERSAL HD, AL, 0.187 IN NOM DIA, 0.437 IN NOM LG U/HD	2	Y	78248
13	5320 99 433 5233	RIVET, TUBULAR, OVAL HD, STEEL, 0.187 IN DIA, 0.375 IN LG	10	Y	78321
14	5305 99 941 0512	SCREW, MACHINE, HEX HD, S STEEL, ZINC PLD, 0.250 IN 28 UNF, 0.625 IN LG	4	Y	265206
15	5310 99 120 4032	WASHER, FLAT, RD, STEEL, ZINC PLD, 0.250 IN NOM BOLT SIZE, 0.562 IN OD, 0.056 IN THK	4	Y	RTC609
16	5310 99 941 6654	WASHER, LOCK, SPLIT HELICAL RING, STEEL, 0.250 IN BOLT SIZE, 0.425 IN OD, 0.072 IN THK	4	Y	9HF331
17	5310 99 804 7941	NUT, PLAIN, HEX, STEEL, ZINC PLD, 0.250 IN 28 UNF	4	Y	9HF200
18	5310 99 941 9661	NUT, PLAIN, HEX, STEEL, CAD PLD, NO 4 BA	2	Y	4023
19	5310 99 940 3514	WASHER, FLAT, RD, STEEL, CAD PLD, NO 2 BA BOLT SIZE, 0.386 IN OD, 0.032 IN THK	2	Y	4030
20	5305 99 999 5692	SCREW, MACHINE, FLAT FIL HD, STEEL, CAD PLD, NO 4 BA, 0.500 IN LG	2	Y	77999



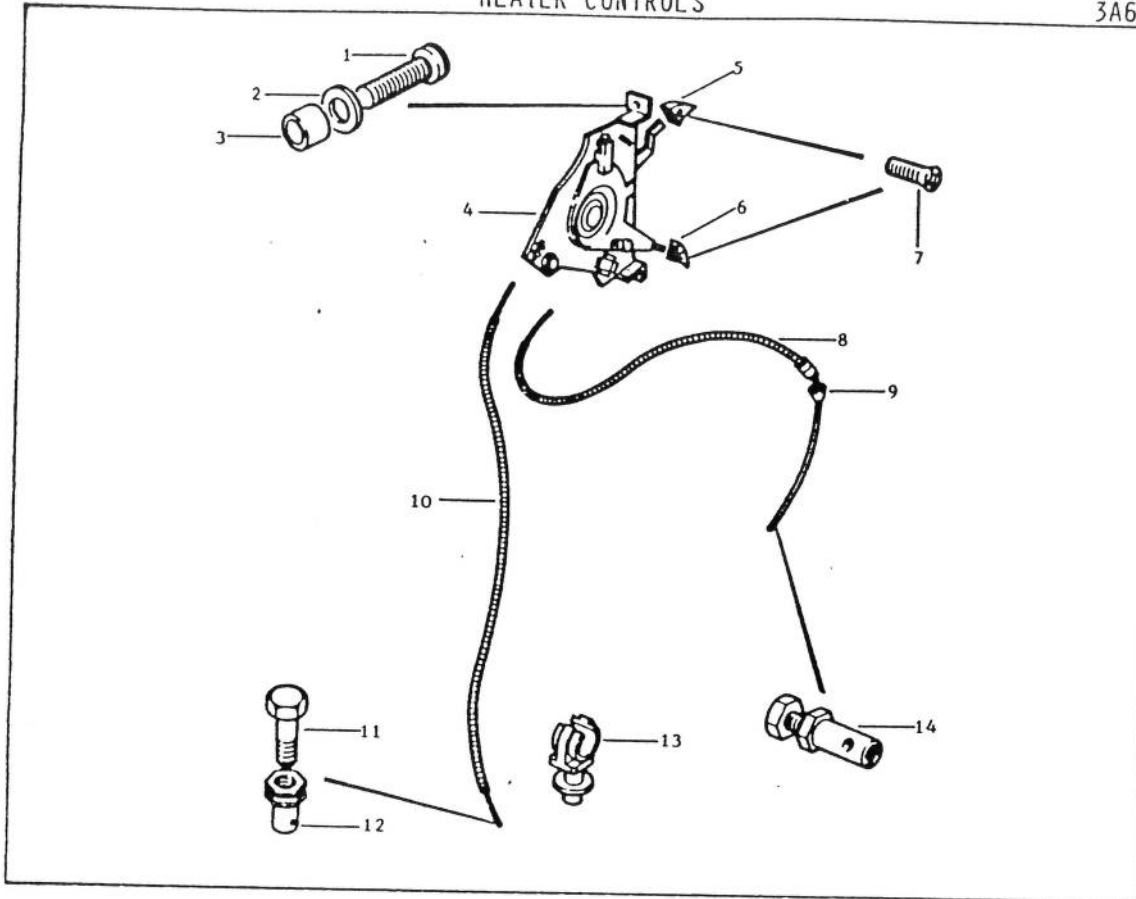
307

ILL NO	MSN	DESCRIPTION	QTY	R/L	NZMC
1	2510 99 874 1793	TAILBOARD ASSY	1	Y	320604
2	2510 99 828 8783	PANEL, REINFORCEMENT, STEEL, TAILBOARD	1	Y	345915
3	5306 99 941 0287	BOLT, MACHINE, HEX HD, S STEEL, ZINC PLD, 0.250 IN 28 UNF, 2.250 IN LG	8	Y	8H604181
4	2510 99 873 8011	LOCKING PLATE, TAILBOARD	2	Y	336412
5	5340 99 804 7197	LEAF, BUTT, HINGE, STEEL	1	Y	338618
6	5310 99 829 2295	WASHER, FLAT, RD, STEEL, 0.875 IN ID, 0.250 IN OD, 0.062 IN THK	8	Y	WP8019
7	5310 99 941 6654	WASHER, LOCK, SPLIT HELICAL RING, STEEL, 0.250 IN BOLT SIZE, 0.425 IN OD, 0.072 IN THK	8	Y	GHF831
8	5310 99 804 7941	NUT, PLAIN, HEX, STEEL, ZINC PLD, 0.250 IN 28 UNF	8	Y	GHF200
9	5340 99 850 1662	HOOK, SUPPORT, STEEL	1	Y	332446
10	5320 99 433 5233	RIVET, TUBULAR, OVAL HD, STEEL, 0.187 IN DIA, 0.375 IN LG	8	Y	78321
11	2510 99 849 8358	WEATHERSTRIP, DOOR, SILL, BOTTOM	1	Y	808975
12	5320 99 970 3518	RIVET, BLIND, UNIVERSAL HD, AL, 0.187 IN NOM DIA, 0.437 IN NOM LG U/HD	23	Y	78248
13	5310 99 941 6631	WASHER, LOCK, SPLIT DOUBLE HELICAL RING, 0.437 IN BOLT SIZE, 0.750 IN OD, 0.062 IN THK	1	Y	2289
14	5310 99 941 8638	WASHER, FLAT, RD, STEEL, ZINC PLD, 0.562 IN NOM BOLT SIZE, 1.125 IN OD, 0.104 IN THK	1	Y	WA600091
15	5315 99 138 2212	PIN, COTTER, SPLIT, STEEL, PHOS FIN, 5 MM DIA, 25 MM LG	1	Y	P6612080
16	2510 99 805 4562	HINGE, TAILBOARD, STEEL, LH	1	Y	338617
17	2590 99 440 7636	HOOK, SUPPORT, STEEL	1	Y	332445



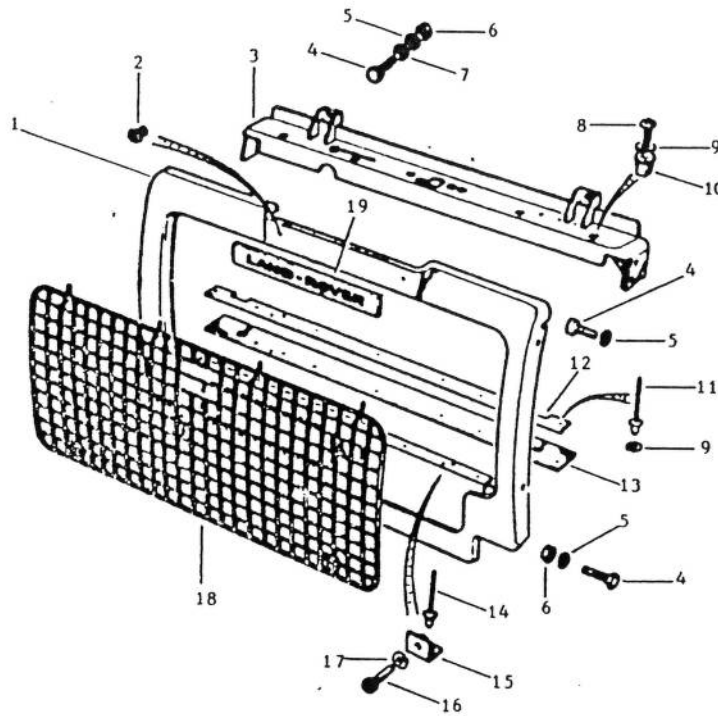
385

ILL NO	NSN	DESCRIPTION	QTY	R/L	NZMC
1	2540 99 825 4075	NOZZLE, DEMISTER	2	Y	346536
2	2540 99 825 4076	HOSE, DEMISTER	1	Y	347745
3	5305 99 977 3286	SCREW, TAPPING, THD FORMING, FLAT CSK HD, SLOT DRIVE, STEEL, ZINC PLD, NO 6, 0.625 IN LB	8	Y	AC606051
4	5325 99 137 6358	GROMMET, RUBBER, SYNTHETIC	2	Y	346785
5	2540 99 825 9179	HOSE, DEMISTER	1	Y	347746
6	2540 99 825 4073	NOZZLE, DEMISTER	2	Y	346535



3A6

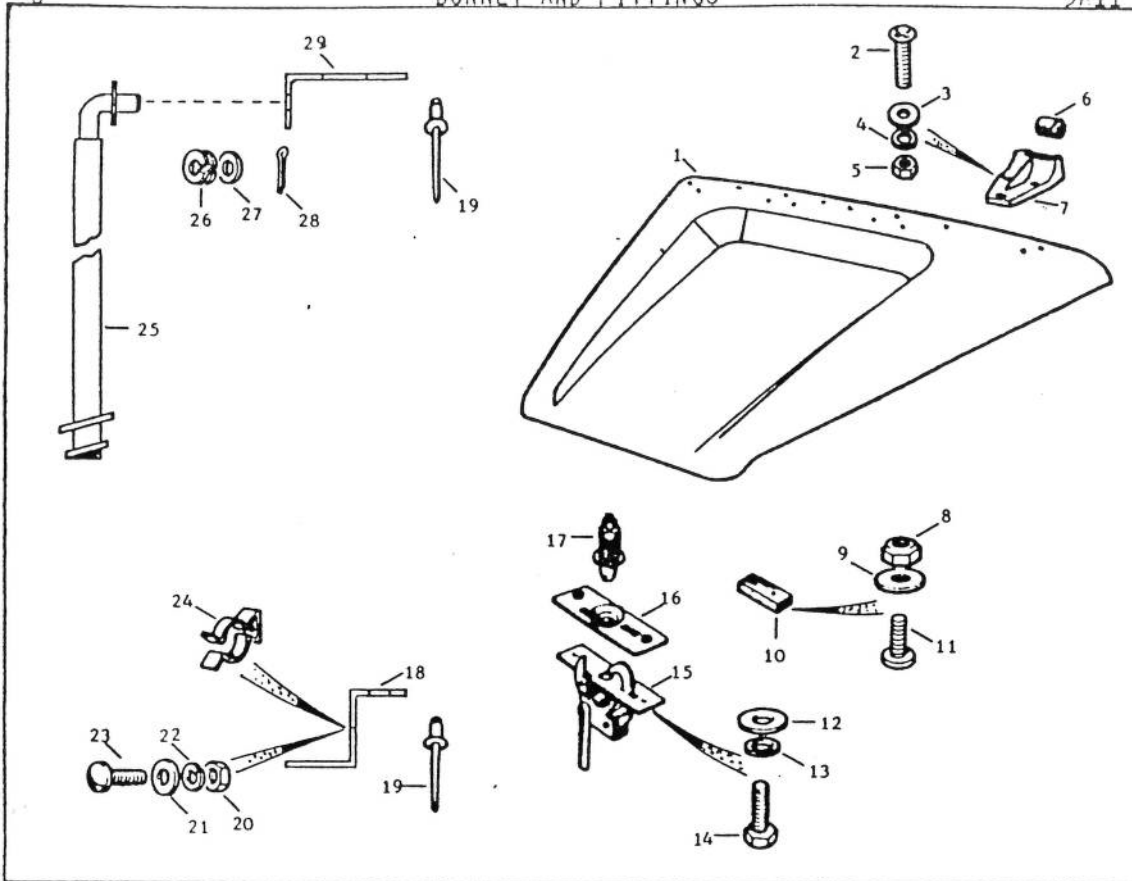
ILL NO	NSN	DESCRIPTION	QTY	R/L	NZMC
1	5305 99 101 3670	SCREW, MACHINE, PAN HD, SLOT DRIVE, STEEL, CAD PLD, 0.164 IN 32 UNC, 0.750 IN LG	2	Y	79216
2	5310 99 941 8543	WASHER, FLAT, RD, STEEL, ZINC PLD, 0.203 IN ID, 0.500 IN OD, 0.046 IN THK	2	Y	WC102101
3	5340 99 137 6554	BUSHING, PLASTICS, NYLON, 0.187 IN HOLE DIA, 0.312 IN OD, 0.250 IN LG	2	Y	347478
4	2540 99 829 0100	LEVER ASSY, HEATER CONTROL	1	Y	346924
5	5335 99 824 3473	KNOB, HEATER CONTROL, PLASTIC	1	Y	395204
6	5335 99 824 3474	KNOB, HEATER CONTROL, PLASTIC, HOT, COLD	1	Y	395205
7	5305 99 946 4919	SCREW, MACHINE, UNC, ST, FLAT CSK HD, SLOT DRIVE, CAD/PLD, NO 4 I 0.250 IN LG, CLASS 2A THD	2	Y	MRC3057
8	2540 99 822 6471	CABLE ASSY, HEATER FLAPS OPERATION	1	Y	347939
9	5340 99 824 3472	CLIP, SPLIT, TUBULAR, 0.270 IN MAX DIA, 0.250 IN LG	1	Y	79198
10	2540 99 829 7978	CABLE ASY, WATER VALVE OPERATION	1	Y	347941
11	5305 99 945 8864	SCREW, MACHINE, HEX HD, STEEL, CAD PLD, 0.164 IN 32 UNC, 0.375 IN LG	1	Y	257307
12	5310 99 137 6359	TRUNNION, STEEL, ZINC OR CAD PLD	1	Y	356765
13	2530 99 830 2724	CLIP, SINGLE	1	Y	CRC1250
14	5315 99 137 6360	LOCKING PIN, STEEL, ZINC OR CAD PLD	1	Y	566A02



NOTE: ITEMS 20-22 NOT ILLUSTRATED

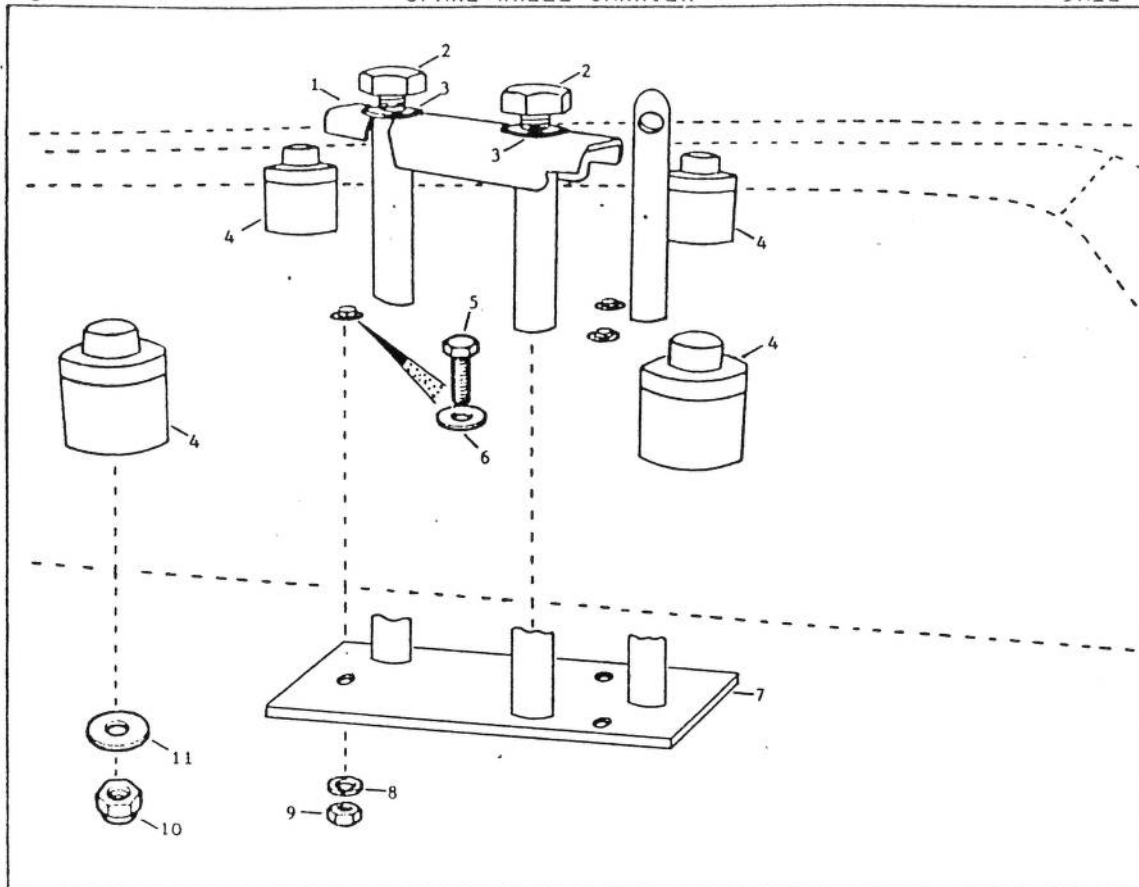
3A10

ILL NO	MSN	DESCRIPTION	QTY	R/L	NZMC
1	2510 98 856 3885	PANEL GRILLE, WITH OIL COOLER APERTURE	1	Z	MRC6267
2	5365 98 856 3541	BUSH, FRICTION, MOTIF	2	Y	GHF1532
3	2510 98 856 3587	GRILLE, TOP PANEL	1	Y	MRC9586
4	5305 99 122 5366	SCREW, MACHINE, HEX HD, STEEL, ZINC PLD, ISO METRIC, 8 MM, 1.25 MM PITCH, 20 MM LG	8	Y	SH108201
5	5310 99 138 9227	WASHER, LOCK, SPLIT HELICAL RING, STEEL, ZINC PLD, 8 MM NOM SIZE, 12.75 MM OD, 2 MM THK	8	Y	GHF392
6	5310 99 122 5296	NUT, PLAIN, HEX, STEEL, ISO METRIC, 8 MM, 1.25 MM PITCH, GRADE 8	4	Y	GHF213
7	5310 99 122 6475	WASHER, FLAT, RD, STEEL, ZINC PLD, 8 MM NOM ID, 17 MM OD, 1.60 MM THK	4	Y	GHF301
8	5305 99 977 3251	SCREW, TAPPING, THD FORMING, STEEL, PAN HD, SLOT DRIVE, ZN PLD, M6, 0.625 IN LG	4	Y	AB606051
9	5310 99 122 3032	WASHER, FLAT, RD, STEEL, ZINC PLD, ISO METRIC, 5 MM BOLT SIZE, 10 MM OD, 1 MM THK	6	Y	NC105001
10	5310 99 137 6356	NUT, ANCHOR, NYLON, 0.375 IN W, 0.375 IN LG, 0.312 IN H	4	Y	GHF1021
11	WKSP STOCK	POP RIVET	7		RA612253
12	5365 98 856 2557	STRIP, CLAMPING, GRILLE PANEL	1	Z	MRC4237
13	5365 98 856 3558	STRIP, BONNET REST	1	Y	MRC4238
14	WKSP STOCK	POP RIVET	4		RAL12346
15	2930 98 856 3559	BRACKET, GRILLE MESH FIXING	2	Z	MRC4266
16	5305 98 856 3691	SCREW, MACHINE	2	Y	SE105141
17	5310 99 137 746A	WASHER, FLAT, STEEL, ZINC PLD, 6.40 MM ID, 18 MM OD, 1.60 MM THK	2	Y	851041
18	2510 98 856 0414	GRILLE MESH ASSY	1	Y	MRC6620
19	2540 98 856 3550	PLATE, NAME, LAND ROVER	1	Y	MRC3598
20	2930 98 856 3560	GRILLE MESH, OIL COOLER	1	Y	MRC6890
21	2510 98 856 3580	BRACE, CROSS, BONNET LOCK, R/H	1	Z	MRC7493
22	2510 98 856 3581	BRACE, CROSS, BONNET LOCK, L/H	1	Z	MRC7494



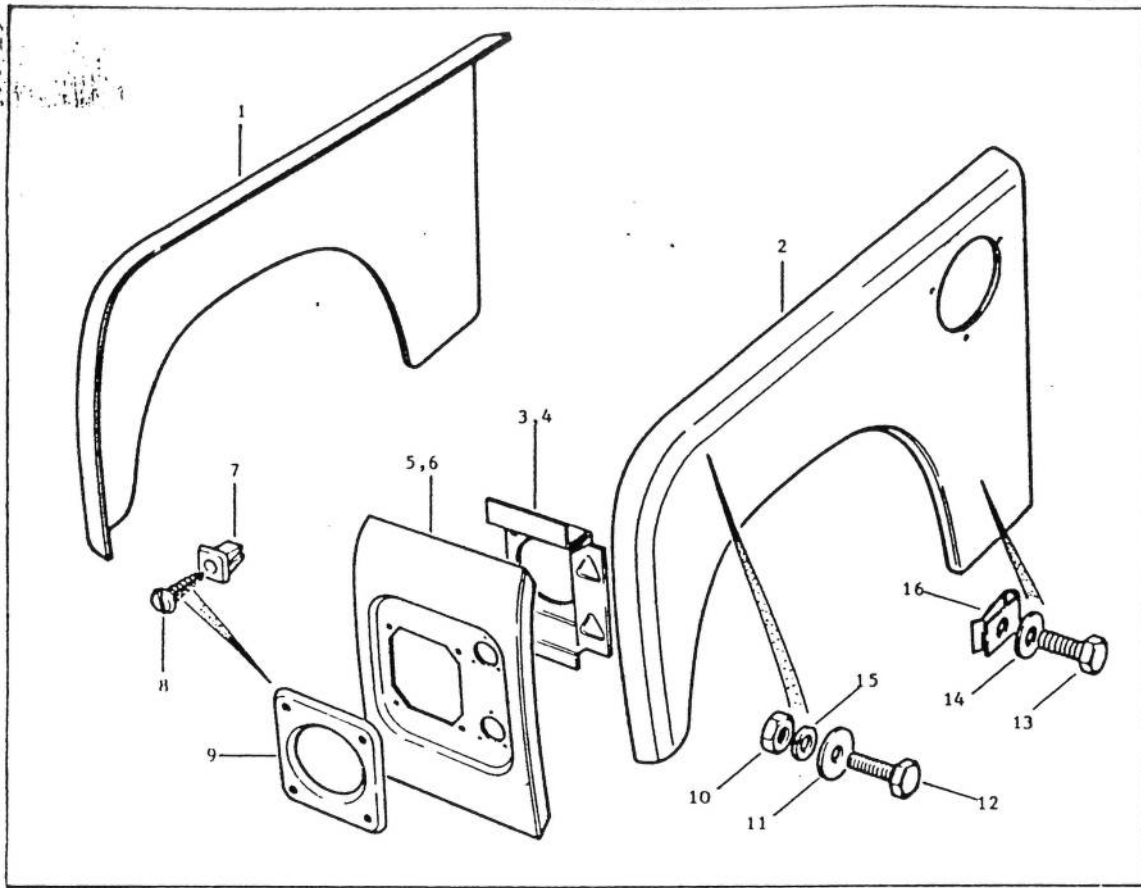
3A11

ILL NO	NSN	DESCRIPTION	QTY	R/L	NZMC
1	2510 98 856 0412	BONNET, ENGINE COMPARTMENT	1	Y	MRC5932
2	5305 98 856 3693	SCREW, CSK HD, CROSS RECESS DRIVE, ISO METRIC, 6 MM, 1 MM PITCH	6	Y	SF106161
3	5310 99 837 2124	WASHER, FLAT	6	Y	N8106041
4	5310 99 137 9232	WASHER, LOCK, STEEL, SPLIT HELICAL RING, 6 MM NOM SIZE, 9.600 MM OD, 1.500 MM THK	6	Y	NL106001
5	5310 99 122 5295	NUT, PLAIN, HEX, STEEL, ZINC PLTD, ISO METRIC, 6 MM, 1 MM PITCH, GRADE 8	6	Y	GHF212
6	2540 99 824 3038	BUSH, BONNET HINGE, NYLON	2	Y	346849
7	5340 98 856 3586	HINGE, BONNET	2	Y	MRC9244
8	5310 98 856 3660	NUT, SELF LOCKING, ISO METRIC, 5 MM, 0.800 MM PITCH	8	Y	NY105041
9	5310 99 122 3032	WASHER, FLAT, RD, STEEL, ZINC PLTD, 5 MM BOLT SIZE, 10 MM OD, 1 MM THK	16	Y	NA105001
10	5365 98 856 3565	BUFFER, RUBBER, BONNET STOP	4	Y	MRC5016
11	5305 99 135 0430	SCREW, MACHINE, PAN HD, SLOT DRIVE, STEEL, ZINC PLTD, ISO METRIC, 5 MM, 0.800 MM PITCH, 16 MM LG	8	Y	SE105161
12	5310 99 137 7464	WASHER, FLAT, RD, STEEL, ZINC PLTD, 6.400 MM ID, 18 MM OD, 1.600 MM THK	2	X	851041
13	5310 99 137 9232	WASHER, LOCK, STEEL, SPLIT HELICAL RING, 6 MM NOM SIZE 9.600 MM OD, 1.500 MM THK	2	X	NM106001
14	5305 98 856 3401	SCREW, MACHINE	2	X	AFU1203
15	2510 98 856 0415	CATCH ASSY, BONNET	1	X	MRC6977
16	5310 98 856 0416	WASHER PLATE, BONNET CATCH	1	X	MRC6978
17	5340 98 856 3589	STRIKER PIN ASSY, BONNET CATCH, (COMPRISING PIN, SPRINGS AND RETAINER)	1	X	MRC9995
18	NOTPROVIDED	BRACKET, BONNET PROP CLIP MOUNTING	1	Y	
19	WKSP STOCK	RIVET, SOLID, AL, 5 MM DIA	9	Y	
20	5310 99 135 0756	NUT, PLAIN, HEX, STEEL, CAD PLTD, ISO METRIC, 5 MM, 0.800 MM PITCH	1	X	
21	5310 99 122 3032	WASHER, FLAT, RD, STEEL, ZINC PLTD, 5 MM BOLT SIZE, 10 MM OD, 1 MM THK	1	X	
22	5310 99 977 1102	WASHER, LOCK, STEEL, ZINC PLTD, 5 MM BOLT SIZE, 9 MM OD, 1.200 MM THK	1	X	
23	5305 99 135 0429	SCREW, MACHINE, PAN HD, SLOT DRIVE, ZINC PLTD, ISO METRIC, 5 MM, 0.800 MM PITCH, 12 MM LG, GRADE 4.800	1	X	
24	5340 98 856 3584	CLIP, BONNET PROP STOWAGE	1	X	MRC7623
25	5340 98 856 3588	PROP ASSY, BONNET	1	X	MRC9778
26	5310 99 941 6629	WASHER, LOCK, STEEL, DOUBLE COIL, 0.375 IN BOLT SIZE, 0.694 IN OD, 0.048 IN THK	1	X	
27	5310 99 122 6476	WASHER, FLAT, RD, STEEL, ZINC PLTD, 10 MM NOM BOLT SIZE, 21 MM OD, 2 MM THK	1	X	
28	5315 98 103 0010	PIN, COTTER, SPLIT, 2.380 , DIA, 25.400 MM LG	1	X	
29	NOTPROVIDED	BRACKET, BONNET PROP MOUNTING	1	Y	



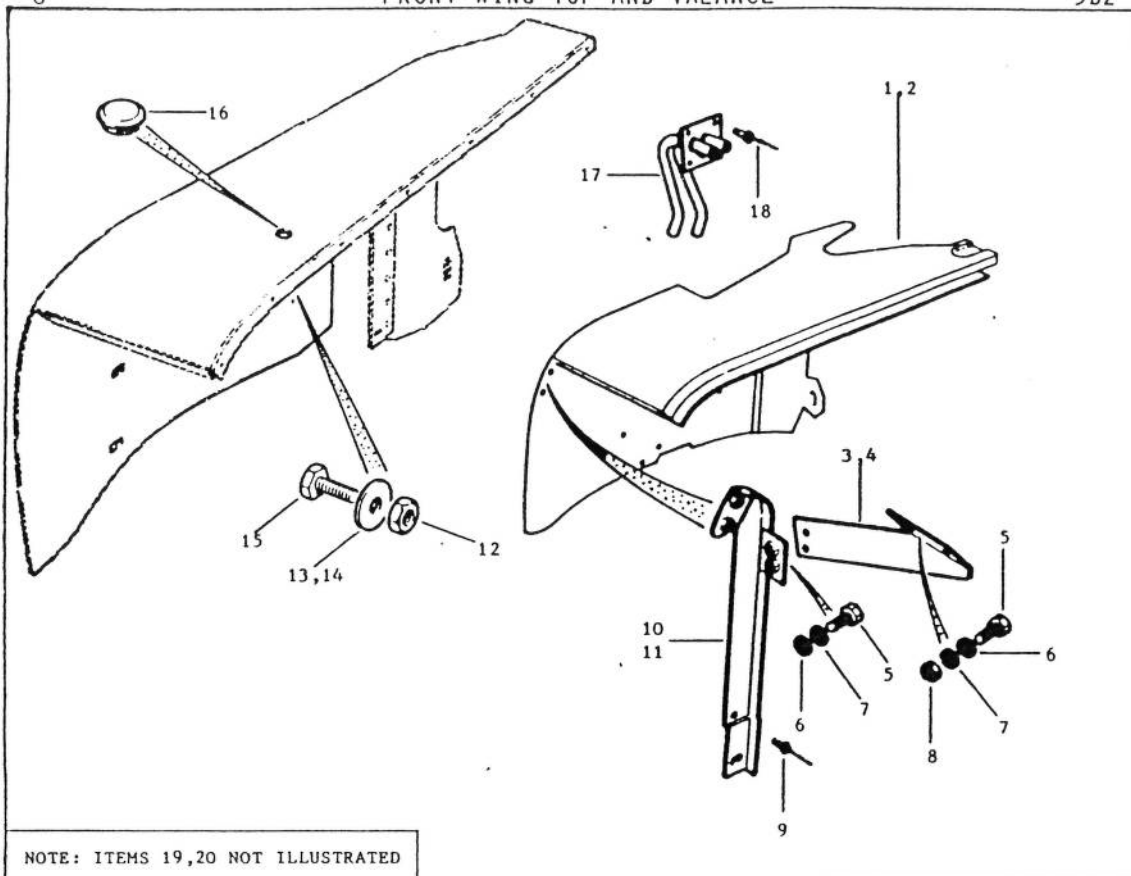
3A12

ILL NO	MSN	DESCRIPTION	QTY	R/L	
1	2540 98 856 3566	RETAINER, SPARE WHEEL	1	X	MRC5063
2	5305 98 856 3562	SCREW, MACHINE, HEX HD, ST, ISO METRIC, 12 MM	2	X	MRC4473
3	5310 99 122 3036	WASHER, FLAT, RD, ST, AN/PLD, 12 MM BOLT SIZE, 24 MM OD, 1.600 MM THK	2	X	WD112031
4	5330 98 856 3563	BUFFER ASSY, RUBBER	4	X	MRC4619
5	5305 99 137 7452	SCREW, MACHINE, HEX HD, ST, ZN/PLD, ISO METRIC, 5 MM, 0.800 MM PITCH, 14 MM LG	3	X	SH105141
6	5310 99 122 3032	WASHER, FLAT, RD, ST, ZN/PLD, 5 MM BOLT SIZE, 10 MM OD, 1 MM THK	6	X	WA105001
7	2540 98 856 3573	CLAMP PLATE ASSY, SPARE WHEEL	1	X	MRC5801
8	5310 99 138 9226	WASHER, LOCK, SPLIT HELICAL RING, ST, ZINC PLTD, 5.100 MM NOM BOLT SIZE, 8.550 MM OD, 1.400 MM THK	3	X	NM105001
9	5310 99 122 5294	NUT, PLAIN, HEX, ST, ZN/PLD, 5 MM, 0.800 MM PITCH	3	X	NH105041
10	5310 99 122 5495	NUT, SELF LOCKING, HEX, ST, ZN/PLD, ISO METRIC, 8 MM, 1 MM PITCH	4	X	CHF232
11	5310 99 122 3034	WASHER, FLAT, RD, ST, ZINC PLTD, 8 MM BOLT SIZE, 17 MM OD, 1 MM THK	4	X	WB108051



381

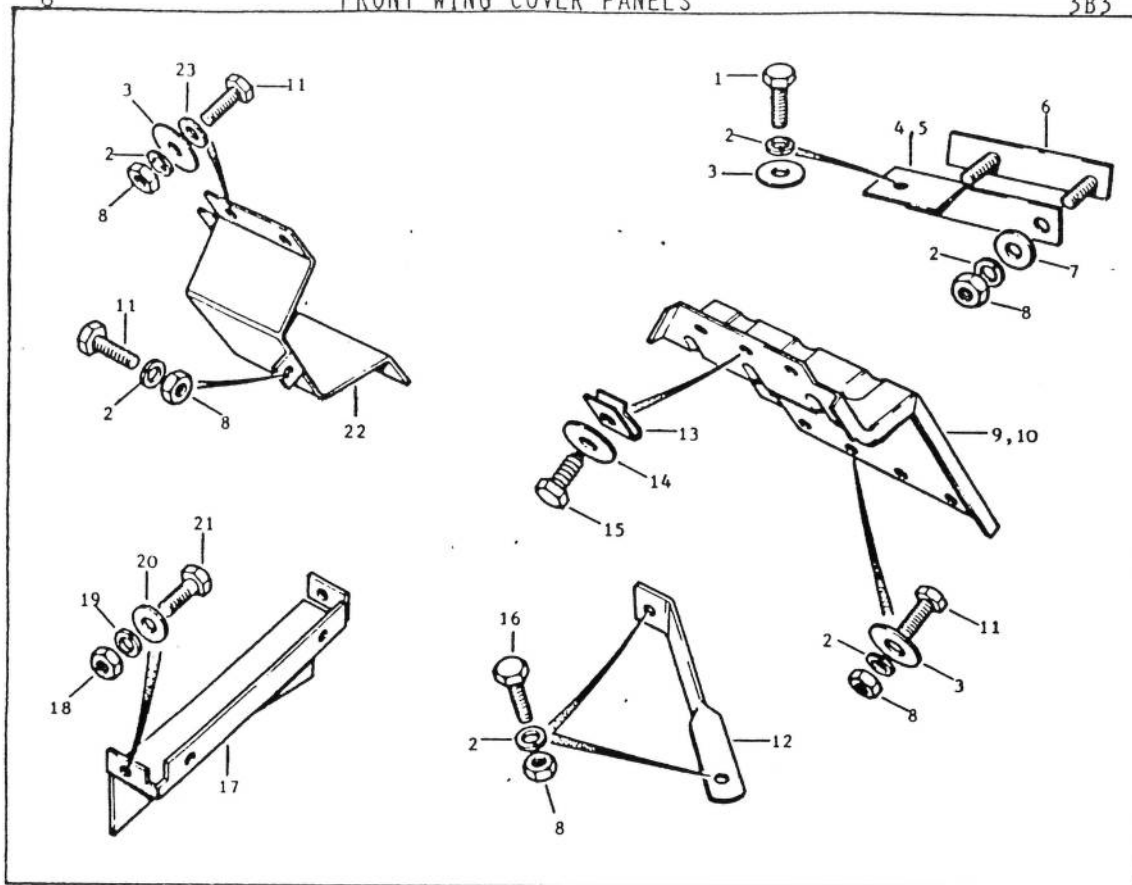
ILL NO	NSN	DESCRIPTION	QTY	R/L	NZMC
1	2510 99 850 1330	MUDGUARD, VEHICULAR, RH/F	1	Z	330426
2	2510 99 824 3036	PANEL, WING ASSY, OUTER, LHF	1	Z	347475
3	2510 99 811 9097	PANEL, MOUNTING, HEADLAMP, RH	1	Z	345620
4	2510 99 811 9098	PANEL, MOUNTING, HEADLAMP, LH	1	Z	345621
5	2510 98 856 0408	PANEL, FRONT, MUDGUARD, RH	1	Z	MRC4411
6	2510 98 856 0409	PANEL, FRONT, MUDGUARD, LH	1	Z	MRC4412
7	5310 99 138 0422	NUT, ANCHOR, NYLON, FOR NO 8 OR NO 10 DRIVE SCREW	8	Y	79051
8	5305 99 951 1478	SCREW, TAPPING, THREAD FORMING, PAN HD, SLOT DRIVE, STEEL, CAD PLD, NO 8, 0.500 IN LG	8	Y	GHF423
9	2510 99 811 9099	PLATE, SURROUND, HEADLAMP	2	Y	MRC8317
10	5310 99 804 7941	NUT, PLAIN, HEX, STEEL, ZINC PLD, 0.250 IN 28 UNF	2	Z	GHF200
11	5310 99 134 1989	WASHER, FLAT, RD, STEEL, CAD PLD, 0.250 IN NOM BOLT SIZE, 1 IN OD, 0.064 IN THK	4	Z	2215
12	5305 99 941 0512	SCREW, MACHINE, HEX HD, S STEEL, ZINC PLD, 0.250 IN 28 UNF, 0.625 IN LG	2	Z	255206
13	5305 99 123 7711	SCREW, PANEL FASTENER, HEX HD, STEEL, 0.312 IN ACME, 0.750 IN LG	8	Z	UL2806
14	5310 99 134 2496	WASHER, FLAT, RD, STEEL, CAD PLD, 0.312 NOM BOLT SIZE, 0.750 IN OD, 0.072 IN THK	8	Z	WC108051
15	5310 99 941 6654	WASHER, LOCK, SPLIT HELICAL RING, STEEL, 0.250 IN BOLT SIZE, 0.425 IN OD, 0.072 IN THK	2	Z	GHF331
16	5310 99 844 9563	NUT, FIXING WING TO PILLAR	8	Z	AK616011



NOTE: ITEMS 19,20 NOT ILLUSTRATED

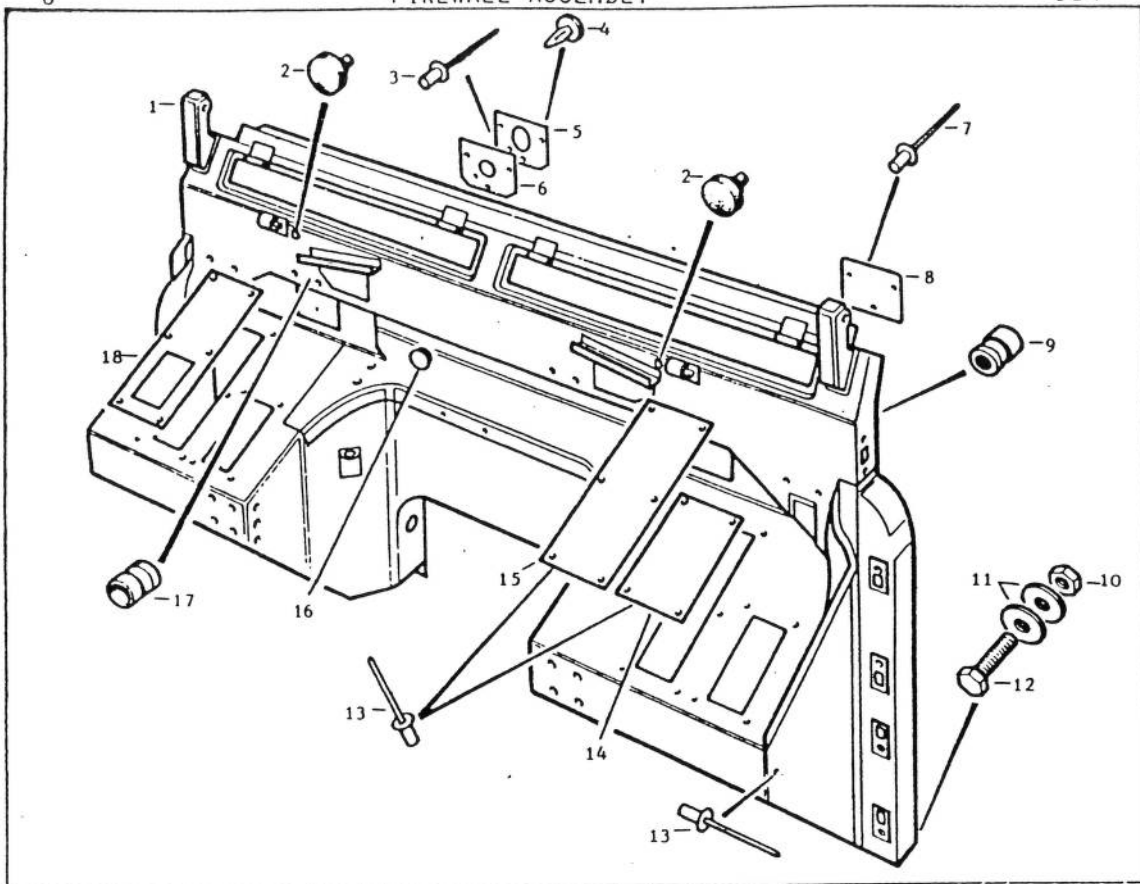
3B2

ILL NO	NSN	DESCRIPTION	QTY	R/L	NZMC
1	2510 98 856 0413	MUDGUARD, VEHICULAR, C/W FRONT PANEL AND HEADLAMP MTG PANEL, LH	1	Z	MRC7000
2	2510 98 856 0417	MUDGUARD, VEHICULAR, C/W FRONT PANEL AND HEADLAMP MTG PANEL, RH	1	Z	MRC6001
3	2510 98 856 3582	STIFFENER, FRONT WING NOSE, L/H	1	Z	MRC7496
4	2510 98 856 3583	STIFFENER, FRONT WING NOSE, R/H	1	Z	MRC7495
5	5305 99 122 5360	SCREW, MACHINE, HEX HD, STEEL, ZINC PLD, ISO METRIC, 6 MM, 1 MM PITCH, 20 MM LG	8	Z	5H106161
6	5310 99 122 6474	WASHER, FLAT, RD, STEEL, ZINC PLD, 6 MM NOM BOLT SIZE, 12.50 MM OD, 1.60 MM THK	12	Z	GHF300
7	5310 99 137 9232	WASHER, LOCK, SPLIT HELICAL RING, STEEL, ZINC PLD, 6 MM NOM HOLE SIZE, 9.60 MM OD, 1.50 MM THK	8	Z	WL106001
8	5310 99 122 5295	NUT, PLAIN, HEX, STEEL, ZINC PLD, ISO METRIC, 6 MM, 1 MM PITCH GRADE 8	4	Z	GHF212
9	WASP STOCK	POP RIVET	4		RA612253
10	2510 98 856 3574	STIFFENER, FRONT WING VALANCE R/H	1	Z	MRC6006
11	2510 98 856 3575	STIFFENER, FRONT WING VALANCE L/H	1	Z	MRC6007
12	5310 99 804 7941	NUT, PLAIN, HEX, STEEL, ZINC PLD, 0.250 IN 28 UNF	22	Z	GHF200
13	5310 99 120 4032	WASHER, FLAT, RD, STEEL, ZINC PLD, 0.250 IN NOM BOLT SIZE, 0.562 IN OD, 0.056 IN THK	40	Z	RTC609
14	5310 99 849 8006	WASHER, FLAT, RD, STEEL, ZINC PLD, 0.250 IN NOM BOLT SIZE 0.75 DIA	4	Z	3900
15	5305 99 941 0512	SCREW, MACHINE, HEX HD, S STEEL, ZINC PLD, 0.250 IN 28 UNF, 0.625 IN LG	22	Z	255206
16	5340 99 805 4997	PLUG, PROTECTIVE, PLASTIC, 0.500 IN HOLE DIA, 0.906 IN O/A DIA	2	X	338015
17	2910 98 856 3578	PLATE, CARBURETTOR VENT PIPES	1	Z	MRC6908
18	LOCALSOURCE	POP RIVET	4		-
19	5365 98 856 3556	SHIM, WING TO VALANCE	1	Z	MRC4037
20	5306 98 856 3403	BOLT, SPECIAL (FRONT WING TO DASH)	8	Z	AN605061



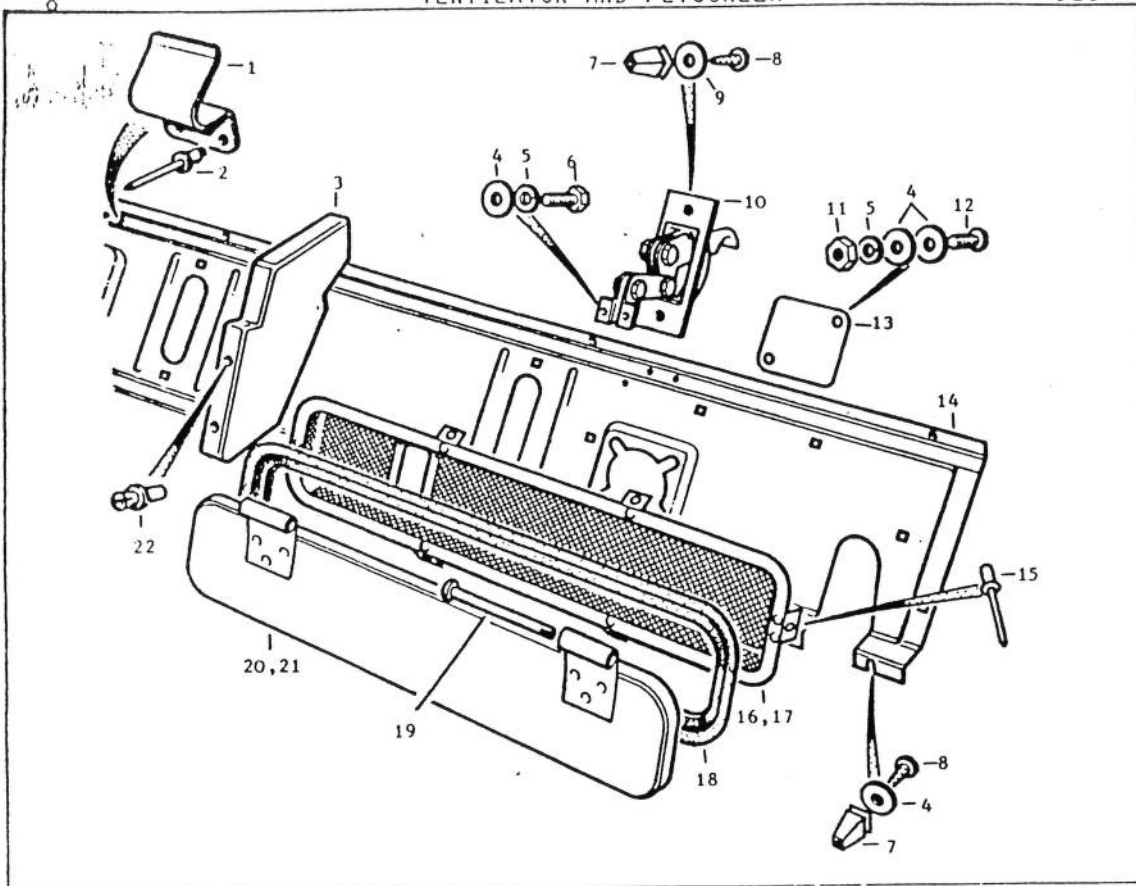
3B3

ILL NO	NSN	DESCRIPTION	QTY	R/L	NZMC
1	5305 99 941 0279	SCREW, MACHINE, HEX HD, S STEEL, ZINC PLD, 0.250 IN 28 UNF, 0.875 IN LG, GRADE 5	2	Z	MRC1367
2	5310 99 941 6654	WASHER, LOCK, SPLIT HELICAL RING, STEEL, 0.250 IN BOLT SIZE, 0.425 IN OD, 0.072 IN THK	20	Y	GHF331
3	5310 99 134 1989	WASHER, FLAT, RD, STEEL, CAD PLD, 0.250 IN NOM BOLT SIZE, 1 IN OD, 0.064 IN THK	10	Y	3817
4	2510 99 824 8242	BRACKET, MUDGUARD, RH	1	Z	MRC5504
5	2510 99 824 8243	BRACKET, MUDGUARD, LH	1	Z	MRC5505
6	2510 99 850 1401	PLATE, FIXING, SILL PANEL DASH	2	Z	MRC5511
7	5310 99 120 4032	WASHER, FLAT, RD, STEEL, ZINC PLD, 0.250 IN NOM BOLT SIZE, 0.562 IN OD, 0.056 IN THK	4	Z	RTC609
8	5310 99 804 7941	NUT, PLAIN, HEX, STEEL, ZINC PLD, 0.250 IN 28 UNF	18	Y	GHF200
9	2510 99 838 5607	MUDGUARD, VEHICULAR, RH	1	Z	MRC6081
10	2510 99 836 9709	MUDGUARD, VEHICULAR, L/H	1	Z	MRC6082
11	5305 99 941 0511	SCREW, MACHINE, HEX HD, S STEEL, ZINC PLD, 0.250 IN 28 UNF, 0.500 IN LG	10	Y	255204
12	2510 99 850 1942	STAY, FRONT WING	2	Z	332581
13	5310 99 822 1324	NUT, SPECIAL, MPP	6	Z	79246
14	5310 99 829 2295	WASHER, FLAT, STEEL, 0.250 IN ID, 0.875 IN OD, 0.062 IN THK	6	Z	WP8019
15	5305 99 123 3762	SCREW, PANEL FASTENER, STEEL, ZINC PLD, 0.250 IN 12 ACME, 0.625 IN LG	6	Z	303750
16	5305 99 941 0512	SCREW, MACHINE, UNF, S STEEL, HEX HD, ZN PLD, 0.250 X 0.625 IN LG CLASS 2A THD	4	Z	255206
17	2510 99 805 8669	PANEL, WING, VALANCE BOTTOM	1	Z	330584
18	5310 99 941 7070	NUT, PLAIN, HEX, STEEL, CAD PLD, NO 2 BA	4	Z	RTC608
19	5310 99 941 6653	WASHER, LOCK, SPLIT HELICAL RING, STEEL, 0.187 IN NOM BOLT SIZE, 0.330 IN OD, 0.064 IN THK	4	Z	WM702001
20	5310 99 941 8569	WASHER, FLAT, RD, STEEL, ZINC PLD, NO 2 BA NOM BOLT SIZE, 0.391 IN OD, 0.032 IN THK	8	Z	GHF306
21	5305 99 947 3250	SCREW, MACHINE, HEX HD, STEEL, CAD PLD, NO 2 BA, 0.500 IN LG	4	Z	234603
22	2530 99 850 1336	COVER BOX, STEERING BOX	1	Y	330459
23	5310 99 952 1024	WASHER, FLAT, RD, STEEL, CAD PLD, PASSIVATED, 0.270 IN ID, 0.562 IN OD, 0.036 IN THK	1	Y	GHF300



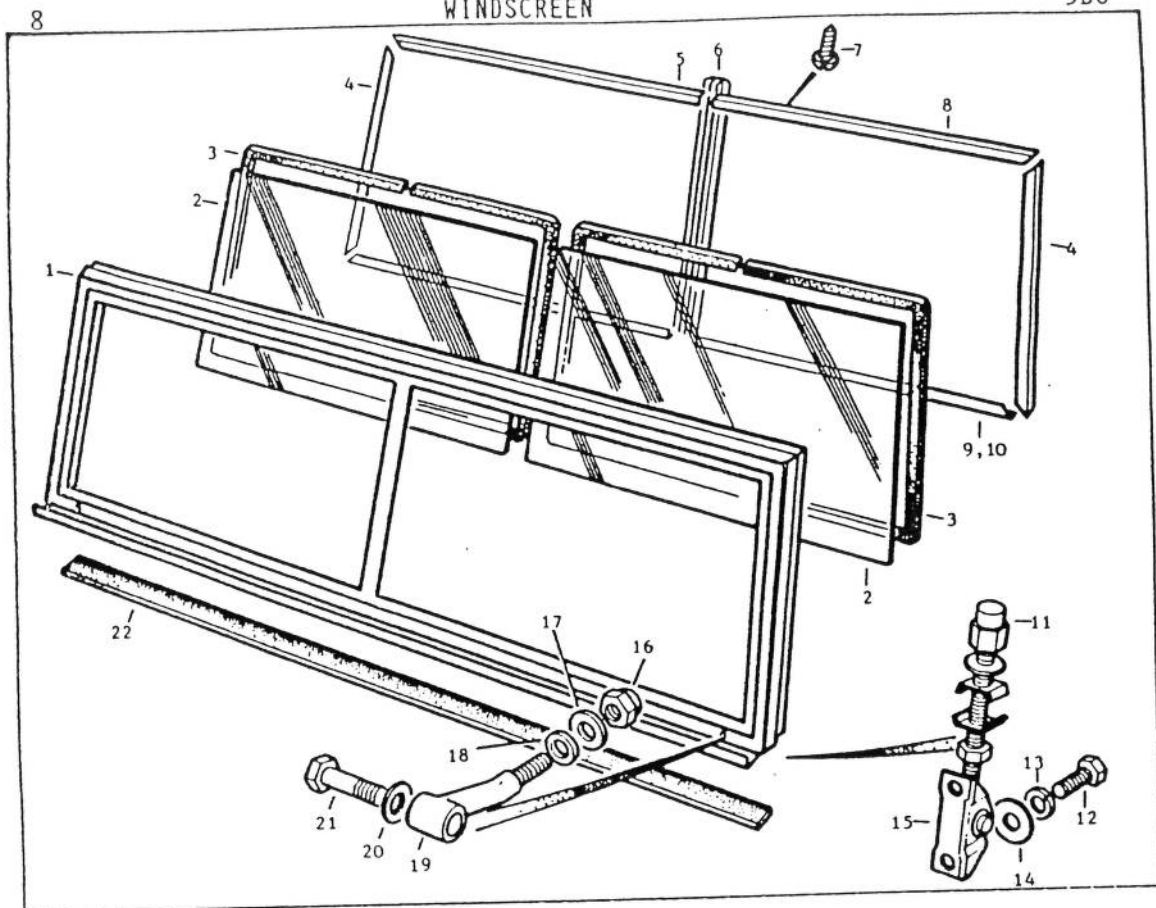
JBA

ILL NO	NSN	DESCRIPTION	QTY	R/L	NZMC
1	2510 99 744 6314	BULKHEAD, VEHICULAR	1	Z	NRC6080
2	5365 98 856 3576	BUFFER, RUBBER	2	Y	NRC6270
3	5320 99 105 0867	RIVET, BLIND, AL, UNIVERSAL HD, 0.125 IN NOM DIA, 0.125 IN NOM LG U/HD	3	Z	78257
4	5325 98 856 3540	FASTENER	1	Y	GHF1050
5	2540 99 829 7485	PLATE, BACKING	1	Z	NRC1149
6	2510 99 828 8633	SEAL, SYN RUBBER, STEERING COLUMN	1	Z	NRC1151
7	5320 99 120 8995	RIVET, BLIND, AL, UNIVERSAL HD, 0.125 IN NOM DIA, 0.125 IN NOM LG U/HD	3	Z	78390
8	2540 99 748 1443	PLATE, BLANKING	1	Z	395617
9	5310 97 137 6558	NUT, PLAIN, BLIND RIVET, STEEL, ZINC PLD, 0.250 IN 28 IMF, 0.375 IN DIA, 0.609 IN D/A H	10	Z	79240
10	5310 99 941 8424	NUT, PLAIN, HEX, STEEL, ZINC PLD, 0.500 IN 20 UNF, GRADE 5	2	Z	NH608061
11	5310 99 137 8853	WASHER, FLAT, RD, STEEL, PHOS FIN, 0.500 IN BOLT SIZE, 0.875 IN OD, 0.062 IN THK	1	Z	NB112081
12	5306 99 845 0274	BOLT, MACHINE, HEX HD, STEEL, ZINC OR CAD PLD, 0.500 IN 20 UNF, 7.175 IN LG	2	Z	536738
13	5320 99 970 3518	RIVET, BLIND, AL, UNIVERSAL HD, 0.187 IN NOM DIA, 0.437 IN NOM LG U/HD	12	Z	78248
14	2510 99 824 8248	PLATE, COVER	1	Z	346981
15	2510 99 824 8249	PLATE, COVER	1	Z	346599
16	5340 99 829 2306	BUTTON, PLUG, NYLON	2	Y	NRC1300
17	5310 99 136 3030	NUT, PLAIN, BLIND RIVET, STEEL, CAD PLD, 0.312 IN 24 UNF, 0.500 IN DIA, 0.630 IN D/A H	2	Z	79103
18	2510 99 824 8450	PLATE, COVER	1	Z	346598



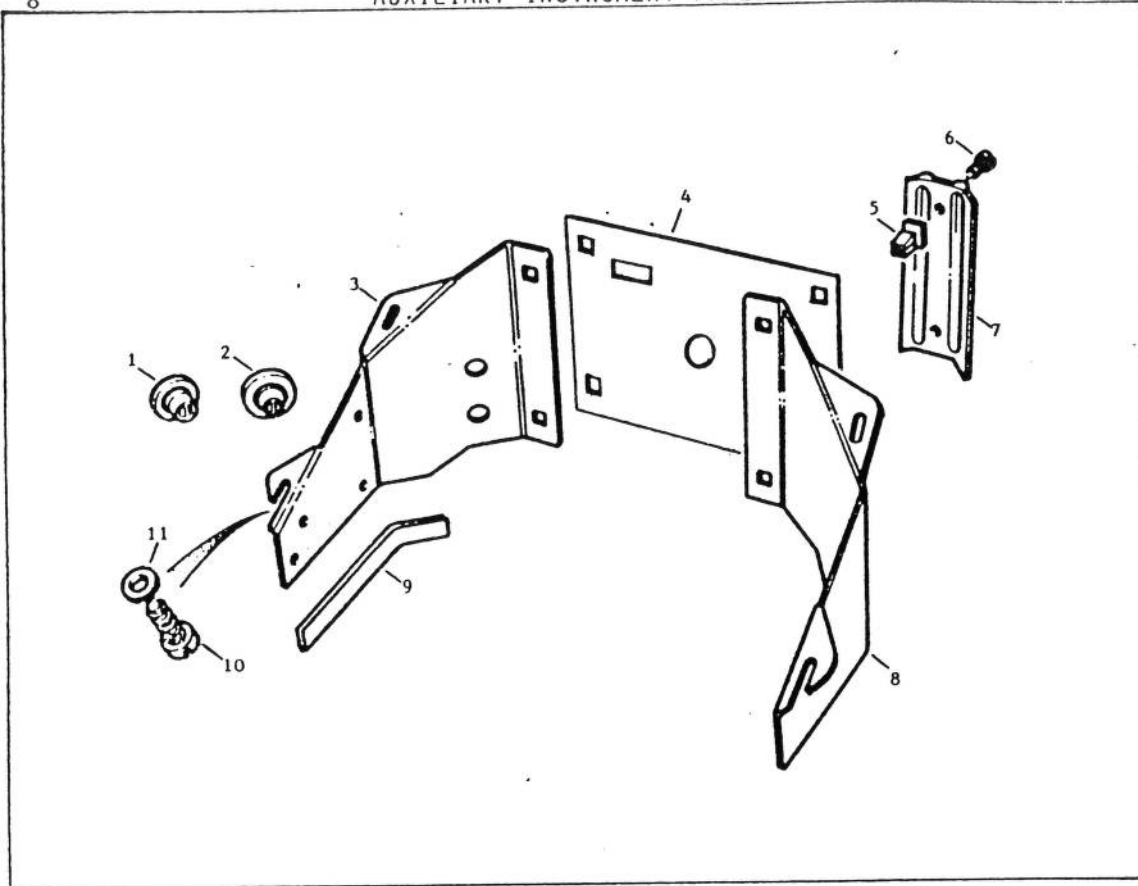
385

ILL NO	NSN	DESCRIPTION	QTY	R/L	NZMC
1	2540 98 856 3571	BRACKET, RETAINING, UPPER	1	Z	MRC5568
2	5320 99 120 9002	RIVET, BLIND, AL, UNIVERSAL HD, 0.187 IN NOM DIA, 0.562 IN NOM LG U/HD	2	Z	78410
3	2540 99 824 8606	DIVIDER, AIR FLOW, INSTRUMENT PANEL	1	Z	346941
4	5310 99 941 6866	WASHER, FLAT, RD, STEEL, CAD PLD, NO 2 BA NOM BOLT SIZE, 0.500 IN OD, 0.048 IN THK	17	Y	WC702101
5	5310 99 941 6653	WASHER, LOCK, SPLIT HELICAL RING, STEEL, 0.187 IN NOM BOLT SIZE, 0.330 IN OD, 0.064 IN THK	8	Y	WM702001
6	5305 99 947 3250	SCREW, MACHINE, HEX HD, STEEL, CAD PLD, NO 2 BA, 0.500 IN LG	4	Y	234603
7	5310 99 137 6356	NUT, ANCHOR, NYLON, 0.375 IN W, 0.375 IN LG, 0.312 IN H	9	Y	6HF1021
8	5305 99 941 8363	SCREW, TAPPING, THD FORMING, PAN HD, SLOT DRIVE, STEEL, CAD PLD, NO 10, 0.500 IN LG	9	Y	MRC3056
9	5310 99 137 6726	WASHER, FLAT, RD, STEEL, SHERADIZED, FINISH, 2 BA, NOM BOLT SIZE, 0.625 IN OD, 0.031 IN THK	4	Y	MRC3052
10	2510 99 824 3041	CONTROL MECHANISM, VENTILATOR	2	Y	346576
11	5310 99 941 2419	NUT, PLAIN, HEX, STEEL, ZINC PLD, 0.190 IN 32 UNF	4	Z	HN2005
12	5305 99 914 7989	SCREW, MACHINE, PAN HD, SLOT DRIVE, STEEL, CAD PLD, 0.190 IN 32 UNF, 0.500 IN LG	4	Z	78348
13	2540 99 824 8605	PLATE, BLANKING, DASH	2	Z	346749
14	2540 98 856 3353	PLATE, FRONT UPPER, CRASH PADDING	1	Z	MRC305
15	5320 99 137 6548	RIVET, BLIND, AL, UNIVERSAL HD, 0.156 IN LG, 0.265 IN LG, 0.125 IN LG GRIP	12	Z	78925
16	2540 99 828 4094	FLYSCREEN ASSY, VENTILATOR, RH	1	Z	} 395785
17	2540 99 828 4095	FLYSCREEN ASSY, VENTILATOR, LH	1	Z	
18	2540 99 825 5223	SEAL, DASH VENTILATOR	2	Y	396189
19	5320 99 845 0181	RIVET, SPLIT, VENTILATOR HINGE LID	4	Y	334121
20	2540 99 811 0156	LID, VENTILATOR, DASH, RH	1	Y	345845
21	2540 99 809 8193	LID, VENTILATOR, DASH, LH	1	Y	345846
22	5320 99 619 9368	RIVET, BLIND, PLASTICS, BD HD, 0.187 IN DIA, 0.218 IN LG, 0.046 IN GRIP	2	Z	79106



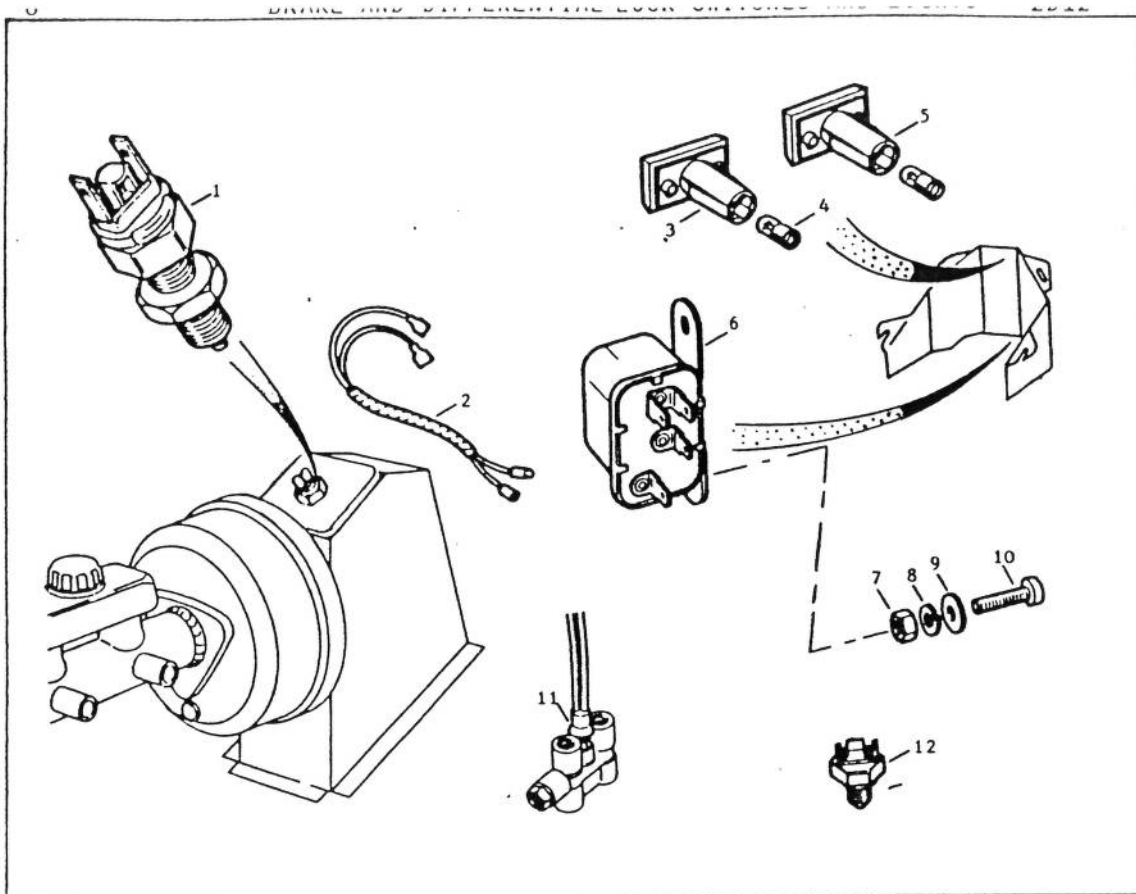
386

ILL NO	NSM	DESCRIPTION	QTY	R/L	NZMC
		WINDSCREEN, VEHICULAR	1	Y	MRC9560
1	2510 99 822 6550	GLASS, LAMINATED, WINDOW PANEL, VEHICULAR	2	Y	MTC5318
2	2510 99 808 4091	STRIP, GLAZING, MASTIC TAPE, 0.500 IN W, 0.031 IN THK	1	Y	78159
3	9320 99 440 7619	RETAINER, WINDSCREEN, VERTICAL	2	Y	330667
4	2510 99 850 1425	RETAINER, WINDSCREEN, LONGITUDINAL, TOP, RH	1	Y	330668
5	2510 99 850 1426	RETAINER, WINDSCREEN, LONGITUDINAL, TOP, LH	1	Y	336422
6	2510 99 805 4564	RETAINER, WINDSCREEN, GLASS, CENTRE	1	Y	AB604031
7	5305 99 121 4832	SCREW, TAPPING, THD FORMING, PAN HD, SLOT DRIVE, STEEL, CAD PLD, NO 4, 0.375 IN LG	37	Y	330669
8	2510 99 850 1427	RETAINER, WINDSCREEN, LONGITUDINAL TOP, LH	1	Y	347637
9	2510 99 824 8600	RETAINER, WINDSCREEN, LONGITUDINAL, BOTTOM, RH	1	Y	347638
10	2510 99 824 8601	RETAINER, WINDSCREEN, LONGITUDINAL, BOTTOM, LH	2	Y	338240
11	2540 99 824 8602	MUT, TURRET, 0.312 IN 24 UNF, PROTECTIVE CAPPED	4	Y	255206
12	5305 99 941 0512	SCREW, MACHINE, HEX HD, 6 STEEL, ZINC PLD, 0.250 IN 28 UNF, 0.625 IN LG	4	Y	GHF831
13	5310 99 941 6654	WASHER, LOCK, SPLIT HELICAL RING, STEEL, 0.250 IN BOLT SIZE, 0.425 IN OD, 0.072 IN THK	2	Y	RTC622
14	5310 99 101 7838	WASHER, FLAT, RD, STEEL, ZINC PLD, 0.265 IN ID, 0.620 IN OD, 0.056 IN THK	2	Y	MRC2416
15	5340 99 831 7663	CLAMP, WINDSCREEN, EYEBOLT AND PIN ASSY	2	Y	GHF222
16	5310 99 941 3525	MUT, SELF LOCKING, HEX, STEEL, ZINC PLD, 0.312 IN 24 UNF	2	Y	WB108051
17	5310 99 122 3034	WASHER, FLAT, RD	2	Y	232038
18	5330 99 849 9236	GASKET, JOINT	2	Y	346984
19	2510 99 824 3044	HINGE, ARM, WINDSCREEN	2	Y	4574
20	5310 99 941 8635	WASHER, FLAT, RD, STEEL, ZINC PLD, 0.375 IN NOM BOLT SIZE, 0.750 IN OD, 0.072 IN THK	2	Y	MRC6074
21	2540 99 824 2723	BOLT, HINGE	1	Y	395430
22	5330 99 824 3043	SEALING, RUBBER, DASH TO WINDSCREEN, 39 IN LG, 1 IN W, 0.281 IN THK			



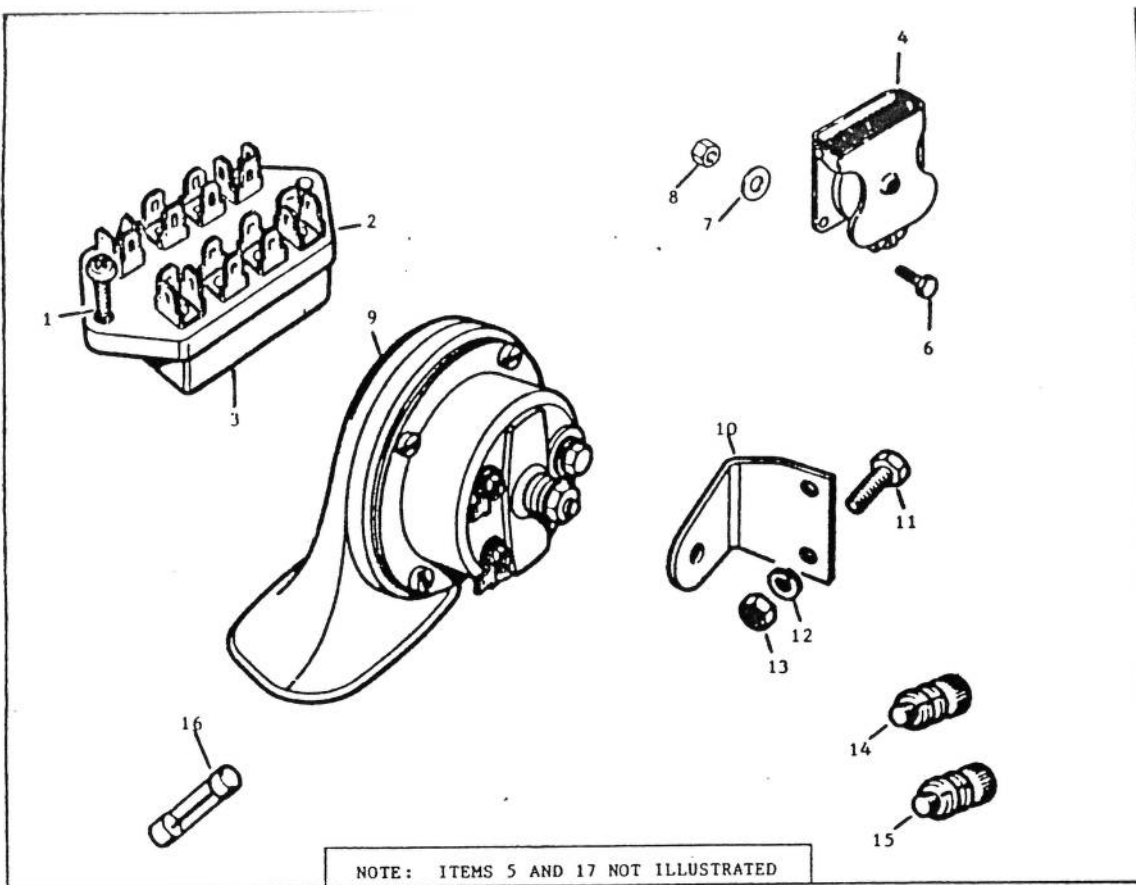
2011

ILL NO	MSN	DESCRIPTION	QTY	R/L	NZMC
1	NOTPROVIDED	PLUS, PROTECTIVE, DUST AND MOISTURE, 0.500 IN HOLE DIA, 0.906 IN O/A DIA	1		338015
2	NOTPROVIDED	GROMMET, BLANK, NON-METALLIC	1		338017
3	NOTPROVIDED	PANEL, AUXILIARY DASH, RH	1		MRC4426
4	NOTPROVIDED	PANEL, CENTRE, AUXILIARY DASH	1		347388
5	5310 99 137 6356	NUT, ANCHOR, NYLON, 0.375 IN W, 0.375 IN LG, 0.312 IN H	4	X	6HF1021
6	5305 99 977 3251	SCREW, TAPPING, THD FORMING, PAN HD, SLOT DRIVE, STEEL, ZINC PLTD, NO 6 X 0.625 IN LG	4	X	79156
7	2540 99 825 4920	TRIM, AUXILIARY PANEL, 28 MM W, W SECTION, 135 MM O/A LG	2	Y	347424
8	NOTPROVIDED	PANEL, AUXILIARY DASH, LH	1		MRC4516
9	2540 99 825 4676	STRIP, EDGING, RUBBER, U SECTION, 4.625 IN LG	2	Y	347308
10	5305 99 901 9736	SCREW, TAPPING, THD FORMING, PAN HD, SLOT DRIVE, STEEL, CND PLTD, NO 6 X 0.375 IN LG	4	Y	AB606031
11	5310 99 136 4549	WASHER, FLAT, RD, STEEL, ZINC PLTD, 0.562 IN ID, 0.500 IN OD, 0.031 IN HTK	4	Y	4032



2012

ILL NO	NSN	DESCRIPTION	QTY	R/L	NZMC
1	5930 99 822 6376	SWITCH, SPOTLIGHT (STOPLIGHT)	1	X	575166
2	NOTPROVIDED	CABLE ASSY, SPOTLIGHT SWITCH TO MAIN HARNESS	1		PRC2427
3	6220 99 838 0754	LIGHT, INDICATOR, PLASTICS, RECTANGULAR LENS	1	X	PRC1814
4	6240 99 995 9145	LAMP, FILAMENT, 24V, 3W, CAP, BA 75	2	X	GLB293
5	6210 99 824 5070	LIGHT, INDICATOR FOR DIFFERENTIAL LOCK	1	I	PRC2190
6	5945 99 838 0756	RELAY, ELECTROMAGNETIC, 24V, C/W BRKT	1	X	PRC2139
7	5310 99 941 2419	NUT, PLAIN, HEX, 0.190 IN 32 UNF	2	I	257023
8	5310 99 941 6653	WASHER, LOCK, SPLIT HELICAL RING, STEEL, ZINC PLTD, 0.187 IN NOM BOLT SIZE, 0.330 IN OD, 0.064 IN THK	2	X	WM702001
9	5310 99 941 8543	WASHER, FLAT, RD, STEEL, ZINC PLTD, 0.203 IN NOM BOLT SIZE, 0.500 IN OD, 0.046 IN THK	2	X	WC702101
10	5305 99 914 6221	SCREW, MACHINE, HEX HD, STEEL, CAD PLTD, 0.190 IN 32 UNF, 0.625 IN LG	2	X	79291
11	5930 98 856 3683	SWITCH, BRAKE FLUID PRESSURE	1	X	PRC2436
12	5930 99 824 7053	SWITCH, PUSH, CLUTCH LOCKUP WARNING	1	X	PRC1039



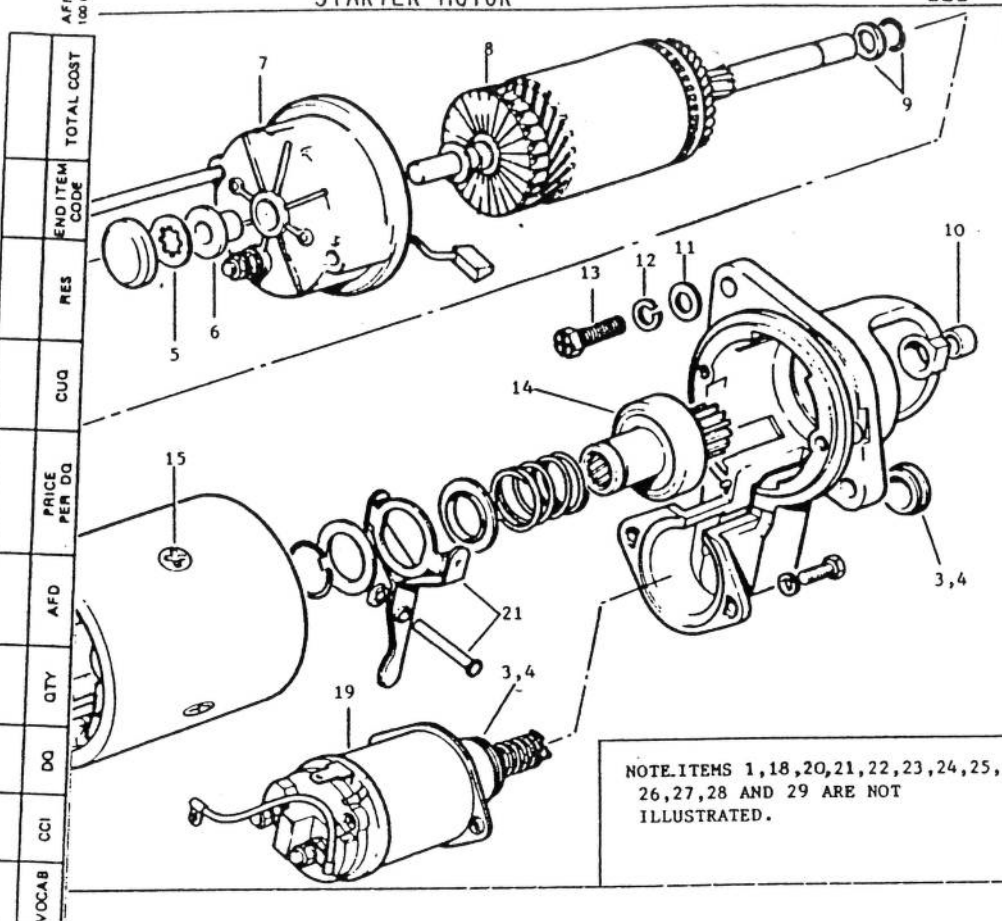
2D13

ILL NO	NSN	DESCRIPTION	QTY	R/L	NZMC
1	5305 99 137 9230	SCREW	2	X	AFU1088
2	5920 99 825 9266	FUSE BLOCK	1	X	575395
3	5920 99 828 6275	COVER, FUSE ACCESS	1	X	-
4	5935 66 010 7853	CONNECTOR, RECEPTACLE, ELECTRICAL, 12 CONTACTS, C/W SPRING LOADED COVER	1	X	551536
5	6145 66 039 6398	CABLE, SPECIAL PURPOSE, ELECTRICAL, 10 CONDUCTORS	1	X	PRC5222
6	5306 99 941 0282	BOLT, MACHINE, HEX HD, 8 STEEL, ZINC PLTD, 0.250 IN 24 UNF, 1.250 IN LG	4	X	8H604241
7	5310 99 941 6654	WASHER, LOCK, SPLIT HELICAL RING, STEEL, 0.250 IN NOM BOLT SIZE, 0.425 IN OD, 0.072 IN THK	4	X	NM600041
8	5310 99 804 7941	NUT, PLAIN, HEX, STEEL, ZINC PLTD, 0.250 IN 24 UNF	4	X	NH604041
9	6350 98 856 3682	HORN	1	X	PRC2202
10	NOTPROVIDED	BRACKET, HORN MOUNTING	1		PRC2006
11	NOTPROVIDED	SCREW, MACHINE, HEX HD, STEEL, ZINC PLTD, 0.250 IN 28 UNF, 0.750 IN LG	2		255207
12	NOTPROVIDED	WASHER, LOCK, SPLIT HELICAL RING, STEEL, 0.250 IN BOLT SIZE, 0.425 IN OD, 0.072 IN THK	2		8HF331
13	NOTPROVIDED	NUT, PLAIN, HEX, STEEL, ZINC PLTD, 0.250 IN 28 UNF	2		8HF200
14	5935 99 824 3463	SOCKET, INSPECTION LAMP, BLACK	1	X	579122
15	5935 99 824 3464	SOCKET, INSPECTION LAMP, RED	1	X	579121
16	5920 98 856 0462	FUSE	1	X	UPUK 35
17	2920 98 107 7671	FUSE BOX (NATO SOCKET)	1	X	PRC51

MODEL QTY	FURTHER DESCRIPTION													BASE D/H	
	(p)	(b)	(i)	(j)	(k)	(l)	(m)	(n)	(o)	(p)	(q)	(r)	(s)		(t)
Illustratio															
2															
RE															

QTY SMR 30 DAYS 1st LINE 60 DAYS OFF 60 DAYS 2nd LINE FD SPT

The ISR Quantity is the sum of = Initial Stock + AFD + Lead Time (in months) AFD = Column 21 of RPS



NOTE: ITEMS 1, 18, 20, 21, 22, 23, 24, 25, 26, 27, 28 AND 29 ARE NOT ILLUSTRATED.

PLT STARTER MOTOR AND DESCRIPTION

2E1

ILL NO	MSN	DESCRIPTION	QTY	R/L	NZMC
1	2920 99 823 6020	STARTER, ENGINE, ELECTRICAL, 24V, MODEL 3M 100 PE	1	X	589817
2		BOLT STARTER MOTOR	2	X	RTC839
3	5330 98 856 0446	PARTS KIT, STARTER, COMPRISING: CUP WASHER, GROMMET, SHROUD, CAP, OIL SEAL AND "O" RING	1	Y	RTC836
4	2920 99 822 9533	PARTS KIT, STARTER, COMPRISING: CUP WASHER, GROMMET, SHROUD, CAP, OIL SEAL AND "O" RING	1	Y	AEU2596
5	5310 99 209 6703	WASHER, LOCK, STEEL, 0.70 MM ID, 1 MM OD	1	Y	
6	5365 98 856 3352	BUSH, STARTER MOTOR	1	Y	37H4702
7	2920 99 827 9588	PARTS KIT, STARTER, COMPRISING: BRKT ASSY, BRUSHES AND LEADS	1	Y	RTC931
8	2920 98 856 3700	ARMATURE, STARTER MOTOR	1	Y	
9	2920 99 207 5985	DRIVE RETENTION, COMPRISING: CIRCLIP AND COLLAR THRUST	1	Y	
10	3110 99 204 7345	BEARING, SLEEVE, BRONZE, 0.474 IN ID, 0.593 IN OD, 0.660 IN LG	1	Y	517467
11	5310 99 122 6476	WASHER, FLAT, RD, STEEL, ZINC PLTD, 10 MM NOM BOLT SIZE, 21 MM OD, 2 MM THK	2	X	GHF302
12	5310 99 941 6656	WASHER, LOCK, SPLIT HELICAL RING, STEEL, 0.375 IN NOM BOLT SIZE, 0.590 IN OD, 0.092 IN THK	2	X	GHF333
13	5306 98 856 3697	BOLT	2	X	93506121
14	2920 98 856 3689	DRIVE ASSY, BEAR	1	Y	RTC834
15		NOTPROVIDED POLE SCREW (USE ITEM 25)	4		
16	5911 98 856 0469	BRUSH SET, STARTER	1	Y	GS8144
17	2920 99 822 6045	BRUSH SET, STARTER	1	Y	AAU1405
18		NOTPROVIDED BRUSH SPRING (USE ITEM 25)	4		
19	2920 99 823 5593	SOLENOID, ELECTRICAL, STARTER, 24V, TYPE 19S	1	Y	AEU2595
20	2920 99 823 5594	PARTS KIT, SOLENOID, COMPRISING BASE AND SPINDLE ASSEMBLIES.	1	Y	AEU2596
21	2920 99 822 9535	PARTS KIT, STARTER, COMPRISING, LEVER AND PLATE ASSY, PIVOT PIN AND RING	1	Y	RTC1323
22		NOTPROVIDED THRUST WASHER (USE ITEM 25)	2		
23		NOTPROVIDED RETAINING RING (USE ITEM 25)	1		
24		NOTPROVIDED NUTS (USE ITEM 25)	4		90408178
25	2920 99 820 3999	PARTS KIT, SUNDRY, STARTER, COMPRISING ITEMS: 5, 9, 15, 22, 23 AND 24	1	Y	90408178
26	2590 99 820 7563	LEAD, ELECTRICAL, STARTER MOTOR EARTH TO LH TOEBOX	1	X	90575185
27	5305 99 941 0525	SCREW, MACHINE, HEX HD, S STEEL, ZINC PLTD, 0.312 IN 24 UNF, 0.750 IN LG	1	X	255226
28	5310 99 122 6475	WASHER, FLAT, RD, STEEL, ZINC PLTD, 8 MM NOM ID, 17 MM OD, 1.60 MM THK	1	X	4047
29	5310 99 941 3525	MUT, SELF LOCKING, HEX, STEEL, ZINC PLTD, 0.312 IN 24 UNF	1	X	NY605041

ITEM NAME AND DESCRIPTION

MODEL QTY												
Illustrated												
2 X												
QTY REQ												
FURTHER DESCRIPTION												
(w)	(x)	(y)	(z)	(aa)	(ab)	(ac)	(ad)	(ae)	(af)	(ag)	(ah)	(ai)
90 DAYS 1st LINE				90 DAYS 2nd LINE				FD SPT				
SMR				OFF				BASE O/H				

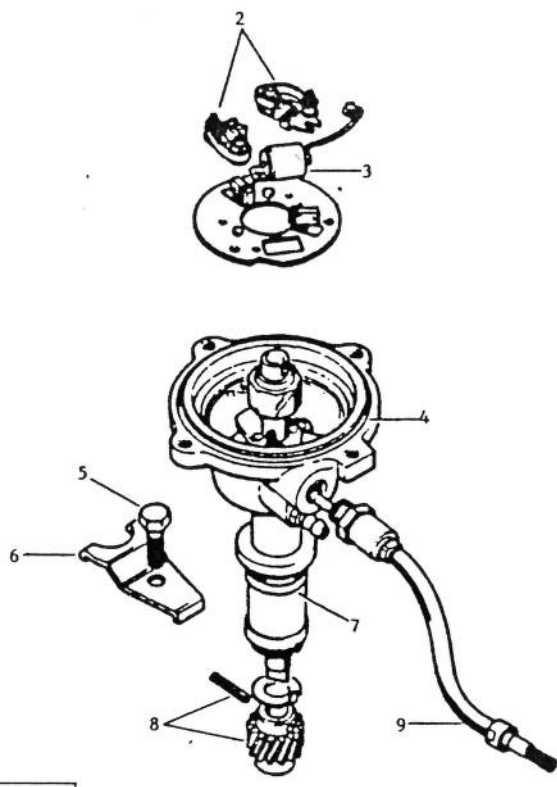
The ISR Quantity is the sum of = Initial Stock + AFD + Lead Time (in months) AFD = Column 21 of MPS

(21 5421044)

23M14 HAU 1313

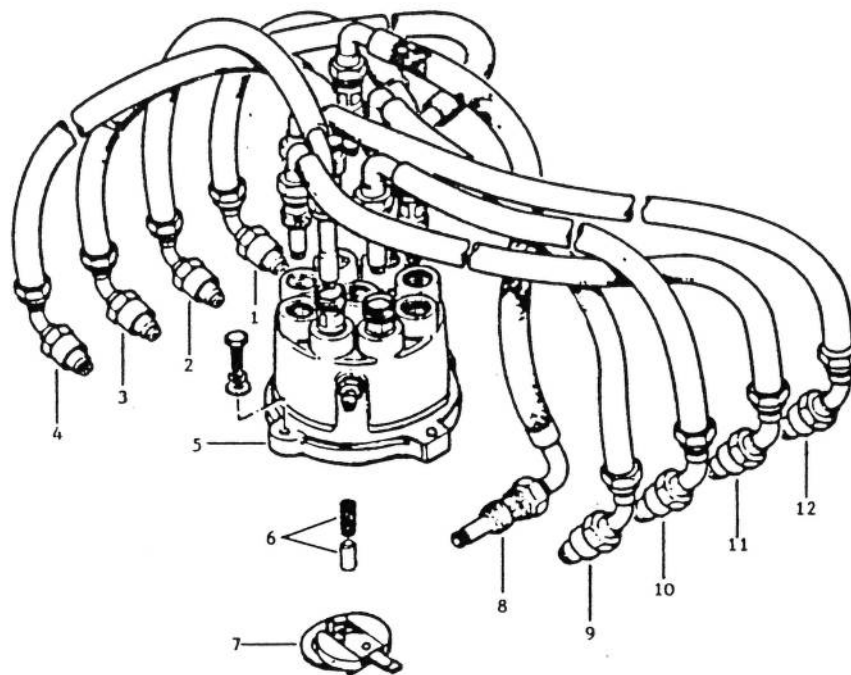
VOCAB	CCI	DO	QTY	AFD	PRICE PER DO	CUG	RES	END ITEM CODE	TOTAL COST
-	-	8	4	1	2	4			

NOT ILLUSTRATED



ILL NO	NSN	DESCRIPTION	QTY	R/L	NZMC
1	2920 98 856 3491	DISTRIBUTOR, C/W H.T. LEADS	1	X	ERC9169
2	2920 99 823 6017	Contact Gear	2	X	AAU1393
3	5930 99 823 6018	CAPACITOR ASSY, C/W CLIP AND LEAD	1	X	AAU1395
4	5330 98 856 3397	PACKING, PREFORMED, SYN RUBBER, "O" RING	1	X	AEU2540
5	5305 98 856 3543	SCREW, DISTRIBUTOR MOUNTING	1	X	253047
6	5999 99 824 3837	PLATE, MOUNTING	1	X	602397
7	5330 99 822 2422	RING, SEALING, TOROIDAL	1	X	608446
8	3020 99 829 9521	GEAR, HELICAL, C/W COUPLING AND PIN	1	X	ERC1853
9	6150 98 856 3398	LEAD, LOW TENSION, COIL TO DISTRIBUTOR	1	X	AEU2541

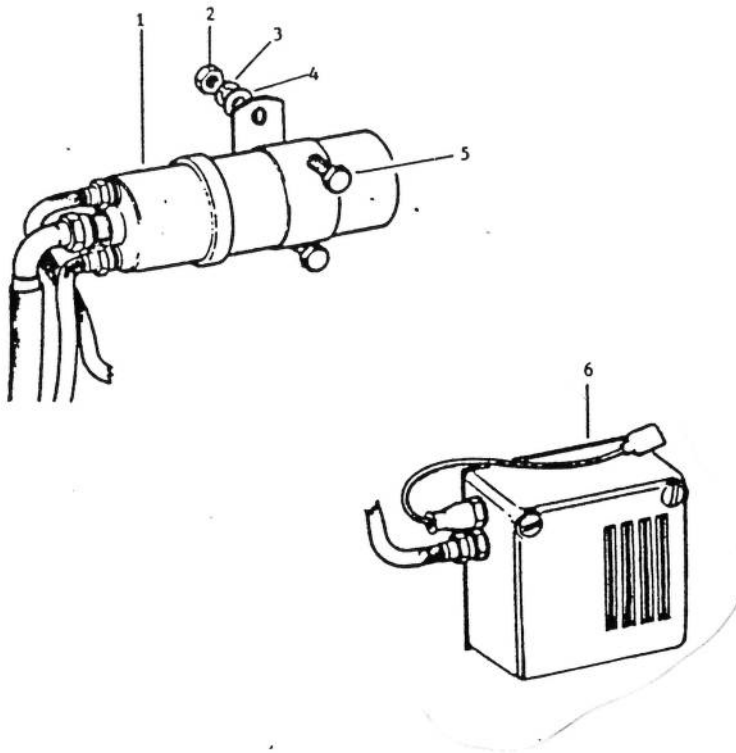
99-796-6892



NOTE. ITEM 13 NOT ILLUSTRATED

2E3

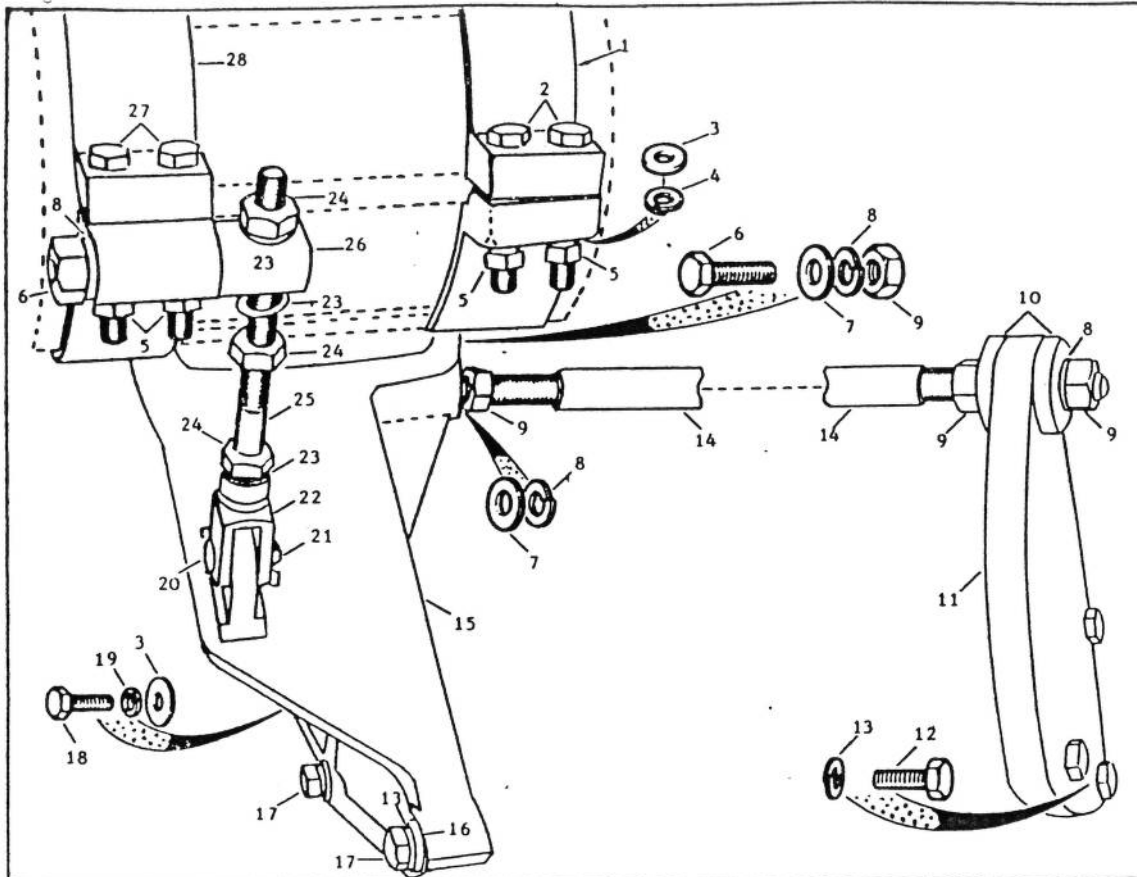
ILL NO	NSN	DESCRIPTION	QTY	R/L	NZMC
1	2920 98 856 3496	LEAD, HIGH TENSION, NO 8	1	X	ERC9286
2	2920 98 856 3499	LEAD, HIGH TENSION, NO 6	1	X	ERC9289
3	2920 98 856 3498	LEAD, HIGH TENSION, NO 4	1	X	ERC9288
4	2920 98 856 3493	LEAD, HIGH TENSION, NO 2	1	X	ERC9283
5	2920 99 823 6015	CAP, IGNITION DISTRIBUTOR	1	X	AAU1394
6	5977 99 806 4008	BRUSH, ELECTRICAL CONTACT, WITH SPRING	1	X	600726
7	2920 99 823 6016	LIMITER, SPEED	1	X	AAU1396
8	2920 98 856 3501	LEAD, HIGH TENSION, COIL TO DISTRIBUTOR	1	X	ERC9291
9	2920 98 856 3497	LEAD, HIGH TENSION, NO 1	1	X	ERC9287
10	2920 98 856 3494	LEAD, HIGH TENSION, NO 3	1	X	ERC9284
11	2920 98 856 3495	LEAD, HIGH TENSION, NO 5	1	X	ERC9285
12	2920 98 856 3500	LEAD, HIGH TENSION, NO 7	1	X	ERC9290
13	2920 99 893 5688	PLUG, SPARKING, 14 MM THK, 0.750 IN SHELL REACH	8	X	R3N8



NOTE: ITEMS 7-12 NOT ILLUSTRATED

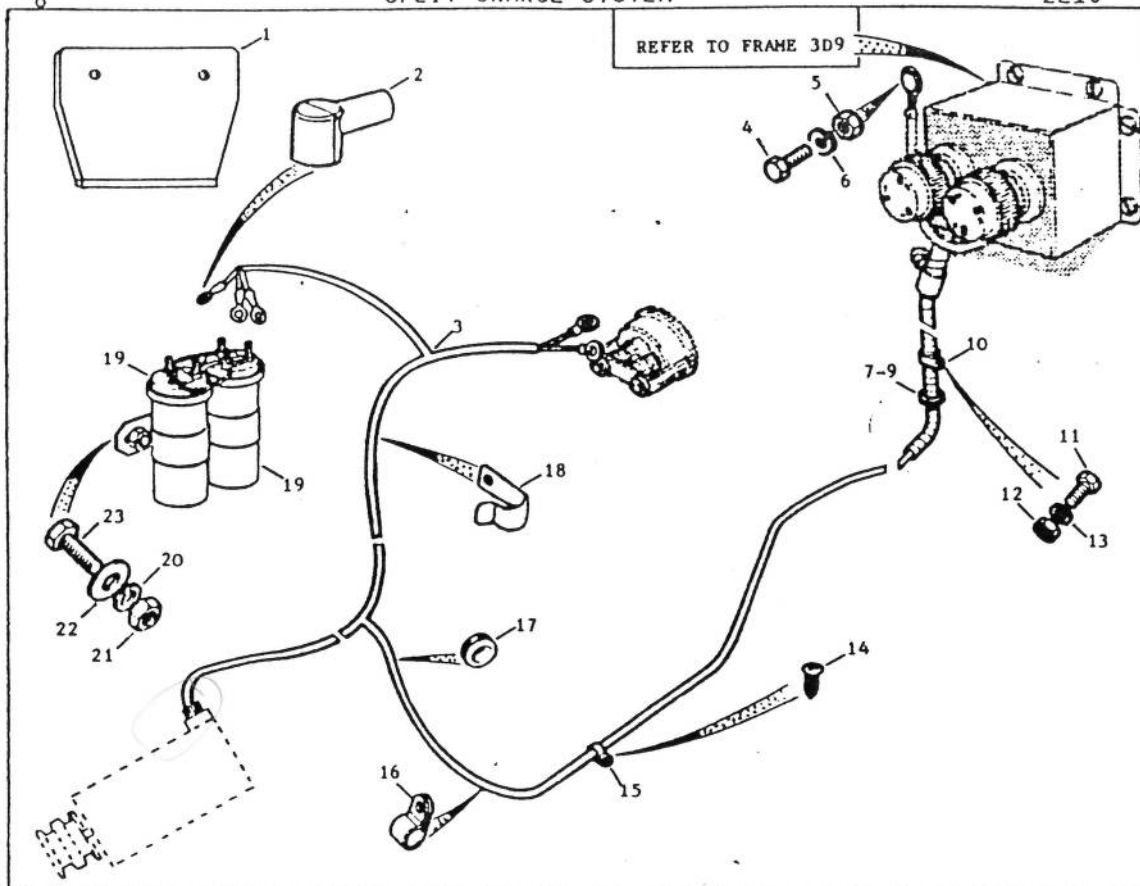
2EA

ILL NO	MSN	DESCRIPTION	QTY	R/L	NZMC
1	2920 99 824 9519	COIL, IGNITION, C/W MTS BRKT - 99-806-6451	1	X	552765
2	5310 99 804 7941	NUT, PLAIN, HEX, STEEL, ZINC PLD, 0.250 IN 28 UNF	2	X	NH604041
3	5310 99 941 6654	WASHER, LOCK, SPLIT HELICAL RING, STEEL, 0.250 IN BOLT SIZE, 0.425 IN OD, 0.072 IN THK	2	X	WM600041
4	5310 98 103 3814	WASHER, FLAT, BRIGHT STEEL, 0.250 IN ID, 0.562 IN OD, 0.031 IN THK	2	X	3900
5	5305 99 941 0513	SCREW, MACHINE, HEX HD, STEEL, ZINC PLD, 0.250 IN 28 UNF, 0.750 IN LG	2	X	1255207
6	2540 99 825 5237	FILTER UNIT, IGNITION COIL	1	Y	552606
7	2920 99 823 8356	BASEPLATE ASSY, FILTER BOX	1	Y	589596
8	2540 99 820 8142	CLIP SUPPORT BRACKET	1	Y	552529
9	5305 99 941 0525	SCREW, MACHINE, HEX HD, STEEL, ZINC PLD, 0.312 IN 24 UNF, 0.750 IN LG	4	Y	5H606061
10	5310 99 122 6475	WASHER, FLAT, RD, STEEL, ZINC PLD, 8 MM NOM ID, 17 MM OD, 1.60 MM THK	4	Y	WA108051
11	5310 99 941 6655	WASHER, LOCK, SPLIT HELICAL RING, STEEL, 0.312 IN BOLT SIZE, 0.500 IN OD, 0.078 IN THK	4	Y	WM600051
12	5310 99 941 0925	NUT, PLAIN, HEX, STEEL, ZINC PLD, 0.312 IN 24 UNF	4	Y	NH605041



2E3

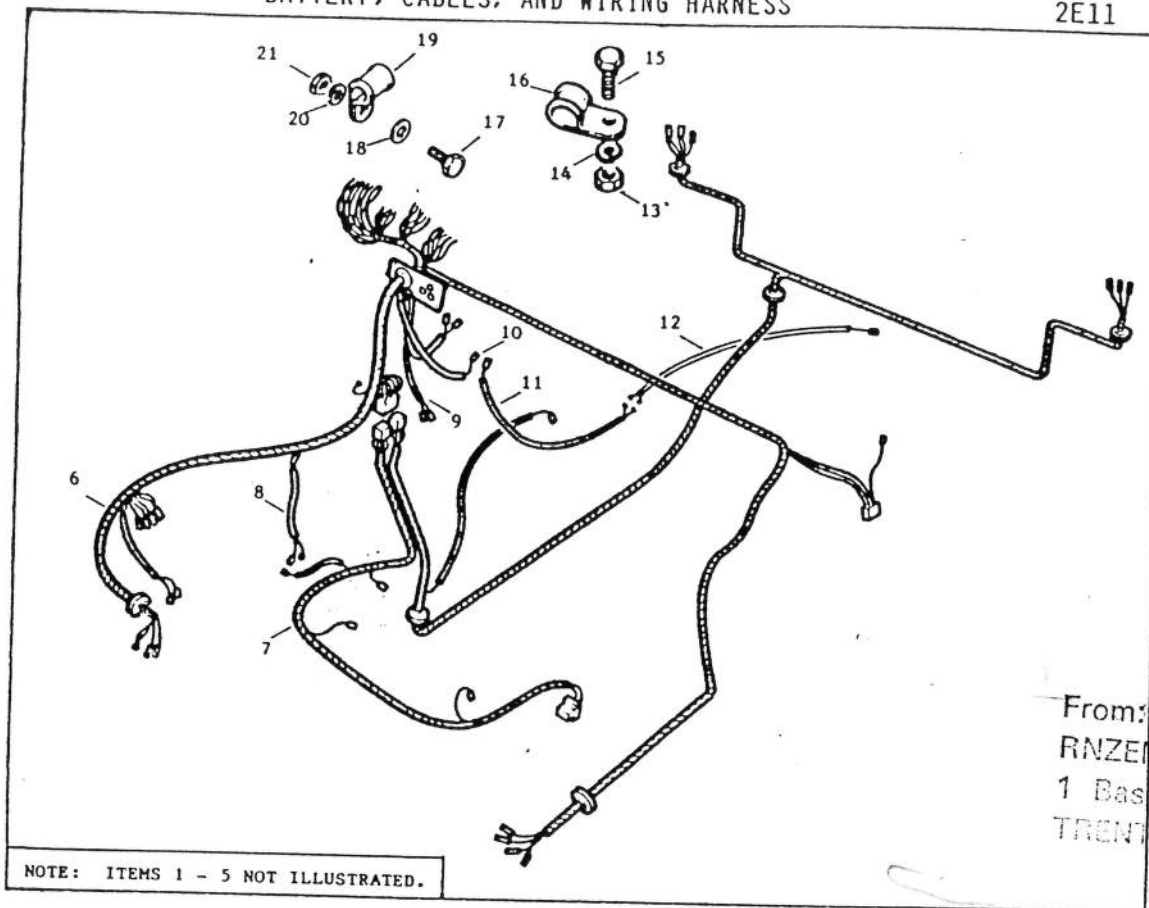
ILL. NO	MSN	DESCRIPTION	QTY	R/L	NZMC
1	2920 98 856 3482	ALTERNATOR STRAP, REAR	1	Y	ERC9146
2	5306 99 122 5256	BOLT, MACHINE, ISO METRIC, HEX HD, ZN/PLD, 8.000 MM X 1.250 MM PITCH, 50.000 MM LG, CLASS 68 THD	2	Y	
3	5310 99 122 6475	WASHER, FLAT, RD, ST, ZN/PLD, 8 MM NOM ID, 17 MM OD, 1.600 MM THK	1	Y	
4	5310 99 137 9231	WASHER, LOCK, SPLIT HELICAL RING, ST, ZN/PLD, 8 MM NOM HOLE SIZE, 14.850 MM OD, 2 MM THK	4	Y	
5	5310 99 122 5296	NUT, PLAIN, HEX, ST, ISO METRIC, 8 MM, 1.250 MM PITCH, GRADE 8	4	Y	
6	5306 99 122 2788	BOLT, MACHINE, ISO METRIC, ST, HEX HD, ZN/PLD, 12.000 MM X 1.750 MM PITCH, 50.000 MM LG, CLASS 68 THD	2	X	
7	5310 99 122 6477	WASHER, FLAT, RD, ST, ZN/PLD, 12 MM NOM BOLT SIZE, 24 MM OD, 2.500 MM THK	3	X	
8	5310 99 138 9229	WASHER, LOCK, SPLIT HELICAL RING, Z/PLD, 12.000 MM NOM SIZE, 17.900 MM OD, 2.500 MM THK	6	X	
9	5310 99 122 5298	NUT, PLAIN, HEX, ST, ZN/PLD, ISO METRIC, 12 MM, 1.750 MM PITCH	6	X	
10	5310 99 138 0364	WASHER, FLAT, RD, STEEL, PHOS FINISH, 0.500 IN NOM BOLT SIZE, 1.500 IN OD, 0.250 IN THK	2	Y	
11	2920 98 856 3488	BRACKET, TIE-BAR	1	Y	ERC9158
12	5306 99 941 1552	BOLT, MACHINE, HEX HD, S STEEL, ZN/PLD, 0.375 IN 16 UNC, 1.500 IN LG	3	Y	
13	5310 99 941 6656	WASHER, LOCK, SPLIT HELICAL RING, 0.375 IN NOM BOLT SIZE, 0.590 IN OD, 0.092 IN THK	3	Y	
14	2920 98 856 3490	TIE-BAR	1	Y	ERC9161
15	2920 98 856 3480	ALTERNATOR BRACKET	1	Y	ERC9144
16	5310 99 122 6476	WASHER, FLAT, RD, STEEL, ZN/PLD, 10 MM NOM BOLT SIZE, 21 MM OD, 2 MM THK	2	Y	
17	5306 99 941 1554	BOLT, MACHINE, HEX, HD, S STEEL, ZINC PLTD, 0.375 IN 16 UNC, 2 IN LG	2	Y	
18	5306 99 941 1540	BOLT, MACHINE, UNC ST, HEX HD, ZN/PLD, 0.313 IN X 2.000 IN LG, CLASS 2A THD	1	Y	
19	5310 99 941 6655	WASHER, LOCK, SPLIT HELICAL RING, ST, 0.312 NOM BOLT SIZE, 0.500 IN OD, 0.078 IN THK	1	Y	
20	2920 98 856 3485	PIN, CLEVIS - 99-751-8500	1	X	ERC9153
21	2920 98 856 3486	PIN, RETAINER - 99-209-9337	1	X	ERC9154
22	2920 98 856 3484	CLEVIS	1	Y	ERC9152
23	5310 99 138 9228	WASHER, LOCK, SPLIT HELICAL RING, ST, ZN/PLD, 10 MM NOM SIZE, 15.900 MM OD, 2.500 MM THK	3	Y	
24	5310 99 122 5297	NUT, PLAIN, HEX, S STEEL, ZN/PLD, ISO METRIC, 10 MM, 1.500 MM PITCH, GRADE 8	3	Y	
25	2920 98 856 3483	ROD, ADJUSTING	1	Y	ERC9151
26	2920 98 856 3489	BLOCK, ADJUSTING	1	Y	ERC9159
27	5306 99 122 5258	BOLT, MACHINE, HEX HD, ZN/PLD, ST, ISO METRIC, 8 MM, 1.250 MM PITCH, 65 MM LG	2	Y	
28	2920 98 856 3481	ALTERNATOR STRAP, FRONT	1	Y	ERC9145



2E10

ILL NO	NSN	DESCRIPTION	QTY	R/L	NZMC
1	NOTPROVIDED	PLATE, DIODE PROTECTION	1	X	
2	2590 99 818 6297	BOOT, DUST AND MOISTURE SEAL, WIRING HARNESS	4	X	
3	2920 98 856 3676	CABLE ASSY, SPLIT CHARGE	1	Y	
4	5305 99 122 5361	SCREW, MACHINE, HEX HD, STEEL, ZINC PLTD, ISO METRIC, 6 MM, 1 MM PITCH, 20 MM LG	1	Y	
5	5310 99 122 5295	NUT, PLAIN, HEX, ST, ISO METRIC 6 MM, 1 MM PITCH, GRADE 8	1	Y	
6	5310 99 137 9232	WASHER, LOCK, SPLIT HELICAL RING, STEEL, ZN/PLD, 6 MM NOM HOLE SIZE, 9.600 MM OD, 1.500 MM THK	1	Y	
7	5325 98 107 7701	GROMMET, RUBBER, (CABLEFORM TO TERMINAL BOX)	2	Y	
8	5325 98 107 7702	GROMMET, RUBBER, (CABLEFORM TO TERMINAL BOX)	1	Y	
9	5325 98 104 2429	GROMMET, RUBBER, 0.813 IN HOLE DIA, 1.313 IN GROOVE OD, 0.063 IN GROOVE W, SYN RUBBER, RD, SPLIT TYPE	1	Y	
10	5340 99 805 0923	CLAMP, LOOP, 0.375 IN ID, CABLE TO BODY	4	Y	
11	5305 99 946 2344	SCREW, MACHINE, HEX HD, STEEL, CAD PLTD, 0.190 IN UNF, 0.500 IN LG	4	Y	
12	5310 99 941 2419	NUT, PLAIN, HEX, UNF, ST, NO 10, ZN/PLD	4	Y	
13	5310 99 941 6653	WASHER, LOCK, SPLIT HELICAL RING, ST, 0.187 IN NOM BOLT SIZE, 0.330 ON OD, 0.064 IN THK	4	Y	
14	5305 99 941 8362	SCREW, TAPPING, THD FORMING, PAN HD, SLOT DRIVE, CAD PLD, NO 8 X 0.375 IN LG	2	Y	
15	5340 99 805 0919	CLAMP, LOOP, 0.500 IN GRIP, 0.321 IN SCREW HOLE	2	Y	
16	5340 98 856 3358	CLIP, CABLE TO LH SEATBOX	1	Y	
17	5325 99 828 1012	GROMMET, RUBBER	1	Y	
18	5340 98 856 3390	CLIP, CABLE TO VALANCE AND TDE BOX	2	Y	
19	2920 98 856 3672	DIODE, SPLIT CHARGE, (LUCAS TYPE ABD)	2	X	
20	5310 98 856 3705	WASHER, LOCK, SPLIT HELICAL RING, 6 MM NOM HOLE SIZE	4	X	
21	5310 99 122 5295	NUT, PLAIN, HEX, ST, ISO METRIC, 6 MM, 1 MM PITCH, GRADE 8, ZN/PLD	4	X	
22	5310 98 856 3572	WASHER, FLAT, RD, ST, 6 MM NOM BOLT SIZE, 19 MM OD, 0.800 MM THK	4	X	
23	5305 99 122 5359	SCREW, MACHINE, HEX HD, ST, ZN/PLD, ISO METRIC, 6 MM, 1 MM PITCH, 12 MM LG	4	X	

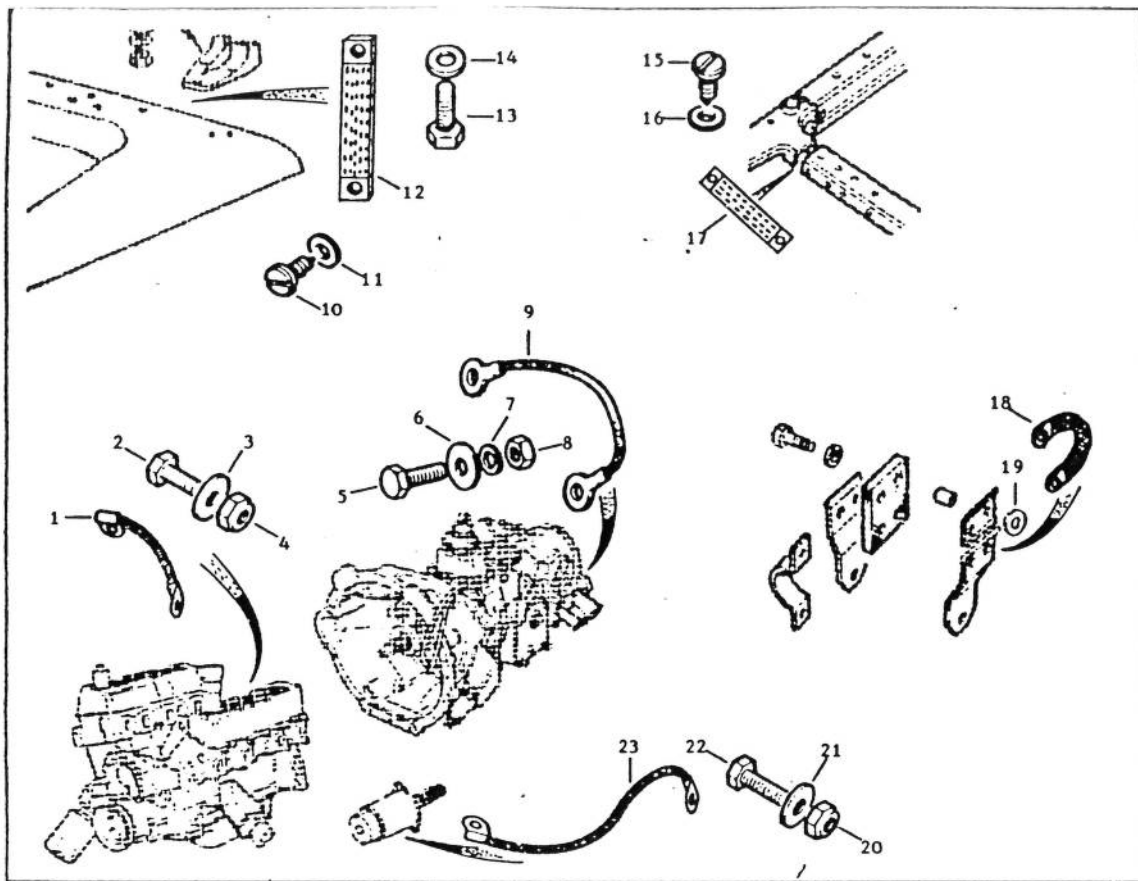
PRC 3294



From:
RNZEME Advisor,
1 Base Sup Bn,
TRENTHAM CAMP.

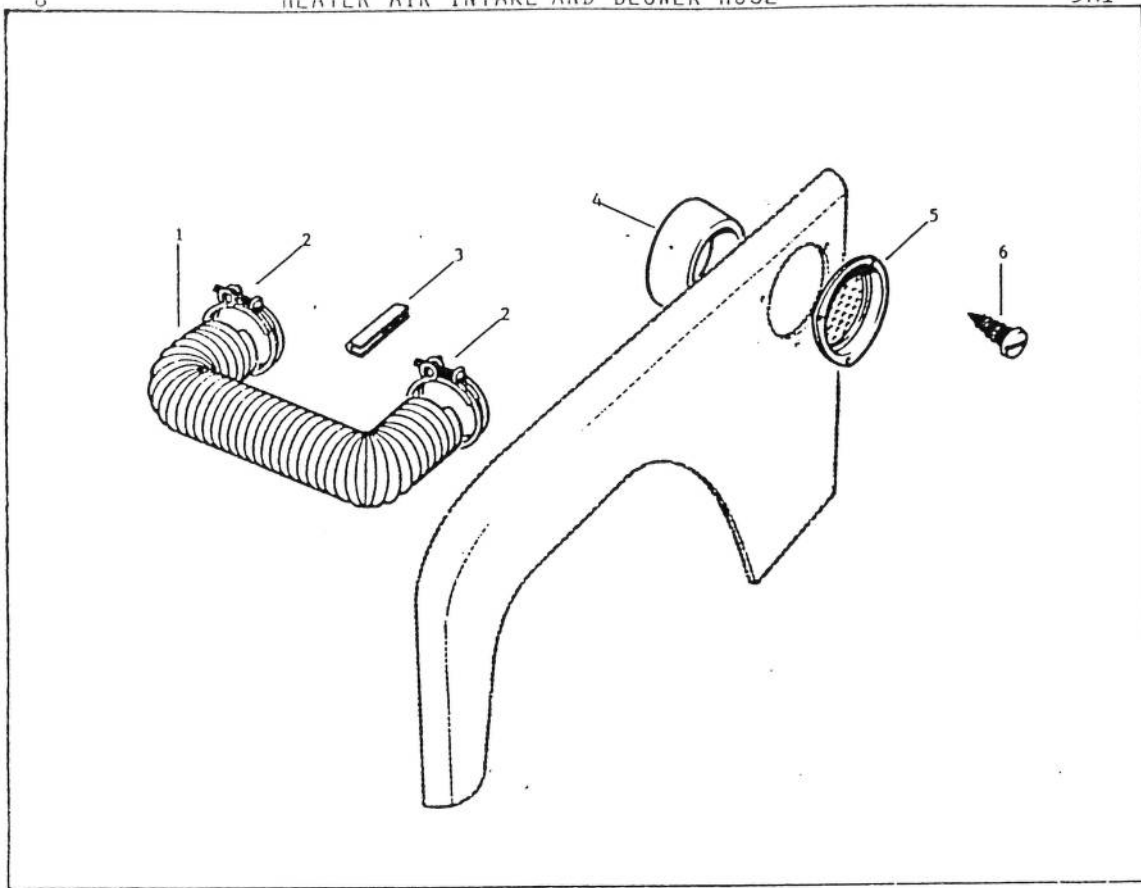
NOTE: ITEMS 1 - 5 NOT ILLUSTRATED.

ILL NO	NSN	DESCRIPTION	QTY	R/L	NZMC
1	LOCALSOURCE	BATTERY, VEHICLE, 12 V	2	X	
2	2920 98 856 3679	LEAD, BATTERY, POSITIVE TO SOLENOID 99-796-7526-	1	X	PRC3664
3	2920 98 856 3680	LEAD, BATTERY, NEGATIVE TO EARTH 99-796-7527-	1	X	PRC3665
4	6140 99 820 8148	LEAD, SECONDARY, BATTERY, 2 BATTERY LINK	1	X	
5	5945 99 881 2486	RELAY, SOLENOID	1	X	
6	2920 98 856 3673	CABLE ASSY, MAIN HARNESS	1	X	
7	2920 98 856 3674	CABLE ASSY, ENGINE	1	Y	PRC3626
8	2920 98 856 3675	CABLE ASSY, ALTERNATOR	1	Y	PRC3627
9	2920 98 856 3677	CABLE ASSY, AMMETER	1	Y	PRC3628
10	2920 98 856 3668	LEAD ASSY, FUEL SURGE TO TOE BOX	1	Y	PRC3631
11	2920 98 856 3670	LEAD ASSY, FUEL TANK CHANGEDOVER SWITCH TO TOE BOX	1	Y	PRC1673
12	2920 98 856 3669	CABLE ASSY, FUEL CHANGEDOVER SWITCH	1	Y	PRC1864
13	5310 99 804 7941	NUT, PLAIN, HEX, STEEL, 0.250 IN 24 UNF	1	Y	PRC1675
14	5310 99 941 6654	WASHER, LOCK, SPLIT HELICAL RING, STEEL, 0.250 IN BOLT SIZE, 0.425 IN OD, 0.072 IN THK	1	Y	
15	5305 99 941 0513	SCREW, MACHINE, HEX HD, STEEL, ZINC PLTD, 0.250 IN 24 UNF, 0.750 IN LG	1	Y	
16	5340 99 805 0915	CLAMP, LOOP, CABLE	1	Y	
17	5305 99 941 6190	SCREW, MACHINE, HEX HD, STEEL, ZINC PLTD, 0.190 IN 32 UNF, 0.5000 IN LG	3	Y	
18	5310 99 941 8569	WASHER, FLAT, RD, STEEL, ZINC PLTD, 0.190 IN NOM BOLT SIZE, 0.391 IN OD, 0.032 IN THK	3	Y	
19	5340 99 805 0918	CLAMP, LOOP, 0.281 IN ID	3	Y	
20	5310 99 941 6652	WASHER, LOCK, SPLIT HELICAL RING, STEEL, 0.190 IN NOM BOLT SIZE, 0.250 IN OD, 0.040 IN THK	3	Y	
21	5310 99 941 2419	NUT, HEX, STEEL, 0.190 IN 32 UNF	3	Y	



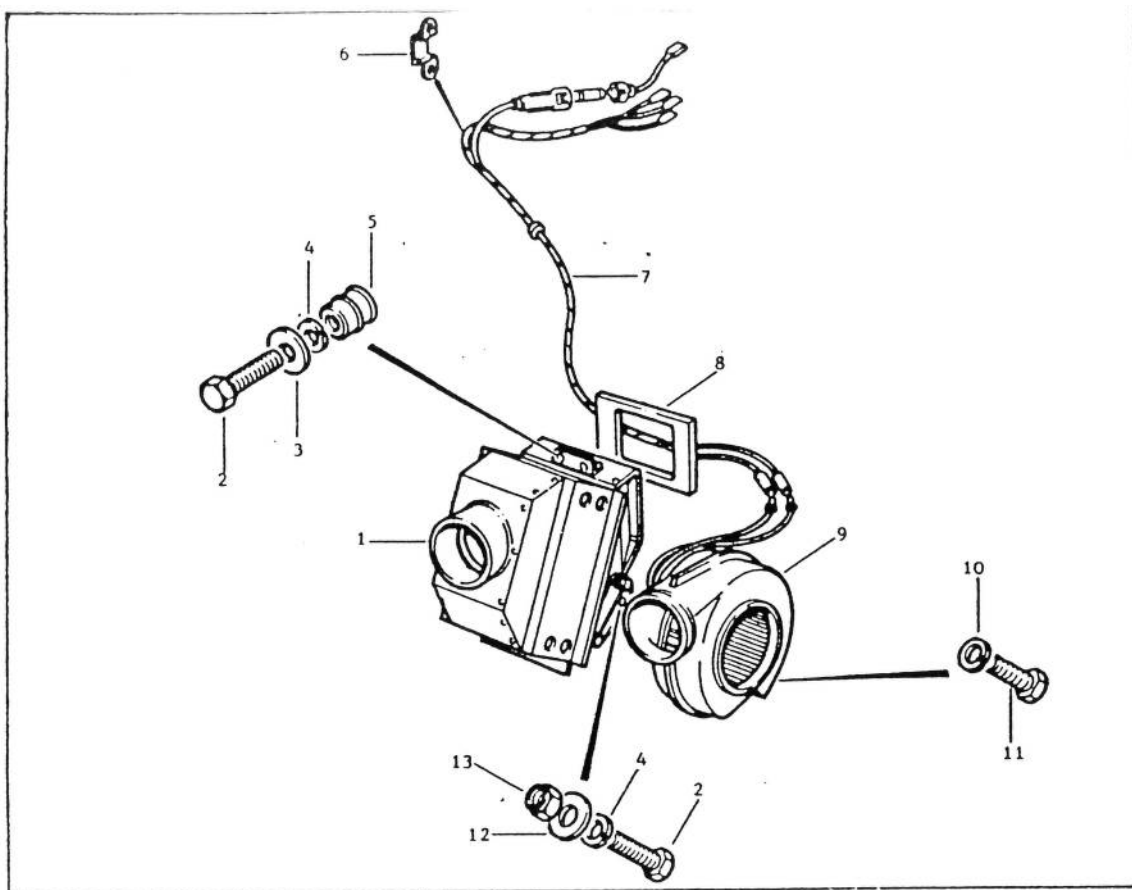
2E12

ILL NO	MSN	DESCRIPTION	QTY	R/L	NZMC
1	2920 98 856 3667	LEAD, ELECTRICAL, BONDING, (ENGINE TO EARTH)	1	X	PRC1608
2	5305 99 941 0525	SCREW, MACHINE, HEX HD, STEEL, ZINC PLTD, 0.312 IN 24 UNF, 0.750 IN LG	1	X	255245
3	5310 99 136 5497	WASHER, FLAT, RD, STEEL, ZINC PLTD, 0.312 IN NOM BOLT SIZE, 0.563 IN OD, 0.063 IN THK	1	X	4094
4	5310 99 941 3525	NUT, SELF LOCKING, HEX, STEEL, ZINC PLTD, 0.312 IN 24 UNF	1	X	NH606041
5	5305 99 941 0511	SCREW, MACHINE, HEX HD, S STEEL, ZINC PLTD, 0.250 IN 24 UNF, 0.500 IN LG	1	X	255204
6	5310 99 849 8006	WASHER, FLAT, RD, 0.250 IN ID, 0.750 IN OD, 0.062 IN THK	1	X	3900
7	5310 99 941 6654	WASHER, LOCK, SPLIT HELICAL RING, STEEL, 0.250 IN NOM BOLT SIZE, 0.425 IN OD, 0.072 IN THK	1	X	WM600041
8	5310 99 804 7941	NUT, PLAIN, HEX, STEEL, ZINC PLTD, 0.250 IN 24 UNF	1	X	NH604041
9	2590 99 805 2425	LEAD, ELECTRICAL, 0.375 IN TERMINAL HOLES, 10.750 IN LG (GEARBOX TO CHASSIS)	1	X	552628
10	5305 99 845 0236	SCREW, TAPPING, RD HD, SLOT DRIVE, STEEL, CAD PLTD, 0.250 IN, 0.375 IN LG	2	X	
11	5310 99 952 1024	WASHER, FLAT, RD, STEEL, CAD PLTD, 0.270 IN ID, 0.562 IN OD, 0.036 IN THK	2	X	
12	2540 99 825 5820	LEAD, ELECTRICAL, BONDING, (BONNET)	2	X	552632
13	5305 99 941 0513	SCREW, MACHINE, HEX HD, STEEL, ZINC PLTD, 0.250 IN 24 UNF, 0.750 IN LG	2	X	
14	5310 99 849 8006	WASHER, FLAT, RD, 0.250 IN ID, 0.750 IN OD, 0.062 IN THK	2	X	
15	5305 99 901 9736	SCREW, TAPPING, PAN HD, SLOT DRIVE, STEEL, CAD PLTD, NO 6, 0.375 IN LG	8	X	
16	5310 99 136 9513	WASHER, FLAT, RD, STEEL, ZINC PLTD, 2 BA NOM BOLT SIZE, 0.500 IN OD, 0.063 IN THK	8	X	
17	2590 99 820 7565	LEAD, ELECTRICAL, BONDING, (BODY CAPPING)	4	X	552633
18	2990 99 850 0922	LEAD, BONDING, (TAILPIPE)	1	X	531598
19	5310 99 849 8006	WASHER, FLAT, RD, 0.250 IN ID, 0.750 IN OD, 0.062 IN THK	2	X	
20	5310 99 941 3525	NUT, SELF LOCKING, HEX STEEL, ZINC PLTD, 0.312 IN 24 UNF	1	X	
21	5310 99 122 6475	WASHER, FLAT, RD, STEEL, ZINC PLTD, 8 MM NOM ID, 17 MM OD, 1.600 MM THK	1	X	
22	5305 99 941 0525	SCREW, MACHINE, HEX HD, S STEEL, ZINC PLTD, 0.312 IN 24 UNF, 0.750 IN LG	1	X	
23	2590 99 820 7563	LEAD, ELECTRICAL, (STARTER MOTOR EARTH TO LH TOEBOX)	1	X	90515185



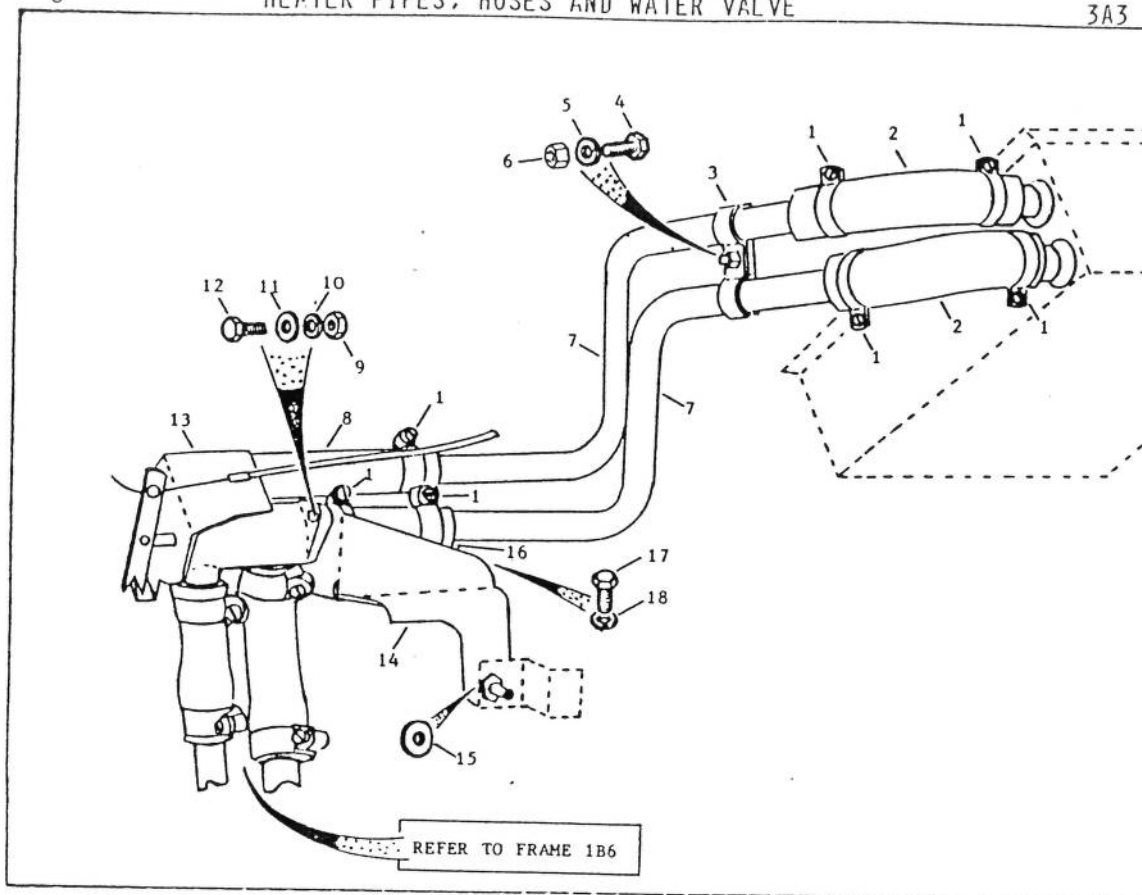
3A1

ILL NO	NSN	DESCRIPTION	QTY	R/L	NZMC
1	2540 99 825 3627	TUBE, CONNECTOR, PLASTIC	1	X	346999
2	4730 99 828 1019	CLAMP, HOSE, STEEL WIRE, FOR 3.500 IN OD HOSE	2	X	50348
3	2540 99 825 4009	SEAL, SWITCH PANEL, RUBBER	1	Y	347641
4	2540 99 824 8413	SEAL, HEATER INLET, NATURAL RUBBER	1	Y	347556
5	2540 99 825 3625	TRIM, INLET, HEATER	1	Y	346936
6	5305 99 829 4335	SCREW, TAPPING, THD FORMING	3	Y	GHFA23



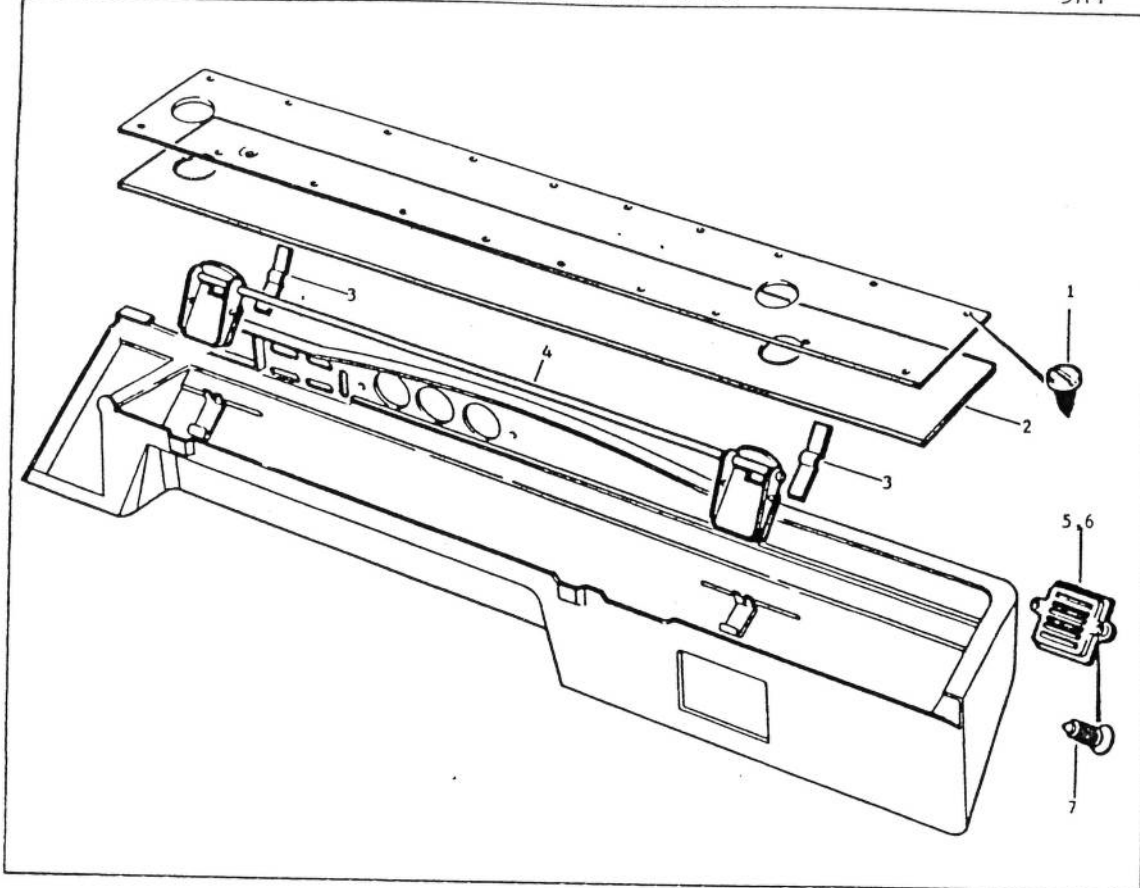
302

ILL NO	NSN	DESCRIPTION	QTY	R/L	NZMC
1	2590 99 833 6258	HEATER BOX ASSY	1	Y	MRC6256
2	5305 99 941 0524	SCREW, MACHINE, HEX HD, S STEEL, ZINC PLD, 0.312 IN 24 UNF, 0.625 IN LG	4	Y	255225
3	5310 99 134 2496	WASHER, FLAT, RD, STEEL, CAD PLD, 0.312 IN NOM BOLT SIZE, 0.750 IN OD, 0.072 IN THK	2	Y	3930
4	5310 99 941 6655	WASHER, LOCK, SPLIT HELICAL RING, STEEL, 0.312 IN BOLT SIZE, 0.500 IN OD, 0.078 IN THK	4	Y	6HF332
5	5310 99 136 3030	NUT, PLAIN, BLIND RIVET, STEEL, ZINC PLD	2	Y	79103
6	5340 99 881 9938	CLAMP, LOOP, CABLE	2	Y	219676
7	2590 99 824 3475	WIRING HARNESS, BRANCHED	1	Y	579457
8	2540 99 825 3624	SEAL, HEATER	2	Y	395616
9	2590 99 833 6259	BLOWER, HEATER ASSY	1	Y	MRC6243
10	5310 99 941 6653	WASHER, LOCK, SPLIT HELICAL RING, STEEL, 0.187 IN NOM BOLT SIZE, 0.330 IN OD, 0.064 IN THK	4	Y	NM702001
11	5305 99 136 3718	SCREW, MACHINE, HEX HD, STEEL, ZINC PLD, 0.190 IN 32 UNF, 0.750 IN LG	4	Y	257020
12	5310 99 122 6475	WASHER, FLAT, RD, STEEL, ZINC PLD, 8 MM NOM ID, 17 MM OD, 1.60 MM THK	4	Y	4047
13	5310 99 941 0925	NUT, PLAIN, HEX, STEEL, ZINC PLD, 0.312 IN 24 UNF	2	Y	6HF201



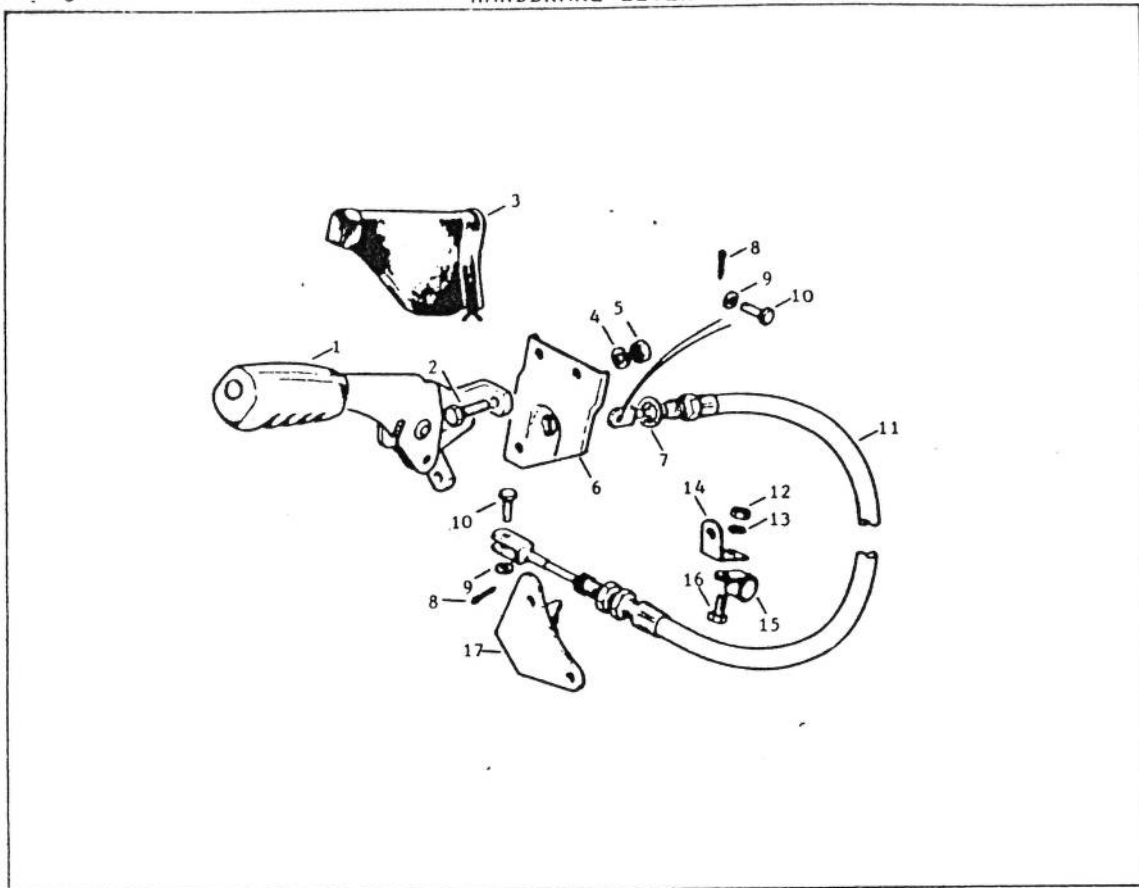
3A3

ILL NO	NSN	DESCRIPTION	QTY	R/L	NZMC
1	4730 99 420 3231	CLAMP, HOSE, 1.125 IN TO 1.625 IN ID	8	X	GHC709
2	4720 98 856 3613	HOSE	2	X	NRC3316
3	2540 99 825 4922	SADDLE CLIP	2	Y	594637
4	5305 99 122 5360	SCREW, MACHINE, HEX HD, STEEL, ZINC PLTD, ISO METRIC, 6 MM, 1 MM PITCH, 16 MM LG	1	X	SH106161
5	5310 99 137 9232	WASHER, LOCK, SPLIT HELICAL RING, STEEL, ZINC PLTD, 6 MM NOM HOLE SIZE, 9.600 MM OD, 1.500 MM THK	1	X	NL106001
6	5310 99 122 5295	NUT, PLAIN, HEX, STEEL, ZINC PLTD, ISO METRIC, 6 MM, 1 MM PITCH, GRADE 8	1	X	GHF212
7	4710 98 856 3608	PIPE, HEATER, FEED AND RETURN	2	Y	NRC2985
8	4720 98 856 3614	HOSE	1	X	NRC3317
9	5310 99 941 2419	NUT, PLAIN, HEX, STEEL, ZINC PLTD, 0.190 IN 32 UNF	2	Y	GHF201
10	5310 99 941 6653	WASHER, LOCK, SPLIT HELICAL RING, STEEL, 0.187 IN NOM BOLT SIZE, 0.330 IN OD, 0.064 IN THK	2	Y	GHF332
11	5310 99 122 3032	WASHER, FLAT, RD, STEEL, ZINC PLTD, 5 MM BOLT SIZE, 10 MM OD, 1 MM THK	2	Y	3830
12	5305 99 136 3718	SCREW, MACHINE, HEX HD, ST, ZN/PLD, 0.190 IN, 32 UNF	2	Y	SH605051
13	2930 98 856 3437	VALVE ASSY, HEATER	1	Y	ERC3564
14	2540 98 856 3429	BRACKET, HEATER VALVE 77-796-5432	1	Y	ERC3484
15	5310 99 137 1107	WASHER, FLAT, RD, STEEL, ZINC PLTD, 0.328 IN NOM BOLT SIZE, 1 IN OD, 0.125 IN THK	1	Y	4594
16	4720 98 856 3607	HOSE, PIPE TO DIVERTER VALVE	1	X	NRC2984
17	5305 99 941 0712	SCREW, MACHINE, HEX HD, S STEEL, ZINC PLTD, 0.375 IN 24 UNF, 0.875 IN LG	1	Y	SH506061
18	5310 99 941 6656	WASHER, LOCK, SPLIT HELICAL RING, 0.375 IN NOM BOLT SIZE, 0.590 IN OD, 0.092 IN THK	1	Y	GHF333



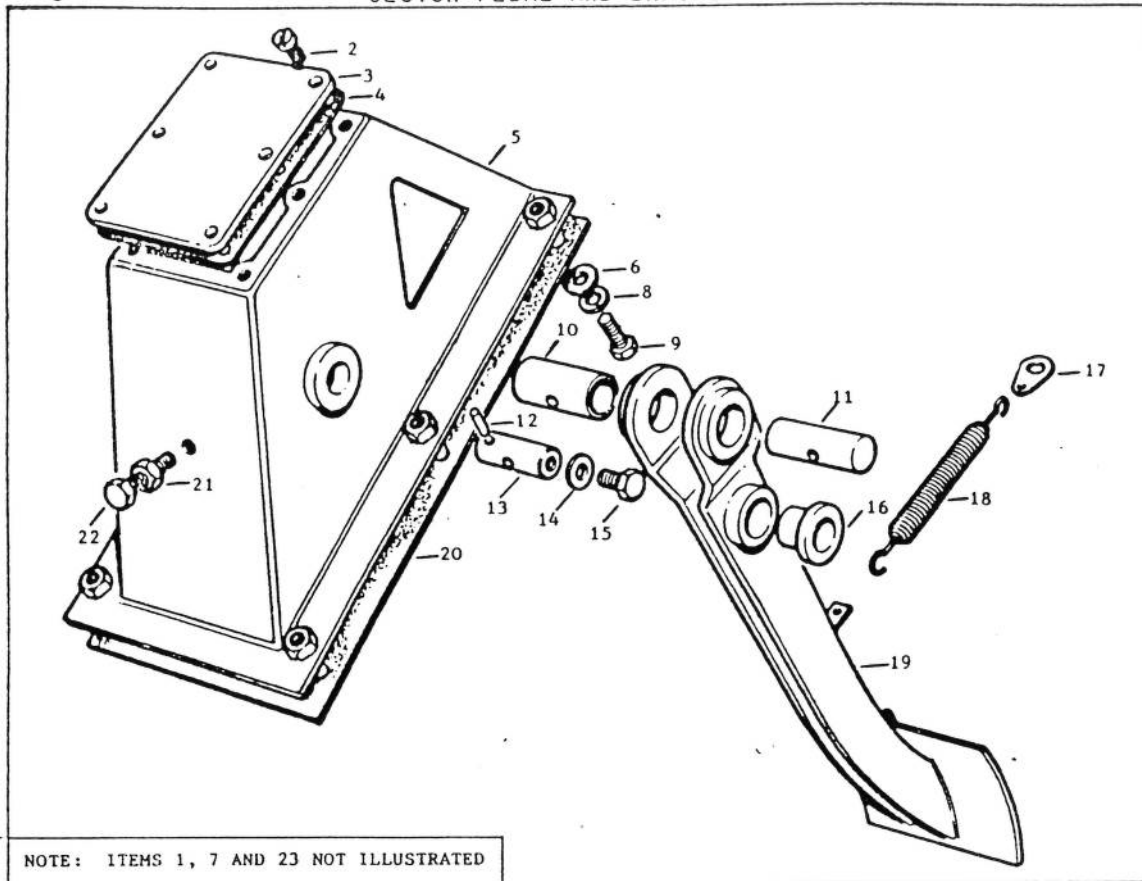
304

ILL NO	NSN	DESCRIPTION	QTY	R/L	NZMC
1	5305 99 914 5426	SCREW, TAPPING, THD FORMING, PAN HD, SLOT DRIVE, STEEL, CAD PLD, NO 6, 0.250 IN LG	20	Y	AB606021
2	2540 99 828 4751	PAD, INSULATION, HEATER	1	Y	347401
3	5360 99 824 3471	SPRING, FLAP, HEATER DUCT	2	Y	346976
4	2540 99 825 4082	FLAP, HEATER OUTLET	1	Y	346894
5	2540 99 825 4080	DUCT, HEATER, PLASTIC, RH	1	Y	395829
6	2540 99 825 4081	DUCT, HEATER, PLASTIC, LH	1	Y	395830
7	5305 99 137 9215	SCREW	4	Y	MRC1525



205

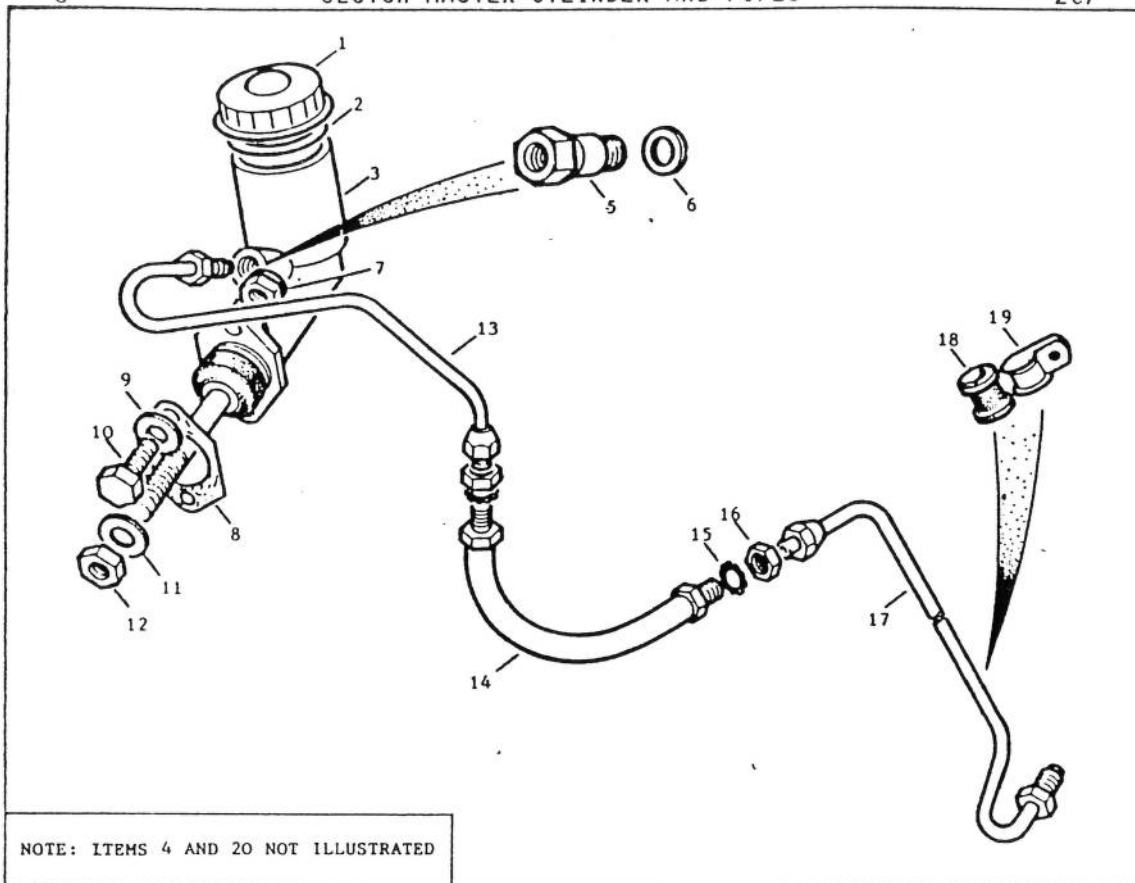
ILL NO	MSN	DESCRIPTION	QTY	R/L	NZMC
1	2530 98 856 0427	LEVER ASSY, HANDBRAKE	1	X	NRC4041
2	5306 98 856 3696	BOLT, MACHINE, HEX HD, STEEL, ZINC PLTD, ISO METRIC, 8 MM, 1.25 MM PITCH, 45 MM LG	3	X	SH106451
3	2530 98 856 0411	SEAL, BOOT, DUST AND MOISTURE	1	X	NRC5698
4	5310 99 138 9227	WASHER, LOCK, SPLIT HELICAL RING, STEEL, ZINC PLTD, 8 MM NOM BOLT SIZE, 12.75 MM OD, 2 MM THK	3	X	GHF382
5	5310 99 122 5296	NUT, PLAIN, HEX, ISO METRIC, 8 MM, 1.25 MM PITCH, GRADE 8	3	X	GHF213
6	NOTPROVIDED	PLATE, STIFFENER, HEELBOARD	1		NRC4326
7	5310 98 856 3707	WASHER, LOCK, FLAT, INTERNAL TEETH	1	X	WF116001
8	5315 98 856 3686	PIN, COTTER, SPLIT, STEEL, ZINC PLTD, 2 MM, 12 MM LG	2	X	PS104121
9	5310 99 122 6475	WASHER, FLAT, RD, STEEL, ZINC PLTD, 8 MM NOM ID, 17 MM OD, 1.60 MM THK	2	X	GHF301
10	5315 98 856 3665	PIN, HEADED, STEEL, ZINC PLTD, 8 MM DIA	2	X	PC108291
11	2530 98 856 0435	CABLE ASSY, HANDBRAKE	1	X	NRC4329
12	5310 99 122 5295	NUT, PLAIN, HEX, STEEL, ZINC PLTD, ISO METRIC, 6 MM, 1 MM PITCH, GRADE 8	1	X	GHF212
13	5310 99 137 9232	WASHER, LOCK, SPLIT HELICAL RING, STEEL, ZINC PLTD, 6 MM NOM HOLE SIZE, 9.60 MM OD, 1.50 MM THK	1	X	WL106001
14	NOTPROVIDED	BRACKET	1		NRC2959
15	5340 98 856 3390	CLAMP, LOOP	1	X	AEL11450
16	5305 99 122 5359	SCREW, MACHINE, HEX HD, STEEL, ZINC PLTD, ISO METRIC, 6 MM, 1 MM PITCH, 12 MM LG	1	X	SH106121
17	NOTPROVIDED	BRACKET	1		NRC4244



NOTE: ITEMS 1, 7 AND 23 NOT ILLUSTRATED

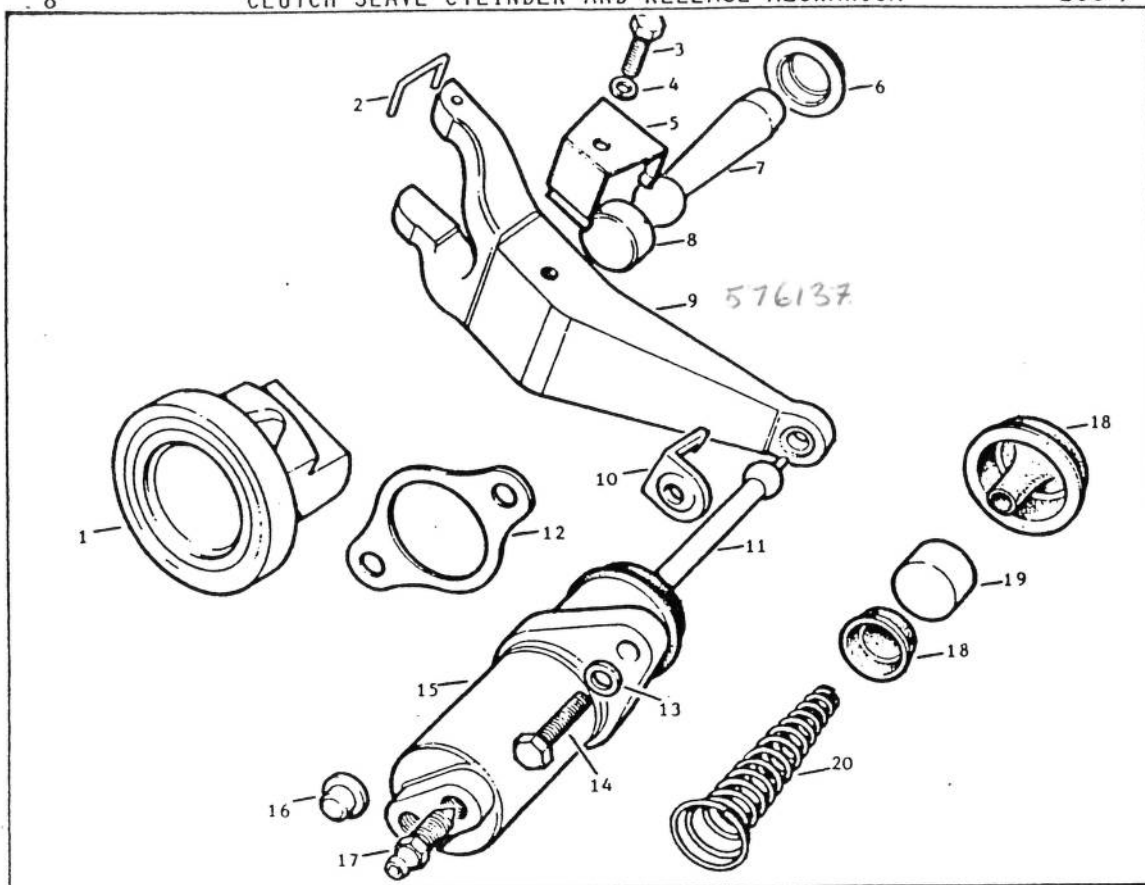
206

ILL NO	MSN	DESCRIPTION	QTY	R/L	NZMC
1	NOTPROVIDED	PEDAL-LEVER CONTROL, C/W BRACKET, CLUTCH	1		568893
2	5305 99 895 2067	SCREW, TAPPING, THREAD FORMING, STEEL, CAD PLTD, 0.190 IN, 0.500 IN LG	6	X	78227
3	NOTPROVIDED	COVER PLATE, ACCESS	1		272713
4	2510 99 849 9651	GASKET, PEDAL BRACKET TOP COVER	1	X	212819
5	NOTPROVIDED	BRACKET MTS, PENDANT, PEDAL CLUTCH	1		272632
6	5310 99 941 8623	WASHER, FLAT, RD, STEEL, CAD PLTD, 0.312 IN NOM BOLT SIZE, 0.625 IN OD, 0.072 IN THK	5	X	RTC610
7	5310 99 137 1107	WASHER, FLAT, RD, STEEL, ZINC PLTD, 0.328 IN NOM BOLT SIZE, 1 IN OD, 0.125 IN THK	1	X	4594
8	5310 99 941 6655	WASHER, LOCK, SPLIT HELICAL RING, STEEL, 0.312 IN BOLT SIZE, 0.500 IN OD, 0.078 IN THK	6	X	GHF332
9	5305 99 941 0526	SCREW, MACHINE, HEX HD, S STEEL, ZINC PLTD, 0.312 IN 24 UNF, 0.875 IN LF	6	X	255227
10	5340 99 849 9642	SPACER SLEEVE, TUNION	1	X	269783
11	5315 99 808 4986	PIN, STRAIGHT, HEADLESS, STEEL, 0.625 IN DIA, 1.500 IN LG	1	X	568883
12	5315 99 849 9637	PIN, GROOVED, HEADLESS, STEEL, 0.125 IN NOM DIA, 1 IN LG	1	X	50446
13	2530 99 849 9645	SHAFT, STRAIGHT, STEEL, 0.750 IN DIA, 2.937 IN LG	1	X	272712
14	5310 99 801 5567	WASHER, FLAT, RD, FIBRE, 0.234 IN ID, 0.515 IN OD, 0.062 IN THK	1	X	3052
15	5305 99 941 0510	SCREW, MACHINE, HEX HD, S STEEL, ZINC PLATED, 0.250 IN 28 UNF, 0.375 IN LG	1	X	255202
16	3120 99 849 9647	BEARING, SLEEVE, BRAKE AND CLUTCH PEDAL	2	X	272714
17	5340 99 895 1855	PLATE, ANCHOR	1	X	240708
18	5360 99 810 2137	SPRING, HELICAL, EXTENSION, 4 IN LG, HOOK ENDS	1	X	569701
19	2540 99 808 4988	PEDAL-LEVER, CONTROL	1	Y	568895
20	2530 99 809 1065	GASKET, RUBBER	1	X	562940
21	5310 99 804 7941	NUT, PLAIN, HEX, STEEL, ZINC PLTD, 0.250 IN 28 UNF	1	X	256810
22	5306 99 941 0936	BOLT, MACHINE, HEX HD, STEEL, CAD POLTD, 0.250 IN 28 UNF, 1 IN LG	1	X	255209
23	2540 99 816 3303	PAD, PEDAL, RUBBER, C/W INTEGRAL CLIPS	1	X	GLR302



2C7

ILL NO	NSN	DESCRIPTION	QTY	R/L	NZMC
1	2530 99 811 1090	CAP, OIL, TANK, HYDRAULIC SYSTEM	1	X	500201
2	2530 99 836 5178	WASHER, CAP, SUPPLY TANK	1	X	264767
3	2530 99 809 1064	CYLINDER ASSY, HYDRAULIC, CLUTCH MASTER	1	X	550732
4	2530 99 401 2080	PARTS KIT, HYDRAULIC, CLUTCH MASTER CYLINDER	1	X	601611
5	4730 99 836 5244	ADAPTOR, STRAIGHT, PIPE, STEEL, CAD PLTD, 0.437 IN 20 UNF INT THD, 0.375 IN 24 UNF EXT THD ENDS	1	X	139082
6	5310 99 881 2459	WASHER, FLAT COPPER, 0.375 IN ID, 0.593 IN OD, 0.048 IN THK	1	X	233220
7	5310 99 202 9996	NUT, SELF LOCKING, HEX, STEEL, PHOS TREATED, 0.312 IN 24 UNF	2	X	252211
8	5330 99 822 1909	GASKET, MASTER CYLINDER, CLUTCH	1	X	592358
9	5310 99 134 2496	WASHER, FLAT, RD, STEEL, CAD PLTD, 0.312 IN NOM BOLT SIZED HOLE, 0.750 IN OD, 0.072 IN THK	2	X	3950
10	5305 99 941 0528	SCREW, MACHINE, HEX HD, 6 STEEL, ZINC COATED, 0.312 IN 24 UNFM 1.125 IN LG	2	X	255029
11	5310 99 122 3034	WASHER, FLAT	2	X	RTC626
12	5310 99 941 0925	NUT, PLAIN, HEX, STEEL, ZINC PLTD, 0.312 IN 24 UNF	2	X	8HF201
13	4730 99 824 7716	PIPE, STEEL, 0.250 IN OD, 14.250 IN LG, C/W MUTS	1	X	577687
14	4720 99 829 4695	HOSE ASSY, RUBBER	1	X	NRC3947
15	5310 99 120 6046	WASHER, LOCK, FLAT, INT TEETH, STEEL, 0.437 IN NOM BOLT SIZE	2	X	90512651
16	5310 99 836 7707	NUT, PLAIN, HEX, CLUTCH HOSE	2	X	216912
17	4710 98 856 0425	PIPE, CLUTCH HOSE TO SLAVE CYLINDER	1	Y	NRC1655
18	5325 99 849 9408	GROMMET, RUBBER	1	Y	6860
19	5340 99 834 6874	CLIP, SPRING TENSION	1	Y	589806
20	NOTPROVIDED	BRACKET, CLUTCH JUMP HOSE	1		

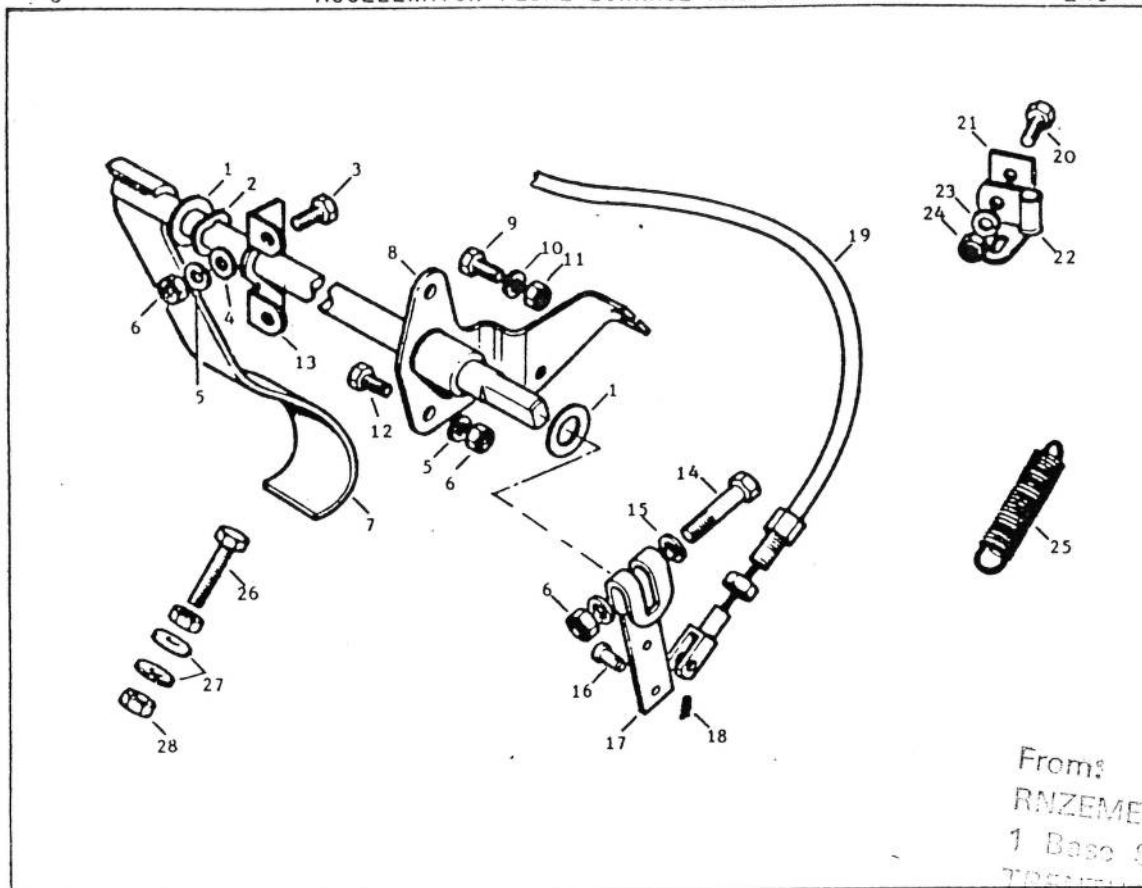


2C8

ILL NO	MSN	DESCRIPTION	QTY	R/L	NZMC
1	2520 99 839 3852	BEARING SLEEVE ASSY, CLUTCH RELEASE	1	Y	4RB236
2	2520 99 818 9098	STAPLE, CLUTCH FORK-SLEEVE, PLASTIC	1	Y	576203
3	5305 99 122 8665	SCREW, MACHINE, ISO METRIC, STEEL, HEX HD, ZINC PLTD, 6 MM X 1 MM PITCH, 10 MM LG	1	Y	5H106101
4	5310 99 137 9232	WASHER, LOCK, SPLIT HELICAL RING, STEEL, ZINC PLTD, 6 MM NOM HOLE SIZE, 9.60 MM ID, 1.50 MM THK	1	Y	WM106001
5	5340 99 818 9096	CLIP, SPRING TENSION	1	Y	571163
6	2520 99 818 9092	CAP RETAINING, CLUTCH LEVER	1	Y	571164
7	2520 99 823 8752	PIVOT, CLUTCH RELEASE LEVER	1	Z	594176
8	2520 99 818 9095	SEAT, BALL, SOCKET, NYLON	1	Y	571161
9	NOTPROVIDED	FORK, CLUTCH OPERATING	1		576137
10	5340 99 819 3922	CLIP, PUSH ROD TO LEVER, PLASTIC	1	Y	576723
11	NOTPROVIDED	PUSH ROD, HYDRAULIC CLUTCH SLAVE CYLINDER	1		571160
12	NOTPROVIDED	PLATE, SLAVE CYLINDER	1		FRC2402
13	5310 99 135 9302	WASHER, LOCK, SPLIT HELICAL RING, CAD PLTD, 8 MM BOLT SIZE, 12.75 MM OD, 2 MM THK	2	X	WM108001
14	5305 99 122 5367	SCREW, MACHINE, ISO METRIC, STEEL, HEX HD, ZINC PLTD, 8 MM X 1.250 MM PITCH, 25 MM LG	2	X	5H108251
15	2530 98 856 0452	CYLINDER ASSY, CLUTCH SLAVE	1	X	UKC8677
16	2530 99 802 3999	EXCLUDER, DUST, RUBBER	1	X	594091
17	2530 99 825 1756	BLEEDER VALVE, HYDRAULIC SYSTEM	1	X	606733
18	2530 98 856 3412	KIT, SEAL, SLAVE CYLINDER	1	X	8HM7063
19	NOTPROVIDED	PISTON, HYDRAULIC SLAVE CYLINDER	1		-
20	5360 98 856 3376	SPRING, SLAVE CYLINDER	1	X	606731

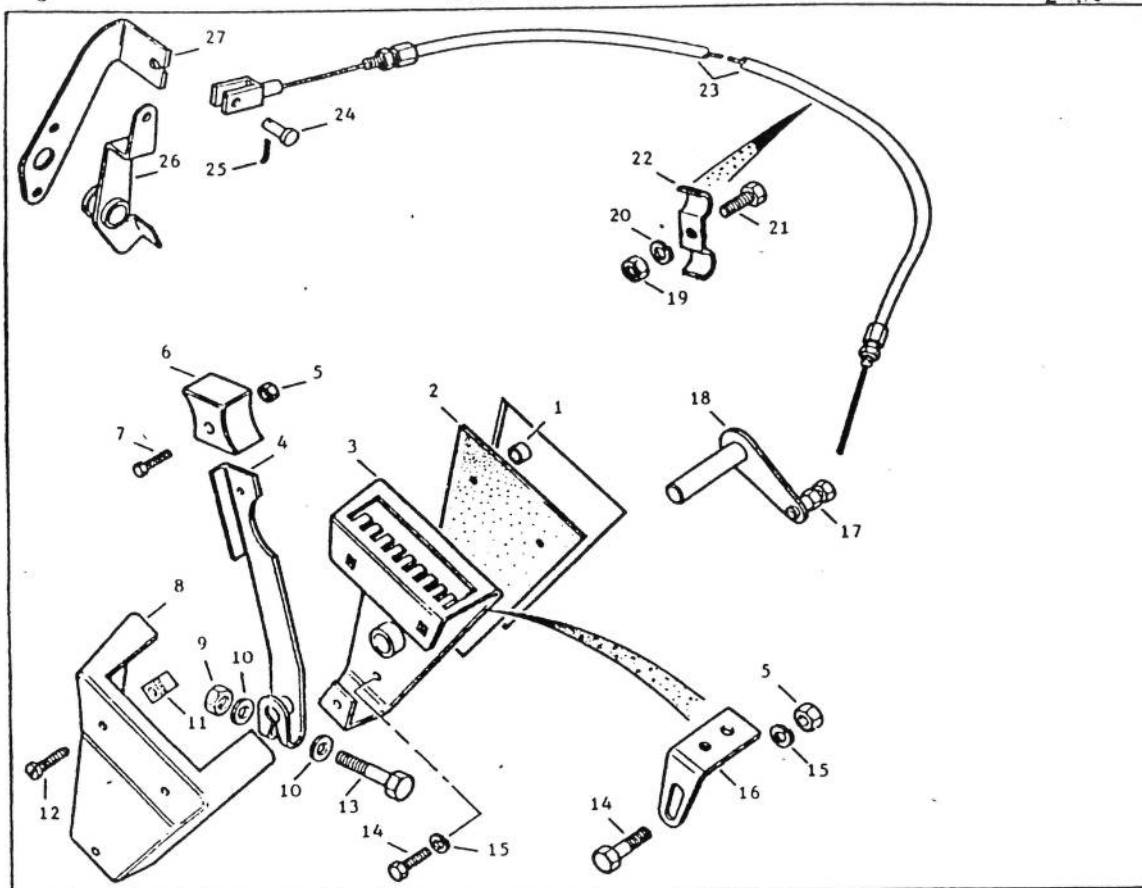
576137





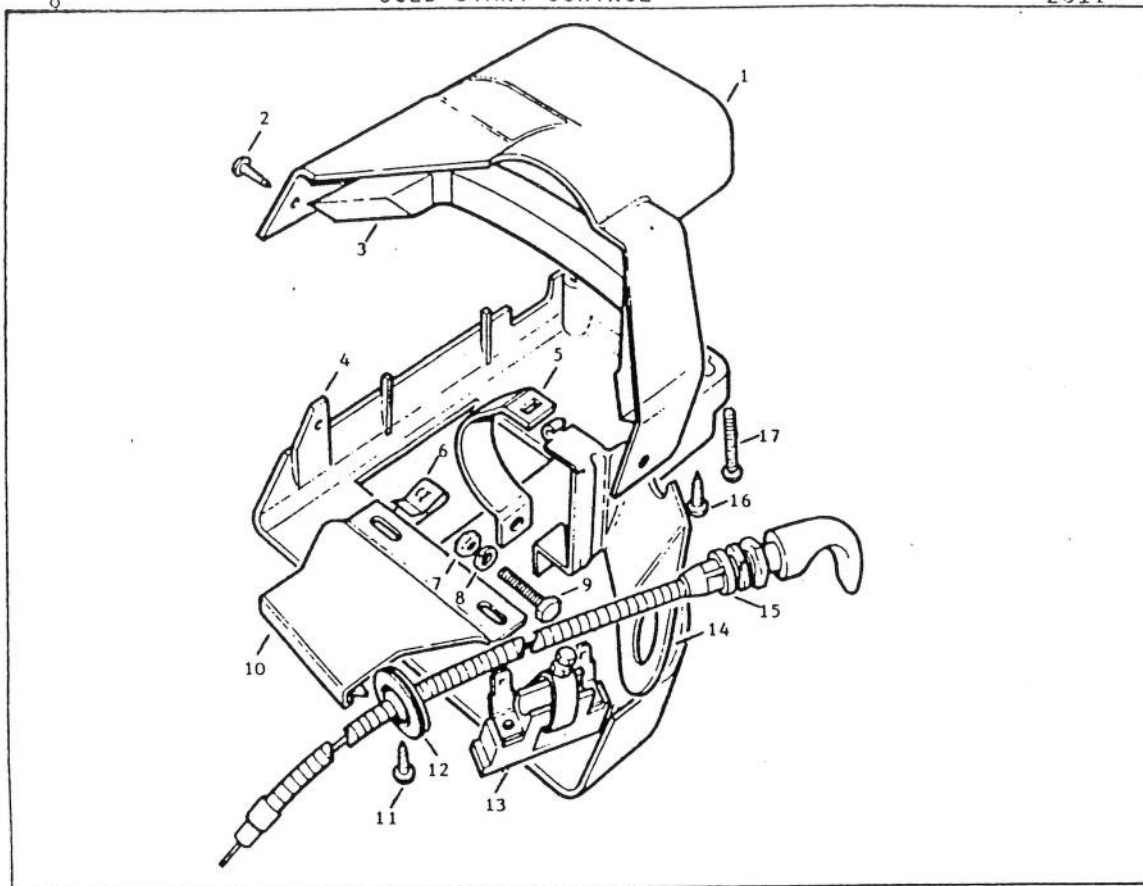
209

ILL NO	NSN	DESCRIPTION	QTY	R/L	NZMC
1	5310 99 941 8636	WASHER, FLAT, RD, STEEL, ZINC PLTD, 0.437 IN NOM BOLT SIZE, 0.875 IN OD, 0.092 IN THK	2	Y	NA600071
2	5310 99 970 9163	WASHER, SPRING TENSION, CRINKLE, BERYLLIUM COPPER, 0.536 IN ID, 0.955 IN OD, 0.022 IN THK	1	Y	509692
3	5305 99 941 0512	SCREW, MACHINE, HEX HD, S STEEL, ZINC PLTD, 0.250 IN 28 UNF, 0.625 IN LG	2	Y	GHF117
4	5310 99 829 2295	WASHER, FLAT, STEEL, 0.250 IN ID, 0.875 IN OD, 0.062 IN THK	2	Y	WP8019
5	5310 99 827 6441	WASHER, LOCK, STEEL, SPLIT HELICAL RING, 0.250 IN NOM BOLT SIZE	4	Y	GHF331
6	5310 99 804 7941	NUT, PLAIN, HEX, STEEL, ZINC PLTD, 0.250 IN 28 UNF	5	Y	GHF200
7	2540 98 056 0424	PEDAL, ACCELERATOR, C/W SHAFT	1	Y	NRC2614
8	2540 98 056 3620	BRACKET, ACCELERATOR	1	Y	NRC4066
9	5305 99 122 5360	SCREW, MACHINE, HEX HD, STEEL, ZINC PLTD, ISO METRIC, 6 MM, 1 MM PITCH, 16 MM LG	1	Y	SH106161
10	5310 99 137 9232	WASHER, LOCK, SPLIT HELICAL RING, STEEL, ZINC PLTD, 6 MM NOM HOLE SIZE, 9.60 MM OD, 1.50 MM THK	1	Y	NL106001
11	5310 99 122 5295	NUT, PLAIN, HEX, STEEL, ZINC PLTD, ISO METRIC, 6 MM X 1 MM PITCH, GRADE 8	1	Y	GHF212
12	5305 99 941 0513	SCREW, MACHINE, HEX HD, STEEL, ZINC PLTD, 0.250 IN 28 UNF, 0.750 IN LG	2	Y	GHF117
13	2540 99 849 9300	BRACKET, ANGLE, ACCELERATOR SHAFT MOUNTING	1	Y	272804
14	5305 99 941 0516	SCREW, MACHINE, HEX HD, S STEEL, ZINC PLTD, 0.250 IN 28 UNF, 1.250 IN LG	1	Y	SH604101
15	5310 99 172 6474	WASHER, FLAT, RD, STEEL, ZINC PLTD, 6 MM NOM BOLT SIZE, 12 MM OD, 1.60 MM THK	2	Y	GHF300
16	5315 99 824 6606	PIN, STRAIGHT, HEADED, STEEL, 0.186 IN DIA, 0.500 IN LG	2	X	562491
17	2520 99 823 9574	LEVER, REMOTE CONTROL	1	Y	NRC174
18	5315 99 138 2199	PIN, COTTER, SPLIT, STEEL, PHOS FIN, 1.20 MM DIA, 25 MM LG	2	X	3964
19	2590 99 825 6059	CABLE ASSY, ACCELERATOR CONTROL	1	X	566426
20	5305 99 122 8664	SCREW, MACHINE, HEX HD, STEEL, ZINC PLTD, ISO METRIC, 5 MM, 0.80 MM PITCH, 12 MM LG, GRADE DES 8.8	2	X	SH105121
21	NOTPROVIDED	BRACKET	1		NRC3968
22	5340 98 056 3708	CLIP	1	Y	CP105161
23	5310 99 977 1102	WASHER, LOCK, STEEL, ZINC PLTD, 5 MM BOLT SIZE, 9 MM OD, 1.20 MM THK	2	Y	NL105001
24	5310 99 122 5294	NUT, PLAIN, HEX, STEEL, ZINC PLTD, ISO METRIC, 5 MM, 0.80 MM PITCH	2	Y	NH105041
25	2910 99 895 1931	SPRING, RETURN, ACCELERATOR	1	X	277502
26	5305 99 941 0529	SCREW, MACHINE, HEX HD, S STEEL, ZINC PLTD, 0.312 IN 24 UNF, 1.250 IN LG	1	Y	SH605101
27	5310 99 122 6475	WASHER, FLAT, RD, STEEL, ZINC PLTD, 8 MM NOM ID, 17 MM OD, 1.60 MM THK	2	Y	GHF301
28	5310 99 941 0925	NUT, PLAIN, HEX, STEEL, ZINC PLTD, 0.312 IN 24 UNF	2	Y	GHF201



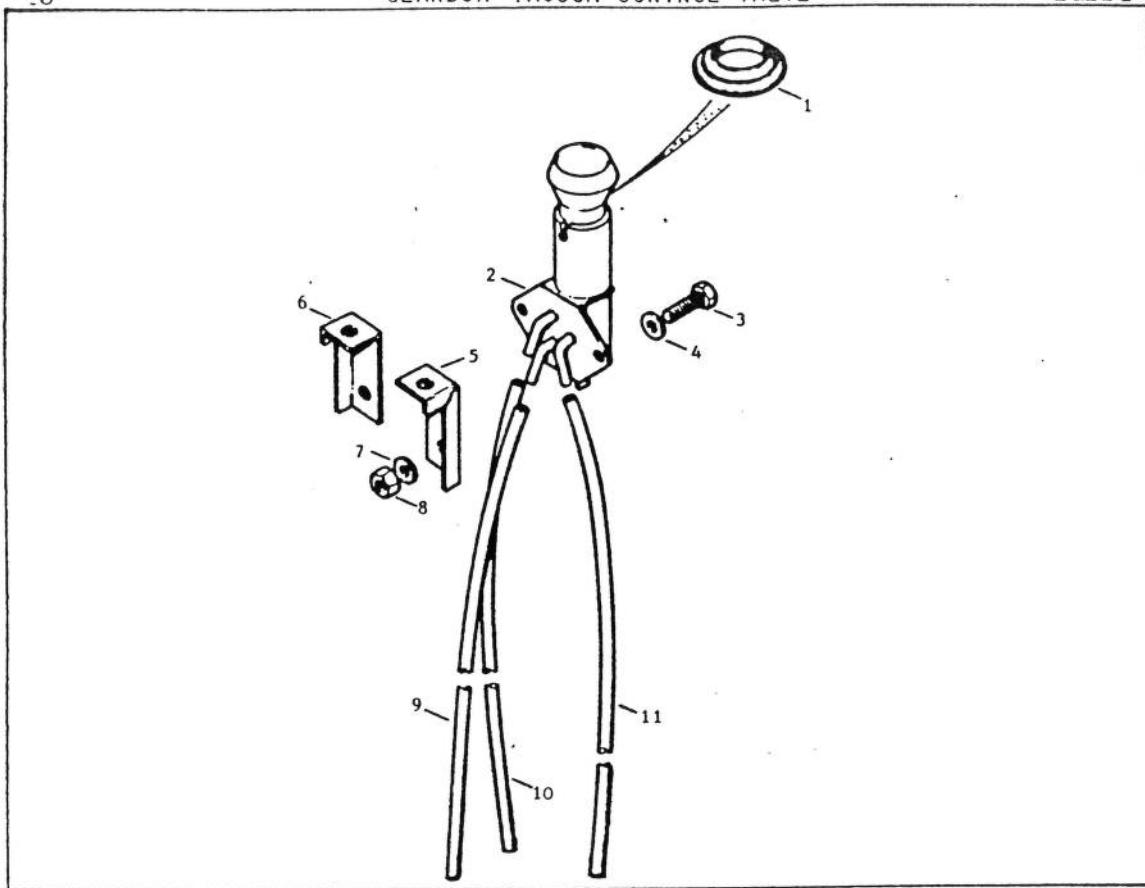
2C10

ILL NO	MSM	DESCRIPTION	QTY	R/L	NZMC
1	5310 99 137 6547	NUT, PLAIN, BLIND RIVET, 0.190 IN 32, UNF	2	Y	79239
2	2540 99 825 4479	PAD MTB, HAND THROTTLE, PLASTIC	1	Y	577338
3	2540 99 825 4478	PLATE, BASE, COMPLETE	1	Y	577098
4	2520 99 822 6067	LEVER, CONTROL, HAND THROTTLE	1	Y	577095
5	5310 99 845 0246	NUT, PLAIN, HEX, STEEL, ZINC PLTD, 0.190 IN 32 UNF	2	Y	HN2005
6	5335 99 822 6066	KNOB, THROTTLE CONTROL, PVC	1	Y	577111
7	5305 99 941 8357	SCREW, MACHINE, PAN HD, SLOT DRIVE, STEEL, CAD PLTD, 0.190 IN 32 UNF, 0.750 IN LG	1	Y	78384
8	2540 99 825 4477	COVER, HAND THROTTLE CONTROL	1	Y	346857
9	5310 99 804 7941	NUT, PLAIN, HEX, STEEL, ZINC PLTD, 0.250 IN 28 UNF	1	Y	GHF200
10	5310 99 837 2124	WASHER, FLAT	2	Y	3911
11	5310 99 137 6356	NUT, ANCHOR, NYLON, 0.375 IN W, 0.375 IN LG, 0.312 IN H	2	Y	GHF1021
12	5305 99 950 4416	SCREW, TAPPING, THD FORMING, STEEL, CAD PLTD, MD 10, 0.500 IN LG	3	Y	GHF421
13	5306 99 941 0282	BOLT, MACHINE, HEX HD, STEEL, ZINC PLTD, 0.250 IN 28 UNF	1	Y	256011
14	5305 99 137 9216	SCREW, MACHINE, HEX HD, STEEL, ZINC PLTD, 0.190 IN 32 UNF	3	Y	257019
15	5310 99 941 6653	WASHER, LOCK, SPLIT HELICAL RING, STEEL, 0.187 IN NOM BOLT SIZE, 0.330 IN OD, 0.064 IN THK	3	Y	WM702001
16	2540 98 856 3619	BRACKET, ANCHOR SUPPORT AT CENTRE PANEL	1	Y	NRC3968
17	2590 99 824 4948	CLAMP, SWIVEL	1	Y	90568526
18	2990 98 856 3365	SHAFT AND LEVER, HAND THROTTLE CONTROL	1	Y	577104
19	5310 99 122 5294	NUT, PLAIN, HEX, STEEL, ZINC PLTD, ISO METRIC, 5 MM, 0.800 MM PITCH	1	X	NH105041
20	5310 99 977 1102	WASHER, LOCK, STEEL, ZINC PLTD, 5 MM BOLT SIZE, 9 MM OD, 2 MM THK	1	X	WL105001
21	5305 99 122 8664	SCREW, MACHINE, HEX HD, STEEL, ZINC PLTD, ISO METRIC 5 MM, 0.800 PITCH, 12 MM LG	1	X	SH105121
22	5340 99 895 1865	STRAP, RETAINER	1	X	243395
23	2520 98 856 3605	CABLE ASSY, HAND THROTTLE CONTROL	1	Y	NRC2886
24	5315 99 824 6606	PIN, STRAIGHT, HEADED, STEEL, 0.186 IN DIA, 0.500 IN LG	1	X	562481
25	MSSP STOCK	PIN, SPLIT COTTER, 0.063 DIA, 0.375 LG	1	X	3964
26	2910 98 856 3651	LEVER ASSY, HAND THROTTLE TO CABLE	1	Y	NRC3184
27	2910 98 856 3650	BRACKET, HAND THROTTLE CABLE	1	Y	NRC3100



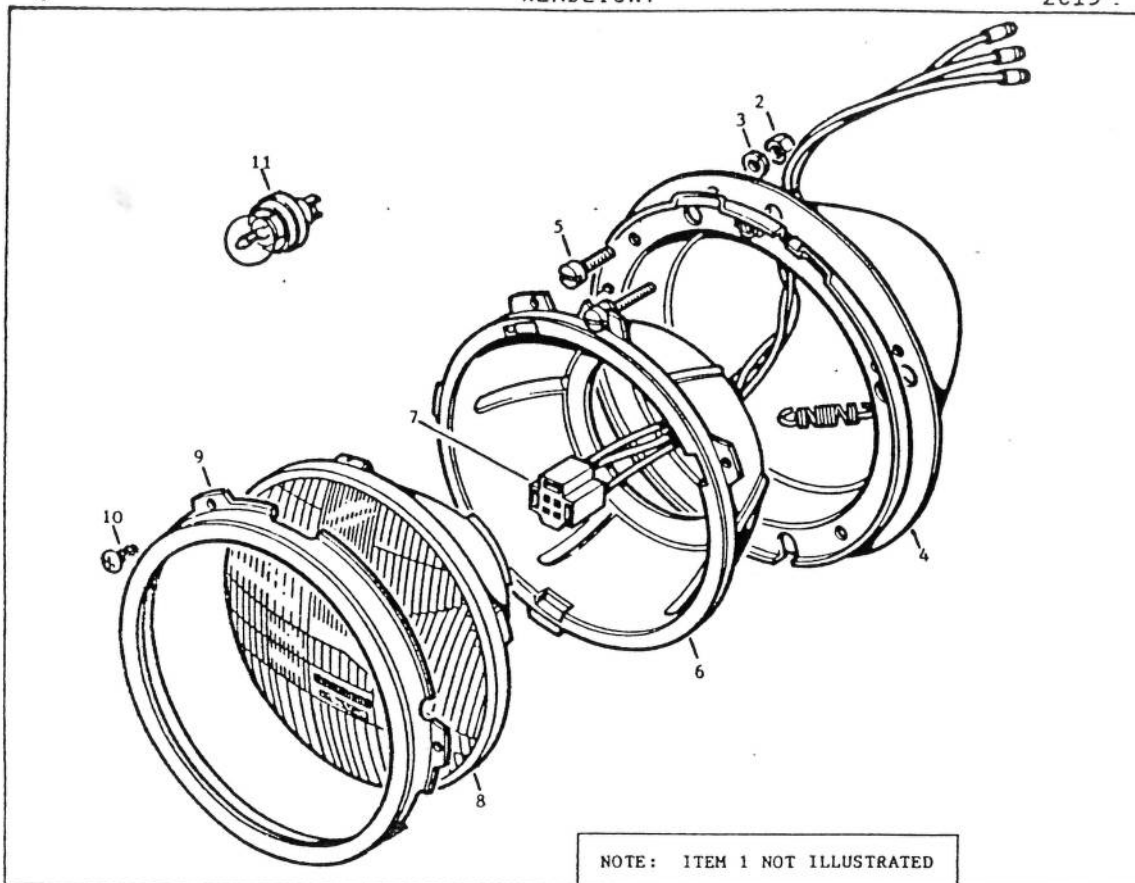
2C11

ILL NO	NSN	DESCRIPTION	QTY	R/L	NZMC
1	2540 99 824 7084	COVER, STEERING COLUMN UPPER	1	X	347557
2	5305 99 901 9736	SCREW, TAPPING, PAN HD, SLOT DRIVE, STEEL, CAD PLTD, NO 6, 0.375 IN LG	2	X	MRC3083
3	5330 99 829 7491	SEAL, STEERING COLUMN SHROUD	1	X	MRC2868
4	2540 99 824 7083	COVER, STEERING COLUMN, LOWER	1	X	347558
5	MOTPROVIDED	STRAP, STARTER SWITCH MOUNTING	1		589208
6	5310 99 139 3660	NUT, SHEET, SPRING, FORMING, NO 8, 1.093 IN LG, 0.343 IN W, 0.062 IN THK	2	X	AK608041
7	5310 99 941 2419	NUT, PLAIN, HEX, STEEL, ZINC PLTD, 0.190 IN 32 UNF	1	X	HN2005
8	5310 99 941 6633	WASHER, LOCK, SPLIT HELICAL RING, STEEL, 0.187 IN NOM BOLT SIZE, 0.330 IN OD, 0.064 IN THK	1	X	WM702001
9	5305 99 101 2952	SCREW, MACHINE, PAN HD, SLOT DRIVE, STEEL, CAD PLTD, 0.190 IN 32 UNF, 0.875 IN LG	1	X	78664
10	MOTPROVIDED	BRACKET, SHROUD SUPPORT	1		347646
11	5305 99 951 1478	SCREW, TAPPING, PAN HD, SLOT DRIVE, STEEL, CAD PLTD, NO 8, 0.500 IN LG	2	X	AR608041
12	5325 99 808 3203	GROMMET, SYN RUBBER, GROOVED	1	X	555711
13	5930 99 838 5609	SWITCH, CHOKE, SP, ST	1	X	FAM8881
14	MOTPROVIDED	BRACKET, CHOKE CONTROL	1		589115
15	2990 98 856 3635	CABLE ASSY, CHOKE CONTROL	1	X	NRC5069
16	5305 99 122 4165	SCREW, TAPPING, PAN HD, SLOT DRIVE, STEEL, ZINC CTD, NO 10, 0.500 IN LG	1	X	GHF425
17	5305 99 121 9735	SCREW, MACHINE, PAN HD, SLOT DRIVE, STEEL, CAD PLTD, 0.190 IN 32 UNF, 1.375 IN LG	2	X	MRC3048



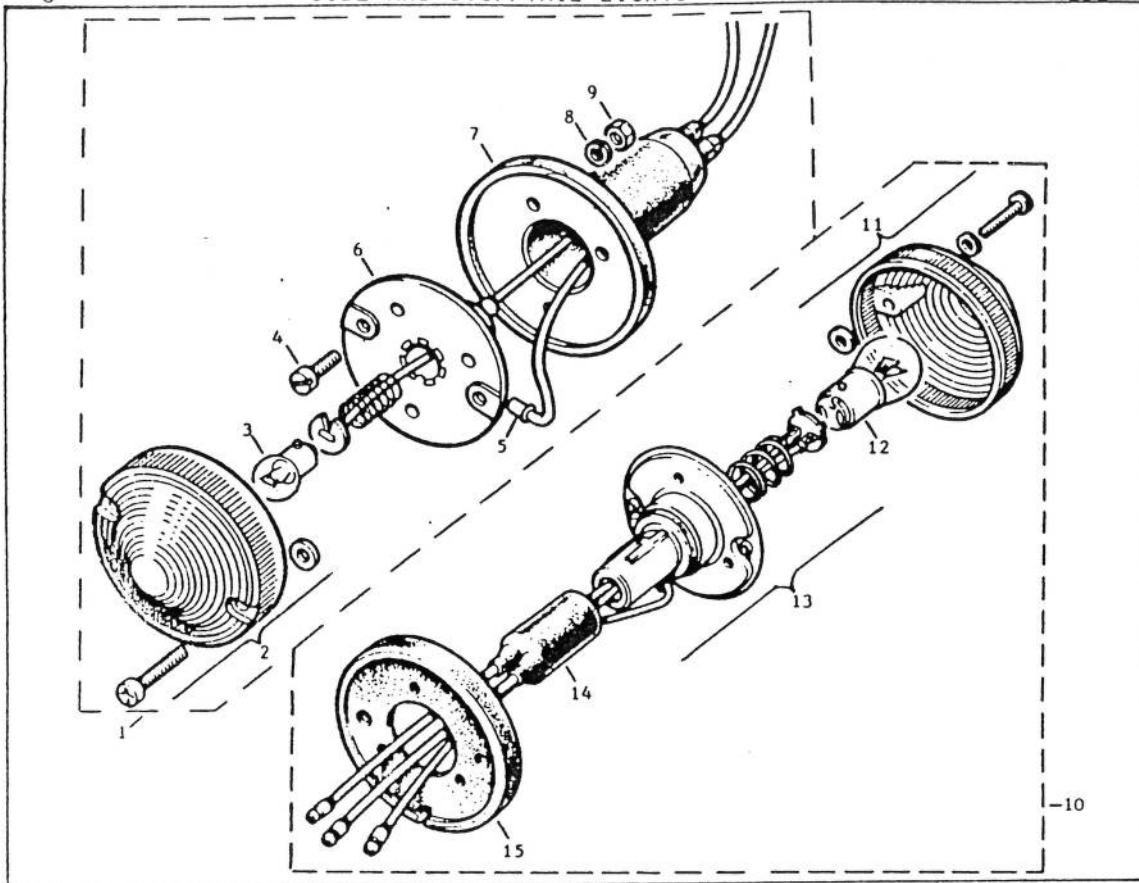
2C12

ILL NO	MSN	DESCRIPTION	QTY	A/L	NZMC
1	5325 99 804 8109	GROMMET, RUBBER	1	X	253426
2	2520 99 823 6025	VALVE, VACUUM CONTROL	1	X	622141
3	5305 99 122 5359	SCREW, MACHINE, HEX HD, STEEL, ZINC PLTD, ISO METRIC, 6 MM, 1 MM PITCH, 12 MM LG	4	X	SH106121
4	5310 99 122 3411	WASHER, FLAT, RD, STEEL, 6 MM BOLT SIZE, 12.50 MM OD, 1.60 MM THK	4	X	NC106041
5	NOTPROVIDED	BRACKET, VACUUM VALVE MTS	1		399041
6	NOTPROVIDED	BRACKET, VACUUM VALVE MTS	1		399042
7	5310 99 137 9232	WASHER, LOCK, SPLIT HELICAL RING, STEEL, ZINC PLTD, 6 MM NOM HOLE SIZE, 9.60 MM OD, 1.50 MM THK	4	X	NL106001
8	5310 99 122 5295	NUT, PLAIN, HEX, STEEL, ZINC PLTD, ISO METRIC, 6 MM, 1 MM PITCH, GRADE 8	4	X	GHF212
9	2805 98 856 0393	PIPE, PLASTICS, VACUUM VALVE TO ACTUATOR	1	X	FRC2275
10	2805 98 856 0391	PIPE, PLASTICS, ENGINE TO VACUUM VALVE	1	X	FRC2273
11	2805 98 856 0392	PIPE, PLASTICS, VACUUM VALVE TO ACTUATOR	1	X	FRC2274



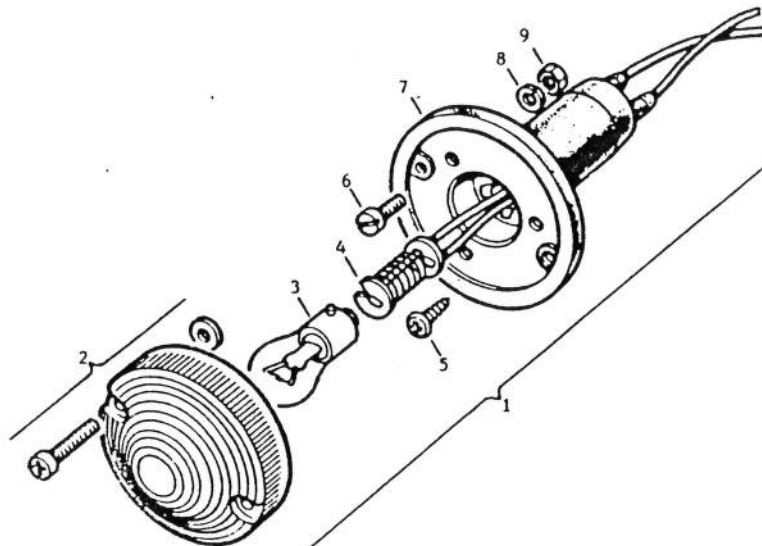
2C13

ILL NO	MSN	DESCRIPTION	QTY	R/L	NZMC
1	6220 98 856 3681	HEADLIGHT ASSY, 24V 99-796-7528.	2	Y	PRC2168
2	5310 99 941 2419	NUT	6	X	HN2005
3	5310 99 941 6653	WASHER, LOCK, SPLIT HELICAL RING, STEEL, 0.187 IN NOM BOLT SIZE, 0.330 IN OD, 0.064 IN THK	6	X	WM702001
4	6220 99 805 4311	GASKET, RUBBER, HEADLIGHT BODY	2	Y	531586
5	5305 99 941 8357	SCREW, MACHINE, PAN HD, SLOT DRIVE, STEEL, CAD PLTD, 0.190 IN 32 UNF, 0.750 IN LG	6	X	78348
6	NOTPROVIDED	RIM, LIGHT UNIT SEATING	2		27H6481
7	NOTPROVIDED	ADAPTOR, HEADLIGHT ASSY	2		600226
8	6220 98 856 3357	LENS, HEADLIGHT	2	X	644609
9	NOTPROVIDED	PLATE, RETAINING, LIGHT UNIT	2		515218
10	5305 99 139 6674	SCREW, PANEL FASTENER, PAN HD, STEEL, ZINC PLTD, NO 6-18 ACME, 0.250 IN LG	6	X	AB606021
11	6240 99 995 1343	LAMP, FILAMENT, 24V, 75/70W	2	X	514775



2D1

ILL NO	NSN	DESCRIPTION	QTY	R/L	NZMC
1	NOTPROVIDED	SIDELIGHT ASSEMBLY	2		589404-
2	6220 99 825 6124	LENS, SIDELIGHT	2	X	589284
3	6240 99 995 2253	LAMP, FILAMENT, 24V, 5W, SCC, CLEAR	2	X	418987
4	5305 99 999 5692	SCREW, MACHINE, FLAT FIL HD, SLOT DRIVE, STEEL, CAD PLTD, NO 4 BA, 0.500 IN LG	12	X	77899
5	5940 99 803 1956	FERRULE, ELECTRICAL CONDUCTOR, BRASS	4	X	555910
6	6220 99 803 3206	BULB HOLDER	2	X	553780
7	6220 99 206 2377	COVER, LIGHT	2	X	
8	5310 99 941 6652	WASHER, LOCK, STEEL, SPLIT HELICAL RING, NO 4 BA NOM BOLT SIZE, 0.250 IN OD, 0.040 IN THK	12	X	WM704001
9	5310 99 941 9961	NUT, PLAIN, HEX, STEEL, CAD PLTD, NO 4 BA	12	X	4023
10	NOTPROVIDED	STOP TAIL LIGHT ASSEMBLY <i>99-530-4740</i>	2		589419 s/s RTC 5523
11	6220 99 805 8831	LENS ASSY, STOP/TAIL LIGHT	2	X	589420
12	6240 99 995 3288	LAMP, FILAMENT, 24V, 6/24W, 6SC, INDEX, CLEAR	2	X	418149
13	6220 99 803 3421	CONTACT ASSY, DOUBLE	2	X	573828
14	6220 99 804 8448	BOOT, DUST AND MOISTURE SEAL	2	X	264782
15	6220 99 803 3957	BASE, RUBBER	2	X	576390

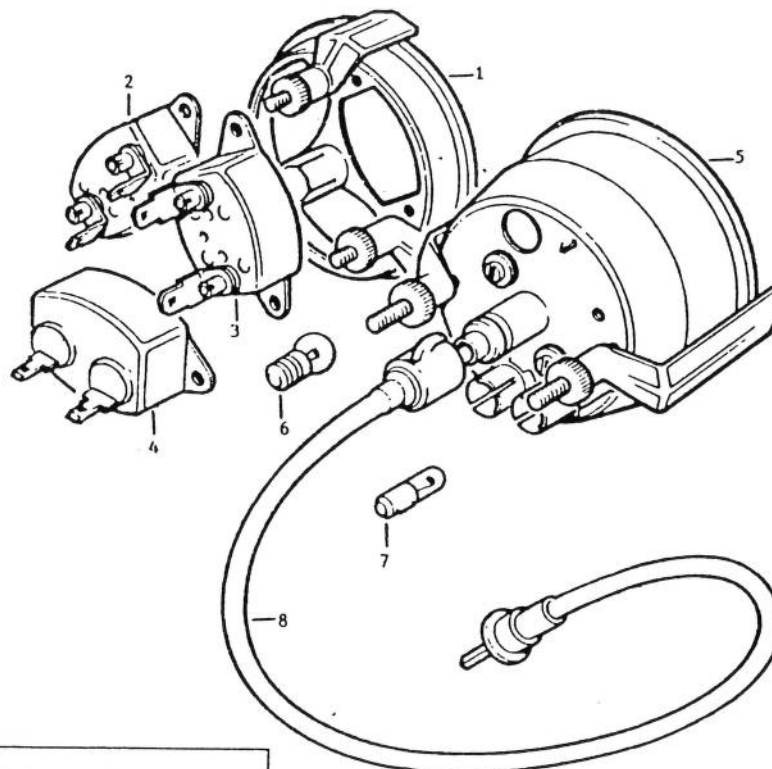


NOTES.

1. ITEM 10 NOT ILLUSTRATED.
2. ITEMS 6,8 AND 9 FITTED TO FRONT ONLY.
3. ITEM 5 FITTED TO REAR ONLY.

2D2

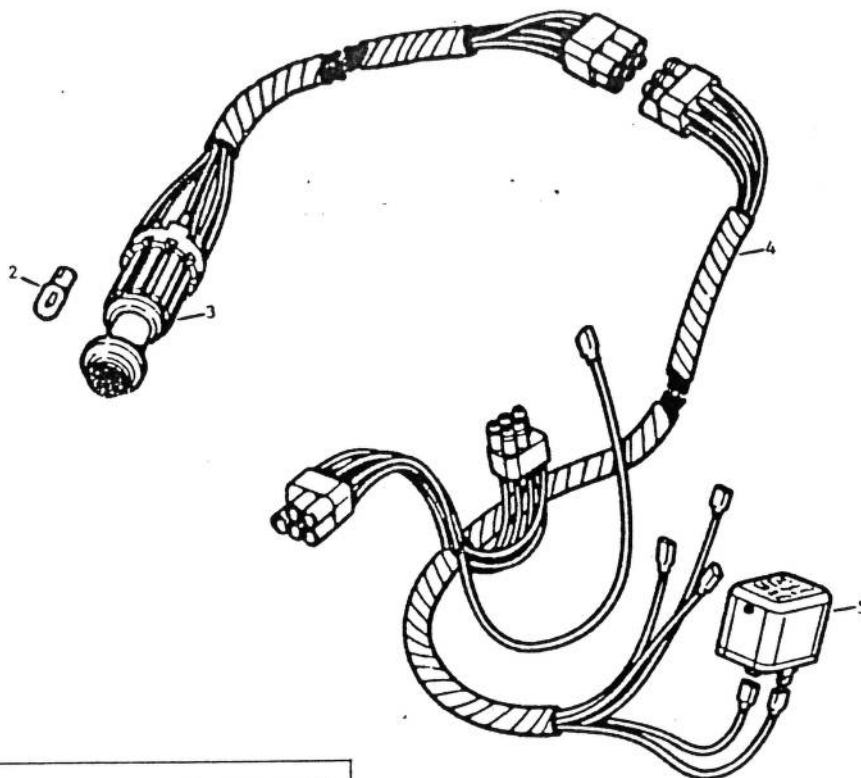
ILL NO	NSN	DESCRIPTION	QTY	R/L	NZMC
1	NOT PROVIDED	LIGHT, INDICATOR, FRONT AND REAR ASSEMBLY	4		589409 (589444)
2	6220 99 828 4788	LENS, TURNLIGHT, PLASTIC, AMBER	4	X	589202
3	6240 99 995 2902	LAMP, FILAMENT, 24V, 21W, SCC, CLEAR	4	X	13H608
4	6220 99 803 3422	CONTACT ASSY, SINGLE CONTACT LAMPHOLDER	4	X	573832
5	5305 99 134 6174	SCREW, TAPPING, THD FORMING, PAN HD, SLOT DRIVE, STEEL, CAD PLTD, NO 6, 0.500 IN LG	6	X	9HF421
6	5305 99 999 5692	SCREW, MACHINE, FLAT FIL HD, SLOT DRIVE, STEEL, CAD PLTD, NO 4 BA, 0.500 IN LG	6	X	77899
7	6220 99 206 2377	COVER, LIGHT	4	X	
8	5310 99 941 6652	WASHER, LOCK, SPLIT HELICAL RING, NO 4 BA NOM BOLT SIZE, 0.250 IN OD, 0.040 IN THK	6	X	WM704001
9	5310 99 941 9961	NUT, PLAIN, HEX, STEEL, CAD PLTD, NO 4 BA	6	X	4023
10	5940 99 803 1956	FERRULE, ELECTRICAL CONDUCTOR, BRASS	4	X	555910



NOTE: ITEMS 9 TO 22 NOT ILLUSTRATED

2D6

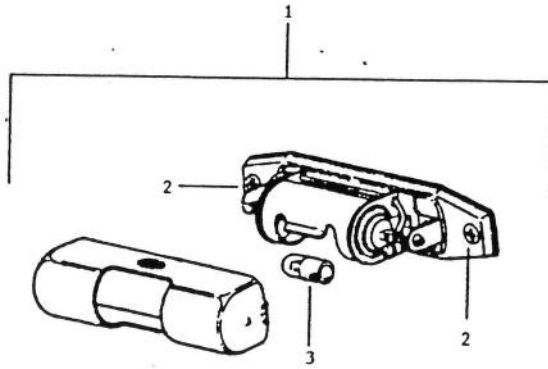
ILL NO	NSN	DESCRIPTION	QTY	R/L	NZMC
1	NOTPROVIDED	CLUSTER, INSTRUMENT, C/W ITEMS 2,3 AND 4 <i>99-838-6672</i>	1		PRC1777
2	6686 99 835 9067	INDICATOR, TEMPERATURE, ELECTRICAL, 24V, 53 TO 140 DEG C, OIL	1	X	PRC1793
3	6685 99 833 9065	INDICATOR, TEMPERATURE, ELECTRICAL, 24V, 30 TO 130 DEG C, WATER	1	X	PRC1791
4	6680 99 835 9066	INDICATOR, LIQUID QTY, 24V	1	X	PRC1789
5	6680 99 835 4235	SPEEDOMETER, 4.500 IN DIA, 20 KPH TO 140 KPH	1	X	PRC2769
6	6240 99 995 1230	LAMP, FILAMENT, 24V, 2.8A, MES, CLEAR	6	X	
7	6240 99 995 9145	LAMP, FILAMENT, 24V, 3A, CAP, BA75	3	X	GLB283
8	6680 98 856 0471	SHAFT ASSY, FLEXIBLE, SPEEDOMETER	1	X	Q5D395
9	6625 99 816 8510	AMMETER, 100-0-0100A	1	X	579306
10	2590 99 823 8353	BRACKET, ILLUMINATION HOLDER	1	X	575155
11	5905 98 856 3685	SHUNT BOX	1	X	PRC3632
12	5305 99 122 5361	SCREW, MACHINE, HEX HD, STEEL, ZINC PLTD, ISO METRIC, 6 MM, 1 MM PITCH, 20 MM LG	2	X	
13	5310 99 122 6474	WASHER, FLAT, RD, STEEL, ZINC PLTD, 6 MM NOM BOLT SIZE, 12.50 MM OD, 1.60 MM THK	2	X	
14	5310 99 137 9232	WASHER, LOCK, SPLIT HELICAL RING, STEEL, ZINC PLTD, 6 MM NOM HOLE SIZE, 9.60 MM OD, 1.50 MM THK	2	X	
15	5310 99 122 5295	NUT, PLAIN, HEX, ISO METRIC, 6 MM, 1 MM PITCH, GRADE 8	2	X	
16	6620 98 856 3684	HOUR METER <i>99-796-7538</i>	1	X	PRC3269
17	6350 98 107 7700	DISPLAY UNIT, MULTIALARM	1	X	-
18	6350 98 107 7672	BUZZER, MULTIALARM	1	X	-
19	6685 98 106 5988	TRANSMITTER, LIQUID QUANTITY, (LOW WATER SENSOR, MULTIALARM) <i>Diesel</i>	1	X	-
20	LOCALSOURCE	CONNECTOR, CABLE, (OIL SENSOR), MULTIALARM	1	X	-
21	6350 98 107 7673	WIRING LOOM, MULTIALARM	1	Y	-
22	2920 98 107 7670	WIRE SHEATHED, C/W TERMINALS, MULTIALARM	1	X	-



NOTE. ITEMS 1, 6-9 NOT ILLUSTRATED

2D3

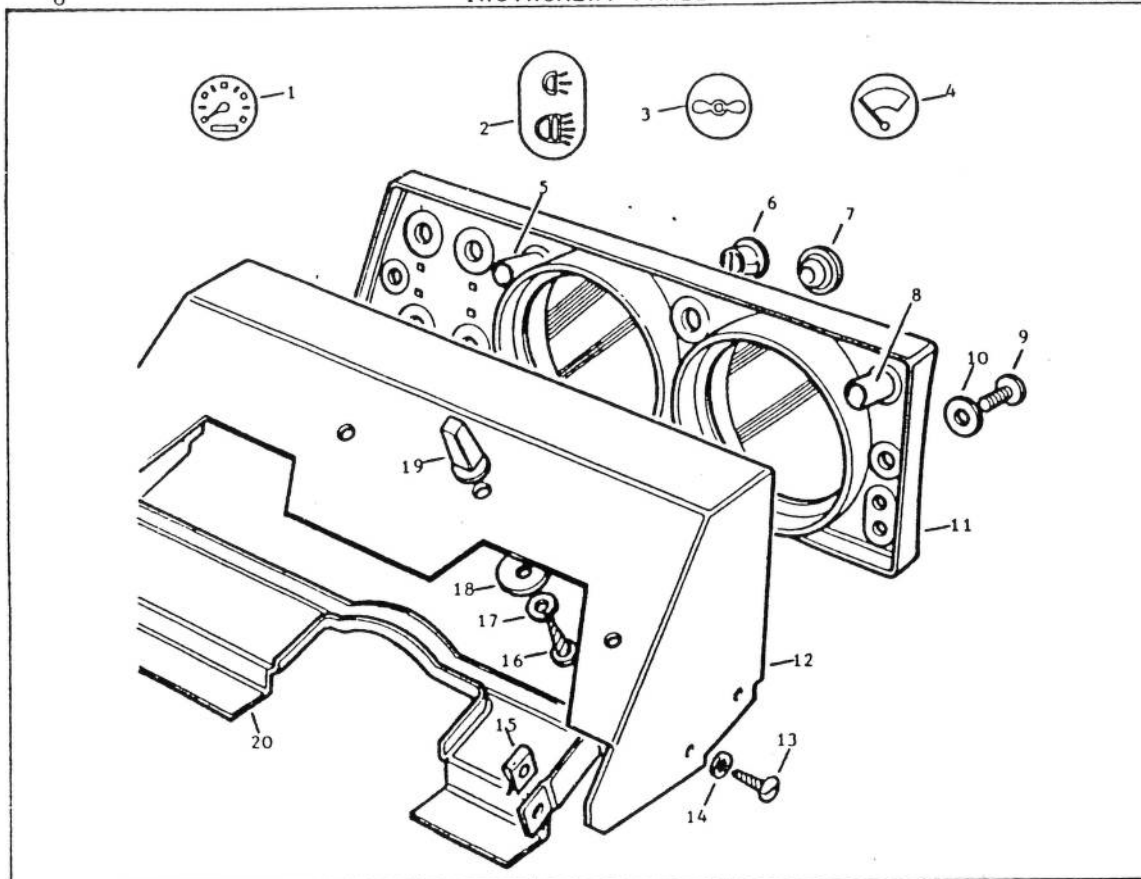
ILL NO	NSN	DESCRIPTION	QTY	R/L	NZMC
1	2590 99 836 1285	INSTALLATION KIT, HAZARD WARNING	1	X	GLR368
2	6240 99 995 9145	LAMP, FILAMENT, 24V, 3W, CAP, BA 75, MEC, CLEAR	1	X	GLB283
3	5999 99 813 5246	LIGHT SWITCH ASSY, HAZARD WARNING	1	X	579322
4	NOTPROVIDED	WIRING HARNESS, BRANCHED	1		
5	5945 99 815 9260	FLASHER, VEHICLE-TURNLIGHT, 24V, 21W, C/W MTS BRKT	1	X	579226
6	5305 99 456 6990	SCREW, MACHINE, STEEL, PAN HD, SLOT DRIVE, 0.190 IN 32 UNF, 0.500 IN LG	2	X	
7	5310 99 122 3032	WASHER, FLAT, RD, STEEL, ZINC PLTD, 5 MM BOLT SIZE, 10 MM OD, 1 MM THK	2	X	
8	5310 99 941 6653	WASHER, LOCK, SPLIT HELICAL RING, STEEL 0.187 IN NOM BOLT SIZE, 0.330 IN OD, 0.064 IN THK	2	X	
9	5310 99 137 6547	NUT, PLAIN, BLIND RIVET, STEEL, ZINC PLTD, 0.190 IN 32 UNF	2	Y	



NOTE: ITEMS 4-7 NOT ILLUSTRATED

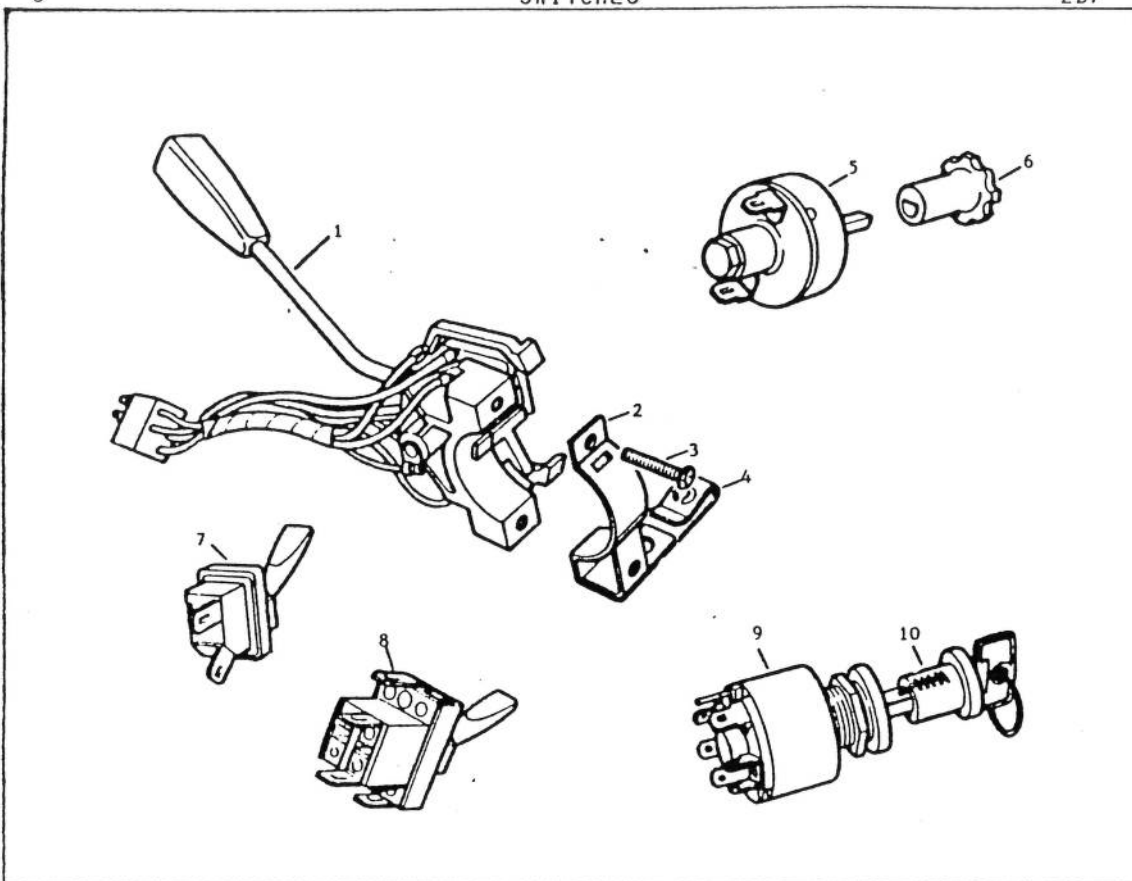
204

ILL NO	NSN	DESCRIPTION	QTY	R/L	NZMC
1	6220 98 856 3666	LAMP, MAP READING	1	Y	
2	5305 99 941 1971	SCREW, MACHINE, FLAT CSK HD, SLOT DRIVE, STEEL, CAD PLD, 0.190 IN UNF, 0.625 IN LG	2	Y	PRC1437
3	6240 98 107 3770	BULB, 24V, 3W	1	X	
4	2540 99 829 7525	BRACKET, MOUNTING, MAP READING LAMP	1	Y	MRC4029
5	5305 99 941 8362	SCREW, TAPPING, THREAD FORMING, PAN HD, CROSS RECESS DRIVE, 0.164 IN X 0.375 IN LG	2	Y	
6	5340 99 136 6972	SHIELD, EXPANSION, FOR MACHINE SCREW, SYN RUBBER	2	Y	
7	5340 99 805 0918	CLAMP, LOOP, 0.281 IN LOOP ID, 0.196 IN DIA MTB HOLE	2	Y	



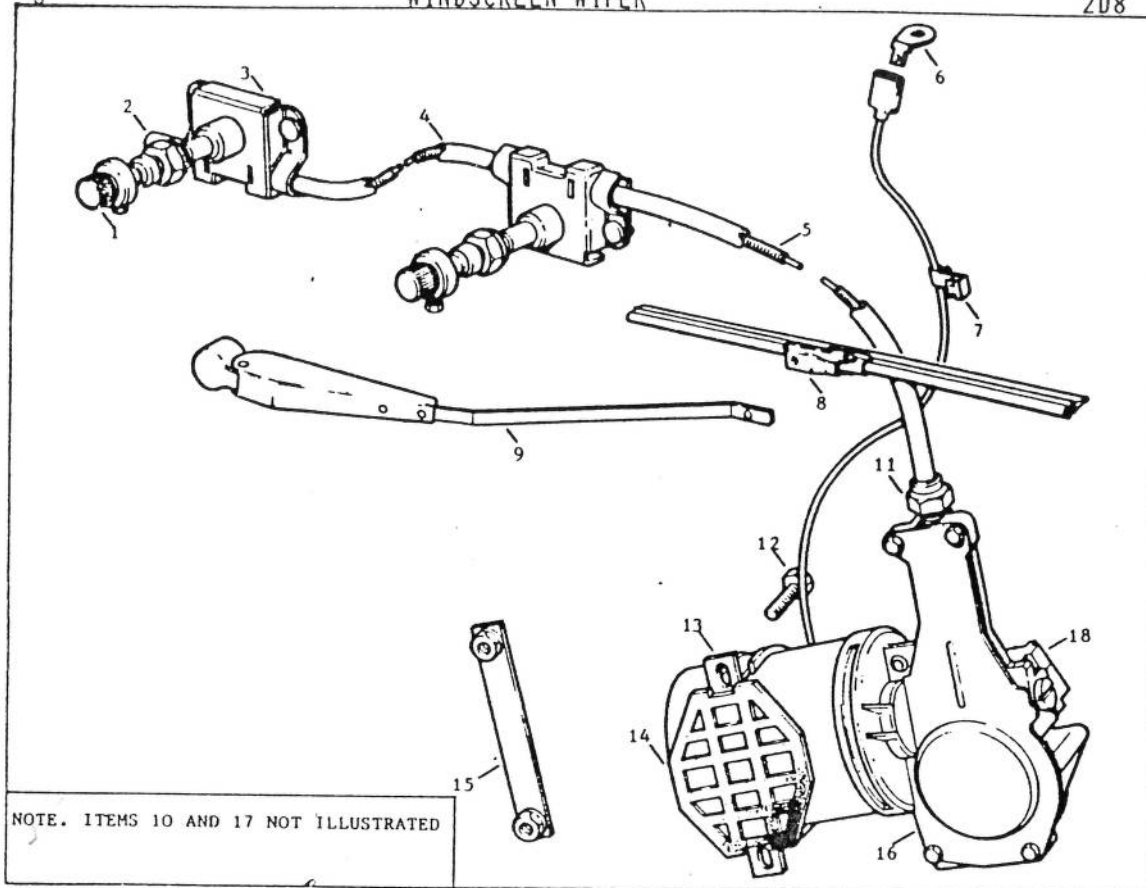
205

ILL NO	NSN	DESCRIPTION	QTY	R/L	NZMC
1	2540 99 829 0441	MOTIF, SWITCH IDENTITY, INSTRUMENT PANEL LIGHTS	1	Z	346765
2	2540 99 829 0442	MOTIF, SWITCH IDENTITY, SIDE, TAIL AND HEADLIGHT	1	Z	346762
3	2540 99 829 0443	MOTIF, SWITCH IDENTITY, HEATER	1	Z	346760
4	2540 99 824 8416	MOTIF SWITCH IDENTITY, WINDSCREEN WIPER/WASHER	1	Z	346766
5	6220 99 805 1995	LIGHT, INDICATOR, AMBER LENS	1	Z	559322
6	5325 99 828 1014	SEALING PLUS, INSTRUMENT PANEL	1	Z	346948
7	5340 99 824 4515	PLUG, SELF SEALING	1	Z	338014
8	6210 99 822 6552	LIGHT, INDICATOR, GREEN	1	Z	589027
9	5305 99 999 8891	SCREW, MACHINE, PAN HD, SLOT DRIVE, STEEL, CAD PLTD, 0.250 IN 24 UNF, 0.500 IN LG	2	X	MRC3045
10	5310 99 120 7136	WASHER, FLAT, RD, STEEL, CAD PLTD, 0.250 IN ID, 0.625 IN OD, 0.040 IN THK	2	X	MRC4858
11	2540 98 856 3348	PANEL, INSTRUMENT	1	Z	346945
12	2590 99 824 8237	COML, INSTRUMENT PANEL	1	Z	346944
13	5305 99 139 3462	SCREW, TAPPING, THREAD FORMING, PAN HD, CROSS RECESS DRIVE, STEEL, ZINC PLTD, 0	4	Z	AR608041
14	5310 99 100 6946	WASHER, LOCK, FLAT, INT TEETH, 2BA BOLT SIZE, 0.400 IN OD, 0.021 IN THK	4	Z	MRC3058
15	5310 99 137 6549	NUT, SHEET, SPRING STEEL	4	Z	79049
16	5305 99 137 6557	SCREW, TAPPING FORMING, HEX HD, STEEL, ZINC PLTD, 0.190 IN, 1 IN LG	4	Z	79078
17	5310 99 941 6653	WASHER, LOCK, SPLIT HELICAL RING, STEEL, 0.187 IN NOM BOLT SIZE, 0.330 IN OD, 0.064 IN THK	4	Z	NM702001
18	5310 99 844 9630	WASHER, PLAIN, SPECIAL	4	Z	3987
19	5310 99 137 6550	NUT, ANCHOR, SQUARE, NYLON	4	Z	GHF1002
20	NOTPROVIDED	STIFFENER BASE, PANEL COML	1	Z	347452



207

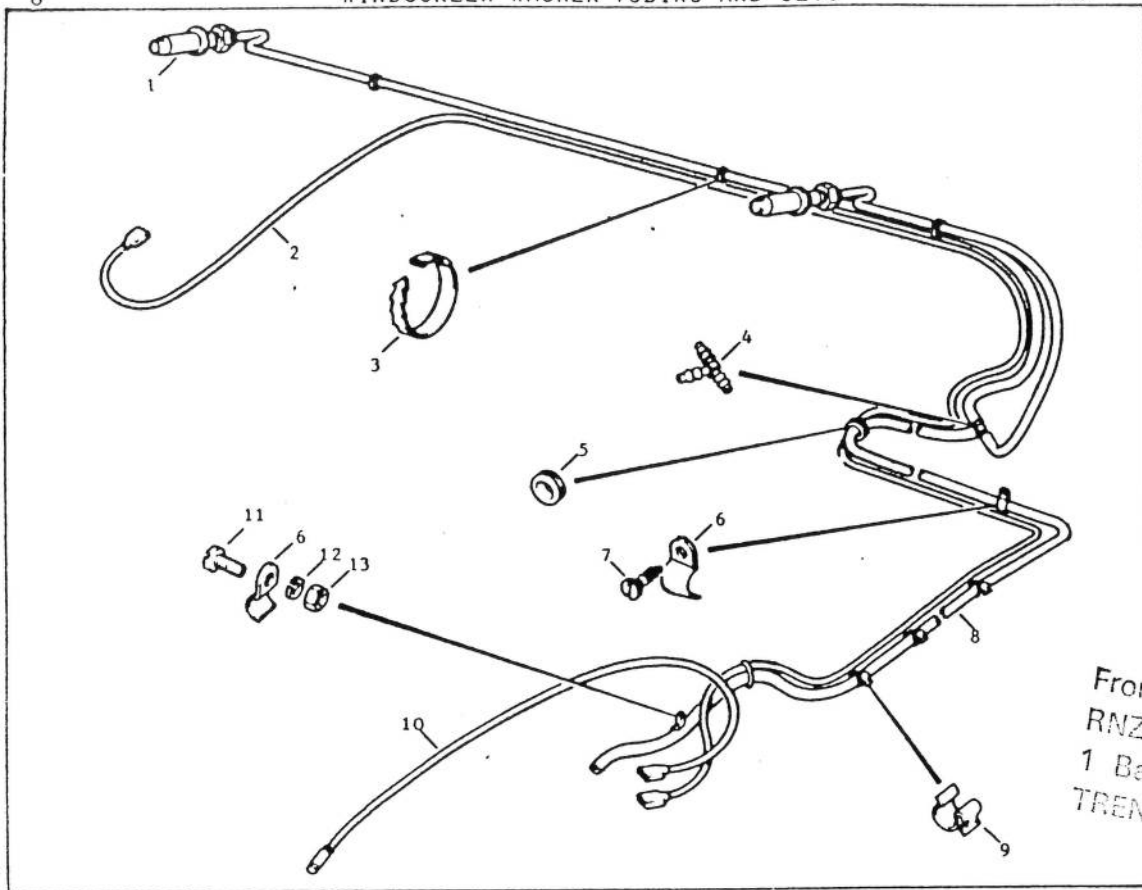
ILL NO	NSN	DESCRIPTION	QTY	R/L	NZMC
1	5930 99 835 4312	SWITCH ASSY, C/W LEADS AND 2 MULTI PIN PLUGS	1	X	PRC2397
2	NOT PROVIDED	BRACKET, SWITCH	1		575390
3	5305 99 820 0118	SCREW, MACHINE, PAN HD, CROSS RECESS DRIVE, UNC	2	X	79174
4	2510 99 849 8581	NUT, SPECIAL	1	X	6HF713
5	5930 99 822 2292	SWITCH ASSY, 2 POSITION, WINDSCREEN WIPER AND WASHER	1	X	579006 575146
6	5355 99 822 6039	KNOB, WIPER SWITCH	1	X	90575153
7	5930 99 804 9644	SWITCH, PANEL LIGHT	1	X	RTC430
8	5930 99 804 9643	SWITCH, TOGGLE ACTION, 3 POSITION, 1 OFF, 2 ON	2	X	1H9077
9	5930 99 809 3098	SWITCH ROTARY, 4 POSITION, IGNITION	1	X	551508
10	2920 99 804 8420	BARREL, LOCK, C/W KEYS	1	X	2441345



NOTE. ITEMS 10 AND 17 NOT ILLUSTRATED

2D8

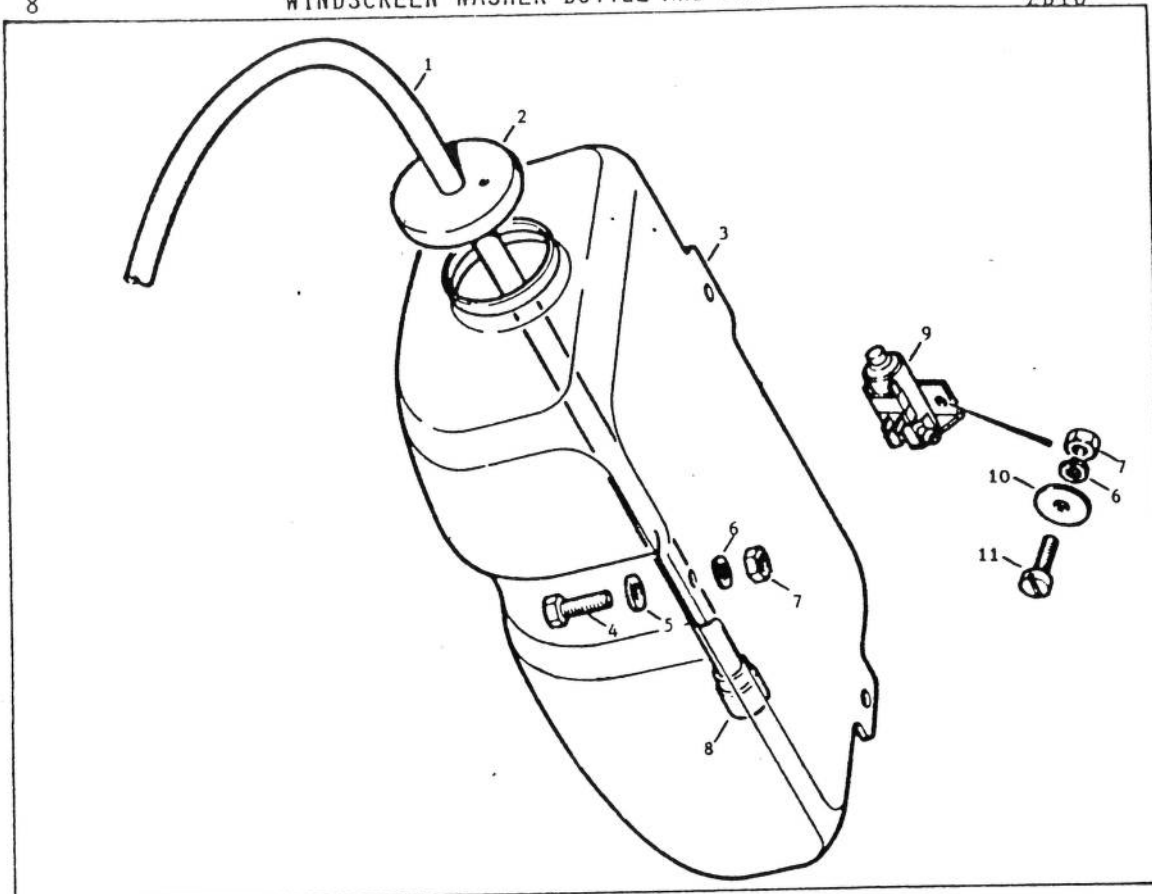
ILL NO	NSN	DESCRIPTION	QTY	R/L	NZMC
1	2540 99 810 9630	SPINDLE ASSY, WINDSCREEN WIPER	2	X	605904
2	NOTPROVIDED	CASING, OUTER, STEEL	1		575047
3	2540 99 808 4876	WHEELBOX, ASSY WINDSCREEN WIPER	2	Y	560887
4	NOTPROVIDED	CASING, FLEXIBLE SHAFT ASSY, C/W NUT	1		AAU1909
5	2530 99 811 3477	CORE, FLEXIBLE SHAFT ASSY, 58.406 IN LB	1	X	RTC202
6	5940 99 829 1052	TERMINAL, QUICK DISCONNECT	1	X	90555649
7	5340 99 825 6424	CLIP, SPRING TENSION	1	X	570351
8	2540 99 816 7466	BLADE, WINDSCREEN WIPER, 254 MM LB	2	X	6NJ8274
9	2540 99 811 8986	ARM, WINDSHIELD WIPER, LH	1	X	PRC2620
10	2540 99 811 8985	ARM, WINDSHIELD WIPER, RH	1	X	PRC2621
11	NOTPROVIDED	FERRULE, THREADED	1		37H3694
12	5305 99 941 9158	SCREW, MACHINE, PAN HD, SLOT DRIVE, 0.250 IN 24 UNF, 0.625 IN LB	2	X	5E106161
13	2540 99 824 3663	STRAP AND SLEEVE ASSY	1	X	BHA4790
14	NOTPROVIDED	PAD, MOUNTING, WINDSCREEN WIPER MOTOR	1		150844
15	2540 99 136 9893	PLATE NUT ASSY, RECTANGULAR	1	X	MRC5517
16	2540 99 825 8120	MOTOR, WINDSCREEN WIPER, 24V	1	X	AAU8238
17	2540 99 810 9629	SHAFT AND GEAR ASSY, WINDSCREEN WIPER	1	Y	37H2136
18	2540 99 821 9330	SWITCH, PARKING, WIPER	1	X	520160



From:
RNZEME Advisor
1 Base Sup Bn,
TRENTHAM CAM

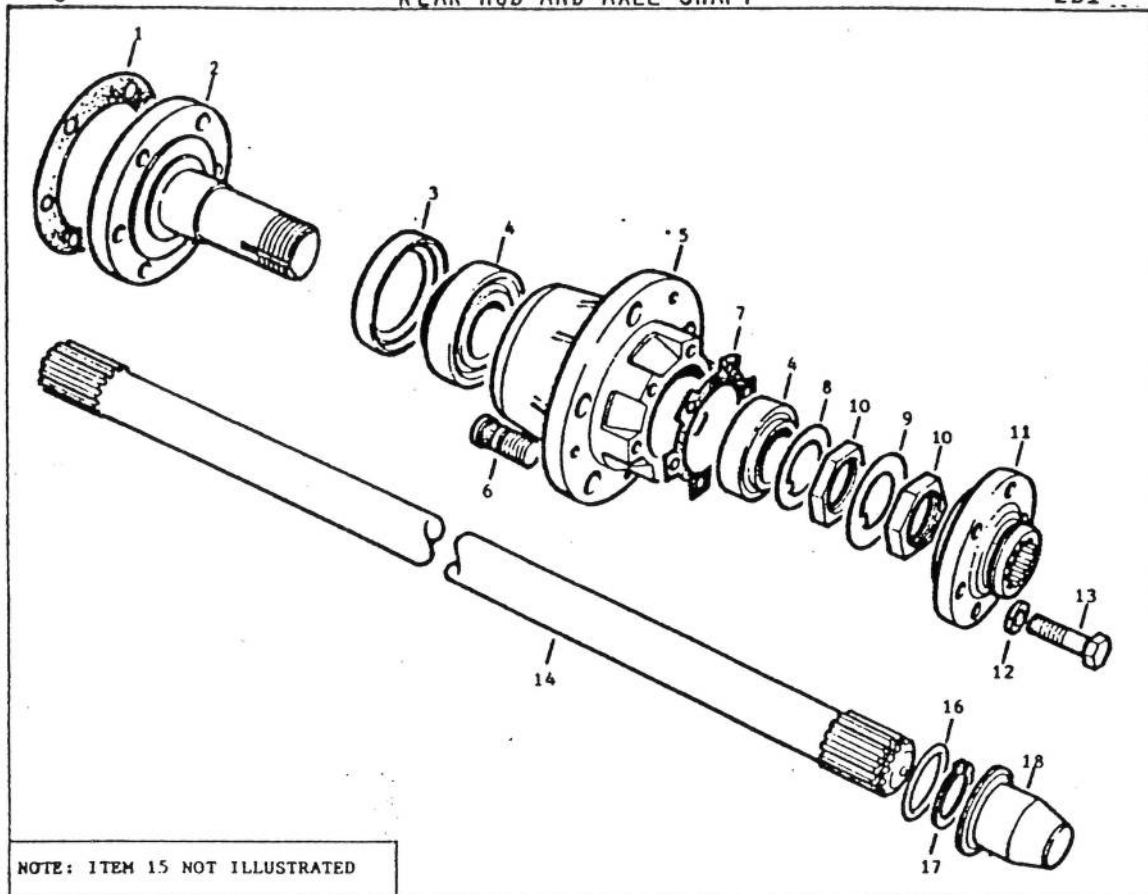
209

ILL NO	NSN	DESCRIPTION	QTY	R/L	NZMC
1	2540 99 802 7851	JET AND EXTENSION WINDSCREEN WASHER	2	X	GWW835
2	NOTPROVIDED	LEAD ELECTRICAL	1		
3	5340 99 896 0609	CLIP, CABLE	3	Y	240429
4	4730 99 882 0187	TEE, HOSE, POLYTHENE	1	Y	C15644
5	5325 99 895 1817	GROMMET RUBBER SYNTHETIC, GROOVED	1	Y	269257
6	5340 99 446 6158	STRAP, RETAINING	2	Y	90519602
7	5305 99 941 8362	SCREW TAPPING THREAD FORMING, PAN HD, SLOT DRIVE, CAD PLTD, NO 8 X 0.375 IN LB	1	Y	72626
8	4710 99 805 7843	TUBING, PVC, 0.156 IN ID, 0.250 IN OD, 57 IN LB	1	Y	GWN202M
9	5340 99 824 8426	CLIP, CABLE	3	Y	345662
10	NOTPROVIDED	LEAD, ELECTRICAL	1		559128
11	5305 99 941 9195	SCREW, MACHINE, FLAT FIL HD, SLOT DRIVE, CAD PLTD, NO 4 BAX 0.375 IN LB	1	Y	77701
12	5310 99 941 6652	WASHER, LOCK, SPLIT HELICAL RING, NO 4 BA NOM BOLT SIZE, 0.250 IN OD, 0.040 IN THK	1	Y	NM704001
13	5310 99 941 9961	NUT, PLAIN, HEX, STEEL, CAD PLTD, NO 4 BA	1	Y	4023



2D10

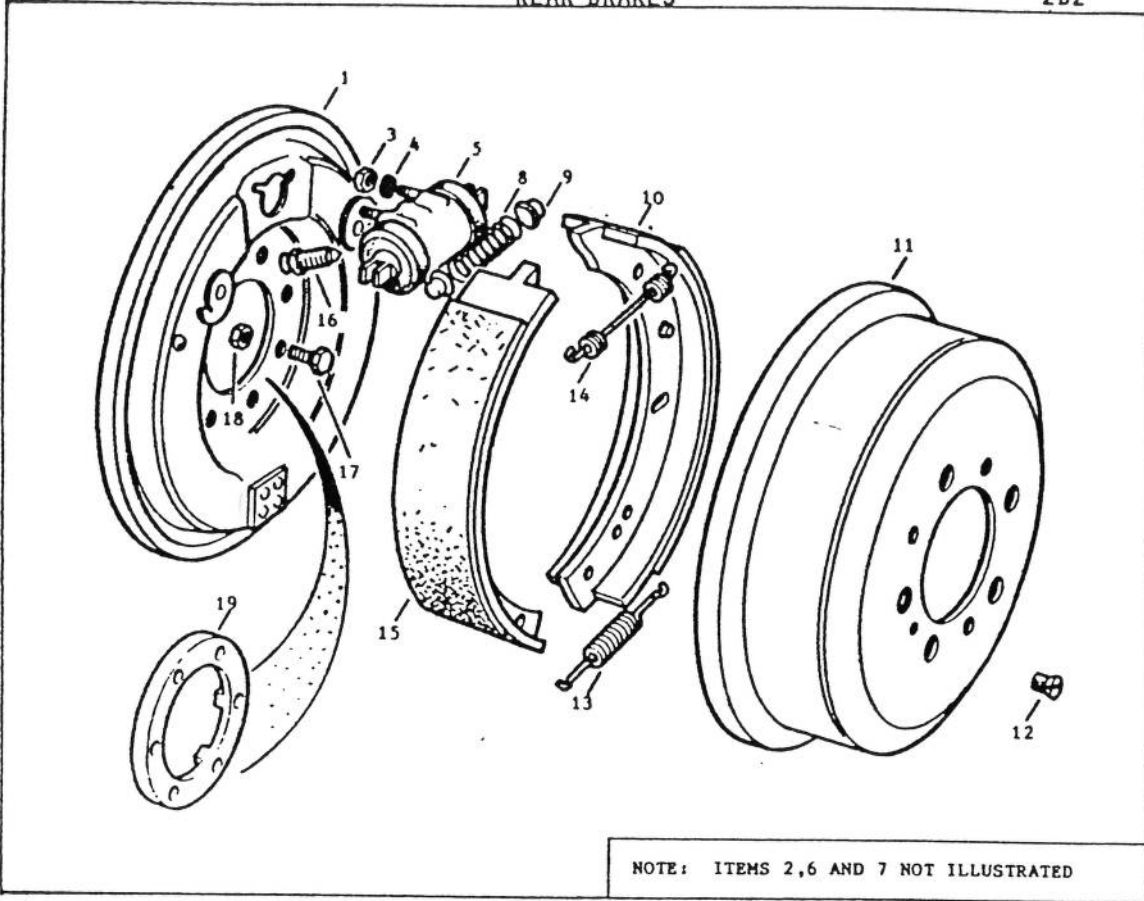
ILL NO	MSN	DESCRIPTION	QTY	R/L	NZMC
1	4710 99 805 7843	TUBING, PVC, 0.156 IN ID, 0.250 IN OD, 57 IN LG	1	Y	GWN202M
2	2540 99 828 4764	CAP, WATER CONTAINER	1	X	GWN960
3	2540 99 828 4763	CONTAINER, WATER, WINDSCREEN WASHER	1	X	GWN928
4	5305 99 946 2344	SCREW, MACHINE, HEX HD, STEEL, CAD PLTD, 0.190 IN 32 UNF, 0.500 IN LG	3	X	257009
5	5310 99 941 8543	WASHER, FLAT, RD, STEEL, ZINC PLTD, 0.203 IN NOM BOLT SIZE, 0.500 IN OD, 0.046 IN THK	3	X	WC102101
6	5310 99 941 6653	WASHER, LOCK, SPLIT HELICAL RING, STEEL, ZINC PLTD, 0.187 IN NOM BOLT SIZE, 0.330 IN OD, 0.064 IN THK	5	X	WN102001
7	5310 99 941 2419	NUT, PLAIN, HEX, STEEL, ZINC PLTD, 0.190 IN 32 UNF	5	X	257023
8	2540 99 804 7933	VALVE ASSY, TAPER TYPE, SPRING LOADED	1	X	GWN511
9	2540 99 824 6489	PUMP MOTOR ASSY WINDSCREEN WASHER 24V	1	X	PRC3370
10	5310 99 941 6867	WASHER, FLAT, RD, STEEL, CAD PLTD, 0.190 IN NOM BOLT SIZE, 0.390 IN OD, 0.032 IN THK	2	X	4HF306
11	5305 99 941 6190	SCREW, MACHINE, HEX HD, ZINC PLTD, 0.190 IN 32 UNF, 0.500 IN LG	2	X	78276



2B1

ILL NO	MSN	DESCRIPTION	QTY	R/L	NZMC
1	5330 99 849 9664	GASKET, STUB AXLE TO AXLE HSB	2	X	GFG103
2	2520 99 753 4752	HUB, WHEEL, REAR	2	X	FRC3924
3	5330 98 856 3545	SEAL, PLAIN, ENCASED	2	X	GH6206
4	3110 99 805 3264	BEARINGS, TAPERED, ROLLER, 1.781 IN ID, 3.062 IN OD, 0.781 IN W	4	X	QHB197
5	2530 99 838 3124	HUB, WHEEL, C/W STUDS	2	X	FRC8875
6	5306 99 136 7588	BOLT, RIBBED NECK, WEATHERTIGHT HEAD, METRIC, M 16, 1.5 MM PITCH, 37.30 MM LG	10	X	576825
7	5330 99 849 9030	GASKET, JOINT, HUB TO DRIVING MEMBER	2	X	8FG106
8	5310 99 849 8885	WASHER, KEY, 1 INT KEY, STEEL, 1.625 IN ID, 2.250 IN OD, 0.109 IN THK	2	X	217352
9	3110 99 849 8886	WASHER, KEY, 1 INT KEY, STEEL, 1.625 IN ID, 2.562 IN OD, 0.046 IN THK	2	X	217353
10	5310 99 849 8887	NUT, PLAIN, HEX, STEEL, 1.625 IN BSW	4	X	90217355
11	2520 99 809 7284	MEMBER, DRIVING, WHEEL HUB, FRONT AND REAR	2	X	571711
12	5310 99 941 6656	WASHER, LOCK, SPLIT, HELICAL RING, STEEL, 0.375 IN NOM BOLT SIZE, 0.590 IN OD, 0.092 IN THK	12	X	GHF333
13	5306 99 805 8020	BOLT, MACHINE, HEX HD, STEEL, 0.375 IN 20 BSF, 1.609 IN LG	12	X	215331
14	2520 99 821 9403	SHAFT, AXLE, AUTOMOTIVE, RIGHT REAR	1	X	576767
15	2520 99 821 9404	SHAFT, AXLE, AUTOMOTIVE, LEFT REAR	1	X	576768
16	5330 99 809 6587	RING, SEALING, TOROIDAL NITRILE, 1.674 IN ID, 0.103 IN H	2	X	GH51007
17	5363 99 809 6586	RING, RETAINING, CIRCULAR, EXT, 31 MM SHAFT DIA, 1.53 MM THK	2	X	549473
18	2530 99 849 9486	CAP, GREASE, WHEEL HUB	2	X	219098

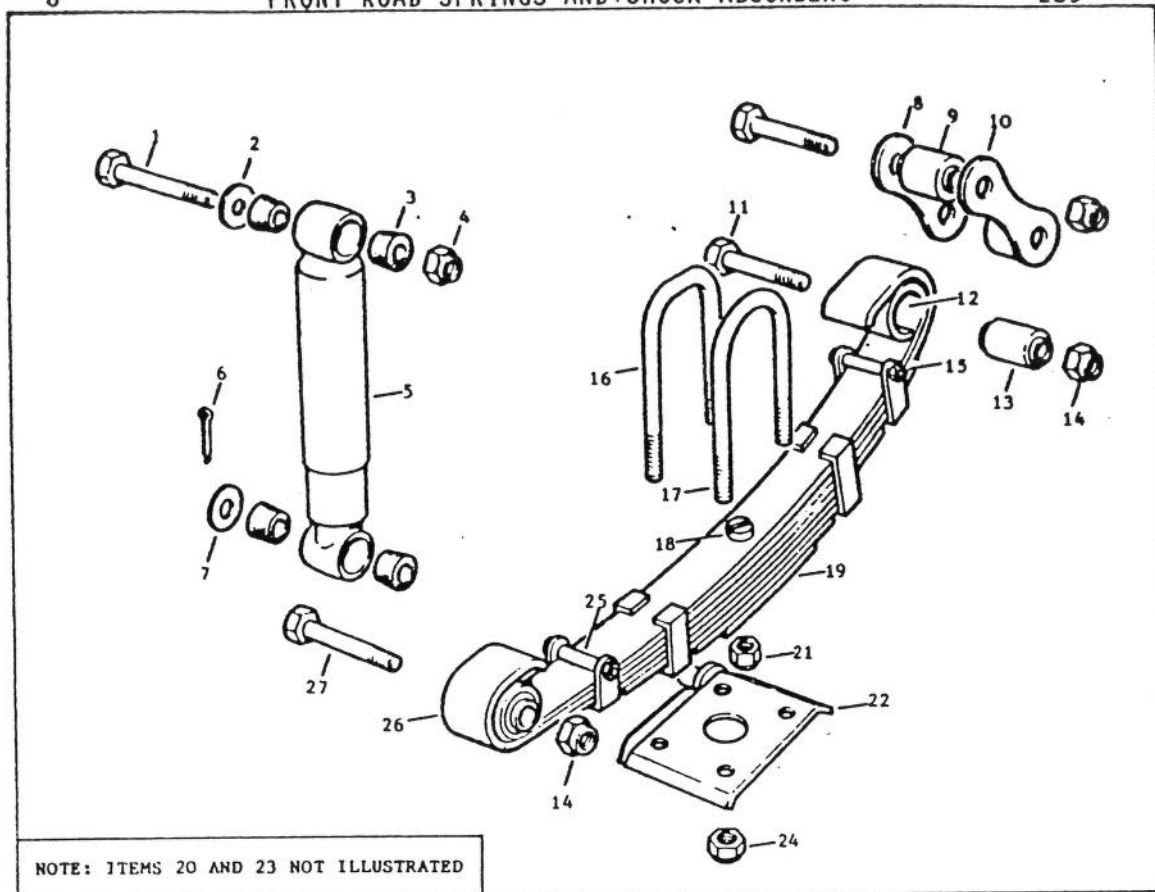
From
RNZEME Advisor,
1 Base Sup Bn,
TRENTHAM CAMP.



282

ILL NO	MSN	DESCRIPTION	QTY	N/L	NZMC
1	2530 99-828-1026	BACKPLATE LH	1	I	531888 600202
2	2530 99-828-1025	BACKPLATE RH	1	I	531889 600203
3	5310 99-941-0925	NUT, PLAIN, HEX, STEEL, ZINC PLTD, 0.312 IN 24 UNF	4	I	6HF201
4	5310 99-941-0635	WASHER, LOCK, SPLIT HELICAL RING, 0.312 IN BOLT SIZE, 0.500 IN OD, 0.078 IN THK	4	I	6HF332
5	2530 99-836-5350	CYLINDER ASSY, HYDRAULIC BRAKE, WHEEL, RH	1	I	6WC305
6	2530 99-836-5351	CYLINDER ASSY, HYDRAULIC BRAKE, WHEEL LH	1	I	6WC306
7	2530 99-821-4968	PARTS KIT, HYDRAULIC BRAKE WHEEL CYLINDER	1	I	275744
8	2530 99-836-5333	SPRING, HELICAL COMPRESSION	2	I	212919
9	2530 99-836-5286	SEAT, COMPRESSION HELICAL SPRING RETAINING	4	I	-
10	2530 98-856-3531	BRAKE SHOE SET	1	I	485805
11	2530 99-820-5481	BRAKE DRUM	2	I	576973
12	5305 99-849-9405	SCREW, MACHINE, FLAT CSK HD, BLT DRIVE, 0.375 IN BSW, 0.562 IN LG	6	I	1510
13	2530 99-805-8972	SPRING, BRAKE SHOE RETURN	2	I	531893
14	2530 99-882-0420	SPRING, BRAKE SHOE RETURN	2	I	548169
15	NOT PROVIDED	LINING SET, C/W RIVETS (USE ITEM 10)	1		NZ1466
16	2990 99-881-6380	BLEEDER VALVE, HYDRAULIC SYSTEM	2	I	556508
17	5306 99-977-8201	BOLT, MACHINE, HEX HD, STEEL, ZINC PLTD, 0.375 IN 20 BSF, 2.110 IN LG	12	I	AFU1068
18	5310 99-120-3156	NUT, SELF LOCKING, ZINC PLTD, 0.375 IN BSF	12	I	251322
19	5330 99-834-3525	DEFLECTOR, DIRT AND LIQUID	2	I	FRC3127

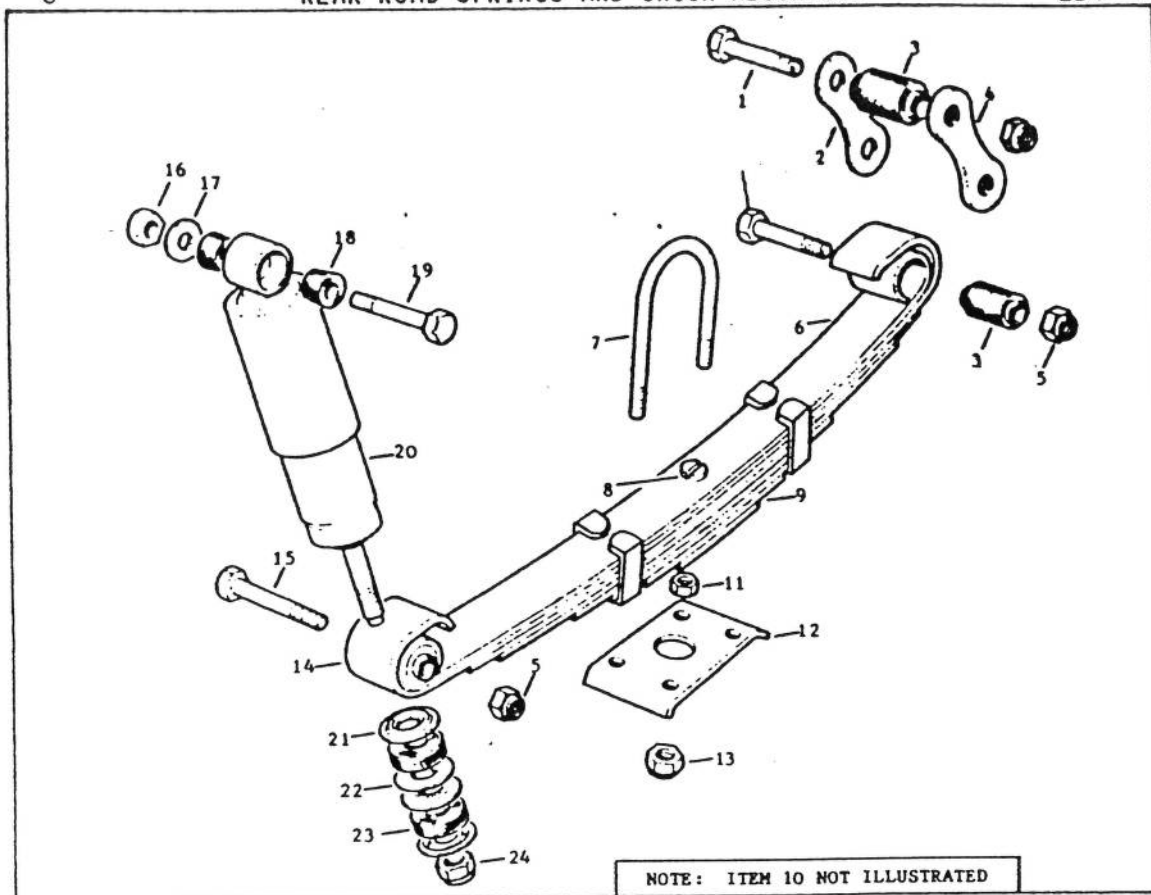
99-809-6752



NOTE: ITEMS 20 AND 23 NOT ILLUSTRATED

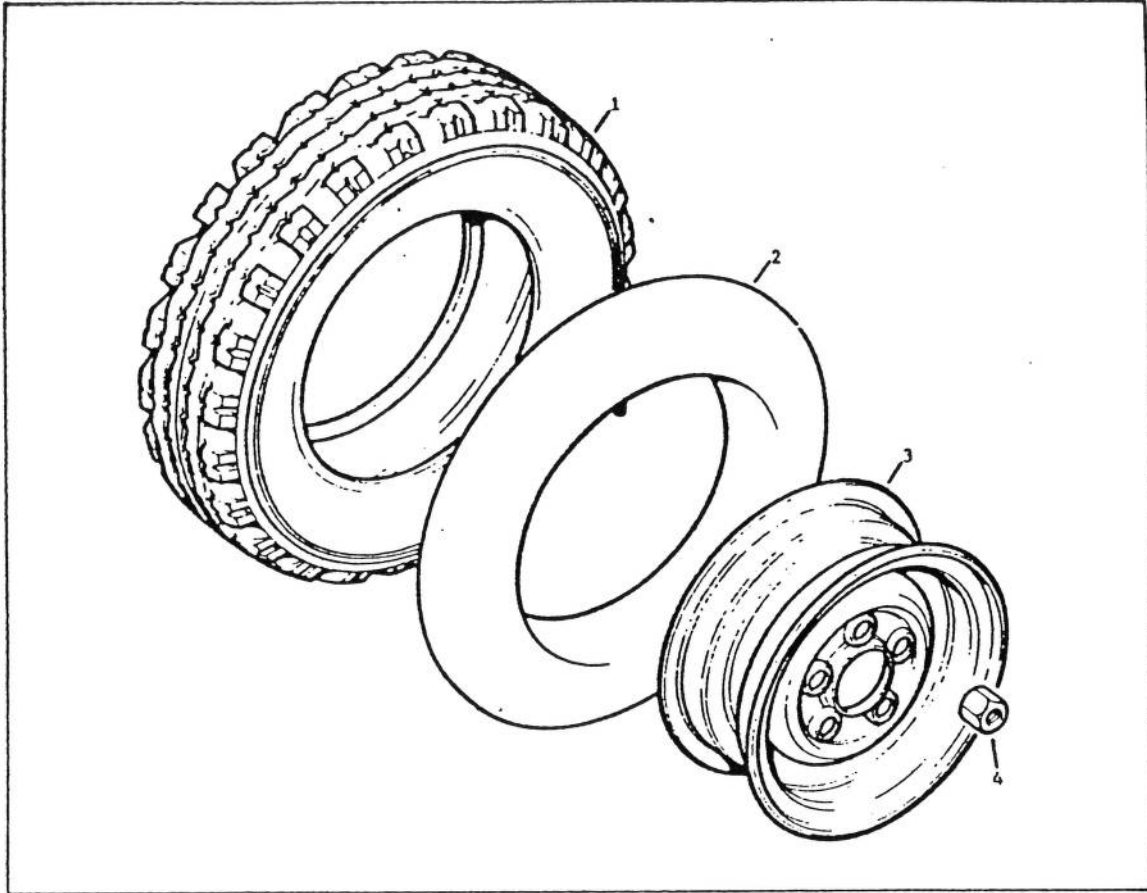
283

ILL NO	NSN	DESCRIPTION	QTY	R/L	NZMC
1	5306 98 856 3342	BOLT, MACHINE, HEX HD, STEEL, 0.437 IN 20 UNF, 6.750 IN LG	2	X	258830
2	5310 99 849 9754	WASHER, FLAT	2	X	243022
3	5340 99 809 1703	BUSHING, RUBBER, SYNTHETIC, 0.750 IN ID, 1.453 IN OD, 0.875 IN LG	8	X	552819
4	5310 99 941 7650	NUT, SELF LOCKING, HEX, STEEL, ZINC PLTD, 0.437 IN 20 UNF	2	X	6HF224
5	2540 99 408 6086	ABSORBER, SHOCK, DIRECT ACTION, FRONT	2	X	66A392
6	5315 99 120 9370	PIN, COTTER, SPLIT, STEEL, CORROSION RESISTANT, 0.250 IN NOM DIA, 1.250 IN LG	2	X	4063
7	5310 99 849 9919	WASHER, FLAT	2	X	264024
8	2510 99 824 8405	PLATE, SHACKLE, STEEL, WELDED OUTER, 1 HOLE EACH END	2	X	90577723
9	5340 99 819 5186	MOUNT, RESILIENT, RUBBER/STEEL, 0.562 IN BORE DIA, 1.500 IN OD, 3.625 IN LG	2	Y	90577434
10	2510 99 824 8406	PLATE, SHACKLE, STEEL, WELDED BUSH 1 END, 1 TAPPED HOLE EACH END, INNER	2	X	90577721
11	5306 99 873 8122	BOLT, MACHINE	4	X	537742
12	NOTPROVIDED	LEAF, MAIN, FRONT SPRING (with bushes)	2		243121
13	5340 99 874 1791	MOUNT, RESILIENT, 2.750 IN LG	4	X	548205
14	5310 99 873 8072	NUT, SELF LOCKING, HEX, STEEL, ZINC PLTD, 0.562 IN 18 UNF	6	X	252165
15	NOTPROVIDED	NUT, PLAIN, HEX, STEEL, ZINC PLTD, GRADE A, 0.375 IN 20 BSF	2		2827
16	5306 98 856 3609	U BOLT	1	X	NRC3004
17	5306 99 828 4089	U BOLT, ROUND, STEEL, 175 MM LG, 78 MM W, M 12, 1.75 MM PITCH, 3A MM THD LG	3	X	624028
18	2510 99 829 0435	DOWEL, ROAD SPRING	2	X	RTC1920
19	2510 99 844 9762	SPRING ASSY, LEAF, RIGHT FRONT	1	X	276034
20	2510 99 850 1677	SPRING ASSY, LEAF, LEFT FRONT	1	X	265627
21	5310 99 122 5496	NUT, SELF LOCKING, HEX, STEEL, ISO METRIC, 8 MM, 1.25 MM PITCH	2	X	6HF232
22	5360 98 856 3658	PLATE, FRONT SPRING HOLDING, LH	1	X	624079
23	5360 98 856 3652	PLATE, FRONT SPRING HOLDING, RH	1	X	NRC3006
24	5310 99 122 5498	NUT, SELF LOCKING, HEX, STEEL, ZINC PLTD, ISO METRIC, 12 MM, 1.75 MM PITCH	2	X	251823
25	NOTPROVIDED	BOLT, MACHINE, HEX HD, STEEL, ZINC PLTD, 0.375 IN BSF, 3.500 IN LG	2		250551
26	NOTPROVIDED	LEAF, FRONT SPRING, NO 2	2		243126
27	5306 99 873 8121	BOLT, MACHINE, HEX HD, STEEL, 0.562 IN 18 UNF, 4.500 IN LG	2	X	537741



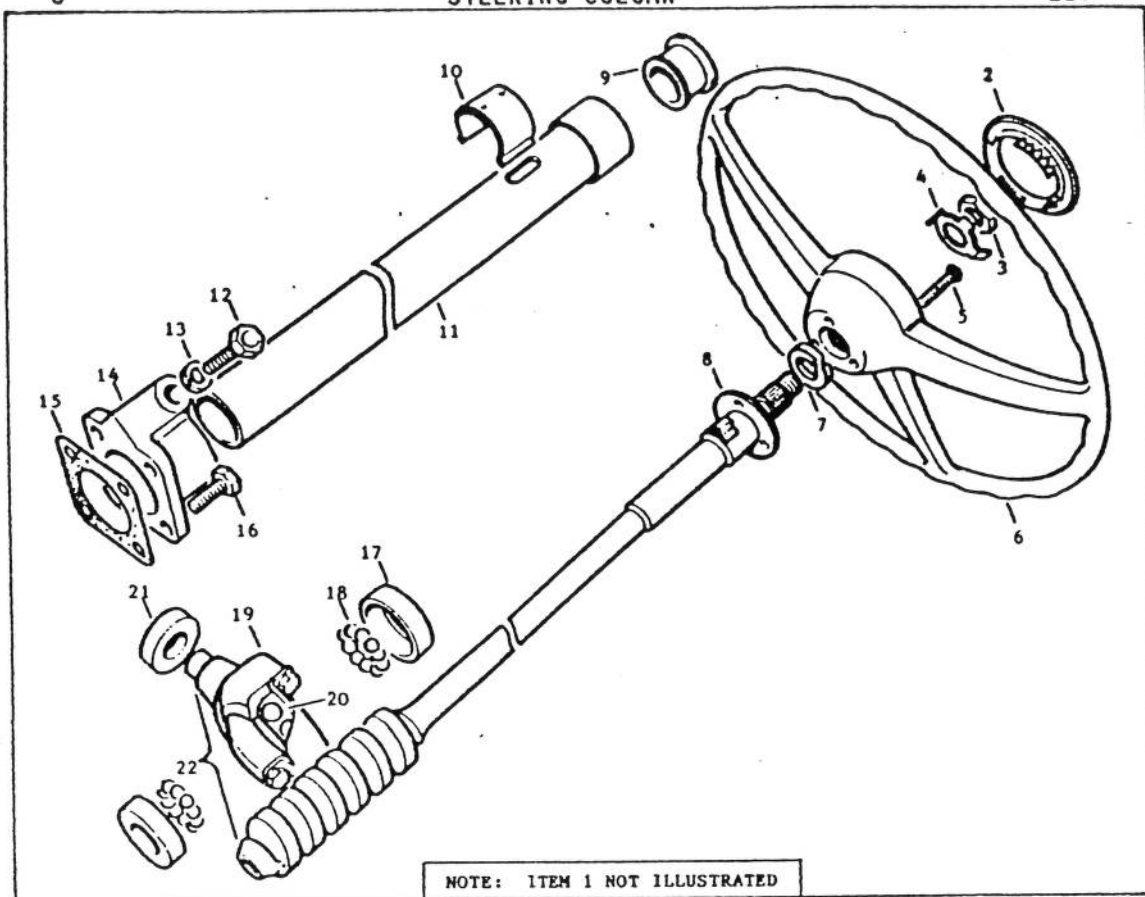
2B4

ILL NO	MSN	DESCRIPTION	QTY	R/L	NZMC
1	5306 99 873 8120	BOLT, MACHINE	4	X	537740
2	2510 99 850 1687	PLATE, REAR SHACKLE, INNER	2	X	219970
3	5340 99 874 1791	MOUNT, RESILIENT, 2.750 IN LG	6	X	548205
4	2510 99 809 1693	PLATE, SHACKLE, LEAF SPRING, REAR	2	X	537685
5	5310 99 873 8072	NUT, SELF LOCKING, HEX, STEEL, ZINC PLTD, 0.562 IN 18 UNF	6	X	252165
6	2510 99 874 2691	LEAF, MAIN, REAR SPRING	2	Y	501390
7	5306 99 137 6354	BOLT U, 177.50 MM LG, 81 MM W, M12 X 1.75 MM ISO METRIC THD ENDS	4	X	592182
8	2510 99 829 0436	DOMEL, ROAD SPRING	2	X	RTC1921
9	2510 99 850 1932	SPRING ASSY, LEAF, REAR, LH	1	X	272968
10	2510 99 850 1931	SPRING ASSY, LEAF, REAR, RH	1	X	272967
11	5310 99 122 5497	NUT, SELF LOCKING, HEX, STEEL, ZINC PLTD, ISO METRIC, 10 MM, 1.50 MM PITCH	2	X	NY110041
12	2510 99 824 3025	PLATE, LOCATING, BOTTOM, FOR REAR SPRING	2	X	592179
13	5310 99 122 5498	NUT, SELF LOCKING, HEX, STEEL, ZINC PLTD, ISO METRIC, 12 MM, 1.75 MM PITCH	8	X	GHF234
14	2510 99 874 0255	LEAF, REAR SPRING, NO 2	2	Y	501391
15	5306 99 873 8121	BOLT, MACHINE, HEX HD, STEEL, 0.562 IN 18 UNF, 4.500 IN LG	2	X	537741
16	5310 99 941 7650	NUT, SELF LOCKING, HEX, STEEL, ZINC PLTD, 0.437 IN 20 UNF	2	X	252163
17	5310 99 849 9754	WASHER, FLAT	2	X	243022
18	5340 99 809 1703	BUSHING, RUBBER, SYN, 0.750 IN ID, 1.453 IN OD, 0.875 IN LG	4	X	552819
19	5306 99 123 3727	BOLT, MACHINE, HEX HD, STEEL, 0.437 IN 20 UNF, 7.250 IN LG	2	X	253826
20	2540 99 800 7396	ABSORBER, SHOCK, DIRECT ACTION, REAR	2	X	65A393
21	2540 99 800 7370	RETAINER, CUSHION, WASHER	4	X	500746
22	5310 99 977 1726	WASHER, SHOULDERED	4	X	NR4365
23	5340 99 800 7372	BUMPER, RUBBER	4	X	552818
24	5310 99 943 4300	NUT, SELF LOCKING, HEX, STEEL, ZINC PLTD, 0.500 IN 20 UNF	2	X	252164



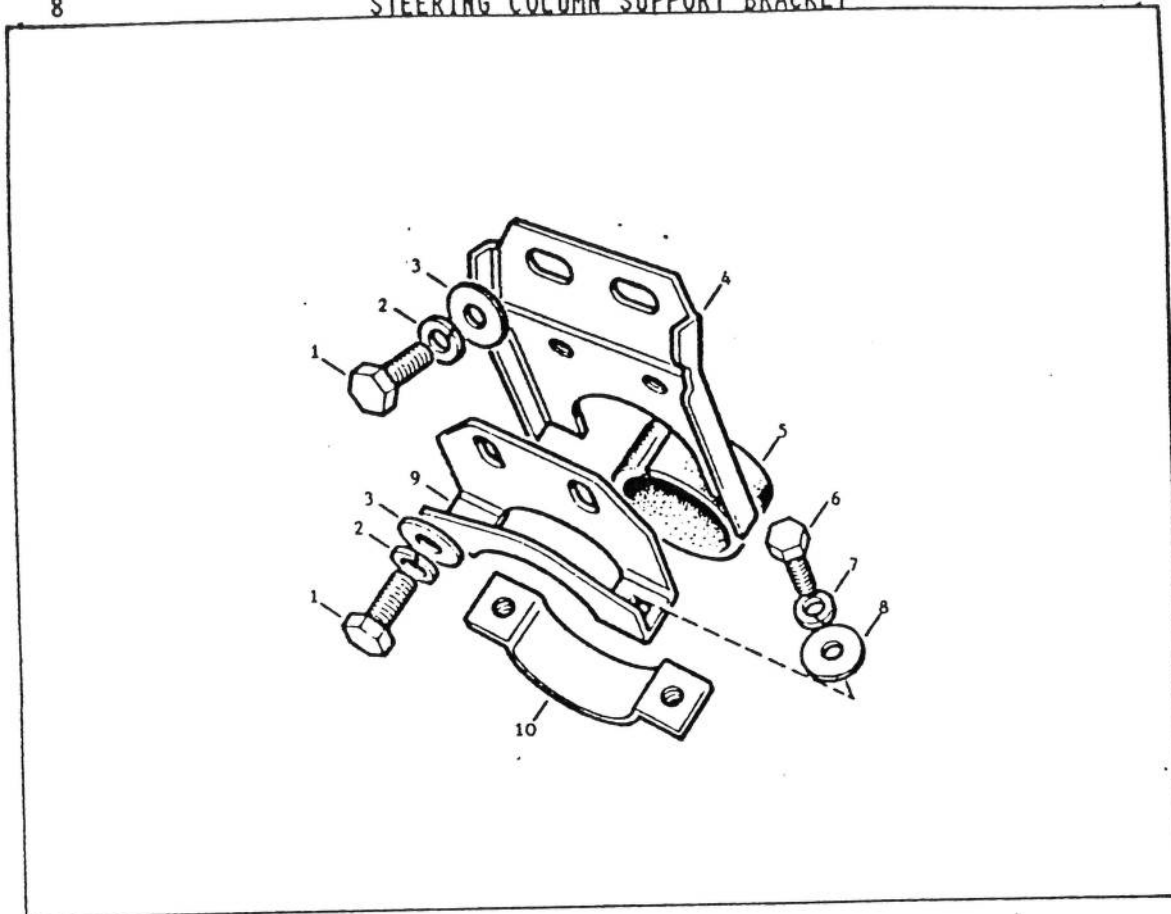
285

ILL NO	MSN	DESCRIPTION	QTY	R/L	
1	NOTPROVIDED	TYRE, PNEUMATIC (CES ITEM)	5		
2	NOTPROVIDED	TUBE, PNEUMATIC, ROAD WHEEL (CES ITEM)	5		
3	2530 98 856 3641	WHEEL, PNEUMATIC TYRE	5	X	NRC1578
4	5310 99 819 1858	NUT, CONE SEAT, HEX, 16 MM, 1.5 MM PITCH, ISO METRIC	20	X	90577473



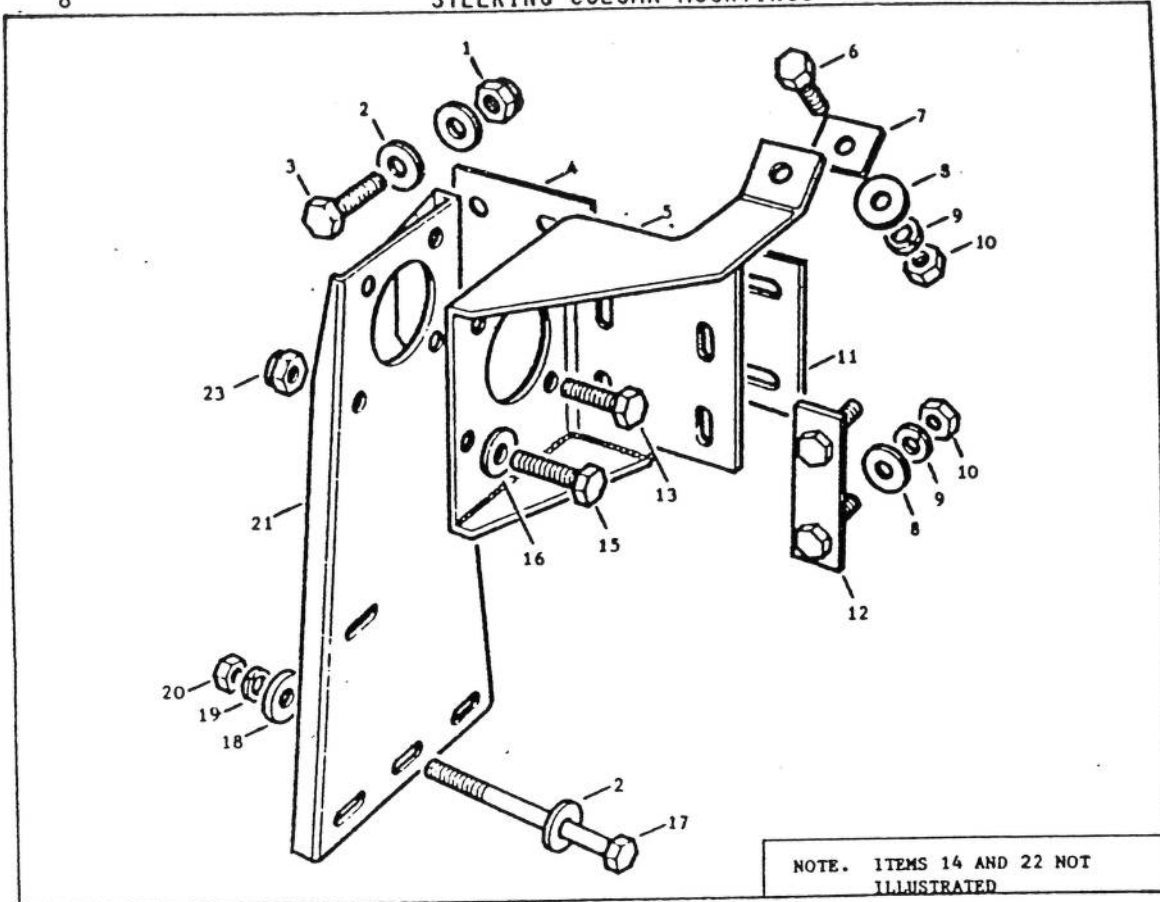
286

ILL. NO	MSN	DESCRIPTION	QTY	E/L	NZMC
x 1	2530 99 819 1666	STEERING GEAR, RECIRCULATING BALL TYPE	1	I	NRC5962
2	2530 99 831 9032	INSERT, STEERING WHEEL CAP	1	I	NRC3411
3	5310 99 127 5228	NUT, PLAIN, HEX, STEEL, UNS	1	I	552804
4	5310 99 137 6753	WASHER, KEY, STEEL, 3 EXT KEYS	1	I	NRC5385
5	5305 99 101 2952	SCREW, MACHINE, PAN HD, SLOT DRIVE, CRD PLTD, 0.190 IN 32 UNF, 0.875 IN LG	2	I	78644
6	2530 99 835 6435	WHEEL, STEERING	1	I	NRC4346
7	5310 99 139 3409	WASHER, LOCK, SPLIT, DOUBLE HELICAL RING, STEEL	1	I	NRC3150
8	2530 99 824 8227	STRIKER, DIRECTION INDICATOR	1	I	589553
9	3120 98 856 0445	BEARINGS ASSY, STEERING COLUMN UPPER	1	I	RTC324
10	2530 99 824 8230	SHIELD, DUST, STEEL, 1.250 IN LG	1	Y	577472
11	NOTPROVIDED	COLUMN, STEERING GEAR	1		594505
12	5306 99 941 1540	BOLT, MACHINE, UNC, S, STEEL, HEX HD, ZN/PLD, 0.313 IN X 2 IN LG, CLASS 2B THD	1	Y	607972
13	5310 99 941 6655	WASHER, LOCK, SPLIT HELICAL RING, S	1	Y	6HF332
14	NOTPROVIDED	HOUSING, TUBE	1		607971
15	5330 99 819 2619	GASKET, 0.010-IN THK	1	Y	90607973
16	2530 99 824 8720	BOLT, END PLATE	4	Y	607992
17	3110 99 805 4379	RING, BEARING, OUTER, 0.968 IN ID, 1.593 IN OD, 0.437 IN H	2	Y	271384
18	3110 99 950 0570	BALL, BEARING, CHROME CARBON STEEL, 0.281-IN DIA	20	Y	8L509
19	2530 99 849 9687	NUT, STEERING	1	Y	261962
20	3110 99 950 0573	BALL, BEARING, STEEL, 0.375 IN CHROME CARBON STEEL	12	Y	8L512
21	3120 99 833 7911	BEARING, SLEEVE, STEEL, 0.437 IN ID, 1 IN OD, 0.250 IN W, CASE HARDENED	1	Y	261869
22	2530 98 856 3690	SHAFT, STEERING GEAR, C/W STEERING NUT	1	Y	RTC562

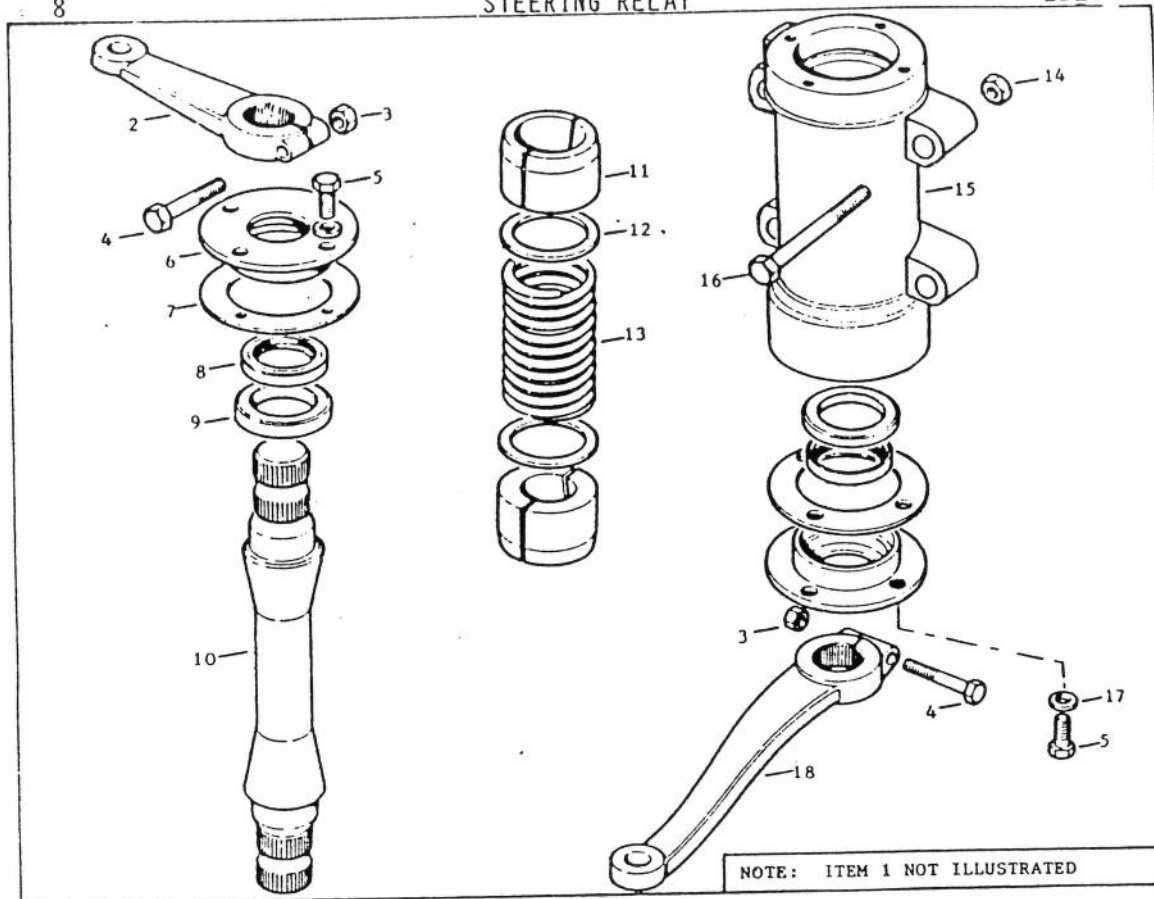


286

ILL NO	MSH	DESCRIPTION	QTY	R/L	NZMC
1	5305 99 941 0525	SCREW, MACHINE, HEX HD, S STEEL, ZINC PLTD, 0.312 IN 24 UNF, 0.750 IN LG	4	Y	GHF120
2	5310 99 941 6655	WASHER, LOCK, STEEL, SPLIT HELICAL RING, 0.312 IN BOLT SIZE	4	Y	GHF332
3	5310 99 134 2496	WASHER, FLAT, RD, STEEL, CRD PLTD, 0.312 IN NOM BOLT SIZE	4	Y	3930
4	NOTPROVIDED	BRACKET, STEERING COLUMN	1		346713
5	5330 99 805 4367	STRIP, RUBBER, SOLID, RECTANGULAR, 4.250 IN LG, 1.250 IN W, 0.062 IN THK	1	X	348747
6	5305 99 941 0279	SCREW, MACHINE, HEX HD, S STEEL, ZINC PLTD, 0.250 IN 28 UNF, 0.875 IN LG	2	X	SH604071
7	5310 99 941 6654	WASHER, LOCK, SPLIT HELICAL RING, STEEL, 0.250 IN BOLT SIZE, 0.425 IN OD, 0.072 IN THK	2	X	GHF331
8	5310 99 952 1024	WASHER, FLAT, RD, STEEL, CRD PLTD	2	X	RTC617
9	NOTPROVIDED	BRACKET, SUPPORT, STEERING COLUMN	1		346722
10	2540 99 824 8008	BRACKET, CLAMP, STRAP WITH NUTS	1	X	346715

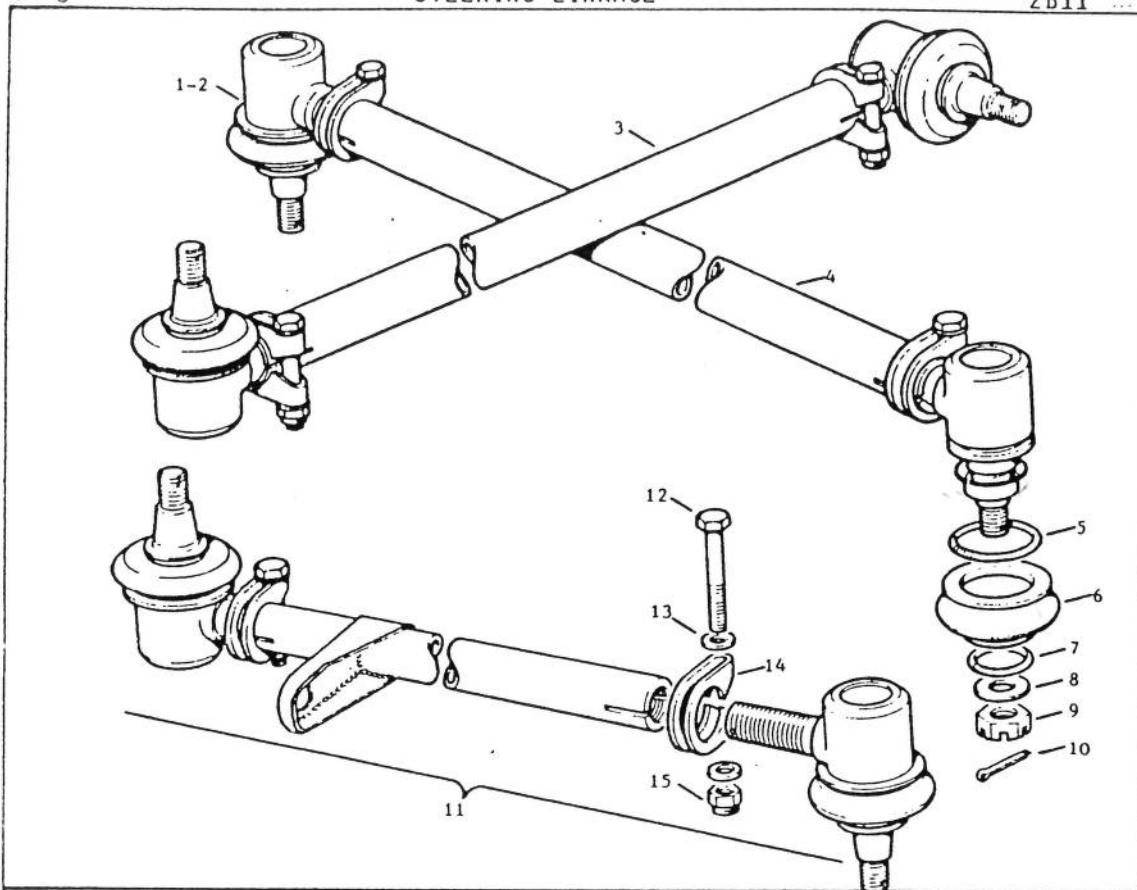


ILL NO	MSN	DESCRIPTION	QTY	R/L	NZMC
1	5310 99 202 9996	NUT, SELF LOCKING, HEX, PHOS TREATED, 0.312 IN 24 UNF	4	X	GHF242
2	5310 99 134 2496	WASHER, FLAT, RD, STEEL, CRD PLTD, 0.312 IN NOM BOLT SIZE, 0.750 IN OD, 0.072 IN THK	16	X	3830
3	5305 99 941 0526	SCREW, MACHINE, HEX HD, 8 STEEL, ZINC PLTD, 0.312 IN 24 UNF, 0.875 IN LG	4	X	255227
4	NOTPROVIDED	PACKING PIECE, STEEL, 84 MM LB, 70 MM W, 2 MM THK	1		592956
5	NOTPROVIDED	BRACKET, STIFFENER	1		90577264
6	5306 99 941 0936	BOLT, MACHINE, HEX HD, STEEL, CRD PLTD, 0.250 IN 28 UNF, 1 IN LG	1	X	GHF101
7	2530 99 845 0136	PACKING PIECE, AL, 1.375 IN L, 1 IN X 0.062 IN	1	X	504279
8	5310 99 120 7136	WASHER, FLAT, RD, STEEL, CRD PLTD, 0.250 IN ID, 0.625 IN OD, 0.040 IN THK	5	X	3831
9	5310 99 941 6634	WASHER, LOCK, SPLIT HELICAL RING, STEEL, 0.250 IN BOLT SIZE, 0.425 IN OD, 0.672 IN THK	5	X	GHF331
10	5310 99 804 7941	NUT, PLAIN, HEX, STEEL, ZINC PLTD, 0.250 IN 28 UNF	5	X	NH604061
11	NOTPROVIDED	PACKING PIECE, STEEL, 2.750 IN LB, 1.250 IN W, 0.060 IN THK	3		569522
12	2510 99 824 4299	PLATE ASSY, RETAINER, SEAT CUSHION	2	X	395064
13	5305 99 137 6754	SCREW, SELF LOCKING, HEX HD, STEEL, 0.437 IN 14 UNC, 0.750 IN LG	1	X	571271
14	5305 99 137 6753	SCREW, SELF LOCKING, HEX HD, STEEL, 0.437 IN 14 UNC, 1 IN LG	1	X	571272
15	5305 99 941 0558	SCREW, MACHINE, HEX HD, 8 STEEL, 0.437 IN 20 UNF, 1.500 IN LG	2	X	8HF107
16	5310 99 941 8636	WASHER, FLAT, RD, STEEL, ZINC PLTD, 0.437 IN NOM BOLT SIZE, 0.875 IN OD, 0.092 IN THK	4	X	RTC605
17	5306 99 139 2735	BOLT, MACHINE, HEX HD, 8 STEEL, ZINC PLTD, 0.312 IN UNF, 3.750 IN LG	6	X	8H605317
18	5310 99 136 5496	WASHER, FLAT, RD, STEEL, 0.312 IN NOM BOLT SIZE, 1.250 IN OD, 0.125 IN THK	6	X	WP185
19	5310 99 941 6655	WASHER, LOCK, STEEL, SPLIT HELICAL RING, 0.312 IN BOLT SIZE	6	X	GHF332
20	5310 99 136 1515	NUT, PLAIN, HEX, STEEL, 0.312 IN 24 UNF	6	X	GHF201
21	NOTPROVIDED	BRACKET, STEERING BOX	1		592984
22	NOTPROVIDED	BRACKET, STEERING BOX, LH	1		592985
23	5310 99 941 7650	NUT, SELF LOCKING, HEX, ZINC PLTD, 0.437 IN 20 UNF	2	X	GHF224



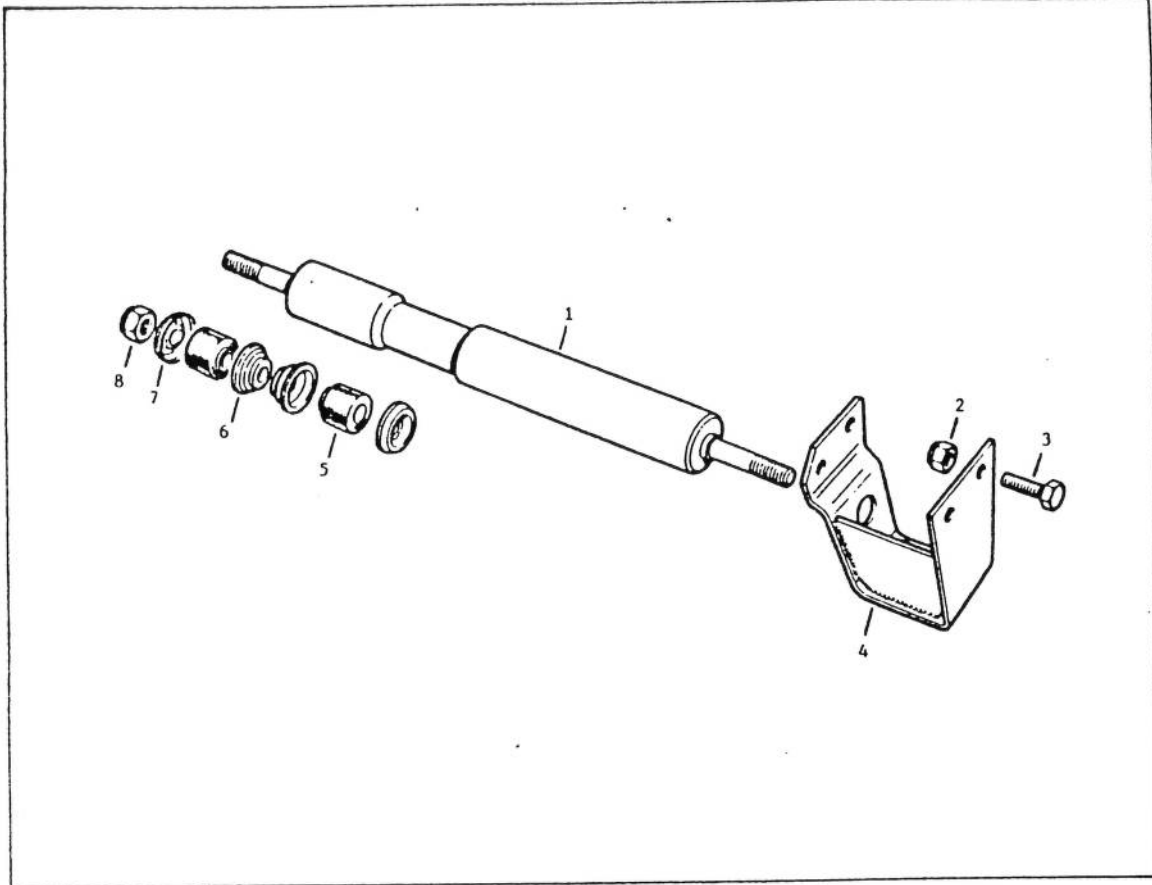
2B10

ILL NO	NSN	DESCRIPTION	QTY	R/L	NZMC
1	2530 98 856 0423	STEERING RELAY	1	X	NRC2410
2	2530 98 856 0436	LEVER, REMOTE CONTROL, RELAY BOX, UPPER	1	X	NRC4343
3	5310 99 941 7650	NUT, SELF LOCKING, HEX, STEEL, ZINC PLTD, 0.437 IN 20 UNF	2	X	GHF224
4	5306 99 941 0331	BOLT, MACHINE, HEX HD, STEEL, ZINC PLTD, 0.437 IN 20 UNF, 2.250 IN LG	2	X	8X607181
5	5306 98 856 3603	BOLT, SPECIAL	8	Y	NRC2852
6	5330 99 829 4925	RETAINER, OIL SEAL	2	Y	90624433
7	5330 99 824 6174	GASKET, PAPER, RD	2	Y	90624436
8	5330 99 801 5309	SEAL, OIL, PLAIN, ENCASED, 1.125 IN ID, 1.505 IN OD, 0.250 IN H	2	Y	213340
9	3120 99 829 4921	WASHER, RECESSED, COPPER	2	Y	624434
10	2530 99 805 4369	SHAFT, SHOULDERED, STEEL	1	Y	562875
11	2530 99 874 0254	BEARING HALVES (SET OF 4 HALVES)	1	Y	537877
12	5365 99 849 9499	WASHER, FLAT, RD, 1.406 IN ID, 1.796 IN OD, 0.062 IN THK	2	Y	230760R
13	2530 99 849 9498	SPRING, HELICAL, COMPRESSION, 7 IN FREE LG	1	Y	230759
14	5310 99 122 5497	NUT, SELF LOCKING, HEX, STEEL, ZINC PLTD, ISO METRIC, 10 MM, 1.50 MM PITCH	4	X	N4110041
15	NOT PROVIDED	HOUSING, STEERING RELAY	1		NRC2409
16	5306 98 856 3410	BOLT, MACHINE, HEX HD, STEEL, ZINC PLTD, 10 MM, 1.50 MM PITCH, 40 MM LG	4	X	GHF136
17	2530 99 825 4563	WASHER, SPECIAL	8	Y	RTC840
18	2530 99 874 0253	LEVER, REMOTE CONTROL, STEERING RELAY, LOWER	1	X	535286



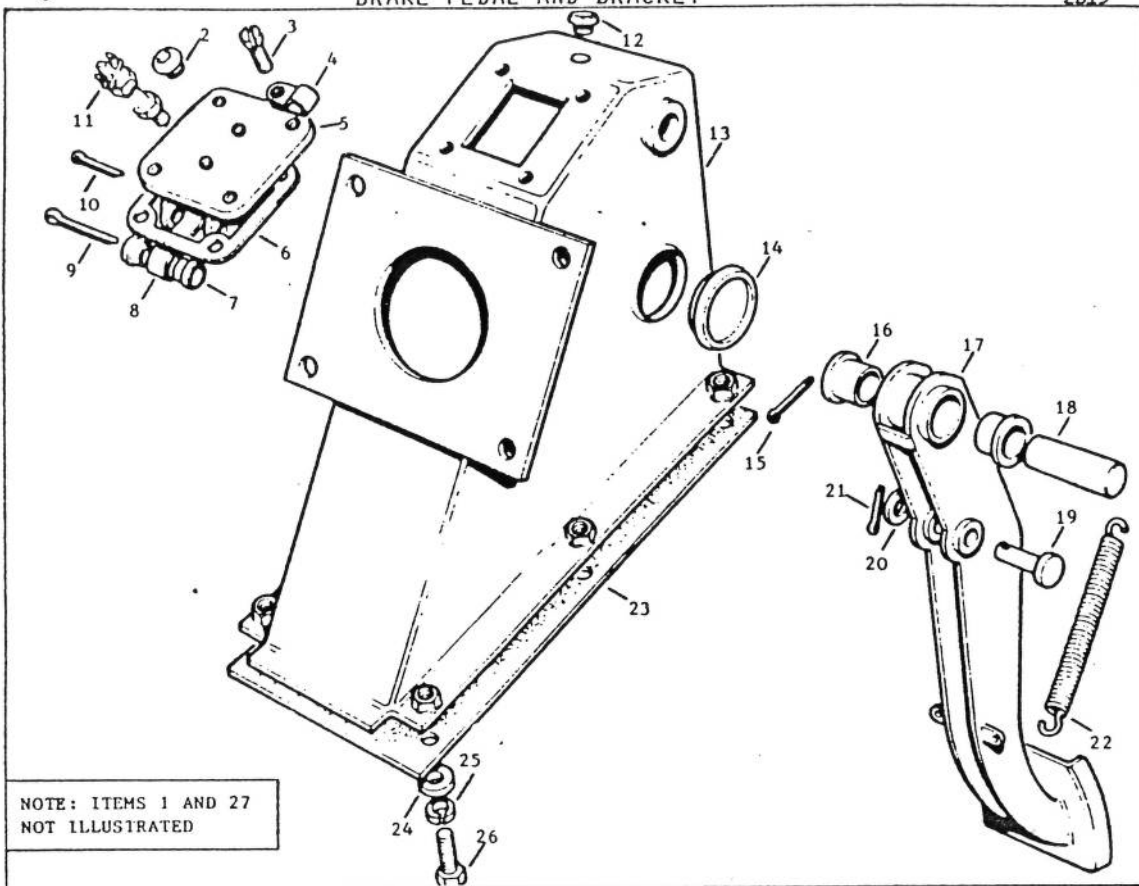
2B11

ILL NO	MSN	DESCRIPTION	QTY	R/L	NZMC
1	2530 99 827 6559	ROD END, STEERING, RH THD	3	X	46J152
2	2530 99 838 4706	ROD END, STEERING, LH THD	3	X	46J153
3	2530 99 828 4738	STEERING GEAR, C/W BALL JOINT ASSY	1	X	RTC1806
4	2530 99 828 4737	TIE ROD, STEERING, C/W ROD END ASSY	1	X	RTC1810
5	NOTPROVIDED	SPRING, GARTER, EXTENSION	6		214685
6	NOTPROVIDED	BOOT, DUST AND MOISTURE	6		214649
7	2530 99 849 9445	SPRING, GARTER, EXTENSION, COVER TO BALL	6	X	90214648
8	5310 99 122 6477	WASHER, FLAT, RD, STEEL, ZINC PLTD, 12 MM NOM BOLT SIZE, 24 MM OD, 2.50 MM THK	6	X	NC112081
9	5310 99 139 9062	NUT, SLOTTED, HEX, STEEL	6	X	NC112041
10	5315 99 138 2205	PIN, COTTER, SPLIT, STEEL, PHOS FIN, 2.50 MM OD, 25 MM LG	6	X	P6105251
11	2530 99 835 5759	DRAG LINK, STEERING, C/W BALL JOINTS	1	X	RTC2547
12	5306 99 127 7116	BOLT, MACHINE, HEX HD, S STEEL, ZINC PLTD, 0.250 IN 28 UNF, 1.875 IN LG	6	X	GHF118
13	5310 99 952 1024	WASHER, FLAT, RD, STEEL, CAD PLTD AND PASSIVATED, 0.270 IN ID, 0.562 IN OD, 0.036 IN THK	12	X	NB106041
14	2530 99 813 0203	CLIP, STEERING ROD, STEEL	6	X	577898
15	5310 99 120 8703	NUT, SELF LOCKING, HEX, STEEL, ZINC PLTD, 0.250 IN 28 UNF	6	X	GHF241



2812

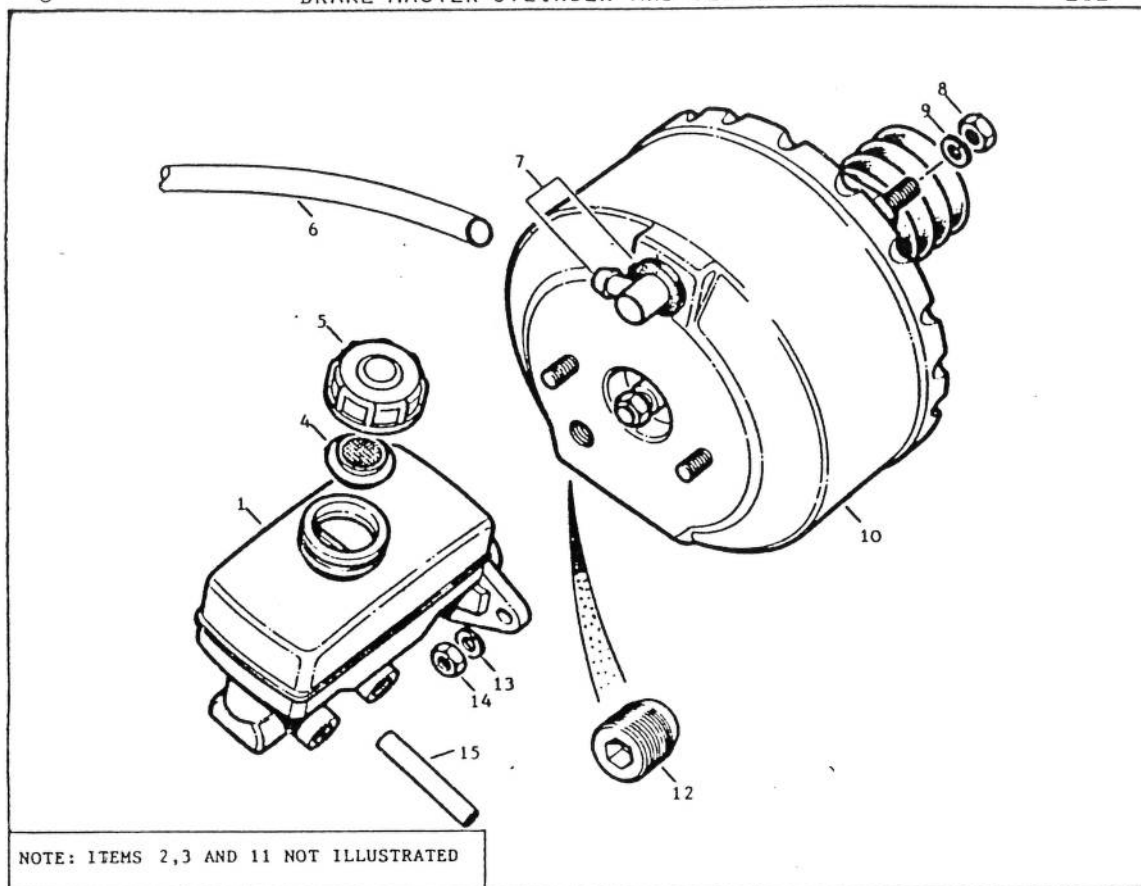
ILL NO	NSN	DESCRIPTION	QTY	R/L	NZMC
1	2540 98 856 3577	ABSORBER, SHOCK, DIRECT ACTION	1	X	NRC6674
2	5310 99 122 5496	NUT, SELF LOCKING, HEX, STEEL, ZINC PLTD, ISO METRIC, 8 MM, 1.25 MM PITCH	4	X	6HF202
3	5305 99 122 5367	SCREW, MACHINE, HEX HD, STEEL, ZINC PLTD, ISO METRIC, 8 MM, 1.25 MM PITCH, 25 MM LG	4	X	9H606071
4	NOTPROVIDED	BRACKET	1		552388
5	5340 99 807 3231	BUSHING	4	X	568858
6	5310 99 807 3230	WASHER, SHOULDERED AND RECESSED	4	X	543819
7	5310 99 807 3229	WASHER, FINISHING, STEEL	4	X	543818
8	5310 99 943 4299	NUT, SELF LOCKING, HEX, STEEL, 0.375 IN 24 UNF	4	X	6HF223



NOTE: ITEMS 1 AND 27
NOT ILLUSTRATED

2B13

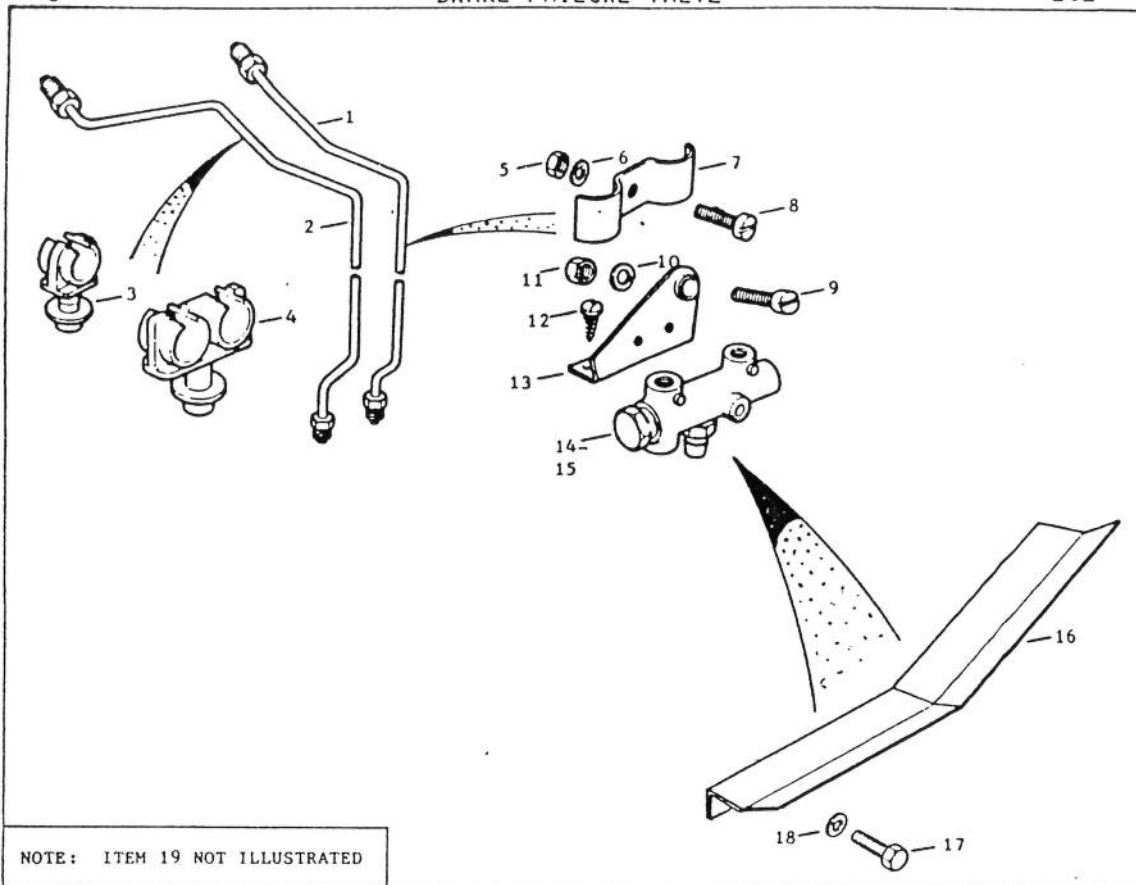
ILL NO	NSN	DESCRIPTION	QTY	R/L	NZMC
1	NOTPROVIDED	PEDAL ASSY, BRAKE <i>99-825-4476</i>	1		569652
2	2540 99 825 5845	PLUG, PLASTIC	1	X	8D44001
3	5305 99 137 9219	SCREW, TAPPING, THREAD FORMING, STEEL, ZINC PLTD, 0.164 IN 32 UNC, 0.375 IN LG	4	X	78905
4	5340 99 805 0918	CLAMP, LOOP	1	X	AEU1448
5	NOTPROVIDED	PLATE	1		592564
6	5330 99 824 2745	GASKET	1	X	90569612
7	5340 99 822 6375	BUSHING, PLASTICS NYLON	2	X	569609
8	2530 99 825 4474	SPRING PLATE	1	X	592567
9	5315 99 138 2212	PIN, COTTER, SPLIT, STEEL, PHOS FINISH, 5 MM DIA, 25 MM LG	1	X	PS612080
10	5315 99 944 0183	PIN, COTTER, SPLIT, STEEL, PHOS FINISH, 0.125 IN NOM DIA, 1.250 IN LG	1	X	PS608080
11	NOTPROVIDED	SWITCH, STOP LIGHT, REFER TO FRAME 2D12	1		575166
12	5340 99 824 2744	PLUG, SELF SEALING, POLYTHENE FRICTION TYPE	1	X	338029
13	NOTPROVIDED	BRACKET, BRAKE PEDAL	1		569601
14	5325 99 805 4918	GROMMET, BLANK, NON METALLIC	2	X	338027
15	5315 99 849 9637	PIN, GROOVED, HEADLESS, STEEL	1	X	50446
16	3120 99 819 1851	BEARING, SLEEVE, BRONZE, 0.625 IN ID, 0.875 IN OD, 0.750 IN LG, 1.250 IN FLANGE OD	2	X	564816
17	NOTPROVIDED	PEDAL LEVER, CONTROL, BRAKE	1		90569611
18	2540 99 824 2742	SHAFT, STRAIGHT	1	X	564813
19	5315 99 137 6357	PIN, STRAIGHT, HEADED	1	X	90564812
20	5310 99 971 2810	WASHER, FLAT, RD, STEEL, CAD PLTD, 0.437 IN ID, 0.875 IN OD, 0.048 IN THK	1	X	RTC611
21	5315 99 944 0177	PIN, COTTER, SPLIT, STEEL	1	X	2393
22	5360 99 824 2748	SPRING, HELICAL, EXTENSION	2	X	569291
23	2530 99 824 2743	JOINT, GASKET, RUBBER, BRAKE SERVO BOX	1	X	90564832
24	5310 99 941 8623	WASHER, FLAT, RD, CAD PLTD, 0.312 IN NOM BOLT SIZE, 0.625 IN OD, 0.072 IN THK	6	X	RTC610
25	5310 99 941 6655	WASHER, LOCK, SPLIT HELICAL RING, STEEL, 0.312 IN BOLT SIZE, 0.500 IN OD, 0.078 IN THK	6	X	GHF332
26	5305 99 941 0524	SCREW, MACHINE, HEX HD, S STEEL, ZINC PLTD, 0.312 IN 24 UNF, 0.625 IN LG	6	X	5H605051
27	2540 99 816 3303	PAD, PEDAL, RUBBER, C/W INTEGRAL CLIPS	1	X	GLR302



NOTE: ITEMS 2,3 AND 11 NOT ILLUSTRATED

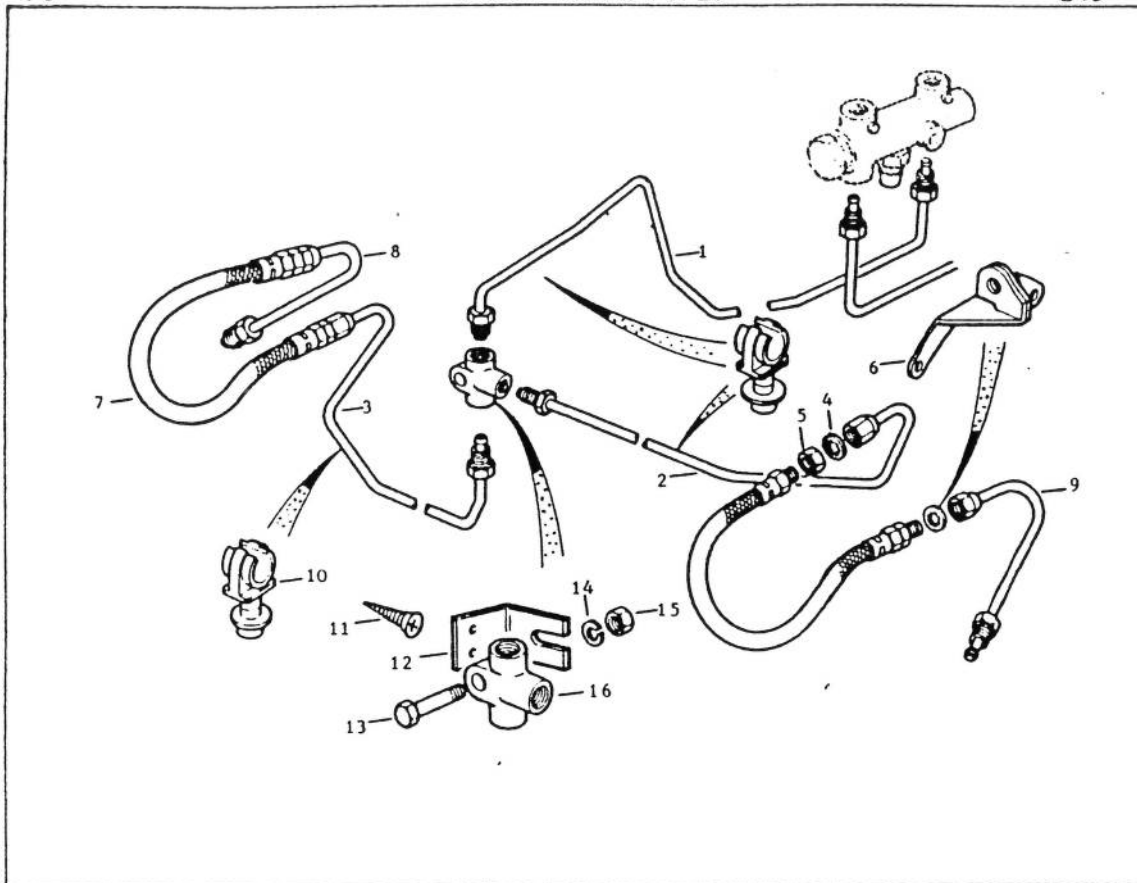
2C1

ILL NO	MSN	DESCRIPTION	QTY	R/L	NZMC
1	2530 99 838 2167	CYLINDER ASSY, BRAKE MASTER	1	X	QMC323
2	2530 98 856 3389	KIT, REPAIR, BRAKE MASTER CYLINDER	1	X	AEU1047
3	2530 99 760 4212	KIT, REPAIR, FLUID RESERVOIR	1	X	AEU1045
4	2530 99 822 5047	FILTER, FLUID RESERVOIR, NYLON/WIRE MESH	1	X	592324
5	5340 98 856 3387	CAP, FILLER, MASTER CYLINDER	1	X	AAU7965
6	4720 98 856 3420	HOSE, VACUUM SERVO TO MANIFOLD	1	X	CRC2131
7	2530 98 856 3388	KIT, VALVE, NON RETURN	1	X	AEU1046
8	5310 99 941 0925	NUT, PLAIN, HEX, STEEL, ZINC PLTD, 0.312 IN 24 UNF	4	X	GHF201
9	5310 99 941 6653	WASHER, LOCK, SPLIT HELICAL RING, STEEL, 0.312 IN BOLT SIZE, 0.500 IN OD, 0.078 IN THK	4	X	GHF332
10	2530 99 838 2168	SERVO CYLINDER, VACUUM	1	X	AEU1043
11	2530 99 828 4741	PARTS KIT, BRAKE SERVO UNIT	1	X	1868951
12	4730 99 824 2746	PLUG, PIPE, HEX SOCKET DRIVE, 0.125 IN 27 NPTF	1	X	90577611
13	5310 99 138 9228	WASHER, LOCK, SPLIT HELICAL RING, STEEL, ZINC PLTD, 10 MM NOM SIZE, 15.90 MM OD, 2.50 MM THK	2	X	NL10001
14	5310 99 122 5297	NUT, PLAIN, HEX, M STEEL, ZINC PLTD, ISO METRIC, 10 MM, 1.50 , , PITCH, GRADE 8	2	X	GHF214
15	NOTPROVIDED	ROLL PIN, BRAKE MASTER CYLINDER (USE ITEM 3)	2		AEU1044



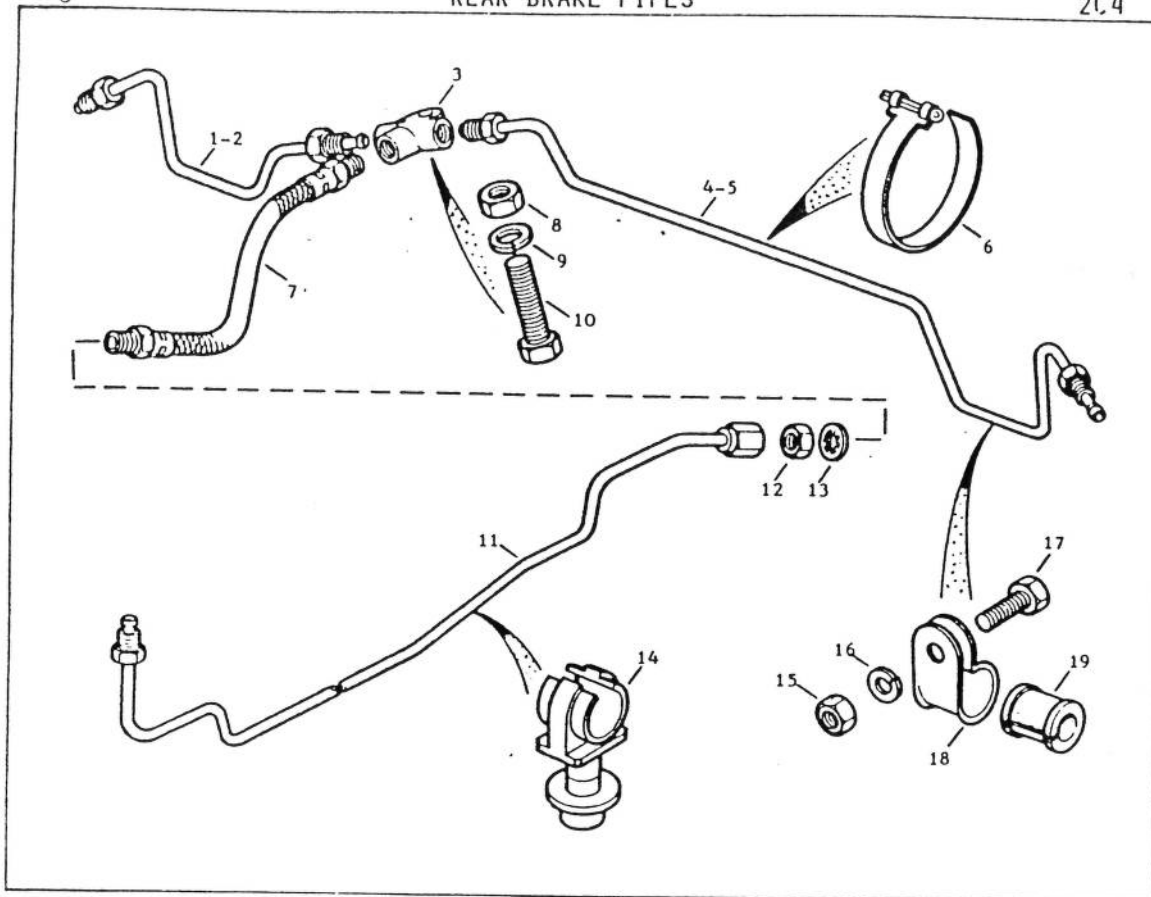
2C2

ILL NO	NSN	DESCRIPTION	QTY	R/L	NZMC
1	2530 98 856 3633	TUBE ASSY, METAL, MASTER CYLINDER TO SHUTTLE VALVE, REAR	1	X	NRC4268
2	2530 98 856 3634	TUBE ASSY, METAL, MASTER CYLINDER TO SHUTTLE VALVE, FAT	1	X	NRC4269
3	2530 99 830 2724	CLIP, BRAKE PIPE, SINGLE	1	X	CRC1250
4	5340 98 856 3386	CLIP, BRAKE PIPE, DOUBLE	1	X	AAU1803
5	5310 99 941 2419	NUT, PLAIN, HEX, STEEL, 0.190 IN 32 UNF	1	X	257023
6	5310 99 941 6653	WASHER, LOCK, SPLIT HELICAL RING, STEEL, 0.187 IN NOM BOLT SIZE, 0.330 IN OD, 0.064 IN THK	1	X	WM702001
7	5340 99 895 1865	STRAP, RETAINING, STEEL	1	X	243395
8	5305 99 914 7989	SCREW, MACHINE, PAN HD, SLOT DRIVE, STEEL, CRD PLTD, 0.190 IN 32 UNF, 0.500 IN LG	1	X	78929
9	5306 98 856 3408	BOLT, MACHINE, HEX HD, STEEL, ZINC PLTD, ISO METRIC, 6 MM, 1 MM PITCH, 50 MM LG	1	X	BH106101
10	5310 99 137 9232	WASHER, LOCK, SPLIT HELICAL RING, STEEL, ZINC PLTD, 6 MM NOM HOLE SIZE, 9.60 MM OD, 1.50 MM THK	1	X	WL106001
11	5310 99 122 5295	NUT, PLAIN, HEX, STEEL, ZINC PLTD, ISO METRIC, 6 MM, 1 MM PITCH, GRADE 8	1	X	GHF212
12	NOT PROVIDED	SCREW, TAPPING, THD FORMING, PAN HD, SLOT DRIVE, STEEL, CRD PLTD, NO 8, 0.375 IN LG	2		72626
13	NOT PROVIDED	BRACKET, VALVE MOUNTING	1		NRC4286
14	2530 99 823 6024	SHUTTLE VALVE (WSE USE ITEM 15)	1	X	NRC6880
15	5930 99 838 2192	SWITCH, PRESSURE	1	X	PRC2436
16	2540 98 856 3615	SHIELD, HEAT, SHUTTLE VALVE	1	X	NRC3396
17	5305 99 122 5322	SCREW, MACHINE, HEX HD, STEEL, ZINC PLTD, ISO METRIC, 5 MM, 0.80 MM PITCH, 10 MM LG	3	X	SH105101
18	5310 99 977 1102	WASHER, LOCK, SPLIT HELICAL RING, STEEL, ZINC PLTD, 5 MM BOLT SIZE	3	X	WL105001
19	5310 99 122 7703	NUT, PLAIN, BLIND RIVET, STEEL, ZINC PLTD, ISO METRIC, 5 MM, 0.80 MM PITCH	3	Y	NN105011



203

ILL NO	MSN	DESCRIPTION	QTY	R/L	NZMC
1	2530 98 856 0430	PIPE STEEL, PDA VALVE TO ADAPTOR	1	X	NRC4312
2	2530 98 856 0429	PIPE, STEEL, ADAPTOR TO LH BRAKE HOSE	1	X	NRC4314
3	2530 98 856 0428	PIPE, STEEL, ADAPTOR TO BRAKE HOSE, RH	1	X	NRC4313
4	5310 98 856 3706	WASHER, LOCK, FLAT, INTERNAL TEETH, STEEL, ZINC PLTD, 10 MM NOM ID	4	X	WF110001
5	5310 98 856 3418	NUT, PLAIN, HEX, ISO METRIC, 10 MM	4	X	CRC11487
6	NOTPROVIDED	BRACKET, BRAKE HOSE	2		577697
7	4720 99 838 2189	HOSE ASSY, RUBBER, FRONT, C/W END FITTINGS	2	X	G8H323
8	4710 98 856 3653	PIPE, STEEL	1	X	NRC4794
9	4710 98 856 3654	PIPE, STEEL	1	X	NRC4795
10	2530 99 830 2724	CLIP, BRAKE PIPE, SINGLE	6	X	CRC1250
11	NOTPROVIDED	SCREW, TAPPING, THD FORMING, PAN HD, SLOT DRIVE, STEEL, CAD PLTD, NO 8, 0.375 IN LG	2		72626
12	NOTPROVIDED	BRACKET, ADAPTOR NTB	1		NRC4072
13	5306 99 122 5245	BOLT, MACHINE, HEX HD, STEEL, ZINC PLTD, ISO METRIC, 6 MM 1 MM PITCH, 30 MM LG	1	X	BH106061
14	5310 99 137 9232	WASHER, LOCK, SPLIT HELICAL RING, STEEL, ZINC PLTD, 6 MM NOM HOLE SIZE, 9.60 MM OD, 1.50 MM THK	1	X	WL106001
15	5310 99 122 5295	NUT, PLAIN, HEX, STEEL, ZINC PLTD, ISO METRIC, 6 MM 1 MM PITCH, GRADE 8	1	X	GHF212
16	4730 99 838 2191	TEE, PIPE, BRASS	1	X	NRC4251



2CA

ILL NO	MSN	DESCRIPTION	QTY	R/L	NZMC
1	2530 99 829 7527	PIPE, STEEL, 4.76 MM OD, 560 MM LG, C/W NUT END FITTINGS, LH AND RH THDS	1	X	} NRC4279
2	4730 99 838 2183	PIPE, STEEL, 4.76 MM OD, 560 MM LG, C/W NUT END FITTINGS, LH AND RH THDS	1	X	
3	4730 99 838 2191	TEE, PIPE, BRASS	1	X	NRC4251
4	4710 99 829 1937	PIPE, STEEL, 4.76 MM OD, 990 MM LG (MSE USE ITEM 5)	1	X	} NRC4280
5	4730 99 838 2182	PIPE, STEEL, 4.76 MM OD, 990 MM LG	1	X	
6	4730 99 895 1696	CLIP	1	X	11920
7	4720 99 838 2190	HOSE ASSY, RUBBER, C/W END FITTINGS, REAR	1	X	GBH326
8	5310 99 122 5295	NUT, PLAIN, HEX, STEEL, ZINC PLTD, ISO METRIC, 6 MM, 1 MM PITCH, GRADE 8	1	X	GHF212
9	5310 99 137 9232	WASHER, LOCK, SPLIT HELICAL RING, STEEL, ZINC PLTD, 6 MM NOM HOLE SIZE, 9.60 MM OD, 1.50 MM THK	1	X	WL106001
10	5306 99 122 5245	BOLT, MACHINE, HEX HD, STEEL, ZINC PLTD, ISO METRIC, 6 MM, 1 MM PITCH, 30 MM LG	1	X	BH106061
11	2530 98 856 0431	PIPE, STEEL, PVDA VALVE TO REAR HOSE	1	X	NRC4278
12	5310 98 856 3419	NUT, PLAIN, HEX, ISO METRIC, 10 MM	1	X	CRC1487
13	5310 98 856 3706	WASHER, LOCK, FLAT, INTERNAL TEETH, 10 MM NOM ID	1	X	NF110001
14	2530 99 830 2724	CLIP, BRAKE PIPE, SINGLE	7	X	CRC1250
15	5310 99 941 7070	NUT, PLAIN, HEX, CAD PLTD, NO 2 BR	4	X	RTC608
16	5310 99 941 6653	WASHER, LOCK, SPLIT HELICAL RING, STEEL, 0.187 IN NOM BOLT SIZE, 0.330 IN OD, 0.064 IN THK	4	X	NM702001
17	5305 99 947 3250	SCREW, MACHINE, STEEL, HEX HD, CAD PLTD, NO 2 BR, 0.500 IN LG	4	X	234603
18	5340 99 805 0919	CLAMP, LOOP, STEEL, ZINC PLTD, 0.500 IN ID	4	X	56666
19	5325 99 849 9408	GROMMET, RUBBER, REAR AXLE BRAKE PIPE	4	X	6860