



MASTER INDEX

	PAGES	GROUP N	
INTRODUCTION PAGES	1 - 7		
ALPHABETICAL INDEX	8 - 16		
ENGINE	17 - 66		
ENGINE	67 - 119		
ENGINE	120 - 166		
ENGINE	167 - 209		
ENGINE	210 - 245		
ENGINE	246 - 299		
GEARBOX	300 - 326		
GEARBOX	327 - 344		
GEARBOX	345 - 359		
TRANSFER BOX	360 - 378		
TRANSFER BOX	379 - 397		
AXLES AND SUSPENSION	398 - 444		
STEERING	445 - 471		
VEHICLE AND ENGINE CONTROLS	472 - 486		
BRAKES	487 - 517		
FUEL SYSTEM AND AIR CLEANER	518 - 579		
EXHAUST SYSTEM	580 - 593		
COOLING/HEATING	594 - 637		
COOLING/HEATING	638 - 641		
COOLING/HEATING	642 - 649		
COOLING/HEATING	650 - 655		
COOLING/HEATING	656 - 666		
BODY ELECTRICAL	667 - 740		
BODY AND CHASSIS	741 - 909		
INTERIOR TRIM	910 - 955		
SEATS	956 - 1036		
STOWAGE	1037 - 1046		
ACCESSORIES - PAINTS	1047 - 1074		
NUMERICAL INDEX	1076 - 1151		
		BODY AND CHASSIS	
		BODY AND CHASSIS	
		CHASSIS FRAME	743 - 745
		CHASSIS FITTINGS	746
		FRONT BUMPER & BUMPERETTES	747
		REAR BUMPERETTES AND LIFTING RINGS	748
		RECOVERY RING AND LIFTING HANDLE	749
		DASH ASSEMBLY	750 - 751
		DASH VENTILATOR - NON AIR CON	752
		DASH VENTILATOR - AIR CON	753
		DIAPHRAGM AND TUNNEL PANELS	754 - 755
		FLOOR PLATES	756 - 757
		SEAT BASE	758 - 759
		SEATBASE FITTINGS	760 - 762
		SILL PANELS - EXCEPT STATION WAGON	763 - 765
		SILL PANELS - STATION WAGON	766 - 768
		RADIATOR GRILLE	769 - 770
		HAND/CHAFF GUARD	771
		RADIATOR BAFFLE PLATE	772
		GRILLE TOP PANEL AND BRACES	773
		BONNET RELEASE	774
		BONNET	775
		BONNET PROPS	776
		FRONT WINGS	777 - 781
		FRONT WINGS - WHEELARCH AND EYEBROW	782 - 785
		WINDSCREEN	786 - 787
		FRONT DOOR CLINCHED ASSEMBLY	788
		FRONT DOOR - HINGES AND DOOR CHECK	789 - 790
		FRONT DOOR - SEALS	791
		REAR SIDE DOOR CLINCHED ASSEMBLY	792
		REAR SIDE DOOR - HINGES AND DOORCHECK	793 - 794
		REAR SIDE DOOR - FRAME AND SEALS	795
		REAR END DOOR	796 - 798
		REAR END DOOR CHECK MECHANISM	799 - 800
		SEALS - REAR END DOOR	801
		FRONT DOOR - GLASS & WINDOW REGULATOR	802 - 803
		REAR SIDE DOOR - GLASS & REGULATOR	804 - 806
		FRONT DOOR - LOCK MECHANISM	807 - 809
		REAR SIDE DOOR - LOCK MECHANISM	810 - 812
		REAR END DOOR - LOCKING MECHANISM	813 - 814





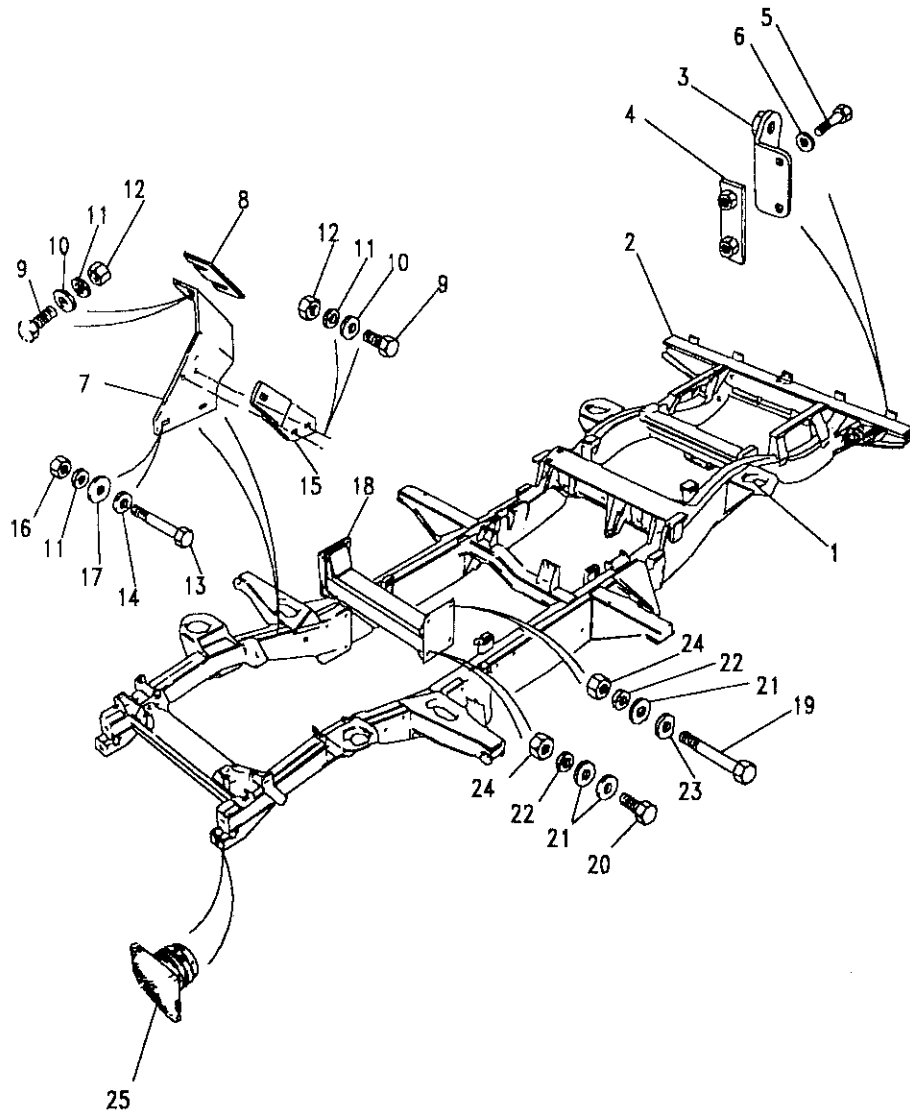
DEFENDER 110 1987 onwards

742

BODY AND CHASSIS

BARREL LOCK AND KEYS	815
TAILBOARD - LOWER HINGED	816
TAILBOARD - SIDE HINGED	817 - 820
TAILGATE - HIGH CAPACITY PICK UP	821 - 822
CAB BASE ASSEMBLY	823 - 824
CAB REAR PANEL	825 - 827
REAR BODY LOWER - NON STATION WAGON	828 - 835
REAR BODY LOWER - STATION WAGON	836 - 843
REAR BODY LOWER - HIGH CAPACITY PICK UP	844 - 854
REAR BODY UPPER - HARD TOP	855 - 859
REAR BODY UPPER - STATION WAGON	860 - 866
ROOF - HARD TOP AND STATION WAGON	867 - 869
ROOF - TRUCK CAB	870 - 871
SUNROOF	872 - 873
REAR EYEBROWS	874 - 875
REAR LAMPS PROTECTION	876
STIRRUP STEP - SIDE DOORS	877
FOLDING STEP - SIDE DOORS - NOT GERMANY	878 - 879
FOLDING STEP - REAR END DOOR	880
DECALS - UP TO 1991 MODEL YEAR	881
DECALS - FROM 1991 MODEL YEAR	882 - 883
BODYTAPES	884 - 889
MIRRORS - INTERIOR AND EXTERIOR	890
SPARE WHEEL CARRIER - BONNET	891
SPARE WHEEL CARRIER - REAR END DOOR	892
HOOD - FULL LENGTH	893 - 894
HOOD - THREE QUARTER LENGTH - CAB FIXING	895 - 896
HOOD - THREE QUARTER LENGTH - BULKHEAD FIXING	897
HOOD - HIGH CAPACITY PICK UP	898 - 899
DRAIN CHANNELS - FULL LENGTH HOOD	900 - 901
HOODSTICKS - FULL LENGTH HOOD	902
HOODSTICKS - 3/4 HOOD - CAB FIXING	903 - 904
HOODSTICKS - 3/4 HOOD - BULKHEAD FIXING	905 - 906
HOODSTICKS - HIGH CAPACITY PICK UP	907
LADDER RACK - HIGH CAPACITY PICK UP	908
ROLL OVER BAR - HIGH CAPACITY PICK UP	909

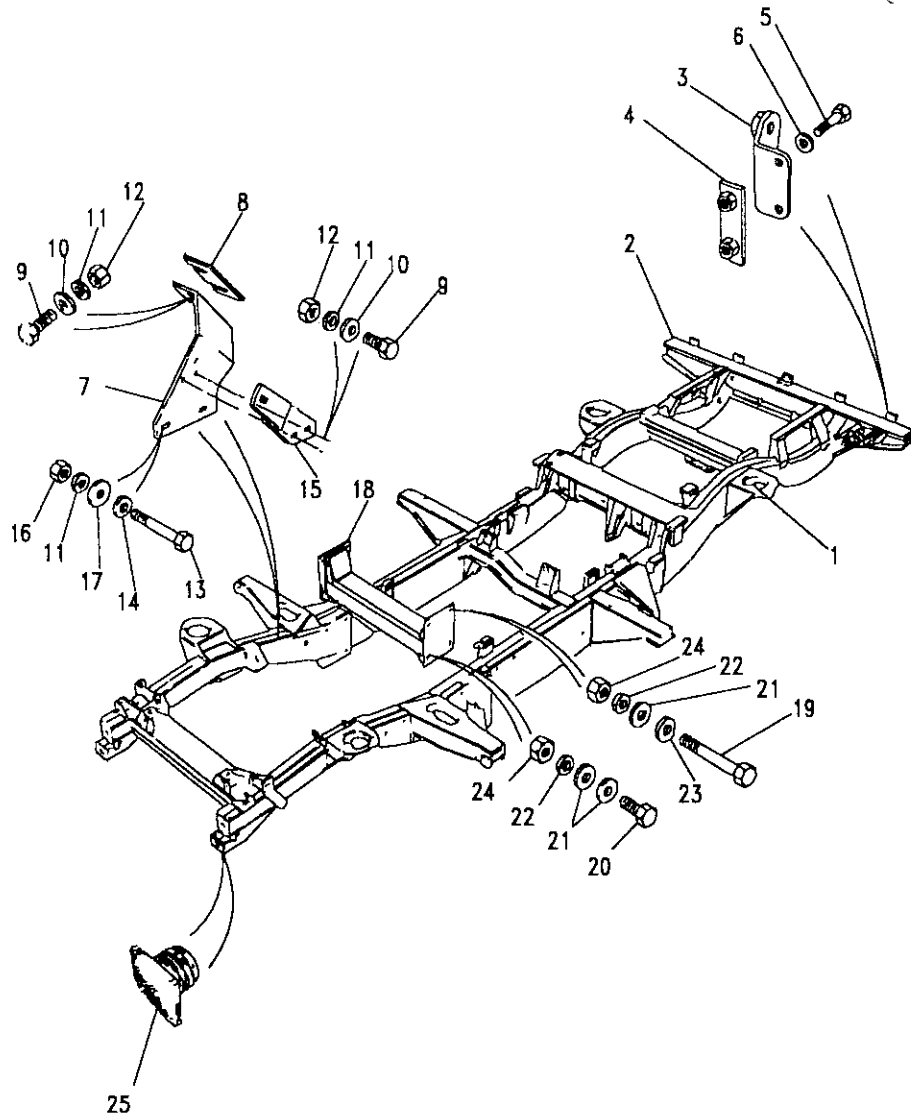




Model DEFENDER 110 1987 onwards
Page AFNXAA1A

CHASSIS - CHASSIS FRAME

III. Part No.	Description	Qty	Remarks
Defender 110 - 4 Cylinder			
1	NTC7843	1	Chassis frame
	NTC9481	1	Chassis frame
2	ANR2054	1	Crossmember rear
Defender 110 - V8			
1	NTC7844	1	Chassis frame
	NTC9485	1	Chassis frame
2	ANR2054	1	Crossmember rear
Defender 110 - 300 TDI only			
1	NTC9493	1	Chassis frame
2	ANR2054	1	Crossmember rear
Defender 130 - 4 Cylinder - Chassis Cab			
1	ANR2326	1	Chassis frame
	NTC9502	1	Chassis frame
2	ANR2056	1	Crossmember rear
Defender 130 - 4 Cylinder - Crew Cab			
1	RRC6874	1	Chassis frame
	ANR2327	1	Chassis frame
	NTC9366	1	Chassis frame
2	ANR2056	1	Crossmember rear



Model DEFENDER 110 1987 onwards
Page AFNXAA1A

CHASSIS - CHASSIS FRAME

Ill. Part No.	Description	Qty	Remarks
Defender 130 - V8 - Chassis Cab			
1	NTC9500 Chassis frame	1	
2	ANR2056 Crossmember rear	1	
Defender 130 - V8 - Crew Cab			
1	NTC9501 Chassis frame	1	
2	ANR2056 Crossmember rear	1	
	RTC3354 Kit crossmember fitting	1	
All variants			
	STC8354 Outrigger front RH	1	
	STC8355 Outrigger front LH	1	
	STC8356 Outrigger rear	2	
3	NRC9749 Bracket support tailboard	2	
4	MRC5757 Nut plate	2	
5	FS108207L Screw	4	
6	WC108051L Washer plain	4	
7	NRC7436 Support RH toebox	1	
	NRC7435 Support LH toebox	1	
8	NRC7131 Packing piece	6	
9	AFU1499 Screw	4	
10	WA108051L Washer plain	16	
11	WL108001L Washer spring	8	
12	FN108041L Nut	8	
13	BH108201L Bolt	4	
14	WC108051L Washer plain	4	
15	NRC7164 Plate bridge LH	1	
	NRC7165 Plate bridge RH	1	
16	FN108041L Nut	4	
17	3898 Washer plain	4	



Model DEFENDER 110 1987 onwards

Page AFNXAA1A

CHASSIS - CHASSIS FRAME

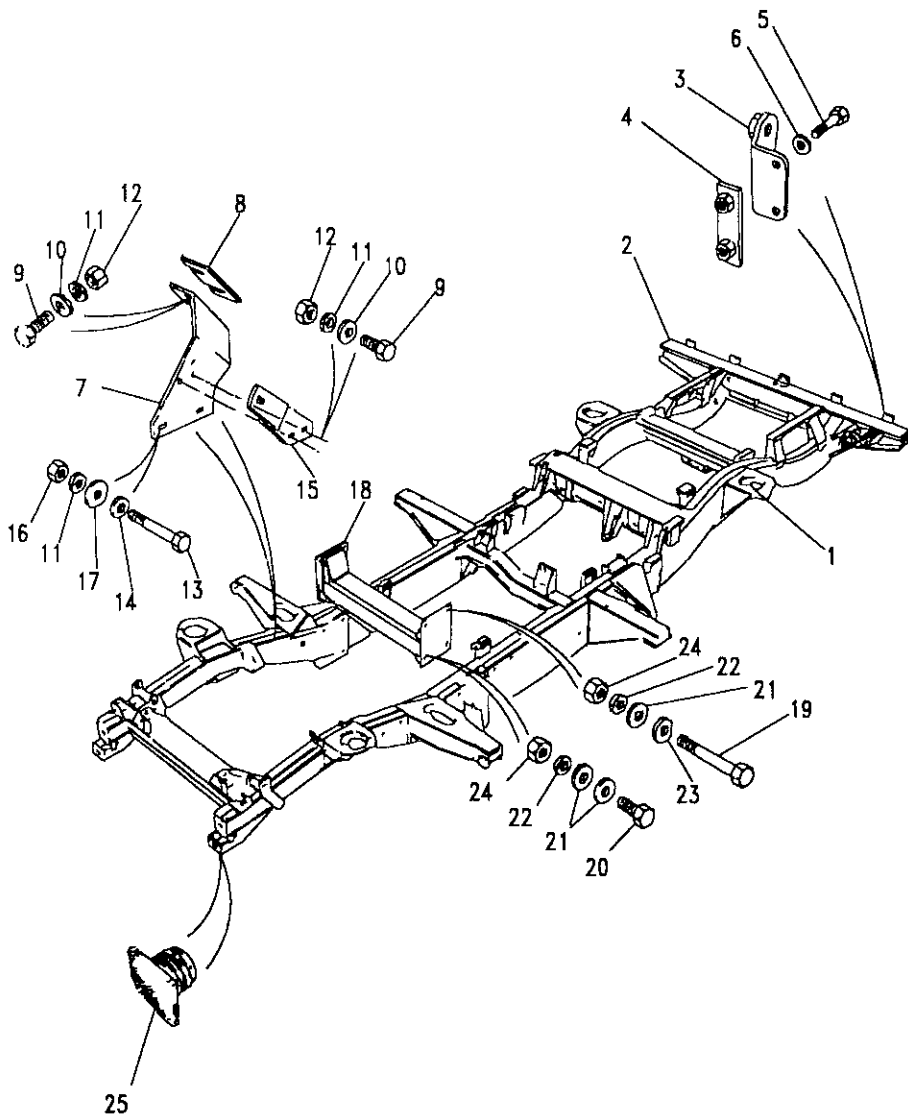
III. Part No. Description Qty Remarks

Square type

18 NRC7768 Crossmember detachable 1

Tubular type

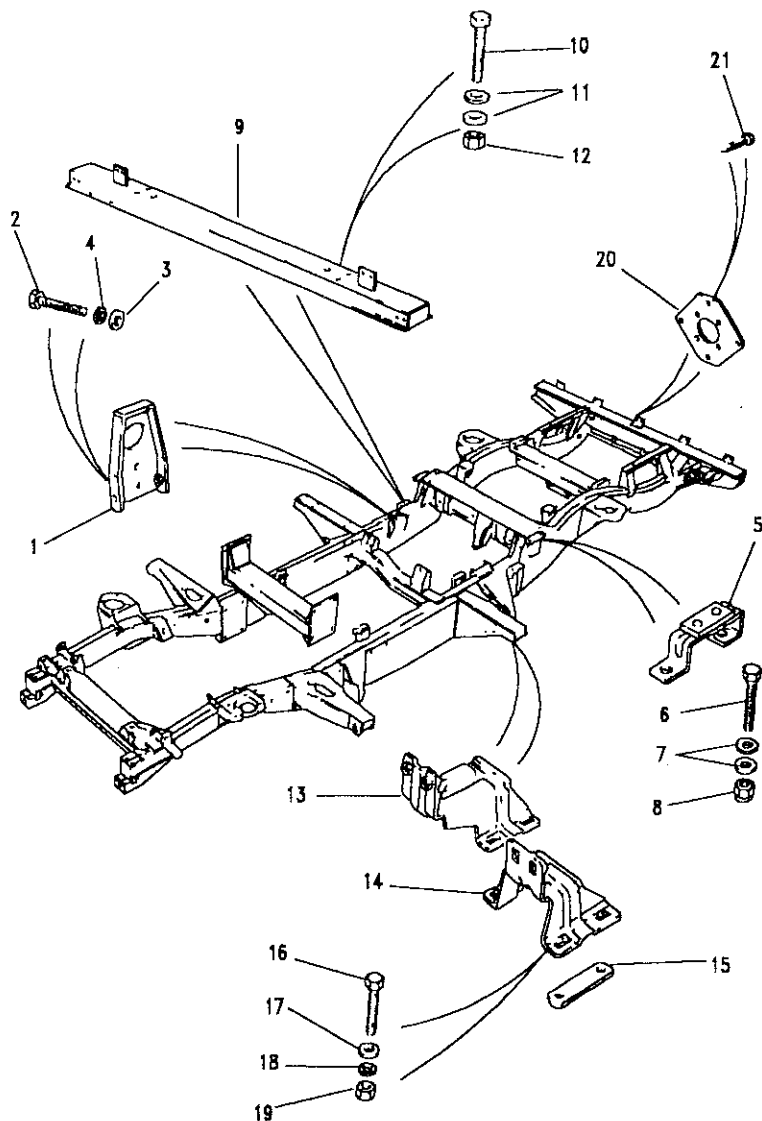
NTC1963	Crossmember detachable	1	Up to HA906308
NTC9262	Crossmember detachable	1	From HA906309
19 BH110201L	Bolt	4	
20 SH110251L	Screw	4	
21 WC110061L	Washer plain	12	
22 WL110001L	Washer spring	8	
23 NRC5485	Washer	4	
24 NH110041L	Nut	8	
25 NRC6935	Plug jacking bracket	2	



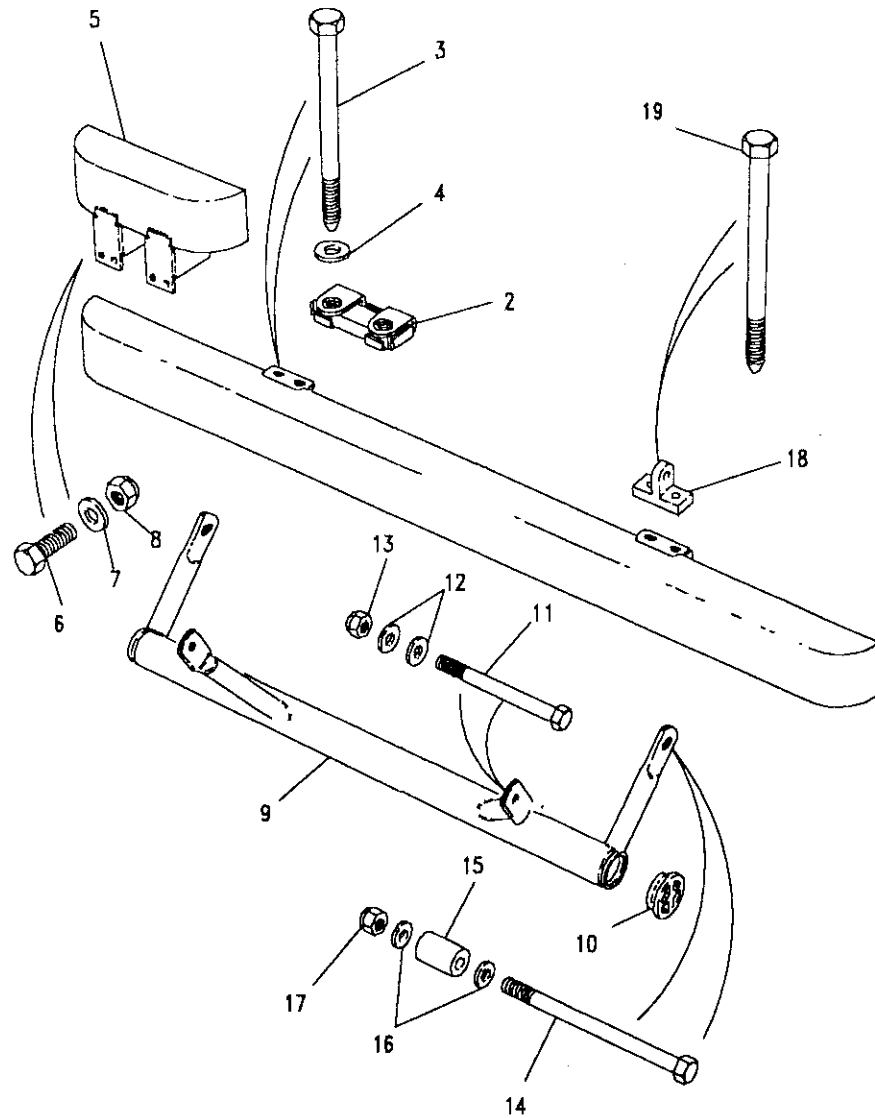
Model DEFENDER 110 1987 onwards

Page AFNXAA2A

CHASSIS - CHASSIS FITTINGS



III. Part No.	Description	Qty	Remarks
1	NRC4661	2	Pick up
2	SH106201	6	
3	WA106041L	6	
4	WL106001	6	
5	NRC5478	2	Pick up
6	FS108251L	4	
7	WA108051L	4	
8	NY108041L	4	
9	NRC4171	1	Station wagon
10	SH108701	4	
11	WA108051L	8	
12	NY108041L	4	
13	NRC7053	4	Pick up
14	NRC5665	4	Station wagon
	NRC7053	2	Chassis cab
	NRC6951	2	Chassis cab
15	NRC4693	8	
16	SH106201	16	
17	WC106041L	16	
18	WL106041	16	
19	NH106041L	16	
20	NRC4966	1	
21	SL106121	4	



Model DEFENDER 110 1987 onwards
Page AFNXAC1A

CHASSIS - FRONT BUMPER & BUMPERETTES

III. Part No.	Description	Qty	Remarks
1	NRC9211	1	Upto 314291
	NTC4657	1	From 314292
2	NRC6994	2	
3	AFU1386	4	Upto 341314
	NTC5401	4	From 341315
4	WA110061L	4	
5	NRC4733	2	Option
6	SH110251L	16	
7	WA110061L	16	
8	NY110041L	16	
9	NRC7009	1	Option
10	NRC5886	2	
	BH110241L	2	
12	WA110061L	4	
13	NY110041L	2	
14	253952	2	
15	NRC5627	1	
16	WC112081	2	
	2222	2	
17	252164	2	
18	559882	2	Option
19	AFU1387	4	Upto 341314
	NTC5401	4	From 341315
Germany			
	NRC7571	4	Cover bumper protection
	NRC7439	2	Pad bumper protection
	78248	8	Rivet

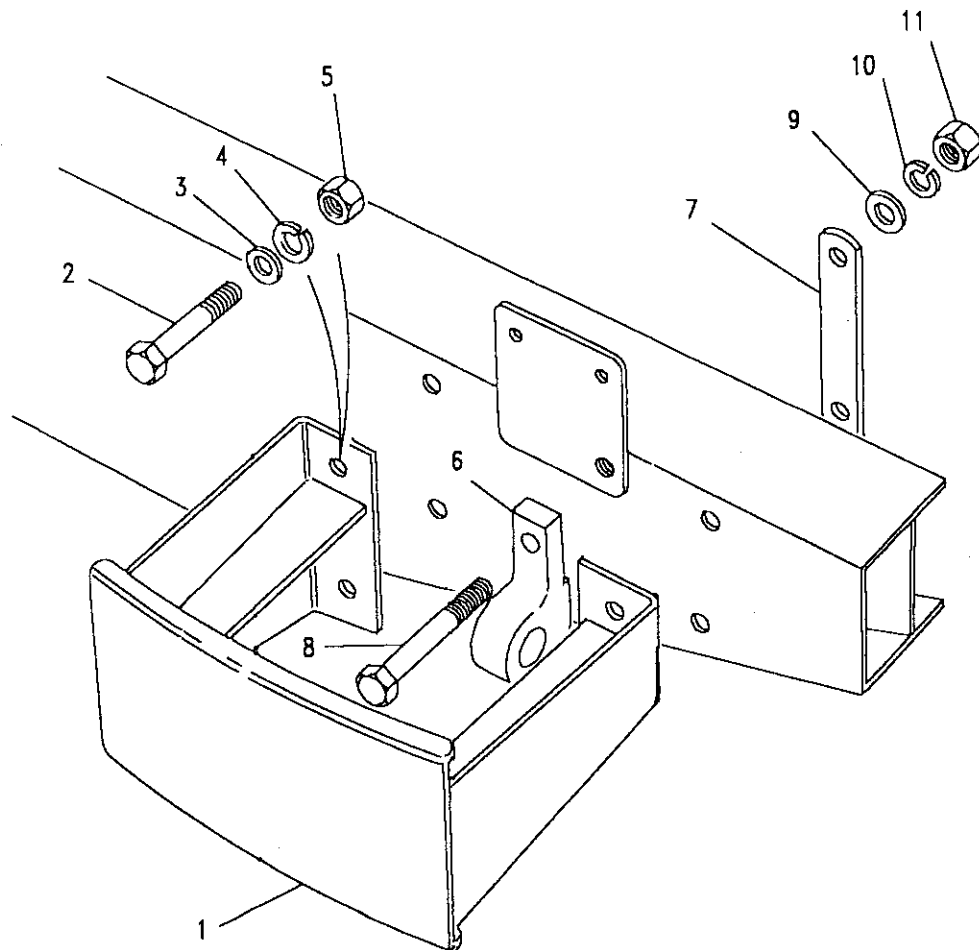


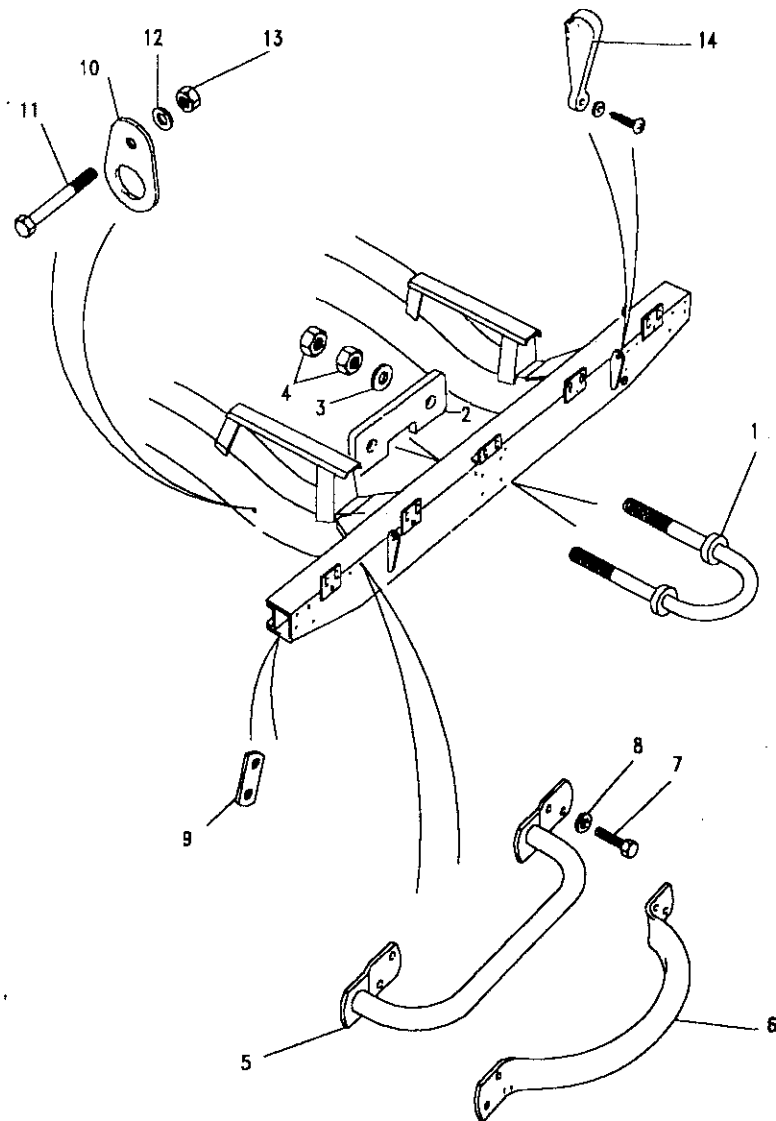


Model DEFENDER 110 1987 onwards
Page AFNXAE1A

CHASSIS - REAR BUMPERETTES AND LIFTING RINGS

Ill. Part No.	Description	Qty	Remarks
1	RRC2970	1	Bumperette RH
	RRC2971	1	Bumperette LH
2	FB110141L	8	Bolt
3	WA110061L	8	Washer plain
4	WL110001L	8	Washer spring
5	NY110041L	8	Nut
6	NRC4853	2	Ring lifting
7	NRC4854	2	Plate backing
8	BH110181L	4	Bolt
9	WA110061L	4	Washer plain
10	WL110001L	4	Washer spring
11	NY110041L	4	Nut





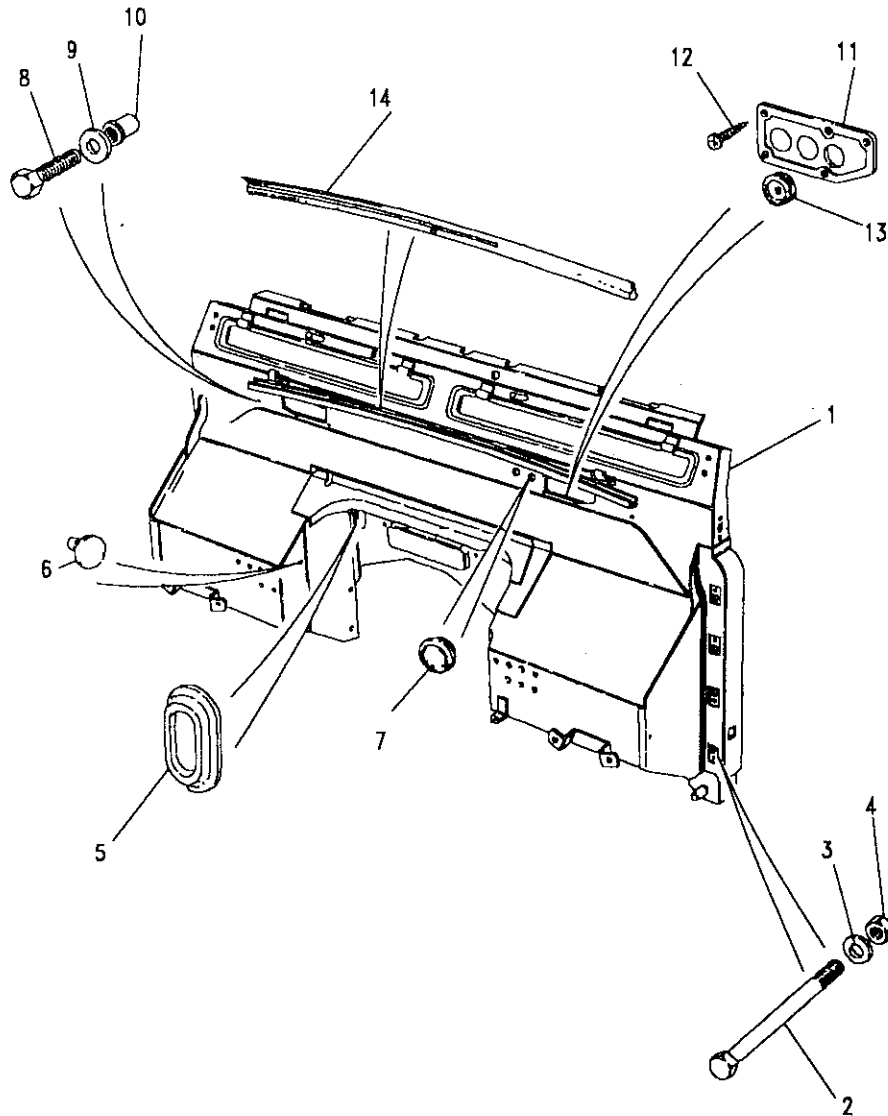
Model DEFENDER 110 1987 onwards

Page AFNXAG1A

CHASSIS - RECOVERY RING AND LIFTING HANDLE

III. Part No.	Description	Qty	Remarks
1	NRC5396	1	Ring recovery
2	562756	1	Distance Piece
3	4233	2	Washer
4	NH116041L	4	Nut
5	300816	2	Handle lifting
6	NRC5606	1	Handle lifting RH
	NRC5607	1	Handle lifting LH
	NTC5116	2	Handle lifting-black
7	SH108161L	8	Screw
	SE108161L	8	Screw
8	WA108051L	8	Washer plain
9	NRC5804	4	Nut plate
10	90577509	4	Ring recovery/lashing
11	BH110241L	2	Bolt (front)
	BH110221L	2	Bolt (rear)
12	217245	4	Washer plain
13	NY110041L	4	Nut nyloc
14	NRC7425	2	Cover tailboard hinge

Note(1) Up to 314291
 Note(2) From 314292



Model DEFENDER 110 1987 onwards

Page AFNXCC1A

BODY - DASH ASSEMBLY

III. Part No.

Description

Qty Remarks

Non Air con

1	ALR6374	Dash assembly RHS	1)Up to
	ALR6375	Dash assembly LHS	1)LA939975
	ALR2136	Dash assembly RHD	1)From
	ALR2138	Dash assembly LHD	1)MA939976

With Air Con

	MXC9012	Dash assembly RHS	1)Up to
	MXC9013	Dash assembly LHS	1)MA939975
	ALR5118	Dash assembly LHD	1)From
	ALR5117	Dash assembly RHD	1)MA939976

Germany Only

	MXC9015	Dash assembly LHS	1	Germany
--	---------	-------------------	---	---------

All variants

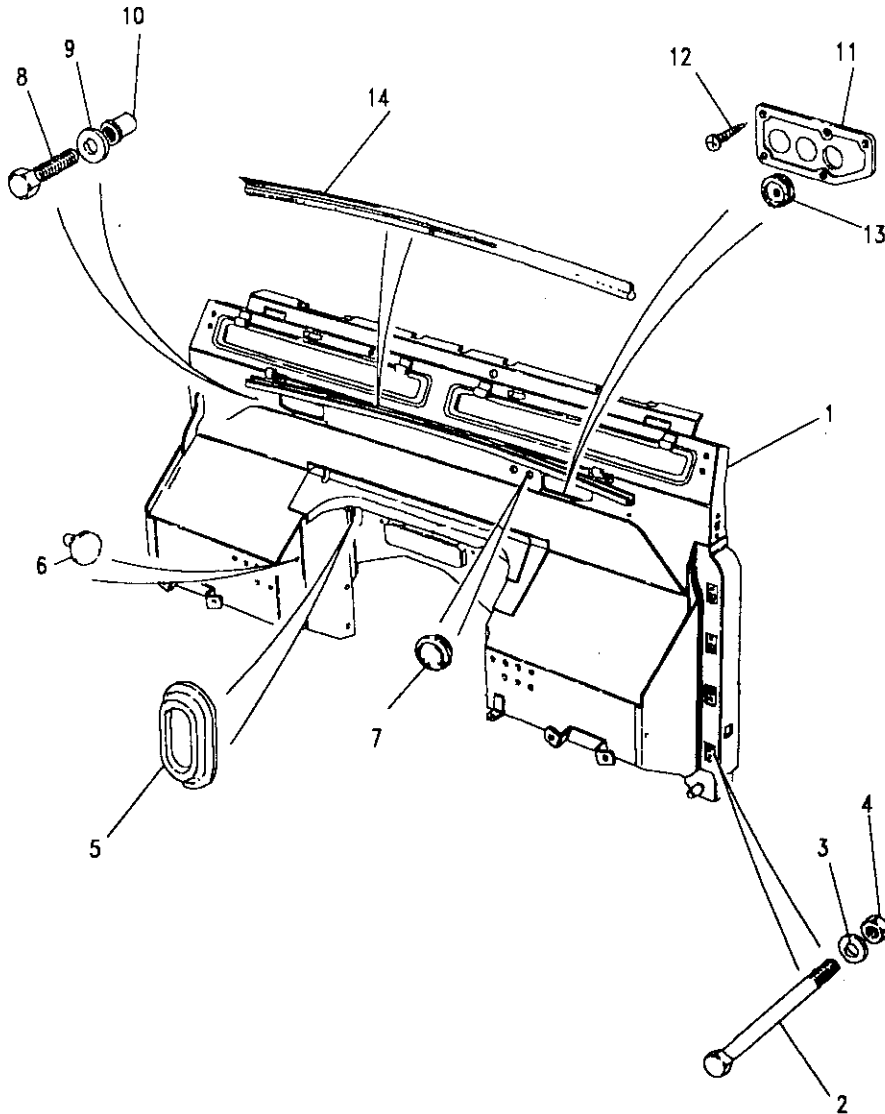
2	MRC9420	Bolt tie	2	M12x180mm
3	WA112081L	Washer plain	8	
4	NH112041L	Nut	2	
5	MTC1650	Plug	2	
6	338015	Plug	1	Toe box
7	332647	Buffer bonnet	2	
8	SX108251	Bolt	4	Steering support
9	WA108051L	Washer plain	10	
10	ATU1005L	Supersert	2)Alternatives
	NN108021	Nutsert	2)
11	PRC1333	Plate grommet bulkhead	1	Upto LA932798
	AMR3098	Plate grommet bulkhead	1	From LA932799 00/



Model DEFENDER 110 1987 onwards
Page AFNXCC1A

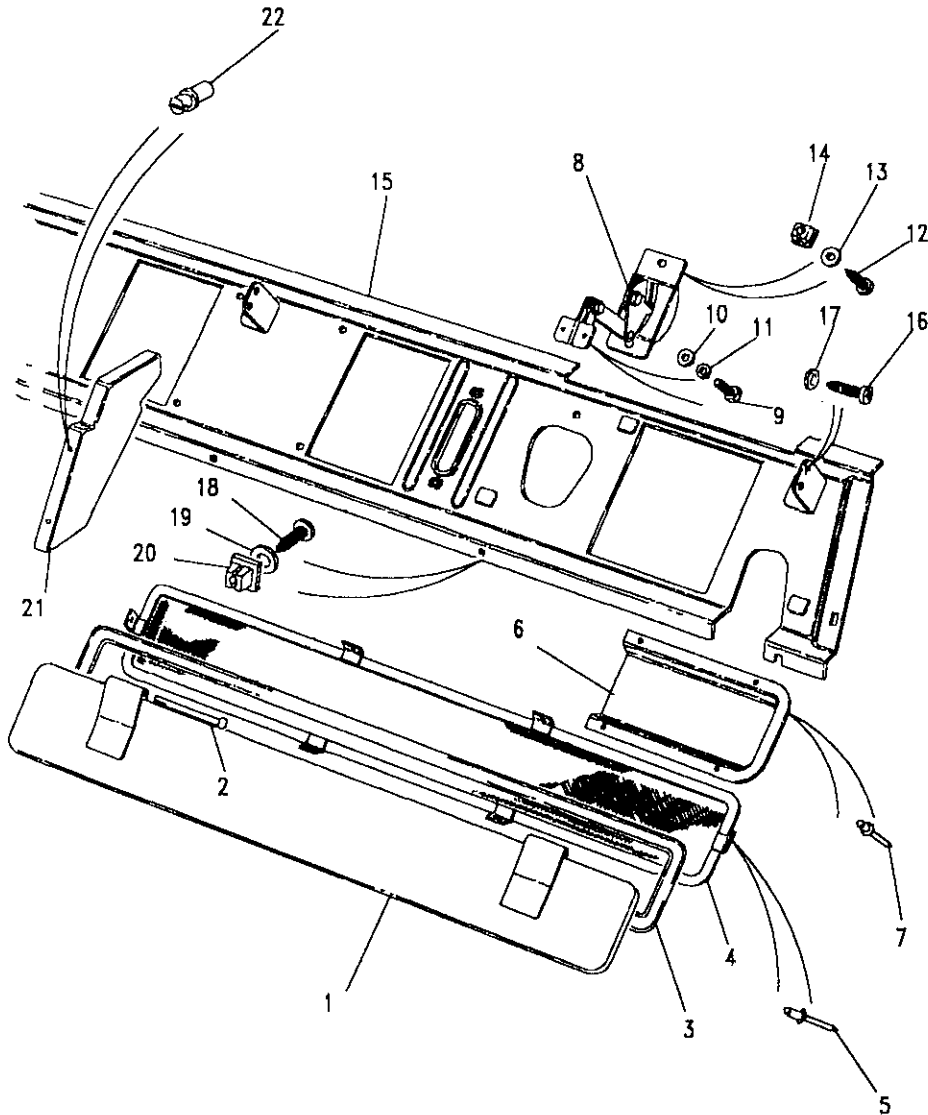
BODY - DASH ASSEMBLY

III. Part No.	Description	Qty	Remarks
12	AB610051L Screw	8	
13	BD155888 338023 Plug sealing	1	Upto LA932798
	338023 Plug sealing	2	Upto LA932798
14	MWC2567 MUC6905 Seal	1	
	MUC6905 Plate	1	
	RU608123L Rivet	3	
	MWC2309 Plug blanking	2	
	RTC5519 Plug blanking	2	



Model DEFENDER 110 1987 onwards
 Page AFNXCC2A

BODY - DASH VENTILATOR - NON AIR CON



III. Part No. Description Qty Remarks

Not applicable to Germany - Note(1)

Part No.	Description	Qty	Remarks
1	ALR1618	1	Lid ventilator RH
	ALR1619	1	Lid ventilator LH
2	334121	4	Hinge pin
3	MUC4299	2	Sealing rubber
	ALR2220	2	Sealing rubber
4	395185	2	Flyscreen
5	RA610123	12	Rivet
6	MTC2799	1	Panel splash
7	RA610123	4	Rivet
8	346576	2	Control ventilator
9	SH105121L	4	Screw
10	WC105001L	4	Washer plain
11	WL105001L	4	Washer spring
12	AB608047L	4	Screw
13	AFU1257	4	Washer plain
14	RTC3745	4	Nut lokut
15	MXC8574	1	Front Plate RHS
	MXC8573	1	Front Plate LHS
16	AB608047L	6	Screw
17	WA105001L	6	Washer plain
18	AB608054L	5	Screw
19	WA104004L	5	Washer plain
20	RTC3745	5	Nut lokut
21	346941	1	Panel air flow divider
22	79106	2	Rivet

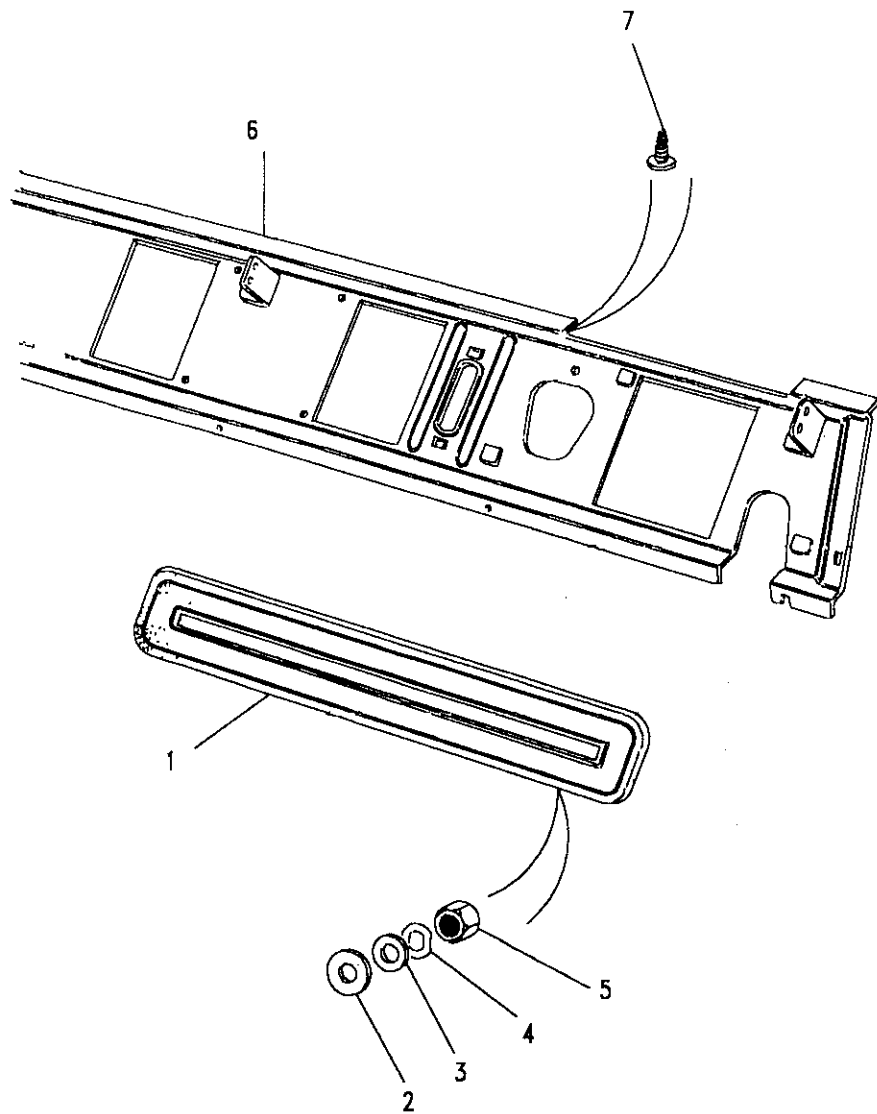
Note(1) Germany - see page 753



DEFENDER 110 1987 onwards

753

BODY AND CHASSIS



Model DEFENDER 110 1987 onwards
Page AFNXCC3A

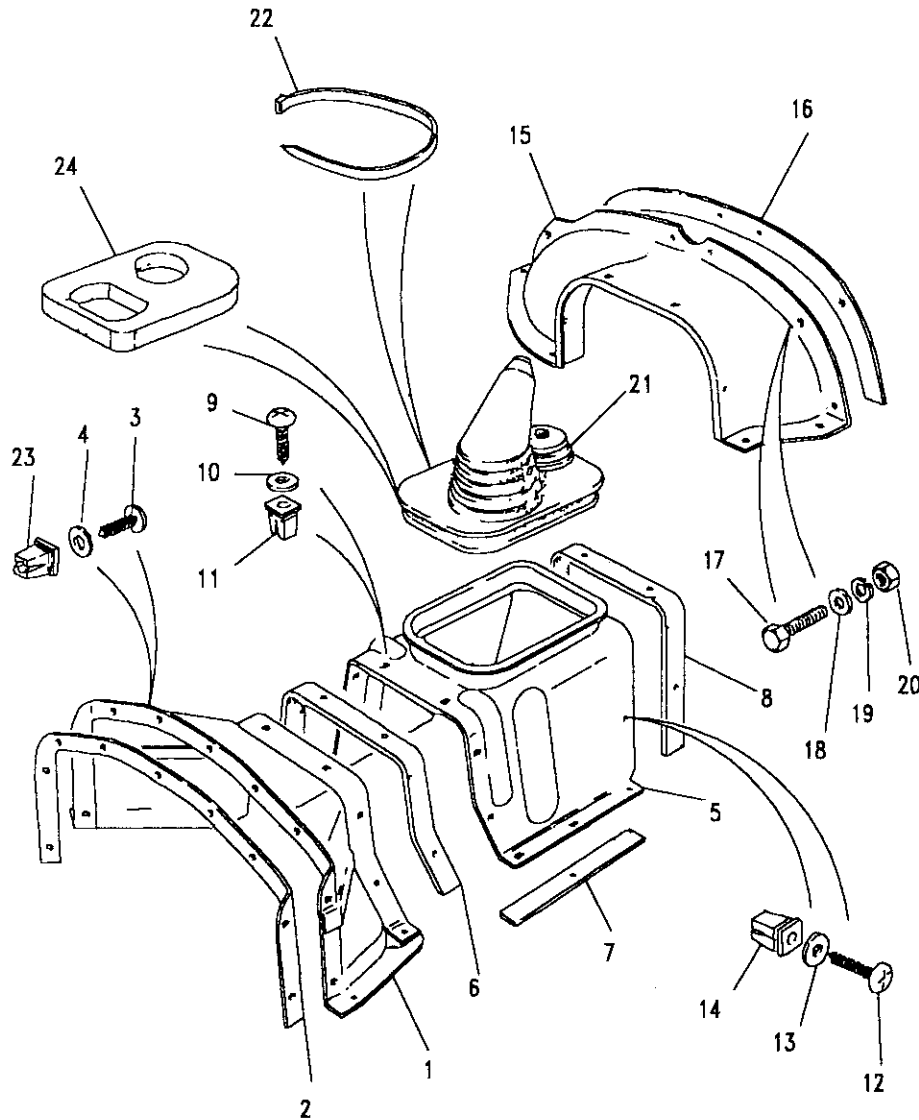
BODY - DASH VENTILATOR - AIR CON

Ill. Part No.	Description	Qty	Remarks
1	MTC6109	2	Finisher dash ventilator
2	MTC6015	6	Washer sealing
3	WA104001L	6	Washer plain
4	WW104001	6	Washer wave
5	NH104041L	6	Nut
6	MUC3498	1	Front plate RHS
	MXC8575	1	Front plate LHS
Fixing - Front plate to crash rail			
7	AFU2636	2	Screw LHS



Model DEFENDER 110 1987 onwards
Page AFNXCE1A

BODY - DIAPHRAGM AND TUNNEL PANELS



III. Part No.	Description	Qty	Remarks
1	MTC2252	1	4 cylinder
	RTC6826	1	
2	MRC8626	1	
3	AB614061L	9	
4	MRC5527	9	
4 Cylinder			
5	MTC4095	1	
V8 LT85			
	MUC4319	1	
V8 LT85/R380			
	ALR1757	1	Up to MA943800
	ALR7005	1	From MA943801
6	MTC6798	1	4 cylinder
	MUC1237	1	V8
7	MTC6798	2	4 cylinder
	MUC1237	2	V8
8	MTC6798	1	4 cylinder
	MUC1237	1	V8
9	AB614061L	6	4 cylinder
10	MRC5527	6	4 cylinder



Model DEFENDER 110 1987 onwards
Page AFNXCE1A

BODY - DIAPHRAGM AND TUNNEL PANELS

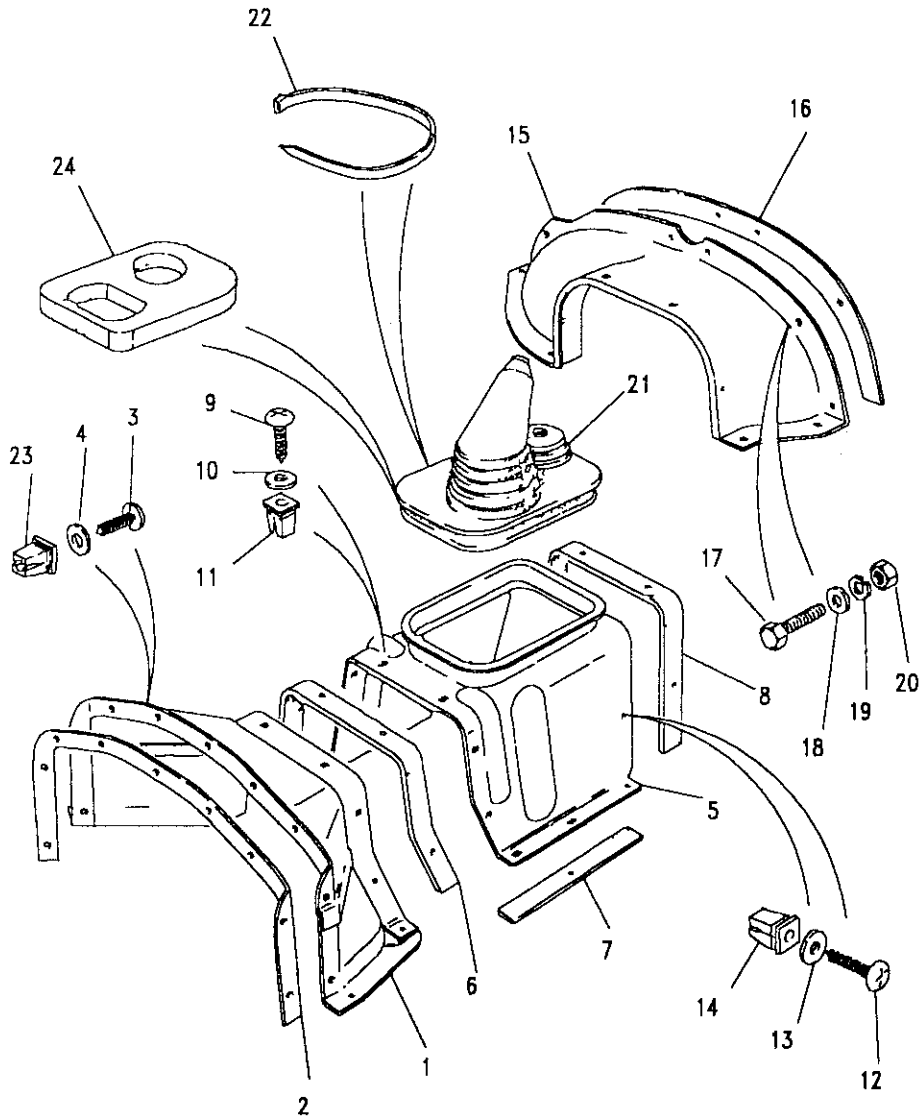
III. Part No.	Description	Qty	Remarks
11	RTC3744	6	4 cylinder
	AB614061L	4	V8
	MRC5527	4	V8
	RTC3744	4	V8
12	AB614061L	6	4 cylinder
13	MRC5527	6	4 cylinder
14	RTC3744	6	4 cylinder
15	MRC7411	1	V8
16	MRC8626	1	V8

Fixings - Cover to heelboard - V8

17	FS106201L	2	
18	WA106041L	4	
19	WL106001L	2	
20	NH106041L	2	
	FS108207L	1	RHD
	WL108001L	1	RHD
	FN108041L	1	RHD
	FS108207L	2	LHD
	WL108001L	2	LHD
	FN108041L	2	LHD

Gaiter gear lever/transfer lever

21	BTR1698	1	
22	AFU4173	1	
23	RTC3744	9	
24	MTC6872	1	4 Cylinder
	MUC4027	1	V8



Model DEFENDER 110 1987 onwards
Page AFNXCG1A

BODY - FLOOR PLATES

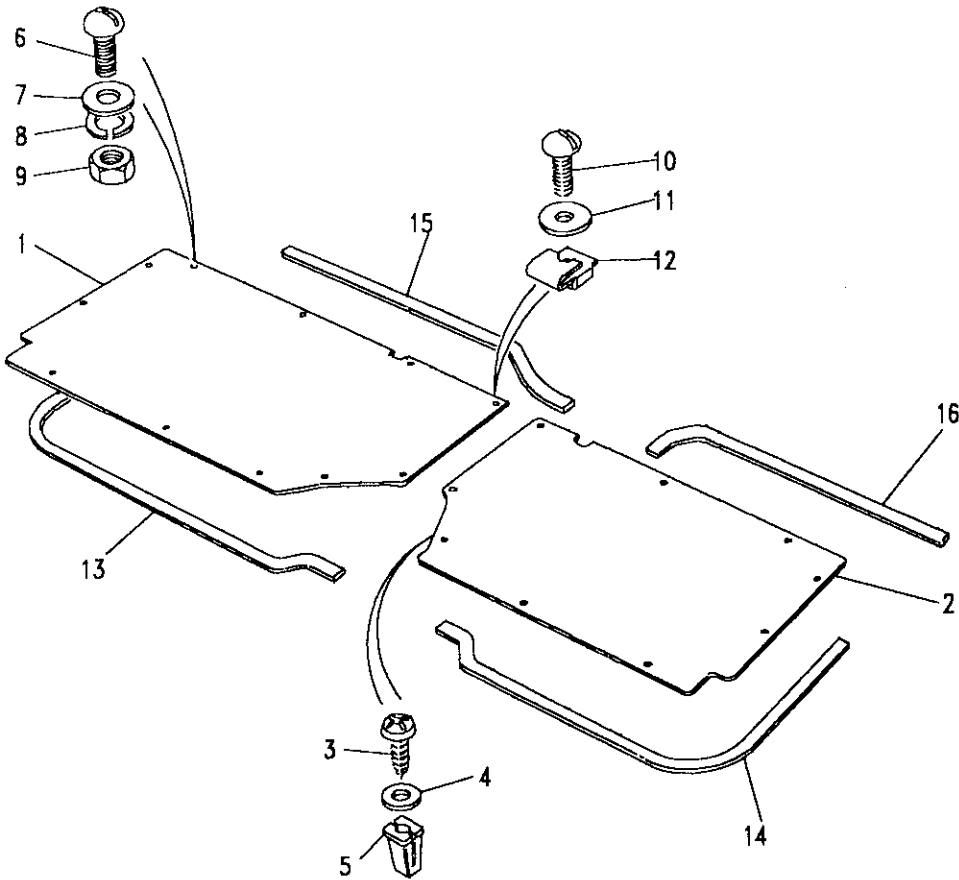
III. Part No.	Description	Qty	Remarks
1	MRC9720	1	4 cylinder
	MUC1228	1	V8 LT85
	ALR1742	1	V8 LT77
2	MTC2248	1	4 cylinder
	MTC2248	1	Diesel turbo
	MUC1227	1	V8 LT85
	ALR1743	1	V8 LT77

Fixings - Floor plate to toebox

3	AB614061L	5	Screw
4	MRC5527	5	Washer plain
5	RTC3744	5	Nut lokut

Fixings - Floor plate to sill channel

6	SE106201L	4	Screw
7	WC106041L	4	Washer plain
8	WL106001L	4	washer spring
9	NH106041L	4	Nut





Model DEFENDER 110 1987 onwards

Page AFNXCG1A

BODY - FLOOR PLATES

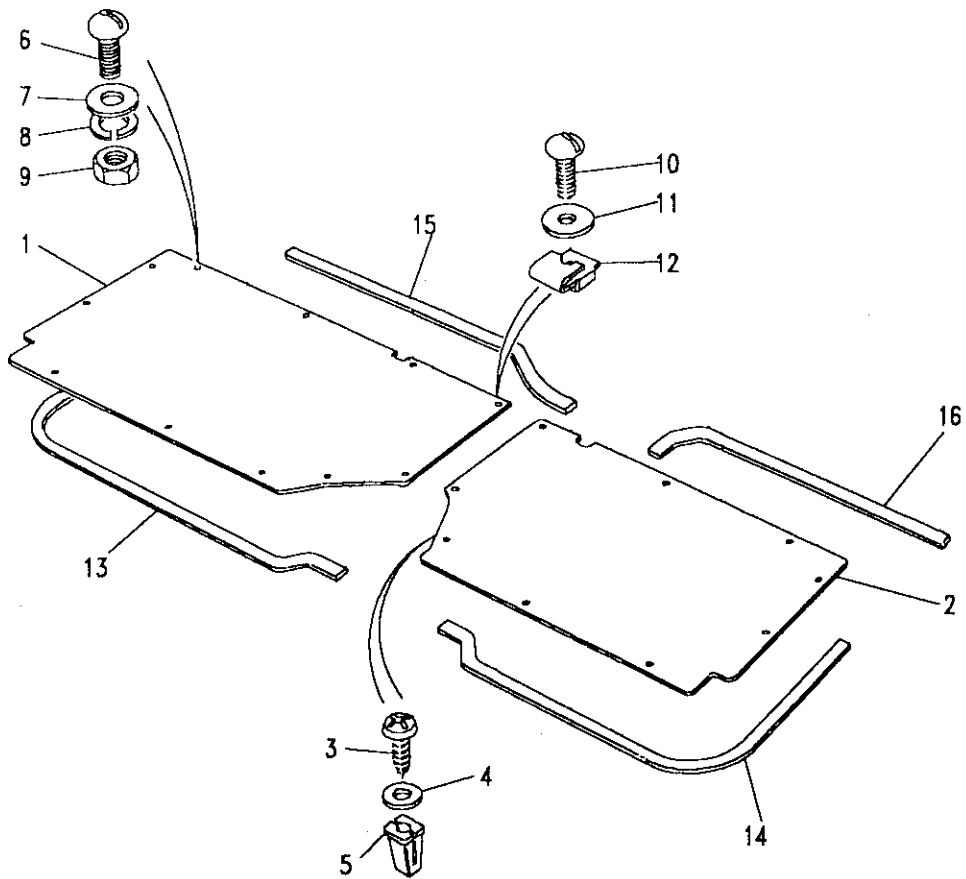
III. Part No.	Description	Qty	Remarks
---------------	-------------	-----	---------

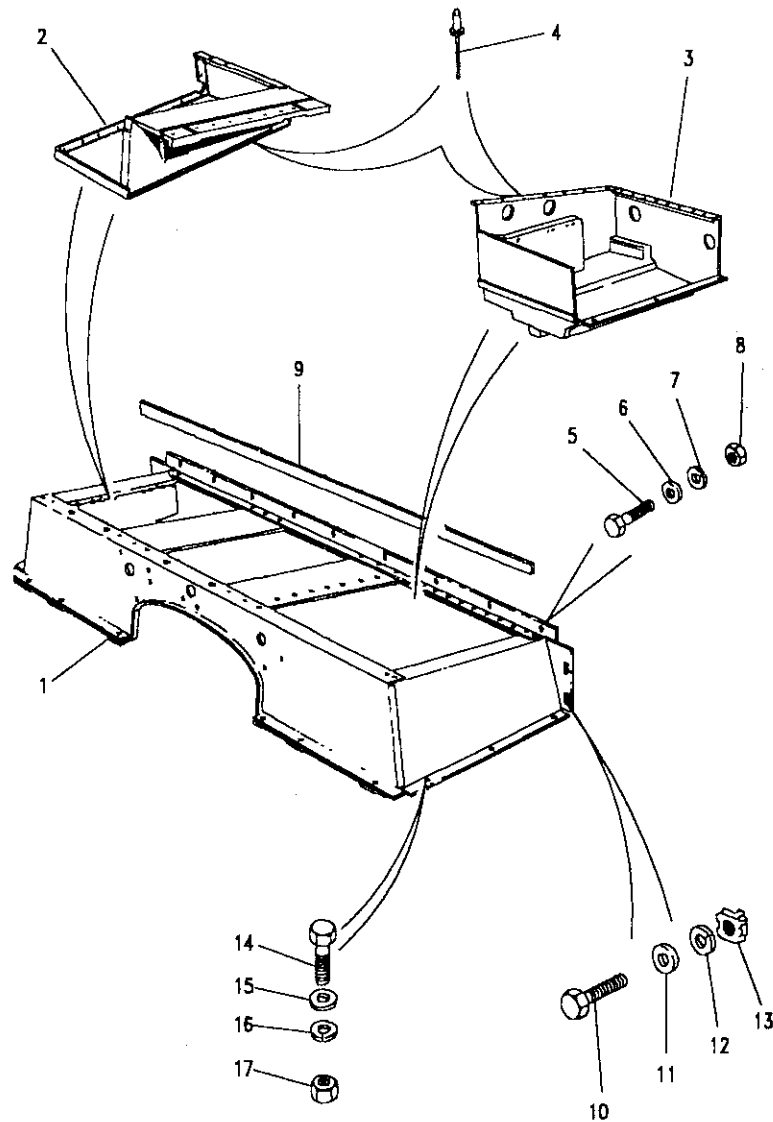
Fixings - Floor plate to heelboard

10	320045 Bolt	5	4 cylinder
11	WC106041L Washer plain	5	4 cylinder
12	AL614011 Nut spire	5	4 cylinder
	320045 Bolt	6	V8
	WC106041L Washer plain	6	V8
	AL614011 Nut spire	6	V8
13	MRC8626 Seal RH	1	
14	MRC8626 Seal LH	1	
15	MRC8626 Seal RH	1	
16	MRC8626 Seal LH	1	

Defender 130

RRC6198	Floor plate rear interm	1	
RRC2497	Support rear cab floor	1	



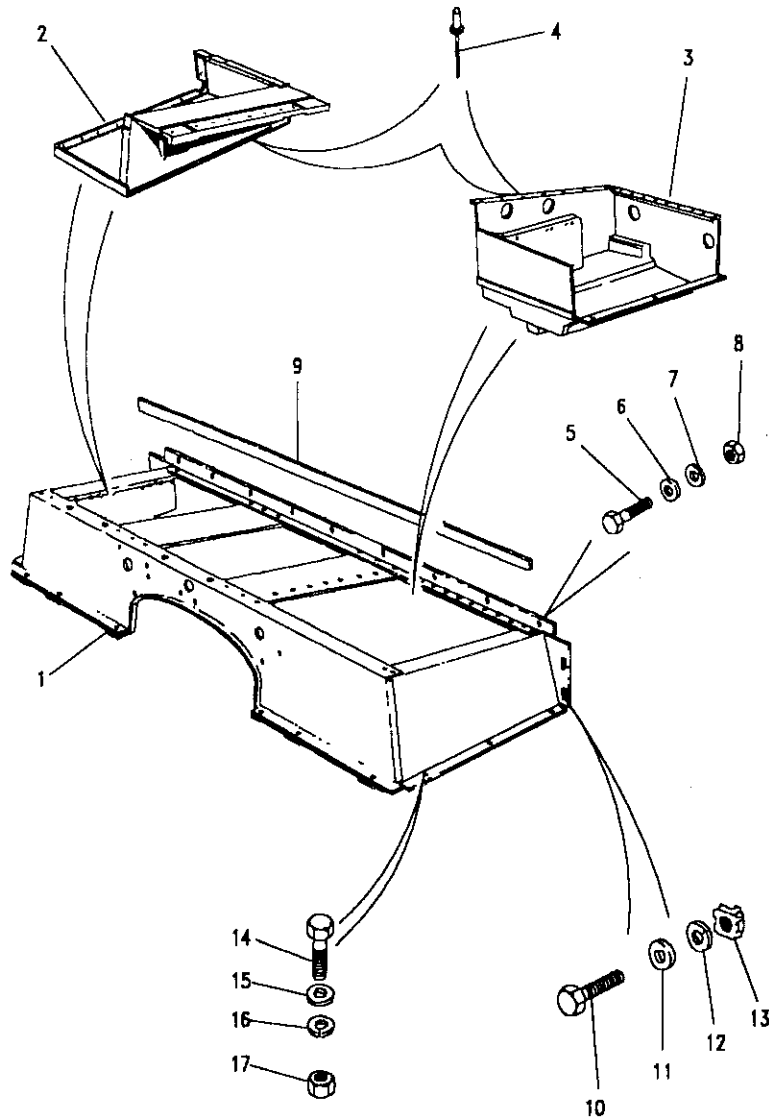


Model DEFENDER 110 1987 onwards
 Page AFNXC11A

BODY - SEAT BASE

III. Part No.	Description	Qty	Remarks
With tool locker - Upto 455595			
1 MTC6340	Seat base	1	4 cylinder
MUC6166	Seat base	1	V8
Without tool locker - Upto 455595			
1 RTC6218	Seat base	1	4 cylinder
MUC6167	Seat base	1	V8
With tool locker - From HA455596			
1 MXC8552	Seat base	1	4 cylinder
MXC8554	Seat base	1	V8 LT85
ALR1752	Seat base	1	V8 LT77
ALR6365	Seat base	1	V8/300 TDI R380
Without tool locker - From HA455596			
1 MXC8551	Seat base	1	4 cylinder
MXC8555	Seat base	1	V8 LT85
ALR1753	Seat base	1	V8 LT77
ALR6366	Seat base	1	V8/300 TDI R380
Defender 130			
RRC6239	Seat base front	1	
RRC2432	Seat base rear	1	

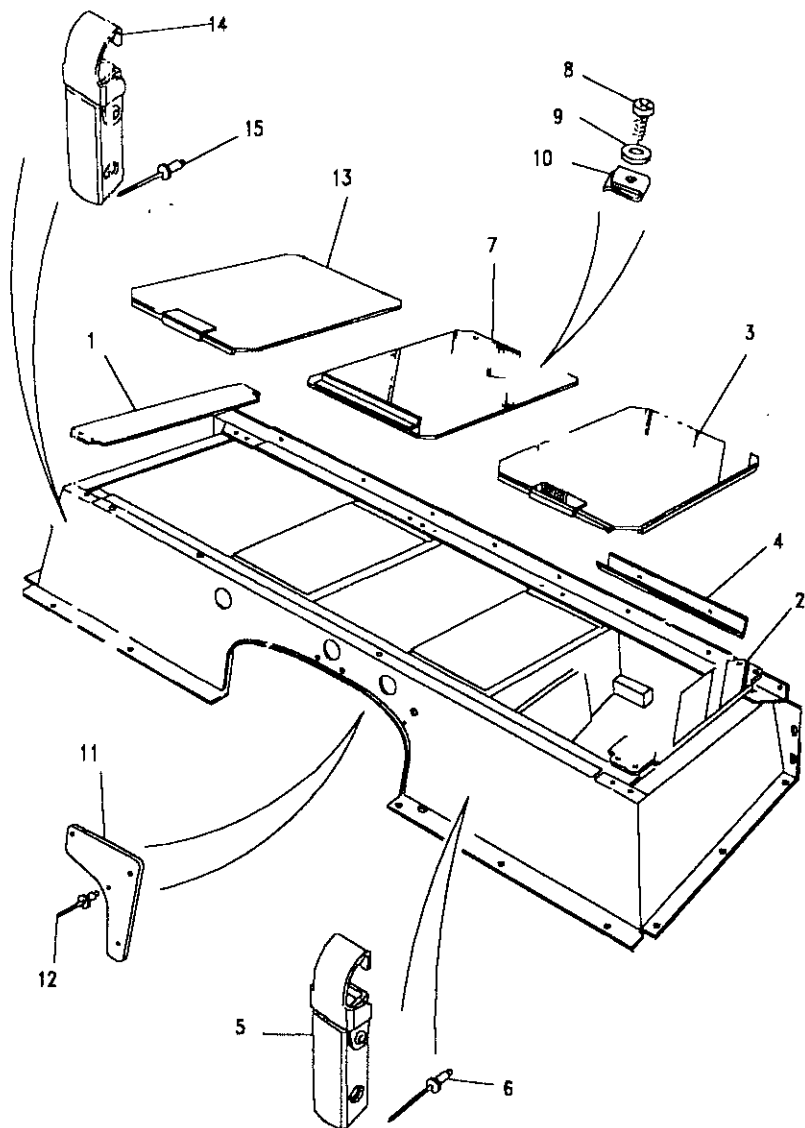




Model DEFENDER 110 1987 onwards
 Page AFNXC11A

BODY - SEAT BASE

III. Part No.	Description	Qty	Remarks
2 MTC6305	Tool locker	1	Upto 455595
MXC5746	Tool locker	1	From 455596
3 MRC9664	Battery tray	1	Upto 455595
MXC8556	Battery tray	1	From 455596
4 78248	Rivet	25	Tool locker
78248	Rivet	28	Battery tray
5 FS106201L	Flange screw	9	
6 MRC5525	Washer plain	18	
7 WL106001L	Washer spring	9	
8 NH106041L	Nut	9	
9 MRC8626	Seal	1	
10 FS106201L	Flange screw	2	
SH106251L	Screw	2	
11 MRC5528	Washer plain	4	
12 WL106001L	Washer spring	4	
13 NK106081	Nut grip	4	
14 FS106201L	Flange screw	6	
15 MRC5525	Washer plain	12	
16 WL106001L	Washer spring	6	
17 NH106041L	Nut	6	

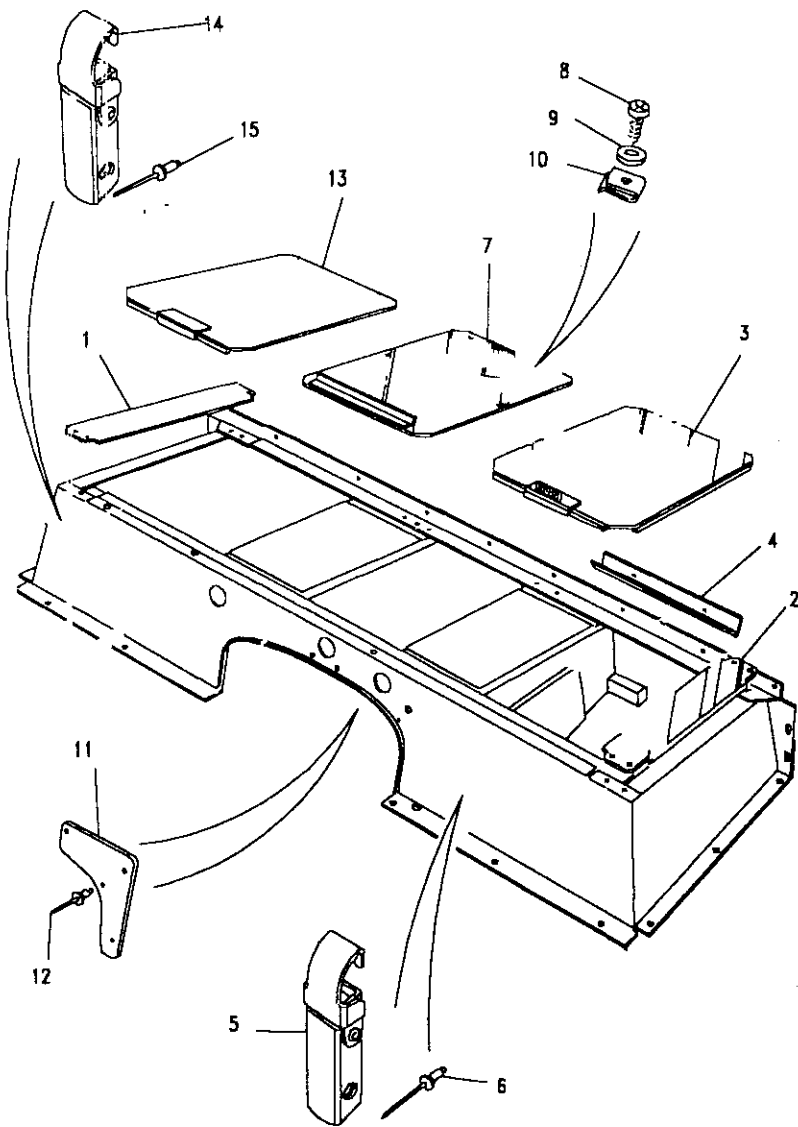


Model DEFENDER 110 1987 onwards
Page AFNXC12A

BODY - SEATBASE FITTINGS

Ill. Part No.	Description	Qty	Remarks
1	MUC1412 334966	1	Upto 278330
		1)From 278331
)Upto 455595
)Note(1)
2	MUC1412	1	Upto 455595
			Note(1)
3	ALR5110	1	Cover battery access
4	MRC8136	1	Angle locating
	MXC6338	1	Angle locating
	FS106201L	1	Flange screw
	MRC5525	2	Washer plain
	NH106041L	2	Nut
5	MRC8388	1	Catch overcentre
6	RU608123L	2	Rivet
4	Cylinder		
7	MXC6315	1	Cover centre
	MTC4196	1	Cover
			Up to 455961
			Up to 455961
			Note(2)
	MXC9116	1	Cover centre
			From HA455962

Note(1) From HA455596 extension panels are not separate parts
 Note(2) When centre console fitted

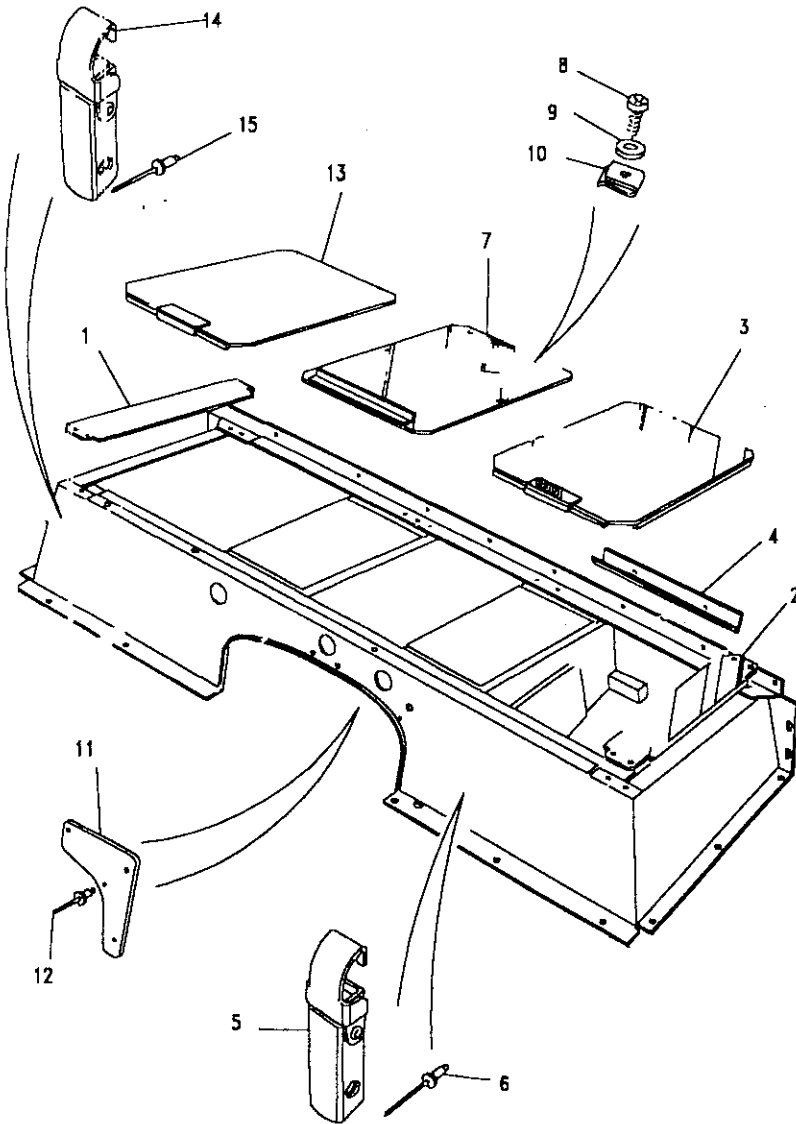


Model DEFENDER 110 1987 onwards
Page AFNXC12A

BODY - SEATBASE FITTINGS

III. Part No.	Description	Qty	Remarks
V8			
7 MTC4215	Cover centre	1	Up to FA413237
MTC4197	Cover centre	1	Up to FA413237
MXC6312	Cover centre	1	Note(1) From FA413238
MXC9117	Cover centre	1	Up to 455961 From HA455962
All variants			
8 AB610051L	Screw	4	
9 WC106041L	Washer plain	4	
10 53K3039L	Nut spire	4	
4 Cylinder			
11 MTC2203	Plate cover	1	RHS
MTC2202	Plate cover	1	LHS
V8			
MUC1234	Plate cover	1	RHS
MUC1233	Plate cover	1	LHS
12 78248	Rivet	4	

Note(1) When centre console fitted



Model DEFENDER 110 1987 onwards

Page AFNXC12A

BODY - SEATBASE FITTINGS

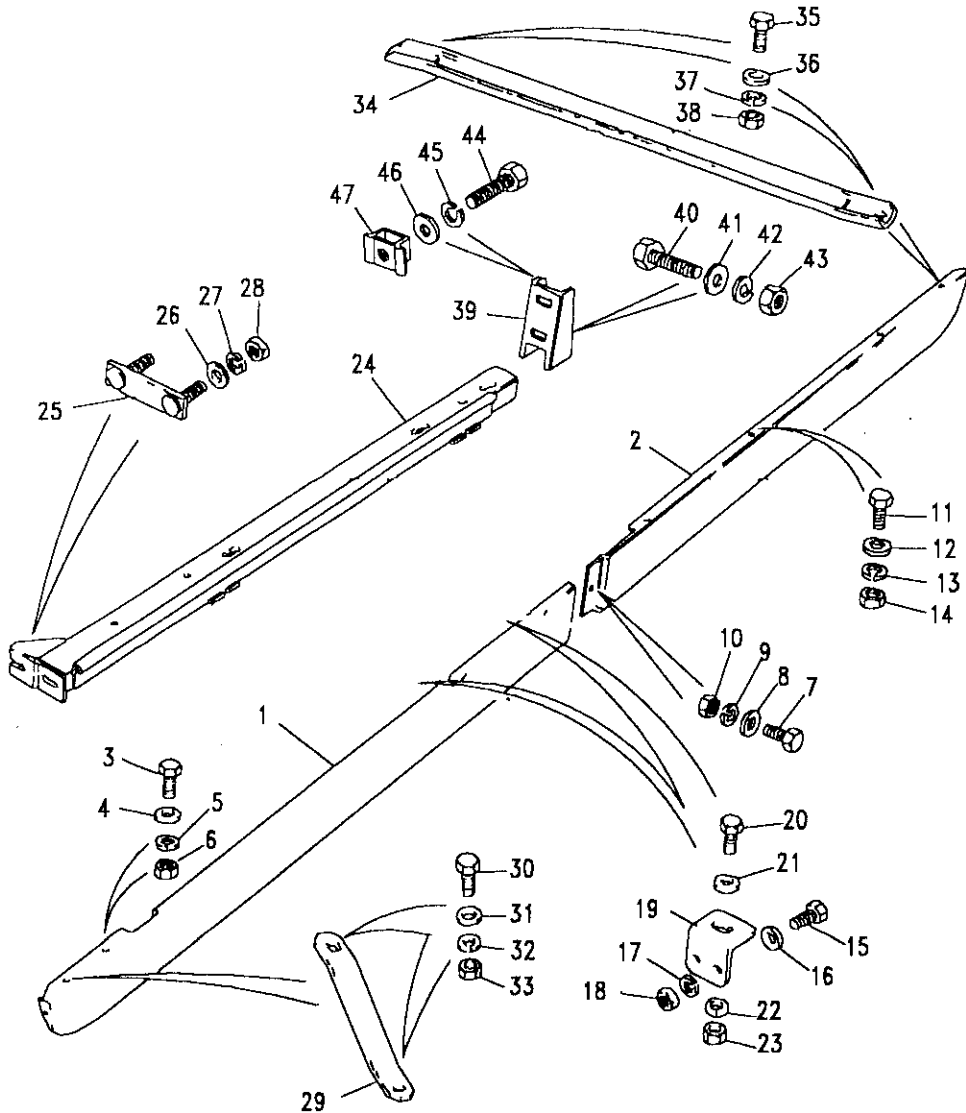
III. Part No.	Description	Qty	Remarks
Vehicles without additional fuel tank			
13 ALR5113	Cover tools access	1	
Vehicles with additional fuel tank			
MUC4499	Cover fuel tank access	1	Up to 455595
MXC7373	Cover fuel tank access	1	From HA455596
All Variants			
MRC8136	Angle locating	1	Upto 455595
MXC6338	Angle locating	1	From HA455596
FS106201L	Flange screw	2)Angle to
MRC5525	Washer plain	2)seat base
NH106041L	Nut	2)
14 MRC8388	Catch overcentre	1	
15 RU608123L	Rivet	2	
MRC5509	Stud plate	1	
RB613102	Rivet	1	
MUC5376	Pad sound deadening	3	Seat base covers
338015	Plug blanking-1/2"	4	Seat base
338028	Plug blanking-2"dia	1	Seat base toolbox
338017	Plug blanking-9/16"dia	6	Seat base



Model DEFENDER 110 1987 onwards
Page AFNXCK1A

BODY - SILL PANELS - EXCEPT STATION WAGON

III. Part No.	Description	Qty	Remarks
1	RTC6205	1	Sill panel front RH
	RTC6206	1	Sill panel front LH
Defender 110			
2	MRC5049	1	Sill panel rear RH
	MRC5050	1	Sill panel rear LH
	337812	1	Sill panel rear RH Chassis cab
	337813	1	Sill panel rear LH Chassis cab
Defender 130			
2	RRC6234	1	Sill panel rear RH
	RRC6233	1	Sill panel rear LH
	RRC2637	1	Sill bracket RH
	RRC2638	1	Sill bracket LH
Front sill panel to wing outer panel			
3	FS06167	4	Screw
4	MTC5525	8	Washer plain
5	WL106001L	4	Washer spring
6	NH106041L	4	Nut



Model DEFENDER 110 1987 onwards

Page AFNXCK1A

BODY - SILL PANELS - EXCEPT STATION WAGON

Ill. Part No. Description Qty Remarks

Front to rear sill panel

7	FS106167L	Screw	2
8	RTC609	Washer plain	4
9	WM106001L	Washer spring	2
10	NH106041L	Nut	2

Fixing rear sill panel

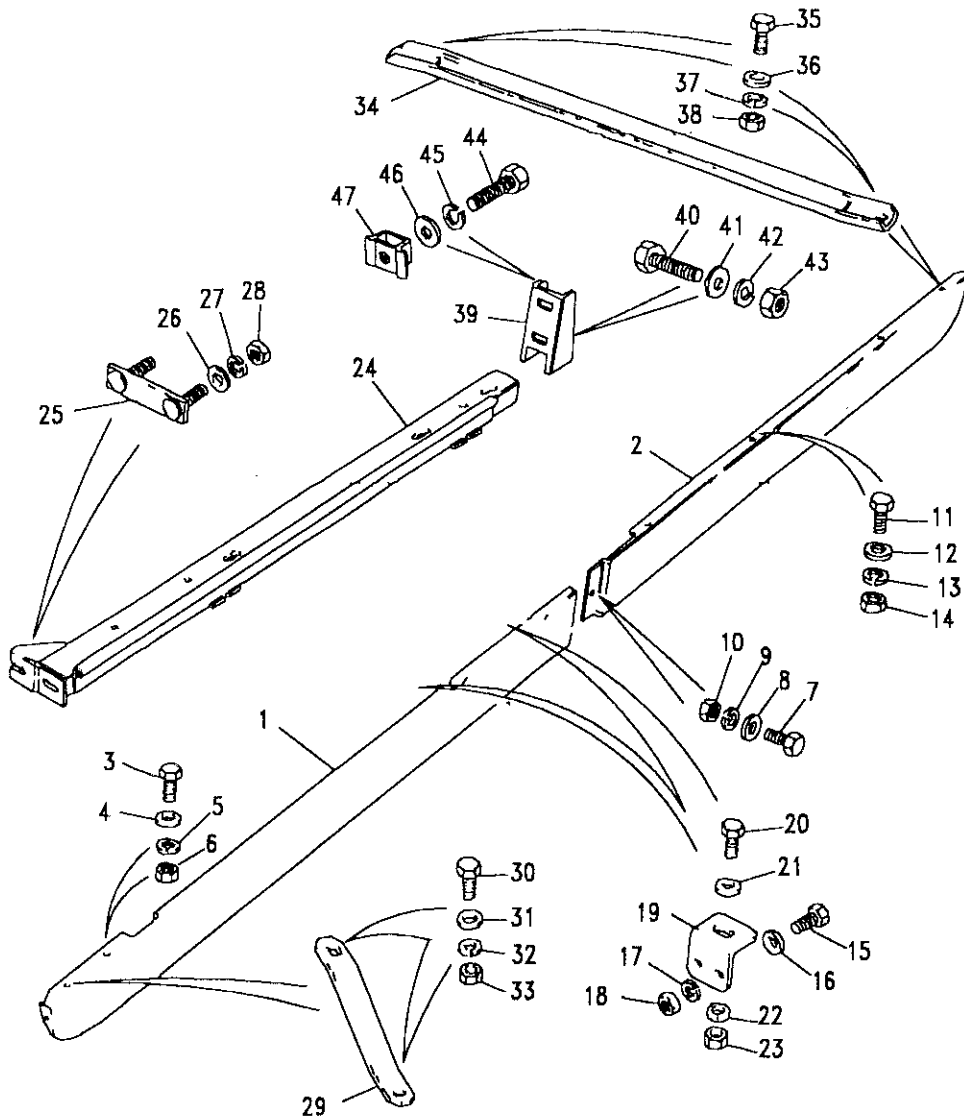
11	FS106167L	Screw	14
12	RTC609	Washer plain	12
13	WM106001L	Washer spring	6
14	NH106041L	Nut	14

Sill panel to channel bracket

15	FS106167L	Screw	4
16	RTC609	Washer plain	8
17	WM106001L	Washer spring	4
18	NH106041L	Nut	4
19	MRC9438	Bracket	4

Bracket to sill channel

20	FS106201L	Flange screw	4
21	AFU1069	Washer plain	8
22	WL106001L	Washer spring	4
23	NH106041L	Nut	4





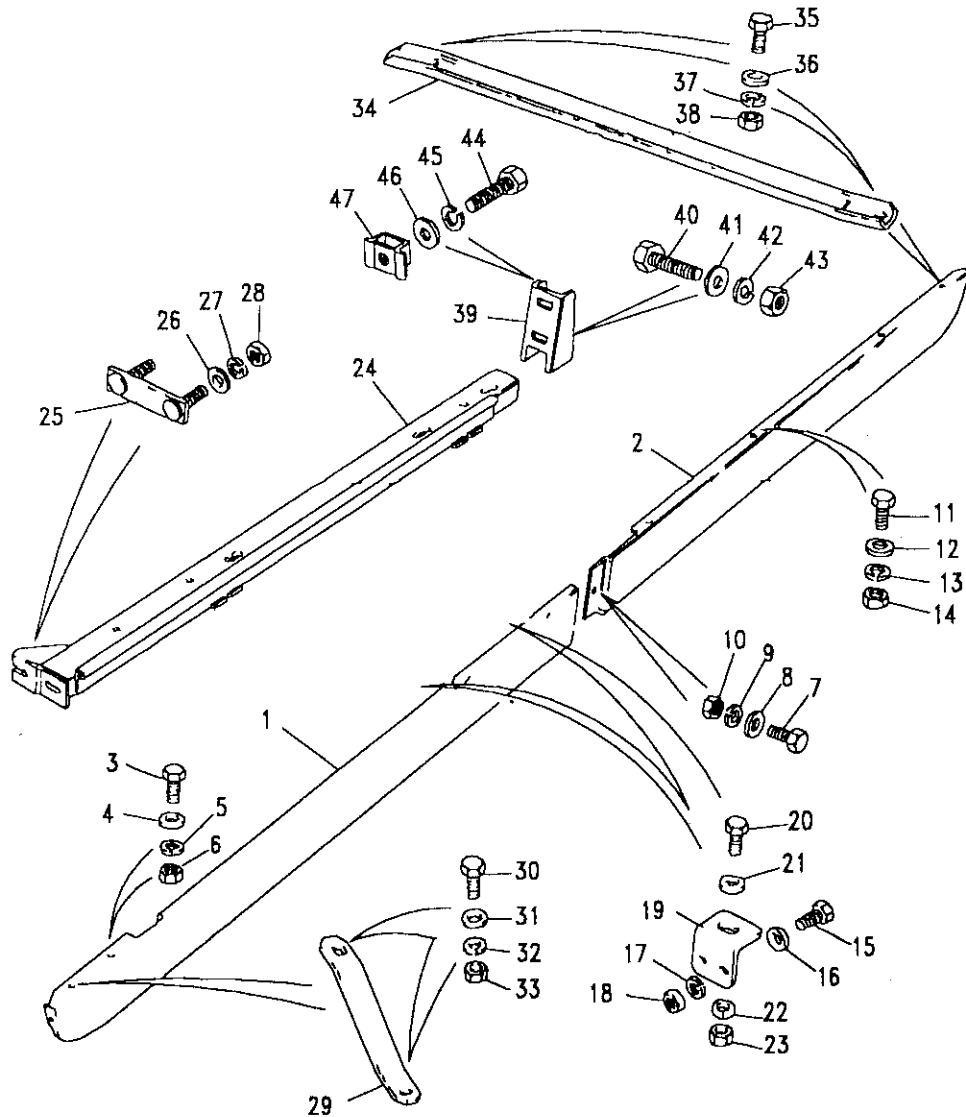
Model DEFENDER 110 1987 onwards
Page AFNXCK1A

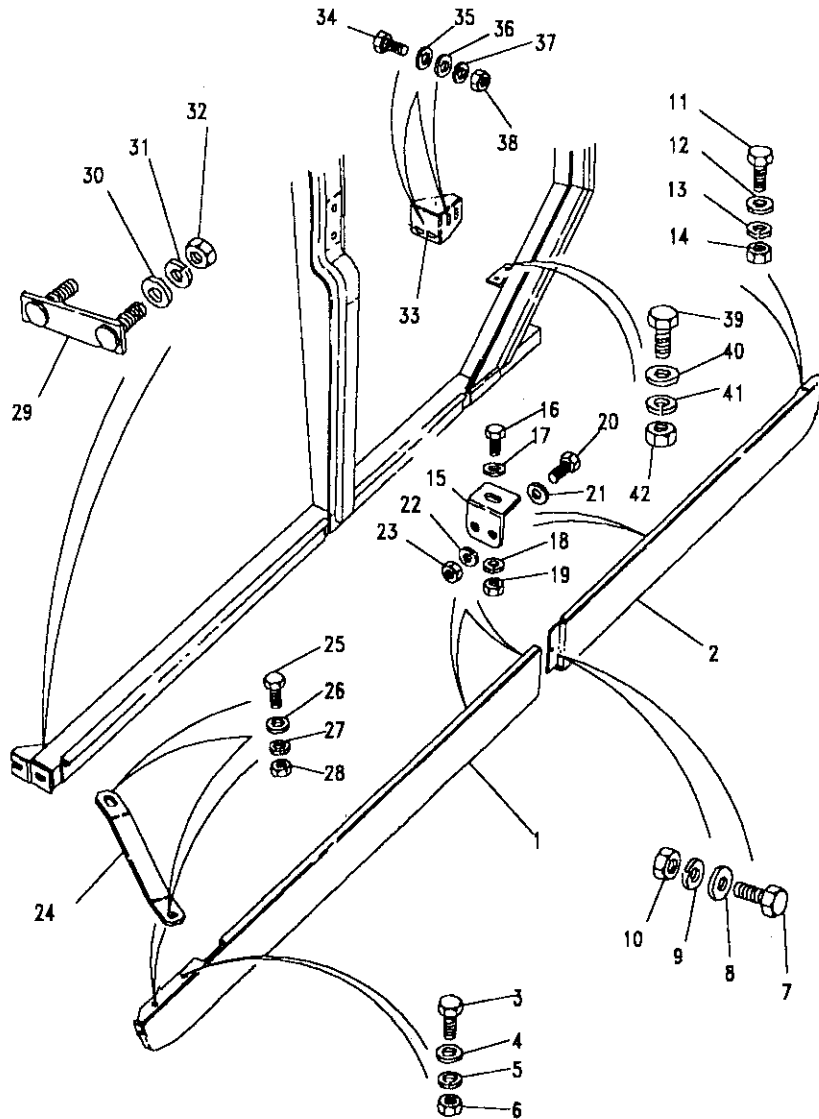
BODY - SILL PANELS - EXCEPT STATION WAGON

III. Part No.	Description	Qty	Remarks
24	MWC1086	1)Up to
	MWC1087	1)LA924784
	ALR5294	1)From
	ALR5295	1)LA924785

Sill channel to dash

25	MRC2481	2	Stud plate
26	RTC601	4	Washer plain
27	WM600051L	4	Washer spring
28	NH605041L	4	Nut
29	MRC5153	2	Stay front
30	FS106167L	4	Screw
31	WA106041L	4	Washer plain
32	WL106001L	4	Washer spring
33	NH106041L	4	Nut
34	MRC6019	2	Stay centre
35	FS106167L	4	Screw
36	WA106041L	4	Washer plain
37	WL106001L	4	Washer spring
38	NH106041L	4	Nut
39	347436	2	Bracket mounting
40	FS108207L	4	Screw
41	RTC610	8	Washer plain
42	WL108001L	4	Washer spring
43	FN108041L	4	Nut
44	FS106201L	4	Flange screw
45	WL106001L	4	Washer spring
46	MRC5528	4	Washer plain
47	NK106081	4	Nut grip



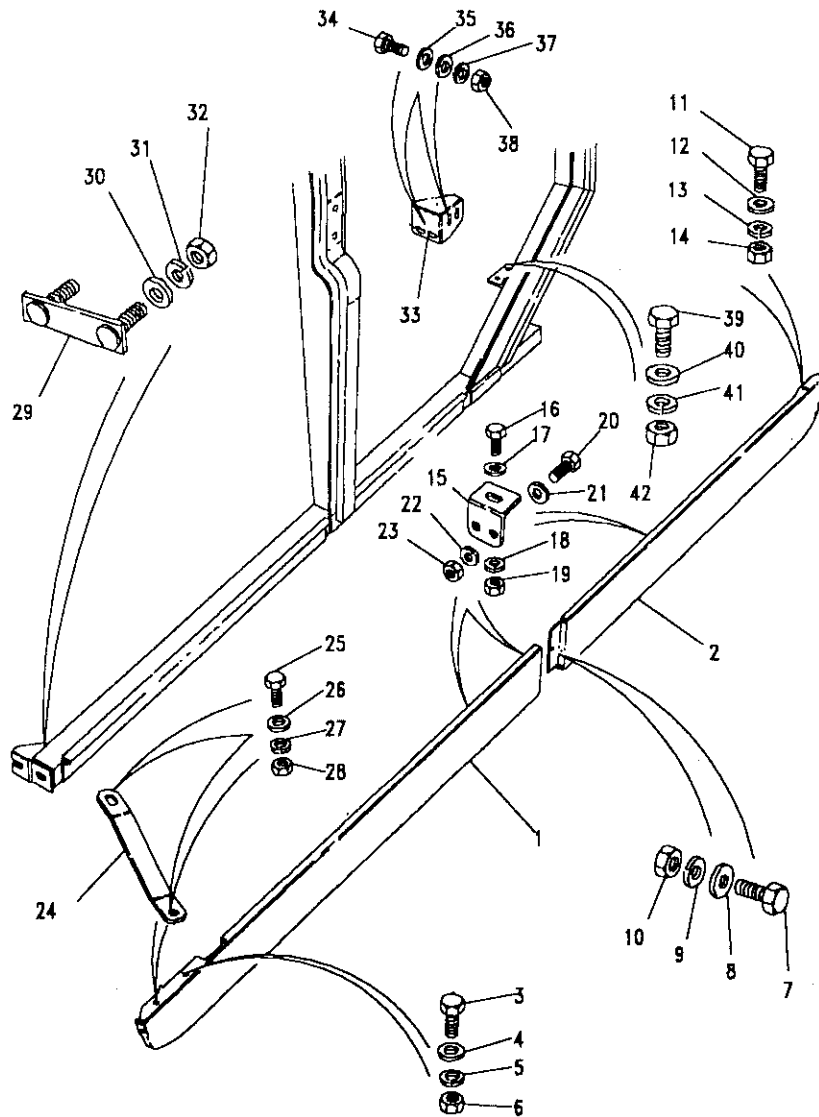


Model DEFENDER 110 1987 onwards
Page AFNXCK2A

BODY - SILL PANELS - STATION WAGON

Ill. Part No.	Description	Qty	Remarks
1	RTC6205	1	Sill panel front RH
	RTC6206	1	Sill panel front LH
Defender 110			
2	RTC6209	1	Panel sill rh
	RTC6210	1	Panel sill lh
Defender 130			
2	RRC6234	1	Sill panel rear RH
	RRC6233	1	Sill panel rear LH
	RRC2637	1	Sill bracket RH
	RRC2638	1	Sill bracket LH
Front sill panel to wing outer panel			
3	FS106167L	4	Screw
4	MUC5525	8	Washer plain
5	WL106001L	8	Washer spring
6	NH106041L	4	Nut
Front to rear sill panel			
7	FS106167L	2	Screw
8	RTC609	4	Washer plain
9	WM106001L	2	Washer spring
10	NH106041L	2	Nut



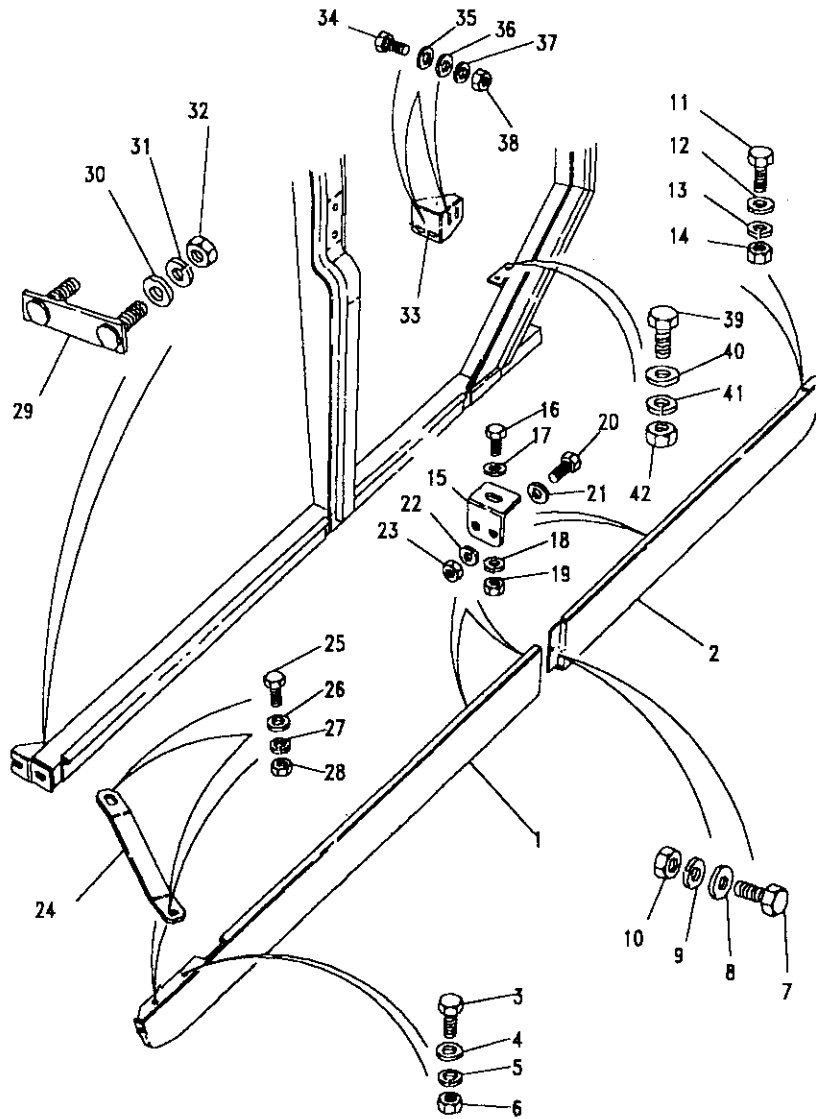


Model DEFENDER 110 1987 onwards
Page AFNXCK2A

BODY - SILL PANELS - STATION WAGON

III. Part No.	Description	Qty	Remarks
Fixing rear sill panel			
11	FS106167L	4	Screw
12	RTC609	4	Washer plain
13	WM106001L	4	Washer spring
14	NH106041L	4	Nut
15	MRC9438	6	Bracket
Bracket to sill channel			
16	FS106201L	6	Flange screw
17	RTC609	12	Washer plain
18	WM106001L	6	Washer spring
19	NH106041L	6	Nut
Sill panel to channel bracket			
20	FS106167L	4	Screw
21	RTC609	8	Washer plain
22	WM106001L	4	Washer spring
23	NH106041L	4	Nut
24	MRC5153	2	Front Stay
25	FS106167L	4	Screw
26	WA106041L	4	Washer plain
27	WL106001L	4	Washer spring
28	NH106041L	4	Nut

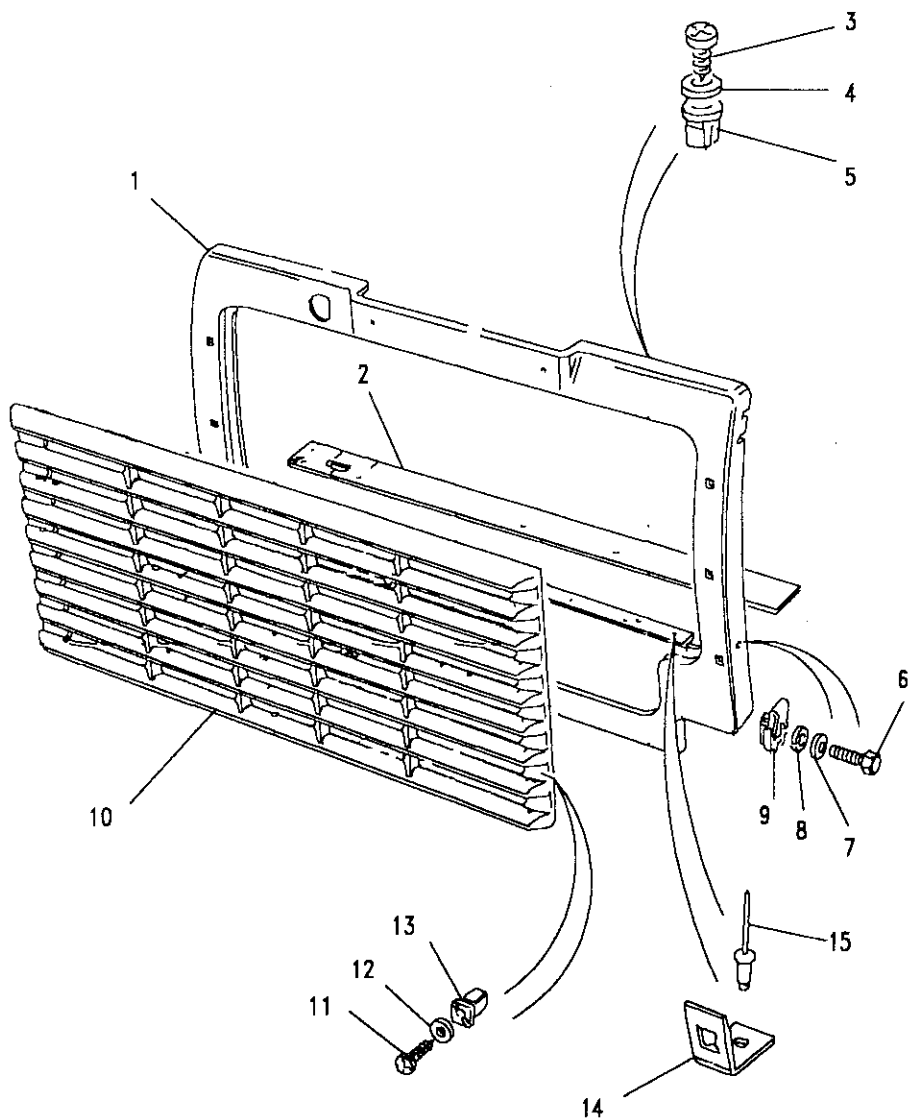




Model DEFENDER 110 1987 onwards
Page AFNXCK2A

BODY - SILL PANELS - STATION WAGON

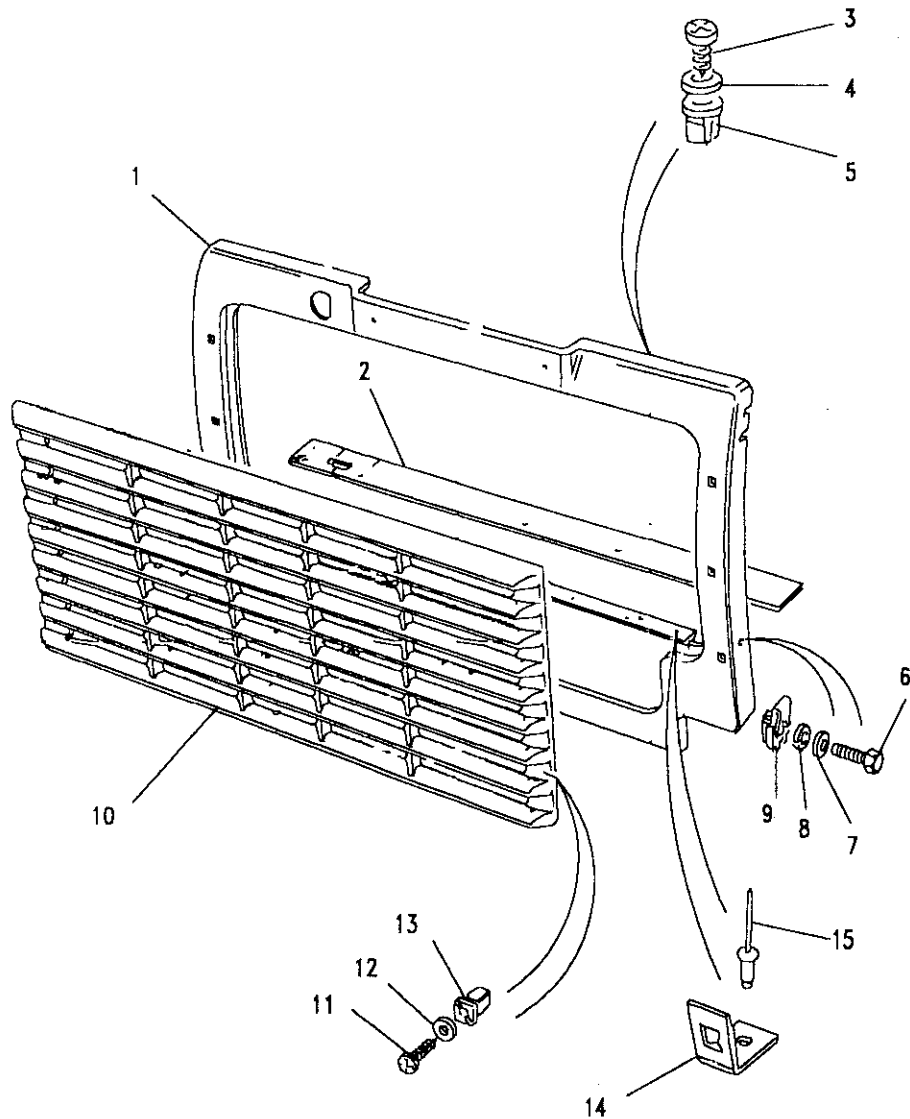
Ill. Part No.	Description	Qty	Remarks
Channel to dash			
29	MRC5765 Stud plate	2	
30	RTC610 Washer plain	4	
31	WM600051L Washer spring	4	
32	FN108041L Nut	4	
	MRC6359 Bracket RH	1	
33	MRC6360 Bracket LH	1	
Bracket to rear sill panel			
34	SX108251 Screw	8	
35	WP185 Washer plain	2	
36	RTC601 Washer plain	16	
37	WM600051L Washer spring	8	
38	FN108041L Nut	8	
Frame to rear floor			
39	SH108161L Screw	4	
40	WC108051L Washer plain	4	
	RTC613 Washer plain	4	
41	WM600051L Washer spring	4	
42	FN108041L Nut	4	
	MUC9110 Nut Plate	4	



Model DEFENDER 110 1987 onwards
Page AFNXDA1A

BODY - RADIATOR GRILLE

Ill. Part No.	Description	Qty	Remarks
Non air con			
1	MWC2926 ALR1339	1	Panel grille Panel grille
1		1	Upto HA906578 From JA906579
Air con			
1	MUC6112 ALR1522	1	Panel grille Panel grille
2	MRC9544	1	Seal
1		1	Upto HA906578 From JA906579
All variants			
3	AB606057	4	Screw
4	WC105007	4	Washer plain
5	RTC3745	4	Nut lokut
Fixings - Non air con			
6	FS108207L	2	Screw
7	WL108001L	2	Washer spring
8	WA108051L	2	Washer plain
9	NJ108061L	2	Nut retainer
Fixings - Air con			
	MTC6332	2	Bracket mounting
	AB614065L	2	Screw
	WL106005L	2	Washer spring
	WA106045L	2	Washer plain
	AK612011L	2	Nut spring



Model DEFENDER 110 1987 onwards
Page AFNXDA1A

BODY - RADIATOR GRILLE

Ill. Part No.	Description	Qty	Remarks
10	MTC3862	1	Grille
	MWC8466CUF	1	Grille Arrow Red
	MWC8466HCC	1	Grille Bronze Green
	MWC8466HCN	1	Grille Trident Green
	MWC8466JUG	1	Grille Shire Blue
	MWC8466LCN	1	Grille Slate Grey
	MWC8466NCM	1	Grille Ivory
	MWC8466PUC	1	Grille Black
	MWC8466HUJ	1	Grille Eastnor Green
	MWC8466SUB	1	Grille Arran Beige
	MWC8466JUH	1	Grille Pacific Blue
	MWC8466NUC	1	Grille White
	MWC8466LUS	1	Grille Grey

Fixings - Non air con

11	AB614088	Screw	8
12	WA106045L	Washer plain	8
	WL106005L	Washer spring	2
13	RTC3744	Nut lokut	8

Fixings - Air con

	SE105161L	Screw	4
	WC105001L	Washer plain	4
	WF105001L	Washer shakeproof	4

Not required when chaff guard fitted

14	MTC6827	Bracket mounting	2
15	RA610183	Rivet	2



DEFENDER 110 1987 onwards

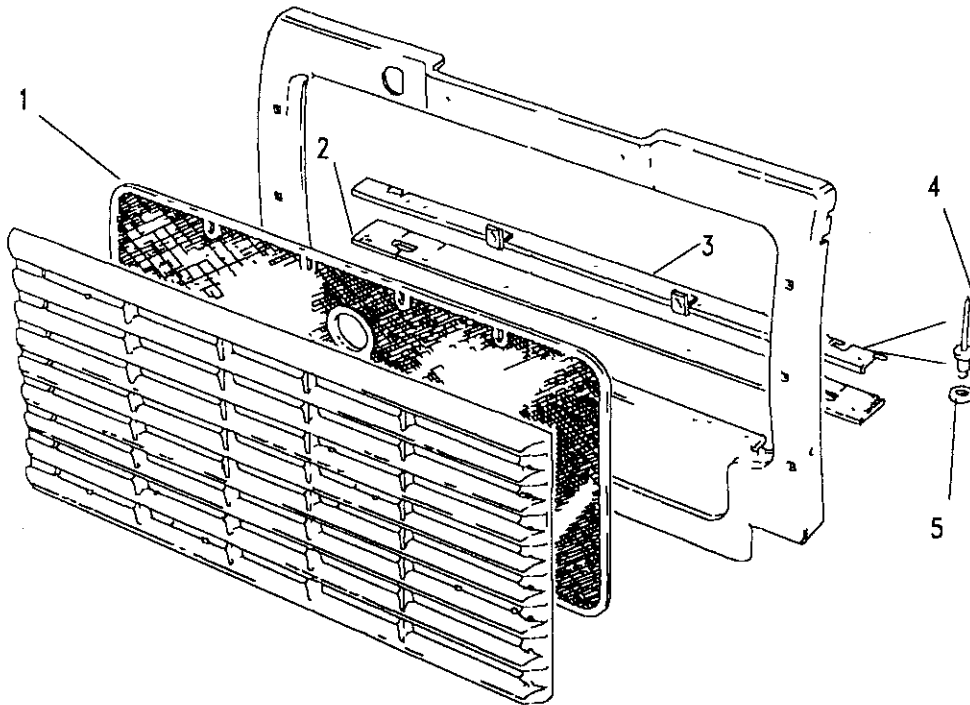
771

BODY AND CHASSIS

Model DEFENDER 110 1987 onwards
Page AFNXDA2A

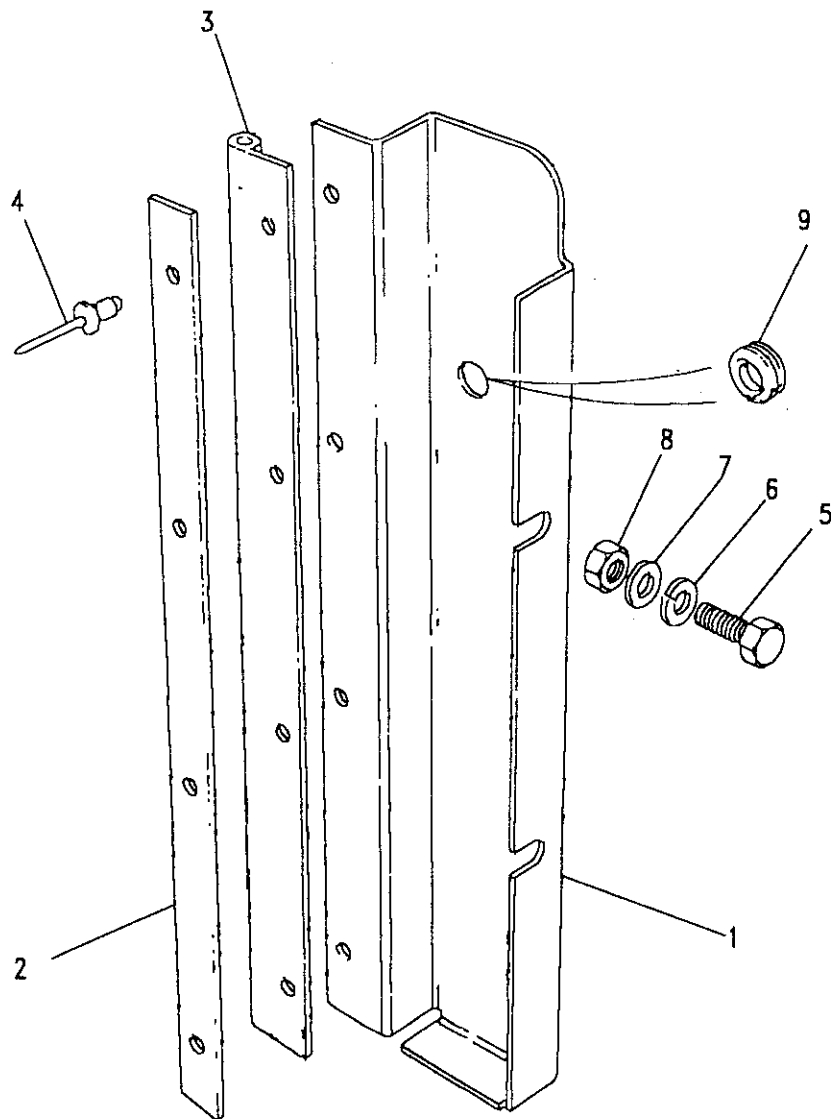
BODY - HAND/CHAFF GUARD

III. Part No.	Description	Qty	Remarks
1 MTC4220	Guard hand/chaff	1	
2 MTC4829	Seal	1	
3 MTC4826	Clamp Strip	1	
4 RA612253L	Rivet	7	
5 WA105001L	Washer plain	2	



Model DEFENDER 110 1987 onwards
Page AFNXDA3A

BODY - RADIATOR BAFFLE PLATE



III. Part No.	Description	Qty	Remarks
1	MRC9393	1	Plate baffle RH
	MRC9394	1	Plate baffle LH
2	MRC8269	2	Plate backing
3	MRC8047	2	Seal
4	RA612183	8	Rivet
5	SH106161	4	Screw
6	WM106001	4	Washer spring
7	WA106041L	4	Washer plain
8	NH106041L	4	Nut
9	235113	1	Grommet

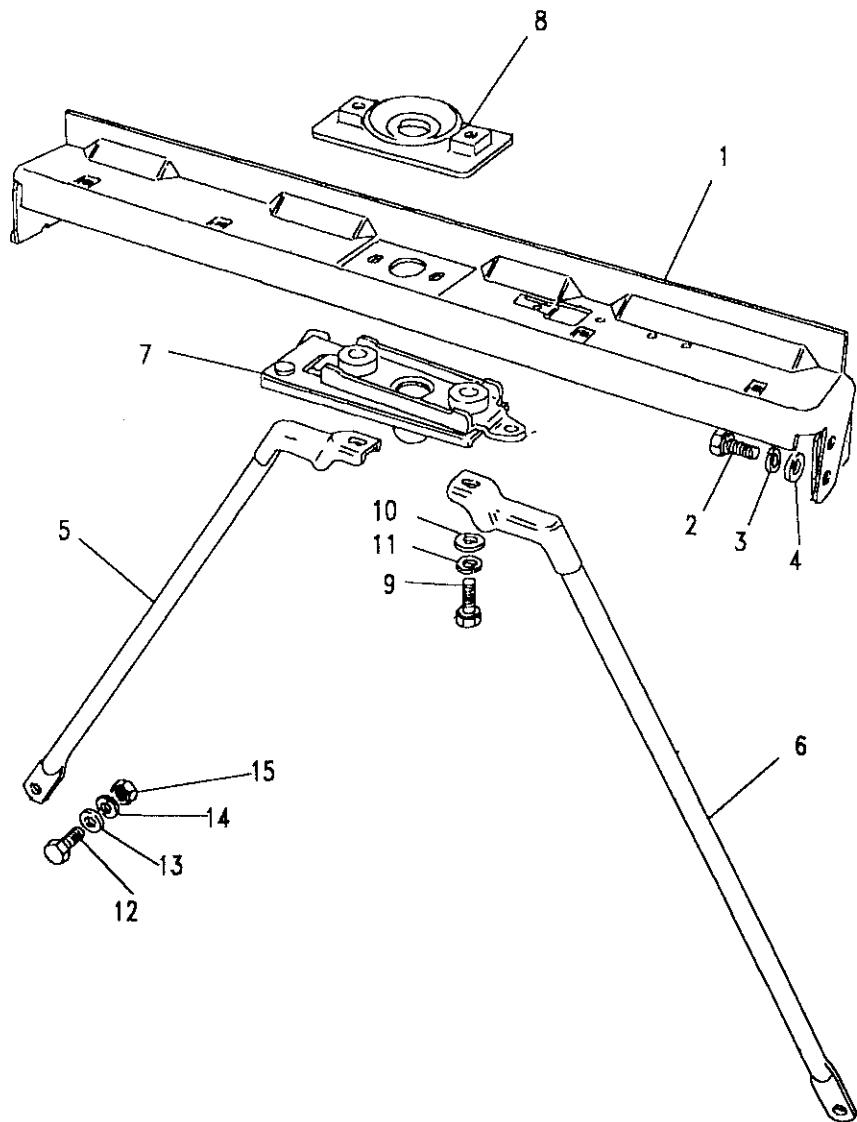
Note(1) Not applicable to Diesel and V8

Model DEFENDER 110 1987 onwards

Page AFNXDC1A

BODY - GRILLE TOP PANEL AND BRACES

III. Part No.	Description	Qty	Remarks
1 MUC4806	Panel grille top	1	Upto FA436664
MXC7732	Panel grille top	1	From FA436665
ALR4564	Panel grille top	1	Upto KA923603
2 FS108207L	Screw	4	From KA923604
FS108251L	Screw	4	Upto FA436664
SH108351L	Screw	4	Non Air Con
3 WL108001L	Washer spring	4	From FA436665
4 WA108051L	Washer plain	4	
5 MUC6658	Cross Brace RH	1	
6 MUC6659	Cross Brace LH	1	
7 ALR2385	Catch bonnet	1	Upto KA929745
STC925	Kit bonnet catch plate	1	From KA929746
8 MUC4804	Washer plate	1	
9 SH106301L	Screw	2	
10 WA106041L	Washer plain	2	
11 WL106001L	Washer spring	2	
12 FS108207L	Screw	2	
13 WA108051L	Washer plain	2	
14 WL108001L	Washer spring	2	
15 FN108041L	Nut	2	Non Air con
NY108041L	Nut	2	Air con

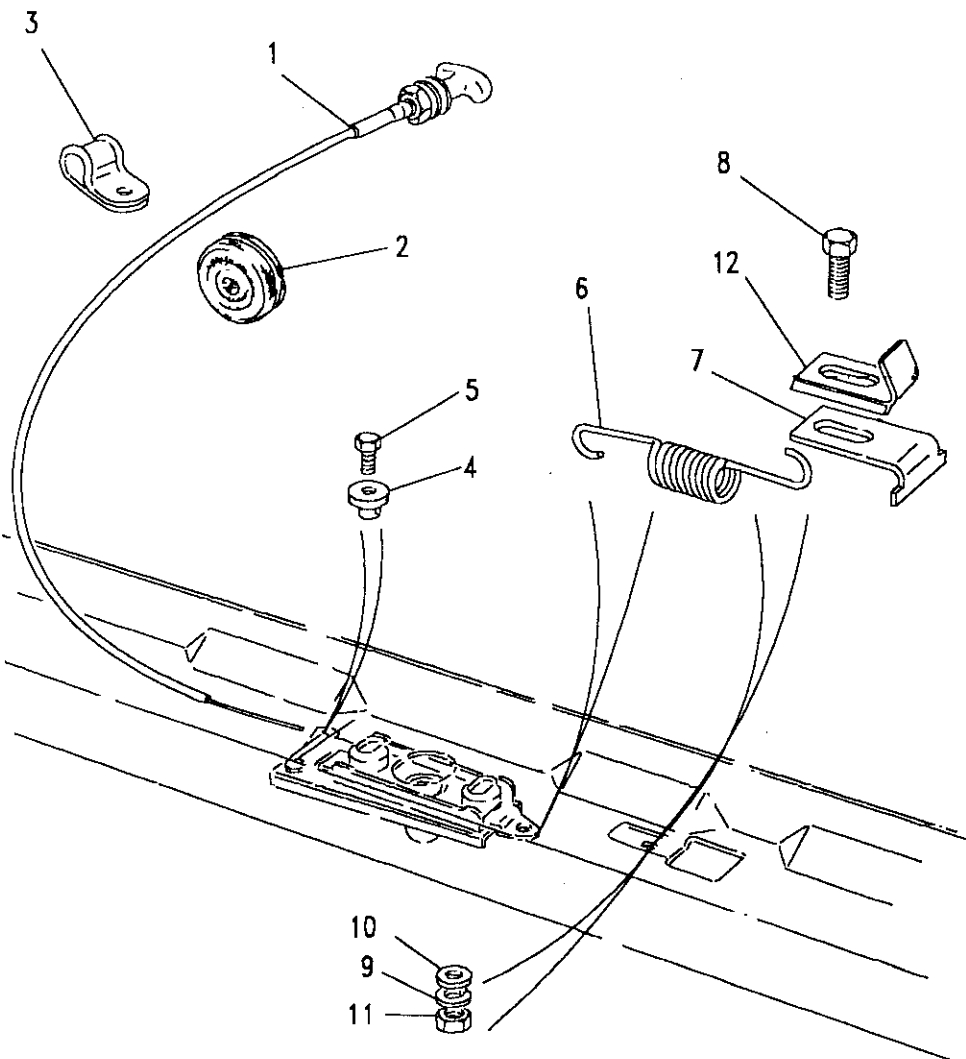


Model DEFENDER 110 1987 onwards

Page AFNXDC2A

BODY - BONNET RELEASE

III. Part No.	Description	Qty	Remarks
1 MXC7354	Cable bonnet release	1	
2 235113	Grommet	2	
Suspension cover			
3 3887	Clip cable	1	Upto 344771
MWC9380	Clip cable	1	From 344472
Grille top panel			
13H489L	Clip cable	1	
All variants			
4 STC926	Kit bonnet catch retainer	1	
STC926	Kit bonnet catch retainer	1	
STC925	Kit bonnet catch plate	1	
5 STC926	Kit bonnet catch retainer	1	
STC925	Kit bonnet catch plate	1	
6 351991	Spring	1	
7 393218	Plate adjusting	1	
8 FS106167L	Screw	1	
9 WL106001L	Washer spring	1	
10 WA106041L	Washer plain	1	
11 NH106041L	Nut	1	
12 MWC3339	Plate catch	1	From 321774





DEFENDER 110 1987 onwards

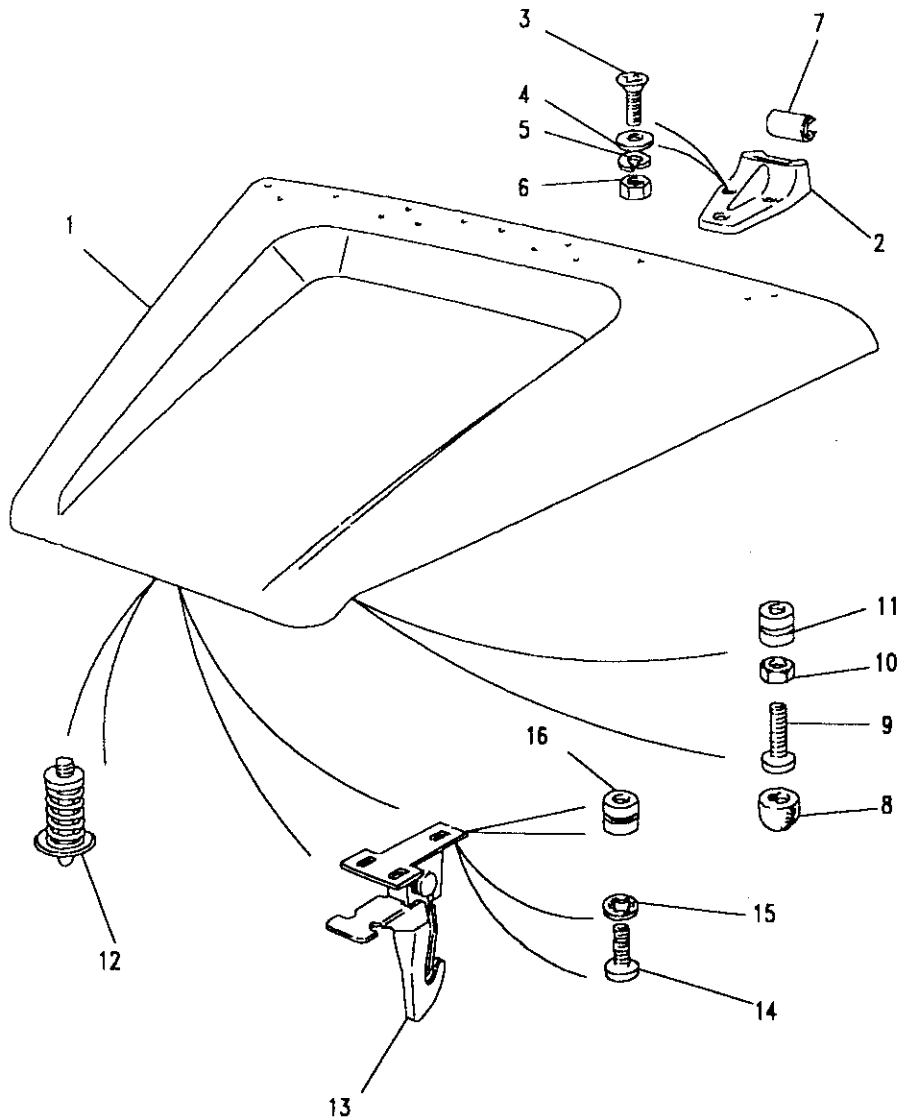
775

BODY AND CHASSIS

Model DEFENDER 110 1987 onwards
Page AFNXDE1A

BODY - BONNET

III. Part No.	Description	Qty	Remarks
1	RTC6213	1	Bonnet
2	MRC9244	2	Hinge
3	SF106161	6	Screw
4	WB106041	6	Washer plain
5	WL106001L	6	Washer spring
6	NH106041L	6	Nut
7	346849	2	Bush
8	391287	4	Buffer rubber
9	SE108404L	4	Screw
10	NH108044	4	Nut
11	NN108021	4	Nutsert
12	MWC9361	1	Striker bonnet
13	MUC6457	1	Hook safety
14	SE106161L	3	Screw
15	WF106001L	3	Washer shakeproof
16	NN106021	3	Nutsert



Model DEFENDER 110 1987 onwards

Page AFNXDE2A

BODY - BONNET PROPS

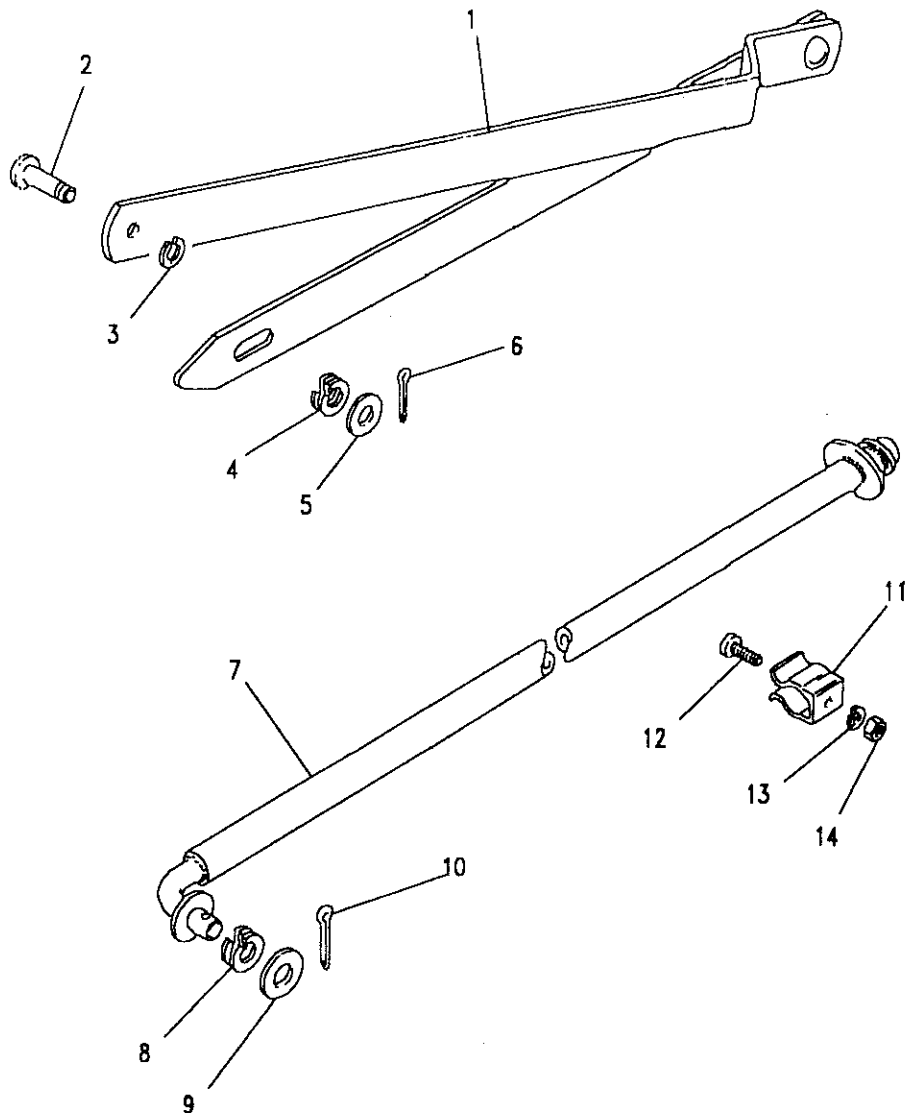
III. Part No. Description Qty Remarks

Scissor prop - Not suitable for bonnet mounted spare wheel

1	MUC4208	Prop bonnet	1
2	336535	Pin pivot	1
3	ADU3430	Clip retaining	1
4	WS108001L	Washer spring	1
5	AFU1104	Washer plain	1
6	PS104127	Pin split	1

Solid prop - Suitable for bonnet mounted spare wheel

7	MTC2220	Prop bonnet	1	Up to LA939975
	ALR6225	Prop bonnet	1	From MA939976
8	WS600061	Washer spring	1	
9	WA110061L	Washer plain	1	
10	PS106161	Pin split	1	
11	MRC7623	Clip prop stowage	1	
12	SP104101	Screw	1	
13	WL104001L	Washer spring	1	
14	NH104041L	Nut	1	

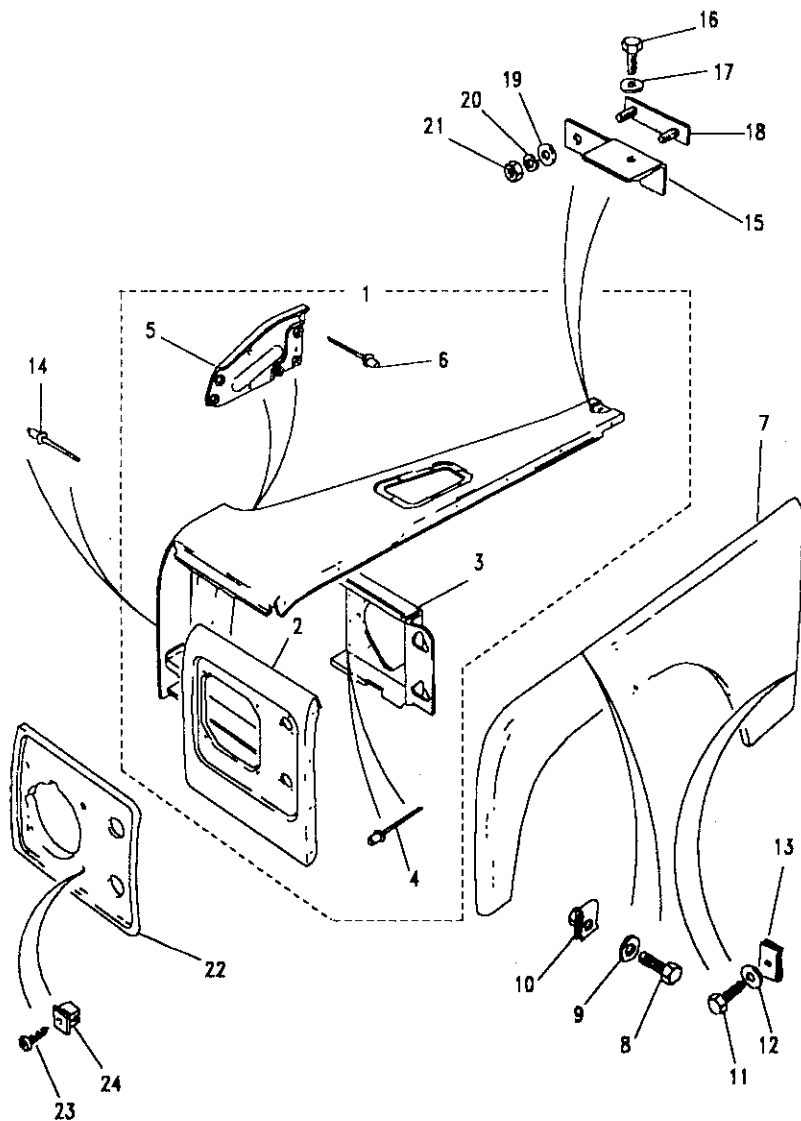


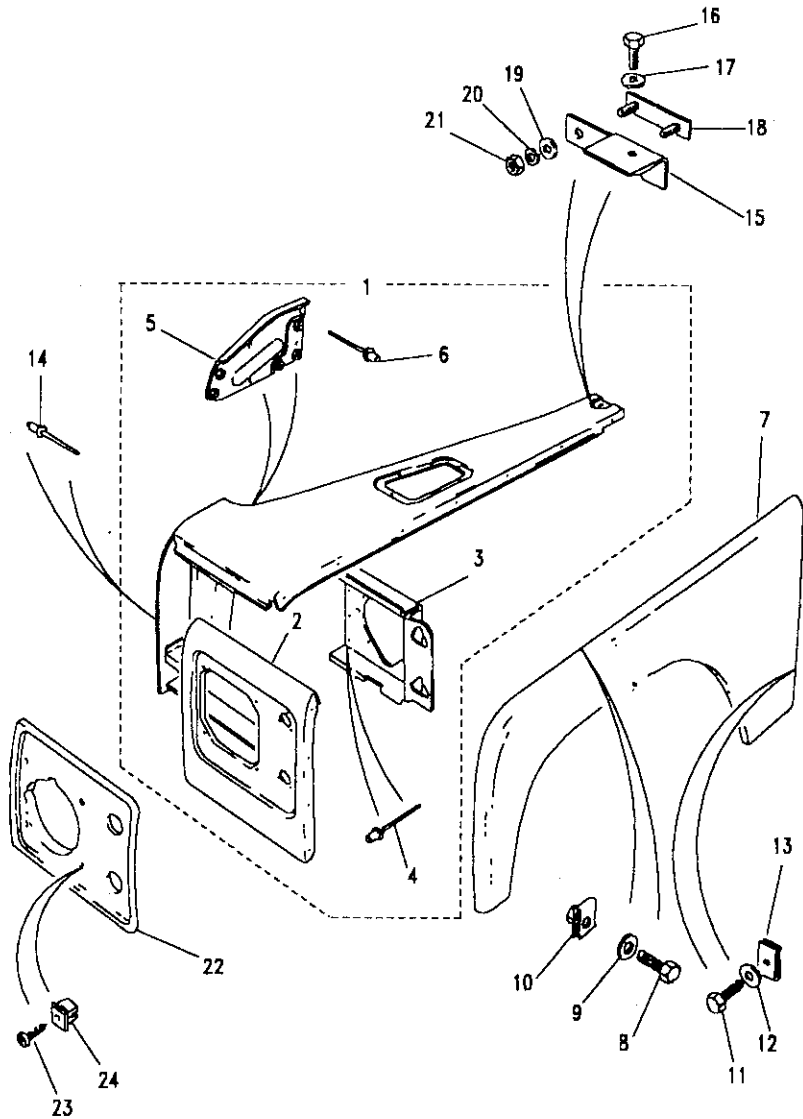


Model DEFENDER 110 1987 onwards
 Page AFNXEA1A

BODY - FRONT WINGS

III. Part No.	Description	Qty	Remarks
1 MXC9343	Wing front RH	1	Up to LA939975
ALR6842	Wing front RH	1	From MA939976
MXC9400	Wing front LH	1	Up to LA939975
ALR6843	Wing front LH	1	From MA939976
Air Con			
MXC9402	Wing front LH	1	Up to LA939975
ALR6840	Wing front LH	1	From MA939976
2 RTC6353	Panel nose RH	1)Up to
RTC6354	Panel nose LH	1)LA939975
ALR5990	Panel nose RH	1)From
ALR5989	Panel nose LH	1)MA939976
MXC2932	Screw	6	Fixing nose panel
3900L	Washer panel	6	
302532	Nut spire	6	
3 MTC2062	Panel mounting RH	1	
MTC2063	Panel mounting LH	1	
4 78248	Rivet	8	
5 MRC6051	Tie plate RH	1	
MRC6052	Tie plate LH	1	
6 78248	Rivet	8	



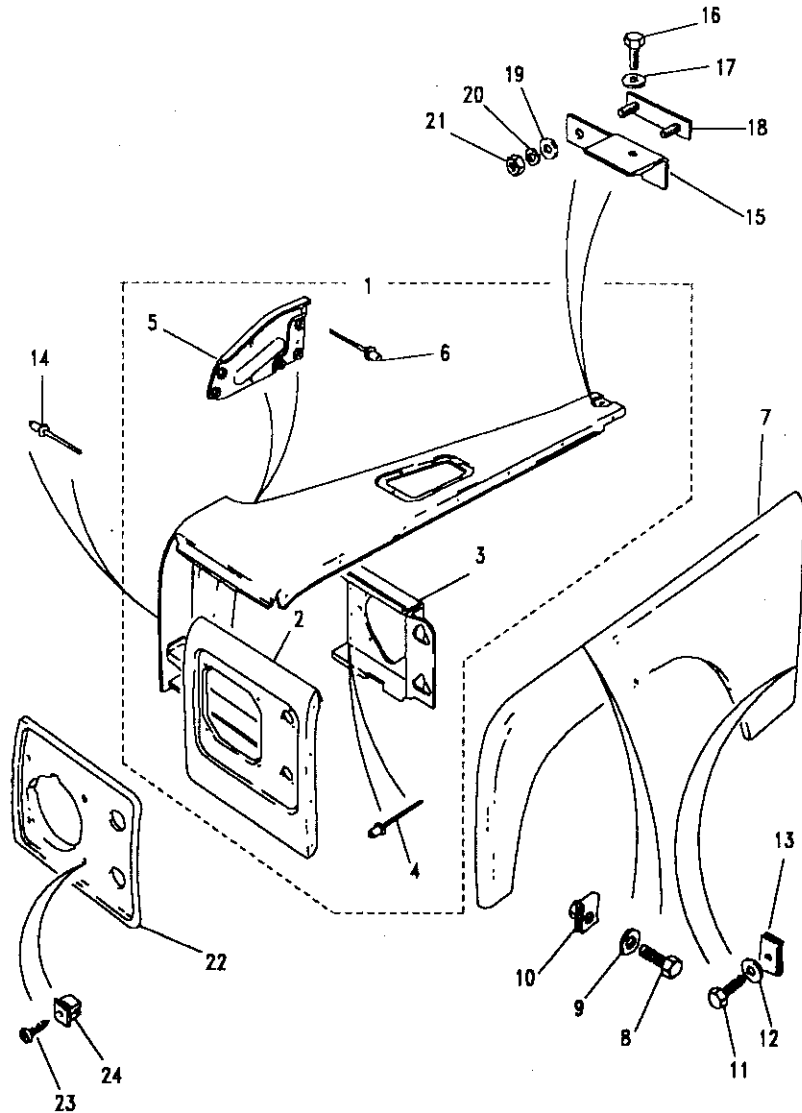


Model DEFENDER 110 1987 onwards

Page AFNXEA1A

BODY - FRONT WINGS

III. Part No.	Description	Qty	Remarks
V8 & 4 Cyl only			
7 RTC6351	Panel outer RH	1)Up to
RTC6350	Panel outer LH	1)LA939975
ALR6678	Panel outer RH	1)From
ALR6121	Panel outer LH	1)MA939976
Naturally Aspirated Diesel only			
7 RTC6351	Panel outer RH	1)Up to
RTC6352	Panel outer LH	1)LA939975
ALR6678	Panel outer RH	1)From
ALR6121	Panel outer LH	1)MA939976
200/300 TDi only			
7 RTC6351	Panel outer RH	1)Up to
RTC6350	Panel outer LH	1)LA939975
ALR6121	Panel outer LH	1)From
ALR6122	Panel outer RH	1)MA939976
8 MXC2932	Screw	22	
9 3900L	Washer plain	22	
10 302532	Nut spire	20	
AH614011L	Nut spring	2	
MUC9339	Washer fibre	4	Diesel Turbo
MUC9339	Washer fibre	4	200Tdi
11 AM605061	Bolt	8	
12 WC108051L	Washer plain	8	
13 AK616011	Nut spire	8	
14 RU612373L	Rivet	8	
Fixings - Wing to dash - Upto 321734			
15 MTC2136	Bracket support RH	1	
MRC8926	Bracket support LH	1	
16 SH106167L	Screw	2	
17 AAU9036	Washer plain	2	
18 MTC2704	Stud plate	2	
19 RTC609	Washer plain	4	
20 WM106001L	Washer spring	4	



Model DEFENDER 110 1987 onwards
Page AFNXEA1A

BODY - FRONT WINGS

III. Part No.	Description	Qty	Remarks
21 NH106041L	Nut	4	
Fixings - Wing to dash - From 321735			
FS106201L	Flange screw	2	
WL106001L	Spring Washer	2	
WM106001L	Spring Washer	2	
NN106021	Anchor Nut	2	





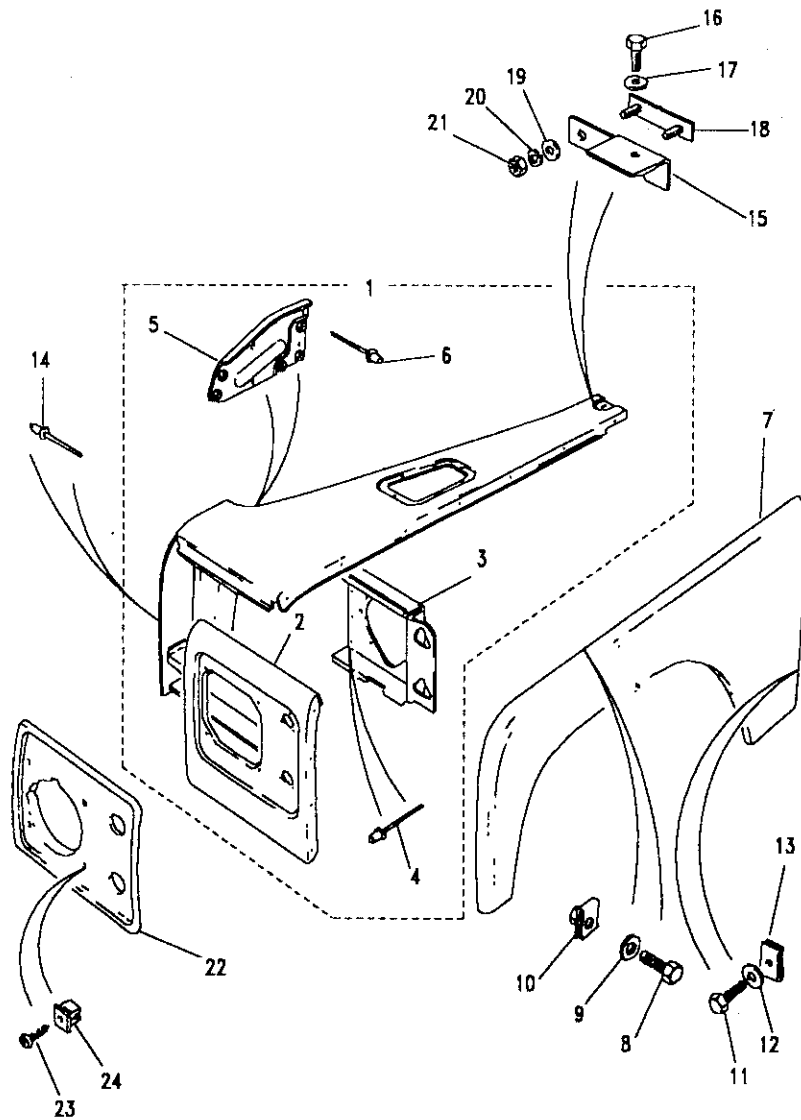
Model DEFENDER 110 1987 onwards
 Page AFNXEA1A

BODY - FRONT WINGS

III. Part No. Description Qty Remarks

Finisher headlamp surround

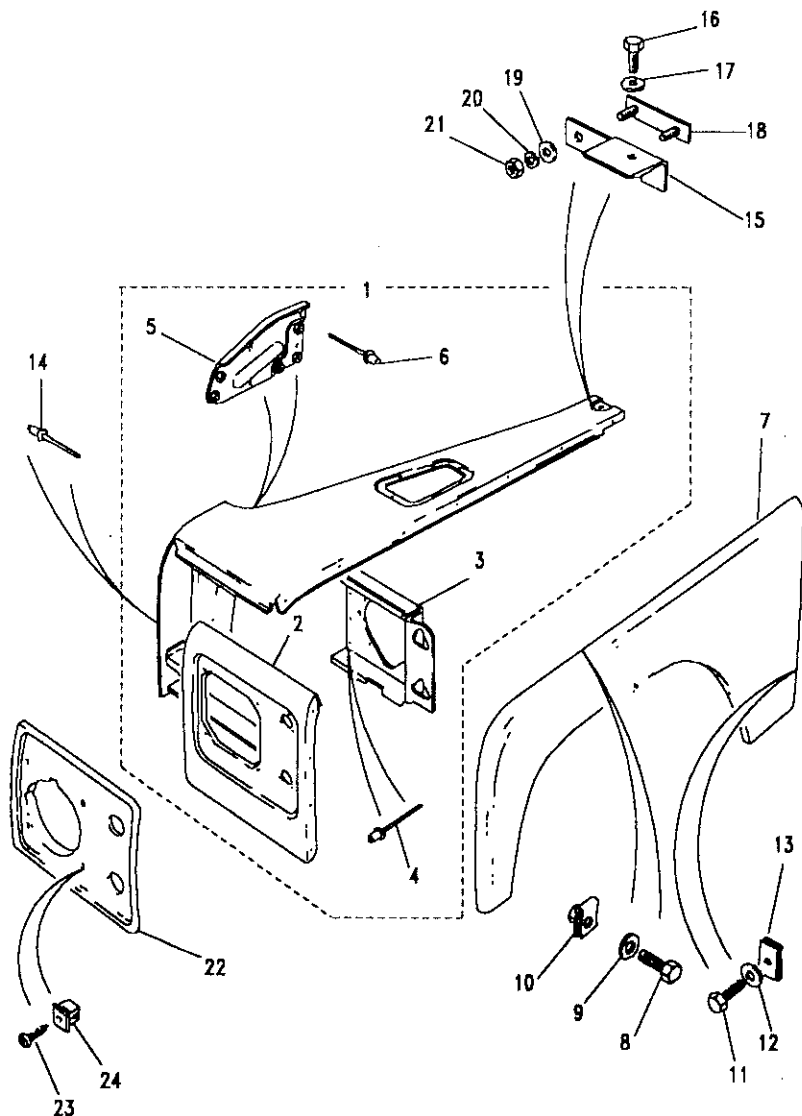
22	MTC7770	Finisher RH	1	
	MTC7769	Finisher LH	1	
	MWC8464CUF	Finisher RH	1	Arrow red
	MWC8465CUF	Finisher LH	1	Arrow red
	MWC8464HCC	Finisher RH	1	Bronze green
	MWC8465HCC	Finisher LH	1	Bronze green
	MWC8464HCN	Finisher RH	1	Trident green
	MWC8465HCN	Finisher LH	1	Trident green
	MWC8464JUG	Finisher RH	1	Shire blue
	MWC8465JUG	Finisher LH	1	Shire blue
	MWC8464LCN	Finisher RH	1	Slate grey
	MWC8465LCN	Finisher LH	1	Slate grey
	MWC8464NCM	Finisher RH	1	Ivory
	MWC8465NCM	Finisher LH	1	Ivory
	BTR7850PUC	Finisher RH	1	Black
	BTR7849PUC	Finisher LH	1	Black
	MWC8464HUJ	Finisher RH	1	Eastnor green
	MWC8465HUJ	Finisher LH	1	Eastnor green
	MWC8464SUB	Finisher RH	1	Arran beige
	MWC8465SUB	Finisher LH	1	Arran beige
	MWC8465JUH	Finisher RH	1	Pacific blue
	MWC8465JUH	Finisher LH	1	Pacific blue
	MWC8464NUC	Finisher RH	1	White
	MWC8465NUC	Finisher LH	1	White
	MWC8464LUS	Finisher RH	1	Grey
	MWC8465LUS	Finisher LH	1	Grey

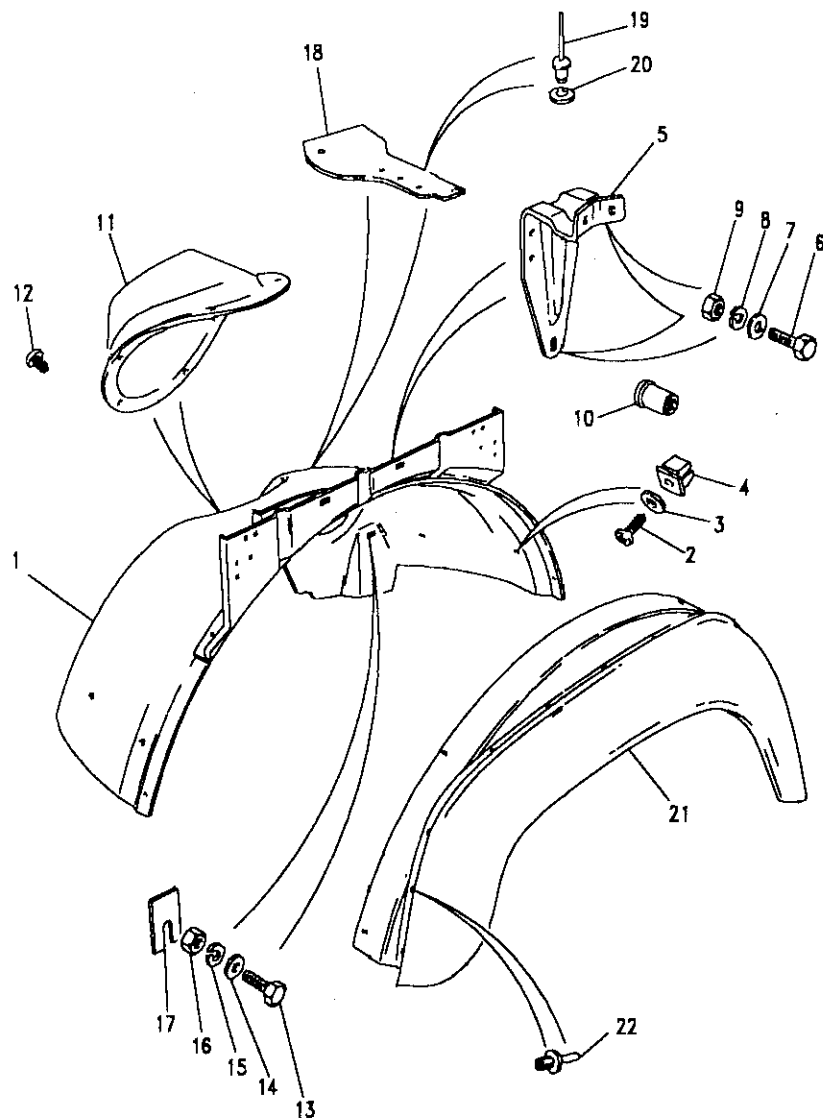


Model DEFENDER 110 1987 onwards
Page AFNXEA1A

BODY - FRONT WINGS

III. Part No.	Description	Qty	Remarks
23	AB608044L AW606084 AB608044L MWC8567 MXC1684	12 4 4 4 4)Up to)FA)From)FA)FA
24	79051 79051	12 4	Upto FA From FA
Air con			
MUC3590	Support wing	1	RHD
MUC3601	Cleat	1	RHD





Model DEFENDER 110 1987 onwards
Page AFNXEC1A

BODY - FRONT WINGS - WHEELARCH AND EYEBROW

III. Part No. Description Qty Remarks

Non air conditioning

1	ALR2261	Wheelarch RH	1	
	ALR2414	Wheelarch RH	1	200Tdi
	ALR4057	Wheelarch RH	1	300Tdi
	ALR2262	Wheelarch LH	1	
	ALR2265	Wheelarch LH	1	Diesel Turbo
	ALR2265	Wheelarch LH	1	200Tdi

Air conditioning - LHS

1	MXC4630	Wheelarch RH	1	
	ALR2415	Wheelarch RH	1	200Tdi
	ALR2262	Wheelarch LH	1	Up to LA939975
	ALR3970	Wheelarch LH	1	From MA939976
	ALR2265	Wheelarch LH	1	Diesel Turbo
	ALR2265	Wheelarch LH	1	200Tdi

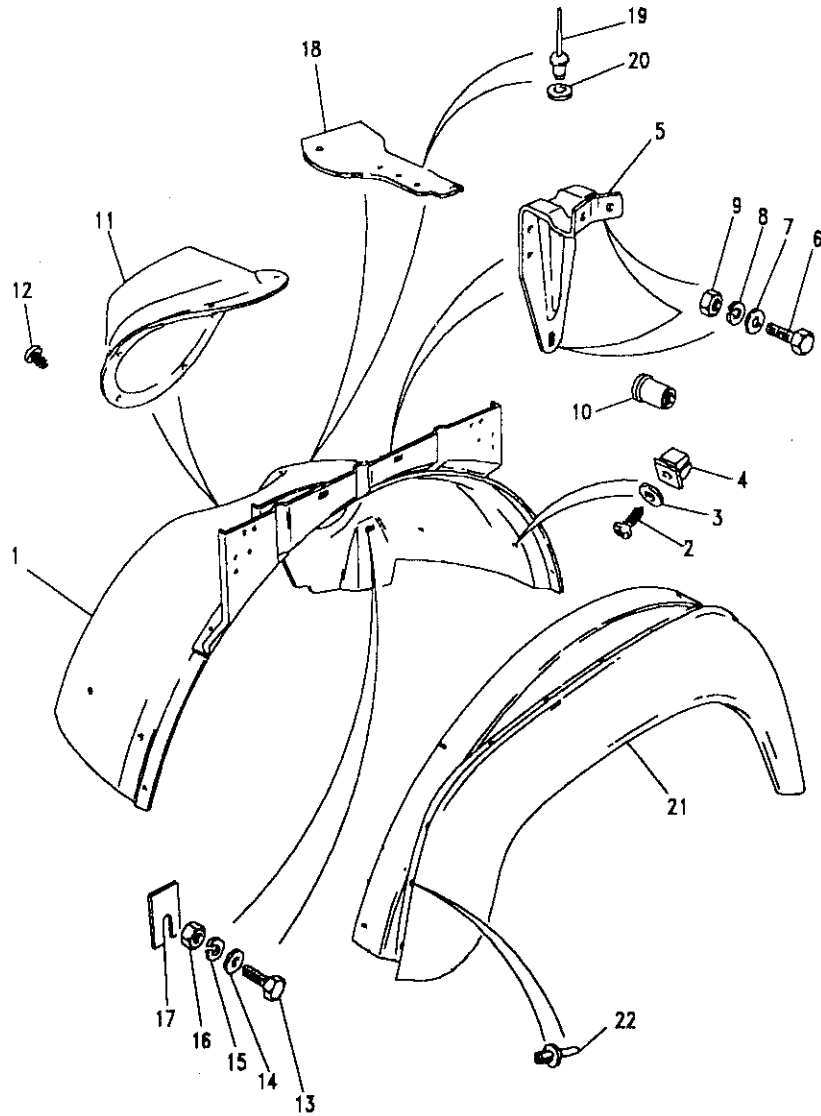
Air Conditioning - RHS

1	ALR2261	Wheelarch RH	1	
	ALR2414	Wheelarch RH	1	200Tdi
	ALR4057	Wheelarch RH	1	300Tdi
	MXC4631	Wheelarch LH	1	Up to JA909452
	ALR2264	Wheelarch LH	1	From JA909453



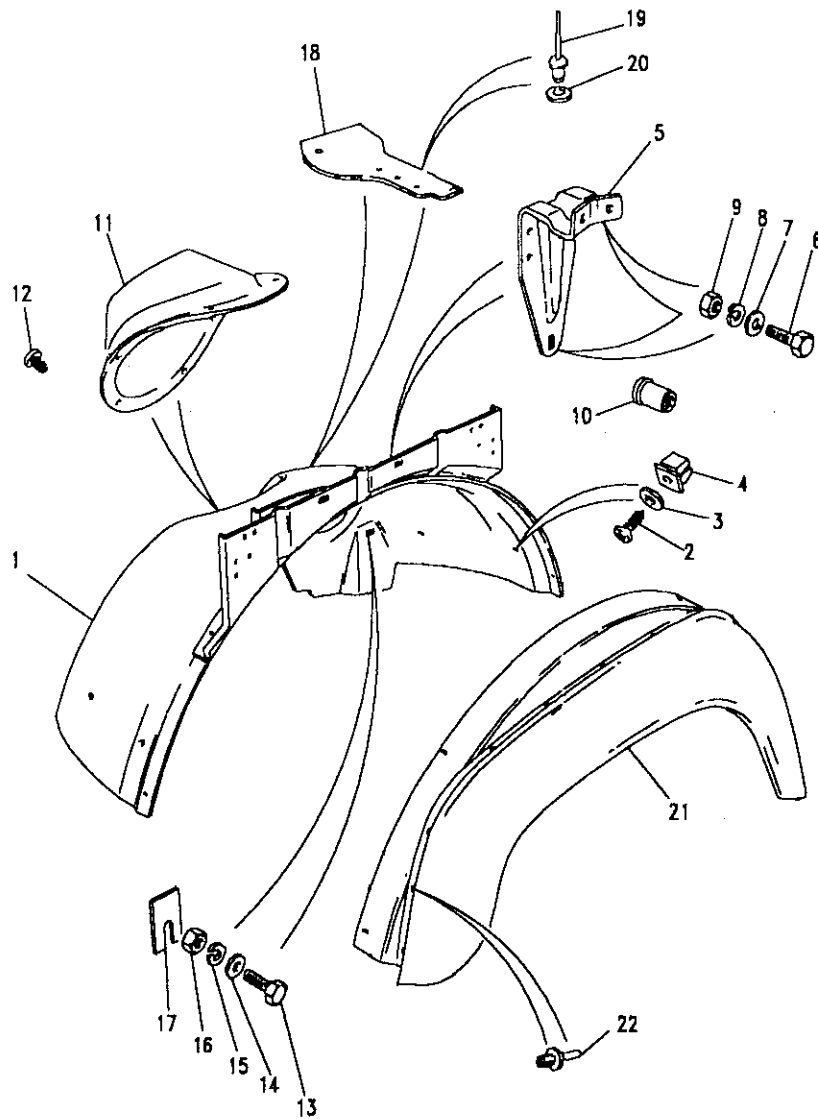
Model DEFENDER 110 1987 onwards
Page AFNXEC1A

BODY - FRONT WINGS - WHEELARCH AND EYEBROW



III. Part No.	Description	Qty	Remarks
2	AB614061L Screw	8	
3	AFU1069 Washer plain	8	
4	RTC3744 Nut lokut	8	
5	MRC9735 Stay RH	1	RHS
	MRC9734 Stay LH	1	LHS
6	FS106167L Screw	4	
7	WA106041L Washer plain	4	
8	WL106001L Washer spring	4	
9	NH106041L Nut	2	
10	NN106021 Nut anchor	2	
11	MRC9520 Cover suspension	2	
	AAU3686 Cable tie	1	From HA906232
12	AR608021L Screw	12	Upto 344771
	AR608021L Screw	11	From 344772
	AR608031L Screw	1	From 344772
13	FS108251L Screw	8	
	SH108501L Screw	4	
14	AFU1079 Washer plain	8	
15	WM600051L Washer spring	12	
16	FN108041L Nut	12	
17	MRC4037 Shim	24	





Model DEFENDER 110 1987 onwards

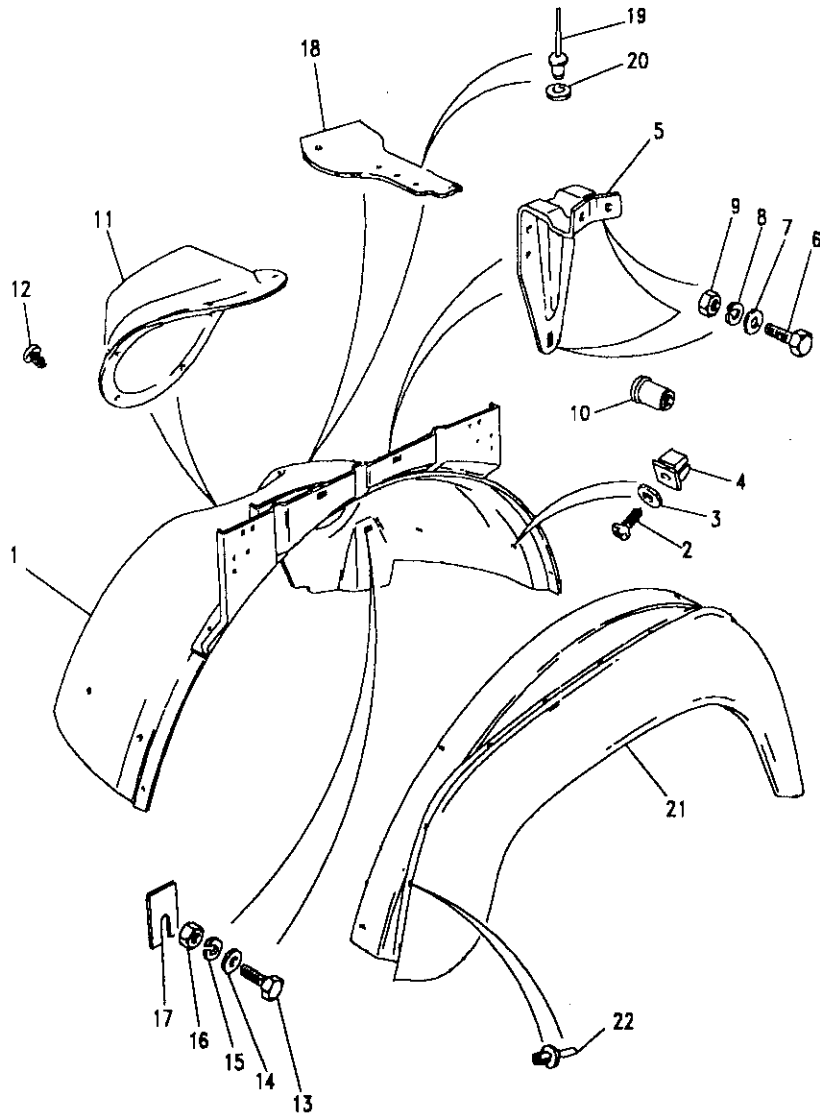
Page AFNXC1A

BODY - FRONT WINGS - WHEELARCH AND EYEBROW

Ill. Part No.	Description	Qty	Remarks
18 MUC9704	Closer inner wing	2)Diesel Turbo
19 78248	Rivet	6)
20 WA105001L	Washer plain	6)

Eyebrow moulding front wing

21 MRC9378	Eyebrow RH	1)Black
MRC9377	Moulding	1)gloss
RRC3043	Eyebrow RH	1)Black
RRC3044	Eyebrow LH	1)matt
MTC6874AA	Eyebrow RH	1	Arizona tan
MTC6875AA	Eyebrow LH	1	Arizona tan
MTC6874CL	Eyebrow RH	1	Venetian red
MTC6875CL	Eyebrow LH	1	Venetian red
MTC6874HC	Eyebrow RH	1	Bronze green
MTC6875HC	Eyebrow LH	1	Bronze green
MTC6874HN	Eyebrow RH	1	Trident green
MTC6875HN	Eyebrow LH	1	Trident green
MTC6874JC	Eyebrow RH	1	Marine blue
MTC6875JC	Eyebrow LH	1	Marine blue
MTC6874JP	Eyebrow RH	1	Stratos blue
MTC6875JP	Eyebrow LH	1	Stratos blue
MTC6874LN	Eyebrow RH	1	Slate grey
MTC6875LN	Eyebrow LH	1	Slate grey
MTC6874NM	Eyebrow RH	1	Ivory
MTC6875NM	Eyebrow LH	1	Ivory
MTC6874CUF	Eyebrow RH	1	Arrow red
MTC6875CUF	Eyebrow LH	1	Arrow red



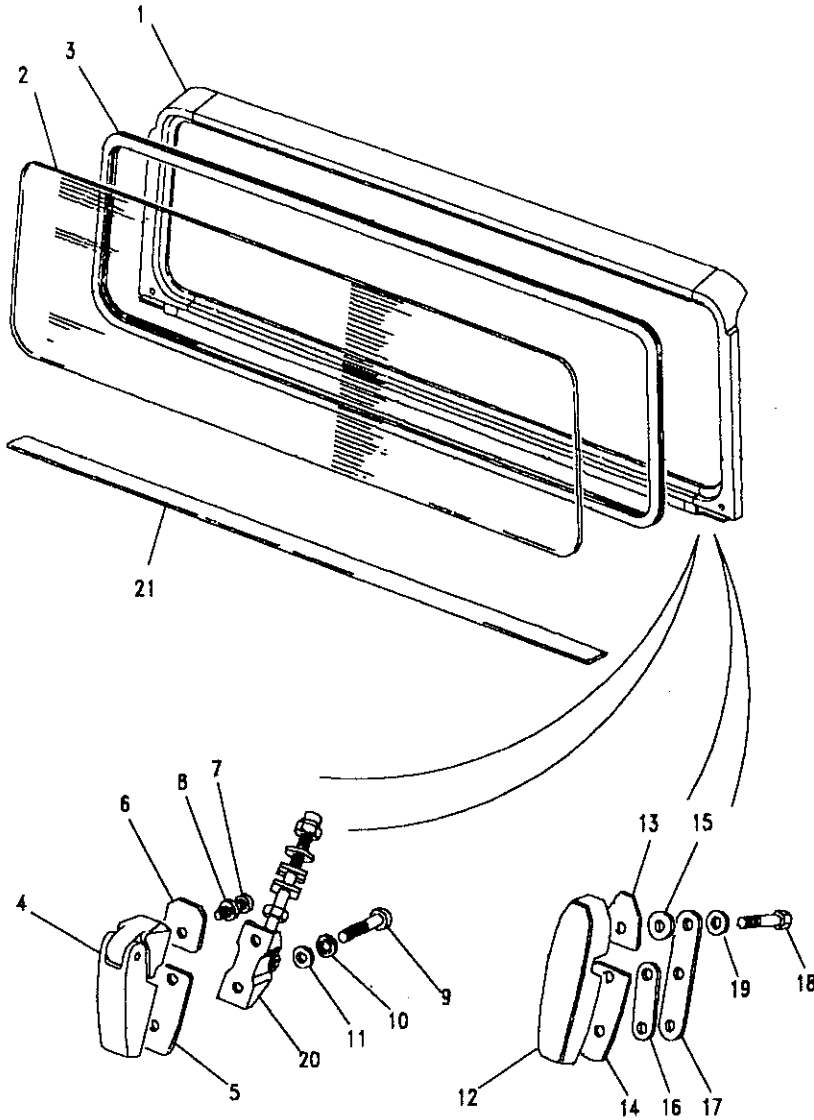
Model DEFENDER 110 1987 onwards
 Page AFNXC1A

BODY - FRONT WINGS - WHEELARCH AND EYEBROW

III. Part No.	Description	Qty	Remarks
MTC6874JUG	Eyebrow RH	1	Shire blue
MTC6875JUG	Eyebrow LH	1	Shire blue
MTC6874HUJ	Eyebrow RH	1	Eastnor green
MTC6875HUJ	Eyebrow LH	1	Eastnor green
MTC6874SUB	Eyebrow RH	1	Arran beige
MTC6875SUB	Eyebrow LH	1	Arran beige
MTC6874JUH	Eyebrow RH	1	Pacific blue
MTC6875JUH	Eyebrow LH	1	Pacific blue
MTC6874NUC	Eyebrow RH	1	White
MTC6875NUC	Eyebrow LH	1	White
MTC6874LUS	Eyebrow RH	1	Grey
MTC6875LUS	Eyebrow LH	1	Grey
MTC6874CUH	Eyebrow RH	1	County red
MTC6875CUH	Eyebrow LH	1	County red
MTC6874HUL	Eyebrow RH	1	County green
MTC6875HUL	Eyebrow LH	1	County green
MTC6874PUE	Eyebrow RH	1	County black
MTC6875PUE	Eyebrow LH	1	County black
MTC6874CUY	Eyebrow RH	1	Montpelier red
MTC6875CUY	Eyebrow LH	1	Montpelier red
MTC6874HYE	Eyebrow RH	1	Coniston green
MTC6875HYE	Eyebrow LH	1	Coniston green
22 AFU1075	Rivet plastic	32	

Note(1) Rear eyebrows see page 874 - 875



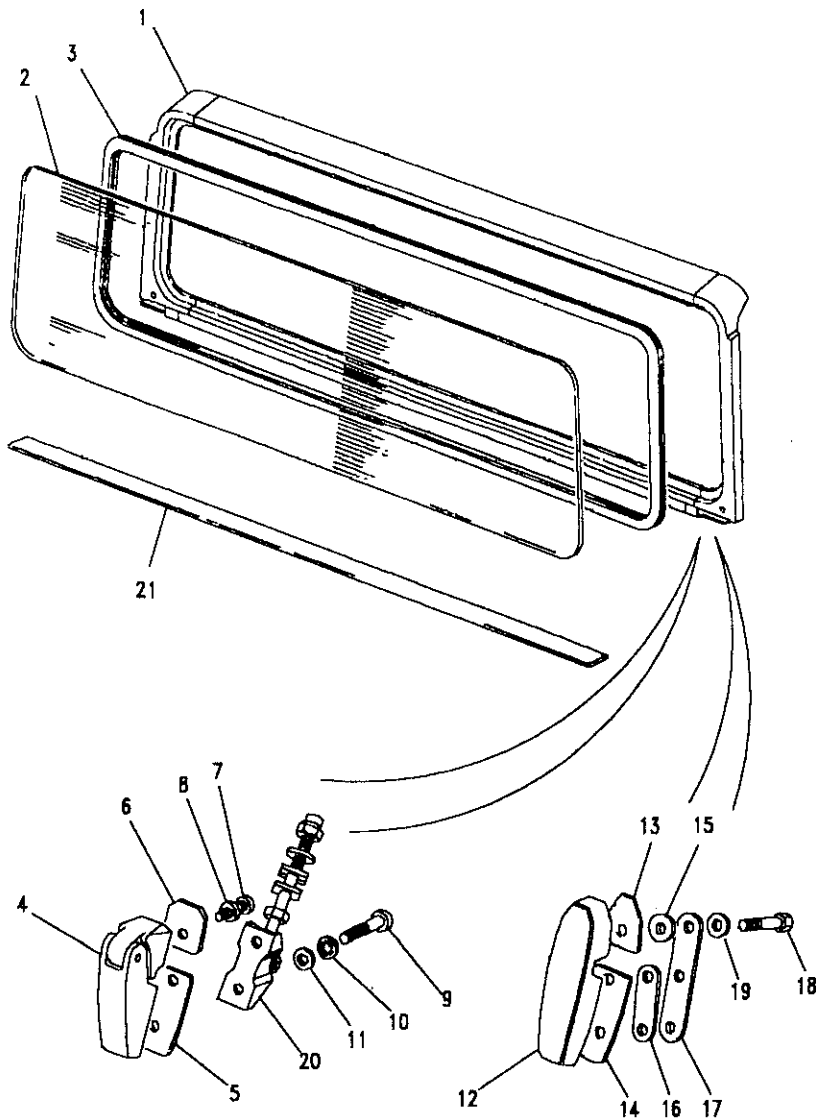


Model DEFENDER 110 1987 onwards
Page AFNXFA1A

BODY - WINDSCREEN

III. Part No.	Description	Qty	Remarks
1	MUC2594	1	Windscreen frame
2	MTC3452	1	Glass laminated tint
	MTC2864	1	Glass laminated clear
	MTC2863	1	Glass toughened clear
3	MUC3733	1	Glazing rubber
Upto JA912388			
4	MXC7847	1	Hinge LH
	MXC7846	1	Hinge RH
5	MXC9982	2	Gasket
6	MUC7904	2	Gasket
	MXC9983	2	Gasket
7	SE110401	2	Screw
8	MUC3906	2	Washer nylon
9	SS108404	4	Screw
10	WF108004L	4	Washer shakeproof
11	WA108051L	4	Washer plain
			Upto HA466878
			From HA466879
			NLA





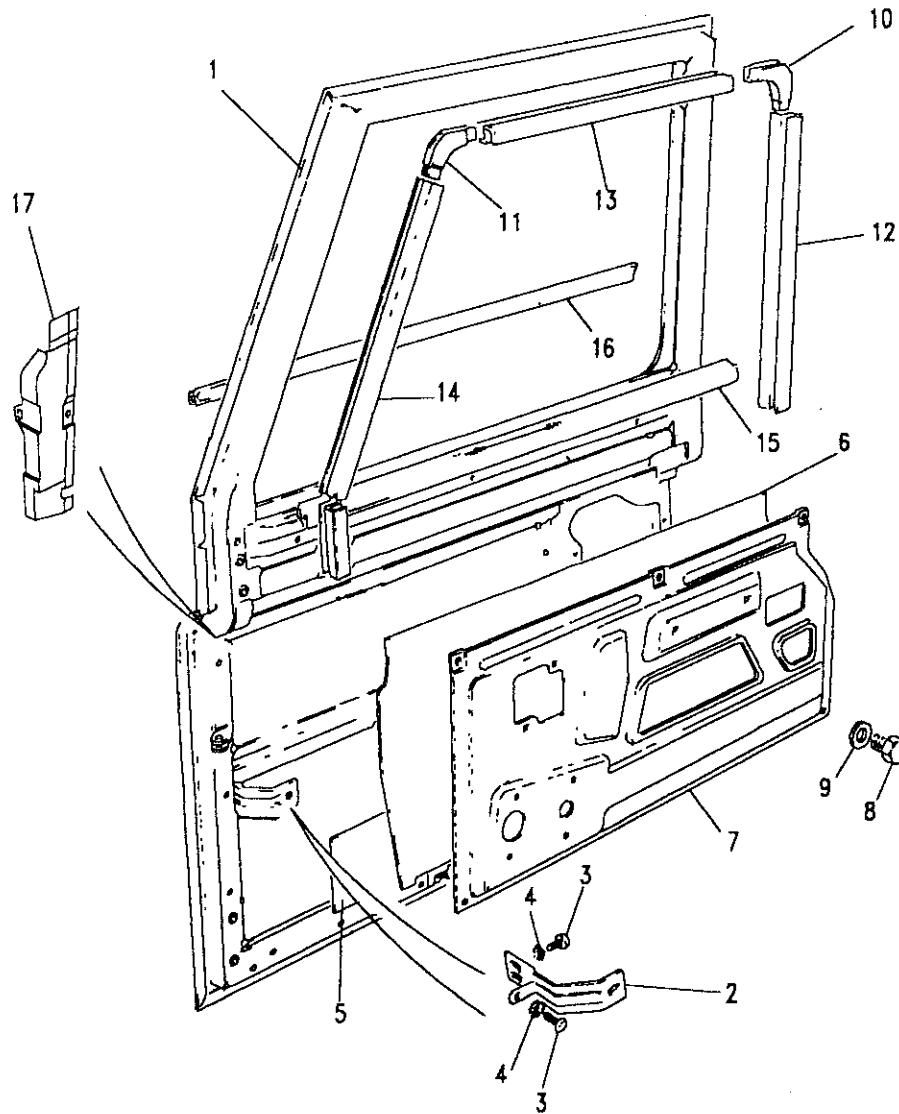
Model DEFENDER 110 1987 onwards

Page AFNXFA1A

BODY - WINDSCREEN

III. Part No.	Description	Qty	Remarks
From JA912389			
12 MUC7911	Bracket windscreen RH	1	
MUC7912	Bracket windscreen LH	1	
13 MXC9982	Gasket lower	2	
14 MXC9983	Gasket upper	2	
15 MUC7907	Washer packing	2	
16 MUC4289	Packing piece	2	
17 MUC4290	Strap	2	
18 FB108101	Bolt	6	
19 WA108051L	Washer plain	6	
20 RTC6159	Clamp	2	
21 ALR1737	Seal	1	Upto KA925389
ALR5058	Seal windscreen	1	From KA925390

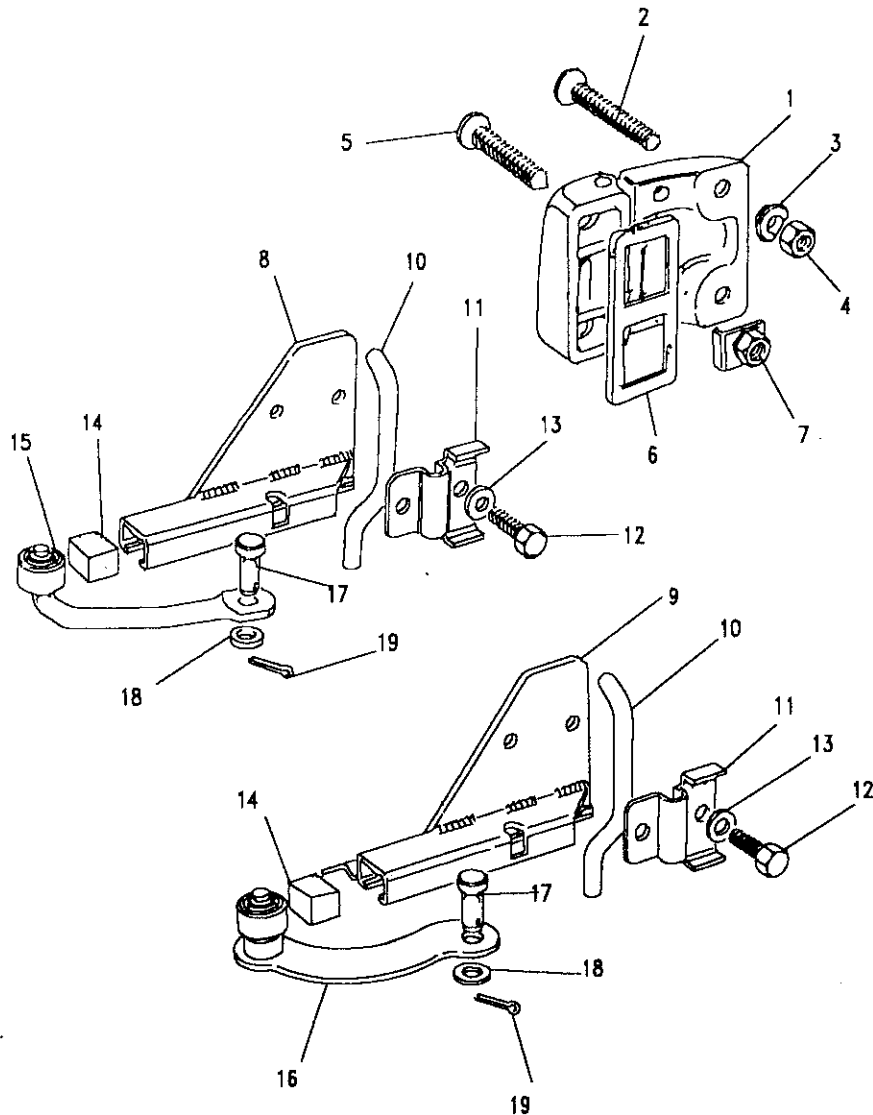




Model DEFENDER 110 1987 onwards
Page AFNXGA1A

BODY - FRONT DOOR CLINCHED ASSEMBLY

Ill. Part No.	Description	Qty	Remarks
1	MXC7958	1)Up to
	MXC7959	1)LA933876
	ALR6256	1)From
	ALR6257	1)LA933877
	ALR1800	1	
	ALR1801	1	
2	MWC8223	2	
	SE106161L	4	
4	WE106001L	4	
5	MTC5463	2	
6	MWC3293	2	
7	MWC8270	1)Upto
	MWC8271	1)LA932486
	ALR4541	1)From
	ALR4540	1)LA932487
8	SH106101L	10	
9	WA106041L	10	
10	201235	2	
11	201647	2	
12	MUC1651	2	
13	MUC1652	2	
14	MUC1730	1	
	MUC1731	1	
15	MTC8473	2	
16	MTC8474	2	Up to LA937709
	ALR5980	2	From LA937710
17	MXC7570	1	From FA429397
	MXC7571	1	From FA429397



Model DEFENDER 110 1987 onwards

Page AFNXGA2A

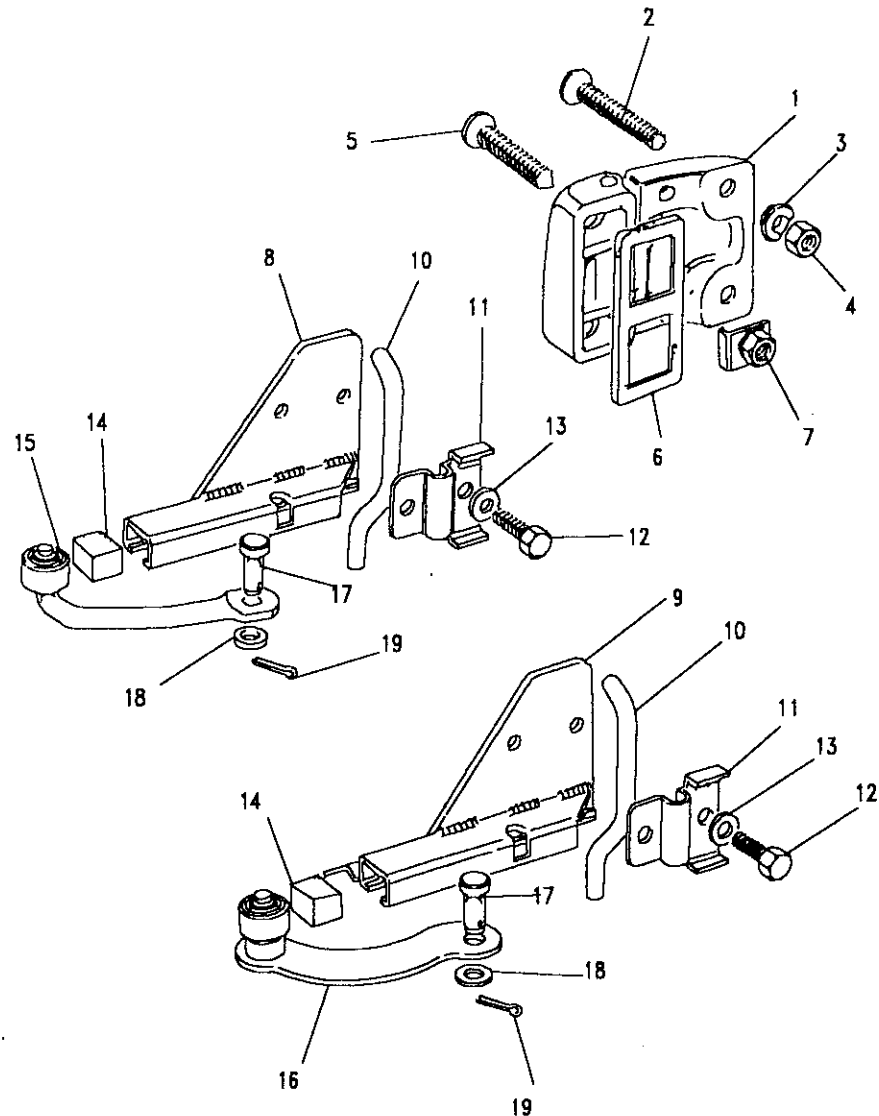
BODY - FRONT DOOR - HINGES AND DOOR CHECK

III. Part No.	Description	Qty	Remarks
1	MXC8284	1	Hinge door upper RH
	MXC8285	1	Hinge door upper LH
	MXC8282	1	Hinge door lower RH
	MXC8283	1	Hinge door lower LH
Fixings - Hinge to door			
2	MRC2762	8	Screw
	MWC1899	8	Screw
	MWC1898	4	Packing piece
3	MRC1980	8	Washer nylon
4	NH605041L	8	Nut
Fixings - Hinge to body			
5	79221	8	Screw
6	347369	4	Washer seating
7	MRC2178	8	J nut
Two hole fixing			
8	MUC6164	1	Channel checkstrap RH
	MUC6163	1	Channel checkstrap LH
)Upto 303449
Three hole fixing			
9	MWC5018	1	Channel checkstrap RH
	MWC5019	1	Channel checkstrap LH
)From 303450

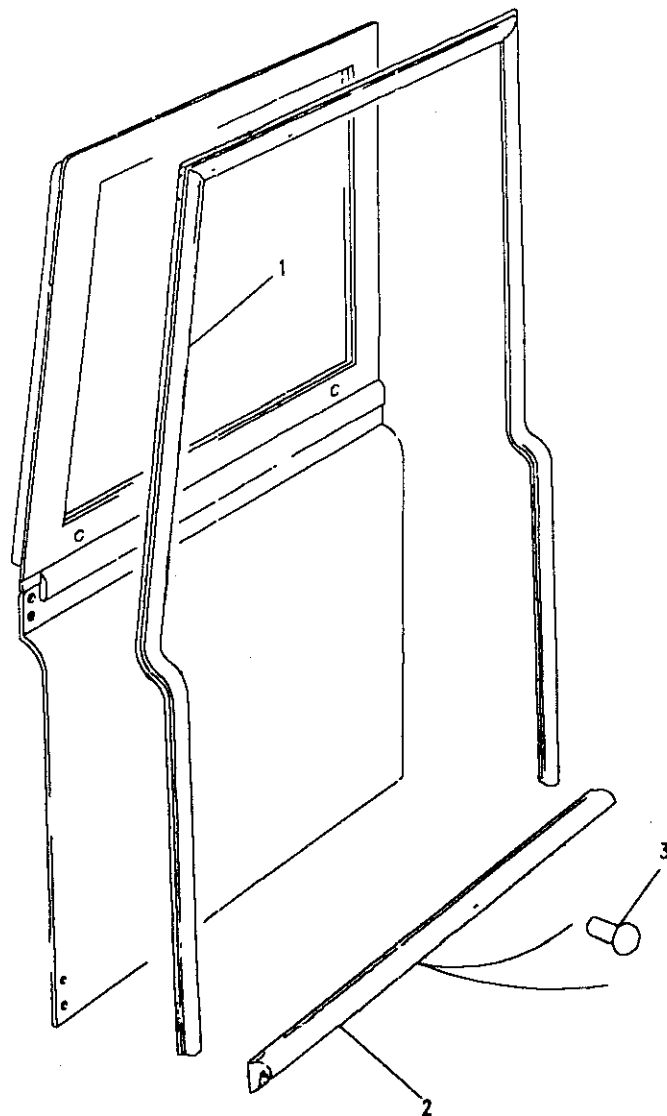


Model DEFENDER 110 1987 onwards
Page AFNXGA2A

BODY - FRONT DOOR - HINGES AND DOOR CHECK



III. Part No.	Description	Qty	Remarks
10 ALR2318	Torsion Bar RH	1	
MUC6159	Torsion Bar LH	1	Upto HA906550
ALR2319	Torsion Bar LH	1	From HA906551
11 MUC6157	Bracket pivot	2	
12 SH106301L	Screw	4	
13 WA106041L	Washer plain	4	
14 MWC5759	Buffer rubber	1	
Rod type			
15 MUC1888	Checklink RH	1)Up to
MUC1889	Checklink LH	1)303449
Plate type			
16 ALR2321	Checklink RH	1)From
ALR2322	Checklink LH	1)303450
17 306564	Pin clevis	2	Upto 303449
PC108321L	Pin clevis	2	From 303450
18 WA108051L	Washer plain	2	
302373	Washer rubber	2	
19 2393	Pin split	2	Upto HA455595
NTC6195	R clip	2	From HA455596



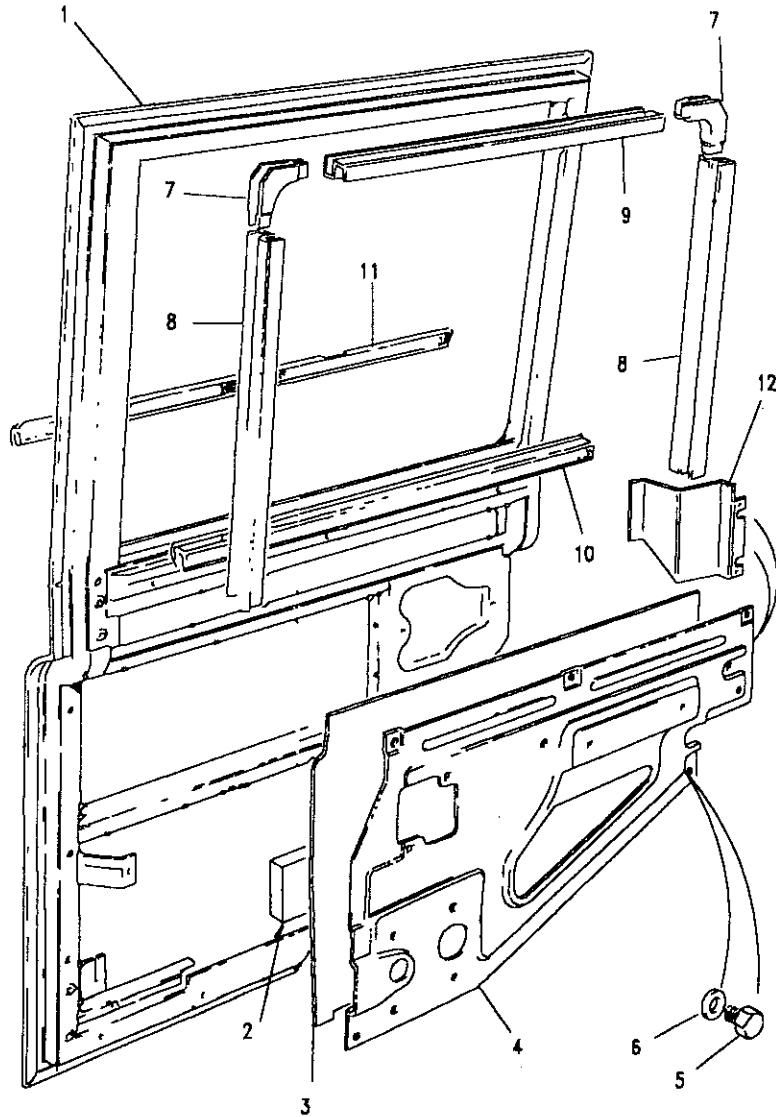
Model DEFENDER 110 1987 onwards
Page AFNXGA3A

BODY - FRONT DOOR - SEALS

III. Part No.	Description	Qty	Remarks
1 MWC1080	Door seal front RH	1)
MWC1081	Door seal front LH	1)Note(1)
ALR4936	Door seal front RH	1)
ALR4937	Door seal front LH	1)Note(2)
2 MWC6130	Sill Seal	2	Note(1)
ALR6250	Sill seal	2	Note(2)
3 78248	Rivet	18	Note(1)
ALR6280	Rivet	20	Note(2)

Note(1) Up to LA933876
Note(2) From LA933877

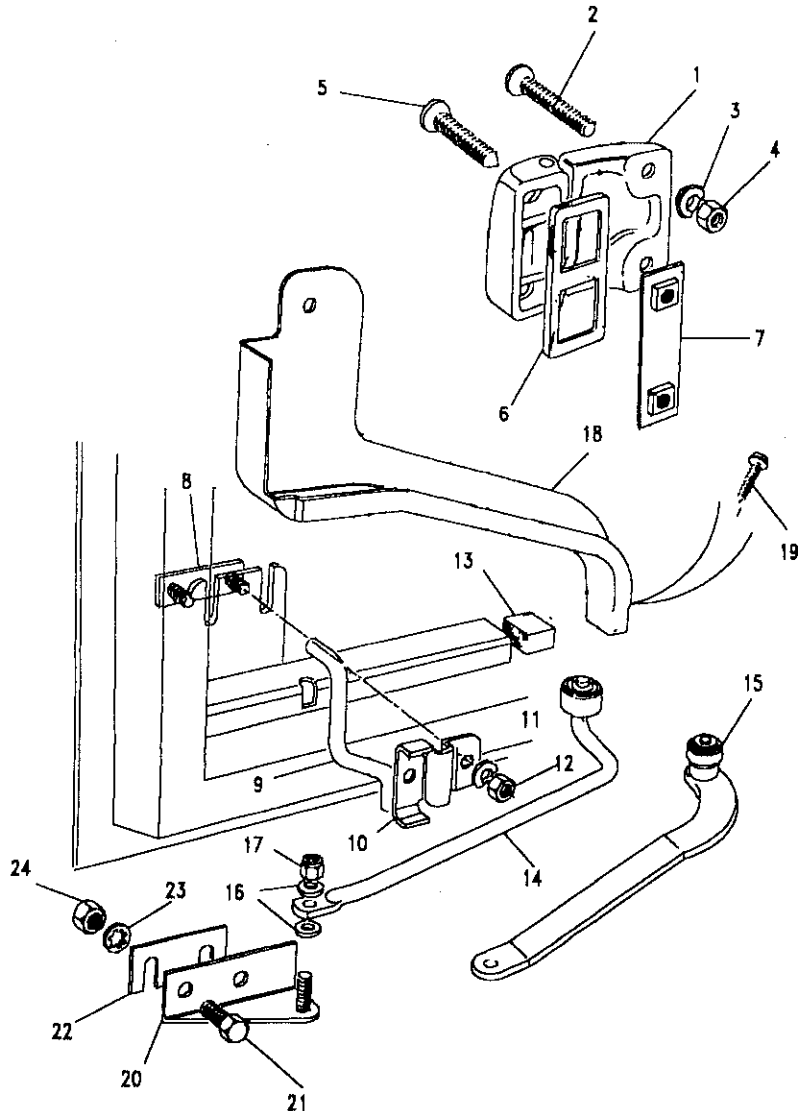




Model DEFENDER 110 1987 onwards
Page AFNXG11A

BODY - REAR SIDE DOOR CLINCHED ASSEMBLY

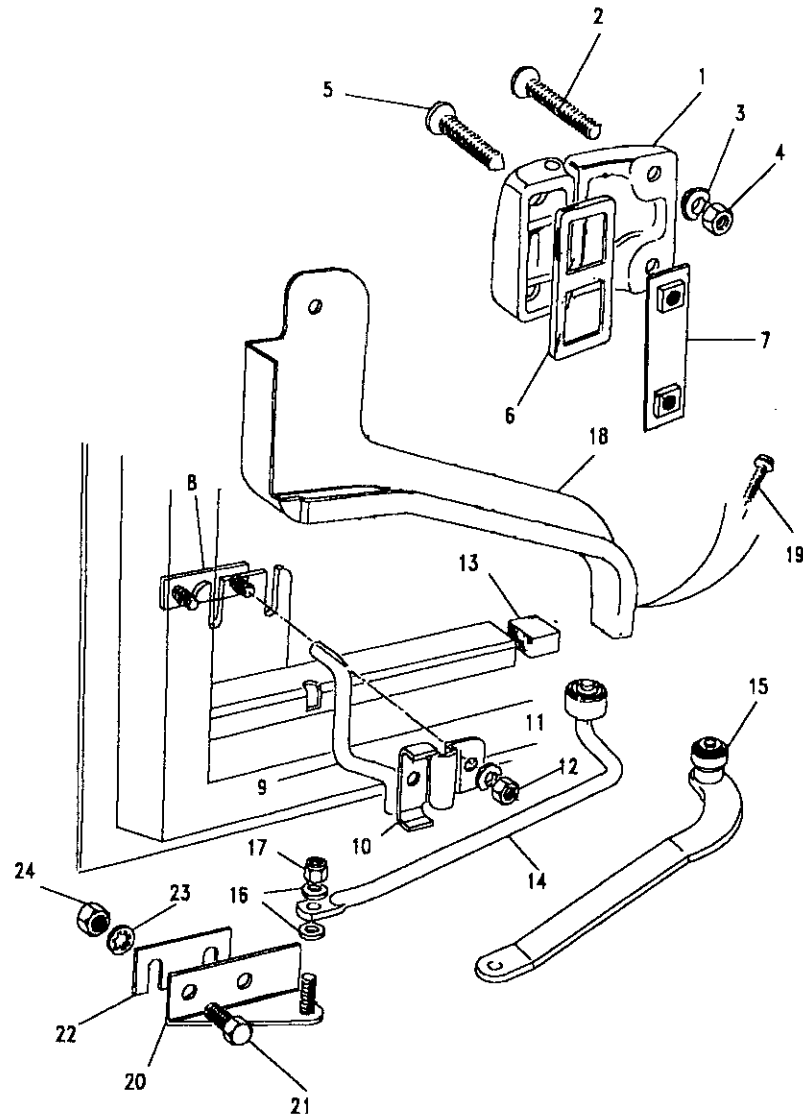
III. Part No.	Description	Qty	Remarks
1	MXC5194	1)Up to
	MXC5195	1)LA933876
	ALR6258	1)From
	ALR6259	1)LA933877
2	392743	2	
3	MWC3294	2	
4	MWC1602	1)up to
	MWC1603	1)in EA
	RTC6238	1)From EA upto
	RTC6239	1)LA932486
	ALR4543	1)From
	ALR4542	1)LA932487
5	FS106167L	10	
6	WA106041L	10	
7	201235	4	
8	MUC1651	4	
9	MTC8788	1	
	MTC8789	1	
10	MUC1322	1	
11	MUC1604	1)Up to
	MUC1605	1)LA937709
	ALR5982	1)From
	ALR5981	1)LA937710
12	MWC4412	1	
	MWC4413	1	



Model DEFENDER 110 1987 onwards
 Page AFNXGI2A

BODY - REAR SIDE DOOR - HINGES AND DOORCHECK

III. Part No.	Description	Qty	Remarks
1	MXC8282 MXC8283	2 2	Hinge door RH Hinge door LH
Fixings - Hinge to door			
2	MRC2762	8	Screw
	MWC1899	8	Screw)Alternative
	MWC1898	4	Packing piece)fixings
3	MRC1980	8	Washer nylon
4	NH605041L	8	Nut
Fixings - Hinge to body			
5	AFU1036	8	Screw
	MXC1436	4	Screw (upper))Alternative
	AFU1036	4	Screw (lower))Fixings
6	347369	4	Washer seating
7	MUC9110	4	Nut plate
8	MUC1961	2	Bolt plate
9	ALR2318	1	Torsion bar RH
	MUC6159	1	Torsion Bar LH
	ALR2319	1	Torsion Bar LH
			Upto JA906550
			From JA906551



Model DEFENDER 110 1987 onwards
Page AFNXGI2A

BODY - REAR SIDE DOOR - HINGES AND DOORCHECK

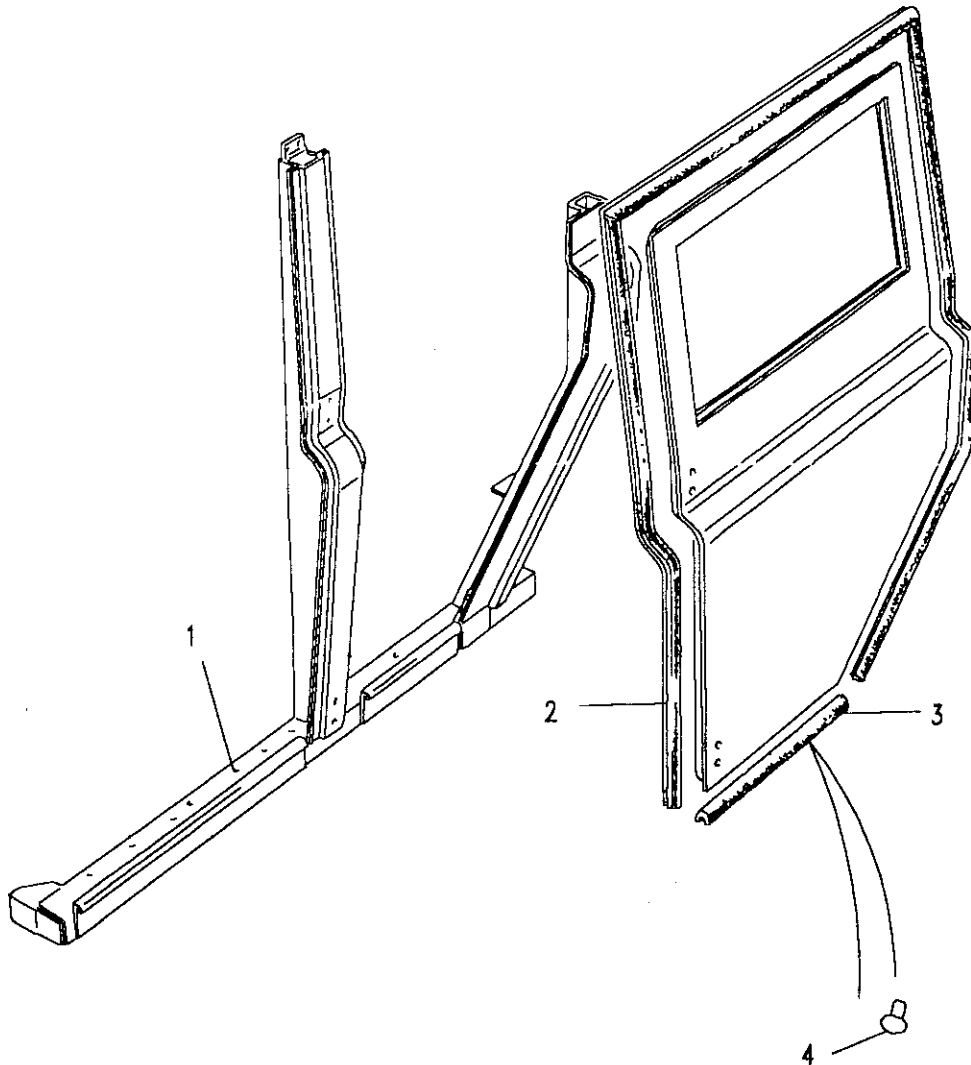
Ill. Part No.	Description	Qty	Remarks
10 MUC6157	Bracket pivot	2	Note(1)
MWC6450	Bracket pivot	2	Note(2)
11 WA106041L	Washer plain	4	
12 NH106041L	Nut	4	
13 306295	Buffer rubber	2	Note(1)
MWC6291	Buffer rubber	2	Note(2)
Rod type			
14 MWC1838	Checklink RH	1)
MWC1837	Checklink LH	1)Note(1)
Plate type			
15 MWC5742	Checklink RH	1)
MWC5741	Checklink LH	1)Note(2)
16 AFU1262	Washer plain	4	
17 NY106041L	Nut	2	
18 MXC9586	Panel waterdam RH	1	
MXC9587	Panel waterdam LH	1	
19 MUC3394	Screw	2	
20 MRC4753	Bracket checklink RH	1	
MRC4754	Bracket checklink LH	1	
21 FS108251L	Screw	4	
22 305232	Shim	4	
23 WF108001L	Washer shakeproof	4	
24 FN108041L	Nut	4	

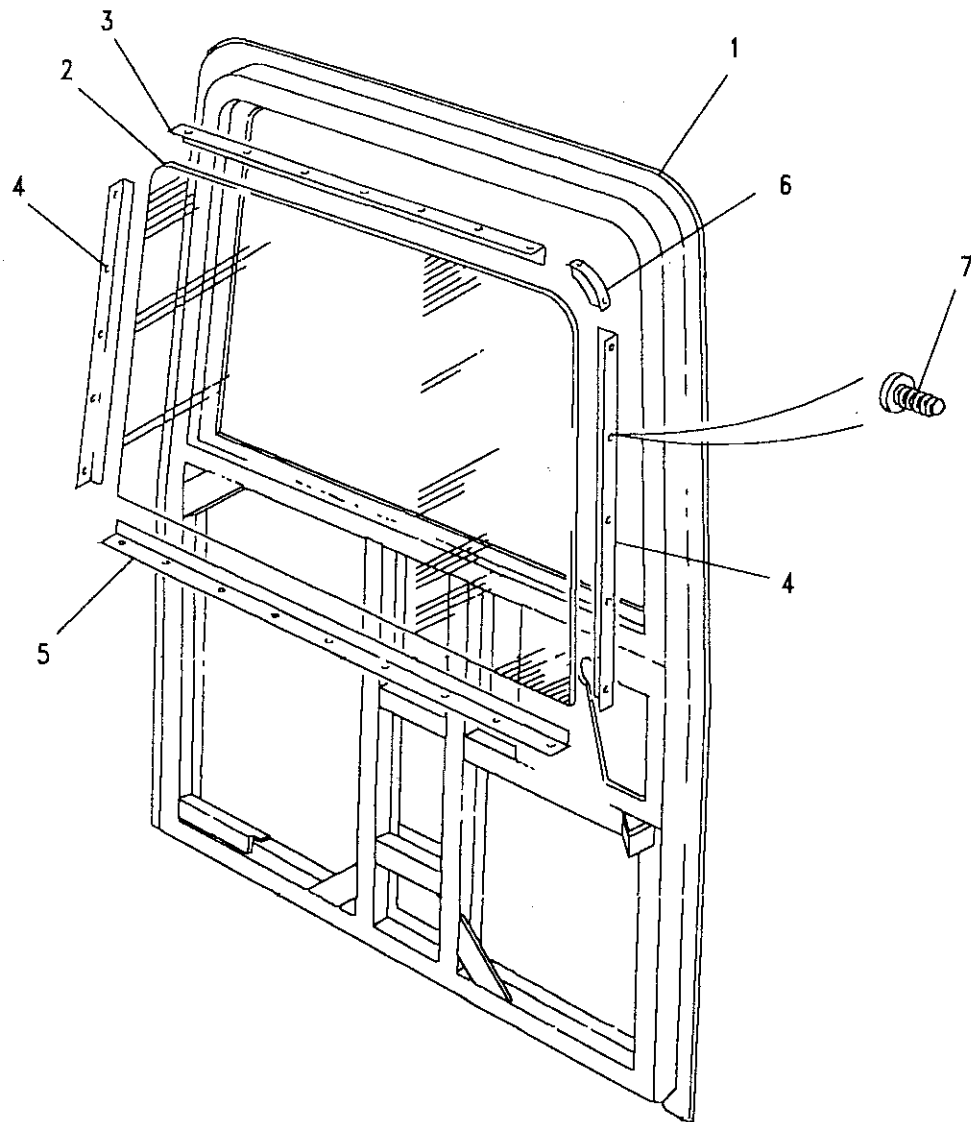
Note(1) Up to DA314368
 Note(2) From EA314369

Model DEFENDER 110 1987 onwards
Page AFNXGK1A

BODY - REAR SIDE DOOR - FRAME AND SEALS

III. Part No.	Description	Qty	Remarks
1 MWC3336	Frame side RH	1	Upto KA924784
ALR5308	Frame side RH	1	From KA924785
MWC3337	Frame side LH	1	Upto KA924784
ALR5309	Frame side LH	1	From KA924785
2 MWC1082	Seal rear side door RH	1)Up to
MWC1083	Seal rear side door LH	1)LA935726
ALR4938	Seal rear side door RH	1)From
ALR4939	Seal rear side door LH	1)LA935727
3 MWC6128	Seal sill RH	1)Up to
MWC6129	Seal sill LH	1)LA933876
ALR6251	Seal sill	2	From LA933877
4 RT612283	Rivet	8	
Defender 130 - Crew Cab			
RRC6254	Frame side RH	1	Upto KA924784
ALR5312	Frame side RH	1	From KA924785
RRC6253	Frame side LH	1	Upto KA924784
ALR5313	Frame side LH	1	From KA924785





Model DEFENDER 110 1987 onwards
Page AFNXGM1A

BODY - REAR END DOOR

Ill. Part No.	Description	Qty	Remarks
With pierced panel (for spare wheel carrier)			
1	RTC6266	1	Upto EA358790
	STC1423	1	From FA358791
			Upto KA929577
	STC1470	1	From KA929578
			Up to LA939975
	ALR6851	1	From MA939976
With plain panel			
1	STC1424	1	From EA358790
			Upto KA929577
	STC1471	1	From KA929578
			Up to LA939975
	ALR6852	1	From MA939976
All variants			
2	MTC3469	1	Glass clear
	MWC4712	1	Glass clear
	MTC3470	1	Glass sundym
	MTC8951	1	Glass sundym heated
	MWC4713	1	Glass sundym heated
	78159	A/R	Glazing strip

Note(1) 5mm glass - Upto VIN 342383 Hard Top,VIN 344754 Station Wagon
 Note(2) 4mm glass - From VIN 342384 Hard Top,VIN 344755 Station Wagon



DEFENDER 110 1987 onwards

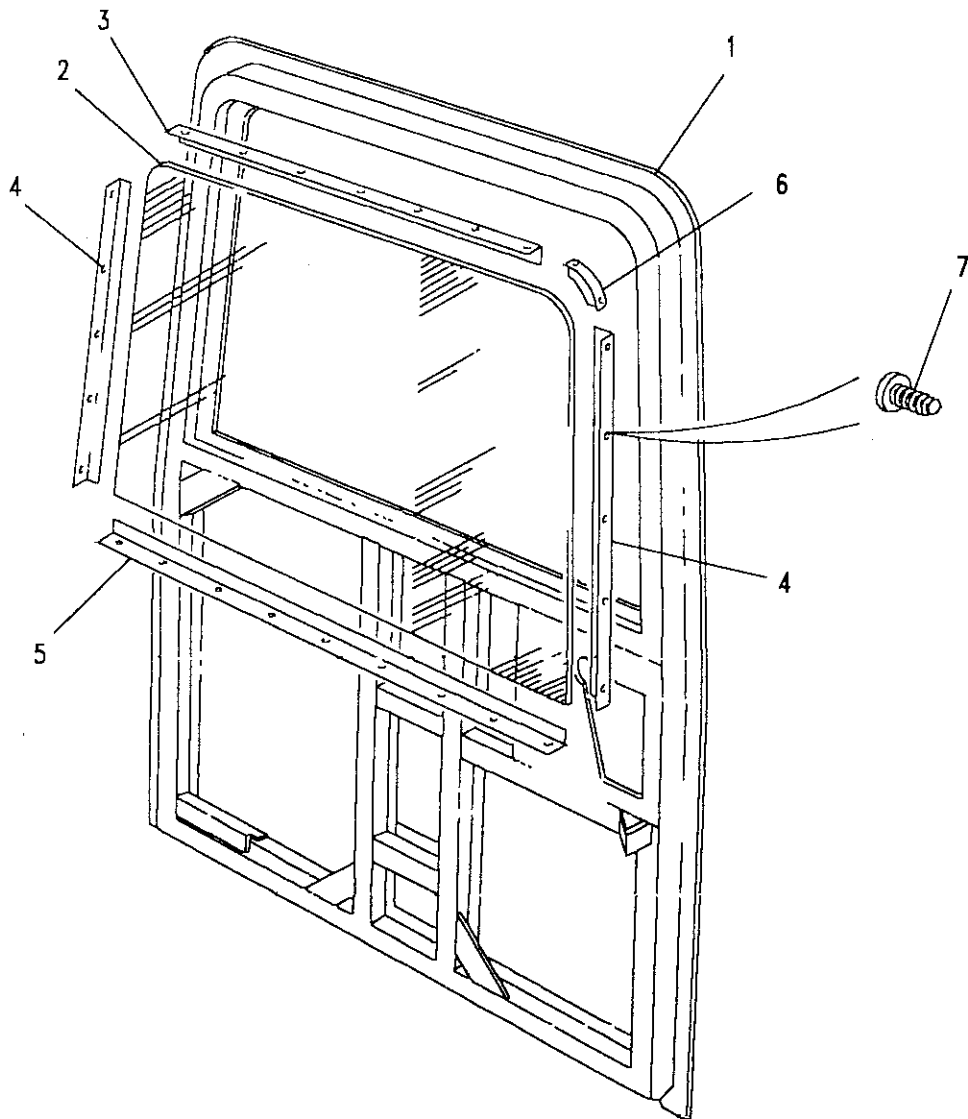
797

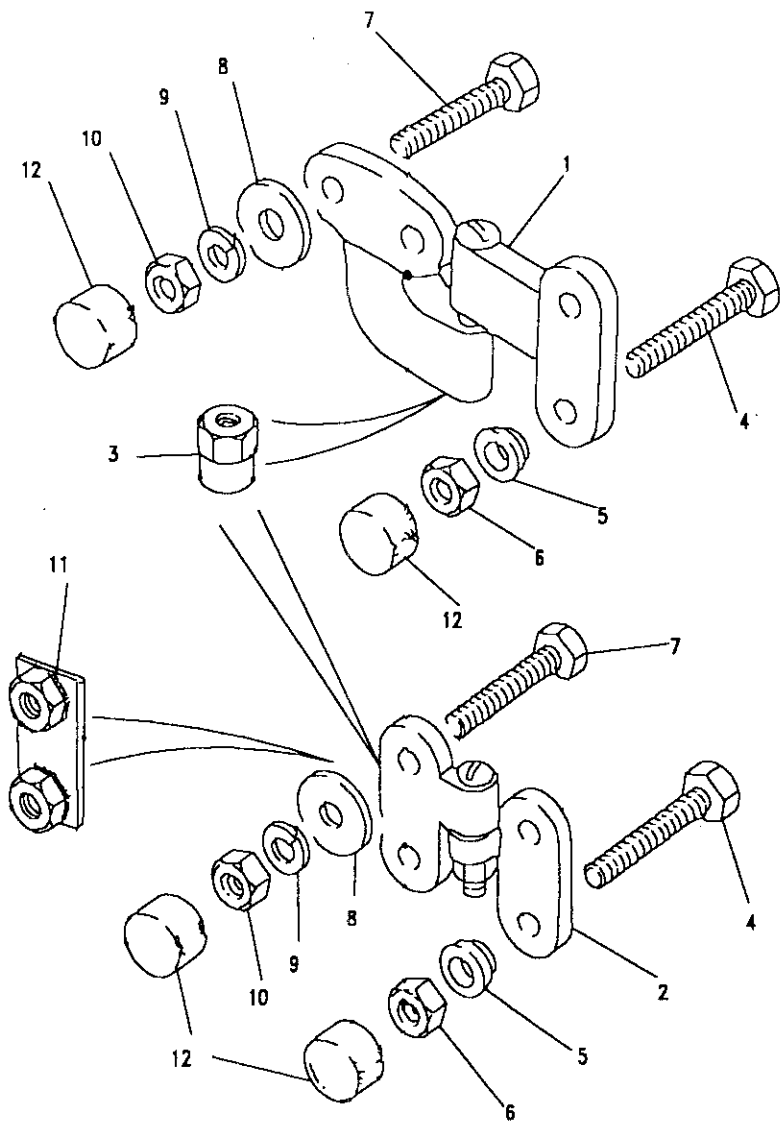
BODY AND CHASSIS

Model DEFENDER 110 1987 onwards
Page AFNXGM1A

BODY - REAR END DOOR

III. Part No.	Description	Qty	Remarks
3 333034	Retainer top	1	
4 333033	Retainer side	2	
5 333032	Retainer bottom	1	
6 333035	Retainer corner	2	
7 AB606031L	Screw	30	





Model DEFENDER 110 1987 onwards

Page AFNXGM2A

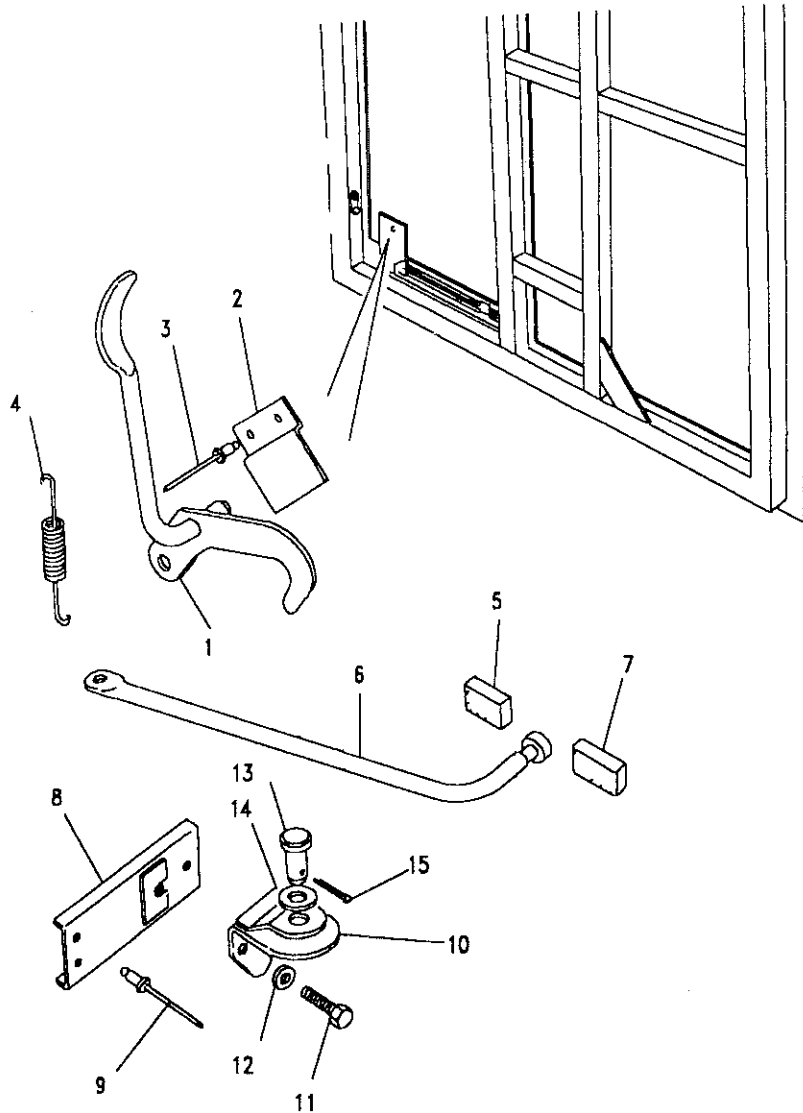
BODY - REAR END DOOR

III. Part No.	Description	Qty	Remarks
1 333036	Hinge upper	1	
2 346341	Hinge centre	1	
3 346341	Hinge lower	1	
4 257450	Nut capped	3	
4 SE108501	Screw	6	Hinge to door
5 MRC1980	Washer nylon	6	
6 FN108041L	Nut	6	
7 SE108251	Screw	6	Hinge to body
8 WC108051L	Washer plain	6	
9 WL108001L	Washer spring	6	
10 FN108041L	Nut	4	
11 MTC1042	Nut plate	1	Centre hinge
Germany			
12 MTC6630	Cover nut	8	
MUC3798	Cover nut	2	



Model DEFENDER 110 1987 onwards
Page AFNXGM3A

BODY - REAR END DOOR CHECK MECHANISM



III. Part No.	Description	Qty	Remarks
Upto FA358797 (Reg)	FA358790 (S/W)		
1 MUC4474	Lever release	1	
2 MUC4486	Retainer	1	
3 RA608177L	Rivet	2	
4 MUC4481	Spring	1	
5 MUC4545	Buffer rubber	1	Short
6 MUC4471	Checklink	1	
7 MUC4544	Buffer rubber	1	Long
8 MUC4477	Bracket mounting	1	
9 78248	Rivet	2	
10 346878	Bracket retaining	1	
11 FS106201L	Flange screw	2	
12 WL106001L	Washer spring	2	
13 306564	Pin clevis	1	
14 349931	Washer plain	1	
15 2393	Pin split	1	



Model DEFENDER 110 1987 onwards

Page AFNXGM4A

BODY - REAR END DOOR CHECK MECHANISM

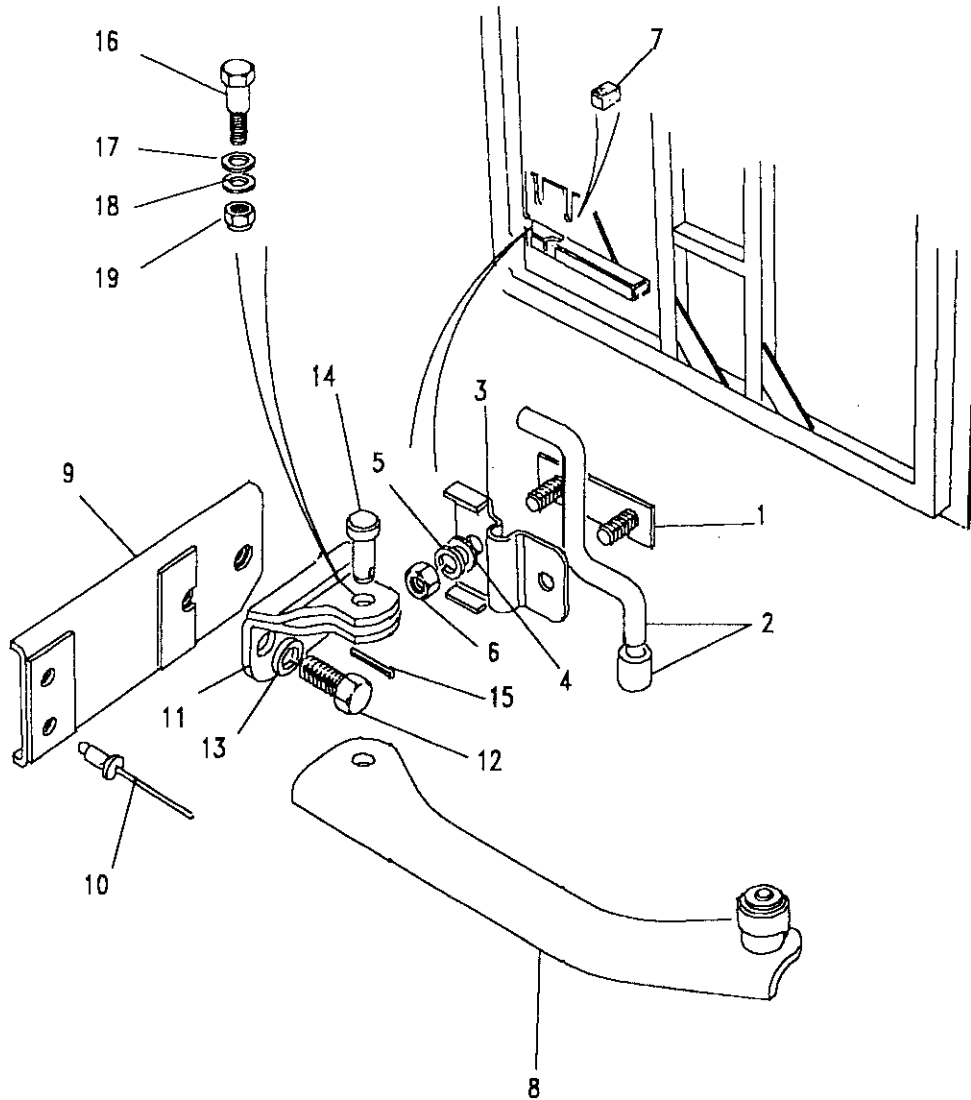
III. Part No. Description Qty Remarks

From FA358798 (Reg) FA358791 (S/W)

1	MUC1961	Stud plate	1
2	MXC1790	Torsion bar and collar	1
3	MWC6450	Bracket pivot	1
4	AFU1080	Washer plain	2
5	WL106001L	Washer spring	2
6	NH106041L	Nut	2
7	MWC5759	Buffer rubber	1
8	MXC5575	Checklink	1
9	MXC2044	Bracket mounting	1
10	78248	Rivet	2
11	MXC2047	Bracket pivot	1
12	FS108251L	Screw	2
13	WL108001L	Washer spring	2
14	306564	Pin clevis	1
15	2393	Pin split	1

Fixings for MXC5575

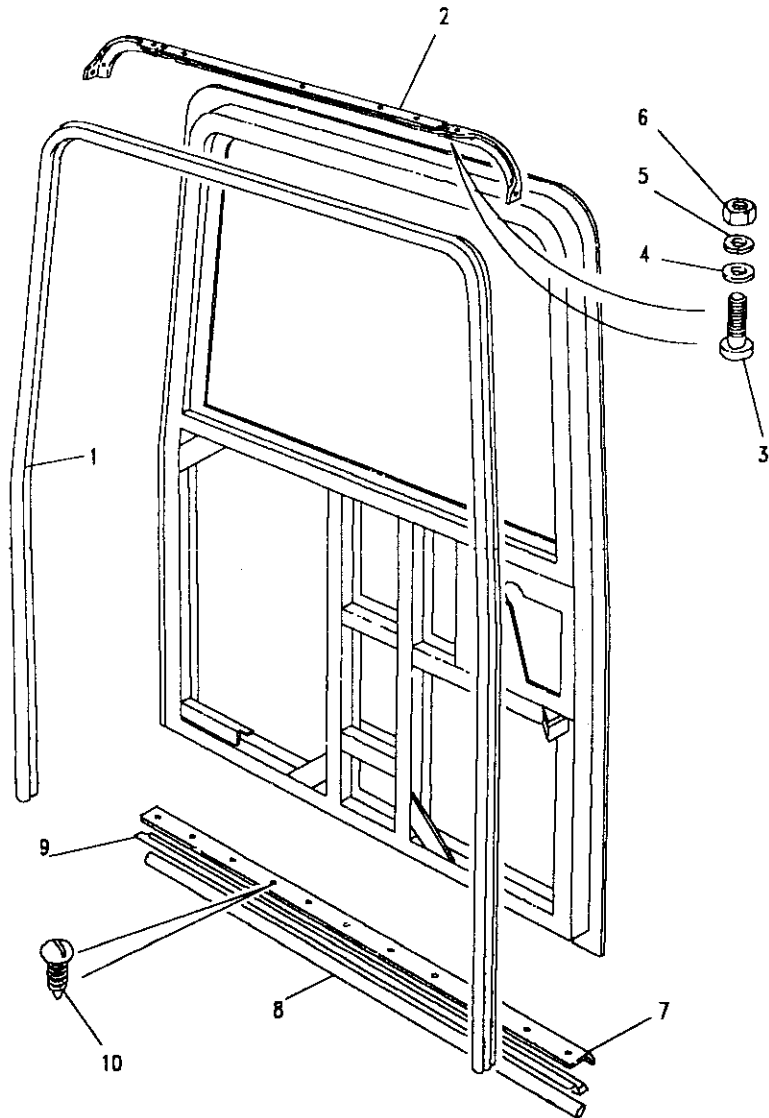
16	MXC5549	Bolt shouldered	1
17	WA108051L	Washer plain	1
18	WA106041L	Washer plain	1
19	NY106041L	Nut	1





Model DEFENDER 110 1987 onwards
 Page AFNXGM5A

BODY - SEALS - REAR END DOOR

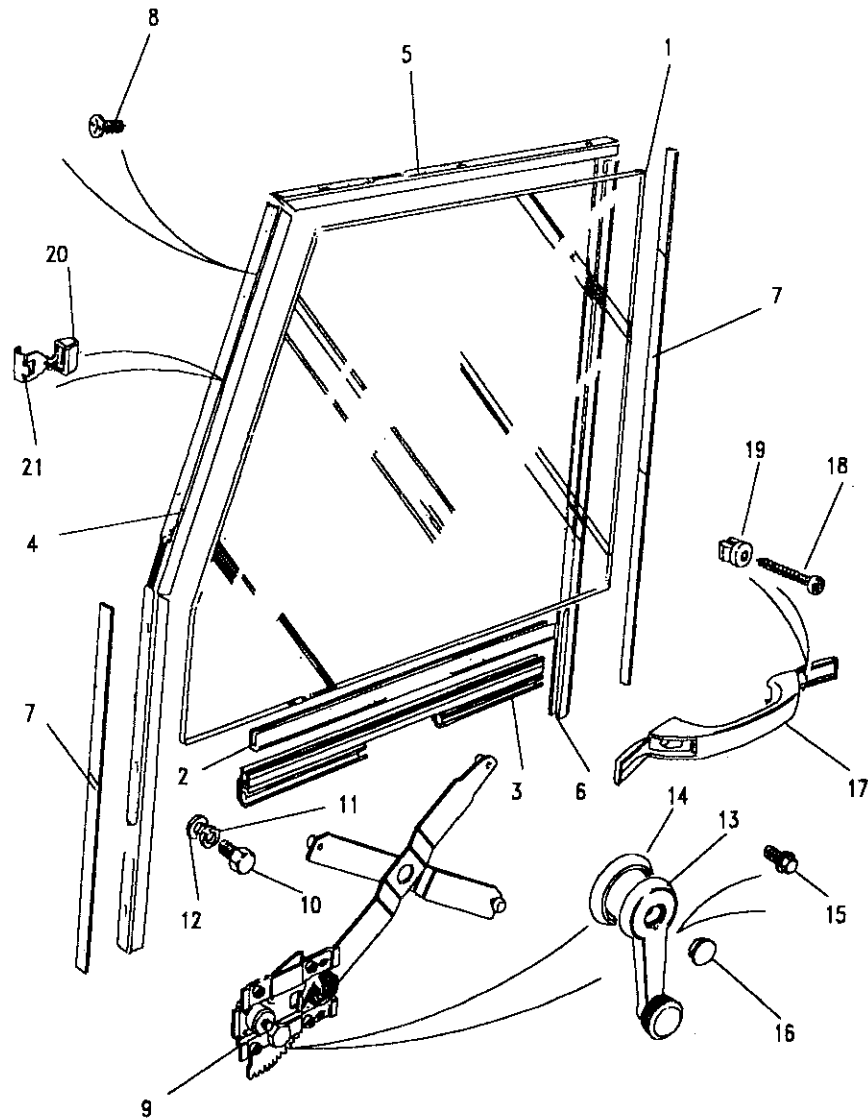


III. Part No.	Description	Qty	Remarks
1 MTC4111	Seal rear end door	1	Up to LA935726
ALR4929	Seal rear end door	1	From LA935727
2 MTC4290	Retainer seal	1	
3 SE105161	Screw	9	
4 AFU1256	Washer plain	9	
5 WL105001	Washer spring	9	
6 NH105041	Nut	9	
RU612373L	Rivet	9)Alternative
AFU1256	Washer plain	9)Fixings
7 333203	Protector	1	Upto KA922939
8 ALR4770	Seal	1	
9 ALR4769	Retainer seal	1	
10 AB606057	Screw	7	



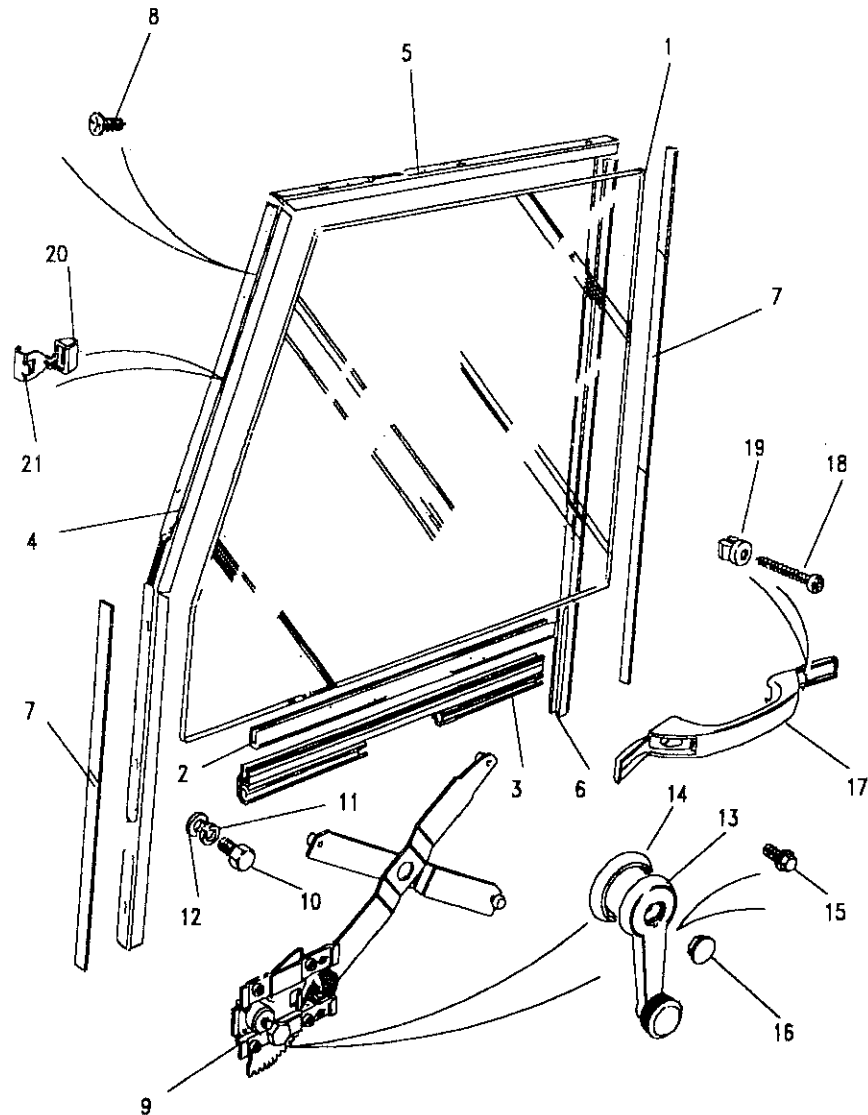
Model DEFENDER 110 1987 onwards
Page AFNXHA1A

BODY - FRONT DOOR - GLASS & WINDOW REGULATOR



III. Part No.	Description	Qty	Remarks
1	MTC7825	2	Glass clear
	MTC7826	2	Glass tinted
	MWC4720	2	Glass clear
	ALR4773	2	Glass clear RH
	ALR4771	1	Glass clear LH
	MWC4721	1	Glass tinted
	ALR4774	2	Glass tinted RH
	ALR4772	1	Glass tinted LH
2	MUC1713	1	Glazing rubber lift chnrl
	MWC4763	2	Glazing rubber lift chnrl
3	MTC8477	2	Channel window lift
4	MUC4071	2	Channel vertical front
	MXC5829	2	Channel vertical front
5	MTC8468	2	Channel top
	MXC5832	2	Channel top
6	MUC4072	2	Channel vertical rear
	MXC5836	2	Channel vertical rear
7	MUC4073	2	Shim channel adjustment
8	AC606031L	A/R	Screw
	AC606041L	22	Screw
		4	Screw

Note(1) 5mm Glass - Upto 342383 Regular, 344754 Station Wagon
 Note(2) 4mm Glass - From 342384 Regular, 344755 Station Wagon
 Note(3) Up to LA932486
 Note(4) From LA932487



Model DEFENDER 110 1987 onwards
Page AFNXHA1A

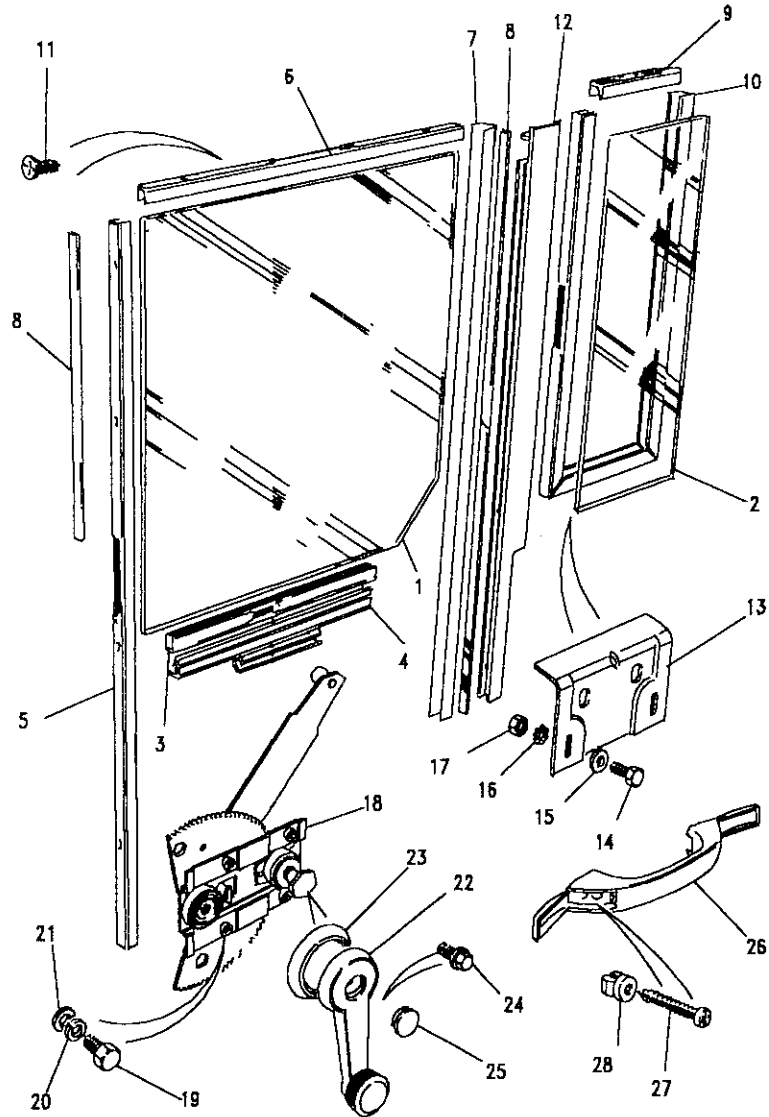
BODY - FRONT DOOR - GLASS & WINDOW REGULATOR

III. Part No.	Description	Qty	Remarks
9	MUC3024	1	Regulator RH Note(3)
	ALR4533	1	Regulator RH Note(4)
	STC1460	1	Kit conversion RH Note(5)
	MUC3025	1	Regulator LH Note(3)
	ALR4532	1	Regulator LH Note(4)
	STC1461	1	Kit conversion LH Note(5)
10	SH106101L	8	Screw
11	WL106001L	12	Washer spring
12	WA106041L	12	Washer plain
	NH106041L	4	Nut Note(4)
13	RTC3939PA	2	Handle window regulator Note(3)
	DBP6287PMA	2	Handle window regulator Note(4)
	BNP4556	2	Clip retaining
	ALR5821	2	Adaptor Note(4)
14	JPC9023PMA	2	Escutcheon Note(3)
	BTR6620PMA	2	Escutcheon regulator Note(4)
15	ADU5727L	2	Screw)
16	RTC3940PA	2	Cover handle)Note(3)
17	YGA451L	2	Door pull
18	AB610081L	4	Screw
19	RTC3748	4	Nut lokut
20	MWC4370	2	Clip window guide From 305617
21	MWC4371	2	Clip retaining From 305617
	ALR6219	4	Clip window guide Note(4)

Note(1) 5mm Glass - Upto 342383 Regular, 344754 Station Wagon
 Note(2) 4mm Glass - From 342384 Regular, 344755 Station Wagon
 Note(3) Up to LA932486
 Note(4) From LA932487
 Note(5) Contains all parts needed to convert to later type regulators

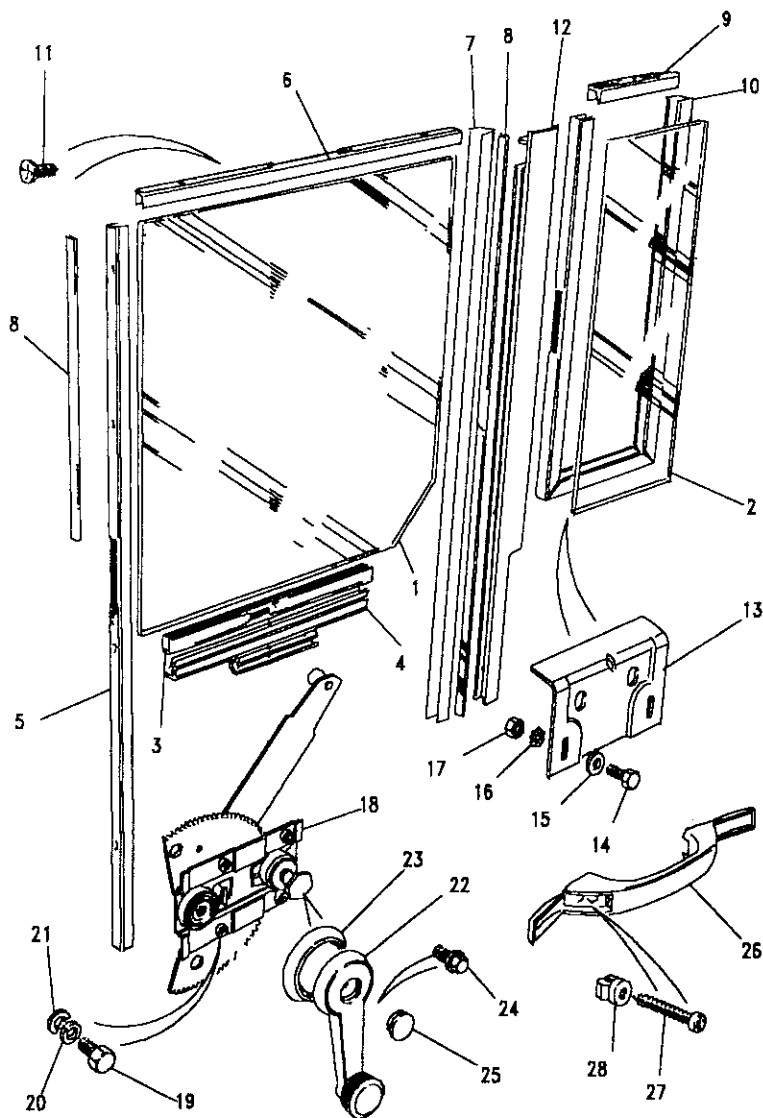
Model DEFENDER 110 1987 onwards
Page AFNXHC1A

BODY - REAR SIDE DOOR - GLASS & REGULATOR



III. Part No.	Description	Qty	Remarks
1 MTC7828	Glass Clear	2	Note(1)
MTC7829	Glass Tinted	2	Note(1)
MWC4722	Glass Clear	2	Note(2 & 3)
ALR4777	Glass Clear RH	1)
ALR4775	Glass Clear LH	1)Note(4)
MWC4723	Glass Tinted	2	Note(2 & 3)
ALR4778	Glass Tinted RH	1)
ALR4776	Glass Tinted LH	1)Note(4)
2 MTC8460	Glass rear quarter clear	2	Note(1)
MTC8461	Glass rear quarter tinted	2	Note(1)
MWC4724	Glass rear quarter clear	2	Note(2)
MWC4725	Glass rear quarter tinted	2	Note(2)
3 MUC1714	Glazing rubber lift chnnl	2	Note(1)
MWC4764	Glazing rubber lift chnnl	2	Note(2)
4 MTC8478	Channel window lift	2	
5 MUC4072	Channel vertical front	2	Note(1)
MXC5837	Channel vertical front	2	Note(2)
6 MTC8471	Channel top	2	Note(1)
MXC5833	Channel top	2	Note(2)
7 MTC8472	Channel vertical rear	2	Note(1)
MXC5834	Channel vertical rear	2	Note(2)
8 MUC4073	Shim channel adjustment	A/R	

Note(1) 5mm glass - Upto 344754
 Note(2) 4mm glass - From 344755
 Note(3) Up to LA932486
 Note(4) From LA932487



Model DEFENDER 110 1987 onwards

Page AFNXHC1A

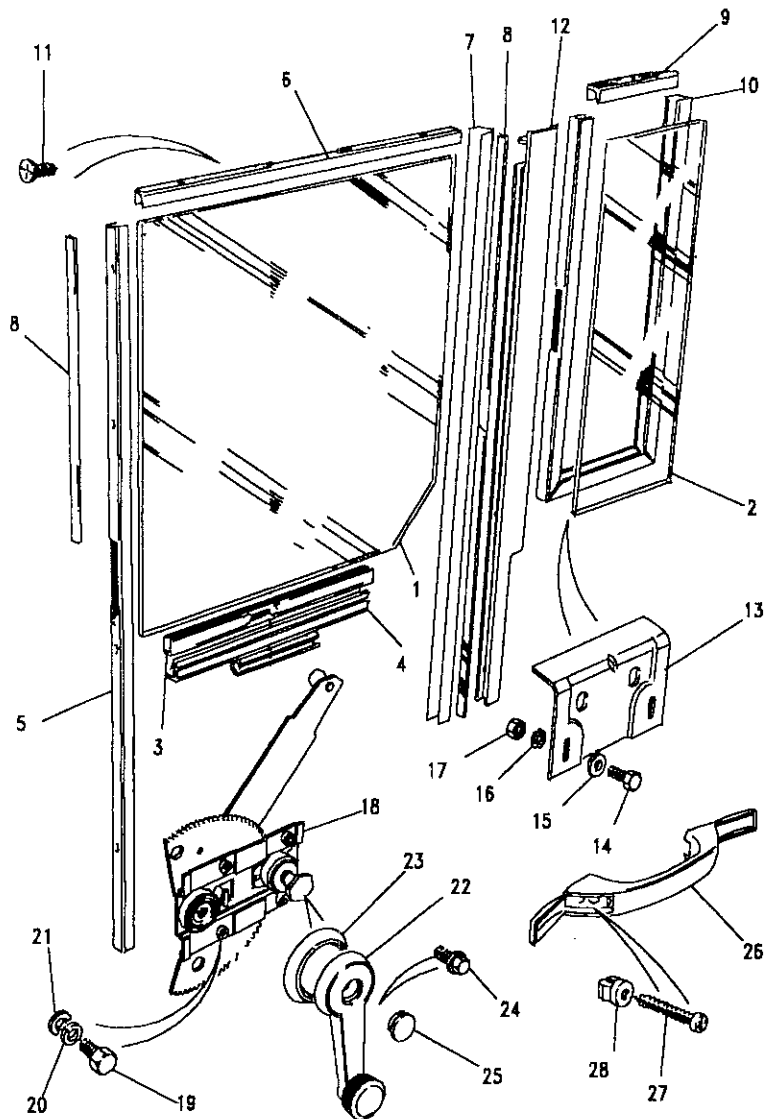
BODY - REAR SIDE DOOR - GLASS & REGULATOR

III. Part No.	Description	Qty	Remarks
9	MTC8790	2	Note(1)
	MXC5835	2	Note(2)
10	MTC8791	2	Note(1)
	MXC5830	2	Note(2)
11	AC606031L	2	
	AC606041L	16	
12	MUC3492	2	
	MUC3493	1	
13	MWC1627	1	
14	SH104101L	2	
15	WA104001L	4	
16	WE104001L	4	
17	NH104041L	4	

Note(1) 5mm glass - Upto 344754
 Note(2) 4mm glass - From 344755

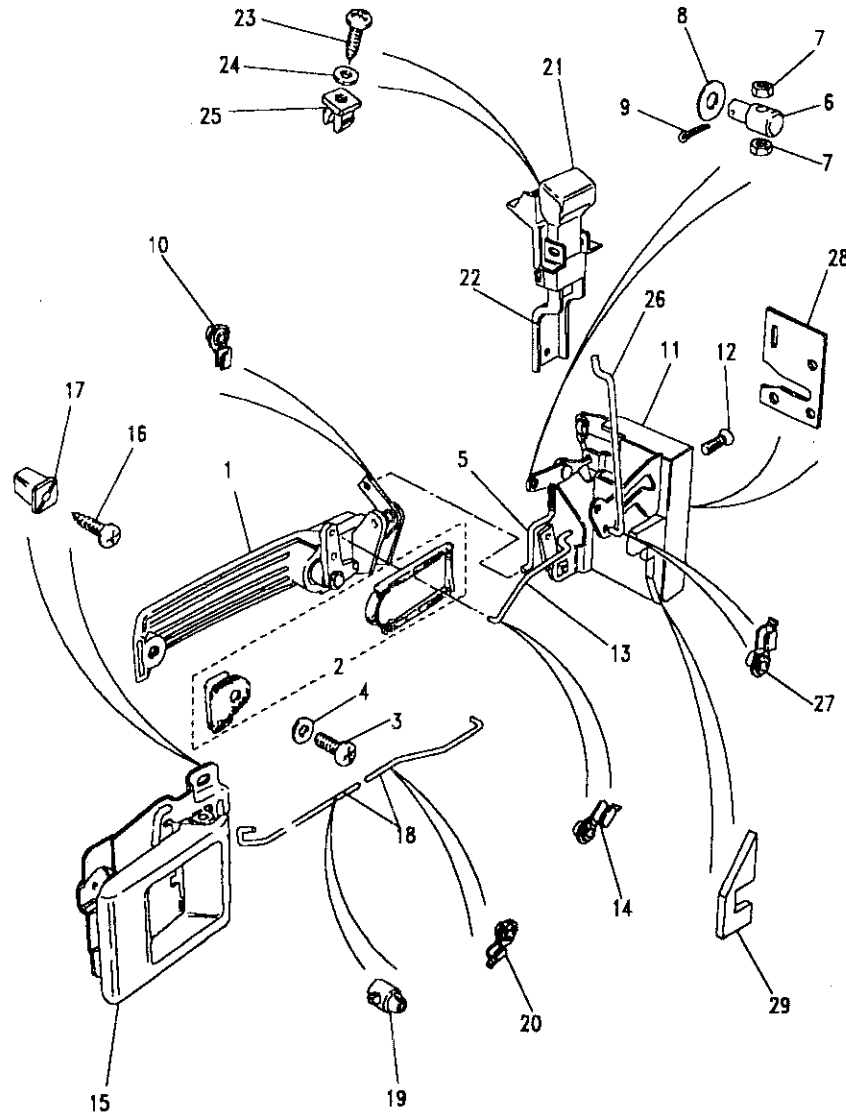
Model DEFENDER 110 1987 onwards
 Page AFNXHC1A

BODY - REAR SIDE DOOR - GLASS & REGULATOR



Ill. Part No.	Description	Qty	Remarks
18	MUC3026	1	Note(1)
	ALR4535	1	Note(2)
	STC1462	1	Note(3)
	MUC3027	1	Note(1)
	ALR4534	1	Note(2)
	STC1463	1	Note(3)
19	SH106101L	8	Screw
20	WL106001L	8	Washer spring
21	WA106041L	8	Washer plain
22	RTC3939PA	2	Handle window regulator
	DBP6287PMA	2	Handle window regulator
	ALR5821	2	Adaptor
23	RTC3935PA	2	Escutcheon
	BTR6620PMA	2	Escutcheon regulator
	BNP4556	2	Clip retaining
24	ADU5727L	2	Screw powerlok
25	RTC3940PA	2	Cover handle
26	YGA451L	2	Door pull
27	AB610081L	4	Screw
28	RTC3748	4	Nut lokut

Note(1) Upto LA932486
 Note(2) From LA932487
 Note(3) Contains all parts needed to convert to new type regulators



Model DEFENDER 110 1987 onwards
Page AFNXHE1A

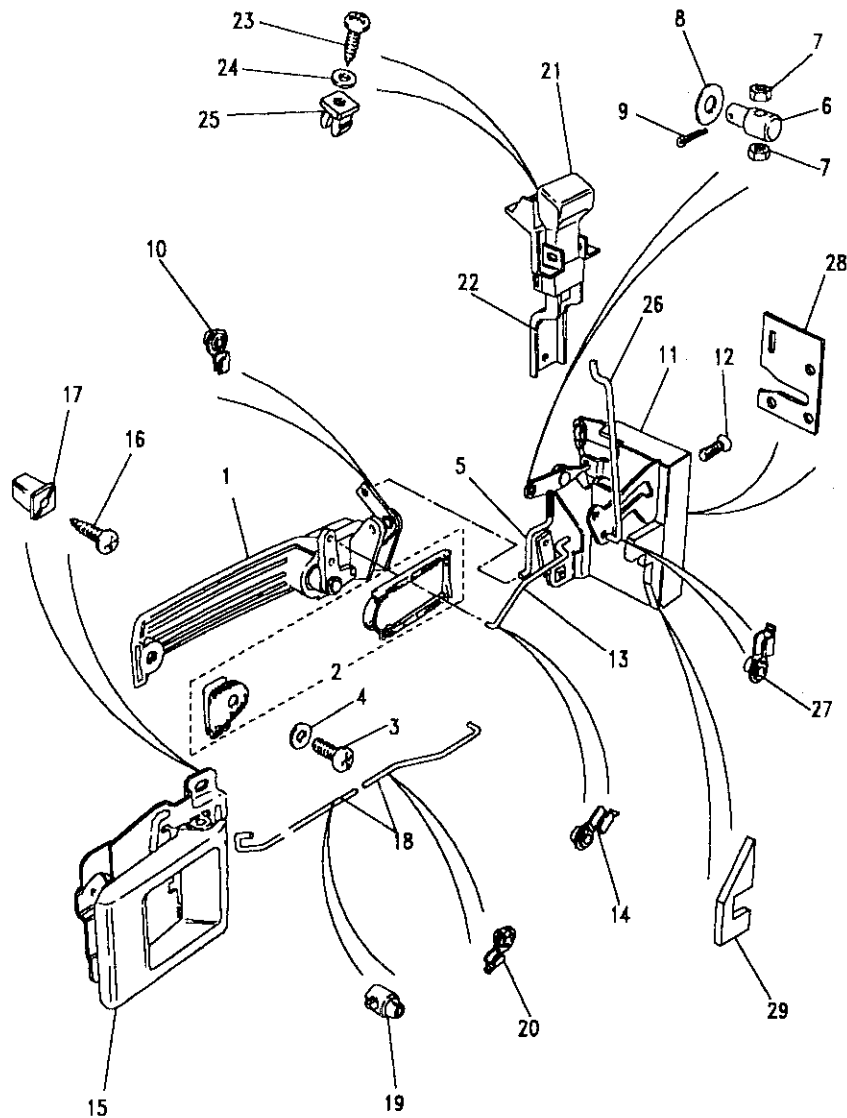
BODY - FRONT DOOR - LOCK MECHANISM

III. Part No.	Description	Qty	Remarks
1	MXC7652 MXC7651	1 1	Handle door outer RH Handle door outer LH Barrel lock and keys Key blank Note(1) Note(1)
2	STC617	2	Kit gasket handle
3	SE105101L	4	Screw
4	WA105001L WC105001L	4 4	Washer plain Washer plain
5	MWC4846 MWC4847	1 1	Link RH Link LH
6	MWC4850 ALR4065	2 2	Adjuster Adjuster threaded
7	NH104041L	4	Nut
8	MRC5525	2	Washer plain
9	PS603041L PS103101L	2 3	Pin split Pin split
10	634604 BRC1393	4 4	Clip linkage Clip linkage
11	MWC1476 MWC1477	1 1	Latch door RH Latch door LH
12	SF106161L	6	Screw

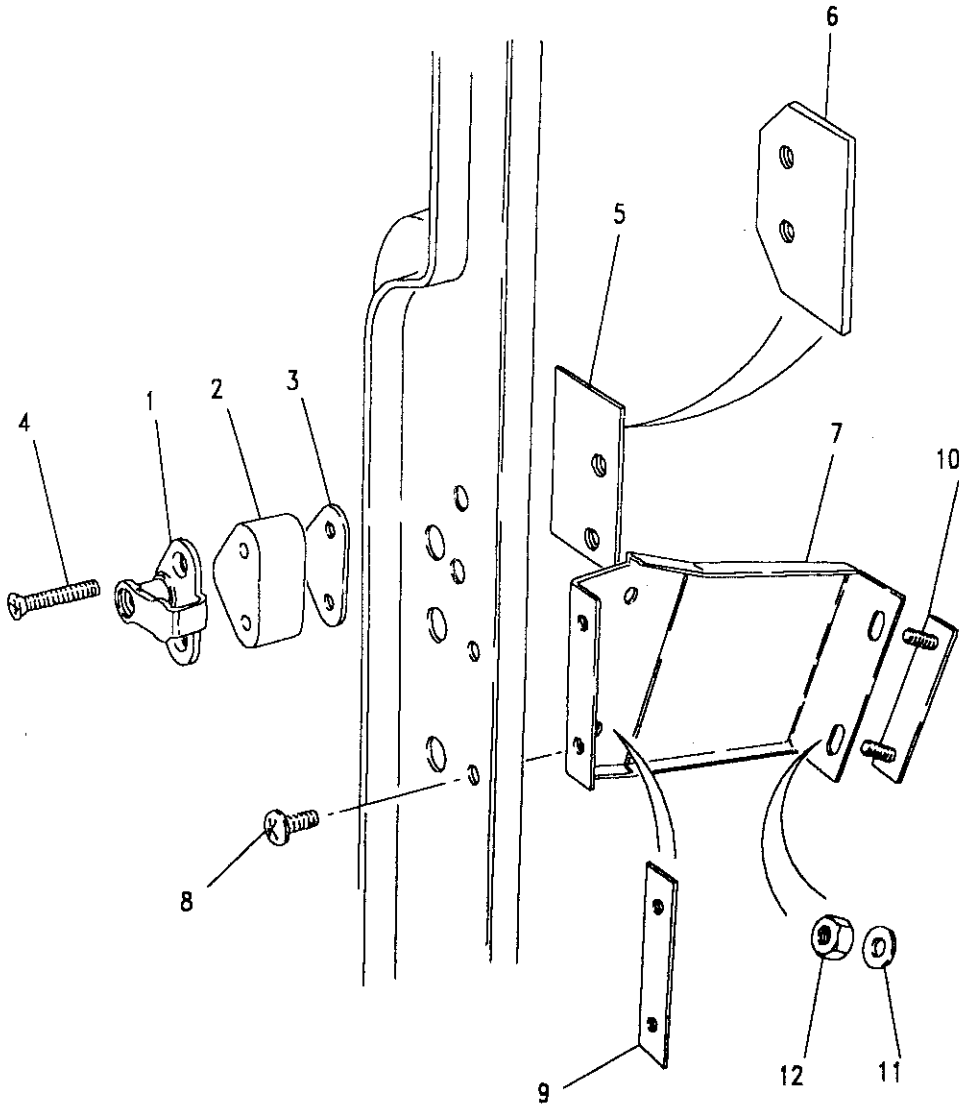
Note(1) Refer to Barrel & Key Sets on page 815

Model DEFENDER 110 1987 onwards
 Page AFNXHE1A

BODY - FRONT DOOR - LOCK MECHANISM



III. Part No.	Description	Qty	Remarks
13	MWC1480	1	External lock
	MWC1481	1	External lock
14	634604	2	Clip linkage
	BRC1393	2	Clip linkage
15	DBP5840PMA	1	Handle door inner rh
	DBP5841PMA	1	Handle door inner LH
16	MUC3394	4	Screw sems
17	MWC1950	4	Nut lokut
18	MWC1486	1	Link RH
	MWC1487	1	Link LH
19	CRC1250L	2	Clip support
20	BFP1265L	2	Clip linkage
21	JRC1775PMA	2	Button sill
22	BRC8965PMA	2	Housing
23	AB606041L	4	Screw
24	WA104001L	4	Washer plain
25	MWC1950	4	Nut lokut
26	MWC1484	2	Link sill button
	ALR6224	2	Link sill button
27	BFP1265L	2	Clip linkage
28	MXC8222	1	Gasket door lockface RH
	MXC8223	1	Gasket door lockface LH
29	MXC8224	1	Seal lock aperture RH
	MXC8225	1	Seal lock aperture LH



Model DEFENDER 110 1987 onwards
Page AFNXHE2A

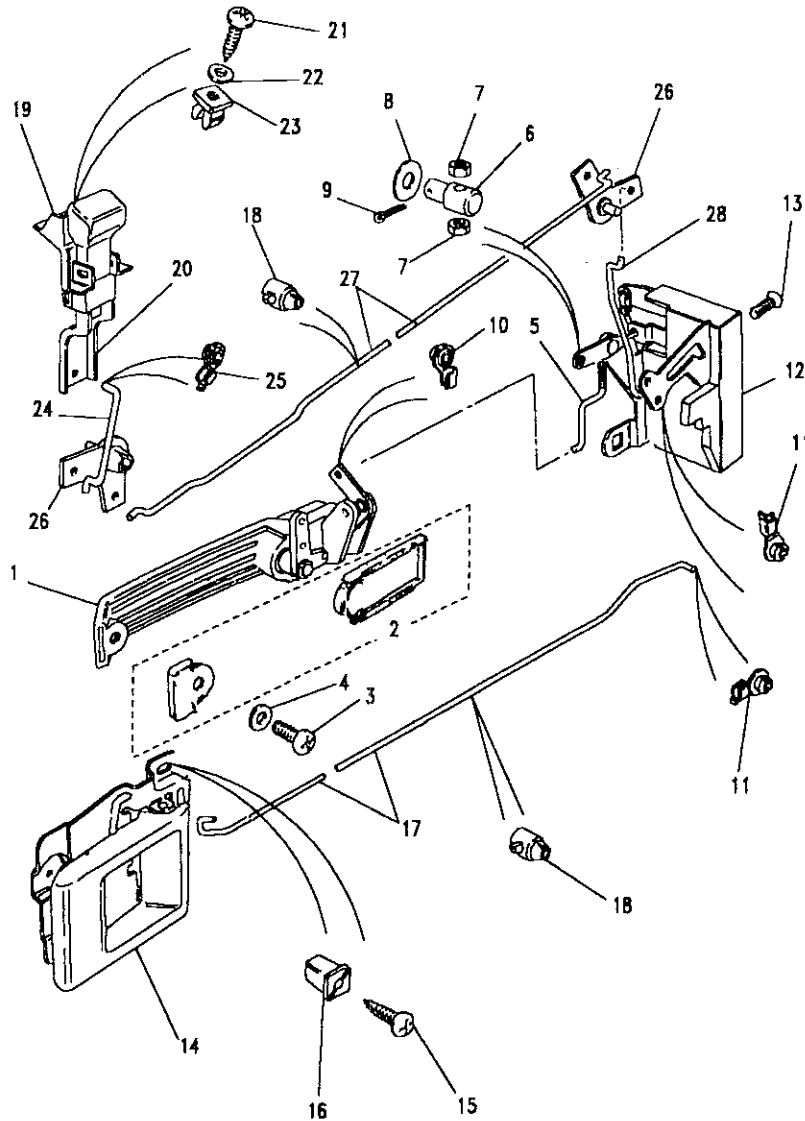
BODY - FRONT DOOR - LOCK MECHANISM

III. Part No.	Description	Qty	Remarks
1	MUC8526 Striker lock	2	
2	MUC7809 Spacer	2	
3	MWC3148 Packing piece	A/R	
4	SF106401 Screw	4	Upto HA481996
	MXC9689 Screw torx M6x40	4	From HA481997
5	MWC1812 Reinforcement RH	1	Note(1)
	MWC1813 Plate reinforcing	1	Note(1)
6	MWC1622 Nut plate	2	Note(2)
7	MWC1736 Bracket support RH	1	Note(1)
	MWC1737 Bracket support LH	1	Note(1)
8	SE106161L Screw	4	Note(1)
9	MRC9431 Nut plate	2	Note(1)
10	MUC1049 Stud plate	2	Note(1)
11	WA106041L Washer plain	4	Note(1)
12	NH106041L Nut	4	Note(1)

Note(1) Chassis Cab vehicles
 Note(2) Station Wagon vehicles

Model DEFENDER 110 1987 onwards
 Page AFNXHG1A

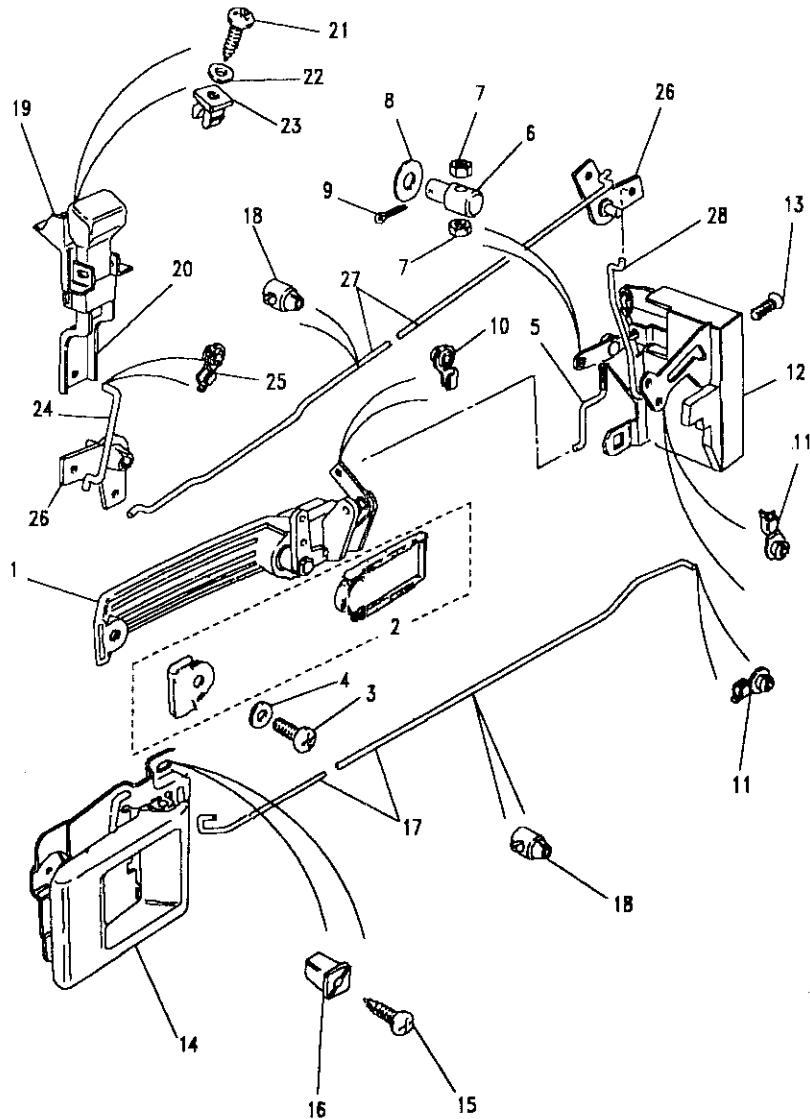
BODY - REAR SIDE DOOR - LOCK MECHANISM



III. Part No.	Description	Qty	Remarks
1	MXC2728	1	Handle door outer RH
	MXC2729	1	Handle assembly
2	STC617	2	Gasket handle kit
3	SE105101L	4	Screw
4	WA105001L	4	Washer plain
5	MWC5002	1	Link RH
	MWC5001	1	Link LH
6	MWC4850	2	Adjuster
	ALR4065	2	Adjuster threaded
7	NH104041L	4	Nut
8	MRC5525	2	Washer plain
9	PS603041L	2	Pin split
	PS103101L	2	Pin split
10	634604	4	Clip linkage
	BRC1393	4	Clip linkage
11	BFP1265L	4	Clip linkage
12	MWC1488	1	Latch door RH
	MWC1489	1	Latch door
13	SF106161L	6	Screw

Model DEFENDER 110 1987 onwards
Page AFNXHG1A

BODY - REAR SIDE DOOR - LOCK MECHANISM

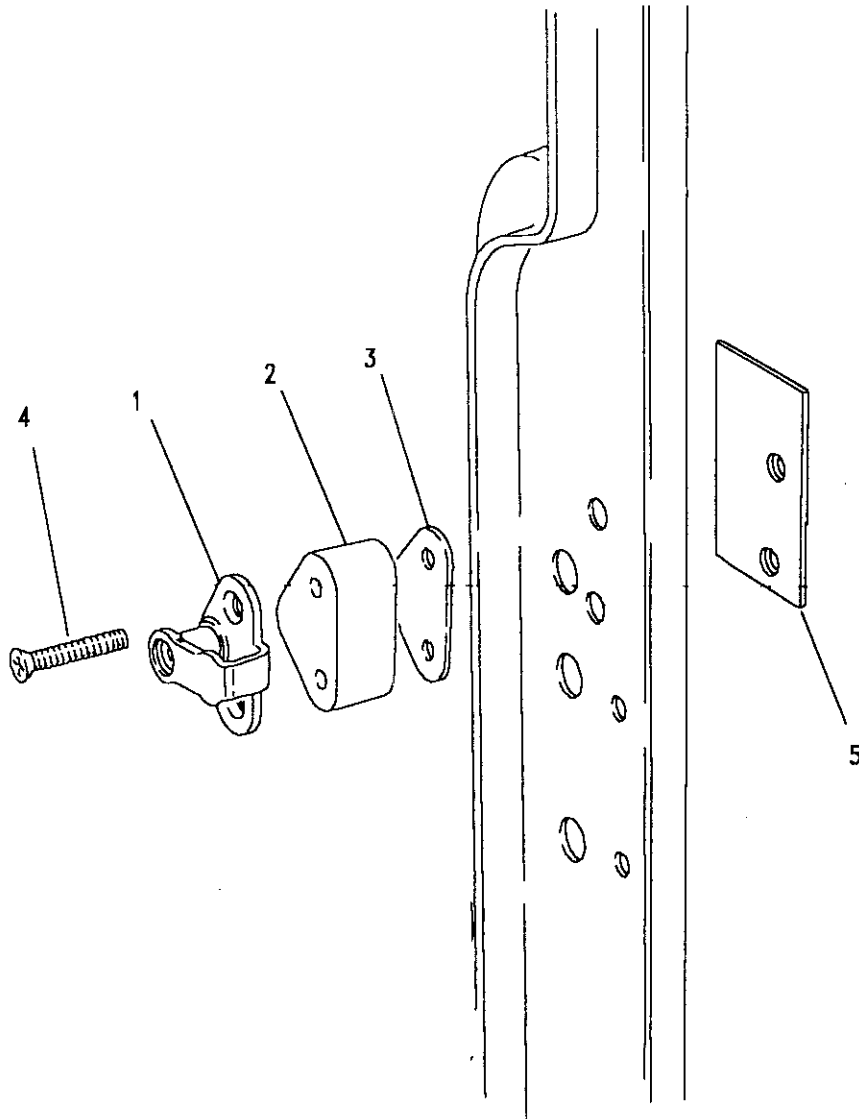


III. Part No.	Description	Qty	Remarks
14	DBP5840PMA	1	Handle door inner rh
	DBP5841PMA	1	Handle door inner LH
15	MUC3394	4	Screw serns
16	MWC1950	4	Nut lokut
17	MWC1492	1	Link RH
	MWC1493	1	Link LH
18	CRC1250L	4	Clip support
19	JRC1775PMA	2	Button sill
20	BRC8965PMA	2	Housing
21	AB606041L	4	Screw
22	WA104001L	4	Washer plain
23	MWC1950	4	Nut lokut
24	MUC8364	2	Link sill button
25	634604	2	Clip linkage
	BRC1393	2	Clip linkage
26	DZA1435L	4	Lever
27	MUC8365	2	Link intermediate
28	MWC1485	2	Link door latch

Model DEFENDER 110 1987 onwards
Page AFNXHG2A

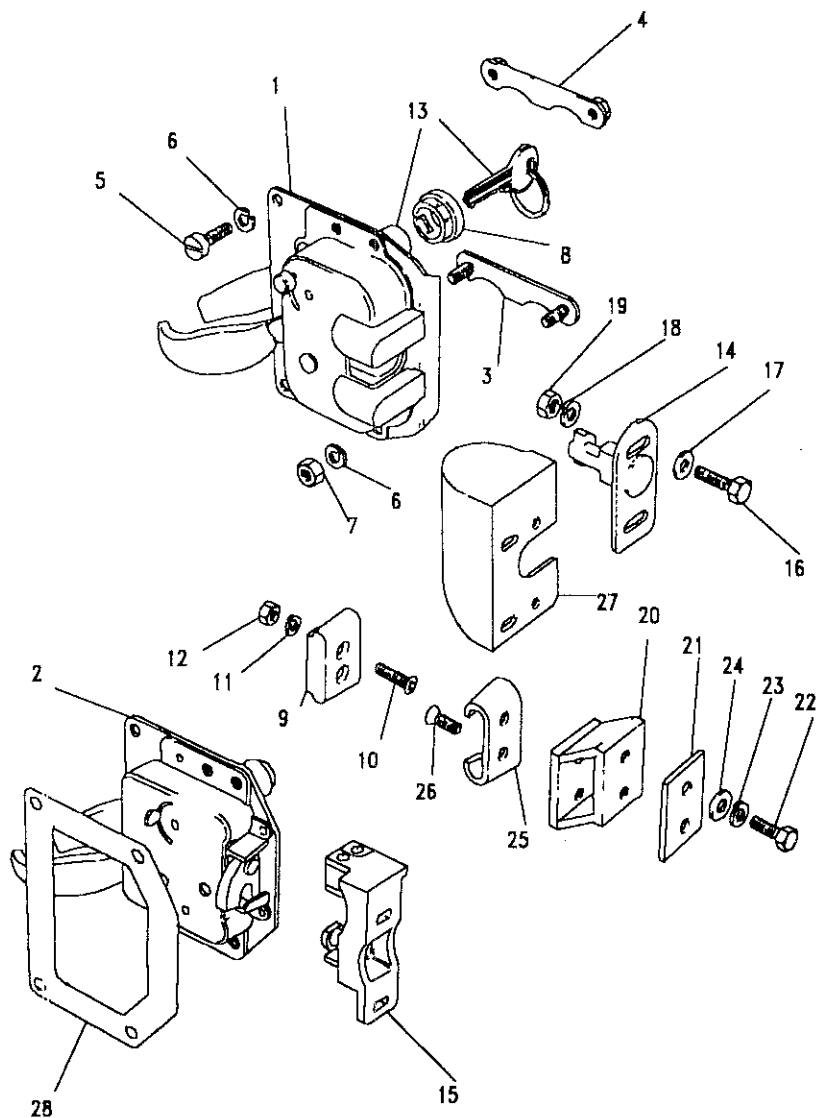
BODY - REAR SIDE DOOR - LOCK MECHANISM

III. Part No.	Description	Qty	Remarks
1 MUC8526	Striker lock	2	
2 MUC7809	Spacer	2	
3 MWC3148	Packing piece	A/R	
4 SF106401 MXC9689	Screw	4	Upto HA481996
5 MWC1622	Screw torx M6x40 Nut plate	4 2	From HA481997



Model DEFENDER 110 1987 onwards
Page AFNXH1A

BODY - REAR END DOOR - LOCKING MECHANISM

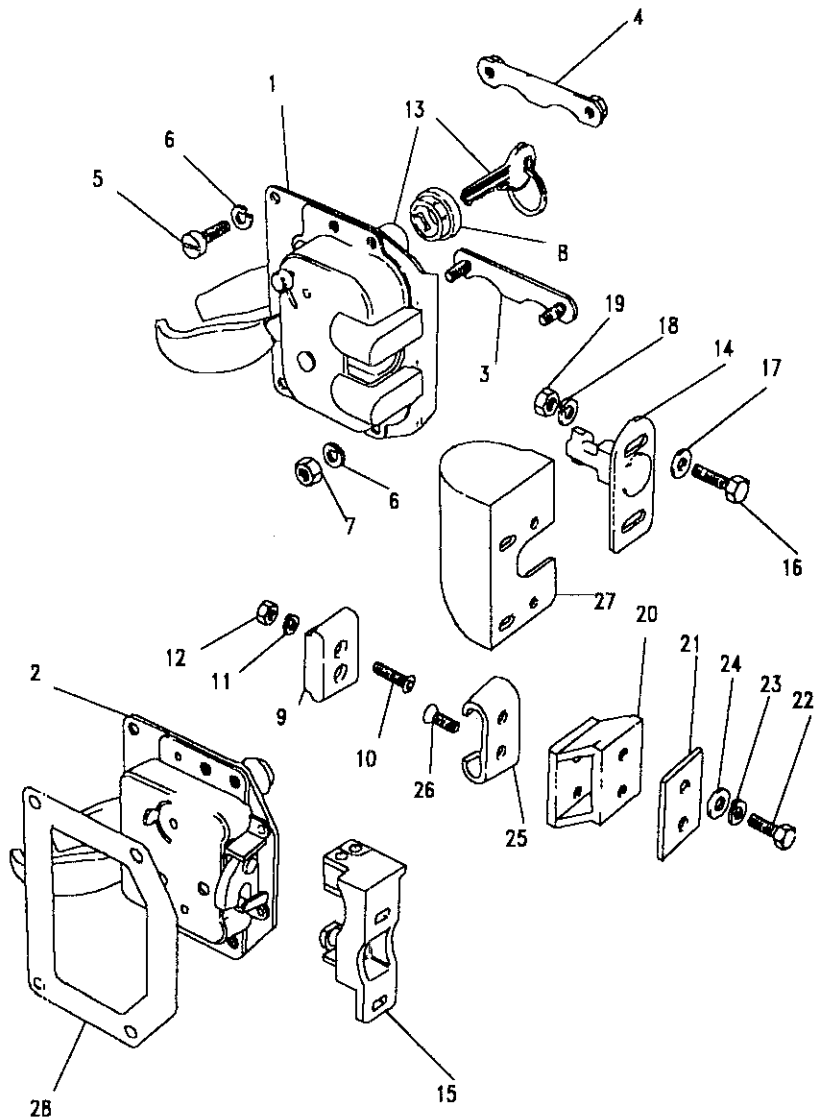


III. Part No.	Description	Qty	Remarks
1	MUC1030 Lock assembly	1	Upto 314267
2	395037 Lock assembly	1	From 314268
3	MRC9416 Stud plate	1	
4	MRC9417 Nut plate	1	
5	SE106161L Screw	2	
6	WL106001L Washer spring	4	
7	NH106041L Nut	2	
8	347151 Seal	1	
9	332942 Dovetail male	1	Upto KA929577
10	SA106251 Screw	2	Upto KA929577
11	WL106001L Washer spring	2	Upto KA929577
12	NH106041L Nut	2	Upto KA929577
13	Barrel lock and keys Key blank		Note(1) Note(1)
14	MRC8444 Striker lock	1	Upto 314267
15	395294 Striker lock	1	From 314268
	ALR4652 Striker lock	1	From KA929577
	395078 Shim	A/R	
	MWC3312 Bracket reinforcement	1	From 289431
16	SH106351L Screw	2	
17	AFU1259 Washer plain	2	Station Wagon
	MRC5525 Washer plain	2	Hard Top
18	WL106001L Washer spring	2	
19	NH106041L Nut	2	

Note(1) Refer to page 815

Model DEFENDER 110 1987 onwards
Page AFNXHI1A

BODY - REAR END DOOR - LOCKING MECHANISM



III. Part No.	Description	Qty	Remarks
20	MRC9619	1	Spacer
21	305232	2	Upto KA929577 Shim
22	FS106201L	2	Upto KA929577 Flange screw
23	WL106001L	2	Upto KA929577 Washer spring
24	AFU1080	2	Upto KA929577 Washer plain
25	332147	1	Upto KA929577 Dovetail female
26	SA106161	2	Upto KA929577 Screw
27	MRC9006	1	Shroud
28	MXC9455	1	Seal
Germany MTC7155	Cover striker/dovetail	1	



DEFENDER 110 1987 onwards

815

BODY AND CHASSIS

Model DEFENDER 110 1987 onwards
Page AFNXHK1A

BODY - BARREL LOCK AND KEYS

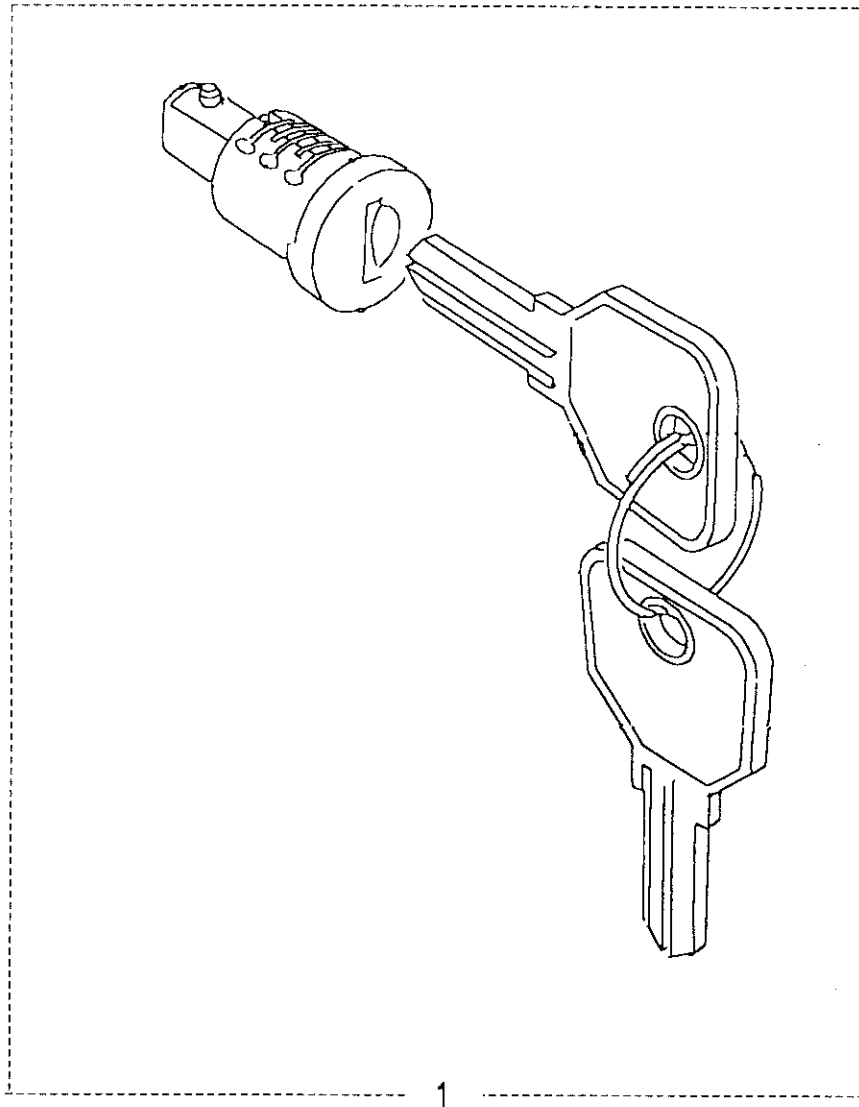
III. Part No.	Description	Qty	Remarks
1 RTC3022	Barrel lock and keys	1	
MTC6503	Barrel locks and keys	1	2 Barrels/2 keys
MTC6504	Barrel locks and keys	1	3 Barrels/2 keys
MTC6505	Barrel locks and keys	1	4 Barrels/2 keys
MTC6506	Barrel locks and keys	1	5 Barrels/2 keys
MTC6507	Barrel locks and keys	1	6 Barrels/2 keys
CZK3438L	Key blank	A/R	FT series

Rear end door - From VIN 314268

1 395141	Barrel lock and keys	1	
17H2475L	Key blank	1	FS series

Tailboard side hinged with lock 395041

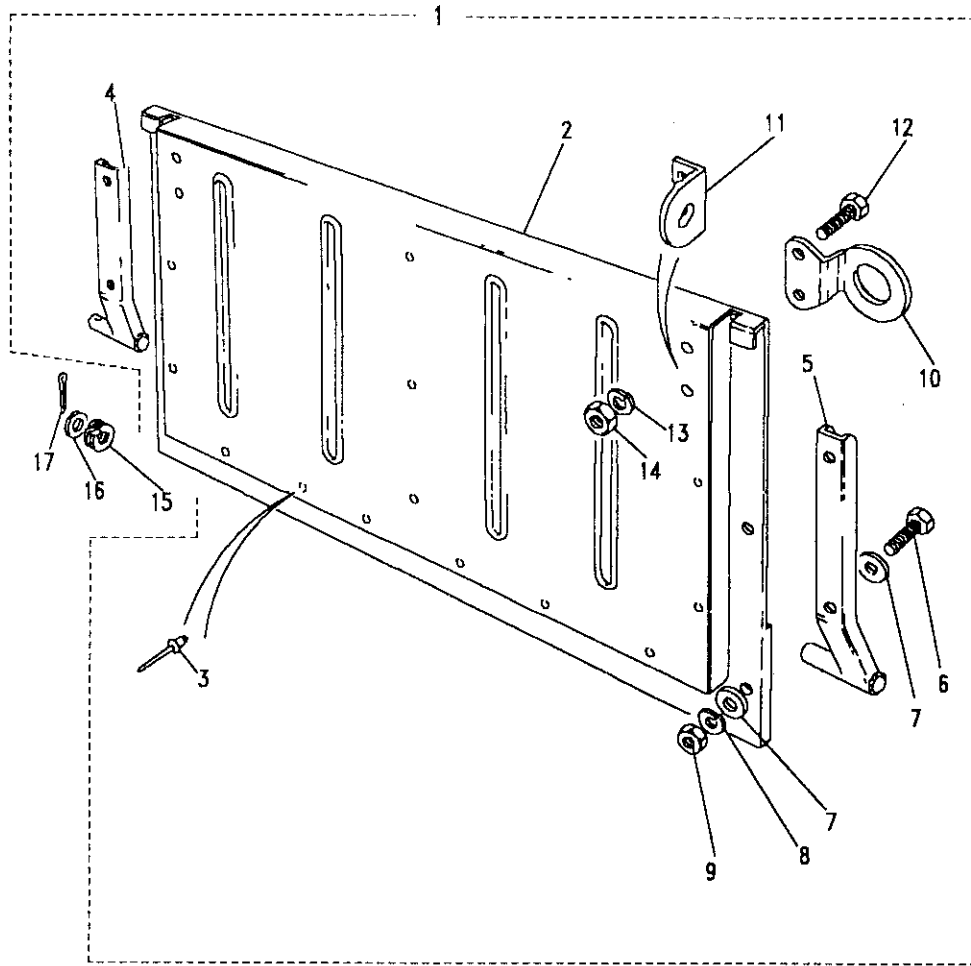
1 395141	Barrel lock and keys	1	
17H2475L	Key blank	A/R	FS series

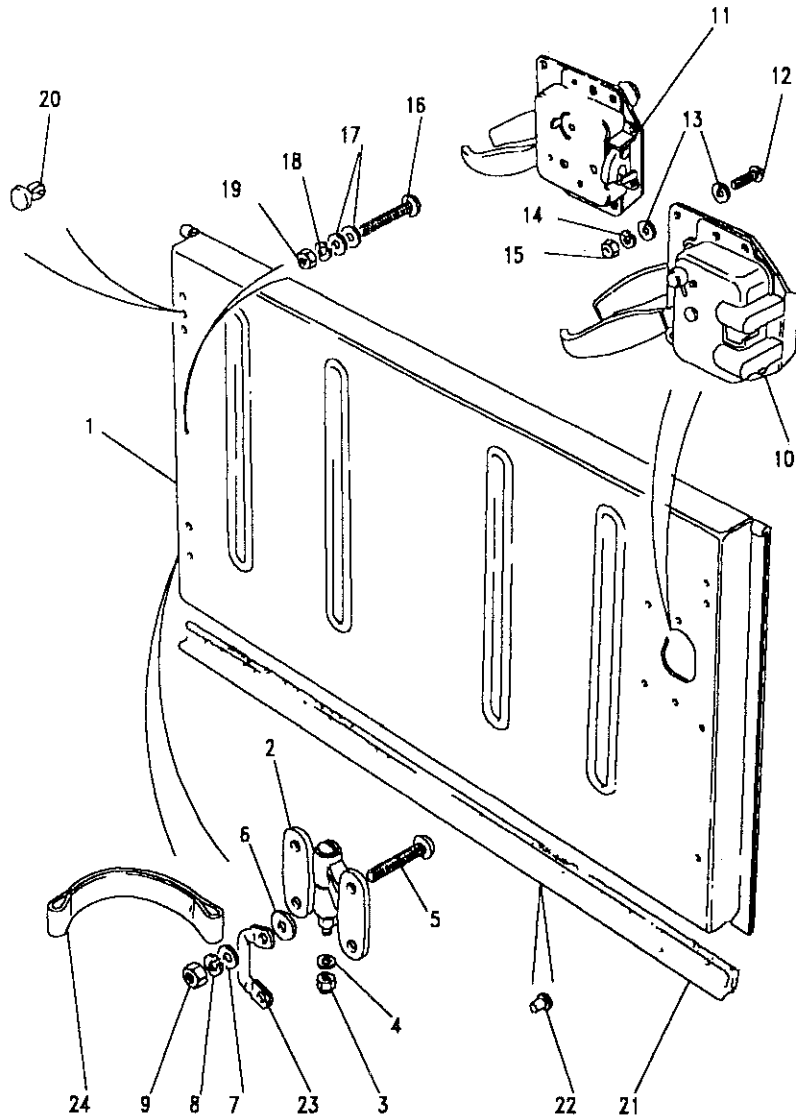


Model DEFENDER 110 1987 onwards
 Page AFNXIA1A

BODY - TAILBOARD - LOWER HINGED

III. Part No.	Description	Qty	Remarks
1	MUC8736	1	Tailboard assembly
2	MUC8737	1	Panel reinforcing
3	78248	17	Rivet
	RR612063	8	Rivet
4	MUC8740	1	Hinge RH
5	MUC8741	1	Hinge LH
6	BH106111L	4	Bolt
7	MRC5528	10	Washer plain
8	WL106001L	4	Washer spring
9	NH106041L	4	Nut
10	MUC8746	2	Plate locking
11	MUC8738	1	Bracket RH
	MUC8739	1	Bracket LH
12	BH106111L	4	Bolt
13	WL106001L	4	Washer spring
14	NH106041L	4	Nut
15	WS600091	1	Washer spring
16	WA600091L	1	Washer plain
17	PS612080	1	Pin split





Model DEFENDER 110 1987 onwards
Page AFNXIA2A

BODY - TAILBOARD - SIDE HINGED

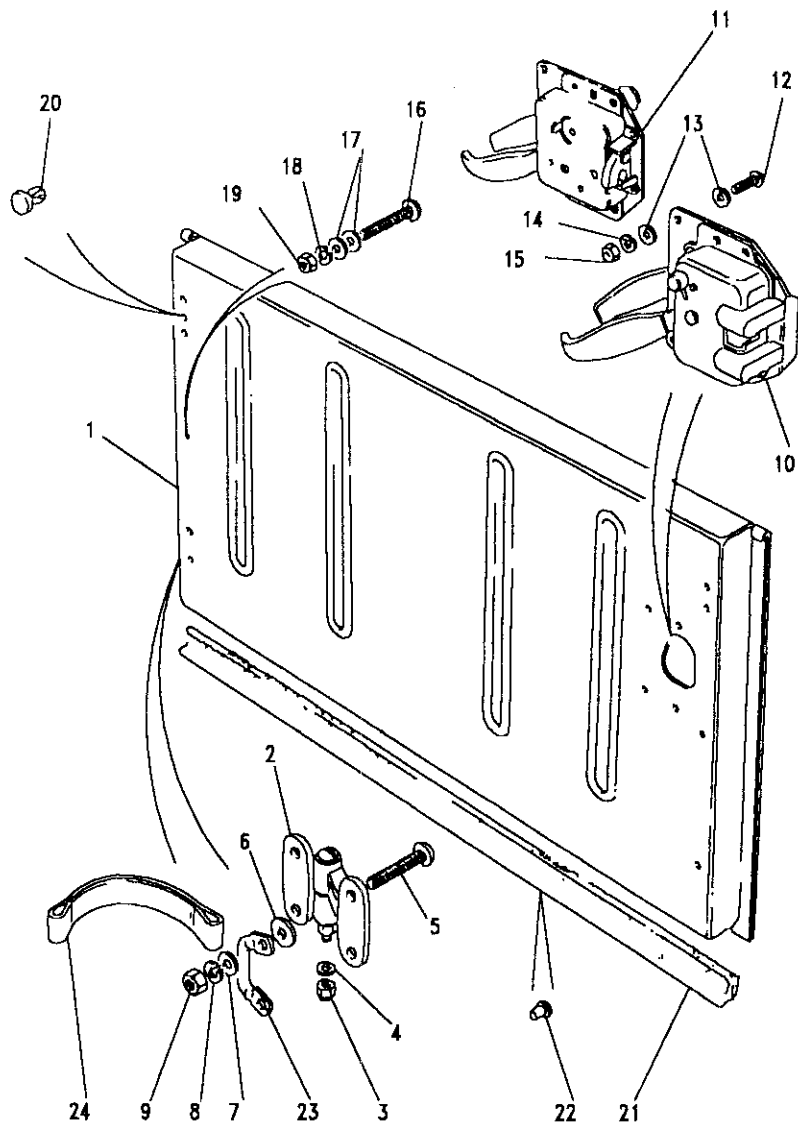
III. Part No.	Description	Qty	Remarks
1 MUC8707	Tailboard	1	
2 346341	Hinge	2	
3 257450	Nut capped	2	
4 WA106041L	Washer plain	2	
5 SE108601	Screw	4	
6 WC108051L	Washer plain	1	
7 WA108051L	Washer spring	2	
8 WL108001L	Washer spring	4	
9 NY108041L	Nut	4	
10 MUC1028	Lock	1	Note(1)(2)
11 395041	Lock	1	Note(1)(3)
	Barrel lock and keys		Note(4)
	Key Blank		Note(4)
12 SE106201L	Screw	4	
13 WA106041L	Washer plain	10	
14 WL106001L	Washer spring	4	
15 NY106041L	Nut	4	

Note(1) Alternatives check before ordering
 Note(2) Use with Striker MRC8444
 Note(3) Use with Striker 395294
 Note(4) For details see page 815

Model DEFENDER 110 1987 onwards
Page AFNXIA2A

BODY - TAILBOARD - SIDE HINGED

Ill. Part No.	Description	Qty	Remarks
16	SE106501 Screw	5	Redundant holes
17	WA106041L Washer plain	10	
18	WL106001L Washer spring	5	
19	NY106041L Nut	5	
20	79086 Rivet	1	Redundant holes
21	303975 Seal	1	
22	RT612283 Rivet	8	
23	MTC7523 Cleat	1	
24	398776 Check strap	1	



Model DEFENDER 110 1987 onwards
Page AFNXIA3A

BODY - TAILBOARD - SIDE HINGED

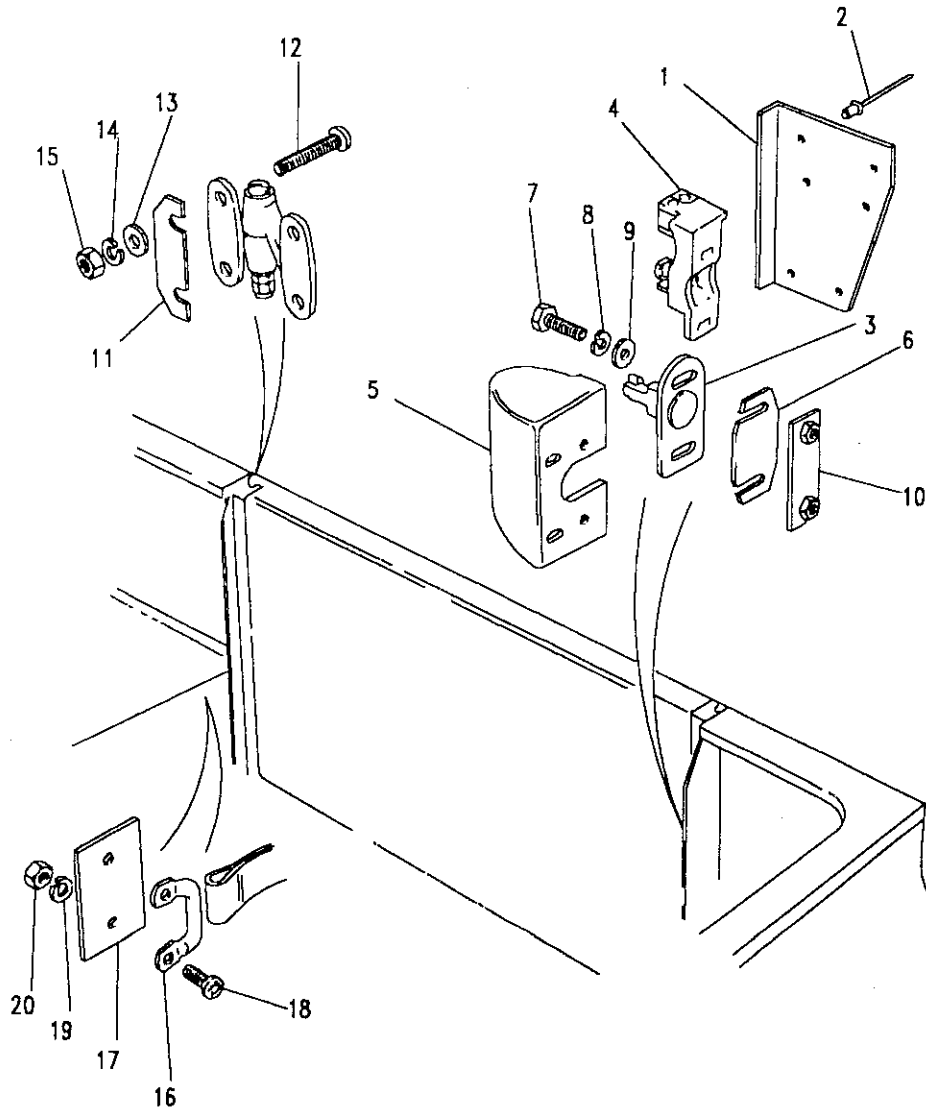
III. Part No.

Description

Qty Remarks

1	MUC9154	Corner Bracket RH	1	
	MUC9155	Corner Bracket LH	1	
2	78248	Rivet	5	
3	MRC8444	Striker lock	1	Note(1)
4	395294	Striker lock	1	Note(2)
	ALR4652	Striker lock	1	Upto KA929577
5	MRC9006	Shroud	1	From KA929578
6	347594	Packing piece	1	
7	SH106351	Screw	A/R	
	FS106201L	Flange screw	2	Note(3)
8	WL106001L	Washer spring	2	
9	WA106041L	Washer plain	2	Note(3)
	AFU1259	Washer plain	2	Note(4)
10	MRC9431	Nut plate	1	
11	395463	Plate cover	1	
12	SE108251	Screw	4	Upper hinge
13	WA108051L	Washer plain	4	
14	WL108001L	Washer spring	4	
15	FN108041L	Nut	4	

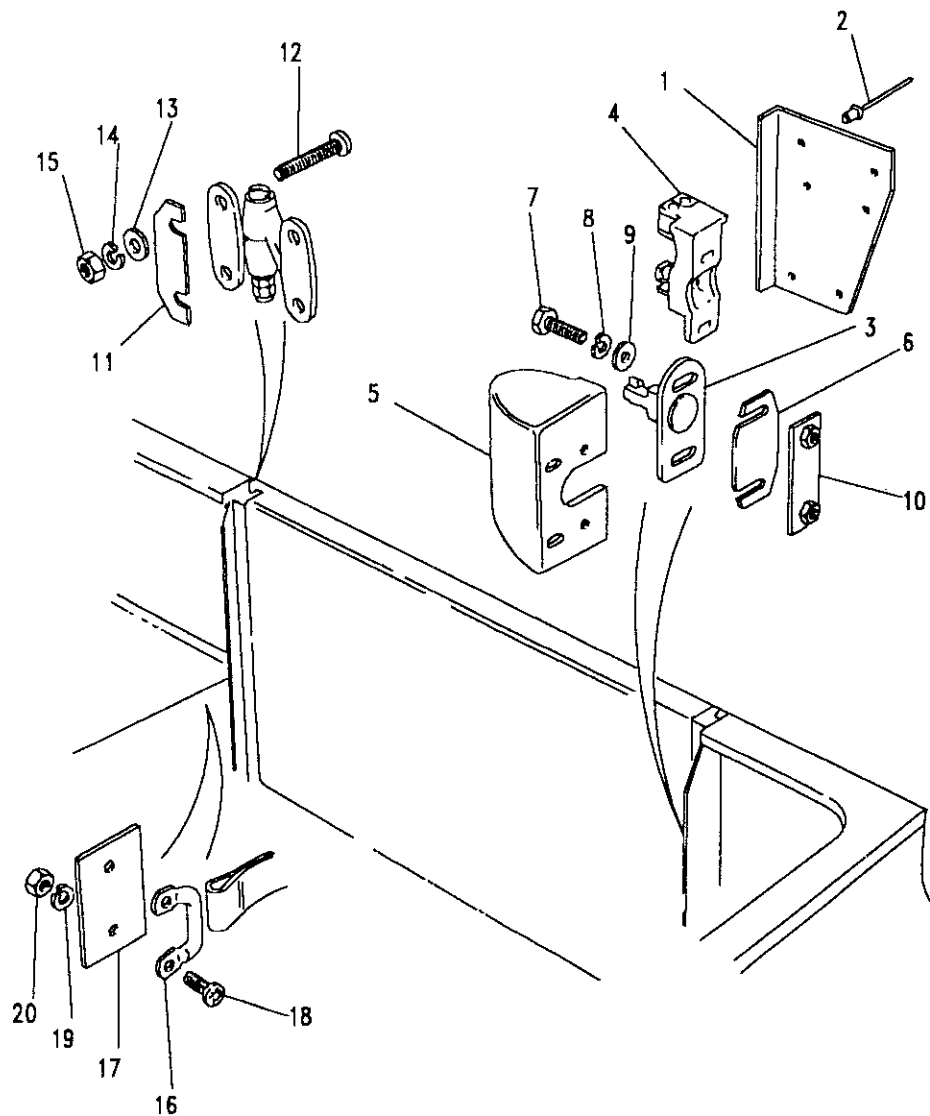
Note(1) Use with Lock MUC1028
 Note(2) Use with Lock 395041
 Note(3) Use with Striker MRC8444
 Note(4) Use With Striker 395294



Model DEFENDER 110 1987 onwards
Page AFNXIA3A

BODY - TAILBOARD - SIDE HINGED

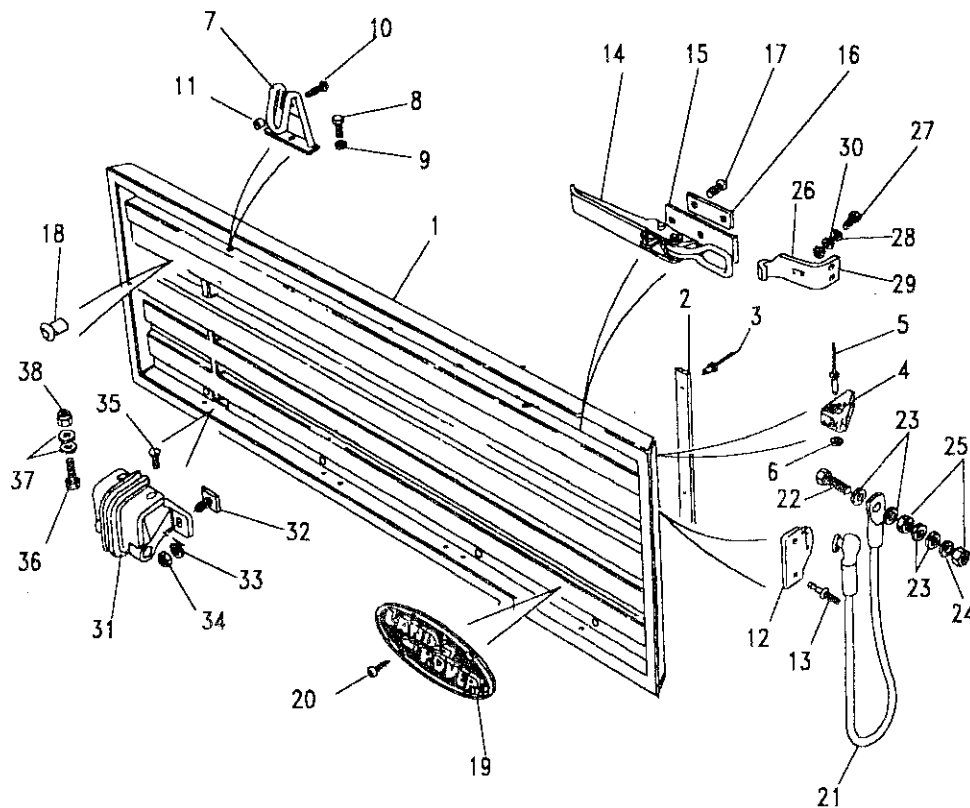
III. Part No.	Description	Qty	Remarks
16 MTC7523	Cleat	1	
17 MTC7525	Plate spreader	1	
18 SE108201	Screw	2	
19 WL108001L	Washer spring	2	
20 FN108041L	Nut	2	



Model DEFENDER 110 1987 onwards

Page AFNXIA4A

BODY - TAILGATE - HIGH CAPACITY PICK UP



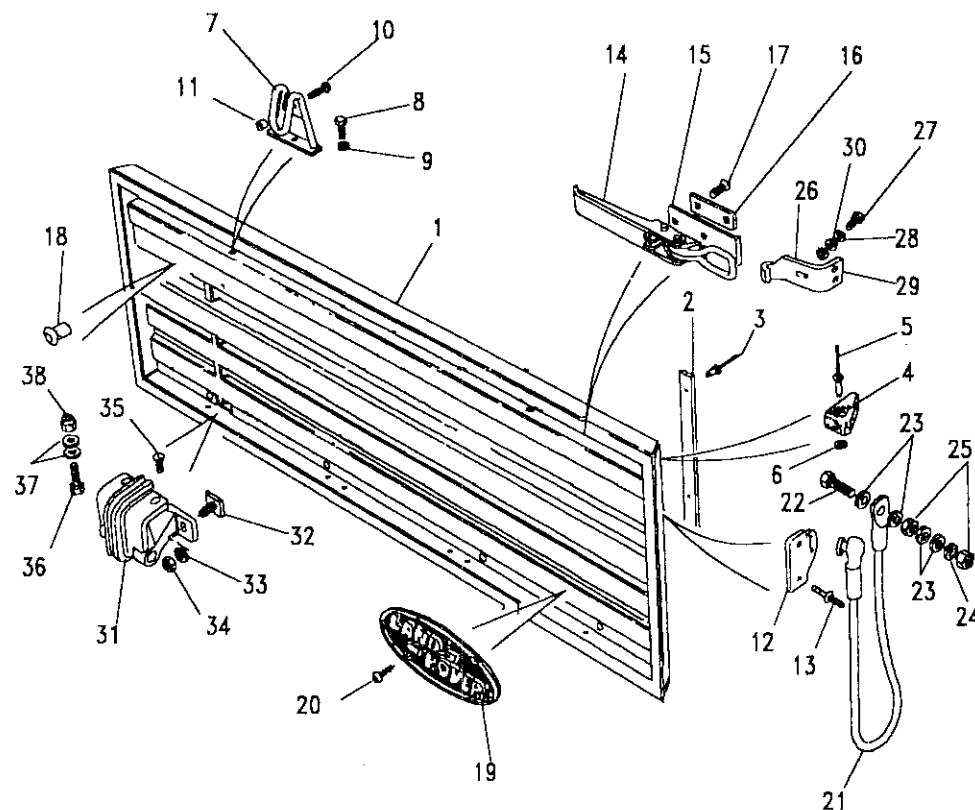
III. Part No.	Description	Qty	Remarks
1	MTC3908 Tailgate	1	
2	MTC3139 Strip wearing	3	
3	RU608183L Rivet	12	
4	MTC1531 Buffer stop	2	
5	RJ608603 Rivet	2	
6	WA103001L Washer plain	2	
7	MTC1439 Lashing bracket	2	
8	FS106201L Flange screw	2	
9	WL106001L Washer spring	2	
10	ACU3530 Rivet	2	
11	AAU6774 Collar	2	
12	MTC4824 Bracket cable	2	
13	AFU1841 Monobolt	4	
14	MTC3917 Latch	2	
15	MTC4846 Plate rubbing	2	
16	MTC4888 Plate spreader	2	
17	SF108251 Screw	4	
18	AFU1876 Rivet nut	2	Number plate lamp
19	MTC4460 Nameplate	1	Upto FA414615
20	AB606031L Screw	2	Upto FA414615

Note(1)

When fitting later type tailgate, it will only be drilled to accept the two outer hinges. To fit the two centre hinges, leave them bolted to the body and use them as a template to drill into the tailgate.

Model DEFENDER 110 1987 onwards
 Page AFNXIA4A

BODY - TAILGATE - HIGH CAPACITY PICK UP



III. Part No.	Description	Qty	Remarks
21	RRC5539 Retainer cable	2	
22	SH108301L Screw	2	
23	WA108051L Washer plain	8	
24	WL108001L Washer spring	2	
25	FN108041L Nut	4	
26	MTC4844 Catch RH	1	
	MTC4845 Catch LH	1	
27	SH106251L Screw	6	
28	WC106041L Washer plain	6	
29	WL106001L Washer spring	6	
30	WC106041L Washer plain	A/R	Adjustment
31	MTC3556 Hinge	4	
32	MTC3557 Tee bolt	8	Hinge to crossmber
33	WA108051L Washer plain	8	
34	FN108041L Nut	8	
35	SH106141L Screw	4	
36	FS108251L Screw	8	Hinge to tailboard
37	WA108051L Washer plain	16	
38	NY108041L Nut	8	
	MTC3923 Seal tailboard	1	

Note(1) When fitting later type tailgate, it will only be drilled to accept the two outer hinges. To fit the two centre hinges, leave them bolted to the body and use them as a template to drill into the tailgate.



Model DEFENDER 110 1987 onwards

Page AFNXJA1A

BODY - CAB BASE ASSEMBLY

III. Part No. Description Qty Remarks

Defender 110

1 MWC9340 Cab base assembly 1

Defender 130

1 RRC2491 Cab base assembly 1 Upto 14-11-88
 RRC6245 Cab base assembly 1 From 15-11-88
 2 MTC2106 Angle mounting RH 1
 MTC2107 Angle mounting LH 1
 3 MTC2224 Angle reinforcing RH 1
 MTC2225 Angle reinforcing LH 1

Fixings - Angle mounting to chassis

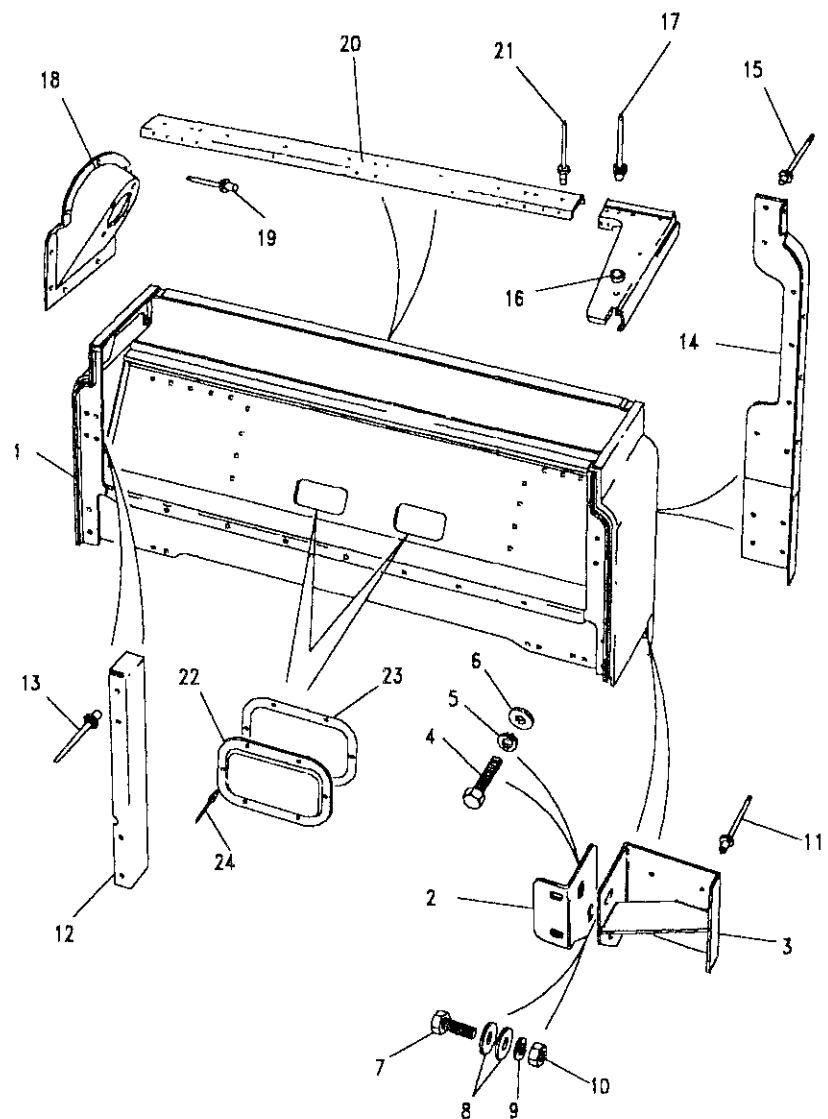
4 FS106167L Screw 4
 5 WL106001L Washer spring 4
 6 WA106041L Washer plain 4

Angle mounting to angle reinforcing

7 FS106167L Screw 4
 8 MRC5527 Washer plain 8
 9 WL106001L Washer spring 4
 10 NH106041L Nut 4

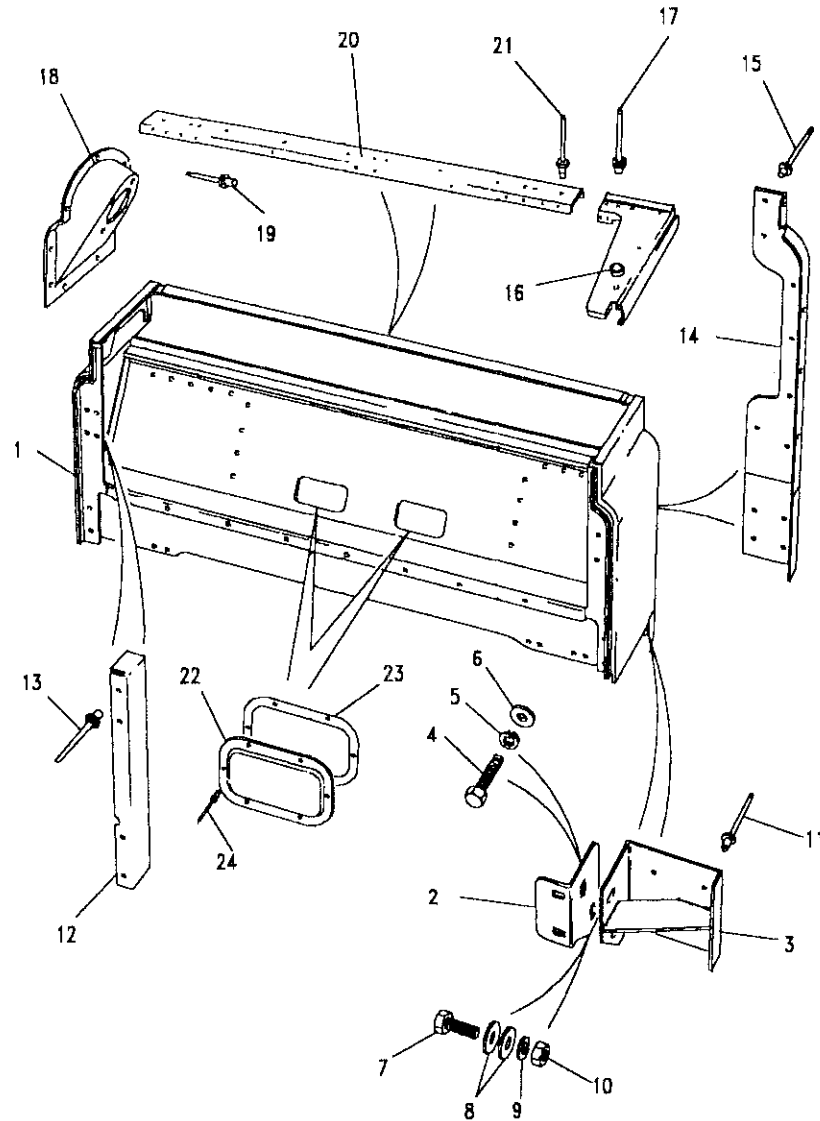
Angle reinforcing to cab base

11 78248 Rivet 8



Model DEFENDER 110 1987 onwards
 Page AFNXJA1A

BODY - CAB BASE ASSEMBLY



III. Part No.	Description	Qty	Remarks
12 MWC1820	Stiffener door pillar RH	1	
MWC1821	Stiffener door pillar LH	1	
13 AFU1350	Monobolt	4	
14 MUC8756	Angle corner protctn LH	1)Up to
MUC8755	Angle corner protctn RH	1)Jan 1990
ALR1466	Angle corner protctn LH	1)From
ALR1467	Angle corner protctn RH	1)Jan 1990
ALR1468	Angle corner protctn RH	1	Note(1)
15 78248	Rivet	26	
16 MWC3321	Capping corner LH	1	Note(3)
MWC3320	Capping corner RH	1	Note(3)
17 78248	Rivet	8	
18 330366	Cowl side fuel filler	1	Note(1)and(2)
MUC9158	Cowl side fuel filler	1	Note(1)and(3)
19 78248	Rivet	9	
20 MWC2938	Capping bulkhead	1	Note(3)
21 RU612373L	Rivet	39	
22 MUC6519	Plate cover cab base	2	
23 MWC2129	Gasket	2	
24 78248	Rivet	12	

Note(1) Vehicles with additional fuel tank
 Note(2) Galvanised-not suitable for painting
 Note(3) Galvanised and treated-suitable for painting

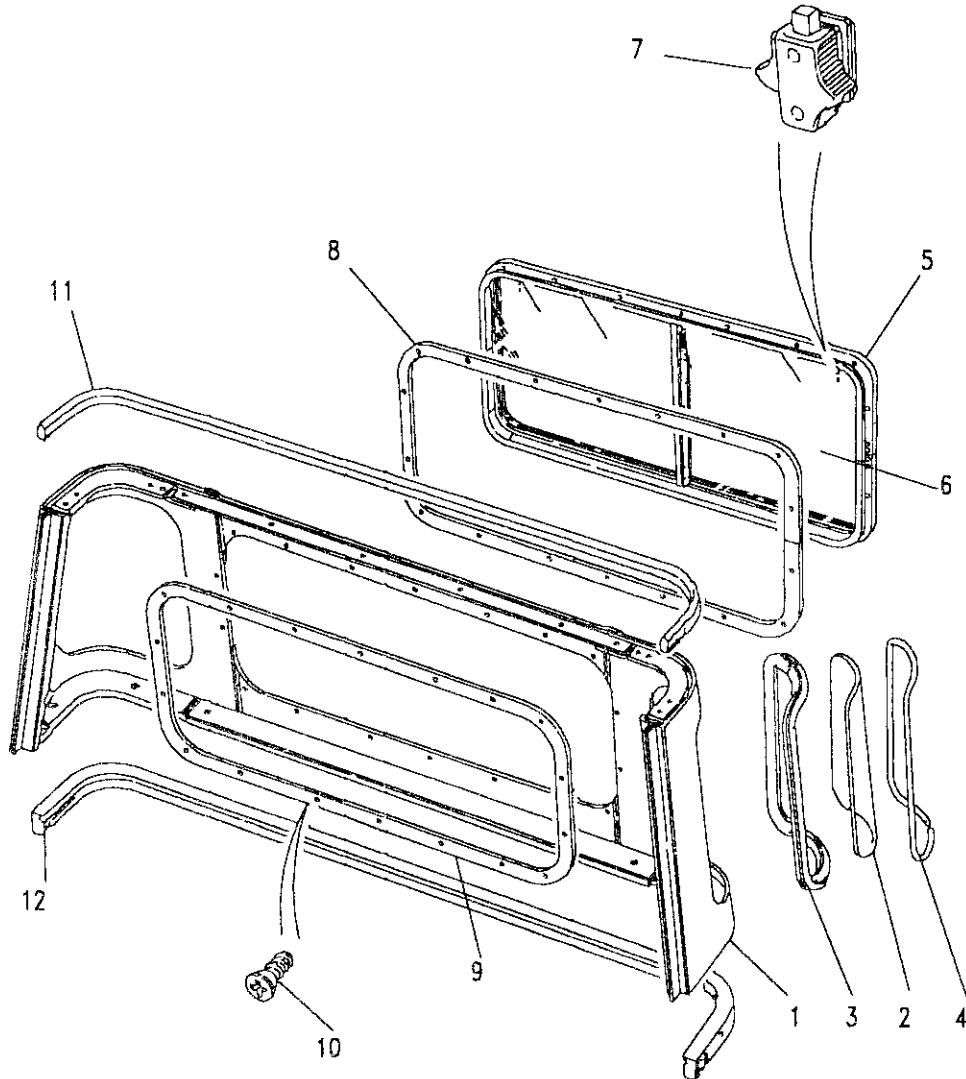


Model DEFENDER 110 1987 onwards
Page AFNXJC1A

BODY - CAB REAR PANEL

III. Part No.	Description	Qty	Remarks
1	RTC6222	1	
2	MTC3461	1	Note(1)
	MTC3462	1	Note(1)
	MWC4710	1	Note(2)
	MWC4711	1	Note(2)
3	330790	2	Note(1)
	MWC4773	2	Note(2)
	ALR3966	1	Upto KA926003
4	330791	2	From KA926004
5	MTC5197	1	Note(1))
6	MTC6544	2	
7	AEU2805	1	
	AEU2806	1	
5	MWC4762	1	Note(2)
	ALR5080	1	Upto KA930143
			Note(2)
			From KA930144
6	MWC4726	2	
7	MWC7625	1	
	MWC7648	1	
	MWC7620	2	
	MWC7652	1	

Note(1) 5mm glass - Upto 342383
 Note(2) 4mm glass - From 342384



Model DEFENDER 110 1987 onwards

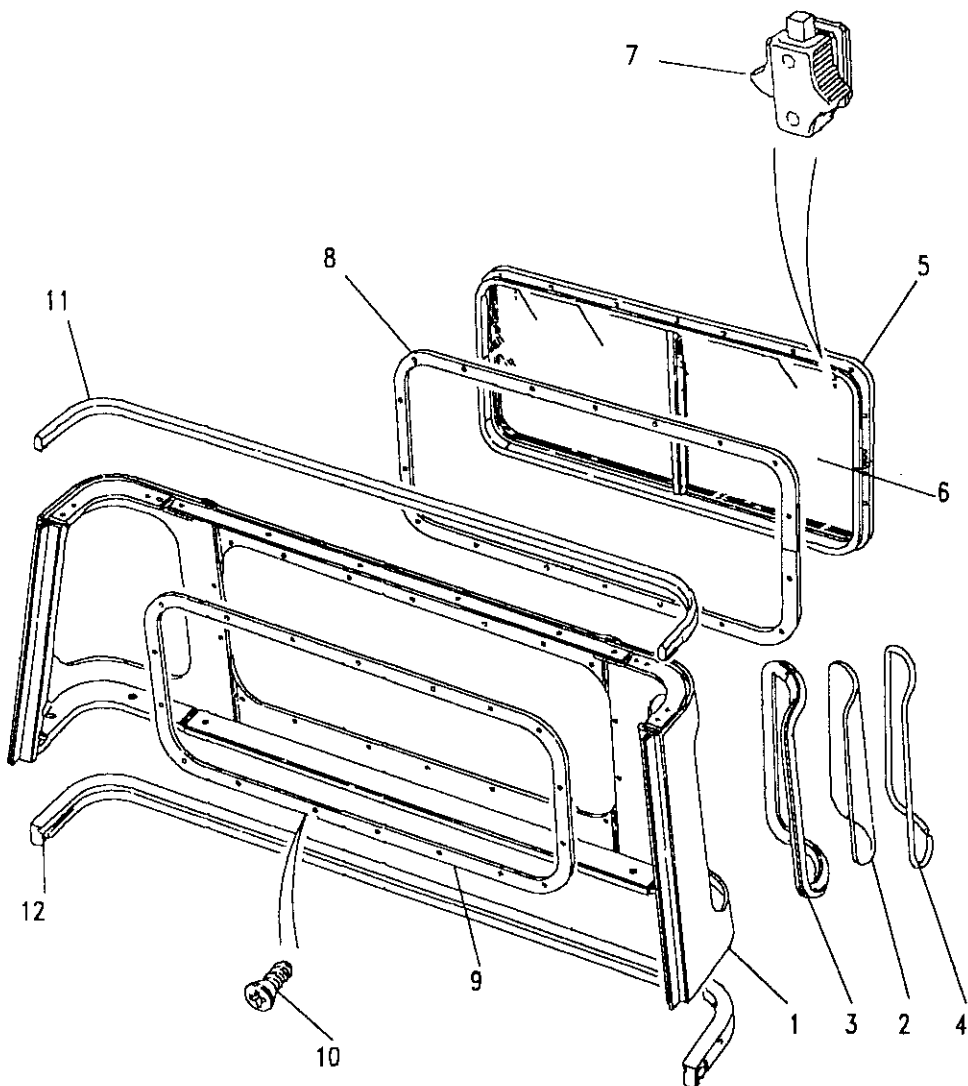
Page AFNXJC1A

BODY - CAB REAR PANEL

III. Part No.	Description	Qty	Remarks
8	MTC6233 Seal window	1	Upto 307407
	MWC7641 Seal window	1	From 307408
9	MTC6232 Finisher window	1	Upto KA930143
10	AS604044 Screw	18	Upto KA930143
	RU610253 Rivet	18	From KA930144
11	334614 Seal upper	1	
12	333486 Seal lower	1	Upto HA479376
	ALR1161 Seal lower	1	From HA479377
	ALR5057 Seal waist	1	Upto KA925389 From KA925390

Finisher - Top corner flanges of panel rear cab
MTC7513 Strip edging

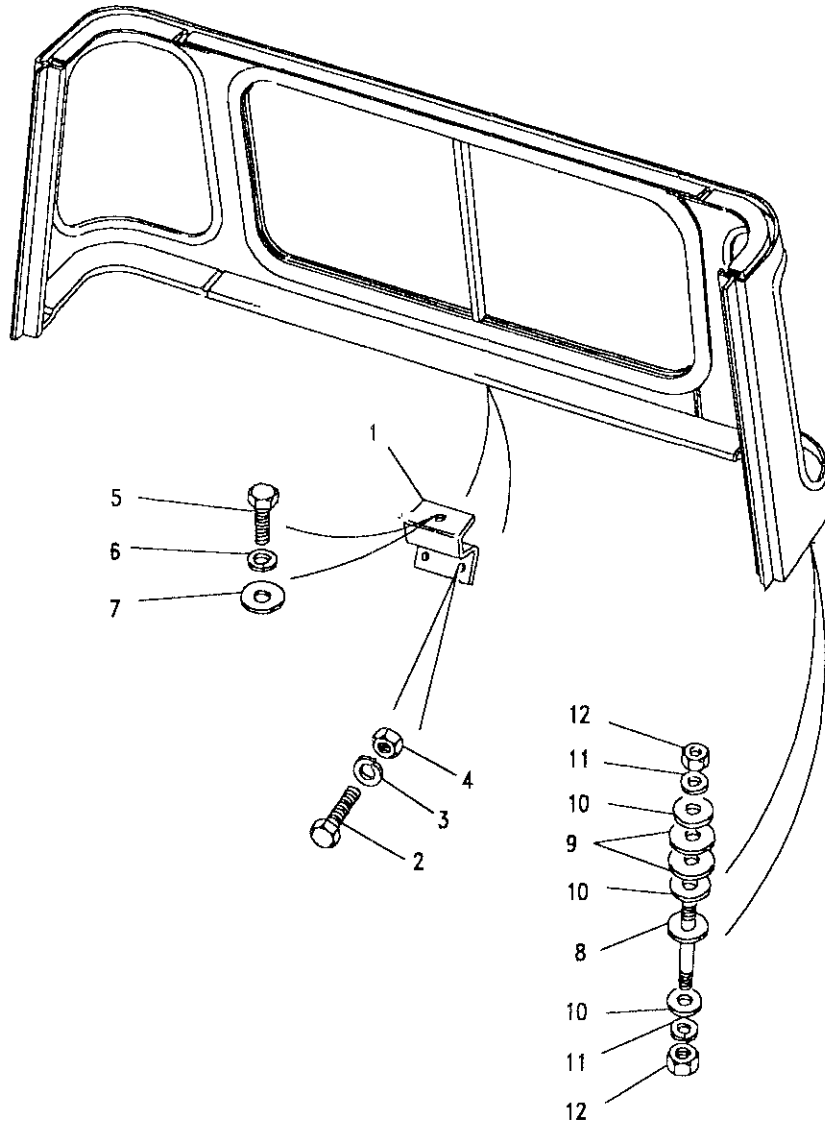
A/R





Model DEFENDER 110 1987 onwards
Page AFNXJC2A

BODY - CAB REAR PANEL



III. Part No.	Description	Qty	Remarks
1 336577	Bracket mounting	4	
2 SH106251L	Screw	8	
3 WL106001L	Washer spring	8	
4 NH106041L	Nut	8	
5 SH607091L	Screw	4	
6 WM600071L	Washer spring	4	
7 4580	Washer plain	4	
8 MUC8928	Stud mounting	2	
9 WP185L	Washer plain	4	
10 WC112081L	Washer plain	6	
11 WL108001L	Washer spring	4	
12 FN108041L	Nut	4	



Model DEFENDER 110 1987 onwards

Page AFNXKC1A

BODY - REAR BODY LOWER - NON STATION WAGON

III. Part No. Description Qty Remarks

Rear Fuel filler aperture - WITH rope cleats

1	MUC3958	Body rear lower assembly	1	
2	RTC6246	Panel front	1	
3	MUC3964	Bodyside & wheelarch RH	1	
4	MUC3302	Bodyside Panel RH	1	

Rear Fuel filler aperture - NO rope cleats

1	RTC5705	Body rear lower assembly	1	Up to MA
1	ALR7105	Body rear lower assembly	1	From MA
2	RTC6246	Panel front	1	
3	RTC5707	Bodyside & wheelarch RH	1	Up to MA
	ALR7106	Bodyside & wheelarch RH	1	From MA
4	RTC5710	Bodyside Panel RH	1	

Front & rear fuel filler apertures - WITH rope cleats

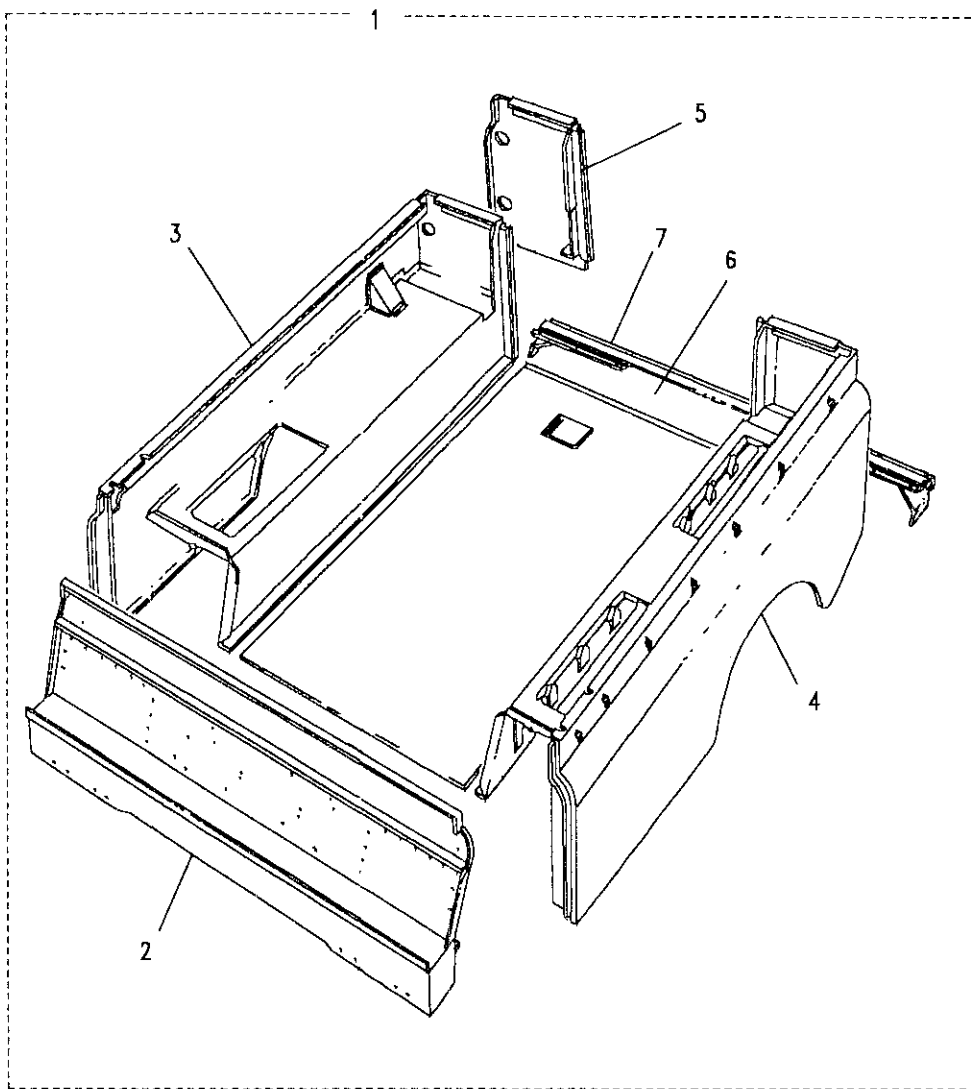
1	MUC3971	Body rear lower assembly	1	
2	MWC7665	Panel front	1	
3	MUC3974	Bodyside & Wheelarch RH	1	
4	MUC3309	Bodyside Panel RH	1	

Front fuel filler apertures - WITH rope cleats

1	MUC9142	Body rear lower assembly	1	
2	MWC7665	Panel front	1	
3	MUC9136	Bodyside & Wheelarch RH	1	
4	RTC6257	Bodyside Panel RH	1	

No fuel filler apertures - NO rope cleats

1	RTC5706	Body rear lower assembly	1	
2	MWC7665	Panel front	1	
3	RTC5708	Bodyside & Wheelarch RH	1	
4	RTC5711	Bodyside Panel RH	1	





Model DEFENDER 110 1987 onwards

Page AFNXXC1A

BODY - REAR BODY LOWER - NON STATION WAGON

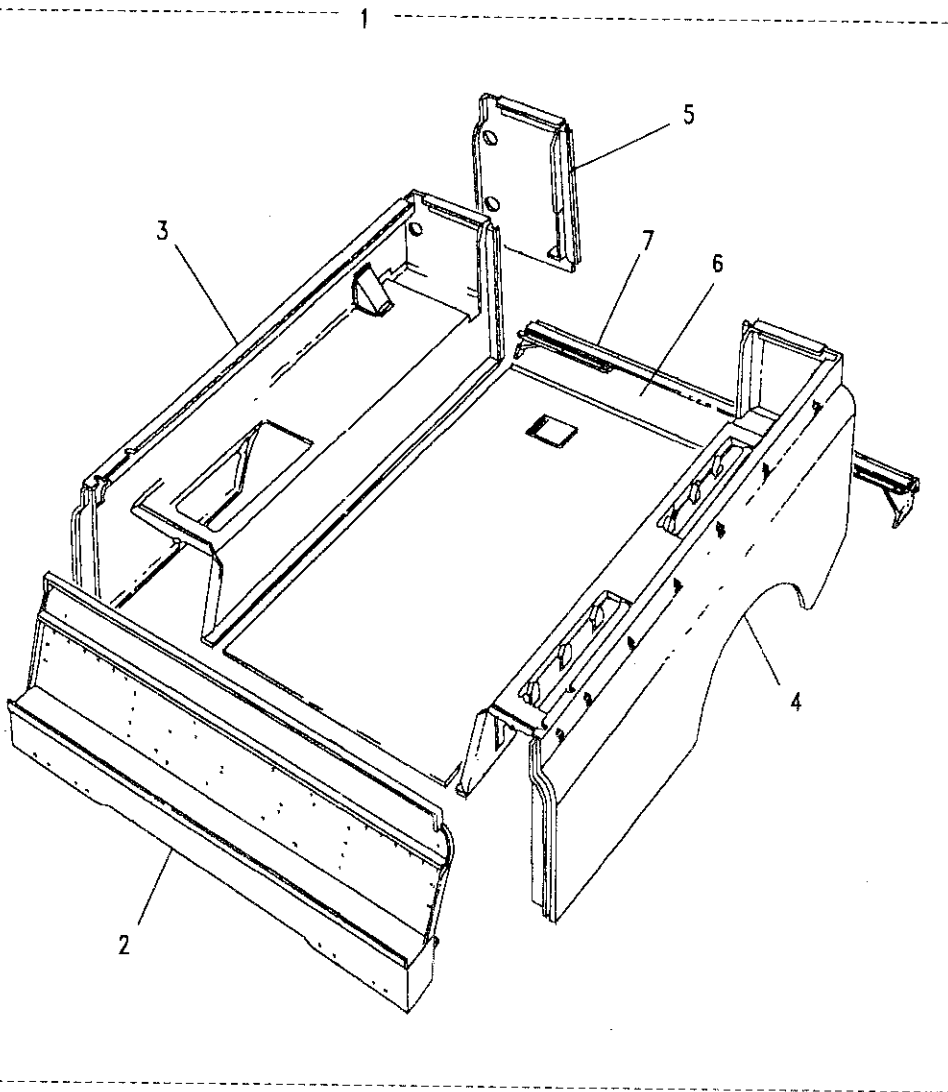
III. Part No. Description Qty Remarks

WITH rope cleats

3	MUC3963	Bodyside & Wheelarch LH	1	
4	MUC3303	Bodyside Panel LH	1	

NO rope cleats

3	RTC5709	Bodyside & Wheelarch LH	1	Up to MA
	ALR7107	Bodyside & Wheelarch LH	1	From MA
4	RTC5712	Bodyside Panel LH	1	
5	MTC7980	Panel rear end RH	1	
	MTC7981	Panel rear end LH	1	
6	MUC3962	Plate floor	1	
7	330271	Angle mounting rear	1	
	78248	Rivet	A/R	
	RU612373L	Rivet	A/R	





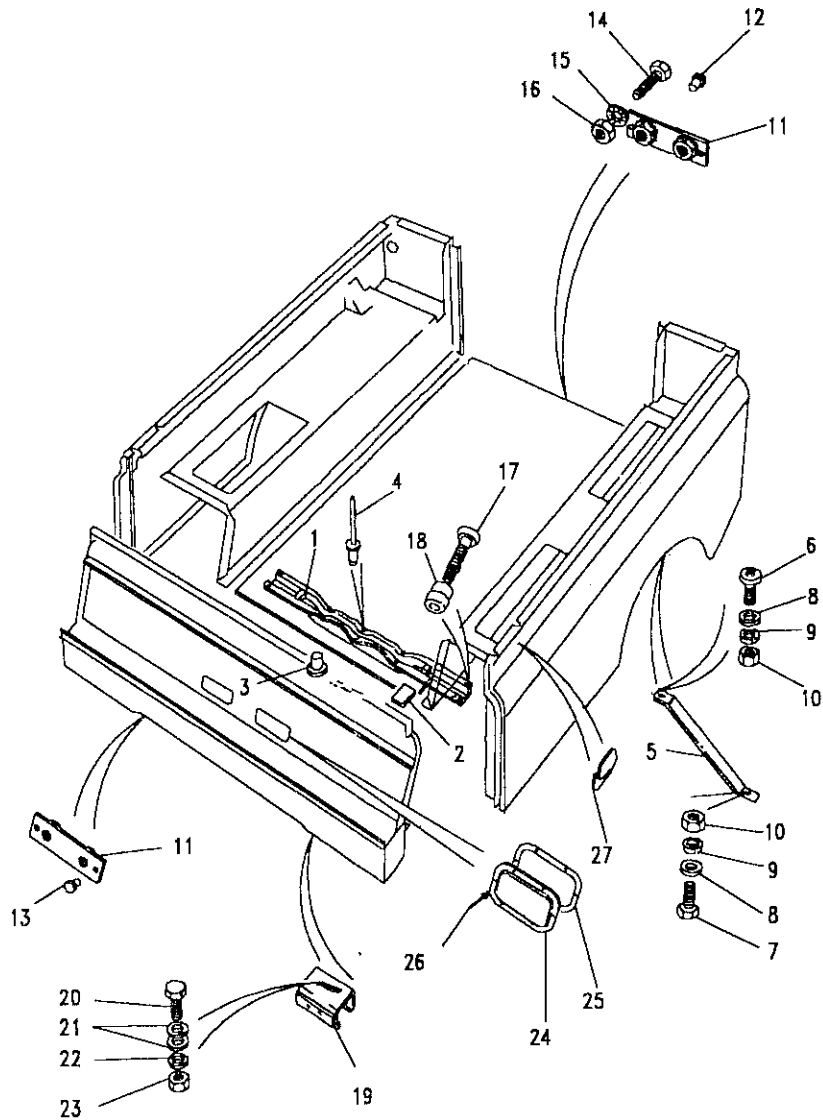
Model DEFENDER 110 1987 onwards
 Page AFNXKC2A

BODY - REAR BODY LOWER - NON STATION WAGON

III. Part No.	Description	Qty	Remarks
1	MUC8949	6	Crossmember
2	332582	12	Pad mounting
3	RU612373L	24	Rivet
4	78248	36	Rivet
5	MRC6027	1	Stay RH
	MRC6028	1	Stay LH
6	SE106201L	2	Screw
			Stay to floor
7	FS106201L	2	Flange screw
8	WA106041L	4	Washer plain
9	WL106001L	4	Washer spring
10	NH106041L	4	Nut
11	MRC8736	7	Nut plate
12	RB610082	6	Rivet
			Front
13	78248	8	Rivet
			Rear

Body to chassis at rear

14	SX108251	10	Screw
15	WF600051L	14	Washer shakeproof
	WL108001L	14	Washer spring
16	FN108041L	10	Nut

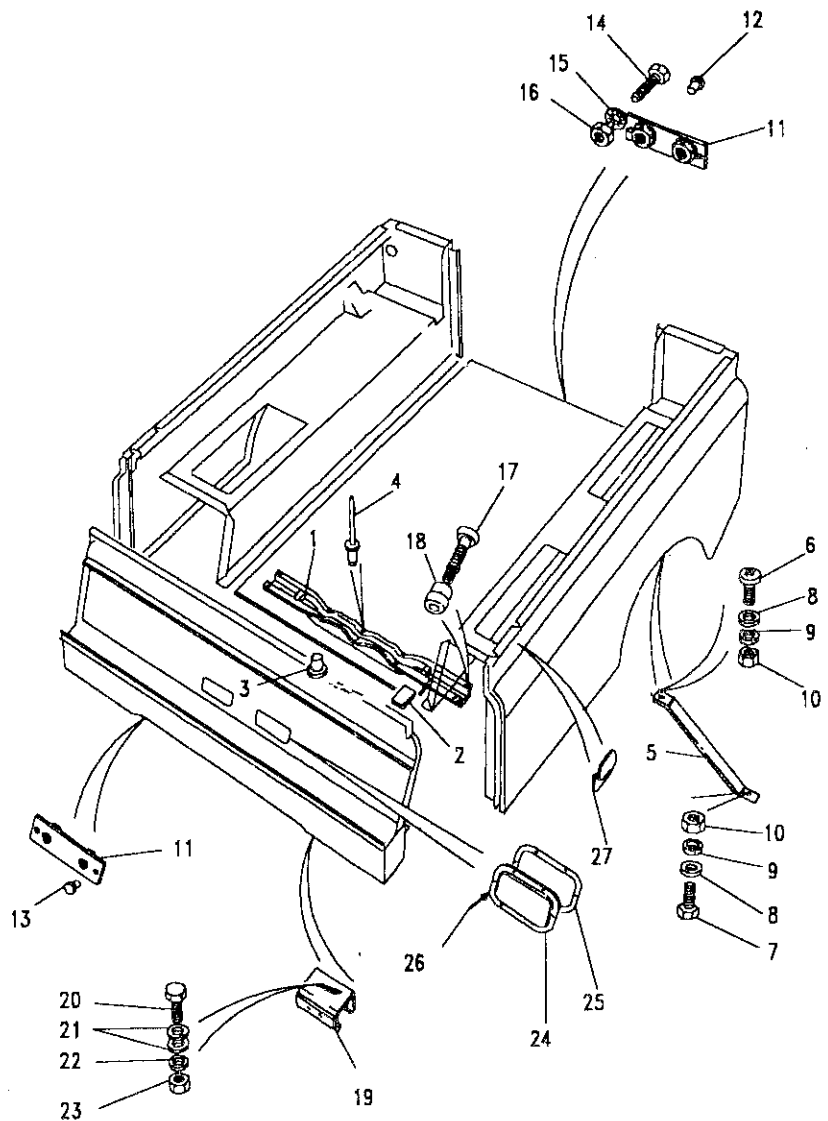


Model DEFENDER 110 1987 onwards
Page AFNXKC2A

BODY - REAR BODY LOWER - NON STATION WAGON

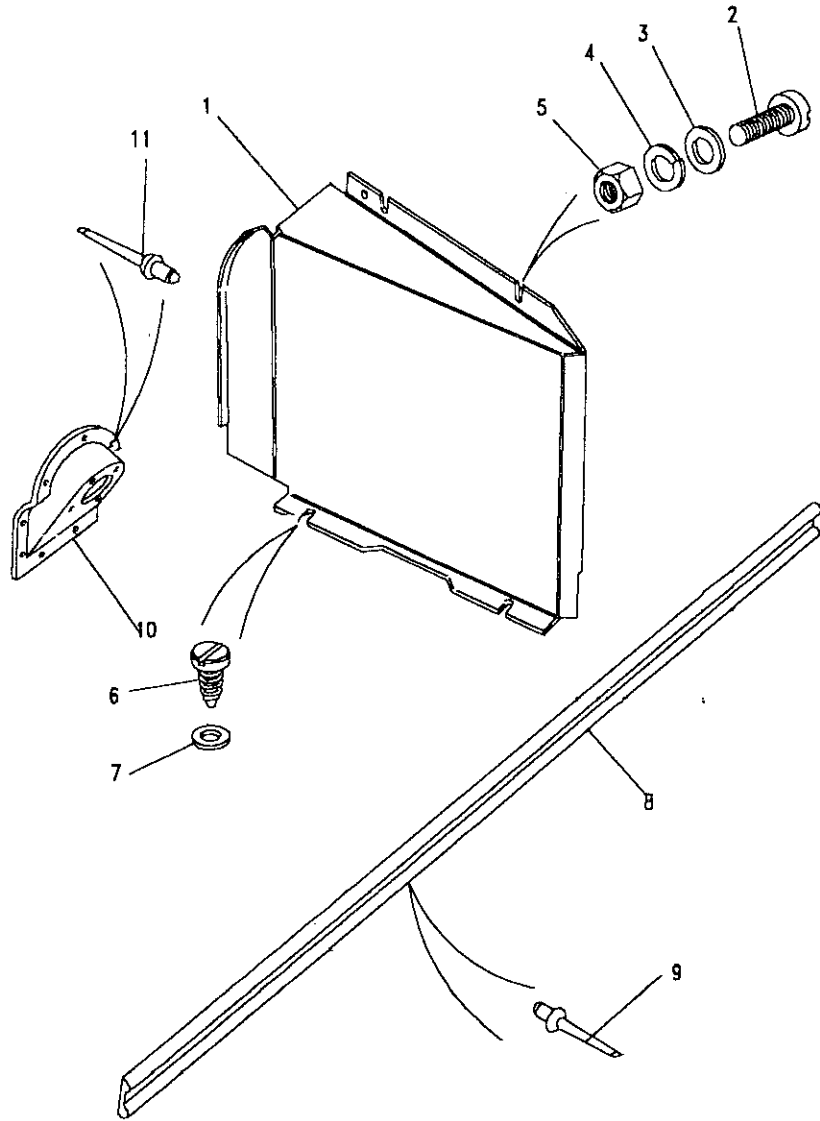
III. Part No.	Description	Qty	Remarks
17 79281	Pin	A/R	
79283	Pin	A/R	
79293	Pin	A/R	
18 79289	Collar	A/R	
19 MTC3046	Bracket mounting	2	
20 FS108207L	Screw	4	
21 WA108051L	Washer plain	8	
22 WL108001L	Washer spring	4	
23 FN108041L	Nut	4	
Front mounting member to chassis			
FS108207L	Screw	8	
WA108051L	Washer plain	8	
WL108001L	Washer spring	8	
FN108401	Nut	8	
24 MUC6519	Plate cover	2	
25 MWC2129	Gasket	2	
26 78248	Rivet	12	
27 301328	Rope cleat	10	Note(1)
MUC3932	Cover rope cleat	10	Germany

Note(1) Vehicles with hood assembly



Model DEFENDER 110 1987 onwards
Page AFNXKC3A

BODY - REAR BODY LOWER - NON STATION WAGON

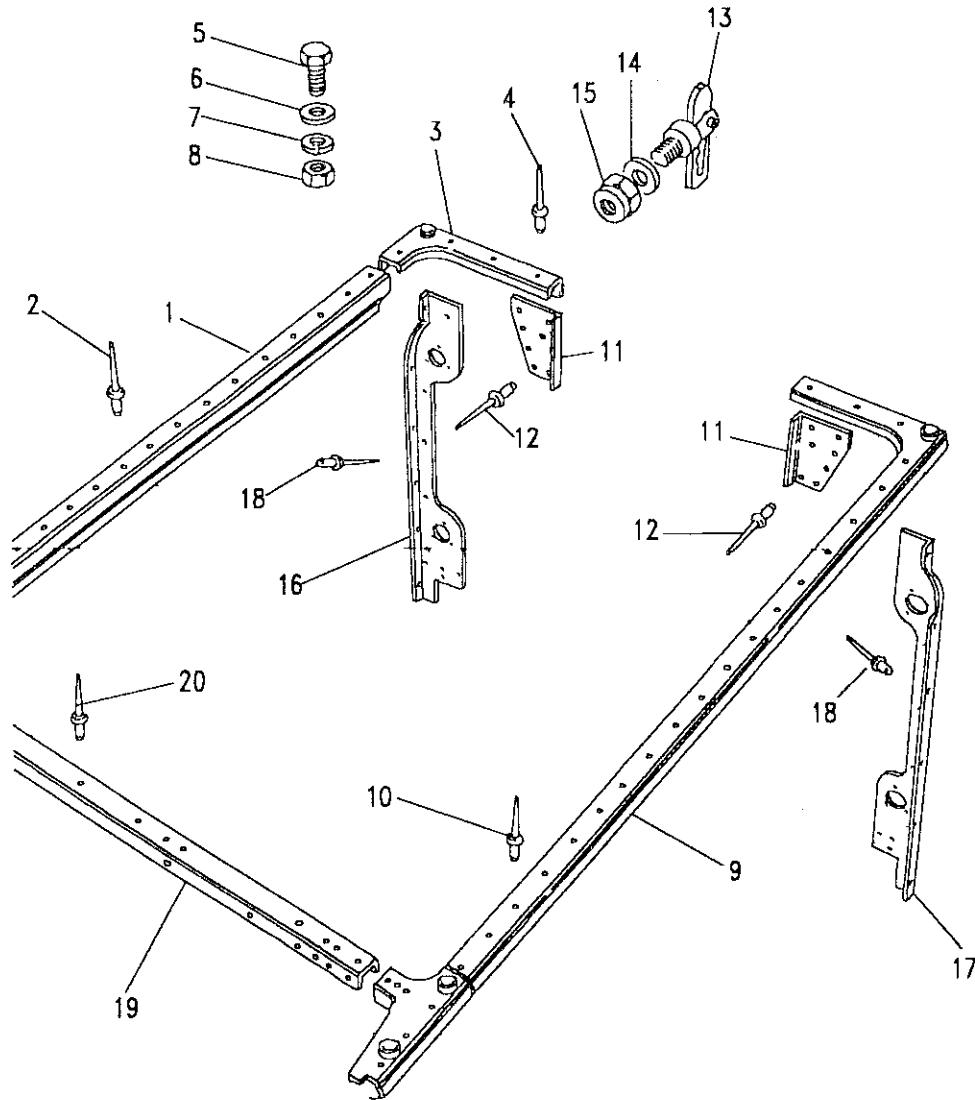


III. Part No.	Description	Qty	Remarks
1	MRC2244	1	Rear lamps
	MRC2245	1	Rear lamps
2	SP105121	4	
3	WC105001L	4	
4	WL105001L	4	
5	NM105011	4	
6	AB608031L	4	
7	WC105001L	4	
8	330615	3	
9	78248	39	
10	MUC9158	1	
11	RU612373L	9	

Model DEFENDER 110 1987 onwards

Page AFNXKC4A

BODY - REAR BODY LOWER - NON STATION WAGON



III. Part No. Description Qty Remarks

1	MWC2120	Top capping RH	1	
	MWC2121	Top capping LH	1	
2	78248	Rivet	38	
	RU612373L	Rivet	16	
3	MWC3316	Corner capping RH	1	
	MWC3317	Capping bodyside	1	
4	RA612373L	Rivet	12	
	78248	Rivet	4	
5	FS106201L	Flange screw	2) Note(3)
6	WA106001L	Washer plain	4	
7	WL106001L	Washer spring	2	
8	NH106041L	Nut	2)
9	MXC5973	Capping RH	1	
	MXC5974	Capping LH	1	
10	78248	Rivet	62	

Pierced - Vehicles with tailboard

11	MUC8730	Corner Bracket RH	1	
	MUC8731	Corner Bracket LH	1	

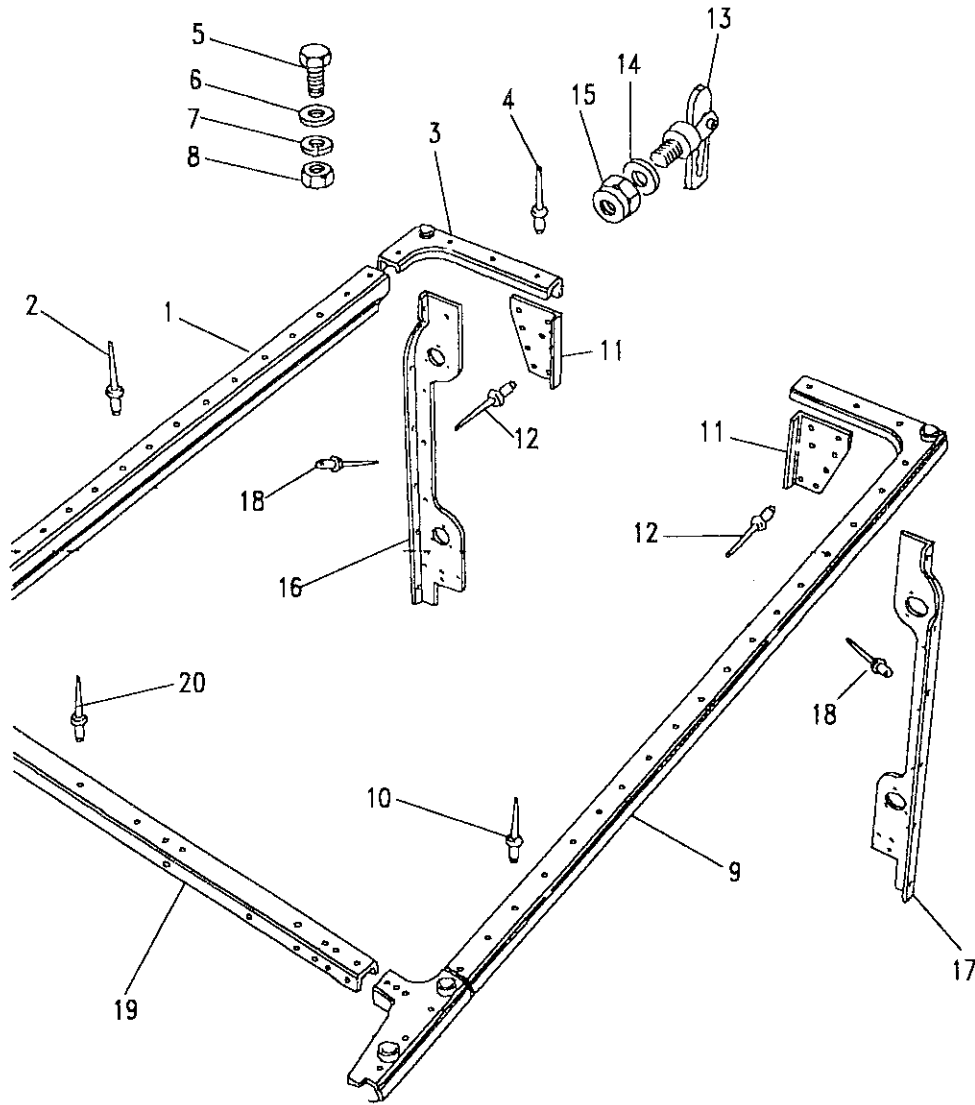
Plain - Vehicles with rear end door

	MUC9154	Corner Bracket RH	1	
	MUC9155	Corner Bracket LH	1	
12	RU612373L	Rivet	6	
	78248	Rivet	4	



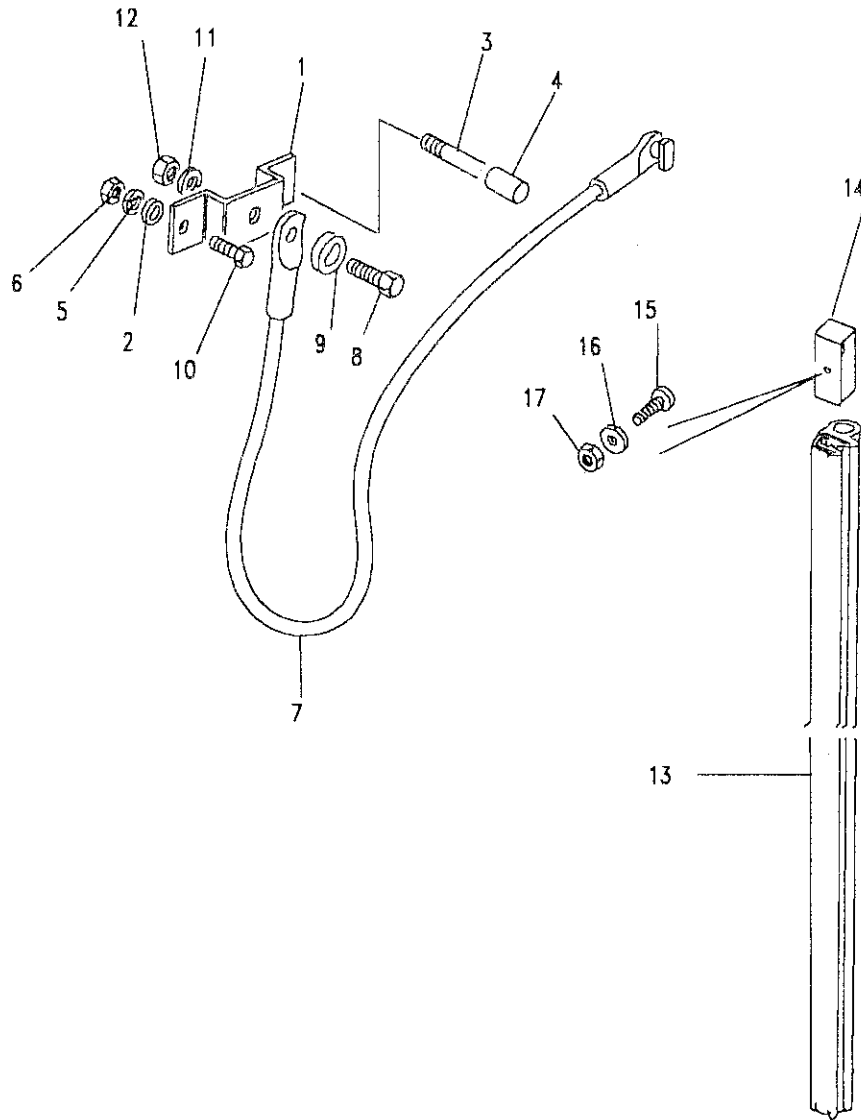
Model DEFENDER 110 1987 onwards
Page AFNXKC4A

BODY - REAR BODY LOWER - NON STATION WAGON



III. Part No.	Description	Qty	Remarks
13	MUC8748 Antiluce cotter	2	
14	WA112081L Washer plain	2	
15	NY112041L Nut	2	
16	MUC8716 Angle protection RH	1)Up to
	MUC8717 Angle protection LH	1)March 1990
17	MXC8934 Angle protection RH	1)From
	MXC8935 Angle protection LH	1)March 1990
18	78248 Rivet	30	
19	MWC2938 Capping front panel	1	
20	RA612373L Rivet	39	
	MTC8334 Cover lower end	2	Germany
	RU608313L Rivet	2	Germany





Model DEFENDER 110 1987 onwards

Page AFNXKC5A

BODY - REAR BODY LOWER - NON STATION WAGON

III. Part No.	Description	Qty	Remarks
1	MUC8759 Bracket cable	2	
2	FS106167L Screw	4	
3	RRC5533 Stud	2	From EA351579
4	RRC5677 Cap	2	From EA351579
5	WL106001L Washer spring	4	
6	NH106041L Nut	4	
7	RRC5539 Cable tailboard	2	
8	FS108251L Screw	2	
9	WC108051L Washer plain	2	From EA351579
10	NT108041L Nut	2	From EA351579
11	WA108051L Washer plain	2	Upto EA351578
12	FN108041L Nut	2	Upto EA351578
	WC108051L Washer plain	2	From EA351579
	NT108041L Nut	2	From EA351579
13	MTC4164 Seal RH	1	
	MTC4165 Seal LH	1	
14	332146 Buffer tailboard	2	
15	SP104121 Screw	2	
16	WC104001L Washer plain	2	
17	NH104041L Nut	2	



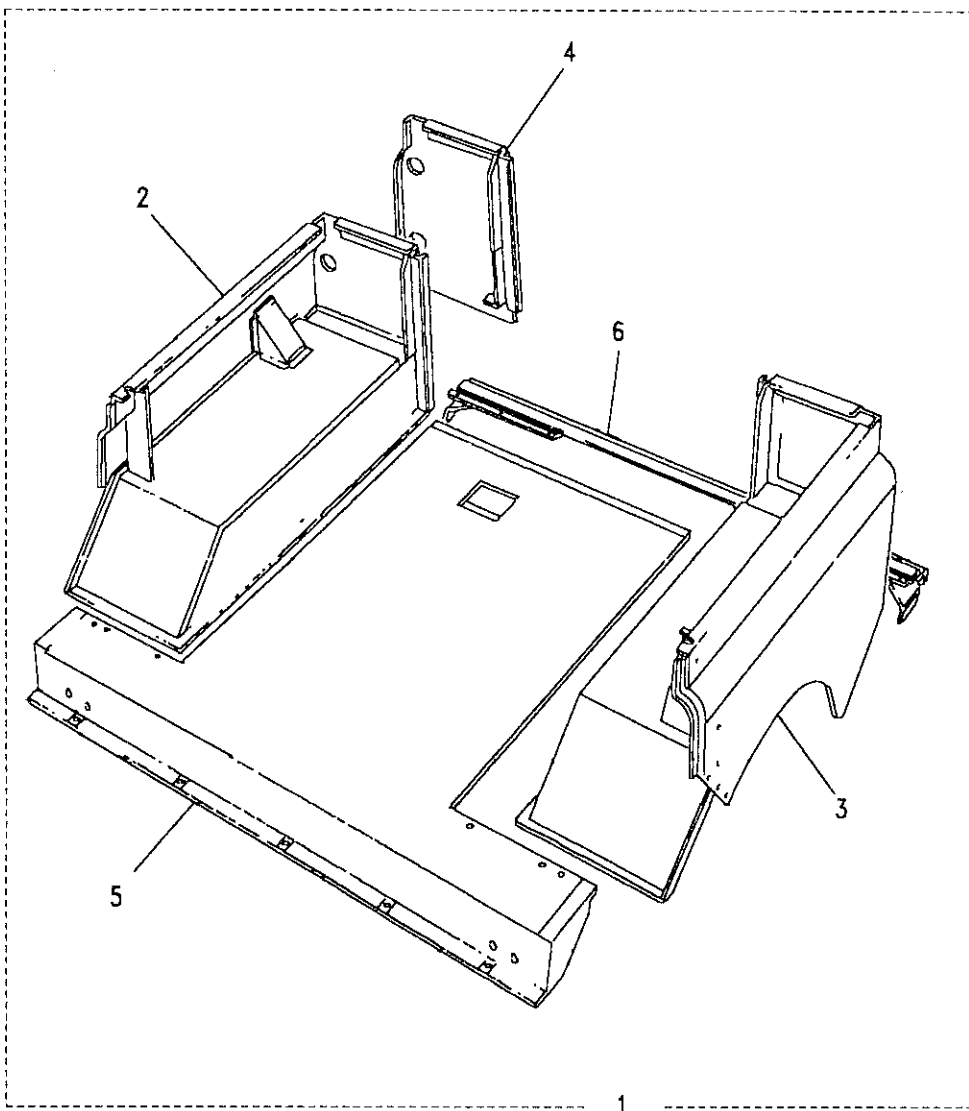


Model DEFENDER 110 1987 onwards

Page AFNXKE1A

BODY - REAR BODY LOWER - STATION WAGON

III. Part No.	Description	Qty	Remarks
1 MWC6143	Body rear lower assembly	1	Up to LA939975
ALR5987	Body rear lower assembly	1	From MA939976
2 MTC7886	Bodyside & wheelarch RH	1	
MTC7887	Bodyside & wheelarch LH	1	
3 RTC6291	Panel bodyside RH	1	
MRC5071	Panel bodyside LH	1	
4 MTC7980	Panel rear end RH	1	
MTC7981	Panel rear end LH	1	
5 MWC6145	Floor	1	
6 MTC1039	Angle mounting rear	1	
78248	Rivet	A/R	
RU612373L	Rivet	A/R	





Model DEFENDER 110 1987 onwards
 Page AFNXKE2A

BODY - REAR BODY LOWER - STATION WAGON

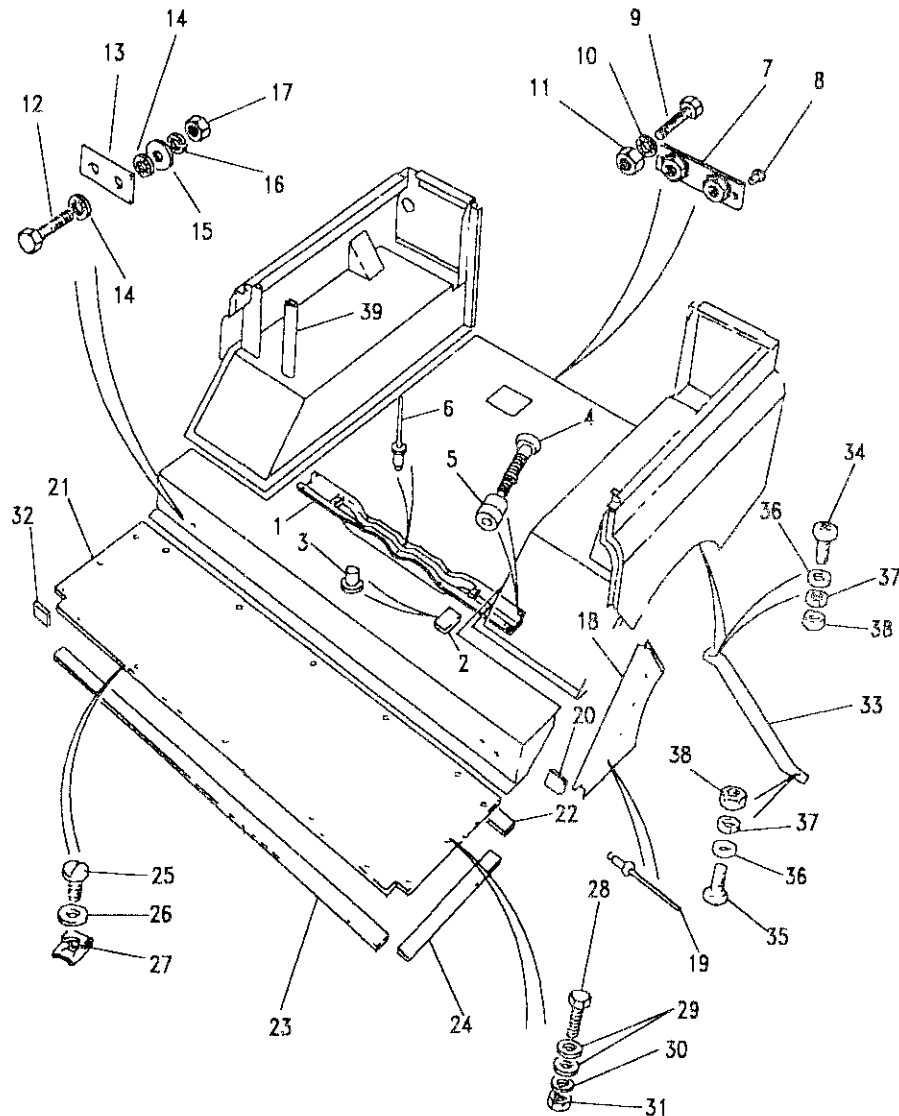
III. Part No.	Description	Qty	Remarks
1	MUC8949	4	Crossmember
2	332582	8	Pad mounting
3	RU612373L	16	Rivet
4	79283	A/R	Pin
	79293	A/R	Pin
5	79289	A/R	Collar
6	78248	24	Rivet
7	MRC8736	3	Nut plate
8	RB610082	6	Rivet

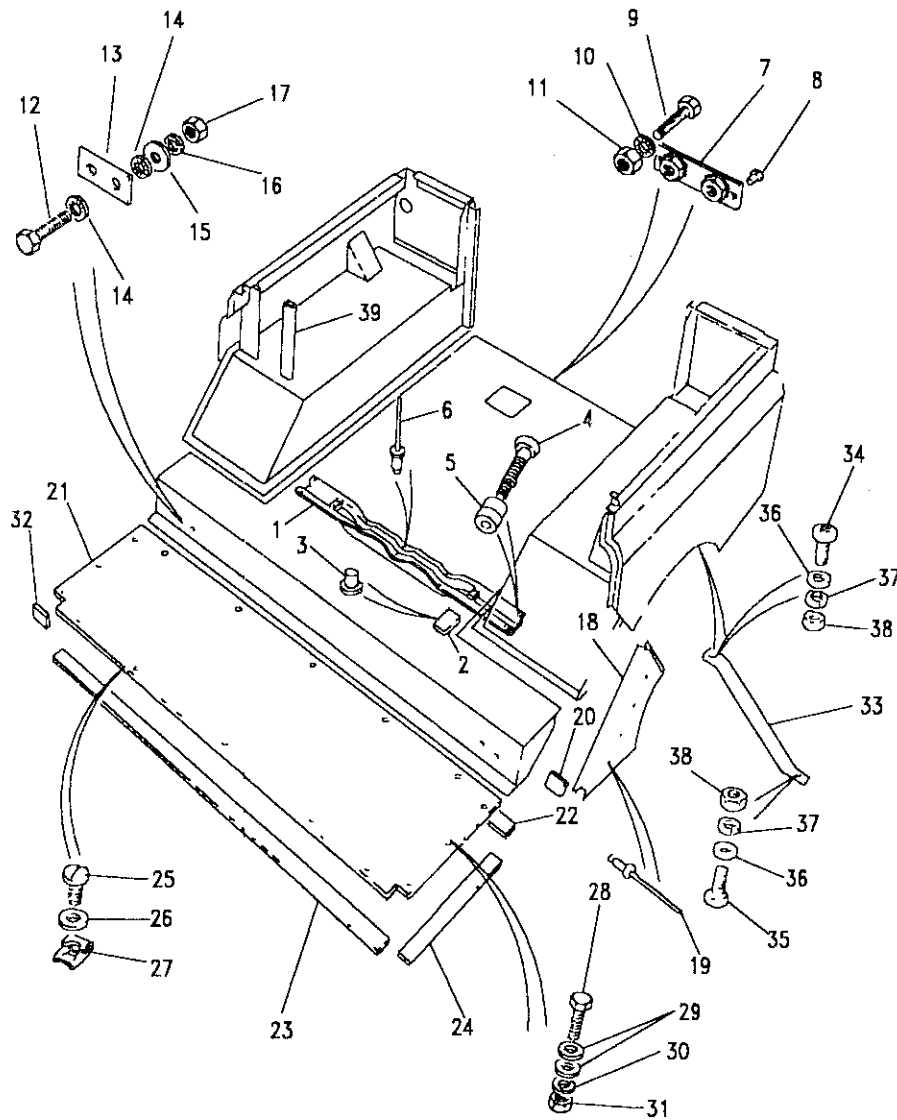
Body to chassis at rear

9	SX108251	10	Screw	
	SE108251	10	Screw	Germany
10	WF600051L	14	Washer shakeproof	
11	FN108041L	10	Nut	

Rear heelboard to chassis

12	SH108401L	4	Screw
13	305232	10	Shim
14	WF600051L	8	Washer shakeproof
15	AFU1079	4	Washer plain
16	WC108051L	4	Washer spring
17	FN108041L	4	Nut





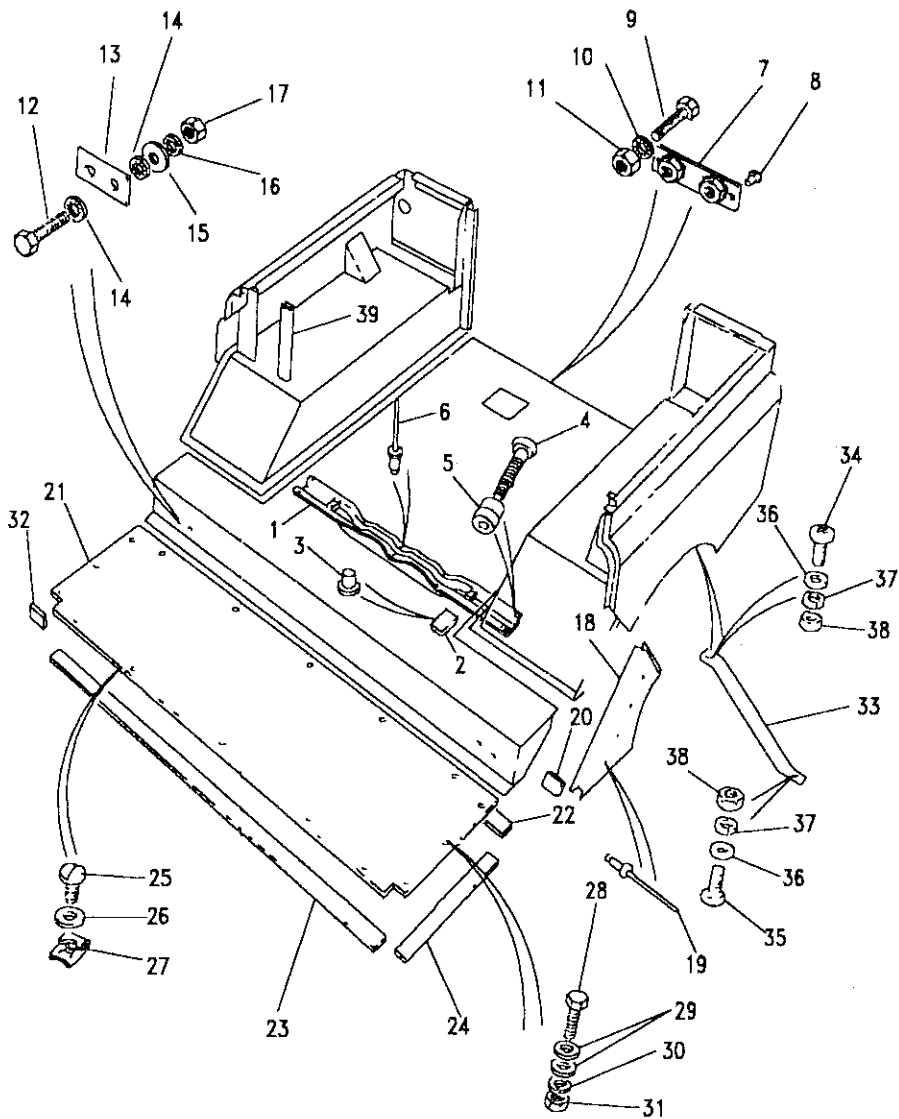
Model DEFENDER 110 1987 onwards

Page AFNXKE2A

BODY - REAR BODY LOWER - STATION WAGON

Ill. Part No.	Description	Qty	Remarks
Front mounting member to chassis			
FS108207L	Screw	8	
WA108051L	Washer plain	8	
WL108001L	Washer spring	8	
FN108041L	Nut	8	
Defender 110			
18 MRC6436	Panel extension RH	1	
MRC6437	Panel extension LH	1	
Defender 130			
18 RRC6216	Panel extension RH	1	
RRC6215	Panel extension LH	1	
19 78248	Rivet	22	
20 333263	Seal	2	
21 RTC6270	Floor intermediate	1	
22 MRC8626	Seal toe panel	1	
23 MRC8626	Seal heelboard	1	
24 MRC8626	Seal sill	2	
Floor to heelboard and toe panel			
25 320045	Bolt	6	
26 MRC5527	Washer plain	6	
27 302532	Nut spire	6	





Model DEFENDER 110 1987 onwards
Page AFNXKE2A

BODY - REAR BODY LOWER - STATION WAGON

III. Part No.	Description	Qty	Remarks
Floor to sill			
28 FS106201L	Flange screw	6	
29 MRC5527	Washer plain	12	
30 WM106001L	Washer spring	6	
31 NH106041L	Nut	6	
32 333745	Seal	2	
33 MRC6027	Stay RH	1	
MRC6028	Stay LH	1	
34 SE106201L	Screw	2	Stay to floor
35 FS106201L	Flange screw	2	
36 WA106041L	Washer plain	4	
37 WL106001L	Washer spring	4	
38 NH106041L	Nut	4	
Finisher - D post waist stiffener - Germany			
39 MTC7513	Strip edging	A/R	





Model DEFENDER 110 1987 onwards

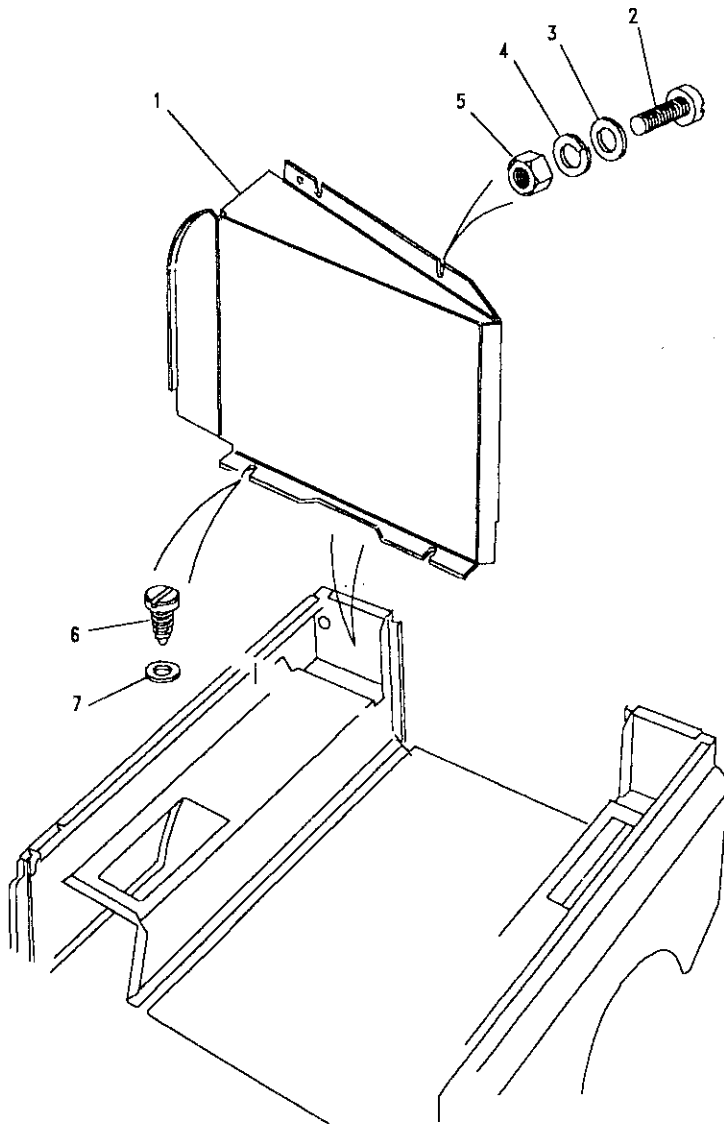
Page AFNXKE3A

BODY - REAR BODY LOWER - STATION WAGON

III. Part No. Description Qty Remarks

Cover Panels - Rear Lamps

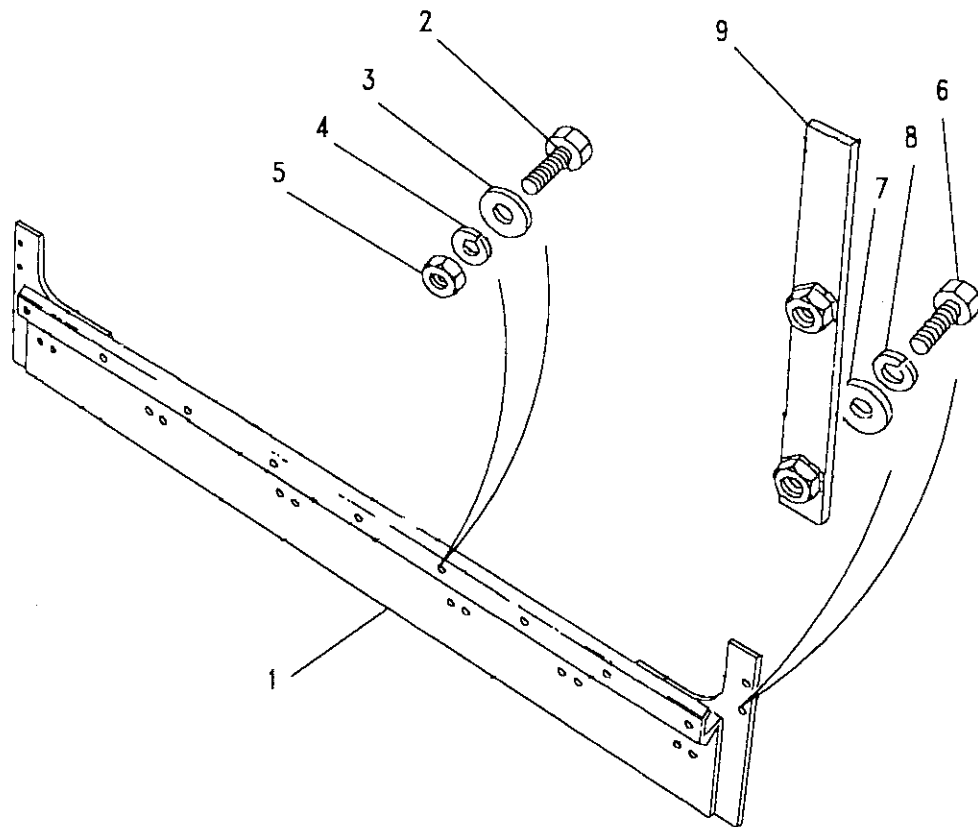
1	MTC7878	Panel cover RH	1
	MTC7879	Panel cover LH	1
2	SP105121	Screw	4
3	WC105001L	Washer plain	4
4	WL105001L	Washer spring	4
5	NM1050H	Nut	4
6	AB608031L	Screw	4
7	WC105001L	Washer plain	4





Model DEFENDER 110 1987 onwards
Page AFNXKE4A

BODY - REAR BODY LOWER - STATION WAGON



Ill. Part No.	Description	Qty	Remarks
1	395413 Toe panel gusset bracket	1	
Toe panel to seat base			
2	SH106201 Bolt	2	
	SH106161 Bolt	7	
3	RTC609 Washer plain	9	
4	WM600051L Washer spring	9	
5	NH106041L Nut	9	
6	SH106161 Bolt	4	
7	WC106041L Washer plain	4	
8	WM106001 Washer spring	4	
9	MRC9388 Nut plate	2	



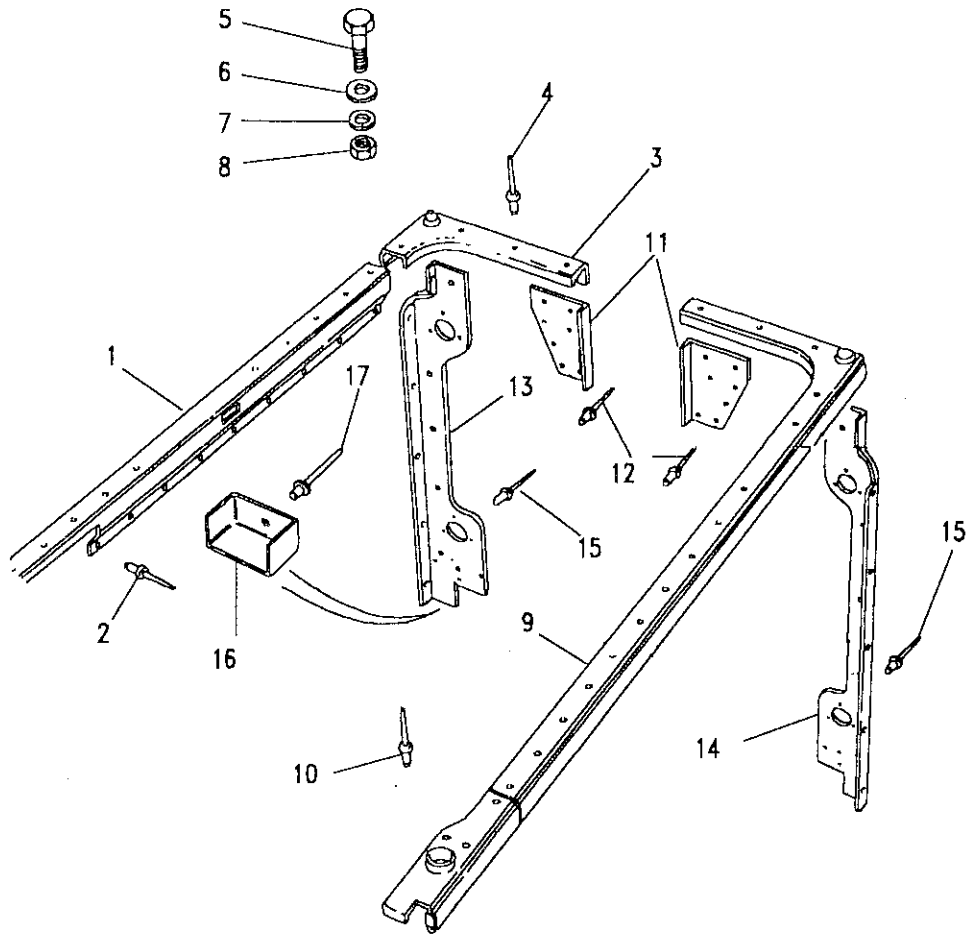


Model DEFENDER 110 1987 onwards

Page AFNXKE5A

BODY - REAR BODY LOWER - STATION WAGON

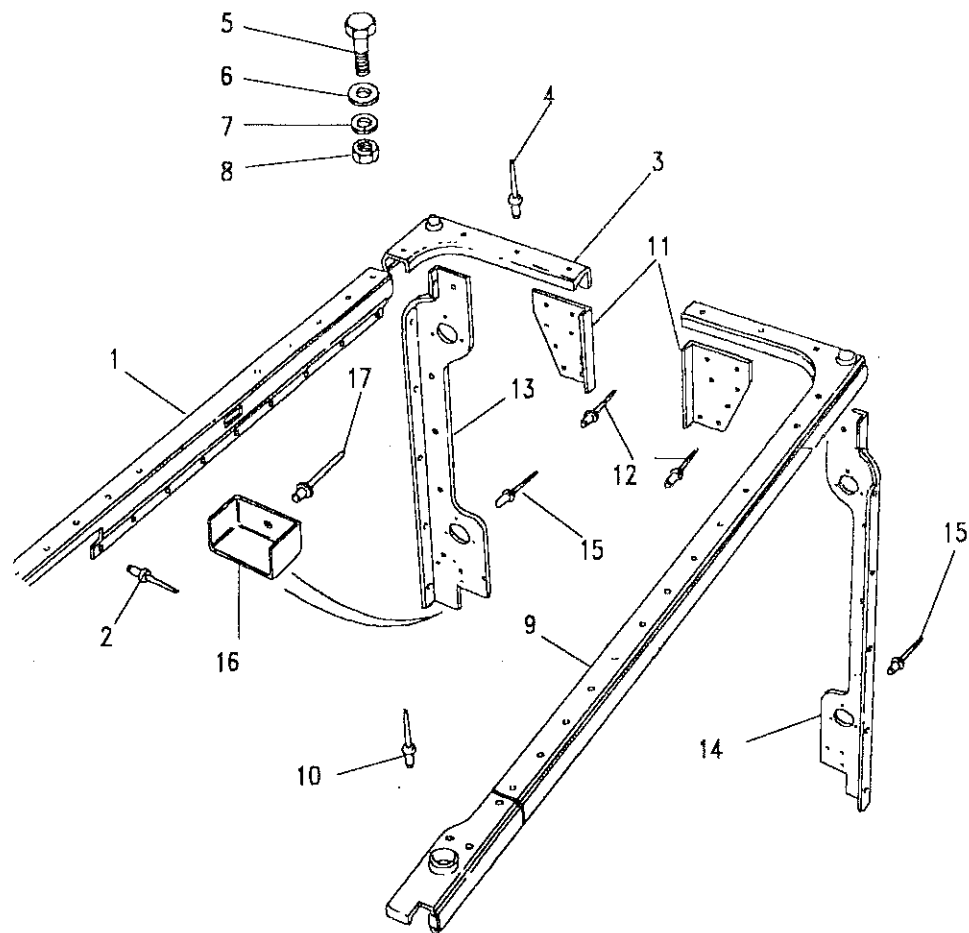
Ill. Part No.	Description	Qty	Remarks
1	RTC5066	1	Upto 314075
	RTC5067	1	Upto 314075
	MWC4662	1	From 314076
	MWC4663	1	From 314076
2	78248	32	
3	MWC3316	1	
	MWC3317	1	
4	RA612373L	12	
	78248	12	
5	FS106201L	2	
6	WA106001L	4	
7	WL106001L	2	
8	NH106041L	2	
9	MXC5968	1	
	MXC5969	1	
10	78248	38	
	RU612373L	6	





Model DEFENDER 110 1987 onwards
Page AFNXKE5A

BODY - REAR BODY LOWER - STATION WAGON



III. Part No.	Description	Qty	Remarks
11 MUC9154	Corner Bracket RH	1	
MUC9155	Corner Bracket LH	1	
12 78248	Rivet	6	
13 MUC8716	Angle protection RH	1)Up to
MUC8717	Angle protection LH	1)March 1990
14 MXC8934	Angle protection RH	1)From March 1990
MXC8935	Angle protection LH	1)Up to LA939975
ALR7128	Angle protection RH	1)From
ALR7129	Angle protection LH	1)MA939976
15 78248	Rivet	24	
16 MTC8334	Cover lower end	2	Germany
17 RU608313L	Rivet	2	Germany





DEFENDER 110 1987 onwards

844

BODY AND CHASSIS

Model DEFENDER 110 1987 onwards

Page AFNXKG1A

BODY - REAR BODY LOWER - HIGH CAPACITY PICK UP

III. Part No.

Description

Qty Remarks

Defender 110

1 MTC3902
ALR6708

Body rear lower assembly
Body rear lower assembly

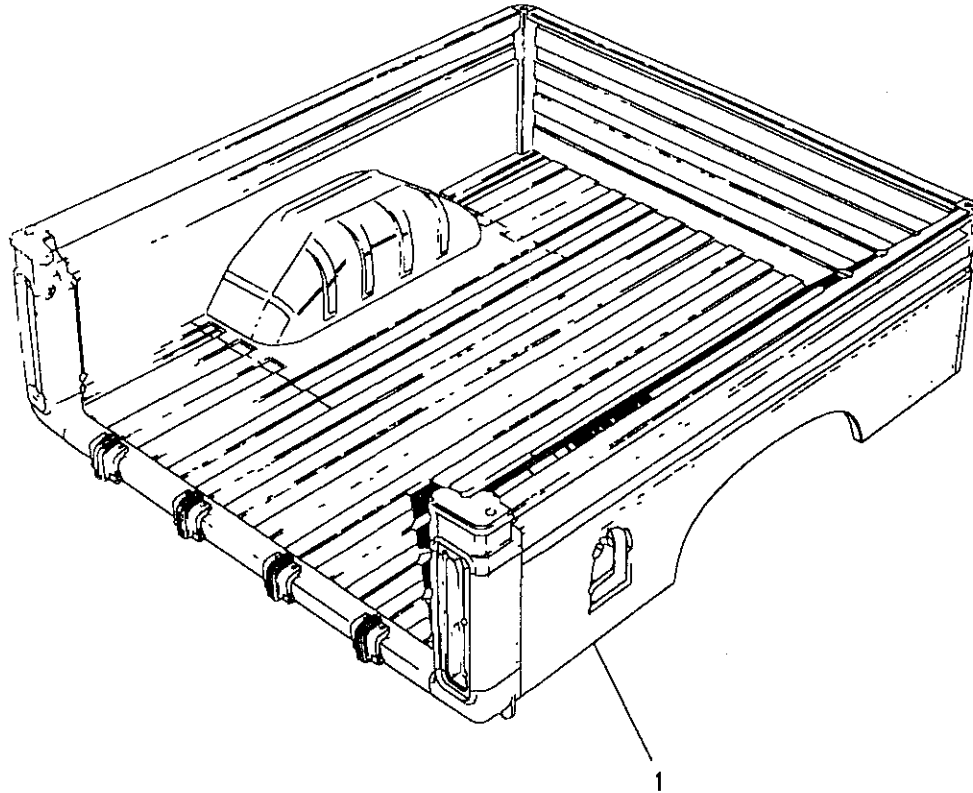
1 Up to LA939975
1 From MA939976

Defender 130

1 RRC6292

Body rear lower assembly

1



Model DEFENDER 110 1987 onwards

Page AFNXKG2A

BODY - REAR BODY LOWER - HIGH CAPACITY PICK UP

III. Part No. Description Qty Remarks

Defender 110

1 MTC3538 Floor 1

Defender 130

1 RRC6296 Floor 1

2 MTC1409 Bulkhead 1

3 RU612183 Rivet 15

4 ACU3777 Monobolt 16

Defender 110

5 MTC1595 Pad mounting 12

Defender 130

5 RRC2443 Pad mounting 2

6 RJ612433 Rivet 24

7 MTC3569 Cowl fuel filler 1

8 RA612373L Rivet 4

9 WA105001L Washer plain 4

10 MTC1461 Cover fuel filler 1

11 MTC1462 Seal 1

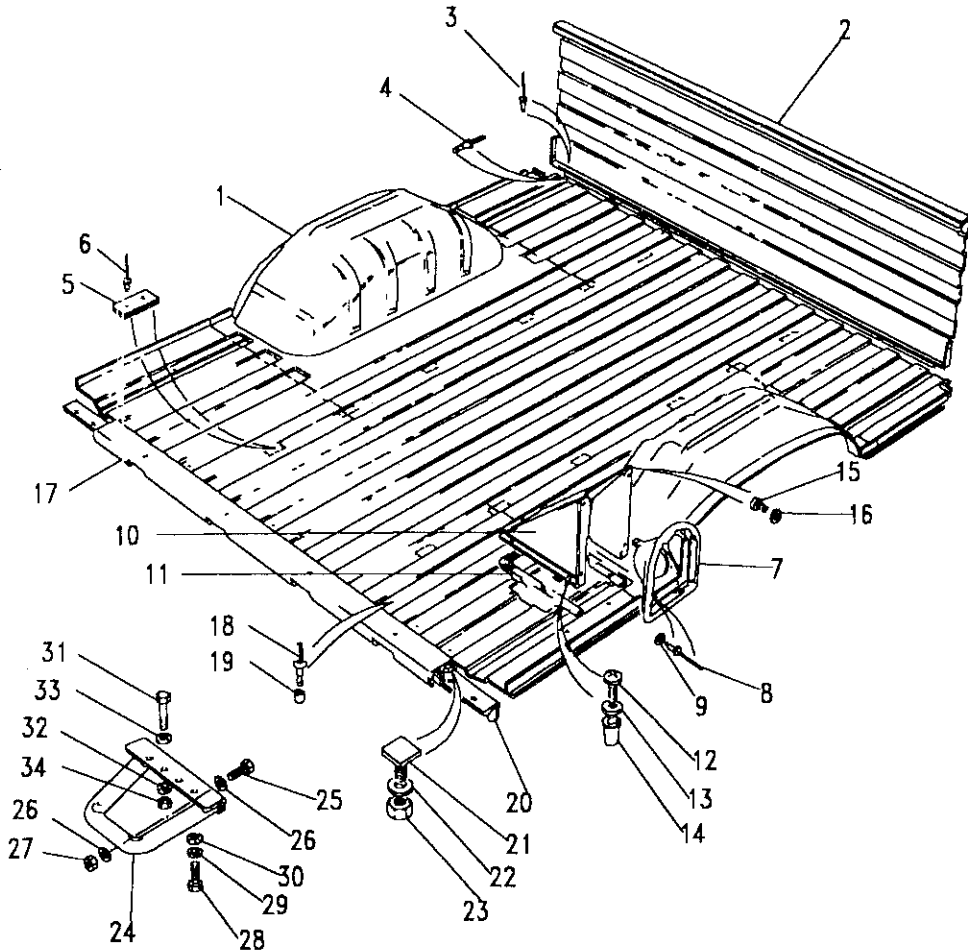
12 SE106161L Screw 4

13 WA106041L Washer plain 4

14 MR106300 Rivnut 4

15 AR606031L Screw 5

16 WA104001L Washer plain 5



Model DEFENDER 110 1987 onwards

Page AFNXKG2A

BODY - REAR BODY LOWER - HIGH CAPACITY PICK UP

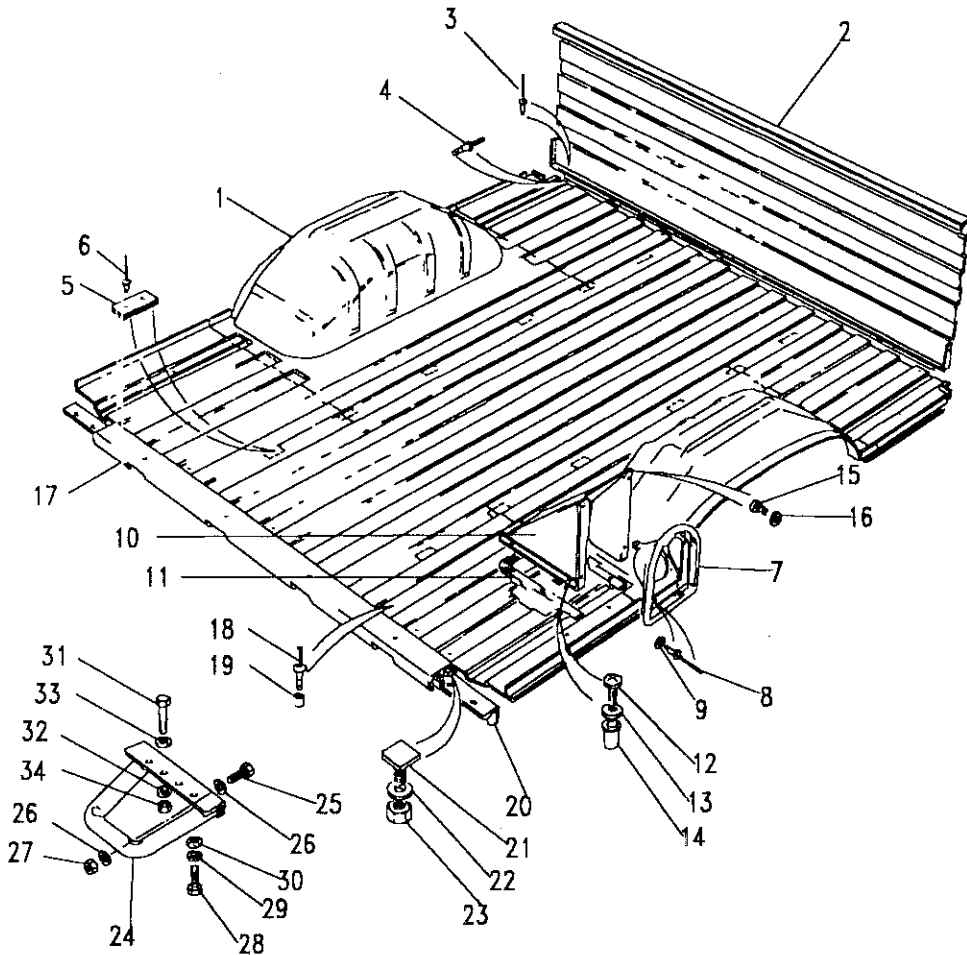
III. Part No.	Description	Qty	Remarks
17	MTC3521	1	Crossmember
18	AAU6919	12	Bolt avdelok
19	AAU6774	12	Collar
20	MTC4156	1	Angle reinforcing
21	MTC3558	4	Tee bolt
22	WA108051L	4	Washer plain
23	FN108041L	4	Nut
24	MTC3126	1	Bump Stop RH
	MTC3127	1	Bump Stop LH
	NTC5279	1	Bump Stop RH
	NTC5278	1	Bump Stop LH

Bump stop to angle

25	FS108251L	4	Screw
26	WA108051L	8	Washer plain
27	FN108041L	4	Nut

Bump stop to body pillar

28	FS108251L	2	Screw
29	WL108001L	2	Washer spring
30	WA108051L	2	Washer plain





Model DEFENDER 110 1987 onwards
Page AFNXKG2A

BODY - REAR BODY LOWER - HIGH CAPACITY PICK UP

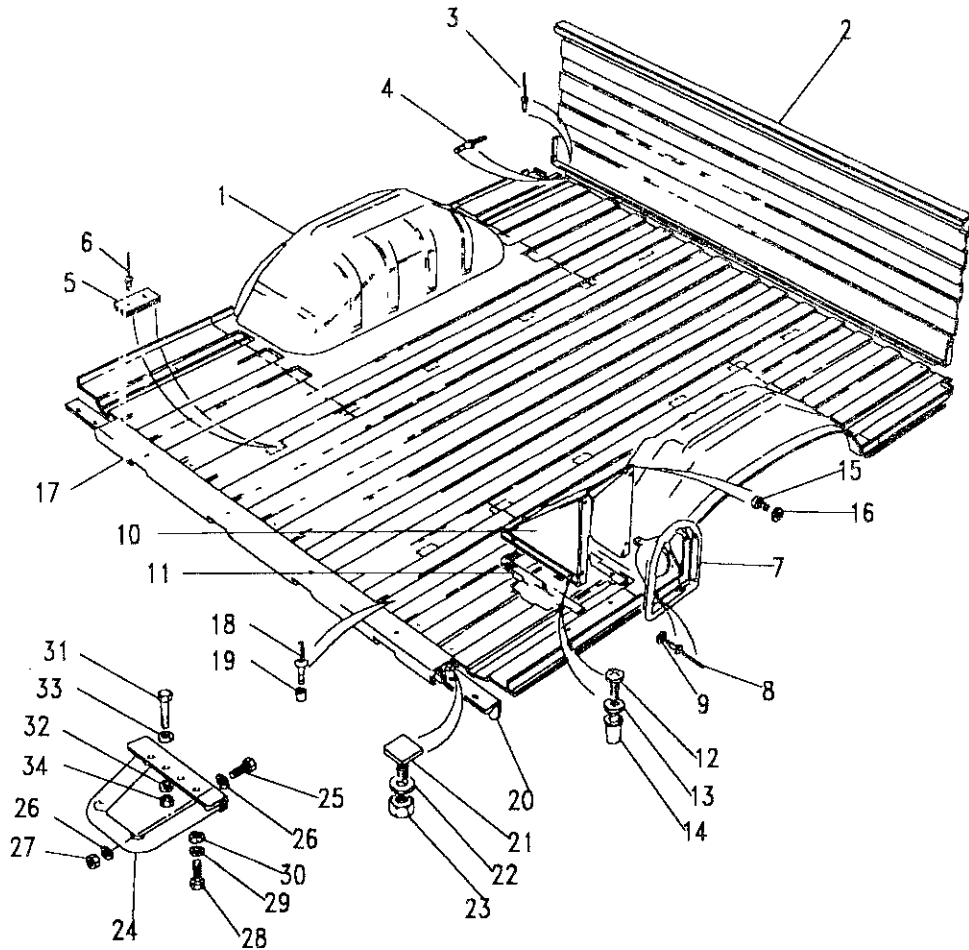
III. Part No. Description Qty Remarks

Bump stop to body

31	FB108121L	Flange bolt	2
32	WL108001L	Washer spring	2
33	WA108051L	Washer plain	2
34	FN108041L	Nut	2

Defender 130
RRC6287

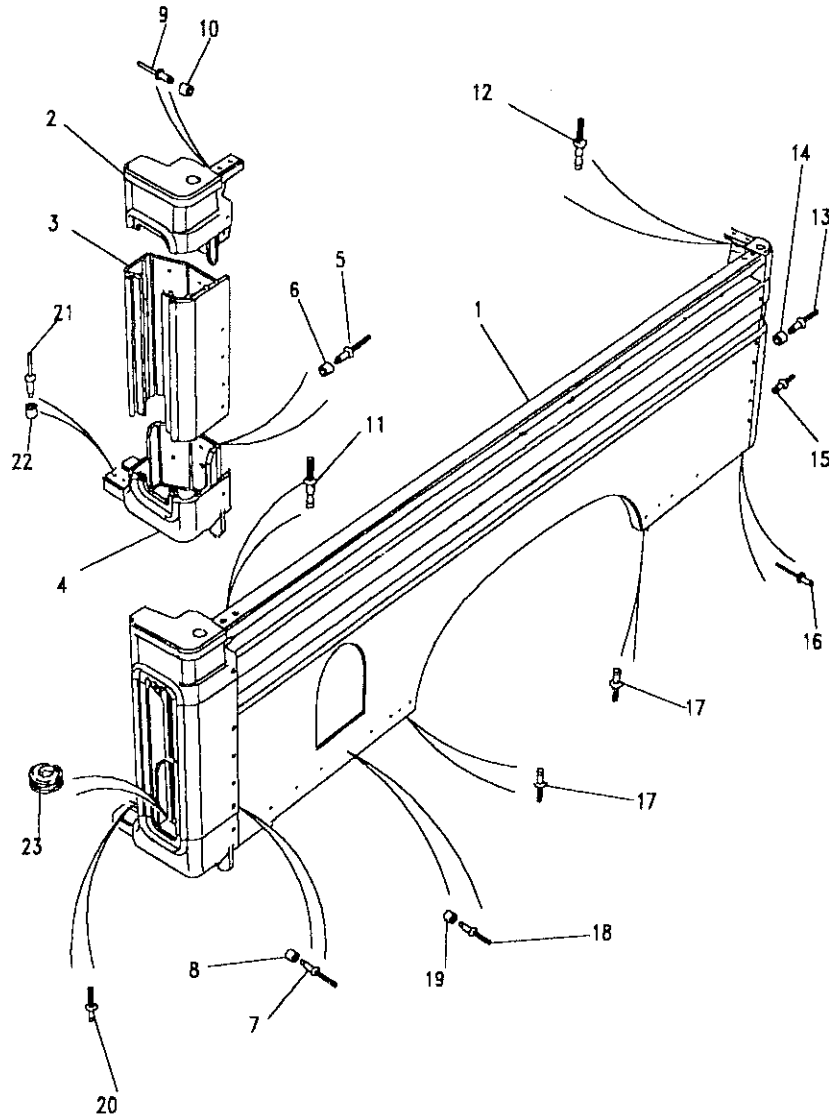
Crossmember body mounting	1	From 15-11-88
---------------------------	---	---------------



Model DEFENDER 110 1987 onwards

Page AFNXKG3A

BODY - REAR BODY LOWER - HIGH CAPACITY PICK UP

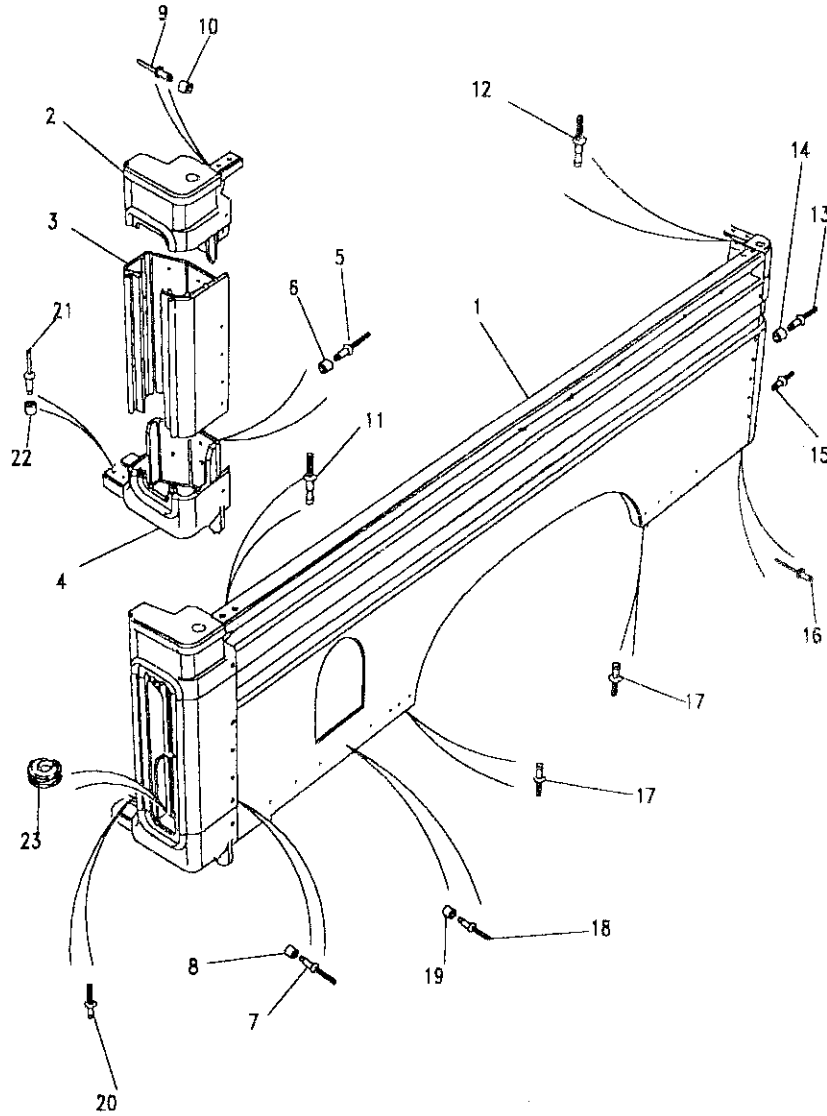


III. Part No.	Description	Qty	Remarks
1	MTC3906	1)Up to
	MTC3907	1)LA939975
	ALR5506	1)From
	ALR5507	1)MA939976
	RRC6304	1	Defender 130
	RRC6305	1	Defender 130
2	MTC5038	1	
	MTC5039	1	
3	MTC1479	2	
4	MTC1481	1	
	MTC1482	1	
5	ACU3530	16	
6	AAU6774	16	
7	ACU1161	12	
8	AAU6774	12	
9	ACU3530	4	
10	AAU6774	4	
11	ACU1762	4	
12	ACU1762	4	
13	ACU2063	2	
	AAU8182	6	
14	AAU6774	8	
15	ACU3777	6	
	AFU1841	2	
16	RU612183	8	
17	ACU3777	22	



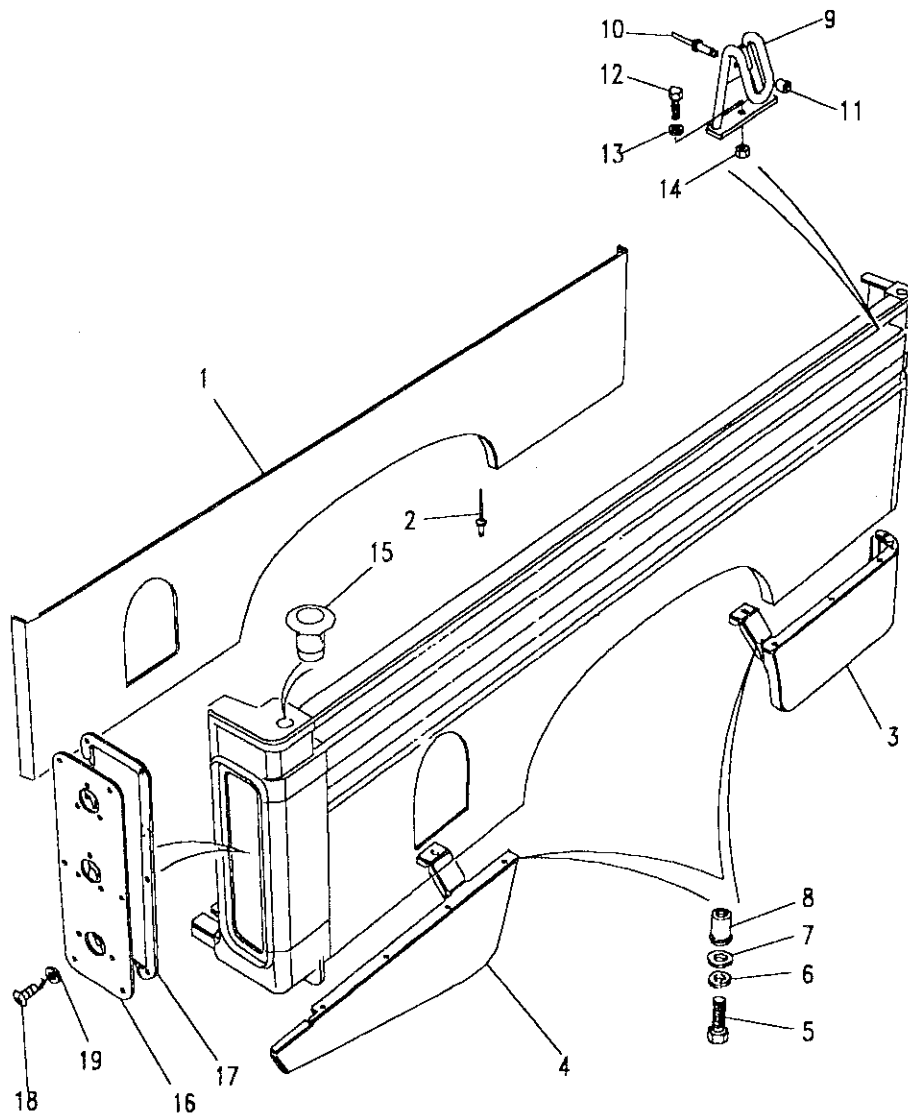
Model DEFENDER 110 1987 onwards
Page AFNXKG3A

BODY - REAR BODY LOWER - HIGH CAPACITY PICK UP



III. Part No.	Description	Qty	Remarks
18 ACU1161	Bolt avdelok	58	
19 AAU6774	Collar	58	
20 ACU1762	Monobolt	4	
21 AAU6920	Bolt avdelok	4	
22 AAU6774	Collar	4	
23 3H822L	Grommet	2	





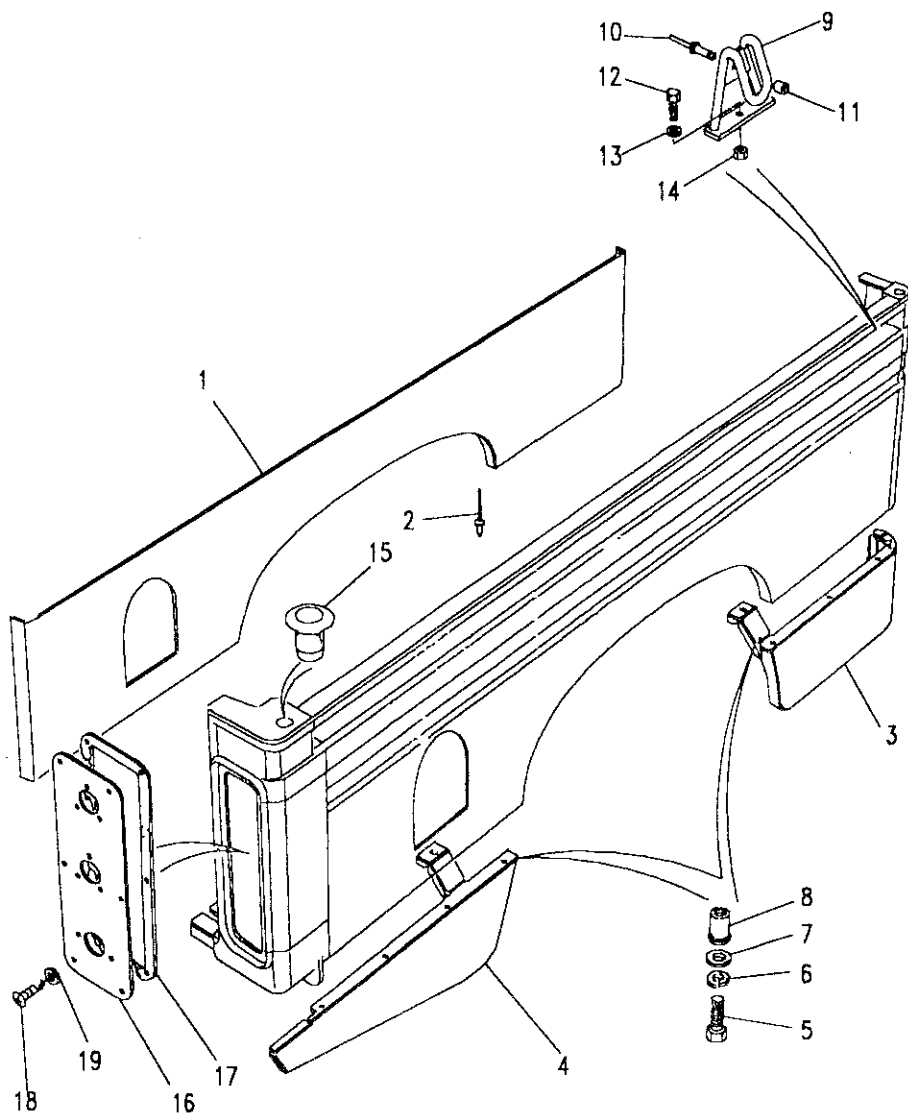
Model DEFENDER 110 1987 onwards

Page AFNXKG4A

BODY - REAR BODY LOWER - HIGH CAPACITY PICK UP

III. Part No.	Description	Qty	Remarks
Defender 110			
1 MTC3533	Panel inner RH	1	
MTC3534	Panel inner LH	1	
Defender 130			
1 RRC6294	Panel inner RH	1	
RRC6293	Panel inner LH	1	
2 RU612183	Rivet	58	
Defender 110			
3 MTC7480	Panel valance front RH	1	
MTC7481	Panel valance front LH	1	
Defender 130			
3 RRC6362	Panel valance front RH	1	
RRC6363	Panel valance front LH	1	
MTC7482	Panel valance rear RH	1	
MTC7483	Panel valance rear LH	1	
5 FS106201L	Flange screw	20	
6 WL106001	Washer spring	20	
7 WA106041L	Washer plain	20	
8 NN106021	Nut anchor	20	
9 MTC1439	Lashing bracket	6	
10 ACU3530	Bolt avdelok	6	
11 AAU6774	Collar	6	





Model DEFENDER 110 1987 onwards

Page AFNXKG4A

BODY - REAR BODY LOWER - HIGH CAPACITY PICK UP

III. Part No.	Description	Qty	Remarks
12 SH106141L	Screw	6	
13 WL106001L	Washer spring	6	
14 NH106041L	Nut	6	
15 MTC1594	Plug	2	

Vehicles with fog lamp only or reverse lamp only

16 MTC3350	Plate lamp mounting	2	Up to LA939975
ALR5330	Plate lamp mounting	1	From MA939976

Vehicles with both fog lamp and reverse lamp

MTC3515	Plate lamp mounting	1	Up to LA939975
ALR5329	Plate lamp mounting	1	From MA939976
17 MTC1448	Seal	2	
18 AR610051L	Screw	12	
19 WA105001L	Washer plain	12	

Germany

MTC7511	Capping corner LH	1	Rear valance
MTC7512	Capping corner RH	1	rear valance

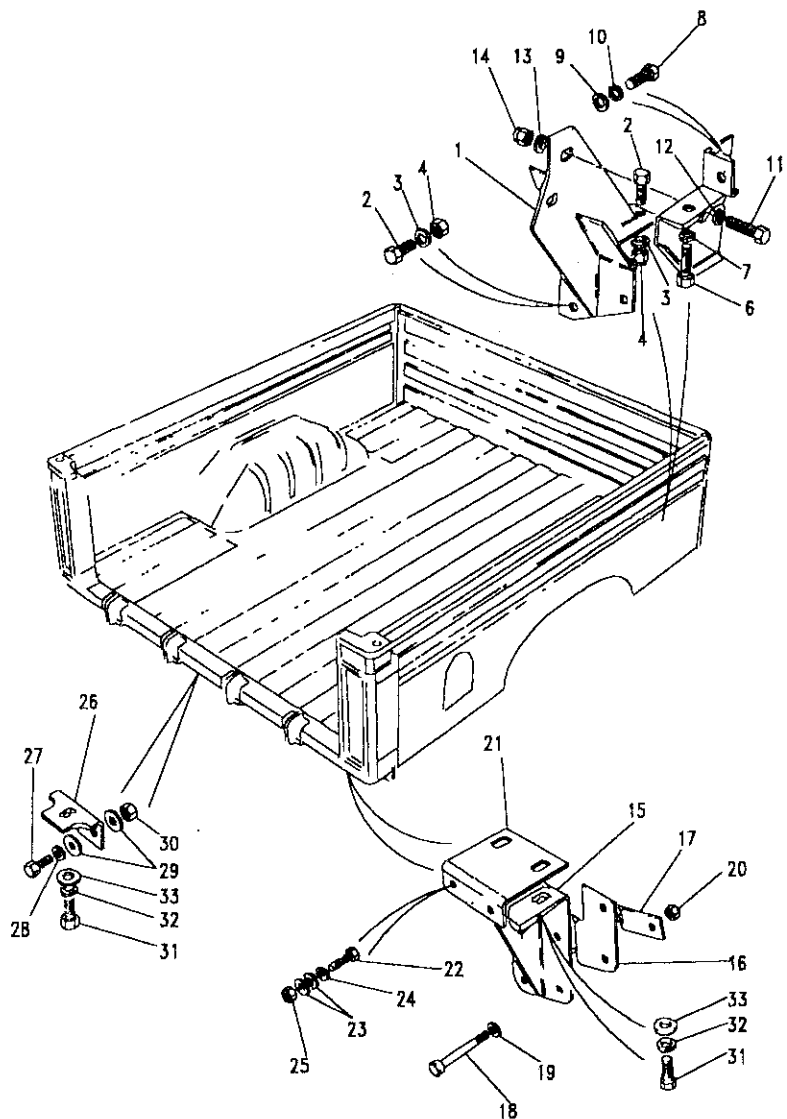




Model DEFENDER 110 1987 onwards

Page AFNXKG5A

BODY - REAR BODY LOWER - HIGH CAPACITY PICK UP



III. Part No.	Description	Qty	Remarks
1	MTC3481	1	Bracket mounting front RH
	MTC3482	1	Bracket mounting front LH
Front mounting bracket to chassis			
2	SH110251L	6	Screw
3	WA110061L	6	Washer plain
4	NY110041L	6	Nut
5	MTC3486	2	Bracket anchor front
Anchor bracket to body			
6	SH110301L	2	Screw
7	WL110001L	2	Washer spring
8	SH110251L	2	Screw
9	WA110061L	2	Washer plain
10	WL110001L	2	Washer spring
Anchor bracket to front mounting bracket			
11	SH110251L	4	Screw
12	WL110001L	4	Washer spring
13	WA110061L	4	Washer plain
14	NY110041L	4	Nut
15	MTC4992	1	Bracket mounting rear RH
	MTC4993	1	Bracket mounting rear LH
16	MTC5086	2	Packing piece
17	MTC6154	4	Plate backing





Model DEFENDER 110 1987 onwards
Page AFNXKG5A

BODY - REAR BODY LOWER - HIGH CAPACITY PICK UP

Ill. Part No. Description Qty Remarks

Rear mounting bracket to chassis

18	BH108141L	Bolt	8
19	WA108051L	Washer plain	8
20	FN108041L	Nut	8
21	MTC4002	Bracket mounting outer	2

Outer mounting bracket to body

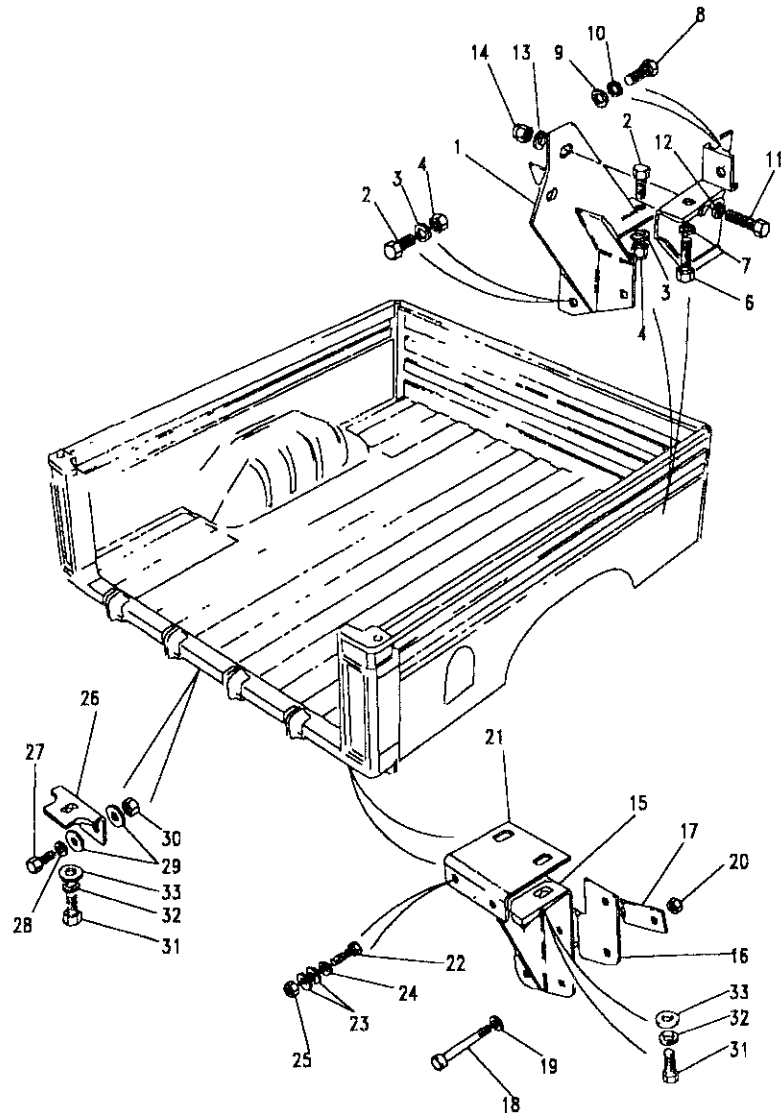
22	FS108207L	Screw	4
23	WA108051L	Washer plain	8
24	WL108001L	Washer spring	4
25	FN108041L	Nut	4
26	MTC4003	Bracket mounting inner	3

Inner mounting bracket to chassis

27	FS108207L	Screw	6
28	WL108001L	Washer spring	6
29	WA108051L	Washer plain	6
30	FN108041L	Nut	6

Inner mounting bracket to body

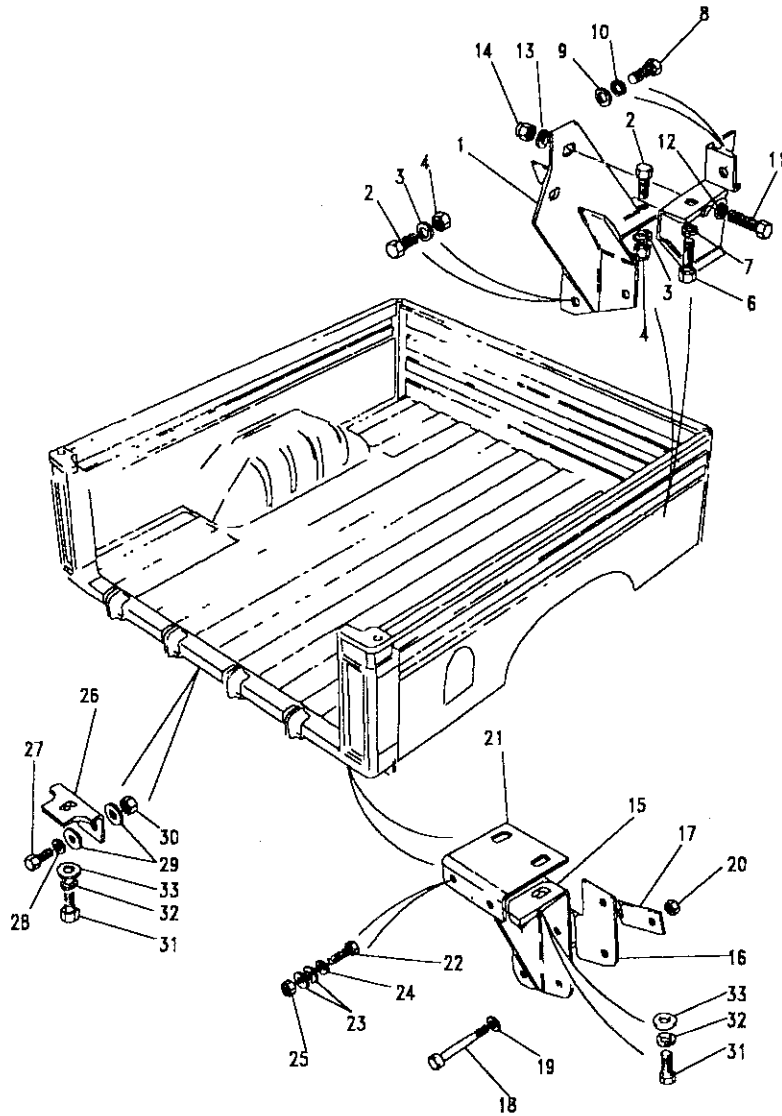
31	SH110301L	Screw	7
32	WL110001L	Washer spring	7
33	WA110061L	Washer plain	7

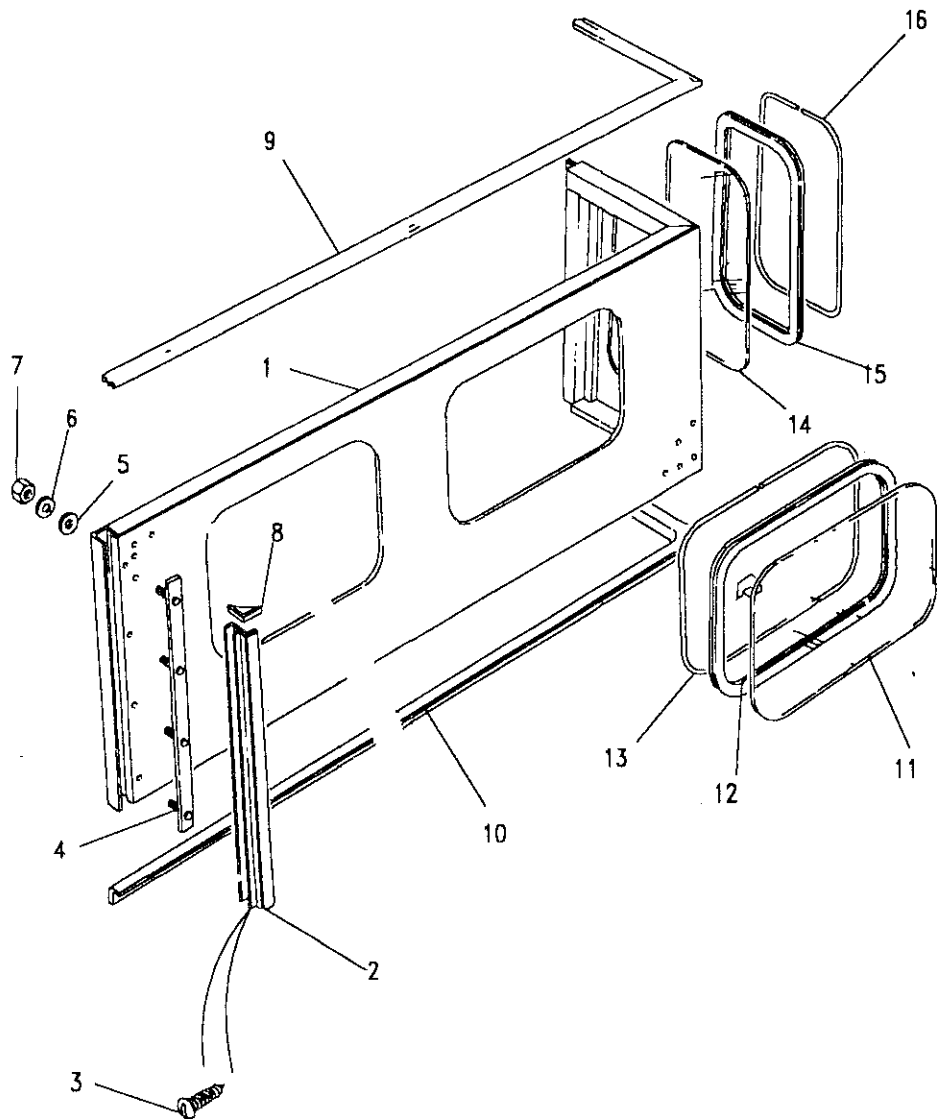


Model DEFENDER 110 1987 onwards
 Page AFNXKG5A

BODY - REAR BODY LOWER - HIGH CAPACITY PICK UP

III. Part No.	Description	Qty	Remarks
Defender 130			
RRC6168	Angle mounting	3	
RRC6154	Angle mounting	1	
RRC6155	Angle mounting	1	
RRC6169	Bracket mounting front	2	
RRC2440	Bracket mounting body	4	





Model DEFENDER 110 1987 onwards
Page AFNXL1A

BODY - REAR BODY UPPER - HARD TOP

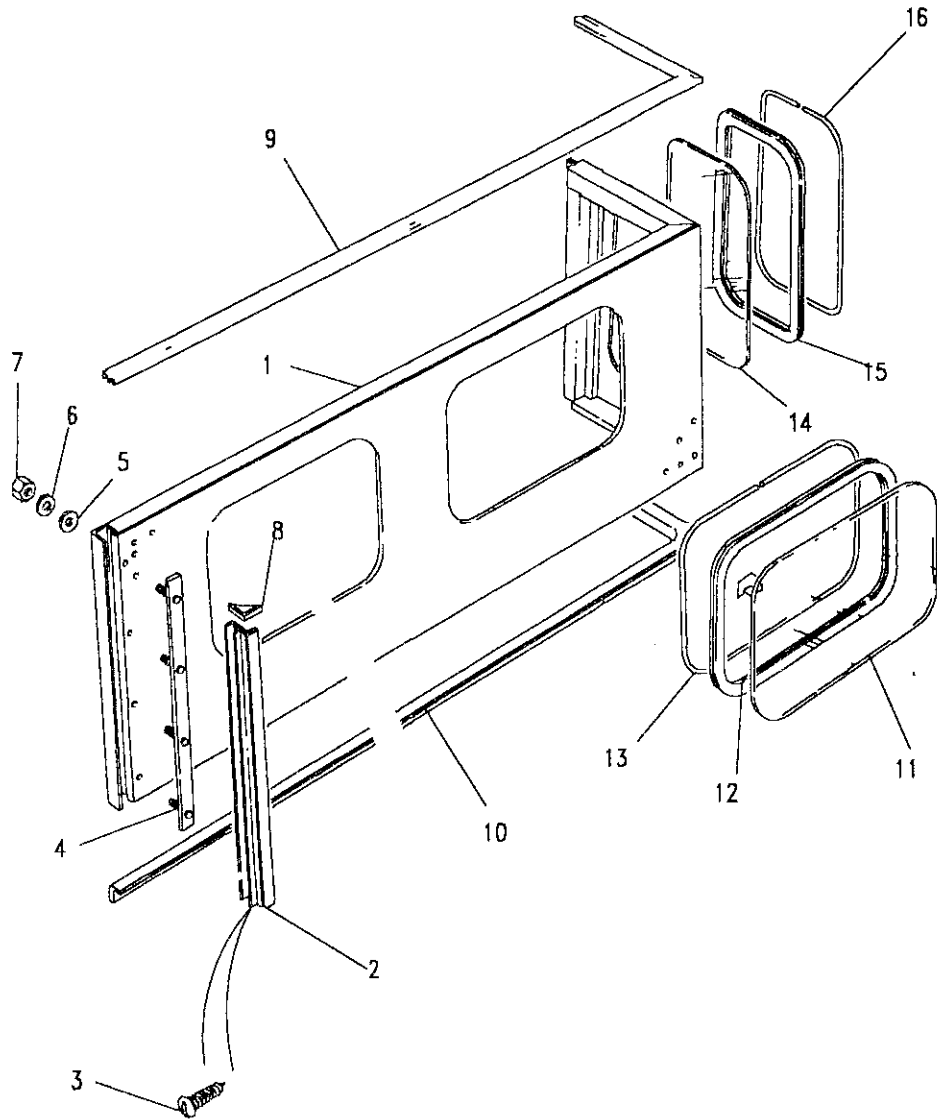
III. Part No.	Description	Qty	Remarks
Apertures-Rear end and fixed side window			
1 MWC9418	Panel bodyside upper RH	1	
MTC4412	Panel bodyside upper LH	1	Upto FA
MWC9419	Panel bodyside upper LH	1	From FA
Aperture-Rear end window only			
1 MWC9420	Panel bodyside upper RH	1	
MWC9421	Panel bodyside upper LH	1	
Apertures-Rear end and sliding side window			
1 ALR2302	Panel bodyside upper RH	1	
ALR2303	Panel bodyside upper LH	1	



Model DEFENDER 110 1987 onwards
 Page AFNXL1A

BODY - REAR BODY UPPER - HARD TOP

III. Part No.	Description	Qty	Remarks
2	MTC5394	1)
	MTC5395	1	
3	78832	6)
	AFU1080	6	
4	MUC3566	2)Upto FA
5	WA105001L	8	
6	WL105001L	8)
7	NM105011	8	
8	332215	4)
9	334610	1	
	334611	1	Upto FA
	MXC3680	1)
	MXC3681	1	
	MXC3684	1)FA
	MXC3685	1	
10	333490	2	Upto FA
	MXC2033	2	From FA
	ALR1157	2	Upto HA479376
	ALR5054	2	From HA479377
			Upto KA925389
			From KA925390

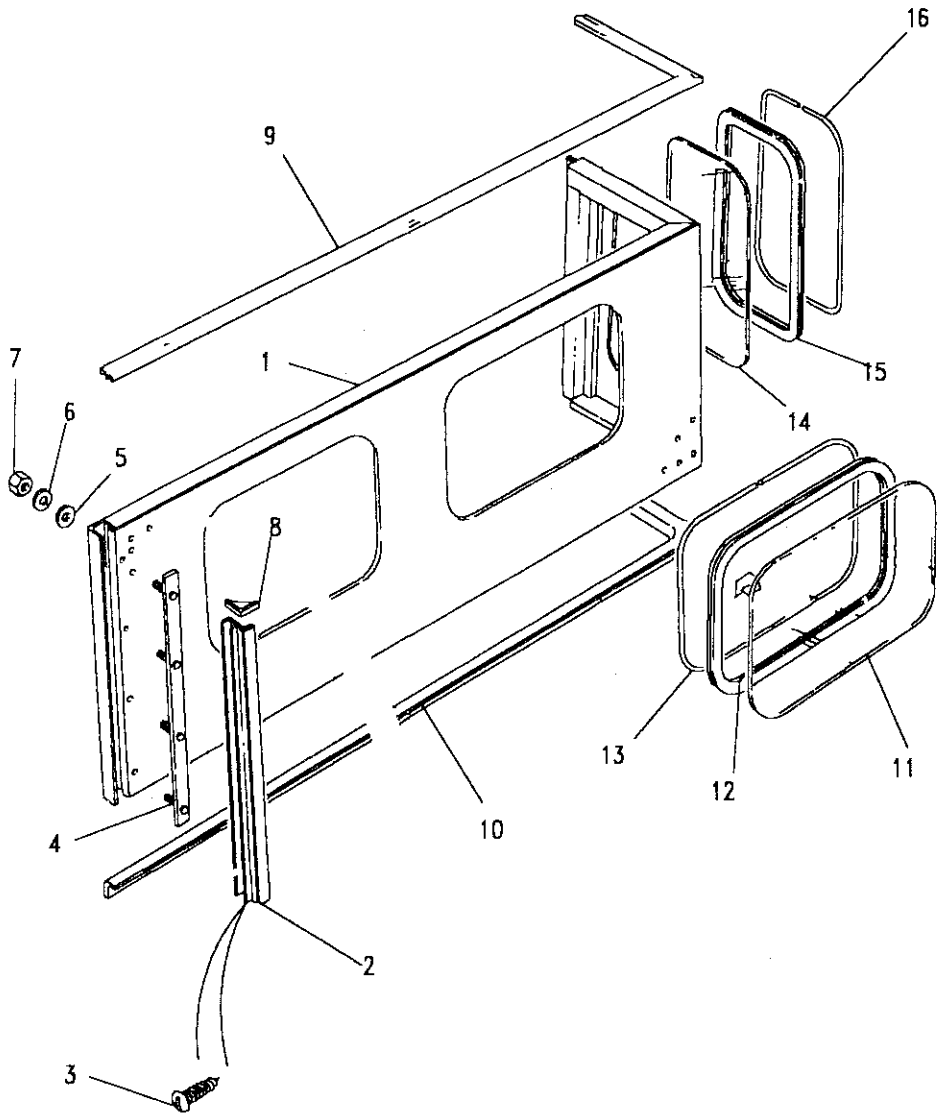


Model DEFENDER 110 1987 onwards
Page AFNXL1A

BODY - REAR BODY UPPER - HARD TOP

III. Part No.	Description	Qty	Remarks
Fixed side window			
11 MTC5312	Glass	4	Note(1)
MWC4717	Glass	4	Note(2)
12 302177	Glazing strip	4	Note(1)
MWC4771	Glazing strip	4	Note(2)
13 302178	Filler strip	4	
Rear end window			
14 MTC3476	Glass	2	Note(1)
MWC4715	Glass	2	Note(2)
15 306287	Glazing strip	2	Note(1)
MWC4772	Glazing strip	2	Note(2)
16 306289	Filler strip	2	
Germany			
MTC8333	Finisher 'D' post	2	
RU608313L	Screw	2	
MUC3810	Cover horizontal stiffner	2	Rear body

Note(1) 5mm glass - Upto 342383
 Note(2) 4mm glass - From 342384



Model DEFENDER 110 1987 onwards

Page AFNXLG2A

BODY - REAR BODY UPPER - HARD TOP

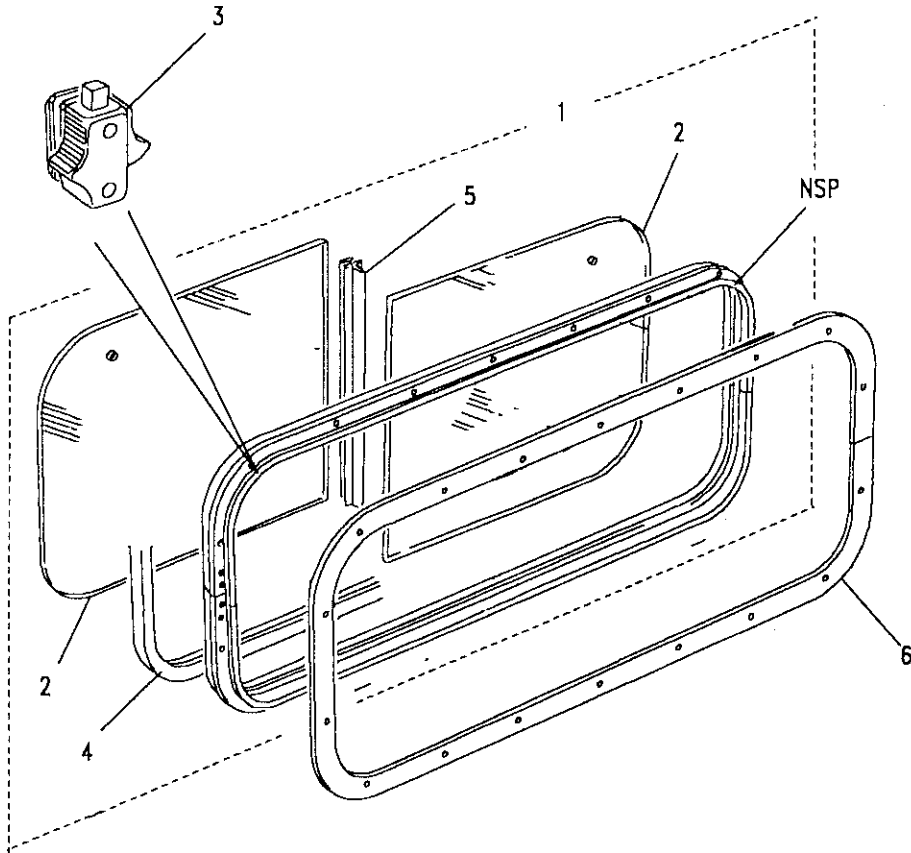
III. Part No.

Description

Qty Remarks

Sliding side window assembly

1	ZXC9386	Window assembly RH	2	Upto KA930143	
	ZXC9387	Window assembly LH	2	Upto KA930143	
	ALR5080	Window assembly RH	2	From KA930144	
	ALR5081	Window assembly LH	2	From KA930144	
2	MWC4726	Glass	8		
3	MWC7625	Catch LH	4		
	MWC7648	Catch RH	4		
4	MWC7620	Felt	8		
5	MWC7652	Seal draught rail	4		
6	MTC6232	Finisher window	4	Upto KA930143	09/
7	AS604044	Screw	72	Upto KA930143	
	RU610253	Rivet	72	From KA930144	

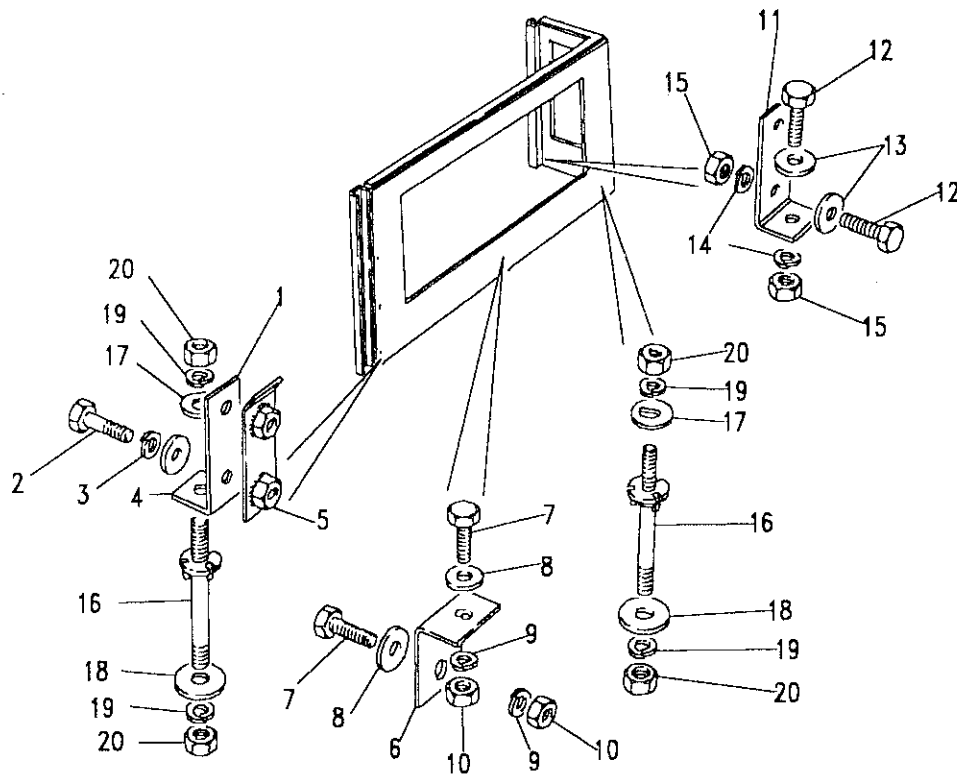




Model DEFENDER 110 1987 onwards

Page AFNXLC3A

BODY - REAR BODY UPPER - HARD TOP

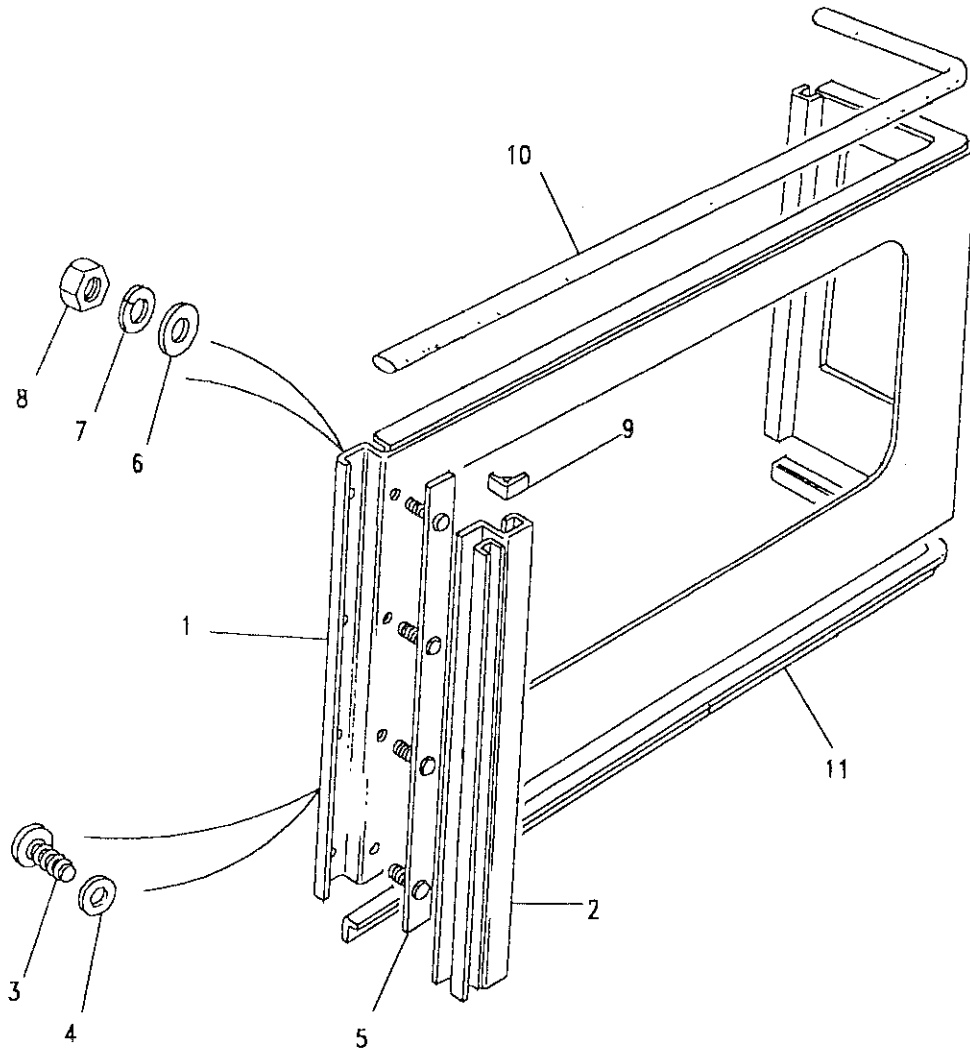


III. Part No.	Description	Qty	Remarks
1	338554	2	Angle mounting
2	SH108161L	4	Screw
3	WL108001L	4	Washer spring
4	WC108051L	4	Washer plain
5	MUC1324	2	Nut plate
6	332201	4	Bracket support
7	FS106201L	8	Flange screw
8	MRC5527	16	Washer plain
9	WL106001L	8	Washer spring
10	NH106041L	8	Nut
11	338552	2	Bracket support
12	FS106167L	6	Screw
13	MRC5525	8	Washer plain
14	WL106001L	6	Washer spring
15	NH106041L	6	Nut
16	MRC9833	4	Stud mounting
17	332293	4	Washer special
18	WC108051L	4	Washer plain
19	WL108001L	4	Washer spring
20	FN108041L	8	Nut



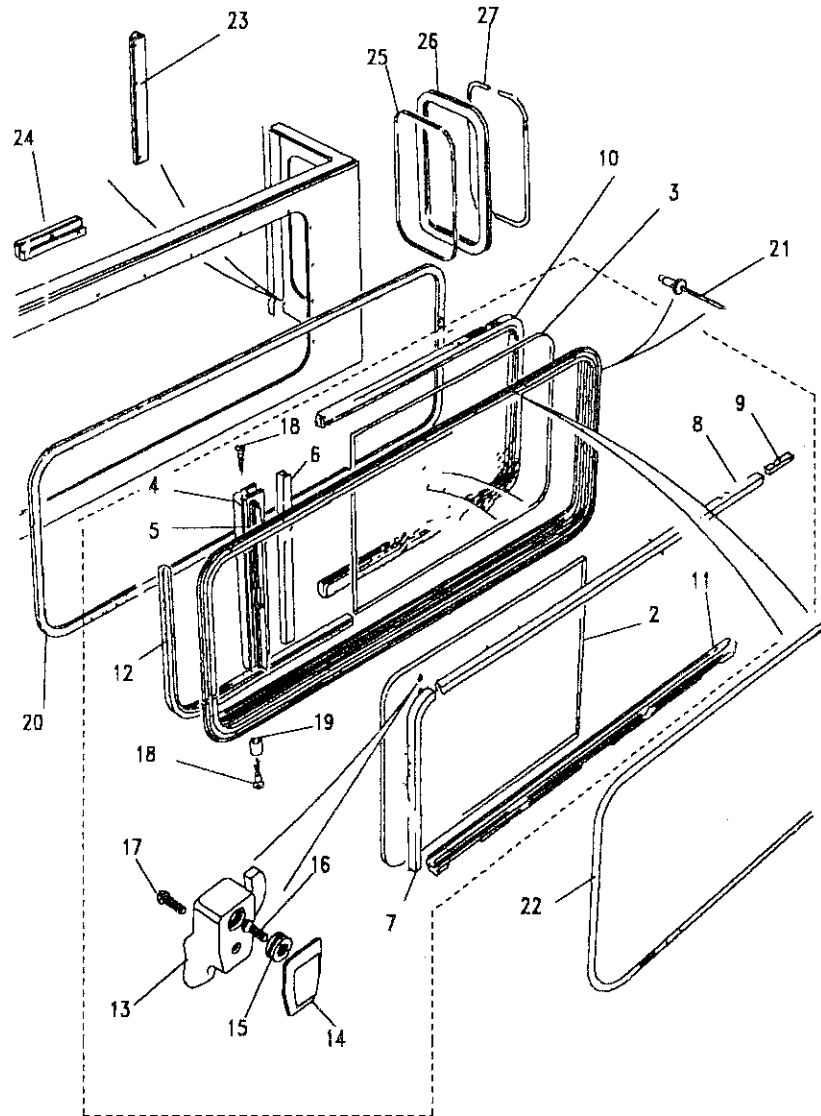
Model DEFENDER 110 1987 onwards
 Page AFNXLE1A

BODY - REAR BODY UPPER - STATION WAGON



III. Part No.	Description	Qty	Remarks
1 MWC8966	Panel bodyside upper RH	1	
1 MWC8967	Panel bodyside upper LH	1	
2 MTC5394	Finisher/retainer RH	1)
2 MTC5395	Finisher/retainer LH	1)
3 78832	Screw	6)
4 AFU1080	Washer plain	6)
5 MUC3566	Stud plate	2)Upto FA
6 WA105001L	Washer plain	8)
7 WL105001L	Washer spring	8)
8 NM105011	Nut	8)
9 332215	Seal pillar	4)
10 334610	Seal upper RH	1)Upto
10 334611	Seal upper LH	1)FA
MXC3676	Seal upper RH	1)
MXC3677	Seal upper LH	1)From
MXC3684	Seal upper front RH	1)FA
MXC3685	Seal upper front LH	1)
11 333487	Seal lower	2	Upto FA
11 MXC2031	Seal lower	2	From FA
ALR1158	Seal lower	2	Upto HA479385
ALR5055	Seal waist	2	From HA479385
			Upto KA925389
			From KA925390

Note(1) Introduction of 1989 Model Year - VIN FA

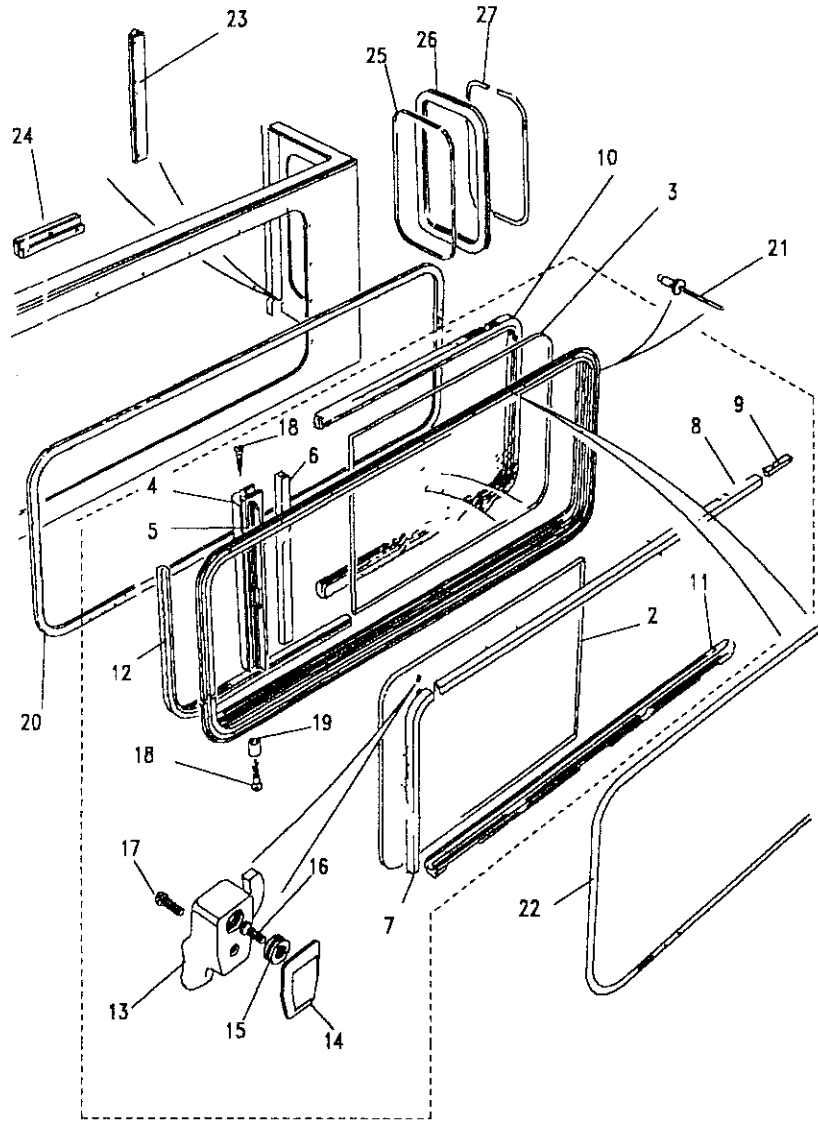


Model DEFENDER 110 1987 onwards

Page AFNXLE2A

BODY - REAR BODY UPPER - STATION WAGON

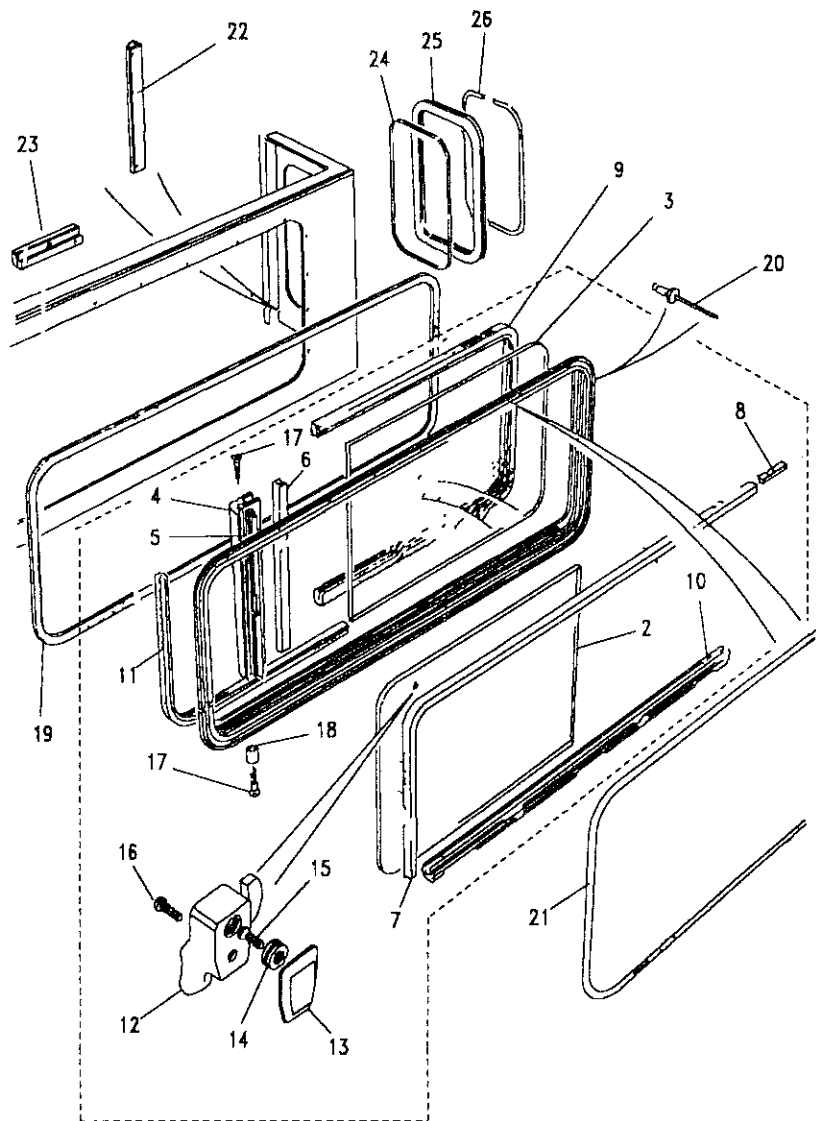
III. Part No.	Description	Qty	Remarks
Sliding window assy - 5mm glass - upto 344754			
1	MUC3766 Window assembly side	1	Clear
	MUC3767 Window assembly LH	1	Clear
	MUC3764 Window assembly RH	1	Tinted
	MUC3765 Window assembly LH	1	Tinted
2	MUC3791 Glass front	2	Clear
	MUC3794 Glass front	2	Tinted
3	MUC3792 Glass rear	2	Clear
	MUC3795 Glass rear	2	Tinted
4	MUC3770 Draught rail	2	
5	MUC3769 Seal draught rail	2	
6	MUC1098 Glazing strip draught rail	2	
7	MUC3097 Felt front	2	
8	MUC3096 Felt top	2	
9	MUC4025 Rubber stop	2	
10	MUC1484 Glazing rubber	2	
11	MTC8947 Bottom Runner	2	
12	MUC3768 Filler strip	2	



Model DEFENDER 110 1987 onwards
Page AFNXLE2A

BODY - REAR BODY UPPER - STATION WAGON

III. Part No.	Description	Qty	Remarks
13	MTC8270	1	Catch RH
	MTC8271	1	Catch LH
14	MUC1704	2	Fixing block
15	MUC1705	2	Button
16	MUC1706	2	Screw
17	MUC1707	2	Screw
18	AC606081L	4	Draught rail
19	MUC3771	2	Spacer
20	MUC1008	2	Seal
21	RU610313L	48	Rivet
22	MUC1005	2	Filler strip
23	MUC4542	4	Finisher
24	MUC1501	12	Finisher
Rear end window			
25	MTC3476	2	Glass
	MTC5034	2	Glass
26	306287	2	Glazing strip
27	306289	2	Filler strip

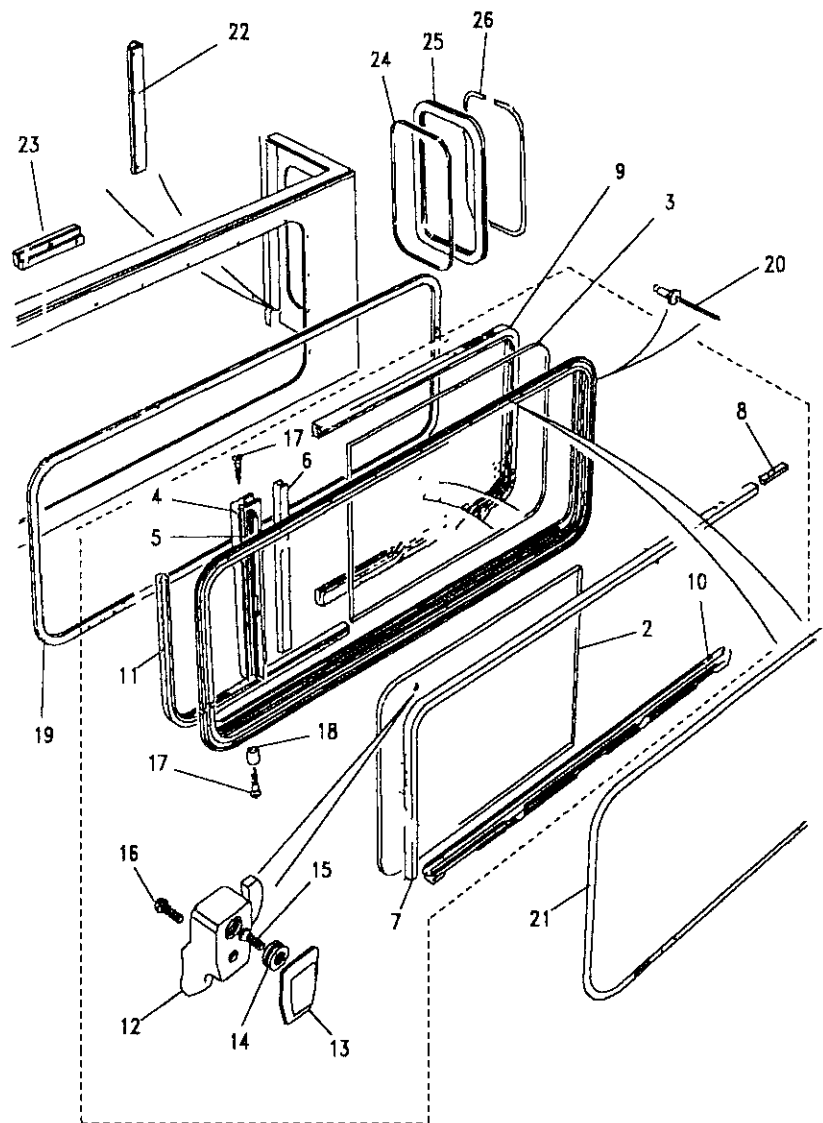


Model DEFENDER 110 1987 onwards

Page AFNXLE3A

BODY - REAR BODY UPPER - STATION WAGON

III. Part No.	Description	Qty	Remarks
Sliding window assy - 4mm glass - From 344755			
1	MWC4734 Window assembly RH	1	Clear
	MWC4735 Window assembly LH	1	Clear
	MWC4736 Window assembly RH	1	Tinted
	MWC4737 Window assembly LH	1	Tinted
2	MWC4728 Glass front	2	Clear
	MWC4729 Glass front	2	Tinted
3	MWC4730 Glass rear	2	Clear
	MWC4731 Glass rear	2	Tinted
4	MUC3770 Draught rail	2	
5	MWC7614 Seal draught rail	2	
6	MWC7615 Glazing strip draught rail	2	
7	RTC6462 Felt front and top	2	
8	MUC4025 Rubber stop	2	
9	MWC7617 Glazing rubber	2	
10	MWC7612 Bottom runner	2	
11	MUC3768 Filler strip	2	



Model DEFENDER 110 1987 onwards
Page AFNXLE3A

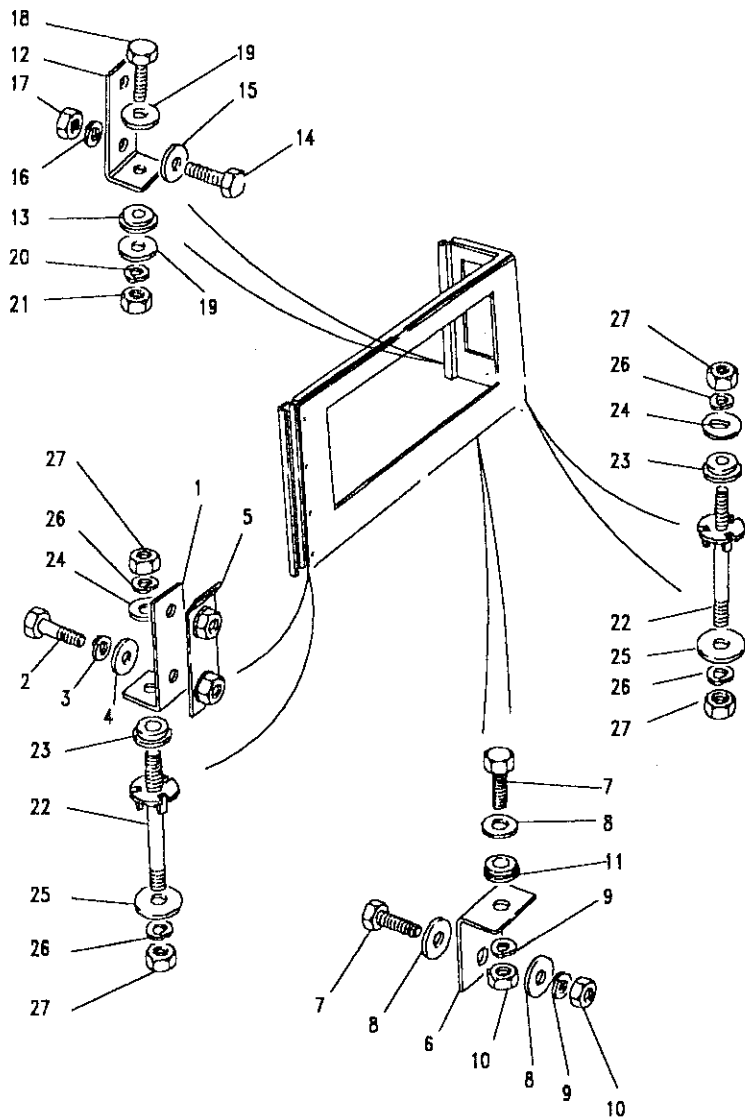
BODY - REAR BODY UPPER - STATION WAGON

III. Part No.	Description	Qty	Remarks
12	MTC8270	1	Catch RH
	MTC8271	1	Catch LH
13	MUC1704	2	Fixing block
14	MUC1705	2	Button
15	MUC1706	2	Screw
16	MUC1707	2	Screw
17	AC606081L	4	Screw
18	MUC3771	2	Spacer
19	MUC1008	2	Seal
20	RU610313L	48	Rivet
21	MUC1005	2	Filler strip
22	MUC4542	4	Finisher
23	MUC1501	12	Finisher
Rear end window			
24	MWC4715	2	Glass
	MWC4716	2	Glass
25	MWC4772	2	Glazing strip
26	306289	2	Filler strip



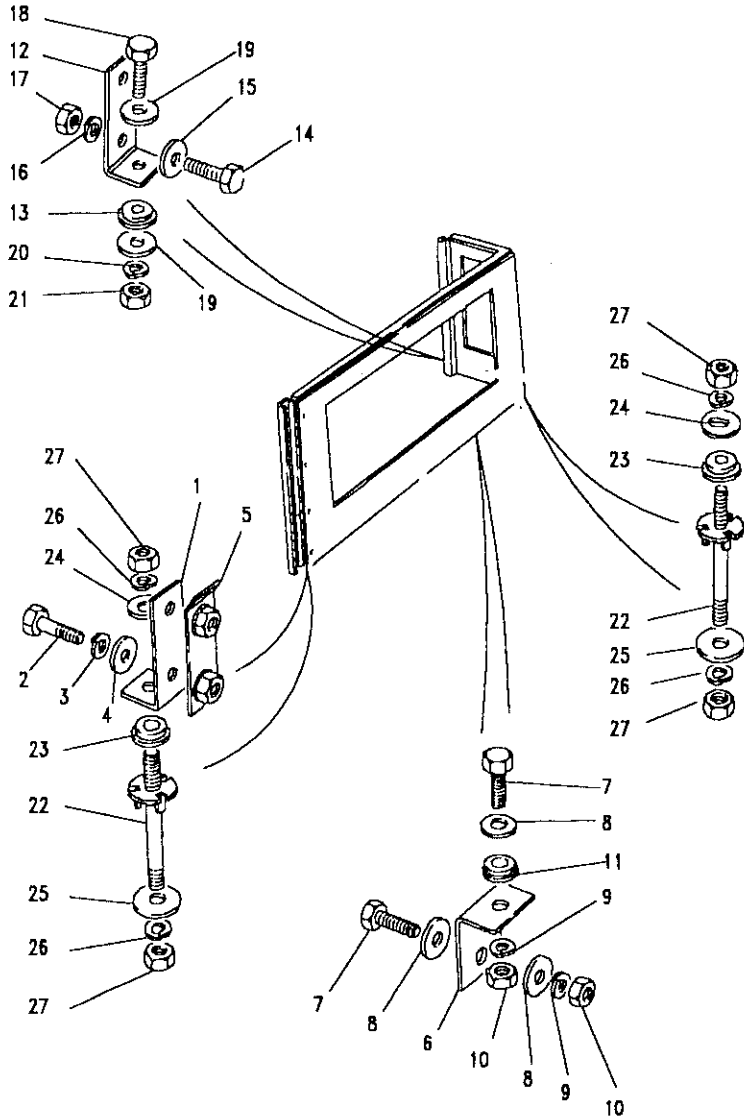
Model DEFENDER 110 1987 onwards
Page AFNXLE4A

BODY - REAR BODY UPPER - STATION WAGON



III. Part No.	Description	Qty	Remarks
1	338554	2	Angle mounting
2	SH108161L	4	Screw
3	WL108001L	4	Washer spring
4	WC108051L	4	Washer plain
5	MUC1324	2	Nut plate
6	332201	2	Bracket support
7	FS106201L	4	Flange screw
8	AFU1080	6	Washer plain
9	WL106001L	4	Washer spring
10	NH106041L	4	Nut
11	338550	2	Buffer rubber
12	338552	2	Bracket support
13	338550	2	Buffer rubber
14	FS106167L	4	Screw
15	MRC5525	4	Washer plain
16	WL106001L	4	Washer spring
17	NH106041L	4	Nut
18	SH108301L	2	Screw
19	WC108051L	4	Washer plain
20	WL108001L	2	Washer spring
21	FN108041L	2	Nut



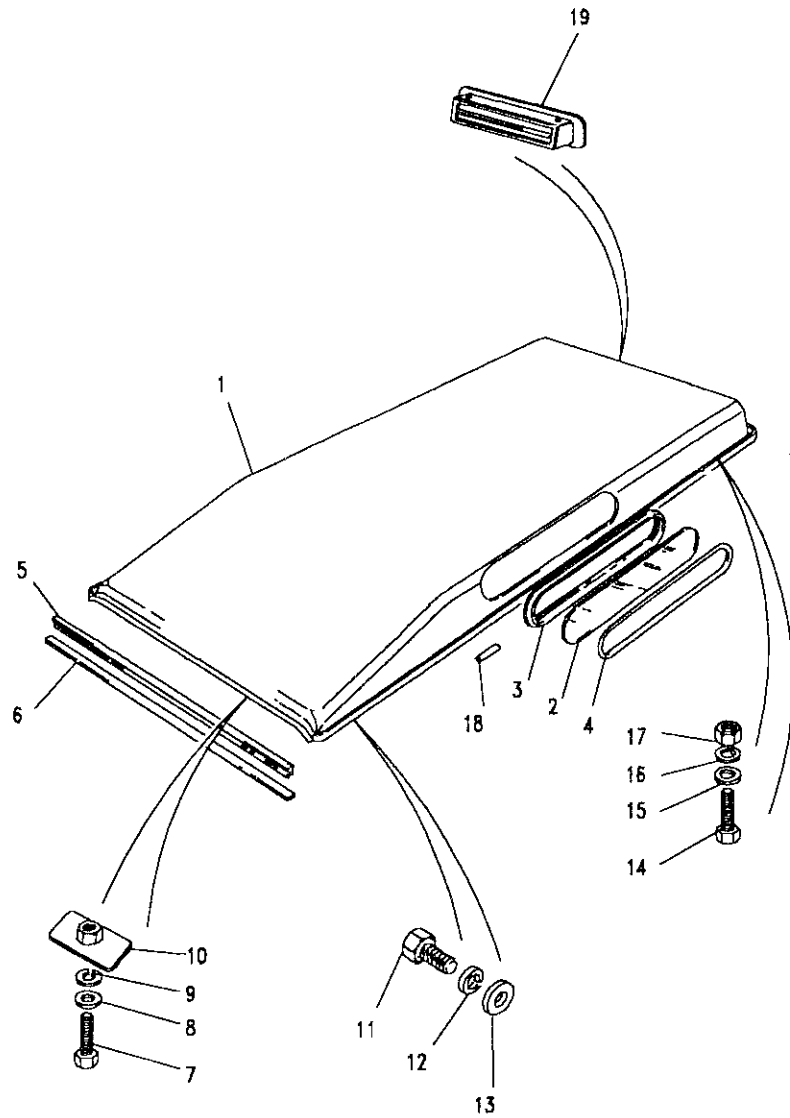


Model DEFENDER 110 1987 onwards
Page AFNXLE4A

BODY - REAR BODY UPPER - STATION WAGON

III. Part No.	Description	Qty	Remarks
22	MRC9833	4	
23	338553	4	
24	332293	4	
25	WC108051L	4	
26	WL108001L	8	
27	FN108041L	8	





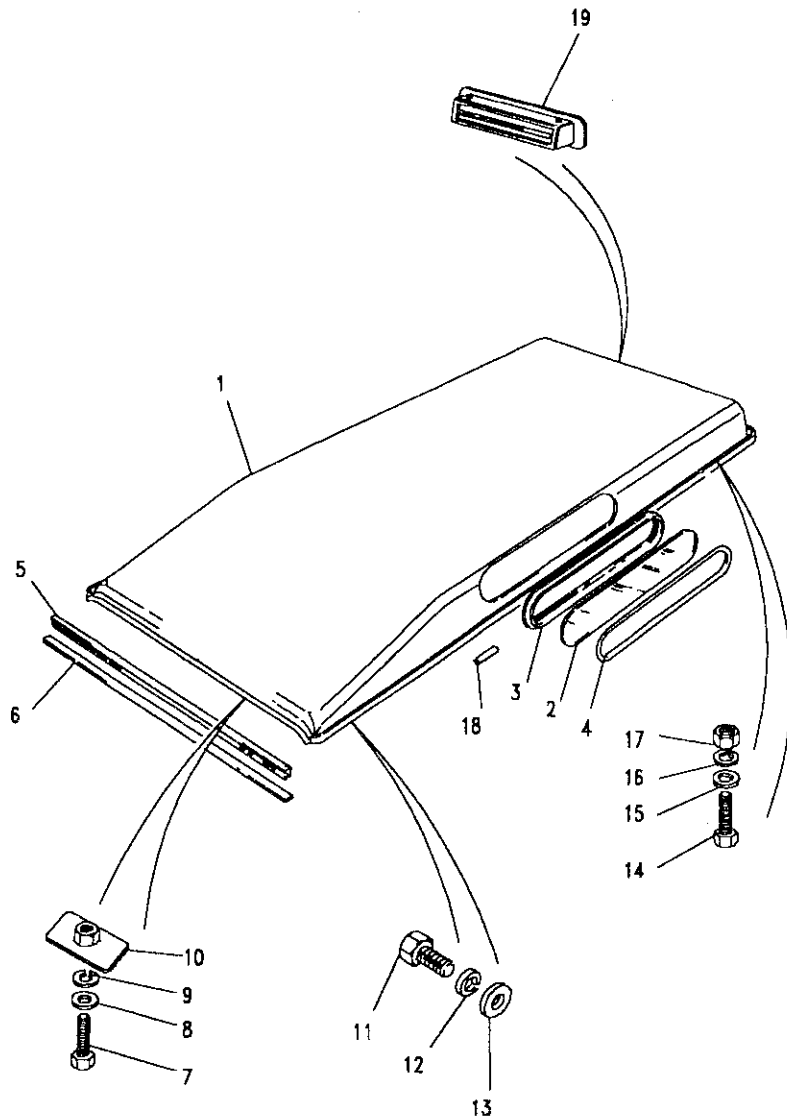
Model DEFENDER 110 1987 onwards
Page AFNXMA1A

BODY - ROOF - HARD TOP AND STATION WAGON

III. Part No.	Description	Qty	Remarks
MWC5217	Roof - With external stiffeners - Sunroof aperture Roof assembly	1	Station Wagon with From EA314268
1 MWC6699	Roof - With internal stiffeners - From FA Roof assembly	1	Hard Top
MWC6698	Roof assembly	1	Station Wagon
MWC6908	Roof assembly	1	Station Wagon with sunroof aperture

Note(1) Hard top and Station wagon (minus sunroof aperture) NLA - use later part numbers





Model DEFENDER 110 1987 onwards
Page AFNXMA1A

BODY - ROOF - HARD TOP AND STATION WAGON

III. Part No.	Description	Qty	Remarks
2 MTC3474	Glass tinted	2	5mm glass
MWC4714	Glass tinted	2	4mm glass
3 302177	Weatherstrip	2	5mm glass
MWC4771	Weathersrip	2	4mm glass
4 302178	Fillerstrip	2	
5 MTC4994	Seal inner	1	
6 MTC6568	Seal outer	1	
MUC6400	Seal corner	2	

Fixings - Roof header to windscreen

7 SH106251L	Screw	6	
8 WA106041L	Washer plain	6	
9 WL106001L	Washer spring	6	
10 MTC3203	Nut plate	6	

Fixings - Roof cantrail to windscreen

11 SH106251L	Screw	2	Up to HA903402
AB614081L	Screw	2	From HA903403
12 WA106041L	Washer plain	2	
13 WL106001L	Washer spring	2	Up to HA903402
302532	Spire nut	2	From HA903403



Model DEFENDER 110 1987 onwards
Page AFNXMA1A

BODY - ROOF - HARD TOP AND STATION WAGON

III. Part No. Description Qty Remarks

Fixings - Roof to upper body

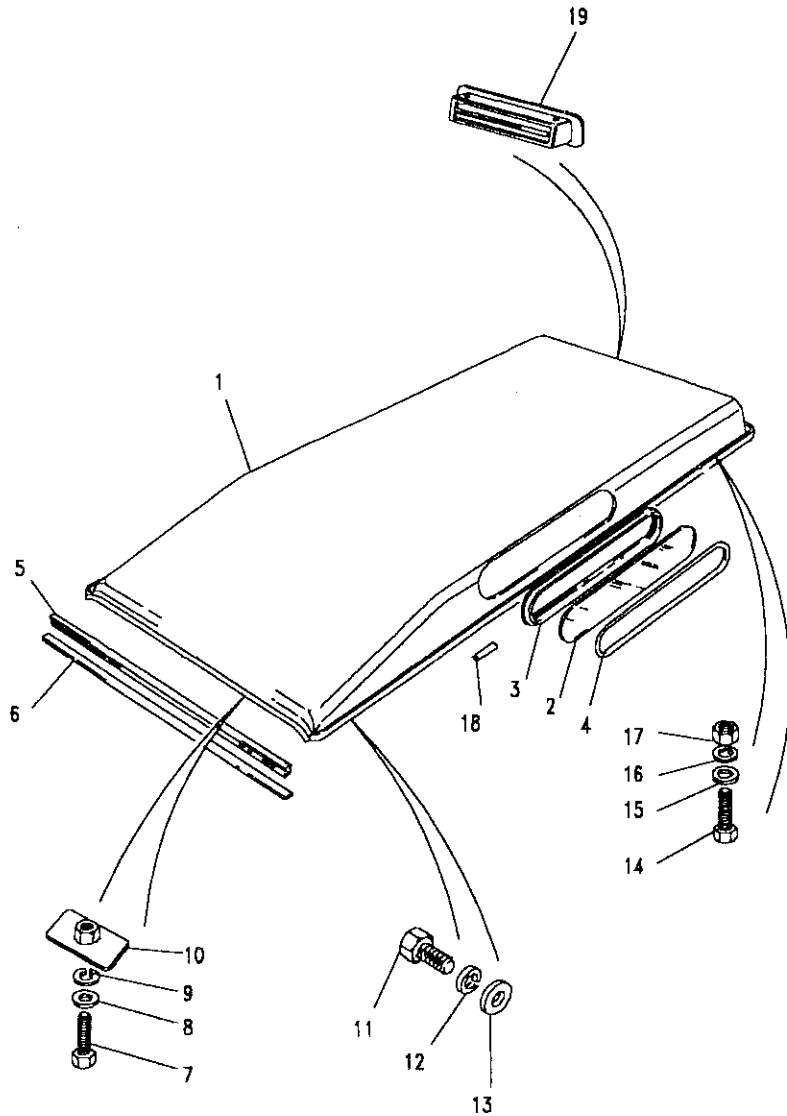
14	FS106201L	Flange screw	24)
15	WA106041L	Washer plain	24) Note(5)
16	WL106001L	Washer spring	24)
17	NH106041L	Nut	24)

BC post to roof cantrail

18	334615	Seal	2	Station Wagon
19	STC1346	Ventilator	2	Upto FA441847

Applicable to Germany only

MTC8332	Capping front corner RH	1
MTC8331	Capping front corner LH	1
RU608313L	Rivet	2
MTC7513	Strip edging cantrail	A/R
MUC3809	Cover bracket cantrail	2
MUC3882	Cover cantrail RH	1
MUC3883	Cover cantrail LH	1





Model DEFENDER 110 1987 onwards

Page AFNXMG1A

BODY - ROOF - TRUCK CAB

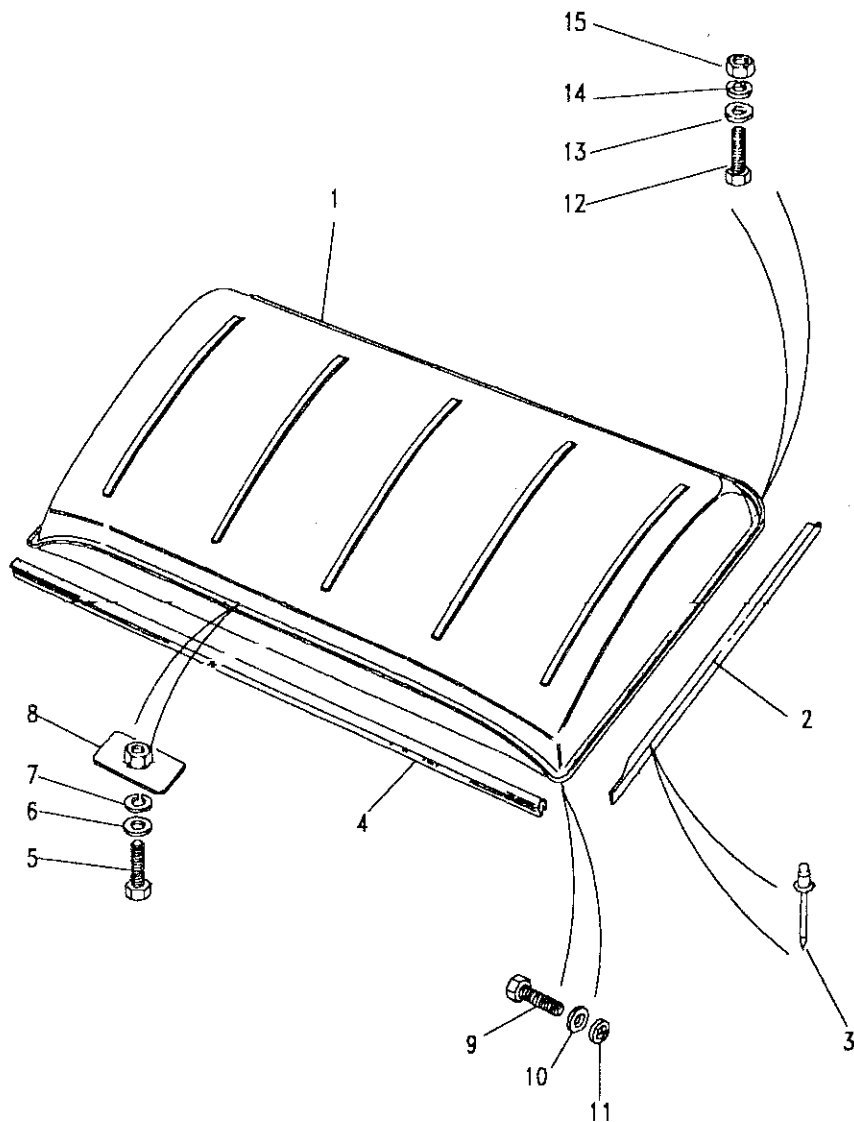
III. Part No.	Description	Qty	Remarks
1	MWC6055	1	Roof assembly
2	MUC9204	1	Retainer seal RH
	MUC9205	1	Retainer seal LH
3	78248	10	Rivet
4	MTC4994	1	Seal inner
	MTC6568	1	Seal outer
	MUC6400	2	Seal corner

Roof header to windscreen

5	FS106167L	6	Screw
6	WA106041L	6	Washer plain
7	WL106001L	6	Washer spring
8	MTC3203	6	Nut plate

Roof cantrail to windscreen

9	SH106251L	2	Screw	Upto HA903402
	AB614081L	2	Screw	From HA903403
10	WA106041L	2	Washer plain	
11	WL106001L	2	Washer spring	Upto HA903402
	302532	2	Spire nut	

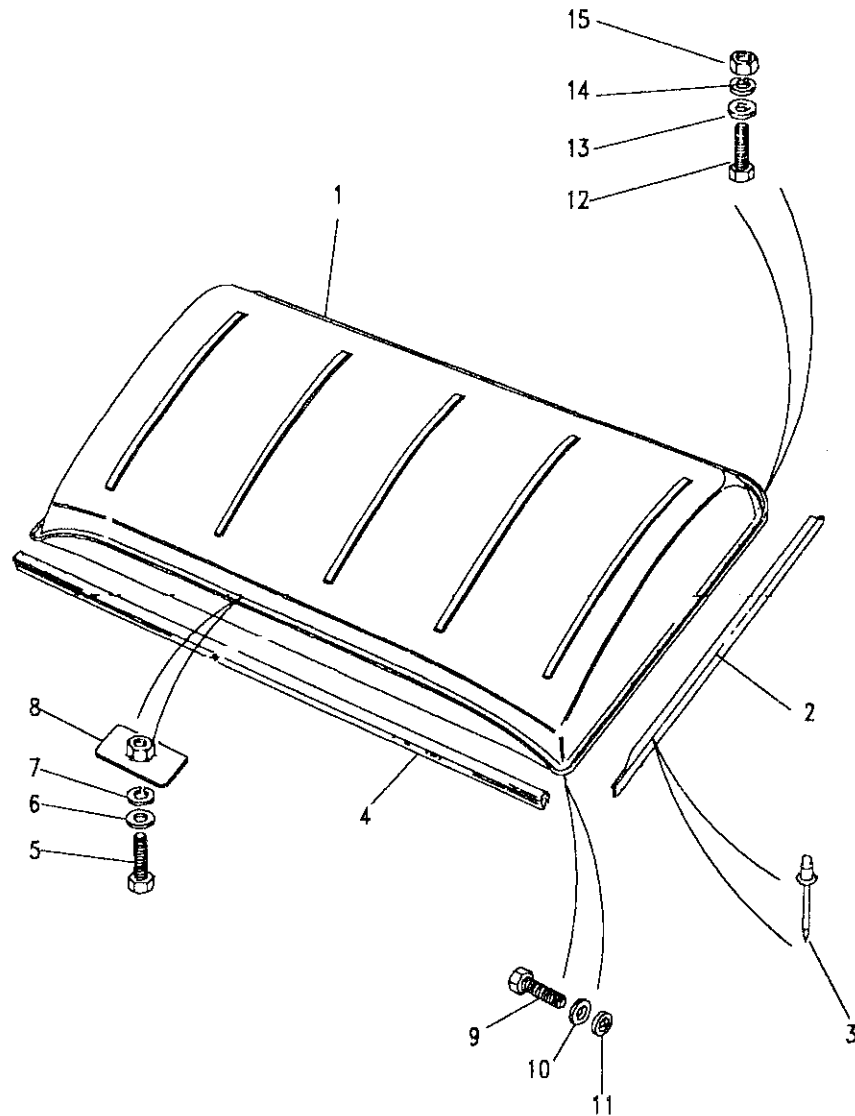




DEFENDER 110 1987 onwards

871

BODY AND CHASSIS



Model DEFENDER 110 1987 onwards
Page AFNXMG1A

BODY - ROOF - TRUCK CAB

III. Part No.	Description	Qty	Remarks
Roof to cab rear panel			
12 FS106201L	Flange screw	8	
13 WA106041L	Washer plain	12	
14 WL106001L	Washer spring	12	
15 NH106041L	Nut	12	
Applicable to Germany only			
MTC7513	Strip edging cantrail	1/R	
MTC8331	Capping front corner LH	1	
MTC8332	Capping front corner RH	1	
RU608313L	Rivet	2	
Defender 130			
RRC6177	Roof assembly	1	Crew cab





Model DEFENDER 110 1987 onwards

Page AFNXNA1A

BODY - SUNROOF

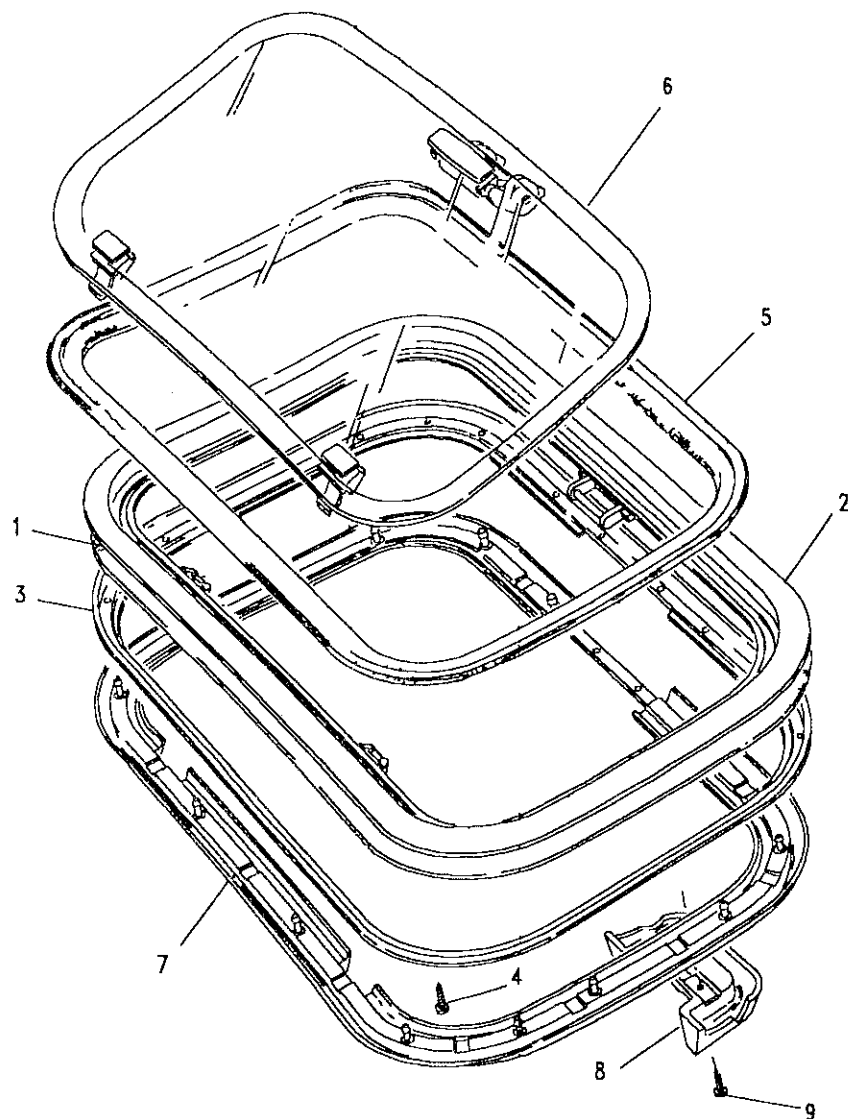
III. Part No. Description Qty Remarks

Fitted from 1988 model year - VIN 314268

Part No.	Description	Qty	Remarks
1	MWC9500 Seal	1	
2	RTC5941 Frame assembly sunroof	1	
3	RTC6790 Frame clamping	1	
4	AA610031 Screw	14	
5	RTC5942 Seal sunroof frame	1	
6	RTC5943 Panel glass sunroof	1	
7	MWC5202 Trim ring sunroof	1	NLA use MXC5011
	MXC5011 Trim ring sunroof	1	Note(1)
8	MWC5201 Shroud handle	1	To fit MWC5202
	MXC5010 Shroud handle	1	To fit MXC5011
9	AB610041L Screw	2	

Note(1)
Note(2)

When replacing MWC5202 with MXC5011 fit also MXC5010
These parts are to service factory fit sun roof only. Sun roof cannot be retrospectively fitted.





Model DEFENDER 110 1987 onwards

Page AFNXNA2A

BODY - SUNROOF

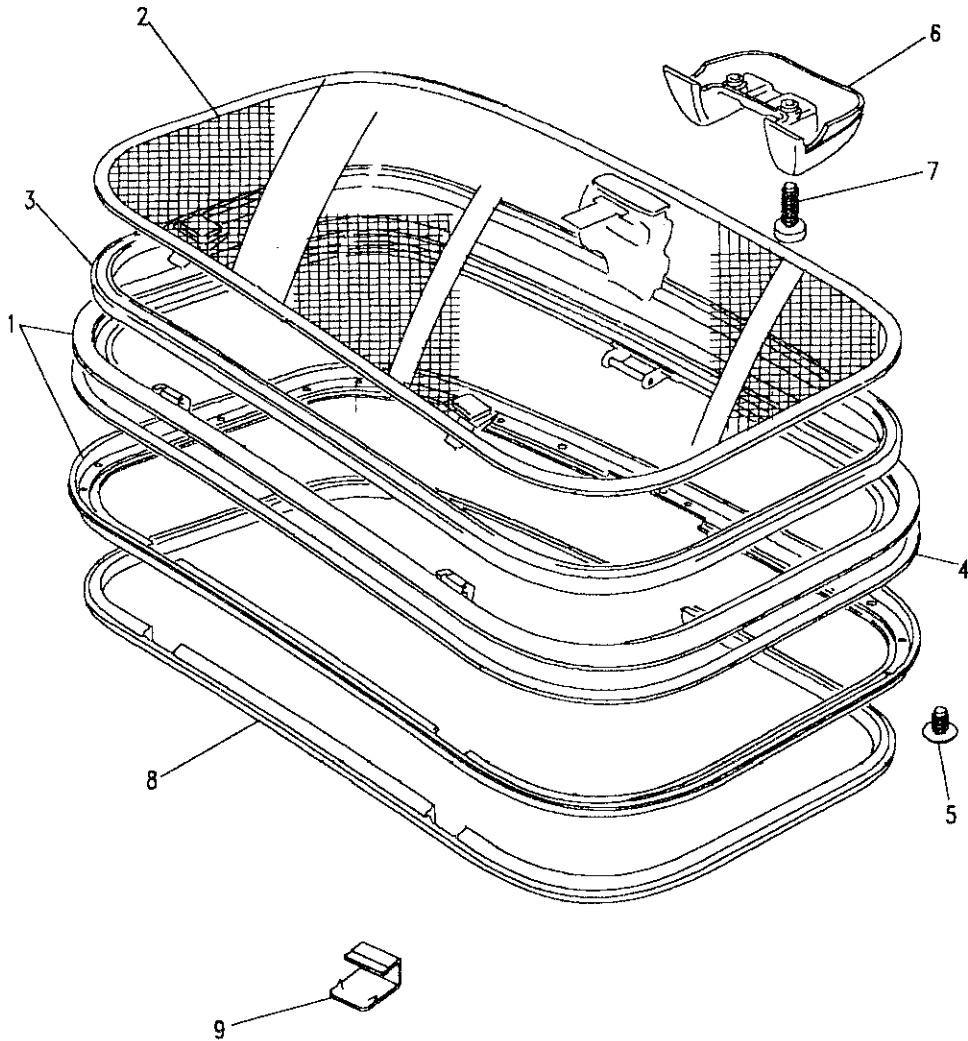
III. Part No.

Description

Qty Remarks

From 1992 Model Year - JA906592

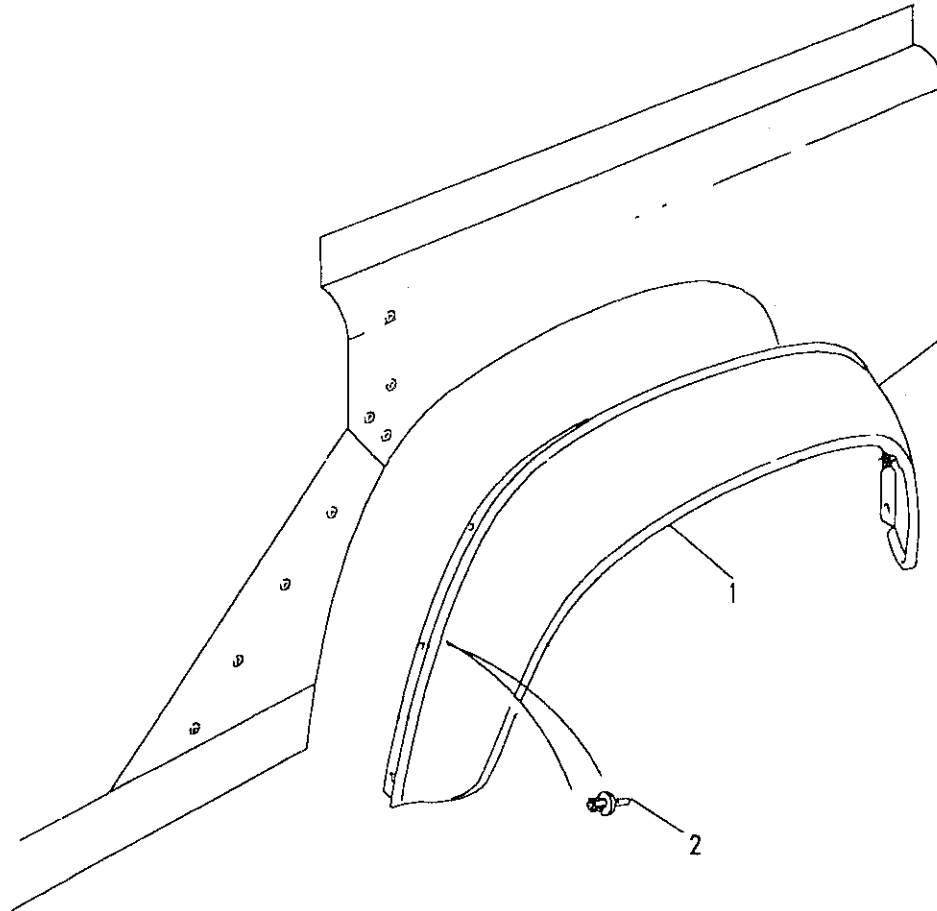
1	STC746	Frame and clamp assy	1	
2	STC747	Glass panel assy	1	
3	RTC5942	Seal	1	Glass to frame
4	MWC9500	Seal	1	Sunroof to roof
5	AA610031	Screw	14	
6	ALR1460	Shroud handle	1	
7	STC749	Screw	2	
8	STC748	Seal	1	Sunroof to heading
9	ALR2386	Clip retaining	8	





Model DEFENDER 110 1987 onwards
 Page AFNXOA1A

BODY - REAR EYEBROWS



III. Part No.	Description	Qty	Remarks
1 MRC8420	Eyebrow Black	2	Gloss
RRC3045	Eyebrow Black	2	Matt
MTC6873AA	Eyebrow	2	Arizona tan
MTC6873CL	Eyebrow	2	Venetian red
MTC6873HC	Eyebrow	2	Bronze green
MTC6873HN	Eyebrow	2	Trident green
MTC6873JC	Eyebrow	2	Marine blue
MTC6873JP	Eyebrow	2	Stratos blue
MTC6873LN	Eyebrow	2	Slate grey
MTC6873NM	Eyebrow	2	Ivory
MTC6873CUF	Eyebrow	2	Arrow red
MTC6873JUG	Eyebrow	2	Shire blue
MTC6873HUJ	Eyebrow	2	Eastnor green
MTC6873SUB	Eyebrow	2	Arran beige
MTC6873JUH	Eyebrow	2	Pacific blue





Model DEFENDER 110 1987 onwards

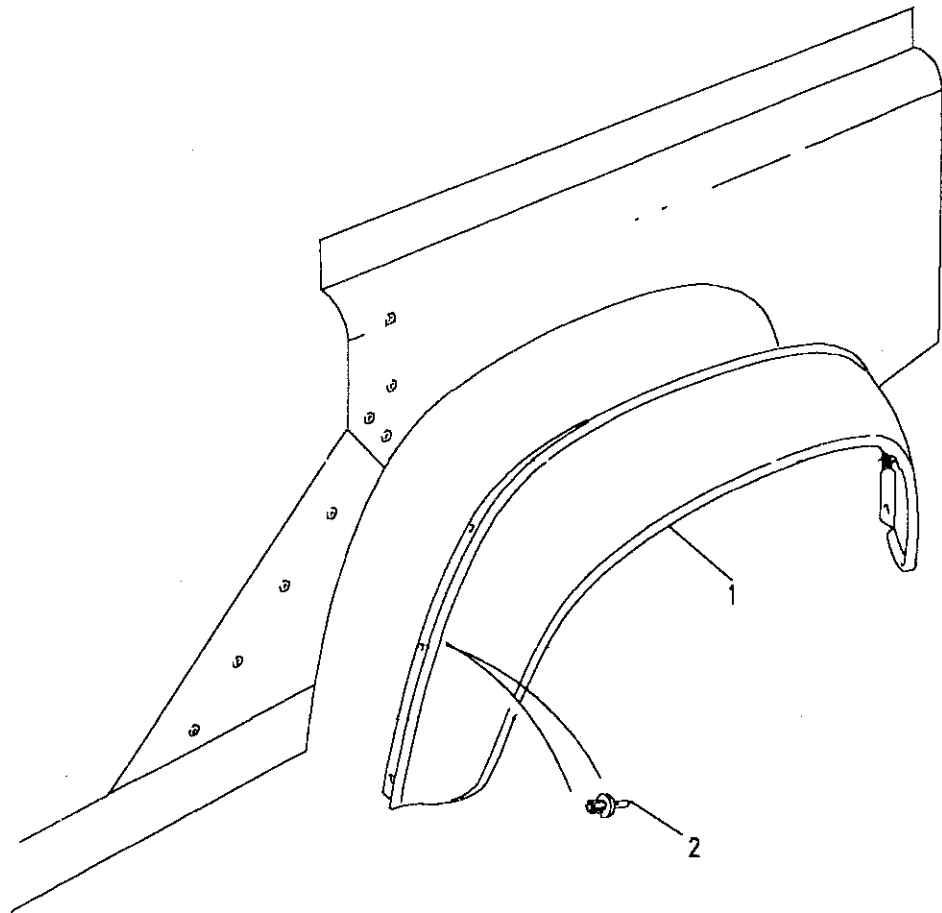
Page AFNXOA1A

BODY - REAR EYEBROWS

III. Part No.	Description	Qty	Remarks
---------------	-------------	-----	---------

Eyebrow moulding rear wing

MTC6873NUC	Eyebrow	2	White
MTC6873LUS	Eyebrow	2	Grey
MTC6873CUH	Eyebrow	2	County red
MTC6873HUL	Eyebrow	2	County green
MTC6873PUE	Eyebrow	2	County black
MTC6873HYE	Eyebrow	2	Coniston green
MTC6873CUY	Eyebrow	2	Montpellier red
MTC6873HAF	Eyebrow	2	Epsom green
2 AFU1075	Rivet plastic	24	





DEFENDER 110 1987 onwards

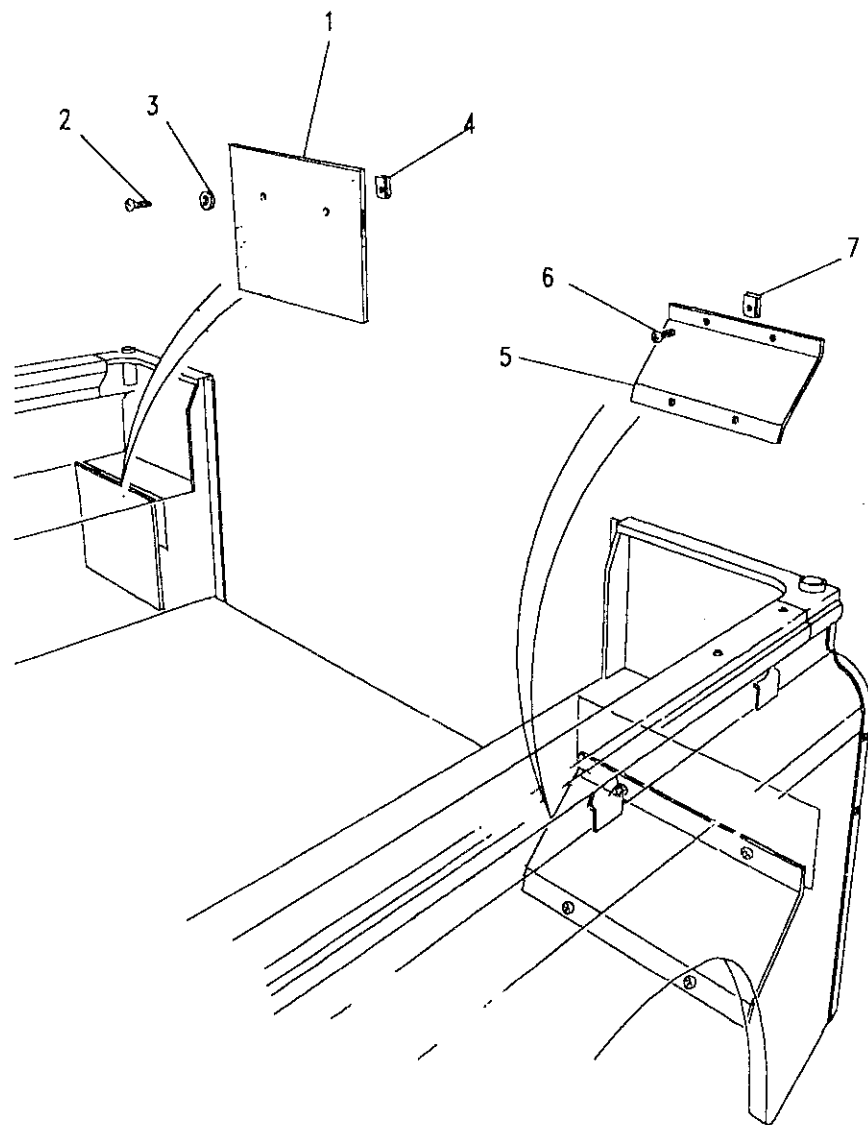
876

BODY AND CHASSIS

Model DEFENDER 110 1987 onwards

Page AFNXOB1A

BODY - REAR LAMPS PROTECTION



III. Part No.

Description

Qty Remarks

1	MTC7861	Mud shield	1	Upto HA905083
	BTR1790	Mud shield	1	From HA905084
2	AR610051L	Screw	2	
3	AFU1218L	Washer plain	2	
4	AK610021L	Nut spire	2	
5	MRC8094	Plate protection	1	
6	AR610051L	Screw	4	
7	AK610021L	Nut spire	4	



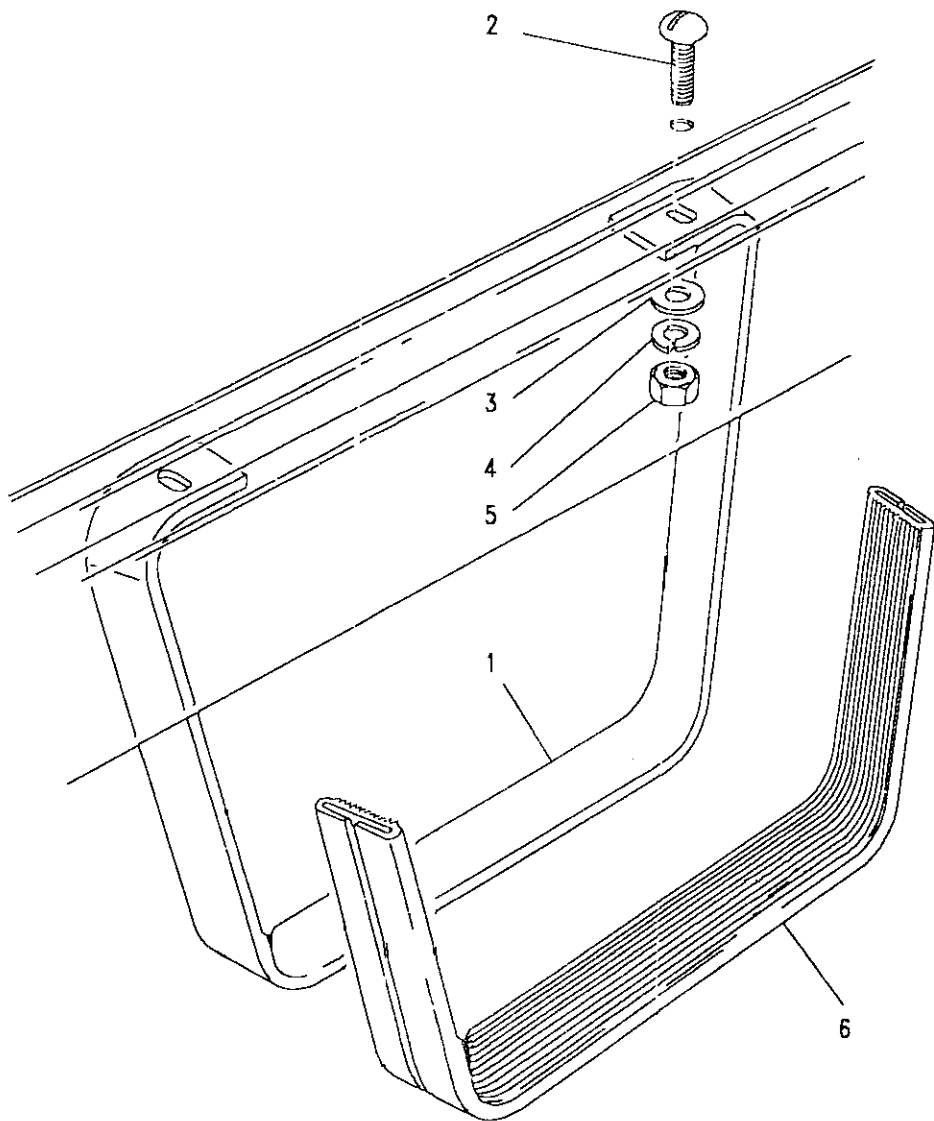


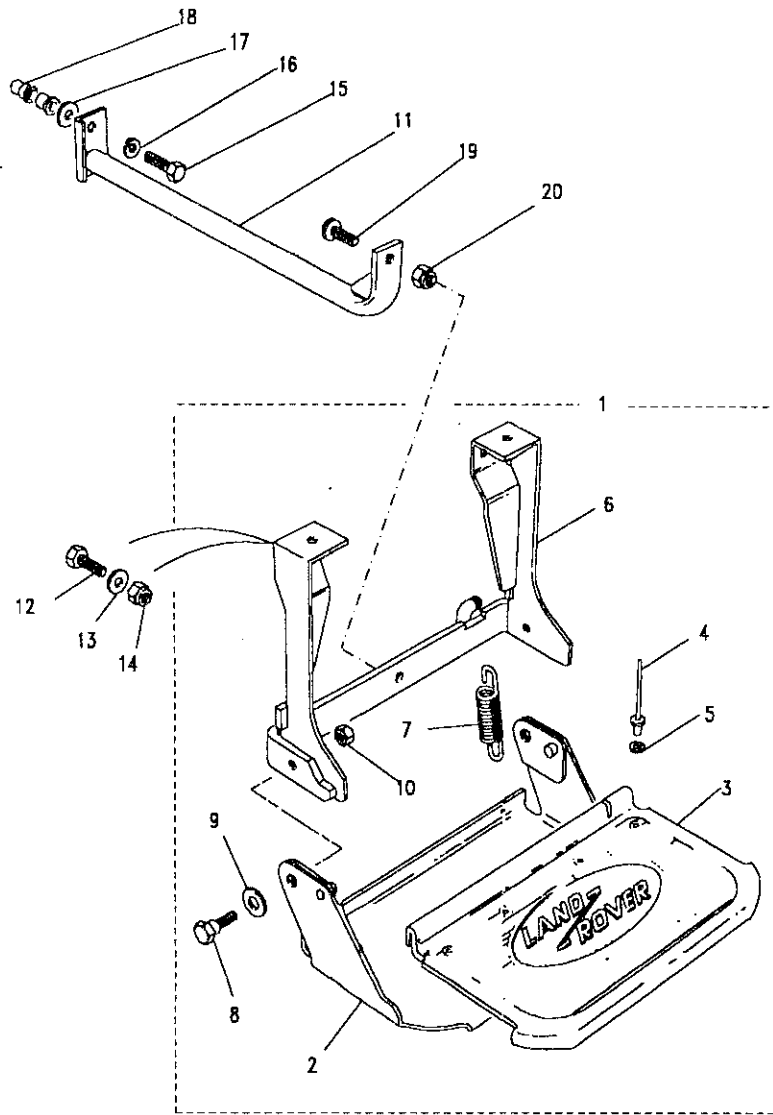
Model DEFENDER 110 1987 onwards
Page AFNXPA1A

BODY - STIRRUP STEP - SIDE DOORS

Ill. Part No.	Description	Qty	Remarks
1	MTC2138 Step side	1	Stirrup type
Fixings - Step to sill channel			
2	SE108251 Bolt	2	
3	WC108051L Washer plain	2	
4	WL108001L Washer spring	2	
5	FN108041L Nut	2	
6	MTC2548 Finisher step	1	Germany

Note(1) Quantities shown are for one step only

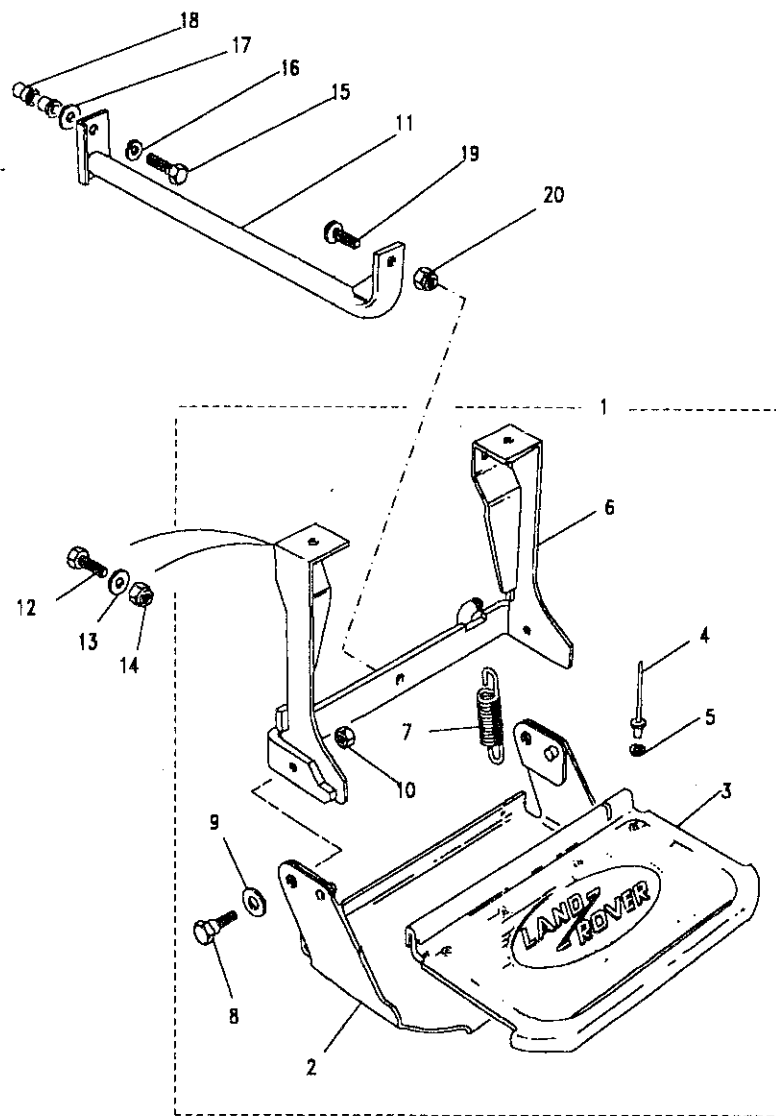




Model DEFENDER 110 1987 onwards
Page AFNXP2A

BODY - FOLDING STEP - SIDE DOORS - NOT GERMANY

Ill. Part No.	Description	Qty	Remarks
1	MTC7466	1	Step side
2	MTC3021	1	Step
3	MTC3076	1	Tread
4	RT612253	4	Rivet
5	WA105001L	4	Washer plain
6	MTC7465	1	Support
7	MTC1233	1	Spring
8	MTC7464	2	Bolt special
9	WB114001L	2	Washer plain
10	NY108041L	2	Nut
11	MXC1624	1	Brace
Fixings - Step to sill			
12	FS108251L	2	Screw
13	WA108051L	2	Washer plain
14	NY108041L	2	Nut



Model DEFENDER 110 1987 onwards

Page AFNXP2A

BODY - FOLDING STEP - SIDE DOORS - NOT GERMANY

III. Part No. Description Qty Remarks

Fixings - Brace to chassis

15	FŠ108251L	Screw	1
16	WL108001L	Washer spring	1
17	WC108051L	Washer packing	A/R
18	NN108021	Nut anchor	1

Fixings - Brace to step

19	SE108201	Screw	1
20	NY108041L	Nut	1

Note(1) Quantities shown are for one step only



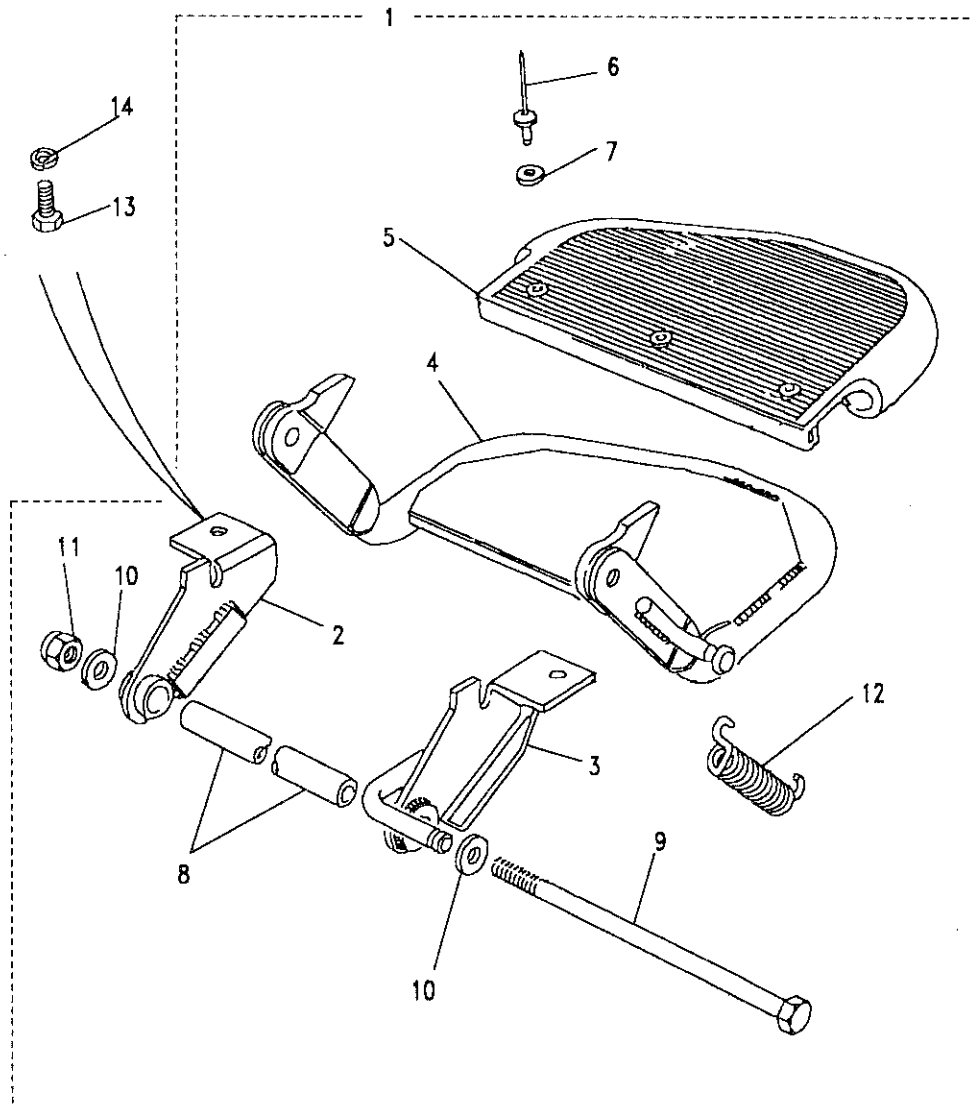
Model DEFENDER 110 1987 onwards
Page AFNXP3A

BODY - FOLDING STEP - REAR END DOOR

III. Part No.	Description	Qty	Remarks
1	MTC3084	1	Folding type
2	MTC3086	1	
3	MTC3087	1	
4	MTC3085	1	
5	MTC3091	1	
6	RA612373L	7	
7	WA105001	7	
8	MTC3099	1	
9	BH110521	1	
10	WC110061	2	
11	NY110041L	1	
12	MTC1233	1	

Fixings - Step to chassis

13	SH110201	2	
14	WL110001L	2	



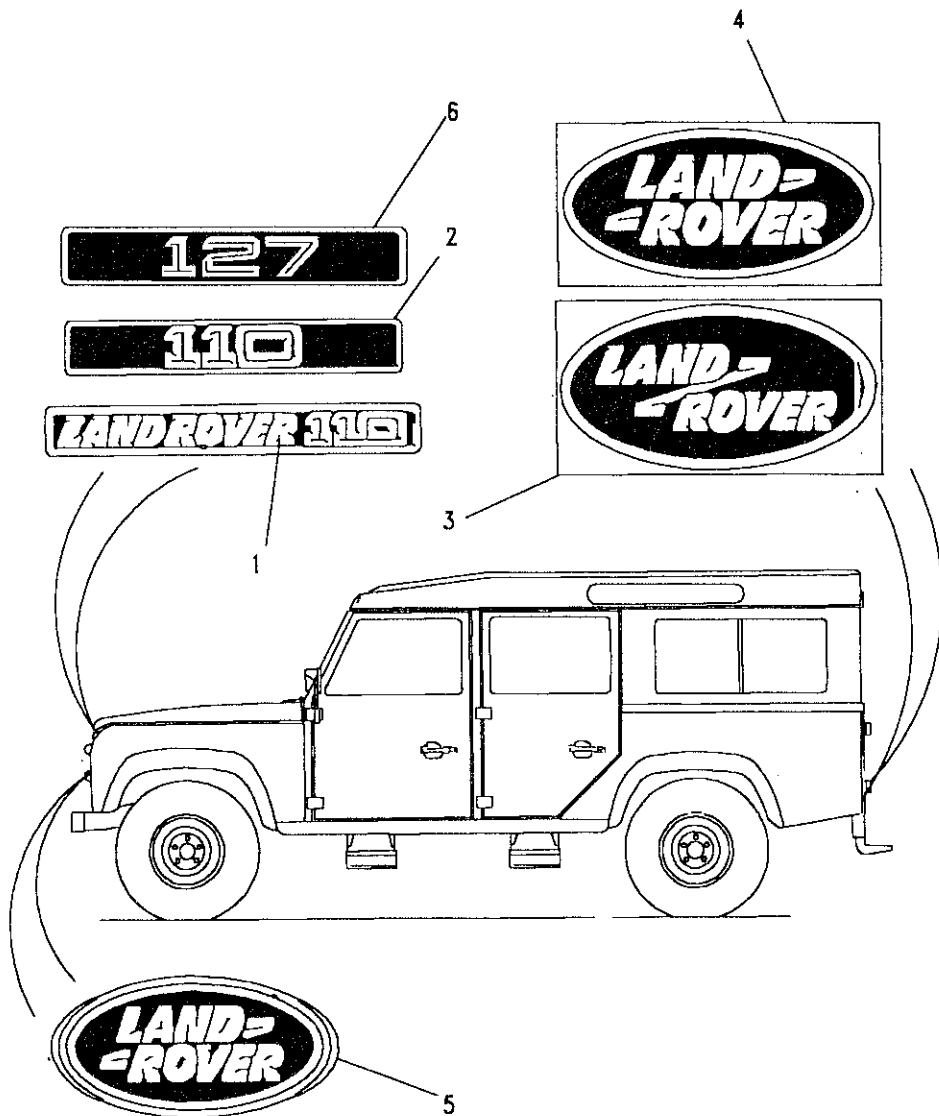


Model DEFENDER 110 1987 onwards
Page AFNXQA1B

BODY - DECALS - UP TO 1991 MODEL YEAR

III. Part No.	Description	Qty	Remarks
Defender 110 and 130 - Upto FA414615			
1 MUC2003	Nametape front	1	Note(1)
Defender 110 - From FA414616			
2 MXC6397	Nametape front	1	Note(1)
Defender 130 - From FA414616			
6 MXC6398	Nametape front	1	Note(1)
Defender 110 and 130			
3 MUC2002	Nametape rear	1	Note(1)
4 MXC6401	Nametape rear	1	Note(1)
5 MXC6402	Badge grille	1	Note(2)

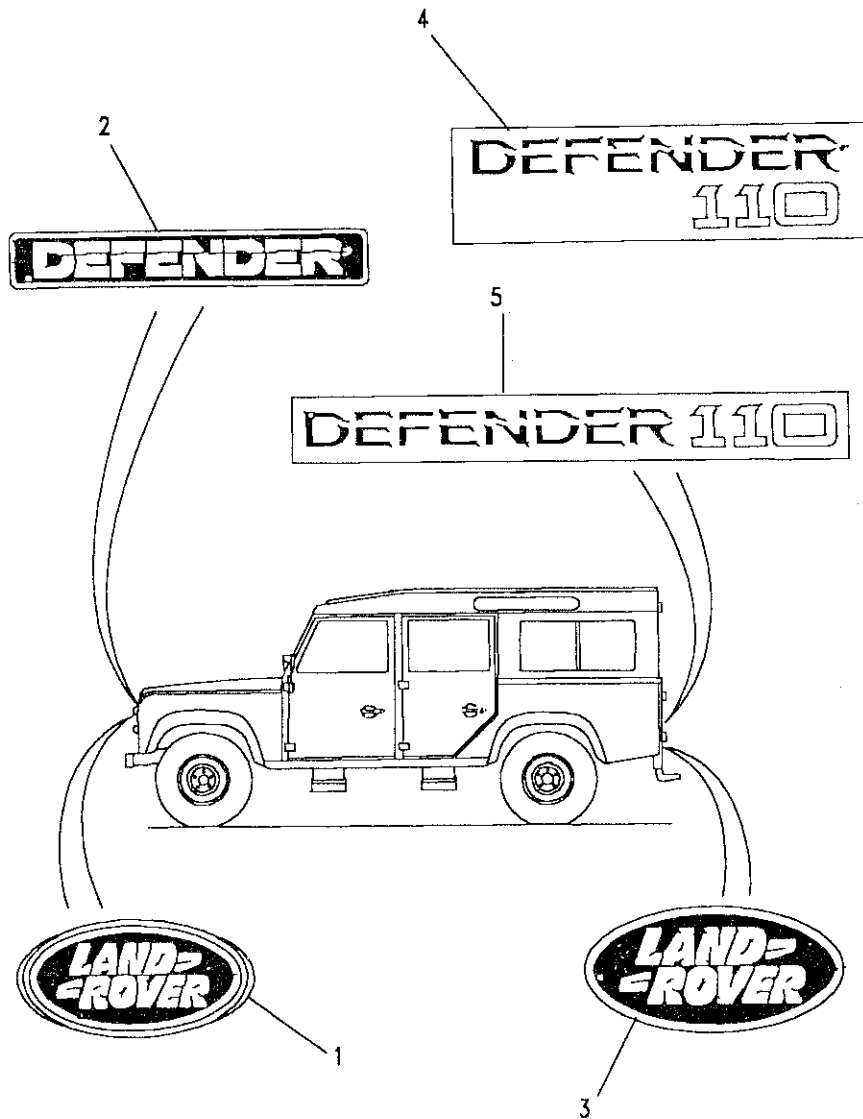
Note(1) Silver on black background
Note(2) Gold on green background





Model DEFENDER 110 1987 onwards
Page AFNXQA2A

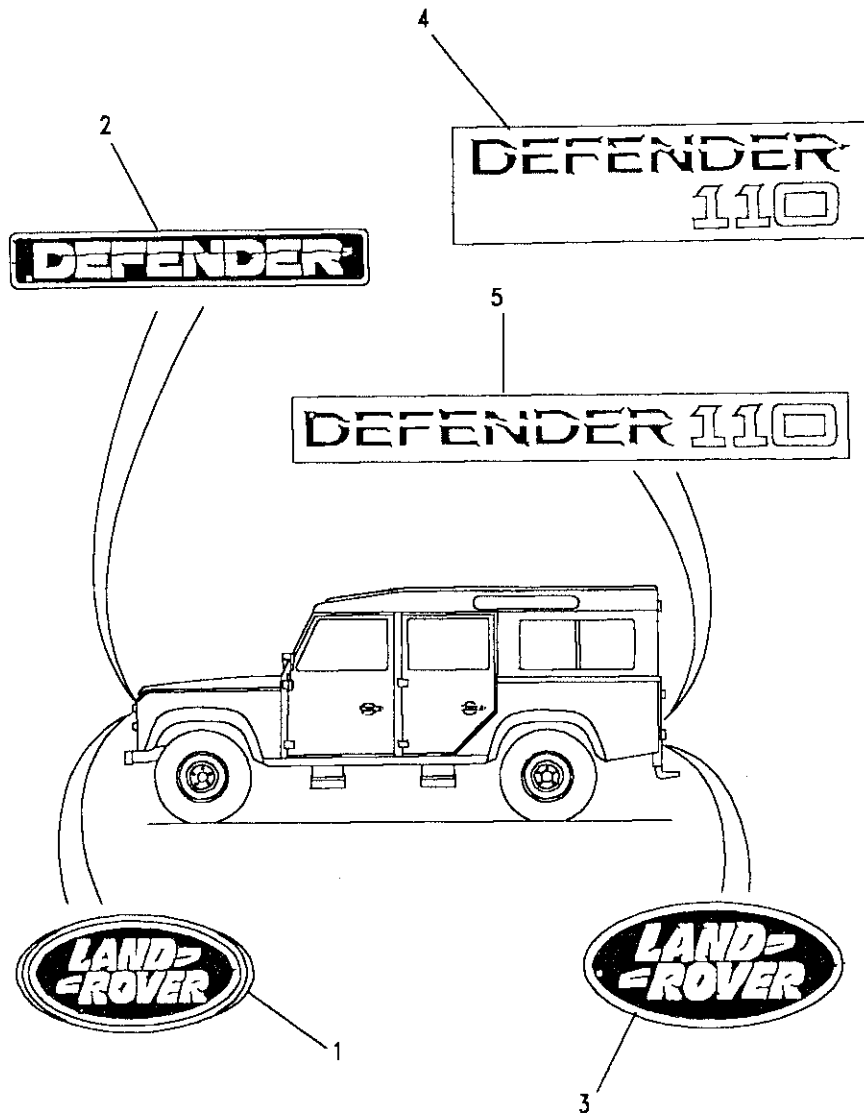
BODY - DECALS - FROM 1991 MODEL YEAR



III. Part No.	Description	Qty	Remarks
1 MXC6402	Badge grille	1	Note(1)
2 BTR1045	Tape front 'Defender'	1	Note(2)
3 BTR1047	Badge rear 'Land Rover'	1	Note(1)
Defender 110 - 1991 Model Year			
4 BTR1049	Tape rear 'Defender 110'	1	Note(3)
5 BTR1050	Tape rear 'Defender 110'	1	Note(3) HCPU
Defender 130 - 1991 Model Year			
BTR1051	Badge rear 'Defender 130'	1	Note(3)

- Note(1) Gold on green background
- Note(2) Silver on black background
- Note(3) Silver on clear background





Model DEFENDER 110 1987 onwards
Page AFNXQA2A

BODY - DECALS - FROM 1991 MODEL YEAR

III. Part No.	Description	Qty	Remarks
Defender 110 - 1992 Model Year			
BTR2982LVA	Tape rear 'Defender 110'	1	Note(1)
BTR2983LVA	Tape rear 'Defender 110'	1	Note(1) HCPU Crew cab
Defender 130 - 1992 Model Year			
BTR2984LVA	Tape rear 'Defender 130'	1	Note(1)

Note(1) LVA = Light Grey on clear background

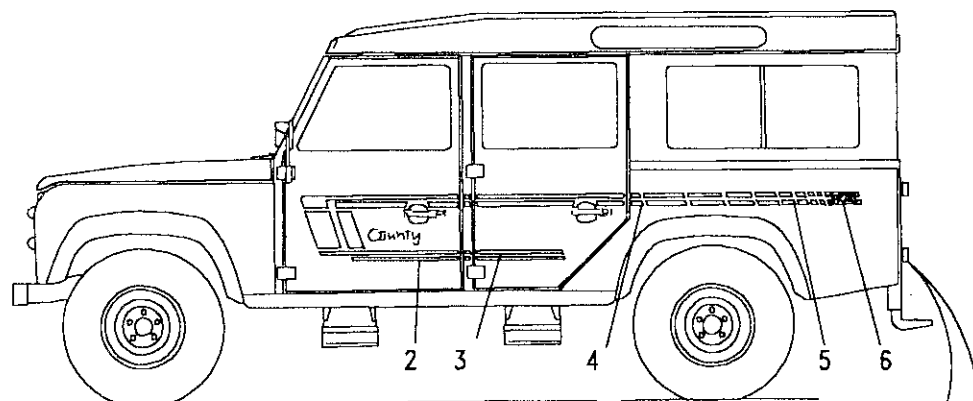




Model DEFENDER 110 1987 onwards

Page AFNXQA3A

BODY - BODYTAPES



III. Part No.	Description	Qty	Remarks
Upto 1988 Model Year			
1	MUC6932	1	Badge rear-'Turbo'
2	MWC2237HA	1	Tape front door LH
	MWC2237LB	1	Tape front door LH
	MWC2238HA	1	Tape front door RH
	MWC2238LB	1	Tape front door RH
3	MWC2239HA	1	Tape rear side door LH
	MWC2239LB	1	Tape rear side door LH
	MWC2240HA	1	Tape rear side door RH
	MWC2240LB	1	Tape rear side door RH
4	MWC2241HA	1	Tape bodyside LH
	MWC2241LB	1	Tape bodyside LH
	MWC2242HA	1	Tape bodyside RH
	MWC2242LB	1	Tape bodyside RH
5	MWC2243HA	1	Tape body strobe LH
	MWC2243LB	1	Tape body strobe LH
	MWC2244HA	1	Tape body strobe RH
	MWC2244LB	1	Tape body strobe RH
6	MWC2245HA	1	Badge 'V8' LH
	MWC2245LB	1	Badge 'V8' LH
	MWC2246HA	1	Badge 'V8' RH
	MWC2246LB	1	Badge 'V8' RH

TURBO

1

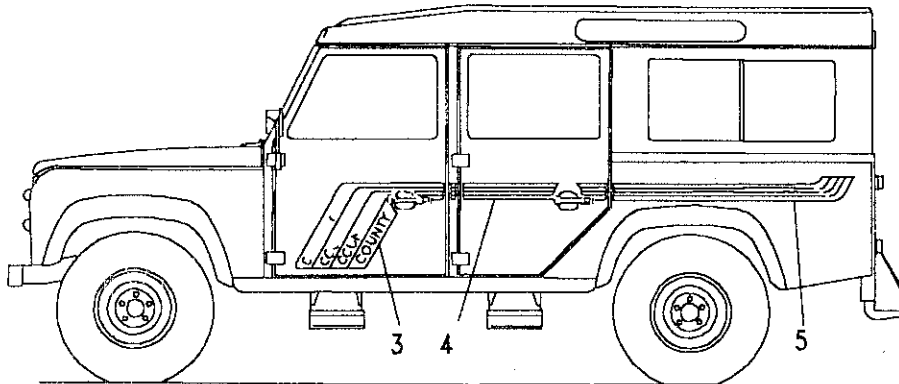




Model DEFENDER 110 1987 onwards

Page AFNXQA4A

BODY - BODYTAPES



III. Part No.	Description	Qty	Remarks
---------------	-------------	-----	---------

1988 Model Year upto 1989 Model Year - Non Station Wagon

1988 Model Year upto 1991 Model Year - Station Wagon

1	MWC8256LUJ MWC8256MUB	Badge rear 'Turbo' Badge rear 'Turbo'	1 1	Upto FA414615 From FA414616
2	MWC8257LUJ MWC8257MUB	Badge rear 'V8' Badge rear 'V8'	1 1	Upto FA414615 From FA414616
3	MWC7188RUM MWC7189RUM	Tape-Front Door RH Tape-Front Door LH	1 1	
4	MWC7190RUM MWC7191RUM	Tape-Rear Side Door RH Tape-Rear Side Door LH	1 1	
5	MWC8590RUM MWC8591RUM	Tape Rear Quarter RH Tape Rear Quarter LH	1 1	

- Note(1) 1988 Model Year - VIN EA
- Note(2) LUJ = Grey
- Note(3) MUB = Silver on black background
- Note(4) RUM = Dark grey/silver strobe



1



2

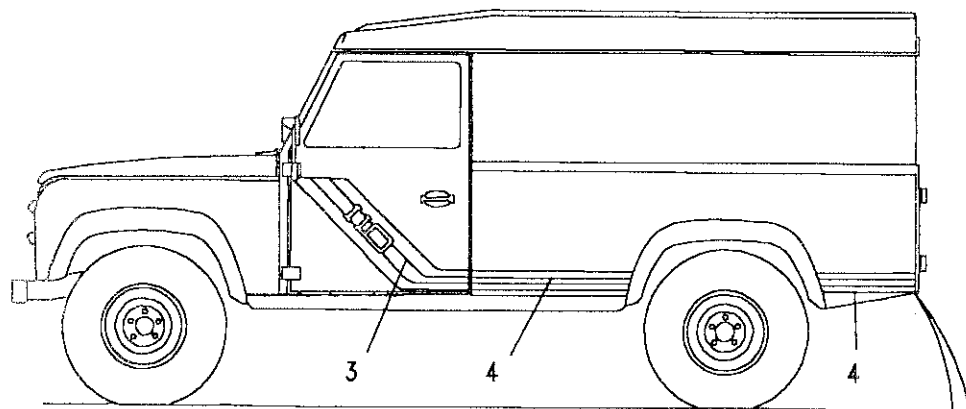




Model DEFENDER 110 1987 onwards

Page AFNXQA5A

BODY - BODYTAPES



III. Part No.	Description	Qty	Remarks
---------------	-------------	-----	---------

1989 Model Year upto 1991 Model Year - Non Station Wagon

1	MWC8256LUJ	Badge rear 'Turbo'	1 Upto FA414615
	MWC8256MUB	Badge rear 'Turbo'	1 From FA414616
2	MWC8257LUJ	Badge rear 'V8'	1 Upto FA414615
	MWC8257MUB	Badge rear 'V8'	1 From FA414616
3	MXC1874RUP	Tape front door RH	1
	MXC1875RUP	Tape front door LH	1
4	MXC5015RUP	Tape bodyside 1300mm	A/R Note(1)

Note(1)

1989 Model Year

Note(2)

Station Wagon refer to page 885

Note(3)

Chassis Cab = 500mm, Hard/Soft Top = 2600mm, HCPU = 3100mm

Note(4)

LUJ = Grey

Note(5)

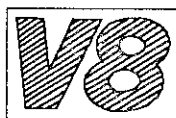
MUB = Silver on black background

Note(6)

RUP = Silver/mid grey/dark grey on ivory background

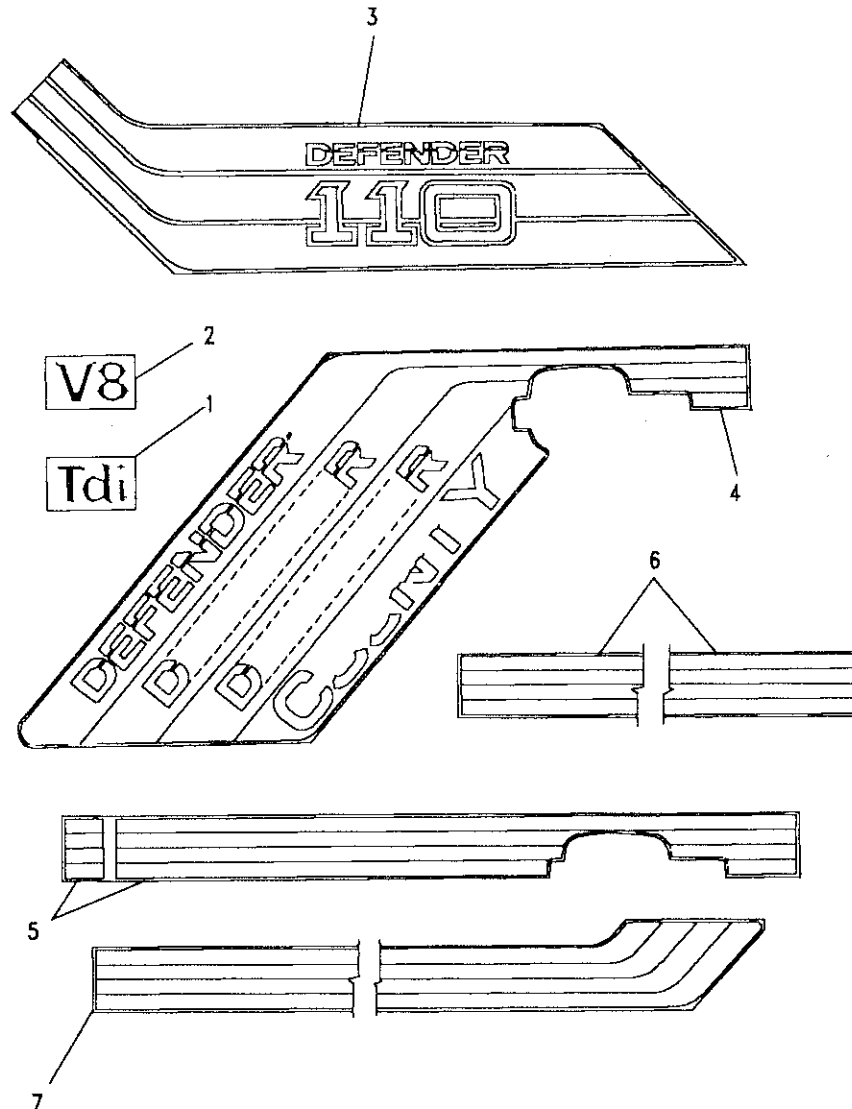


1



2



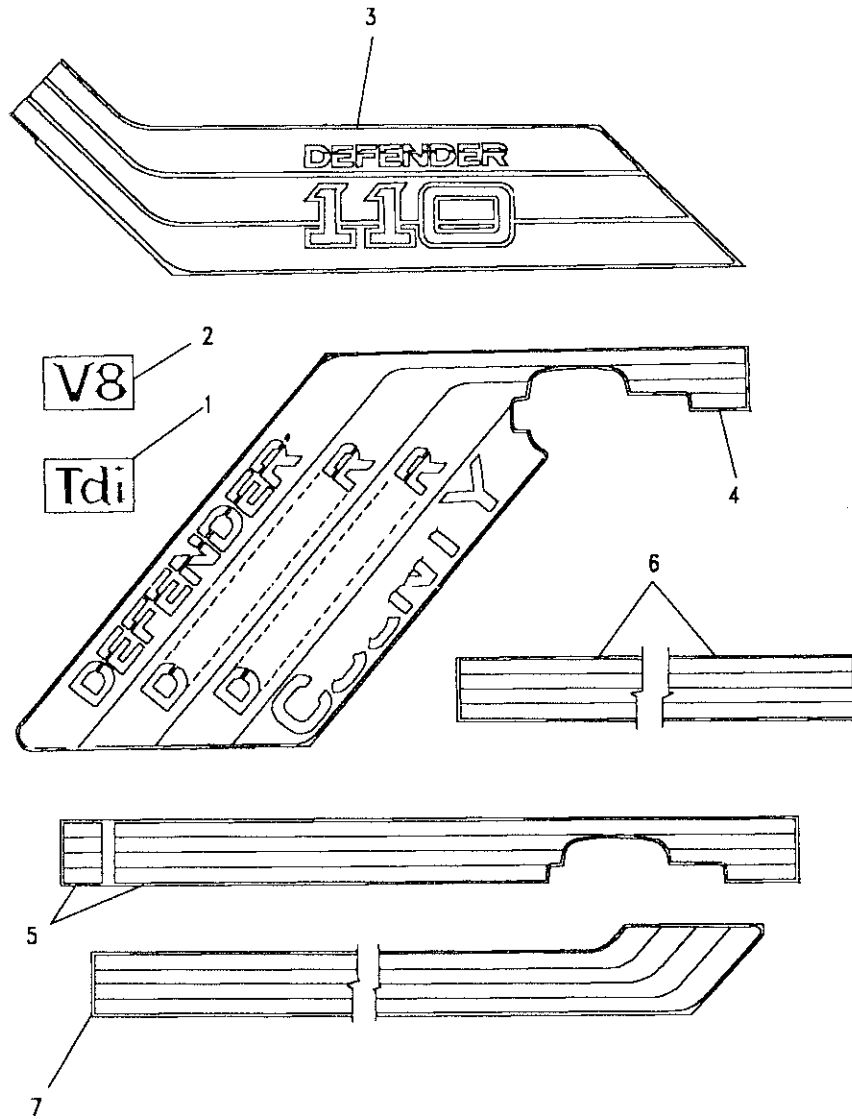


Model DEFENDER 110 1987 onwards
Page AFNXQA6A

BODY - BODYTAPES

Ill. Part No.	Description	Qty	Remarks
1991 Model Year			
1	BTR516MUB Badge front wing 'Tdi'	2	From HA455946
2	BTR514MUB Badge front wing 'V8'	2	From HA455946
Except County Station Wagon			
3	BTR1054RUK BTR1055RUK Tape front door RH Tape front door LH	1 1	From HA455962 From HA455962
County Station Wagon			
4	BTR1056RUV BTR1057RUV BTR1056RUW BTR1057RUW Tape front door RH Tape front door LH Tape front door RH Tape front door LH	1 1 1 1	From HA455646 From HA455646 From HA455962 From HA455962
5	BTR164RUV BTR165RUV BTR164RUW BTR165RUW Tape rear side door RH Tape rear side door LH Tape rear side door RH Tape rear side door LH	1 1 1 1	From HA455946 From HA455946 From HA455962 From HA455962





Model DEFENDER 110 1987 onwards
Page AFNXQA6A

BODY - BODYTAPES

III. Part No.	Description	Qty	Remarks
---------------	-------------	-----	---------

1991 Model Year

Except County Station Wagon

6	BTR98RUK	Tape bodyside 1300mm	A/R From HA455962
---	----------	----------------------	-------------------

County Station Wagon

7	BTR162RUV	Tape bodyside RH	1 From HA455946
	BTR163RUV	Tape bodyside LH	1 From HA455946
	BTR162RUW	Tape bodyside RH	1 From HA455962
	BTR163RUW	Tape bodyside LH	1 From HA455962

Note(1) Chassis Cab = 500mm, Pick Up, Hard/Soft Top = 2600mm, High Capacity Pick Up = 3100mm

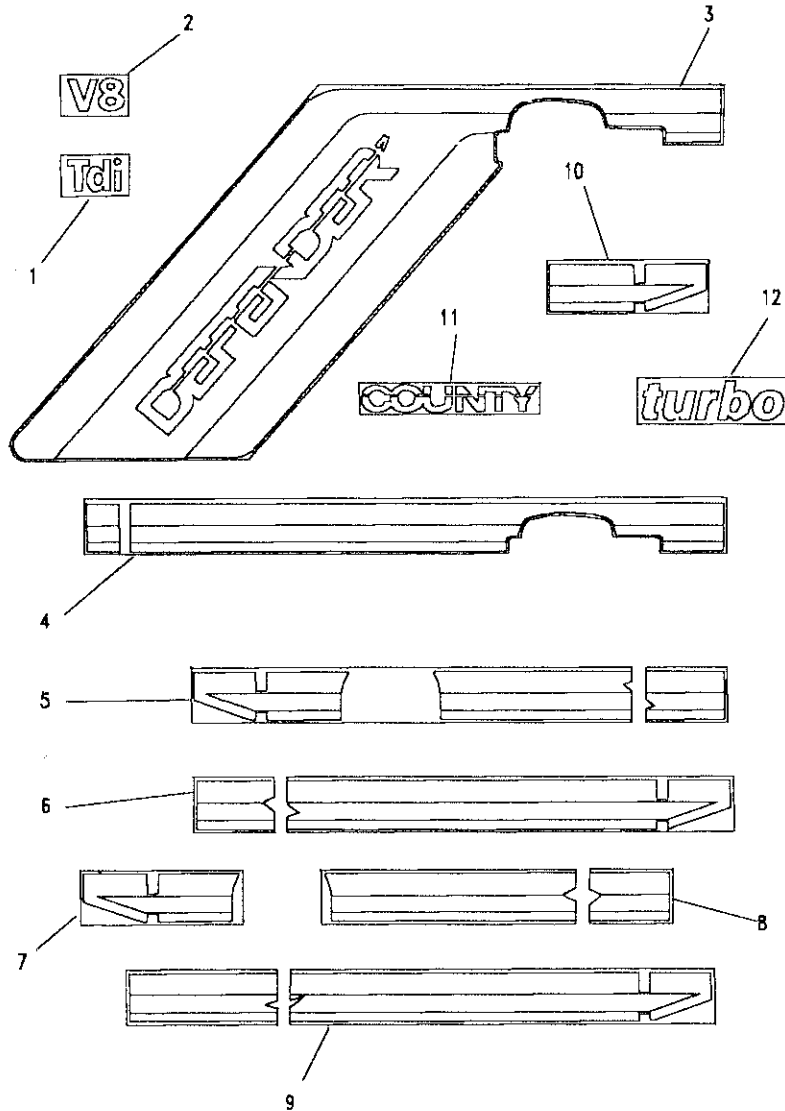
Note(2) MUB = Silver on Black background

Note(3) RUK = Multi Green (Light Red on Dark Green, Greenish White, and Turquoise)

Note(4) RUV = Strobe Blue (Greenish White, Pale Blue, Bright Blue, and Mid Blue)

Note(5) RUW = Strobe Green (Apple White, Light Green, Dark Green, Green)





Model DEFENDER 110 1987 onwards

Page AFNXQA7A

BODY - BODYTAPES

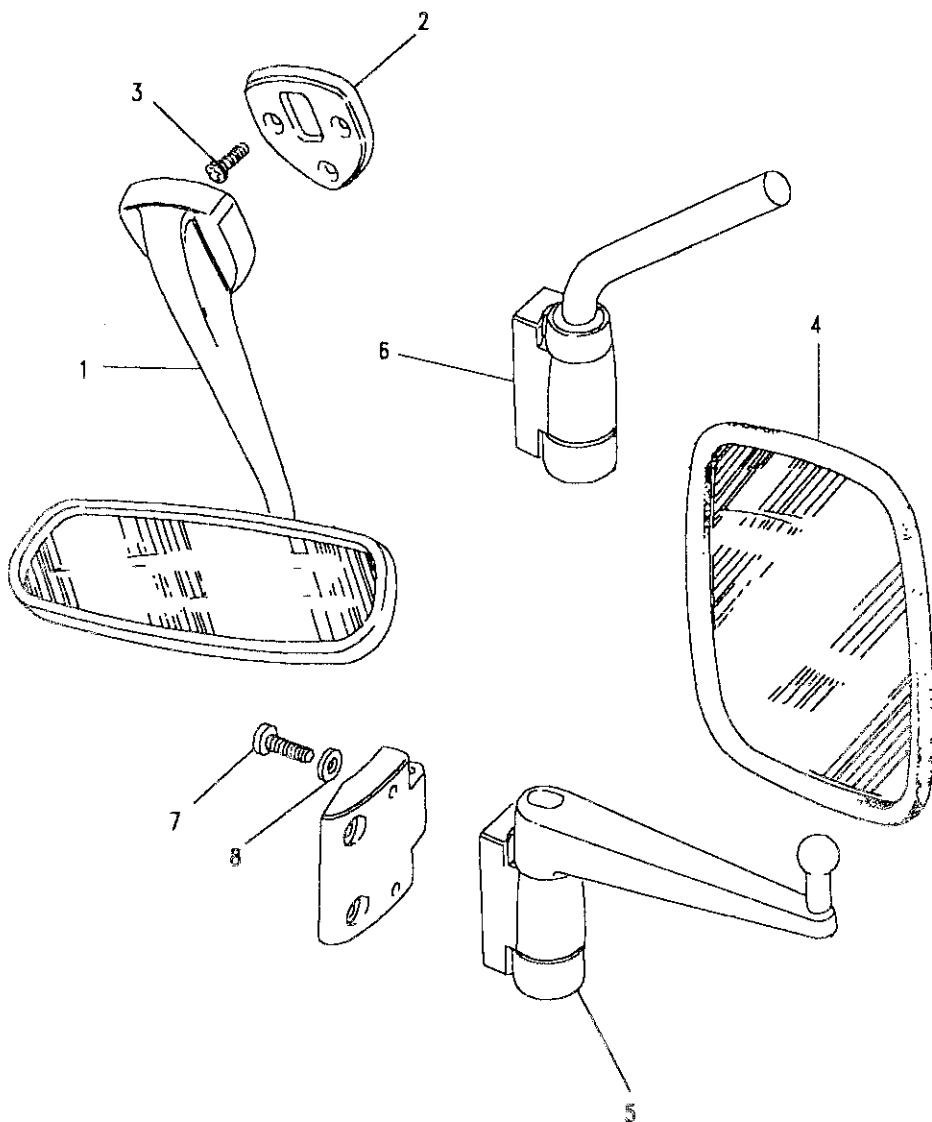
III. Part No.	Description	Qty	Remarks
1992 Model Year			
1 BTR516LVA	Badge front wing 'Tdi'	2	
2 BTR514LVA	Badge front wing 'V8'	2	
3 BTR2408RWF	Tape front door RH	1	
BTR2407RWF	Tape front door LH	1	
Station Wagon			
4 BTR2409RWF	Tape rear side door LH	1	
BTR2410RWF	Tape rear side door RH	1	
5 BTR2412RWF	Tape rear quarter RH	1	
6 BTR2411RWF	Tape rear quarter LH	1	
Non Station Wagon			
7 BTR2980RWF	Tape bodyside RH	1	
8 BTR2746RWF	Tape bodyside RH	1	
9 BTR2745RWF	Tape bodyside LH	1	
High Capacity Pick Up and Chassis Cab			
10 BTR2414RWF	Tape bodyside RH	1	
BTR2415RWF	Tape bodyside LH	1	
11 BTR2413SUJ	Tape bodyside 'County'	2	
12 MWC8256LVA	Badge rear 'Turbo'	1	

Note(1) LVA = Light Grey
 Note(2) RWF = Dark/Light Grey
 Note(3) SUJ = Beige



Model DEFENDER 110 1987 onwards
 Page AFNXRA1A

BODY - MIRRORS - INTERIOR AND EXTERIOR

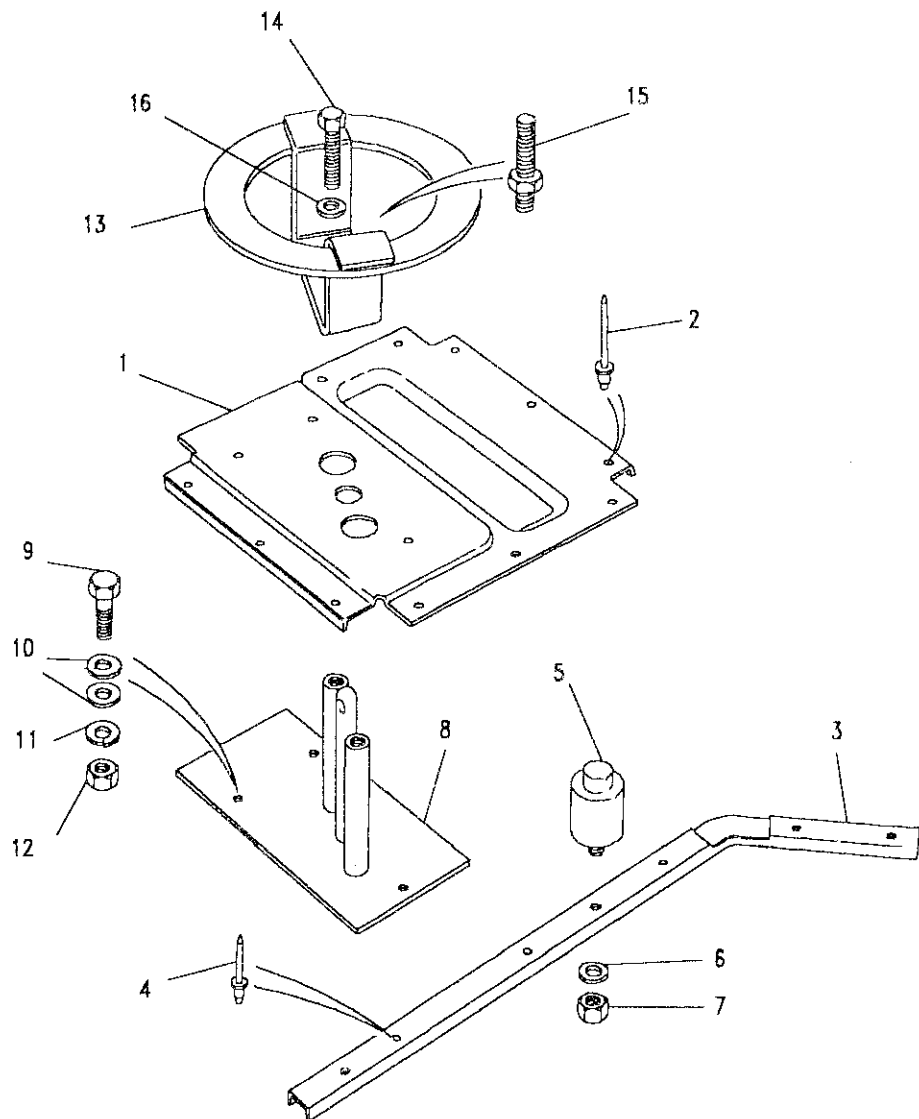


III. Part No.	Description	Qty	Remarks
1	MRC9564	1	Mirror interior
	MTC6376	1	Mirror interior
	372336	1	Base plate
2	SF104204L	3	Screw
	SF104164	3	Screw
3	MTC5084	2	Mirror head
	MRC9747	2	Mirror head
	MUC3707	1	Mirror head RH
	MUC3708	1	Mirror head LH
	RTC4341	2	Mirror glass
	RTC4340	2	Mirror glass
	RTC4342	2	Mirror glass
4	MTC5083	2	Mirror arm
	MRC4583	2	Mirror arm
	MTC5083	2	Mirror arm
5	SE604071L	4	Screw
6	MRC1979	4	Washer nylon

Model DEFENDER 110 1987 onwards
Page AFNXTA1A

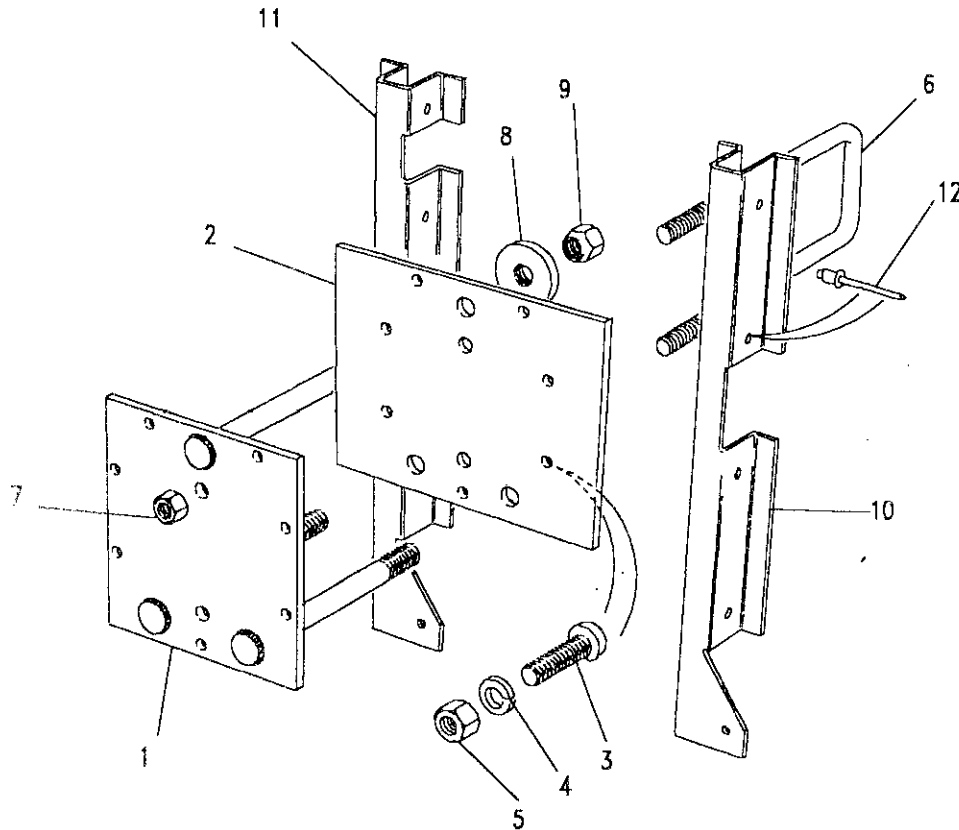
BODY - SPARE WHEEL CARRIER - BONNET

III. Part No.	Description	Qty	Remarks
1	MUC2443 Plate	1	
2	RA612183 Rivet	11	
3	MUC6418 Channel RH	1	
	MUC6419 Channel LH	1	
4	RA612183 Rivet	10	
5	MRC4619 Buffer rubber	4	
6	WB108051L Washer plain	4	
7	NY108041L Nut	4	
8	MUC2442 Plate clamping	1	
9	SH105161L Screw	3	
10	WA105001L Washer plain	6	
11	WL105001L Washer spring	3	
12	NH105041L Nut	3	
13	MUC2440 Retainer spare wheel	1	
14	MRC4473 Bolt	2	Upto 1991MY
	MRC4473 Bolt	1	1991MY
15	BTR549 Screw	1	1991MY
16	WD112081L Washer plain	2	



Model DEFENDER 110 1987 onwards
 Page AFNXTA2A

BODY - SPARE WHEEL CARRIER - REAR END DOOR



III. Part No.	Description	Qty	Remarks
1	MUC2366	1	Carrier spare wheel
	ALR2377	1	Carrier spare wheel
2	MUC2934	1	Plate clamp
	MXC7228	1	Plate clamp
	ALR2378	1	Plate clamp
3	SE106251L	7	Screw
4	WL106001L	7	Washer spring
5	NH106041L	7	Nut
	SE106251L	11	Screw
	WL106001L	11	Washer spring
	NH106041L	11	Nut
6	MUC2364	1	U bolt
7	NH112041L	4	Nut
8	MUC2368	3	Washer threaded
	MUC4546	3	Nut M16
9	90577473	3	Wheel nut
10	MXC7226	1	Stiffener RH
11	MXC7227	1	Stiffener LH
12	78248	22	Rivet



Model DEFENDER 110 1987 onwards

Page AFNXUA1A

BODY - HOOD - FULL LENGTH

Ill. Part No.

Description

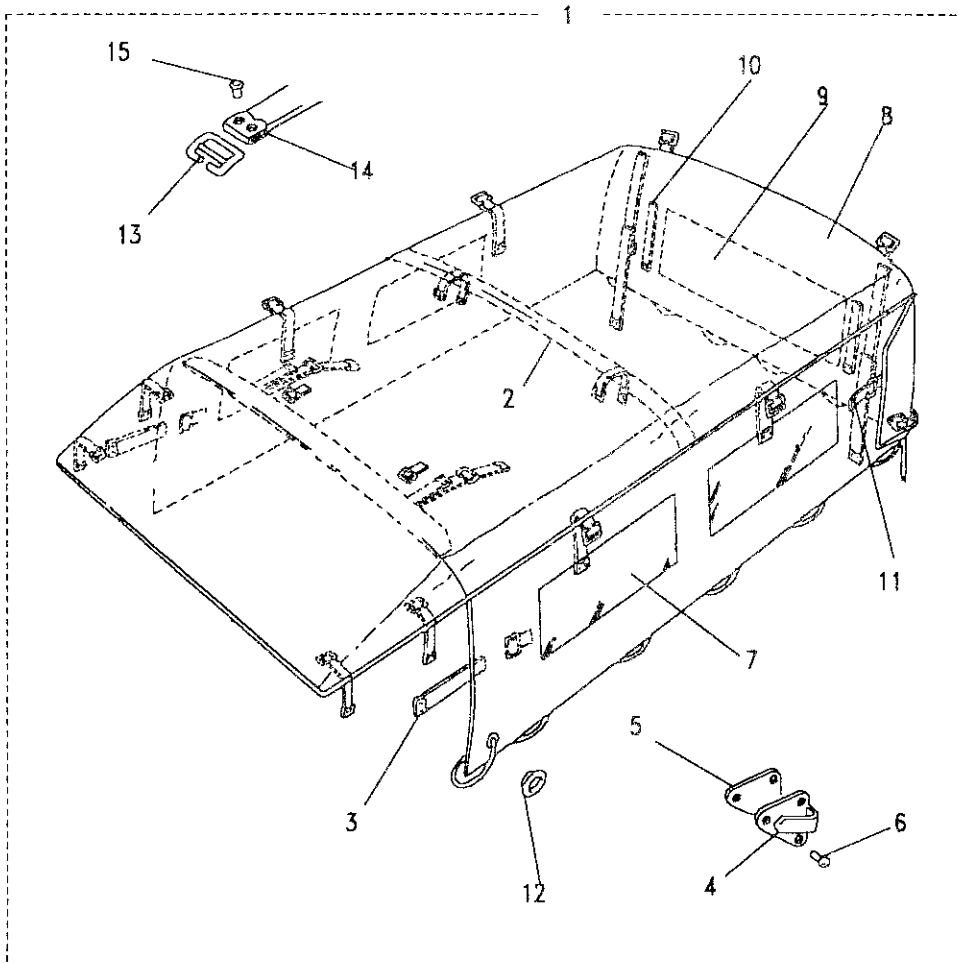
Qty Remarks

With side windows

1	MTC7710AG	Hood	1	Khaki green
	MTC7710AE	Hood	1	Matt sand

With plain sides

1	MTC7711AG	Hood	1	Khaki green
	MTC7711AE	Hood	1	Matt sand
2	331249	Support and Straps	1	NLA
3	90301332	Strap side curtain	2	Khaki green
4	304797	Rope Hook	2	
5	301343	Washer Plate	2	
6	3547	Rivet	6	
7	MTC4314	Sidelight	4	
8	MWC1092AG	Rear Curtain	1	Khaki green
	MTC7193AE	Rear curtain	1	Matt sand
9	MTC4313	Backlight	1	
10	339935	Strap rear curtain	2	Khaki green
				No longer serviced
11	90301332	Strap extension flap	2	Khaki green

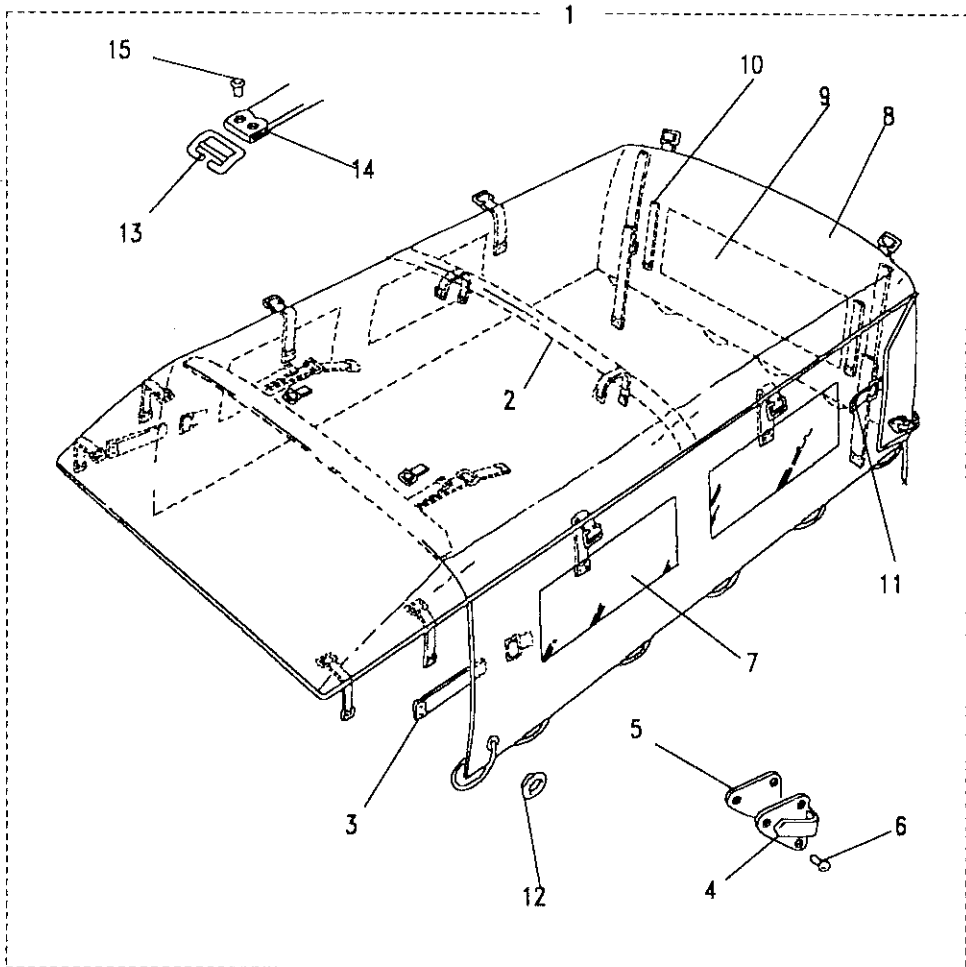




Model DEFENDER 110 1987 onwards
Page AFNXUA1A

BODY - HOOD - FULL LENGTH

III. Part No.	Description	Qty	Remarks
331221	Rope rear curtain	1	
331222	Rope hood top and sides	1	
12 301321	Eyelet	A/R	
301320	Eyelet	A/R	No longer serviced
13 300953	Buckle	A/R	
14 300954	End Cap	A/R	
15 396800	Eyelet	A/R	

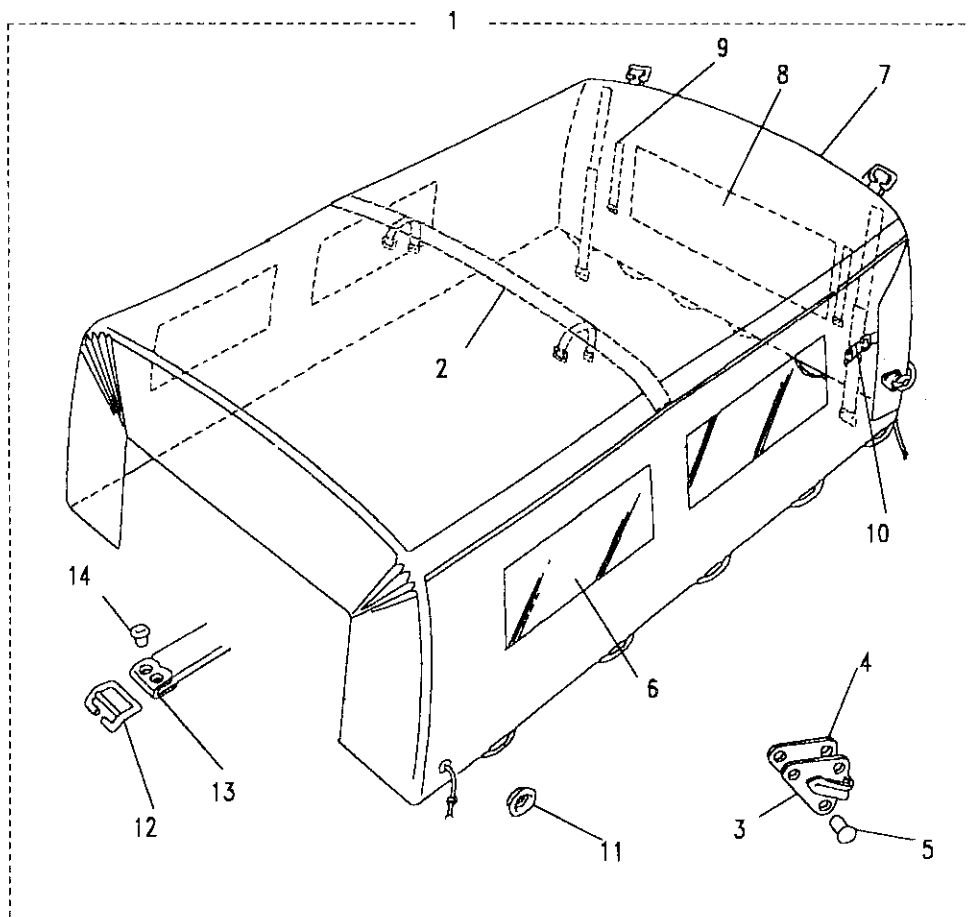




Model DEFENDER 110 1987 onwards

Page AFNXUA2A

BODY - HOOD - THREE QUARTER LENGTH - CAB FIXING



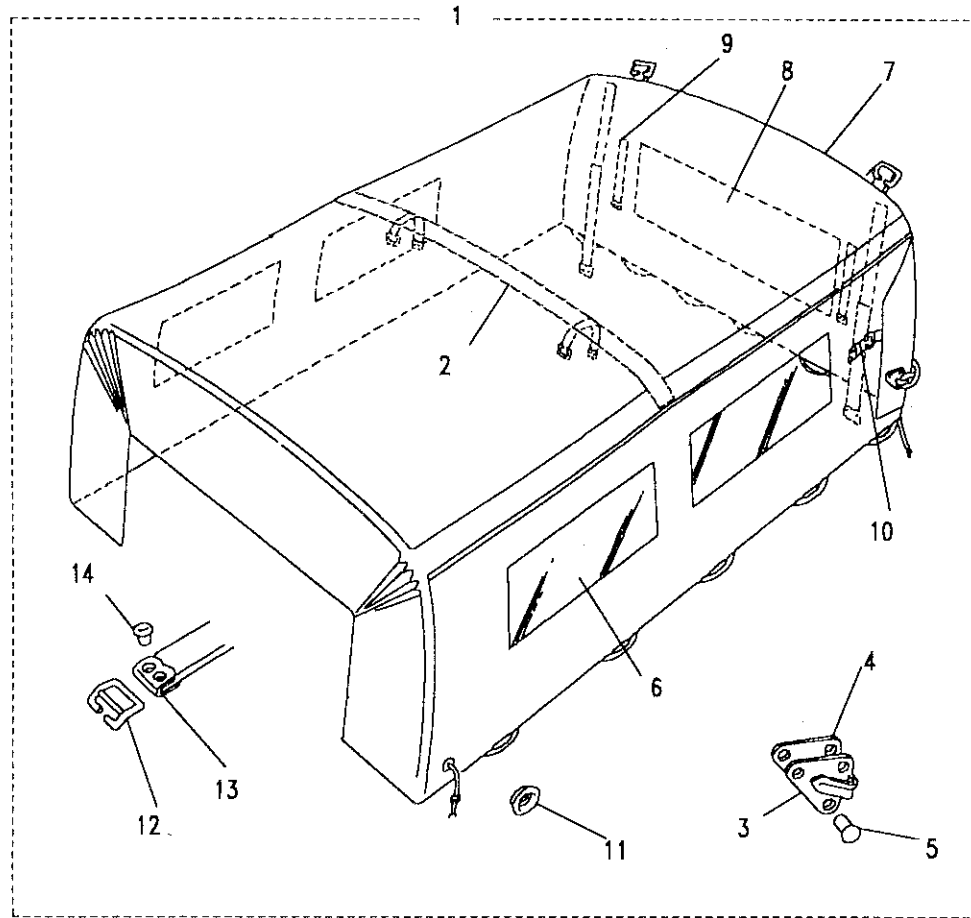
Ill. Part No.	Description	Qty	Remarks
With sides windows - Upto VIN 283701			
1 MTC7200AG	Hood	1	Khaki green
MTC7200AE	Hood	1	Matt sand
With plain sides = Upto VIN 285842			
1 MTC7471AG	Hood	1	Khaki green
MTC7471AE	Hood	1	Matt sand
2 331249	Support and straps	1	Khaki green No Longer serviced
3 304797	Rope hook	2	
4 301343	Washer plate	2	
5 RF608041	Rivet	6	
6 MTC4314	Sidelight	4	
7 MWC1092AG	Rear Curtain	1	Khaki green
MTC7193AE	Rear curtain	1	Matt sand
8 MTC4313	Backlight	1	
9 339935	Strap rear curtain	2	Khaki green No longer serviced
10 90301332	Strap extension flap	2	Khaki green





Model DEFENDER 110 1987 onwards
Page AFNXUA2A

BODY - HOOD - THREE QUARTER LENGTH - CAB FIXING



Ill. Part No.	Description	Qty	Remarks
331221	Rope rear curtain	1	
331222	Rope hood top and sides	1	
11 301321	Eyelet	A/R	
301320	Eyelet	A/R	No longer serviced
12 300953	Buckle	A/R	
13 300954	End Cap	A/R	
14 396800	Eyelet	A/R	



Model DEFENDER 110 1987 onwards
Page AFNXUA3A

BODY - HOOD - THREE QUARTER LENGTH - BULKHEAD FIXING

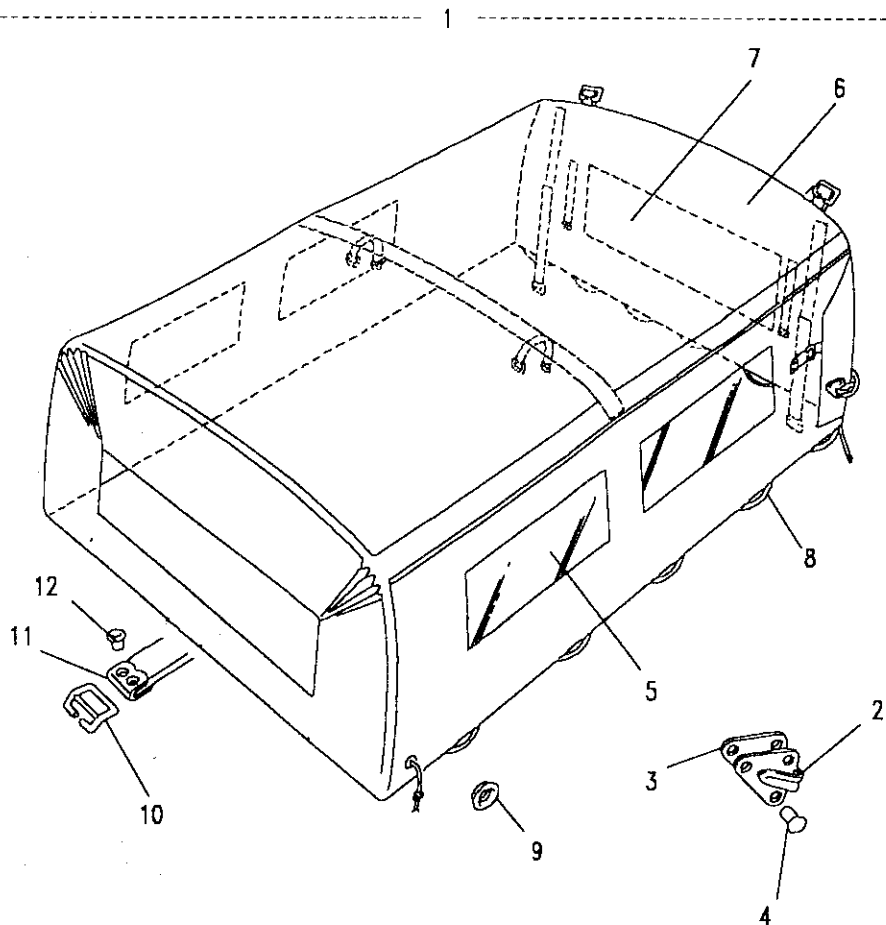
III. Part No. Description Qty Remarks

With side windows - From VIN 283702

1	MUC7916AG	Hood	1	Khaki green
	MUC7916AE	Hood	1	Matt sand

With plain sides - From VIN 285843

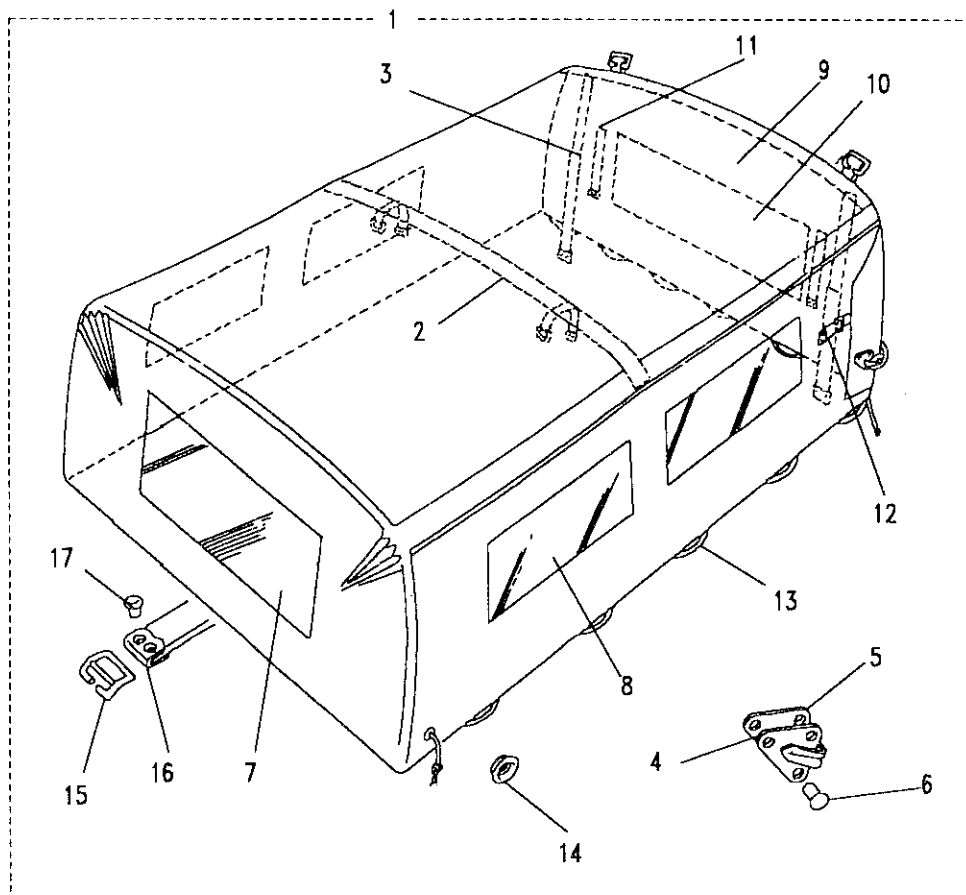
1	MUC7915AG	Hood	1	Khaki green
	MUC7915AE	Hood	1	Matt sand
2	304797	Rope hook	2	
3	301343	Washer plate	2	
4	RF608041	Rivet	6	
5	MTC4314	Sidelight	4	
6	MWC1092AG	Rear curtain	1	Khaki green
	MTC7193AE	Rear curtain	1	Matt sand
7	MTC4313	Backlight	1	
8	331221	Rope rear curtain	1	
	331222	Rope hood top and sides	1	
9	301321	Eyelet	A/R	
	301320	Eyelet	A/R	No longer serviced
10	300953	Buckle	A/R	
11	300954	End Cap	A/R	
12	396800	Eyelet	A/R	





Model DEFENDER 110 1987 onwards
Page AFNXUA4A

BODY - HOOD - HIGH CAPACITY PICK UP



III. Part No.	Description	Qty	Remarks
Defender 110 - With side windows			
1 MTC2575AG	Hood	1	Khaki green
MTC2575AE	Hood	1	Matt sand
Defender 110 - With plain sides			
1 MTC2574AG	Hood	1	Khaki green
MTC2574AE	Hood	1	Matt sand
Defender 130 - With side windows			
1 RRC2963ABE	Hood	1	Matt sand
Defender 130 - With plain sides			
1 RRC2481ABE	Hood	1	Matt sand
2 MTC4063	Support and straps	1	Khaki green No longer serviced
3 MTC4317	Support and straps	1	Khaki green No longer available

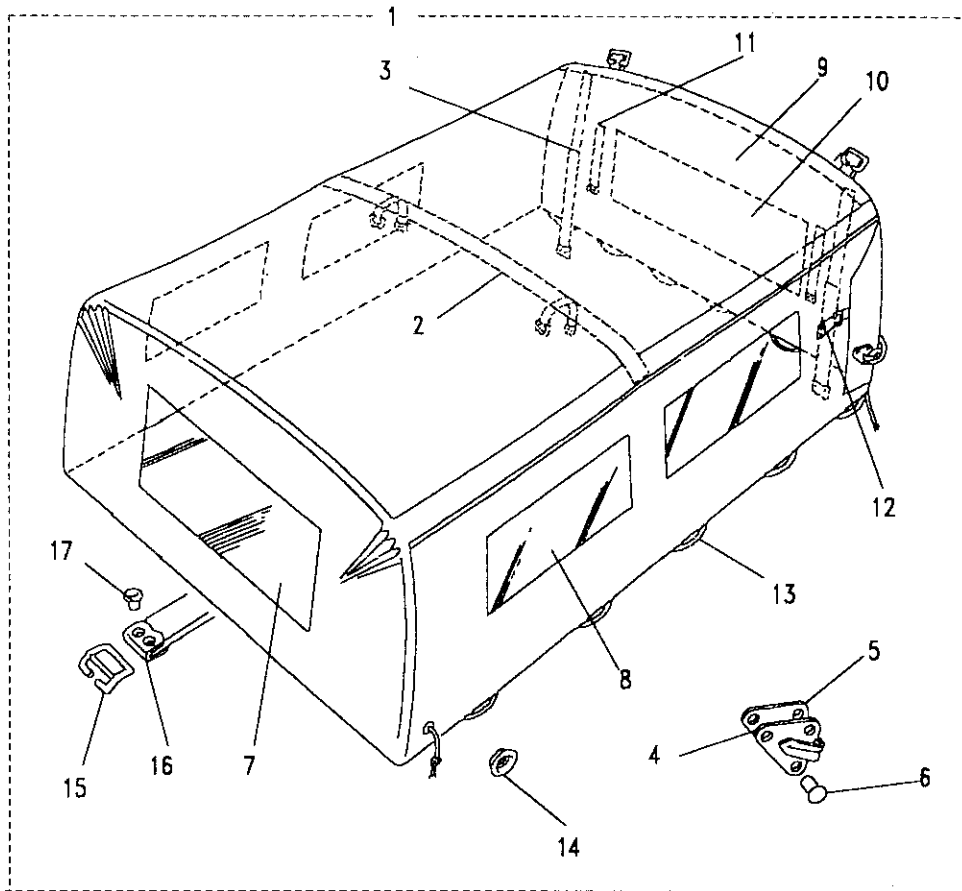


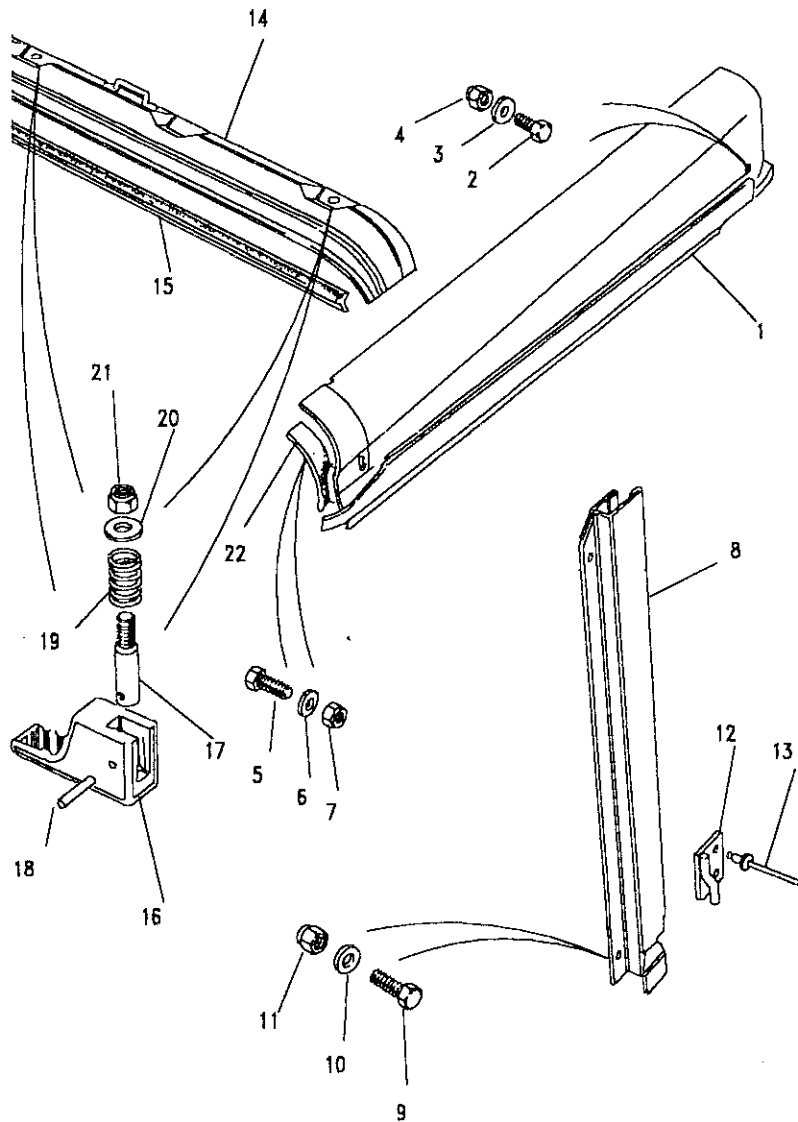
Model DEFENDER 110 1987 onwards
Page AFNXUA4A

BODY - HOOD - HIGH CAPACITY PICK UP

III. Part No.	Description	Qty	Remarks
4	304797 Rope Hook	4	
5	301343 Washer Plate	4	
6	RF608041 Rivet	12	
7	MTC4313 Front light	1	
8	MTC4314 Side light	4	
9	MTC4061AG Rear curtain	1	Khaki green
	MTC4061AE Rear curtain	1	Matt sand
10	MTC4313 Back light	1	
11	339935 Strap rear curtain	2	Khaki green No longer serviced
12	90301332 Strap extension flap	2	Khaki green
13	MTC4315 Rope side curtain	2	
	331221 Rope rear curtain	1	
	MTC4319 Rope hood top and sides	1	
14	301321 Eyelet	A/R	
	301320 Eyelet	A/R	No longer serviced
15	300953 Buckle	A/R	
16	300954 End Cap	A/R	
17	396800 Eyelet	A/R	
	MTC8376 Pad wearing	1	Note(1)

Note(1) Side window protection - Fitted to spare wheel mounting bracket



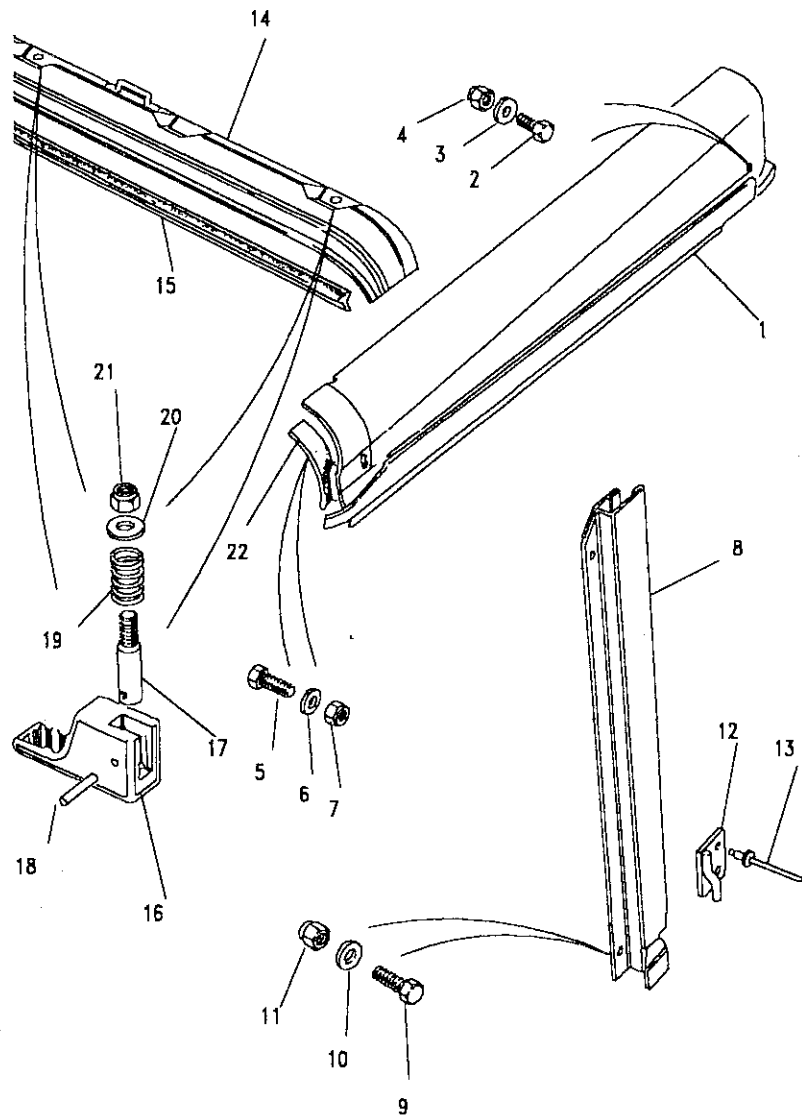


Model DEFENDER 110 1987 onwards
 Page AFNXUC1A

BODY - DRAIN CHANNELS - FULL LENGTH HOOD

III. Part No.	Description	Qty	Remarks
1	RRC3972	1	Channel top drain RH
	RRC3973	1	Channel top drain LH
2	FS106201L	2	Flange screw
3	AFU1080	4	Washer plain
4	NY106041L	2	Nut
5	FS106167L	2	Screw
6	AFU1080	4	Washer plain
7	NY106041L	2	Nut
8	MTC5428	1	Channel side drain RH
	MTC5429	1	Channel side drain LH
9	FS106167L	4	Screw
10	AFU1080	8	Washer plain
11	NY106041L	4	Nut
12	330578	1	Hook RH
	330579	1	Hook LH
13	78248	4	Rivet





Model DEFENDER 110 1987 onwards
Page AFNXUC1A

BODY - DRAIN CHANNELS - FULL LENGTH HOOD

Ill. Part No.	Description	Qty	Remarks
14	MTC9773 Header rail	1	
15	MTC7252 Seal	1	
16	MTC4581 Handle	4	
17	MTC4583 Spindle	4	
18	PA106201 Pin spring	4	
19	MTC4584 Spring	4	
20	WC106041L Washer plain	4	
21	NY106041L Nut	4	
22	MTC7431 Seal corner	2	
	AFU4162 Hook	6	Top drain channel
Top drain channel to hoodstick			
	MUC4538 Seal	2	
Hood to header rail			
	MUC4061ACG Strap	2	Khaki green
	MUC4061ABE Strap	2	Matt sand



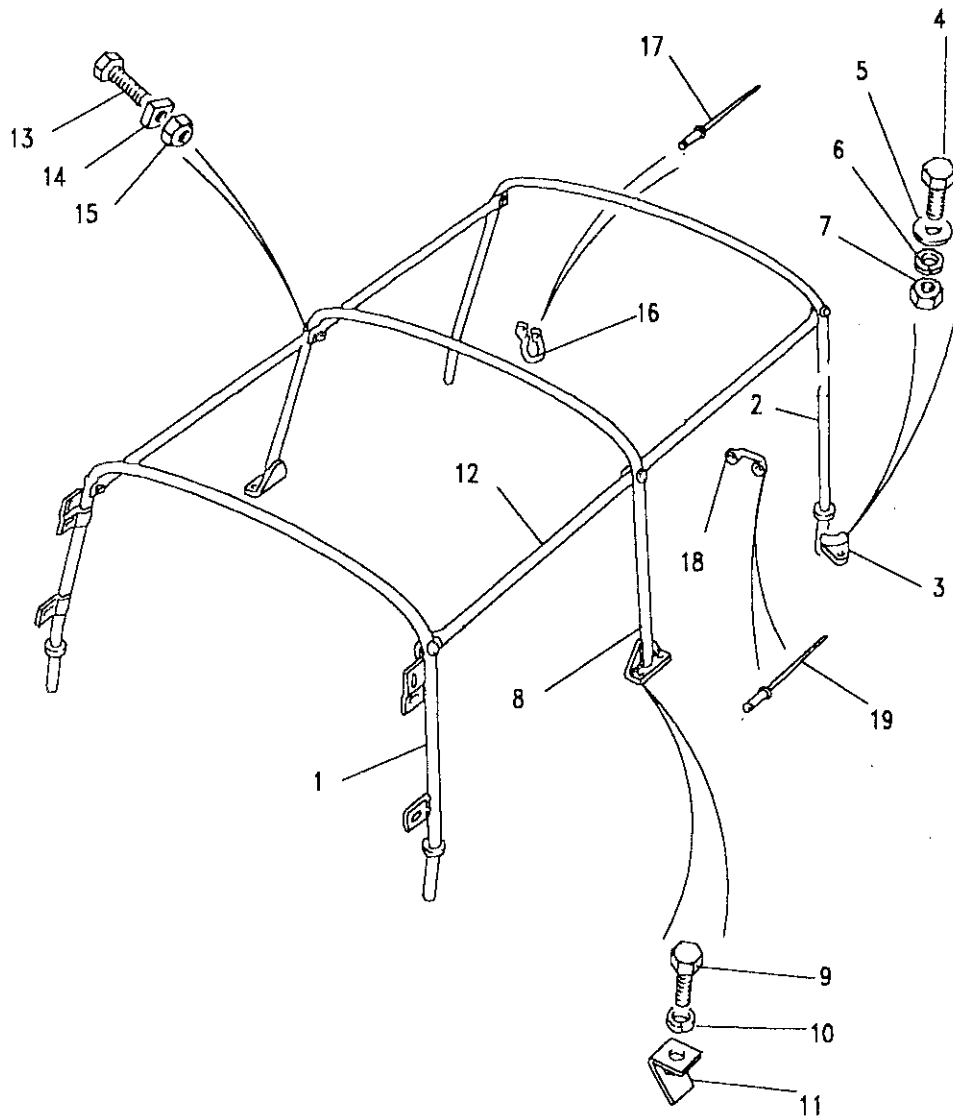


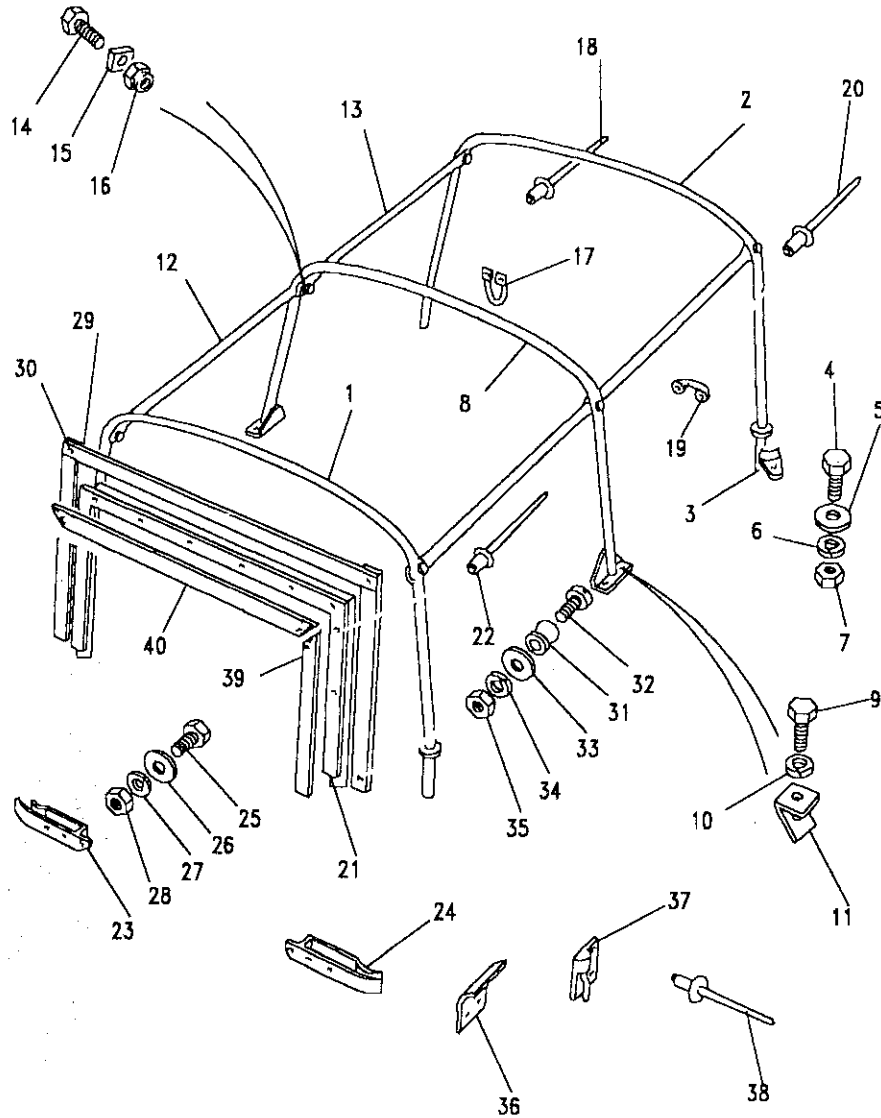
Model DEFENDER 110 1987 onwards
Page AFNXUC2A

BODY - HOODSTICKS - FULL LENGTH HOOD

III. Part No. Description Qty Remarks

Part No.	Description	Qty	Remarks
1	MUC4524 Hoodstick front	1	
2	330553 Hoodstick rear	1	
3	304301 Clamp	4	
4	FS108251L Bolt	4	
5	WA108051L Washer plain	4	
6	WL108001L Washer spring	4	
7	FN108041L Nut	4	
8	330699 Hoodstick intermediate	1	
9	SR106201 Screw	4	
10	MRC5527 Washer plain	4	
11	WL106001L Washer spring	4	
12	MRC9603 Nut plate	4	
13	330896 Tie tube	4	
14	SA106401 Screw	2	Centre
15	SA106351 Screw	4	Front and rear
16	NS106011 Nut square	6	
17	NY106041L Nut	6	
18	345699 Rope hook	2	
19	RR612103 Rivet	4	
20	395143 Staple	2	
21	RA612373L Rivet	4	

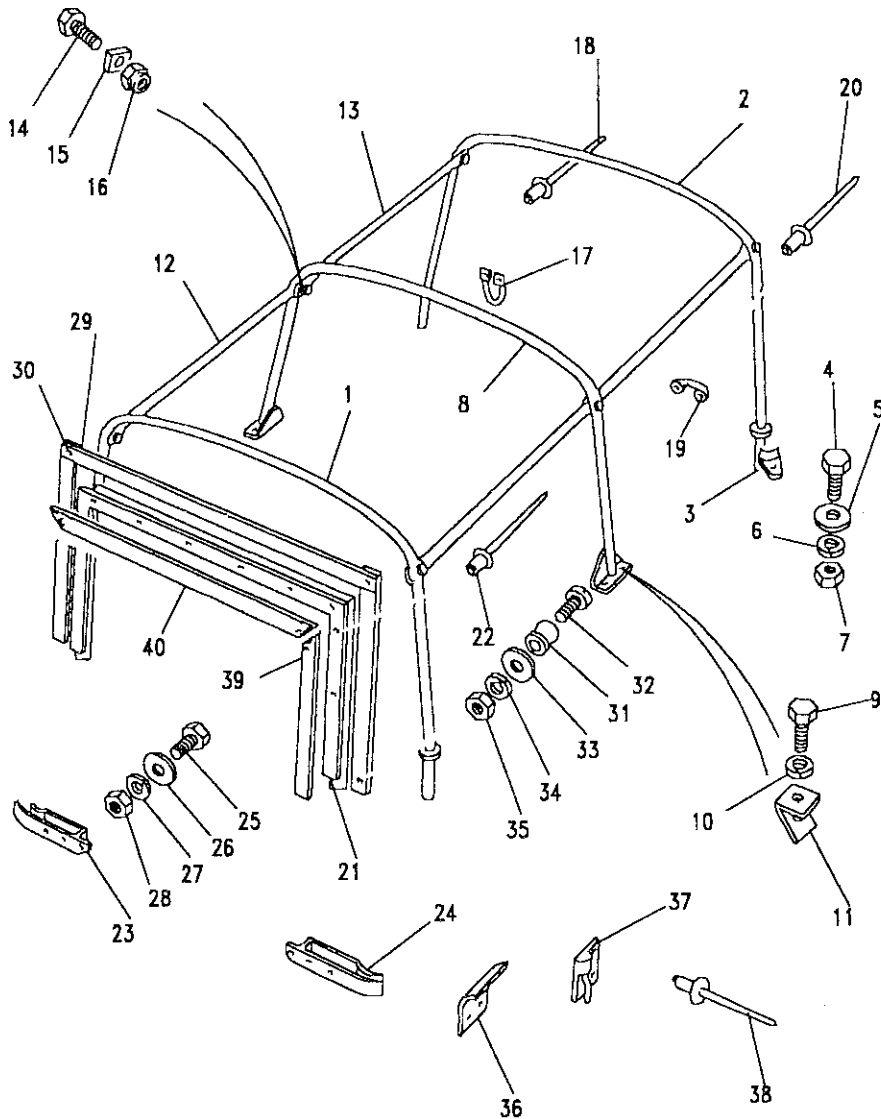




Model DEFENDER 110 1987 onwards
Page AFNXUC3A

BODY - HOODSTICKS - 3/4 HOOD - CAB FIXING

Ill. Part No.	Description	Qty	Remarks
1	330553 Hoodstick front	1	
2	330553 Hoodstick rear	1	
3	304301 Clamp	4	
4	FS108251L Bolt	4	
5	WA108051L Washer plain	4	
6	WL108001L Washer spring	4	
7	FN108041L Nut	4	
8	330699 Hoodstick intermediate	1	
9	SR106201 Screw	4	
10	WL106001L Washer spring	4	
11	MRC9603 Nut plate	4	
12	330897 Tie tube front	2	
13	330896 Tie tube rear	2	
14	SA106401 Screw	2	Centre
	SA106351 Screw	4	Front and rear
15	NS106011 Nut square	6	
16	NY106041L Nut	6	
17	345699 Rope hook rear	2	
18	RR612103 Rivet	4	
19	395143 Staple	2	
20	RA612373L Rivet	4	
21	MTC7384 Frame hood	1	
22	RU612183 Rivet	12	



Model DEFENDER 110 1987 onwards
 Page AFNXUC3A

BODY - HOODSTICKS - 3/4 HOOD - CAB FIXING

Ill. Part No.	Description	Qty	Remarks
23	331673	1	Channel drain RH
24	331674	1	Channel drain LH
25	SE106201L	4	Screw
26	AFU1080	4	Washer plain
27	WL106001L	4	Washer spring
28	NH106041L	4	Nut
29	331675	1	Strip retaining
30	331676	2	Strip retaining
31	348430	2	Stud
32	SE105351L	2	Screw
33	WA105001L	2	Washer plain
34	WL105001L	2	Washer spring
35	NM105011	2	Nut
36	334245	1	Hook RH
	334246	1	Hook LH
37	330578	1	Hook RH front
	330579	1	Hook LH front
38	78248	4	Rivet
39	MTC8145	2	Seal side
40	MTC8146	1	Seal front door



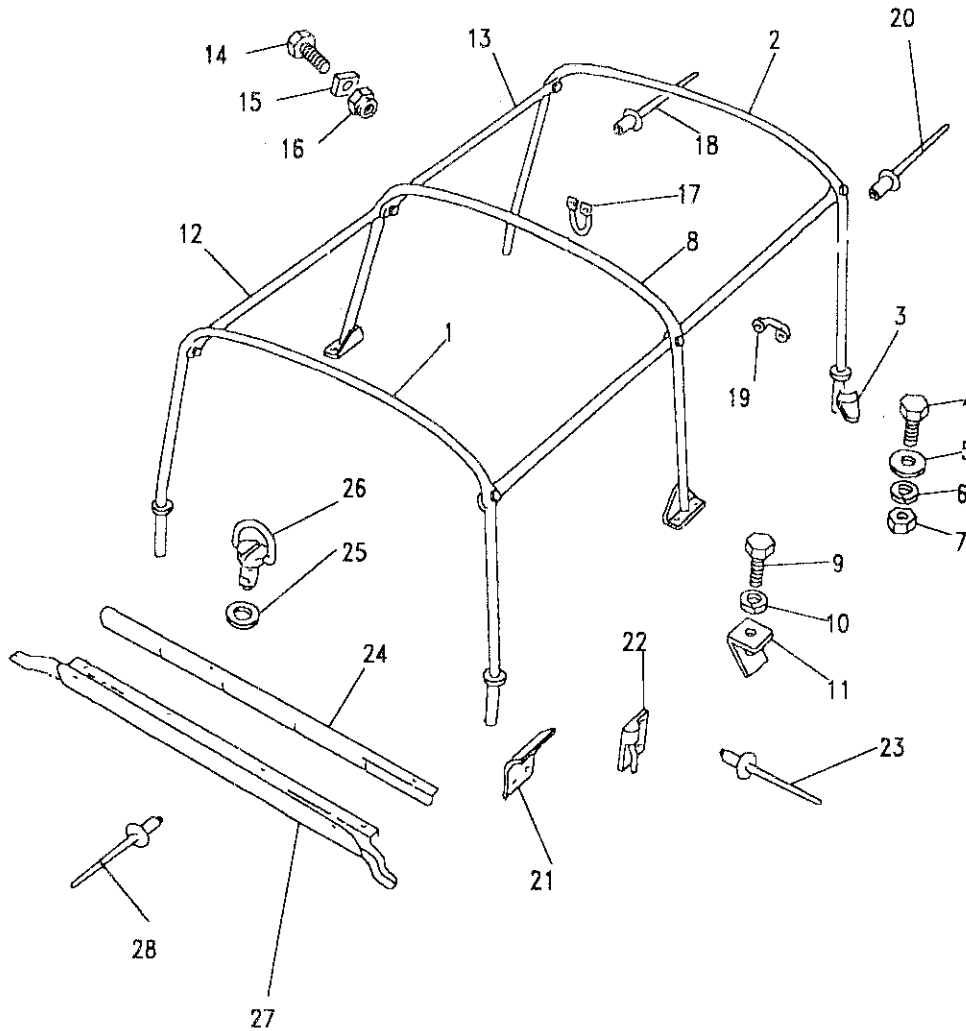
DEFENDER 110 1987 onwards

905

BODY AND CHASSIS

Model DEFENDER 110 1987 onwards
Page AFNXUC4A

BODY - HOODSTICKS - 3/4 HOOD - BULKHEAD FIXING



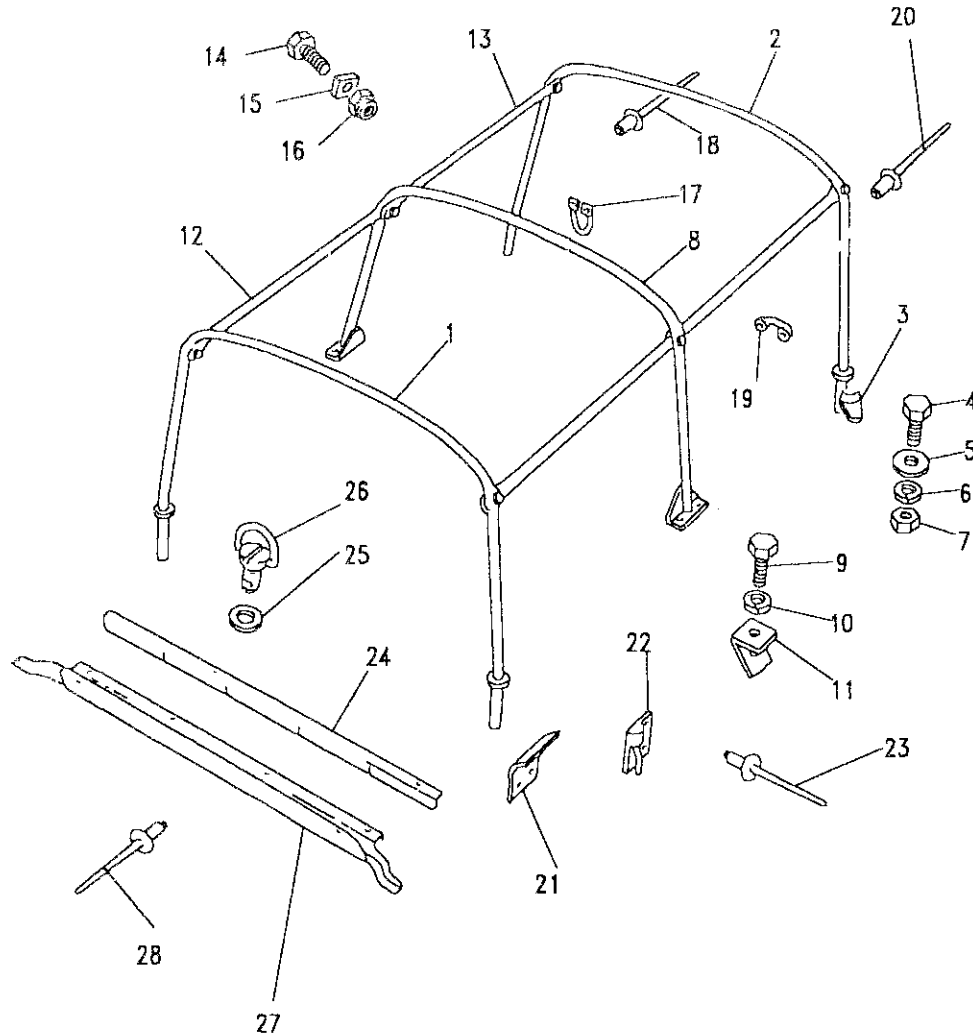
Ill. Part No.	Description	Qty	Remarks
1	330553 Hoodstick front	1	
2	330553 Hoodstick rear	1	
3	304301 Clamp	4	
4	FS108251L Bolt	4	
5	WA108051L Washer plain	4	
6	WL108001L Washer spring	4	
7	FN108041L Nut	4	
8	330699 Hoodstick intermediate	1	
9	SR106201 Screw	4	
10	WL106001L Washer spring	4	
11	MRC9603 Nut plate	4	
12	330897 Tie tube front	2	
13	330896 Tie tube rear	2	
14	SA106401 Screw	2	Centre
15	SA106351 Screw	4	Front and rear
16	NS106011 Nut square	6	
17	NY106041L Nut	6	
18	345699 Rope hook rear	2	
19	RR612103 Rivet	4	
20	395143 Staple	2	
	RA612373L Rivet	4	





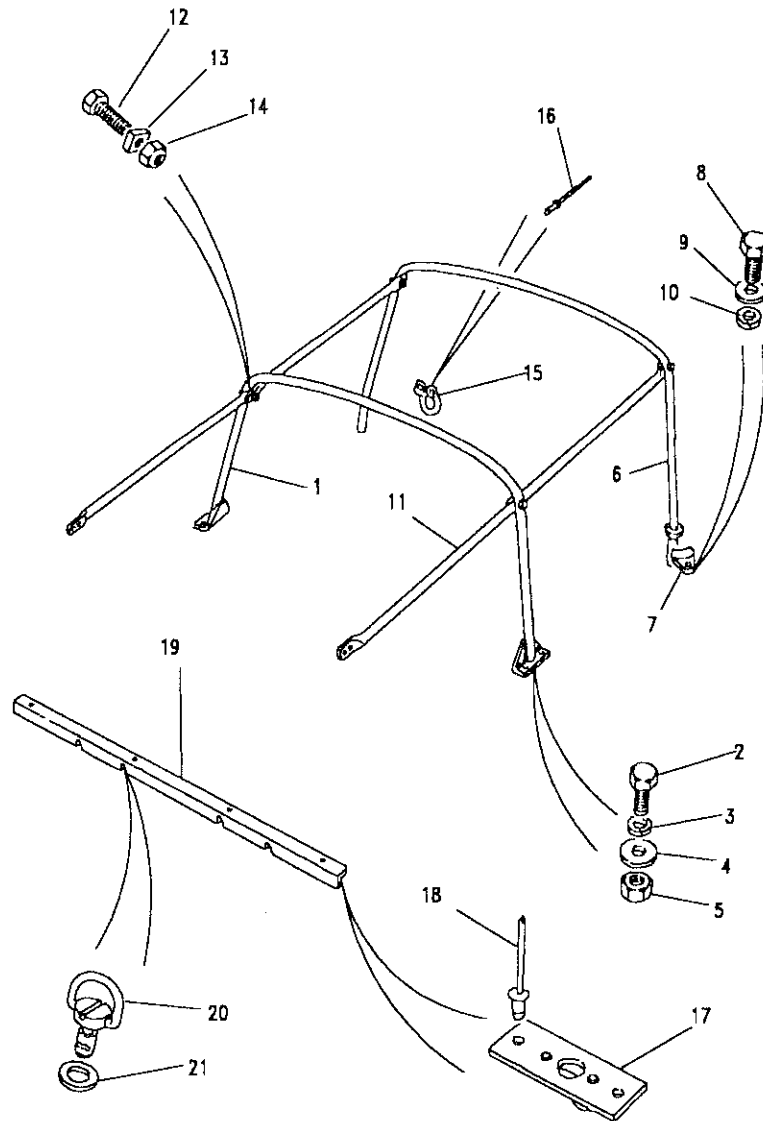
Model DEFENDER 110 1987 onwards
Page AFNXUC4A

BODY - HOODSTICKS - 3/4 HOOD - BULKHEAD FIXING



Ill. Part No.	Description	Qty	Remarks
21	334245 Hook RH	1	
	334246 Hook LH	1	
22	330578 Hook RH front	1	
	330579 Hook LH front	1	
23	78248 Rivet	4	
24	MTC4054 Angle retaining	1	
25	AAU2367 Retainer	4	
26	AFU2503 Stud ring head	4	
27	MUC7923 Channel drain	1	
28	RU612373L Rivet	7	
	AFU2504 Spring plate	4	
	RA610183 Rivet	8	





Model DEFENDER 110 1987 onwards

Page AFNXUC5A

BODY - HOODSTICKS - HIGH CAPACITY PICK UP

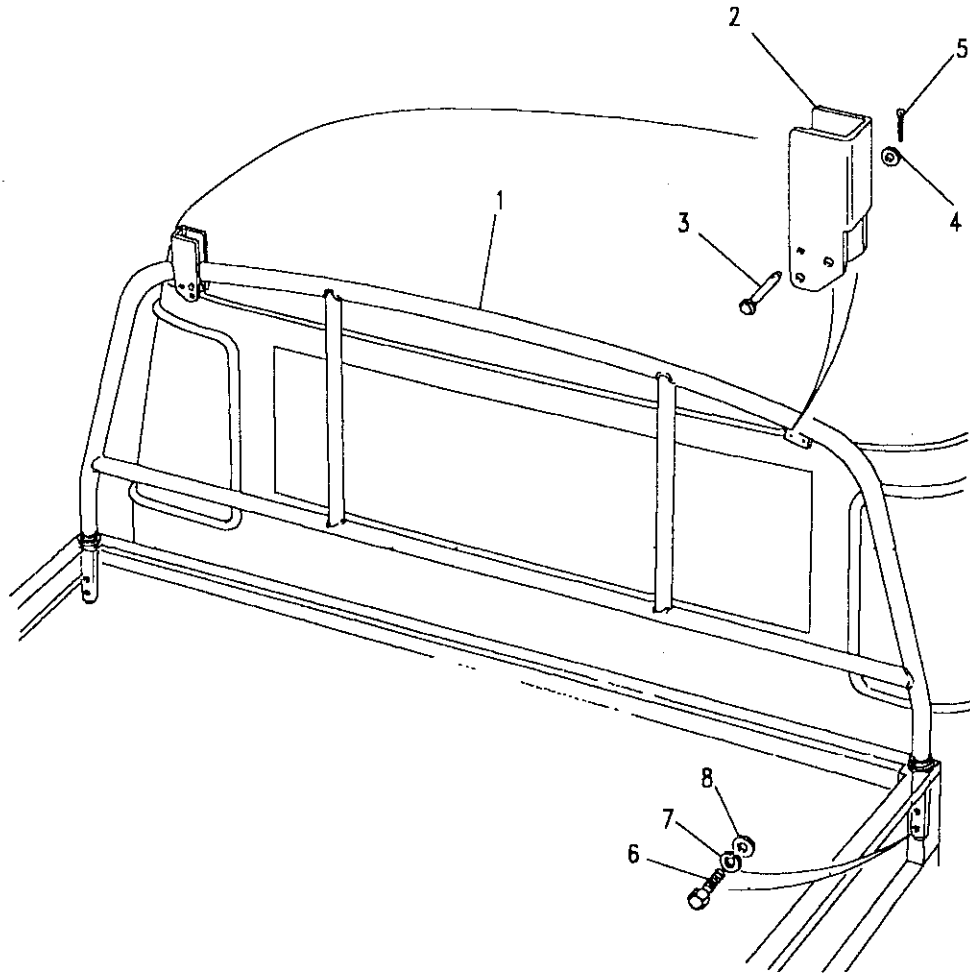
III. Part No.	Description	Qty	Remarks
1	MTC4943 Hoodstick intermediate	1	
2	SH106201 Screw	4	
3	WL106001L Washer spring	4	
4	WA106041L Washer plain	4	
5	NH106041L Nut	4	
6	MTC4944 Hoodstick rear	1	
7	304301 Clamp	2	
8	FS108207L Screw	2	
9	WA108051L Washer plain	2	
10	WL108001L Washer spring	2	
11	MTC4945 Tie tube	4	
12	SA106451 Screw	6	
13	NS106011 Nut square	6	
14	NY106041L Nut	6	
15	345699 Rope hook	2	
16	RU612373L Rivet	4	
17	AFU2504 Spring plate	4	
18	RJ610243 Rivet	8	
19	MTC4054 Angle retaining	1	
20	AFU2503 Stud ring head	4	
21	AAU2367 Retainer	4	
Defender 130			
330897...	Tie bar front	2	Upto 20-8-89
RRC4422	Tie bar rear	2	Upto 20-8-89
RRC6365	Tie bar	4	From 21-8-89





Model DEFENDER 110 1987 onwards
Page AFNXUC6A

BODY - LADDER RACK - HIGH CAPACITY PICK UP

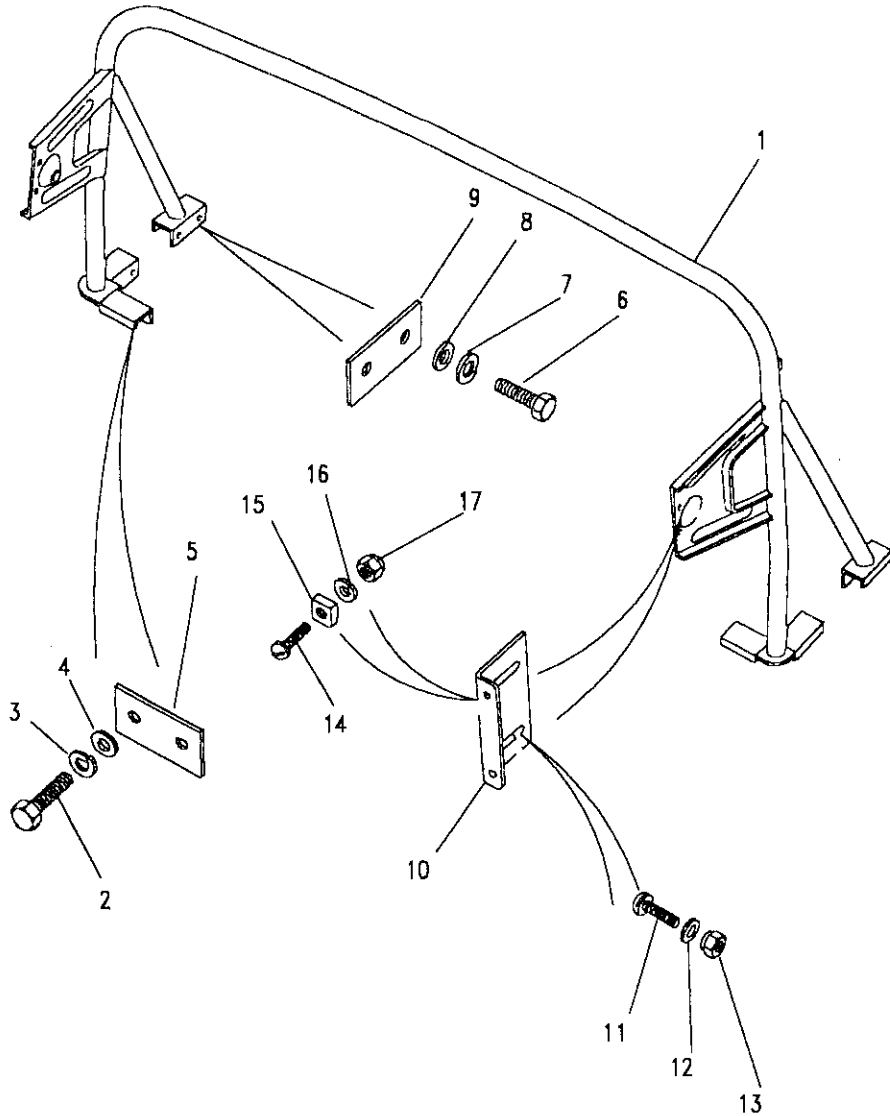


III. Part No.	Description	Qty	Remarks
1 MUC1086	Ladder rack	1	
2 MTC4942	Stop	2	
3 PC106641	Pin clevis	2	
4 WA106041L	Washer plain	2	
5 PS103121L	Pin split	2	
6 SH108301L	Screw	2	
7 WL108001L	Washer spring	2	
8 WA108051L	Washer plain	2	



Model DEFENDER 110 1987 onwards
Page AFNXUC7A

BODY - ROLL OVER BAR - HIGH CAPACITY PICK UP



III. Part No.	Description	Qty	Remarks
1	RRC3264 Bar roll over	1	
2	BH110301L Bolt	8	
3	WL110001L Washer spring	8	
4	WA110061L Washer plain	8	
5	MTC5519 Nut plate	4	
6	BH110251 Bolt	4	
7	WL110001L Washer spring	4	
8	WA110061L Washer plain	4	
9	MTC5519 Nut plate	2	
10	RRC3584 Plate sliding	2	
11	SA106161 Screw	4	
12	WA106041L Washer plain	8	
13	NY106041L Nut	4	
14	SD106401L Screw	4	
15	NS106011 Nut square	4	
16	WA106041L Washer plain	4	
17	NY106041L Nut	4	