

ROVER AUSTRALIA PARTS BOOK FOR AUSTRALIAN ARMY LAND ROVER 6x6 VEHICLES COMBINED PARTS LIST

Copyright of this document is retained by Land Rover Australia. The document dated 1996 contains the parts utilised on the vehicles at that point in time. Some parts may have been superseded or changed since that time.

This document has been download from the Registry of Ex Military Land Rovers at <http://www.remlr.com> . All files available from this site are free of charge.

If you have paid for this document please report where you purchased it from to the Registry of Ex Military Land Rovers Inc.



3

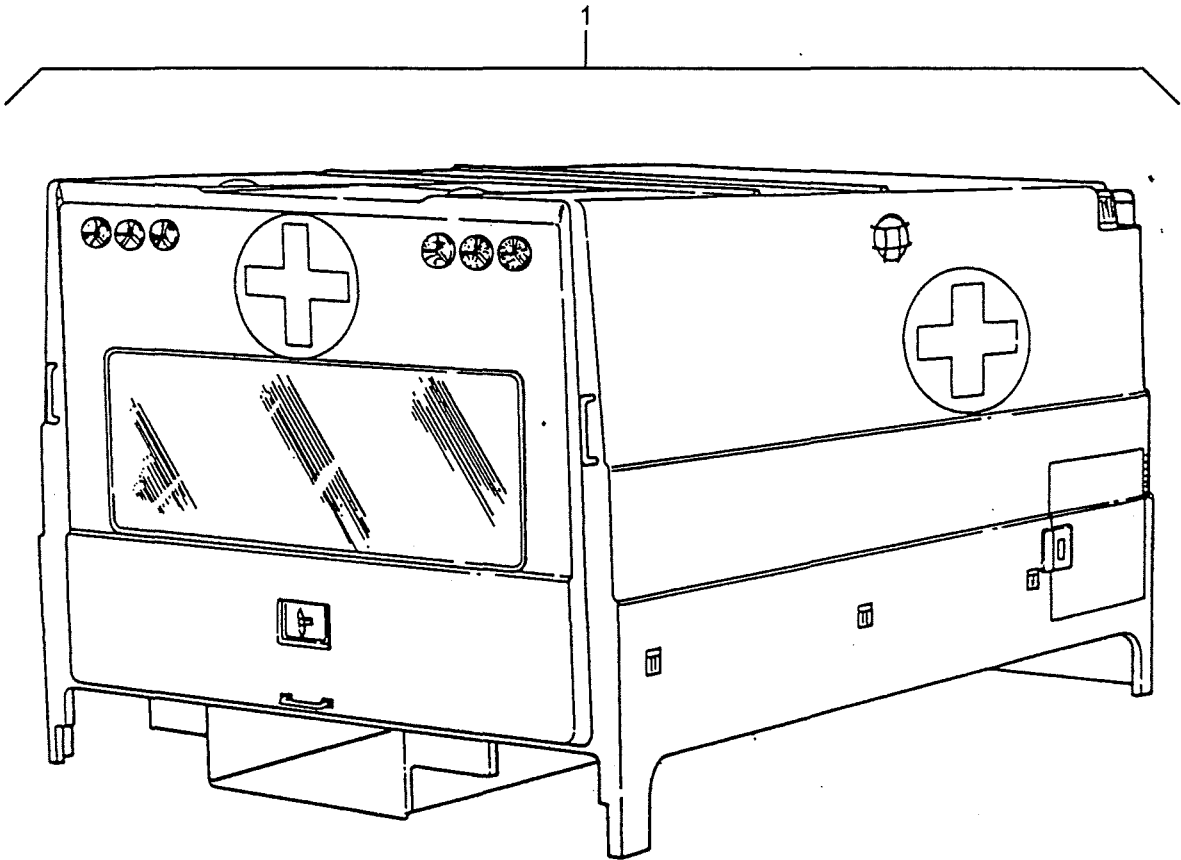
0

3

3



GROUP W/1



**MODULE ASSEMBLY – COMPLETE
– AMBULANCE**

PERENTIE LAND ROVER PARTS LIST

W /1/1

MODULE ASSEMBLY - COMPLETE - AMBULANCE

DERIVATIVE CODE

ITEM PART NO.

DESCRIPTION

NSN

2185 2186 2208 2209 2210 2211 2212 2219 CP

1 HYL9610

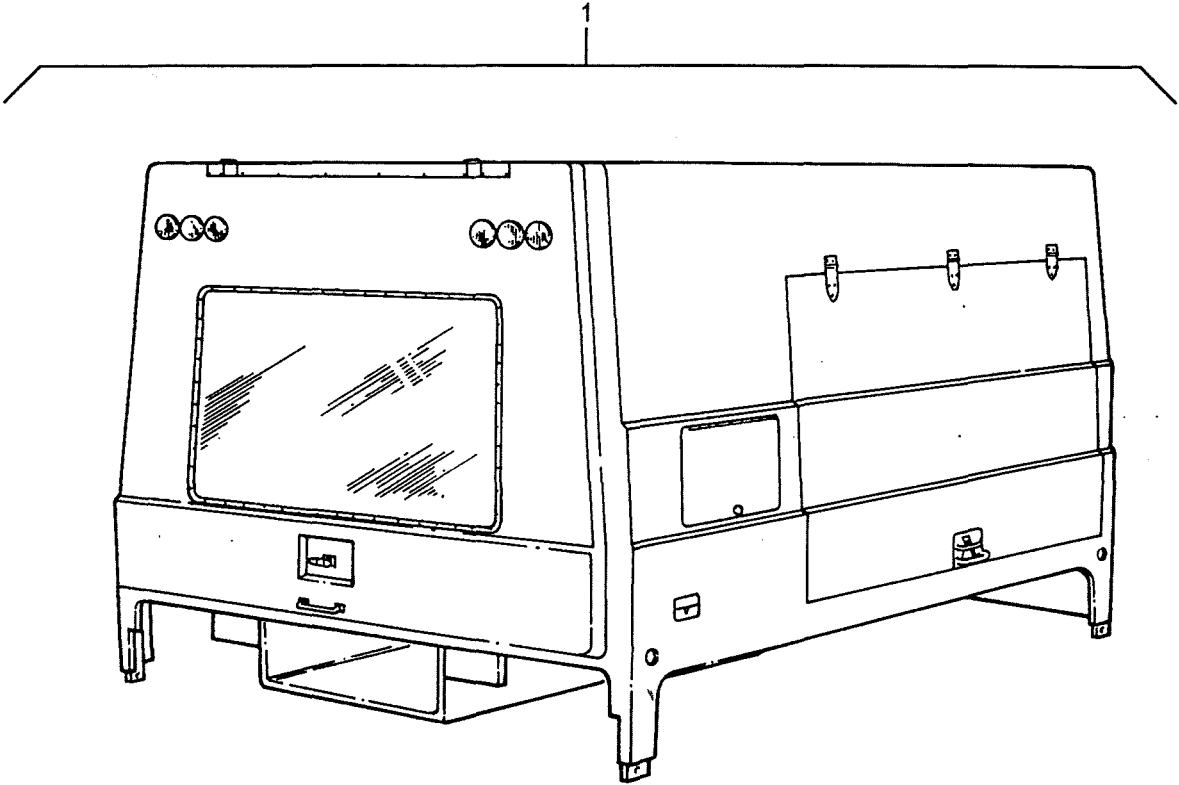
MODULE ASSY-COMLETE

1

CHANGE POINT

ARN INTRODUCTION

GROUP W/2



**MODULE ASSEMBLY – COMPLETE
– GENERAL MAINTENANCE VEHICLE**

PERENTIE LAND ROVER PARTS LIST

W /2/1

MODULE ASSEMBLY - COMPLETE - GENERAL MAINTENANCE VEHICLE
DERIVATIVE CODE

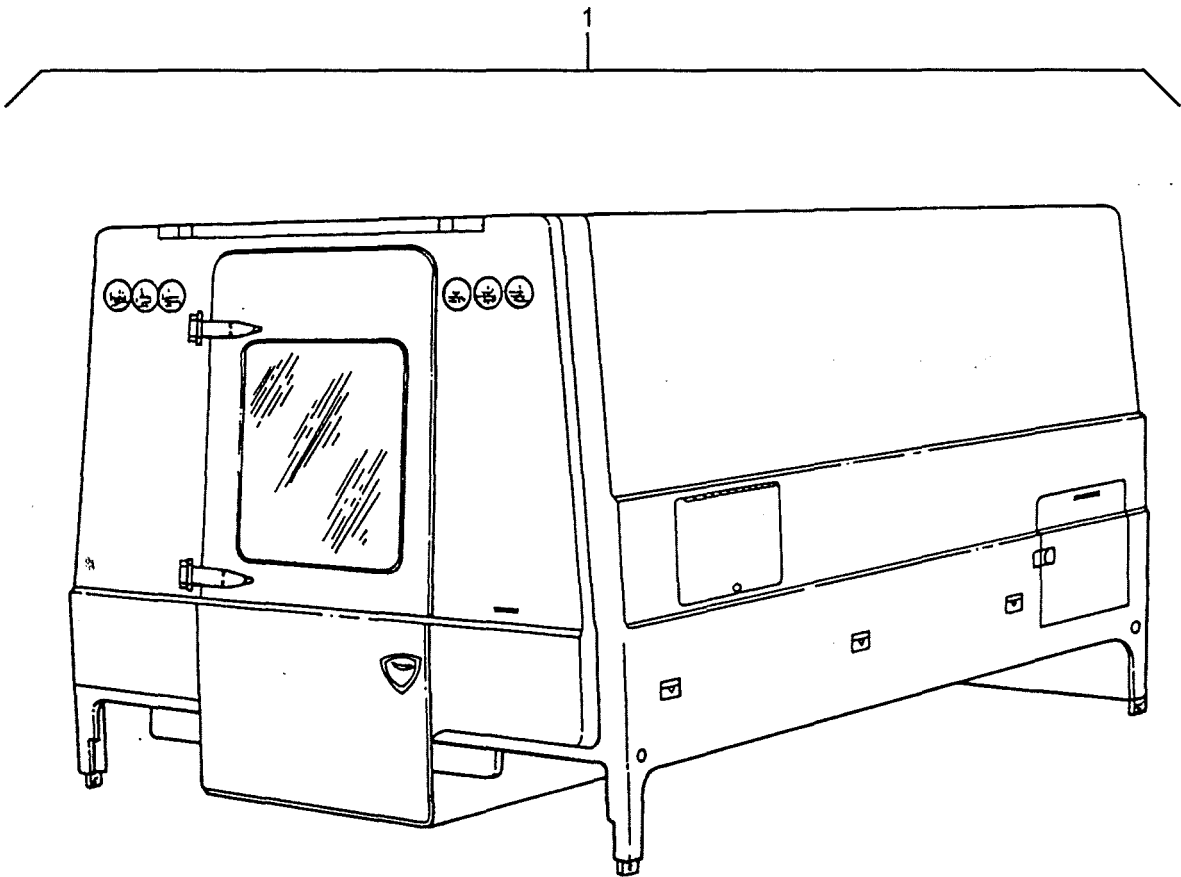
ITEM PART NO. DESCRIPTION NSN 2185 2186 2208 2209 2210 2211 2212 2219 CP

1 HYM300 MODULE ASSY-COMPLETE 1

CHANGE POINT

ARN INTRODUCTION

GROUP W/3



**MODULE ASSEMBLY – COMPLETE
– ELECTRONIC REPAIR VEHICLE**

PERENTIE LAND ROVER PARTS LIST

W /3/1

MODULE ASSEMBLY - COMPLETE - ELECTRONIC REPAIR VEHICLE

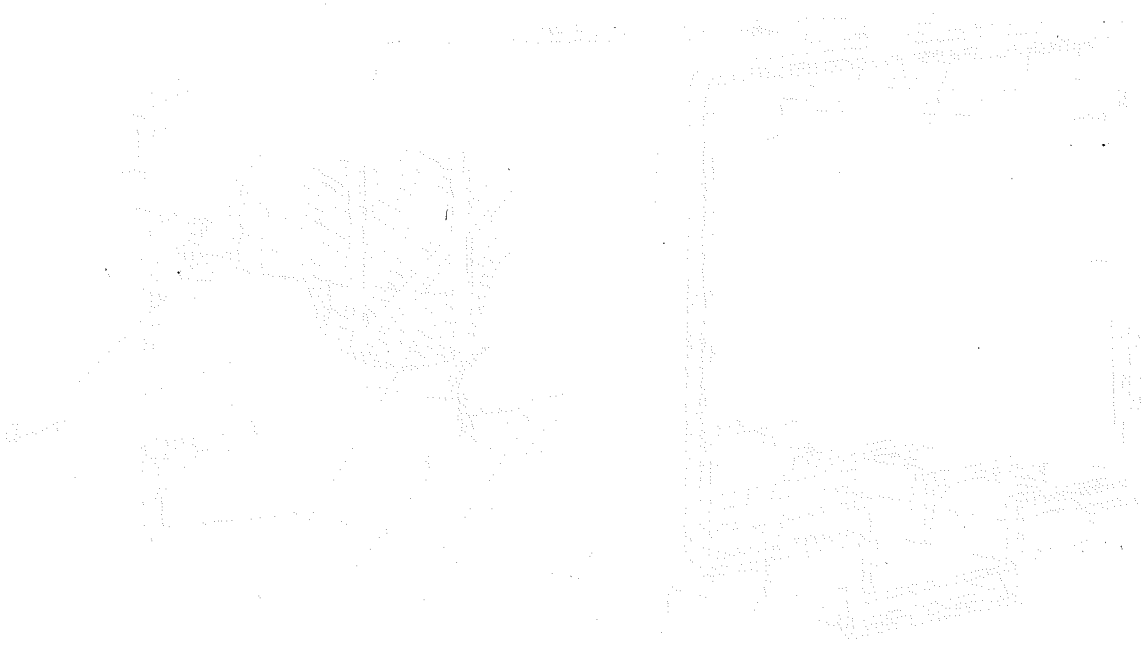
DERIVATIVE CODE

ITEM PART NO. DESCRIPTION NSN 2185 2186 2208 2209 2210 2211 2212 2219 CP

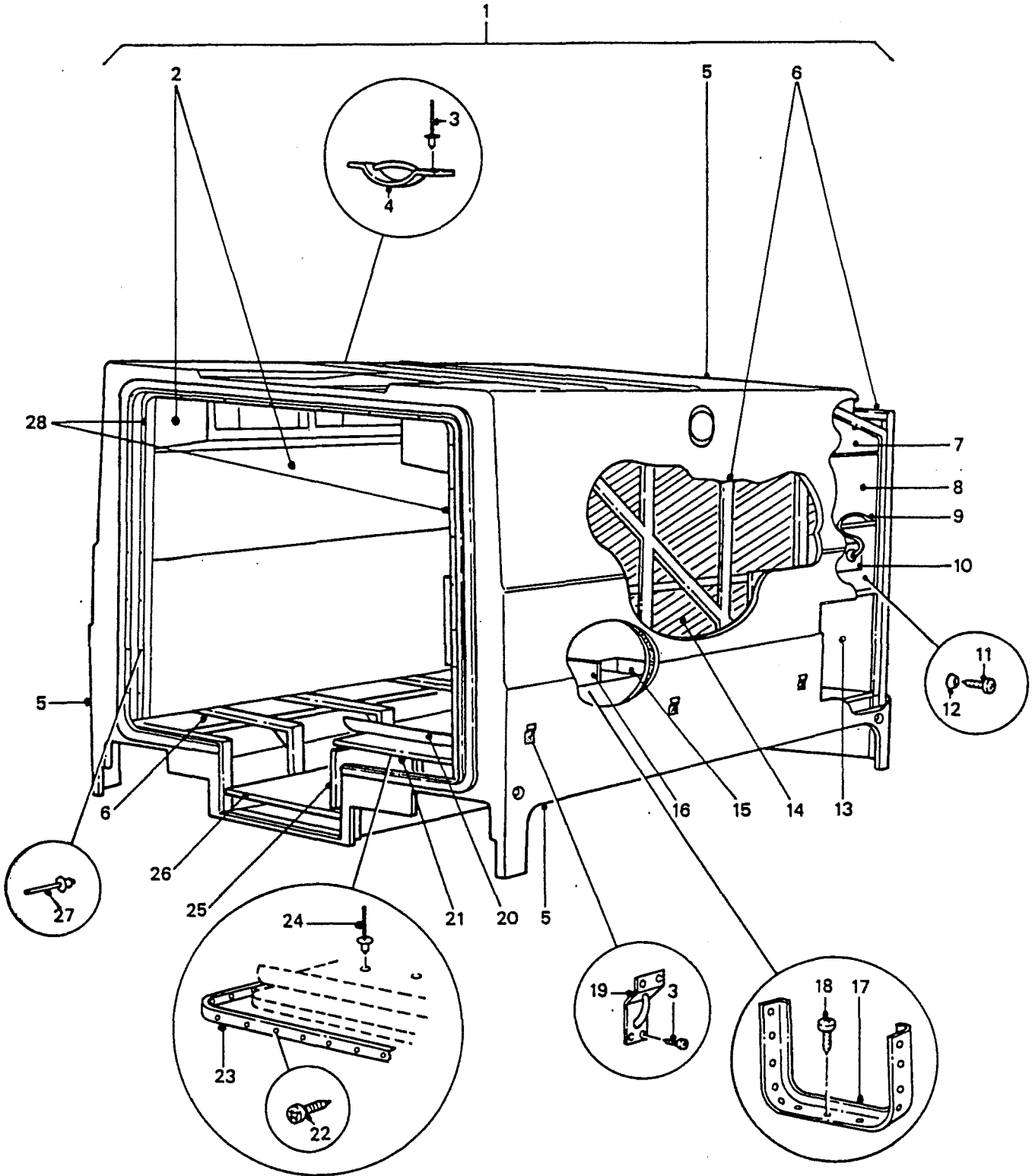
1 HYM279 MODULE ASSY-COMplete 1

CHANGE POINT

ARN INTRODUCTION



GROUP WA/1 SHEET 1



MODULE SHELL AND FRAME ASSEMBLY - AMBULANCE

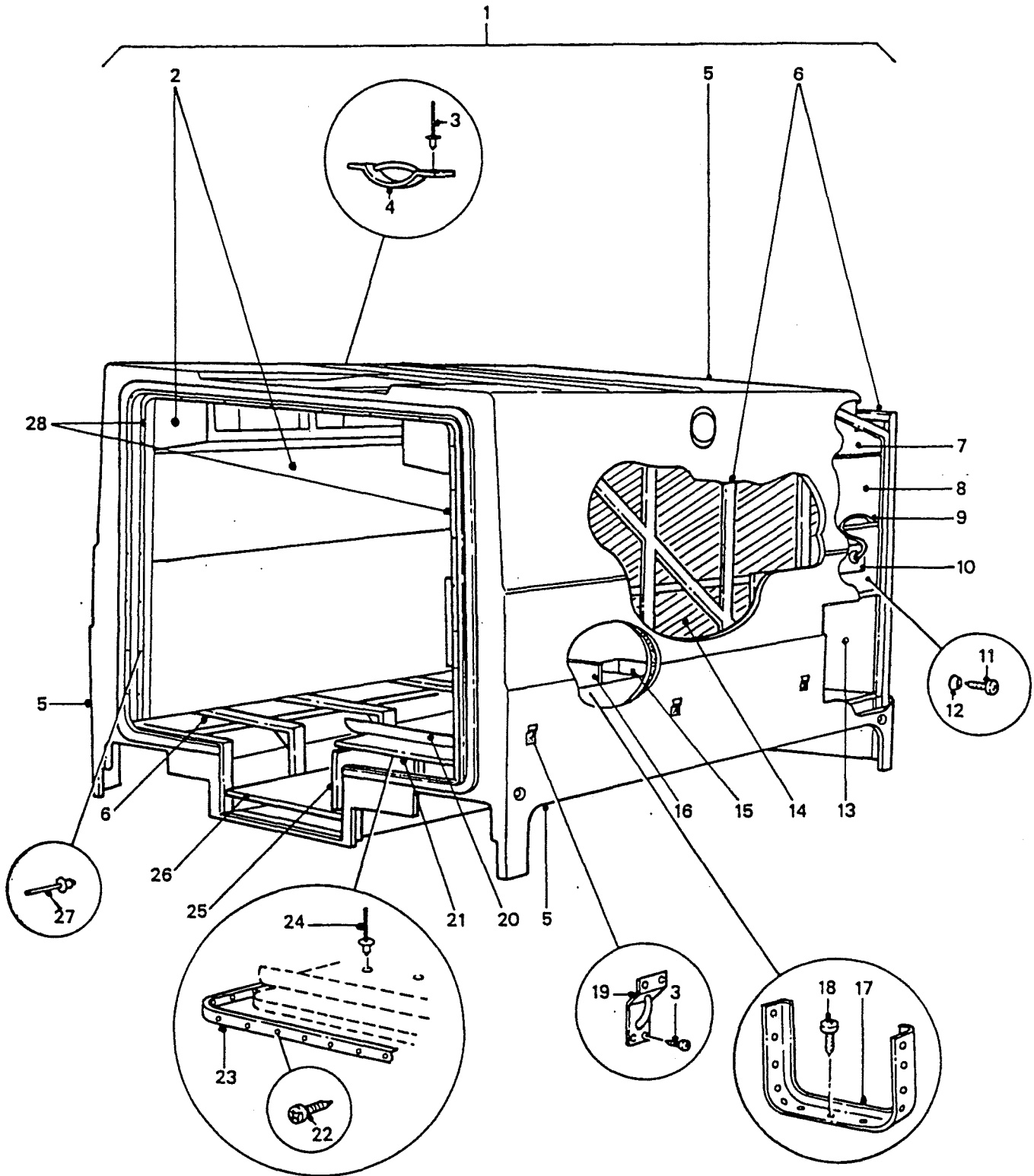
PERENTIE LAND ROVER PARTS LIST

WA /1/1 MODULE SHELL AND FRAME ASSEMBLY - AMBULANCE

DERIVATIVE CODE

<u>ITEM</u>	<u>PART NO.</u>	<u>DESCRIPTION</u>	<u>NSN</u>	<u>2185</u>	<u>2186</u>	<u>2208</u>	<u>2209</u>	<u>2210</u>	<u>2211</u>	<u>2212</u>	<u>2219</u>	<u>CP</u>
1	HYL9429	SHELL/FRAME ASSY								1		
2	NSS											
3	HYL9171	POP RIVET								32		
4	HYL9607	HOOK-TIE DOWN	2540-66-128-5896							4		
5	NSS											
6	NSS											
7	NSS											
8	NSS											
9	NSS											
10	NSS											
11	AC606071	SCREW								28		
12	HYL9335	WASHER-CUP								28		
13	NSS											
14	NSS											
15	NSS											
16	HYL9430	PANEL SEAT-VERTICAL								1		
	HYL9431	TRIM-STORAGE SEAT								1		
	AB606051L	SCREW-STORAGE SEAT TRIM	5305-66-016-0723							4		
17	HYL9432	PLATE-RETENTION								1		
18	C108251	SCREW								13		
19	HYL9433	HOOK-TIE DOWN	2540-66-128-5897							6		
20	NSS											
21	HYL9434	PANEL-PLYWOOD-RH								1		
	HYL9435	PANEL-PLYWOOD-LH								1		
22	AB606051L	SCREW	5305-66-016-0723							60		
23	NSS											
24	NSS											
25	HYL9437	PANEL-PLYWOOD-LH								1		

GROUP WA/1 SHEET 1



MODULE SHELL AND FRAME ASSEMBLY - AMBULANCE

PERENTIE LAND ROVER PARTS LIST

WA /1/1

MODULE SHELL AND FRAME ASSEMBLY - AMBULANCE

DERIVATIVE CODE

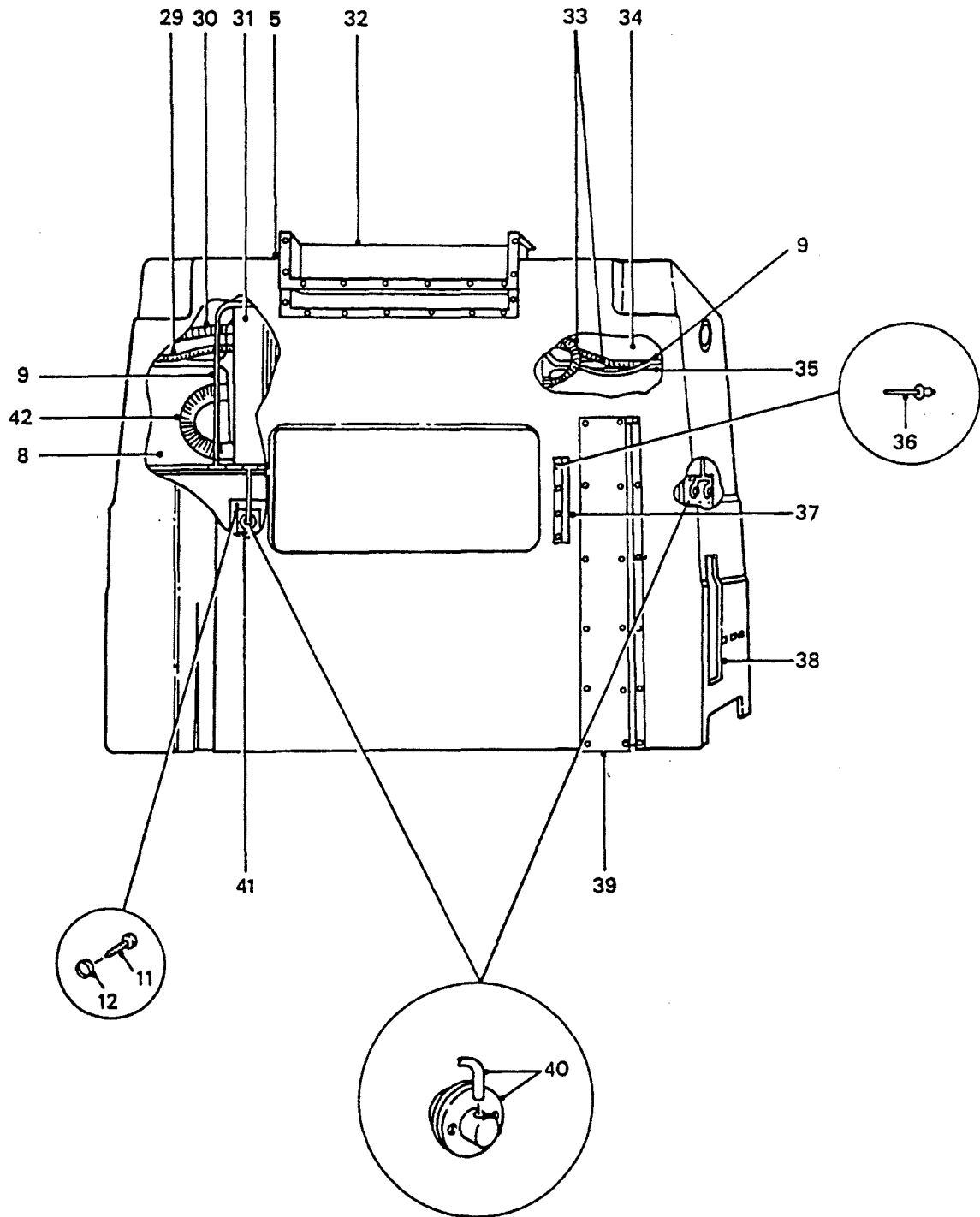
<u>ITEM</u>	<u>PART NO.</u>	<u>DESCRIPTION</u>	<u>NSN</u>	<u>2185</u>	<u>2186</u>	<u>2208</u>	<u>2209</u>	<u>2210</u>	<u>2211</u>	<u>2212</u>	<u>2219</u>	<u>CP</u>
25	HYL9436	PANEL-PLYWOOD-RH										1
26	HYL9438	PANEL-PLYWOOD										1
27	RU608123L	POP RIVET	5320-66-128-4634									90
28	HYL9439	MOULDING-REAR DOOR OPENING										2

CHANGE POINT

ARN INTRODUCTION

Nov 1995

GROUP WA/1 SHEET 2



MODULE SHELL AND FRAME ASSEMBLY - AMBULANCE - CONTINUED

PERENTIE LAND ROVER PARTS LIST

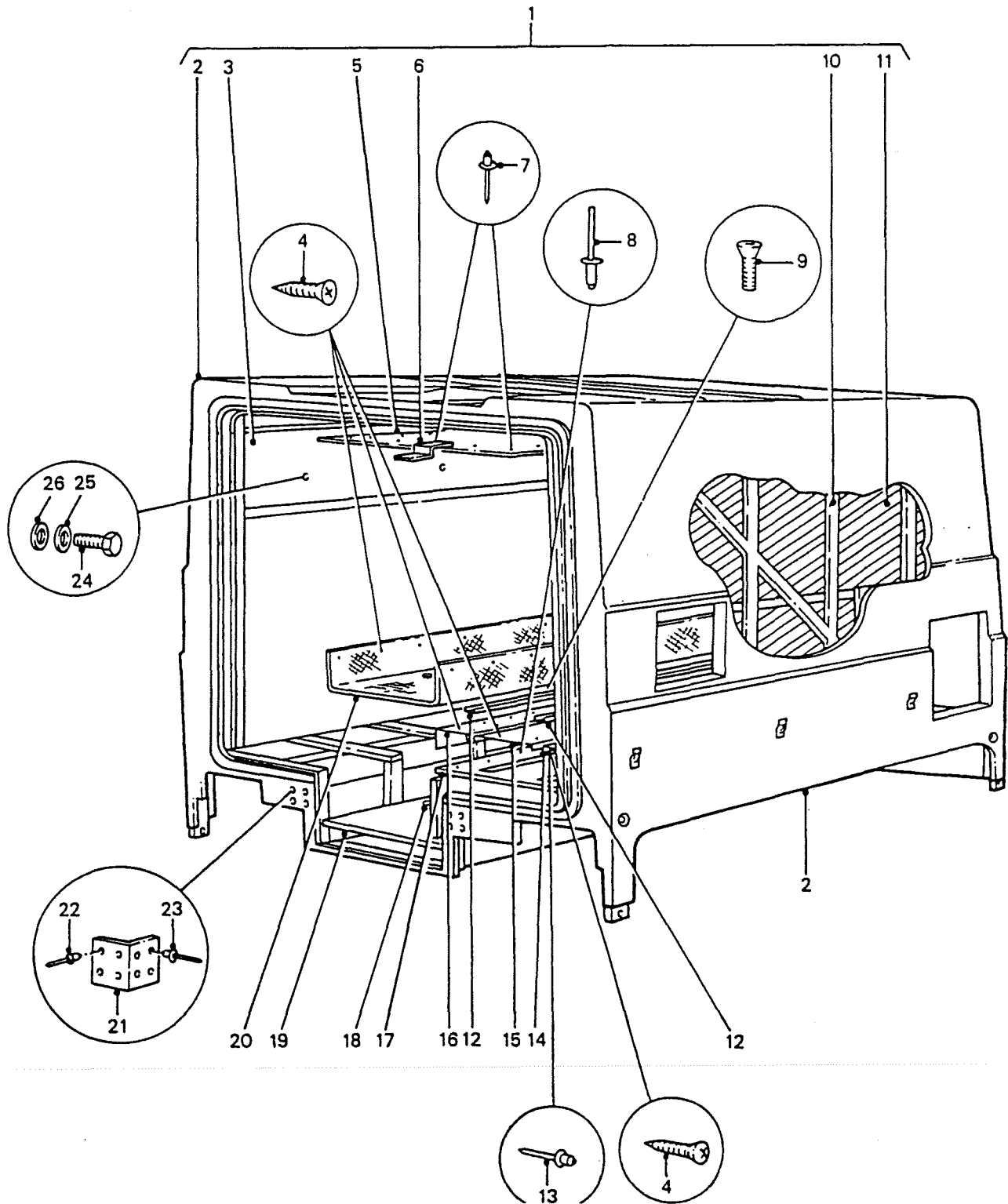
WA /1/2 **MODULE SHELL AND FRAME ASSEMBLY - AMBULANCE - CONTINUED**
DERIVATIVE CODE

<u>ITEM</u>	<u>PART NO.</u>	<u>DESCRIPTION</u>	<u>NSN</u>	<u>2185</u>	<u>2186</u>	<u>2208</u>	<u>2209</u>	<u>2210</u>	<u>2211</u>	<u>2212</u>	<u>2219</u>	<u>CP</u>
29	NSS											
30	NSS											
31	NSS											
	HYL9440	CASING-FUSE BOX RELAY MOUNTING & FRONT SWITCH CHANNEL						1				
	HYL9441	PANEL-FACIA -FUSE BOX & FRONT SWITCH PANEL						1				
	AB106181	SCREW-FUSE BOX AND PANEL FACIA TO MODULE						7				
32	HYL9447	PANEL MOUNTING-AIR COND. UNIT						1				
33	NSS											
34	NSS											
35	NSS											
36	HYL9113	POP RIVET						40				
37	HYL9442	PLATE-GUIDE						8				
38	NSS											
39	HYL9443	PANEL-ACCESS-FRONT-LH						1				
	HYL9444	PANEL-AIR VENT-FRONT-RH						1				
	HYL9445	GRILLE-AIR VENT-CENTRE						1				
	HYL9446	FILTER-AIR VENT						1				
	AB606031L	SCREW-PANELS TO MODULE	5305-99-901-9736					4				
40	HYL9192	OUTLET-OXYGEN						5				
41	NSS											
42	NSS											

CHANGE POINT

ARN INTRODUCTION

GROUP WA/2



**MODULE SHELL, FRAME AND FLOOR ASSEMBLY
- GMV & ERV**

PERENTIE LAND ROVER PARTS LIST

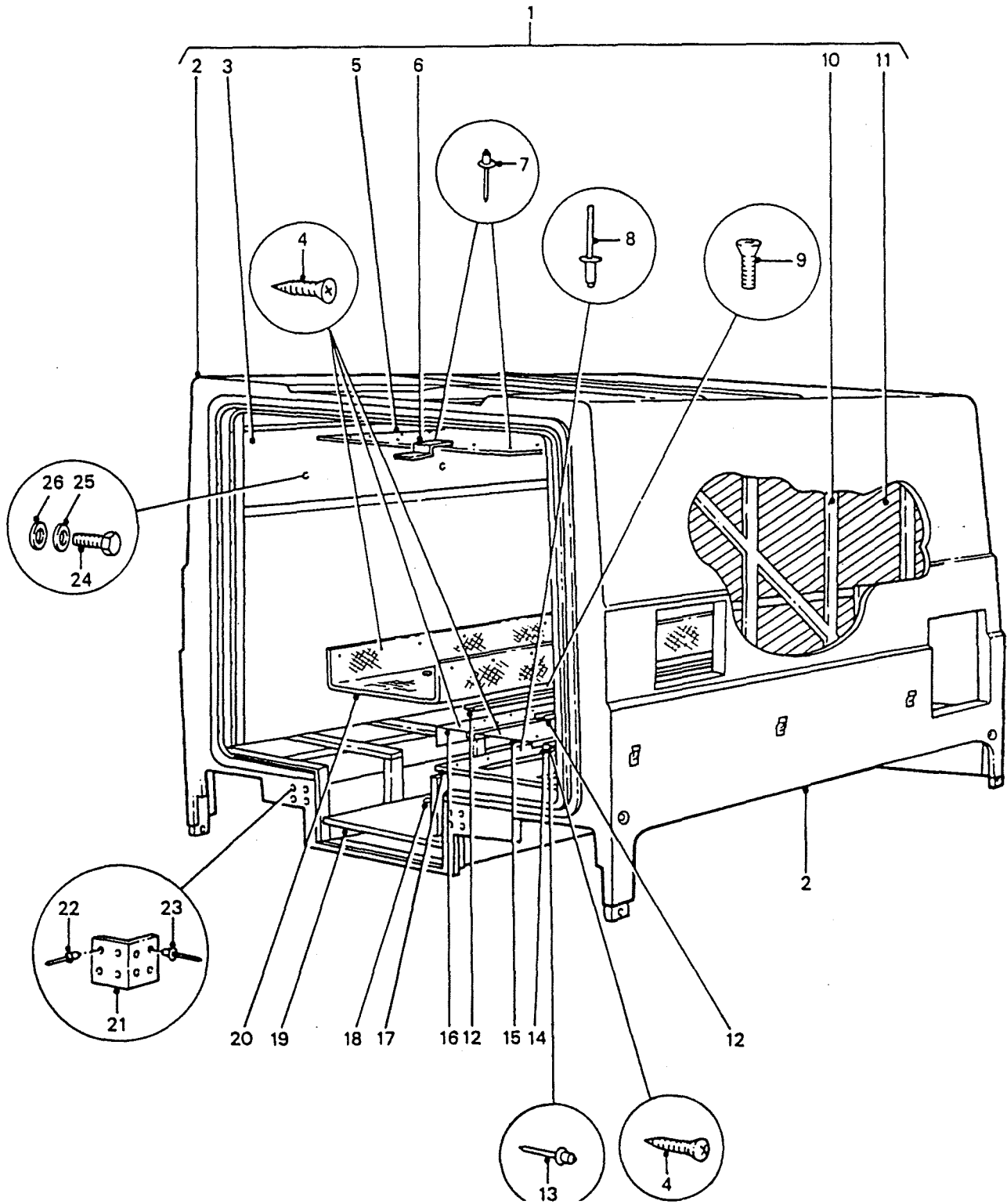
WA /2/1

MODULE SHELL. FRAME AND FLOOR ASSEMBLY - GMV & ERV

DERIVATIVE CODE

<u>ITEM</u>	<u>PART NO.</u>	<u>DESCRIPTION</u>	<u>NSN</u>	<u>2185</u>	<u>2186</u>	<u>2208</u>	<u>2209</u>	<u>2210</u>	<u>2211</u>	<u>2212</u>	<u>2219</u>	<u>CP</u>
1	HYM309	SHELL FRAME AND FLOOR ASSY-GMV						1				
	HYM52	SHELL FRAME AND FLOOR ASSY-ERV								1		
2	NSS											
3	NSS											
4	HYL9996	SCREW-WALKWAY				248	248					
5	HYM310	PANEL-CEILING-GMV						1				
	HYL9924	PANEL-CEILING-ERV								1		
6	HYL9926	PLATE-INNER SHELL JOINT FRONT-LOWER								1		
	HYL9925	PLATE-INNER SHELL JOINT REAR AND FRONT-UPPER								2		
7	HYL9927	POP RIVET				66	66					
8	HYL9095	POP RIVET				162	162					
9	HYL9994	SCREW-UNISTRUT TRACK				44	44					
10	NSS											
11	NSS											
12	HYL9928	TRACK-UNISTRUT				4	4					
13	HYL9993	POP RIVET				20	20					
14	HYM311	PANEL-COVER-RH DECKING-OUTSIDE POSITION						1				
	HYL9929	PANEL-COVER-RH DECKING-OUTSIDE POSITION								1		
	HYM312	PANEL-COVER-LH DECKING-OUTSIDE POSITION						1				
	HYL9930	PANEL-COVER-LH DECKING-OUTSIDE POSITION								1		

GROUP WA/2



**MODULE SHELL, FRAME AND FLOOR ASSEMBLY
- GMV & ERV**

PERENTIE LAND ROVER PARTS LIST

WA /2/1

MODULE SHELL. FRAME AND FLOOR ASSEMBLY - GMV & ERV

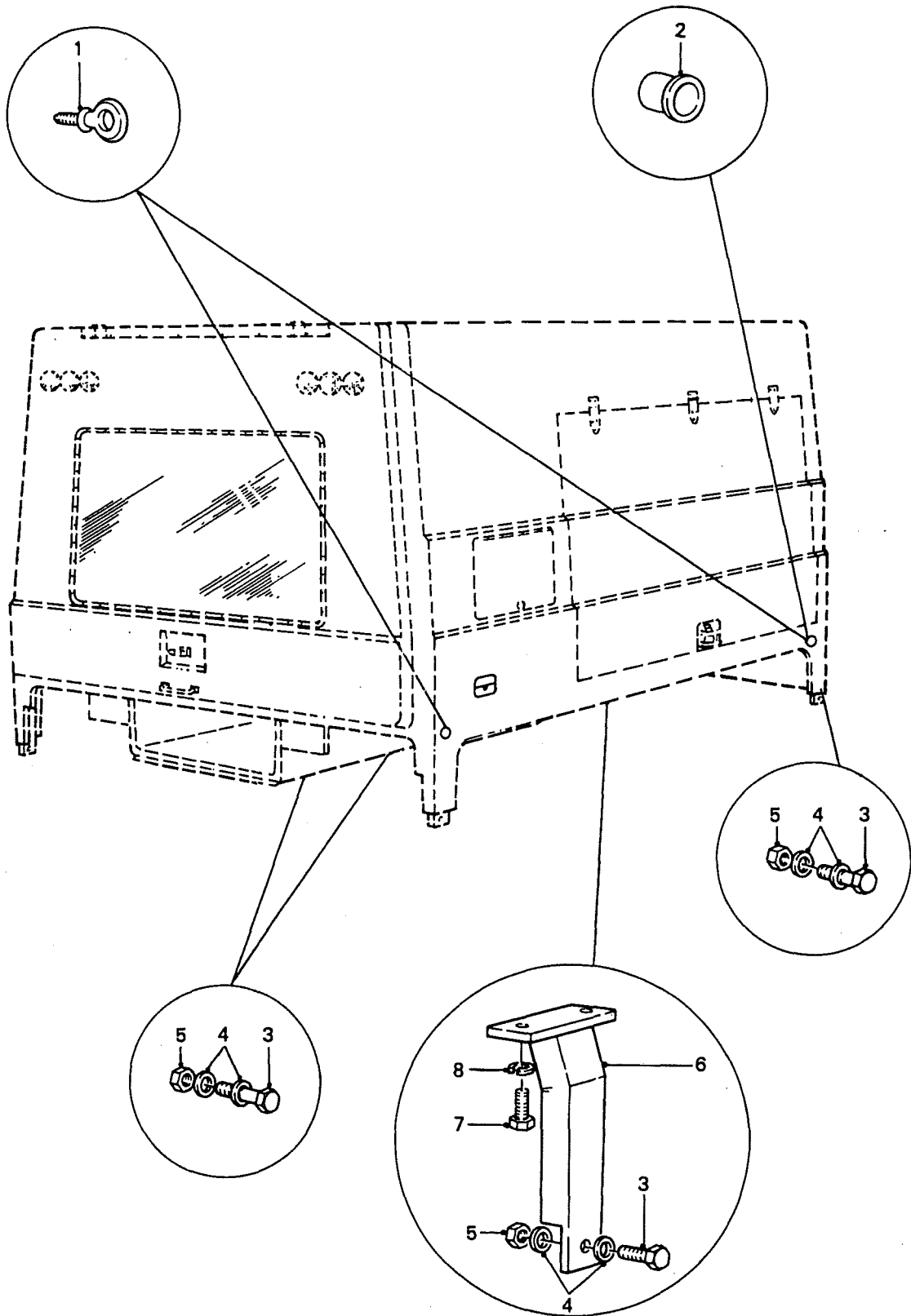
DERIVATIVE CODE

<u>ITEM</u>	<u>PART NO.</u>	<u>DESCRIPTION</u>	<u>NSN</u>	<u>2185</u>	<u>2186</u>	<u>2208</u>	<u>2209</u>	<u>2210</u>	<u>2211</u>	<u>2212</u>	<u>2219</u>	<u>CP</u>
15	HYL9931	PANEL-COVER-RH & LH DECKING-CENTRE POSITION						2	2			
16	HYL9932	PANEL-COVER-RH DECKING-INSIDE POSITION						1	1			
	HYL9933	PANEL-COVER-LH DECKING-INSIDE POSITION						1	1			
17	HYL9934	PANEL-COVER- PLY/GALVSHEET-RH & LH DECKING						2	2			
18	HYL9935	PANEL-WALKWAY-FLOOR -SIDES						2	2			
19	HYL9936	PANEL-WALKWAY-FLOOR -CENTRE						1	1			
20	HYL9937	TREADPLATE-WALKWAY						1	1			
21	HYM211	BRACKET-MOUNTING -SHELL TO FRAME						2	2			
22	RJ612123	POP RIVET						8	8			
23	HYL9965	POP RIVET						8	8			
24	FS110301	SCREW	5305-66-098-4283					6	6			
25	WL110001L	WASHER-LOCK	5310-99-138-9228					6	6			
26	WA110001L	WASHER-PLAIN						6	6			

CHANGE POINT

ARN INTRODUCTION

GROUP WB



**MOUNTINGS AND LIFT BOLTS – MODULE
– AMBULANCE, GMV & ERV**

PERENTIE LAND ROVER PARTS LIST

WB /1/1

MOUNTINGS AND LIFTING BOLTS - MODULE - AMBULANCE, GMV & ERV

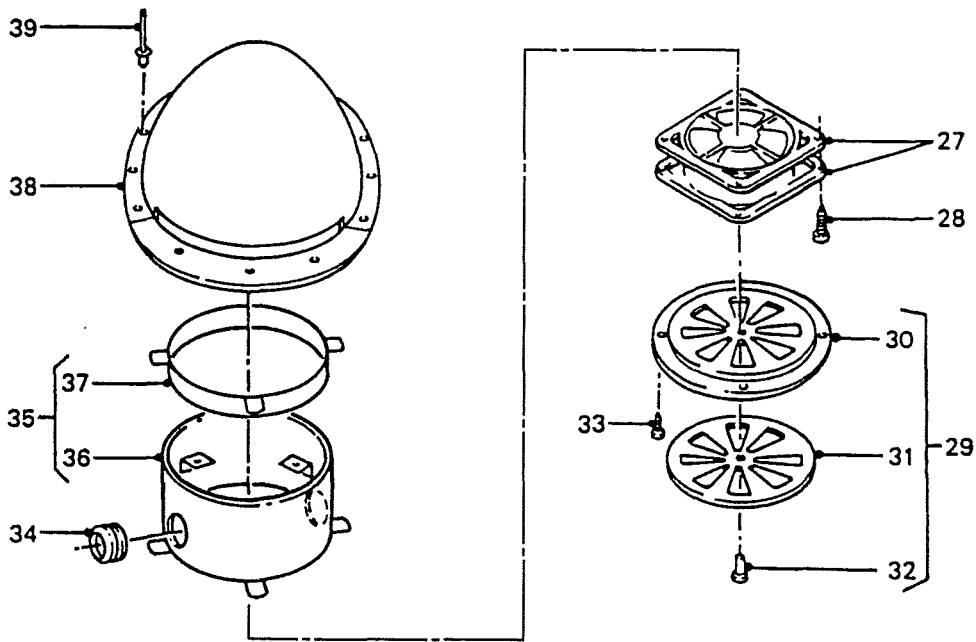
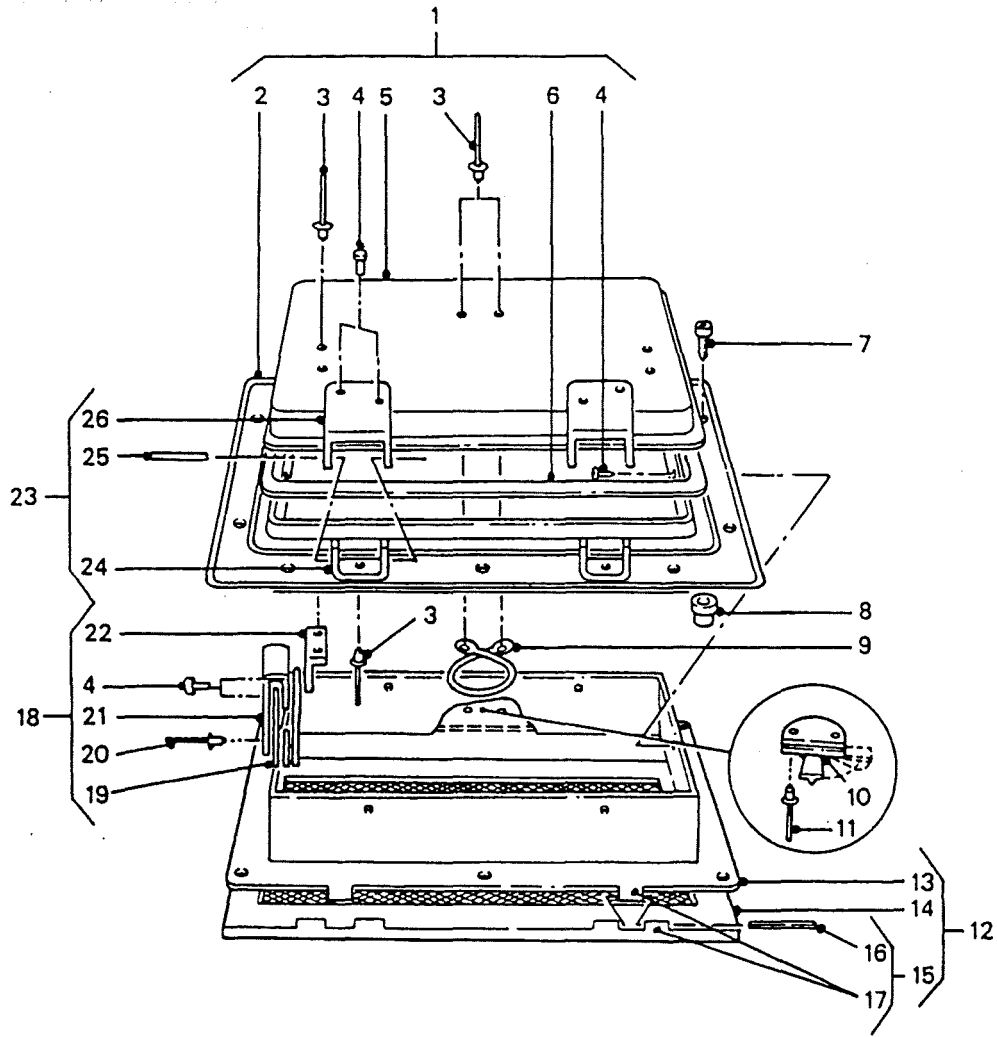
DERIVATIVE CODE

<u>ITEM</u>	<u>PART NO.</u>	<u>DESCRIPTION</u>	<u>NSN</u>	<u>2185</u>	<u>2186</u>	<u>2208</u>	<u>2209</u>	<u>2210</u>	<u>2211</u>	<u>2212</u>	<u>2219</u>	<u>CP</u>
1	HYL9311	BOLT-EYE	5306-66-128-5870			4	4	4				
2	NSS											
3	BH112071L	BOLT	5306-99-122-2772			18	18	18				
4	WA112001	WASHER-PLAIN	5310-99-122-6477			36	36	36				
5	NY112041L	NUT-NYLOC	5310-99-768-7269			6	6	6				
6	HYL9312	BRACKET-MOUNTING				2	2	2				
7	SH110251L	SCREW	5305-99-122-4910			4	4	4				
8	WM110001L	WASHER-LOCK	5310-99-135-4103			4	4	4				

CHANGE POINT

ARN INTRODUCTION

GROUP WC



**ROOF VENT ASSEMBLIES
- AMBULANCE, GMV & ERV**

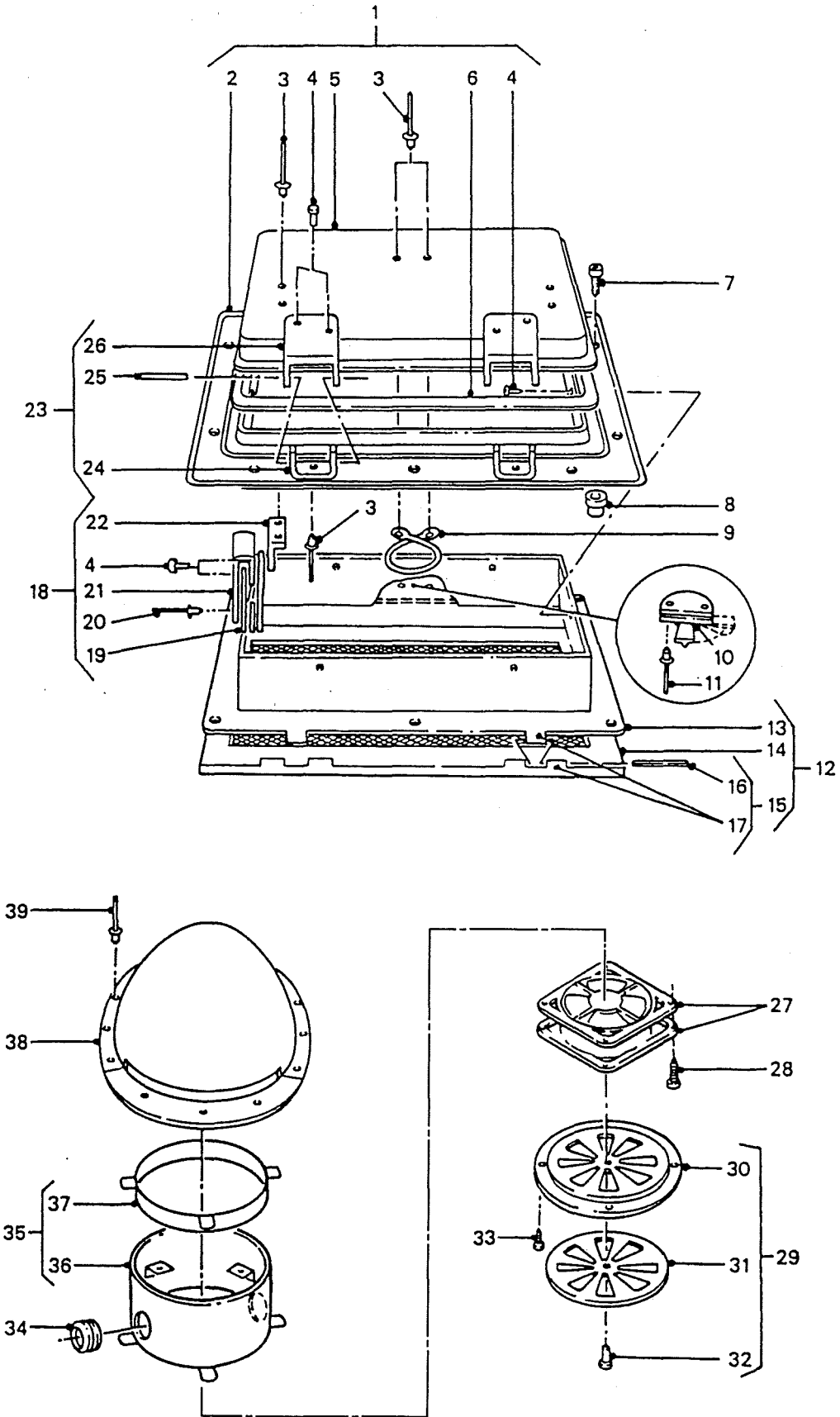
PERENTIE LAND ROVER PARTS LIST

WC /1/1 ROOF VENT ASSEMBLIES - AMBULANCE, GMV & ERV

DERIVATIVE CODE

ITEM	PART NO.	DESCRIPTION	NSN	DERIVATIVE CODE									
				2185	2186	2208	2209	2210	2211	2212	2219	CP	
1	HYL9449	ROOF VENT ASSY				2	2	2					
2	NSS												
3	HYL9927	POP RIVET				8	8	8					
4	NSS												
5	NSS												
6	NSS												
7	SF104151	SCREW				10	10						
	SF104121	SCREW							10				
8	HYL9448	NUTSERT				10	10	10					
9	NSS												
10	HYL9342	CATCH-SCREEN TO FRAME	5340-66-128-5873			1	1	1					
11	HYL9113	POP RIVET				2	2	2					
12	HYL9450	FRAME/SCREEN				1	1	1					
13	NSS												
14	NSS												
15	NSS												
16	NSS												
17	NSS												
18	NSS												
19	NSS												
20	RU612183	POP RIVET	5320-66-128-4938			1	1	1					
21	NSS												
22	NSS												
22	NSS												
23	NSS												
24	NSS												
25	NSS												
26	NSS												
27	HYL9977	FAN-EXHAUST								2			

GROUP WC



**ROOF VENT ASSEMBLIES
- AMBULANCE, GMV & ERV**

PERENTIE LAND ROVER PARTS LIST

WC /1/1

ROOF VENT ASSEMBLIES - AMBULANCE, GMV & ERV

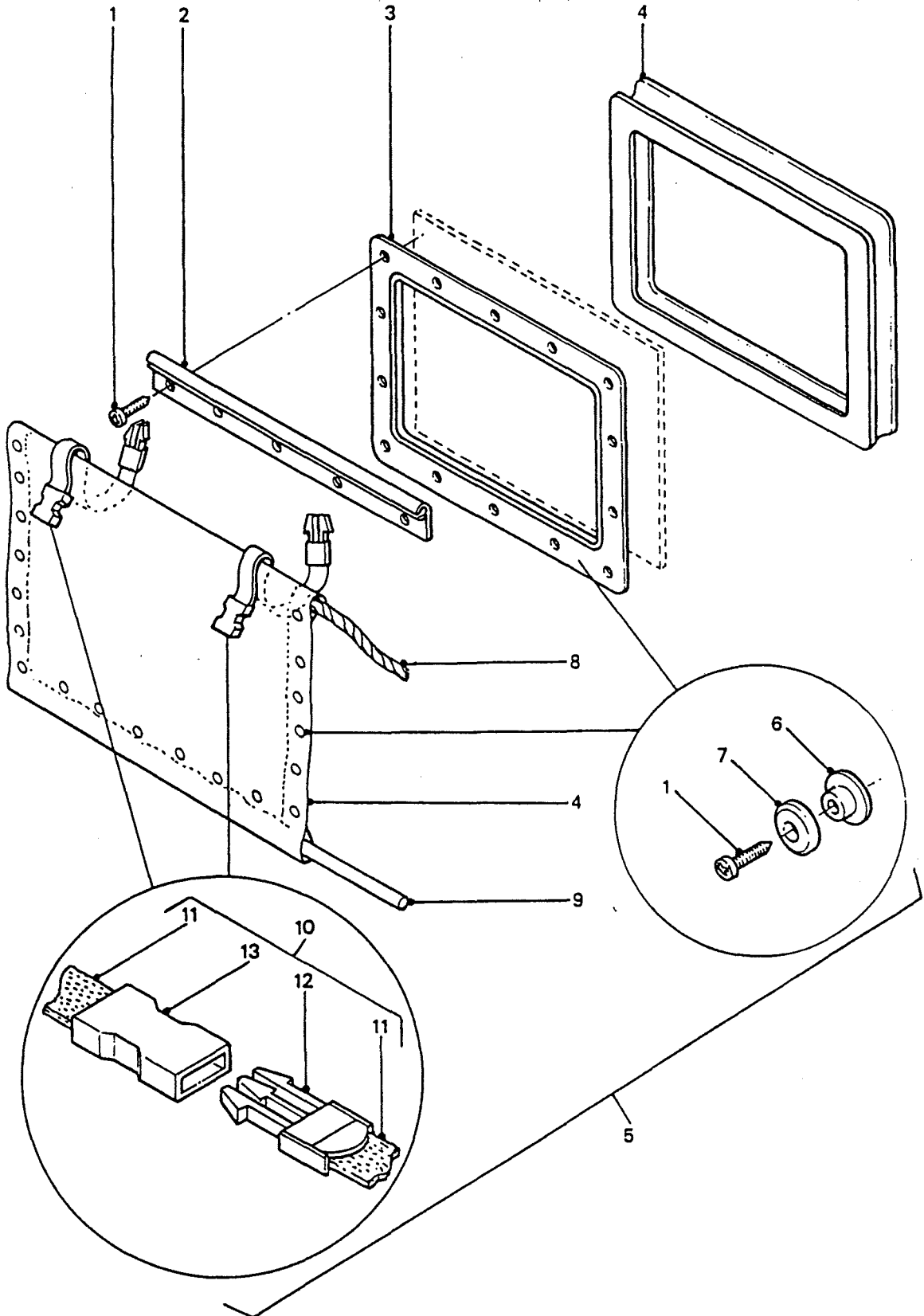
DERIVATIVE CODE

ITEM	PART NO.	DESCRIPTION	NSN	DERIVATIVE CODE									
				2185	2186	2208	2209	2210	2211	2212	2219	CP	
28	SE104401	SCREW										4	
29	HYL9452	PLATE-AIRFLOW (INCL ITEMS 30 - 32)				1	1	1					
30	NSS												
31	NSS												
32	NSS												
33	AB606051L	SCREW	5305-66-016-0723			4	4	4					
34	HYL9978	GROMMET										2	
35	HYL9979	MOUNTING-FAN										2	
36	NSS												
37	NSS												
38	HYL9451	DUCT-AIR-ROOF				1	1	1					
39	HYL9176	POP RIVET				8	8	8					
	HYL9945	POP RIVET- INSULATOR-ROOF VENT										4	

CHANGE POINT

ARN INTRODUCTION

GROUP WD/1



MEMBRANE, WINDOW SURROUND & BLACKOUT CURTAIN – FRONT – AMBULANCE

PERENTIE LAND ROVER PARTS LIST

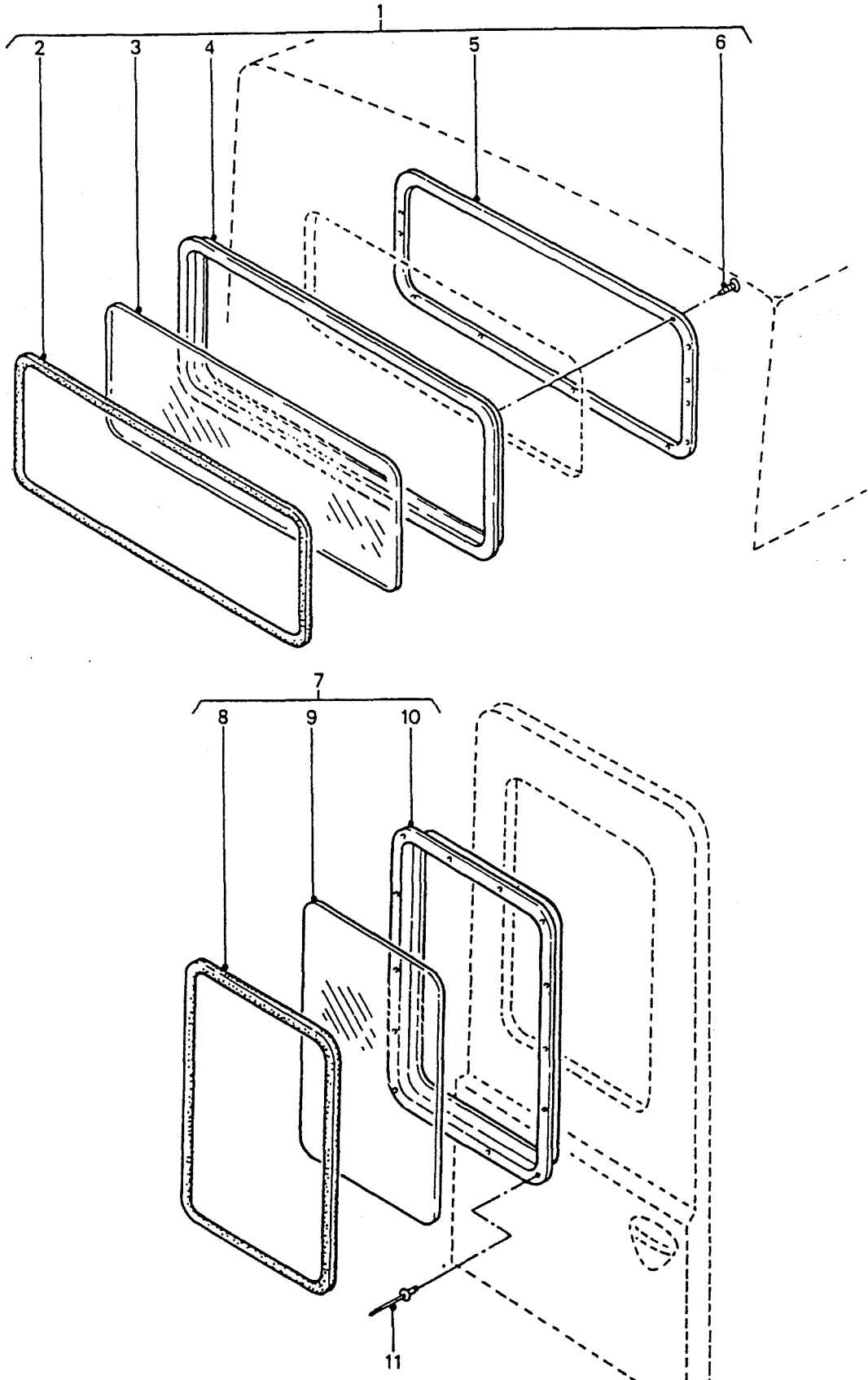
WD /1/1

MEMBRANE, WINDOW SURROUND & BLACKOUT CURTAIN - FRONT - AMBULANCE
DERIVATIVE CODE

<u>ITEM</u>	<u>PART NO.</u>	<u>DESCRIPTION</u>	<u>NSN</u>	<u>2185</u>	<u>2186</u>	<u>2208</u>	<u>2209</u>	<u>2210</u>	<u>2211</u>	<u>2212</u>	<u>2219</u>	<u>CP</u>
1	AB606051L	SCREW	5305-66-016-0723					24				
2	NSS											
3	HYL9297	FRAME-WINDOW						1				
4	NSS											
5	HYL9298	CURTAIN-BLACKOUT	2540-66-128-5871					1				
6	HYL9299	STUD-MALE						21				
7	HYL9300	STUD-FEMALE						21				
8	NSS											
9	NSS											
10	NSS											
11	NSS											
12	NSS											
13	NSS											

CHANGE POINT

ARN INTRODUCTION

GROUP WD/2

**WINDOW ASSEMBLIES FRONT & REAR – GMV,
FRONT ONLY – ERV**

PERENTIE LAND ROVER PARTS LIST

WD /2/1 WINDOW ASSEMBLIES FRONT & REAR - GMV, FRONT ONLY - ERV

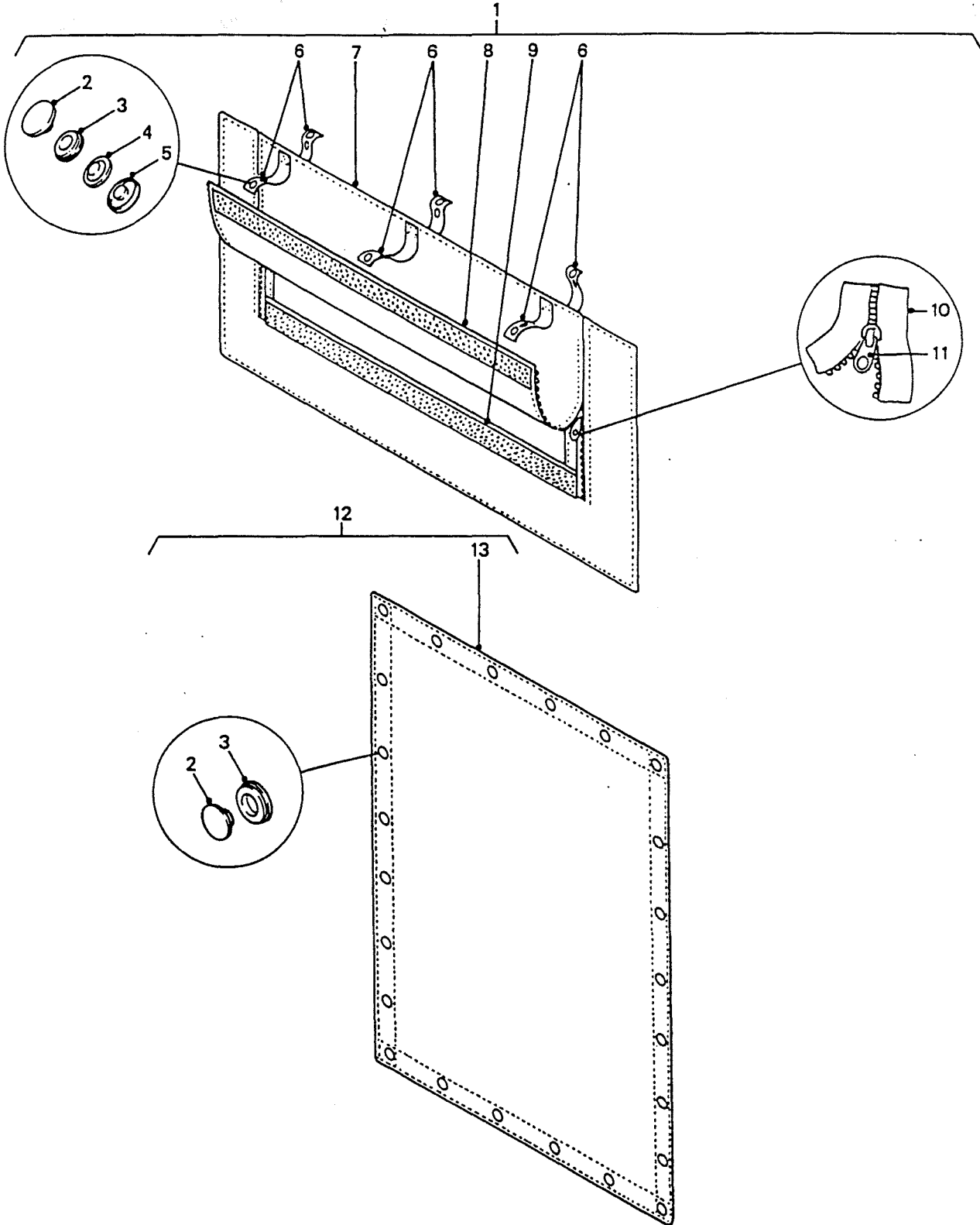
DERIVATIVE CODE

<u>ITEM</u>	<u>PART NO.</u>	<u>DESCRIPTION</u>	<u>NSN</u>	<u>2185</u>	<u>2186</u>	<u>2208</u>	<u>2209</u>	<u>2210</u>	<u>2211</u>	<u>2212</u>	<u>2219</u>	<u>CP</u>
1	HYL9980	WINDOW ASSY-FRONT							1	1		
2	HYL9981	SEAL-WINDOW	5330-66-128-6083						1	1		
3	NSS											
4	NSS											
5	NSS											
6	AB608044L	SCREW	5305-99-977-3255						14	14		
7	HYL9982	WINDOW ASSEMBLY -REAR DOOR									1	
9	NSS											
10	NSS											
11	HYL9965	POP RIVET									14	

CHANGE POINT

ARN INTRODUCTION

GROUP WDA



**BLACKOUT CURTAIN ASSEMBLIES FRONT AND REAR
- GMV & ERV**

PERENTIE LAND ROVER PARTS LIST

WDA /1/1 BLACKOUT CURTAIN ASSEMBLIES FRONT AND REAR - GMV & ERV

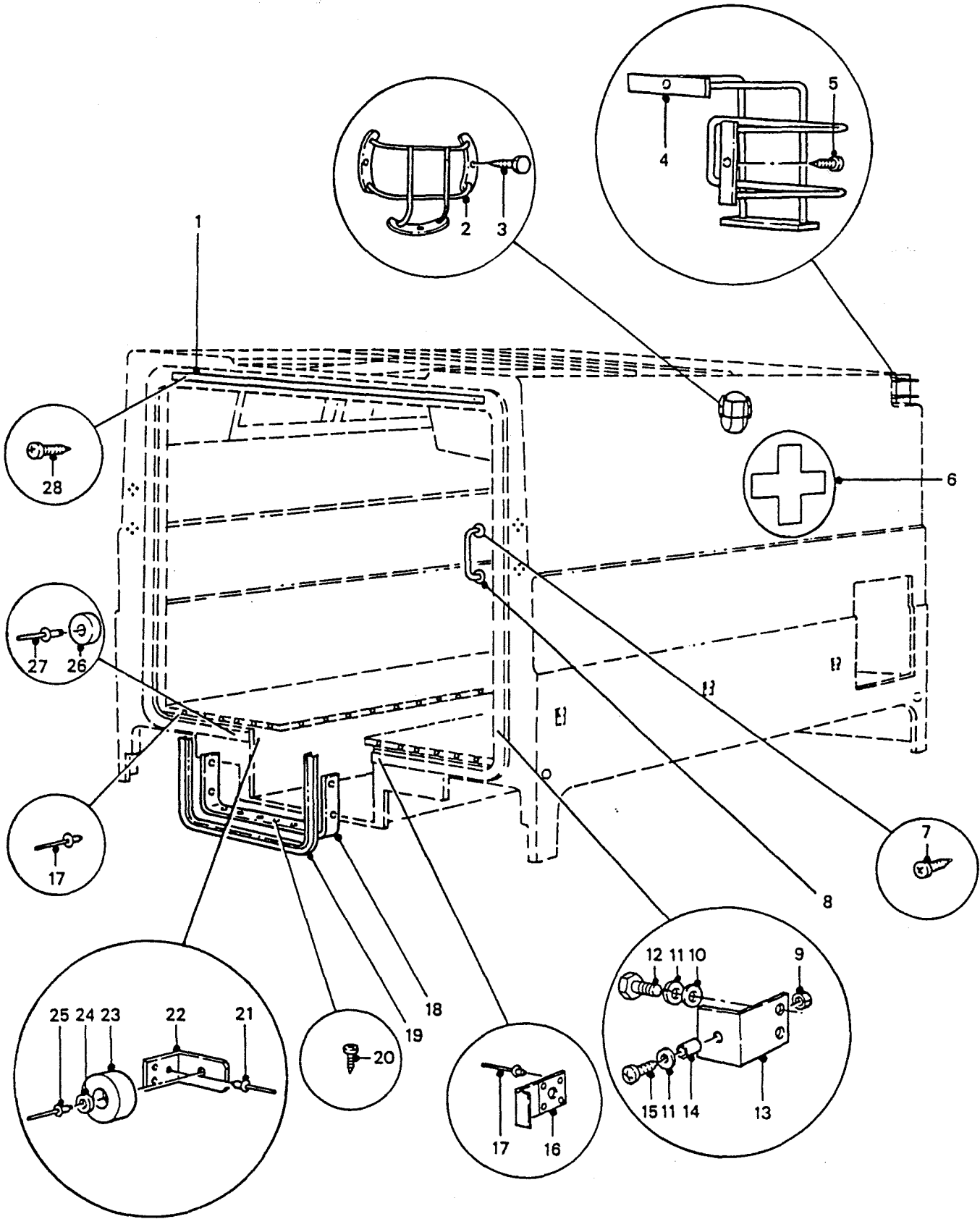
DERIVATIVE CODE

<u>ITEM</u>	<u>PART NO.</u>	<u>DESCRIPTION</u>	<u>NSN</u>	<u>2185</u>	<u>2186</u>	<u>2208</u>	<u>2209</u>	<u>2210</u>	<u>2211</u>	<u>2212</u>	<u>2219</u>	<u>CP</u>
1	HYL9987	CURTAIN ASSY-BLACKOUT-FRONT	7230-66-128-6107					1	1			
2	HYL9300	STUD-FEMALE					30	30				
3	HYL9299	STUD-MALE					30	30				
4	HYL9221	STUD-MALE					6	6				
5	HYL9222	STUD-FEMALE					6	6				
6	NSS											
7	NSS											
8	NSS											
9	NSS											
10	NSS											
11	NSS											
12	HYL9988	CURTAIN ASSY-BLACKOUT-REAR	7230-66-128-6108						1			
13	NSS											

CHANGE POINT

ARN INTRODUCTION

GROUP WE/1 SHEET 1



**EXTERIOR FIXTURES, LOCKER DOOR,
MOUNTINGS & LOCK - AMBULANCE**

PERENTIE LAND ROVER PARTS LIST

WE /1/1 EXTERIOR FIXTURES, LOCKER DOOR, MOUNTINGS & LOCK - AMBULANCE

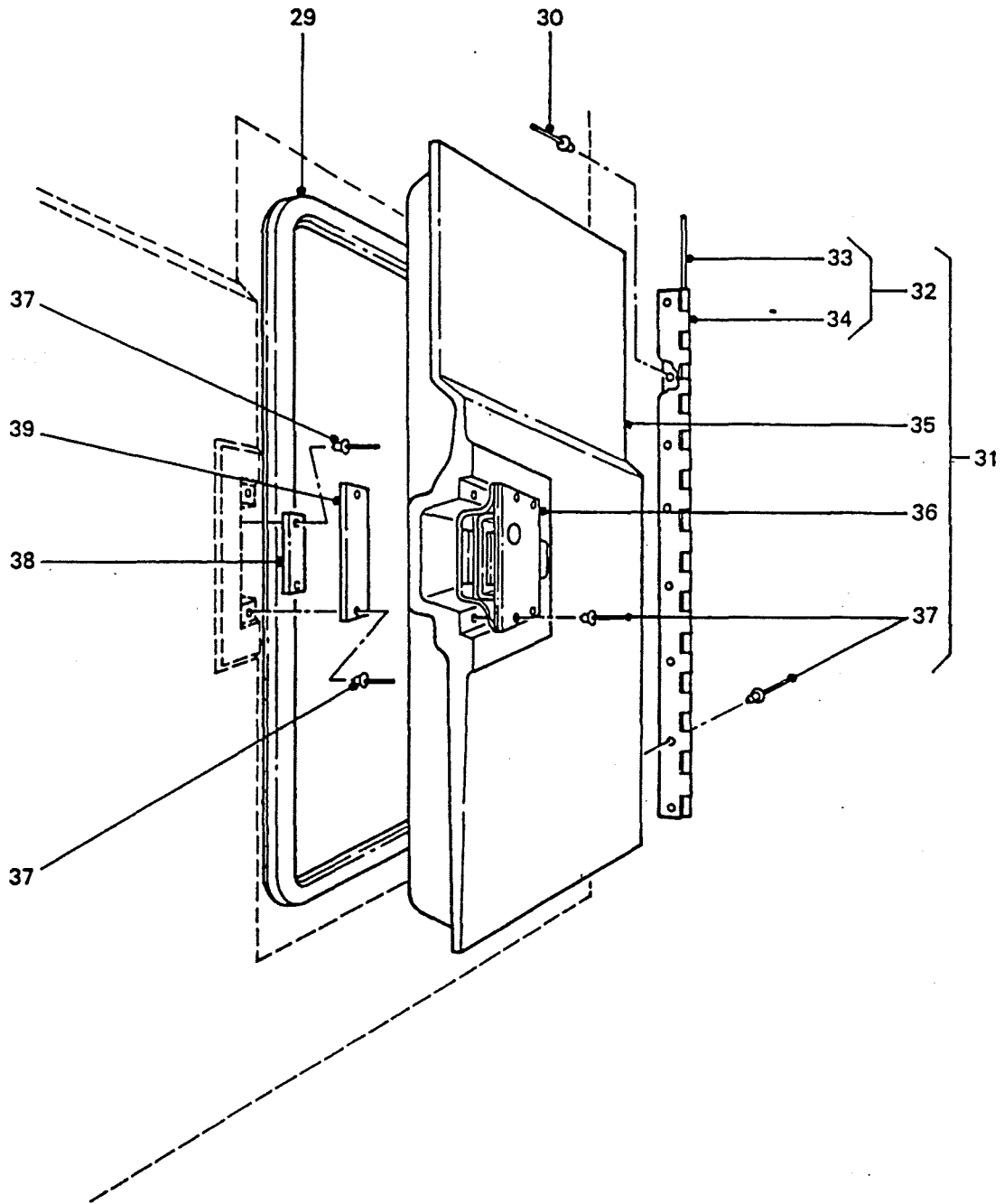
DERIVATIVE CODE

<u>ITEM</u>	<u>PART NO.</u>	<u>DESCRIPTION</u>	<u>NSN</u>	<u>2185</u>	<u>2186</u>	<u>2208</u>	<u>2209</u>	<u>2210</u>	<u>2211</u>	<u>2212</u>	<u>2219</u>	<u>CP</u>
1	HYL9453	MOULD-GUTTER										1
2	HYL9608	CAGE-LAMP										2
3	MYH3337	SCREW	5305-66-128-5341									6
4	HYL9454	CAGE-LIGHT-RH										1
	HYL9455	CAGE-LIGHT-LH										1
5	AC606071	SCREW										6
6	NSS											
7	SF206451	SCREW										8
8	HYL9456	HANDLE-EXTERIOR										2
9	NY106041L	NUT-NYLOC	5310-99-138-8423									2
10	WA106001L	WASHER-PLAIN										4
11	WL106001L	WASHER-LOCK	5310-99-137-9232									6
12	FS108201	SCREW	5305-99-122-5366									4
13	HYL9457	BRACKET-LOCATING										2
14	HYL9458	SOCKET-DOOR										2
15	SP106201	SCREW										2
16	HYL9459	PLATE-STRIKER										1
17	HYL9113	POP RIVET										18
18	HYL9460	MOULDING										1
19	NSS	<i>BY NYM1286 SEAL 10</i>										<i>10 MARK PERENTIE</i>
20	AS108251	SCREW										11
21	HYL9965	POP RIVET										3
22	HYL9461	BRACKET										3
23	NSS											
24	WA600031	WASHER-PLAIN	5310-66-128-4936									3
25	HYL9095	POP RIVET										12
26	HYL9266	BUFFER-RUBBER										2
27	HYL9945	POP RIVET										2
28	HYL9171	POP RIVET										9

CHANGE POINT

ARN INTRODUCTION

GROUP WE/1 SHEET 2



**EXTERIOR FIXTURES, LOCKER DOOR,
MOUNTINGS & LOCK - AMBULANCE - CONTINUED**

PERENTIE LAND ROVER PARTS LIST

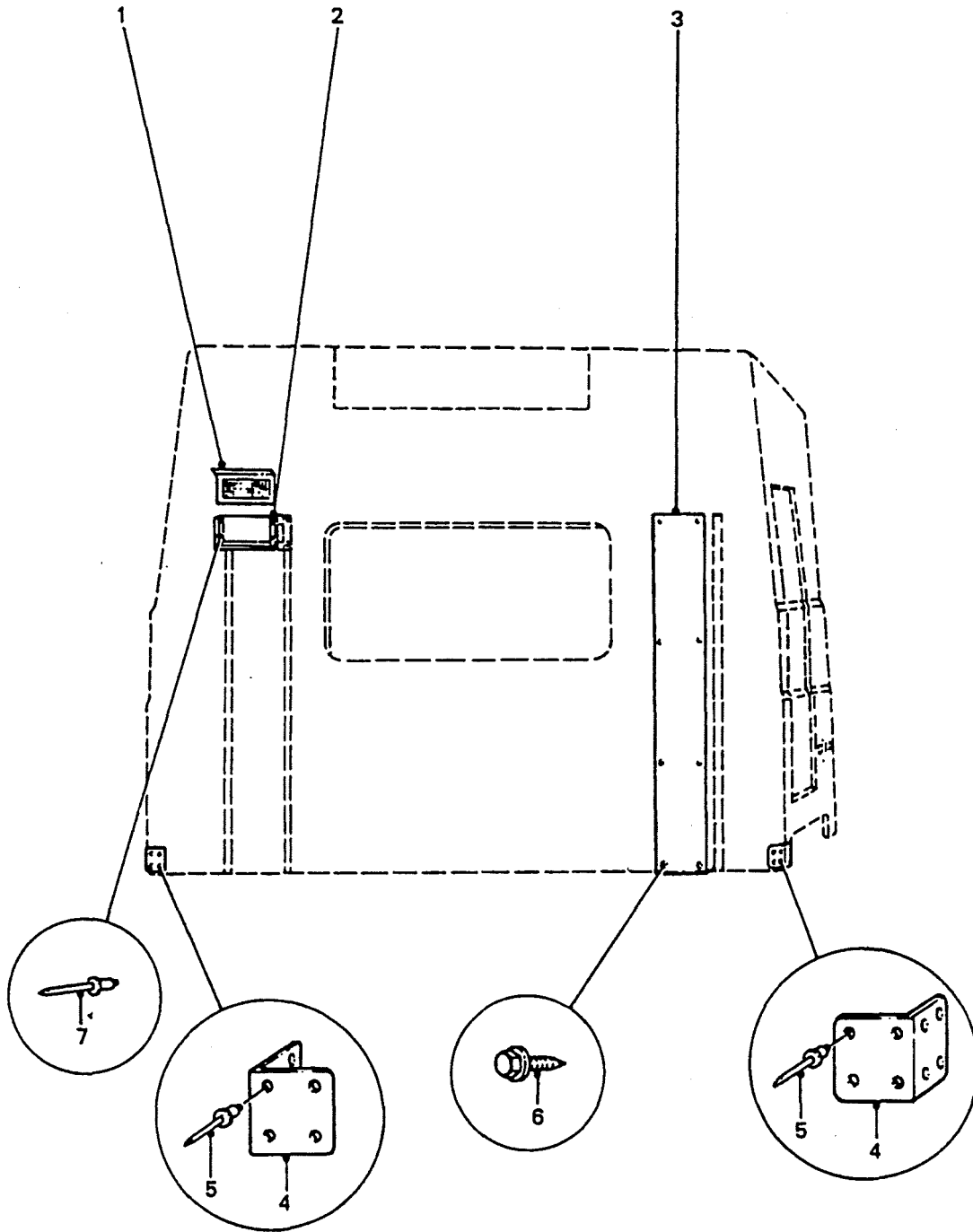
WE /1/2 **EXTERIOR LOCKER DOOR, MOUNTINGS & LOCK - AMBULANCE - CONTINUED**
DERIVATIVE CODE

<u>ITEM</u>	<u>PART NO.</u>	<u>DESCRIPTION</u>	<u>NSN</u>	<u>2185</u>	<u>2186</u>	<u>2208</u>	<u>2209</u>	<u>2210</u>	<u>2211</u>	<u>2212</u>	<u>2219</u>	<u>CP</u>
29	HYL9463	SEAL-DOOR LOCKER										1
30	RU608123L	POP RIVET	5320-66-128-4634									17
31	HYL9464	DOOR ASSY-LOCKER-RH (INCL ITEMS 32 - 37)										1
	HYL9465	DOOR ASSY-LOCKER-LH										1
32	HYL9466	HINGE-DOOR-LH										1
	HYL9467	HINGE-DOOR-RH										2
33	NSS											
34	NSS											
35	NSS											
36	HYL9468	LOCK ASSY-EXTERIOR LOCKER DOOR										2
37	HYM2	POP RIVET										8
38	HYL9469	PLATE-LOCK-100MM LONG										2
39	HYL9470	PLATE-LOCK-150MM LONG										2

CHANGE POINT

ARN INTRODUCTION

GROUP WE/2 SHEET 1



**EXTERIOR FIXTURES – MODULE
– GMV**

PERENTIE LAND ROVER PARTS LIST

WE /2/1

EXTERIOR FIXTURES - MODULE - GMV

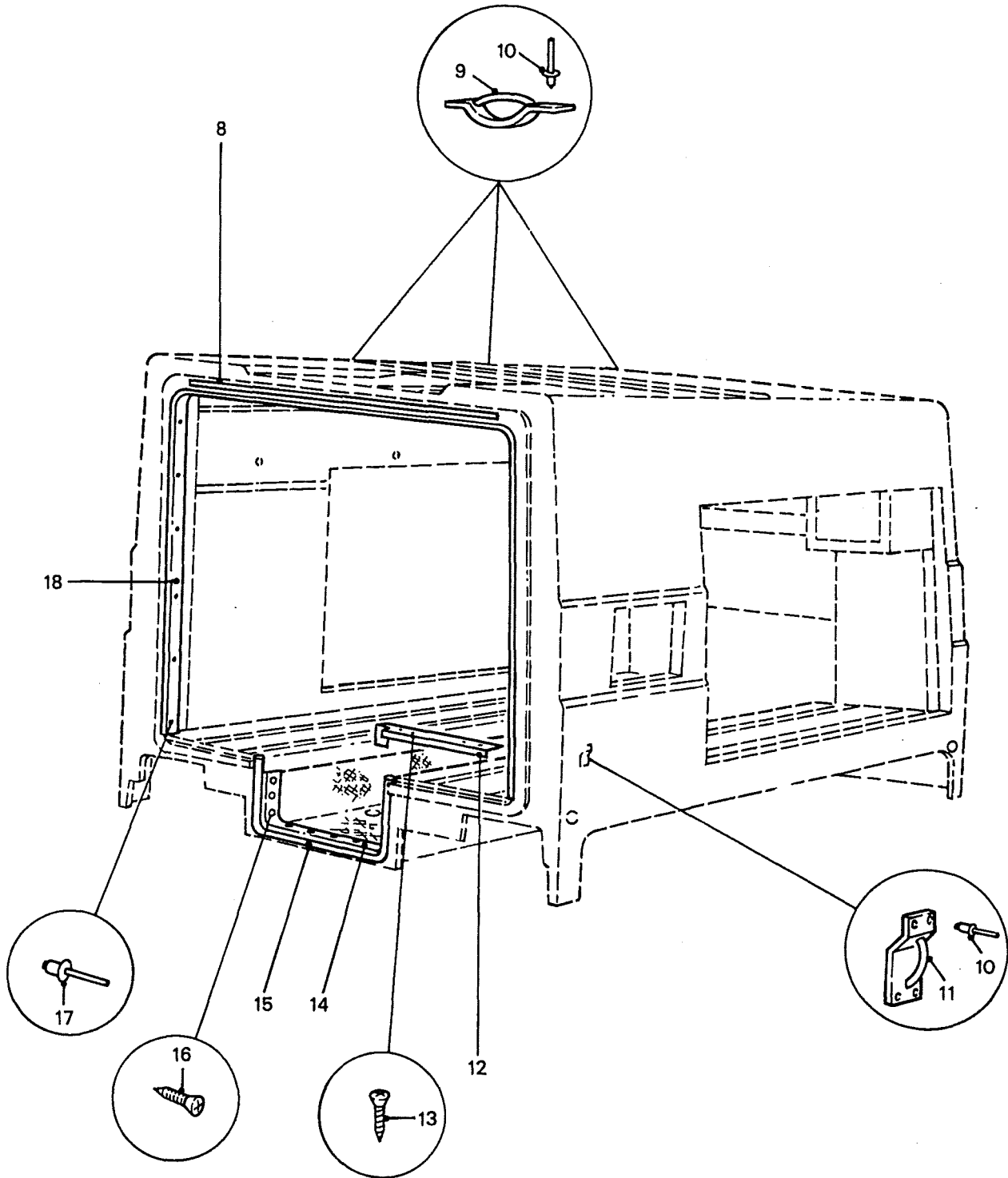
DERIVATIVE CODE

<u>ITEM</u>	<u>PART NO.</u>	<u>DESCRIPTION</u>	<u>NSN</u>	<u>2185</u>	<u>2186</u>	<u>2208</u>	<u>2209</u>	<u>2210</u>	<u>2211</u>	<u>2212</u>	<u>2219</u>	<u>CP</u>
1	HYL9938	SCREEN-AIR FLOW VENT								1		
2	HYL9939	KEEPER-AIR FLOW VENT								1		
3	HYL9443	PANEL ACCESS								1		
4	HYL9944	GUARD-STONE								2		
5	HYL9945	POP RIVET								16		
6	AB604061L	SCREW								8		
7	HYL9927	POP RIVET								14		

CHANGE POINT

ARN INTRODUCTION

GROUP WE/2 SHEET 2



**EXTERIOR FIXTURES – MODULE
– GMV – CONTINUED**

PERENTIE LAND ROVER PARTS LIST

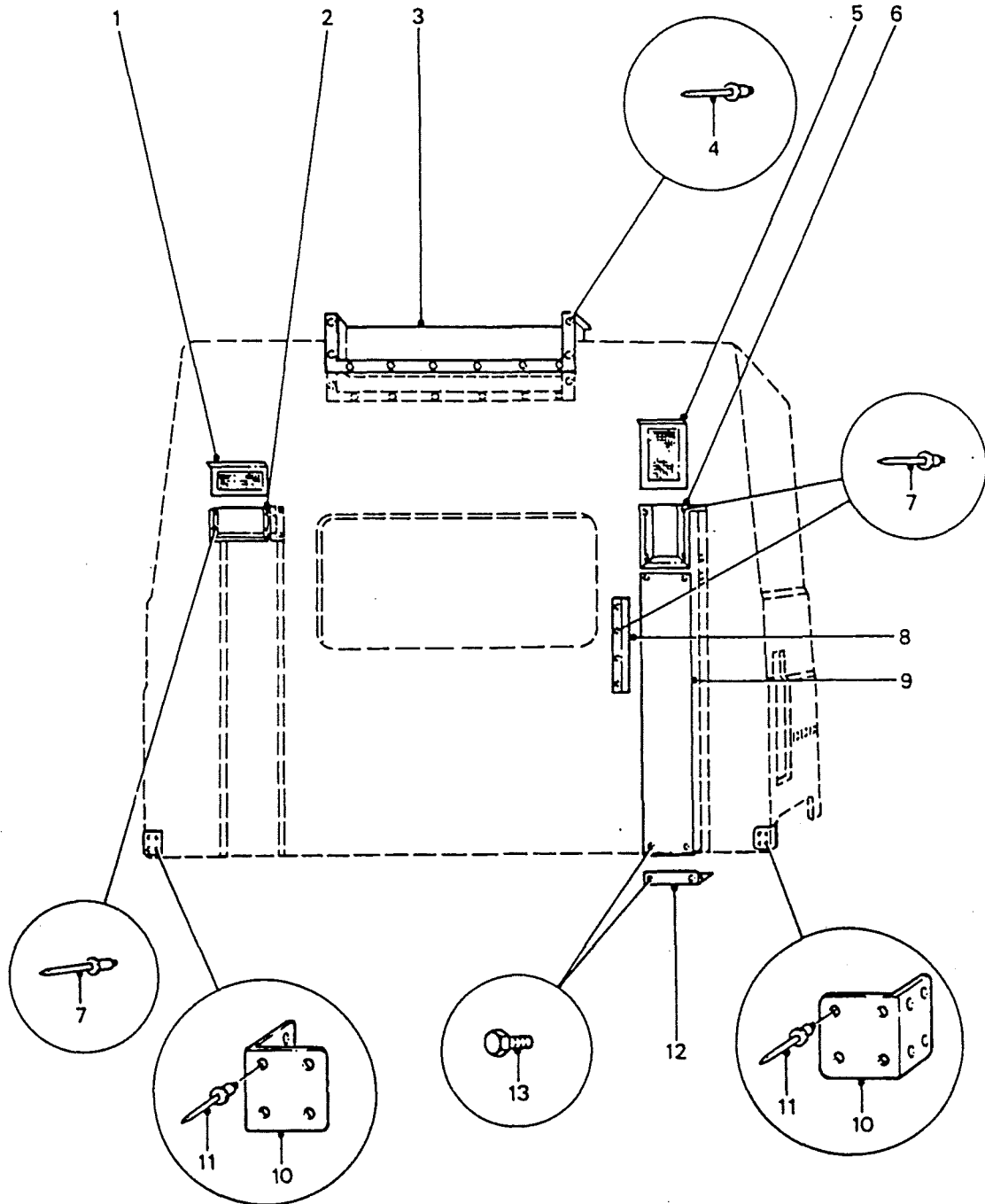
WE /2/2 EXTERIOR FIXTURES - MODULE - GMV - CONTINUED

DERIVATIVE CODE

<u>ITEM</u>	<u>PART NO.</u>	<u>DESCRIPTION</u>	<u>NSN</u>	<u>2185</u>	<u>2186</u>	<u>2208</u>	<u>2209</u>	<u>2210</u>	<u>2211</u>	<u>2212</u>	<u>2219</u>	<u>CP</u>
8	HYL9453	MOULD-GUTTER										1
9	HYL9607	HOOK-TIE DOWN	2540-66-128-5896									6
10	HYL9171	POP RIVET										32
11	HYL9433	HOOK-TIE DOWN	2540-66-128-5897									2
12	HYM313	MOULDING-REAR-RH										1
	HYM314	MOULDING-REAR-LH										1
13	HYL9991	SCREW										10
14	HYL9949	MOULDING-REAR -WALKWAY										1
15	HYM53	SEAL-WALKWAY										1
16	HYL9990	SCREW										11
17	RU608123L	POP RIVET	5320-66-128-4634									90
18	HYL9439	MOULDING-REAR DOOR OPENING										1

CHANGE POINT

ARN INTRODUCTION

GROUP WE/3 SHEET 1

**EXTERIOR FIXTURES – MODULE
– ERV**

PERENTIE LAND ROVER PARTS LIST

WE /3/1 EXTERIOR FIXTURES - MODULE - ERV

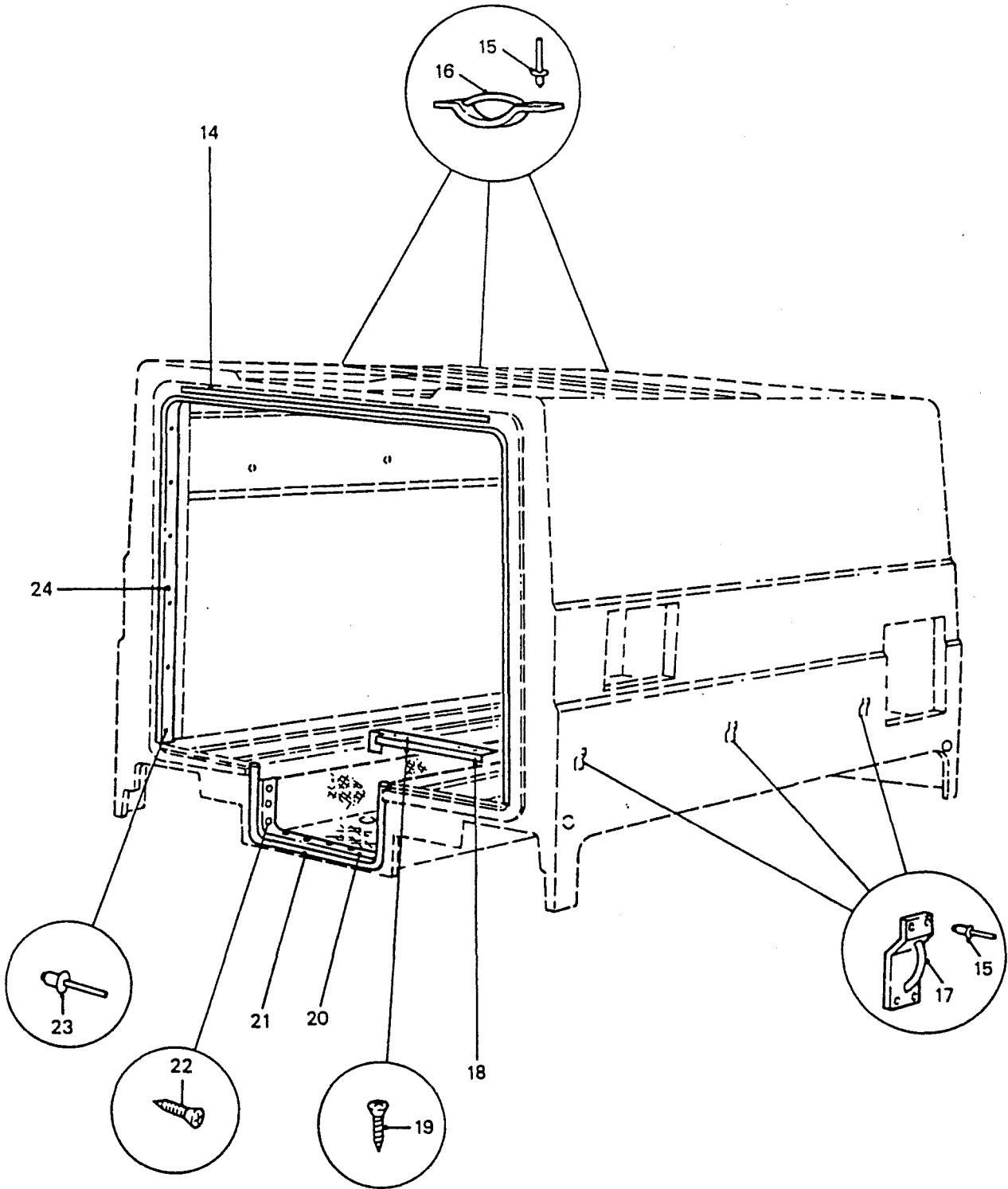
DERIVATIVE CODE

<u>ITEM</u>	<u>PART NO.</u>	<u>DESCRIPTION</u>	<u>NSN</u>	<u>2185</u>	<u>2186</u>	<u>2208</u>	<u>2209</u>	<u>2210</u>	<u>2211</u>	<u>2212</u>	<u>2219</u>	<u>CP</u>
1	HYL9938	SCREEN-AIR FLOW VENT								1		
2	HYL9939	KEEPER-AIR FLOW VENT								1		
3	HYL9940	PANEL-MOUNTING -AIR CONDITIONING								1		
4	HYL9993	POP RIVET								25		
5	HYL9941	SCREEN-VENT								1		
6	HYL9942	KEEPER-SCREEN								1		
7	HYL9927	POP RIVET								14		
8	HYL9942	PLATE-RETENTION								4		
9	HYL9943	PANEL-ACCESS								1		
10	HYL9944	GUARD-STONE								2		
11	HYL9945	POP RIVET								16		
12	HYL9946	PLATE-VENT								1		
13	AB604061L	SCREW								6		

CHANGE POINT

ARN INTRODUCTION

GROUP WE/3 SHEET 2



**EXTERIOR FIXTURES – MODULE
– ERV – CONTINUED**

PERENTIE LAND ROVER PARTS LIST

WE /3/2

EXTERIOR FIXTURES - MODULE - ERV - CONTINUED

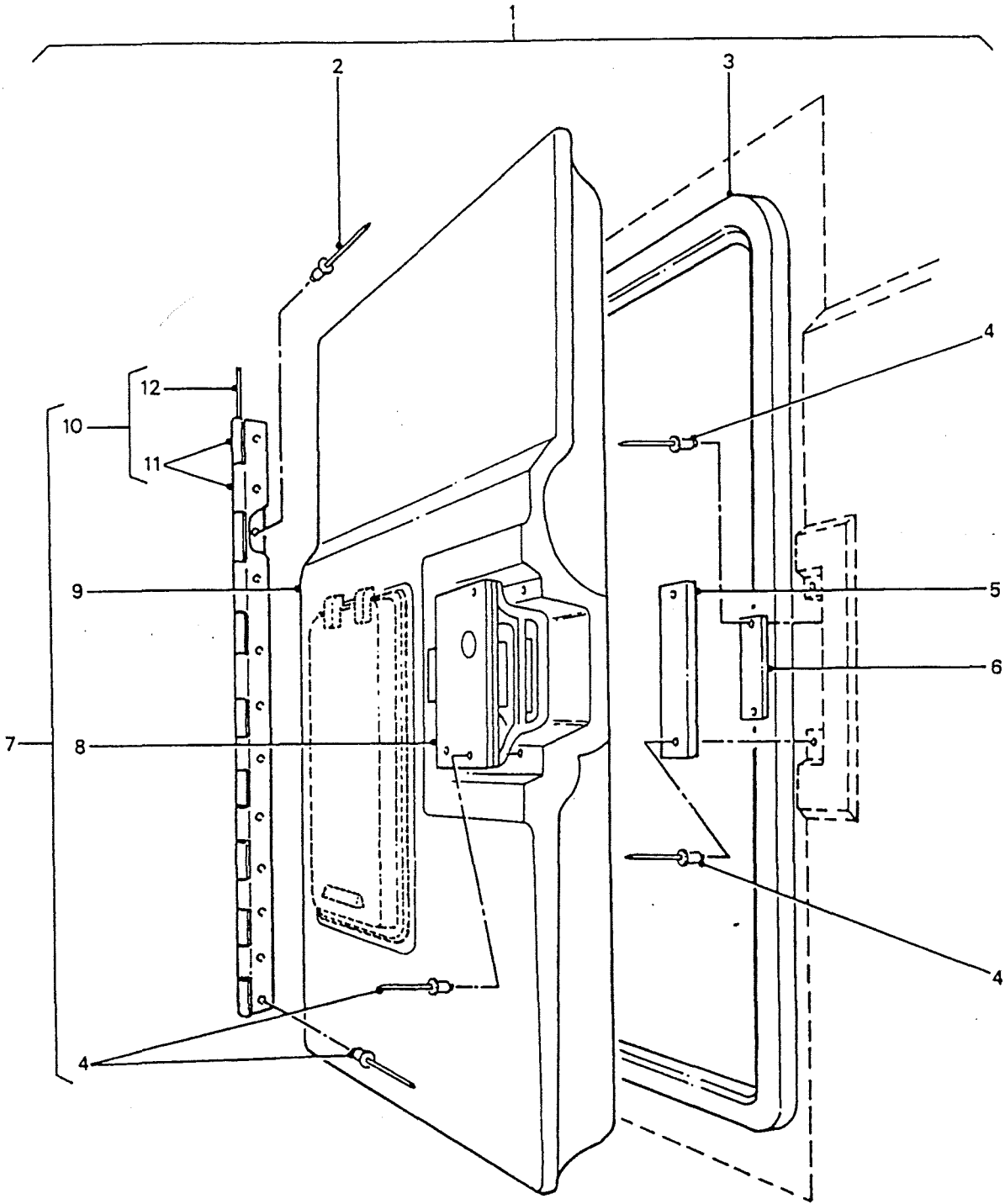
DERIVATIVE CODE

<u>ITEM</u>	<u>PART NO.</u>	<u>DESCRIPTION</u>	<u>NSN</u>	<u>2185</u>	<u>2186</u>	<u>2208</u>	<u>2209</u>	<u>2210</u>	<u>2211</u>	<u>2212</u>	<u>2219</u>	<u>CP</u>
14	HYL9453	MOULD-GUTTER										1
15	HYL9171	POP RIVET										45
16	HYL9607	HOOK-TIE DOWN	2540-66-128-5896									6
17	HYL9433	HOOK-TIE DOWN	2540-66-128-5897									6
18	HYL9947	MOULDING-REAR-RH										1
	HYL9948	MOULDING-REAR-LH										1
19	HYL9991	SCREW										10
20	HYL9949	MOULDING-REAR										1
21	HYM53	SEAL-WALKWAY										1
22	HYL9990	SCREW										11
23	RU608123L	POP RIVET	5320-66-128-4634									90
24	HYL9439	MOULDING-REAR DOOR OPENING										1

CHANGE POINT

ARN INTRODUCTION

GROUP WEA SHEET 1



**EXTERIOR LOCKER DOOR, MOUNTINGS,
FAN & VENT – AIR CONDITIONER – ERV**

PERENTIE LAND ROVER PARTS LIST

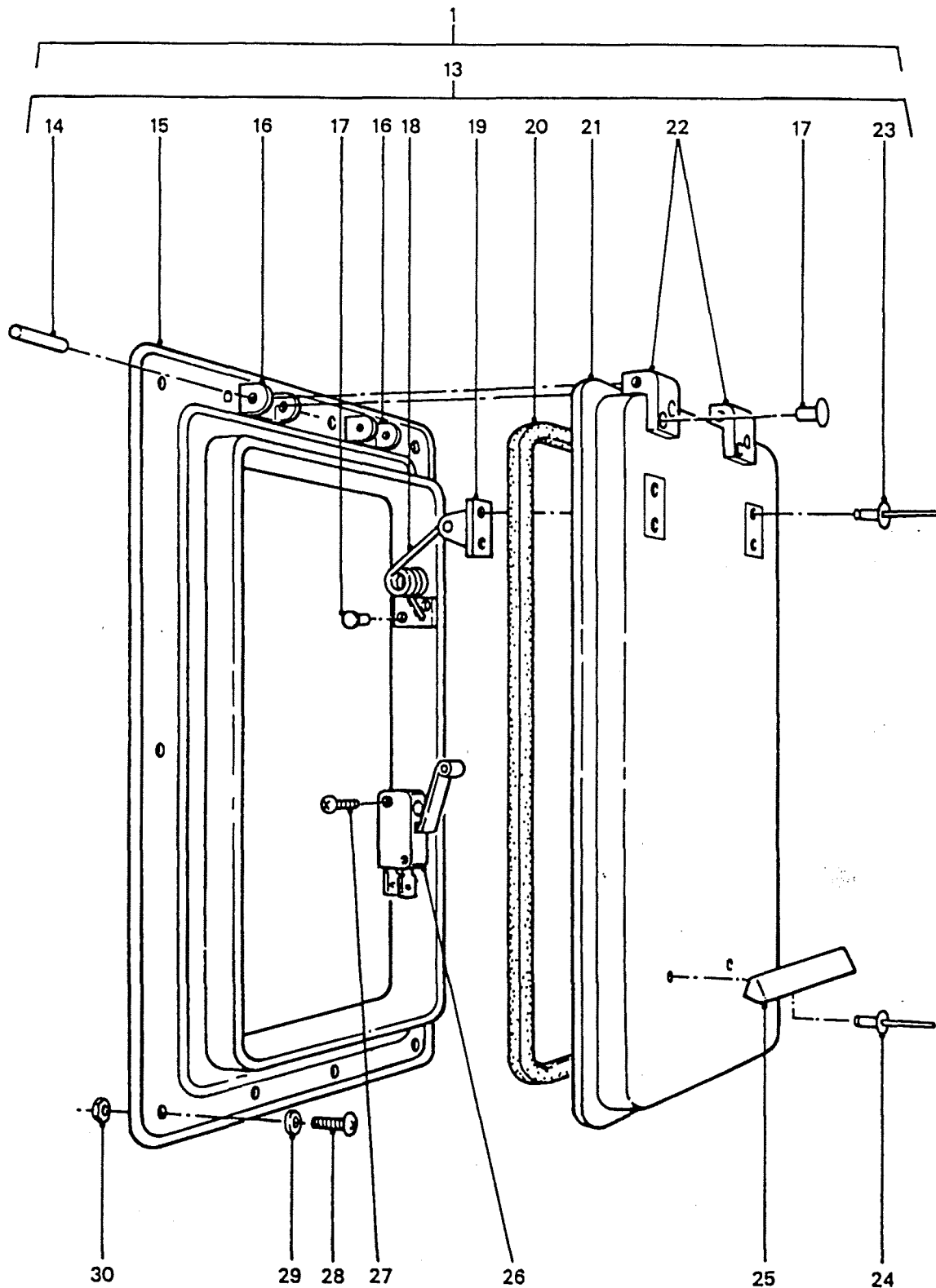
WEA /1/1 EXTERIOR LOCKER DOOR, MOUNTINGS, FAN & VENT - AIR CONDITIONER - ERV
DERIVATIVE CODE

<u>ITEM</u>	<u>PART NO.</u>	<u>DESCRIPTION</u>	<u>NSN</u>	<u>2185</u>	<u>2186</u>	<u>2208</u>	<u>2209</u>	<u>2210</u>	<u>2211</u>	<u>2212</u>	<u>2219</u>	<u>CP</u>
1	HYM1	DOOR ASSY-LOCKER-EXTERIOR									1	
2	RU608123L	POP RIVET	5320-66-128-4634								11	
3	HYL9463	SEAL-DOOR									1	
4	HYM2	POP RIVET									19	
5	HYL9470	PLATE-LOCK-150MM LONG									1	
6	HYL9469	PLATE-LOCK-100MM LONG									1	
7	NSS											
8	HYL9468	LOCK-LOCKER DOOR-EXTERIOR									1	
9	NSS											
10	HYL9466	HINGE-DOOR-LH									1	
11	NSS											
12	NSS											

CHANGE POINT

ARN INTRODUCTION

GROUP WEA SHEET 2



**EXTERIOR LOCKER DOOR, MOUNTINGS,
FAN & VENT - AIR CONDITIONER - ERV - CONTINUED**

PERENTIE LAND ROVER PARTS LIST

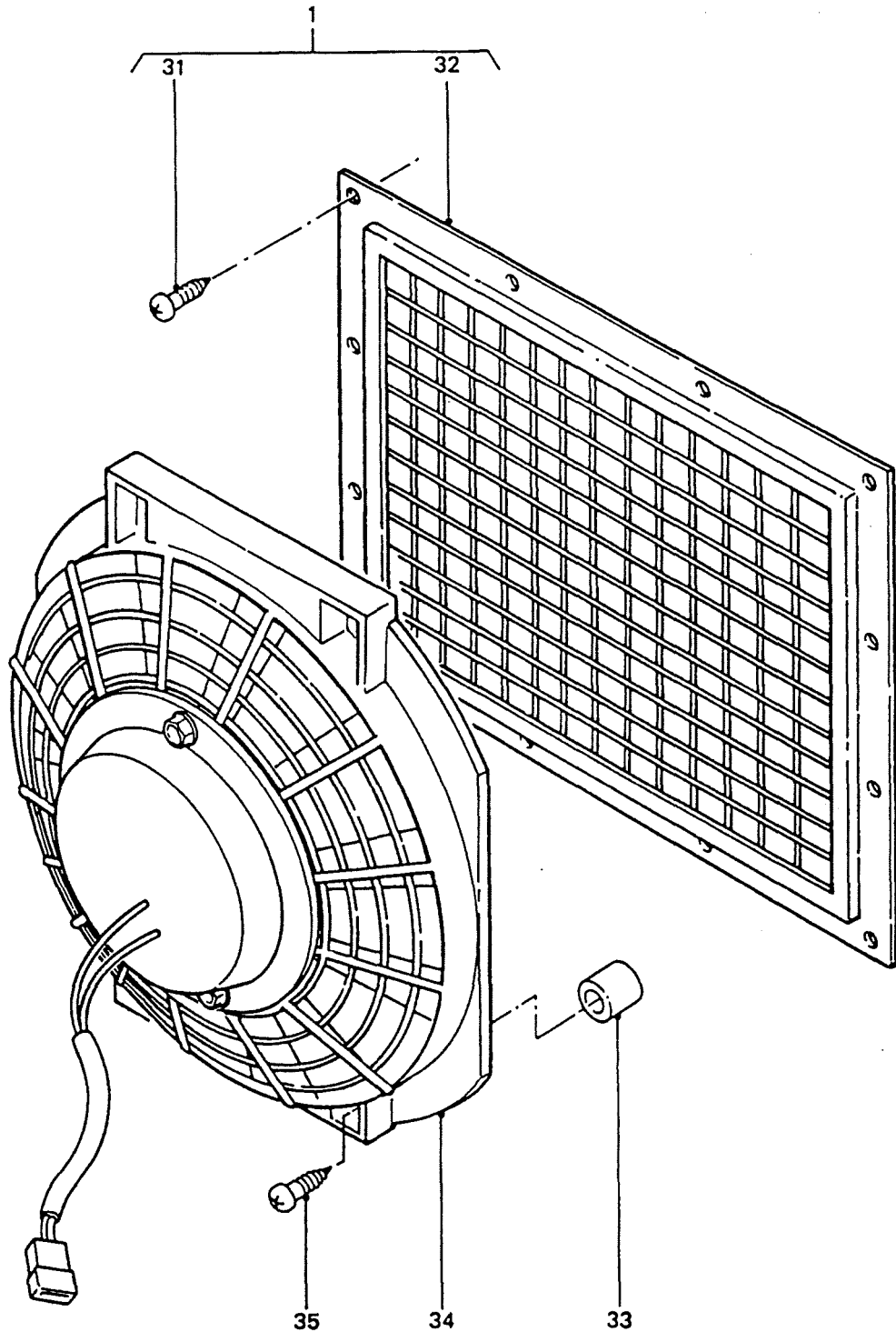
**WEA /1/2 EXTERIOR LOCKER DOOR, MOUNTINGS, FAN & VENT - AIR CONDITIONER - ERV
DERIVATIVE CODE**

<u>ITEM</u>	<u>PART NO.</u>	<u>DESCRIPTION</u>	<u>NSN</u>	<u>2185</u>	<u>2186</u>	<u>2208</u>	<u>2209</u>	<u>2210</u>	<u>2211</u>	<u>2212</u>	<u>2219</u>	<u>CP</u>
13	HYM3	VENT ASSEMBLY -LOCKER DOOR										1
14	NSS											
15	NSS											
16	NSS											
17	NSS											
18	NSS											
19	NSS											
20	NSS											
21	NSS											
22	NSS											
23	HYL9927	POP RIVET										4
24	HYL9945	POP RIVET										4
25	HYM4	HANDLE-VENT LID										1
26	HYM31	SWITCH-MICRO										1
27	SE103101	SCREW										2
28	SF104251	SCREW										10
29	WA104001L	WASHER-PLAIN	5310-99-122-3031									10
30	NY104041L	NUT-NYLOC	5310-99-119-3324									10

CHANGE POINT

ARN INTRODUCTION

GROUP WEA SHEET 3



**EXTERIOR LOCKER DOOR, MOUNTINGS,
FAN & VENT - AIR CONDITIONER - ERV - CONTINUED**

PERENTIE LAND ROVER PARTS LIST

WEA /1/3 EXTERIOR LOCKER DOOR, MOUNTINGS, FAN & VENT - AIR CONDITIONER - ERV

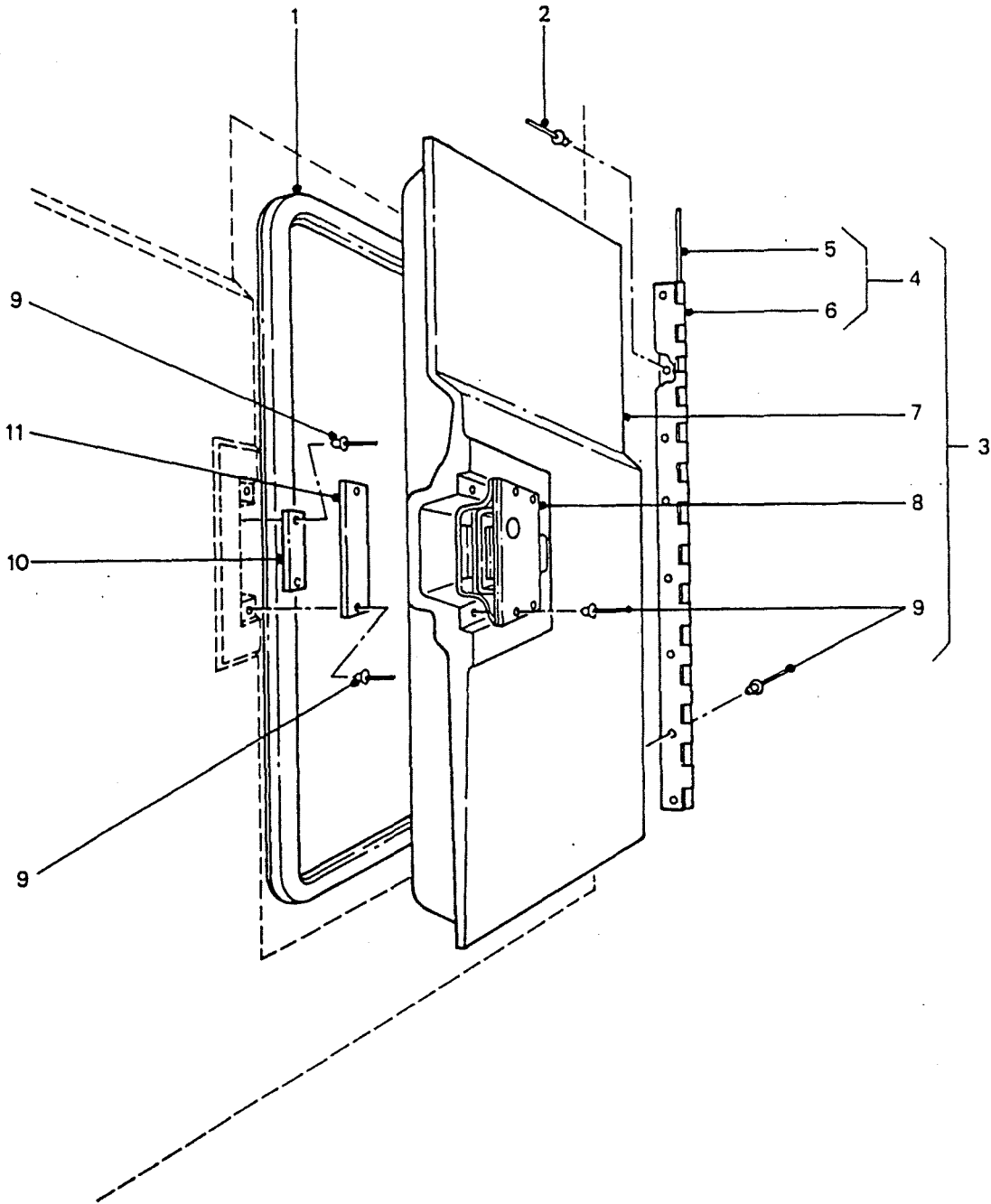
DERIVATIVE CODE

<u>ITEM</u>	<u>PART NO.</u>	<u>DESCRIPTION</u>	<u>NSN</u>	<u>2185</u>	<u>2186</u>	<u>2208</u>	<u>2209</u>	<u>2210</u>	<u>2211</u>	<u>2212</u>	<u>2219</u>	<u>CP</u>
31	AB608047	SCREW										8
32	HYM5	GRILLE-EXTERIOR LOCKER DOOR										1
33	HYM6	SPACER										4
34	HYM7	FAN-COOLING										1
35	AB106301	SCREW										4

CHANGE POINT

ARN INTRODUCTION

GROUP WEB



**EXTERIOR LOCKER DOOR, MOUNTINGS & LOCK
- MODULE - RH - ERV**

PERENTIE LAND ROVER PARTS LIST

WEB /1/1

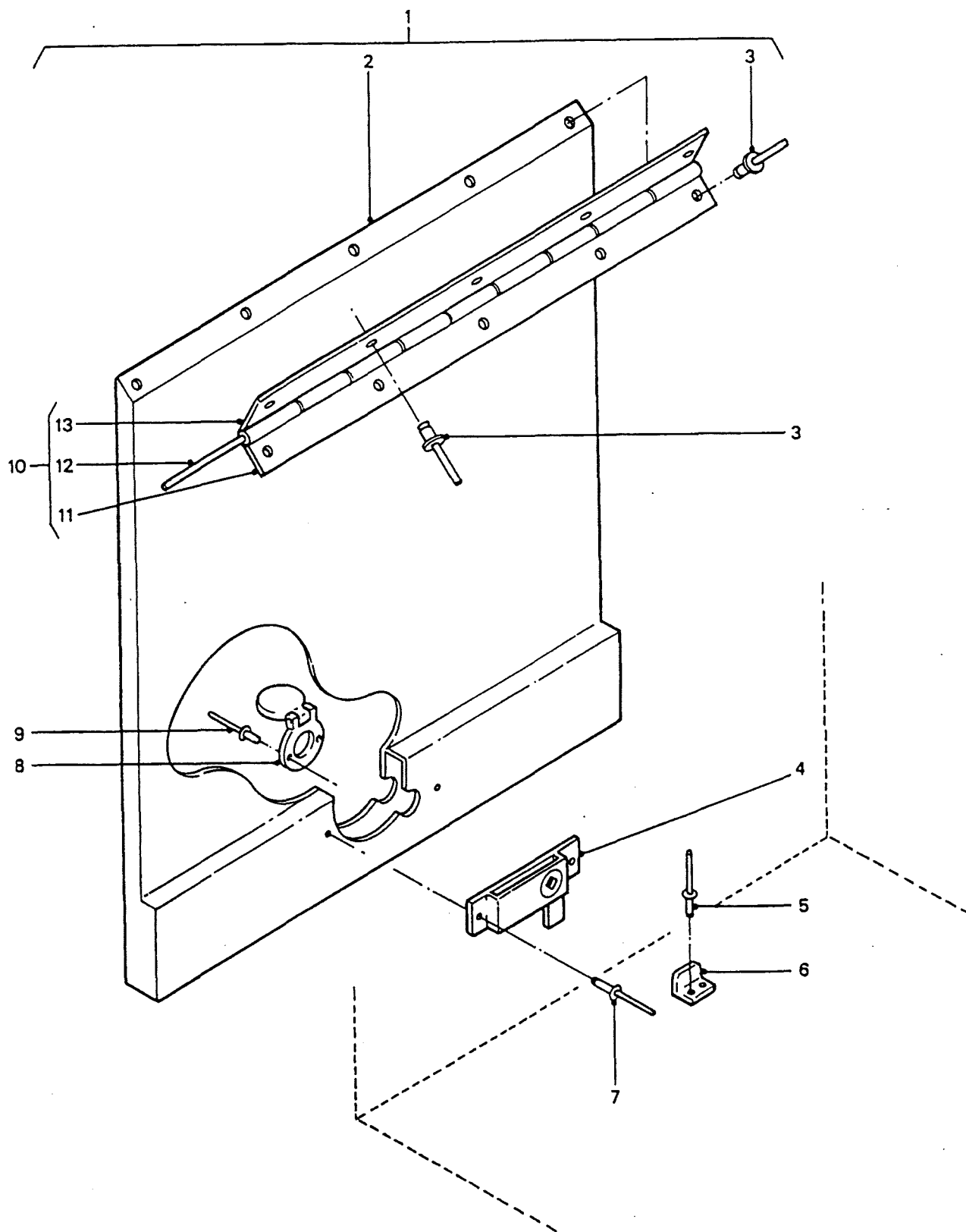
EXTERIOR LOCKER DOOR, MOUNTINGS & LOCK - MODULE - RH - ERV
DERIVATIVE CODE

<u>ITEM</u>	<u>PART NO.</u>	<u>DESCRIPTION</u>	<u>NSN</u>	<u>2185</u>	<u>2186</u>	<u>2208</u>	<u>2209</u>	<u>2210</u>	<u>2211</u>	<u>2212</u>	<u>2219</u>	<u>CP</u>
1	HYL9463	SEAL-DOOR										1
2	RU608123L	POP RIVET	5320-66-128-4634									17
3	HYL9465	DOOR-LOCKER-RH (INCLUDES ITEMS 4-9)										1
4	HYL9467	HINGE-DOOR-RH										1
5	NSS											
6	NSS											
7	NSS											
8	HYL9468	LOCK-LOCKER										1
9	IYM2	POP RIVET										8
10	HYL9469	PLATE-LOCK-100MM LONG										1
11	HYL9470	PLATE-LOCK-150MM LONG										1

CHANGE POINT

ARN INTRODUCTION

GROUP WEC



**EXTERIOR ACCESS DOOR, MOUNTS & LOCK
- AUXILLARY POWER SOCKETS - ERV**

PERENTIE LAND ROVER PARTS LIST

WEC /1/1 EXTERIOR ACCESS DOOR, MOUNTS & LOCK - AUXILLARY POWER SOCKETS - ERV

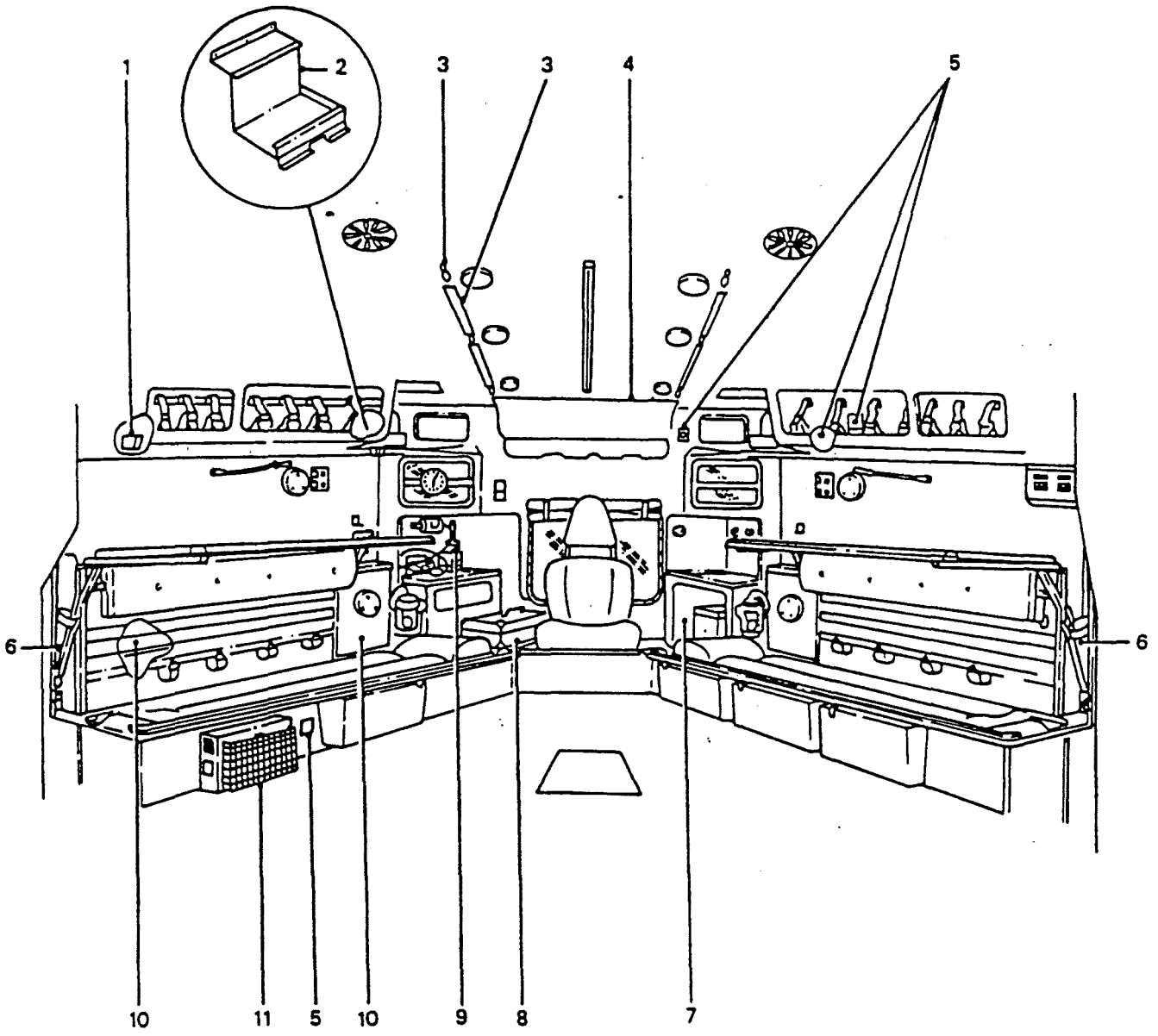
DERIVATIVE CODE

<u>ITEM</u>	<u>PART NO.</u>	<u>DESCRIPTION</u>	<u>NSN</u>	<u>2185</u>	<u>2186</u>	<u>2208</u>	<u>2209</u>	<u>2210</u>	<u>2211</u>	<u>2212</u>	<u>2219</u>	<u>CP</u>
1	HYL9951	DOOR ASSY-EXTERNAL ELECTRICAL SUPPLY ACCESS										1
2	NSS											
3	HYL9952	POP RIVET										10
4	HYL9953	LOCK-DOOR										1
5	HYL9927	POP RIVET										2
6	HYL9954	CLIP-LOCK										1
7	HYL9112	POP RIVET										2
8	HYL9956	ESCUTCHEON										1
9	HYL9993	POP RIVET										2
10	HYL9957	HINGE										1
11	NSS											
12	NSS											
13	NSS											

CHANGE POINT

ARN INTRODUCTION

GROUP WF/1 SHEET 1



INTERIOR FIXTURES & MOUNTING BRACKETS - MODULE - AMBULANCE

PERENTIE LAND ROVER PARTS LIST

WF /1/1

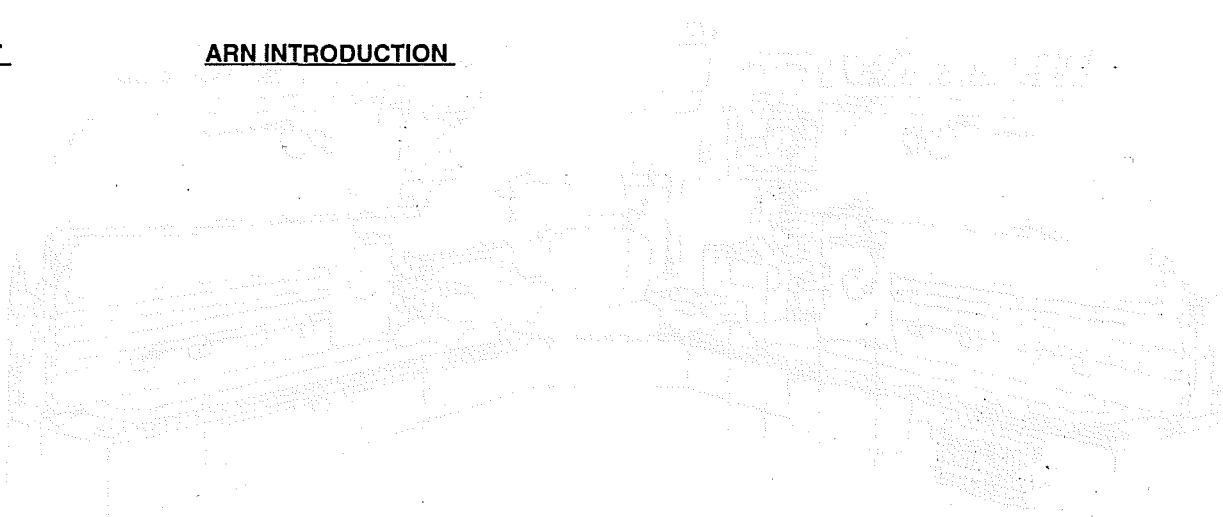
INTERIOR FIXTURES & MOUNTING BRACKETS - MODULE - AMBULANCE

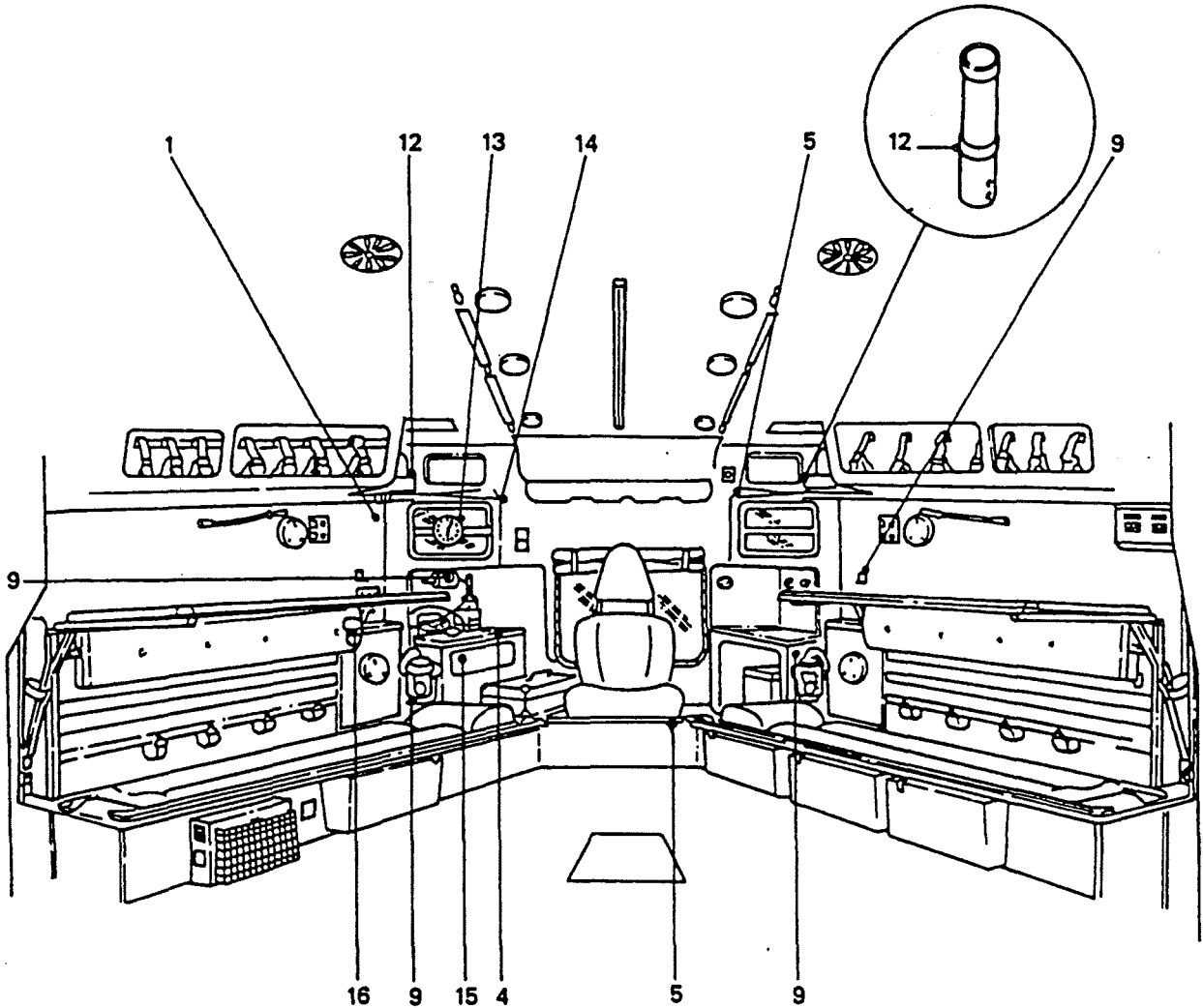
DERIVATIVE CODE

<u>ITEM</u>	<u>PART NO.</u>	<u>DESCRIPTION</u>	<u>NSN</u>	<u>2185</u>	<u>2186</u>	<u>2208</u>	<u>2209</u>	<u>2210</u>	<u>2211</u>	<u>2212</u>	<u>2219</u>	<u>CP</u>
1	NSS	REFER GROUP WFH										
2	NSS	REFER GROUP WFQ										
3	NSS	REFER GROUP WFM										
4	NSS	REFER GROUP WFK										
5	NSS	REFER GROUP WFN										
6	NSS	REFER GROUP WFL										
7	NSS	REFER GROUP WFG										
8	NSS	REFER GROUP WFE										
9	NSS	REFER GROUP WFP										
10	NSS	REFER GROUP WFJ										
11	NSS	REFER GROUP WFR										

CHANGE POINT

ARN INTRODUCTION



GROUP WF/1 SHEET 2

**INTERIOR FIXTURES & MOUNTING BRACKETS
- MODULE - AMBULANCE - CONTINUED**

PERENTIE LAND ROVER PARTS LIST

WF /1/2

INTERIOR FIXTURES & MOUNTING BRACKETS - MODULE - AMBULANCE

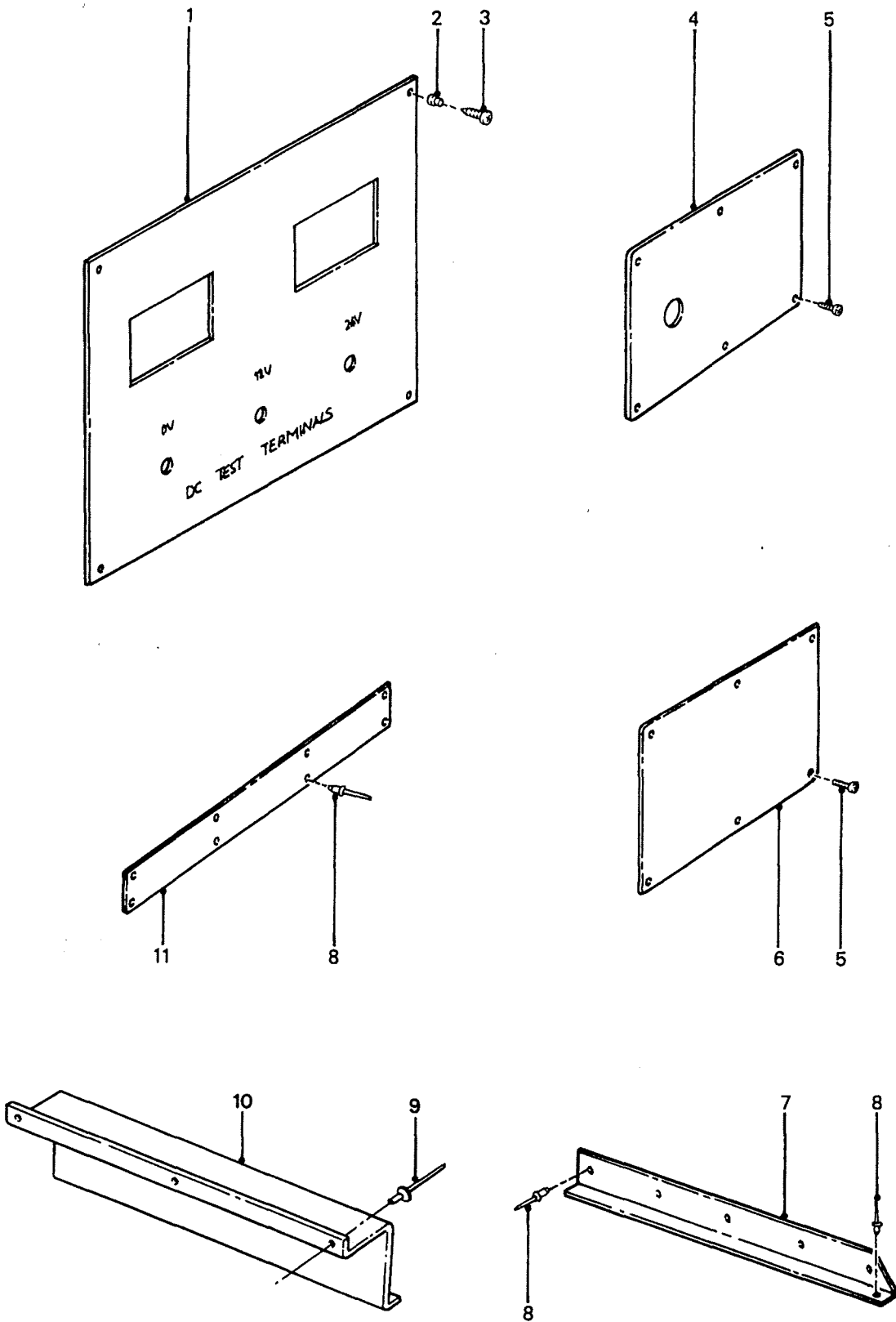
DERIVATIVE CODE

<u>ITEM</u>	<u>PART NO.</u>	<u>DESCRIPTION</u>	<u>NSN</u>	<u>2185</u>	<u>2186</u>	<u>2208</u>	<u>2209</u>	<u>2210</u>	<u>2211</u>	<u>2212</u>	<u>2219</u>	<u>CP</u>
1	NSS	REFER GROUP WFH										
4	NSS	REFER GROUP WFK										
5	NSS	REFER GROUP WFN										
9	NSS	REFER GROUP WFP										
12	NSS	REFER GROUP WFA										
13	NSS	REFER GROUP WFD										
14	NSS	REFER GROUP WFC										
15	NSS	REFER GROUP WFF										
16	NSS	REFER GROUP WFB										

CHANGE POINT

ARN INTRODUCTION

GROUP WF/2 SHEET 1



**INTERIOR FIXTURES – MODULE
– GMV**

PERENTIE LAND ROVER PARTS LIST

WF /2/1 INTERIOR FIXTURES - MODULE - GMV

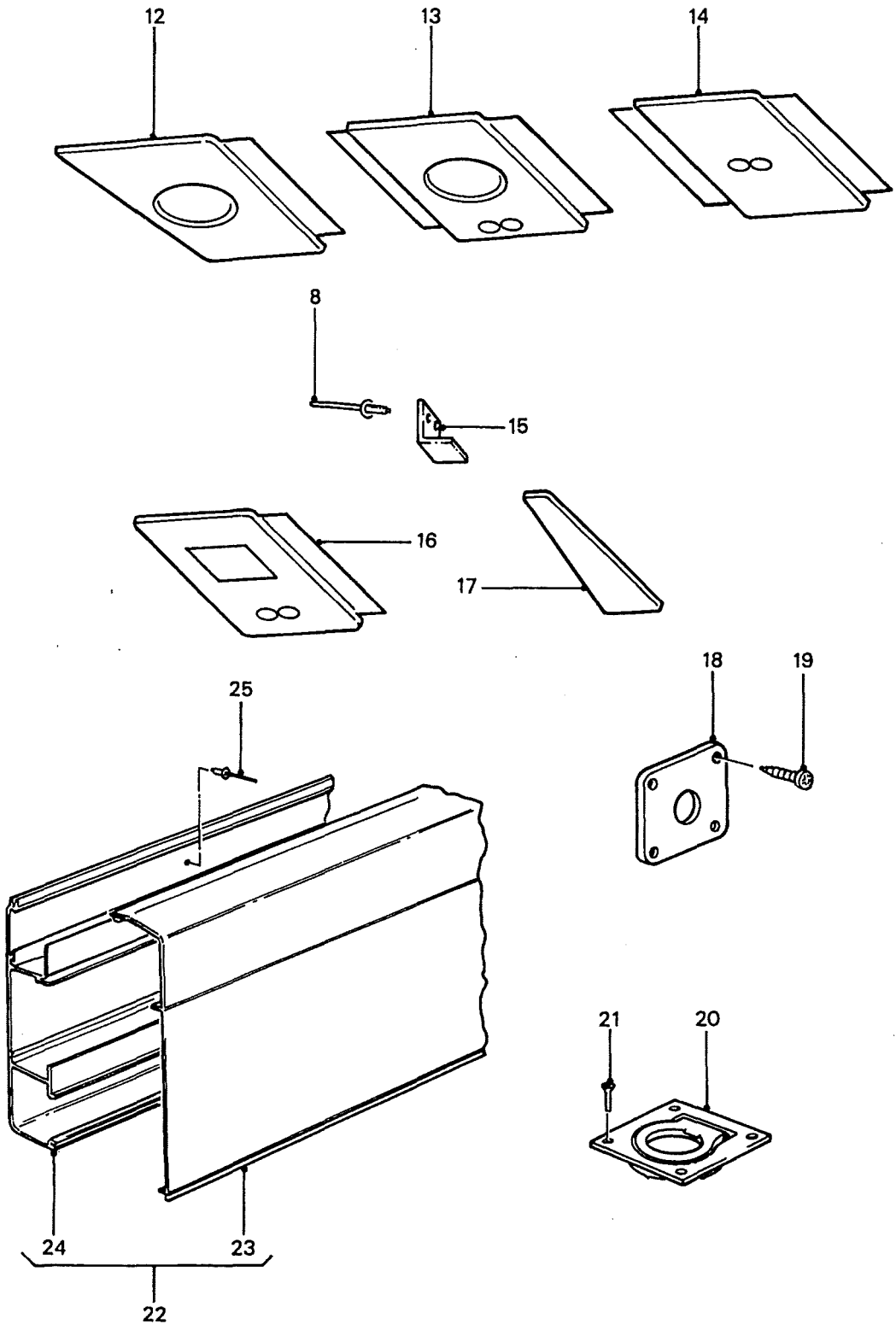
DERIVATIVE CODE

<u>ITEM</u>	<u>PART NO.</u>	<u>DESCRIPTION</u>	<u>NSN</u>	<u>2185</u>	<u>2186</u>	<u>2208</u>	<u>2209</u>	<u>2210</u>	<u>2211</u>	<u>2212</u>	<u>2219</u>	<u>CP</u>
1	HYM123	PANEL-TEST							1			
2	HYL9097	WASHER-CUP							20			
3	AB606081	SCREW							6			
4	HYL9288	PLATE-COVER -REAR PANEL							1			
5	AB606051L	SCREW	5305-66-016-0723						12			
6	HYL9296	PLATE-INSPECTION							2			
7	HYM125	TRIM-FRONT-WALL-RH							1			
	HYM124	TRIM-FRONT WALL-LH							1			
8	HYL9927	POP RIVET							48			
9	HYL9945	POP RIVET							6			
10	HYM315	TRIM DUCTING-FRONT WALL							2			
11	HYM128	PLATE-PROTECTION-RH							1			
	HYM322	PLATE-SIDE DOOR WIRING-DOOR PANEL							2			

CHANGE POINT

ARN INTRODUCTION

GROUP WF/2 SHEET 2



**INTERIOR FIXTURES – MODULE
– GMV – CONTINUED**

PERENTIE LAND ROVER PARTS LIST

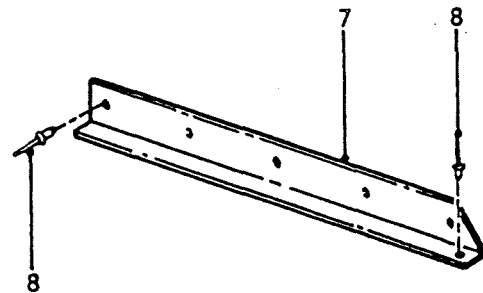
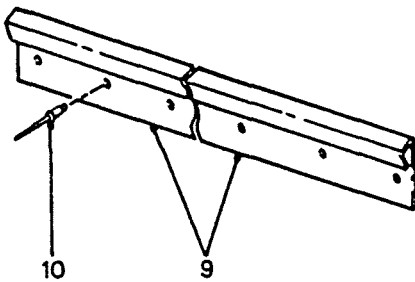
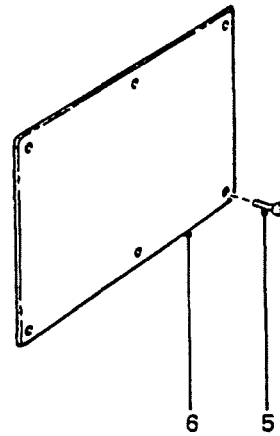
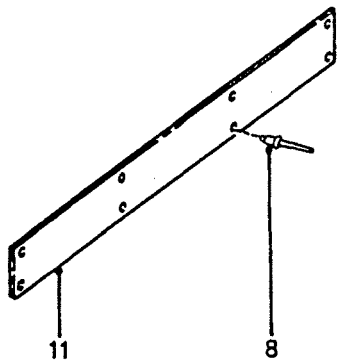
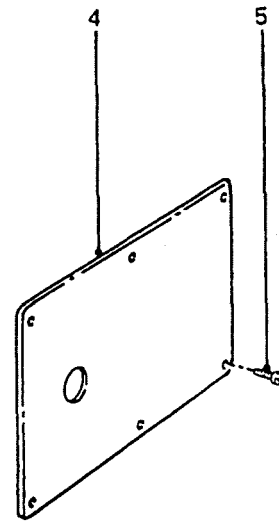
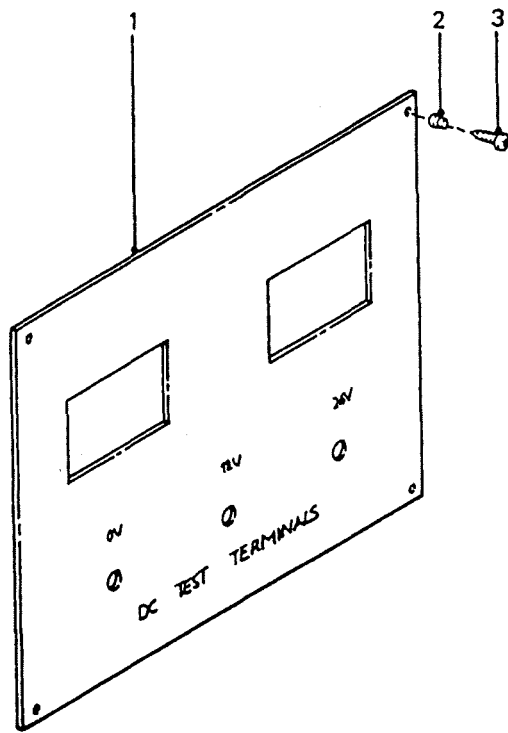
WF /2/2 INTERIOR FIXTURES - MODULE - GMV - CONTINUED

DERIVATIVE CODE

<u>ITEM</u>	<u>PART NO.</u>	<u>DESCRIPTION</u>	<u>NSN</u>	<u>2185</u>	<u>2186</u>	<u>2208</u>	<u>2209</u>	<u>2210</u>	<u>2211</u>	<u>2212</u>	<u>2219</u>	<u>CP</u>
12	HYM316	PANEL-MOUNTING-CEILING LIGHT-LH FRONT								1		
13	HYM317	PANEL-MOUNTING-CEILING LIGHT & SWITCH-RH								1		
14	HYM318	PANEL-MOUNTING-CEILING SWITCH-LH CENTRE								1		
15	HYM141	BRACKET-CEILING MOUNT PANELS								12		
16	HYM319	PANEL-MOUNTING-CEILING SWITCHES & POWER OUTLET								1		
17	HYM320	PANEL-CEILING-RH FRONT								1		
18	HYM321	PLATE-SIDE DOOR WIRING-MODULE-CEILING								2		
19	AB108131	SCREW								16		
20	HYM132	TIE DOWN-WALKWAY								6		
21	SF106401	SCREW	5305-66-128-5217							24		
22	HYM134	DUCTING ASSY-FRONT WALL-970MM LONG								1		
23	NSS											
24	NSS											
25	HYL9965	POP RIVET								8		

CHANGE POINT

ARN INTRODUCTION

GROUP WF/3 SHEET 1

**INTERIOR FIXTURES – MODULE
– ERV**

PERENTIE LAND ROVER PARTS LIST

WF /3/1

INTERIOR FIXTURES - MODULE - ERV

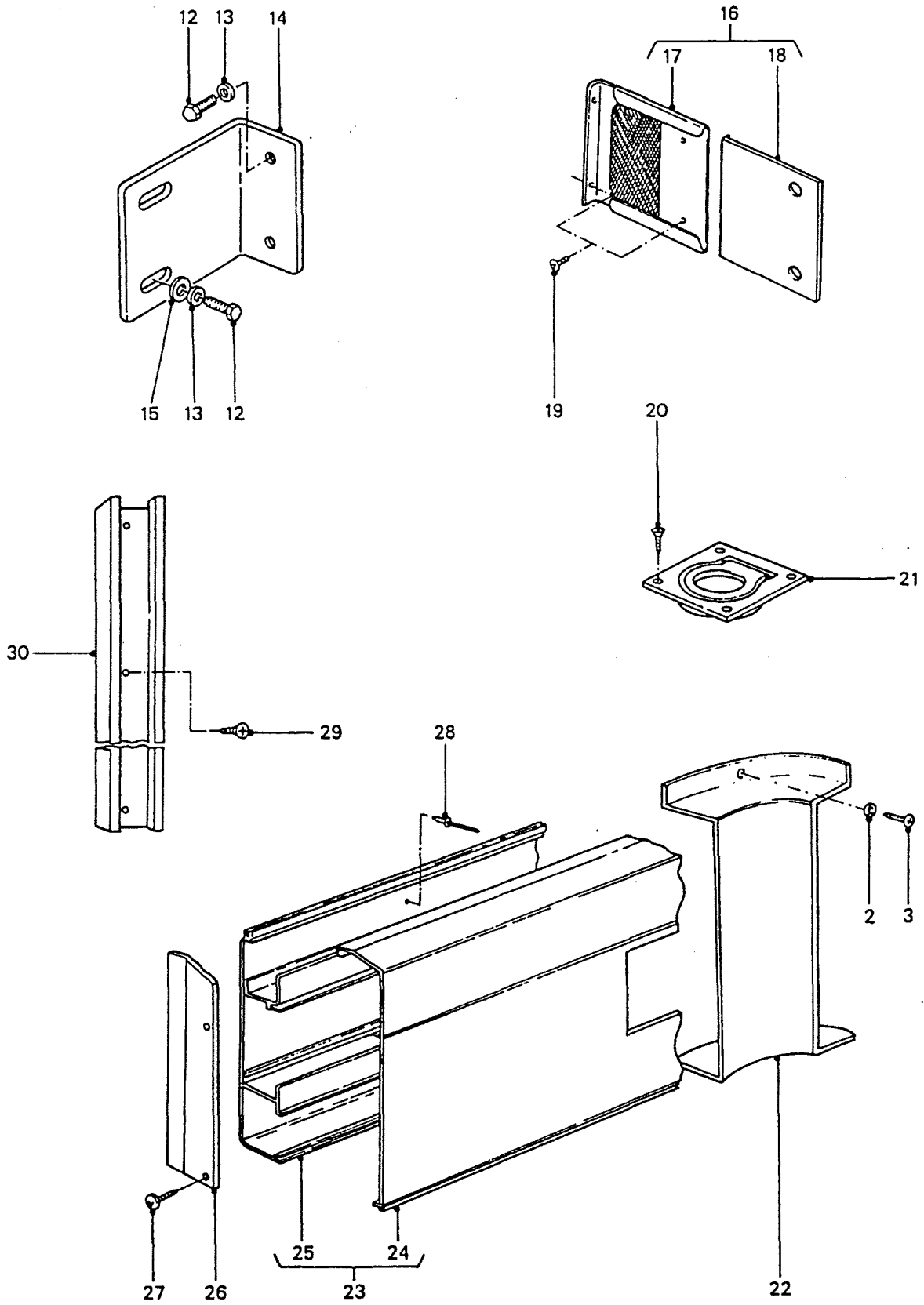
DERIVATIVE CODE

<u>ITEM</u>	<u>PART NO.</u>	<u>DESCRIPTION</u>	<u>NSN</u>	<u>2185</u>	<u>2186</u>	<u>2208</u>	<u>2209</u>	<u>2210</u>	<u>2211</u>	<u>2212</u>	<u>2219</u>	<u>CP</u>
1	HYM123	PANEL-TEST										1
2	HYL9097	WASHER-CUP										20
3	AB606081	SCREW										6
4	HYL9288	PLATE-COVER -REAR PANEL										1
5	AB606051L	SCREW	5305-66-016-0723									12
6	HYL9296	PLATE-INSPECTION										2
7	HYM124	TRIM-FRONT WALL-LH										1
	HYM125	TRIM-FRONT WALL-RH										1
8	HYL9927	POP RIVET										56
9	HYM126	PLATE-RETAINING-LH										1
	HYM127	PLATE-RETAINING-RH										1
10	HYL9945	RIVET										20
11	HYM128	PLATE-PROTECTION-RH										1

CHANGE POINT

ARN INTRODUCTION

GROUP WF/3 SHEET 2



**INTERIOR FIXTURES – MODULE
– ERV – CONTINUED**

PERENTIE LAND ROVER PARTS LIST

WF /3/2 INTERIOR FIXTURES - MODULE - ERV - CONTINUED

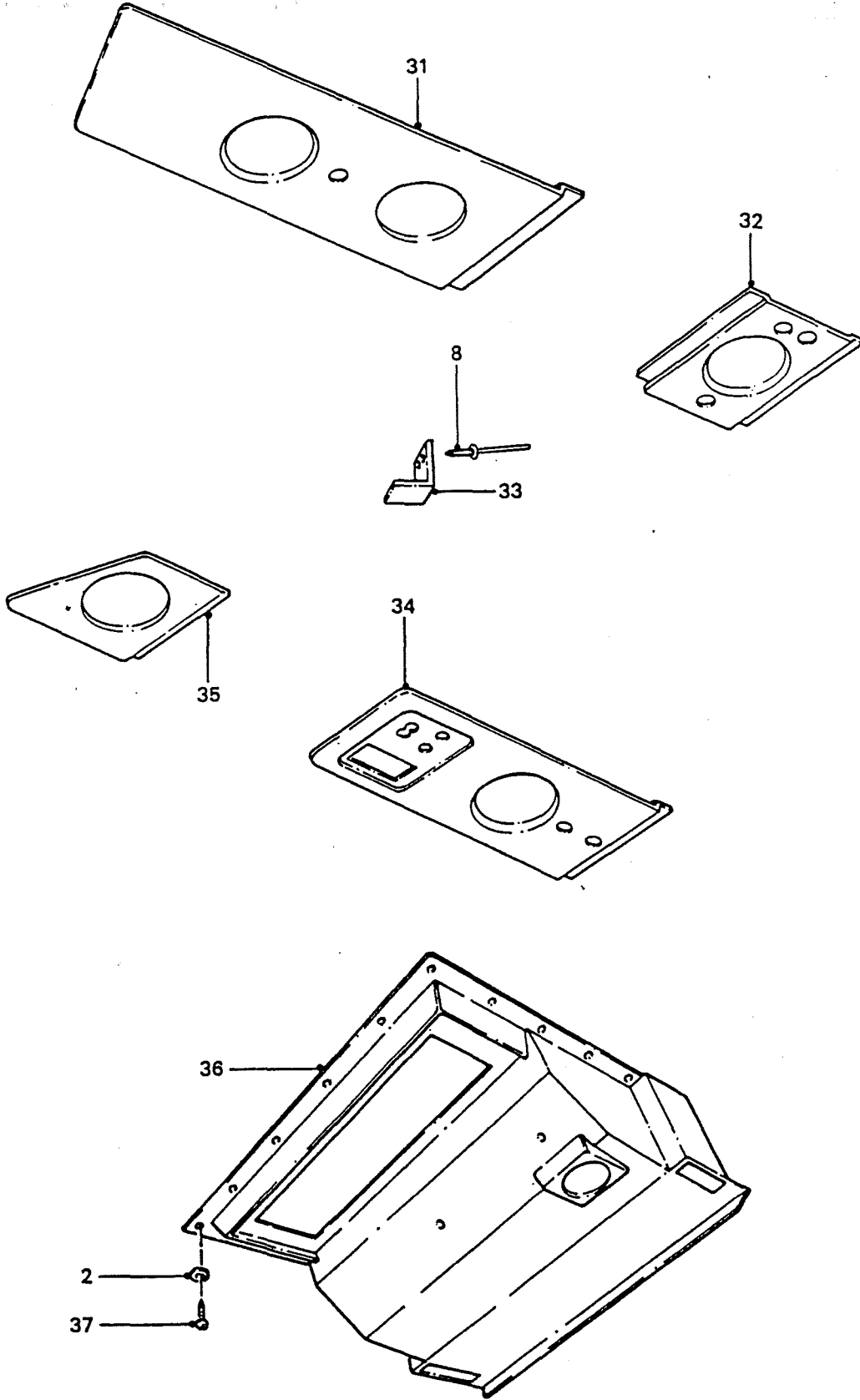
DERIVATIVE CODE

<u>ITEM</u>	<u>PART NO.</u>	<u>DESCRIPTION</u>	<u>NSN</u>	<u>2185</u>	<u>2186</u>	<u>2208</u>	<u>2209</u>	<u>2210</u>	<u>2211</u>	<u>2212</u>	<u>2219</u>	<u>CP</u>
12	SH108031	SCREW										8
13	WM108001L	WASHER-LOCK	5310-99-135-9302									8
14	HYM129	BRACKET-RETAINING										2
15	WA108051L	WASHER-PLAIN	5310-99-122-6475									4
16	HYM130	VENT ASSY-RH										1
17	NSS											
18	HYM131	SHUTTER-VENT										1
19	AB608047	SCREW										4
20	SF106401	SCREW	5305-66-128-5217									24
21	HYM132	TIE-DOWN-WALKWAY										6
22	HYM133	MOULDING-COVER-LH FRONT CORNER										1
23	HYM135	DUCTING ASSY-SIDE WALL-2080MM LONG										1
	HYM134	DUCTING ASSY-FRONT WALL-970MM LONG										1
24	NSS											
25	NSS											
26	HYM136	PLATE-END-LH WALL										1
27	AB604031L	SCREW										2
28	HYL9965	POP RIVET										16
29	AC608101	SCREW										24
30	HYM137	TRACK-WALL-LH										3
	HYM138	TRACK-WALL-RH										3

CHANGE POINT

ARN INTRODUCTION

GROUP WF/3 SHEET 3



**INTERIOR FIXTURES - MODULE
- ERV - CONTINUED**

PERENTIE LAND ROVER PARTS LIST

WF /3/3

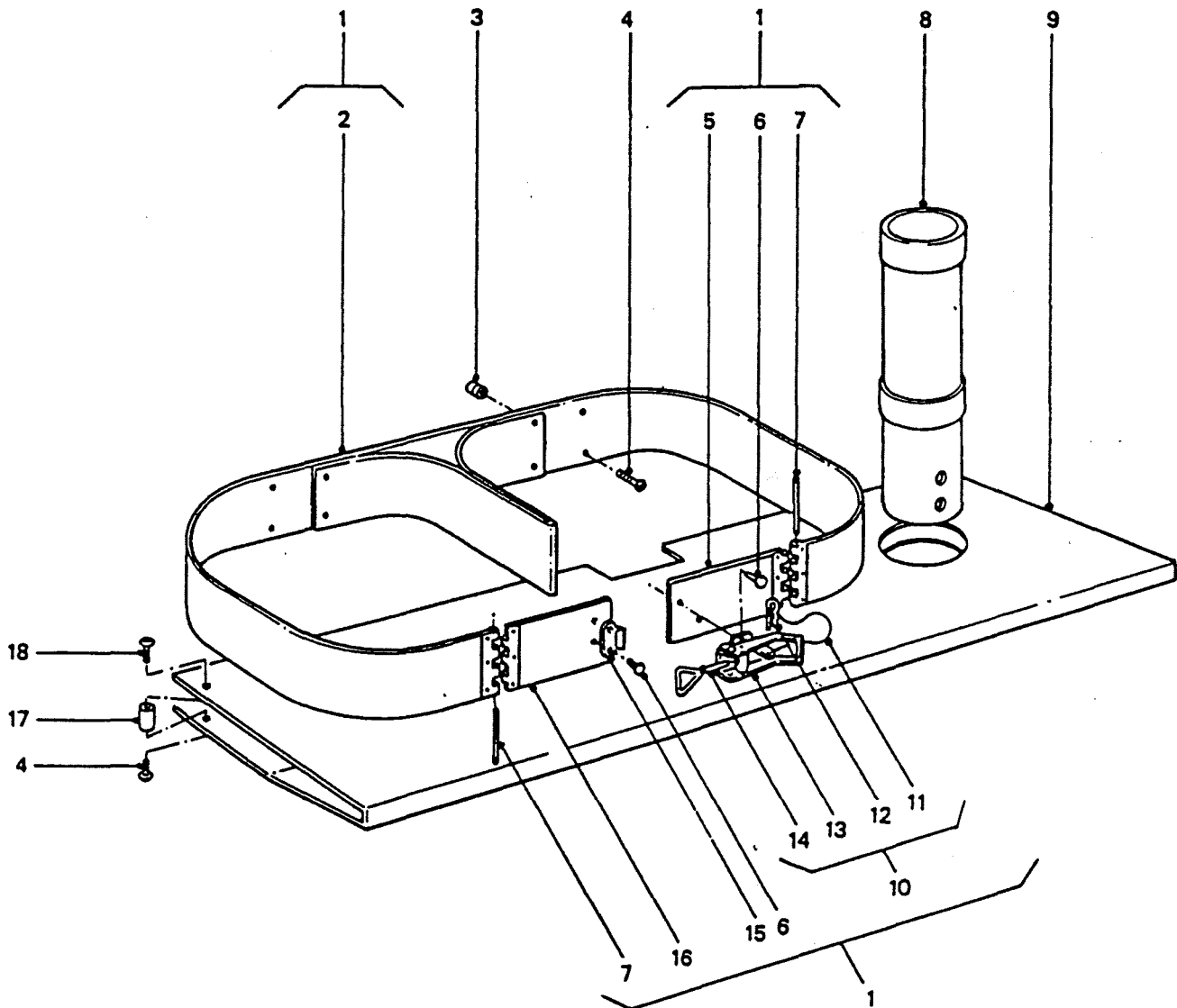
INTERIOR FIXTURES - MODULE - ERV - CONTINUED

DERIVATIVE CODE

<u>ITEM</u>	<u>PART NO.</u>	<u>DESCRIPTION</u>	<u>NSN</u>	<u>2185</u>	<u>2186</u>	<u>2208</u>	<u>2209</u>	<u>2210</u>	<u>2211</u>	<u>2212</u>	<u>2219</u>	<u>CP</u>
31	HYM139	PANEL-MOUNTING-CEILING LIGHTS-RH										1
32	HYM140	PANEL-MOUNTING-CEILING LIGHT & SWITCHES-LH										1
33	HYM141	BRACKET-PANELS										16
34	HYM142	PANEL-MOUNTING-CEILING LIGHT & SWITCHES-RH										1
35	HYM143	PANEL-MOUNTING-CEILING LIGHT-LH										1
36	HYM144	COVER-AIR CONDENSOR TUB										1
37	AD608051	SCREW										14

CHANGE POINT

ARN INTRODUCTION

GROUP WFA/1**UPPER SHELF FITTINGS AND MOUNTINGS
- AMBULANCE**

PERENTIE LAND ROVER PARTS LIST

WFA /1/1 UPPER SHELF FITTINGS AND MOUNTINGS - AMBULANCE

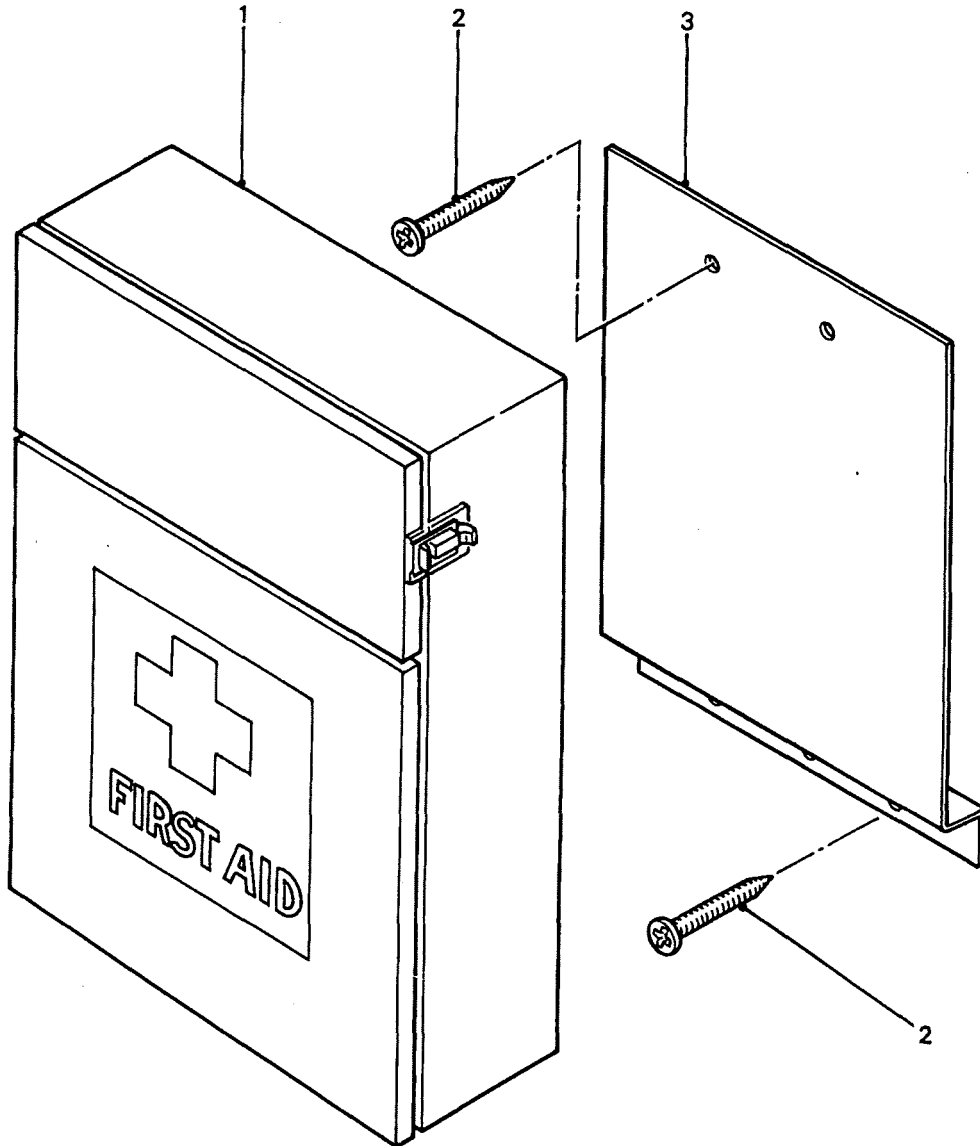
DERIVATIVE CODE

<u>ITEM</u>	<u>PART NO.</u>	<u>DESCRIPTION</u>	<u>NSN</u>	<u>2185</u>	<u>2186</u>	<u>2208</u>	<u>2209</u>	<u>2210</u>	<u>2211</u>	<u>2212</u>	<u>2219</u>	<u>CP</u>
1	HYL9210	CLAMP ASSY				2						
2	NSS											
3	NN106021	NUTSERT	5310-99-138-4838			10						
4	AB606031L	SCREW	5305-99-901-9736			14						
6	RM608036	POP RIVET				5						
7	NSS											
8	HYL9211	HOLDER-CUP				1						
9	HYL9212	SHELF-RH				1						
	HYL9213	SHELF-LH				1						
10	HYL9119	CATCH ASSY	5340-66-128-5872			2						
11	NSS											
12	HYL9986	"R" CLIP				1						
13	NSS											
14	NSS											
15	HYL9214	HOOK				1						
16	NSS											
17	NN104021	NUTSERT				4						
18	AB606041L	SCREW	5305-99-950-4416			4						

CHANGE POINT

ARN INTRODUCTION

GROUP WFA/2



**FIRST AID LOCKER AND MOUNTINGS
- GMV**

PERENTIE LAND ROVER PARTS LIST

WFA /2/1 FIRST AID LOCKER AND MOUNTINGS - GMV

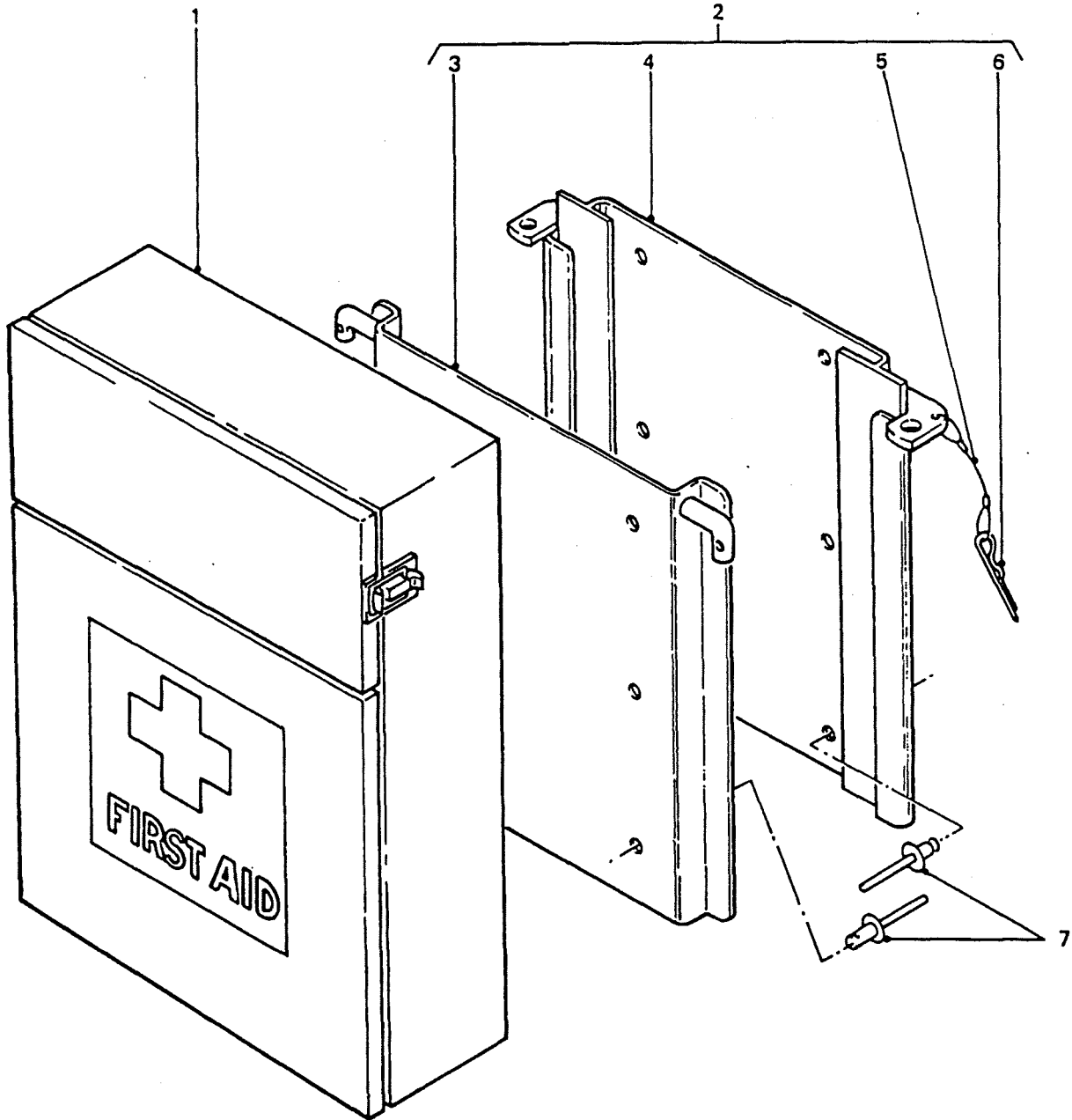
DERIVATIVE CODE

<u>ITEM</u>	<u>PART NO.</u>	<u>DESCRIPTION</u>	<u>NSN</u>	<u>2185</u>	<u>2186</u>	<u>2208</u>	<u>2209</u>	<u>2210</u>	<u>2211</u>	<u>2212</u>	<u>2219</u>	<u>CP</u>
1	NSS											
2	AC606041L	SCREW	5305-99-135-7506							9		
3	HYM403	BRACKET-MOUNTING- FIRST AID LOCKER								1		

CHANGE POINT

ARN INTRODUCTION

GROUP WFA/3



**FIRST AID LOCKER AND MOUNTINGS
- ERV**

PERENTIE LAND ROVER PARTS LIST

WFA /3/1 FIRST AID LOCKER AND MOUNTINGS - ERV

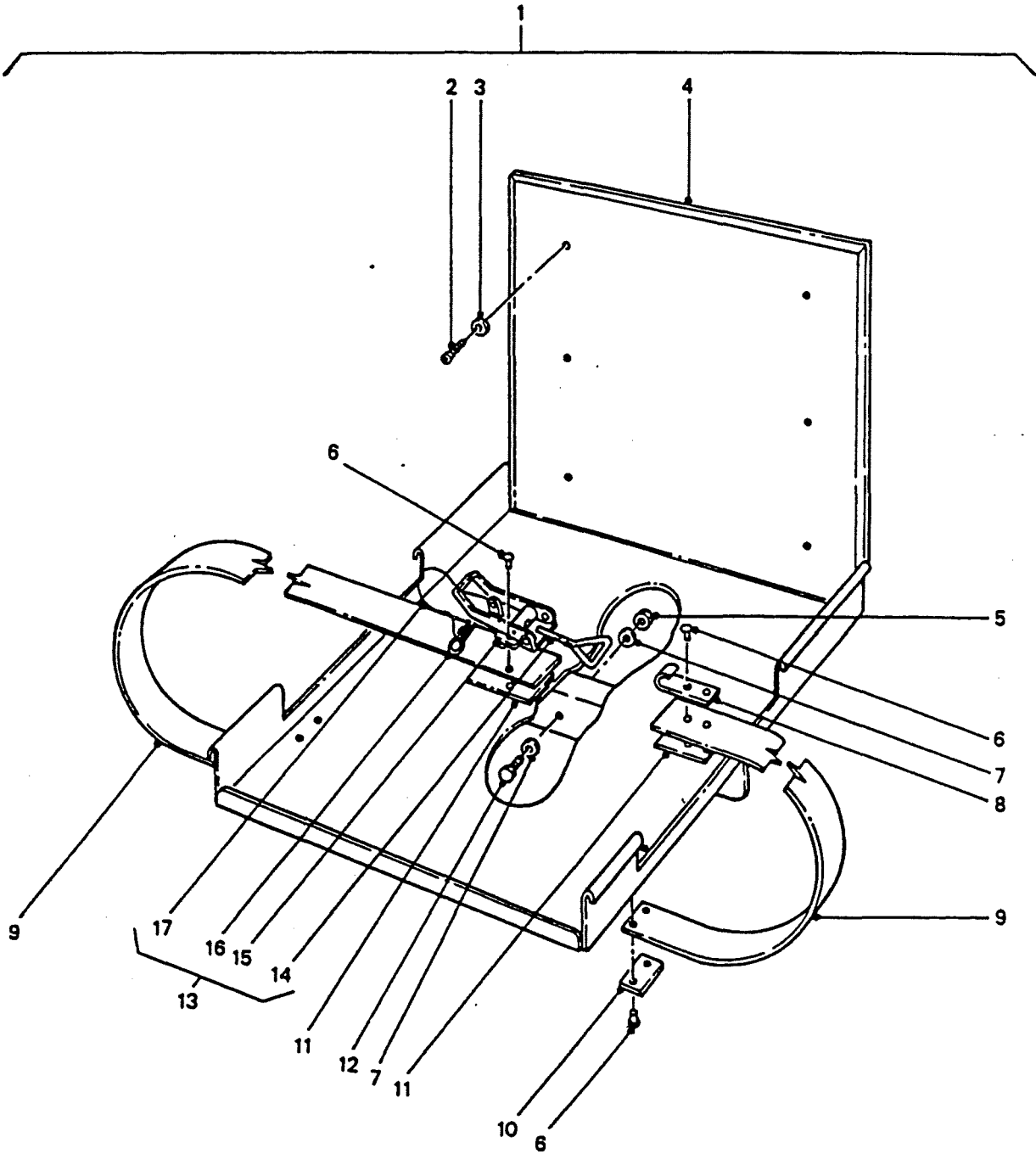
DERIVATIVE CODE

<u>ITEM</u>	<u>PART NO.</u>	<u>DESCRIPTION</u>	<u>NSN</u>	<u>2185</u>	<u>2186</u>	<u>2208</u>	<u>2209</u>	<u>2210</u>	<u>2211</u>	<u>2212</u>	<u>2219</u>	<u>CP</u>
1	NSS											
2	NSS											
3	HYL9984	BRACKET-MOUNTING- FIRST AID LOCKER								1		
4	HYL9985	BRACKET-MOUNTING- DOOR-FIRST AID LOCKER								1		
5	NSS											
6	HYL9986	"R" CLIP								2		
7	HYL9945	RIVET								12		

CHANGE POINT

ARN INTRODUCTION



GROUP WFB/1

**DEFIBRILLATOR MOUNTING BRACKET ASSEMBLY
- AMBULANCE**

PERENTIE LAND ROVER PARTS LIST

WFB /1/1

DEFIBRILLATOR MOUNTING BRACKET ASSEMBLY - AMBULANCE

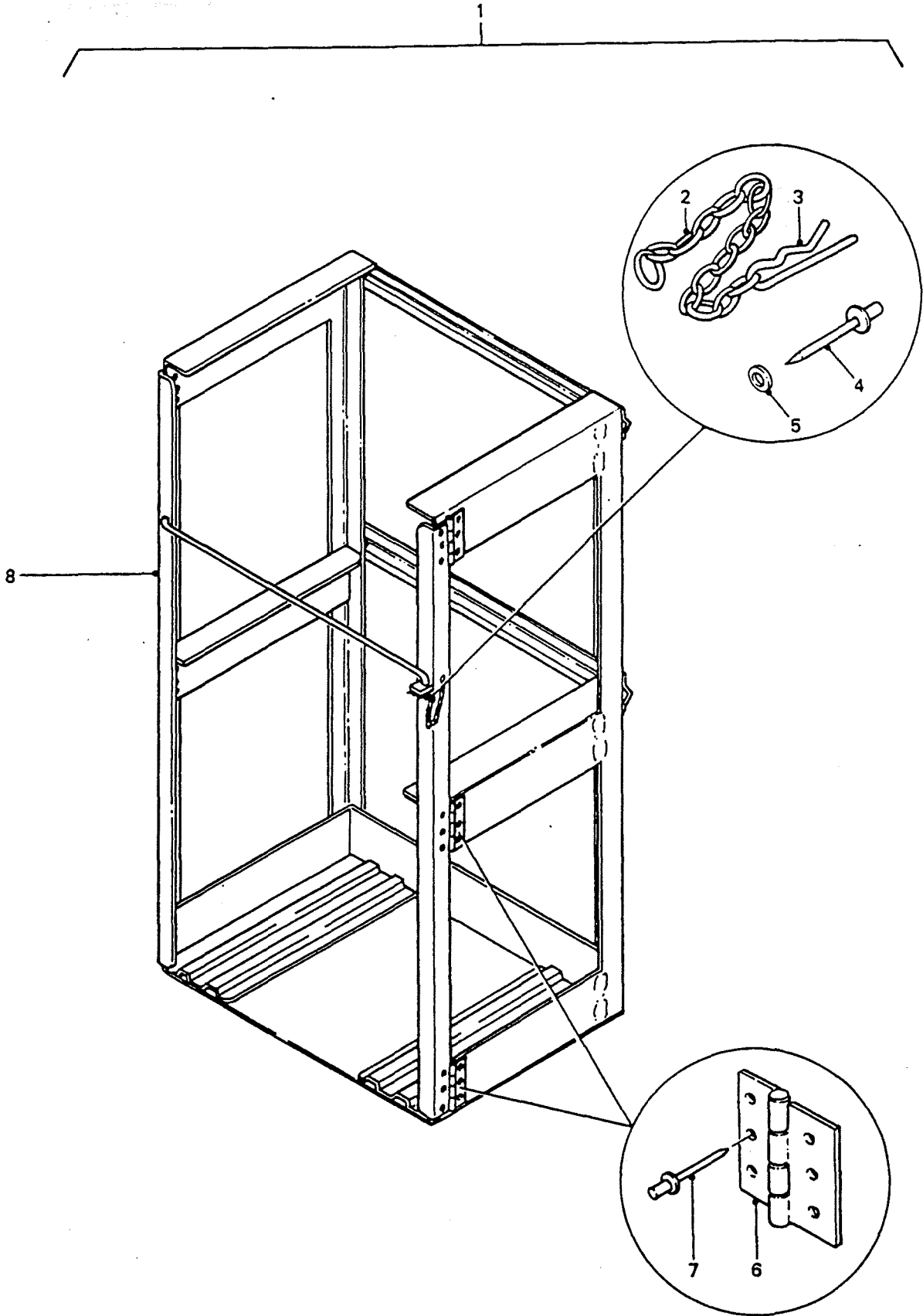
DERIVATIVE CODE

<u>ITEM</u>	<u>PART NO.</u>	<u>DESCRIPTION</u>	<u>NSN</u>	<u>2185</u>	<u>2186</u>	<u>2208</u>	<u>2209</u>	<u>2210</u>	<u>2211</u>	<u>2212</u>	<u>2219</u>	<u>CP</u>
1	HYL9115	MOUNTING ASSY-DEFIBRILLATOR (INCLUDES ITEMS 4,6,8-11,13)										1
2	AC606051	SCREW										6
3	HYL9097	WASHER-CUP										6
4	NSS											
5	FN108041	NUT	5310-99-499-8033									3
6	NSS											
7	WA108051L	WASHER-PLAIN	5310-99-122-6475									3
8	HYL9116	HOOK-CATCH										1
9	NSS											
10	HYL9117	PLATE REINFORCING-STRAP										2
11	HYL9118	PLATE-BACKING-STRAP										2
12	FS108251	SCREW	5305-99-122-5367									3
13	HYL9119	CATCH ASSY (INCLUDES ITEMS 14-17)	5340-66-128-5872									1
14	NSS											
15	NSS											
16	NSS											
17	NSS											

CHANGE POINT

ARN INTRODUCTION

GROUP WFB/2



**CES STOWAGE FRAME ASSEMBLY
- GMV AND ERV**

PERENTIE LAND ROVER PARTS LIST

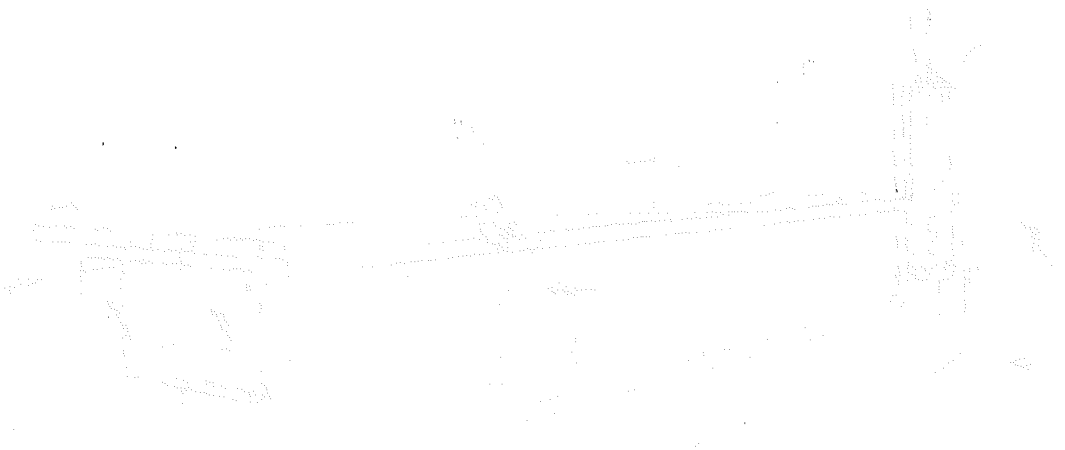
WFB /2/1 CES STOWAGE FRAME ASSEMBLY - GMV AND ERV

DERIVATIVE CODE

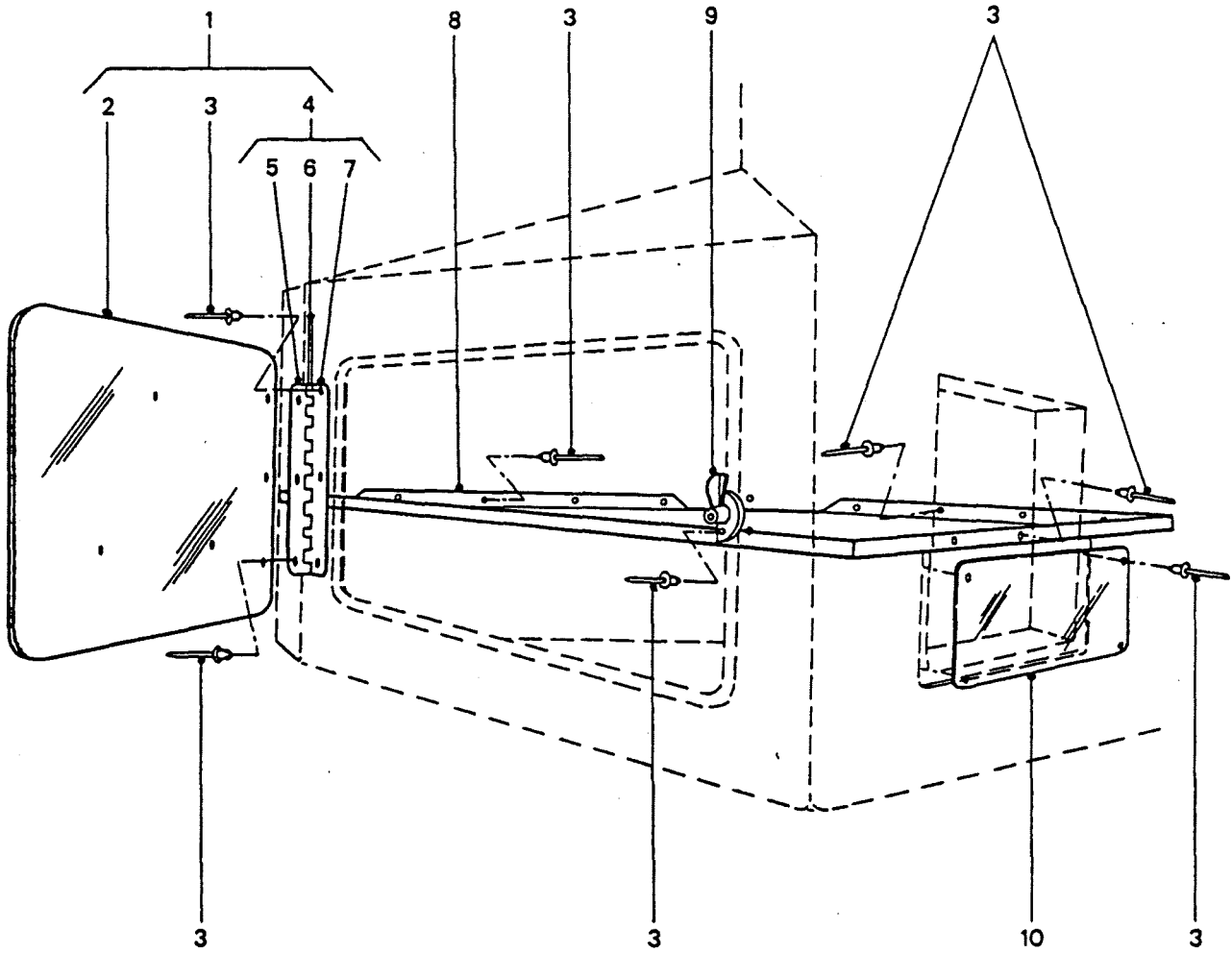
<u>ITEM</u>	<u>PART NO.</u>	<u>DESCRIPTION</u>	<u>NSN</u>	<u>2185</u>	<u>2186</u>	<u>2208</u>	<u>2209</u>	<u>2210</u>	<u>2211</u>	<u>2212</u>	<u>2219</u>	<u>CP</u>
1	HYL9958	FRAME-STOWAGE						1	1			
2	NSS											
3	HYL9959	"R" CLIP						1	1			
4	HYL9945	POP RIVET						1	1			
5	WA702101L	WASHER-PLAIN						1	1			
6	HYL9960	HINGE						6	6			
7	RM612040	POP RIVET						36	36			
8	HYL9961	BAR-CROSS						1	1			

CH/ E POINT

ARN INTRODUCTION



GROUP WFC/1



**MEDICAL LOCKER AND FITTINGS
- AMBULANCE**

PERENTIE LAND ROVER PARTS LIST

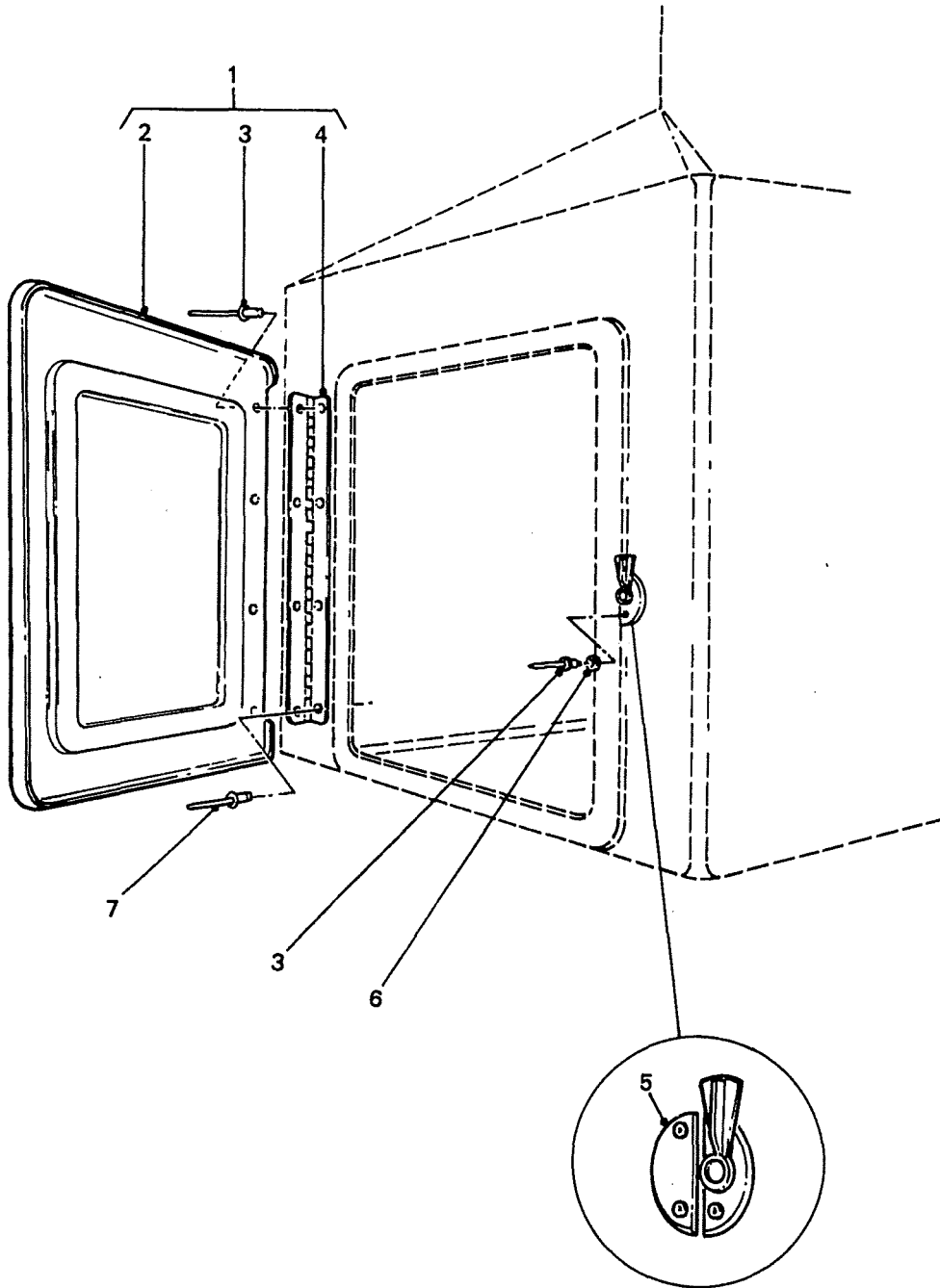
WFC /1/1 MEDICAL LOCKER AND FITTINGS - AMBULANCE

DERIVATIVE CODE

<u>ITEM</u>	<u>PART NO.</u>	<u>DESCRIPTION</u>	<u>NSN</u>	<u>2185</u>	<u>2186</u>	<u>2208</u>	<u>2209</u>	<u>2210</u>	<u>2211</u>	<u>2212</u>	<u>2219</u>	<u>CP</u>
1	NSS	<i>HYL 9339 Door - HINGE ASSY</i>										2
2	NSS											
3	RU608123L	POP RIVET	5320-66-128-4634									16
4	HYL9340	HINGE-LOCKER DOOR (INCLUDES ITEMS 5-7)										2
5	NSS											
6	NSS											
7	NSS											
8	HYL9341	SHELF-LOCKER										1
9	HYL9342	CATCH-LOCKER	5340-66-128-5873									2
10	HYL9343	COVER-PERSPEX										1
	HYL9339	DOOR & HINGE ASSY-MEDICAL LOCKER										2

CHANGE POINT

ARN INTRODUCTION

GROUP WFC/2

**PUBLICATION STOWAGE LOCKER AND FITTINGS
- GMV AND ERV**

PERENTIE LAND ROVER PARTS LIST

WFC /2/1 PUBLICATION STOWAGE LOCKER AND FITTINGS - GMV AND ERV

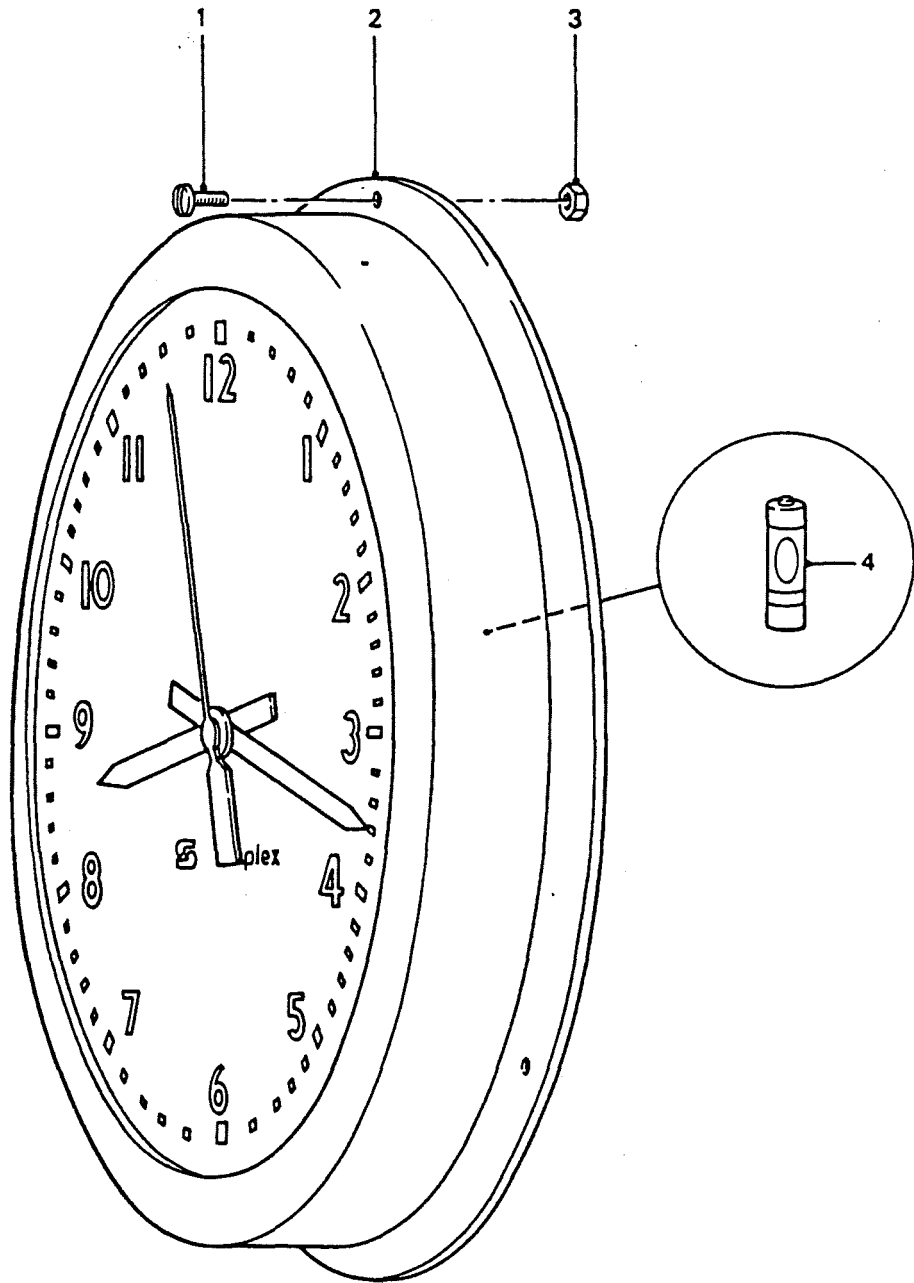
DERIVATIVE CODE

<u>ITEM</u>	<u>PART NO.</u>	<u>DESCRIPTION</u>	<u>NSN</u>	<u>2185</u>	<u>2186</u>	<u>2208</u>	<u>2209</u>	<u>2210</u>	<u>2211</u>	<u>2212</u>	<u>2219</u>	<u>CP</u>
1	HYM257	DOOR ASSY-LH-LOCKER						1	1			
	HYM258	DOOR ASSY-RH-LOCKER						1	1			
2	NSS											
3	HYL9927	POP RIVET						8	8			
4	HYM259	HINGE						2	2			
5	HYM261	FASTENER						2	2			
6	HYM301	WASHER						4	4			
7	HYM302	POP RIVET						4	4			
	HYM260	PLATE-BACKING-HINGE TO DOOR AND BODY						2	2			

CHANGE POINT

ARN INTRODUCTION

GROUP WFD/1



**CLOCK
- AMBULANCE**

PERENTIE LAND ROVER PARTS LIST

WFD /1/1 CLOCK - AMBULANCE

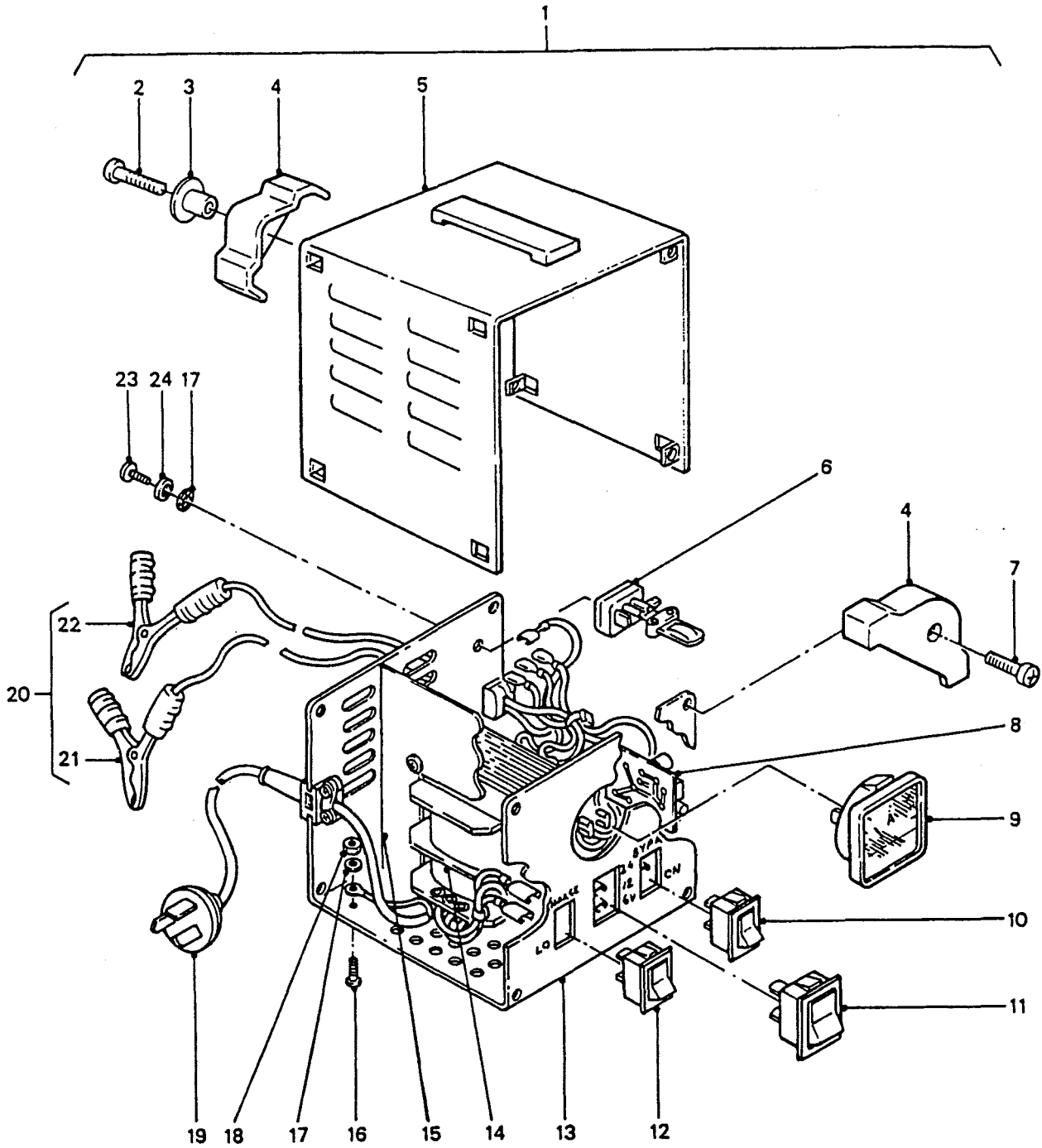
DERIVATIVE CODE

<u>ITEM</u>	<u>PART NO.</u>	<u>DESCRIPTION</u>	<u>NSN</u>	<u>2185</u>	<u>2186</u>	<u>2208</u>	<u>2209</u>	<u>2210</u>	<u>2211</u>	<u>2212</u>	<u>2219</u>	<u>CP</u>
1	HYL9091	SCREW							3			
2	HYL9090	CLOCK							1			
3	HYL9092	NUT-ACORN							3			
4	NSS											

CHANGE POINT

ARN INTRODUCTION

GROUP WFD/2



BATTERY CHARGER ASSEMBLY - GMV AND ERV

PERENTIE LAND ROVER PARTS LIST

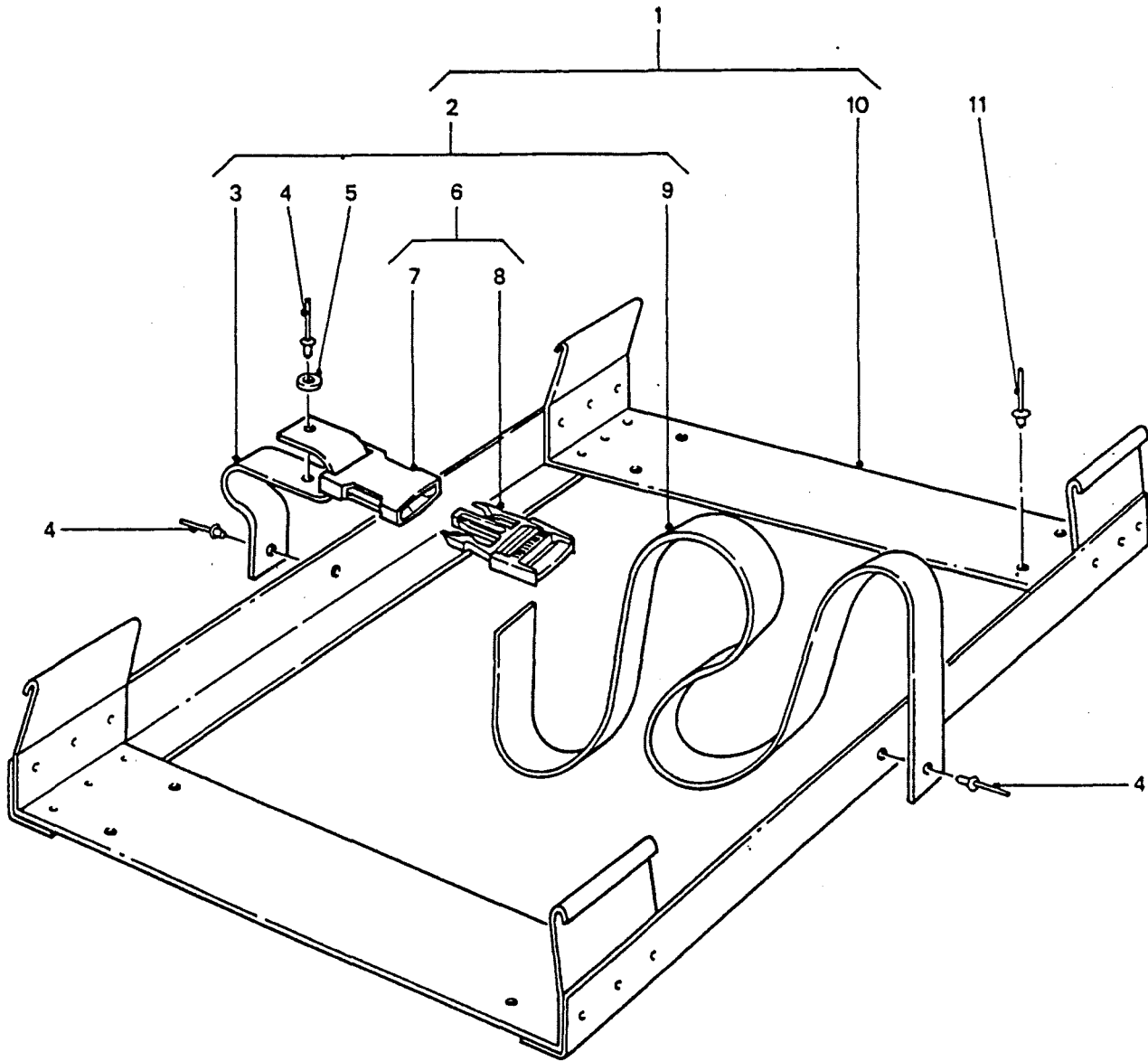
WFD /2/1 BATTERY CHARGER ASSEMBLY - GMV AND ERV

DERIVATIVE CODE

ITEM	PART NO.	DESCRIPTION	NSN	2185	2186	2208	2209	2210	2211	2212	2219	CP
1	HYM262	BATTERY CHARGER (INCLUDES ITEMS 2-24)	6130-66-128-6073					1		1		
2	HYM297	SCREW						4		4		
3	NSS											
4	NSS											
5	NSS											
6	NSS											
7	HYM298	SCREW						4		4		
8	NSS											
9	NSS											
10	NSS											
11	NSS											
12	NSS											
13	NSS											
14	NSS											
15	NSS											
16	SE103101	SCREW						1		1		
17	HYM299	WASHER						3		3		
18	NH103041L	NUT						2		2		
19	NSS											
20	NSS											
21	NSS											
22	NSS											
23	SE103201L	SCREW						1		1		
24	WA103001L	WASHER-PLAIN	5310-99-122-3030					1		1		

CHANGE POINT

ARN INTRODUCTION

GROUP WFE/1

**MEDICAL ASSISTANT'S CASE MOUNTING BRACKET
ASSEMBLY – AMBULANCE**

PERENTIE LAND ROVER PARTS LIST

WFE /1/1

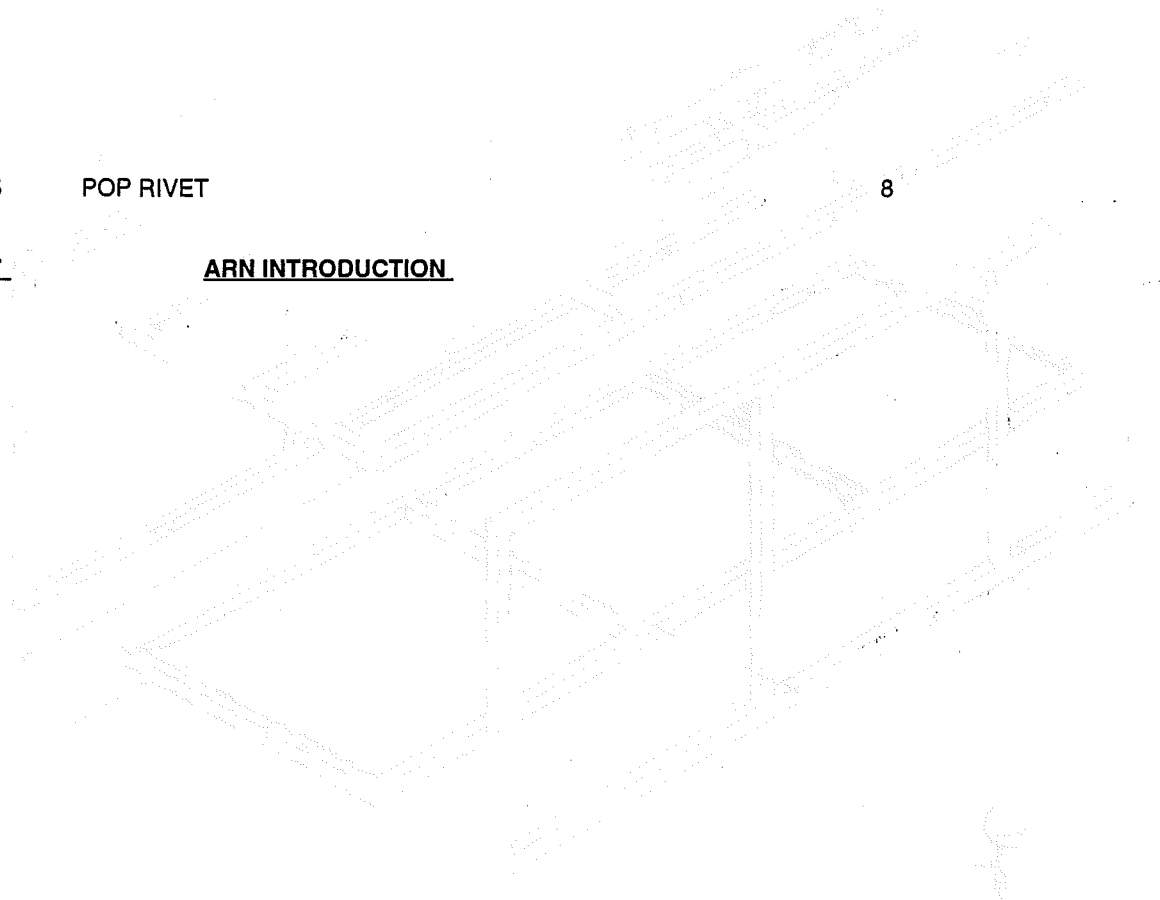
MEDICAL ASSISTANT'S CASE MOUNTING BRACKET ASSEMBLY - AMBULANCE

DERIVATIVE CODE

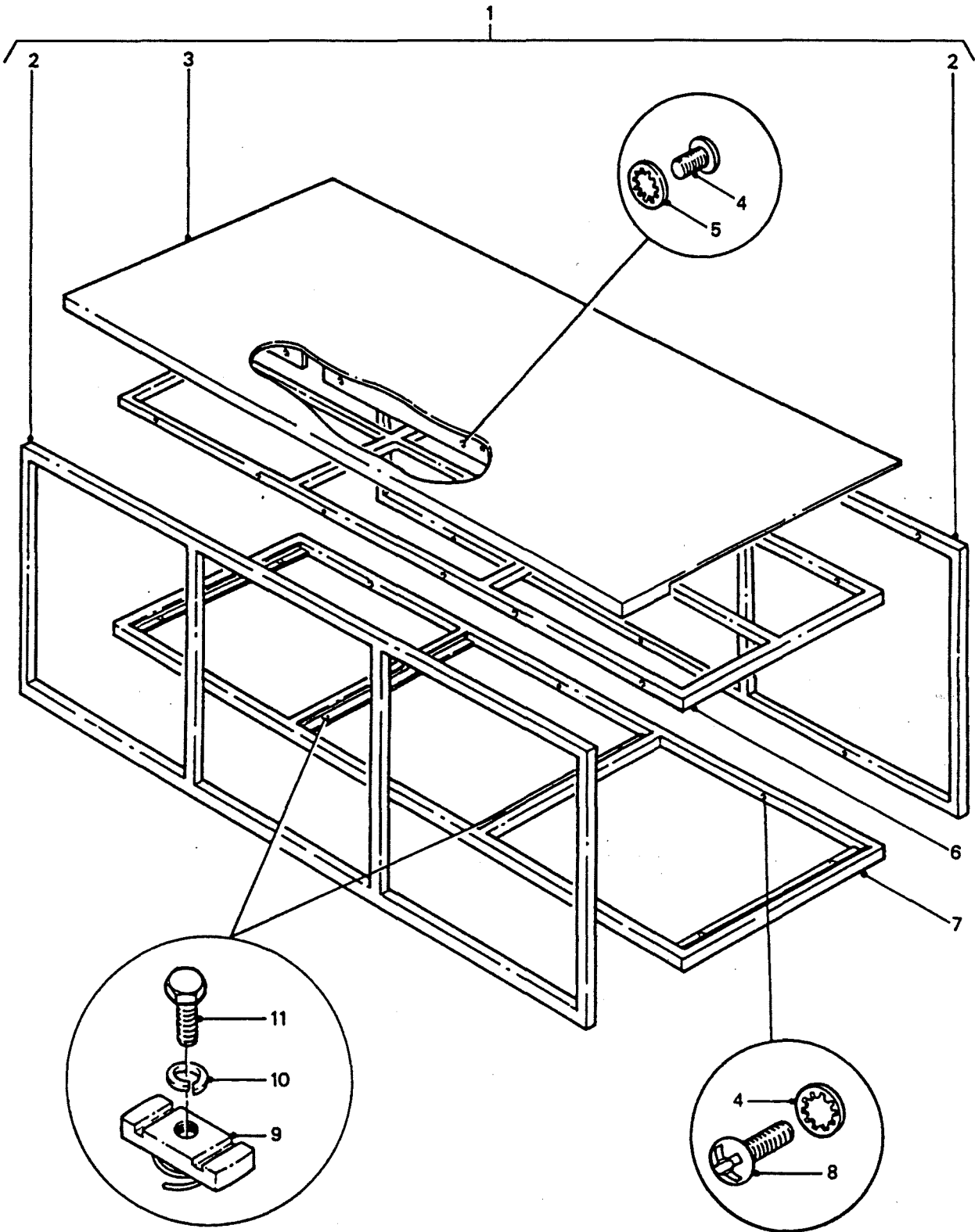
<u>ITEM</u>	<u>PART NO.</u>	<u>DESCRIPTION</u>	<u>NSN</u>	<u>2185</u>	<u>2186</u>	<u>2208</u>	<u>2209</u>	<u>2210</u>	<u>2211</u>	<u>2212</u>	<u>2219</u>	<u>CP</u>
1	HYL9093	MOUNTING MEDICAL ASSISTANTS CASE (INCLUDES ITEMS 2-10)										1
2	HYL9094	STRAP ASSY	2540-66-128-5874									1
3	NSS											
4	RU612373L	POP RIVET	5320-99-120-9002									3
5	WA105001L	WASHER-PLAIN	5310-99-122-3032									1
6	NSS											
7	NSS											
8	NSS											
9	NSS											
10	NSS											
11	HYL9095	POP RIVET										8

CHANGE POINT

ARN INTRODUCTION



GROUP WFE/2 SHEET 1



**SIDE BENCH ASSEMBLY
- GMV**

PERENTIE LAND ROVER PARTS LIST

WFE /2/1 SIDE BENCH ASSEMBLY - GMV

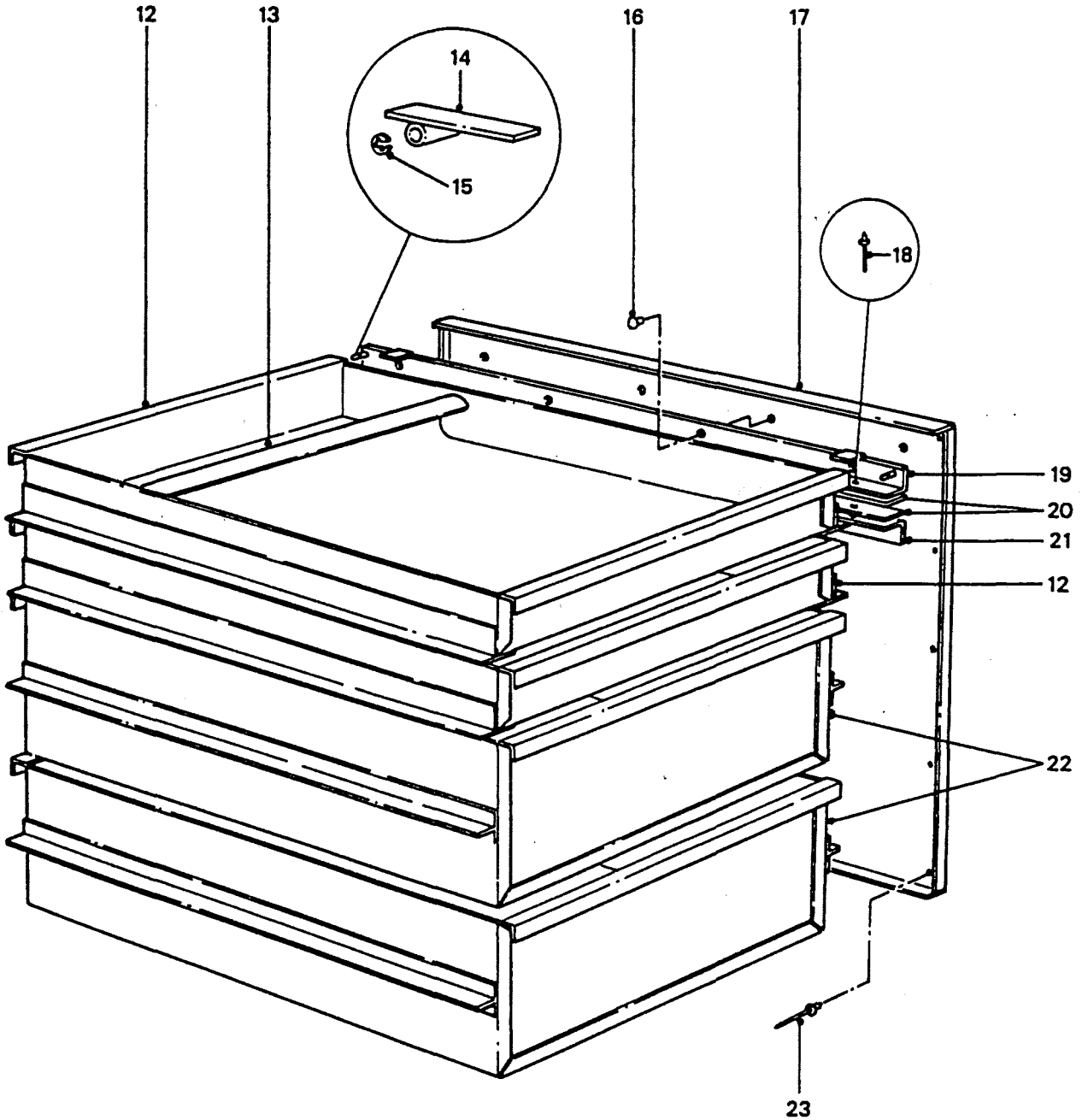
DERIVATIVE CODE

<u>ITEM</u>	<u>PART NO.</u>	<u>DESCRIPTION</u>	<u>NSN</u>	<u>2185</u>	<u>2186</u>	<u>2208</u>	<u>2209</u>	<u>2210</u>	<u>2211</u>	<u>2212</u>	<u>2219</u>	<u>CP</u>
1	HYM328	BENCH ASSY-SIDE-COMPLETE (INCLUDES ITEMS 2-23)								1		
2	NSS											
3	NSS											
4	SE106121L	SCREW	5305-99-122-5289							16		
5	WF106001L	WASHER-LOCK	5310-66-128-4931							28		
6	NSS											
7	NSS											
8	SE106301	SCREW								12		
9	HYL9967	NUT ASSY								8		
10	WM110001L	WASHER-LOCK	5310-99-135-4103							8		
11	SH110351L	SCREW								8		

CHANGE POINT

ARN INTRODUCTION

GROUP WFE/2 SHEET 2



**SIDE BENCH ASSEMBLY
- GMV - CONTINUED**

PERENTIE LAND ROVER PARTS LIST

WFE /2/2 SIDE BENCH ASSEMBLY - GMV - CONTINUED

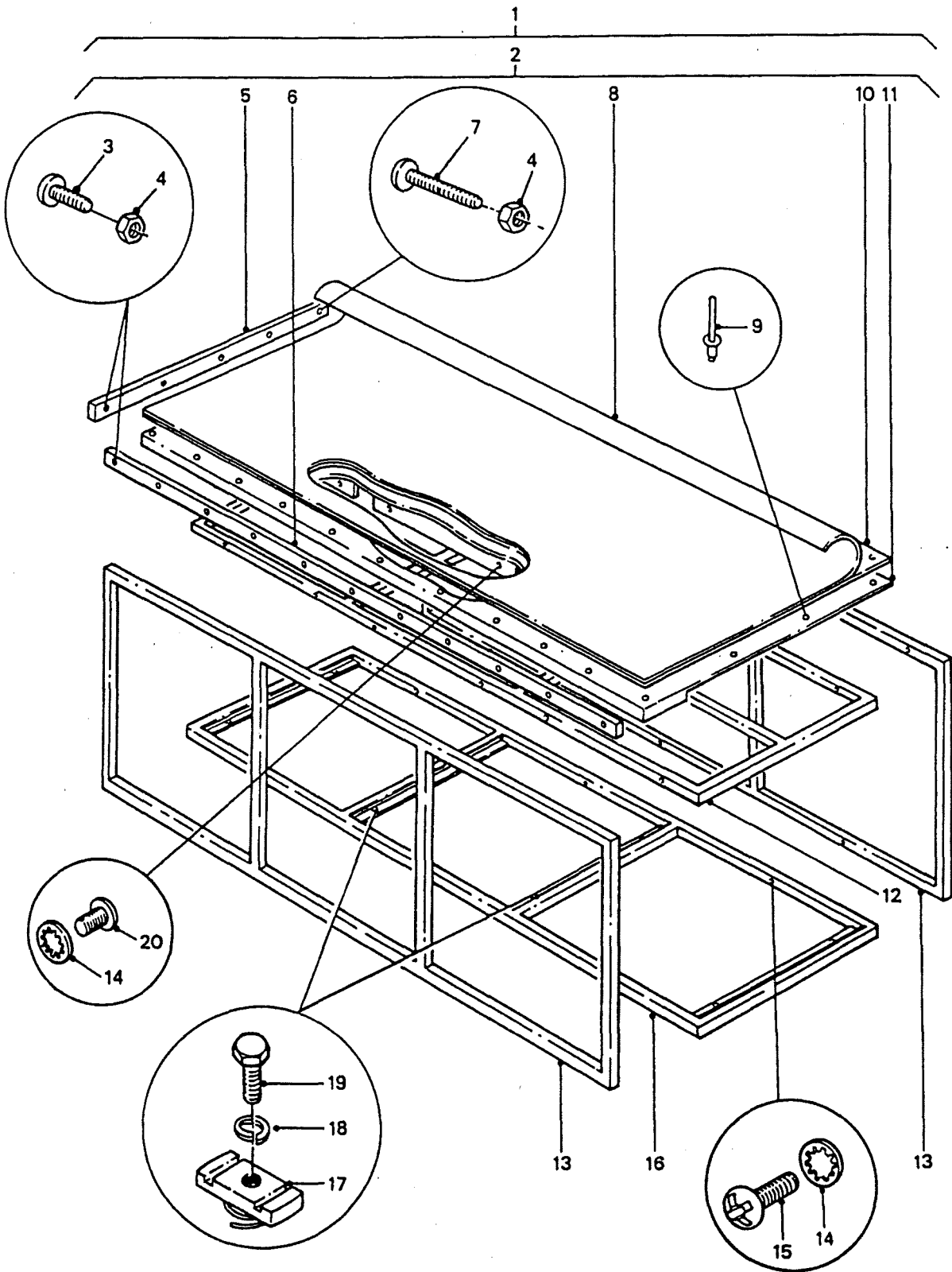
DERIVATIVE CODE

ITEM	PART NO.	DESCRIPTION	NSN	DERIVATIVE CODE													
				2185	2186	2208	2209	2210	2211	2212	2219	CP					
12	HYL9969	DRAWER-SMALL								6							
13	HYL9970	MAT-DRAWER								12							
14	HYL9971	LEVER-RELEASE-DRAWER RUNNER								12							
15	HYL9973	"E" CLIP								24							
16	HYM10	RIVET								192							
17	HYL9974	PANEL-DRAWER								6							
18	HYL9952	POP RIVET								240							
19	NSS																
20	HYL9975	STRIP-ANTI FRICTION-DRAWER RUNNER								48							
21	NSS																
22	HYL9976	DRAWER-LARGE								6							
23	HYL9112	POP RIVET								60							
	HYL9972	LEVER-RELEASE-DRAWER RUNNER-OUTER POSITION								12							

CHANGE POINT

ARN INTRODUCTION

GROUP WFE/3 SHEET 1



SIDE BENCH ASSEMBLY - ERV

PERENTIE LAND ROVER PARTS LIST

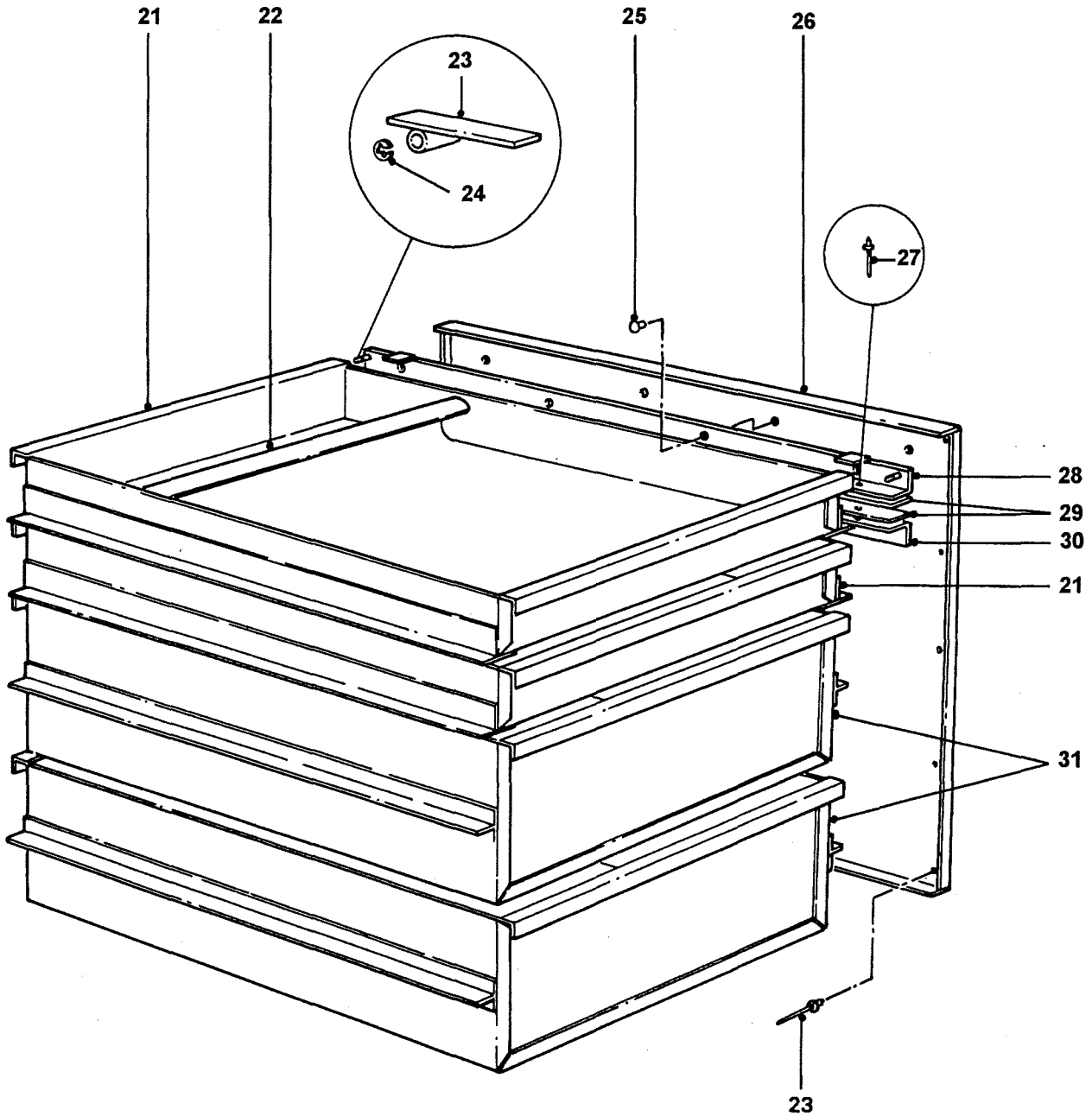
WFE /3/1 SIDE BENCH ASSEMBLY - ERV

DERIVATIVE CODE

<u>ITEM</u>	<u>PART NO.</u>	<u>DESCRIPTION</u>	<u>NSN</u>	<u>2185</u>	<u>2186</u>	<u>2208</u>	<u>2209</u>	<u>2210</u>	<u>2211</u>	<u>2212</u>	<u>2219</u>	<u>CP</u>
1	HYL9962	SIDE BENCH ASSY-COMPLETE (INCLUDES ITEMS 2, 12-16, 20-32)										1
2	HYL9966	BENCH TOP ASSY-SIDE										1
3	SE106161L	SCREW	5305-99-135-0440									12
4	NY106041L	NUT-NYLOC	5310-99-138-8423									16
5	HYL9963	STRIP-PROTECTION -595MM LONG										1
6	HYL9968	STRIP-PROTECTION -410MM LONG										1
7	SE106401	SCREW										4
8	HYL9964	COVER-BENCH TOP -RUBBER										1
9	HYL9965	POP RIVET										39
10	NSS											
11	NSS											
12	NSS											1
13	NSS											2
14	WF106001L	WASHER-LOCK	5310-66-128-4931									28
15	SE106301	SCREW										12
16	NSS											
17	HYL9967	NUT ASSY										8
18	WM110001L	WASHER-LOCK	5310-99-135-4103									8
19	SH110351L	SCREW										8
20	SE106121L	SCREW	5305-99-122-5289									8

CHANGE POINT

ARN INTRODUCTION

GROUP WFE/3 SHEET 2

**SIDE BENCH ASSEMBLY
- ERV - CONTINUED**

PERENTIE LAND ROVER PARTS LIST

WFE /3/2 SIDE BENCH ASSEMBLY - ERV - CONTINUED

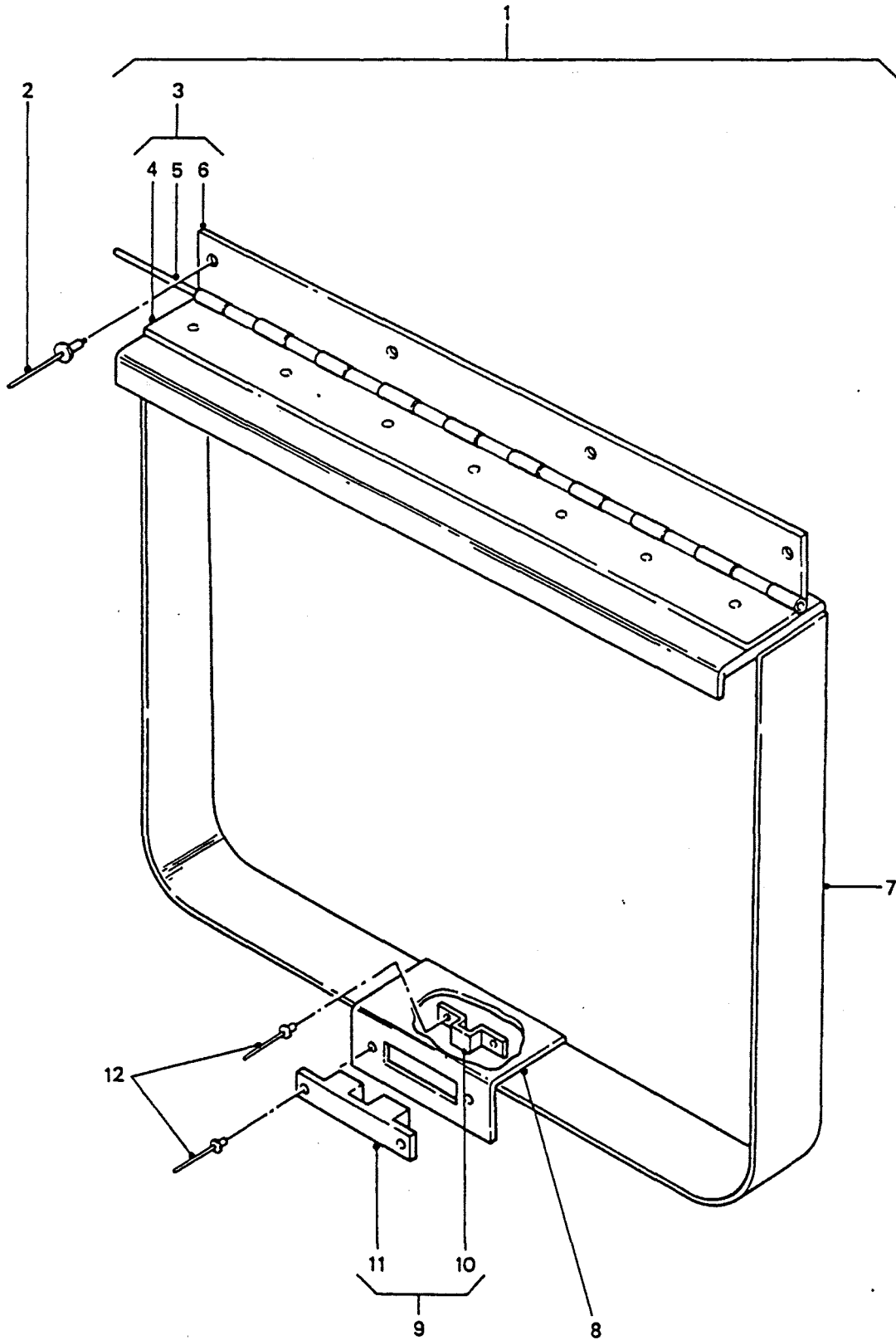
DERIVATIVE CODE

<u>ITEM</u>	<u>PART NO.</u>	<u>DESCRIPTION</u>	<u>NSN</u>	<u>2185</u>	<u>2186</u>	<u>2208</u>	<u>2209</u>	<u>2210</u>	<u>2211</u>	<u>2212</u>	<u>2219</u>	<u>CP</u>
21	HYL9969	DRAWER-SMALL-SIDE BENCH								6		
22	HYL9970	MAT-DRAWER								12		
23	HYL9971	LEVER-RELEASE-DRAWER RUNNER-INNER								12		
	HYL9972	LEVER-RELEASE-DRAWER RUNNER-OUTER								12		
24	HYL9973	"E" CLIP-RELEASE LEVER RETENTION								24		
25	HYM10	RIVET								192		
26	HYL9974	PANEL-DRAWER-SIDE BENCH								6		
27	HYL9952	RIVET								240		
28	NSS											
29	HYL9975	STRIP-ANTI FRICTION-DRAWER RUNNER								48		
30	NSS											
31	HYL9976	DRAWER-LARGE-SIDE BENCH								6		
32	HYL9955	POP RIVET								60		

CH. 1 E POINT

ARN INTRODUCTION

GROUP WFF/1 SHEET 1



**DIRTY LINEN LOCKER INTERIOR FIXTURES
- AMBULANCE**

PERENTIE LAND ROVER PARTS LIST

WFF /1/1 DIRTY LINEN LOCKER INTERIOR FIXTURES - AMBULANCE

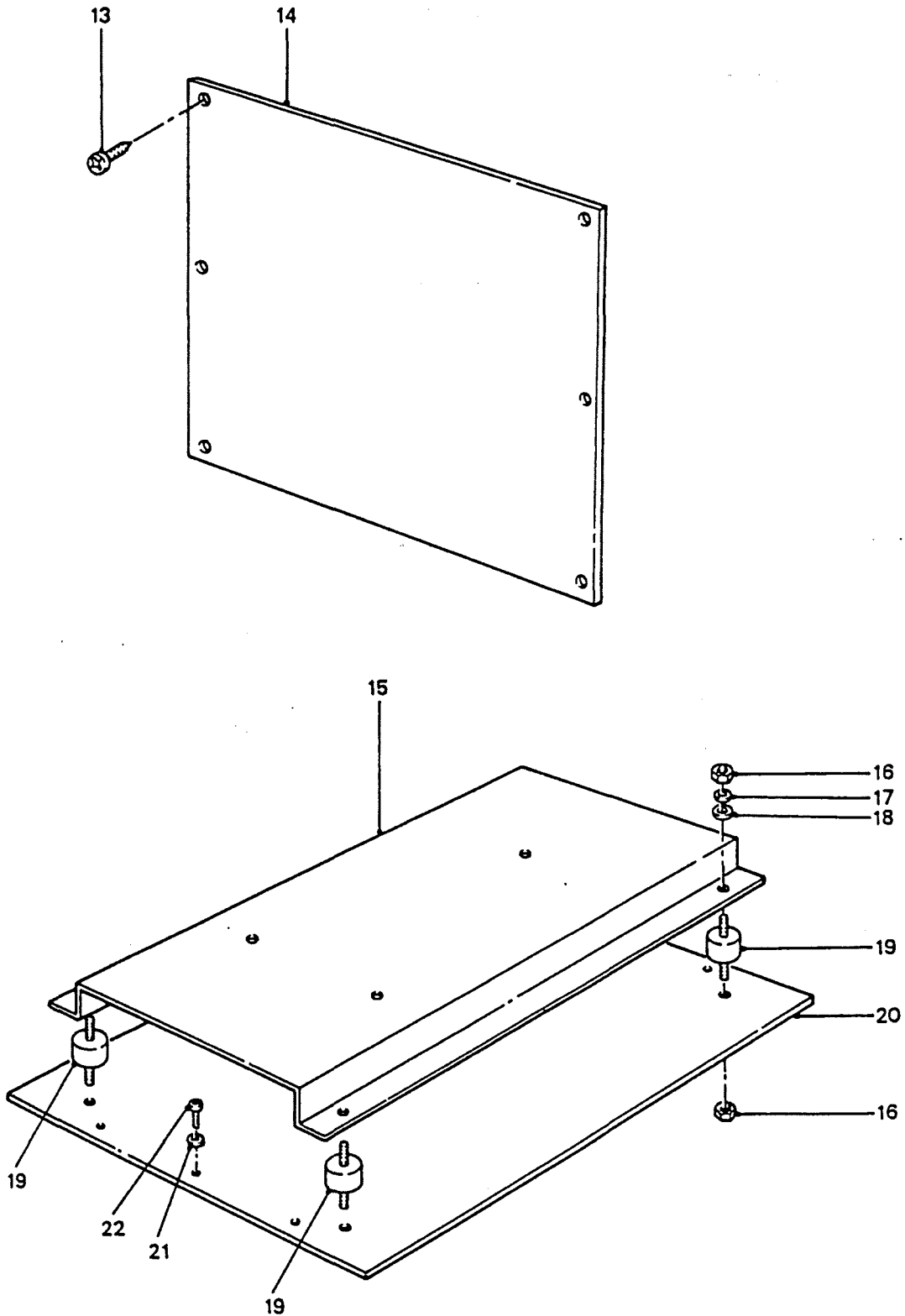
DERIVATIVE CODE

<u>ITEM</u>	<u>PART NO.</u>	<u>DESCRIPTION</u>	<u>NSN</u>	<u>2185</u>	<u>2186</u>	<u>2208</u>	<u>2209</u>	<u>2210</u>	<u>2211</u>	<u>2212</u>	<u>2219</u>	<u>CP</u>
1	HYL9305	HATCH ASSY-SOILED LINEN LOCKER				1						
2	HYL9114	POP RIVET				4						
3	NSS											
4	NSS											
5	NSS											
6	NSS											
7	NSS											
8	NSS											
9	HYL9306	CATCH-HATCH				1						
10	NSS											
11	NSS											
12	RU608123L	POP RIVET	5320-66-128-4634			4						

CHANGE POINT

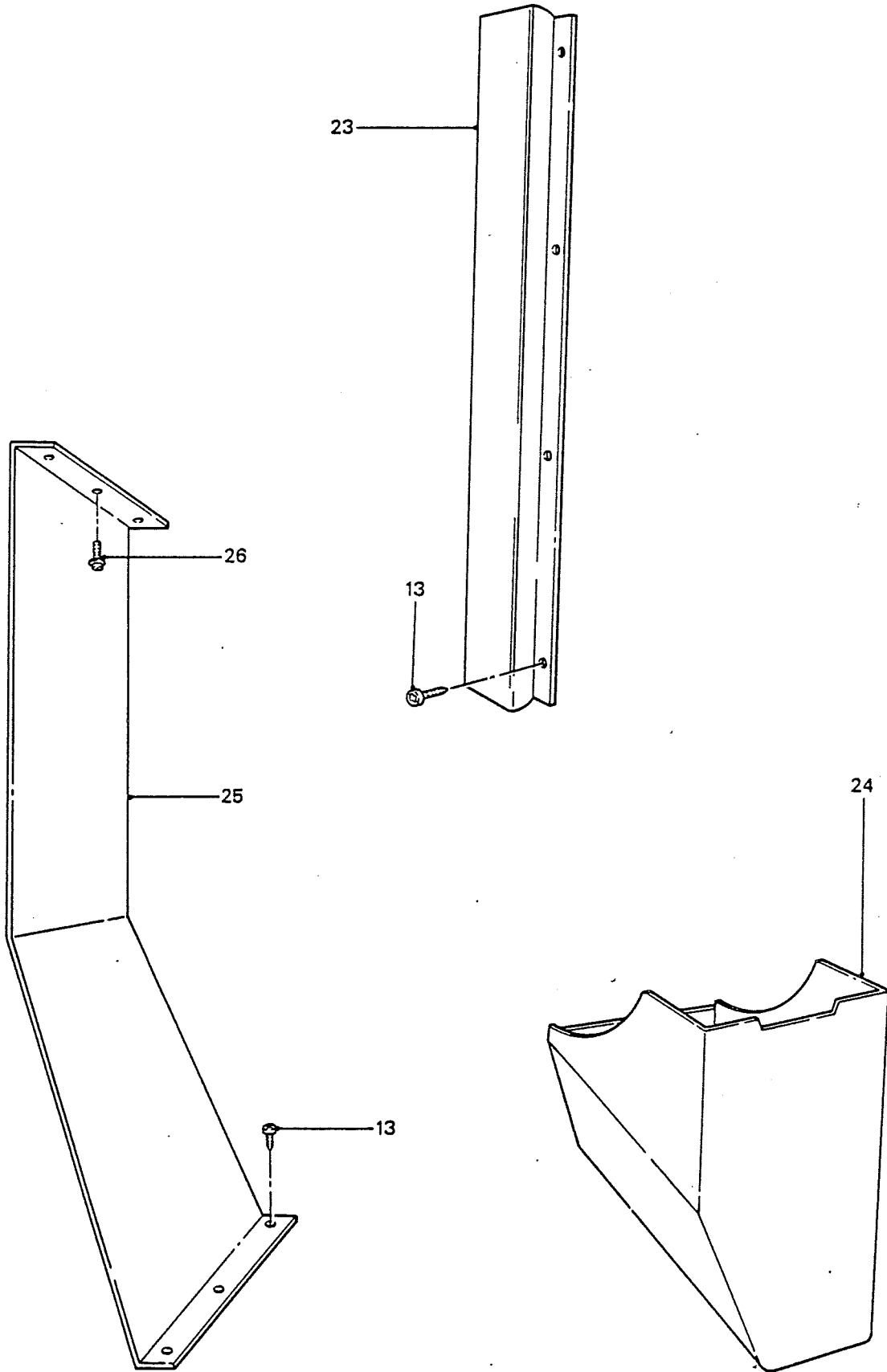
ARN INTRODUCTION

GROUP WFF/1 SHEET 2



**DIRTY LINEN LOCKER INTERIOR FIXTURES
- AMBULANCE - CONTINUED**





DIRTY LINEN LOCKER INTERIOR FIXTURES

PERENTIE LAND ROVER PARTS LIST

WFF /1/2 DIRTY LINEN LOCKER INTERIOR FIXTURES - AMBULANCE - CONTINUED

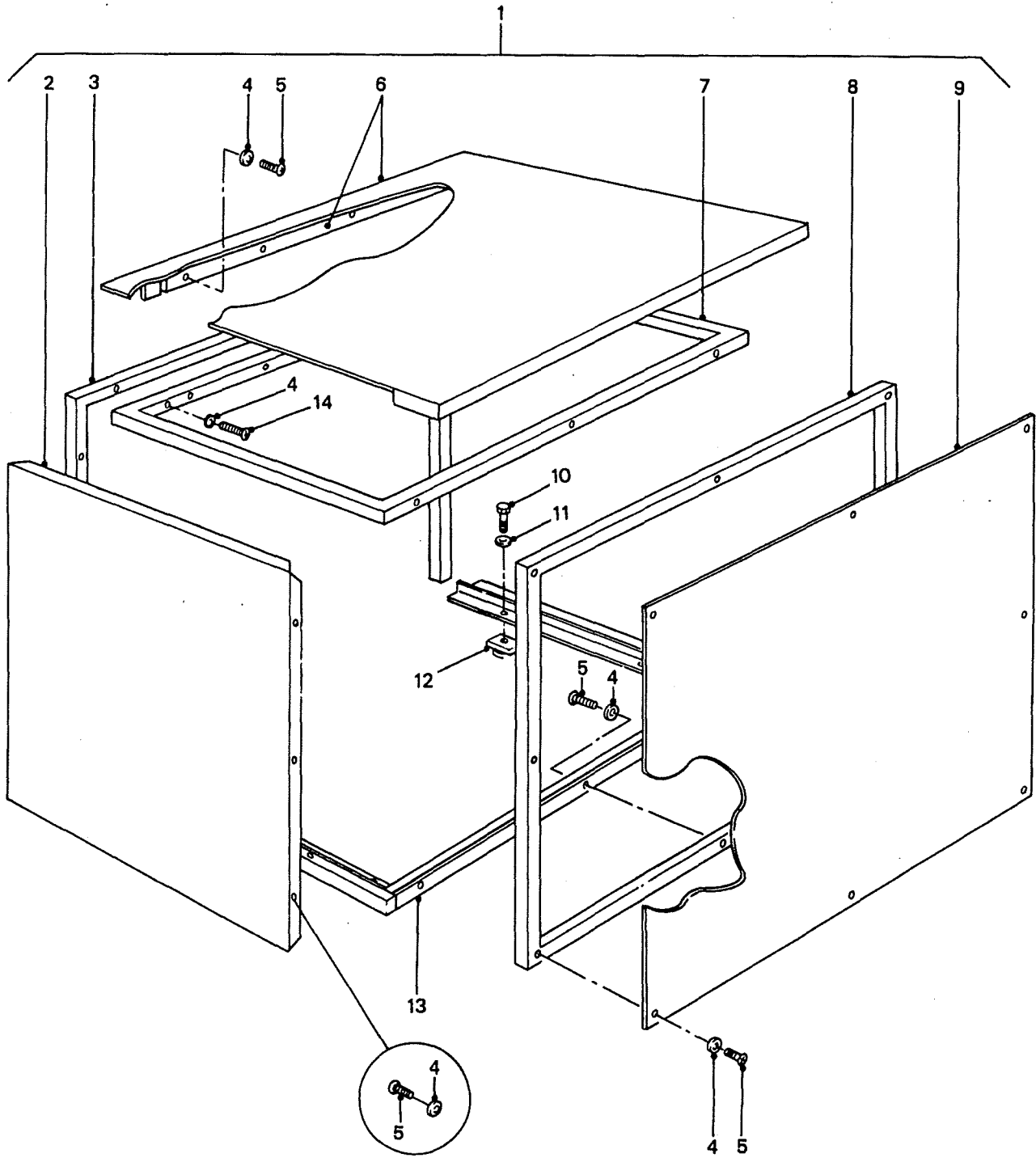
DERIVATIVE CODE

<u>ITEM</u>	<u>PART NO.</u>	<u>DESCRIPTION</u>	<u>NSN</u>	<u>2185</u>	<u>2186</u>	<u>2208</u>	<u>2209</u>	<u>2210</u>	<u>2211</u>	<u>2212</u>	<u>2219</u>	<u>CP</u>
13	AB606031L	SCREW	5305-99-901-9736									18
14	HYL9307	PLATE-MOUNTING -VOLTAGE REDUCER	5305-99-901-9736									1
15	HYL9308	PLATE-MOUNTING -SUCTION PUMP										1
16	NH305041	NUT										8
17	WL108001L	WASHER-LOCK	5310-99-138-9227									4
18	WA108051L	WASHER-PLAIN	5310-99-122-6475									4
19	HYL9328	MOUNT-RUBBER										4
20	HYL9329	PLATE-MOUNTING -SUCTION PUMP BASE										1
21	HYL9097	WASHER-CUP										6
22	AC606031L	SCREW	5305-66-128-5091									6
23	HYL9140	PLATE-PROTECTION -SUCTION LINE										1
24	HYL9310	LINER-LINEN LOCKER										1
25	NSS											
26	AB606051L	SCREW	5305-66-016-0723									3

CHANGE POINT

ARN INTRODUCTION

GROUP WFF/2



**FRONT BENCH ASSEMBLY – LEFT HAND
– GMV**

PERENTIE LAND ROVER PARTS LIST

WFF /2/1 FRONT BENCH ASSEMBLY - LEFT HAND - GMV

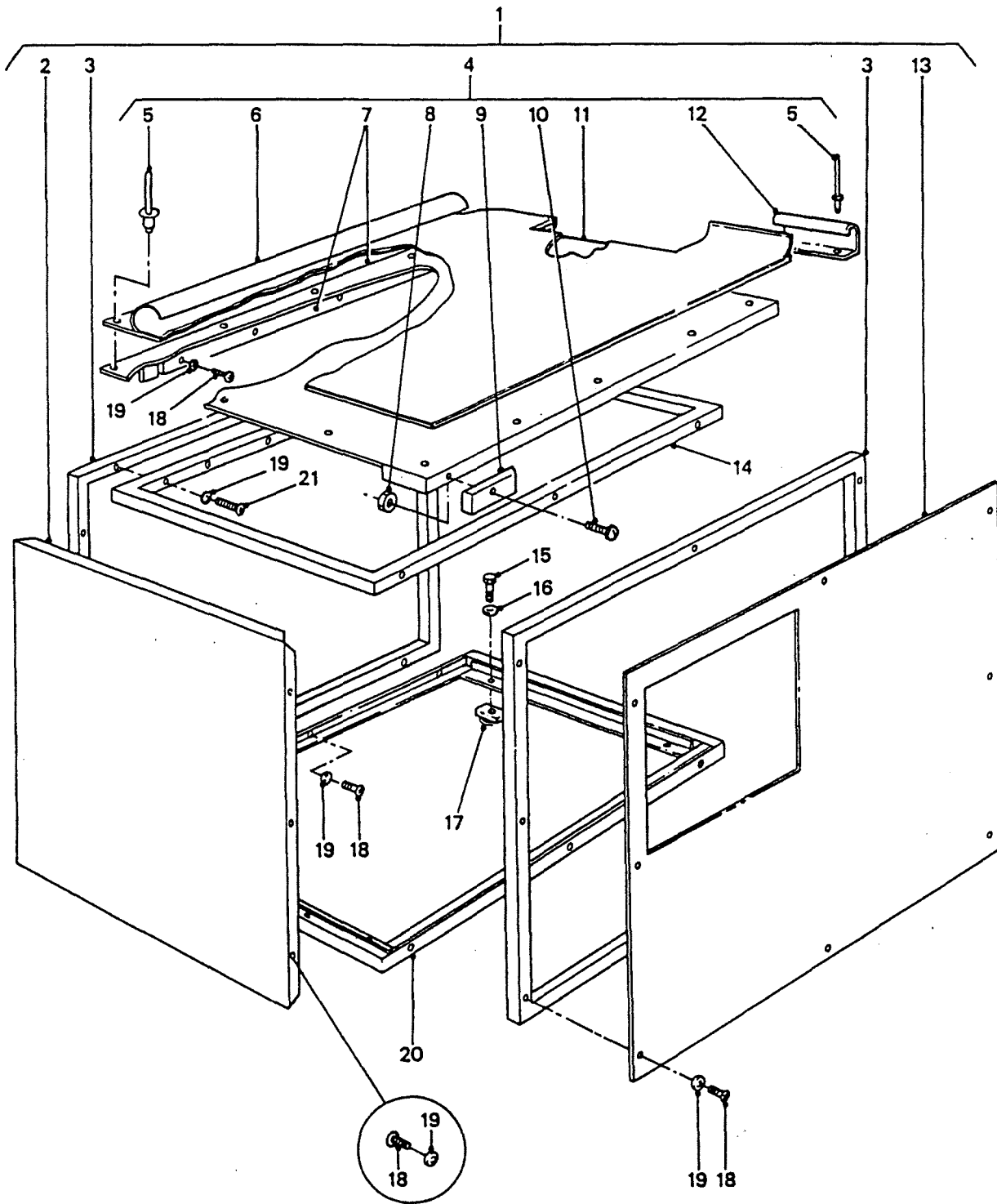
DERIVATIVE CODE

<u>ITEM</u>	<u>PART NO.</u>	<u>DESCRIPTION</u>	<u>NSN</u>	<u>2185</u>	<u>2186</u>	<u>2208</u>	<u>2209</u>	<u>2210</u>	<u>2211</u>	<u>2212</u>	<u>2219</u>	<u>CP</u>
1	HYM329	BENCH ASSY-FRONT LH-COMPLETE (INCLUDES ITEMS 2-9, 13, 14)										1
2	HYM85	PANEL-REAR										1
3	NSS											
4	WF106001L	WASHER-LOCK	5310-66-128-4931									31
5	SE106121L	SCREW	5305-99-122-5289									25
6	NSS											
7	NSS											
8	NSS											
9	HYM88	PANEL-SIDE										1
10	SH110351L	SCREW										4
11	WM110001L	WASHER-LOCK	5310-99-135-4103									4
12	HYL9967	NUT ASSY										4
13	NSS											
14	SE106351L	SCREW	5305-99-198-0006									6

CHANGE POINT

ARN INTRODUCTION

GROUP WFF/3



**FRONT BENCH ASSEMBLY - LEFT HAND
- ERV**

PERENTIE LAND ROVER PARTS LIST

WFF /3/1 FRONT BENCH ASSEMBLY - LEFT HAND - ERV

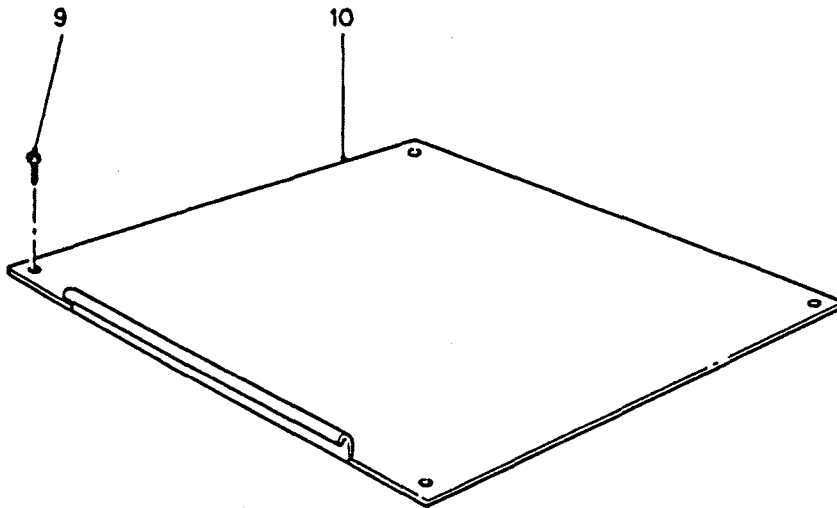
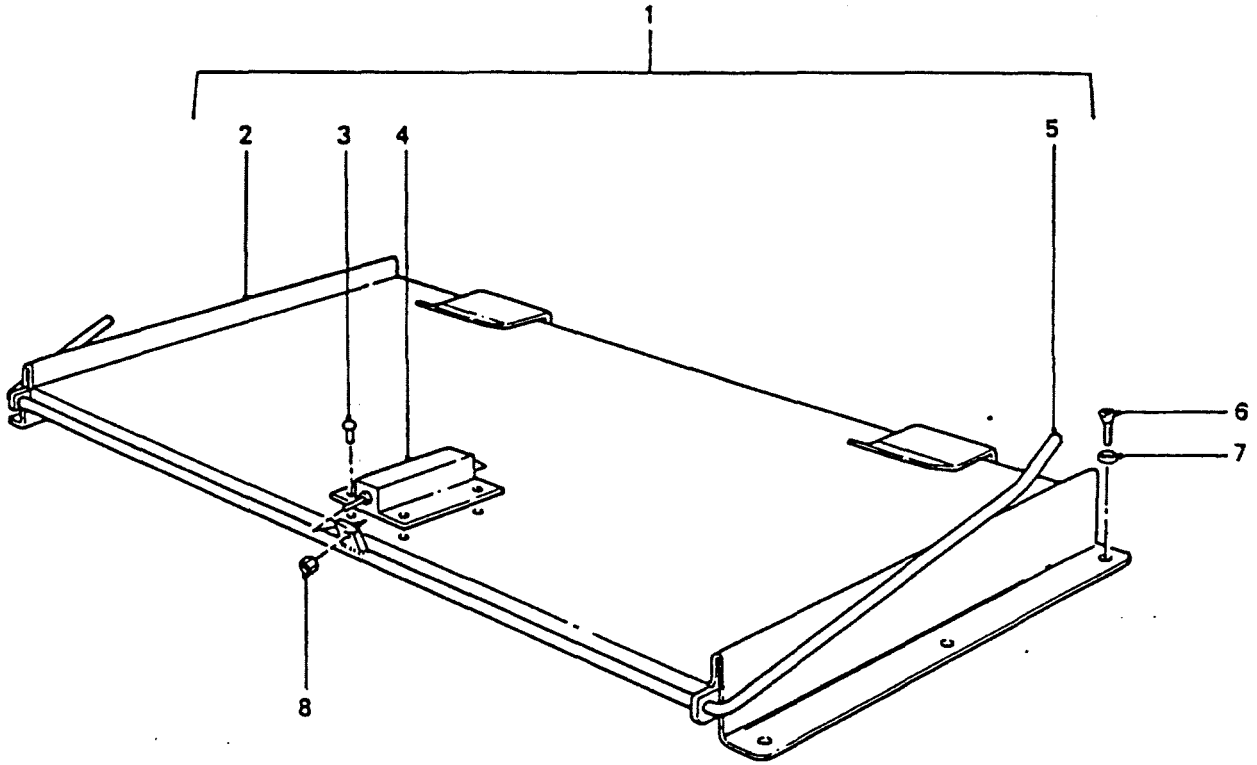
DERIVATIVE CODE

<u>ITEM</u>	<u>PART NO.</u>	<u>DESCRIPTION</u>	<u>NSN</u>	<u>2185</u>	<u>2186</u>	<u>2208</u>	<u>2209</u>	<u>2210</u>	<u>2211</u>	<u>2212</u>	<u>2219</u>	<u>CP</u>
1	HYM83	BENCH ASSY-LH FRONT										1
2	HYM85	PANEL-REAR										1
3	NSS											
4	HYM84	BENCH TOP ASSY-FRONT-LH (INCLUDES ITEMS 5-12)										1
5	HYL9965	POP RIVET										16
6	HYM86	COVER-BENCH TOP -RUBBER										1
7	NSS											
8	NY106041L	NUT-NYLOC	5310-99-138-8423									1
9	HYM89	STRIP-PROTECTION										1
10	SE106161L	SCREW	5305-99-135-0440									1
11	NSS											
12	HYM87	RETAINER-BENCH TOP COVER										1
13	HYM88	PANEL-SIDE										1
14	NSS											
15	SH110351L	SCREW										4
16	WM110001L	WASHER-LOCK	5310-99-135-4103									4
17	HYL9967	NUT ASSY										4
18	SE106121L	SCREW	5305-99-122-5289									28
19	WF106001L	WASHER-LOCK	5310-66-128-4931									34
20	NSS											
21	SE106351L	SCREW	5305-99-198-0006									6

CHANGE POINT

ARN INTRODUCTION

GROUP WFG/1 SHEET 1



**RIGHT HAND LOCKER INTERIOR FIXTURES
- AMBULANCE**

PERENTIE LAND ROVER PARTS LIST

WFG /1/1 RIGHT HAND LOCKER INTERIOR FIXTURES - AMBULANCE

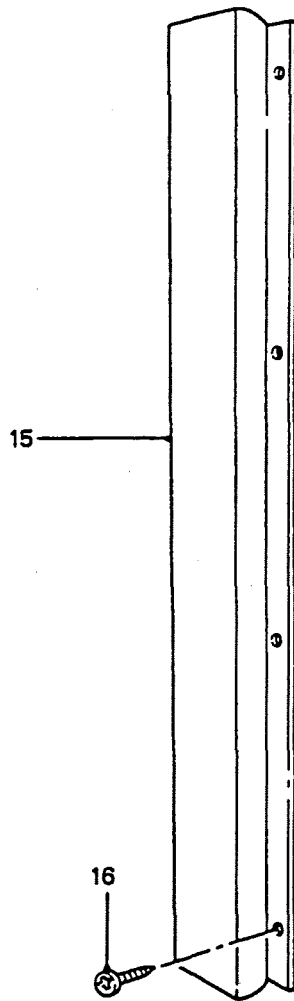
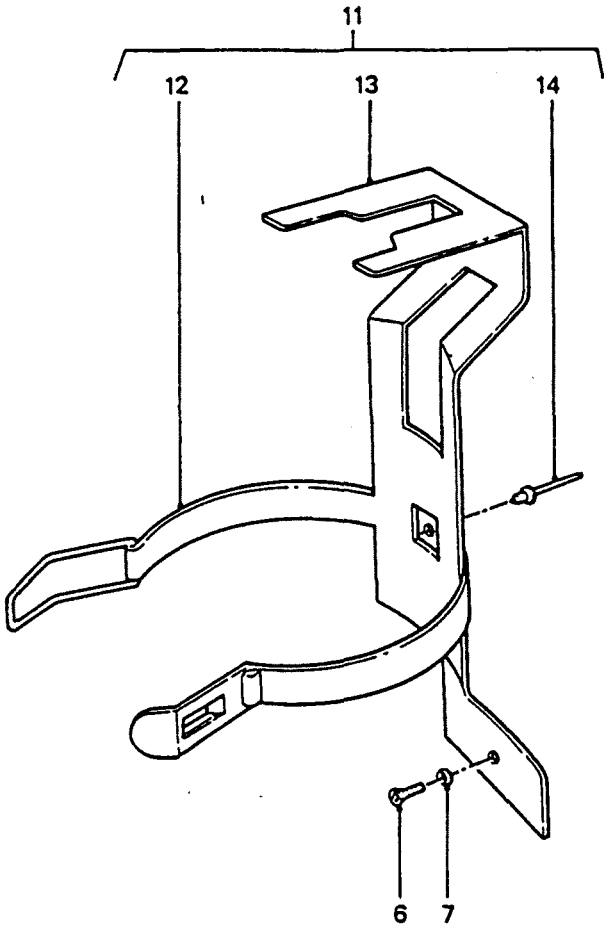
DERIVATIVE CODE

<u>ITEM</u>	<u>PART NO.</u>	<u>DESCRIPTION</u>	<u>NSN</u>	<u>2185</u>	<u>2186</u>	<u>2208</u>	<u>2209</u>	<u>2210</u>	<u>2211</u>	<u>2212</u>	<u>2219</u>	<u>CP</u>
1	HYL9127	BRACKET ASSY (INCLUDES ITEMS 2-5, 8)						1				
2	NSS											
3	NSS											
4	HYL9128	LOCK ASSY						1				
5	NSS											
6	AC606051	SCREW						8				
7	HYL9097	WASHER-CUP						8				
8	NY106041L	NUT-NYLOC	5310-99-138-8423					1				
9	AB606051L	SCREW	5305-66-016-0723					4				
10	HYL9129	PLATE-RH LOCKER BASE						1				

CHANGE POINT

ARN INTRODUCTION

GROUP WFG/1 SHEET 2



RIGHT HAND LOCKER INTERIOR FIXTURES - AMBULANCE - CONTINUED

PERENTIE LAND ROVER PARTS LIST

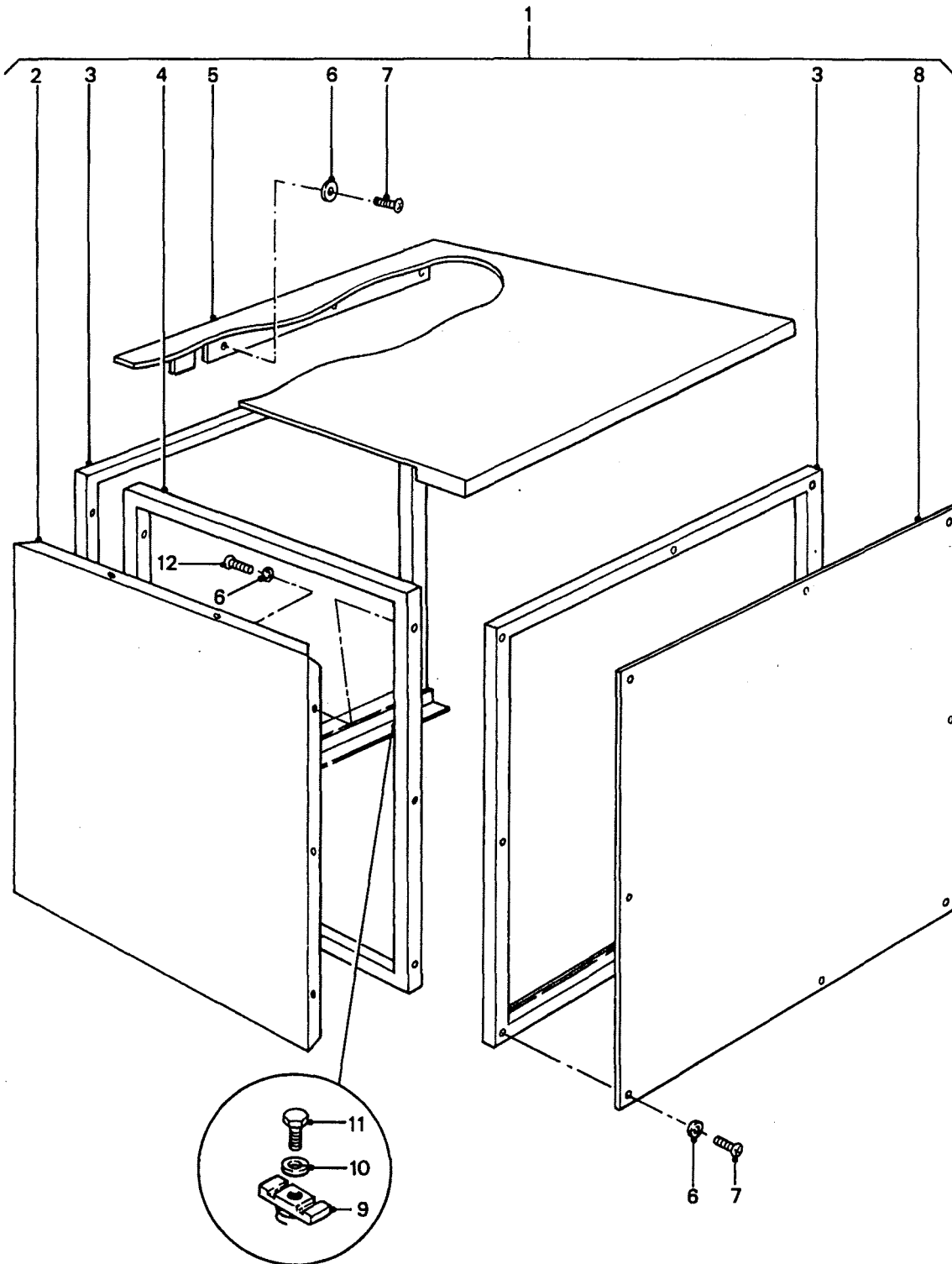
WFG /1/2 RIGHT HAND LOCKER INTERIOR FIXTURES - AMBULANCE - CONTINUED
DERIVATIVE CODE

<u>ITEM</u>	<u>PART NO.</u>	<u>DESCRIPTION</u>	<u>NSN</u>	<u>2185</u>	<u>2186</u>	<u>2208</u>	<u>2209</u>	<u>2210</u>	<u>2211</u>	<u>2212</u>	<u>2219</u>	<u>CP</u>
11	HYL9130	BRACKET ASSY-FIRE EXTINGUISHER				1						
12	NSS											
13	NSS											
14	HYL9176	POP RIVET				1						
15	HYL9140	PLATE-PROTECTION- RH-SUCTION LINE				1						
16	AB606031L	SCREW	5305-99-901-9736			4						

CHANGE POINT

ARN INTRODUCTION

GROUP WFG/2



**FRONT BENCH ASSEMBLY – RIGHT HAND
– GMV**

PERENTIE LAND ROVER PARTS LIST

WFG /2/1 FRONT BENCH ASSEMBLY - RIGHT HAND - GMV

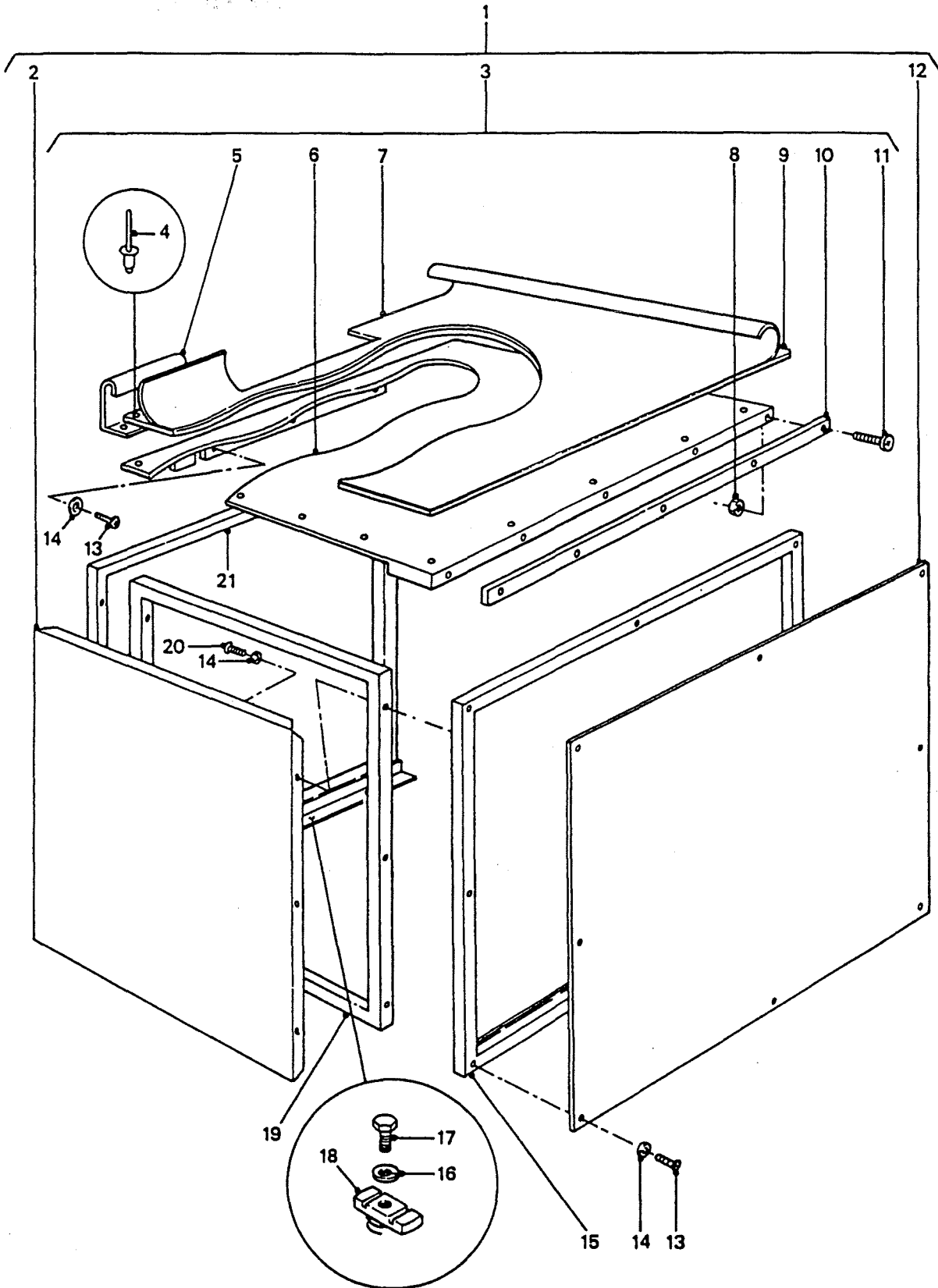
DERIVATIVE CODE

<u>ITEM</u>	<u>PART NO.</u>	<u>DESCRIPTION</u>	<u>NSN</u>	<u>2185</u>	<u>2186</u>	<u>2208</u>	<u>2209</u>	<u>2210</u>	<u>2211</u>	<u>2212</u>	<u>2219</u>	<u>CP</u>
1	HYM330	BENCH ASSY-FRONT-RH-COMPLETE (INCLUDES ITEMS 2-8, 12)										1
2	HYM95	PANEL-SIDE										1
3	NSS											
4	NSS											1
5	NSS											
6	WF106001L	WASHER-LOCK	5310-66-128-4931									20
7	SE106121L	SCREW	5305-99-122-5289									14
8	HYM331	PANEL-REAR										1
9	HYL9967	NUT ASSY										4
10	WM110001L	WASHER-LOCK	5310-99-135-4103									4
11	SH110351L	SCREW										4
12	SE106351L	SCREW	5305-99-198-0006									6

CHANGE POINT

ARN INTRODUCTION

GROUP WFG/3



**FRONT BENCH ASSEMBLY – RIGHT HAND
– ERV**

PERENTIE LAND ROVER PARTS LIST

WFG /3/1 FRONT BENCH ASSEMBLY - RIGHT HAND - ERV

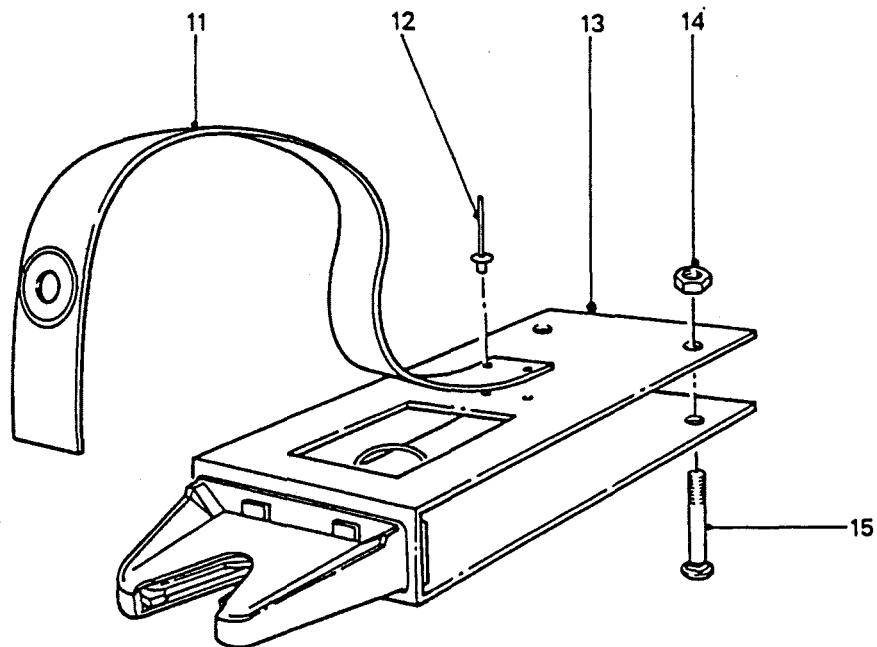
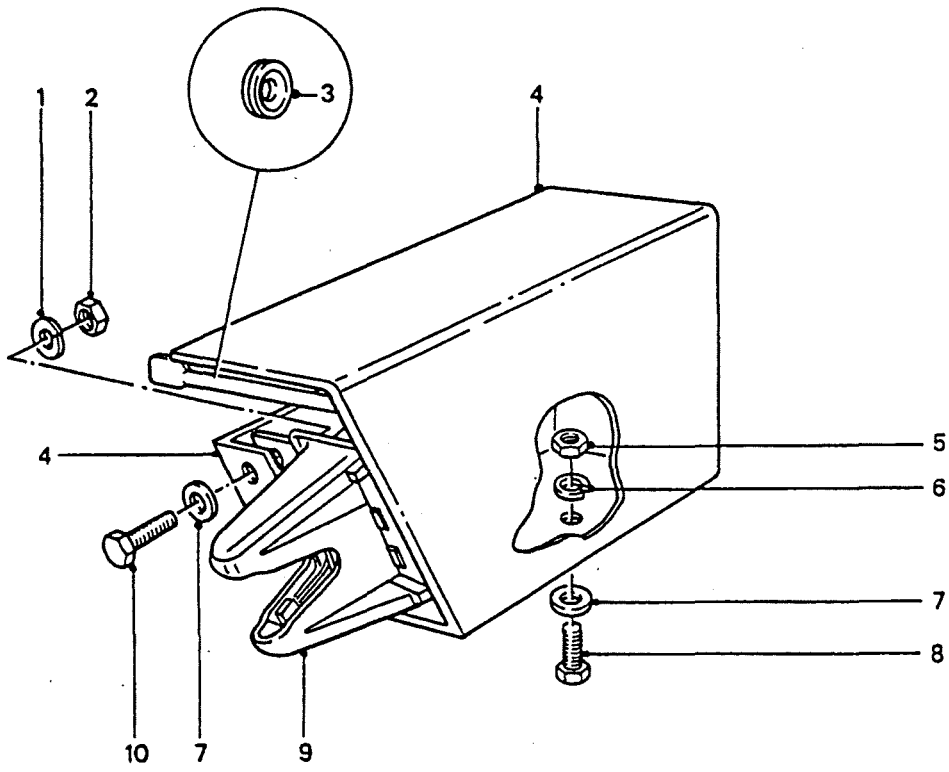
DERIVATIVE CODE

<u>ITEM</u>	<u>PART NO.</u>	<u>DESCRIPTION</u>	<u>NSN</u>	<u>2185</u>	<u>2186</u>	<u>2208</u>	<u>2209</u>	<u>2210</u>	<u>2211</u>	<u>2212</u>	<u>2219</u>	<u>CP</u>
1	HYM90	BENCH ASSY-FRONT-RH-COMPLETE (INCLUDES ITEMS 2, 3, 12-15, 19, 21)										1
2	HYM95	PANEL-SIDE										1
3	HYM91	BENCH TOP ASSY-FRONT-RH (INCLUDES ITEMS 4-11)										1
4	HYL9965	POP RIVET										19
5	HYM87	RETAINER-COVER										1
6	NSS											
7	HYM92	COVER-BENCH TOP -RUBBER										1
8	NY106041L	NUT-NYLOC	5310-99-138-8423									5
9	NSS											
10	HYM93	STRIP-PROTECTION										1
11	SE106161L	SCREW	5305-99-135-0440									5
12	HYM94	PANEL-REAR										1
13	SE106121L	SCREW	5305-99-122-5289									14
14	WF106001L	WASHER-LOCK	5310-66-128-4931									20
15	NSS											
16	WM110001L	WASHER-LOCK	5310-99-135-4103									4
17	SH110351L	SCREW										4
18	HYL9967	NUT ASSY										4
19	NSS											
20	SE106351L	SCREW	5305-99-198-0006									6
21	NSS											

CHANGE POINT

ARN INTRODUCTION

GROUP WFH/1



**LITTER RAIL RETAINING CATCHES
- AMBULANCE**

PERENTIE LAND ROVER PARTS LIST

1/28/95

WFH /1/1 LITTER RAIL RETAINING CATCHES - AMBULANCE

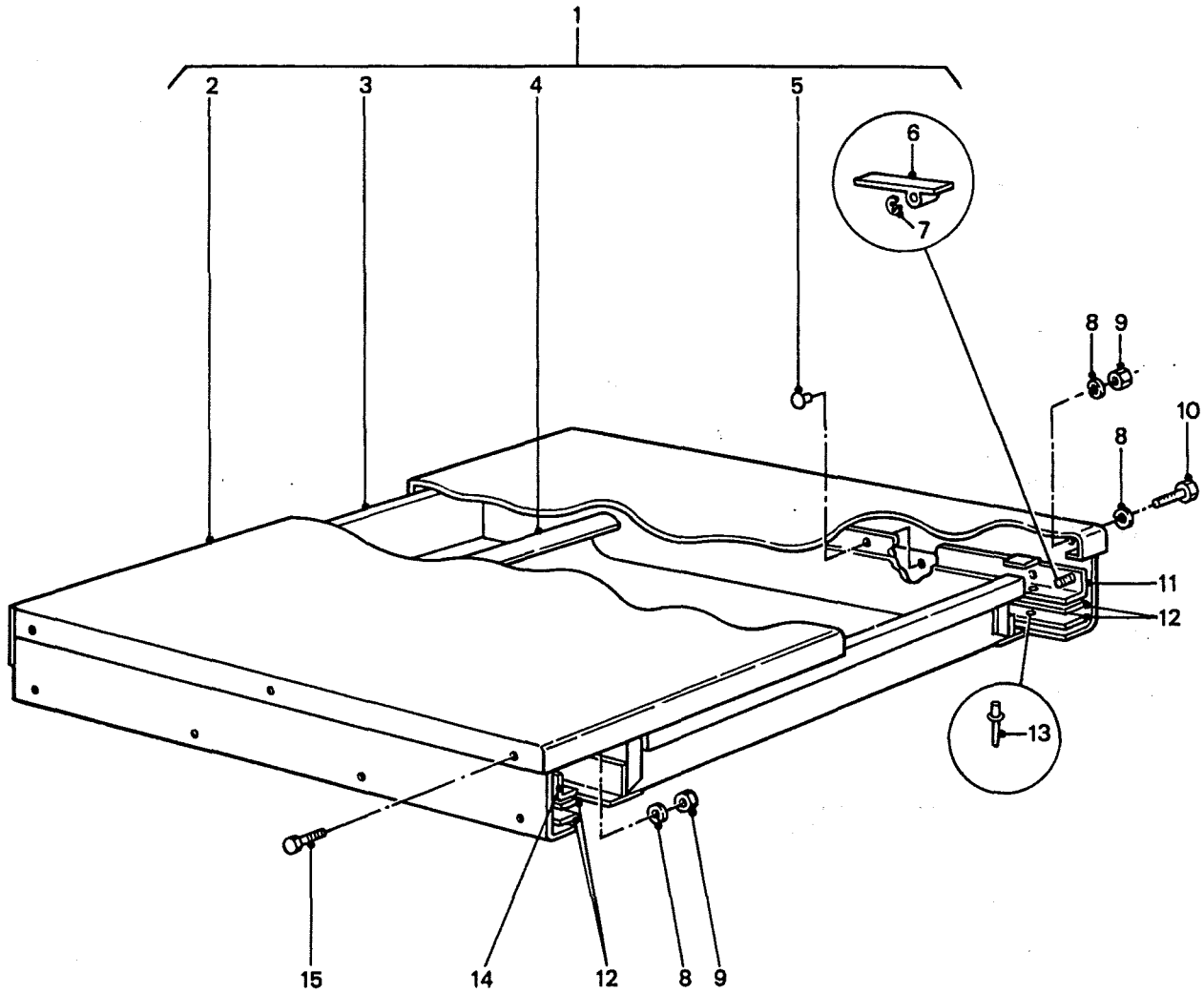
DERIVATIVE CODE

<u>ITEM</u>	<u>PART NO.</u>	<u>DESCRIPTION</u>	<u>NSN</u>	<u>2185</u>	<u>2186</u>	<u>2208</u>	<u>2209</u>	<u>2210</u>	<u>2211</u>	<u>2212</u>	<u>2219</u>	<u>CP</u>
1	WL108001L	WASHER-LOCK	5310-99-138-9227									4
2	FN108041	NUT	5310-99-499-8033									4
3	RFR208	GROMMET	5325-66-089-5324									2
4	HYL9184	BRACKET-LH-STRETCHER LOCK MOUNTING										1
	HYL9185	BRACKET-RH-STRETCHER LOCK MOUNTING										1
5	FN110041	NUT	5310-66-098-4403									4
6	WL110001L	WASHER-LOCK	5310-99-138-9228									4
7	WA110001L	WASHER-PLAIN										8
8	SH11016L	SCREW	5305-99-122-5370									4
9	HYL9186	LOCK ASSY-LH	2540-66-128-5875									2
	HYL9187	LOCK ASSY-RH	2540-66-128-5876									2
10	SH108121L	SCREW	5305-99-122-5366									4
11	HYL9188	STRAP ASSY										1
12	RU608123L	POP RIVET	5320-66-128-4634									2
13	HYL9189	LATCH ASSY-LH	2540-66-128-5882									1
	HYL9190	LATCH ASSY-RH	2540-66-128-5883									1
14	NY106041L	NUT-NYLOC	5310-99-138-8423									2
15	HYL9191	BOLT										2

CHA E POINT

ARN INTRODUCTION

GROUP WFH/2



**FRONT BENCH ASSEMBLY – CENTRE
– GMV**

PERENTIE LAND ROVER PARTS LIST

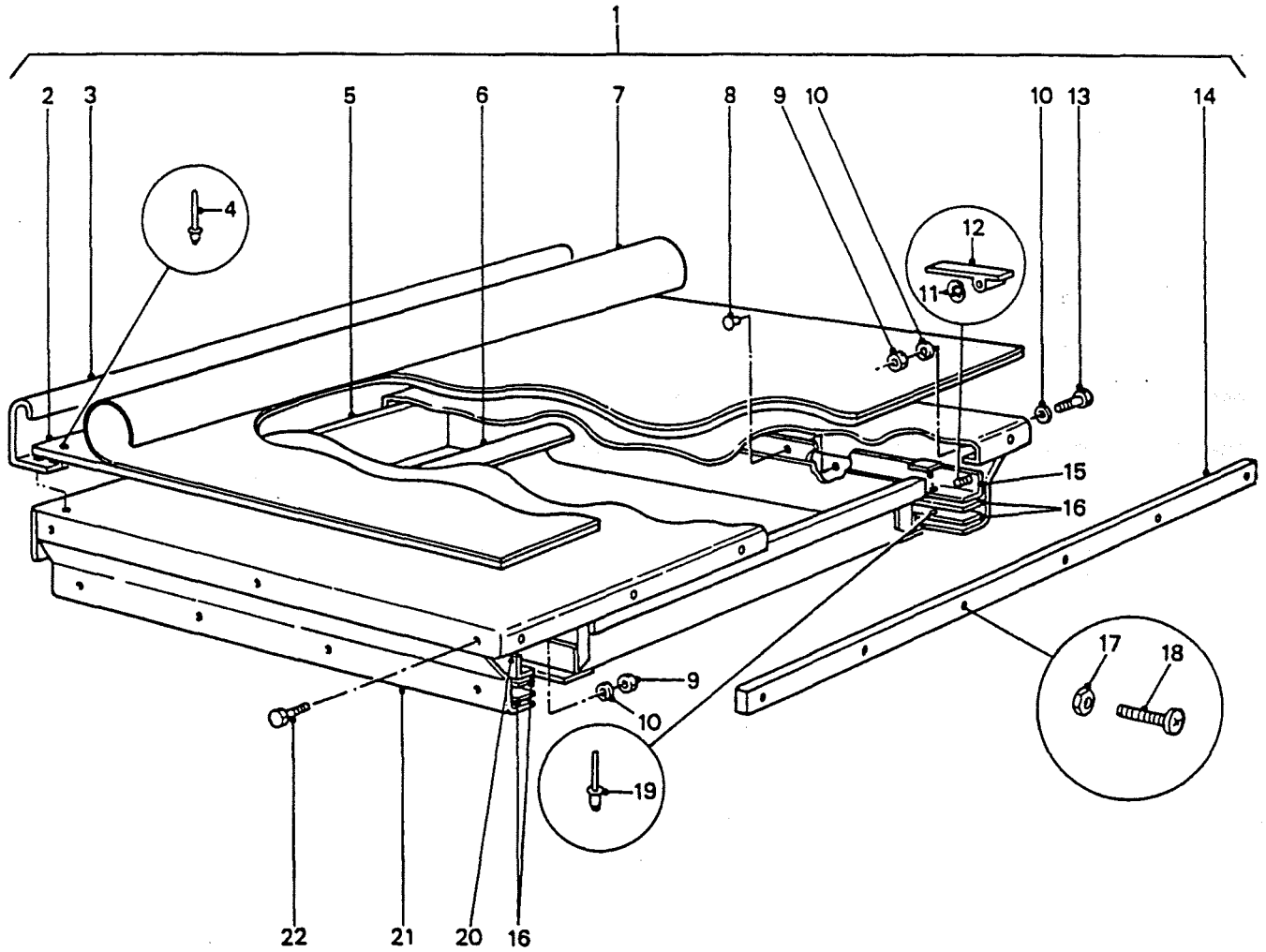
WFH /2/1 FRONT BENCH ASSEMBLY - CENTRE - GMV

DERIVATIVE CODE

ITEM	PART NO.	DESCRIPTION	NSN	2185	2186	2208	2209	2210	2211	2212	2219	CP
1	HYM332	BENCH ASSY-FRONT-CENTRE- COMPLETE (INCLUDES ITEMS 2-7, 11-14)									1	
2	NSS										1	
3	HYM97	DRAWER FRONT-CENTRE BENCH									1	
4	HYM98	MAT-DRAWER									1	
5	HYM10	RIVET									8	
6	HYL9972	LEVER-RELEASE-DRAWER RUNNER									1	
7	HYL9973	"E" CLIP									1	
8	WA108051L	WASHER-PLAIN	5310-99-122-6475								9	
9	NY108041L	NUT-NYLOC	5310-99-122-5496								6	
10	SH108501L	SCREW	5305-99-136-3260								3	
11	NSS										1	
12	HYL9975	STRIP- ANTI FRICTION-DRAWER RUNNER									4	
13	HYL9952	POP RIVET									20	
14	NSS										1	
15	FS108251	SCREW	5305-99-122-5367								3	

CHANGE POINT

ARN INTRODUCTION

GROUP WFH/3

**FRONT BENCH ASSEMBLY – CENTRE
– ERV**

PERENTIE LAND ROVER PARTS LIST

WFH /3/1 FRONT BENCH ASSY - CENTRE - ERV

DERIVATIVE CODE

2185 2186 2208 2209 2210 2211 2212 2219 CP

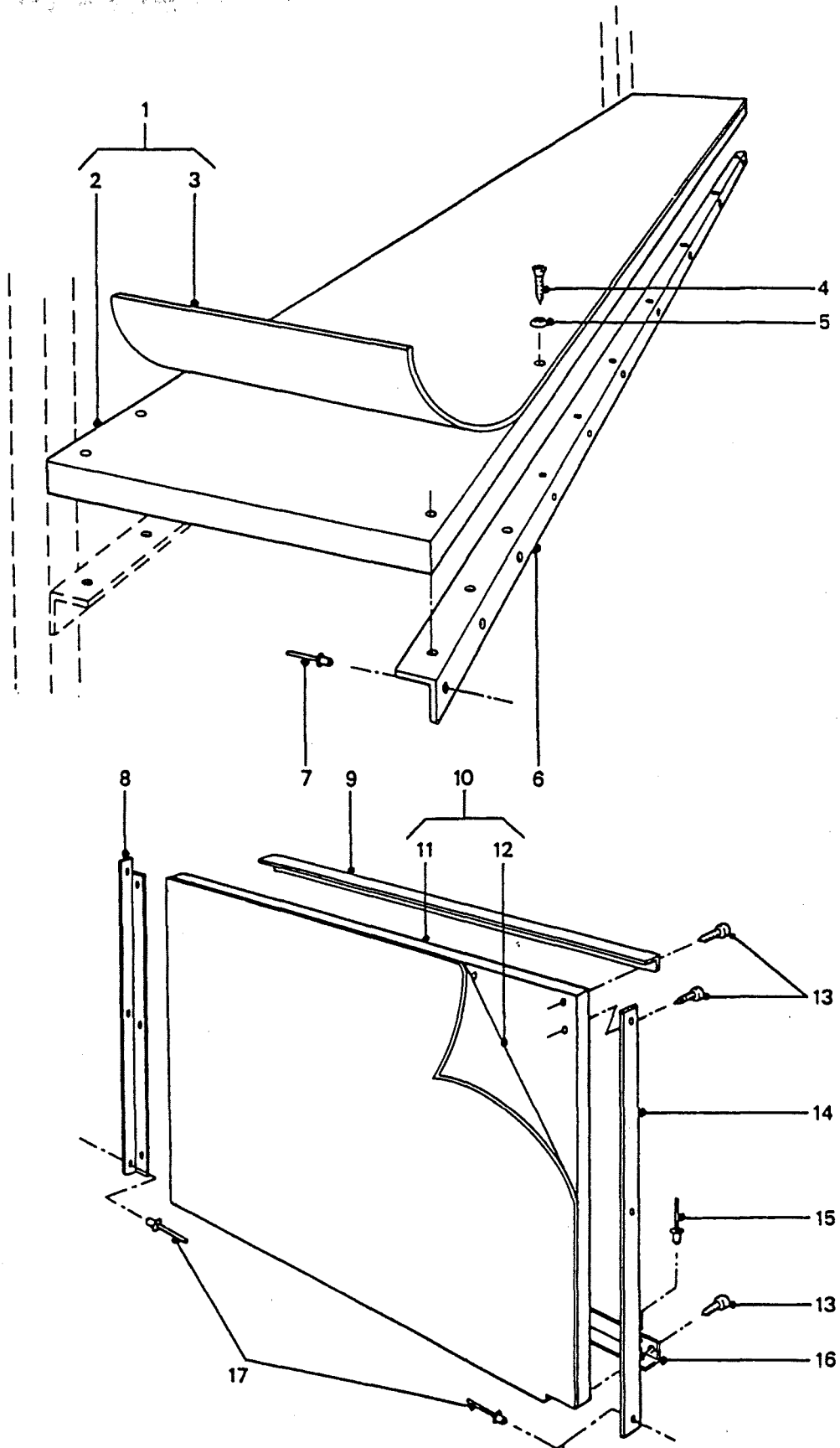
<u>ITEM</u>	<u>PART NO.</u>	<u>DESCRIPTION</u>	<u>NSN</u>	<u>2185</u>	<u>2186</u>	<u>2208</u>	<u>2209</u>	<u>2210</u>	<u>2211</u>	<u>2212</u>	<u>2219</u>	<u>CP</u>
1	HYM96	BENCH ASSY-FRONT-CENTRE- COMPLETE							1			
2	NSS											
3	HYM101	RETAINER-BENCH TOP COVER							1			
4	HYL9965	POP RIVET							18			
5	HYM97	DRAWER-FRONT-CENTRE BENCH							1			
6	HYM98	MAT-DRAWER							1			
7	HYM99	COVER-BENCH							1			
8	HYM10	RIVET							8			
9	NY108041L	NUT-NYLOC	5310-99-122-5496						6			
10	WA108051L	WASHER-PLAIN	5310-99-122-6475						9			
11	HYL9973	"E" CLIP							2			
12	HYL9972	LEVER-RELEASE-DRAWER RUNNER							1			
13	SH108501L	SCREW	5305-99-136-3260						3			
14	HYM100	STRIP-PROTECTION							1			
15	NSS								1			
16	HYL9975	STRIP-ANTI FRICTION -DRAWER RUNNER							4			
17	NY106041L	NUT-NYLOC	5310-99-138-8423						6			
18	SE106161L	SCREW	5305-99-135-0440						6			
19	HYL9952	POP RIVET							20			
20	NSS											
21	NSS											
22	FS108251	SCREW	5305-99-122-5367						3			

CHANGE POINT

ARN INTRODUCTION

Nov 1995

GROUP WFJ/1



**STOWAGE PANELS
- AMBULANCE**

PERENTIE LAND ROVER PARTS LIST

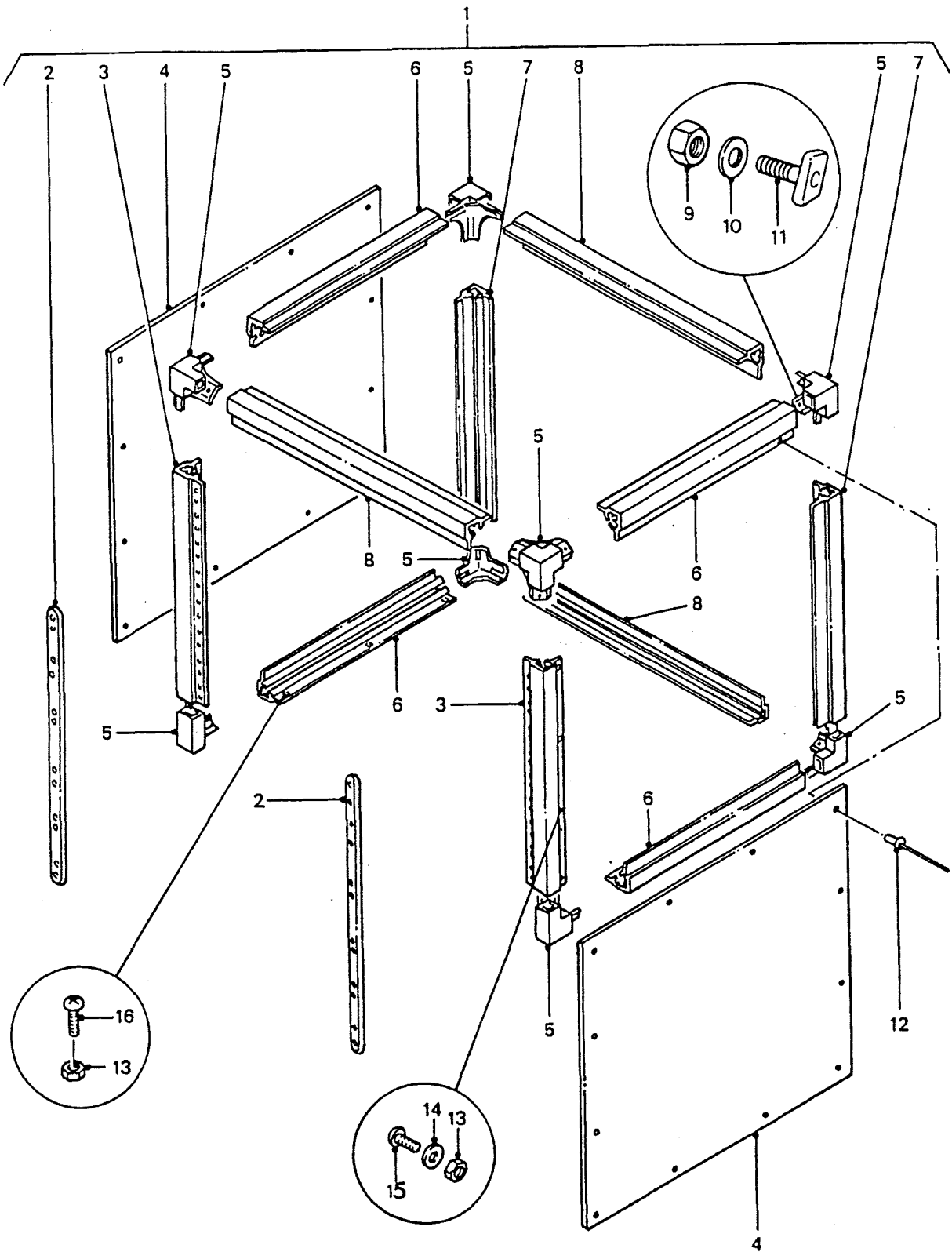
WFJ /1/1 STOWAGE PANELS - AMBULANCE

ITEM	PART NO.	DESCRIPTION	NSN	DERIVATIVE CODE										
				2185	2186	2208	2209	2210	2211	2212	2219	CP		
1	HYL9096	FLOOR ASSY							2					
2	NSS													
3	NSS													
4	AC608101	SCREW							40					
5	HYL9097	WASHER-CUP							40					
6	HYL9098	ANGLE-STRETCHER STOWAGE							2					
7	RU612123	POP RIVET	5320-66-128-4684						20					
8	HYL9120	ANGLE-LITTER LAMP PANEL MOUNTING							2					
9	HYL9099	ANGLE-LITTER LAMP PANEL MOUNTING							2					
10	HYL9121	PANEL-LITTER LAMP							1					
11	NSS													
12	NSS													
13	AC606031L	SCREW	5305-66-128-5091						18					
14	HYL9100	ANGLE-LITTER LAMP PANEL MOUNTING							2					
15	HYL9113	POP RIVET							6					
16	HYL9101	ANGLE-LITTER LAMP PANEL MOUNTING							2					
17	HYL9114	POP RIVET							6					

CHANGE POINT

ARN INTRODUCTION

GROUP WFJ/2



ELECTRICAL INSTRUMENT STOWAGE RACK ASSEMBLY - ERV

PERENTIE LAND ROVER PARTS LIST

WFJ /2/1

ELECTRICAL INSTRUMENT STOWAGE RACK ASSEMBLY - ERV

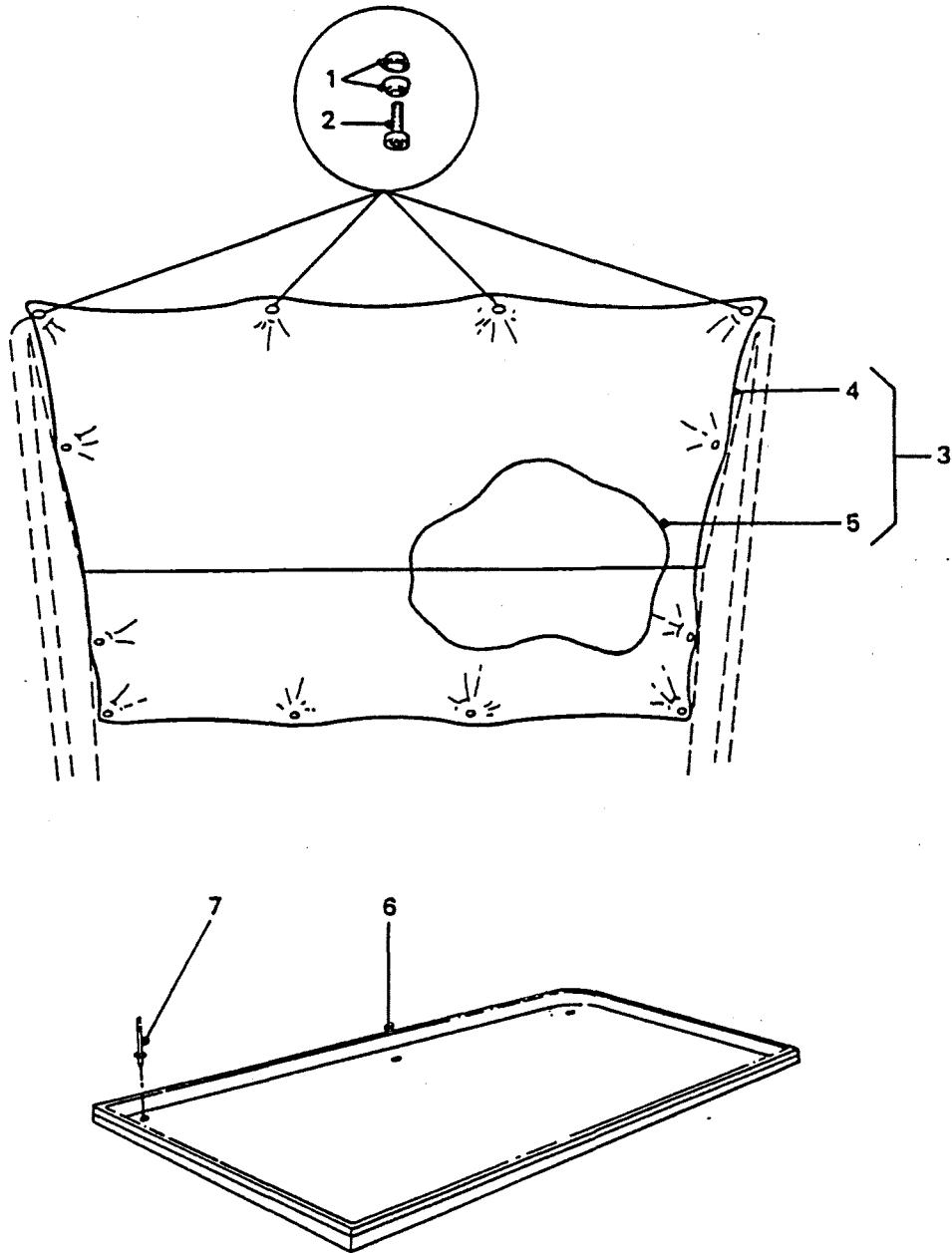
DERIVATIVE CODE

<u>ITEM</u>	<u>PART NO.</u>	<u>DESCRIPTION</u>	<u>NSN</u>	<u>2185</u>	<u>2186</u>	<u>2208</u>	<u>2209</u>	<u>2210</u>	<u>2211</u>	<u>2212</u>	<u>2219</u>	<u>CP</u>
1	HYM13	RACK-STOWAGE										1
2	NSS											
3	NSS											
4	NSS											
5	NSS											
6	NSS											
7	NSS											
8	NSS											
9	NH105041L	NUT	5310-66-098-4400									22
10	VC105001L	WASHER-PLAIN	5310-99-122-3032									22
11	HYM50	BOLT										22
12	HYL9927	POP RIVET										24
13	NY106041L	NUT-NYLOC	5310-99-138-8423									7
14	WA106001L	WASHER-PLAIN										4
15	SE106401	SCREW										4
16	SE106251L	SCREW	5305-99-1235-044									3

CHANGE POINT

ARN INTRODUCTION

GROUP WFK/1



**PROTECTION TRIM AND INSTRUMENT TRAY
- AMBULANCE**

PERENTIE LAND ROVER PARTS LIST

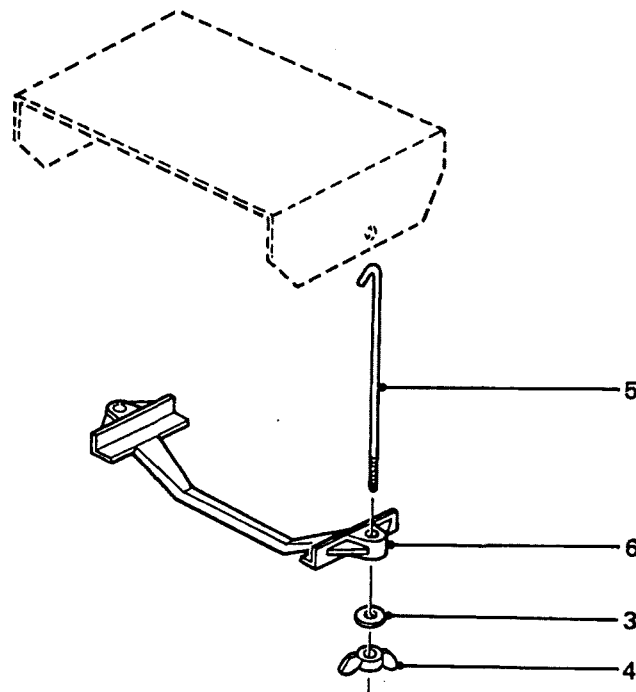
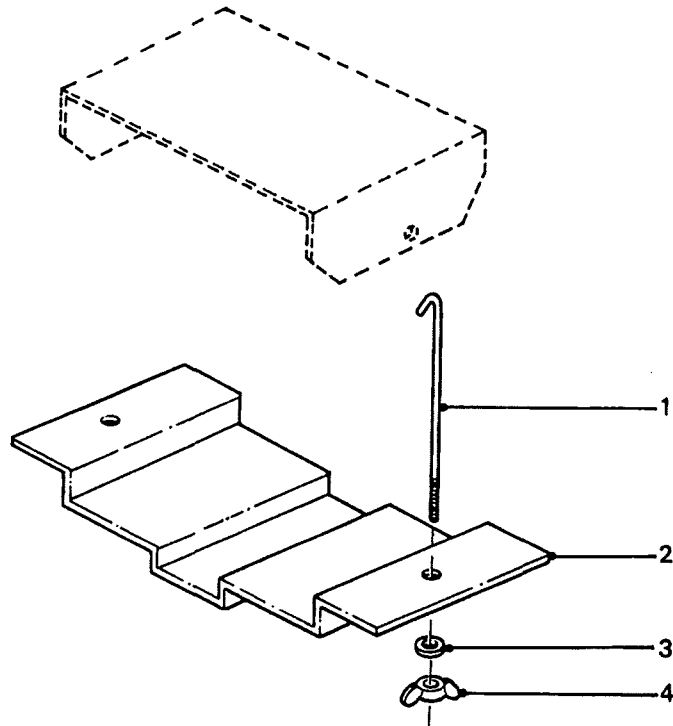
WFK /1/1 PROTECTION TRIM AND INSTRUMENT TRAY - AMBULANCE

DERIVATIVE CODE

<u>ITEM</u>	<u>PART NO.</u>	<u>DESCRIPTION</u>	<u>NSN</u>	<u>2185</u>	<u>2186</u>	<u>2208</u>	<u>2209</u>	<u>2210</u>	<u>2211</u>	<u>2212</u>	<u>2219</u>	<u>CP</u>
1	HYL9335	WASHER-CUP								2		
2	AB606031L	SCREW	5305-99-901-9736							12		
3	HYL9336	COVER ASSY -PROTECTION								1		
4	NSS											
5	NSS											
6	HYL9337	TRAY-TABLE-LH								1		
	HYL9338	TRAY-TABLE-RH								1		
7	HYL9114	POP RIVET								12		

CHANGE POINT

ARN INTRODUCTION

GROUP WFK/2**BATTERY CHARGER & TRANSFORMER
MOUNTING BRACKETS – GMV**

PERENTIE LAND ROVER PARTS LIST

WFK /2/1

BATTERY CHARGER & TRANSFORMER MOUNTING BRACKETS - GMV

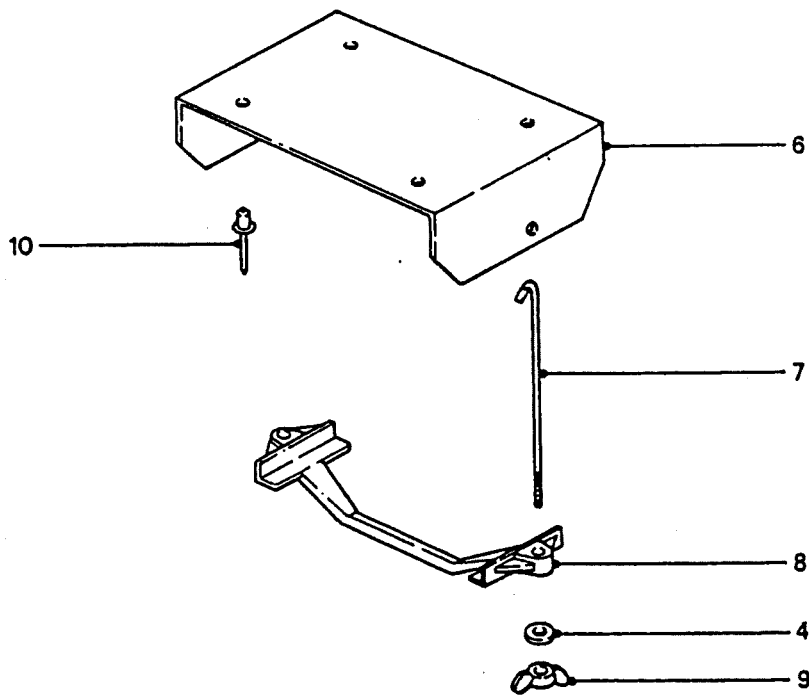
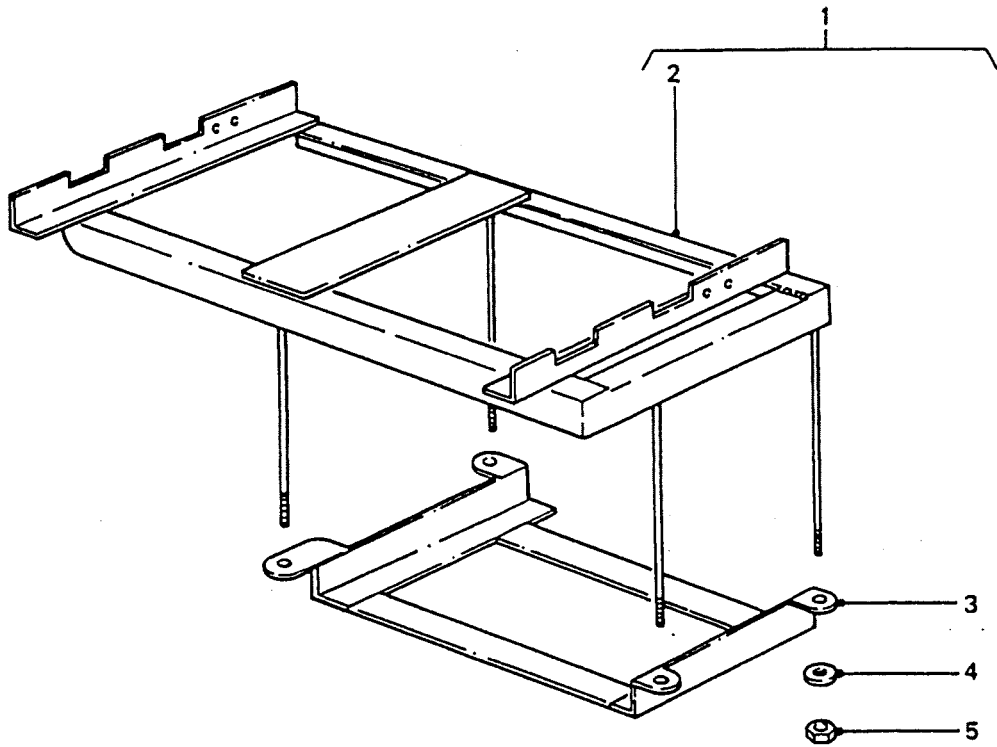
DERIVATIVE CODE

<u>ITEM</u>	<u>PART NO.</u>	<u>DESCRIPTION</u>	<u>NSN</u>	<u>2185</u>	<u>2186</u>	<u>2208</u>	<u>2209</u>	<u>2210</u>	<u>2211</u>	<u>2212</u>	<u>2219</u>	<u>CP</u>
1	HYM365	"J" BOLT										2
2	HYM366	BRACKET-TRANSFORMER MOUNTING										1
3	WA106001L	WASHER-PLAIN										4
4	AFU1272	WING NUT	5310-99-730-9625									4
5	HYM57	"J" BOLT										2
6	HYM58	CLAMP-CHARGER										1

CHANGE POINT

ARN INTRODUCTION

GROUP WFK/3



**BATTERY CHARGER AND TRANSFORMER
MOUNTING BRACKETS - ERV**

PERENTIE LAND ROVER PARTS LIST

WFK /3/1

BATTERY CHARGER AND TRANSFORMER MOUNTING BRACKETS - ERV

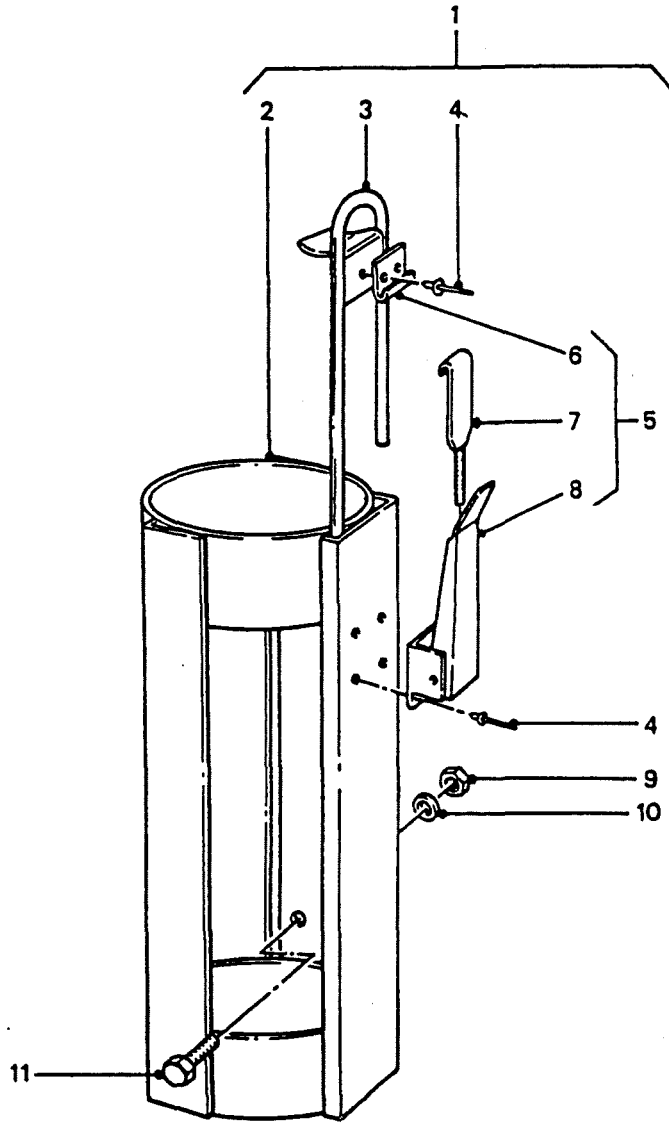
DERIVATIVE CODE

<u>ITEM</u>	<u>PART NO.</u>	<u>DESCRIPTION</u>	<u>NSN</u>	<u>2185</u>	<u>2186</u>	<u>2208</u>	<u>2209</u>	<u>2210</u>	<u>2211</u>	<u>2212</u>	<u>2219</u>	<u>CP</u>
1	HYM54	BRACKET ASSY-TRANSFORMER MOUNTING										1
2	NSS											
3	HYM55	PLATE-BASE										1
4	WA106001L	WASHER-PLAIN										6
5	NY106041L	NUT-NYLOC	5310-99-138-8423									4
6	HYM56	BRACKET-CHARGER MOUNTING										1
7	HYM57	"J" BOLT										2
8	HYM58	CLAMP-CHARGER										1
9	AFU1272	WING NUT	5310-99-730-9625									2
10	HYL9965	POP RIVET										4

CHANGE POINT

ARN INTRODUCTION

GROUP WFL/1



**OXYGEN CYLINDER MOUNTING BRACKET
ASSEMBLY – AMBULANCE**

PERENTIE LAND ROVER PARTS LIST

WFL /1/1

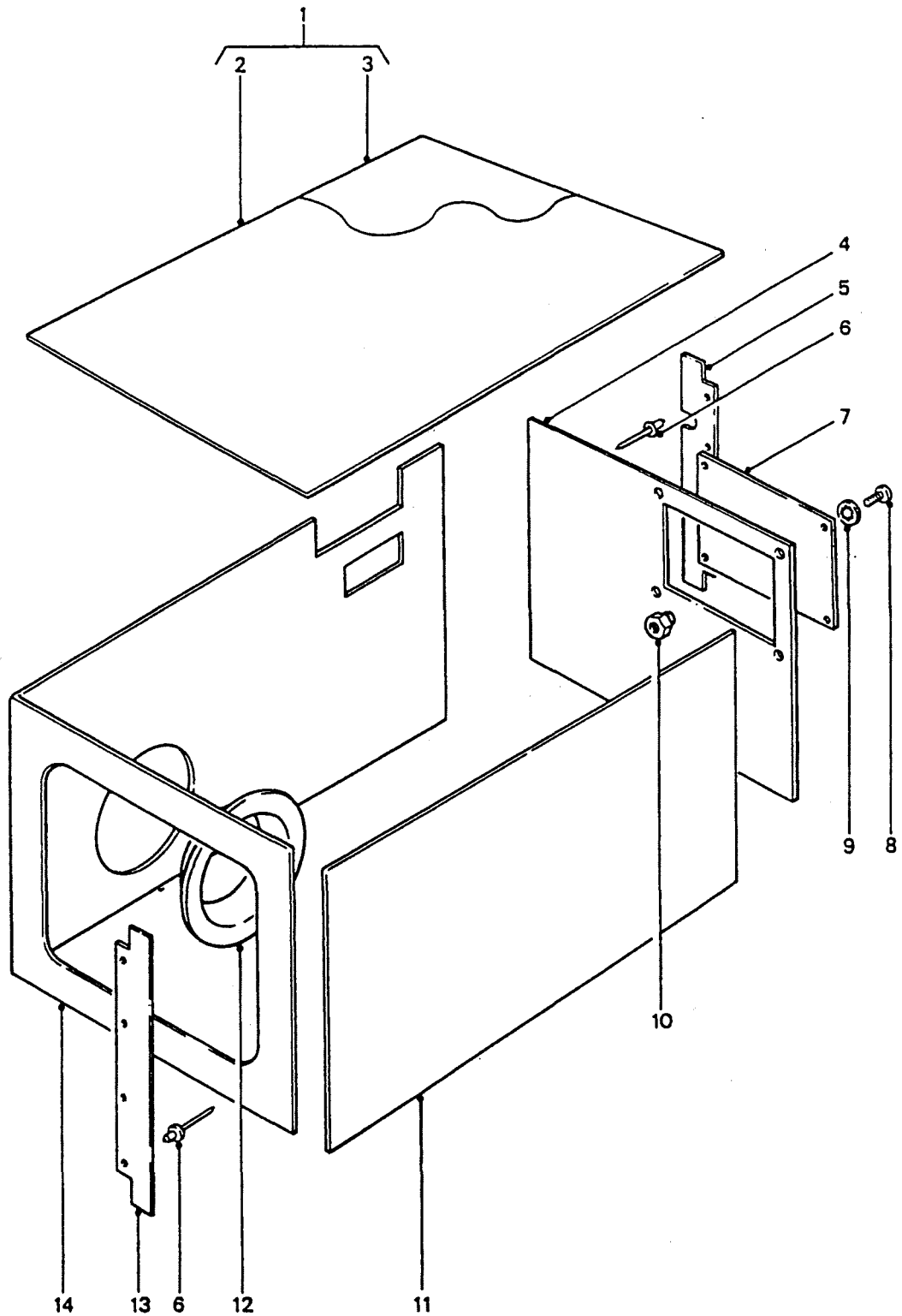
OXYGEN CYLINDER MOUNTING BRACKET ASSEMBLY - AMBULANCE

DERIVATIVE CODE

<u>ITEM</u>	<u>PART NO.</u>	<u>DESCRIPTION</u>	<u>NSN</u>	<u>2185</u>	<u>2186</u>	<u>2208</u>	<u>2209</u>	<u>2210</u>	<u>2211</u>	<u>2212</u>	<u>2219</u>	<u>CP</u>
1	HYL9102	BRACKET ASSY-OXYGEN (INCLUDES ITEMS 2-8)										2
2	NSS											
3	NSS											
4	HYL9112	POP RIVET										6
5	HYL9103	FASTENER ASSY										1
6	NSS											
7	NSS											
8	NSS											
9	Y108041L	NUT-NYLOC	5310-99-122-5496									4
10	WA108051L	WASHER-PLAIN	5310-99-122-6475									4
11	FS108161	SCREW	5305-99-122-5365									4

CHANGE POINT

ARN INTRODUCTION

GROUP WFL/2

**EXTERIOR LOCKER ACCESS PANEL,
INSULATION AND VENT - ERV**

PERENTIE LAND ROVER PARTS LIST

WFL /2/1

EXTERIOR LOCKER ACCESS PANEL, INSULATION AND VENT - ERV

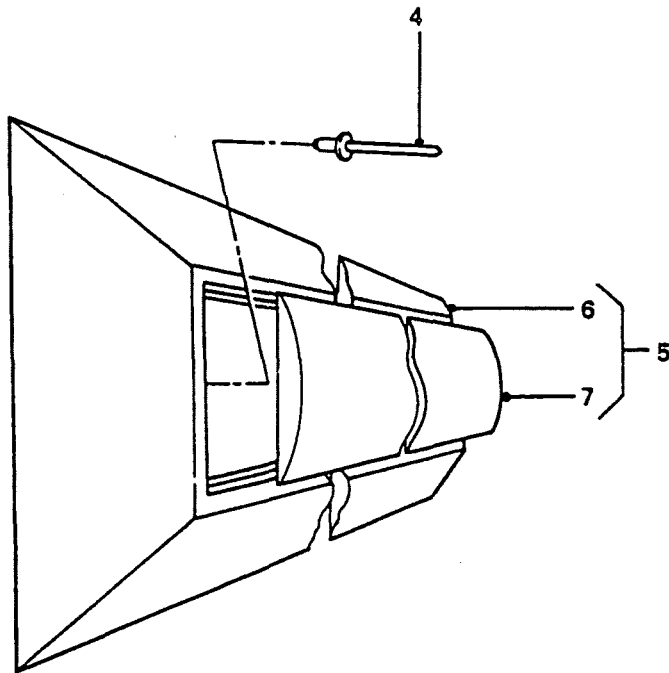
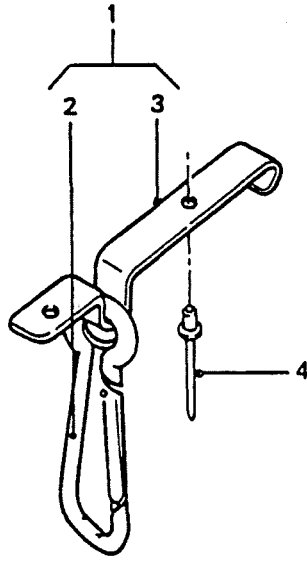
DERIVATIVE CODE

<u>ITEM</u>	<u>PART NO.</u>	<u>DESCRIPTION</u>	<u>NSN</u>	<u>2185</u>	<u>2186</u>	<u>2208</u>	<u>2209</u>	<u>2210</u>	<u>2211</u>	<u>2212</u>	<u>2219</u>	<u>CP</u>
1	NSS											
2	NSS											
3	NSS											
4	NSS											
5	NSS											
6	HYL9927	POP RIVET									8	
7	NSS											
8	SE106121L	SCREW	5305-99-122-5289								4	
9	WF106001L	WASHER-LOCK	5310-66-128-4931								4	
10	HYM59	NUT									4	
11	NSS											
12	HYM60	VENT-AIR CON									1	
13	NSS											
14	NSS											

CHANGE POINT

ARN INTRODUCTION

GROUP WFM/1



RUBBER BUMP STRIP AND CARABINA HOOK ASSEMBLIES – AMBULANCE

PERENTIE LAND ROVER PARTS LIST

WFM /1/1 RUBBER BUMP STRIP AND CARABINA HOOK ASSEMBLIES - AMBULANCE

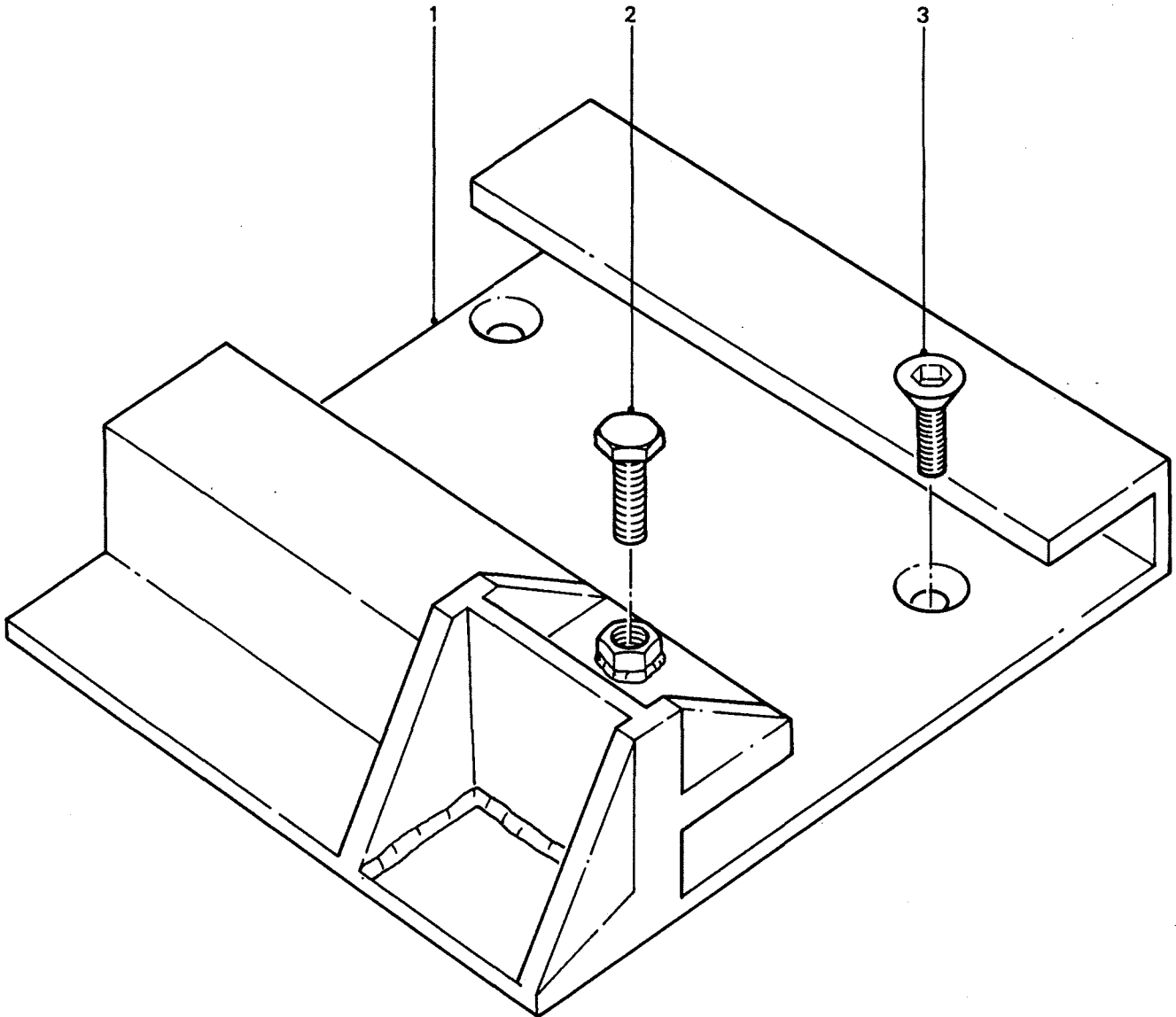
DERIVATIVE CODE

<u>ITEM</u>	<u>PART NO.</u>	<u>DESCRIPTION</u>	<u>NSN</u>	<u>2185</u>	<u>2186</u>	<u>2208</u>	<u>2209</u>	<u>2210</u>	<u>2211</u>	<u>2212</u>	<u>2219</u>	<u>CP</u>
1	HYL9104	HOOK ASSY-CARABINA										6
2	NSS											
3	NSS											
4	RU608123L	POP RIVET	5320-66-128-4634									1
5	HYL9105	STRIP-BUMP-ROOF										4
	HYL9106	STRIP-BUMP-WALL										2
6	NSS											
7	NSS											

CHANGE POINT

ARN INTRODUCTION

GROUP WFM/2



**VICE HOLD-DOWN BRACKET
- GMV AND ERV**

PERENTIE LAND ROVER PARTS LIST

WFM /2/1 VICE HOLD-DOWN BRACKET - GMV AND ERV

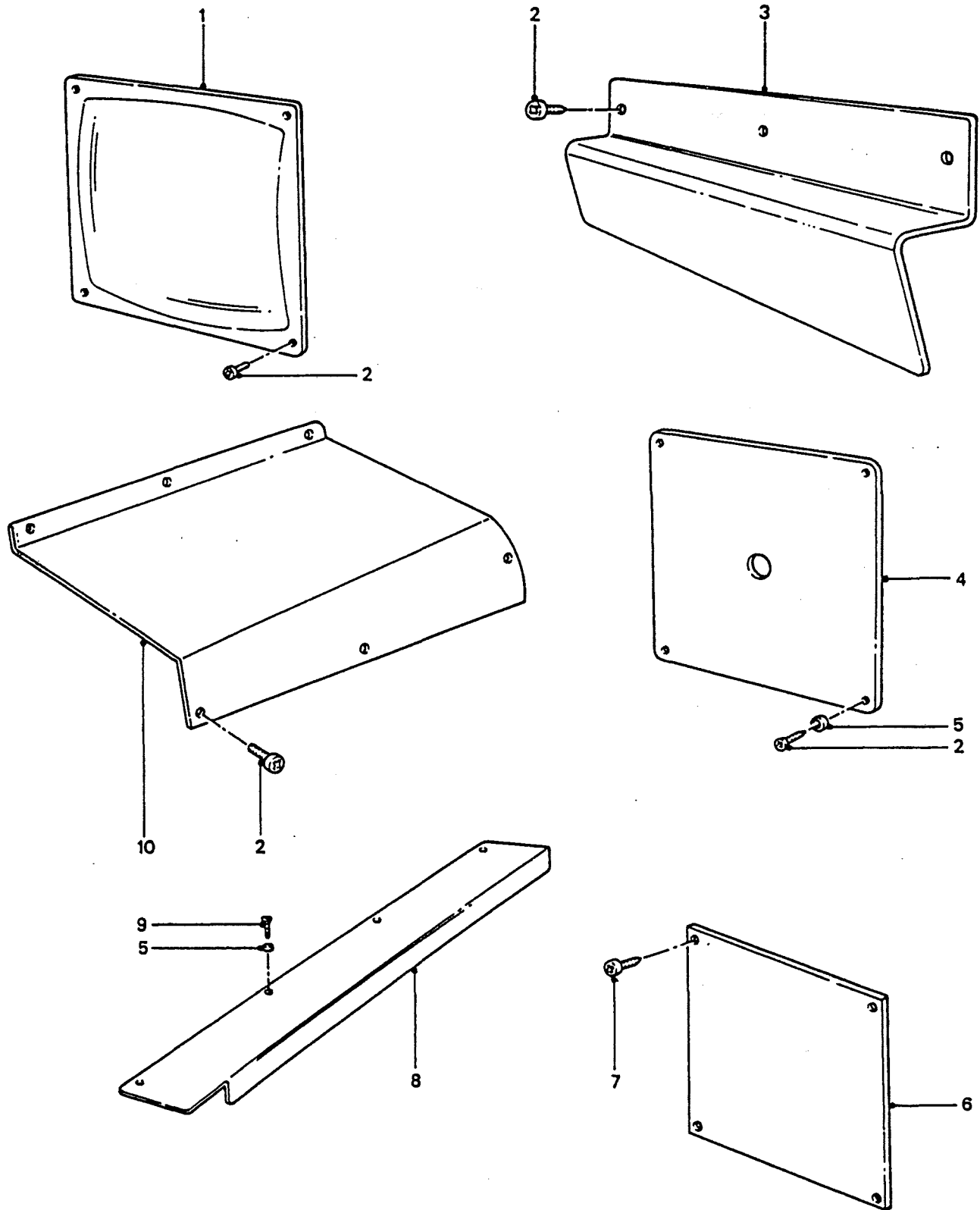
DERIVATIVE CODE

<u>ITEM</u>	<u>PART NO.</u>	<u>DESCRIPTION</u>	<u>NSN</u>	<u>2185</u>	<u>2186</u>	<u>2208</u>	<u>2209</u>	<u>2210</u>	<u>2211</u>	<u>2212</u>	<u>2219</u>	<u>CP</u>
1	HYL9989	BRACKET-VICE						1	1			
2	BH110051	BOLT						1	1			
3	SJ108400	SCREW						4	4			

CHANGE POINT

ARN INTRODUCTION

GROUP WFN/1



**COVER AND RETAINING PLATES
- AMBULANCE**

PERENTIE LAND ROVER PARTS LIST

WFN /1/1 COVER AND RETAINING PLATES - AMBULANCE

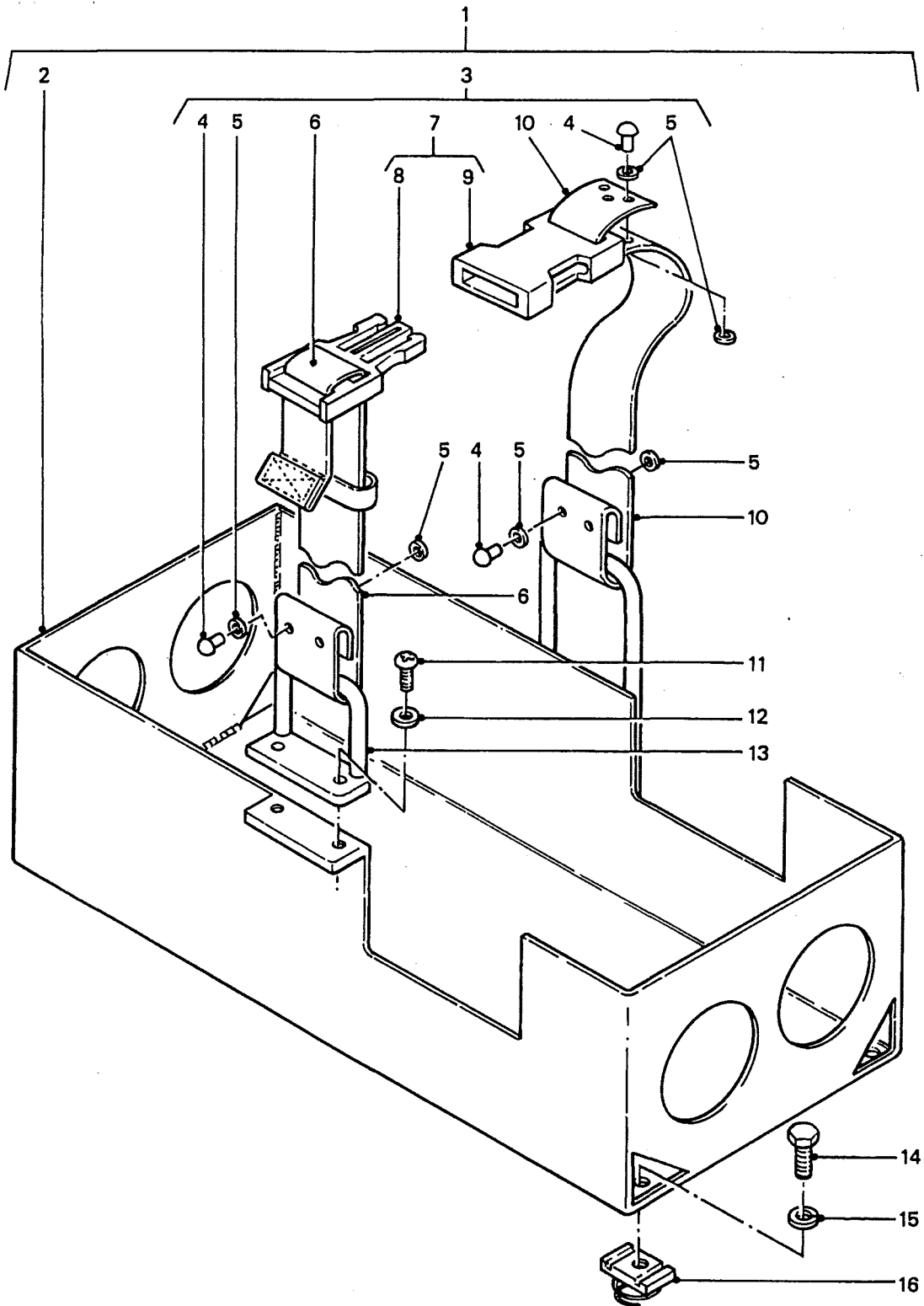
DERIVATIVE CODE

<u>ITEM</u>	<u>PART NO.</u>	<u>DESCRIPTION</u>	<u>NSN</u>	<u>2185</u>	<u>2186</u>	<u>2208</u>	<u>2209</u>	<u>2210</u>	<u>2211</u>	<u>2212</u>	<u>2219</u>	<u>CP</u>
1	HYL9177	PLATE-COVER-WIRING LOOM								2		
2	AB606031L	SCREW	5305-99-901-9736							33		
3	HYL9178	PLATE-RETAINING-SWITCH PANEL								1		
4	HYL9179	PLATE-AIR COND. DRAINS								2		
5	HYL9097	WASHER-CUP								12		
6	HYL9180	PLATE-COVER -HEATER TAP								1		
7	AB606051L	SCREW	5305-66-016-0723							8		
8	HYL9181	PLATE-COVER-BED PAN LOCKER-LH								1		
	HYL9182	PLATE-COVER-BED PAN LOCKER-RH								1		
9	AC606051	SCREW								8		
10	HYL9183	PLATE-COVER-WIRING LOOM								1		
	HYL9330	PLATE-COVER-BLANKET STOWAGE AREA-REAR WALL								1		
	HYL9331	PLATE-COVER-LITTER LIGHT PANEL STOWAGE AREA FLOOR								2		
	HYL9332	PLATE-COVER-INSIDE-LH MEDICAL LOCKER								1		
	HYL9333	PLATE-COVER-JUNCTION BOX								1		
	HYL9334	STRIP-COVER -420MM LONG								1		
	RU608123L	POP RIVET-STRIP	5320-66-128-4634							14		

CHANGE POINT

ARN INTRODUCTION

Nov 1995

GROUP WFN/2

**JERRYCAN STORAGE TRAY ASSEMBLY
- GMV AND ERV**

PERENTIE LAND ROVER PARTS LIST

WFN /2/1 JERRICAN STOWAGE TRAY ASSEMBLY - GMV AND ERV

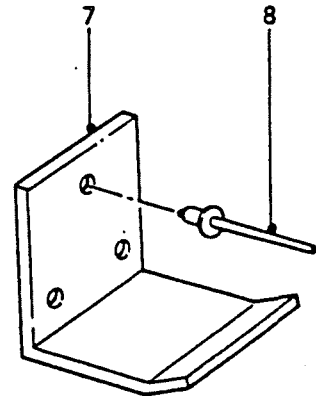
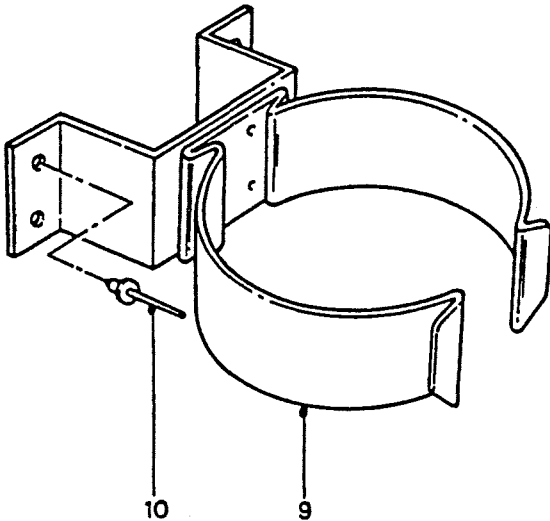
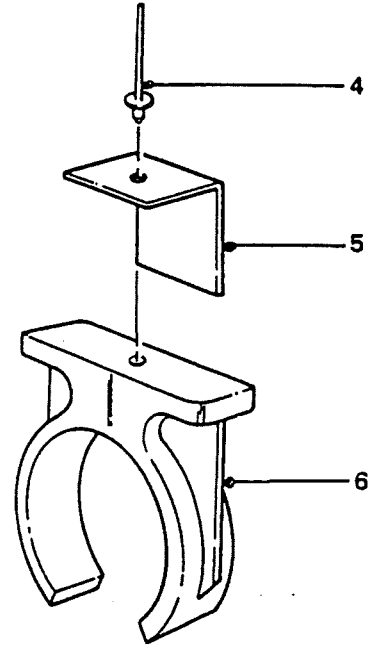
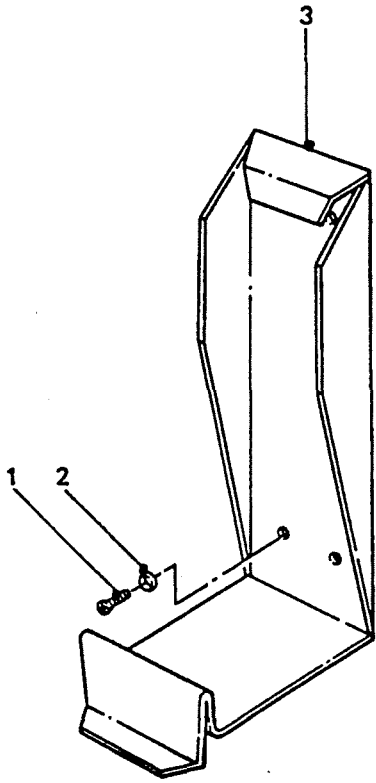
DERIVATIVE CODE

<u>ITEM</u>	<u>PART NO.</u>	<u>DESCRIPTION</u>	<u>NSN</u>	<u>2185</u>	<u>2186</u>	<u>2208</u>	<u>2209</u>	<u>2210</u>	<u>2211</u>	<u>2212</u>	<u>2219</u>	<u>CP</u>
1	HYM11	BIN-JERRICAN STOWAGE (INCLUDES ITEMS 2-13)						2	2			
2	NSS											
3	HYM9	STRAP ASSY-JERRYCAN STOWAGE						1	1			
4	HYM10	RIVET						7	7			
5	WA105001L	WASHER-PLAIN	5310-99-122-3032					14	14			
6	NSS											
7	NSS											
8	NSS											
9	NSS											
10	NSS											
11	SE106121L	SCREW	5305-99-122-5289					2	2			
12	WA106001L	WASHER-PLAIN						2	2			
13	HYM12	BRACKET-STRAP RETENTION						1	1			
14	SH110201L	BOLT	5305-99-122-4909					4	4			
15	WM110001L	WASHER-LOCK	5310-99-135-4103					4	4			
16	HYL9967	NUT ASSY						4	4			

CHANGE POINT

ARN INTRODUCTION

GROUP WFP/1



EQUIPMENT HOLDING BRACKETS - AMBULANCE

PERENTIE LAND ROVER PARTS LIST

WFP /1/1 **EQUIPMENT HOLDING BRACKETS - AMBULANCE**

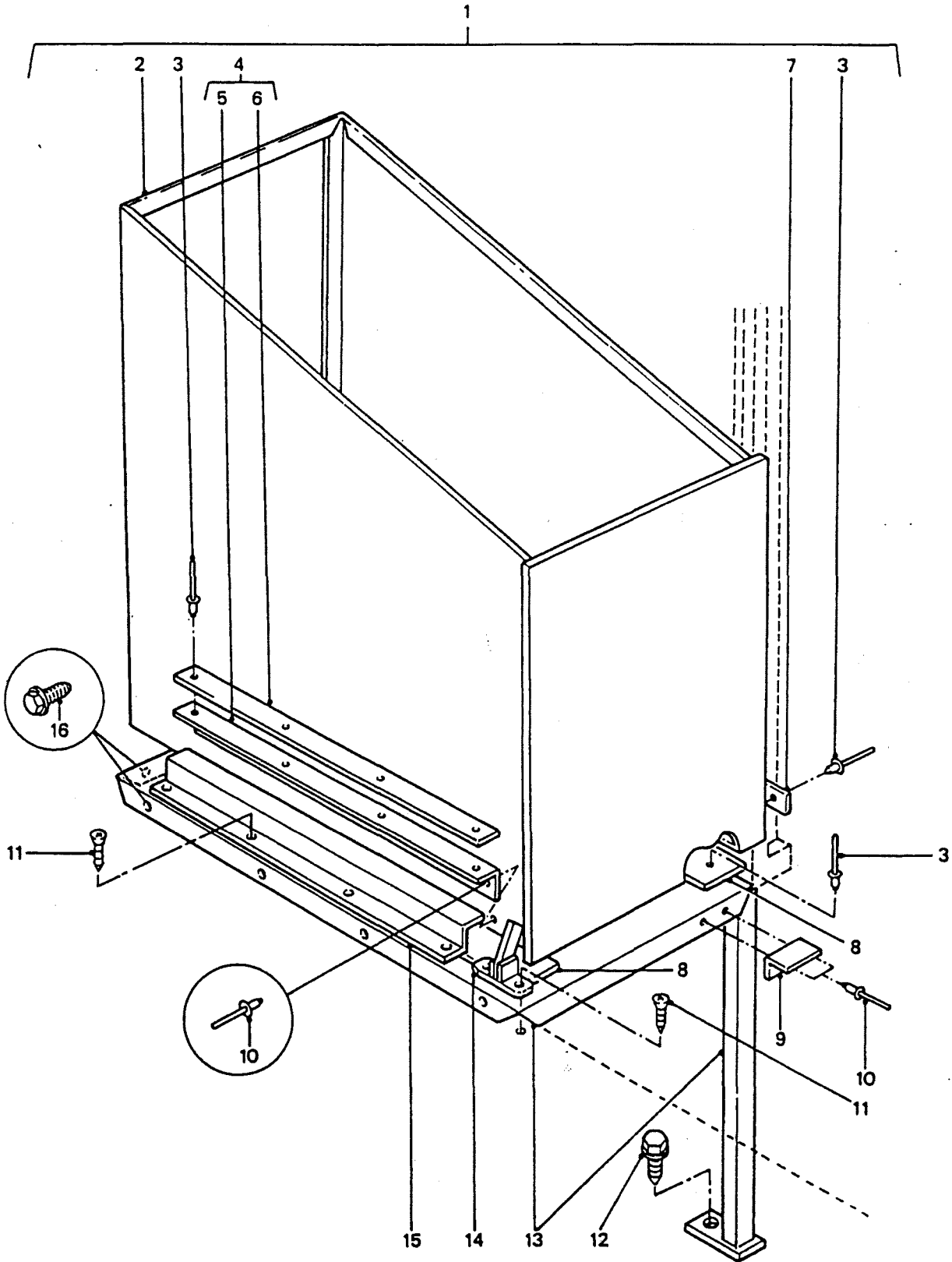
DERIVATIVE CODE

<u>ITEM</u>	<u>PART NO.</u>	<u>DESCRIPTION</u>	<u>NSN</u>	<u>2185</u>	<u>2186</u>	<u>2208</u>	<u>2209</u>	<u>2210</u>	<u>2211</u>	<u>2212</u>	<u>2219</u>	<u>CP</u>
1	AC606051	SCREW				8						
2	HYL9097	WASHER-CUP				8						
3	HYL9170	HOLDER-BOTTLE				2						
4	HYL9171	POP RIVET				1						
5	HYL9172	BRACKET-RIGHT ANGLE				1						
6	HYL9173	CLAMP-OXYGEN MASK				1						
7	HYL9174	BRACKET-STRETCHER SECURING				4						
8	RU612123	POP RIVET	5320-66-128-4684			6						
9	HYL9175	HOLDER-BOTTLE				1						
10	HYL9176	POP RIVET				4						

CHANGE POINT

ARN INTRODUCTION

GROUP WFP/2



**ELECTRICAL LEAD STOWAGE BIN ASSEMBLY
- ERV**

PERENTIE LAND ROVER PARTS LIST

WFP /2/1 ELECTRICAL LEAD STOWAGE BIN ASSEMBLY - ERV

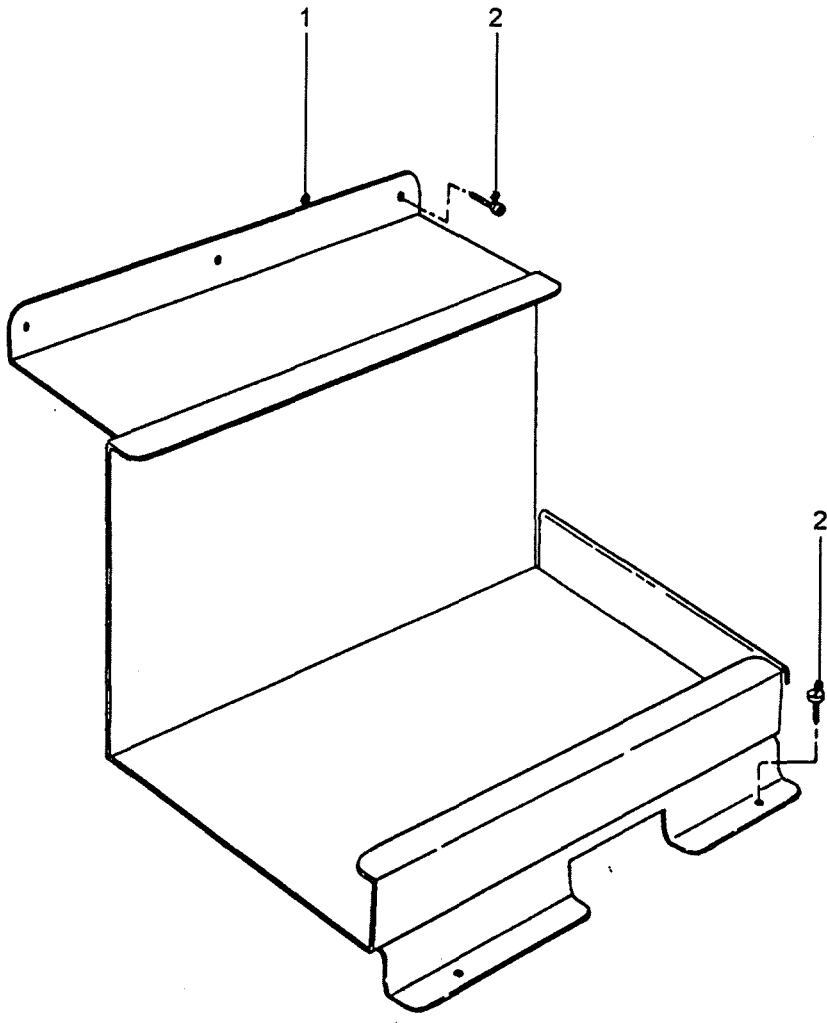
DERIVATIVE CODE

<u>ITEM</u>	<u>PART NO.</u>	<u>DESCRIPTION</u>	<u>NSN</u>	<u>2185</u>	<u>2186</u>	<u>2208</u>	<u>2209</u>	<u>2210</u>	<u>2211</u>	<u>2212</u>	<u>2219</u>	<u>CP</u>
1	HYM102	BIN ASSY-ELECTRICAL LEAD STOWAGE										1
2	NSS											
3	HYL9927	POP RIVET										16
4	HYM104	RUNNER ASSY-BIN SLIDE										1
5	NSS											
6	HYM103	STRIP-RUNNER										1
7	HYM105	STRIP-ANTI FRICTION										1
8	HYM106	STRIP-ANTI FRICTION										2
9	HYM107	BRACKET-BIN RETENTION										1
10	HYL9945	POP RIVET										5
11	HYL9991	SCREW										6
12	HYM108	SCREW-TEK										1
13	HYM109	BASE-BIN STOWAGE										1
14	HYM110	LOCK-BIN STOWAGE										1
15	HYM111	RETAINER-RUNNER										1
16	HYM112	SCREW-TEK										6

CHANGE POINT

ARN INTRODUCTION

GROUP WFQ/1



**TISSUE BOX HOLDER
- AMBULANCE**

PERENTIE LAND ROVER PARTS LIST

WFQ /1/1 TISSUE BOX HOLDER - AMBULANCE

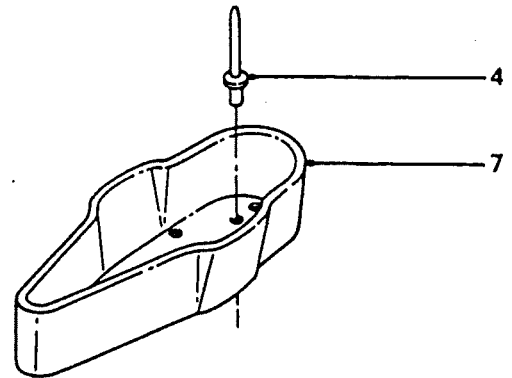
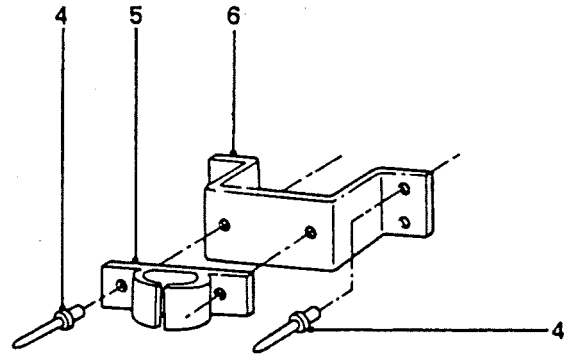
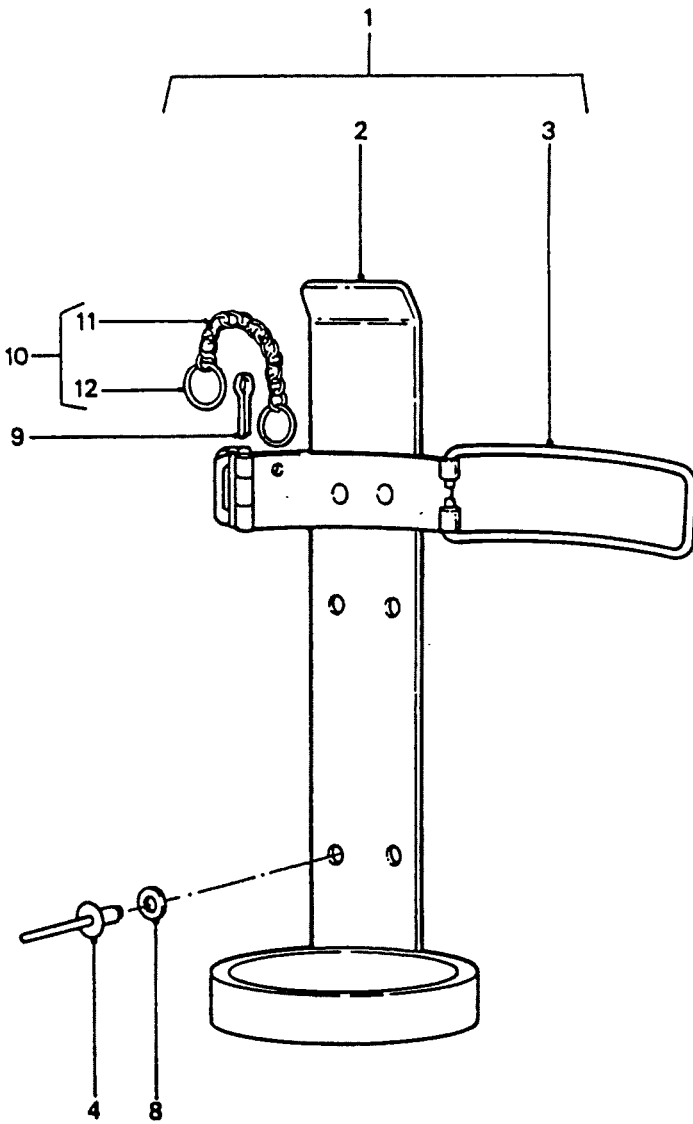
DERIVATIVE CODE

<u>ITEM</u>	<u>PART NO.</u>	<u>DESCRIPTION</u>	<u>NSN</u>	<u>2185</u>	<u>2186</u>	<u>2208</u>	<u>2209</u>	<u>2210</u>	<u>2211</u>	<u>2212</u>	<u>2219</u>	<u>CP</u>
1	HYL9107	HOLDER-BOX				1						
2	AB606031L	SCREW	5305-99-901-9736			5						

CHANGE POINT

ARN INTRODUCTION

Nov 1995

GROUP WFQ/2

**FIRE EXTINGUISHER AND WEAPON MOUNTING
BRACKETS – MODULE – GMV & ERV**

PERENTIE LAND ROVER PARTS LIST

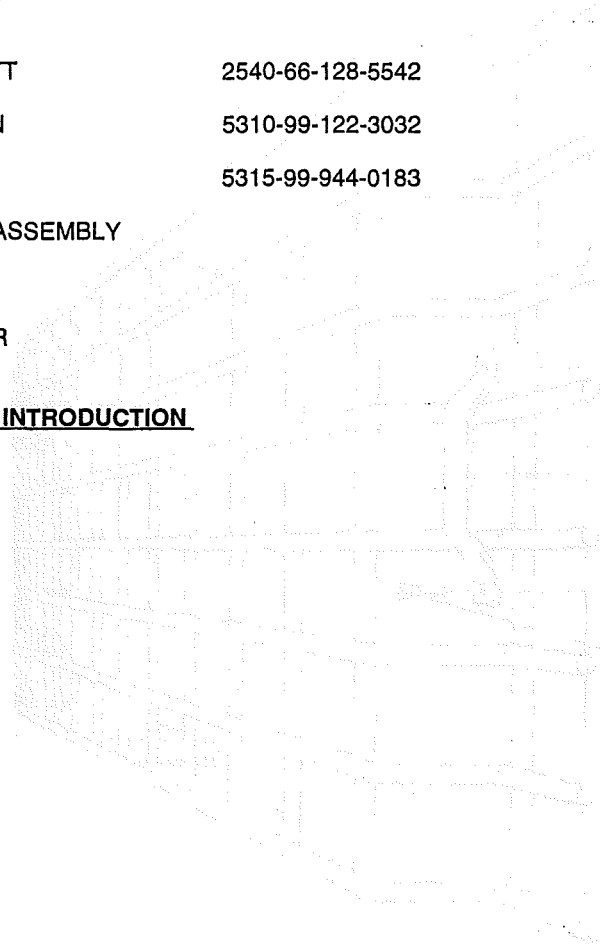
WFQ /2/1 FIRE EXTINGUISHER AND WEAPON MOUNTING BRACKETS - MODULE - GMV & ERV

DERIVATIVE CODE

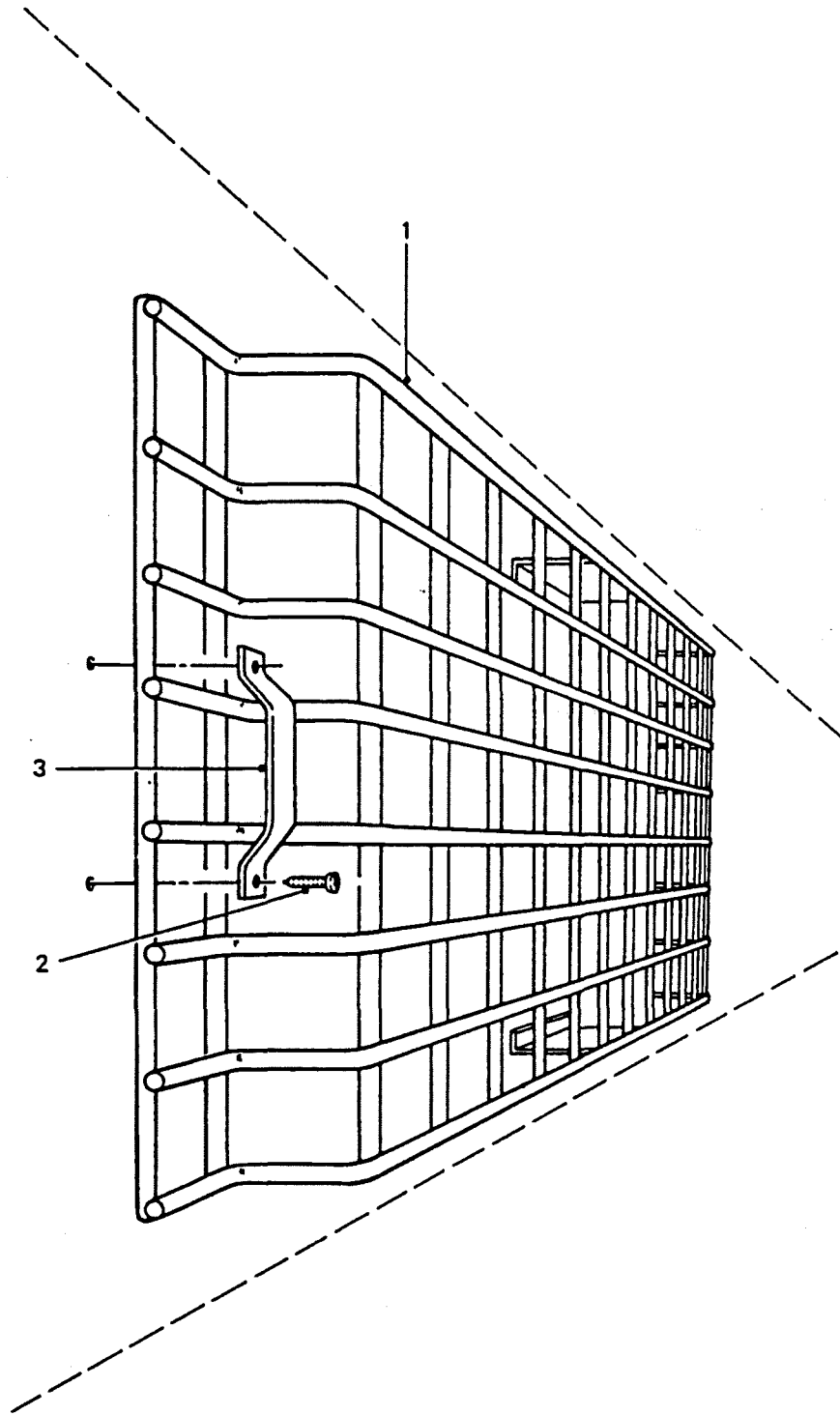
<u>ITEM</u>	<u>PART NO.</u>	<u>DESCRIPTION</u>	<u>NSN</u>	<u>2185</u>	<u>2186</u>	<u>2208</u>	<u>2209</u>	<u>2210</u>	<u>2211</u>	<u>2212</u>	<u>2219</u>	<u>CP</u>
1	NSS											
2	NSS											
3	NSS											
4	HYL9945	POP RIVET					4	10				
5	MYH3386	CLIP-SPRING TENSION	5340-66-128-5508							1		
6	HYM8	BRACKET-WEAPON MOUNTING CLIP								1		
7	HYG3498	BOX-RIFLE BUTT	2540-66-128-5542							1		
8	WA105001L	WASHER-PLAIN	5310-99-122-3032				4	4				
9	PS608101L	SPLIT PIN	5315-99-944-0183				1	1				
10	HYG4885	CHAIN & RING ASSEMBLY					1	1				
11	NSS											
12	MYH2679	RING/RETAINER					2	2				

CHANGE POINT

ARN INTRODUCTION



GROUP WFR/1



**HEATER GRILLE
- AMBULANCE**

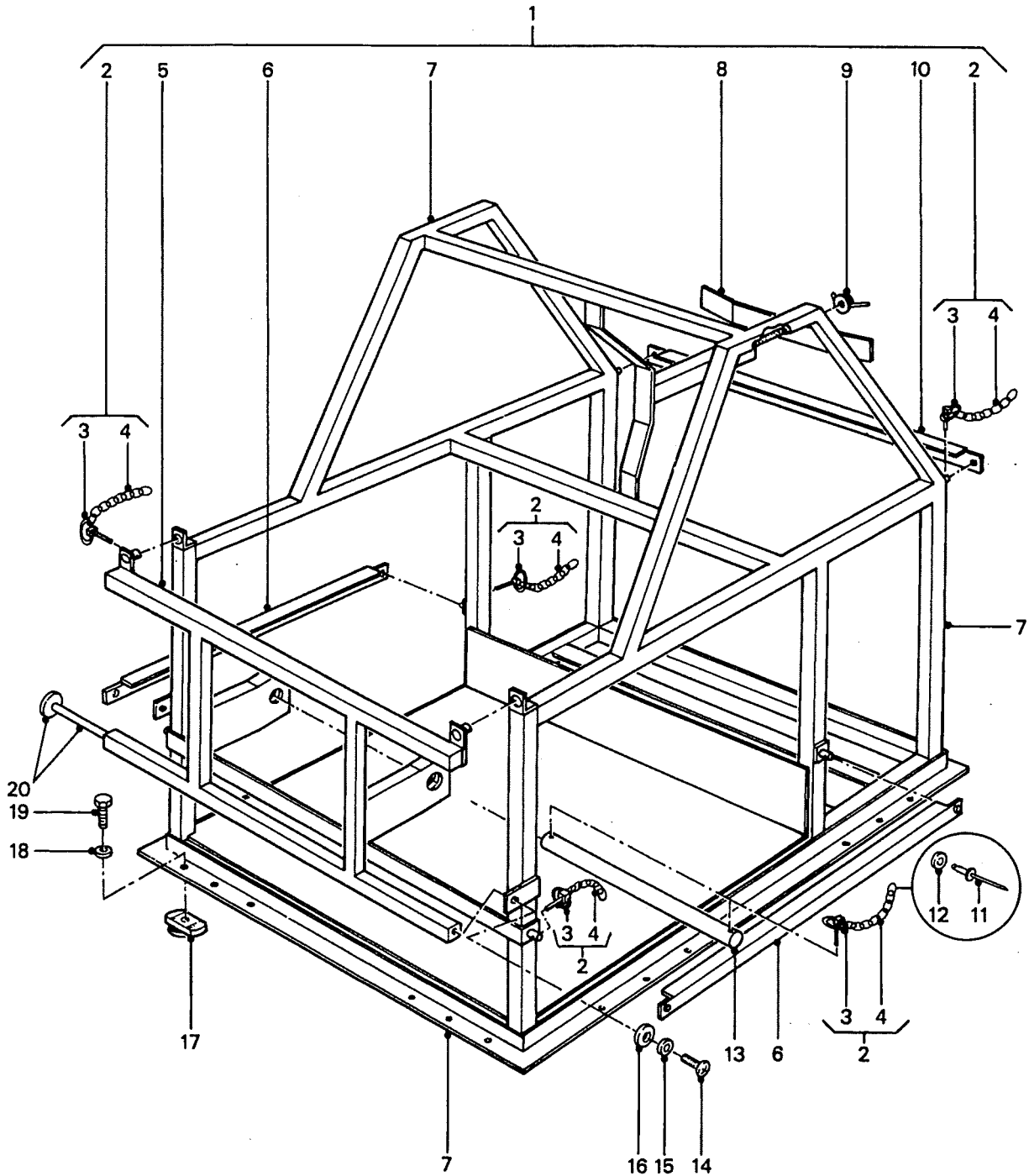
PERENTIE LAND ROVER PARTS LIST

WFR /1/1 HEATER GRILLE - AMBULANCE

<u>ITEM</u>	<u>PART NO.</u>	<u>DESCRIPTION</u>	<u>NSN</u>	<u>DERIVATIVE CODE</u>								
				<u>2185</u>	<u>2186</u>	<u>2208</u>	<u>2209</u>	<u>2210</u>	<u>2211</u>	<u>2212</u>	<u>2219</u>	<u>CP</u>
1	HYL9108	GRILLE-HEATER										1
2	AB606051L	SCREW	5305-66-016-0723									4
3	HYL9109	CLAMP-GRILLE										2

CHANGE POINT

ARN INTRODUCTION

GROUP WFR/2

**OXY-ACETYLENE WELDING KIT
STORAGE ASSEMBLY – GMV**

PERENTIE LAND ROVER PARTS LIST

WFR /2/1 OXY-ACETYLENE WELDING KIT STOWAGE ASSEMBLY - GMV

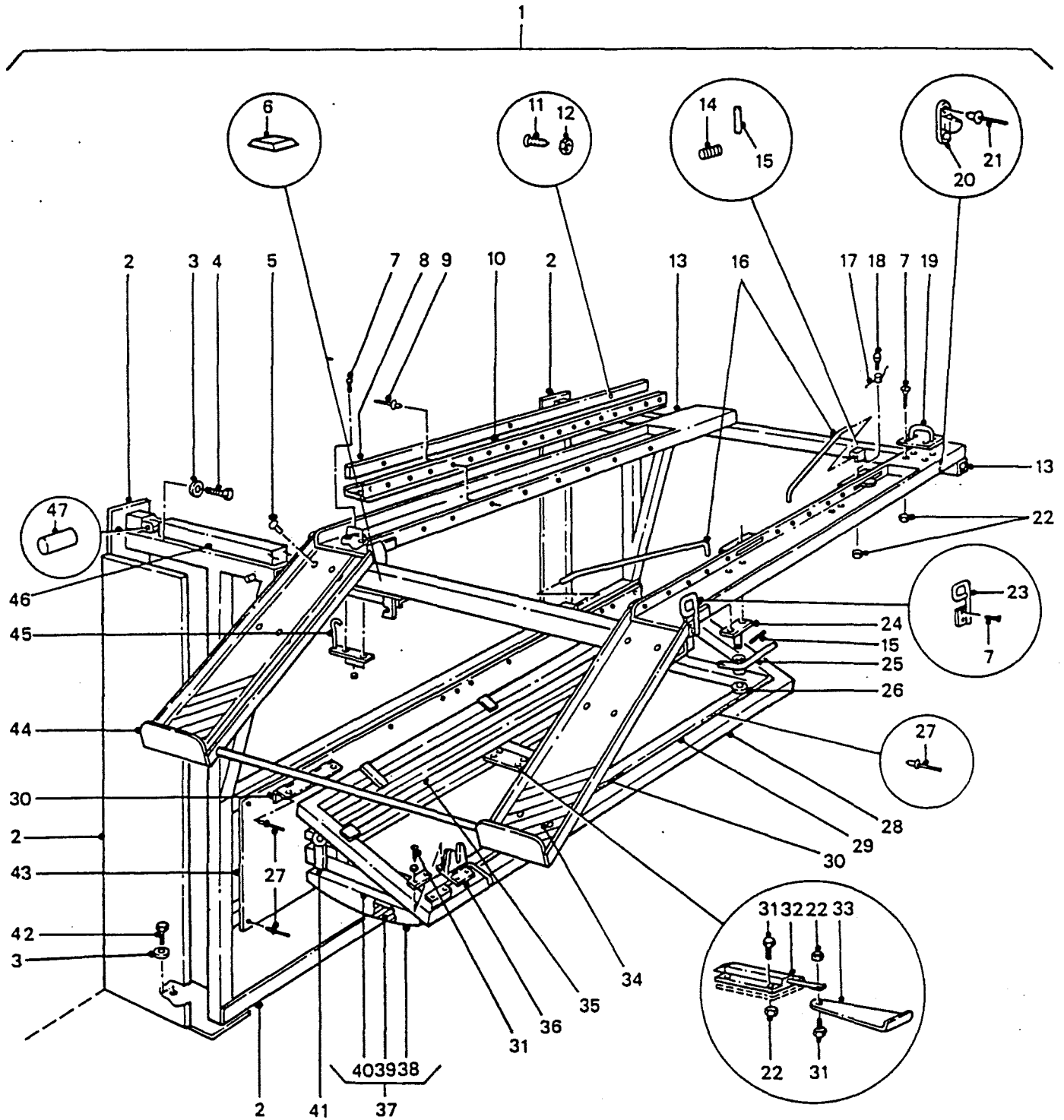
DERIVATIVE CODE

<u>ITEM</u>	<u>PART NO.</u>	<u>DESCRIPTION</u>	<u>NSN</u>	<u>2185</u>	<u>2186</u>	<u>2208</u>	<u>2209</u>	<u>2210</u>	<u>2211</u>	<u>2212</u>	<u>2219</u>	<u>CP</u>
1	HYL9803	STOWAGE ASSY								1		
2	HYL9804	LINCH PIN/CHAIN ASSY	5315-66-128-6042							5		
3	NSS											
4	NSS											
5	HYL9805	DOOR ACCESS-CABLE STOWAGE								1		
6	HYL9806	BRACKET-SIDE-RETAINING								2		
7	NSS											
8	HYL9807	PLATE-RESTRAINING- CYLINDERS								1		
9	HYL9808	NUT-WING								1		
10	HYL9809	BRACKET-REAR -RETAINING								1		
11	HYL9927	POP RIVET								5		
12	WA104001L	WASHER-PLAIN	5310-99-122-3031							5		
13	HYL9810	BAR-STOWAGE-CABLE								1		
14	SE106121L	SCREW	5305-99-122-5289							1		
15	WM106001	WASHER-LOCK	5310-99-137-9232							1		
16	WA106001L	WASHER-PLAIN								1		
17	HYL9967	NUT ASSY								4		
18	WM110001L	WASHER-LOCK	5310-99-135-4103							4		
19	SH110201L	SCREW	5305-99-122-4909							4		
20	HYM308	PIN-PIVOT-ACCESS DOOR								1		

CHANGE POINT

ARN INTRODUCTION

GROUP WG/1 SHEET 1



LITTER RAIL, BACKREST & SEAT CUSHION ASSY - AMBULANCE

PERENTIE LAND ROVER PARTS LIST

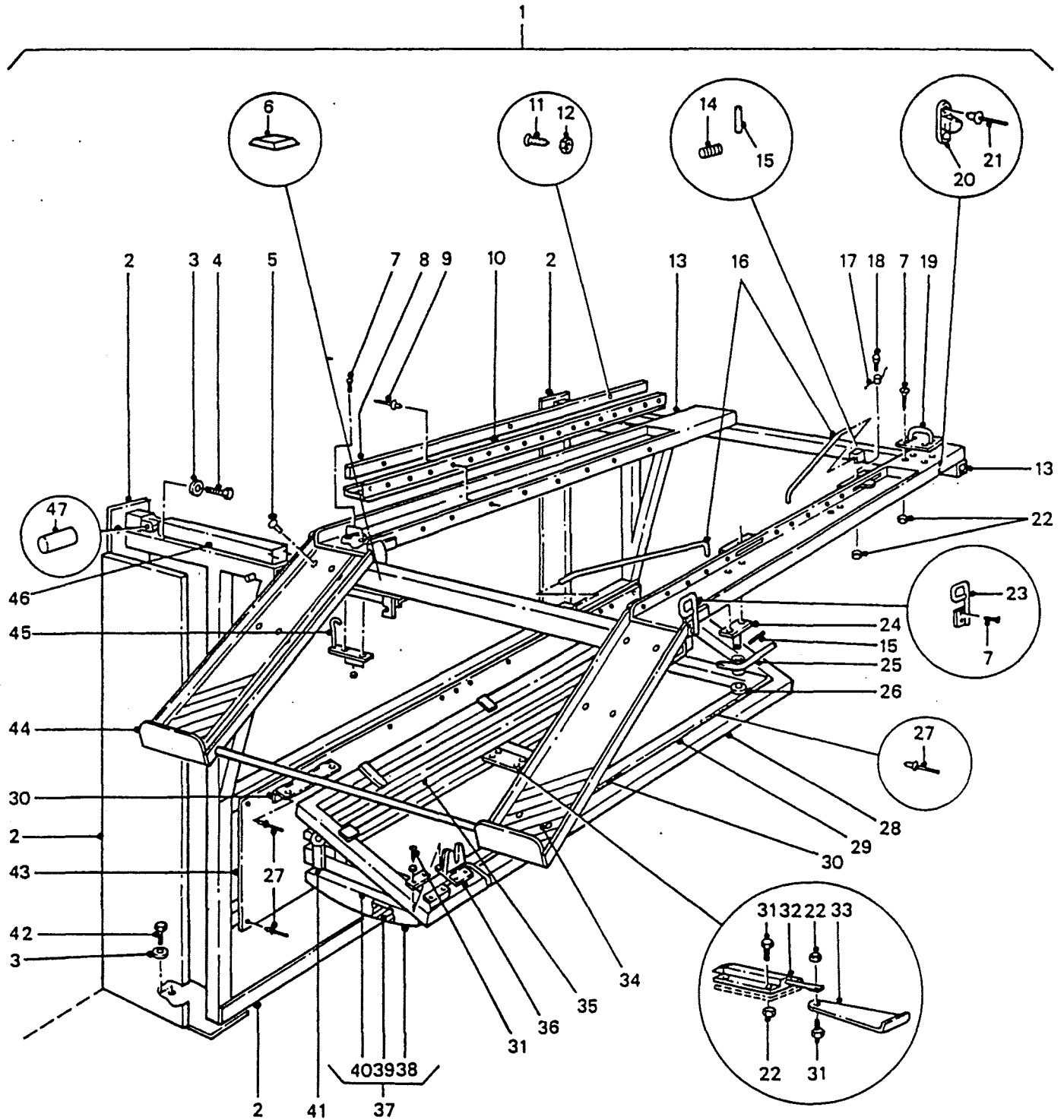
WG 1/11

LITTER RAIL. BACKREST & SEAT CUSHION ASSY - AMBULANCE

DERIVATIVE CODE

ITEM	PART NO.	DESCRIPTION	NSN	2185	2186	2208	2209	2210	2211	2212	2219	CP
1	NSS											
2	NSS											
3	WA110001L	WASHER-PLAIN								12		
4	BT110071	BOLT								12		
5	RT612168	RIVET								10		
6	HYL9348	STOP-BUMP								2		
7	SF206151	SCREW								16		
8	HYL9349	STRIP-ANTI FRICTION								4		
9	RU608081	POP RIVET								21		
10	HYL9352	PLATE-SLIDE-UPPER -RH-OUTER								1		
	HYL9350	PLATE-SLIDE-UPPER -LH-OUTER								1		
	HYL9351	PLATE-SLIDE-UPPER -LH-INNER								1		
	HYL9353	PLATE-SLIDE-UPPER -RH-INNER								1		
11	SP104251	SCREW-SLOTTED								12		
12	NY104041L	NUT-NYLOC	5310-99-119-3324							12		
13	HYL9354	FRAME-RAIL-LH-UPPER								1		
	HYL9355	FRAME-RAIL-RH-UPPER								1		
14	HYL9356	SPRING-LEVER								2		
15	HYL9392	ROLL PIN								2		
16	HYL9357	HANDLE-RELEASE								2		
17	HYL9358	SPRING								2		
18	SH206251	SCREW								2		
19	HYL9359	CATCH-FRONT								1		
20	HYL9360	FASTENER								1		
21	RU608123L	POP RIVET	5320-66-128-4634							2		
22	NY206141	NUT-NYLOC								10		

GROUP WG/1 SHEET 1



LITTER RAIL, BACKREST & SEAT CUSHION ASSY - AMBULANCE

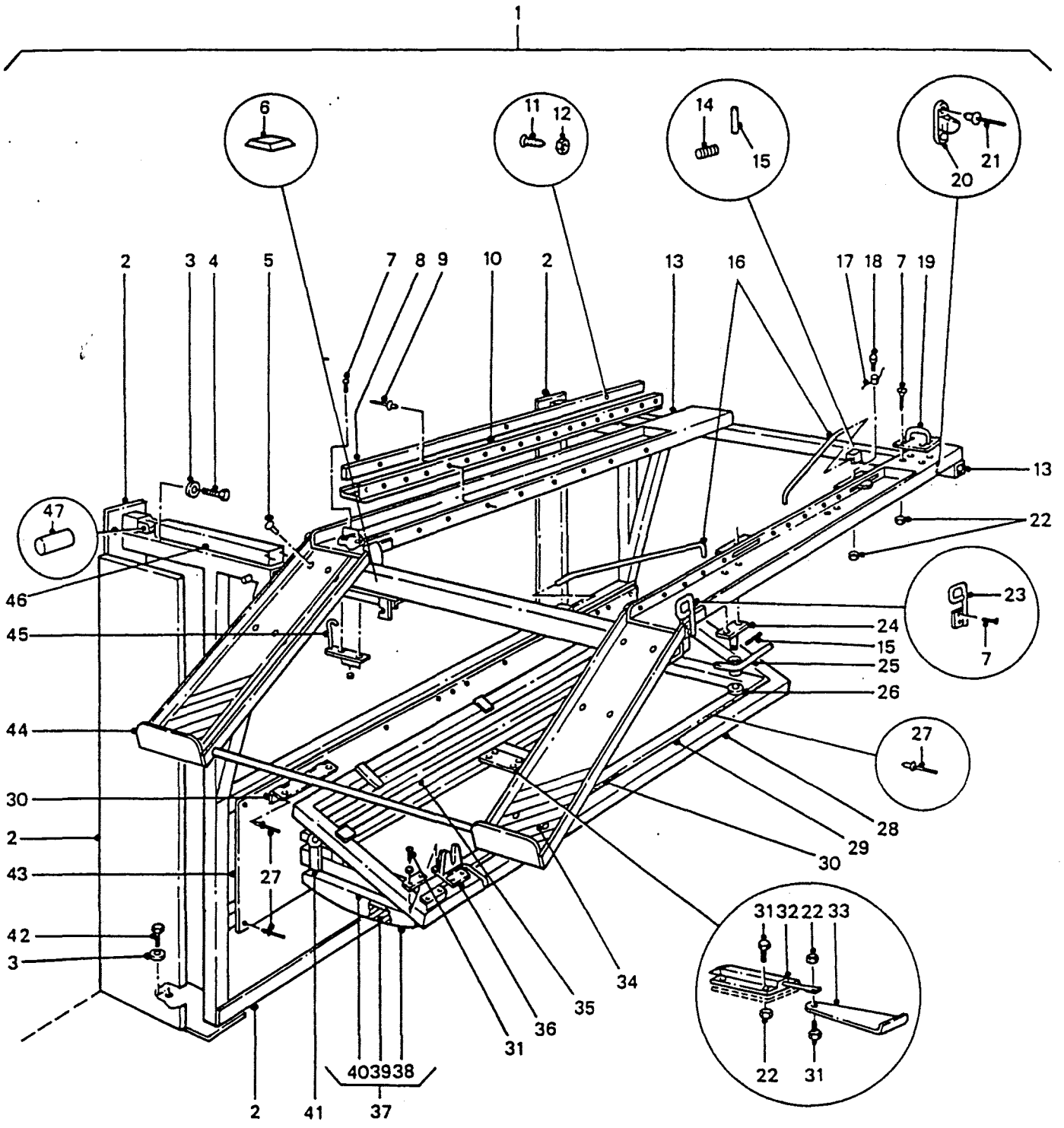
PERENTIE LAND ROVER PARTS LIST

WG 1/1 LITTER RAIL. BACKREST & SEAT CUSHION ASSY - AMBULANCE

DERIVATIVE CODE

ITEM	PART NO.	DESCRIPTION	NSN	DERIVATIVE CODE										
				2185	2186	2208	2209	2210	2211	2212	2219	CP		
23	HYL9361	CATCH-REAR						1						
24	HYL9362	POST-MOUNTING-RELEASI HANDLE						1						
25	HYL9363	HANDLE-RELEASE-LH						1						
	HYL9364	HANDLE-RELEASE-RH						1						
26	WA112001	WASHER-PLAIN						1						
27	RU612123	POP RIVET	5320-66-128-4684					54						
28	HYL9365	FRAME-SEATBACK-OUTER -LOWER HINGED						1						
29	HYL9366	FRAME-SEATBACK-INNER -TOP HINGED						1						
30	NSS													
31	SH206121	SCREW						5						
32	HYL9367	LATCH-SLAM						1						
33	HYL9368	HANDLE-RELEASE						1						
34	HYL9369	STRIP-ANTI FRICTION						2						
35	HYL9370	CROSS BAR-SEATBACK RELEASE HANDLE						1						
36	HYL9371	LATCH-OUTER FRAME -REAR						1						
	HYL9372	LATCH-OUTER FRAME-FRONT						1						
37	HYL9373	BACKREST ASSY (INCLUDES ITEMS 38-40)						1						
38	NSS													
39	NSS													
40	NSS													
41	NSS													
42	BT110081	BOLT						4						
43	NSS													

GROUP WG/1 SHEET 1



LITTER RAIL, BACKREST & SEAT CUSHION ASSY - AMBULANCE

PERENTIE LAND ROVER PARTS LIST

WG /1/1

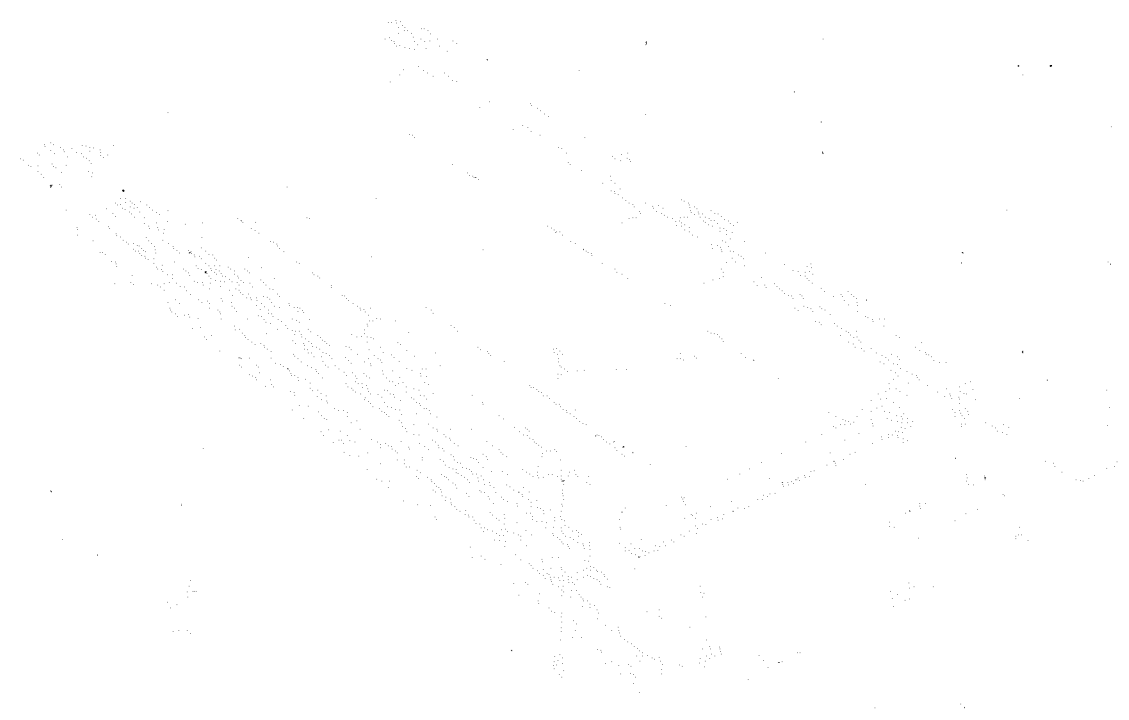
LITTER RAIL. BACKREST & SEAT CUSHION ASSY - AMBULANCE

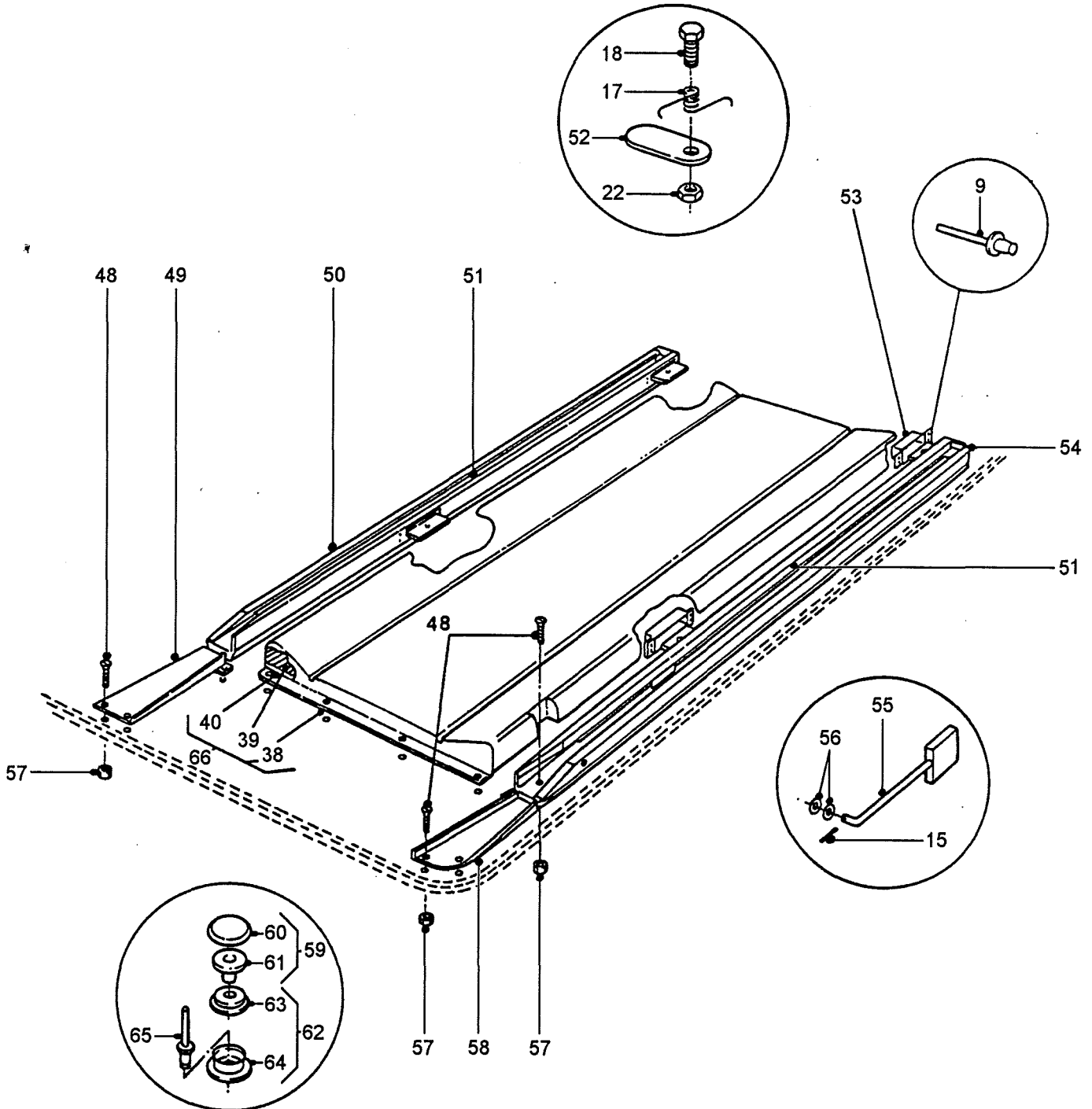
DERIVATIVE CODE

<u>ITEM</u>	<u>PART NO.</u>	<u>DESCRIPTION</u>	<u>NSN</u>	<u>2185</u>	<u>2186</u>	<u>2208</u>	<u>2209</u>	<u>2210</u>	<u>2211</u>	<u>2212</u>	<u>2219</u>	<u>CP</u>
44	HYL9374	FRAME-LOADING ASSISTANCE RAILS							1			
45	HYL9375	HOOK							1			
46	NSS											
47	HYL9376	PIN-PIVOT							1			

CHANGE POINT

ARN INTRODUCTION



GROUP WG/1 SHEET 2**LITTER RAIL, BACKREST AND SEAT CUSHION
ASSEMBLY**

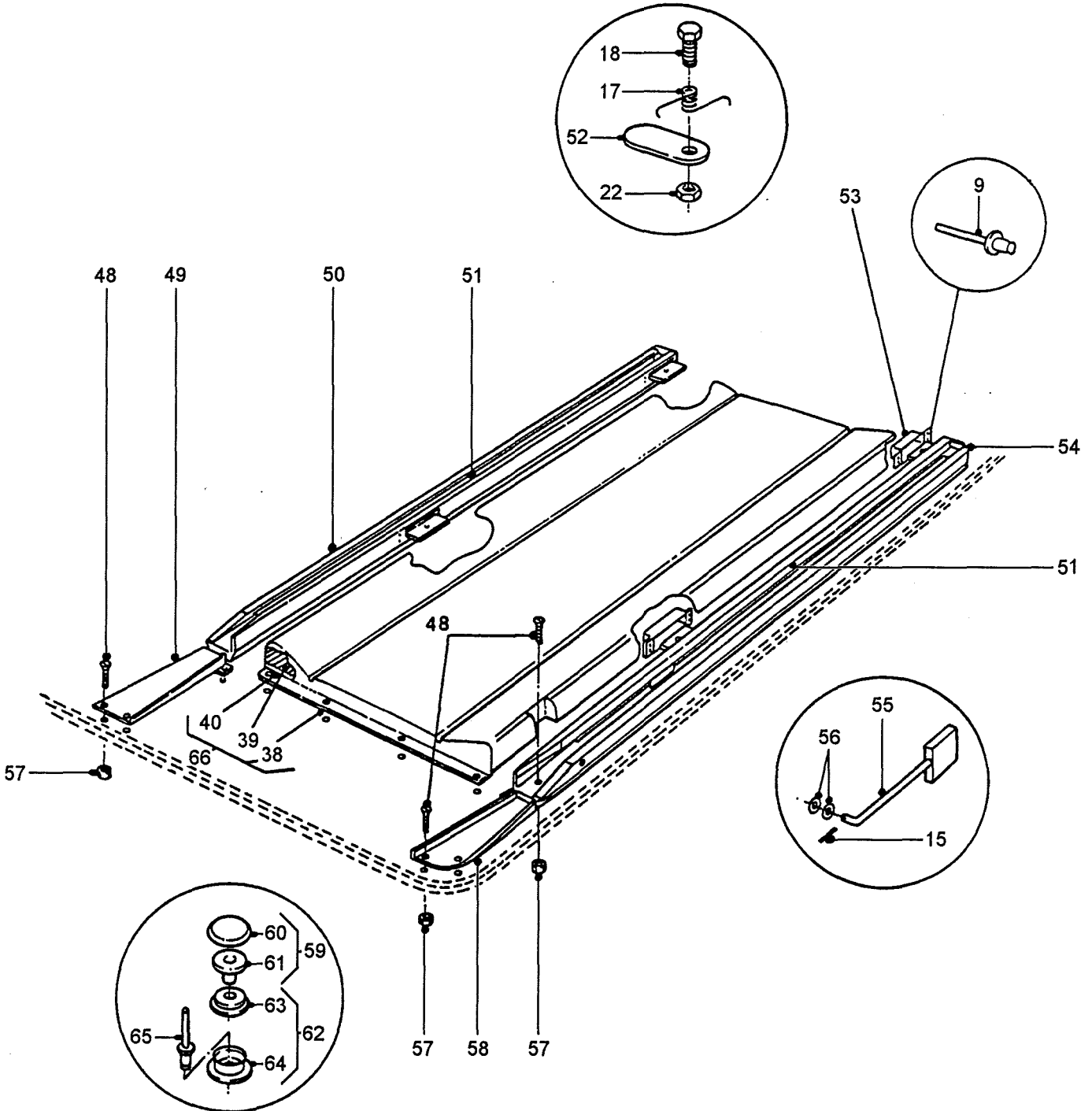
PERENTIE LAND ROVER PARTS LIST

WG 1/1/2 LITTER RAIL. BACKREST & SEAT CUSHION ASSY - AMBULANCE - CONTINUED

DERIVATIVE CODE

<u>ITEM</u>	<u>PART NO.</u>	<u>DESCRIPTION</u>	<u>NSN</u>	<u>2185</u>	<u>2186</u>	<u>2208</u>	<u>2209</u>	<u>2210</u>	<u>2211</u>	<u>2212</u>	<u>2219</u>	<u>CP</u>
9	RU608081	POP RIVET								8		
15	HYL9392	ROLL PIN								2		
17	HYL9358	SPRING								6		
18	SH206251	SCREW								6		
22	NY206141	NUT-NYLOC								6		
38	NSS											
39	NSS											
40	NSS											
48	SF206251	SCREW								8		
49	HYL9377	RAMP-LH-OUTER								1		
	HYL9378	RAMP-RH-OUTER								1		
50	HYL9379	RAIL-LOWER-LH-OUTER								1		
	HYL9380	RAIL-LOWER-RH-OUTER								1		
51	HYL9381	STRIP-ANTI FRICTION	9320-66-128-5919							2		
52	HYL9382	TONGUE-RETAINING								6		
53	HYL9383	PLATE-COVER-TONGUE								2		
54	HYL9384	RAIL-LOWER-LH-INNER								1		
	HYL9385	RAIL-LOWER-RH-INNER								1		
55	HYL9386	ROD-LOCK-LH								1		
	HYL9387	ROD-LOCK-RH								1		
56	WA108051L	WASHER-PLAIN	5310-99-122-6475							2		
57	NY206141	NUT-NYLOC								8		
58	HYL9388	RAMP-LH-INNER								1		
	HYL9389	RAMP-RH-INNER								1		
59	HYL9300	STUD-FEMALE								6		
60	NSS											
61	NSS											
62	HYL9299	STUD-MALE								6		
63	NSS											

GROUP WG/1 SHEET 2



LITTER RAIL, BACKREST AND SEAT CUSHION ASSEMBLY

PERENTIE LAND ROVER PARTS LIST

WG 1/1/2 LITTER RAIL, BACKREST & SEAT CUSHION ASSY - AMBULANCE - CONTINUED

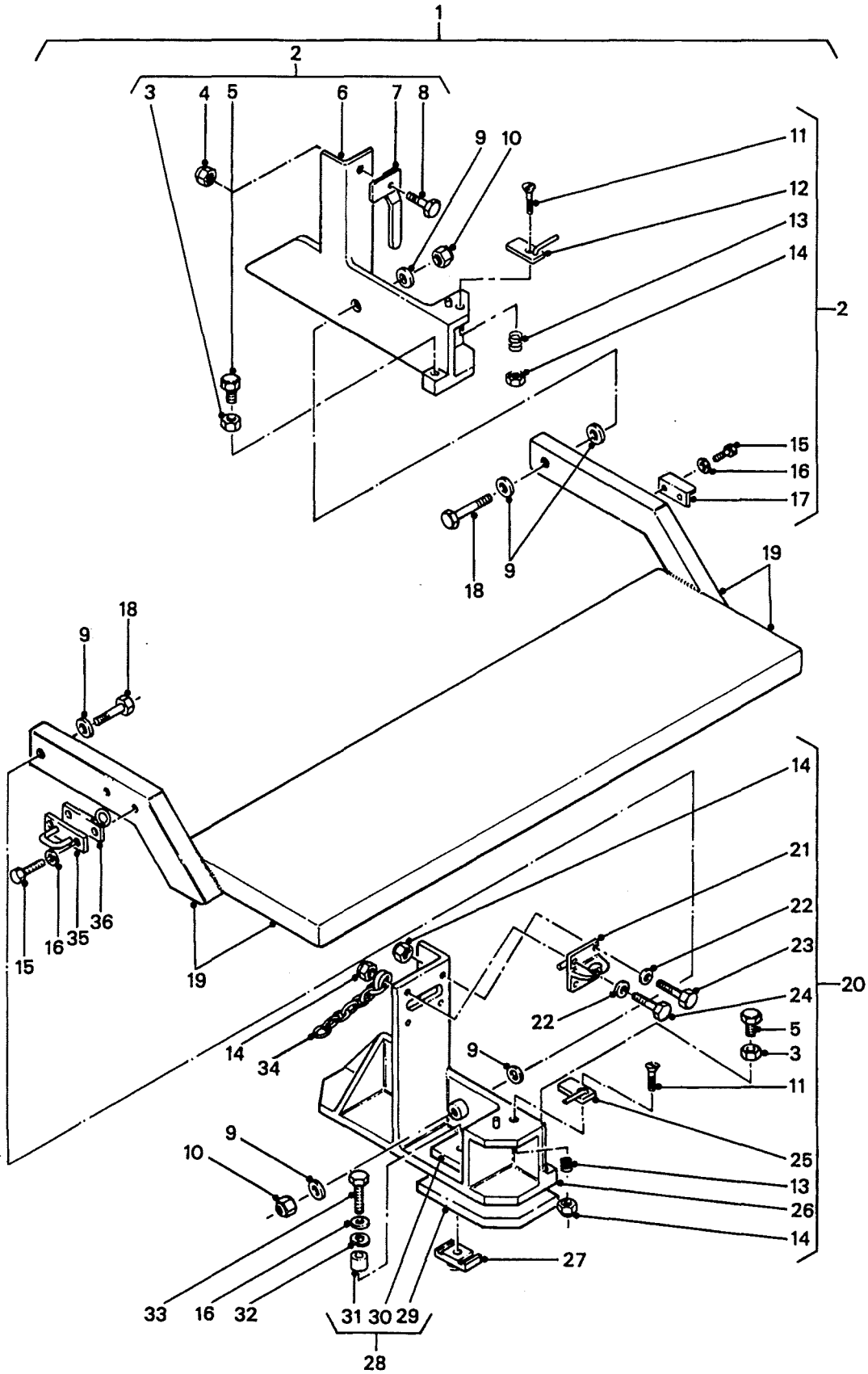
DERIVATIVE CODE

<u>ITEM</u>	<u>PART NO.</u>	<u>DESCRIPTION</u>	<u>NSN</u>	<u>2185</u>	<u>2186</u>	<u>2208</u>	<u>2209</u>	<u>2210</u>	<u>2211</u>	<u>2212</u>	<u>2219</u>	<u>CP</u>
64	NSS											
65	RU608163	POP RIVET								6		
66	HYL9390	SEAT ASSY-LH (INCL ITEMS 38 - 40)								1		
	HYL9391	SEAT ASSY-RH (INCL ITEMS 38 - 40)								1		
	AB606051L	SCREW-BACKREST TO FRAME	5305-66-016-0723							12		
	NY108041L	NUT-NYLOC-SECURING ITEM 42	5310-99-122-5496							1		

CHANGE POINT

ARN INTRODUCTION

GROUP WG/2



DROP-DOWN BENCH ASSEMBLY - GMV

PERENTIE LAND ROVER PARTS LIST

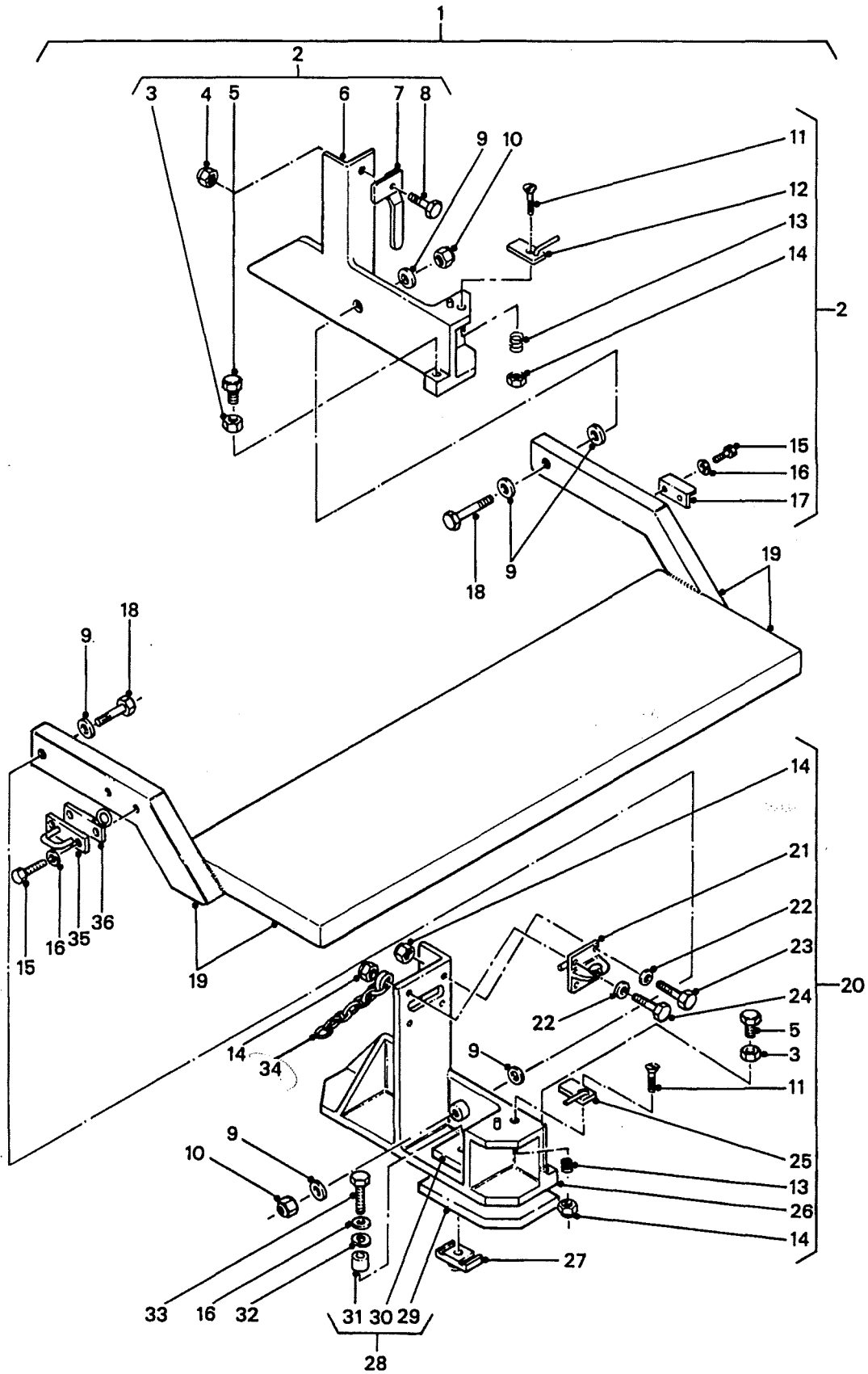
WG /2/1 DROP-DOWN BENCH ASSEMBLY - GMV

DERIVATIVE CODE

2185 2186 2208 2209 2210 2211 2212 2219 CP

<u>ITEM</u>	<u>PART NO.</u>	<u>DESCRIPTION</u>	<u>NSN</u>	<u>2185</u>	<u>2186</u>	<u>2208</u>	<u>2209</u>	<u>2210</u>	<u>2211</u>	<u>2212</u>	<u>2219</u>	<u>CP</u>
1	NSS											
2	HYL9811	BRACKET/HINGE & MOUNTING-RH								1		
3	NH112041L	NUT	5310-66-128-5086							1		
4	NY110041L	NUT-NYLOC	5310-99-122-5497							1		
5	SH112301L	SCREW								1		
6	NSS											
7	HYL9812	LEVER-LOCKING								1		
8	SH110351L	SCREW								1		
9	VA112001	WASHER-PLAIN								6		
10	NY112041L	NUT-NYLOC	5310-99-768-7269							2		
11	SA108401	SCREW								1		
12	HYL9813	LEVER-LOCKING								1		
13	HYL9814	SPRING-LOCKING LEVER								1		
14	NY108041L	NUT-NYLOC	5310-99-122-5496							6		
15	SH110201L	BOLT	5305-99-122-4909							4		
16	WM110001L	WASHER-LOCK	5310-99-135-4103							8		
17	HYL9815	BRACKET-LOCKING								1		
18	HYM327	BOLT								2		
19	HYL9816	BENCH-DROP DOWN								1		
20	HYL9817	BRACKET/HINGE & MOUNTING-LH								1		
21	HYL9818	LOCK ASSY								1		
22	WA108051L	WASHER-PLAIN	5310-99-122-6475							4		
23	FS108201	SCREW	5305-99-122-5366							3		
24	FS108301	SCREW	5305-99-122-5368							1		
25	HYL9819	LEVER-LOCKING								1		
26	NSS											
27	HYL9967	NUT ASSY								4		
28	HYM323	KIT-INSULATION (INCLUDES ITEMS 29-31)								4		

GROUP WG/2



**DROP-DOWN BENCH ASSEMBLY
- GMV**

PERENTIE LAND ROVER PARTS LIST

WG /2/1

DROP-DOWN BENCH ASSEMBLY - GMV

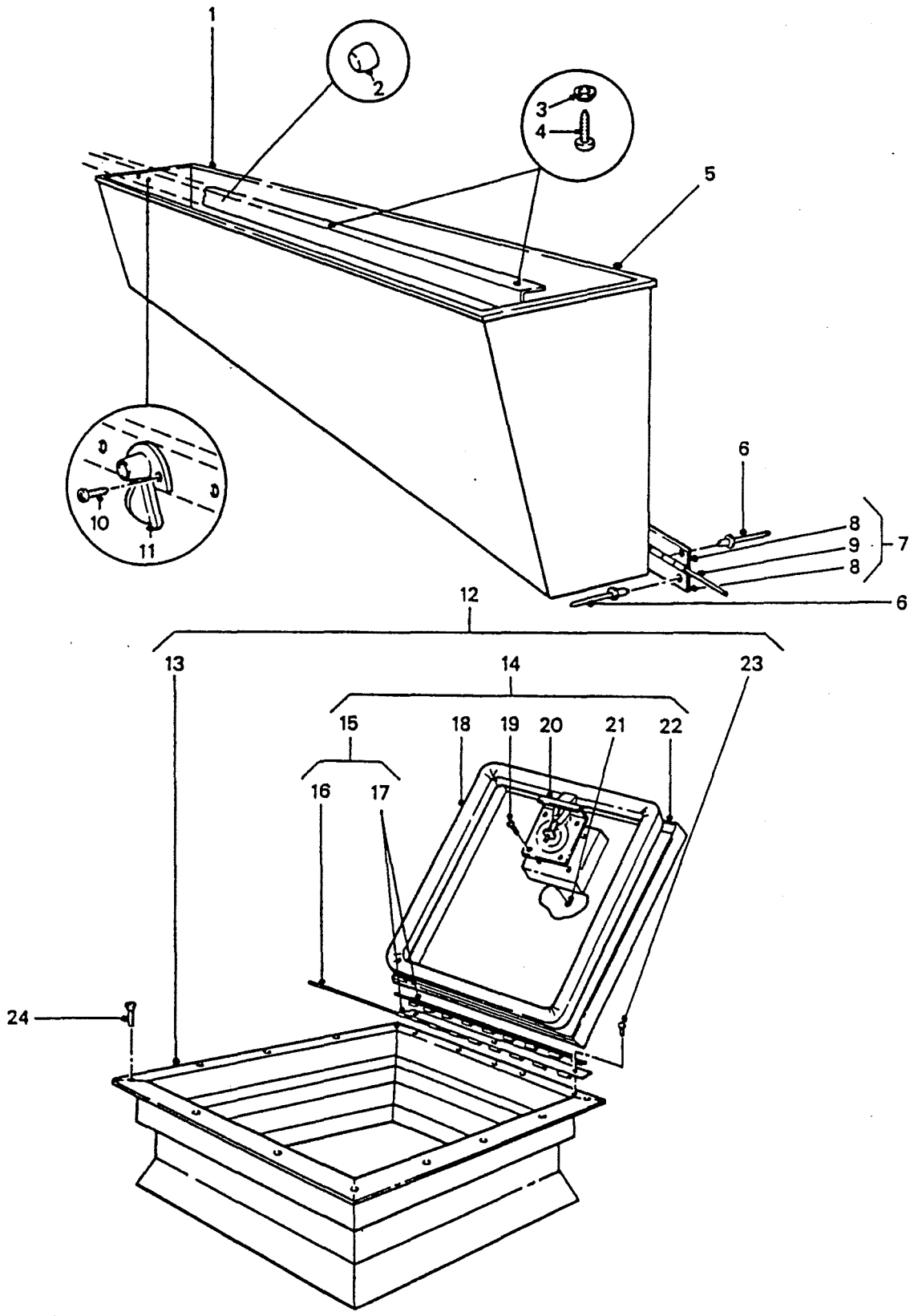
DERIVATIVE CODE

<u>ITEM</u>	<u>PART NO.</u>	<u>DESCRIPTION</u>	<u>NSN</u>	<u>2185</u>	<u>2186</u>	<u>2208</u>	<u>2209</u>	<u>2210</u>	<u>2211</u>	<u>2212</u>	<u>2219</u>	<u>CP</u>
29	NSS											
30	NSS											
31	NSS											
32	WJ110001	WASHER-PLAIN	5310-99-785-2434							4		
33	SH110401L	SCREW	5305-99-122-8670							4		
34	HYM324	CHAIN-SAFETY								1		
35	HYM325	CATCH-BENCH LOCK								1		
36	HYM326	PLATE/HOOK								1		

CHANGE POINT

ARN INTRODUCTION

GROUP WH



**BODY WASTE SHUTE AND TUMBLE-OUT BINS
- AMBULANCE**

PERENTIE LAND ROVER PARTS LIST

WH /1/1

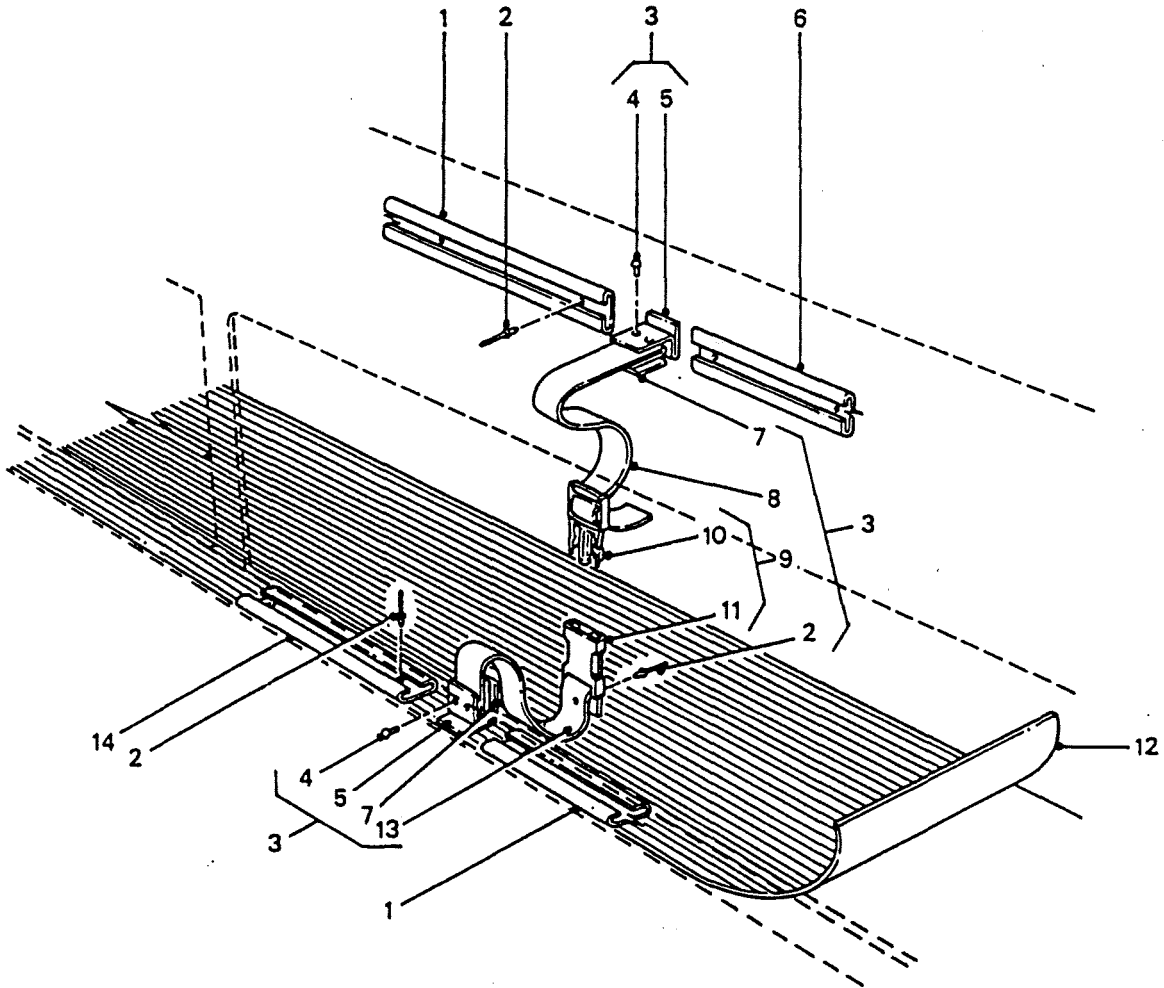
BODY WASTE SHUTE AND TUMBLE-OUT BINS - AMBULANCE

DERIVATIVE CODE

<u>ITEM</u>	<u>PART NO.</u>	<u>DESCRIPTION</u>	<u>NSN</u>	<u>2185</u>	<u>2186</u>	<u>2208</u>	<u>2209</u>	<u>2210</u>	<u>2211</u>	<u>2212</u>	<u>2219</u>	<u>CP</u>
1	HYL9578	BIN-TUMBLEOUT								4		
2	HYL9348	STOP-BUMP								12		
3	HYL9097	WASHER-CUP								20		
4	AB606051L	SCREW	5305-66-016-0723							20		
5	NSS											
6	RU608123L	POP RIVET	5320-66-128-4634							20		
7	NSS											
8	NSS											
9	NSS											
10	B604151	SCREW								16		
11	HYL9342	CATCH-LOCKER	5340-66-128-5873							8		
12	HYL9579	SHUTE ASSY								1		
13	NSS											
14	HYL9580	LID ASSY (INCLUDES ITEMS 15-22)								1		
15	HYL9581	HINGE ASSY								1		
16	NSS											
17	NSS											
18	HYL9582	SEAL-LID								1		
19	SE106251L	SCREW	5305-99-135-0442							4		
20	HYL9583	LOCK ASSY-LID								1		
21	NY106041L	NUT-NYLOC	5310-99-138-8423							4		
22	NSS											
23	RT624041	RIVET								3		
24	SF104164	SCREW	5305-99-122-5279							12		

CHANGE POINT

ARN INTRODUCTION

GROUP WJ

**INTERIOR STORAGE, SECURING BELTS
AND TRIM - MODULE - AMBULANCE**

PERENTIE LAND ROVER PARTS LIST

WJ /1/1

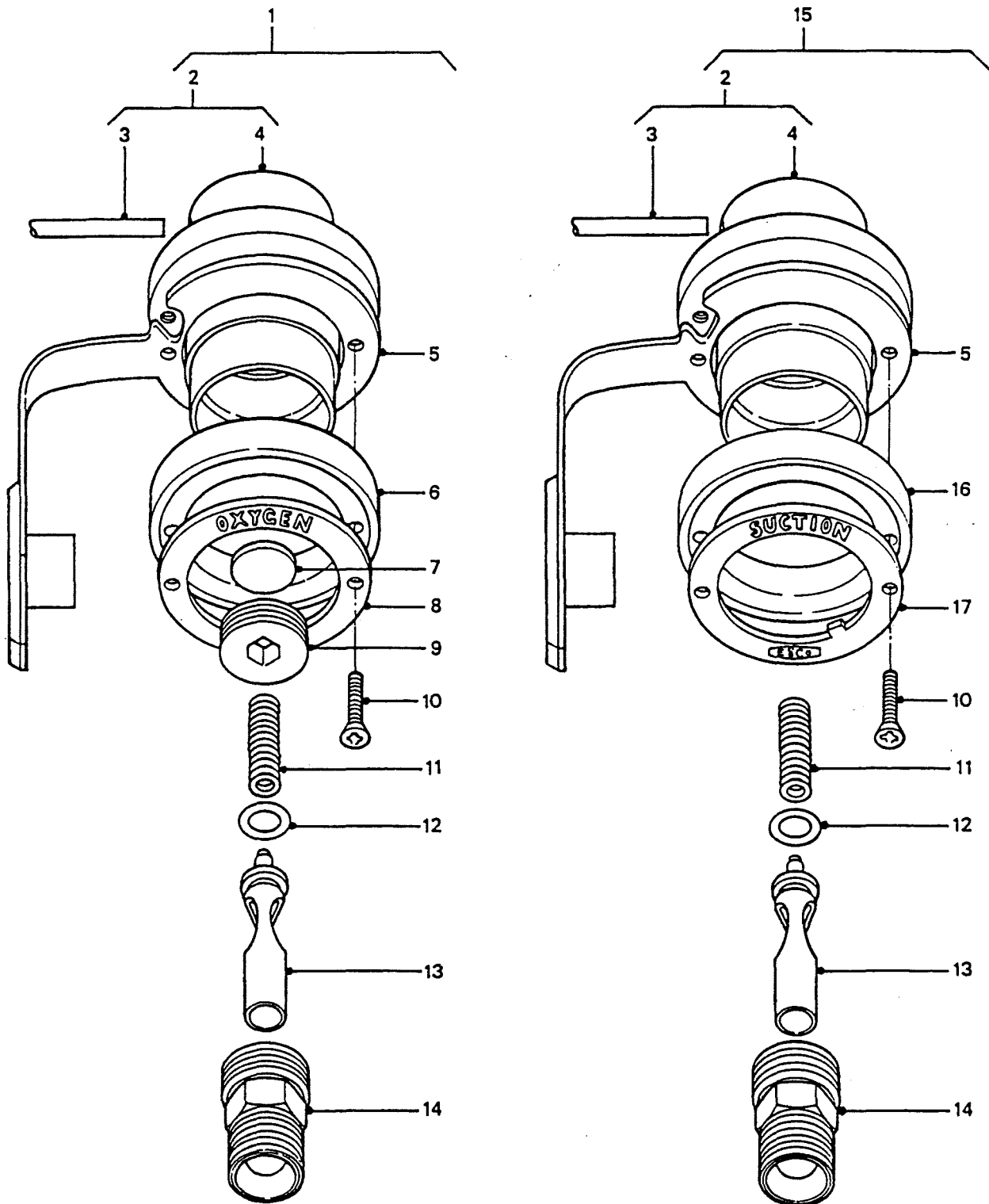
INTERIOR STORAGE, SECURING BELTS AND TRIM - MODULE - AMBULANCE

DERIVATIVE CODE

<u>ITEM</u>	<u>PART NO.</u>	<u>DESCRIPTION</u>	<u>NSN</u>	<u>2185</u>	<u>2186</u>	<u>2208</u>	<u>2209</u>	<u>2210</u>	<u>2211</u>	<u>2212</u>	<u>2219</u>	<u>CP</u>
1	HYL9215	CHANNEL-200MM LONG								4		
2	RU608123L	POP RIVET	5320-66-128-4634							46		
3	HYL9216	BELT ASSY								12		
4	HYL9952	RIVET								4		
5	NSS											
6	HYL9217	CHANNEL-810MM LONG								1		
7	NSS											
8	NSS											
9	NSS											
10	NSS											
11	NSS											
12	HYL9218	MAT-RUBBER								1		
13	NSS											
14	HYL9219	CHANNEL-900MM LONG								2		

CHANGE POINT

ARN INTRODUCTION

GROUP WK

**OXYGEN AND SUCTION OUTLET ASSEMBLIES
- AMBULANCE**

PERENTIE LAND ROVER PARTS LIST

WK /1/1

OXYGEN AND SUCTION OUTLET ASSEMBLIES - AMBULANCE

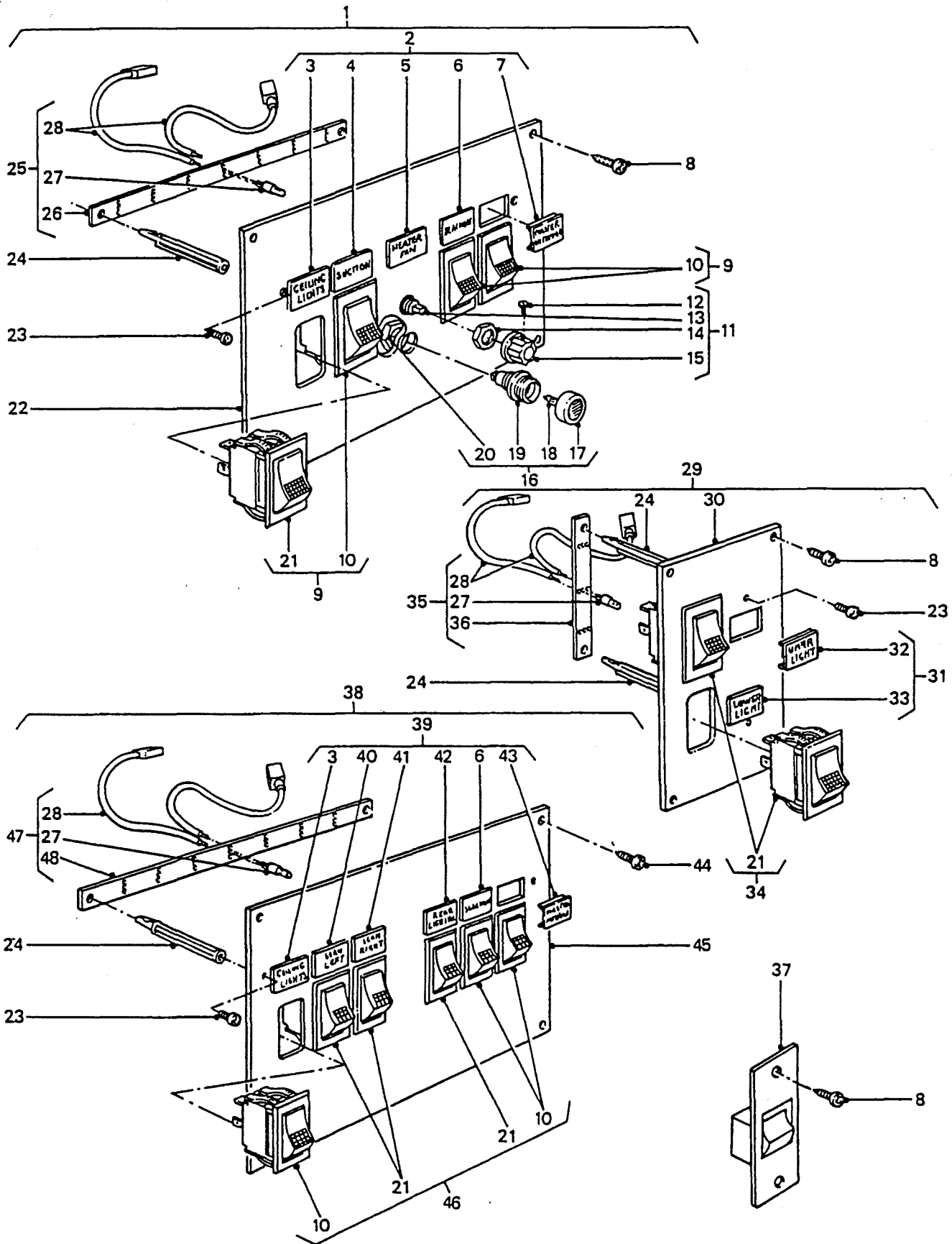
DERIVATIVE CODE

<u>ITEM</u>	<u>PART NO.</u>	<u>DESCRIPTION</u>	<u>NSN</u>	<u>2185</u>	<u>2186</u>	<u>2208</u>	<u>2209</u>	<u>2210</u>	<u>2211</u>	<u>2212</u>	<u>2219</u>	<u>CP</u>
1	HYL9192	OXYGEN ASSY-OUTLET (INCLUDES ITEMS 2-14)							5			
2	NSS											
3	NSS											
4	NSS											
5	NSS											
6	NSS											
7	HYL9193	VALVE-SECONDARY							1			
8	NSS											
9	HYL9194	SEAT-VALVE							1			
10	NSS											
11	HYL9195	SPRING-VALVE							1			
12	HYL9196	SEAL-O RING							1			
13	HYL9197	VALVE-MAIN							1			
14	HYL9198	NIPPLE-THREADED							1			
15	HYL9199	SUCTION ASSY-OUTLET (INCLUDES ITEMS 2-5,10-14,16,17)							1			
16	NSS											
17	NSS											

CHANGE POINT

ARN INTRODUCTION

GROUP WL/1



**SWITCHES - MODULE INTERIOR
- AMBULANCE**

PERENTIE LAND ROVER PARTS LIST

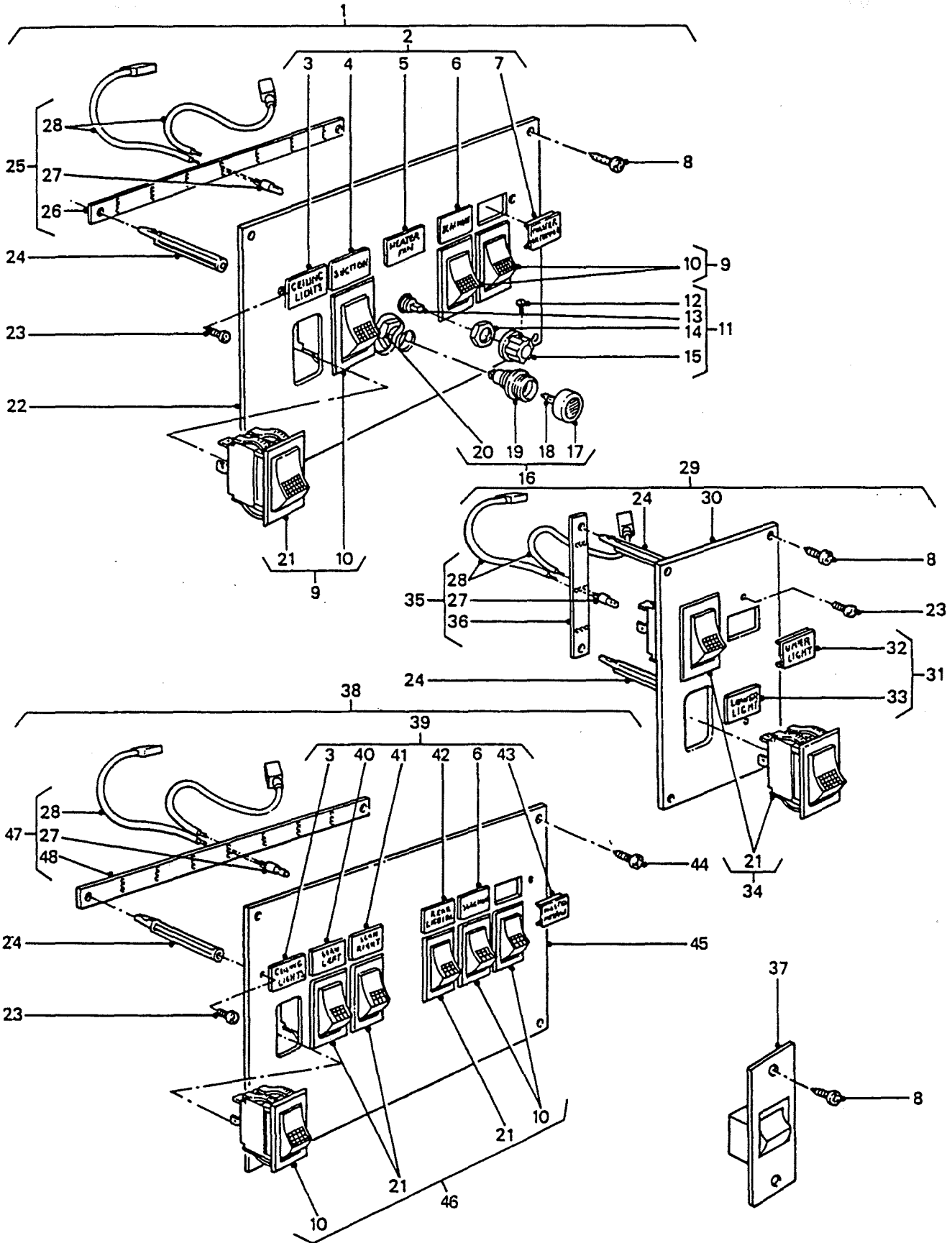
WL /1/1

SWITCHES - MODULE INTERIOR - AMBULANCE

DERIVATIVE CODE

<u>ITEM</u>	<u>PART NO.</u>	<u>DESCRIPTION</u>	<u>NSN</u>	<u>2185</u>	<u>2186</u>	<u>2208</u>	<u>2209</u>	<u>2210</u>	<u>2211</u>	<u>2212</u>	<u>2219</u>	<u>CP</u>
1	HYL9558	PANEL ASSY-MAIN SWITCH (INCLUDES ITEMS 2, 9, 22-25)							1			
2	HYL9559	KIT-INSERTS (INCLUDES ITEMS 3-7)							1			
3	NSS											
4	NSS											
5	NSS											
6	NSS											
7	NSS											
8	SE204151	SCREW									8	
9	NSS											
10	HYL9560 ✓	SWITCH-ROCKER	5930-66-128-5906								6	
11	HYL9561	SWITCH-HEATER FAN									1	
12	NSS											
13	NSS											
14	NSS											
15	HYL9562	KNOB-SWITCH									1	
16	HYL9563	LAMP-PILOT-RED LENS									1	
17	NSS											
18	HYL9473	GLOBE-24V, 1.2W	6240-12-173-3418								1	
19	NSS											
20	NSS											
21	HYL9564 ✓	SWITCH-ROCKER-CEILING LIGHTS	5930-66-128-5924								6	
22	NSS											
23	AB606041L	SCREW	5305-99-950-4416								6	
24	HYL9566	KIT-SPACERS									1	
25	HYL9567	KIT-LIGHTING									1	
26	NSS											

GROUP WL/1



**SWITCHES - MODULE INTERIOR
- AMBULANCE**

PERENTIE LAND ROVER PARTS LIST

WL /1/1

SWITCHES - MODULE INTERIOR - AMBULANCE

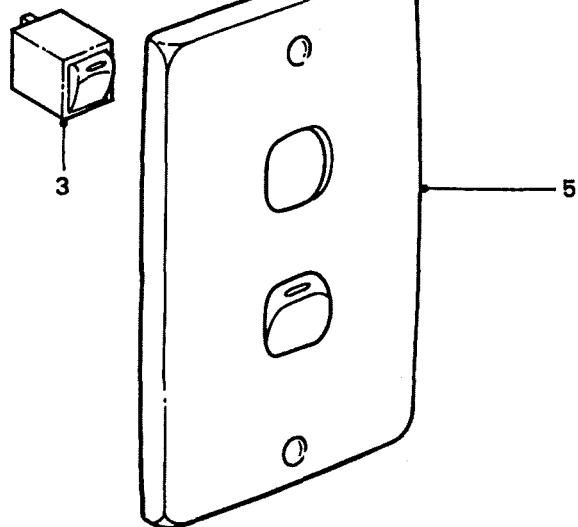
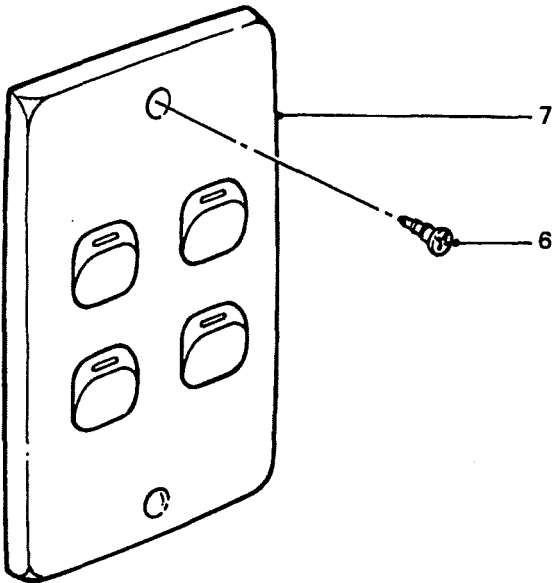
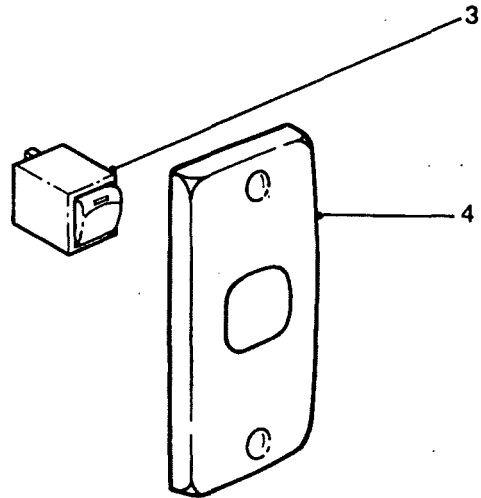
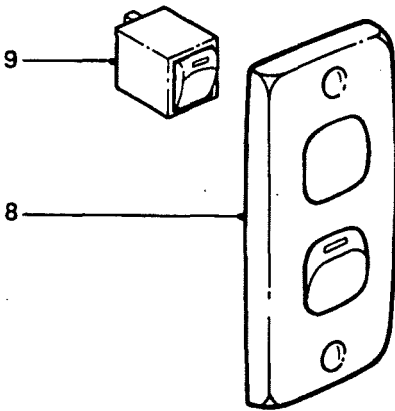
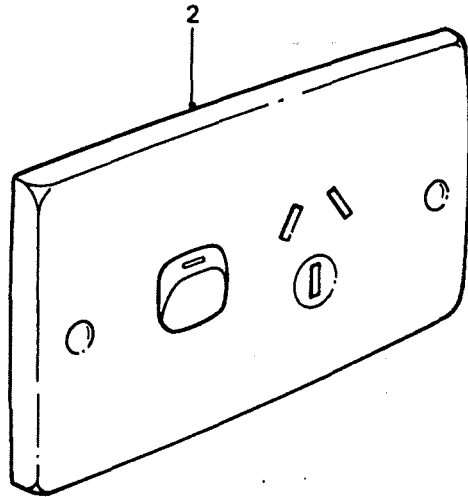
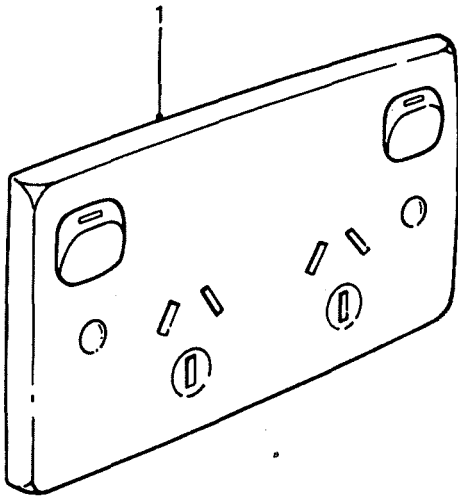
DERIVATIVE CODE

<u>ITEM</u>	<u>PART NO.</u>	<u>DESCRIPTION</u>	<u>NSN</u>	<u>2185</u>	<u>2186</u>	<u>2208</u>	<u>2209</u>	<u>2210</u>	<u>2211</u>	<u>2212</u>	<u>2219</u>	<u>CP</u>
27	HYL9568	GLOBE-GREEN	6240-66-128-5923							9		
28	NSS											
29	HYL9569	PANEL ASSY-LITTER LAMP SWITCH								2		
30	NSS											
31	HYL9571	KIT-INSERTS-LITTER LAMP								1		
32	NSS											
33	NSS											
34	NSS											
35	HYL9572	KIT-LIGHTING								1		
36	NSS											
37	HYL9573	SWITCH-LOW POWER LAMPS								1		
38	HYL9574	PANEL ASSY-SECONDARY SWITCHES								1		
39	HYL9575	KIT-INSERTS-SECONDARY SWITCH PANEL								1		
40	NSS											
41	NSS											
42	NSS											
43	NSS											
44	SE204401	SCREW								4		
45	NSS											
46	NSS											
47	HYL9577	KIT-LIGHTING								1		
48	NSS											

CHANGE POINT

ARN INTRODUCTION

GROUP WL/2



**SWITCHES – MODULE INTERIOR
– GMV AND ERV**

PERENTIE LAND ROVER PARTS LIST

WL /2/1

SWITCHES - MODULE INTERIOR - GMV AND ERV

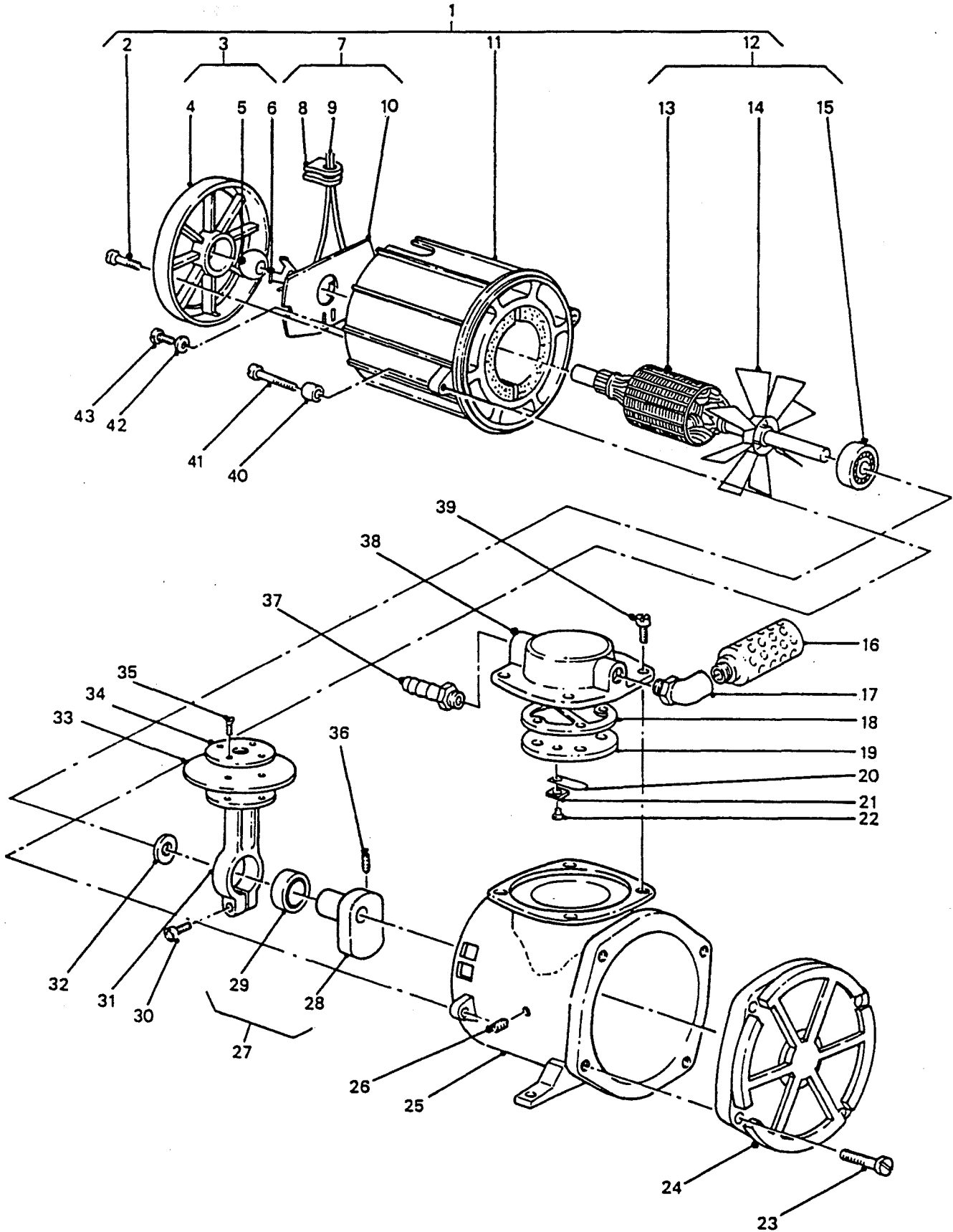
DERIVATIVE CODE

<u>ITEM</u>	<u>PART NO.</u>	<u>DESCRIPTION</u>	<u>NSN</u>	<u>2185</u>	<u>2186</u>	<u>2208</u>	<u>2209</u>	<u>2210</u>	<u>2211</u>	<u>2212</u>	<u>2219</u>	<u>CP</u>
1	HYM203	POWER POINT-DOUBLE	5999-66-130-8811					4		4		
2	HYM204	POWER POINT-SINGLE	5999-66-128-6043					2		2		
3	HYM205	SWITCH-ROCKER	5930-66-113-3339					5		5		
4	HYM206	PLATE-MOUNTING						5		5		
5	HYM414	SWITCH & PLATE	5930-66-122-6020					1				
	HYM291	SWITCH & PLATE	5999-66-128-6057								2	
6	HYM208	SCREW						24		24		
7	HYM207	SWITCH-QUAD						1		1		
8	HYM209	SWITCH & PLATE						1		1		
9	HYM210	SWITCH-ROCKER	5930-66-112-0444					5		5		

CHANGE POINT

ARN INTRODUCTION

GROUP WM



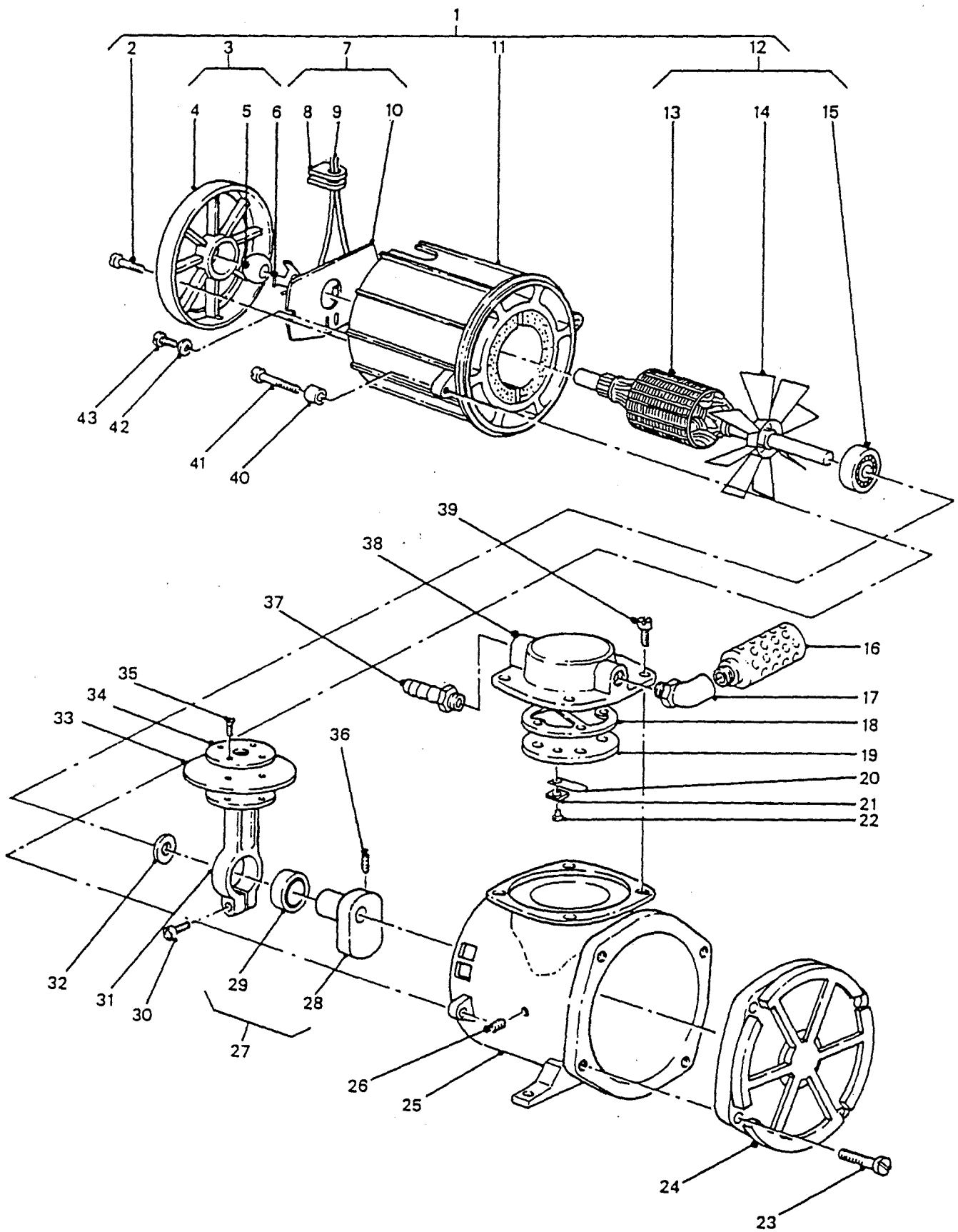
SUCTION PUMP ASSEMBLY - AMBULANCE

PERENTIE LAND ROVER PARTS LIST

WM /1/1 SUCTION PUMP ASSEMBLY - AMBULANCE

ITEM	PART NO.	DESCRIPTION	NSN	DERIVATIVE CODE									
				2185	2186	2208	2209	2210	2211	2212	2219	CP	
1	HYL9520	PUMP ASSY-SUCTION -12 VOLT	4310-01-156-9897			1							
2	HYL9521	SCREW				2							
3	HYL9522	CAP ASSY-END				1							
4	NSS												
5	NSS												
6	NSS												
7	HYL9523	BRUSH/WIRE ASSY				1							
8	NSS												
9	NSS												
10	NSS												
11	HYL9524	HOUSING-MOTOR/MAGNET ASSY				1							
12	HYL9525	ARMATURE FAN AND BEARING ASSY				1							
13	NSS												
14	NSS												
15	HYL9526	BEARING				1							
16	HYL9555	FILTER	2540-66-128-5898			1							
17	HYL9556	ELBOW				1							
18	HYL9527	GASKET-PLATE				1							
19	HYL9528	PLATE-VALVE				1							
20	HYL9529	VALVE-FLAPPER				2							
21	HYL9530	PLATE-KEEPER				2							
22	HYL9531	SCREW				2							
23	HYL9532	SCREW-COVER				4							
24	HYL9533	COVER-FRONT				1							
25	HYL9534	HOUSING				1							
26	NSS												
27	HYL9535	ECCENTRIC AND BEARING ASSY				1							

GROUP WM



SUCTION PUMP ASSEMBLY - AMBULANCE

PERENTIE LAND ROVER PARTS LIST

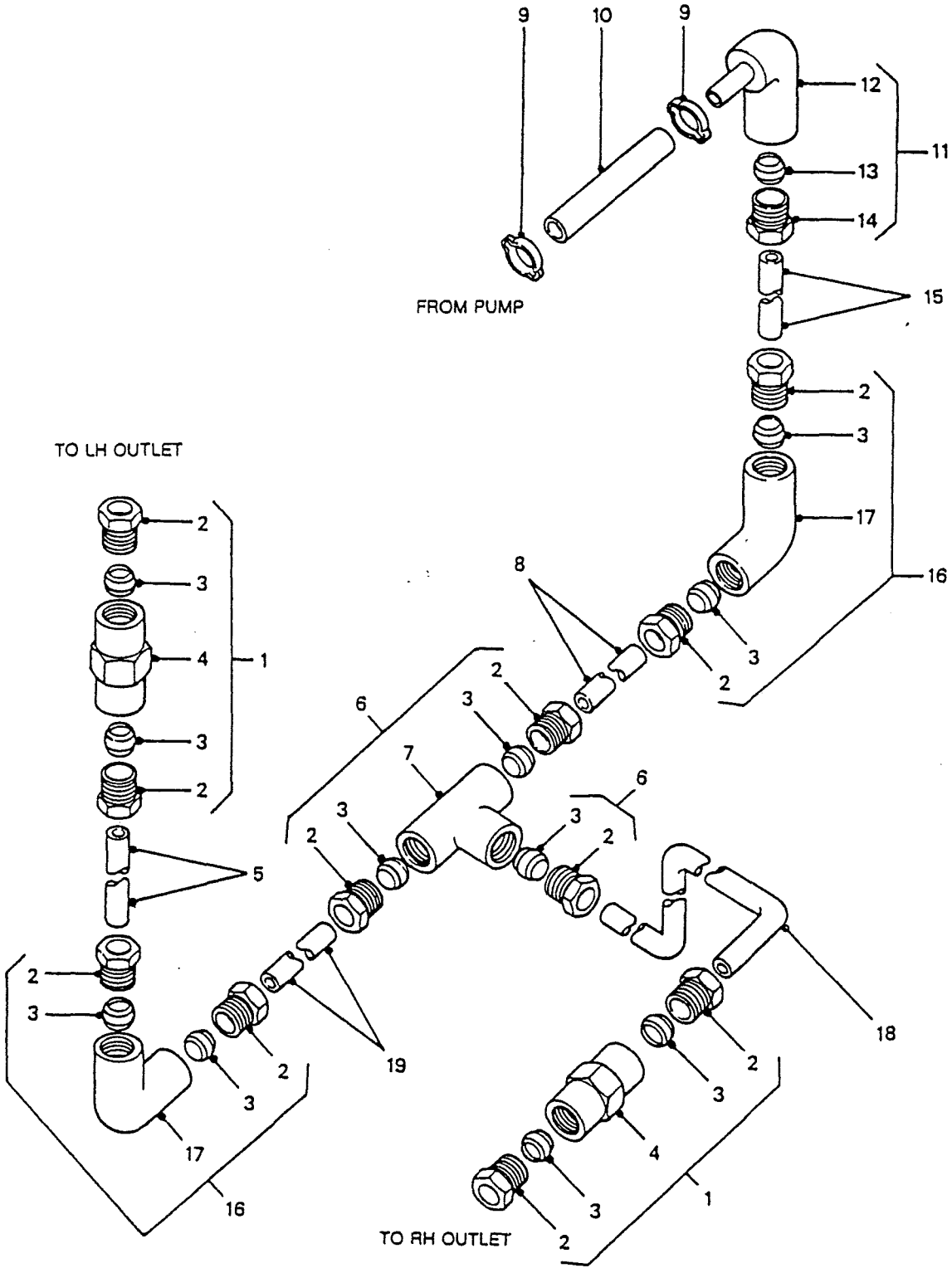
WM /1/1 SUCTION PUMP ASSEMBLY - AMBULANCE

Q	PART NO.	DESCRIPTION	NSN	DERIVATIVE CODE															
				2185	2186	2208	2209	2210	2211	2212	2219	CP							
28	NSS																		
29	NSS																		
30	HYL9536	SCREW-CONNECTING ROD																	1
31	HYL9537	ROD-CONNECTING																	1
32	HYL9538	SPACER																	1
33	HYL9539	DIAPHRAGM																	1
34	HYL9540	PLATE-DIAPHRAGM																	1
35	HYL9541	SCREW-VALVE																	8
36	HYL9542	SCREW																	1
37	HYL9557	CONNECTOR-HOSE																	1
38	HYL9543	HEAD																	1
39	HYL9544	SCREW-HEAD																	4
40	HYL9545	BUSH-SEAL																	2
41	HYL9546	SCREW-SLEEVE																	2
42	HYL9547	WASHER-LOCK																	2
43	HYL9548	SCREW-BRUSH																	2

CHANGE POINT

ARN INTRODUCTION

GROUP WMA



SUCTION LINES AND FITTINGS - AMBULANCE

PERENTIE LAND ROVER PARTS LIST

WMA /1/1 SUCTION LINES AND FITTINGS - AMBULANCE

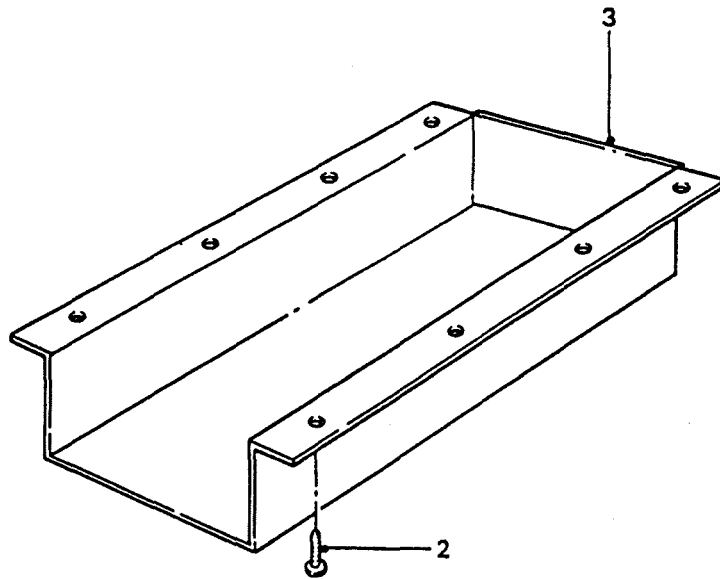
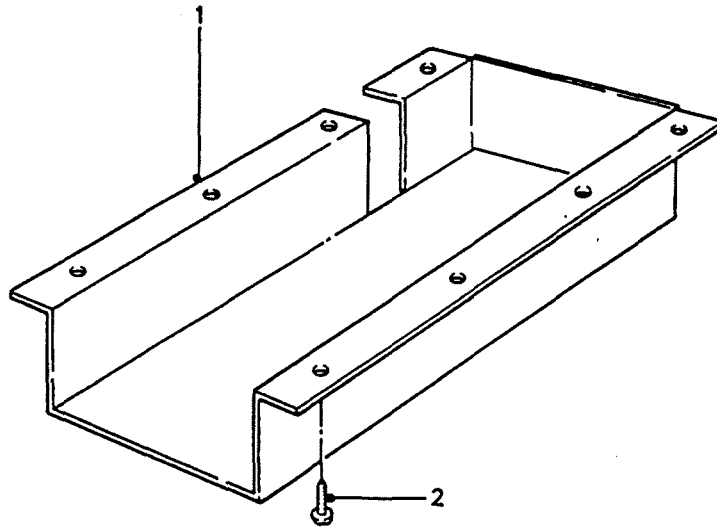
DERIVATIVE CODE

<u>ITEM</u>	<u>PART NO.</u>	<u>DESCRIPTION</u>	<u>NSN</u>	<u>2185</u>	<u>2186</u>	<u>2208</u>	<u>2209</u>	<u>2210</u>	<u>2211</u>	<u>2212</u>	<u>2219</u>	<u>CP</u>
1	HYL9344	CONNECTOR ASSY (INCLUDES ITEMS 2-4)								2		
2	NSS											
3	NSS											
4	NSS											
5	NSS											
6	HYL9345	TEE PIECE ASSY (INCLUDES ITEMS 2,3,7)								1		
7	NSS											
8	NSS											
9	NSS											
10	NSS											
11	HYL9346	ELBOW ASSY-STEM (INCLUDES ITEMS 12-14)								1		
12	NSS											
13	NSS											
14	NSS											
15	NSS											
16	HYL9347	ELBOW ASSY (INCLUDES ITEMS 2,3,17)								2		
17	NSS											
18	NSS											
19	NSS											

CHANGE POINT

ARN INTRODUCTION

GROUP WMB



**SUCTION LINE PROTECTION COVERS
- AMBULANCE**

PERENTIE LAND ROVER PARTS LIST

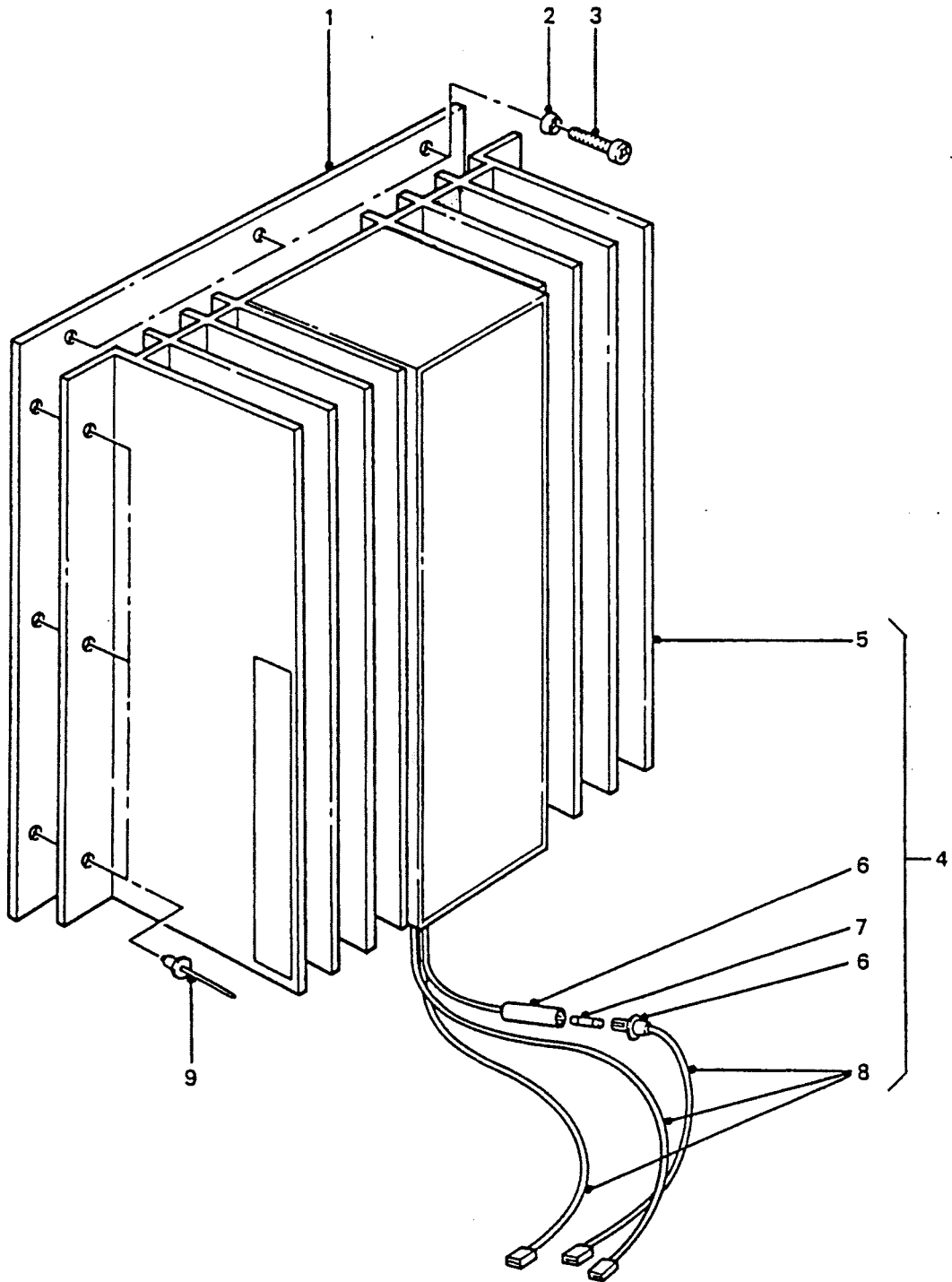
WMB /1/1 SUCTION LINE PROTECTION COVERS - AMBULANCE

DERIVATIVE CODE

<u>ITEM</u>	<u>PART NO.</u>	<u>DESCRIPTION</u>	<u>NSN</u>	<u>2185</u>	<u>2186</u>	<u>2208</u>	<u>2209</u>	<u>2210</u>	<u>2211</u>	<u>2212</u>	<u>2219</u>	<u>CP</u>
1	HYL9110	COVER-PROTECTION										1
2	AB606051L	SCREW	5305-66-016-0723									16
3	HYL9111	COVER-PROTECTION										1

CHANGE POINT

ARN INTRODUCTION

GROUP WMC

**SUCTION PUMP REDUCER AND MOUNTING PLATE
- AMBULANCE**

PERENTIE LAND ROVER PARTS LIST

WMC /1/1 SUCTION PUMP REDUCER AND MOUNTING PLATE - AMBULANCE

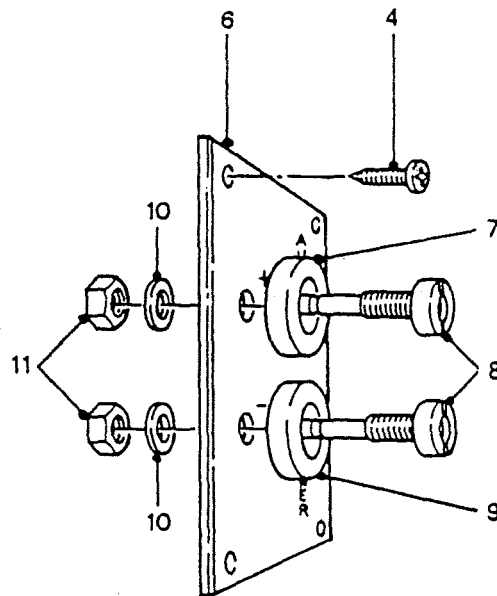
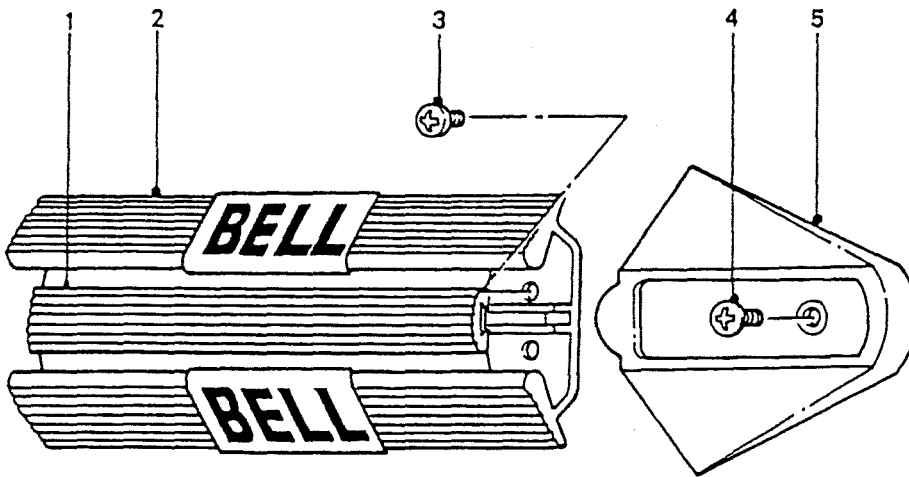
DERIVATIVE CODE

<u>ITEM</u>	<u>PART NO.</u>	<u>DESCRIPTION</u>	<u>NSN</u>	<u>2185</u>	<u>2186</u>	<u>2208</u>	<u>2209</u>	<u>2210</u>	<u>2211</u>	<u>2212</u>	<u>2219</u>	<u>CP</u>
1	HYL9307	PLATE-MOUNTING	5305-99-901-9736							1		
2	HYL9335	WASHER-CUP								6		
3	AB606031L	SCREW	5305-99-901-9736							6		
4	HYL9394	REDUCER-VOLTAGE -24 VOLTS TO 12 VOLTS								1		
5	NSS											
6	NSS											
7	NSS											
8	NSS											
9	RU604123	POP RIVET								6		

CHANGE POINT

ARN INTRODUCTION

GROUP WN/1



**AUXILLARY POWER SOCKETS AND BELL STRIP
- AMBULANCE**

PERENTIE LAND ROVER PARTS LIST

WN /1/1

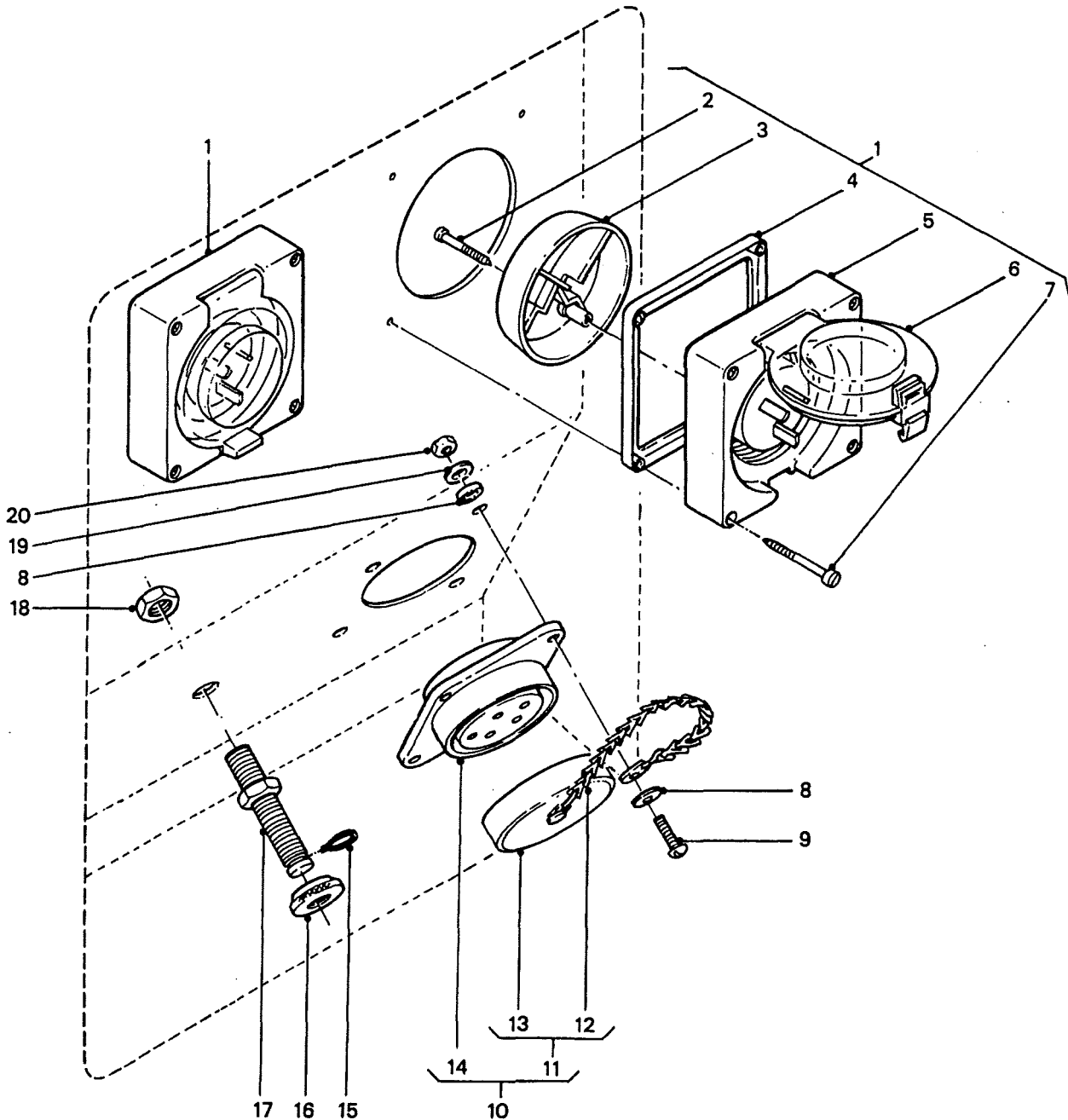
AUXILIARY POWER SOCKETS AND BELL STRIP - AMBULANCE

DERIVATIVE CODE

<u>ITEM</u>	<u>PART NO.</u>	<u>DESCRIPTION</u>	<u>NSN</u>	<u>2185</u>	<u>2186</u>	<u>2208</u>	<u>2209</u>	<u>2210</u>	<u>2211</u>	<u>2212</u>	<u>2219</u>	<u>CP</u>
1	NSS											
2	NSS											
3	AB106151	SCREW								4		
4	AB106101	SCREW								6		
5	NSS											
6	HYL9611	PLATE-MOUNTING-SOCKET								1		
7	PRC2079	BUSH-INSULATION-RED								1		
8	PRC2078	SOCKET-INSPECTION	5935-99-797-3844							2		
9	PRC2080	BUSH-INSULATION-BLACK								1		
10	WF507L	WASHER-FIBRE								2		
11	PRC2087	NUT-NYLON								2		

CHANGE POINT

ARN INTRODUCTION

GROUP WN/2

**GROUND STUD & AUXILLARY POWER SOCKETS
- 240 & 415 VOLT - GMV & ERV**

PERENTIE LAND ROVER PARTS LIST

WN /2/1

GROUND STUD & AUXILLARY POWER SOCKETS - 240 & 415 VOLT - GMV & ERV

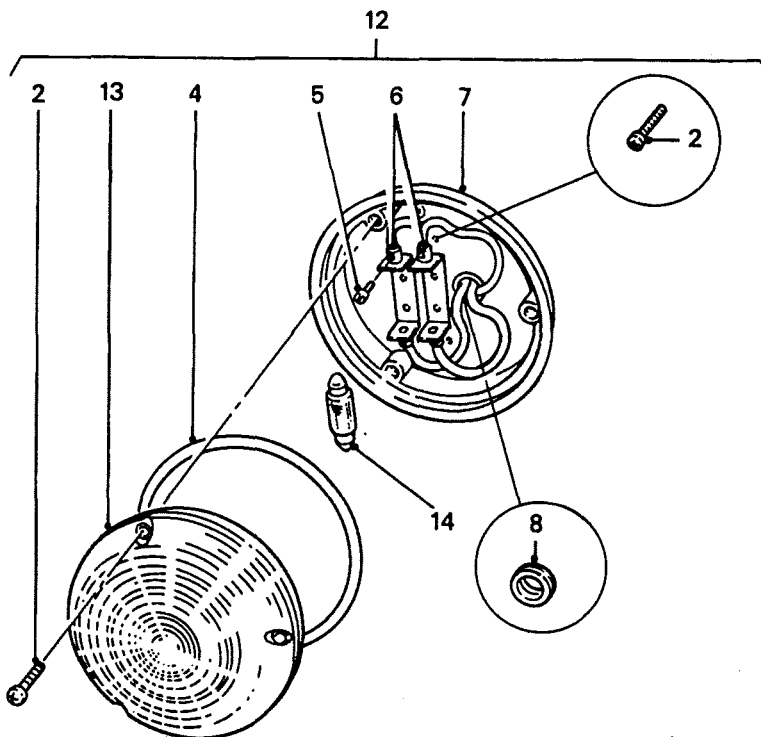
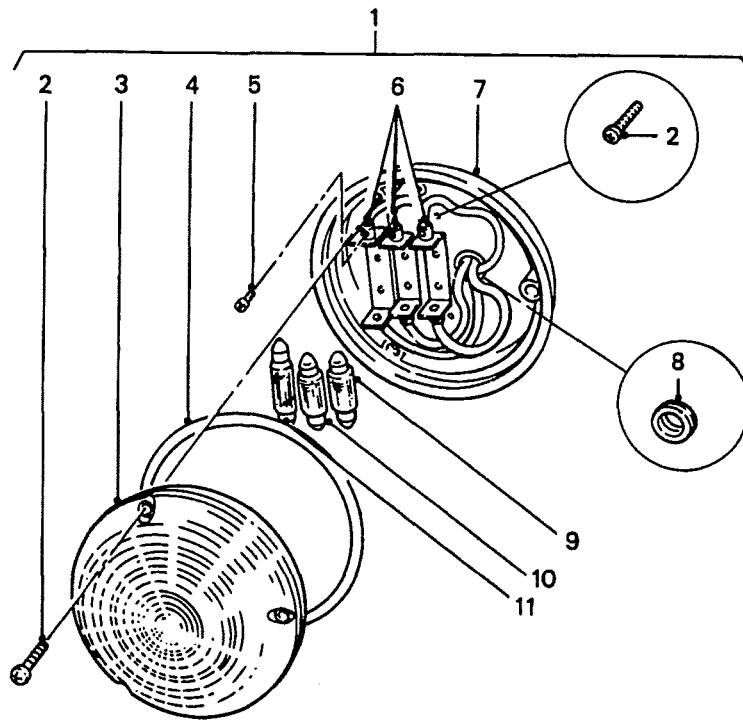
DERIVATIVE CODE

<u>ITEM</u>	<u>PART NO.</u>	<u>DESCRIPTION</u>	<u>NSN</u>	<u>2185</u>	<u>2186</u>	<u>2208</u>	<u>2209</u>	<u>2210</u>	<u>2211</u>	<u>2212</u>	<u>2219</u>	<u>CP</u>
1	HYM197	SOCKET-POWER	5935-66-128-6041					2	2			
2	HYM198	SCREW-SOCKET						1	1			
3	NSS											
4	NSS											
5	NSS											
6	NSS											
7	HYM199	SCREW-SOCKET						4	4			
8	WA103001L	WASHER-PLAIN	5310-99-122-3030					5	5			
9	AC103131	SCREW						4	4			
10	HYM201	SOCKET-POWER	5935-66-118-6551					1	1			
11	HYM202	CAP/CHAIN ASSY	5935-12-183-9597					1	1			
12	NSS											
13	NSS											
14	NSS											
15	HYM200	CIRCLIP						1	1			
16	NSS											
17	NSS											
18	NSS											
19	WM103001	WASHER-LOCK						4	4			
20	NH103041L	NUT						4	4			

CHANGE POINT

ARN INTRODUCTION

GROUP WNA



**REAR STOP, TAIL, TURN INDICATOR
AND REVERSE LAMPS – DOOR MOUNTED**

PERENTIE LAND ROVER PARTS LIST

WNA /1/1 REAR STOP, TAIL, TURN INDICATOR AND REVERSE LAMPS - DOOR MOUNTED

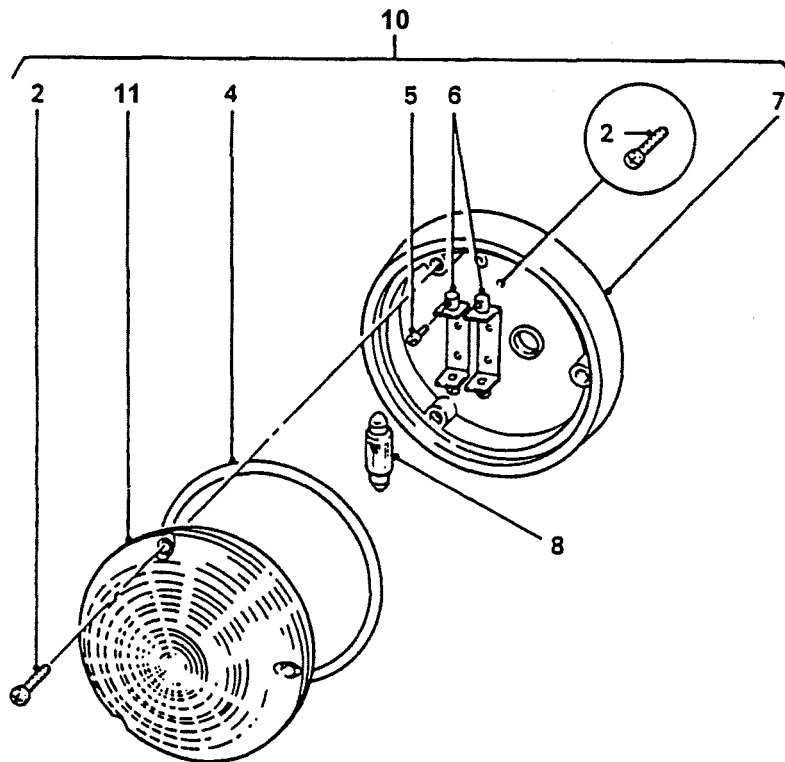
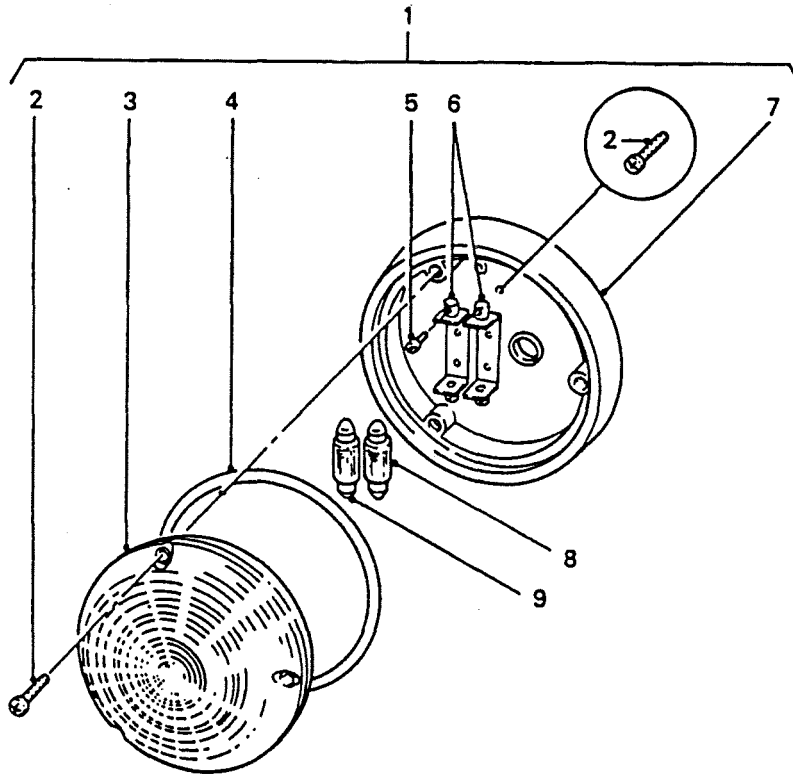
DERIVATIVE CODE

<u>ITEM</u>	<u>PART NO.</u>	<u>DESCRIPTION</u>	<u>NSN</u>	<u>2185</u>	<u>2186</u>	<u>2208</u>	<u>2209</u>	<u>2210</u>	<u>2211</u>	<u>2212</u>	<u>2219</u>	<u>CP</u>
1	HYL9076	LAMP-STOP/ TAIL/ FLASHER	6220-66-128-5899			2	2	2				
2	AB606031L	SCREW	5305-99-901-9736			30	30	30				
3	HYL9066	LENS-RED	6220-66-128-5900			2	2	2				
4	NSS											
5	NSS											
6	NSS											
7	NSS											
8	NSS											
9	HYL9078	BULB-FESTOON-24V, 18W	6240-66-035-5924			2	2	2				
10	RTC3633	BULB-FESTOON-12V, 5W	6240-66-014-8509			2	2	2				
11	HYL9081	BULB-FESTOON-12V, 10W	6240-66-090-7638			4	4	4				
12	HYL9075	LAMP-REVERSE	6220-66-128-5901			2	2	2				
13	HYL9065	LENS-CLEAR	6220-66-120-4188			2	2	2				
14	HYL9083	BULB-FESTOON-12V, 18W	6240-66-027-7458			2	2	2				
	HYL9077	LAMP-FLASHER	6220-66-035-3323			2	2	2				
	HYL9084	LENS-AMBER	6220-66-128-5903			2	2	2				

CHANGE POINT

ARN INTRODUCTION

GROUP WNB/1



**INTERIOR LAMPS – MODULE
– AMBULANCE, GMV AND ERV**

PERENTIE LAND ROVER PARTS LIST

WNB /1/1 INTERIOR LAMPS - MODULE - AMBULANCE, GMV AND ERV

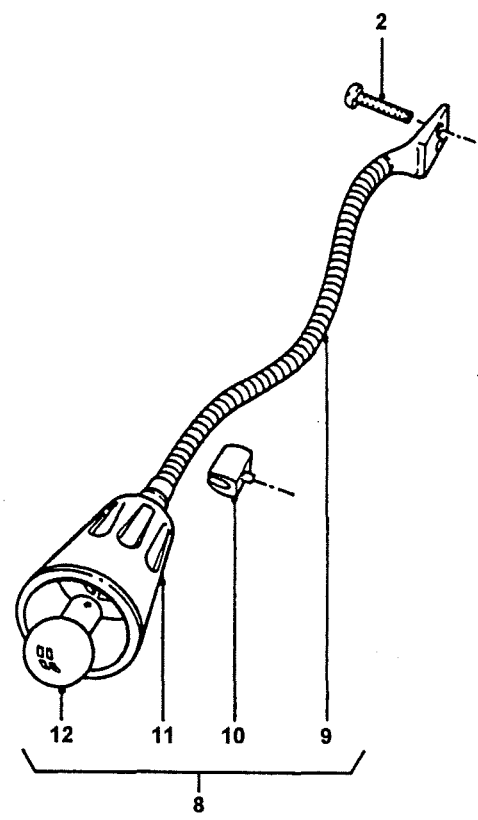
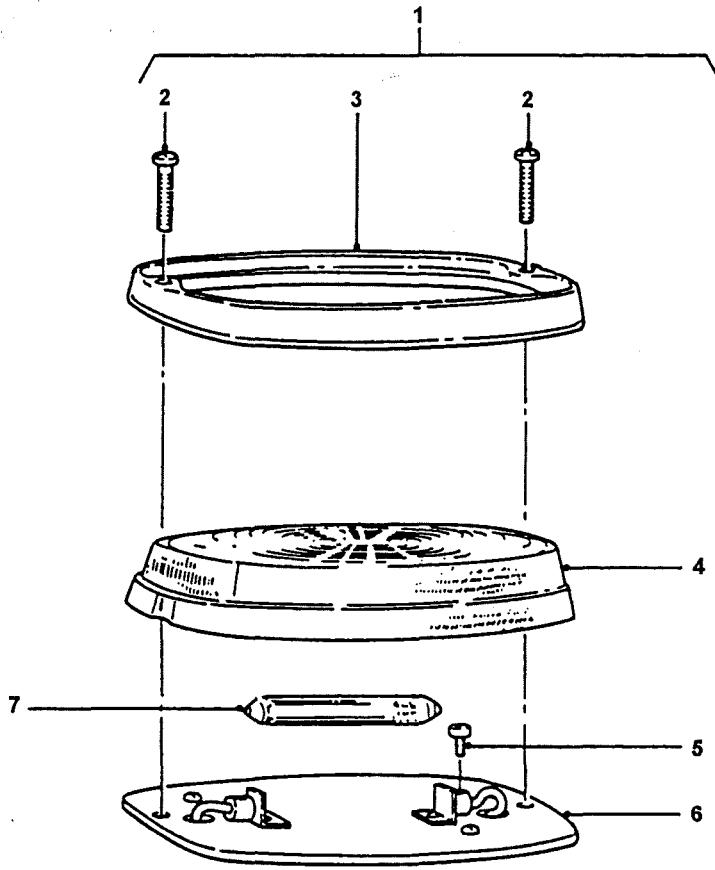
DERIVATIVE CODE

<u>ITEM</u>	<u>PART NO.</u>	<u>DESCRIPTION</u>	<u>NSN</u>	<u>2185</u>	<u>2186</u>	<u>2208</u>	<u>2209</u>	<u>2210</u>	<u>2211</u>	<u>2212</u>	<u>2219</u>	<u>CP</u>
1	HYL9063	LAMP ASSY-CEILING-FRONT & REAR (INCLUDES ITEMS 2-7)	6220-66-128-5904			2	4	4				
2	AB606031L	SCREW	5305-99-901-9736			20	30	30				
3	HYL9065	LENS-CLEAR	6220-66-120-4188			2	4	4				
4	NSS		5330-66-054-8813									
5	NSS											
6	NSS											
7	NSS											
8	HYL9079	BULB-24V,5W	6240-66-022-9412			4	6	6				
9	HYL9078	BULB-FESTOON-24V,18W	6240-66-035-5924			2	4	4				
10	HYL9064	LAMP ASSY-CEILING-FRONT (INCLUDES ITEMS 2, 4-7, 11)	6220-66-120-5948			2	2	2				
11	HYL9066	LENS-RED	6220-66-128-5900			2	2	2				

CHANGE POINT

ARN INTRODUCTION

GROUP WNB/2



**INTERIOR LAMPS – MODULE
– AMBULANCE**

PERENTIE LAND ROVER PARTS LIST

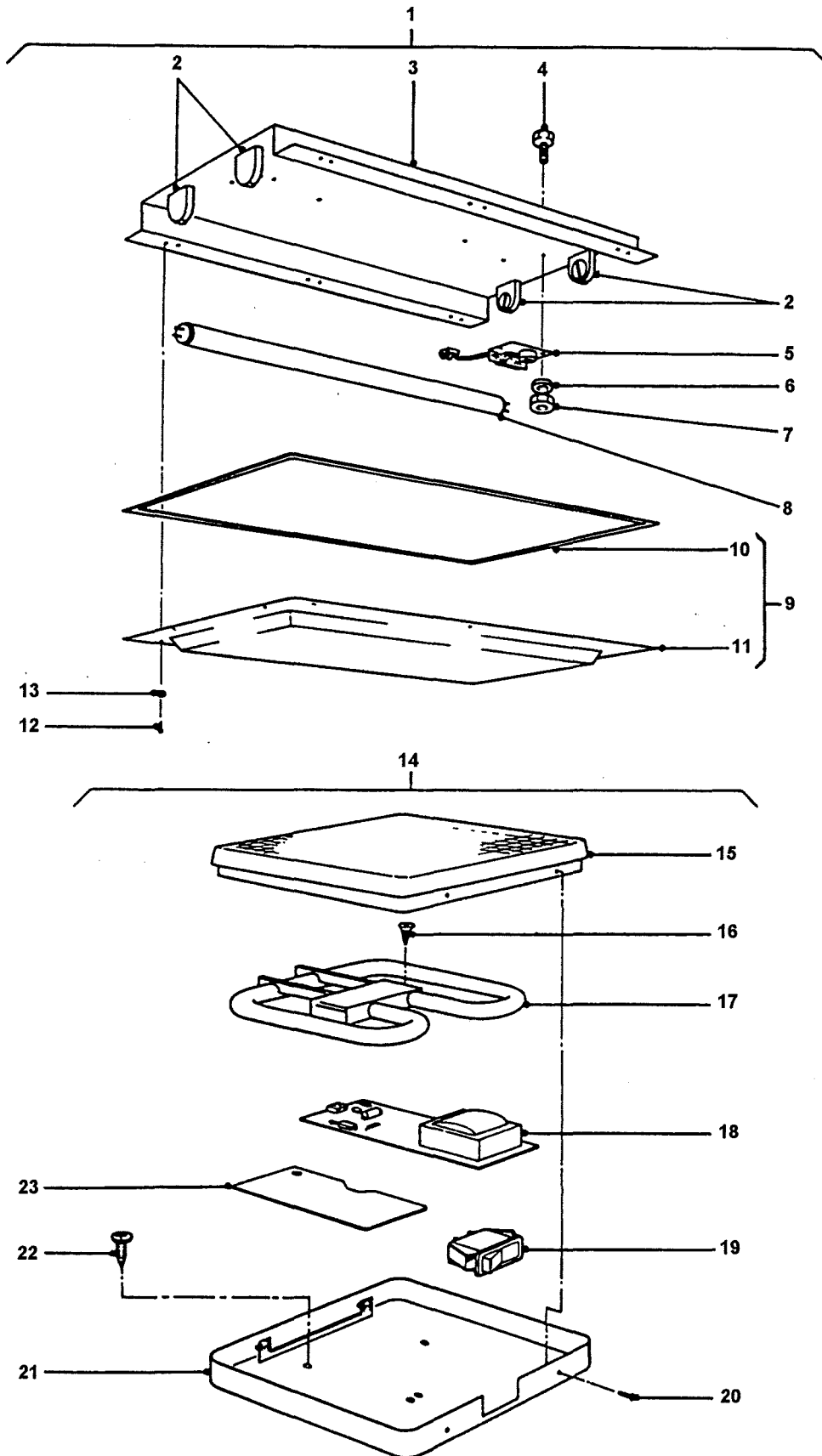
WNB /2/1 INTERIOR LAMPS - MODULE - AMBULANCE

DERIVATIVE CODE

ITEM	PART NO.	DESCRIPTION	NSN	DERIVATIVE CODE								
				2185	2186	2208	2209	2210	2211	2212	2219	CP
1	HYL9068	LAMP-INTERIOR- RECTANGULAR (INCLUDES ITEMS 2-7)	6220-66-026-7098									2
2	AB606051L	SCREW	5305-66-016-0723									8
3	HYL9069	SURROUND-LAMP										2
4	HYL9070	LENS-LAMP	6220-66-128-5902									2
5	NSS											
6	NSS											
7	HYL9078	BULB-FESTOON-24V,18W	6240-66-035-5924									2
8	HYL9067	LAMP-DESK	6230-66-101-0966									2
9	NSS											
10	NSS											
11	NSS											
12	HYL9080	BULB	6240-66-092-4288									2

CHANGE POINT

ARN INTRODUCTION

GROUP WNB/3

**INTERIOR LAMPS – MODULE
– GMV**

PERENTIE LAND ROVER PARTS LIST

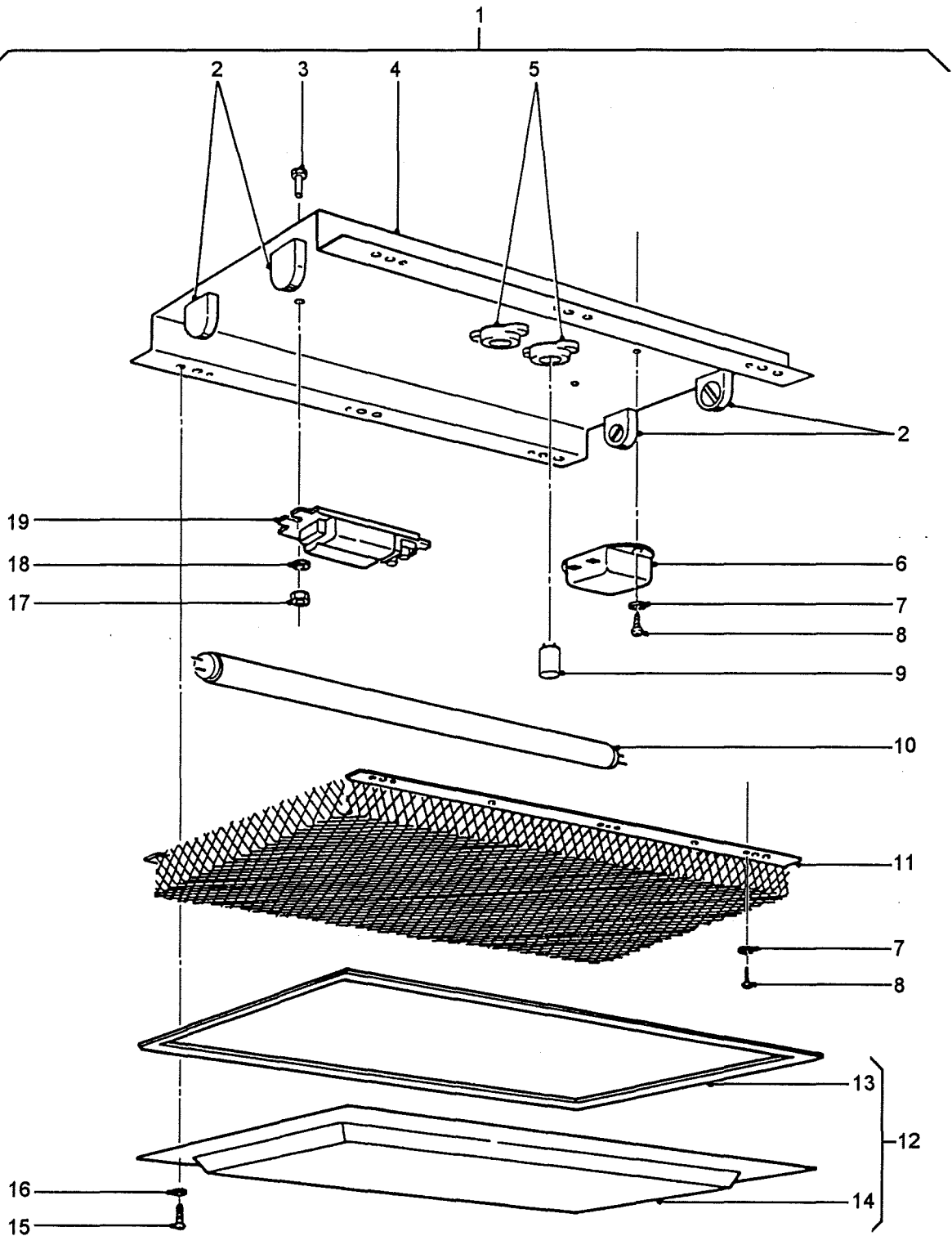
WNB /3/1 INTERIOR LAMPS - MODULE - GMV

ITEM	PART NO.	DESCRIPTION	NSN	DERIVATIVE CODE									
				2185	2186	2208	2209	2210	2211	2212	2219	CP	
1	HYM367	LAMP ASSY-FLOURESCENT-24V, 18W (INCLUDES ITEMS 2-13)											4
2	HYM18	HOLDER-LAMP											8
3	NSS												
4	SE103151	SCREW											8
5	HYM368	INVERTER											4
6	WF103001	WASHER-LOCK											8
7	NH103141	NUT											8
8	HYM461	TUBE-FLOURESCENT	6240-66-123-1138										8
9	HYM21	DIFFUSER AND GASKET ASSY											4
10	NSS												
11	NSS												
12	AB608068	SCREW											16
13	HYM369	WASHER-CUP											16
14	HYM370	LAMP ASSY-FLOURESCENT-24V, 16W (INCLUDES ITEMS 15-23)											3
15	HYM371	LENS											3
16	HYM372	SCREW											6
17	HYM373	TUBE-FLOURESCENT	6240-66-128-6072										3
18	HYM374	INVERTER											3
19	HYM375	SWITCH-LAMP	5930-66-128-6074										3
20	AB606041L	SCREW	5305-99-950-4416										12
21	NSS												
22	AB606057	SCREW											12
23	HYM376	HEATSINK											3

CHANGE POINT

ARN INTRODUCTION

GROUP WNB/4



**INTERIOR LAMPS – MODULE
– ERV**

PERENTIE LAND ROVER PARTS LIST

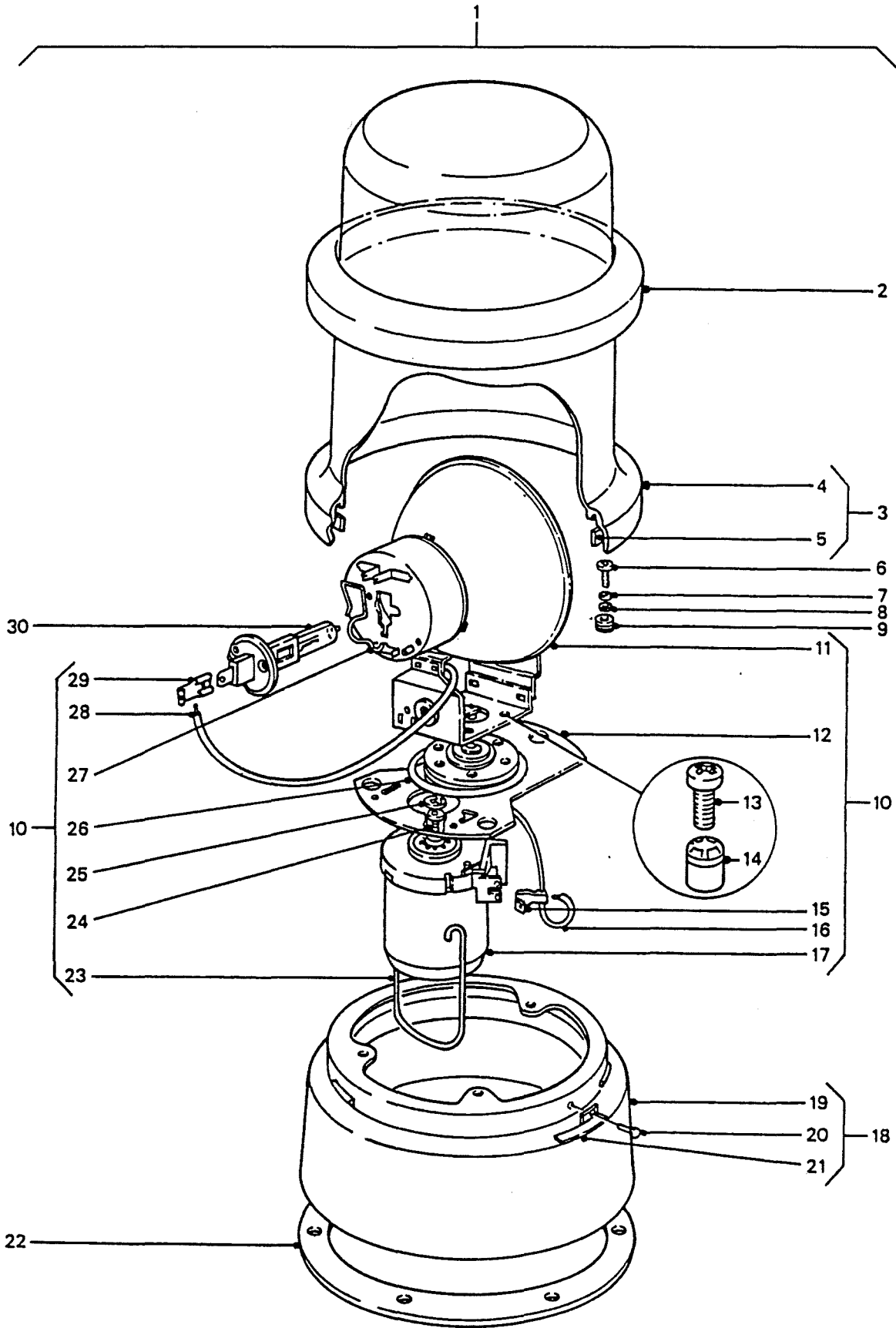
WNB /4/1 INTERIOR LAMPS - MODULE - ERV

ITEM	PART NO.	DESCRIPTION	NSN	DERIVATIVE CODE												
				<u>2185</u>	<u>2186</u>	<u>2208</u>	<u>2209</u>	<u>2210</u>	<u>2211</u>	<u>2212</u>	<u>2219</u>	<u>CP</u>				
1	HYM17	LAMP ASSY-FLUORESCENT-240V, 20W								4						
2	HYM18	HOLDER-LAMP								16						
3	SE104121L	SCREW								8						
4	NSS															
5	HYM19	SOCKET-STARTER								8						
6	BYG9231	FILTER-LAMP								4						
7	WE702101L	WASHER-LOCK								32						
8	AB610055	SCREW	5305-99-120-5723							32						
9	HYM20	SWITCH-STARTER								8						
10	NSS		6240-66-033-1863													
11	BYG9205	SHIELD-MESH-LAMP								4						
12	HYM21	DIFFUSER & GASKET ASSY								4						
13	NSS															
14	NSS															
15	AD608068	SCREW								24						
16	HYM369	WASHER-CUP								24						
17	NH104041L	NUT	5310-66-128-4720							8						
18	WF104001L	WASHER-LOCK	5310-99-977-1867							8						
19	HYM22	BALLAST								4						

CHANGE POINT

ARN INTRODUCTION

GROUP WNC/1



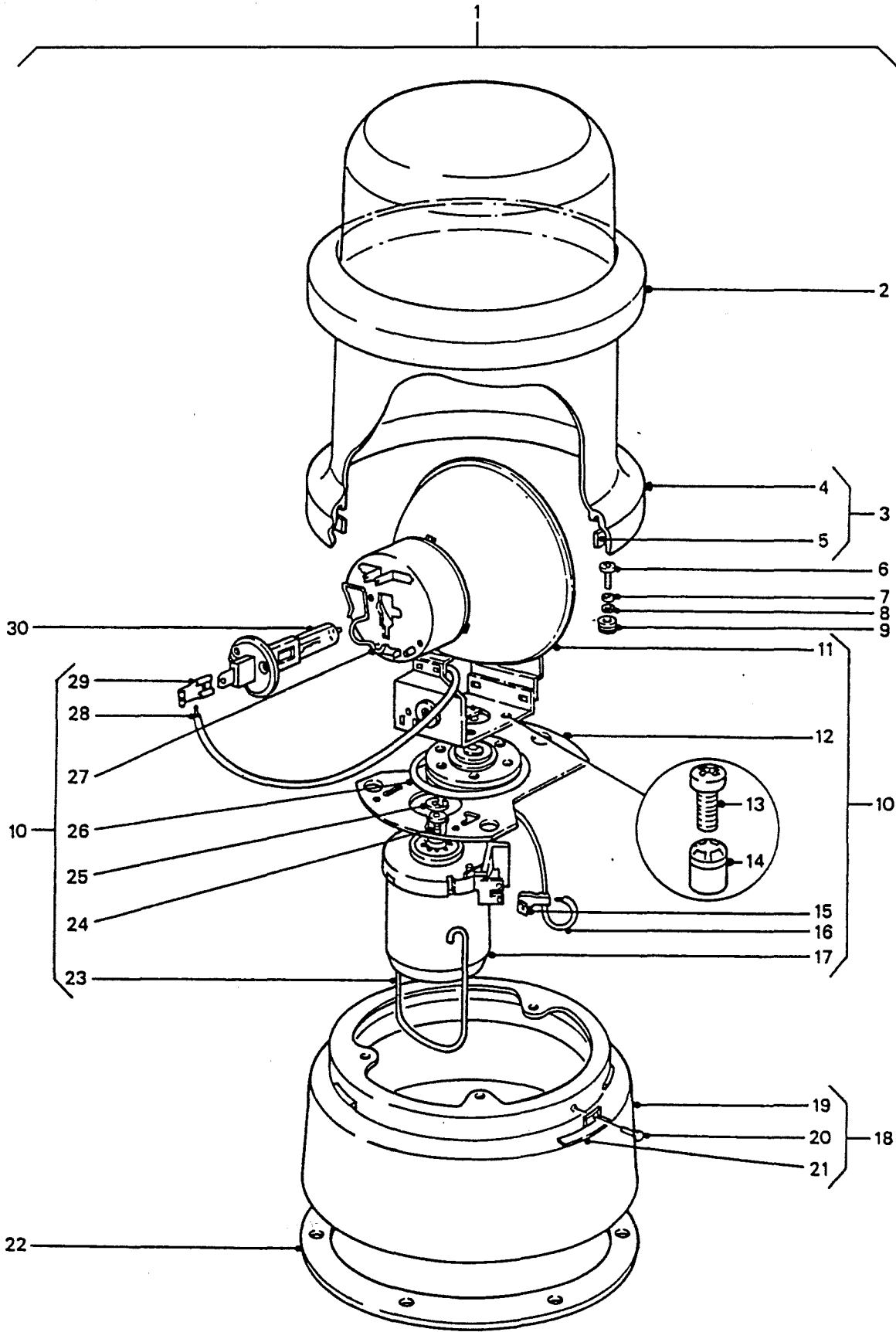
BEACON LAMP ASSEMBLY - AMBULANCE

PERENTIE LAND ROVER PARTS LIST

WNC /1/1 BEACON LAMP ASSEMBLY - AMBULANCE

ITEM	PART NO.	DESCRIPTION	NSN	DERIVATIVE CODE										
				2185	2186	2208	2209	2210	2211	2212	2219	CP		
1	HYL9156	LAMP-ROTATING	6220-66-098-6291			2								
2	NSS													
3	HYL9157	LENS ASSY-BEACON LAMP (INCLUDES ITEMS 4 & 5)	6220-66-128-5912			1								
4	NSS													
6	NSS													
7	NSS													
8	NSS													
9	NSS													
10	HYL9158	MOTOR/REFLECTOR ASSY (INCLUDES ITEMS 11-17,23-29)	6220-66-128-5913			1								
11	HYL9159	REFLECTOR				1								
12	NSS													
13	NSS													
14	NSS													
15	NSS													
16	NSS													
17	NSS													
18	HYL9161	BASE-LAMP (INCLUDES ITEMS 19-21)				1								
19	NSS													
20	NSS													
21	NSS													
22	HYL9162	GASKET-LAMP				1								
23	NSS													
24	NSS													
25	NSS													
26	HYL9163	BELT-DRIVE												
27	NSS													
28	NSS													

GROUP WNC/1



**BEACON LAMP ASSEMBLY
- AMBULANCE**

PERENTIE LAND ROVER PARTS LIST

WNC /1/1 BEACON LAMP ASSEMBLY - AMBULANCE

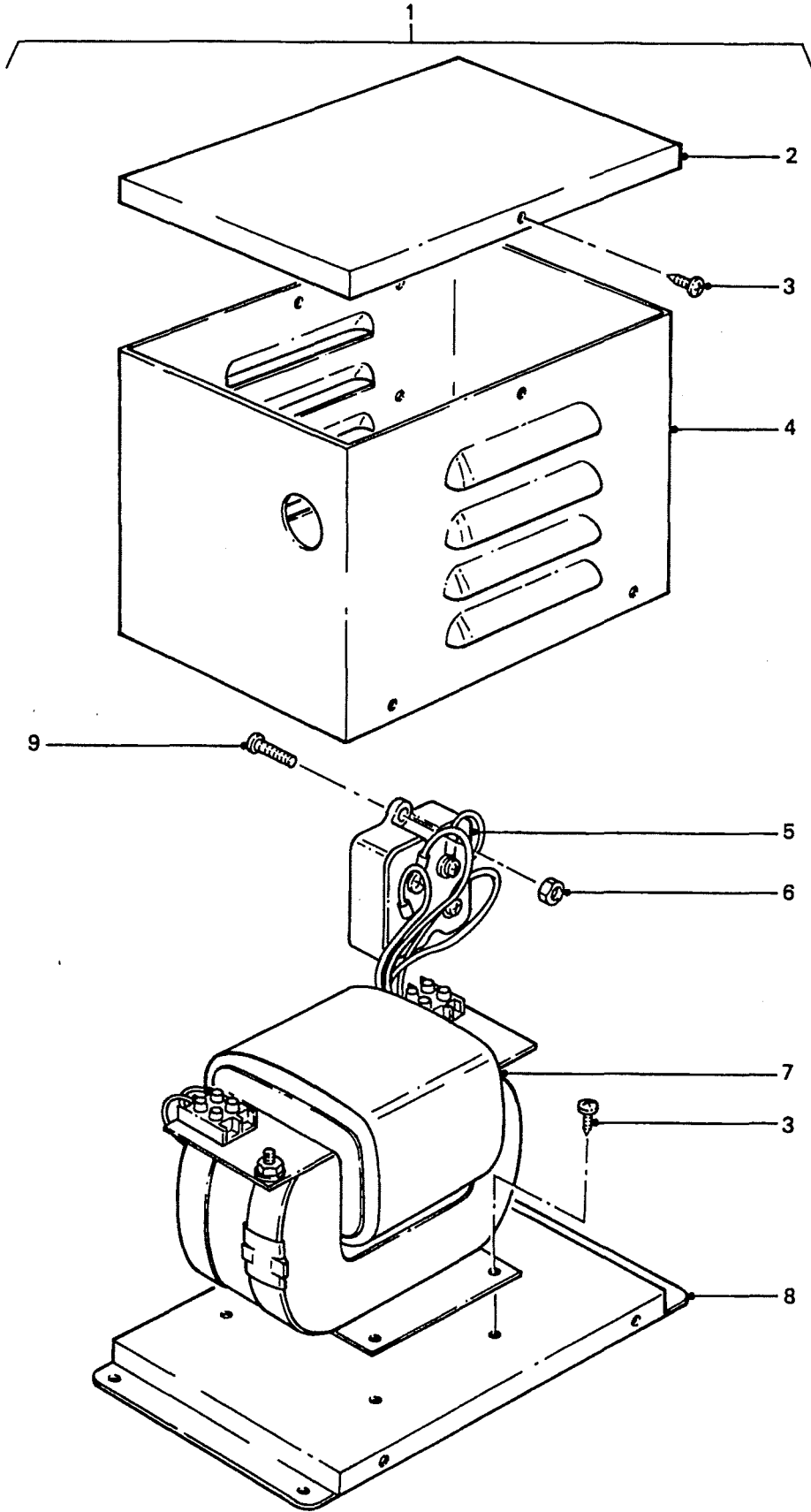
DERIVATIVE CODE

<u>ITEM</u>	<u>PART NO.</u>	<u>DESCRIPTION</u>	<u>NSN</u>	<u>2185</u>	<u>2186</u>	<u>2208</u>	<u>2209</u>	<u>2210</u>	<u>2211</u>	<u>2212</u>	<u>2219</u>	<u>CP</u>
29	NSS											
30	HYL9165	BULB-24V, 70W	6240-66-034-1344									1
	HYL9164	SLIP RING ASSY (PART OF ITEM 10)										1
	HYL9160	BRUSH SET (PART OF ITEM 10)										1

CHANGE POINT

ARN INTRODUCTION

GROUP WNC/2



**TRANSFORMER ASSEMBLY
- 240 VOLT TO 24 VOLT - GMV**

PERENTIE LAND ROVER PARTS LIST

WNC /2/1 TRANSFORMER ASSEMBLY - 240 VOLT TO 24 VOLT - GMV

DERIVATIVE CODE

<u>ITEM</u>	<u>PART NO.</u>	<u>DESCRIPTION</u>	<u>NSN</u>	<u>2185</u>	<u>2186</u>	<u>2208</u>	<u>2209</u>	<u>2210</u>	<u>2211</u>	<u>2212</u>	<u>2219</u>	<u>CP</u>
1	HYM377	TRANSFORMER ASSY						1				01
2	NSS											
3	HYM431	SCREW						10				
4	NSS											
5	HYM378	RECTIFER						1				
6	HYM432	NUT						2				
7	HYM379	TRANSFORMER						1				
8	NSS											
9	HYM433	SCREW						2				

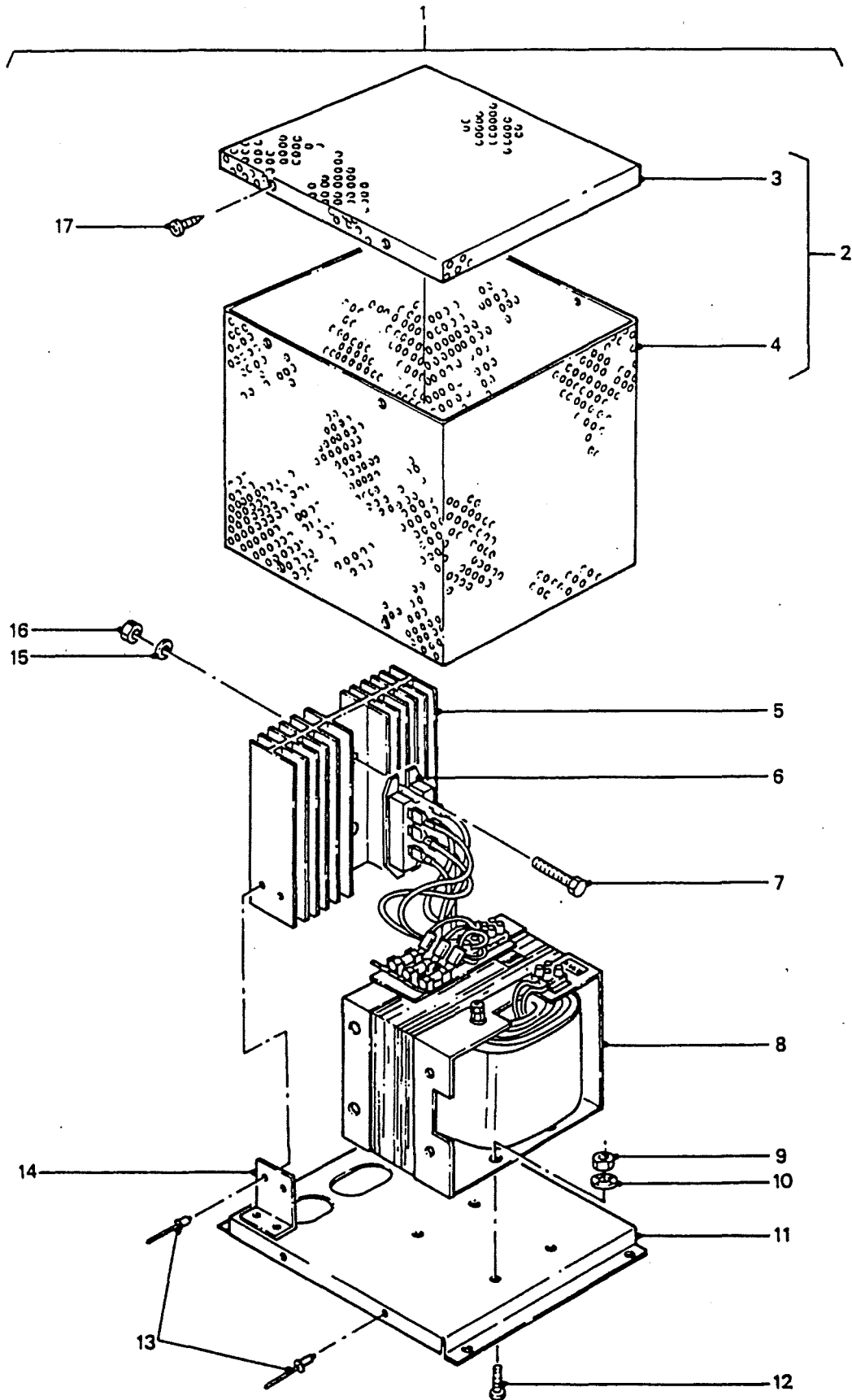
CHANGE POINT

ARN INTRODUCTION

1

HYM377 NLA - USE HYM303 SEE WNC/3 FOR BREAKDOWN

GROUP WNC/3



**TRANSFORMER ASSEMBLY
- 240 VOLT TO 24 VOLT - ERV**

PERENTIE LAND ROVER PARTS LIST

WNC /3/1 TRANSFORMER ASSEMBLY - 240 VOLT TO 24 VOLT - ERV

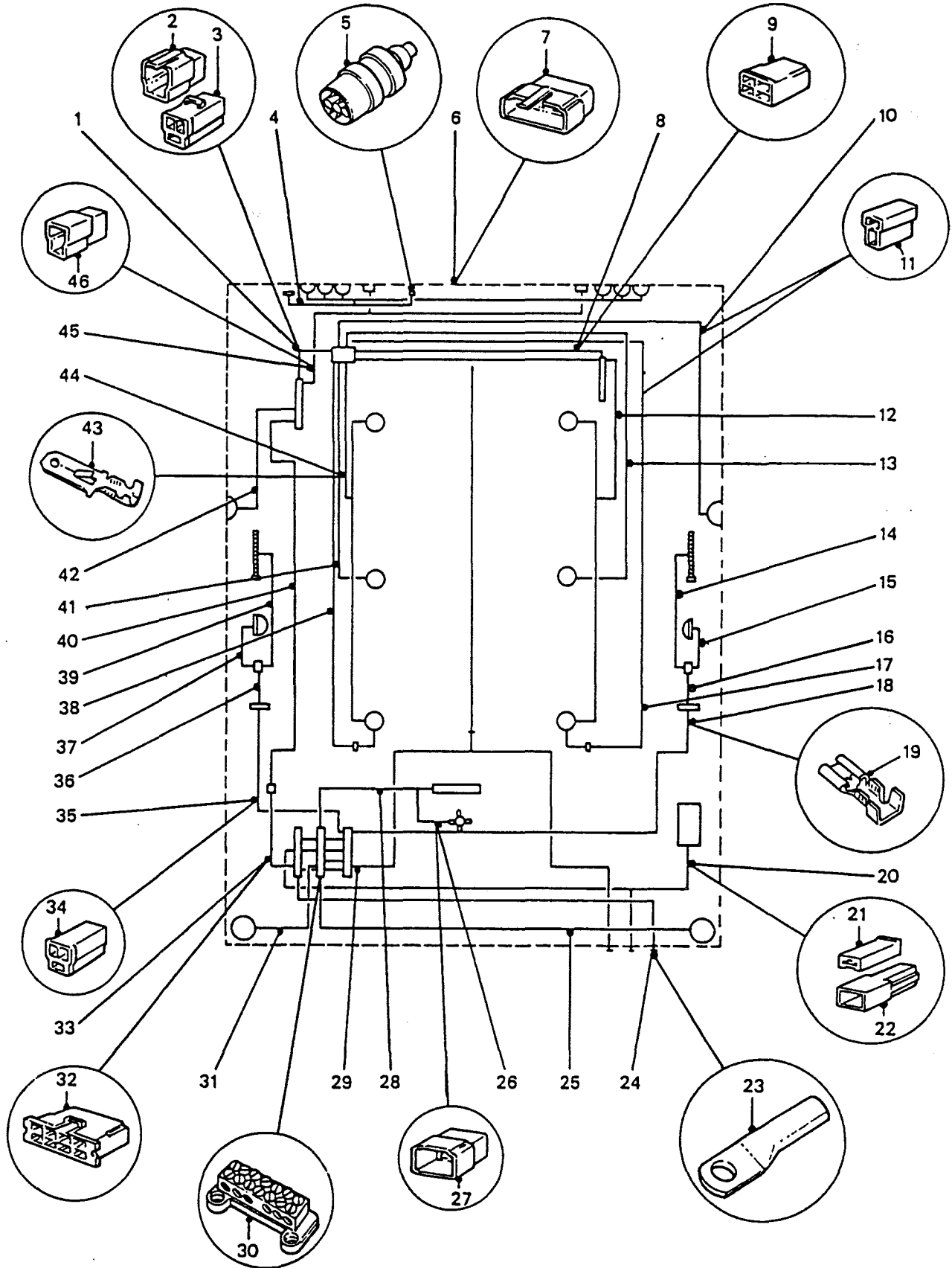
DERIVATIVE CODE

ITEM	PART NO.	DESCRIPTION	NSN	DERIVATIVE CODE													
				2185	2186	2208	2209	2210	2211	2212	2219	CP					
1	HYM303	TRANSFORMER ASSY (INCLUDES ITEMS 2-17)															1
2	HYM304	CASE-TRANSFORMER															1
3	NSS																
4	NSS																
5	HYM305	HEATSINK															1
6	HYM306	DIODE															1
8	HYM307	TRANSFORMER															1
9	NH106041L	NUT	5310-66-098-4401														4
10	WF106001L	WASHER-LOCK	5310-66-128-4931														4
11	NSS																
12	SE106201L	SCREW	5305-99-796-7536														4
13	HYL9927	POP RIVET															8
14	NSS																
15	WF105001L	WASHER-LOCK	5310-99-977-1102														2
17	AB608047	SCREW															4

CHANGE POINT

ARN INTRODUCTION

GROUP WND/1



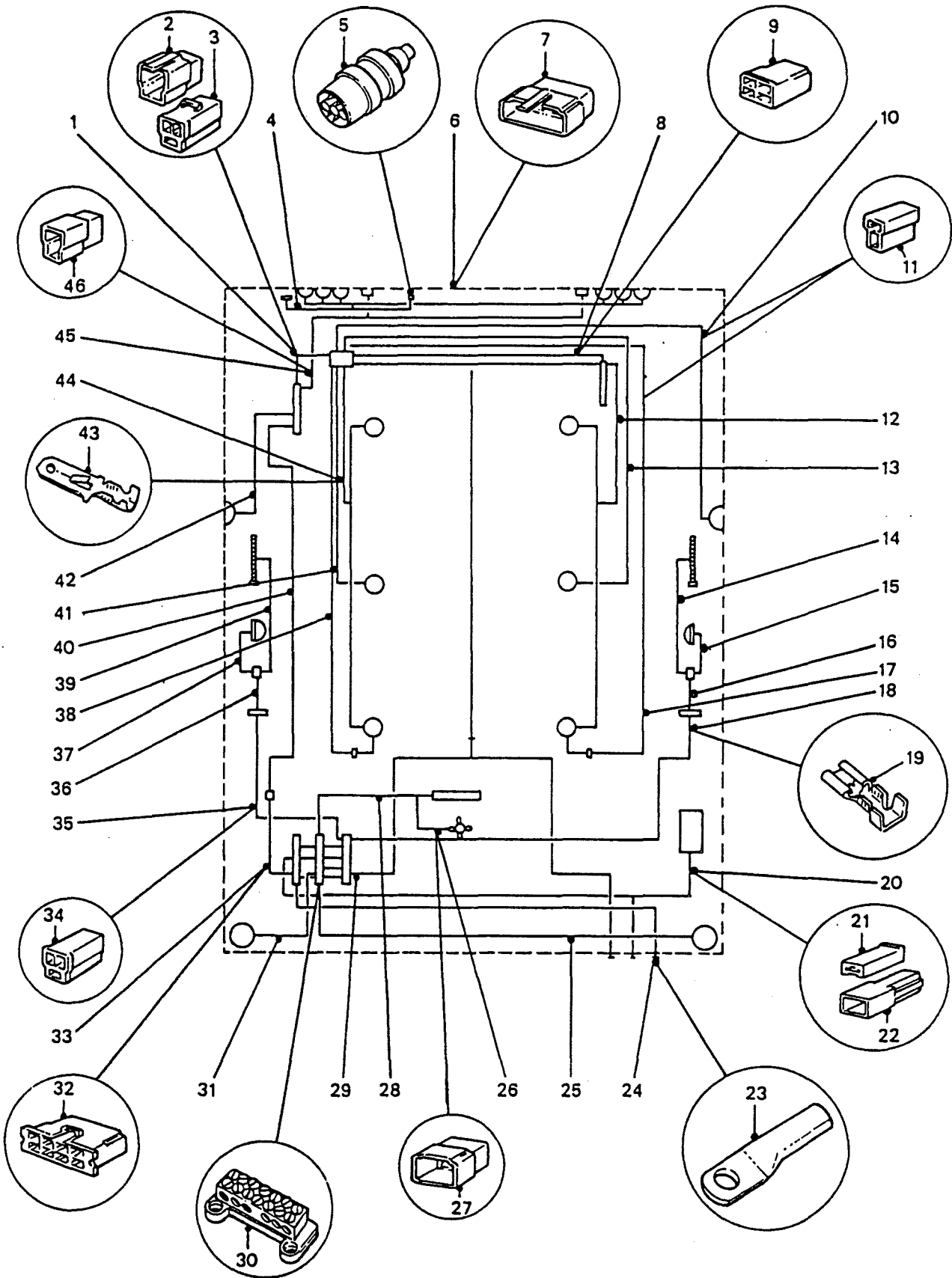
REAR WIRING HARNESSES AND FITTINGS – MODULE – AMBULANCE

PERENTIE LAND ROVER PARTS LIST

WND /1/1 REAR WIRING HARNESSES AND FITTINGS - MODULE - AMBULANCE
DERIVATIVE CODE

<u>ITEM</u>	<u>PART NO.</u>	<u>DESCRIPTION</u>	<u>NSN</u>	<u>2185</u>	<u>2186</u>	<u>2208</u>	<u>2209</u>	<u>2210</u>	<u>2211</u>	<u>2212</u>	<u>2219</u>	<u>CP</u>
1	HYL9395	HARNESS-REAR SWITCH PANEL TO REAR CEILING JUNCTION							1			
2	NSS											
3	NSS											
4	HYL9396	HARNESS-TOWING PLUG -7 PIN							1			
5	HYM384	PLUG-TOWING	5935-66-055-1377						1			
6	HYL9398	HARNESS-STOP/TAIL -INDICATOR AND REVERSE LAMPS							1			
7	NSS											
8	HYL9399	HARNESS-CEILING JUNCTION BOX TO HEATER							1			
9	NSS											
10	HYL9400	HARNESS-CEILING JUNCTION TO LH SCAN LIGHT							1			
11	NSS											
12	HYL9401	HARNESS-CEILING JUNCTION TO LH CEILING LIGHT							1			
13	HYL9402	HARNESS-CEILING JUNCTION TO LH BLACKOUT LIGHT							1			
14	HYL9405	HARNESS-FLOOR TERMINAL BLOCK TO LH LOWER INSPECTION LAMP							1			
15	HYL9407	HARNESS-FLOOR TERMINAL BLOCK TO LH LITTER LAMP							1			
16	HYL9404	HARNESS-TERMINAL BLOCK TO LH LITTER LAMP SWITCH							1			

GROUP WND/1



REAR WIRING HARNESSES AND FITTINGS – MODULE – AMBULANCE

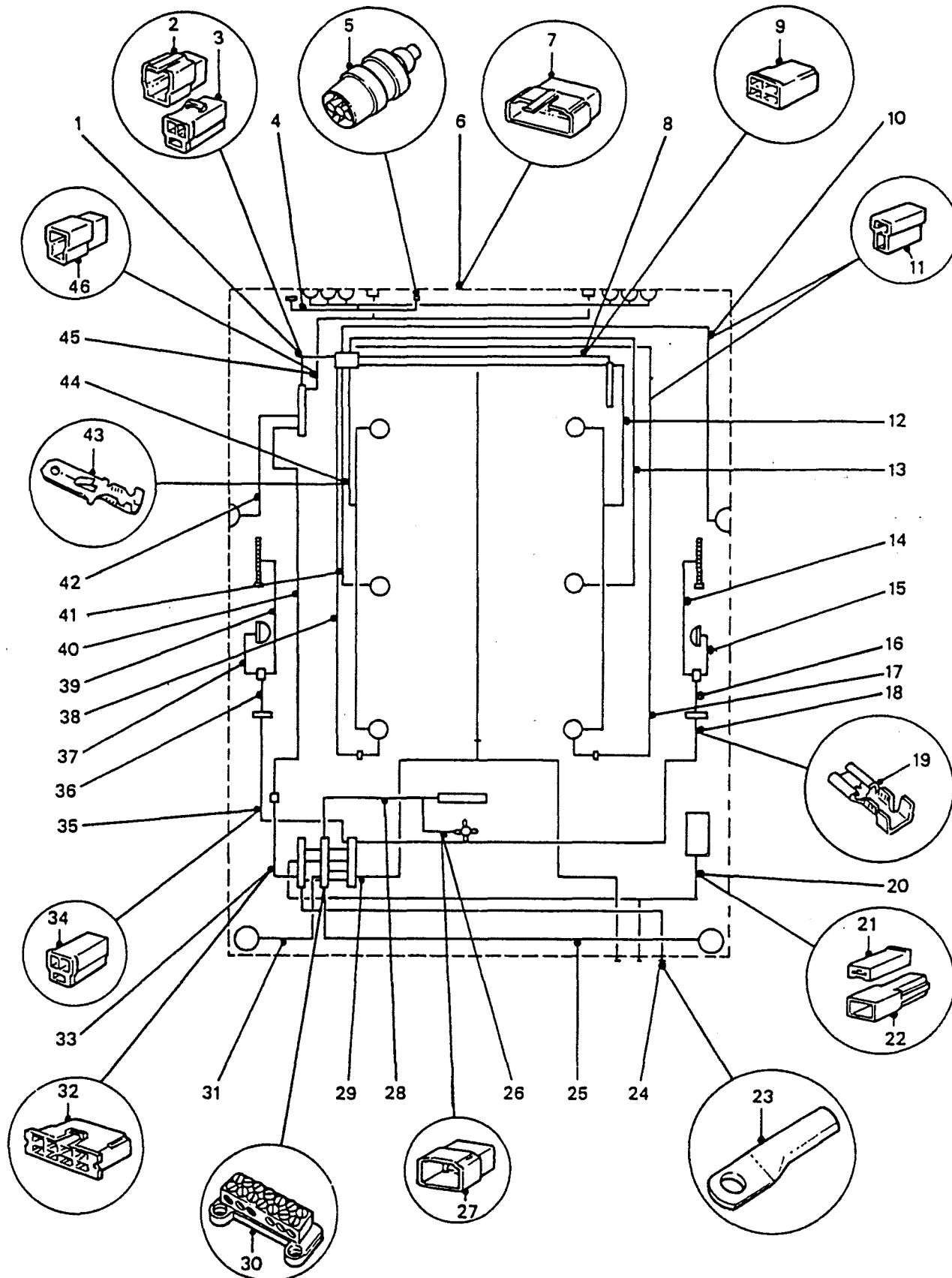
PERENTIE LAND ROVER PARTS LIST

WND /1/1 REAR WIRING HARNESSES AND FITTINGS - MODULE - AMBULANCE

DERIVATIVE CODE

<u>ITEM</u>	<u>PART NO.</u>	<u>DESCRIPTION</u>	<u>NSN</u>	<u>2185</u>	<u>2186</u>	<u>2208</u>	<u>2209</u>	<u>2210</u>	<u>2211</u>	<u>2212</u>	<u>2219</u>	<u>CP</u>
17	HYL9406	HARNESS-REDUCED LIGHTING-LH							1			
18	HYL9403	HARNESS-FUSE PANEL TO LH LITTER LAMP SWITCH							1			
19	NSS											
20	HYL9408	HARNESS-CANNON PLUG TO SUCTION PUMP & MAIN SWITCH PANEL							1			
21	NSS											
22	NSS											
23	NSS											
24	HYL9409	HARNESS-MAIN SWITCH PANEL TO EARTH							1			
25	HYL9410	HARNESS-RELAY BANK TO LH BEACON LAMP							1			
26	HYL9411	HARNESS-AIR CON EVAPORATOR TO AIR CONDITIONING CONDENSER							1			
27	NSS											
28	HYL9412	HARNESS-RELAY BANK TO AIR CON							1			
29	HYL9413	HARNESS-OVERHEAD BUZZER ALARM TO FUSE BLOCK							1			
30	NSS											
31	HYL9414	HARNESS-RELAY BANK TO RH BEACON LAMP							1			
32	NSS											
33	HYL9415	HARNESS-SWITCH PANEL TO REAR HARNESS							1			
34	NSS											
35	HYL9416	HARNESS-FUSE PANEL TO RH LITTER LAMP SWITCH							1			

GROUP WND/1



REAR WIRING HARNESSES AND FITTINGS – MODULE – AMBULANCE

PERENTIE LAND ROVER PARTS LIST

WND /2/1 REAR WIRING HARNESSSES AND FITTINGS - MODULE - GMV

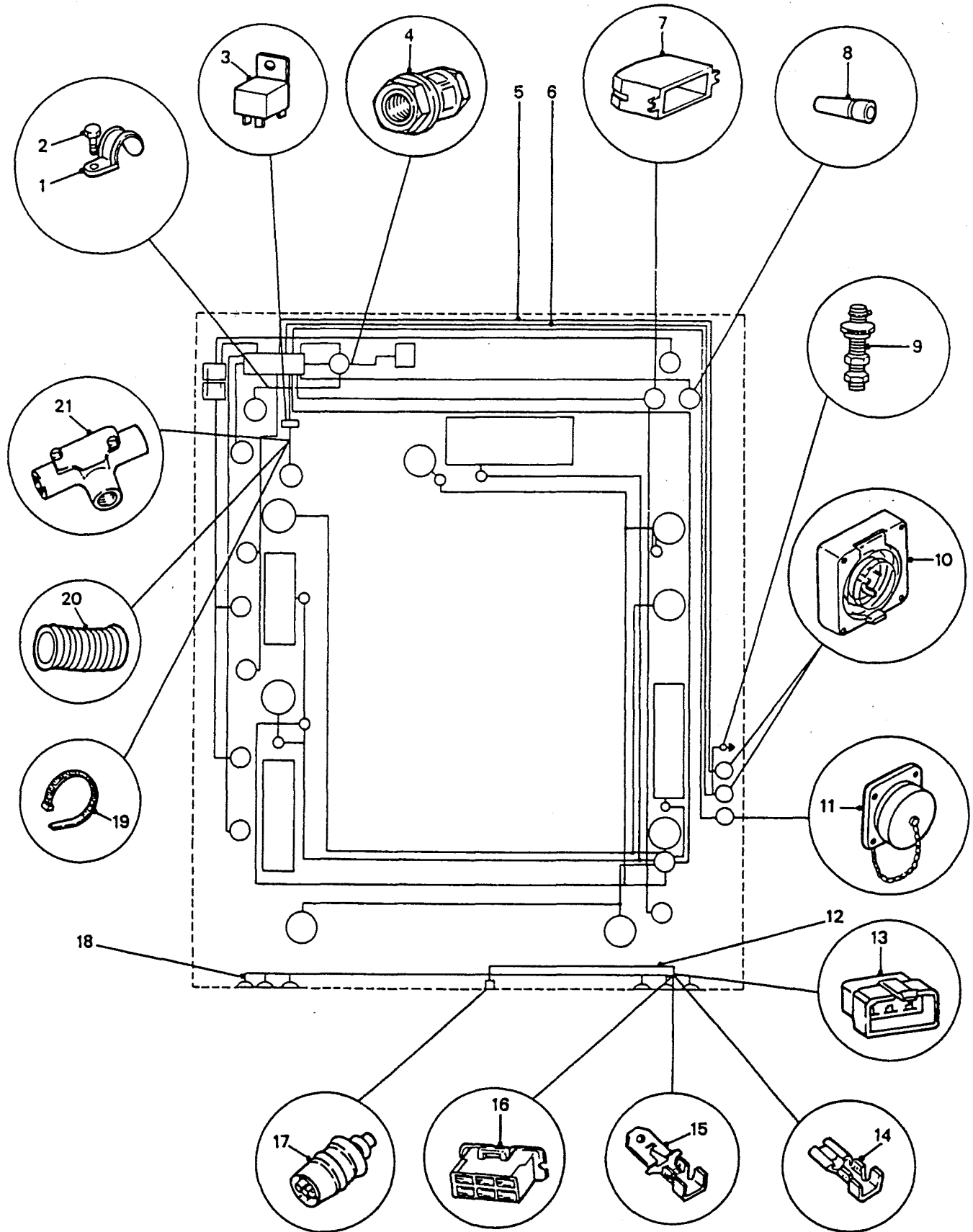
DERIVATIVE CODE

<u>ITEM</u>	<u>PART NO.</u>	<u>DESCRIPTION</u>	<u>NSN</u>	<u>2185</u>	<u>2186</u>	<u>2208</u>	<u>2209</u>	<u>2210</u>	<u>2211</u>	<u>2212</u>	<u>2219</u>	<u>CP</u>
1	HYM235	GLAND NUT								1		
2	HYM237	SHROUD-INSULATION								2		
3	HYM236	SHROUD-INSULATION								2		
4	NSS											
5	HYM380	ADAPTOR-CABLE								2		
6	NSS											
7	NSS											
8	HYM240	TERMINAL								1		
9	NSS											
10	NSS											
11	HYM197	SOCKET-POWER	5935-66-128-6041							2		
12	HYM201	SOCKET-POWER								1		
13	HYM381	ADAPTOR-CABLE								1		
14	HYM382	ELBOW-INSPECTION								1		
15	HYM383	HARNESS-REAR DOOR LIGHT								1		
16	HYM239	TERMINAL								1		
17	NSS											
18	HYM238	HARNESS-TRAILER PLUG TO HIGH LEVEL LIGHTS								1		
19	HYM242	HOUSING-CONNECTOR								1		
20	HYM384	PLUG-TOWING	5935-66-055-1377							1		
21	HYM30	HARNESS-HIGH LEVEL LIGHTS								1		
22	HYM241	HOUSING-CONNECTOR								1		
23	NSS											
24	NSS									1		
25	HYM244	JUNCTION-3WAY								1		

CHANGE POINT

ARN INTRODUCTION

GROUP WND/3



REAR WIRING HARNESSES AND FITTINGS – MODULE – ERV

PERENTIE LAND ROVER PARTS LIST

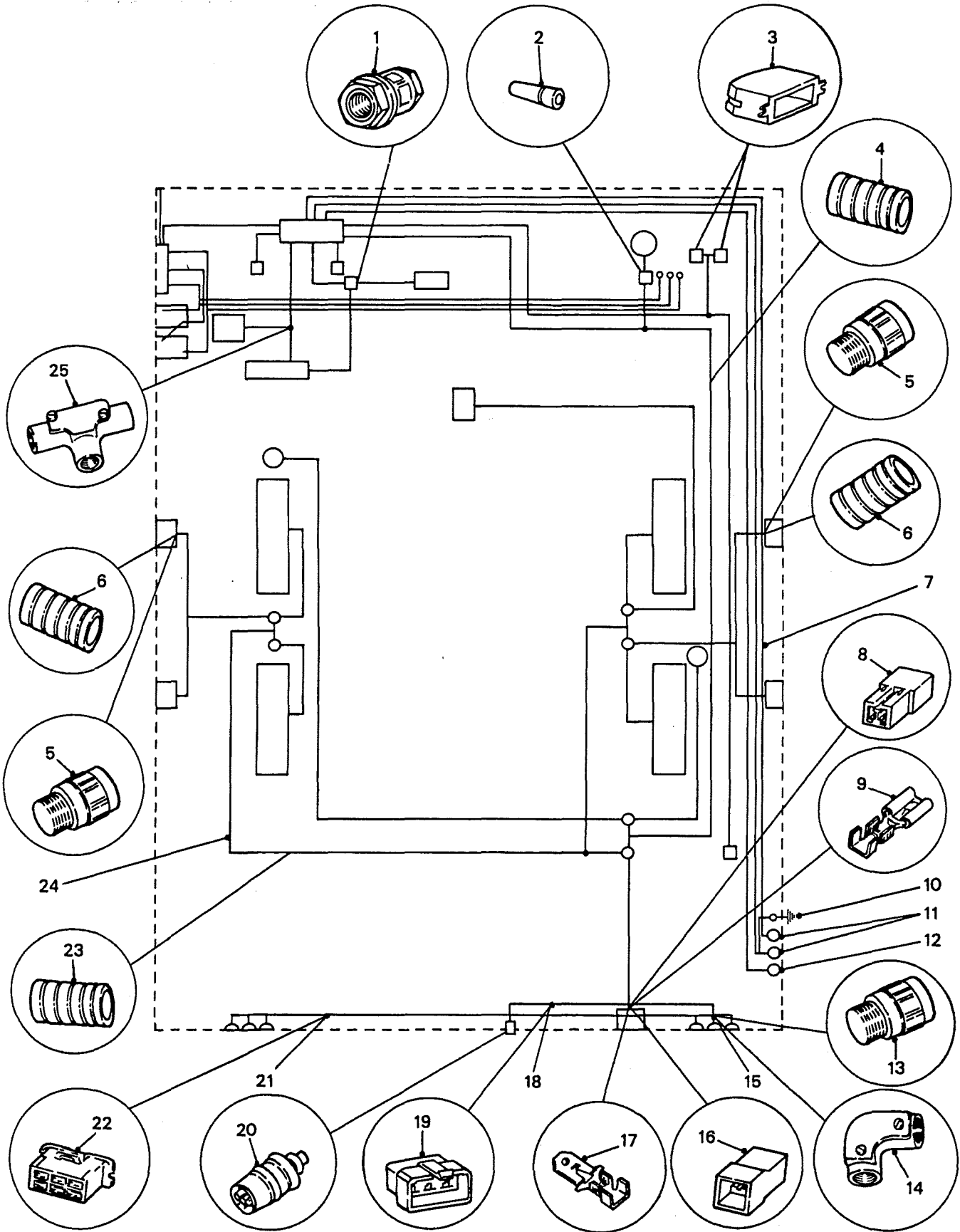
WND /1/1 REAR WIRING HARNESSES AND FITTINGS - MODULE - AMBULANCE
DERIVATIVE CODE

<u>ITEM</u>	<u>PART NO.</u>	<u>DESCRIPTION</u>	<u>NSN</u>	<u>2185</u>	<u>2186</u>	<u>2208</u>	<u>2209</u>	<u>2210</u>	<u>2211</u>	<u>2212</u>	<u>2219</u>	<u>CP</u>
36	HYL9417	HARNESS-TERMINAL BLOCK TO RH LITTER LAMP SWITCH							1			
37	HYL9418	HARNESS-FLOOR TERMINAL BLOCK TO RH LITTER LIGHT							1			
38	HYL9419	HARNESS-SWITCH TO REDUCED LIGHTING-RH							1			
39	HYL9420	HARNESS-FLOOR TERMINAL BLOCK TO RH INSPECTION LAMP							1			
40	HYL9421	HARNESS-FRONT SWITCH PANEL TO REAR SWITCH PANEL							1			
41	HYL9423	HARNESS-CEILING JUNCTION TO RH BLACKOUT LAMPS							1			
42	HYL9424	HARNESS-REAR SWITCH PANEL TO RH SCAN LIGHT							1			
43	NSS											
44	HYL9425	HARNESS-CEILING JUNCTION TO RH CEILING LIGHTS							1			
45	HYL9426	HARNESS-REAR SWITCH PANEL TO REAR DOOR							1			
46	NSS											
	HYL9422	HARNESS-REAR WIRING HARNESS TO REAR SWITCH PANEL							1			
	BYG9002	PLUG-SOCKET (PART OF ITEM 29)							1			

CHANGE POINT

ARN INTRODUCTION

GROUP WND/2



**REAR WIRING HARNESSES AND FITTINGS – MODULE
– GMV**

PERENTIE LAND ROVER PARTS LIST

WND /3/1 REAR WIRING HARNESSSES AND FITTINGS - MODULE - ERV

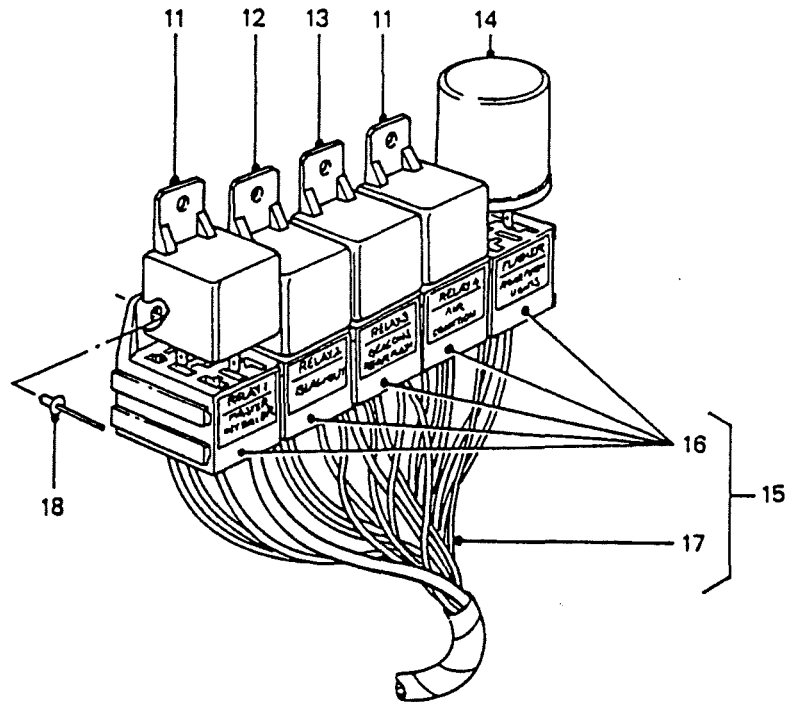
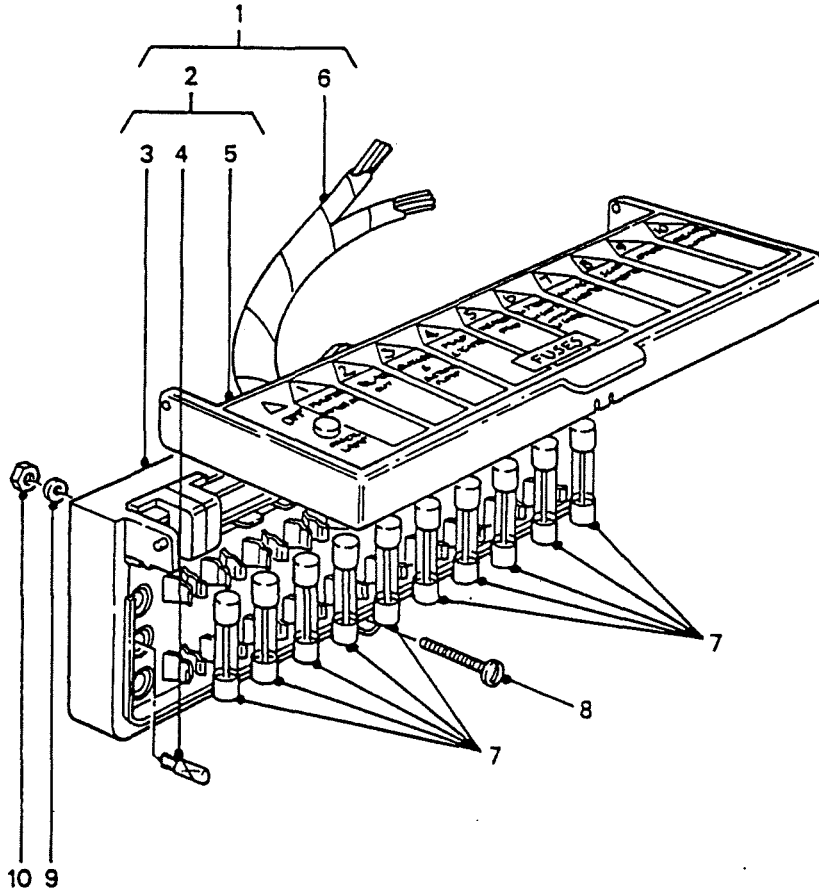
DERIVATIVE CODE

ITEM	PART NO.	DESCRIPTION	NSN	DERIVATIVE CODE								
				2185	2186	2208	2209	2210	2211	2212	2219	CP
1	AB606061L	SCREW										2
2	HYM234	CLIP-SADDLE										2
3	HYM70	RELAY-24V	5945-66-128-6111									1
3	HYM113	RELAY-12V-70A	5945-66-128-6028									7
4	HYM235	GLAND NUT										2
5	NSS											
6	NSS											
7	HYM236	SHROUD-INSULATION										3
8	HYM237	SHROUD-INSULATION										3
9	NSS											
10	HYM197	SOCKET-POWER	5935-66-128-6041									2
11	HYM201	SOCKET-POWER										1
12	HYM238	HARNESS-TRAILER PLUG TO HIGH LEVEL LIGHTS										1
13	HYM242	HOUSING-CONNECTOR										1
14	NSS											
15	NSS											
16	HYM241	HOUSING-CONNECTOR										1
17	HYM384	PLUG-TOWING	5935-66-055-1377									1
18	HYM30	HARNESS-HIGH LEVEL LIGHTS										1
19	MYH1763	CABLE TIE	5975-12-199-8964									3
20	NSS											
21	HYM244	JUNCTION-3 WAY										1

CHANGE POINT

ARN INTRODUCTION

GROUP WNE/1



**FUSES AND RELAYS – MODULE
– AMBULANCE**

PERENTIE LAND ROVER PARTS LIST

WNE /1/1 FUSES AND RELAYS - MODULE - AMBULANCE

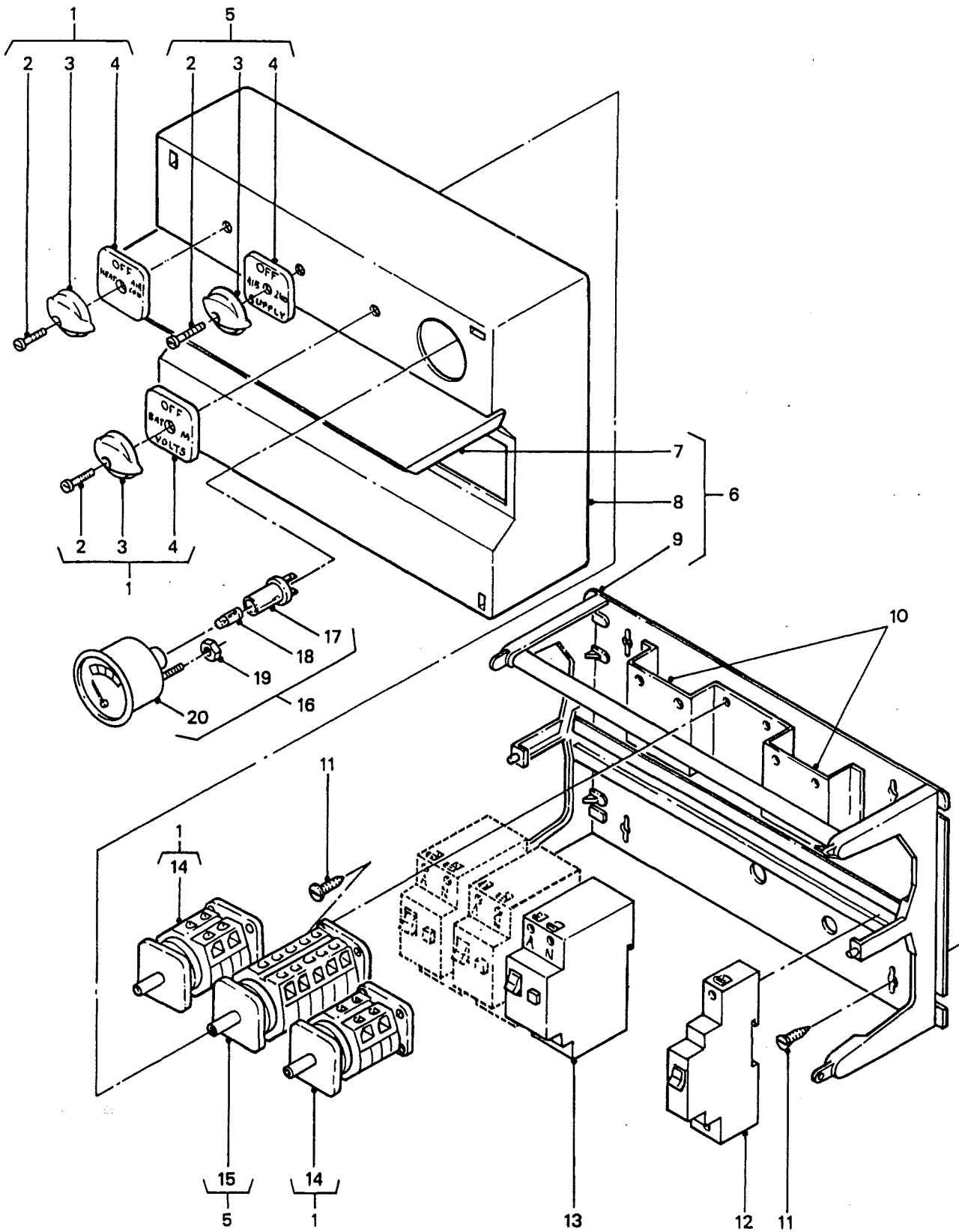
DERIVATIVE CODE

<u>ITEM</u>	<u>PART NO.</u>	<u>DESCRIPTION</u>	<u>NSN</u>	<u>2185</u>	<u>2186</u>	<u>2208</u>	<u>2209</u>	<u>2210</u>	<u>2211</u>	<u>2212</u>	<u>2219</u>	<u>CP</u>
1	HYL9471	FUSE BOX & HARNESS ASSY (INCLUDES ITEMS 2-6)										1
2	HYL9472	FUSE BOX										1
3	NSS											
4	HYL9473	GLOBE-24V, 1.2W	6240-12-173-3418									1
5	NSS											
6	NSS											
7	GFS3010	FUSE-10AMP	5920-99-835-4398									10
8	SP105204	SCREW										2
9	WL105001L	WASHER-LOCK	5310-99-977-1102									2
10	NH105041L	NUT	5310-66-098-4400									2
11	HYL9474	RELAY	5945-66-101-0218									2
12	HYL9475	RELAY	5945-66-133-0483									1
13	HYL9476	RELAY	2920-66-120-5951									1
14	HYL9477	UNIT-FLASHER	5365-66-128-5477									1
15	HYL9478	MOUNTING ASSY-RELAY & FLASHER UNIT C/W HARNESS										1
16	HYL9428	BLOCK-RELAYS										5
17	NSS											
18	RU612123	POP RIVET	5320-66-128-4684									2

CHANGE POINT

ARN INTRODUCTION

GROUP WNE/2



CIRCUIT BREAKERS, SELECTOR SWITCHES, VOLTMETER AND MOUNTINGS – GMV AND ERV

PERENTIE LAND ROVER PARTS LIST

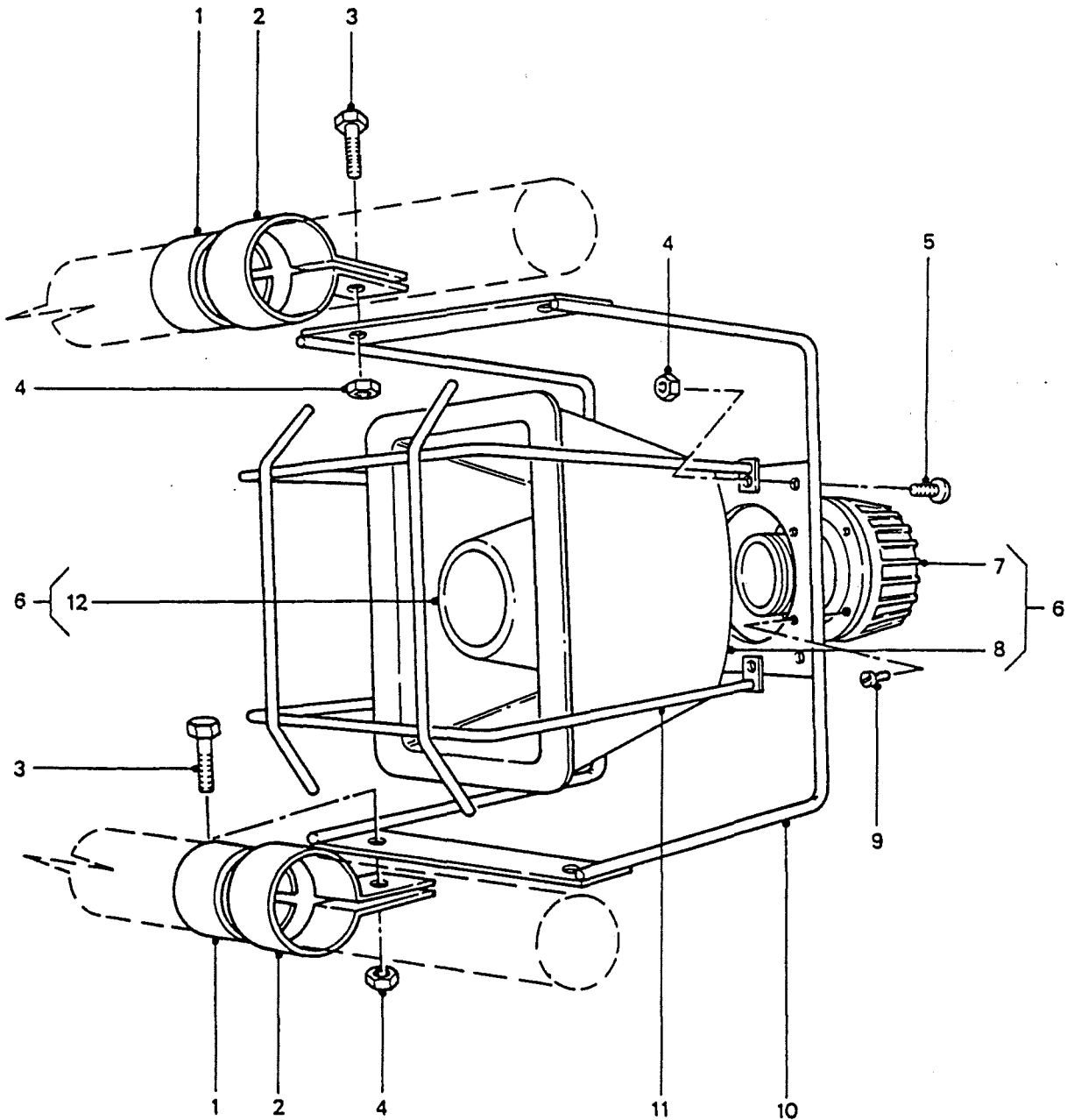
WNE /2/1 CIRCUIT BREAKERS, SELECTOR SWITCHES, VOLTMETER & MOUNTINGS

DERIVATIVE CODE

<u>ITEM</u>	<u>PART NO.</u>	<u>DESCRIPTION</u>	<u>NSN</u>	<u>2185</u>	<u>2186</u>	<u>2208</u>	<u>2209</u>	<u>2210</u>	<u>2211</u>	<u>2212</u>	<u>2219</u>	<u>CP</u>
1	HYM61	SWITCH-VOLTAGE SELECTOR	5930-66-128-6044					2	2			
2	HYM62	SCREW-KNOB						1	1			
3	HYM63	KNOB-SWITCH	5355-66-128-6045					1	1			
4	NSS											
5	HYM64	SWITCH-VOLTAGE SELECTOR	5930-66-128-6046					1	1			
6	HYM65	PLATE/MOUNTING- HOUSING & LID ASSY						1	1			
7	HYM66	LID-HOUSING						1	1			
8	NSS											
9	NSS											
10	HYM67	BRACKET-SWITCH MOUNTING						2	2			
11	HYM81	SCREW						8	8			
12	HYM68	CIRCUIT BREAKER	5925-66-128-6049					2	2			
13	HYM69	BLOCK-RELAY							1			
14	HYM70	RELAY-24V	5945-66-128-6111						1			
15	HYM71	CIRCUIT BREAKER	5925-66-128-6050					3	3			
16	NSS											
17	NSS											
18	BYG9024	GAUGE-VOLTMETER-24V						1	1			
19	HYM73	HOLDER-BULB						1	1			
20	HYL8591	BULB-24V, 3W	6240-66-023-2549					1	1			
21	NSS											
22	NSS											
	HYM232	PLATE-DIVIDER-240V FROM 24V						1	1			

CHANGE POINT

ARN INTRODUCTION

GROUP WNF/1

**AUDIBLE WARNING DEVICE AND MOUNTINGS
- AMBULANCE**

PERENTIE LAND ROVER PARTS LIST

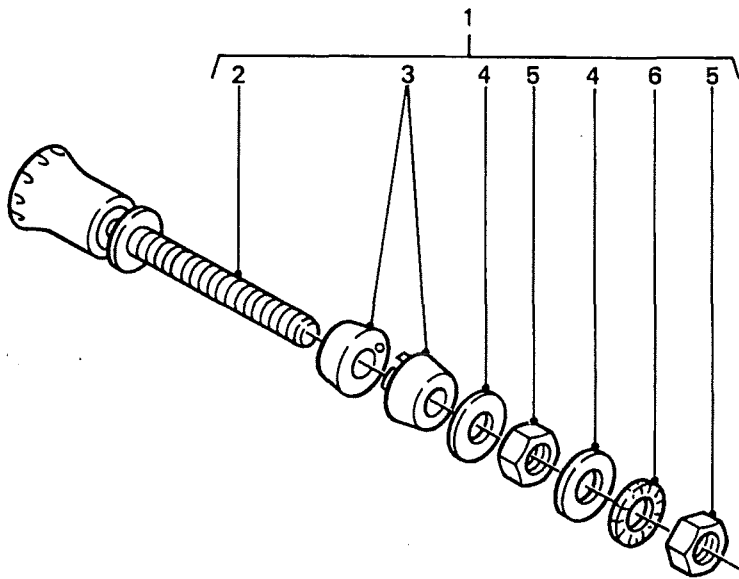
WNF /1/1 AUDIBLE WARNING DEVICE AND MOUNTINGS - AMBULANCE

DERIVATIVE CODE

ITEM	PART NO.	DESCRIPTION	NSN	DERIVATIVE CODE								
				2185	2186	2208	2209	2210	2211	2212	2219	CP
1	NSS											
2	HYL9166	CLAMP-DEVICE						2				
3	FS106161	SCREW	5305-99-122-5360					4				
4	NY106041L	NUT-NYLOC	5310-99-138-8423					8				
5	SE106121L	SCREW	5305-99-122-5289					4				
6	HYL9167	WARNING DEVICE -AUDIBLE	6350-66-128-5927					1				
7	NSS											
8	NSS											
9	SE104010	SCREW						4				
10	HYL9168	BODY-PROTECTION CAGE						1				
11	HYL9169	CAGE-PROTECTION -CENTRE						1				
12	NSS											
	MUC1242	SEAL-RUBBER- ANTI RATTLE						1				

CHANGE POINT

ARN INTRODUCTION

GROUP WNF/2

**TEST TERMINALS – 0 VOLT, 12 VOLT AND 24 VOLT
– GMV AND ERV**

PERENTIE LAND ROVER PARTS LIST

WNF /2/1 TEST TERMINALS - 0 VOLT, 12 VOLT AND 24 VOLT - GMV AND ERV

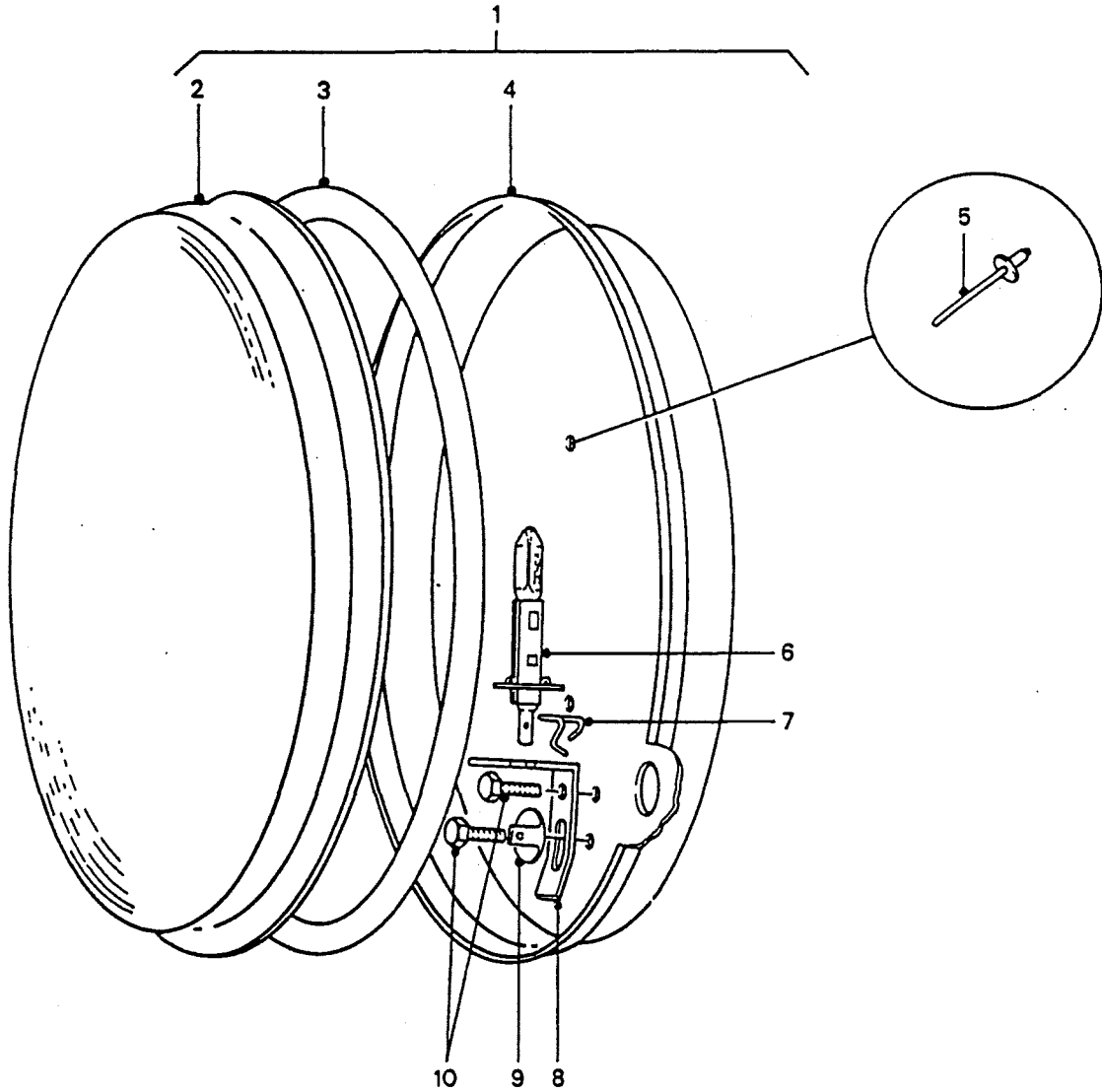
DERIVATIVE CODE

<u>ITEM</u>	<u>ART NO.</u>	<u>DESCRIPTION</u>	<u>NSN</u>	<u>2185</u>	<u>2186</u>	<u>2208</u>	<u>2209</u>	<u>2210</u>	<u>2211</u>	<u>2212</u>	<u>2219</u>	<u>CP</u>
1	HYM14	TERMINAL-TEST-BLACK						3	3			
	HYM15	TERMINAL-TEST-RED						3	3			
	HYM16	TERMINAL-TEST-BLUE						3	3			
	HYM32	TERMINAL-TEST-EARTH -GREEN & YELLOW						3	3			
2	NSS											
3	NSS											
4	WA108051L	WASHER-PLAIN	5310-99-122-6475					2	2			
5	FN108041	NUT	5310-99-499-8033					2	2			
6	WE108001L	WASHER-LOCK	5310-66-128-4577					1	1			

CHANGE POINT

ARN INTRODUCTION

GROUP WNG/1



**SCAN LIGHT ASSEMBLY
- AMBULANCE**

PERENTIE LAND ROVER PARTS LIST

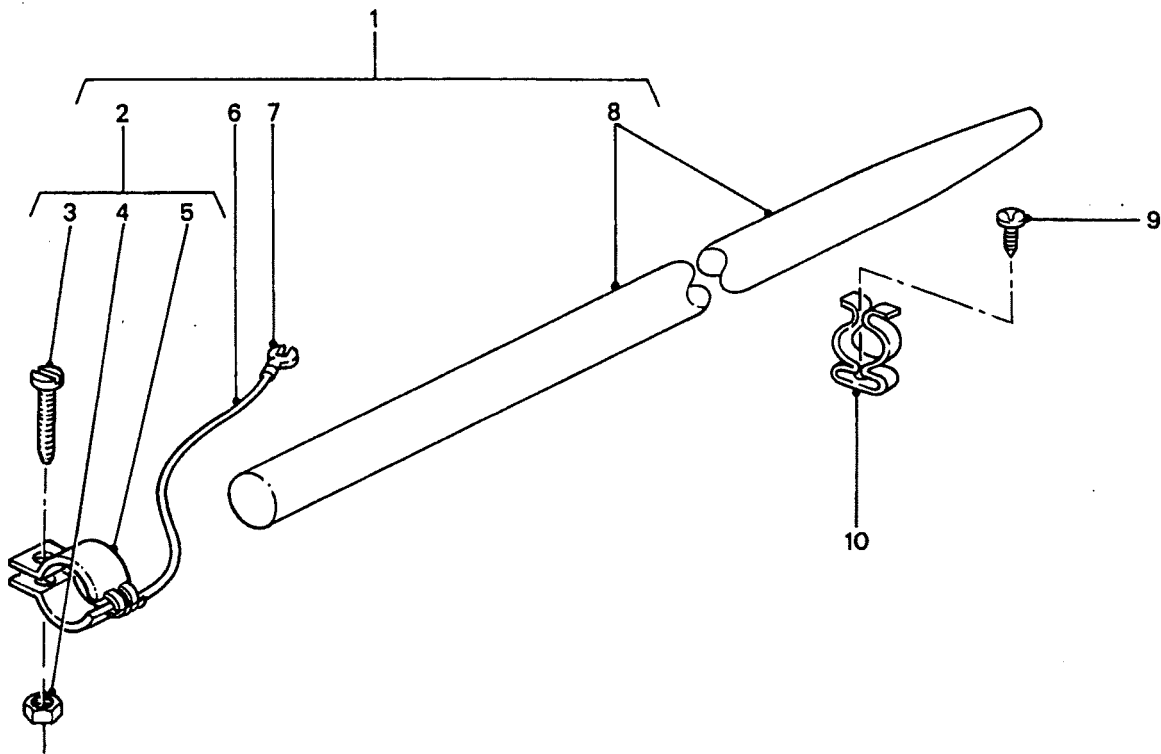
WNG /1/1 SCAN LIGHT ASSEMBLY - AMBULANCE

<u>ITE</u>	<u>PART NO.</u>	<u>DESCRIPTION</u>	<u>NSN</u>	<u>DERIVATIVE CODE</u>								
				<u>2185</u>	<u>2186</u>	<u>2208</u>	<u>2209</u>	<u>2210</u>	<u>2211</u>	<u>2212</u>	<u>2219</u>	<u>CP</u>
1	HYL9071	LAMP-SCAN				2						
2	HYL9072	LENS-SCANLAMP				1						
3	HYL9073	SEAL-LENS				1						
4	NSS											
5	RU612123	POP RIVET	5320-66-128-4684			4						
6	HYL9165	BULB-24V	6240-66-034-1344			1						
7	HYL9074	CLIP-BULB				1						
8	NSS											
9	NSS											
10	NSS											

CHANGE POINT

ARN INTRODUCTION

GROUP WNG/2



**EARTH SPIKE ASSEMBLY
- GMV AND ERV**

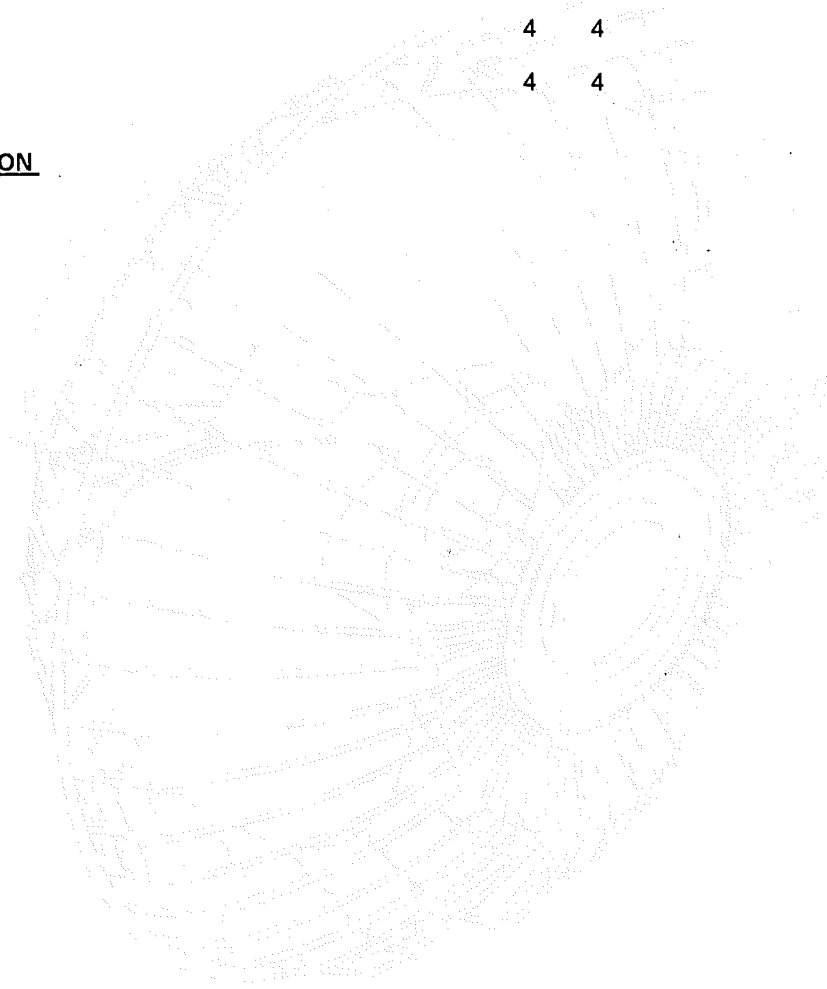
PERENTIE LAND ROVER PARTS LIST

WNG /2/1 EARTH SPIKE ASSEMBLY - GMV AND ERV

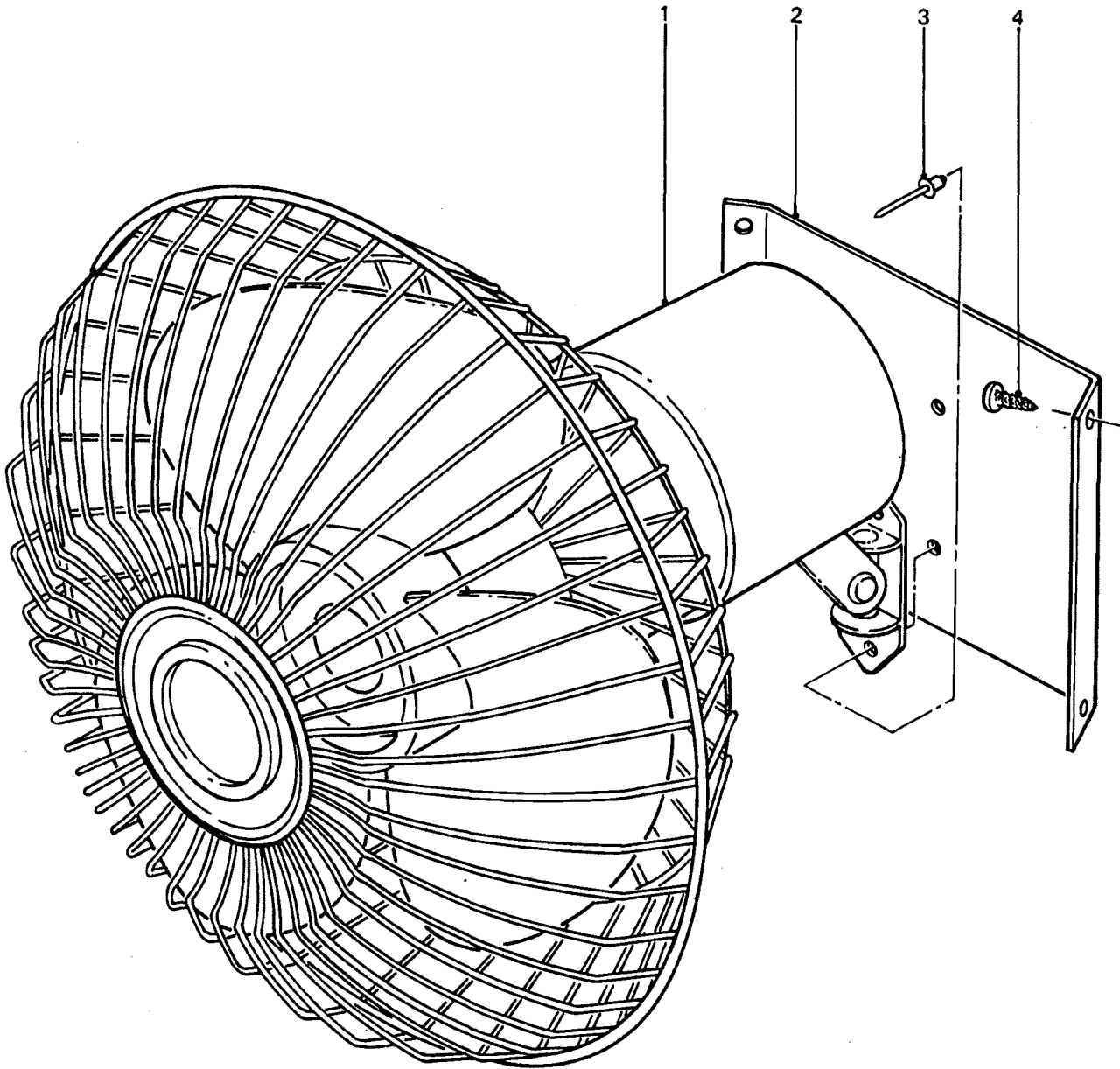
ITEM	PART NO.	DESCRIPTION	NSN	DERIVATIVE CODE								
				2185	2186	2208	2209	2210	2211	2212	2219	CP
1	HYM146	SPIKE-EARTH	5975-00-838-0443					1	1			
2	HYM147	CLAMP ASSY-EARTH SPIKE	5975-66-054-1960					1	1			
3	SE105201L	SCREW	5305-66-128-4766					1	1			
4	NY105041L	NUT-NYLOC	5310-99-122-5494					1	1			
5	NSS											
6	NSS											
7	HYM148	TERMINAL-EARTH CABLE						1	1			
8	NSS											
9	AB106181	SCREW						4	4			
10	HYM149	CLIP						4	4			

CHANGE POINT

ARN INTRODUCTION



GROUP WNH



**OSCILLATING FAN AND MOUNTING
- GMV**

PERENTIE LAND ROVER PARTS LIST

WNH /1/1 OSCILLATING FAN AND MOUNTING - GMV

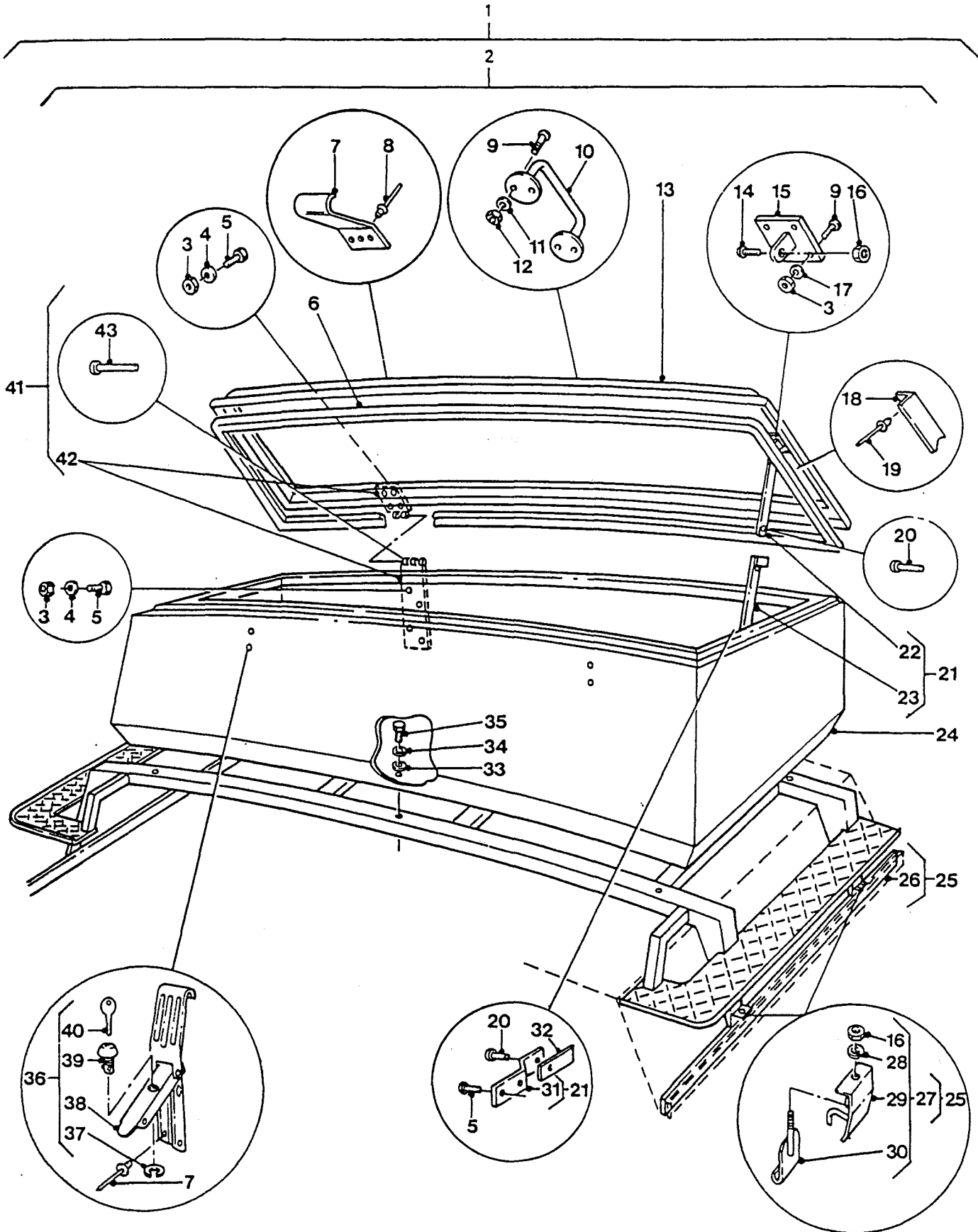
DERIVATIVE CODE

<u>ITE.</u>	<u>PART NO.</u>	<u>DESCRIPTION</u>	<u>NSN</u>	<u>DERIVATIVE CODE</u>								
				<u>2185</u>	<u>2186</u>	<u>2208</u>	<u>2209</u>	<u>2210</u>	<u>2211</u>	<u>2212</u>	<u>2219</u>	<u>CP</u>
1	HYM385	FAN ASSY										1
2	HYM386	BRACKET-MOUNTING										1
3	HYL9945	POP RIVET										2
4	AB608047	SCREW										4

CHANGE POINT

ARN INTRODUCTION

GROUP WP



POD ASSEMBLY AND MOUNTING RACK - AMBULANCE

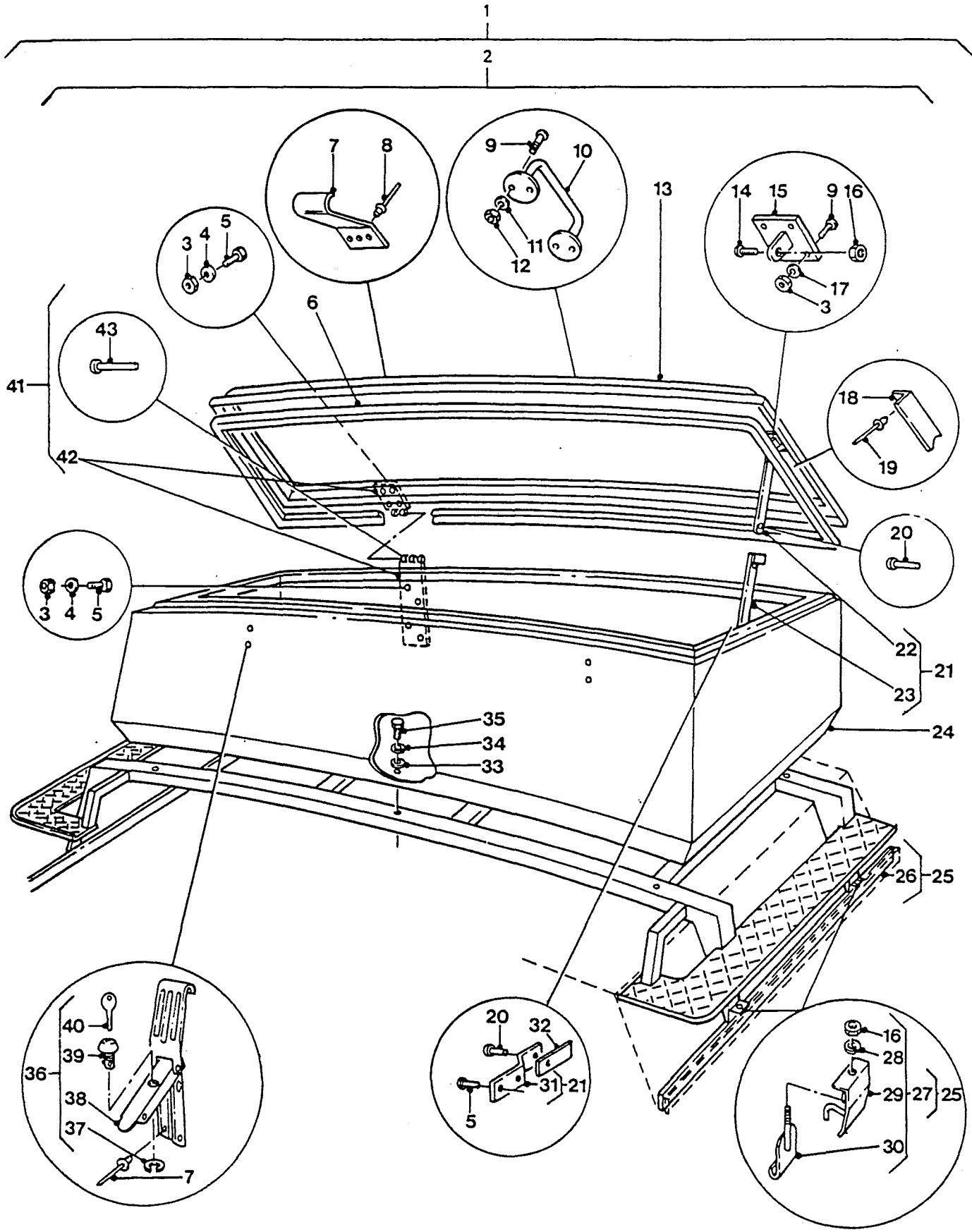
PERENTIE LAND ROVER PARTS LIST

WP /1/1 **POD ASSEMBLY AND MOUNTING RACK - AMBULANCE**

DERIVATIVE CODE

ITEM	PART NO.	DESCRIPTION	NSN	DERIVATIVE CODE										
				2185	2186	2208	2209	2210	2211	2212	2219	CP		
1	HYL9141	POD ASSY (INCLUDES ITEMS 2-41)				1								
2	HYL9142	LID ASSY-POD (INCLUDES ITEMS 3-21,41)				1								
3	NH106041L	NUT	5310-66-098-4401			20								
4	WL106041	WASHER-LOCK				16								
5	FS106161	SCREW	5305-99-122-5360			18								
6	HYL9143	SEAL-LID				1								
7	HYL9144	CATCH-LID				2								
8	HYL9114	POP RIVET				10								
9	FE106251L	SCREW	5305-99-135-0442			8								
10	HYL9145	HANDLE-LID				2								
11	WA106001L	WASHER-PLAIN				4								
12	NY106041L	NUT-NYLOC	5310-99-138-8423			4								
13	NSS					1								
14	FS108251	SCREW	5305-99-122-5367			1								
15	HYL9146	BRACKET-STAY				1								
16	FN108041	NUT	5310-99-499-8033			5								
17	WL106001L	WASHER-LOCK	5310-99-137-9232			4								
18	HYL9148	ANGLE-SEAL MOUNTING-1340MM LONG				2								
	HYL9147	ANGLE-SEAL MOUNTING-700MM LONG				2								
19	RU608123L	POP RIVET	5320-66-128-4634			48								
20	NSS					2								
21	HYL9149	ARM-LOCKING				1								
22	NSS													
23	NSS													
24	NSS													
25	HYL9150	CLAMP ASSY-FRAME-MOUNTING				4								

GROUP WP



POD ASSEMBLY AND MOUNTING RACK - AMBULANCE

PERENTIE LAND ROVER PARTS LIST

WP 1/1/1 **POD ASSEMBLY AND MOUNTING RACK - AMBULANCE**

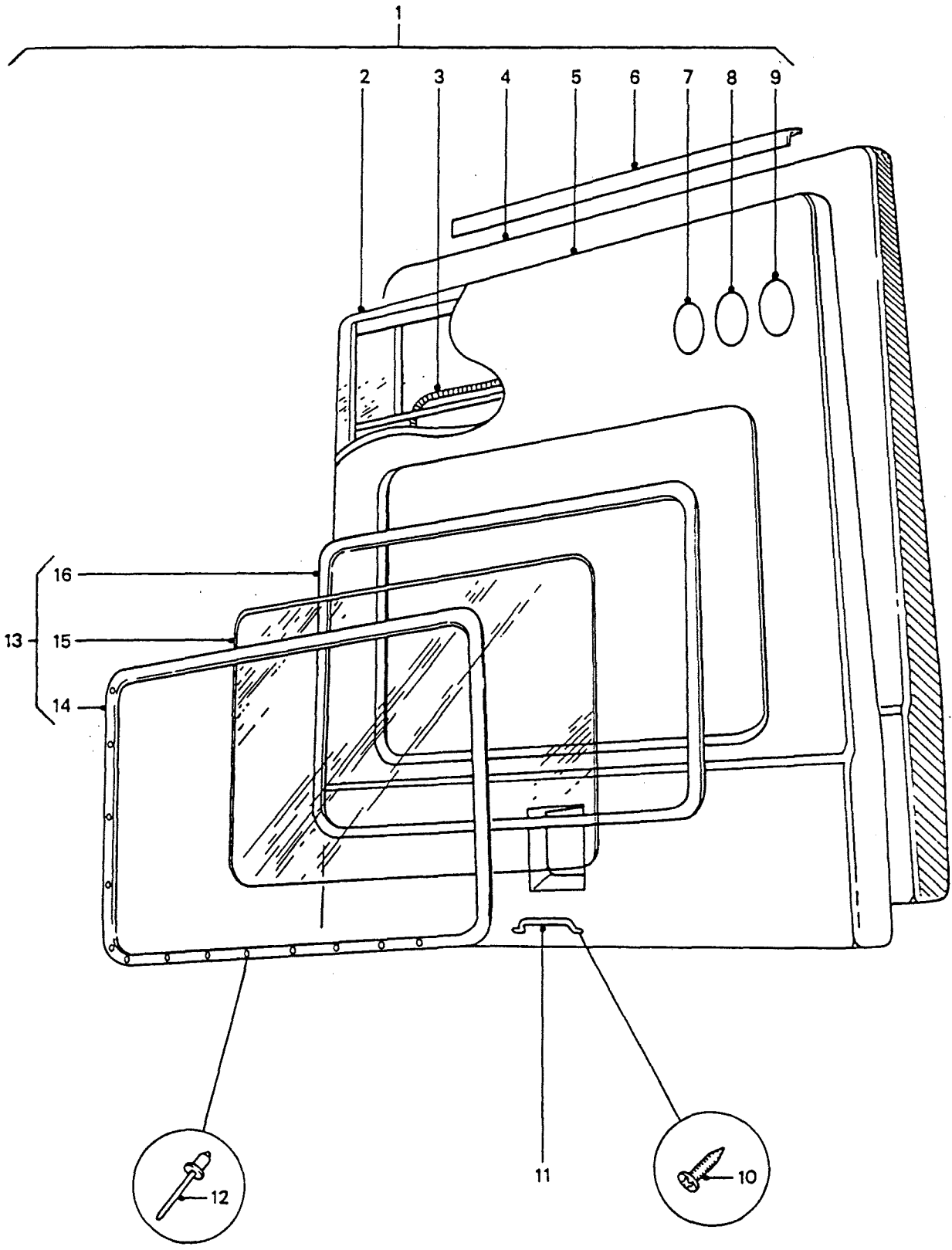
DERIVATIVE CODE

ITEM	PART NO.	DESCRIPTION	NSN	DERIVATIVE CODE									
				2185	2186	2208	2209	2210	2211	2212	2219	CP	
26	NSS												
27	HYL9151	CLAMP ASSY (INCLUDES ITEMS 16, 28-30)							4				
28	WL108001L	WASHER-LOCK	5310-99-138-9227						4				
29	NSS												
30	NSS												
31	NSS												
32	NSS								1				
33	WA110001L	WASHER-PLAIN							6				
34	WL110001L	WASHER-LOCK	5310-99-138-9228						6				
35	BH110201L	BOLT	5305-99-122-4909						6				
36	HYL9152	LATCH-LID (INCLUDES ITEMS 37-40)	2540-66-128-5918						2				
37	NSS												
38	NSS												
39	NSS												
40	NSS												
41	HYL9153	HINGE-POD							2				
42	NSS												
43	HYL9155	RIVET							2				

CHANGE POINT

ARN INTRODUCTION

GROUP WQ/1 SHEET 1



REAR DOOR ASSEMBLY - AMBULANCE

PERENTIE LAND ROVER PARTS LIST

WQ 1/1 REAR DOOR ASSEMBLY - AMBULANCE

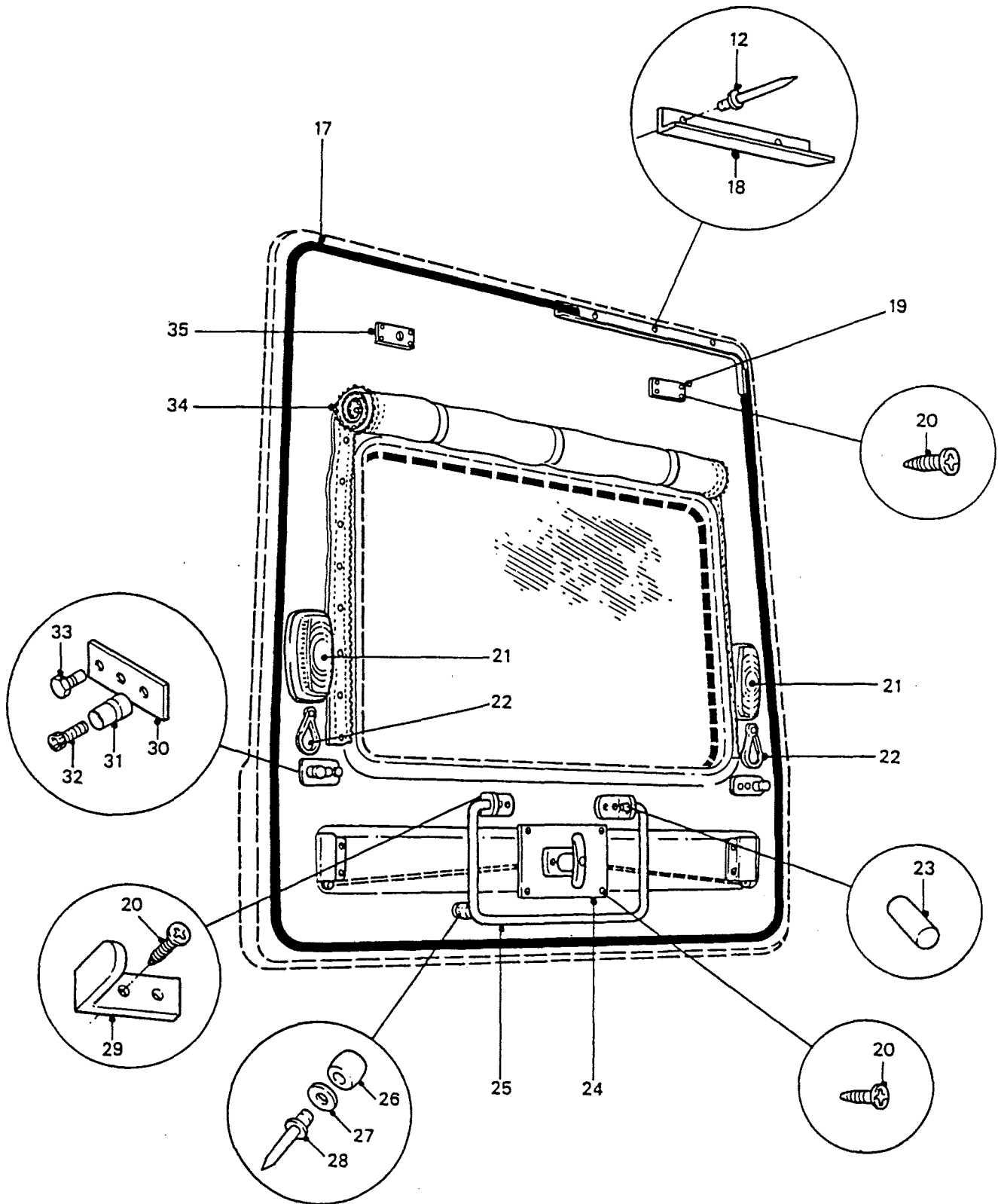
DERIVATIVE CODE

ITEM	PART NO.	DESCRIPTION	NSN	DERIVATIVE CODE																
				<u>2185</u>	<u>2186</u>	<u>2208</u>	<u>2209</u>	<u>2210</u>	<u>2211</u>	<u>2212</u>	<u>2219</u>	<u>CP</u>								
1	HYL9282	DOOR ASSY-REAR-COMPLETE				1														
2	NSS																			
3	NSS																			
4	NSS																			
5	NSS																			
6	NSS																			
7	HYL9075	LAMP-REVERSE	6220-66-128-5901			2														
8	HYL9076	LAMP-STOP/TAIL/FLASHER	6220-66-128-5899			2														
9	HYL9077	LAMP-FLASHER	6220-66-035-3323			2														
10	SF106251	SCREW	5305-66-128-5452			2														
11	HYL9283	HANDLE-GRAB-EXTERIOR				1														
12	RU608123L	POP RIVET	5320-66-128-4634			26														
13	HYL9284	WINDOW ASSY-COMPLETE (INCLUDES ITEMS 14-16)				1														
14	NSS																			
15	NSS																			
16	HYM467	RUBBER-GLAZING				1														
17	HYL9287	ANGLE-SEAL SUPPORT -LH				1														
	RU612163	POP RIVET				26	26													

CHANGE POINT

ARN INTRODUCTION

GROUP WQ/1 SHEET 2



**REAR DOOR ASSEMBLY
- AMBULANCE - CONTINUED**

PERENTIE LAND ROVER PARTS LIST

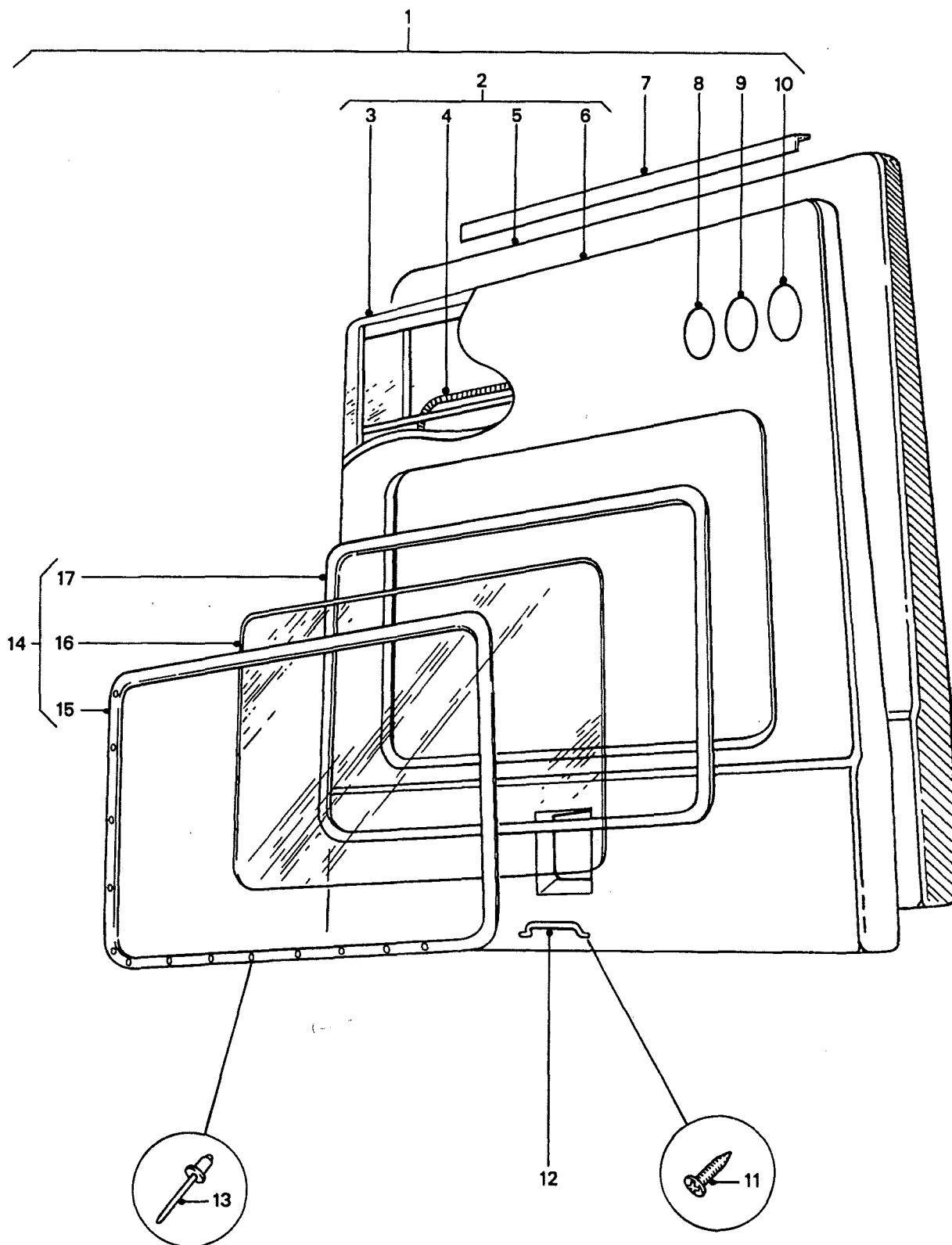
WQ 1/1/2 REAR DOOR ASSEMBLY - AMBULANCE - CONTINUED

ITEM	PART NO.	DESCRIPTION	NSN	DERIVATIVE CODE								
				2185	2186	2208	2209	2210	2211	2212	2219	CP
12	RU608123L	POP RIVET	5320-66-128-4634			42						
17	HYL9285	SEAL-DOOR				1						
18	HYL9286	ANGLE-SEAL SUPPORT -RH				1						
19	HYL9288	PLATE-COVER-LH				1						
20	AB606051L	SCREW	5305-66-016-0723			22						
21	HYL9068	LAMP-LOADING	6220-66-026-7098			2						
22	HYL9104	HOOK ASSY				2						
23	PA106201	ROLL PIN	5315-99-120-8129			2						
24	HYL9290	PLATE-MOUNTING-LOCK				1						
25	HYL9291	HANDLE-PULL-INTERIOR				1						
26	HYL9292	RUBBER-BUMP STOP				2						
27	WA105001L	WASHER-PLAIN	5310-99-122-3032			2						
28	RU612123	POP RIVET	5320-66-128-4684			2						
29	HYL9293	BRACKET-HANDLE MOUNTING				2						
30	HYL9294	PLATE-LOCATION PLUG MOUNTING				2						
31	HYL9295	PLUG-REAR DOOR				2						
32	SS106101	SCREW				2						
33	FS106161	SCREW	5305-99-122-5360			4						
34	HYL9220	CURTAIN ASSY-BLACKOUT-REAR	2540-66-128-5880			1						
35	HYL9296	PLATE-INSPECTION				1						

CHANGE POINT

ARN INTRODUCTION

GROUP WQ/2 SHEET 1



**REAR DOOR ASSEMBLY
- GMV**

PERENTIE LAND ROVER PARTS LIST

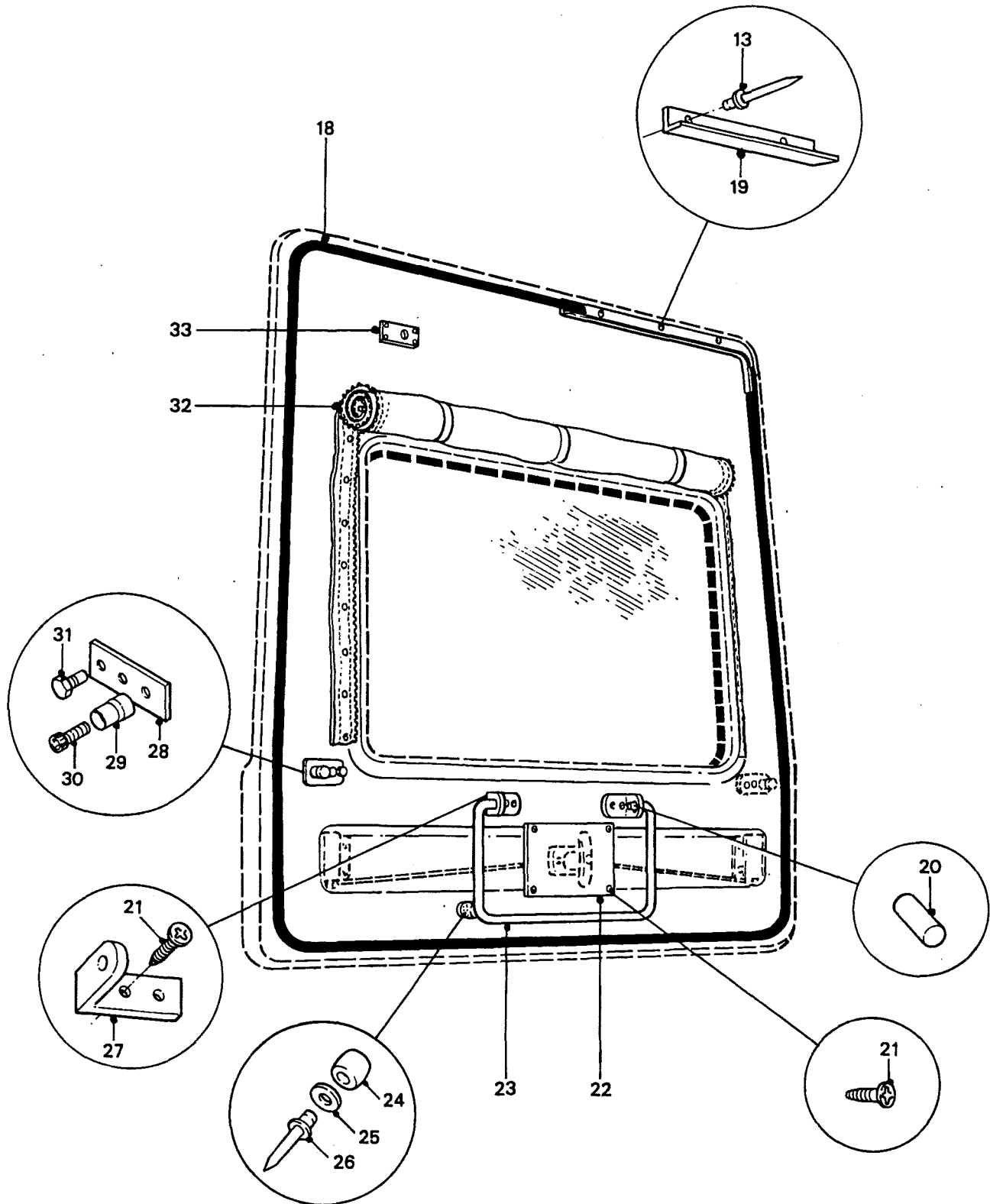
WQ 12/1 REAR DOOR ASSEMBLY - GMV

DERIVATIVE CODE

ITEM	PART NO.	DESCRIPTION	NSN	DERIVATIVE CODE																
				<u>2185</u>	<u>2186</u>	<u>2208</u>	<u>2209</u>	<u>2210</u>	<u>2211</u>	<u>2212</u>	<u>2219</u>	<u>CP</u>								
1	HYM398	DOOR ASSY-REAR-COMPLETE (INCLUDES ITEMS 2-33)																		1
2	NSS																			
3	NSS																			
4	NSS																			
5	NSS																			
6	NSS																			
7	NSS																			
8	HYL9075	LAMP-REVERSE	6220-66-128-5901																	2
9	HYL9076	LAMP-STOP/TAIL/FLASHER	6220-66-128-5899																	2
10	HYL9077	LAMP-FLASHER	6220-66-035-3323																	2
11	SF106251	SCREW	5305-66-128-5452																	2
12	HYL9283	HANDLE-GRAB-EXTERIOR																		1
13	RU608123L	POP RIVET	5320-66-128-4634																	26
14	HYL9284	WINDOW ASSY-COMPLETE (INCLUDES ITEMS 15-17)																		1
15	NSS																			
16	NSS																			
17	HYM467	RUBBER-GLAZING																		1
	RU612163	POP RIVET-REAR DOOR																		26

CHANGE POINT

ARN INTRODUCTION

GROUP WQ/2 SHEET 2

**REAR DOOR ASSEMBLY
- GMV - CONTINUED**

PERENTIE LAND ROVER PARTS LIST

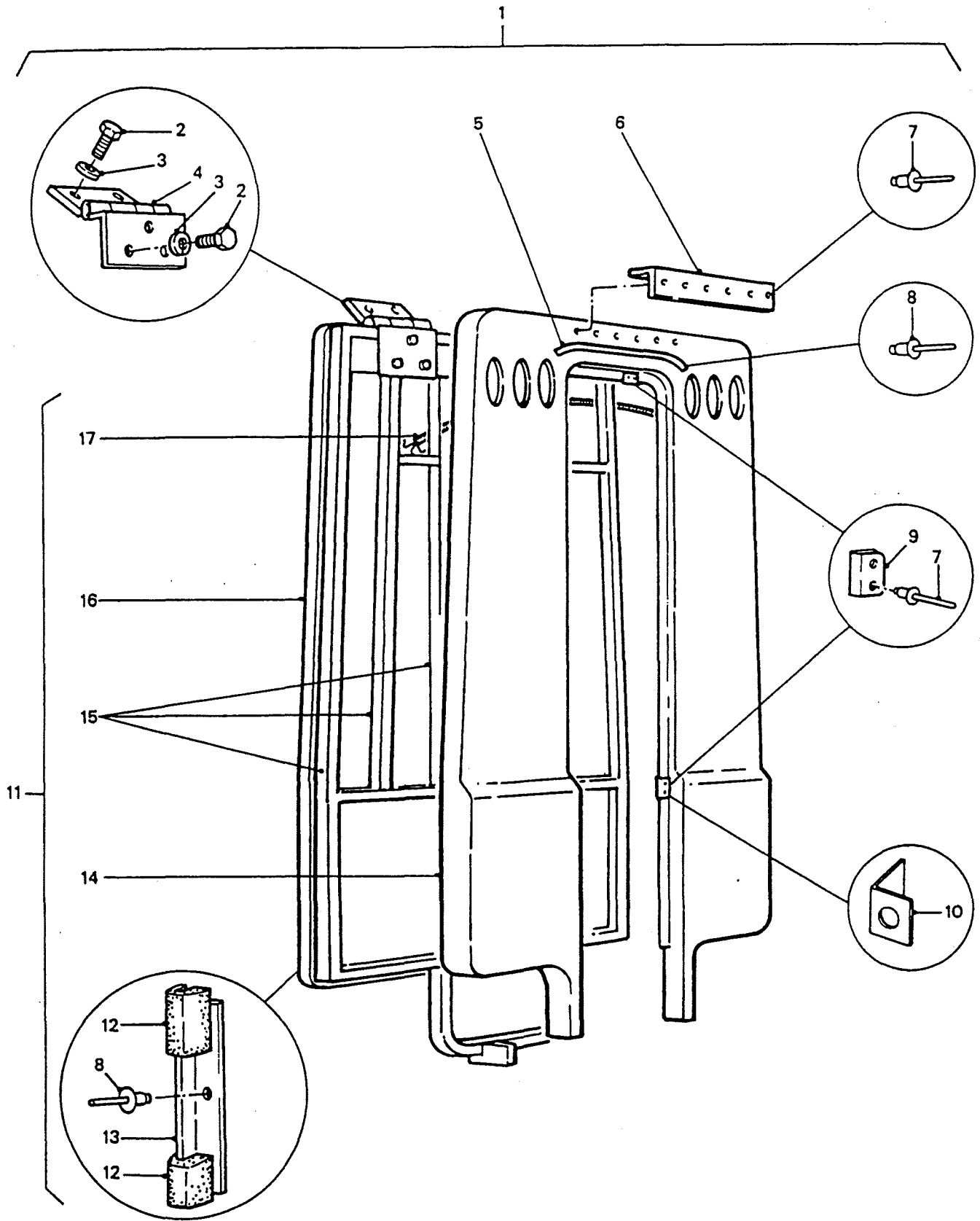
WQ 12/2 REAR DOOR ASSEMBLY - GMV - CONTINUED

ITEM	PART NO.	DESCRIPTION	NSN	DERIVATIVE CODE								
				2185	2186	2208	2209	2210	2211	2212	2219	CP
13	RU608123L	POP RIVET	5320-66-128-4634									42
18	HYL9285	SEAL-DOOR										1
19	HYL9286	ANGLE-SEAL SUPPORT -RH										1
	HYL9287	ANGLE-SEAL SUPPORT -LH										1
20	PA106201	ROLL PIN	5315-99-120-8129									2
21	AB606051L	SCREW	5305-66-016-0723									18
22	HYL9290	PLATE-MOUNTING- INTERNAL HANDLE										1
23	HYL9291	HANDLE-PULL-INTERIOR										1
24	HYL9292	RUBBER-BUMP STOP										2
25	WA105001L	WASHER-PLAIN	5310-99-122-3032									2
26	RU612123	POP RIVET	5320-66-128-4684									2
27	HYL9293	BRACKET-HANDLE MOUNTING										2
28	HYL9294	PLATE-LOCATION PLUG MOUNTING										2
29	HYL9295	PLUG-REAR DOOR										2
30	SSIO6121	SCREW										2
31	FS106161	SCREW	5305-99-122-5360									4
32	HYL9220	CURTAIN ASSY-BLACKOUT	2540-66-128-5880									1
33	HYL9296	PLATE-INSPECTION										1

CHANGE POINT

ARN INTRODUCTION

GROUP WQ/3



**REAR DOOR ASSEMBLY
- ERV**

PERENTIE LAND ROVER PARTS LIST

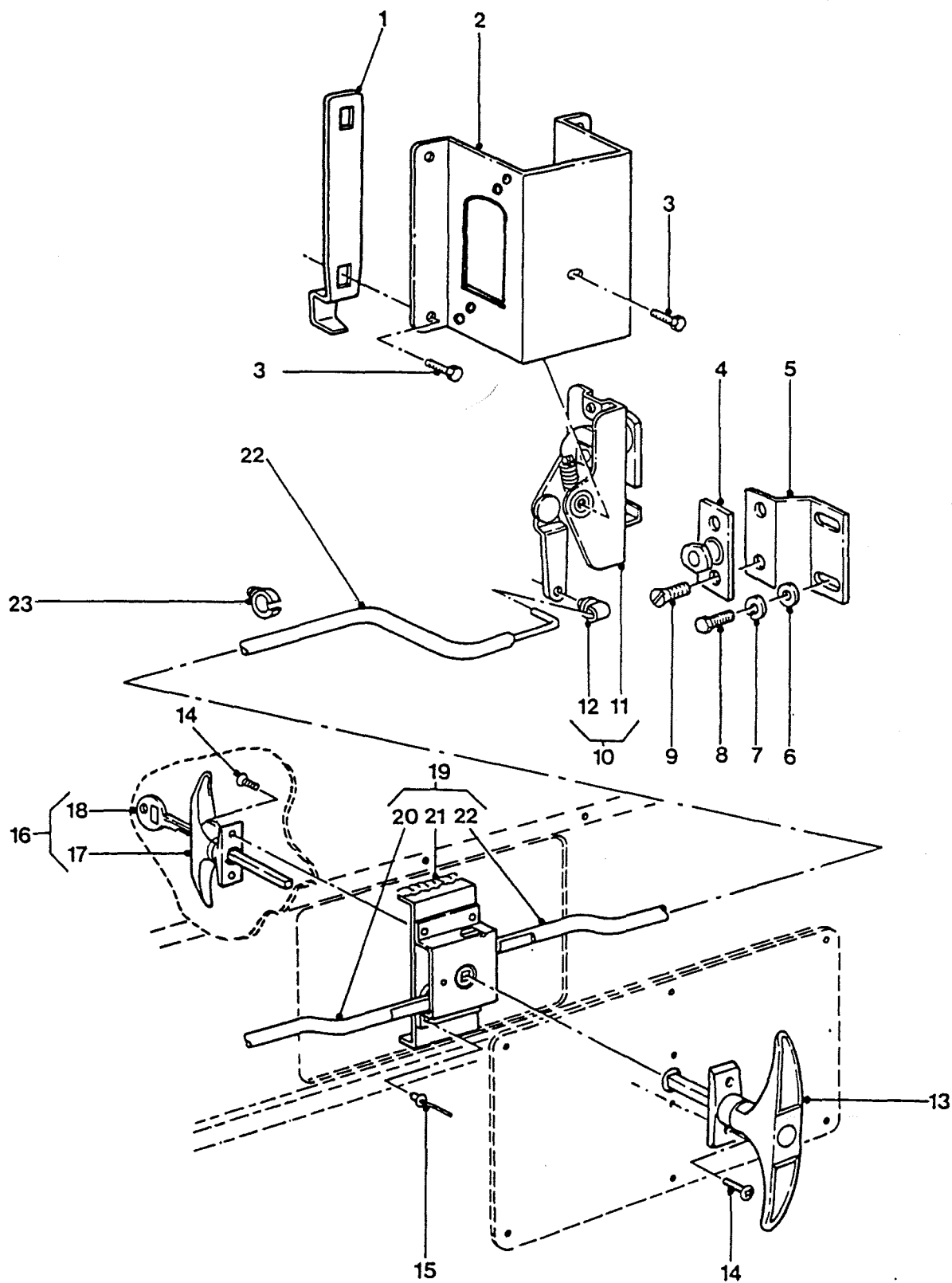
WQ /3/1 REAR DOOR ASSEMBLY - ERV

DERIVATIVE CODE

ITEM	PART NO.	DESCRIPTION	NSN	DERIVATIVE CODE							
				2185	2186	2208	2209	2210	2211	2212	2219
1	HYM23	DOOR ASSY-REAR-COMPLETE (INCLUDES ITEMS 2-11)								1	
2	SH210301	SCREW	5305-66-128-5289							12	
3	WM110001L	WASHER-LOCK	5310-99-135-4103							12	
4	HYL9323	HINGE-DOOR								2	
5	HYM24	MOULD-GUTTER								1	
6	NSS										
7	HYL9945	POP RIVET								34	
8	HYL9927	POP RIVET								31	
9	HYM25	PLATE-STRIKER								2	
10	HYM26	PLATE-BACKING-50MM X 25MM X 20MM								2	
	HYM150	PLATE-BACKING-50MM X 25MM X 20MM								2	
11	NSS										
12	HYM27	SEAL-DOOR-INTERIOR								1	
13	HYM28	SUPPORT-SEAL-REAR DOOR-LH								1	
	HYM29	SUPPORT-SEAL-REAR DOOR-RH								1	
14	SS										
15	NSS										
16	NSS										
17	HYM30	HARNESS-TAIL LIGHTS -HIGH LEVEL								1	

CHANGE POINT

ARN INTRODUCTION

GROUP WQA/1

**REAR DOOR LOCKS
- AMBULANCE AND GMV**

PERENTIE LAND ROVER PARTS LIST

WQA /1/1 REAR DOOR LOCKS - AMBULANCE AND GMV

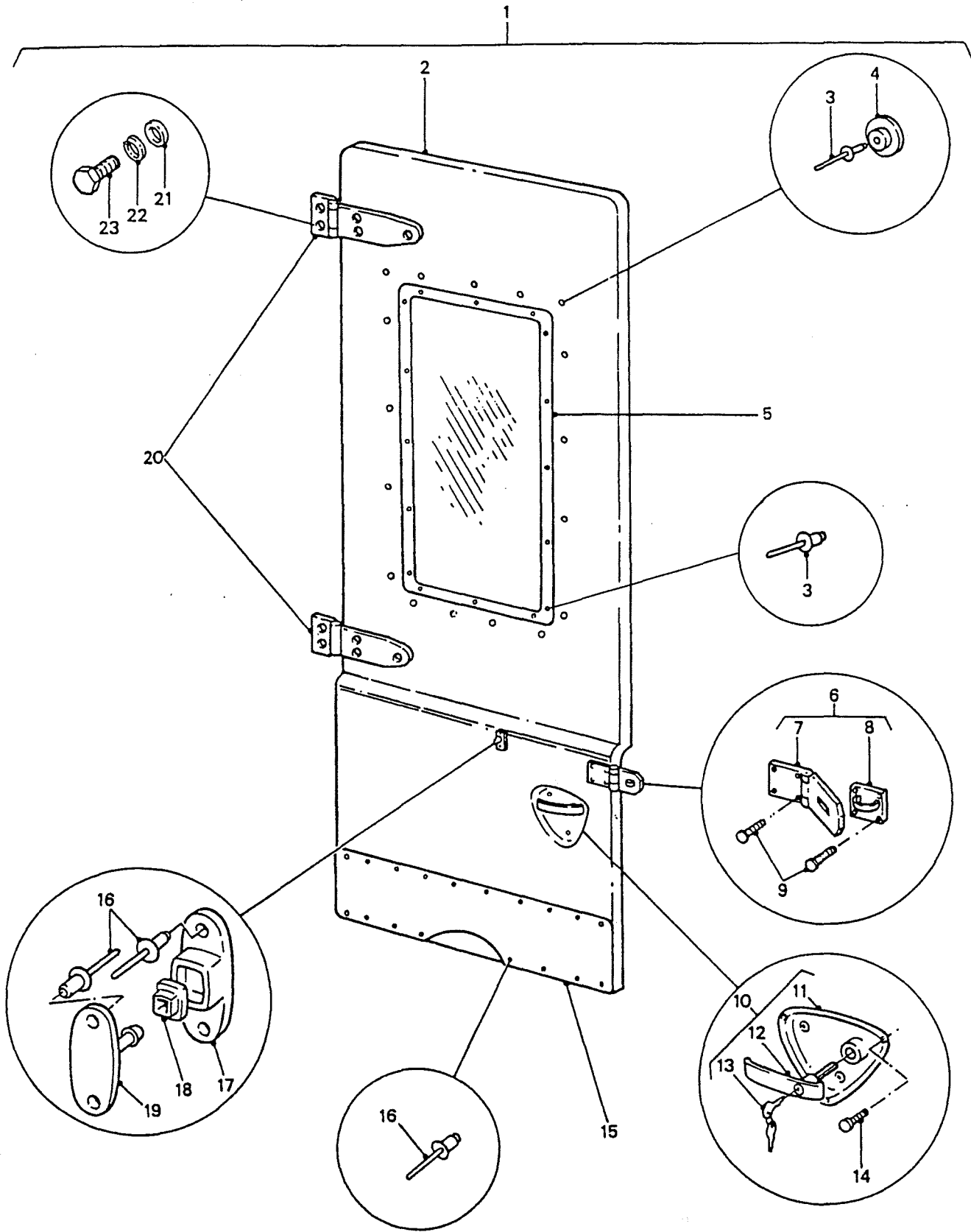
ITE	PART NO.	DESCRIPTION	NSN	DERIVATIVE CODE									
				2185	2186	2208	2209	2210	2211	2212	2219	CP	
1	HYM468	BRACKET-SUPPORT				2		2					
2	HYL9131	PLATE-DOOR CATCH COVER-LH				1		1					
2	HYL9132	PLATE-DOOR CATCH COVER-RH				1		1					
3	SH106151L	SCREW				10		10					
4	HYL9133	PLATE-STRIKER				2		2					
5	HYL9134	BRACKET-STRIKER PLATE				2		2					
6	WA108051L	WASHER-PLAIN	5310-99-122-6475			4		4					
7	WL108001L	WASHER-LOCK	5310-99-138-9227			4		4					
8	FS108301	SCREW	5305-99-122-5368			4		4					
9	SF106101	SCREW				4		4					
10	HYL9135	CATCH ASSY-LH				1		1					
10	HYL9136	CATCH ASSY-RH				1		1					
11	NSS												
12	NSS												
13	HYL9137	HANDLE-INTERIOR				2		2					
14	AB606251	SCREW				4		4					
15	RU608123L	POP RIVET	5320-66-128-4634			4		4					
16	HYL9138	HANDLE & KEY ASSY-EXTERIOR (INCLUDES ITEMS 17-18)	2540-66-128-5926			1		1					
17	NSS												
18	NSS												
19	HYL9139	LOCK ASSY-REAR DOOR (INCLUDES ITEMS 20-22)				1		1					
20	NSS												
21	NSS												
22	NSS												
23	HYL9855	CLIP-DOOR				2		2					

CHANGE POINT

ARN INTRODUCTION

Nov 1995

GROUP WQA/2 SHEET 1



**REAR ACCESS DOOR ASSEMBLY
- ERV**

PERENTIE LAND ROVER PARTS LIST

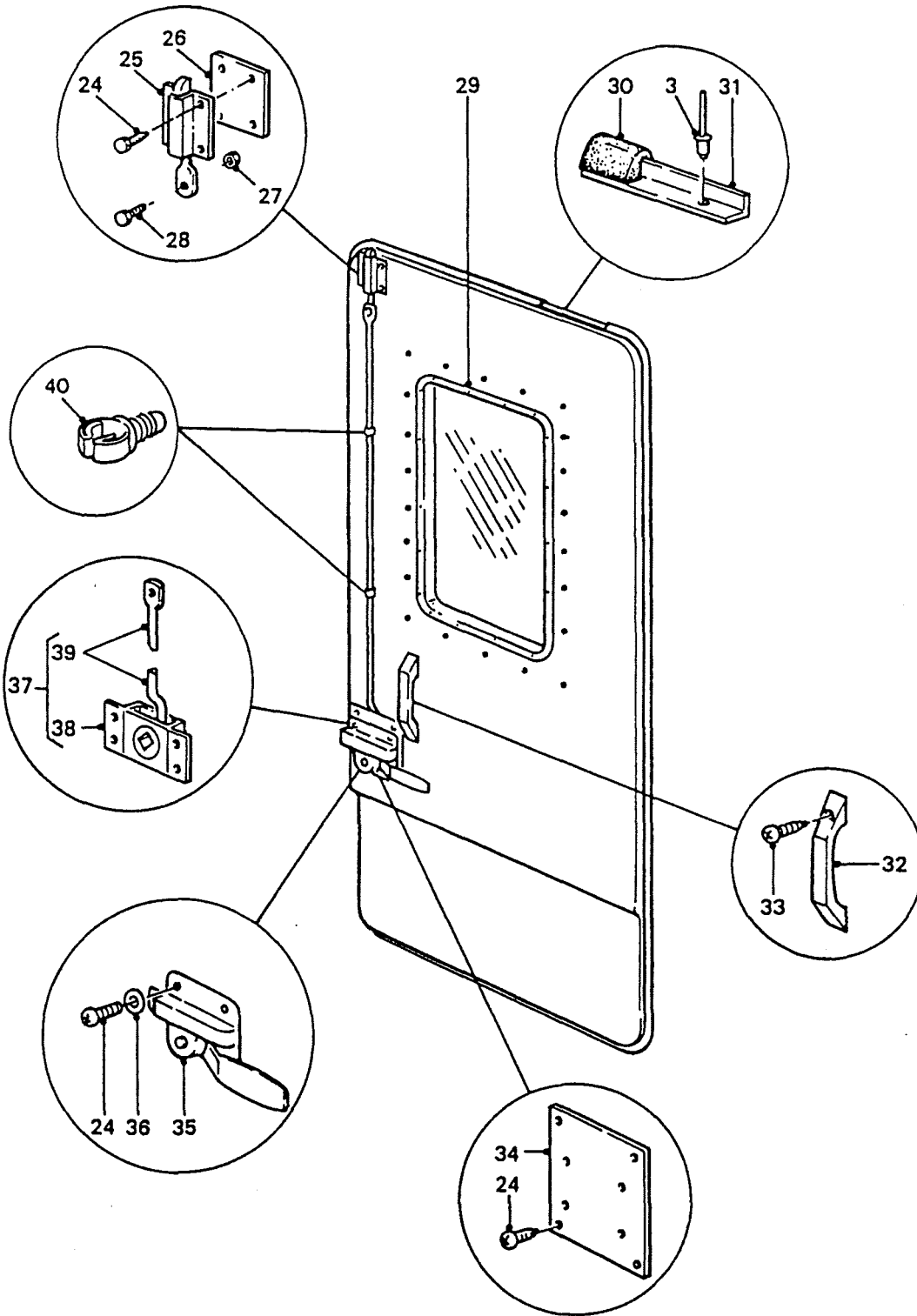
WQA /2/1 REAR ACCESS DOOR ASSEMBLY - ERV

ITEM	PART NO.	DESCRIPTION	NSN	DERIVATIVE CODE															
				<u>2185</u>	<u>2186</u>	<u>2208</u>	<u>2209</u>	<u>2210</u>	<u>2211</u>	<u>2212</u>	<u>2219</u>	<u>CP</u>							
1	HYM33	DOOR ASSY-REAR -ACCESS (INCLUDES ITEMS 2 - 5, 15, 16, 30 - 32)								1									
2	NSS																		
3	HYL9927	POP RIVET									17								
4	HYL9221	STUD-MALE									52								
5	HYL9982	WINDOW ASSY									1								
6	HYM34	HASP/STAPLE									1								
7	NSS																		
8	NSS																		
9	SF106261	SCREW									8								
10	HYM35	HANDLE/PLATE ASSY (INCLUDES ITEMS 11-13)	2540-66-128-6067								1								
11	NSS																		
12	NSS																		
13	NSS																		
14	SF104201	SCREW									3								
15	HYM36	PLATE-PROTECTION									1								
16	HYL9945	POP RIVET									15								
17	HYM37	HOLDER ASSY -RECEPTACLE									1								
18	HYM38	RECEPTACLE-PLUNGER -RUBBER									1								
19	HYM39	PLUNGER									1								
20	HYM40	HINGE									2								
21	FS110301	SCREW	5305-66-098-4283								10								
22	WM110001L	WASHER-LOCK	5310-99-135-4103								10								
23	WA110001L	WASHER-PLAIN									10								

CHANGE POINT

ARN INTRODUCTION

GROUP WQA/2 SHEET 2



**REAR ACCESS DOOR ASSEMBLY
- ERV - CONTINUED**

PERENTIE LAND ROVER PARTS LIST

WQA /2/2 REAR ACCESS DOOR ASSEMBLY - ERV - CONTINUED

DERIVATIVE CODE

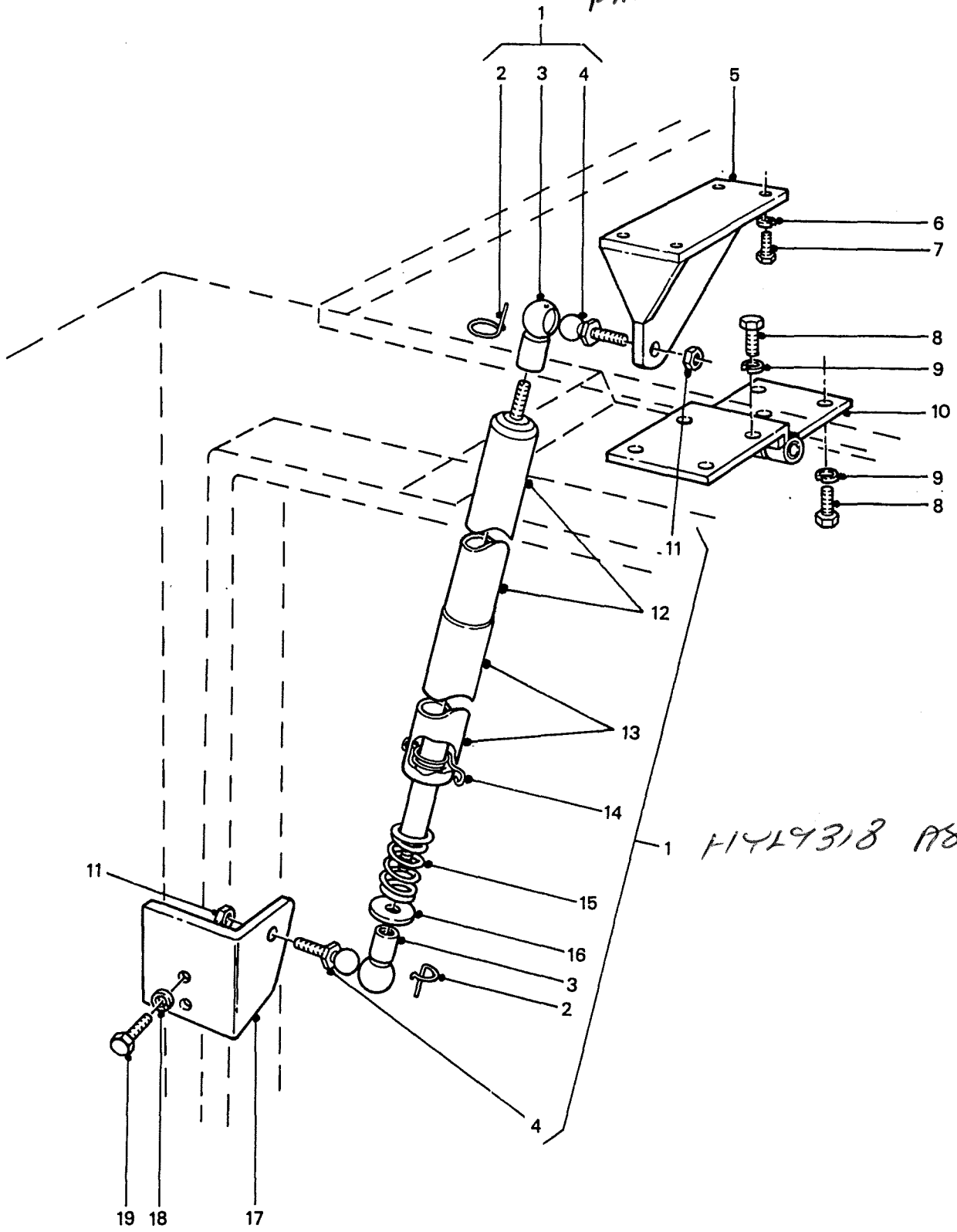
ITEM	PART NO.	DESCRIPTION	NSN	DERIVATIVE CODE								
				2185	2186	2208	2209	2210	2211	2212	2219	CP
3	HYL9927	POP RIVET										82
24	SE106161L	SCREW	5305-99-135-0440									12
25	HYM41	LOCK-END										1
26	HYM42	PLATE-MOUNTING										1
28	SE105141	SCREW										1
29	HYM43	SURROUND-WINDOW										1
30	HYM44	SEAL-DOOR										1
31	HYM45	SUPPORT-SEAL-SIDES & TOP										1
	HYM46	SUPPORT-SEAL-LOWER										1
32	HYM51	HANDLE-DOOR-INTERIOR										1
33	AB606081	SCREW										2
34	HYM47	PLATE-MOUNTING										1
35	HYM48	CATCH-DOOR										1
36	WF106001L	WASHER-LOCK	5310-66-128-4931									4
37	HYM49	ROD & MECHANISM ASSY										1
38	NSS											
39	NSS											
40	HYL9855	CLIP-DOOR										3

CHANGE POINT

ARN INTRODUCTION

GROUP WQB

PART OF H1419318



REAR & SIDE DOOR STRUT, HINGE & MOUNTINGS – AMBULANCE & GMV

PERENTIE LAND ROVER PARTS LIST

WQB /1/1 REAR & SIDE DOOR STRUT, HINGE & MOUNTINGS - AMBULANCE & GMV

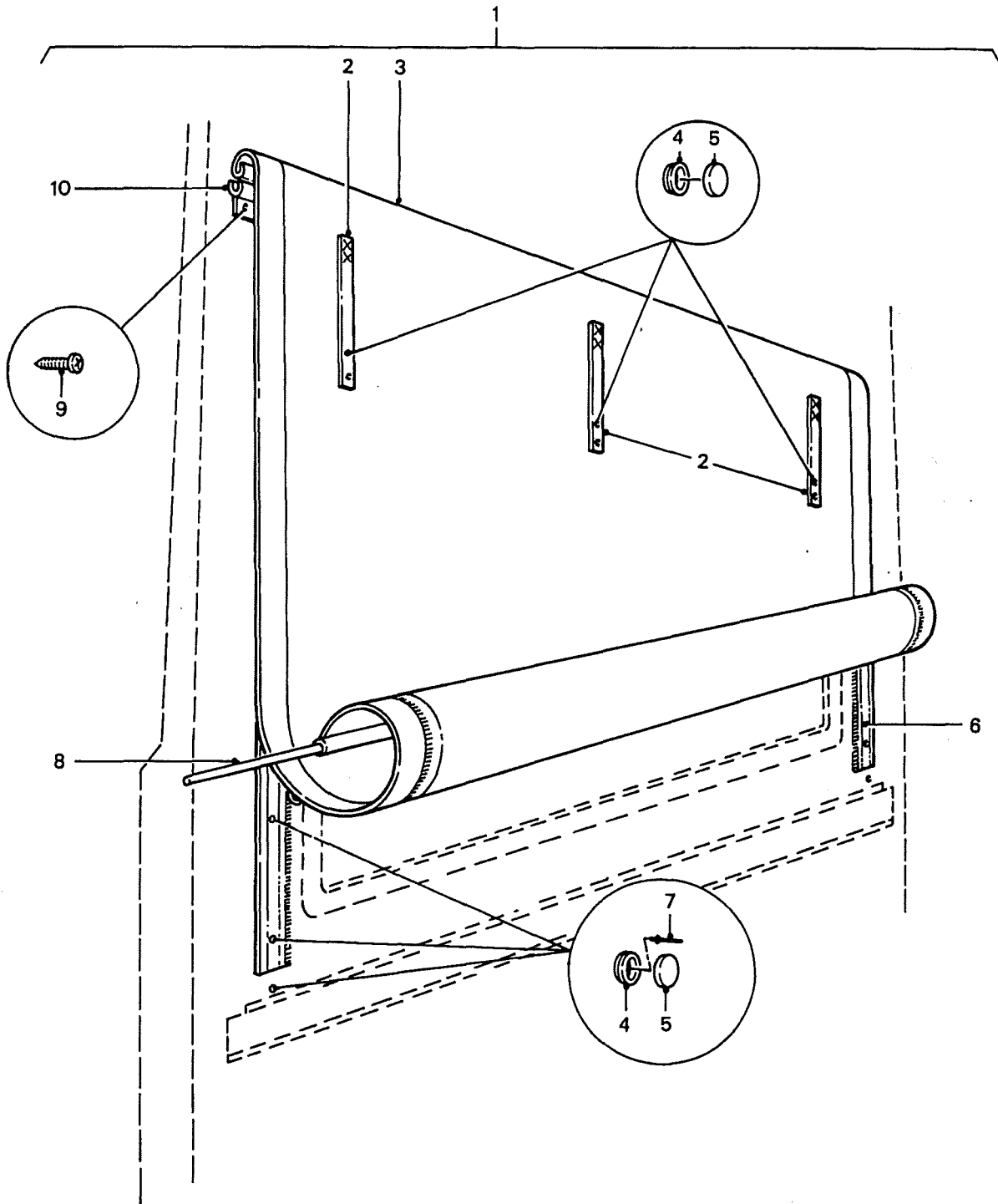
DERIVATIVE CODE

<u>ITEM</u>	<u>PART NO.</u>	<u>DESCRIPTION</u>	<u>NSN</u>	<u>2185</u>	<u>2186</u>	<u>2208</u>	<u>2209</u>	<u>2210</u>	<u>2211</u>	<u>2212</u>	<u>2219</u>	<u>CP</u>
1	HYL9318	STRUT ASSY (INCLUDES ITEMS 2-4, 11-16)	2540-66-128-5879			2		6				
2	HYL9319	CLIP-SPRING				4		12				
3	HYL9320	SOCKET				4		12				
4	HYL9321	BALL-SOCKET				4		12				
5	HYL9322	BRACKET-UPPER-STRUT MOUNTING				2		6				
6	WM108001L	WASHER-LOCK	5310-99-135-9302			8		24				
7	SH208301	SCREW				8		24				
8	SH201301	SCREW				28		42				
9	WM110001L	WASHER-LOCK	5310-99-135-4103			28		42				
10	HYL9323	HINGE-DOOR				4		4				
11	NH110141	NUT				4		12				
12	NSS											
13	NSS											
14	HYL9324	CLIP-SPRING RETAINING				2		6				
15	HYL9325	SPRING-STRUT LOCKING TUBE				2		6				
16	WA114001	WASHER-PLAIN				2		6				
17	HYL9326	BRACKET-LOWER-STRUT MOUNTING-RH				2		6				
	HYL9327	BRACKET-LOWER-STRUT MOUNTING-LH				2		6				
18	WL106001L	WASHER-LOCK	5310-99-137-9232			4		4				
19	SH206151	SCREW				4		4				
	HYM387	SPACER-HINGE-SIDE DOORS						1				

CHANGE POINT

ARN INTRODUCTION

GROUP WQC



**REAR BLACKOUT CURTAIN ASSEMBLY
- AMBULANCE AND GMV**

PERENTIE LAND ROVER PARTS LIST

WQC /1/1 REAR BLACKOUT CURTAIN ASSEMBLY - AMBULANCE AND GMV

DERIVATIVE CODE

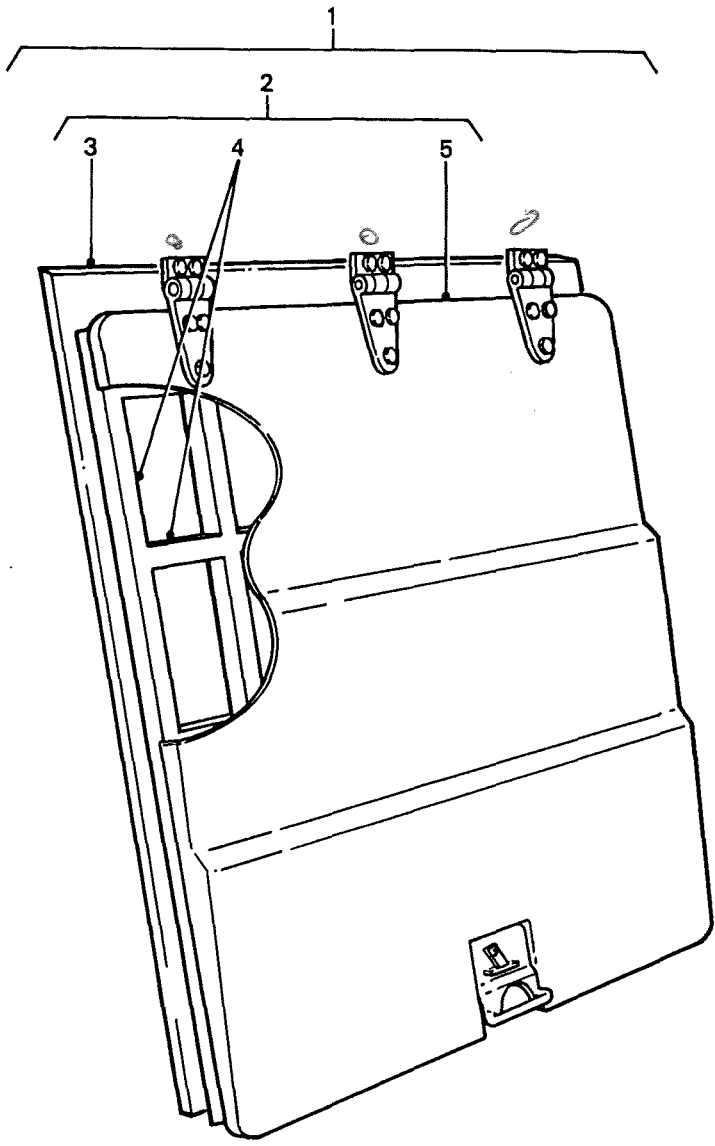
<u>ITEM</u>	<u>PART NO.</u>	<u>DESCRIPTION</u>	<u>NSN</u>	<u>2185</u>	<u>2186</u>	<u>2208</u>	<u>2209</u>	<u>2210</u>	<u>2211</u>	<u>2212</u>	<u>2219</u>	<u>CP</u>
1	HYL9220	CURTAIN ASSY-BLACKOUT	2540-66-128-5880			1		1				
2	NSS											
3	NSS											
4	HYL9221	STUD-MALE				26		26				
5	HYL9222	STUD-FEMALE				26		26				
6	NSS											
7	RU608123L	POP RIVET	5320-66-128-4634			20		20				
8	NSS											
9	AB606051L	SCREW	5305-66-016-0723			6		6				
10	HYL9223	CHANNEL-CURTAIN RETAINING				1		1				

CHANGE POINT

ARN INTRODUCTION

GROUP WQD SHEET 1

①
H4200E P882
H4171107
502950



**SIDE DOOR ASSEMBLY
- GMV**

PERENTIE LAND ROVER PARTS LIST

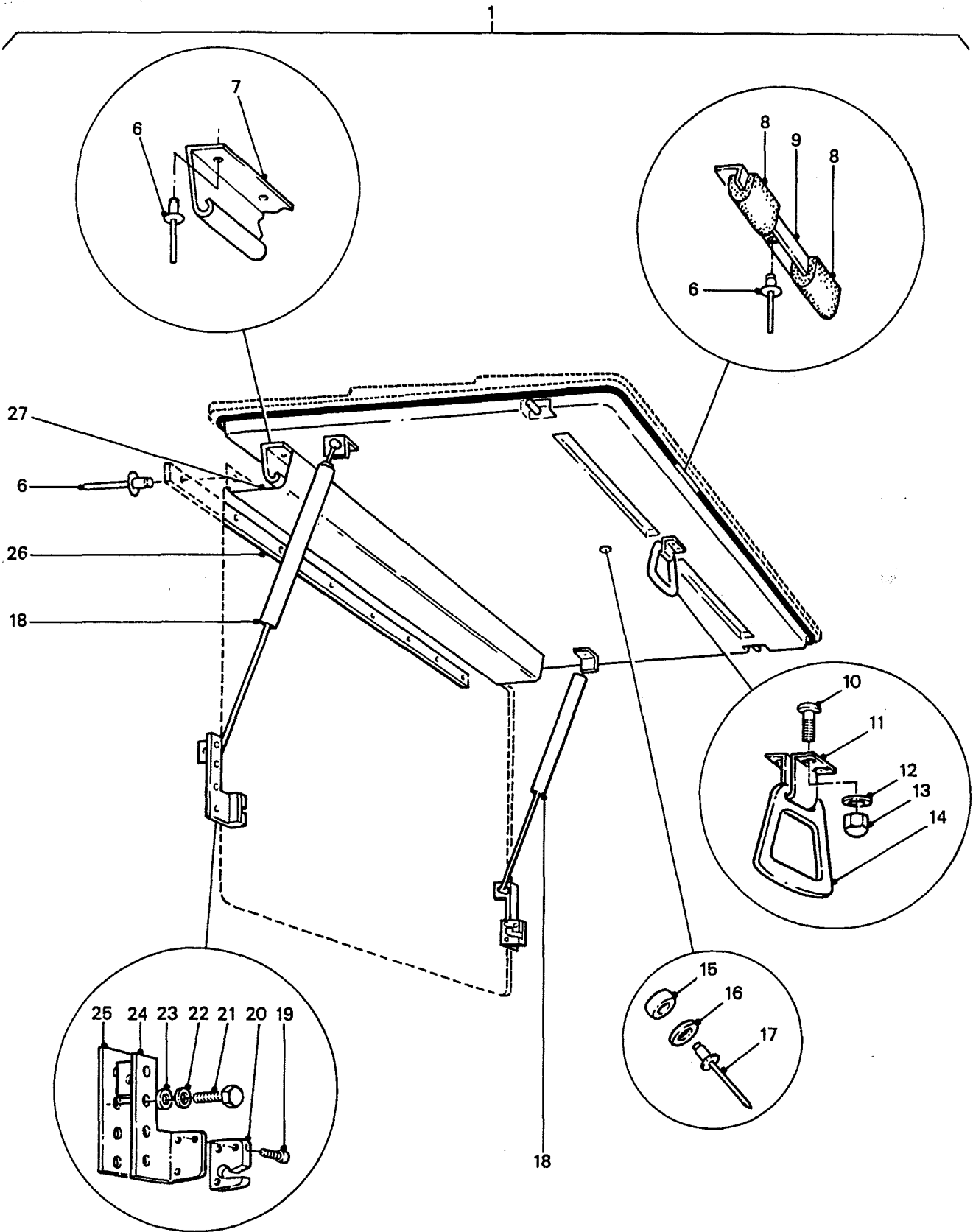
WQD /1/1 SIDE DOOR ASSEMBLY - GMV

ITEM	PART NO.	DESCRIPTION	NSN	DERIVATIVE CODE									
				2185	2186	2208	2209	2210	2211	2212	2219	CP	
1	HYM333	DOOR ASSY-LH SIDE-COMPLETE (INCLUDES ITEMS 2 - 27)						1					
	HYM334	DOOR ASSY-RH SIDE-COMPLETE (INCLUDES ITEMS 2 - 27)						1					
2	NSS												
3	NSS												
4	NSS												
5	NSS												

CHANGE POINT

ARN INTRODUCTION

GROUP WQD SHEET 2



**SIDE DOOR ASSEMBLY
- GMV - CONTINUED**

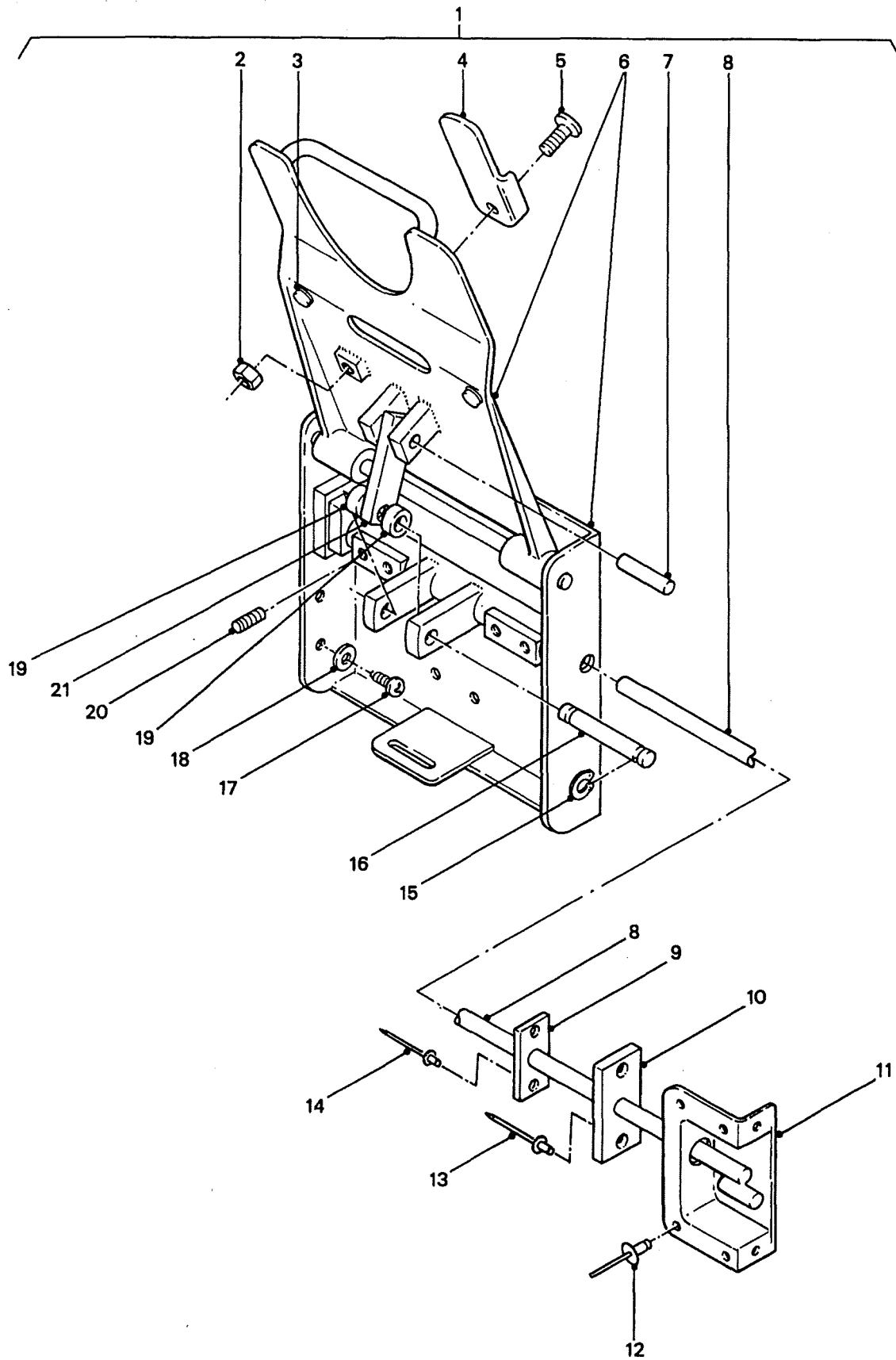
PERENTIE LAND ROVER PARTS LIST

WQD /1/2 SIDE DOOR ASSEMBLY - GMV - CONTINUED

ITEM	PART NO.	DESCRIPTION	NSN	DERIVATIVE CODE								
				2185	2186	2208	2209	2210	2211	2212	2219	CP
6	HYL9945	POP RIVET										38
7	HYM335	TRIM-PROTECTION										1
8	HYM336	SEAL-DOOR										1
9	HYM337	ANGLE-SEAL SUPPORT										2
10	HYM360	SCREW	5305-66-023-0047									4
11	HYM338	BRACKET-HANDLE MOUNTING										1
12	WM600041L	WASHER-LOCK										4
13	HYM362	NUT	5310-66-108-4859									4
14	HYM339	HANDLE-PULL-INTERIOR										1
15	HYM340	STOP-RUBBER	5340-66-128-6051									1
16	WA104004L	WASHER-PLAIN	5310-99-550-3198									1
17	HYL9927	POP RIVET										1
18	HYL9318	STRUT ASSY	2540-66-128-5879									2
19	HYM361	SCREW										3
20	HYM341	PLATE-STRIKER-LH										1
	HYM342	PLATE-STRIKER-RH										1
21	BH110121L	BOLT	5305-99-122-8668									4
22	WM110001L	WASHER-LOCK	5310-99-135-4103									4
23	WA110001L	WASHER-PLAIN										4
24	HYM343	PLATE-MOUNTING-LH										1
	HYM344	PLATE-MOUNTING-RH										1
25	HYM345	SPACER-PLATE										2
26	HYM346	TRIM-PROTECTION										1
27	HYM347	CURTAIN-PROTECTION										1

CHANGE POINT

ARN INTRODUCTION

GROUP WQE

**SIDE DOOR RELEASE HANDLE ASSEMBLY
- GMV**

PERENTIE LAND ROVER PARTS LIST

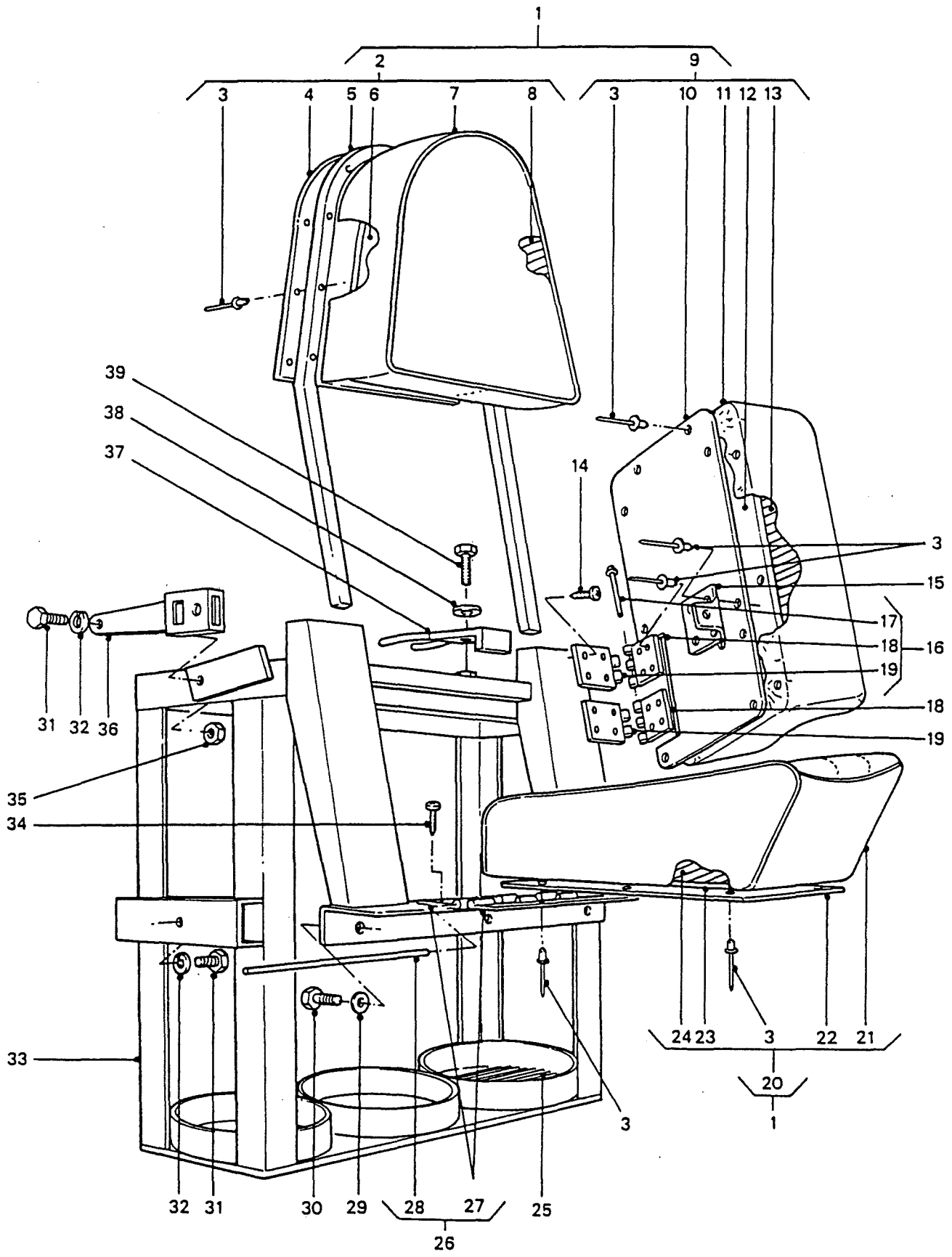
WQE /1/1 SIDE DOOR RELEASE HANDLE ASSEMBLY - GMV

ITEM	PART NO.	DESCRIPTION	NSN	DERIVATIVE CODE									
				2185	2186	2208	2209	2210	2211	2212	2219	CP	
1	HYM348	HANDLE-RELEASE (INCLUDES ITEMS 2-11,15,16,19-21)											1
2	NY106041L	NUT-NYLOC	5310-99-138-8423										1
3	HYM349	STOP-BUMP-RUBBER											2
4	HYM350	PLATE-LOCKING											1
5	SF106161L	SCREW											1
6	NSS												
7	HYM351	PIN-ROLL											1
8	HYM352	SHAFT/CAM-HANDLE RELEASE											2
9	HYM353	TRIM-ROD											2
10	HYM354	TRIM-PLATE											2
11	HYM355	PLATE-COVER											2
12	HYL9927	POP RIVET											12
13	HYL9965	POP RIVET											4
14	HYL9945	POP RIVET											4
15	HYM356	CLIP-E											2
16	HYM357	SHAFT											1
17	SE106251L	SCREW	5305-99-135-0442										6
18	WF106001L	WASHER-LOCK	5310-66-128-4931										6
19	HYM358	SPACER											2
20	S108181L	SCREW											4
21	HYM359	LINK-PIVOT											1

CHANGE POINT

ARN INTRODUCTION

GROUP WR



ASSISTANTS SEAT ASSY & OXYGEN CYLINDER MOUNTING FRAME - AMBULANCE

PERENTIE LAND ROVER PARTS LIST

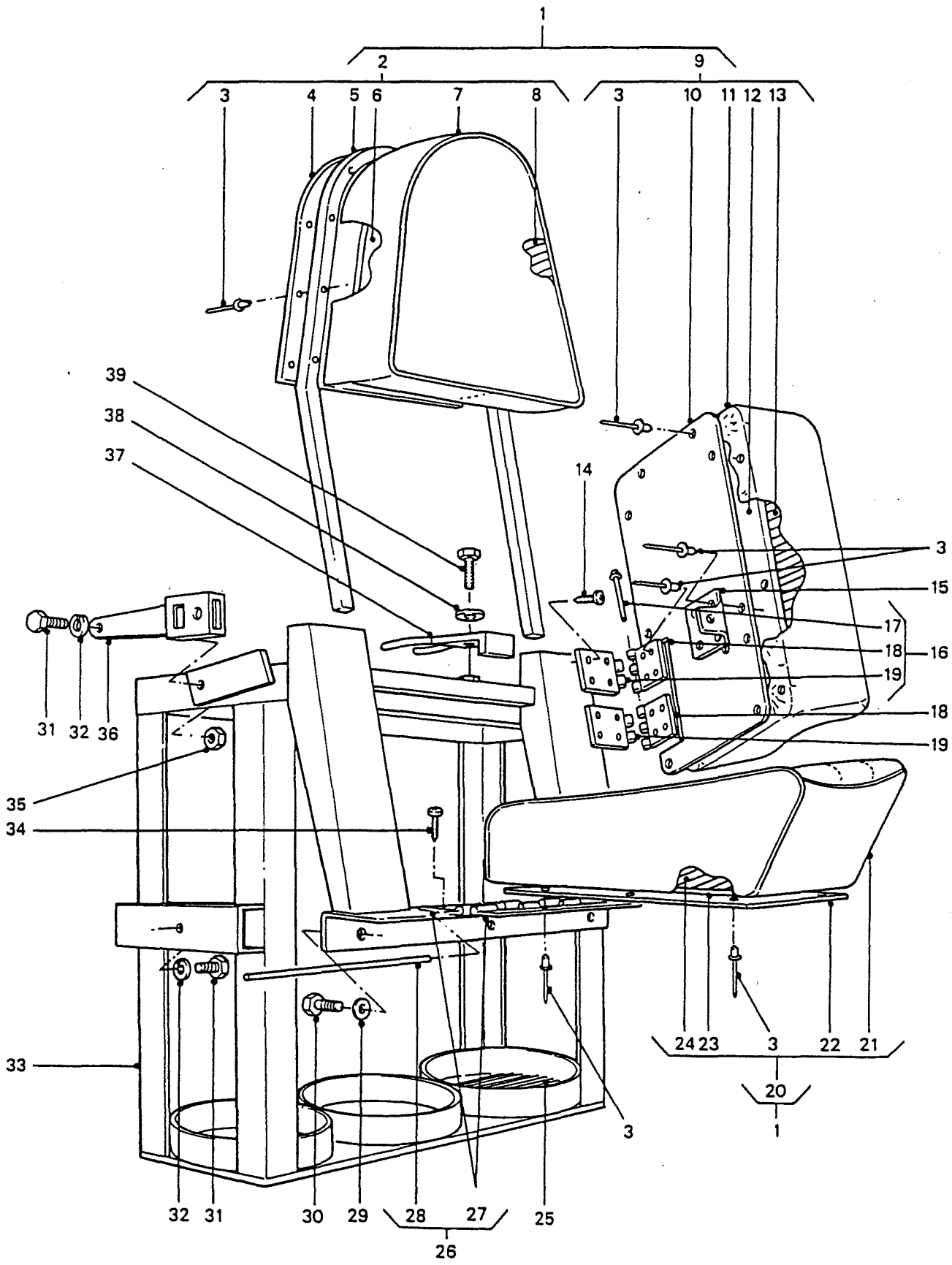
WR /1/1

ASSISTANTS SEAT ASSY & OXYGEN CYLINDER MOUNTING FRAME - AMBULANCE

DERIVATIVE CODE

<u>ITEM</u>	<u>PART NO.</u>	<u>DESCRIPTION</u>	<u>NSN</u>	<u>2185</u>	<u>2186</u>	<u>2208</u>	<u>2209</u>	<u>2210</u>	<u>2211</u>	<u>2212</u>	<u>2219</u>	<u>CP</u>
1	HYL9481	SEAT ASSY (INCLUDES ITEMS 2-9,20)						1				
2	HYL9482	HEADREST ASSY (INCLUDES ITEMS 3-8)						1				
3	HYL9171	POP RIVET						99				
4	NSS											
5	NSS											
6	NSS											
7	NSS											
8	NSS											
9	HYL9496	SQUAB ASSY (INCLUDES ITEMS 3, 10-13)						1				
10	NSS											
11	NSS											
12	NSS											
13	NSS											
14	SF203061	SCREW						8				
15	HYL9483	CATCH-SQUAB RETAINING						1				
16	HYL9484	HINGE ASSY						2				
17	NSS											
18	NSS											
19	NSS											
20	HYL9485	CUSHION ASSY						1				
21	NSS											
22	NSS											
23	NSS											
24	NSS											
25	HYL9486	MAT-RUBBER						3				
26	HYL9487	HINGE ASSY						1				
27	NSS											

GROUP WR



ASSISTANTS SEAT ASSY & OXYGEN CYLINDER MOUNTING FRAME - AMBULANCE

PERENTIE LAND ROVER PARTS LIST

WR 1/1

ASSISTANTS SEAT ASSY & OXYGEN CYLINDER MOUNTING FRAME - AMBULANCE

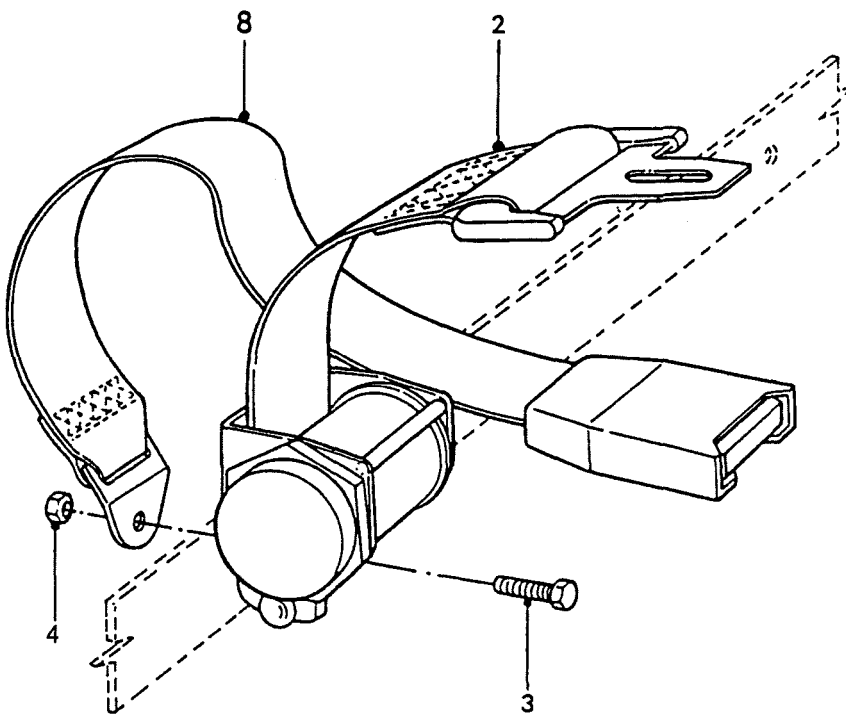
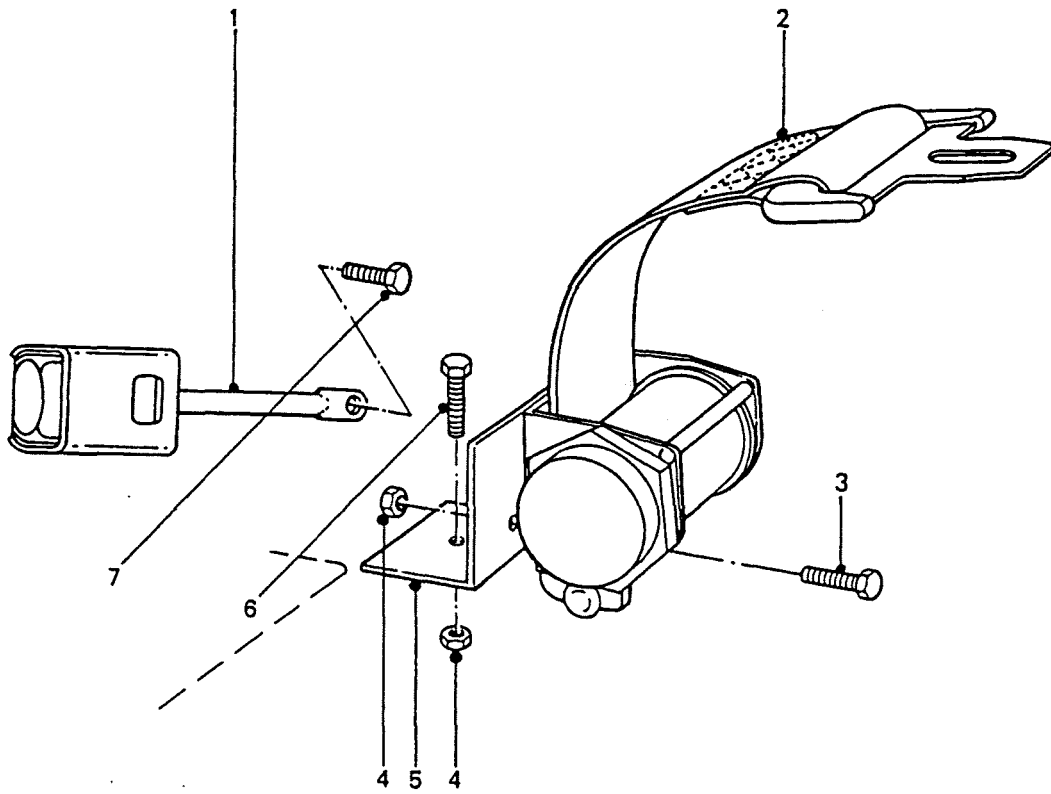
DERIVATIVE CODE

<u>ITEM</u>	<u>PART NO.</u>	<u>DESCRIPTION</u>	<u>NSN</u>	<u>2185</u>	<u>2186</u>	<u>2208</u>	<u>2209</u>	<u>2210</u>	<u>2211</u>	<u>2212</u>	<u>2219</u>	<u>CP</u>
28	NSS											
29	WA110001L	WASHER-PLAIN						3				
30	BT110061	BOLT						3				
31	BT110081	BOLT						3				
32	WM110001L	WASHER-LOCK	5310-99-135-4103					3				
33	HYL9488	BRACKET-BOTTLE						1				
34	AB606031L	SCREW	5305-99-901-9736					16				
35	NY110041L	NUT-NYLOC	5310-99-122-5497					1				
36	HYL9489	CLIP-SQUAB RETAINING						1				
37	HYL9490	CLAMP-BOTTLE						3				
38	WA112001	WASHER-PLAIN						3				
39	BT112131	BOLT						3				

CHANGE POINT

ARN INTRODUCTION

GROUP WS



**SEAT BELTS – MODULE
– AMBULANCE**

PERENTIE LAND ROVER PARTS LIST

WS 1/1 SEAT BELTS - MODULE - AMBULANCE

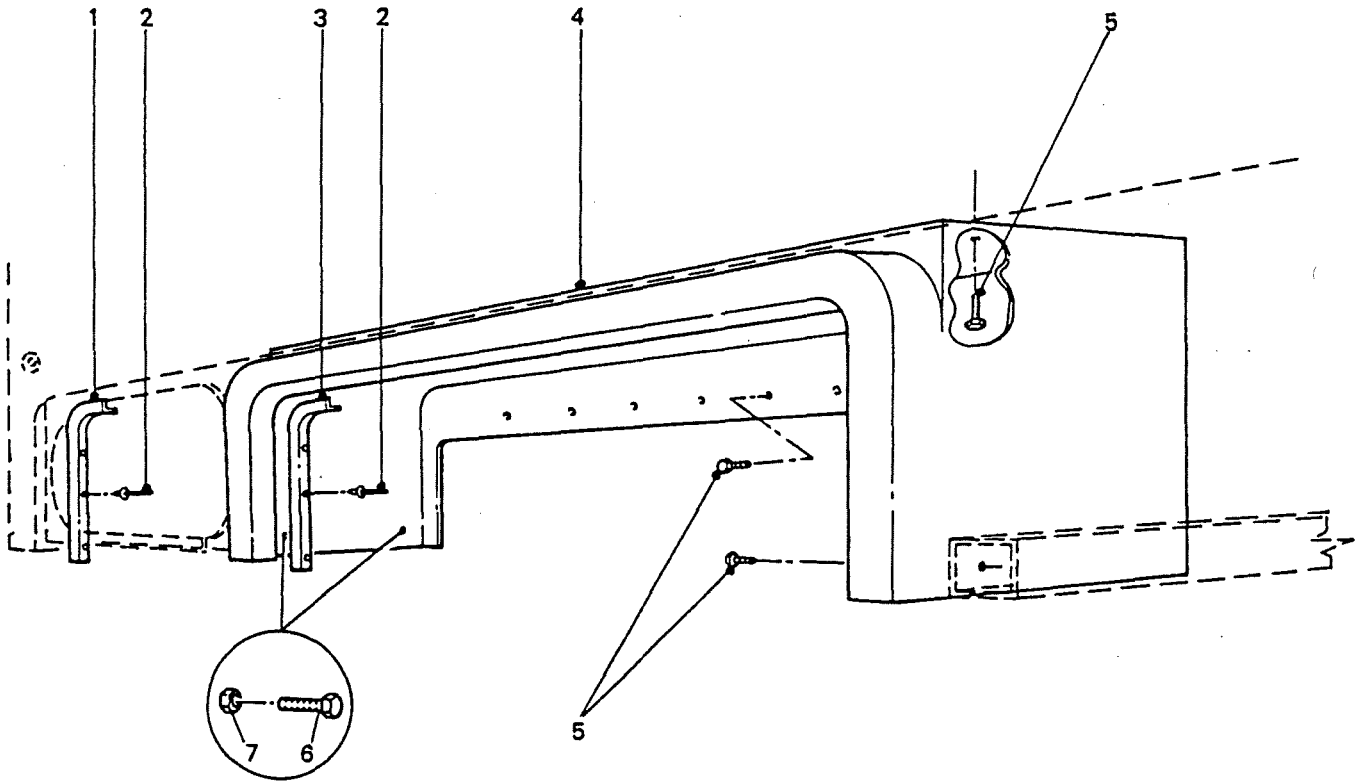
DERIVATIVE CODE

<u>ITEM</u>	<u>PART NO.</u>	<u>DESCRIPTION</u>	<u>NSN</u>	<u>DERIVATIVE CODE</u>										
				<u>2185</u>	<u>2186</u>	<u>2208</u>	<u>2209</u>	<u>2210</u>	<u>2211</u>	<u>2212</u>	<u>2219</u>	<u>CP</u>		
1	HYL9314	STALK-SEATBELT	2540-66-128-5998											1
2	HYM437	SEAT BELT	2540-66-128-5911											9
3	HYL9317	BOLT-BELT												9
4	NY607041L	NUT-NYLOC	5310-99-941-7650											10
5	HYL9315	BRACKET-MOUNTING												1
6	BH607161L	BOLT												1
7	BH210081	BOLT	5306-66-128-5331											1
8	HYL9316	SEAT BELT	2540-66-128-5910											8
	HYL9822	PROTECTOR-STRETCHER SEAT BELT-RH												1
	HYL9821	PROTECTOR-STRETCHER SEAT BELT-LH												1
	RA612313L	POP RIVET-PROTECTOR												6

CHANGE POINT

ARN INTRODUCTION

GROUP WT



**REAR MUDGUARD AND PROTECTION STRIPS
- AMBULANCE, GMV AND ERV**

PERENTIE LAND ROVER PARTS LIST

WT /1/1

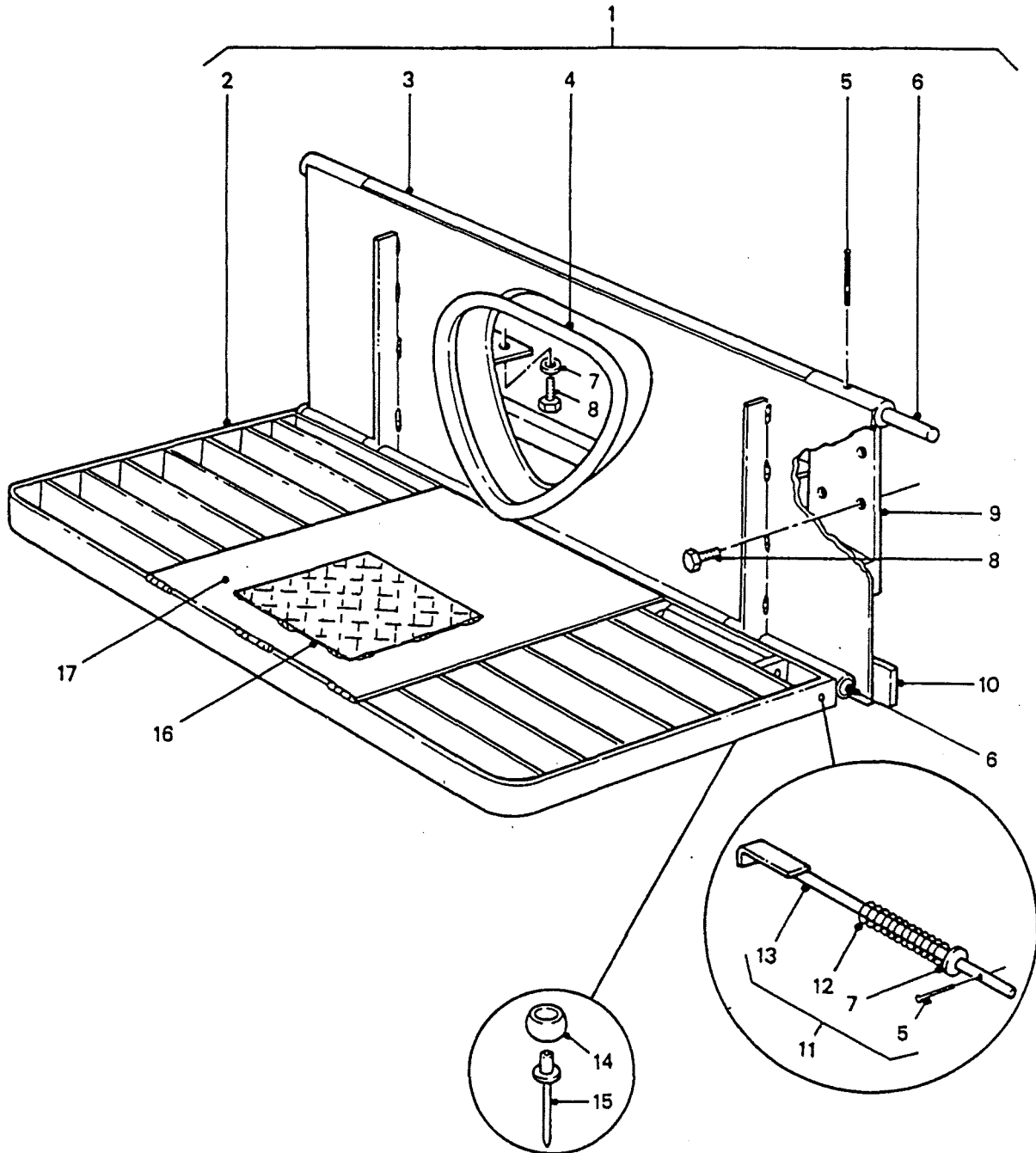
REAR MUDGUARD AND PROTECTION STRIPS - AMBULANCE, GMV AND ERV

DERIVATIVE CODE

<u>ITEM</u>	<u>PART NO.</u>	<u>DESCRIPTION</u>	<u>NSN</u>	<u>2185</u>	<u>2186</u>	<u>2208</u>	<u>2209</u>	<u>2210</u>	<u>2211</u>	<u>2212</u>	<u>2219</u>	<u>CP</u>
1	HYL9274	STRIP-REAR-RH- STONE PROTECTION				1	1	1				
	HYL9275	STRIP-REAR-LH- STONE PROTECTION				1	1	1				
2	RU608073	POP RIVET				10	10	10				
3	HYL9276	STRIP-FRONT-RH- STONE PROTECTION				1	1	1				
	HYL9277	STRIP-FRONT-LH- STONE PROTECTION				1	1	1				
4	HYL9278	MUDGUARD-RH				1	1	1				
	HYL9279	MUDGUARD-LH				1	1	1				
5	HYL9280	SCREW-TEK				17	17	17				
6	SH206301	SCREW				3	3	3				
7	NY206041	NUT-NYLOC				3	3	3				
	HYL9281	PAD-RUBBER- MUDGUARD & TOOLBOX				2	2	2				

CHANGE POINT

ARN INTRODUCTION

GROUP WU/1

**REAR STEP ASSEMBLY
- AMBULANCE**

PERENTIE LAND ROVER PARTS LIST

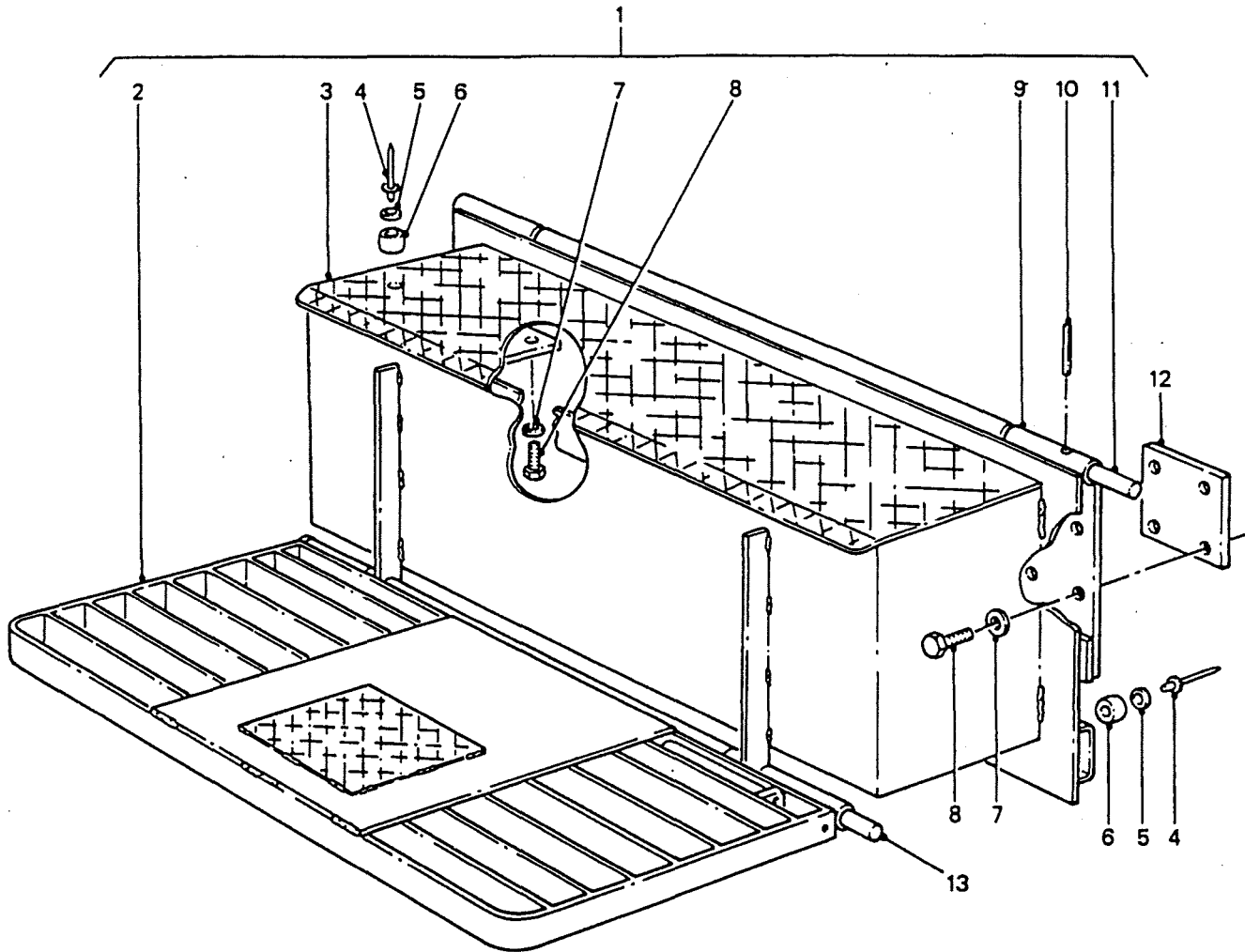
WU /1/1 REAR STEP ASSEMBLY - AMBULANCE

ITEM	PART NO.	DESCRIPTION	NSN	DERIVATIVE CODE									
				2185	2186	2208	2209	2210	2211	2212	2219	CP	
1	HYL9122	STEP ASSY-REAR				1							
2	NSS												
3	NSS												
4	HYL9123	SEAL-STEP				1							
5	PA106201	ROLL PIN	5315-99-120-8129			2							
6	NSS												
7	WA110001L	WASHER-PLAIN				5							
8	SH110161L	SCREW	5305-99-122-5370			12							
9	NSS												
10	HYL9124	SEAL-STEP				2							
11	HYL9125	CATCH ASSY-STEP RETAINING (INCLUDES ITEMS 5,7,12, & 13)				1							
12	NSS												
13	NSS												
14	HYL9126	BUMP STOP-RUBBER				2							
15	RU608123L	POP RIVET	5320-66-128-4634			2							
16	NSS												
17	NSS												

CHANGE POINT

ARN INTRODUCTION

GROUP WU/2



**REAR STEP ASSEMBLY
- GMV AND ERV**

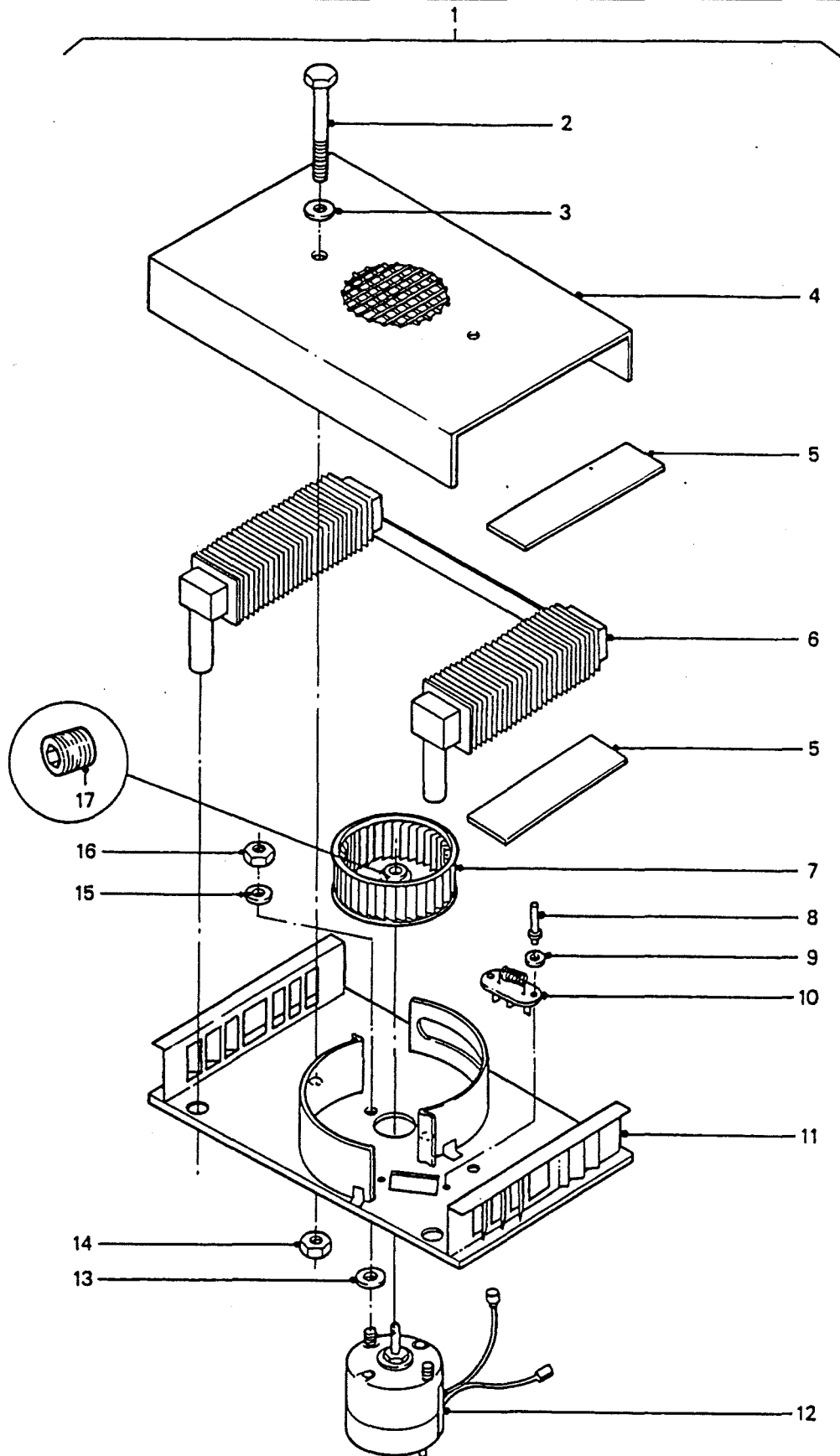
PERENTIE LAND ROVER PARTS LIST

WU /2/1 REAR STEP ASSEMBLY - GMV AND ERV

ITEM	PART NO.	DESCRIPTION	NSN	DERIVATIVE CODE									
				2185	2186	2208	2209	2210	2211	2212	2219	CP	
1	HYM75	STEP ASSY-REAR (INCLUDES ITEMS 2-6, 9-11, 13)					1	1					
2	NSS												
3	NSS												
4	RU608123L	POP RIVET	5320-66-128-4634				4	4					
5	WA104001L	WASHER-PLAIN	5310-99-122-3031				4	4					
6	HYL9126	BUMP STOP-RUBBER					4	4					
7	WA110001L	WASHER-PLAIN					12	12					
8	SH110161L	SCREW	5305-99-122-5370				12	12					
9	NSS												
10	PA106201	ROLL PIN	5135-99-120-8129				2	2					
11	NSS												
11	HYL9125	CATCH ASSY											
12	HYM212	SPACER-8MM					2	2					
	HYM213	SPACER-5MM					2	2					
13	HYM214	PIN-HINGE-STEP					1	1					

CHANGE POINT

ARN INTRODUCTION

GROUP WV/1

**HEATER ASSEMBLY - MODULE
- AMBULANCE**

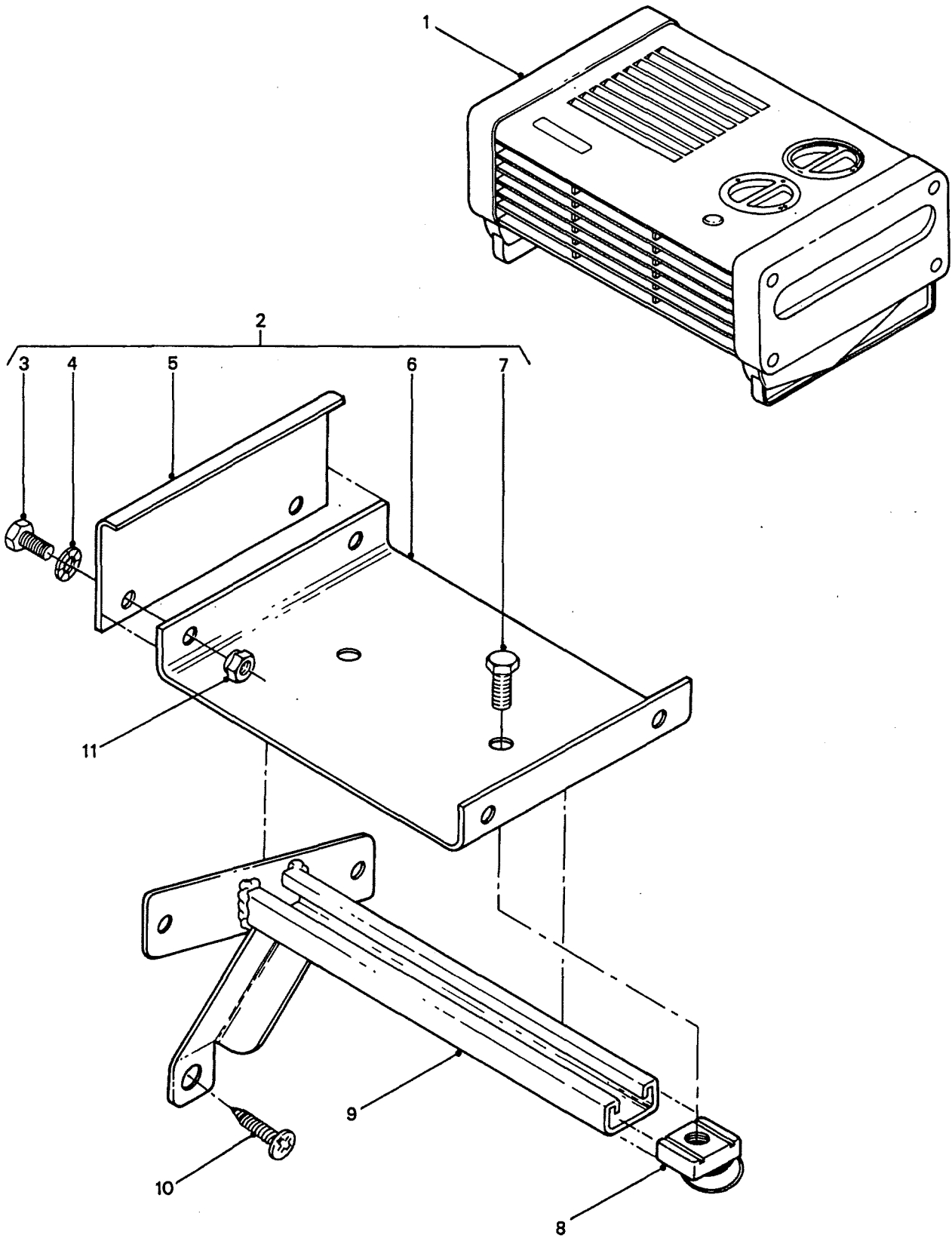
PERENTIE LAND ROVER PARTS LIST

WV /1/1 HEATER ASSEMBLY - MODULE - AMBULANCE

ITEM	PART NO.	DESCRIPTION	NSN	DERIVATIVE CODE										
				2185	2186	2208	2209	2210	2211	2212	2219	CP		
1	HYL9033	HEATER-24V	2930-66-128-5886					1						
2	NSS													
3	NSS													
4	HYL9040	COVER						1						
5	HYL9038	INSULATION -HEATER CORE						4						
6	HYL9039	CORE-HEATER	2930-66-128-5886					1						
7	HYL9037	WHEEL-BLOWER						1						
8	NSS													
9	NSS													
10	HYL9036	RESISTOR						1						
11	HYL9035	PLATE-BASE						1						
12	HYL9034	MOTOR-HEATER	6105-66-128-5892					1						
13	NSS													
14	NSS													
15	NSS													
16	NSS													
17	NSS													

CHANGE POINT

ARN INTRODUCTION

GROUP WV/2

**HEATER ASSEMBLY AND MOUNTINGS – MODULE
– GMV AND ERV**

PERENTIE LAND ROVER PARTS LIST

WV /2/1

HEATER ASSEMBLY AND MOUNTINGS - MODULE - GMV AND ERV

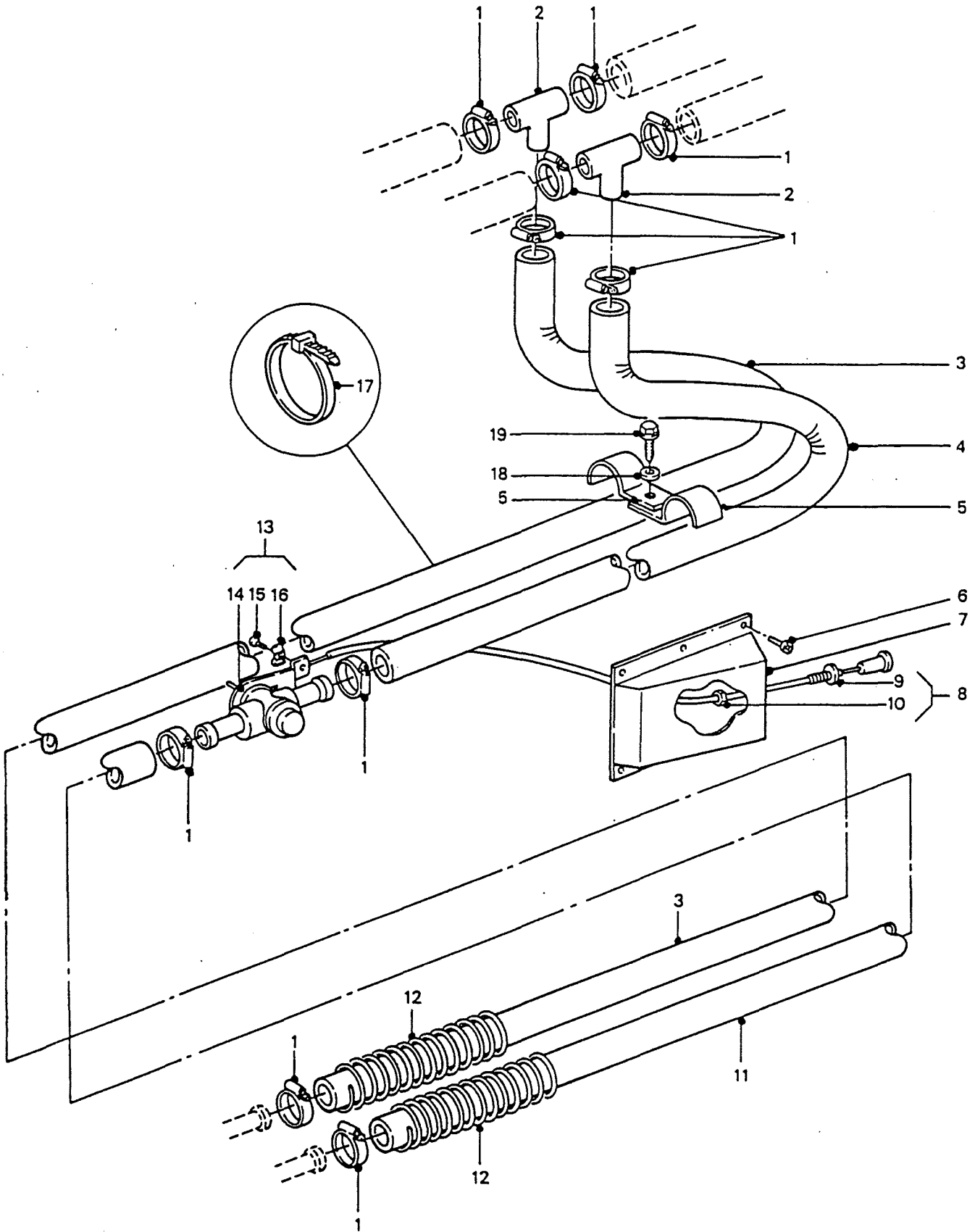
DERIVATIVE CODE

<u>ITEM</u>	<u>PART NO.</u>	<u>DESCRIPTION</u>	<u>NSN</u>	<u>2185</u>	<u>2186</u>	<u>2208</u>	<u>2209</u>	<u>2210</u>	<u>2211</u>	<u>2212</u>	<u>2219</u>	<u>CP</u>
1	HYM76	HEATER ASSY						1	1			
2	NSS											
3	SH108121L	SCREW	5305-99-122-5366					4	4			
4	WF108001	WASHER-LOCK	5310-99-136-2555					4	4			
5	HYM77	CLAMP-HEATER						2	2			
6	HYM78	BRACKET-MOUNTING						1	1			
7	HYM80	BOLT-SPECIAL						2	2			
8	HYL9967	NUT ASSY						2	2			
9	HYM79	ARM ASSY						1	1			
10	AC108301	SCREW						4	4			
11	HYM59	NUT-SPECIAL						4	4			

CHANGE POINT

ARN INTRODUCTION

GROUP WVA



**HEATER CONTROL, HOSES AND FITTINGS – MODULE
– AMBULANCE**

PERENTIE LAND ROVER PARTS LIST

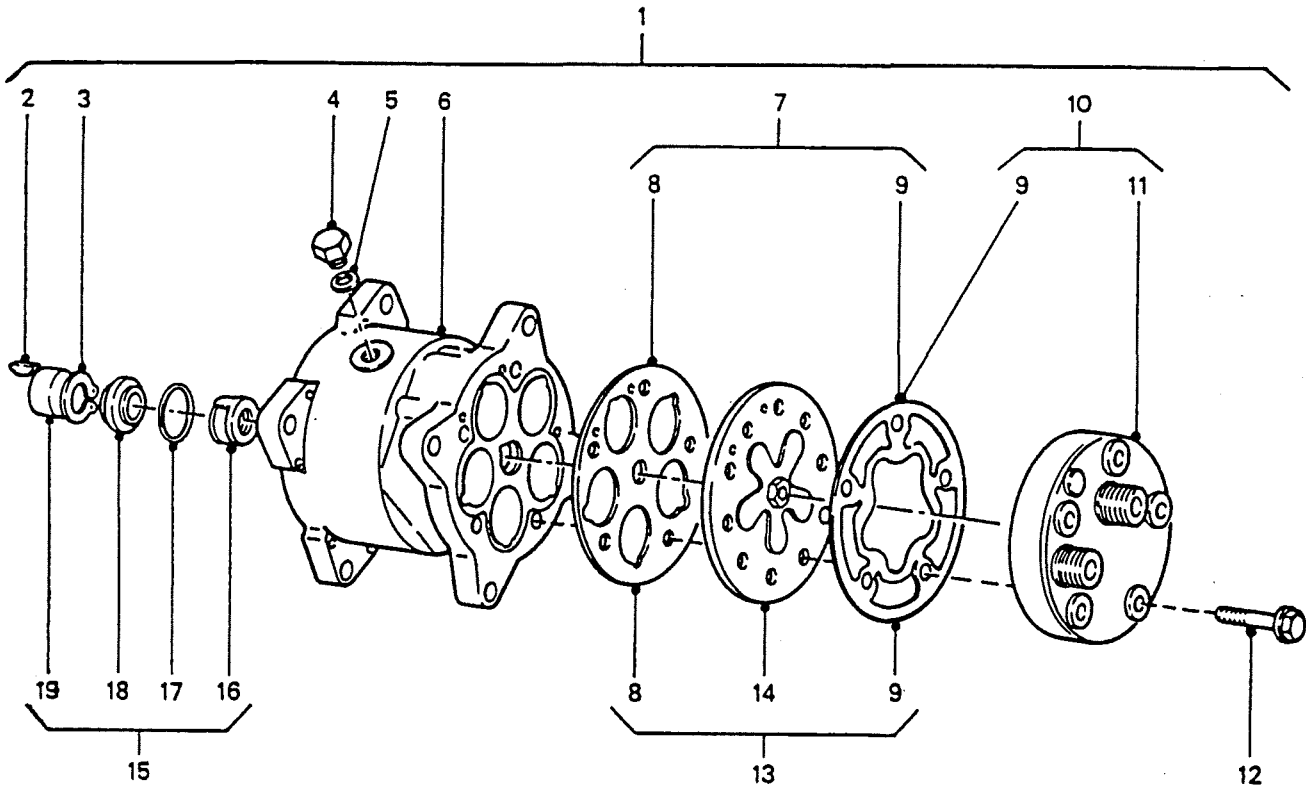
WVA /1/1 HEATER CONTROL, HOSES AND FITTINGS - MODULE - AMBULANCE
DERIVATIVE CODE

<u>ITEM</u>	<u>PART NO.</u>	<u>DESCRIPTION</u>	<u>NSN</u>	<u>2185</u>	<u>2186</u>	<u>2208</u>	<u>2209</u>	<u>2210</u>	<u>2211</u>	<u>2212</u>	<u>2219</u>	<u>CP</u>
1	NSS											
2	HYL9301	T PIECE								2		
3	NSS											
4	NSS											
5	HYL9269	CLAMP								10		
6	AB606051L	SCREW	5305-66-016-0723							6		
7	HYL9302	MOUNTING-HEATER CABLE SUPPORT								1		
8	HYL9303	CABLE-HEATER	2590-66-128-5891							1		
9	NSS											
10	NSS											
11	NSS											
12	NSS											
13	HYL9304	TAP-HEATER (INCLUDES ITEMS 14-16)	2540-66-128-5893							1		
14	NSS											
15	NSS											
16	NSS											
17	MYH1940	CABLE TIE	5340-99-618-3776							4		
18	WM106001	WASHER-LOCK	5310-99-137-9232							6		
19	AM106151	SCREW								5		

CHANGE POINT

ARN INTRODUCTION

GROUP WVB/1



**AIR CONDITIONER COMPRESSOR ASSEMBLY
- AMBULANCE**

PERENTIE LAND ROVER PARTS LIST

WVB /1/1 AIR CONDITIONER COMPRESSOR ASSEMBLY - AMBULANCE

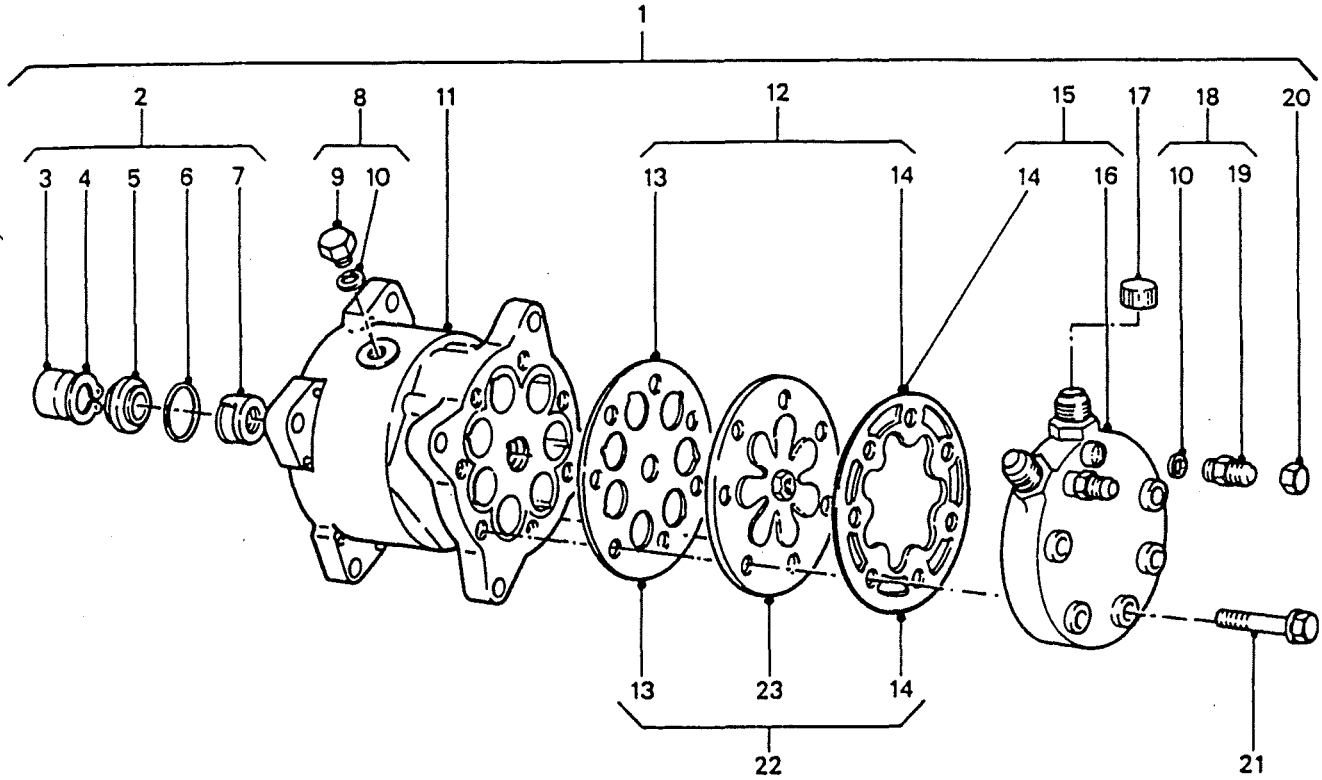
DERIVATIVE CODE

ITEM	PART NO.	DESCRIPTION	NSN	DERIVATIVE CODE								
				2185	2186	2208	2209	2210	2211	2212	2219	CP
1	AYG497	COMPRESSOR ASSY (INCLUDES ITEMS 2-15) <i>→ AMG 599 EC 2972 30/10/98 R12 GAS & R134A GAS</i>	4310-66-128-5921									1
2	HYL9200	KEY-SHAFT										1
3	HYL9201	RING-SNAP										1
4	HYL9202	PLUG-OIL FILLER										1
5	HYL9203	'O' RING										1
6	NSS											
7	HYL9204	KIT-GASKET-CYLINDER HEAD										1
8	NSS											
9	NSS											
10	HYL9205	HEAD ASSY-CYLINDER (INCLUDES ITEMS 8-9)										1
11	NSS											
12	HYL9206	SCREW										5
13	HYL9207	PLATE ASSY-VALVE AND GASKETS (INCLUDES ITEMS 8,9,14)										1
14	NSS											
15	HYL9208	KIT-SEAL (INCLUDES ITEMS 16-19)										1
16	NSS											
17	NSS											
18	NSS											
19	NSS											

CHANGE POINT

ARN INTRODUCTION

GROUP WV B/2



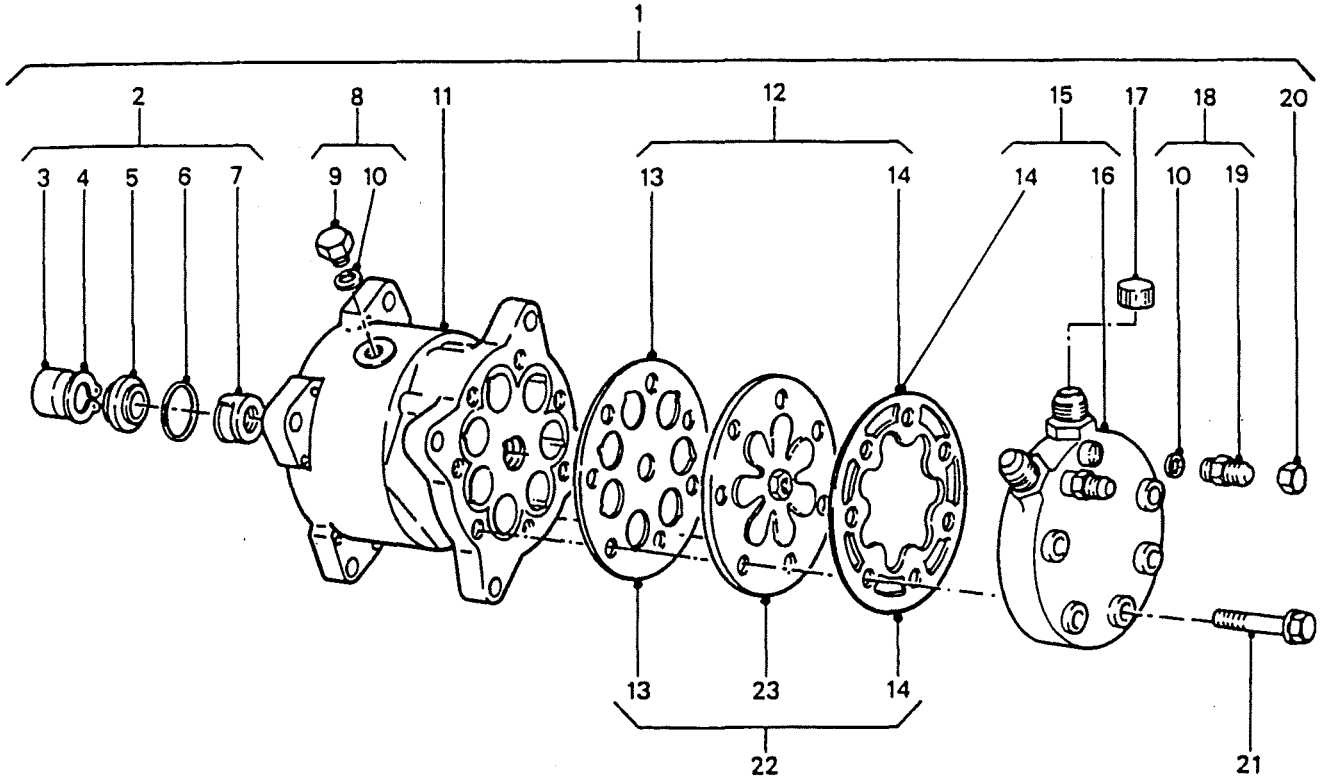
**AIR CONDITIONER COMPRESSOR ASSEMBLY
- ERV**

PERENTIE LAND ROVER PARTS LIST

WVB /2/1 AIR CONDITIONER COMPRESSOR ASSEMBLY - ERV

DERIVATIVE CODE

ITEM	PART NO.	DESCRIPTION	NSN	DERIVATIVE CODE									
				2185	2186	2208	2209	2210	2211	2212	2219	CP	
1	HYM220	COMPRESSOR ASSY- 7 PISTON (INCLUDES ITEMS 2-23)									1		
2	HYM221	KIT-SEAL AND FELT RING ASSY (INCLUDES ITEMS 3-7)									1		
3	NSS												
4	HYM222	RING-SNAP									1		
5	NSS												
6	NSS												
7	NSS												
8	HYM223	PLUG-FILLER									1		
9	NSS												
10	HYL9203	'O' RING									1		
11	NSS												
12	HYM224	KIT-GASKETS (INCLUDES ITEMS 13-14)									1		
13	NSS												
14	NSS												
15	HYM225	HEAD ASSY-CYLINDER (INCLUDES ITEMS 14-16)									1		
16	NSS												
17	HYM226	CAP-PROTECTION- DISCHARGE PORT									1		
	HYM227	CAP-PROTECTION- SUCTION PORT									1		
18	HYM228	PORT-SERVICE (INCLUDES ITEMS 10 & 19)									2		
19	NSS												
20	HYM229	CAP-SERVICE PORT									2		
21	HYM230	SCREW-CYLINDER HEAD									8		

GROUP WV B/2

**AIR CONDITIONER COMPRESSOR ASSEMBLY
- ERV**

PERENTIE LAND ROVER PARTS LIST

WVB /2/1 AIR CONDITIONER COMPRESSOR ASSEMBLY - ERV

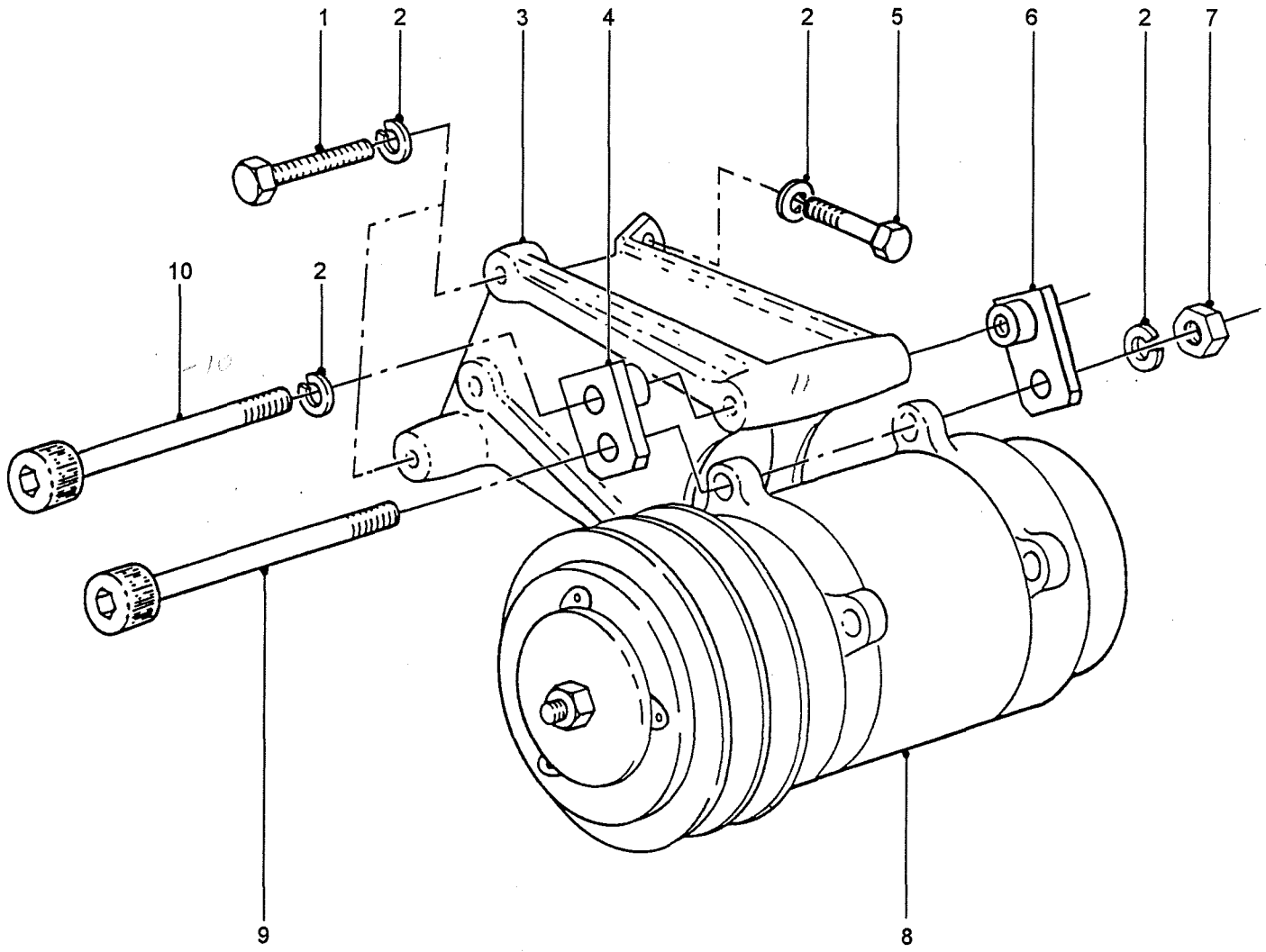
DERIVATIVE CODE

<u>ITEI</u>	<u>PART NO.</u>	<u>DESCRIPTION</u>	<u>NSN</u>	<u>2185</u>	<u>2186</u>	<u>2208</u>	<u>2209</u>	<u>2210</u>	<u>2211</u>	<u>2212</u>	<u>2219</u>	<u>CP</u>
22	HYM231	PLATE-VALVE										1
23	NSS											

CHANGE POINT

ARN INTRODUCTION

GROUP WVBA/1



**AIR CONDITIONING COMPRESSOR MOUNTING
- AMBULANCE**

PERENTIE LAND ROVER PARTS LIST

WVBA/1/1 AIR CONDITIONER COMPRESSOR MOUNTING - AMBULANCE

DERIVATIVE CODE

ITEM	PART NO.	DESCRIPTION	NSN	DERIVATIVE CODE							CP
				2185	2186	2208	2209	2210	2211	2212	
1	MYH3679	BOLT-FRONT FACE -M10 X42	5306-66-128-6399					2			
2	WL110001L	WASHER-LOCK	5310-99-138-9228					6			
3	AYG465	BRACKET-MOUNTING -COMPRESSOR	<i>hmm</i> <i>AYG 518</i>					1			
4	AYG518	SPACER-FRONT-PLAIN						1			
5	MYH3678	BOLT-SIDE FACE -M10 X 30	5306-66-128-6400					1			
6	AYG517	SPACER-REAR-THREADED						1			
7	FN110041	NUT	5310-66-098-4403					2			
8	AYG497	COMPRESSOR ASSY	4310-66-128-5921					1			
9	<i>AYG599</i> MYH3521	<i>OC 2472 30/14/88 (R12 - R134A)</i> BOLT-140MM-SPACERS TO COMPRESSOR	5306-66-128-6397					1			
10	MYH3522	BOLT-120MM-SPACERS TO MOUNTING BRACKET	5306-66-128-6398					1			
	MYH3381	BOLT-COMPRESSOR TO MOUNTING BRACKET-LOWER	5306-66-128-5894					1			

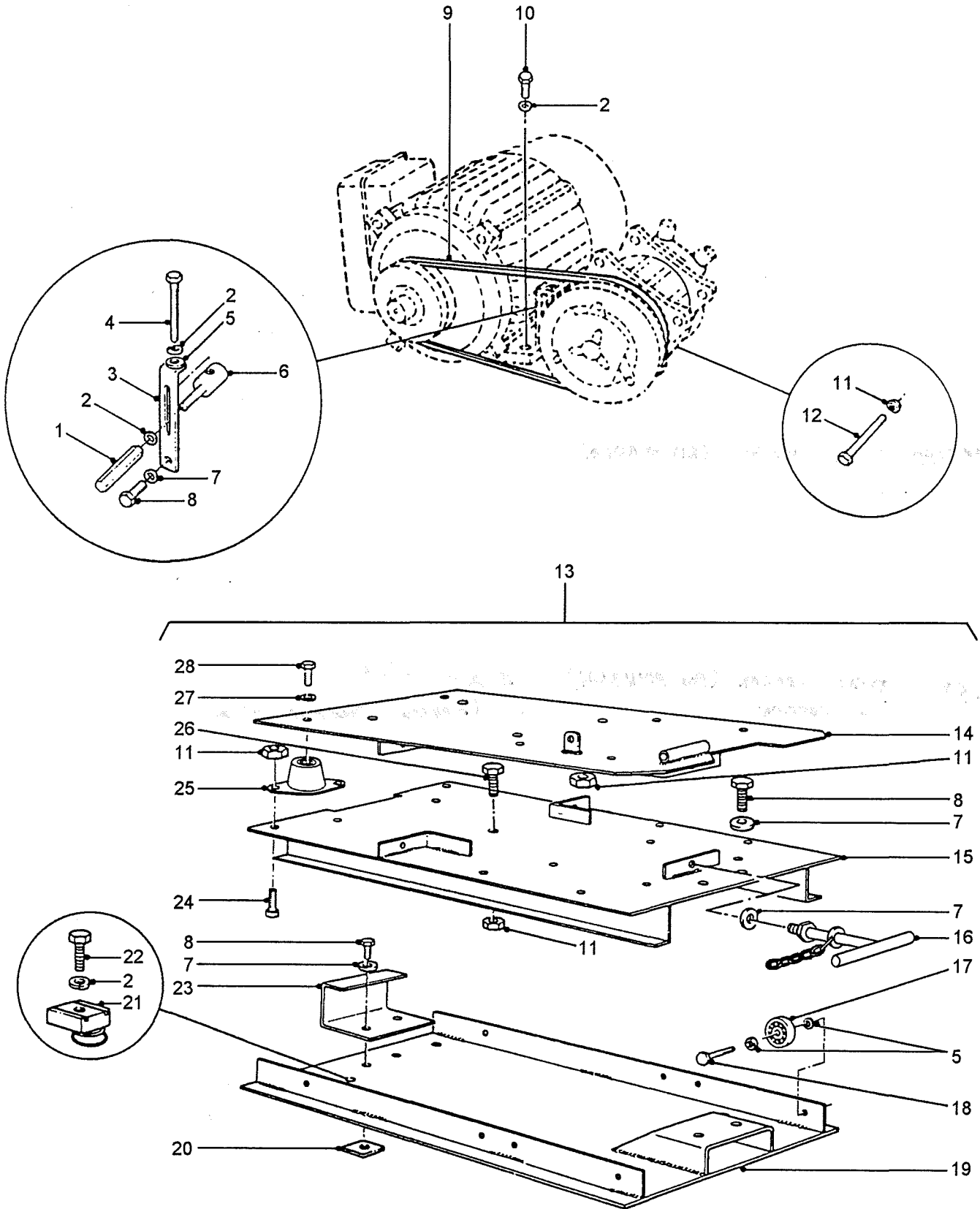
AYG58/

TUBE - SPACER (FOR MYH3521)
'D' SECTION
ARN INTRODUCTION

- EC 2695 5/11/96
MISSING FROM FILE! 9/11/00

CHANGE POINT

GROUP WVBA/2



AIR CONDITIONER COMPRESSOR & DRIVE MOTOR MOUNTINGS & DRIVE BELT – ERV

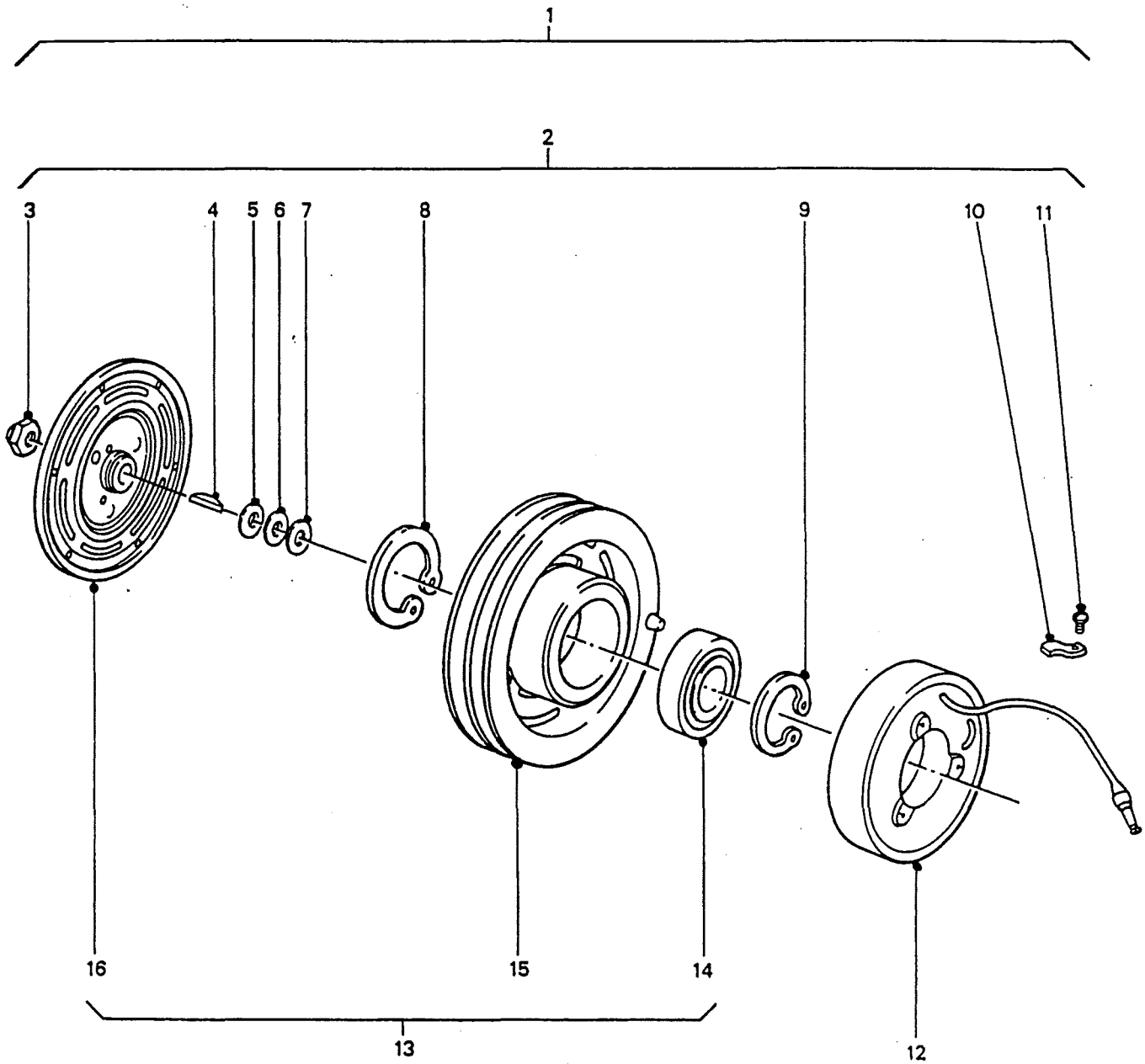
PERENTIE LAND ROVER PARTS LIST

WVBA/2/1 AIR CONDITIONER COMPRESSOR & DRIVE MOTOR MTGS & DRIVE BELT - ERV
DERIVATIVE CODE

ITEM	PART NO.	DESCRIPTION	NSN	DERIVATIVE CODE								
				2185	2186	2208	2209	2210	2211	2212	2219	CP
1	HYM245	NUT-ADJUSTING										1
2	WL110001L	WASHER-LOCK	5310-99-138-9228									10
3	HYM246	ARM-ADJUSTING										1
4	HYM247	SCREW										1
5	WA110001L	WASHER-PLAIN										18
6	HYM248	SPOOL-ADJUSTING										1
7	WM110001L	WASHER-LOCK	5310-99-135-4103									6
8	SH110251L	SCREW	5305-99-122-4910									5
9	HYM249	BELT-DRIVE	3030-66-128-6060									1
10	FS110301	SCREW	5305-66-098-4283									4
11	NY110041L	NUT-NYLOC	5310-99-122-5497									17
12	BH110221L	BOLT										1
13	HYM250	MOUNTING ASSY (INCLUDES ITEMS 5,7,8,11,14-20,23-28)										1
14	NSS											
15	NSS											
16	HYG6420	SCREW-TRANSPORT- "A"										1
17	HYM252	BEARING-BALL										8
18	HYM253	BOLT-SPECIAL										8
19	NSS											
20	HYM254	SPACER										8
21	HYL9967	NUT ASSY										4
22	SH110401L	SCREW	5305-99-122-8670									4
23	HYM255	BRACKET-SLIDE STOP										1
24	FS108251	SCREW	5305-99-122-5367									12
25	HYM256	MOUNT-RUBBER										6
26	SH110201L	BOLT	5305-99-122-4909									1
27	WM108001L	WASHER-LOCK	5310-99-135-9302									6
28	FS108251	SCREW	5305-99-122-5367									6

CHANGE POINT

ARN INTRODUCTION

GROUP WVBB/1

**AIR CONDITIONER CLUTCH AND PULLEY ASSEMBLY
- AMBULANCE**

PERENTIE LAND ROVER PARTS LIST

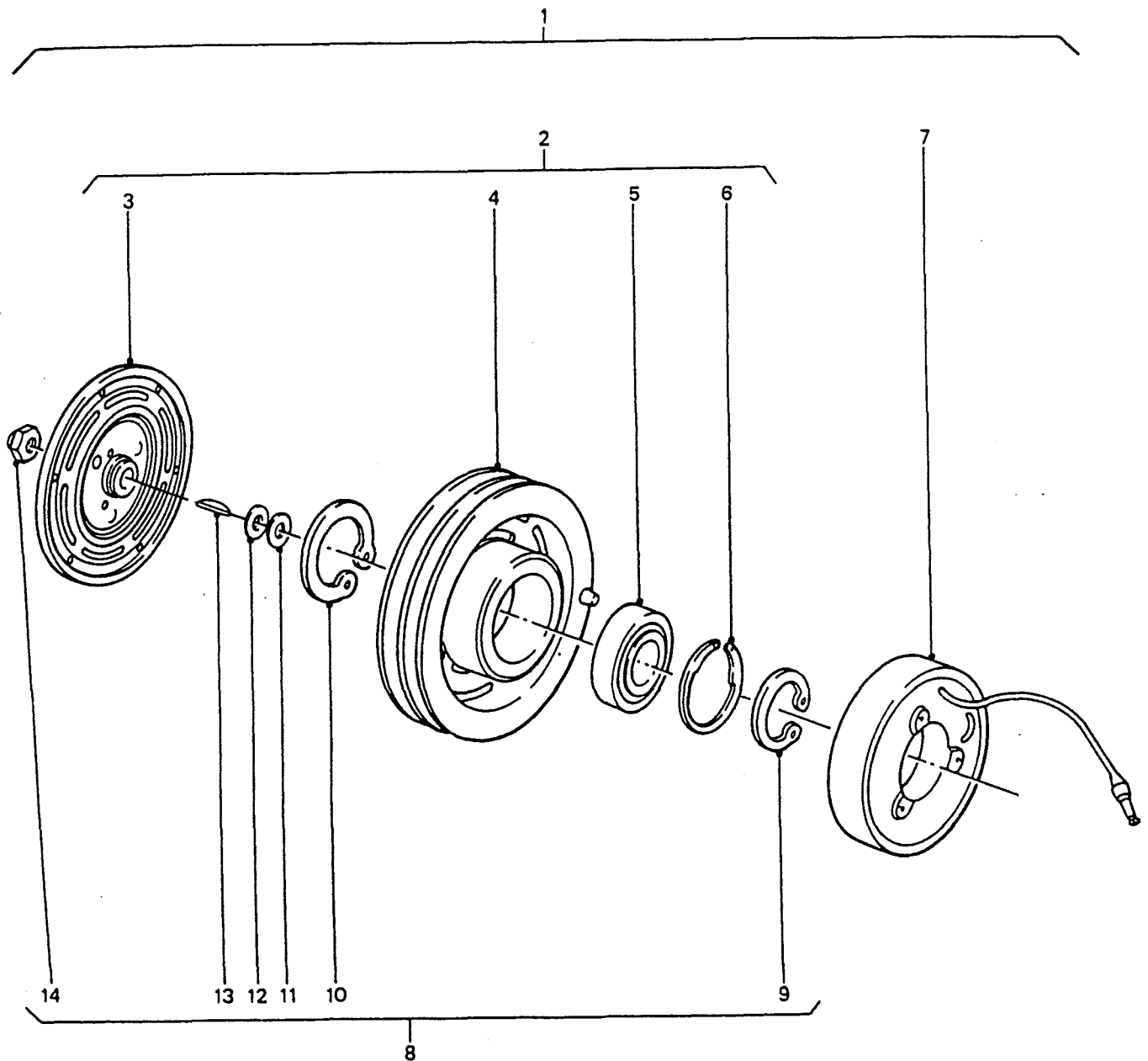
WVBB/1/1 AIR CONDITIONER CLUTCH AND PULLEY ASSEMBLY - AMBULANCE

DERIVATIVE CODE

<u>ITEM</u>	<u>ART NO.</u>	<u>DESCRIPTION</u>	<u>NSN</u>	<u>2185</u>	<u>2186</u>	<u>2208</u>	<u>2209</u>	<u>2210</u>	<u>2211</u>	<u>2212</u>	<u>2219</u>	<u>CP</u>
1	HYL9085	CLUTCH & PULLEY ASSY (INCLUDES ITEMS 2-16)	2520-66-128-5920						1			
2	HYL9086	KIT-ACCESSORY (INCLUDES ITEMS 3-11)							1			
3	NSS											
4	NSS											
5	NSS											
6	NSS											
7	NSS											
8	NSS											
9	NSS											
10	NSS											
11	NSS											
12	HYL9087	COIL-FIELD							1			
13	HYL9088	PULLEY ASSY-2 GROOVE (INCLUDES ITEMS 14-16)							1			
14	HYL9089	BEARING							1			
15	NSS											

CHANGE POINT

ARN INTRODUCTION

GROUP WVBB/2

**AIR CONDITIONER CLUTCH AND PULLEY ASSEMBLY
- ERV**

PERENTIE LAND ROVER PARTS LIST

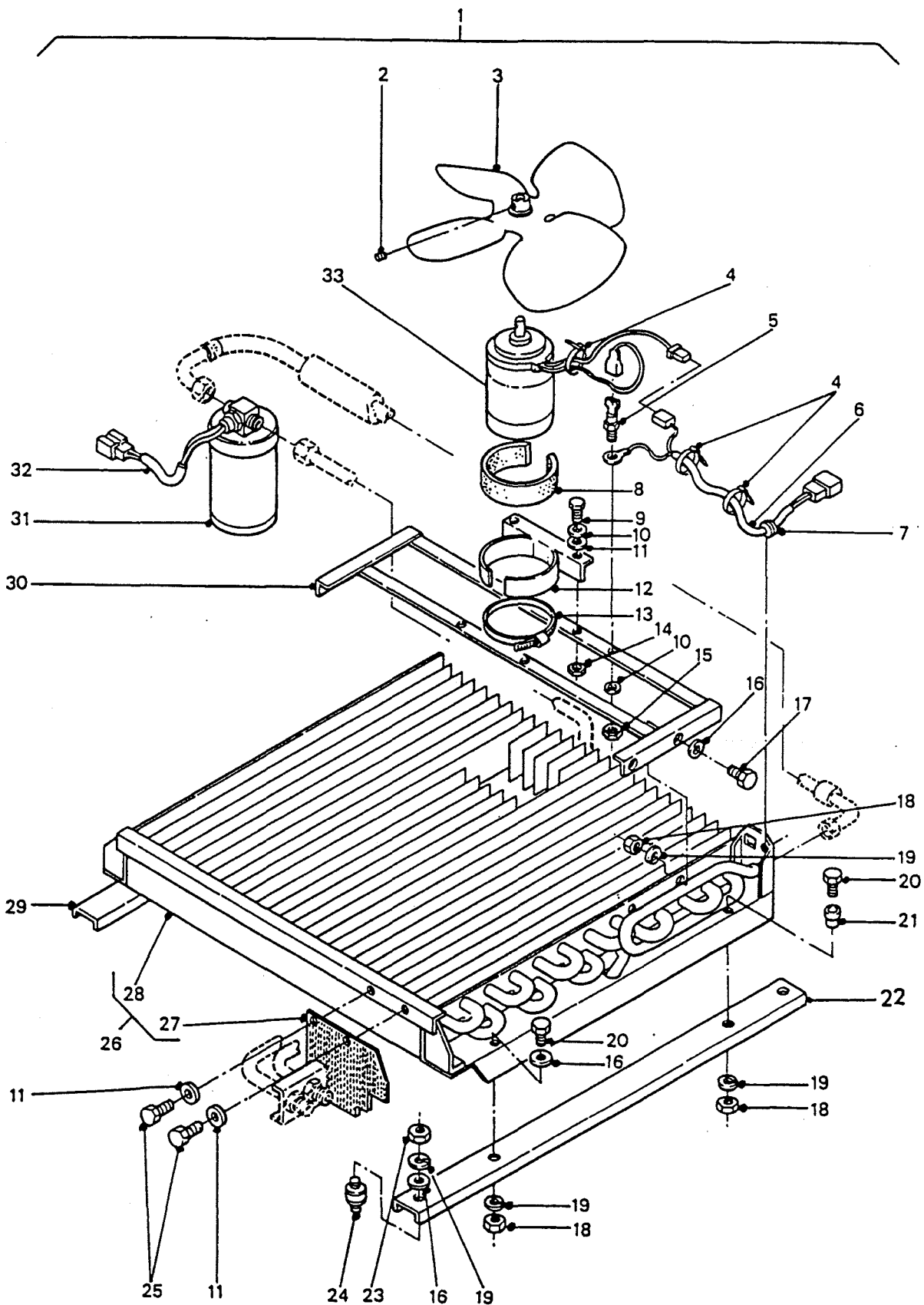
WVBB/2/1 AIR CONDITIONER CLUTCH AND PULLEY ASSEMBLY - ERV

DERIVATIVE CODE

<u>ITEM</u>	<u>PART NO.</u>	<u>DESCRIPTION</u>	<u>NSN</u>	<u>2185</u>	<u>2186</u>	<u>2208</u>	<u>2209</u>	<u>2210</u>	<u>2211</u>	<u>2212</u>	<u>2219</u>	<u>CP</u>
1	HYM292	CLUTCH ASSY (INCLUDES ITEMS 2-7)									1	
2	HYM293	PULLEY ASSY (INCLUDES ITEMS 3-6)									1	
3	NSS											
4	NSS											
5	HYM294	BEARING-BALL	3110-66-128-6112								1	
6	NSS											
7	HYM295	COIL-FIELD	5950-66-128-6069								1	
8	HYM296	KIT-PARTS (INCLUDES ITEMS 9-14)									1	
9	NSS											
10	NSS											
11	NSS											
12	NSS											
13	NSS											
14	NY112041L	NUT-NYLOC	5310-99-768-7269								1	

CHANGE POINT

ARN INTRODUCTION

GROUP WVBC/1

**AIR CONDITIONER CONDENSER ASSEMBLY
- AMBULANCE**

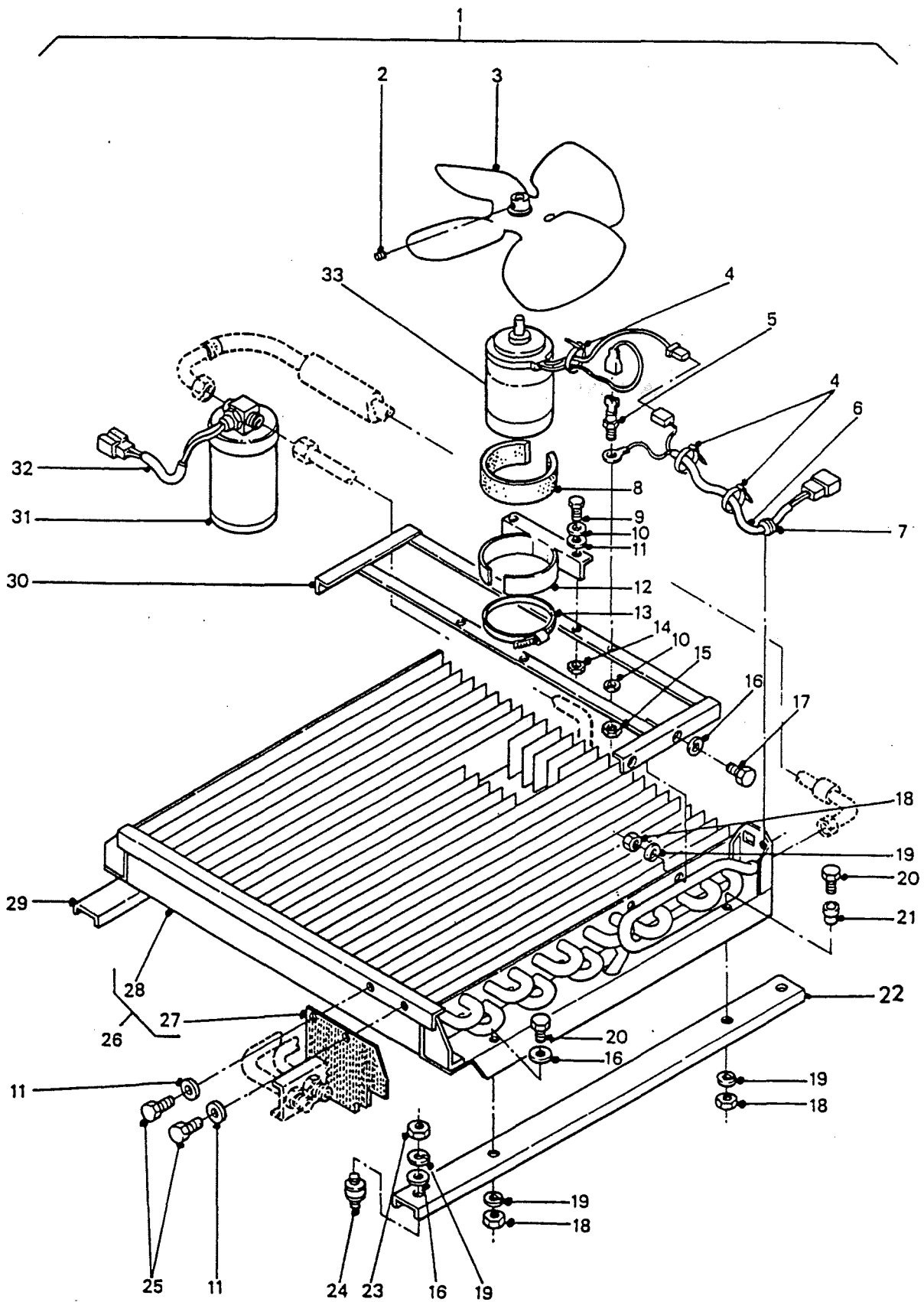
PERENTIE LAND ROVER PARTS LIST

WVBC/1/1 AIR CONDITIONER CONDENSOR ASSEMBLY - AMBULANCE

DERIVATIVE CODE

ITEM	ART NO.	DESCRIPTION	NSN	DERIVATIVE CODE								
				2185	2186	2208	2209	2210	2211	2212	2219	CP
1	HYL9232	AIR CONDITIONER ASSY (INCLUDES ITEMS 2-33)										1
2	ST106101	SCREW-GRUB										1
3	HYL9018	FAN-4 BLADES										1
4	MYH1763	CABLE TIE	5975-12-199-8964									3
5	HYL9233	DIODE-AIR CON										1
6	HYL9234	HARNESS-FAN MOTOR & DIODE TO MAIN LOOM										1
7	NSS											
8	HYL9235	INSULATION-RUBBER (19.5750)										1
9	HYL9236	SCREW										4
10	HYL9237	WASHER-LOCK										5
11	HYL9238	WASHER-PLAIN										6
12	HYL9239	BRACKET-FAN MOTOR SUPPORT										2
13	HYL9240	CLAMP-MOTOR										1
14	HYL9241	RIVNUT										4
15	NH604041L	NUT	5310-66-019-3956									1
16	WA108051L	WASHER-PLAIN	5310-99-122-6475									8
17	SH108351L	SCREW	5305-99-122-8667									2
18	FN108041	NUT	5310-99-499-8033									8
19	WL108001L	WASHER-LOCK	5310-99-138-9227									12
20	HYL9242	SCREW										4
21	HYL9243	SPACER										4
22	HYL9244	RAIL-CONDENSOR MOUNTING-LH										1
23	NH505041L	NUT										4
24	HYL9328	MOUNT-RUBBER										4
25	HYL9246	SCREW										2
26	HYL9016	CONDENSOR ASSY (INCLUDES ITEMS 27-28)										1

GROUP WVBC/1



AIR CONDITIONER CONDENSER ASSEMBLY - AMBULANCE

PERENTIE LAND ROVER PARTS LIST

WVBC/1/1 AIR CONDITIONER CONDENSOR ASSEMBLY - AMBULANCE

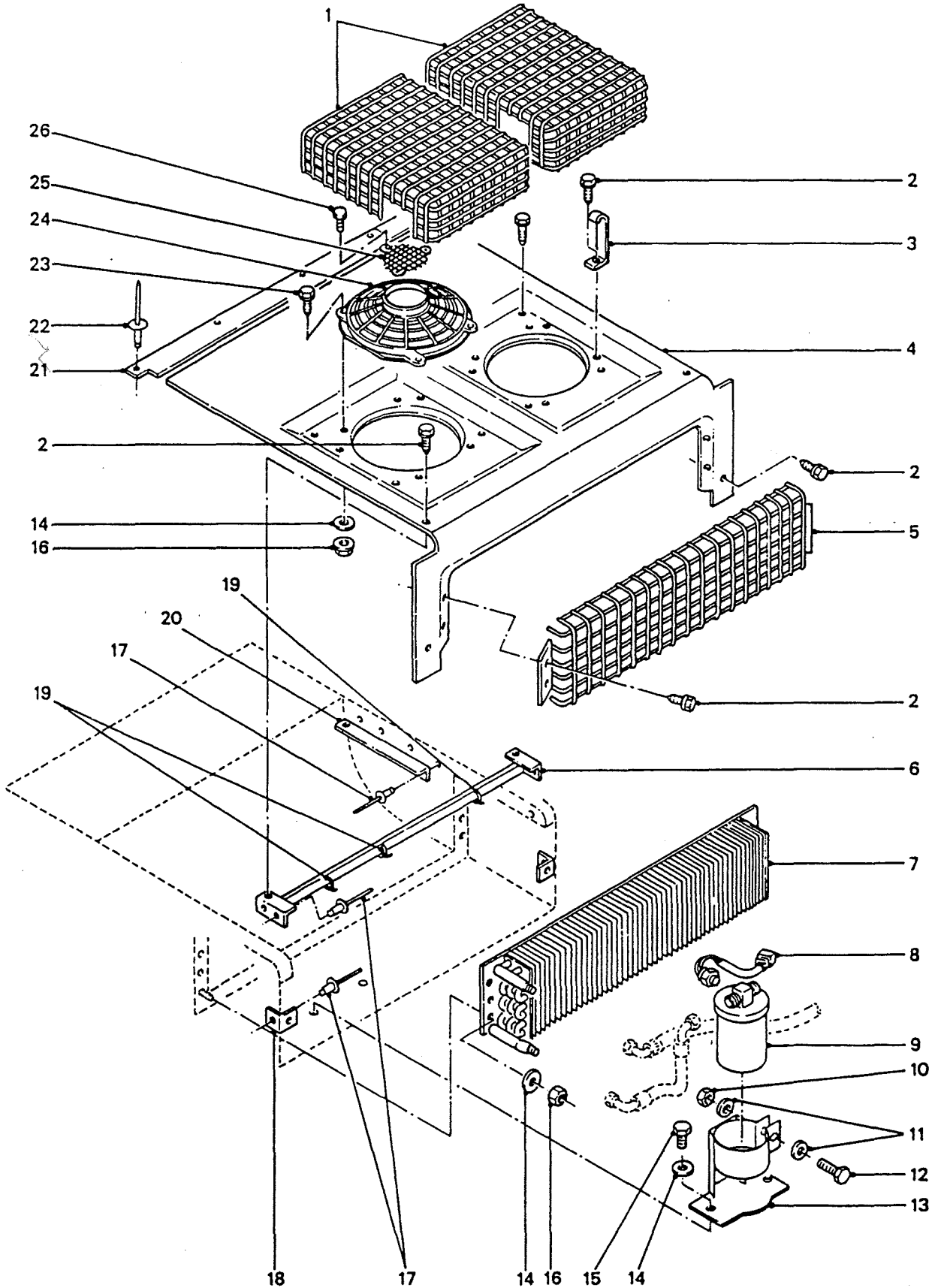
DERIVATIVE CODE

<u>ITEM</u>	<u>ART NO.</u>	<u>DESCRIPTION</u>	<u>NSN</u>	<u>2185</u>	<u>2186</u>	<u>2208</u>	<u>2209</u>	<u>2210</u>	<u>2211</u>	<u>2212</u>	<u>2219</u>	<u>CP</u>
27	NSS											
28	NSS											
29	HYL9247	RAIL-CONDENSOR MOUNTING-RH							1			
30	HYL9248	BRACKET-SUPPORT							1			
31	HYL9029	RECIEVER DRIER & SWITCH	4130-66-128-5930						1			
32	HYM741	SWITCH-PRESSURE (PART OF ITEM 31)							1			
33	HYL9017	MOTOR-FAN							1			

CHANGE POINT

ARN INTRODUCTION

GROUP WVBC/2



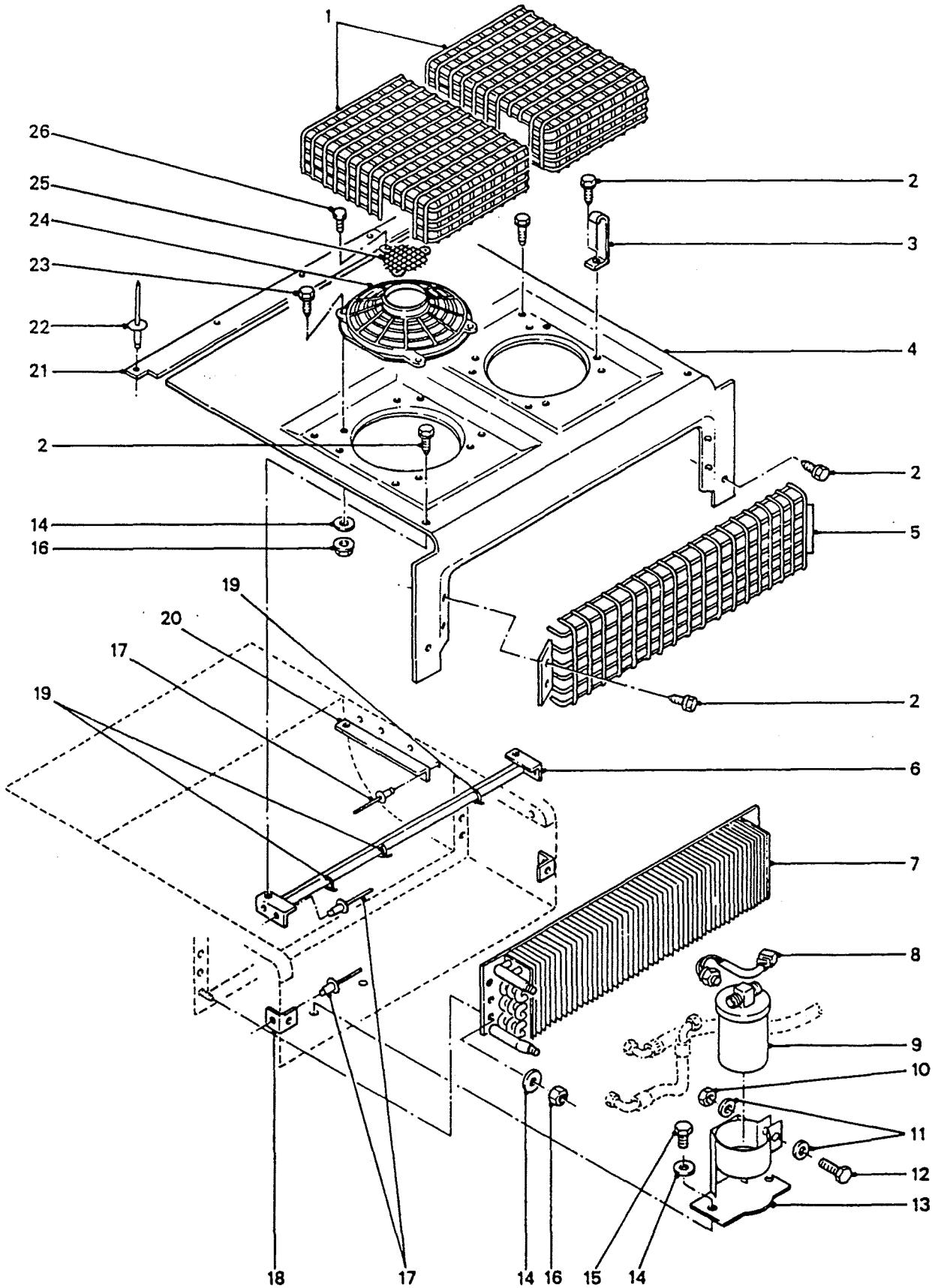
AIR CONDITIONER CONDENSER ASSEMBLY AND MOUNTINGS - ERV

PERENTIE LAND ROVER PARTS LIST

WVBC/2/1 AIR CONDITIONER CONDENSER ASSEMBLY AND MOUNTINGS - ERV
DERIVATIVE CODE

<u>ITEM</u>	<u>PART NO.</u>	<u>DESCRIPTION</u>	<u>NSN</u>	<u>2185</u>	<u>2186</u>	<u>2208</u>	<u>2209</u>	<u>2210</u>	<u>2211</u>	<u>2212</u>	<u>2219</u>	<u>CP</u>
1	HYG6522	GRILLE-TOP-CONDENSOR									2	
2	MYH3337	SCREW	5305-66-128-5341								26	
3	HYM281	BRACKET-GRILLE SECURING									8	
4	HYM282	COVER-CONDENSER									1	
5	HYM283	GRILLE-FRONT									1	
6	HYM284	BRACKET-COVER MOUNTING									1	
7	HYM285	CONDENSER									1	
8	HYM286	SWITCH-PRESSURE- HIGH/LOW									1	
9	HYL9029	RECEIVER DRIER	4130-66-128-5930								1	
10	NY108041L	NUT-NYLOC	5310-99-122-5496								1	
11	WA108051L	WASHER-PLAIN	5310-99-122-6475								2	
12	FS108251	SCREW	5305-99-122-5367								1	
13	HYM287	BRACKET-MOUNTING -RECEIVER DRIER									1	
14	WA106001L	WASHER-PLAIN									16	
15	FS106201	SCREW	5305-99-122-5361								2	
16	NY106041L	NUT-NYLOC	5310-99-138-8423								14	
17	HYL9945	POP RIVET									11	
18	HYM288	BRACKET -COWL SECURING									2	
19	MYH1763	CABLE TIE	5975-12-199-8964								3	
20	HYM289	BRACKET-COVER PANEL MOUNTING									2	
21	HYM290	PANEL-COVER-REAR									1	
22	HYL9927	POP RIVET									5	
23	SE106251L	SCREW	5305-99-135-0442								8	
24	HYM273	GUARD-FAN ASSY									2	

GROUP WVBC/2



AIR CONDITIONER CONDENSER ASSEMBLY AND MOUNTINGS - ERV

PERENTIE LAND ROVER PARTS LIST

WVBC/2/1 AIR CONDITIONER CONDENSER ASSEMBLY AND MOUNTINGS - ERV
DERIVATIVE CODE

ITEM PART NO. DESCRIPTION NSN 2185 2186 2208 2209 2210 2211 2212 2219 CP

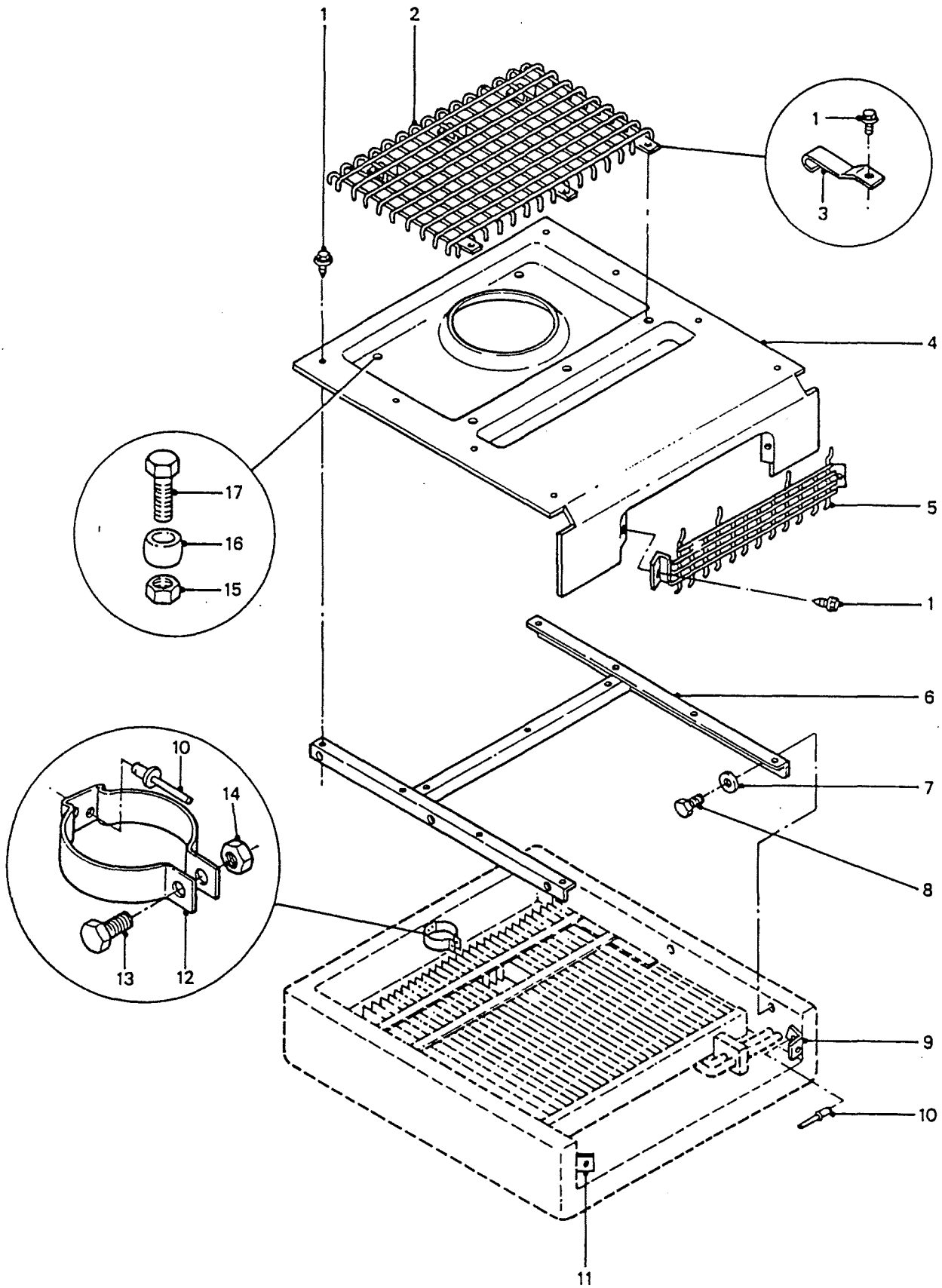
25 NSS

26 NSS

CHANGE POINT

ARN INTRODUCTION

GROUP WVBD



AIR CONDITIONER CONDENSER MOUNTINGS - AMBULANCE

PERENTIE LAND ROVER PARTS LIST

WVBD/1/1 AIR CONDITIONER CONDENSOR MOUNTINGS - AMBULANCE

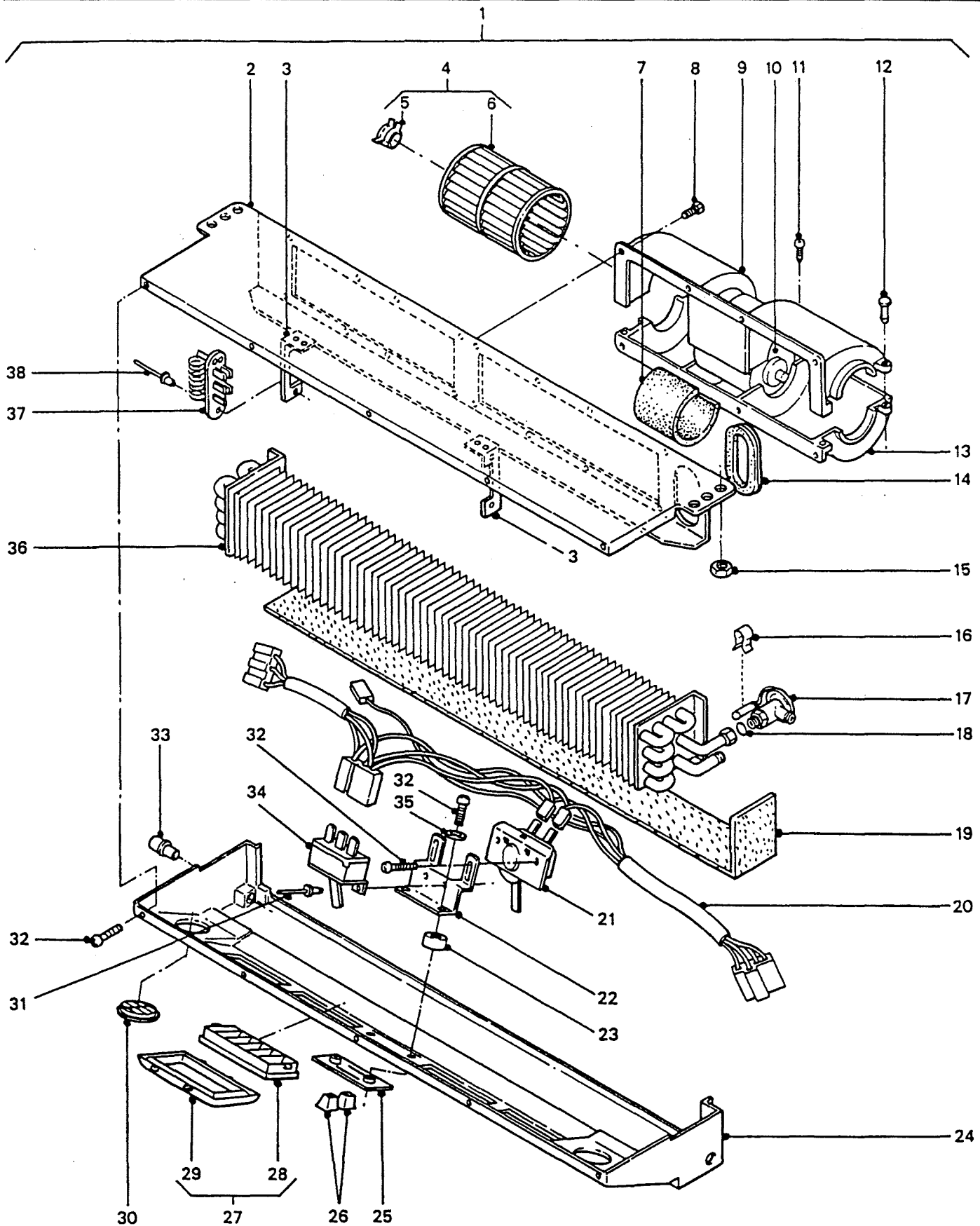
DERIVATIVE CODE

<u>ITEM</u>	<u>PART NO.</u>	<u>DESCRIPTION</u>	<u>NSN</u>	<u>2185</u>	<u>2186</u>	<u>2208</u>	<u>2209</u>	<u>2210</u>	<u>2211</u>	<u>2212</u>	<u>2219</u>	<u>CP</u>
1	MYH3337	SCREW	5305-66-128-5341					4				
2	HYL9224	GRILLE-COVER						1				
3	HYL9225	CLIP-GRILLE						4				
4	HYL9226	PANEL-COVER						1				
5	HYL9227	GRILLE-COVER						1				
6	HYL9228	BRACKET-COVER						1				
7	WA108051L	WASHER-PLAIN	5310-99-122-6475					6				
8	BH108051	BOLT						6				
9	HYL9229	BRACKET-COWL SECURING-RH						1				
10	HYL9965	POP RIVET						4				
11	HYL9230	BRACKET-COWL						1				
12	HYL9231	CLAMP-RECIEVER DRIER						1				
13	FS108251	SCREW	5305-99-122-5367					1				
14	FN108041	NUT	5310-99-499-8033					1				
15	NY206041	NUT-NYLOC						4				
16	HYL9266	BUFFER-RUBBER						4				
17	BT206301	BOLT						4				

CHANGE POINT

ARN INTRODUCTION

GROUP WVBE



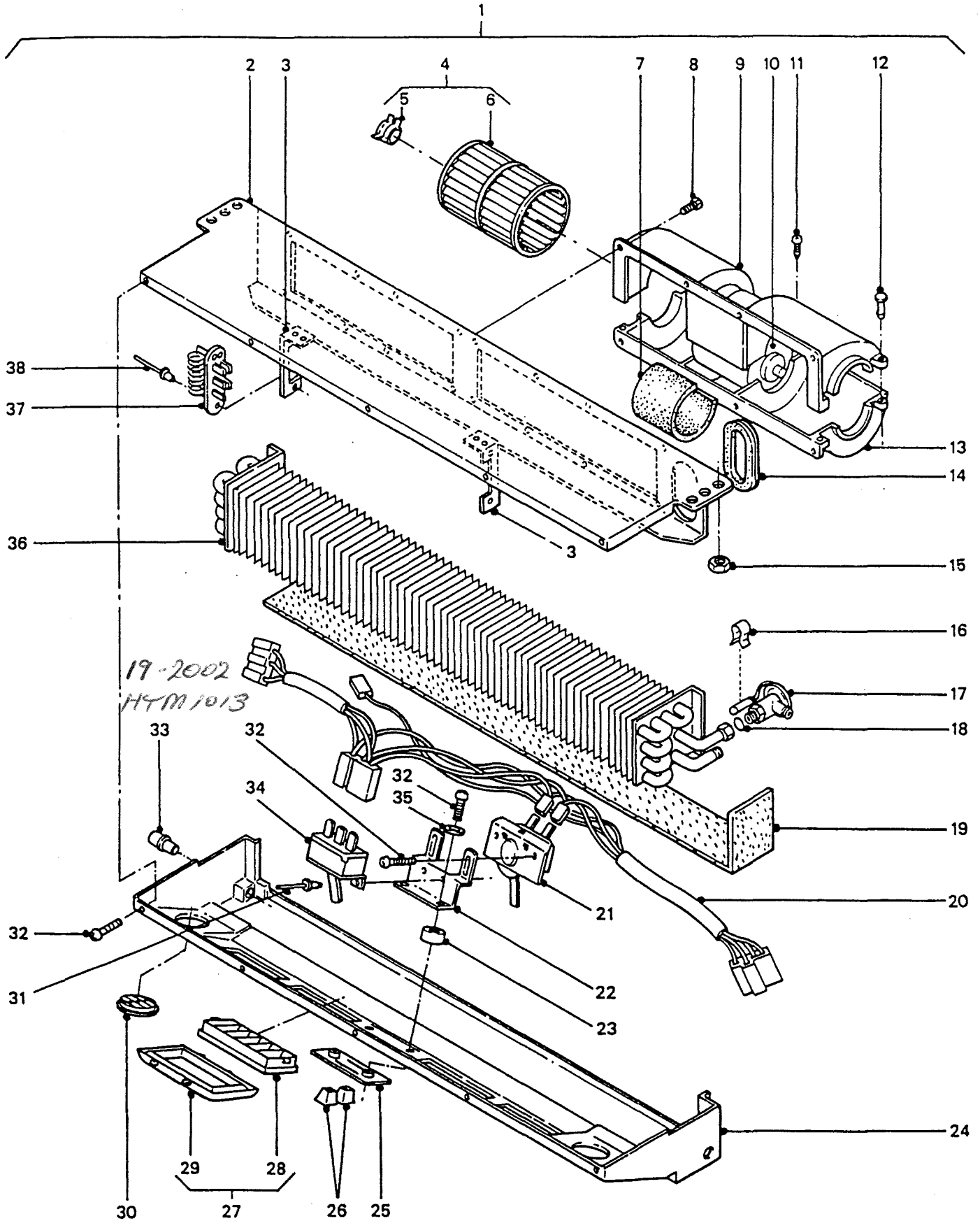
**AIR CONDITIONER EVAPORATOR ASSEMBLY
- AMBULANCE AND ERV**

PERENTIE LAND ROVER PARTS LIST

WVBE/1/1 AIR CONDITIONER EVAPORATOR ASSEMBLY - AMBULANCE & ERV
DERIVATIVE CODE

<u>ITEM</u>	<u>PART NO.</u>	<u>DESCRIPTION</u>	<u>NSN</u>	<u>2185</u>	<u>2186</u>	<u>2208</u>	<u>2209</u>	<u>2210</u>	<u>2211</u>	<u>2212</u>	<u>2219</u>	<u>CP</u>
1	HYL9019	EVAPORATOR ASSY (INCLUDES ITEMS 2-14, 16-38)				1		1				
2	NSS											
3	HYL9249	BRACKET-RESISTOR MOUNTING				2		2				
4	HYL9250	WHEEL-BLOWER				2		2				
5	NSS											
6	NSS											
7	HYL9235	INSULATION				2		2				
8	HYL9252	SCREW				16		16				
9	HYL9253	SCROLL-BLOWER-TOP				2		2				
10	BYG9325	MOTOR-EVAPORATOR -DOUBLE SHAFT				2		2				
11	HYL9254	SCREW				8		8				
12	HYL9255	PIN-SNAP				12		12				
13	HYL9256	SCROLL-BLOWER-BOTTOM				2		2				
14	HYL9257	GROMMET-OVAL				1		1				
15	NY106041L	NUT-NYLOC	5310-99-138-8423			6		6				
16	NSS											
17	HYL9026	VALVE-TX				1		1				
18	HYL9258	O RING	5330-66-128-6087			1		1				
19	HYL9259	FILTER-SCREEN				2		2				
20	HYL9260	HARNESS ASSY-WIRE				1		1				
21	HYL9022	SWITCH-THERMOSTAT -SLIDE				1		1				
22	HYL9262	BRACKET-SWITCH MOUNTING				1		1				
23	HYL9243	SPACER				4		4				
24	HYL9263	DRAIN PAN/BEZEL				1		1				

GROUP WVBE



**AIR CONDITIONER EVAPORATOR ASSEMBLY
- AMBULANCE AND ERV**

PERENTIE LAND ROVER PARTS LIST

WVBE/1/1 AIR CONDITIONER EVAPORATOR ASSEMBLY - AMBULANCE & ERV

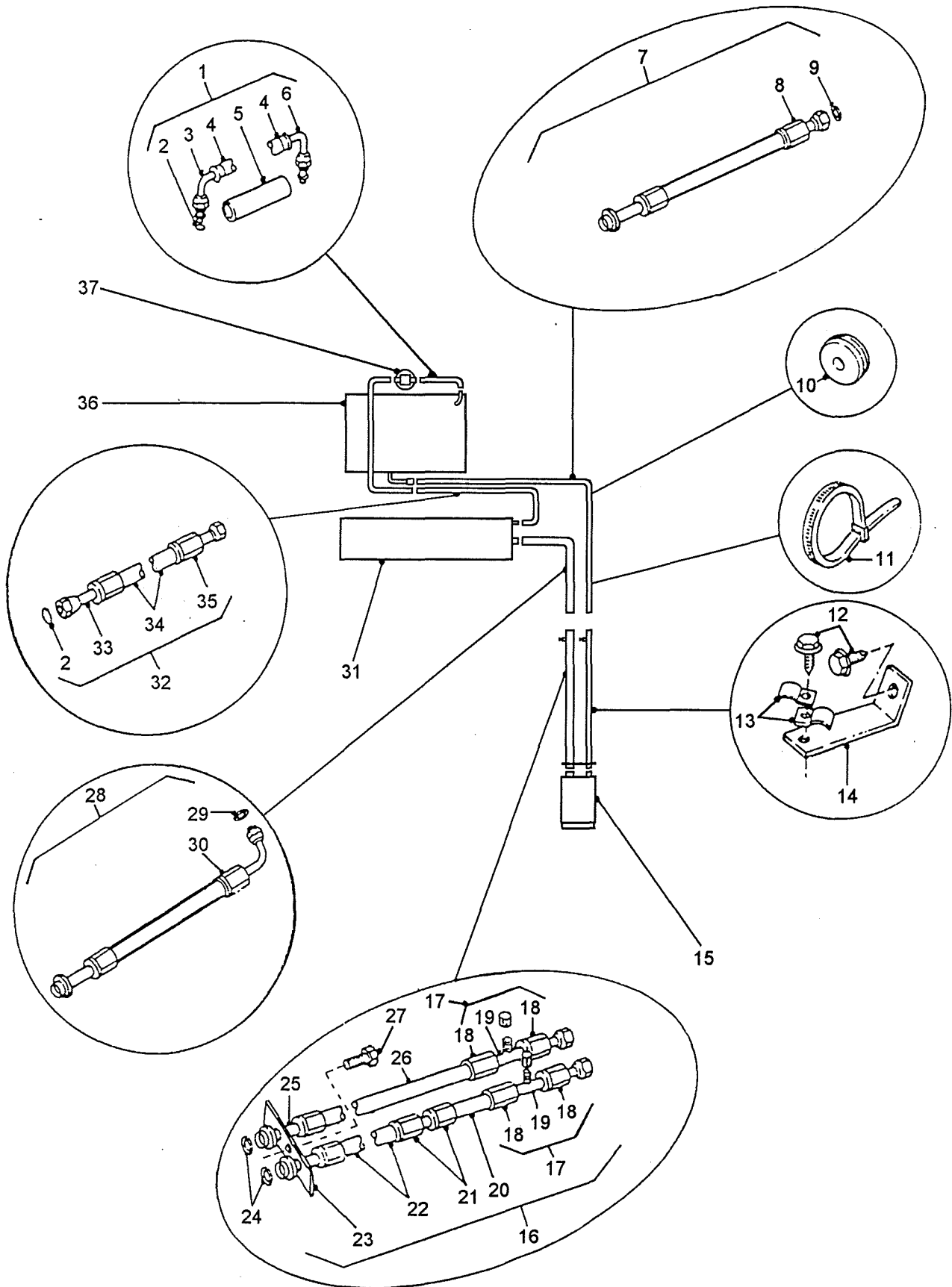
DERIVATIVE CODE

<u>ITEI</u>	<u>PART NO.</u>	<u>DESCRIPTION</u>	<u>NSN</u>	<u>2185</u>	<u>2186</u>	<u>2208</u>	<u>2209</u>	<u>2210</u>	<u>2211</u>	<u>2212</u>	<u>2219</u>	<u>CP</u>
25	HYL9265	DECAL-SWITCH PLATE				1		1				
26	HYL9562	KNOB-SWITCH				2		2				
27	HYL9023	LOUVRE ASSY (INCLUDES ITEMS 28-29)				4		4				
28	NSS					1		1				
29	NSS											
30	HYL9024	VENT-ROUND				2		2				
31	NSS											
32	AB606044	SCREW				9		9				
33	NSS											
34	HYL9021	SWITCH FAN-4 SPEED				1		1				
35	WA105001L	WASHER-PLAIN	5310-99-122-3032			2		2				
36	HYL9027	COIL-EVAPORATOR				1		1				
37	HYL9036	RESISTOR				2		2				
38	NSS					4		4				
	HYL9261	FUSE-IN-LINE, 25AMP				1		1				
	HYL9264	INSULATION-BEZEL				3		3				

CHANGE POINT

ARN INTRODUCTION

GROUP WVC/1



AIR CONDITIONER HOSES AND FITTINGS - AMBULANCE

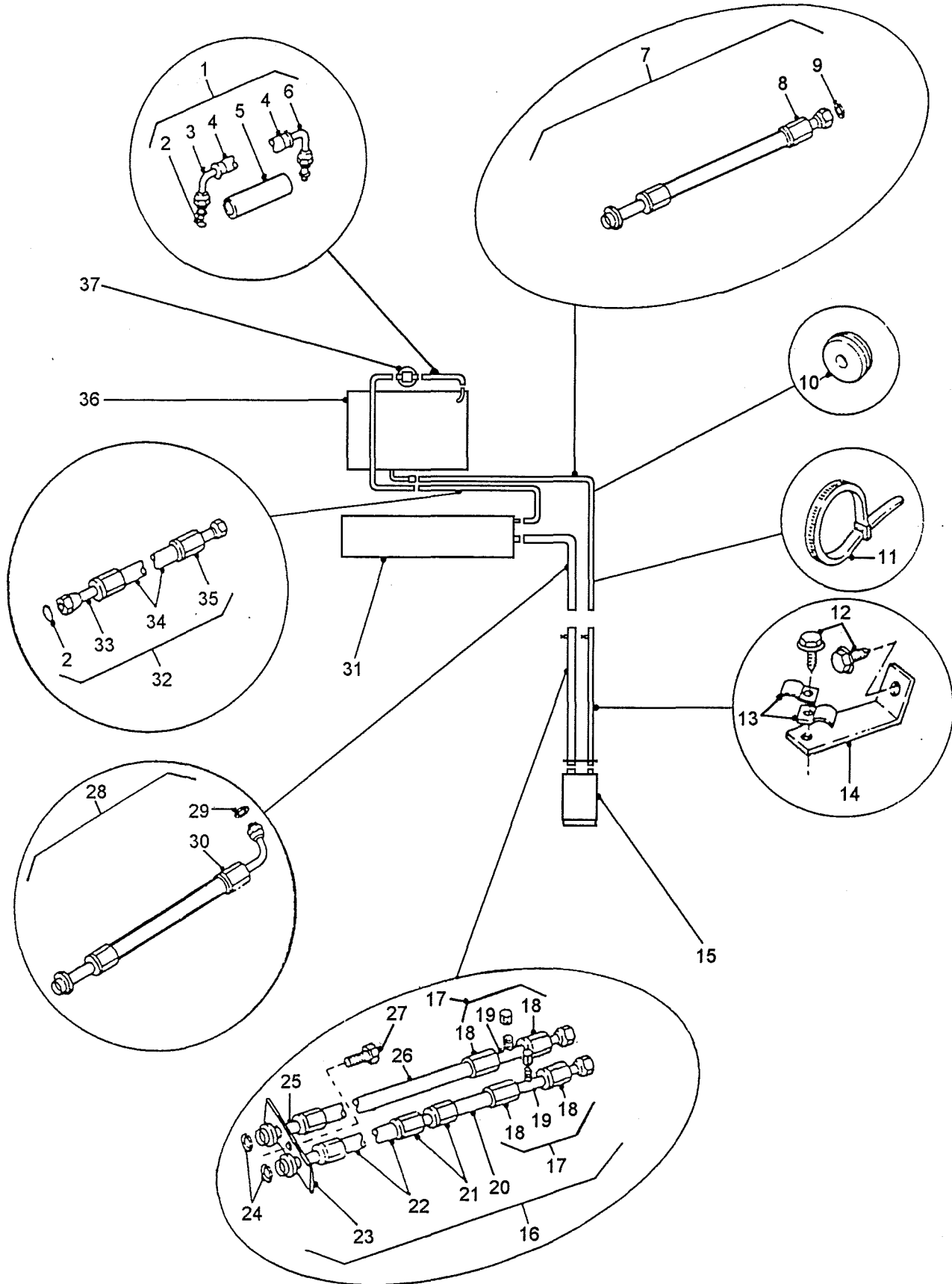
PERENTIE LAND ROVER PARTS LIST

WVC /1/1 AIR CONDITIONER HOSES AND FITTINGS - AMBULANCE

DERIVATIVE CODE

ITEM	PART NO.	DESCRIPTION	NSN	DERIVATIVE CODE								
				2185	2186	2208	2209	2210	2211	2212	2219	CP
1	HYL9032	HOSE ASSY	4720-66-128-6144									1
2	HYL9271	O RING	5330-66-128-6081									2
3	NSS											
4	NSS											
5	HYL9273	INSULATION										1
6	NSS											
7	AYG567	HOSE ASSY-DISCHARGE										1
8	NSS											
9	HYL9258	O RING	5330-66-128-6087									1
10	HYL9270	GROMMET										4
11	R568680	CABLE TIE	5340-99-195-5122									1
12	HYL9280	SCREW										2
13	HYL9269	CLAMP										2
14	HYL9268	BRACKET										1
15	AYG497	COMPRESSOR (REFER GROUP WVB/1)	4310-66-128-5921									1
16	AYG566	HOSE ASSY	4720-66-128-6145									1
17	NSS											2
18	NSS											
19	NSS											
20	NSS											
21	NSS											
22	NSS											
23	NSS											
24	HYL9272	O RING	5330-66-021-6691									2
25	NSS											
26	NSS											
27	BH606401L	BOLT										1
28	AYG568	HOSE ASSY-SUCTION										1
29	HYL9267	O RING	5330-66-128-6089									1

GROUP WVC/1



AIR CONDITIONER HOSES AND FITTINGS - AMBULANCE

MSH 737



MSH 716



MSH 718



MCH 737



MCH 716



MCH 718



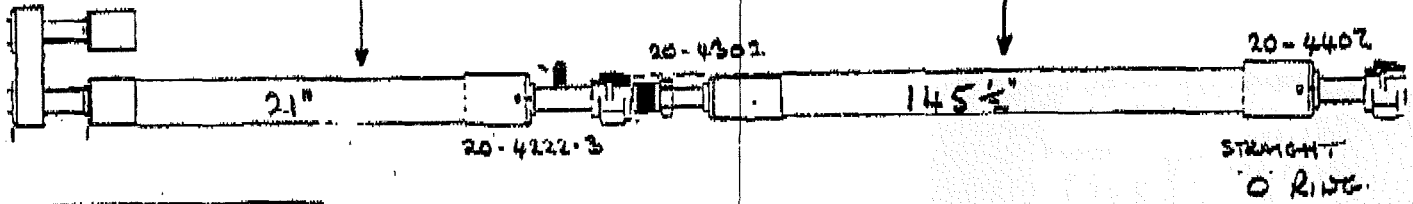
08 8259 7844

20-6082. JAVAN'S ARMY AMBULANCE 6x6 LAND ROVER No 8 Hose

GPI STRAIGHT
20-4748

P/No 20-6074

20-6075



No 8 Hose

Dimensions.
P/No added to individual
Hoses. 17.10.96
RB.

CONTROLLED
UNCONTROLLED
APPROVED *[Signature]*
DATE 17.10.96

DELIVERY DOCKET NUMBER:	
SYSTEM NUMBER:	
QUANTITY:	
DATE REQUIRED	RAISED BY:
	DATE:

FIRST OFF SAMPLE CHECK	3/8" ALLOY	YES	NO
...	1/2" ALLOY	YES	NO
...	5/8" ALLOY	YES	NO
...	No 6 HOSE	YES	NO
...	No 8 HOSE	YES	NO
...	No 10 HOSE	YES	NO

CLEANED	YES	NO
---------	-----	----

INSPECTED BY:	DATE:
---------------	-------

COMPLETED HSE KIT TO STORE

ACCEPTED BY:

REVISION: 1

AMC013
ISSUE: A



BY APPOINTMENT
TO HER MAJESTY THE QUEEN
MANUFACTURERS OF ROVER CARS
LAND ROVERS AND RANGE ROVERS
ROVER GROUP LTD COVENTRY



BY APPOINTMENT
TO HER MAJESTY THE QUEEN
MANUFACTURERS OF
LAND ROVERS AND RANGE ROVERS
ROVER GROUP LTD COVENTRY



BY APPOINTMENT
TO HER MAJESTY THE QUEEN
MANUFACTURERS OF LAND ROVERS
ROVER GROUP LTD COVENTRY



BY APPOINTMENT
TO HER MAJESTY THE QUEEN
MANUFACTURERS OF
LAND ROVERS AND RANGE ROVERS
ROVER GROUP LTD COVENTRY

ROVER AUSTRALIA

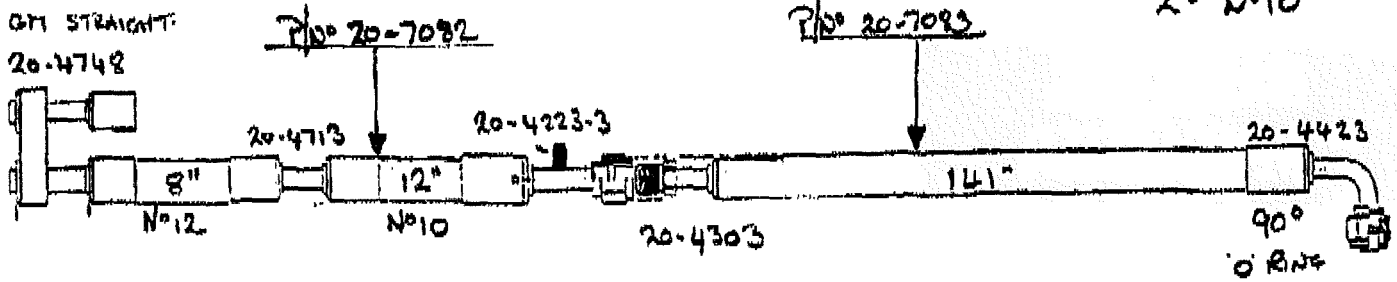


MARKETING NEWSLETTER

Rover Australia Pty Limited A.C.N. 004 352 238
12 Riverside Centre 148-308 James Ruse Drive
Parramatta NSW 2150 Telephone: 02 685 5111
P.O. Box 3846 Parramatta NSW 2124
Fax: 02 687 2266 - Sales 02 687 2288 - Parts

20-7093 JAKAB'S ARMY AIRBORNE 6x6 LAND ROVER No 10 Hose

- O RINGS
- 2 - GM
- 2 - No 8
- 2 - No 10



No 10 Hose

REVISIONS.
 P/ops moved to individual hoses 17.10.96 RB.

CONTROLLED DOCUMENT
UNCONTROLLED
 DATE 17.10.96

DELIVERY DOCKET NUMBER:	
SYSTEM NUMBER:	
QUANTITY:	
DATE REQUIRED	RAISED BY:
	DATE:

FIRST OFF SAMPLE CHECK	3/8" ALLOY	YES	NO
...	1/2" ALLOY	YES	NO
...	5/8" ALLOY	YES	NO
...	No 6 HOSE	YES	NO
...	No 8 HOSE	YES	NO
...	No 10 HOSE	YES	NO

CLEANED	YES	NO
---------	-----	----

INSPECTED BY:	DATE:
---------------	-------

COMPLETED HSE KIT TO STORE

ACCEPTED BY:



BY APPOINTMENT
TO HER MAJESTY THE QUEEN
MANUFACTURERS OF ROVER CARS
LAND ROVERS AND RANGE ROVERS
ROVER GROUP LTD COVENTRY



BY APPOINTMENT
TO HIS MAJESTY THE DUKE OF EDINBURGH
MANUFACTURERS OF
LAND ROVERS AND RANGE ROVERS
ROVER GROUP LTD COVENTRY



BY APPOINTMENT
TO HER MAJESTY THE QUEEN MOTHER
MANUFACTURERS OF LAND ROVERS
ROVER GROUP LTD COVENTRY



BY APPOINTMENT
TO HIS MAJESTY THE PRINCE OF WALES
MANUFACTURERS OF
LAND ROVERS AND RANGE ROVERS
ROVER GROUP LTD COVENTRY

ROVER AUSTRALIA



MARKETING NEWSLETTER

Rover Australia Pty Limited A.C.N. 004 352 238
12 Riverside Centre 148-308 James Ruse Drive
Parramatta NSW 2150 Telephone: 02 685 5111
P.O. Box 3846 Parramatta NSW 2124
Fax: 02 687 2266 - Sales 02 687 2288 - Parts

PERENTIE LAND ROVER PARTS LIST

WVC /1/1 AIR CONDITIONER HOSES AND FITTINGS - AMBULANCE

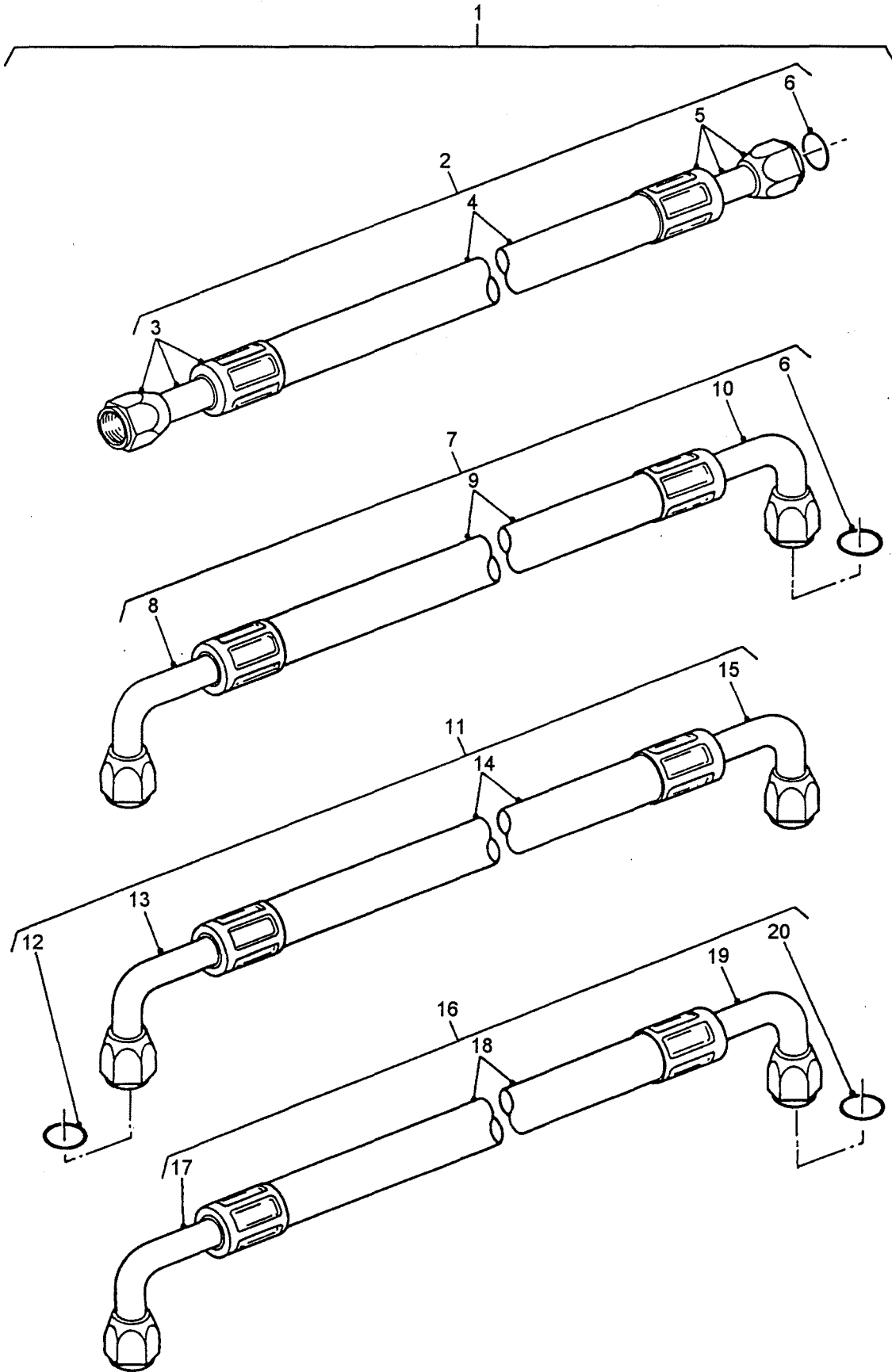
DERIVATIVE CODE

ITEM	PART NO.	DESCRIPTION	NSN	DERIVATIVE CODE								
				2185	2186	2208	2209	2210	2211	2212	2219	CP
30	NSS											
31	HYL9019	EVAPORATOR ASSY (REFER GROUP WVBE)						1				
32	HYL9031	HOSE ASSY	4720-66-128-6143					1				
33	NSS							1				
34	NSS							1				
35	NSS							1				
36	HYL9016	CONDENSOR ASSY (REFER GROUP WVBC/1)						1				
37	HYL9029	RECIEVER DRIER (REFER GROUP WVBC/1)	4130-66-128-5930					1				

CHANGE POINT

ARN INTRODUCTION

GROUP WVC/2



**AIR CONDITIONING HOSES AND FITTINGS
- ERV**

PERENTIE LAND ROVER PARTS LIST

WVC /2/1 AIR CONDITIONER HOSES AND FITTINGS - ERV

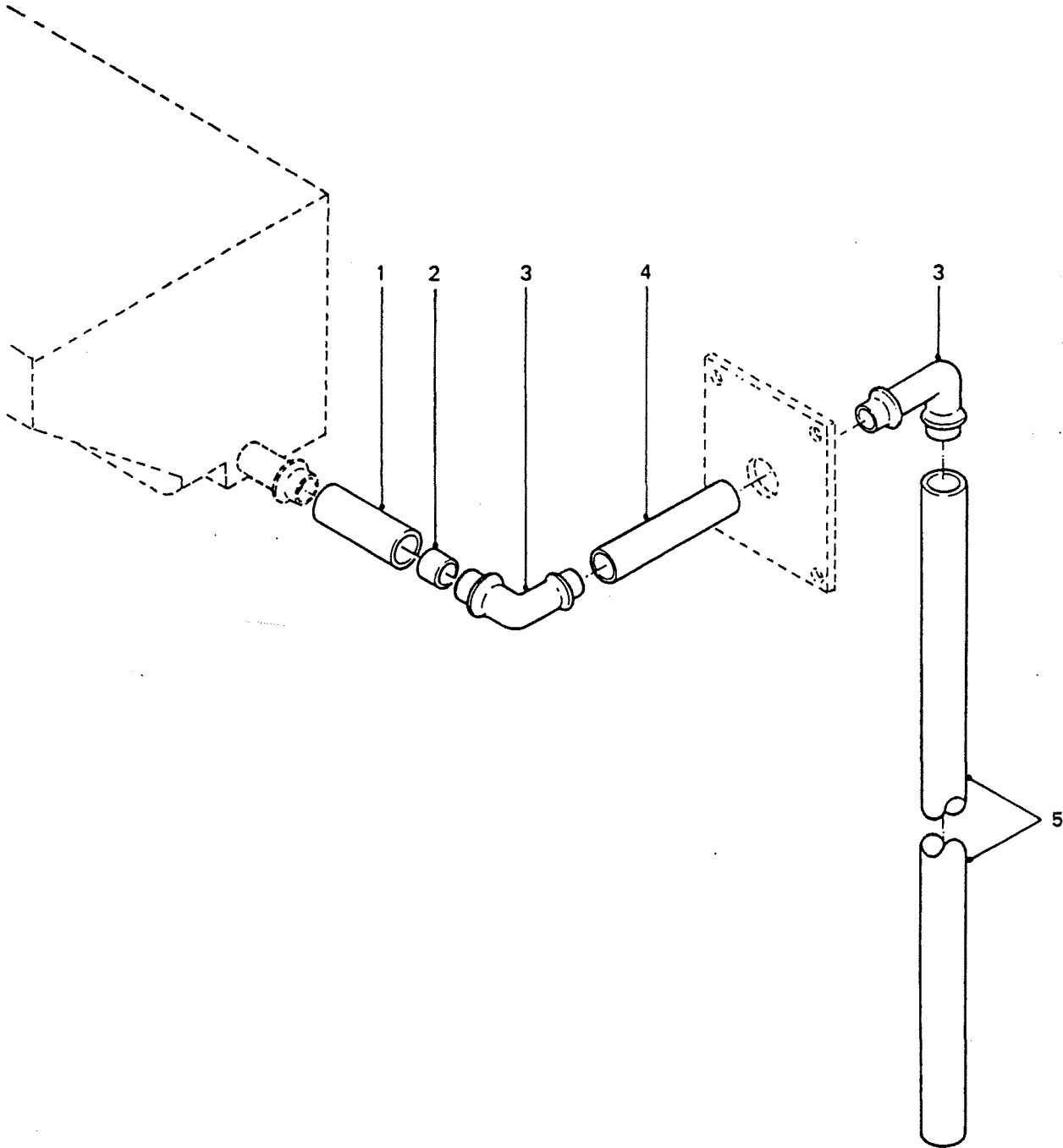
DERIVATIVE CODE

ITEM	PART NO.	DESCRIPTION	NSN	DERIVATIVE CODE									
				2185	2186	2208	2209	2210	2211	2212	2219	CP	
1	HYM215	KIT-HOSE ASSY-AIR COND											1
2	HYM216	HOSE-AIR COND (INCLUDES ITEMS 3-6)	4720-66-128-6080										1
3	NSS												
4	NSS												
5	NSS												
6	HYL9271	O RING	5330-66-128-6081										2
7	HYM217	HOSE-AIR COND (INLCUDES ITEMS 6,8-10)	4720-66-128-6085										1
8	NSS												
9	NSS												
10	NSS												
11	HYM218	HOSE-COMPRESSOR TO CONDENSOR (INCLUDES ITEMS 12-15)	4720-66-128-6086										1
12	HYL9258	O RING	5330-66-128-6087										1
13	NSS												
14	NSS												
15	NSS												
16	HYM219	HOSE-COMPRESSOR TO EVAPORATOR (INCLUDES ITEMS 17-20)	4720-66-128-6088										1
17	NSS												
18	NSS												
19	NSS												
20	HYL9267	O RING	5330-66-128-6089										1

CHANGE POINT

ARN INTRODUCTION

GROUP WVCA



**AIR CONDITIONER DRAIN HOSES AND FITTINGS
- AMBULANCE & ERV**

PERENTIE LAND ROVER PARTS LIST

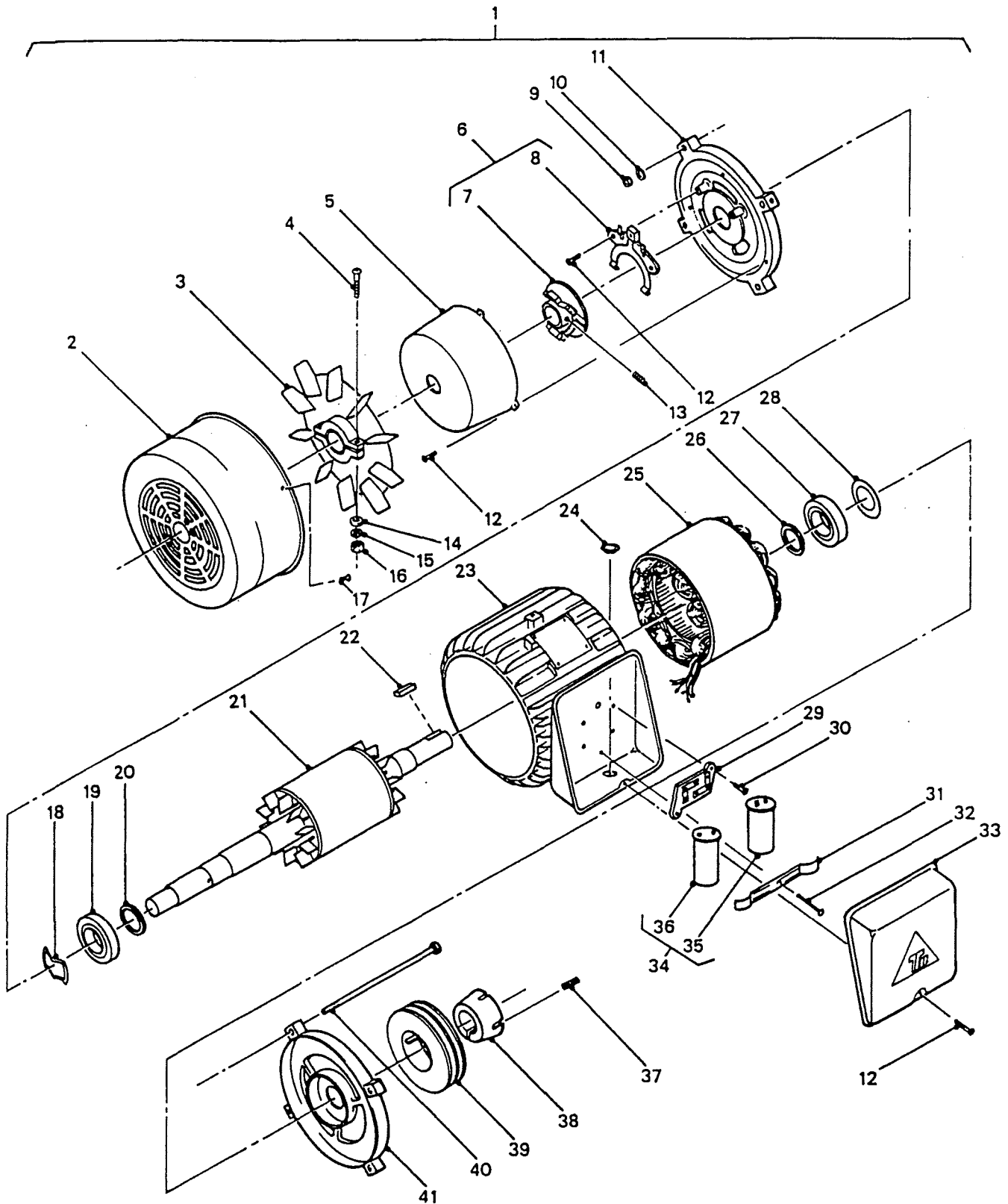
WVCA/1/1 AIR CONDITIONER DRAIN HOSES AND FITTINGS - AMBULANCE & ERV
DERIVATIVE CODE

<u>ITE.</u>	<u>PART NO.</u>	<u>DESCRIPTION</u>	<u>NSN</u>	<u>2185</u>	<u>2186</u>	<u>2208</u>	<u>2209</u>	<u>2210</u>	<u>2211</u>	<u>2212</u>	<u>2219</u>	<u>CP</u>
1	NSS	10 mm 19-2200 HYM1015 100M ROLL										
2	NSS											
3	HYL9313	ELBOW				2			2			
4	NSS											
5	NSS	13 mm 19-2100 HYM1014 100M ROLL										

CHANGE POINT

ARN INTRODUCTION

GROUP WVD



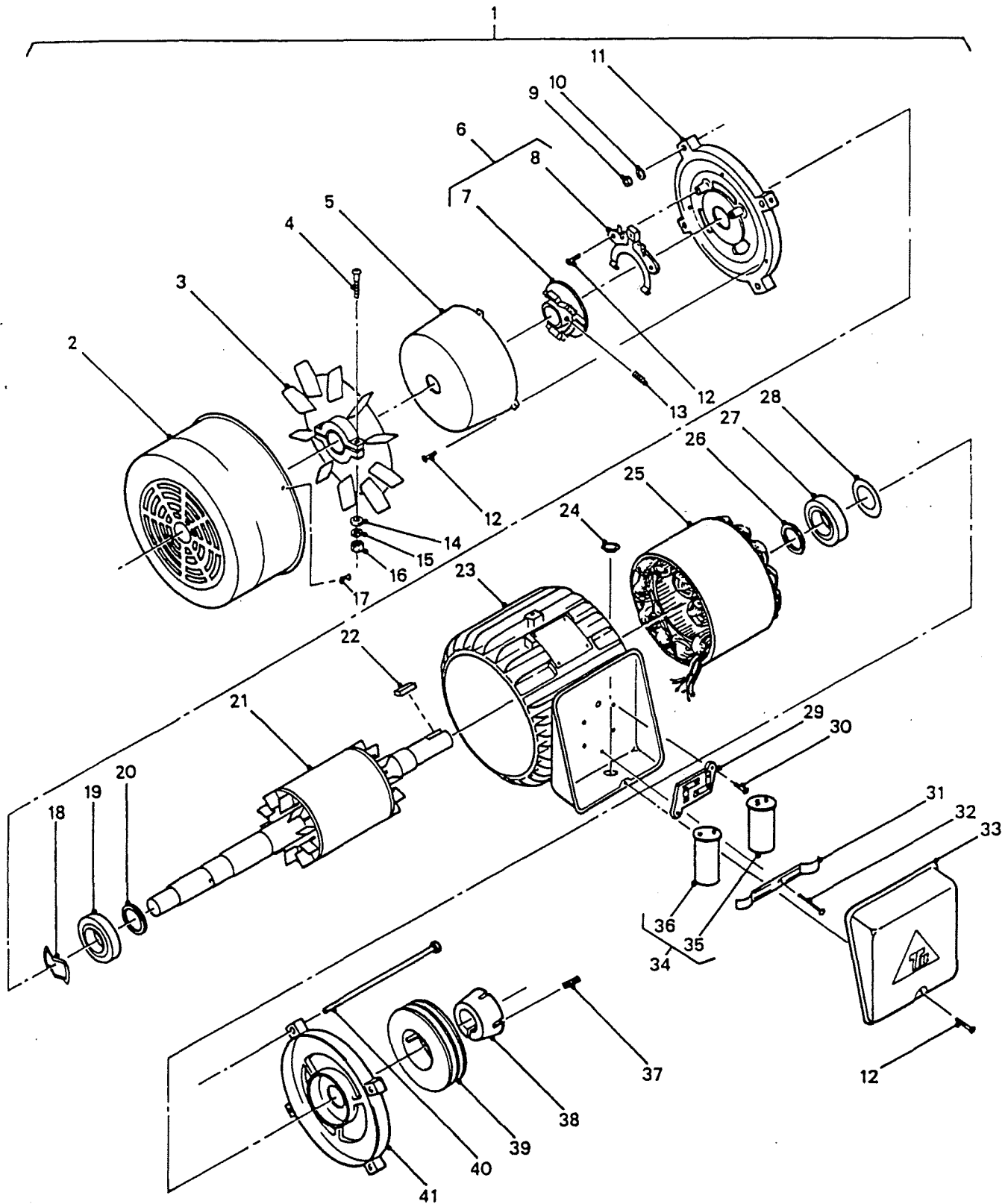
**AIR CONDITIONER DRIVE MOTOR ASSEMBLY
- ERV**

PERENTIE LAND ROVER PARTS LIST

WVD /1/1 AIR CONDITIONER DRIVE MOTOR ASSEMBLY - ERV

ITEM	PART NO.	DESCRIPTION	NSN	DERIVATIVE CODE									
				2185	2186	2208	2209	2210	2211	2212	2219	CP	
1	HYM190	MOTOR ASSY-DRIVE (INCLUDES ITEMS 2-41)										1	
2	NSS												
3	HYM191	FAN										1	
4	SE105251L	SCREW										2	
5	NSS												
6	HYM192	SWITCH ASSY- CENTRIFUGAL										1	
7	NSS												
8	NSS												
9	FN108041	NUT	5310-99-499-8033									4	
10	WL108001L	WASHER-LOCK	5310-99-138-9227									4	
11	NSS												
12	SE104081	SCREW										5	
13	NSS												
14	WA105001L	WASHER-PLAIN	5310-99-122-3032									2	
15	WL105001L	WASHER-LOCK	5310-99-977-1102									2	
16	NH105041L	NUT	5310-66-098-4400									2	
17	NSS												
18	NSS												
19	HYM193	BEARING										1	
20	NSS												
21	NSS												
22	NSS												
23	NSS												
24	NSS												
25	NSS												
26	NSS												
27	HYM194	BEARING										1	
28	NSS												

GROUP WVD



**AIR CONDITIONER DRIVE MOTOR ASSEMBLY
- ERV**

PERENTIE LAND ROVER PARTS LIST

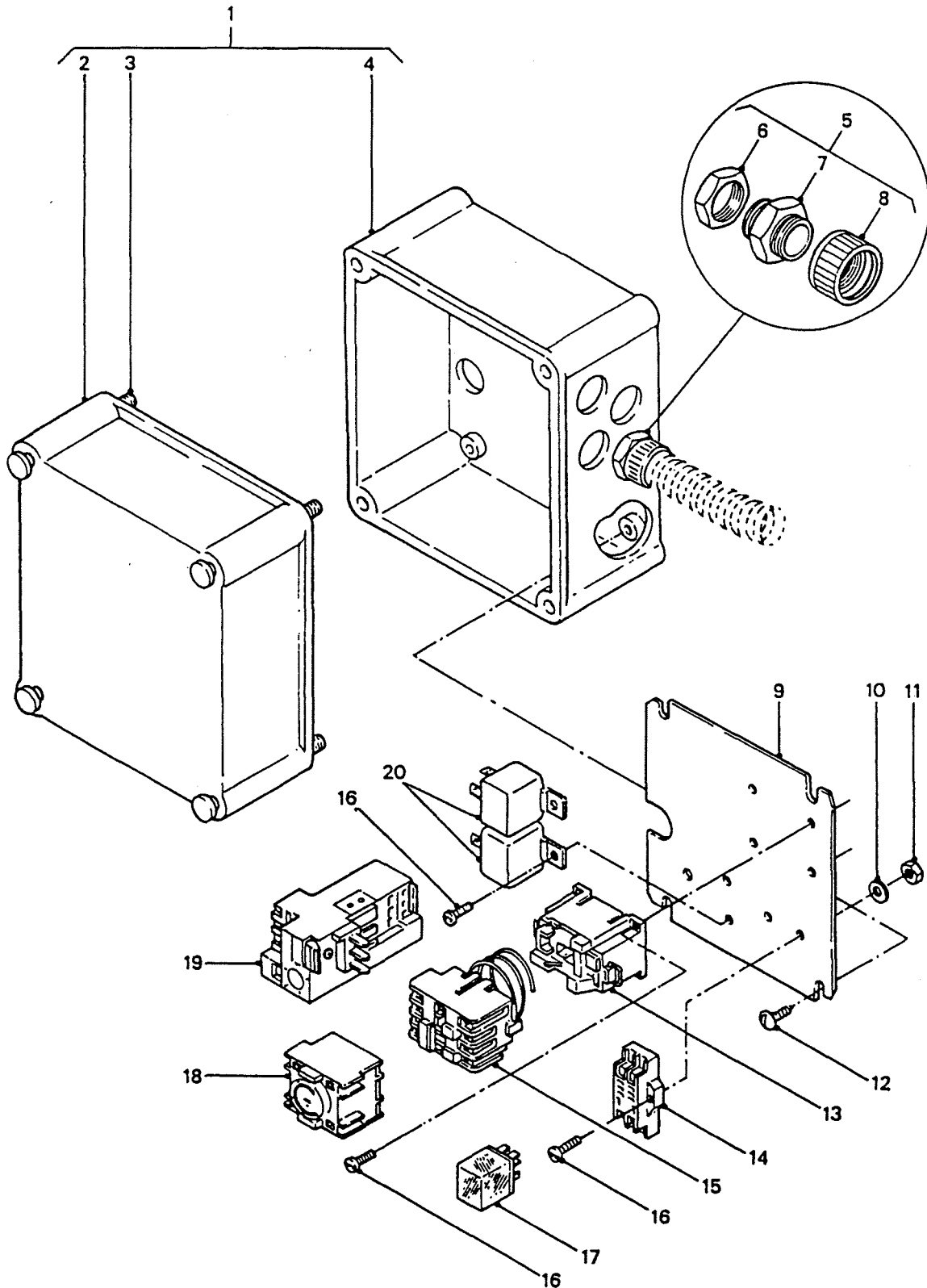
WVD /1/1 AIR CONDITIONER DRIVE MOTOR ASSEMBLY - ERV

DERIVATIVE CODE

<u>ITE</u>	<u>PART NO.</u>	<u>DESCRIPTION</u>	<u>NSN</u>	<u>2185</u>	<u>2186</u>	<u>2208</u>	<u>2209</u>	<u>2210</u>	<u>2211</u>	<u>2212</u>	<u>2219</u>	<u>CP</u>
29	NSS											
30	SE106251L	SCREW	5305-99-135-0442									2
31	NSS											
32	SE106251L	SCREW	5305-99-135-0442									1
33	NSS											
34	HYM196	CAPACITOR KIT (INCLUDES ITEMS 35-36)										1
35	NSS											
36	NSS											
37	NSS											
38	NSS											
39	NSS											
40	NSS											
41	NSS											

CHANGE POINT

ARN INTRODUCTION

GROUP WVE

**AIR CONDITIONER THERMOSTAT SWITCH &
RELAY BOX - ERV**

PERENTIE LAND ROVER PARTS LIST

WVE /1/1 AIR CONDITIONER THERMOSTAT SWITCH & RELAY BOX - ERV

DERIVATIVE CODE

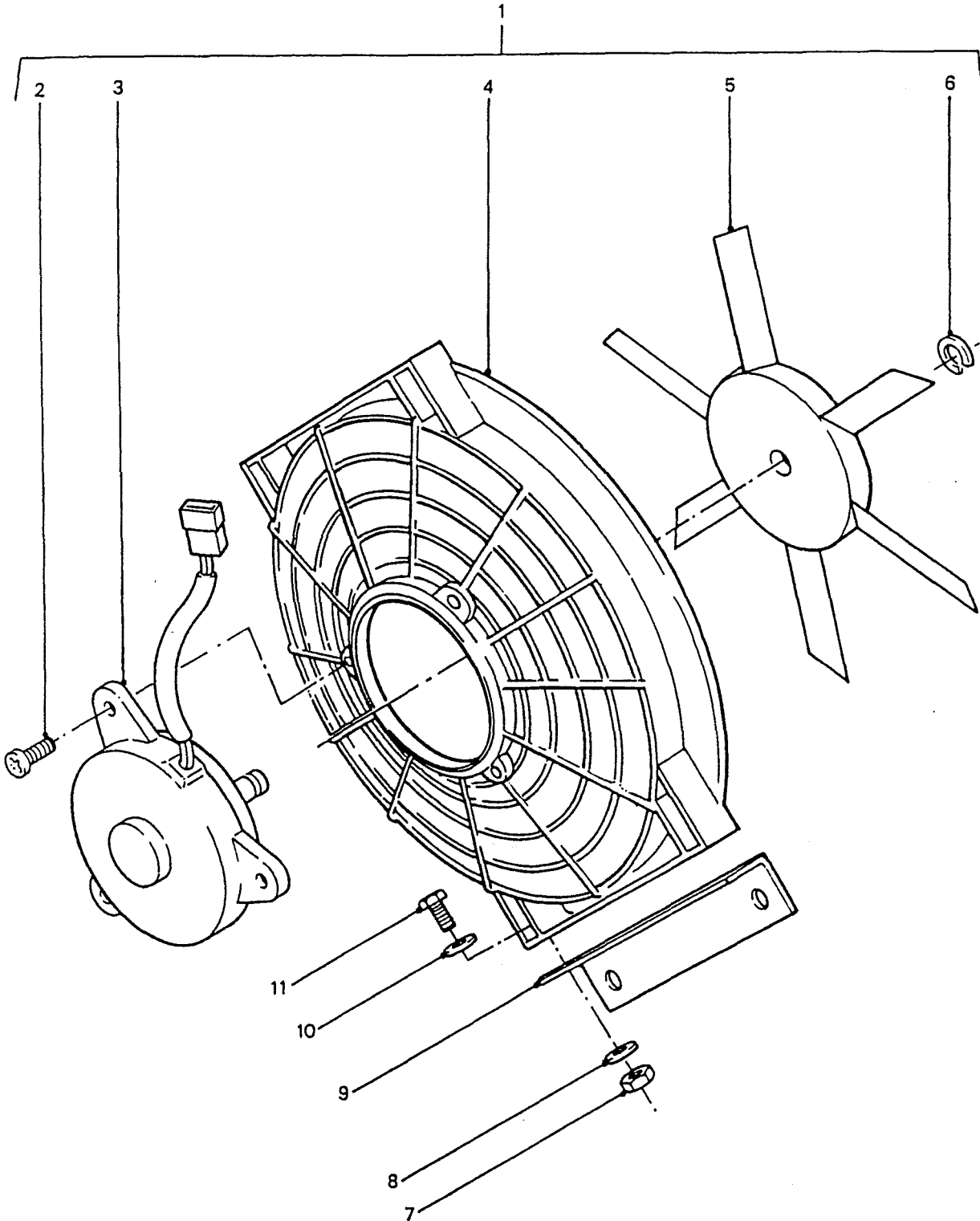
<u>ITEM</u>	<u>PART NO.</u>	<u>DESCRIPTION</u>	<u>NSN</u>	<u>2185</u>	<u>2186</u>	<u>2208</u>	<u>2209</u>	<u>2210</u>	<u>2211</u>	<u>2212</u>	<u>2219</u>	<u>CP</u>
1	HYM151	BOX ASSY-THERMOSTAT (INCLUDES ITEMS 2-4)									1	
2	HYM152	LID-AIR CONDITIONER BOX									1	
3	HYM153	SCREW-PLASTIC									4	
4	NSS											
5	HYM116	GLAND ASSY									3	
6	NSS											
7	NSS											
8	NSS											
9	HYM154	PLATE-BASE									1	
10	HYM155	WASHER-STAR									4	
11	HYM156	NUT									4	
12	HYM81	SCREW									4	
13	NSS											
14	HYM158	SOCKET -RELAY MOUNTING									1	
15	BYG9365	CONTACTOR (INCLUDES ITEM 13)									1	
16	HYM160	SCREW									4	
17	HYM161	RELAY-24V, 7AMP	5945-66-128-6068								1	
18	HYM162	SWITCH-PNEUMATIC TIMING HEAD	5930-66-128-6241								1	
19	HYM163	RELAY-THERMAL OVERLOAD	5945-66-132-4154								1	
20	HYL8810	RELAY-240V, 20AMP	5945-12-164-0194								2	
	HYM233	PLATE-DIVIDER 240V FROM 24V									1	
	HYM118	GLAND ASSY-CABLE									1	

CHANGE POINT

ARN INTRODUCTION

Nov 1995

GROUP WVF



**AIR CONDITIONER CONDENSER FAN ASSEMBLY
- ERV**

PERENTIE LAND ROVER PARTS LIST

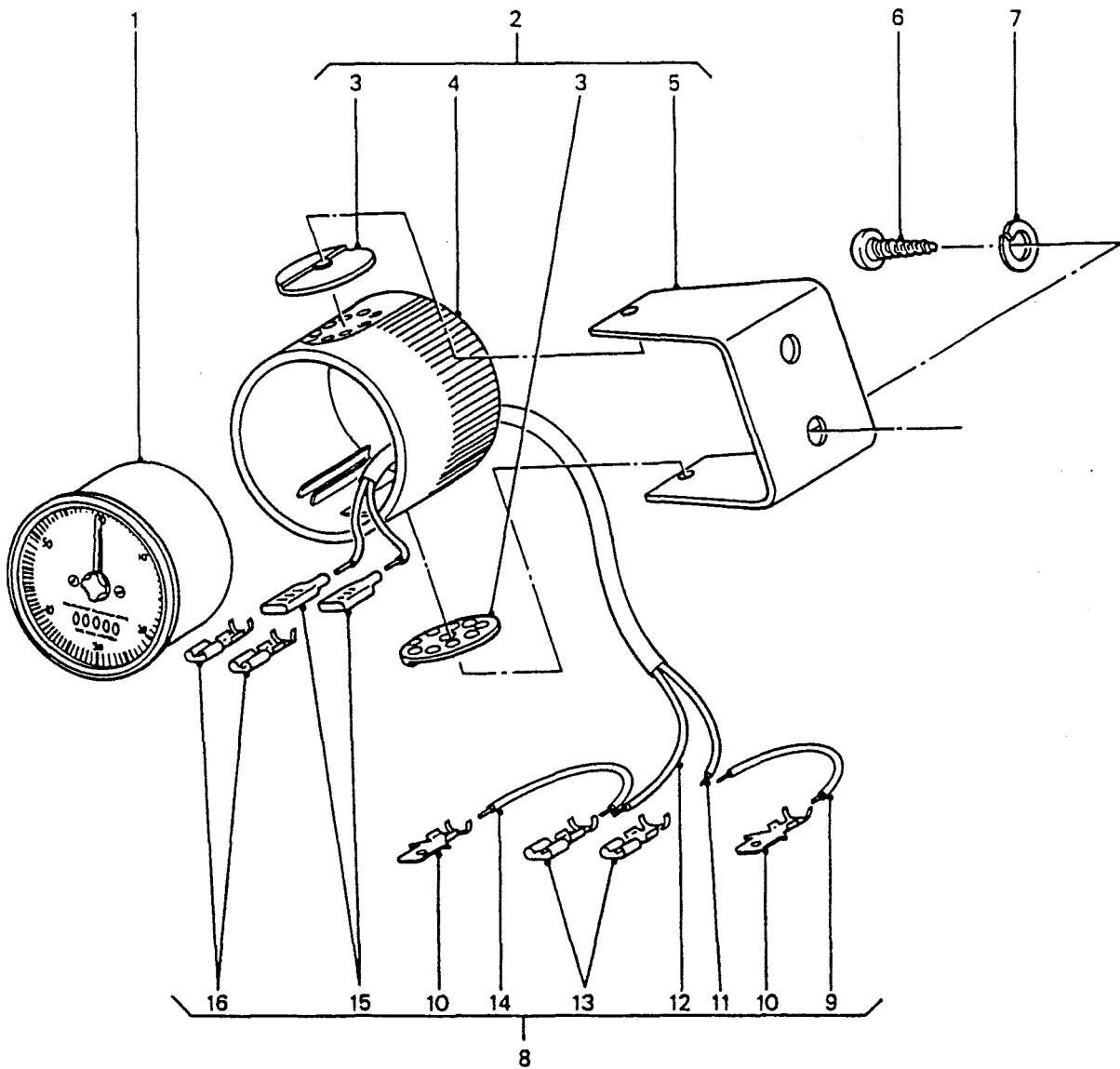
WVF /1/1 AIR CONDITIONING CONDENSOR FAN ASSEMBLY - ERV

DERIVATIVE CODE

ITEM	PART NO.	DESCRIPTION	NSN	DERIVATIVE CODE								
				2185	2186	2208	2209	2210	2211	2212	2219	CP
1	HYM595	FAN ASSY COMPLETE-CONDENSOR AND LOCKER DOOR (INCLUDES ITEMS 2-6)										3
2	SF105161L	SCREW										9
3	NSS	MOTOR-CONDENSOR FAN-USE ASSY-ITEM 1										3
4	HYM275	SHROUD-FAN										3
5	HYM277	BLADE-FAN										3
6	NSS											
7	NSS											
8	NSS											
9	NSS											
10	NSS											
11	HYL9236	SCREW										24

CHANGE POINT

ARN INTRODUCTION

GROUP WVG

**HOUR METER, HARNESS AND MOUNTING
- ERV**

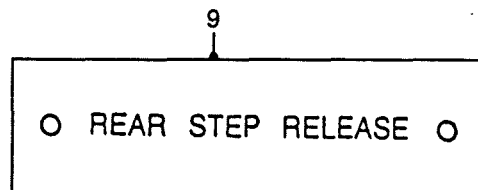
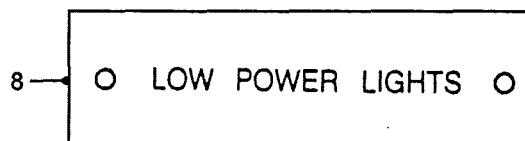
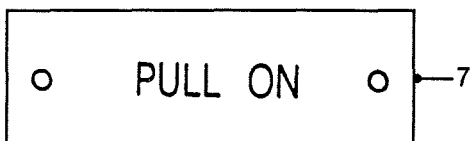
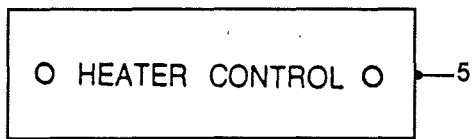
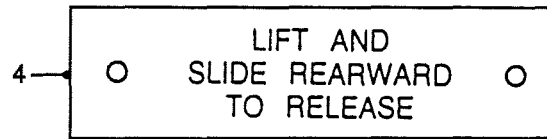
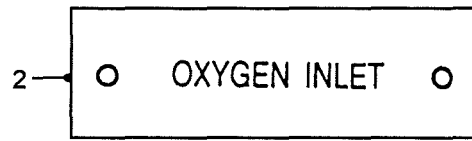
PERENTIE LAND ROVER PARTS LIST

WVG /1/1 HOUR METER. HARNESS AND MOUNTING - ERV

<u>ITEM</u>	<u>PART NO.</u>	<u>DESCRIPTION</u>	<u>NSN</u>	<u>DERIVATIVE CODE</u>								
				<u>2185</u>	<u>2186</u>	<u>2208</u>	<u>2209</u>	<u>2210</u>	<u>2211</u>	<u>2212</u>	<u>2219</u>	<u>CP</u>
1	AYG9755	HOURMETER	6645-66-098-2760									1
2	BYG9216	HOUSING ASSY (INCLUDES ITEMS 3-5)										1
3	NSS											
4	NSS											
5	NSS											
6	SE104164	SCREW	5305-66-128-5817									2
7	WL104001L	WASHER-LOCK	5310-99-977-1102									2
8	BYG9202	HARNESS										1
9	NSS											
10	NSS											
11	NSS											
12	NSS											
13	NSS											
14	NSS											
15	NSS											
16	NSS											

CHANGE POINT

ARN INTRODUCTION

GROUP WW/1 SHEET 1

**IDENTIFICATION AND INSTRUCTION LABELS
- AMBULANCE MODULE**

PERENTIE LAND ROVER PARTS LIST

WW /1/1 IDENTIFICATION & INSTRUCTION LABELS - AMBULANCE MODULE

DERIVATIVE CODE

ITEM	PART NO.	DESCRIPTION	NSN	DERIVATIVE CODE										
				2185	2186	2208	2209	2210	2211	2212	2219	CP		
1	HYL9584	LABEL-WARNING-BUZZER ALARM						1						
2	HYL9585	LABEL-OXYGEN INLET						1						
3	HYL9586	LABEL-BUZZER						1						
4	HYL9587	PLATE-OPERATION -LITTER RAIL						2						
5	HYL9588	LABEL-HEATER CONTROL						1						
6	HYL9589	LABEL-CATHETERS						1						
7	HYL9590	LABEL-PULL ON-HEATER CONTROL						1						
8	HYL9591	PLATE-LOW POWER LIGHT						2						
9	HYL9592	LABEL-REAR STEP RELEASE						1						
	RU608123L	POP RIVET	5320-66-128-4634										18	

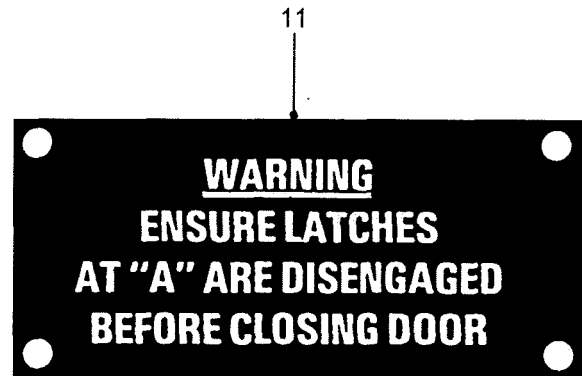
CHANGE POINT

ARN INTRODUCTION

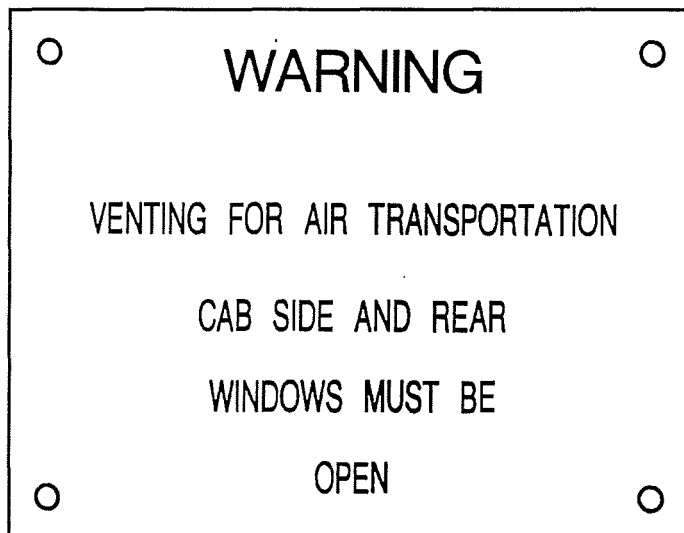
GROUP WW/1 SHEET 2



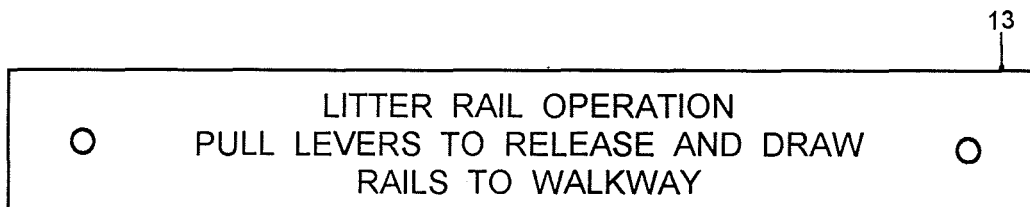
10



11



12



13

**IDENTIFICATION AND INSTRUCTION LABELS
 – AMBULANCE MODULE – CONTINUED**

PERENTIE LAND ROVER PARTS LIST

WW /1/2 IDENTIFICATION & INSTRUCTION LABELS - AMBULANCE MODULE - CONTINUED

DERIVATIVE CODE

ITEM	PART NO.	DESCRIPTION	NSN	DERIVATIVE CODE							CP	
				2185	2186	2208	2209	2210	2211	2212		2219
10	HYL9593	LABEL-DOOR OPERATION						1				
11	HYL9595	PLATE-WARNING -LATCHES						1				
12	HYL9596	PLATE-WARNING-AIR TRANSPORTATION						1				
13	HYL9587	PLATE-OPERATION -LITTER RAIL						1				
	RU608123L	POP RIVET-PLATES	5320-66-128-4634									14

CHANGE POINT

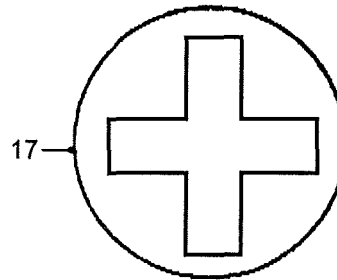
ARN INTRODUCTION

GROUP WW/1 SHEET 3

14
DANGER NO SMOKING

15
“A” **WARNING DISENGAGE LATCH
BEFORE CLOSING DOOR**

16
Manufactured by **JAKAB**
INDUSTRIES PTY LTD
Tamworth NSW AUSTRALIA
Type:
No.:
Date of manufacture:
Ph: (067) 65 4155



18
**EMERGENCY EXIT
PUSH OUT**

IDENTIFICATION AND INSTRUCTION LABELS
- AMBULANCE MODULE - CONTINUED

PERENTIE LAND ROVER PARTS LIST

WW /1/3 IDENTIFICATION & INSTRUCTION LABELS - AMBULANCE MODULE - CONTINUED

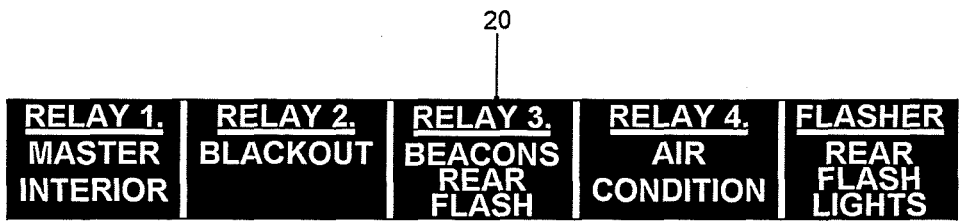
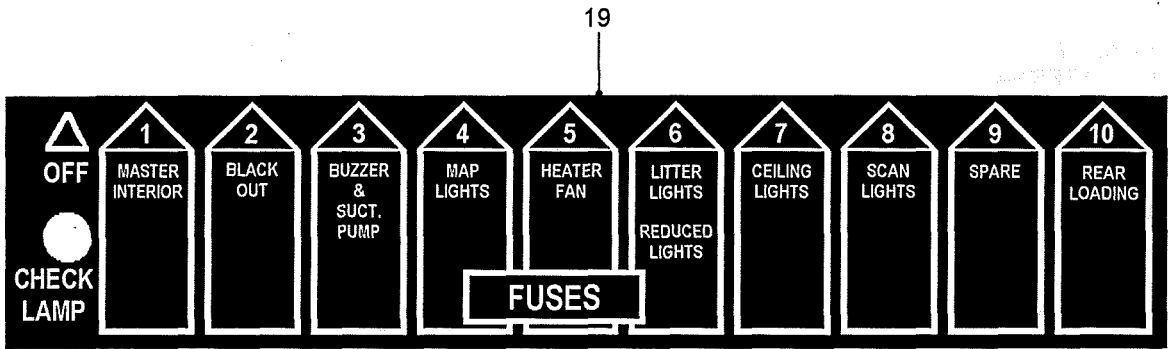
DERIVATIVE CODE

<u>ITEM</u>	<u>ART NO.</u>	<u>DESCRIPTION</u>	<u>NSN</u>	<u>2185</u>	<u>2186</u>	<u>2208</u>	<u>2209</u>	<u>2210</u>	<u>2211</u>	<u>2212</u>	<u>2219</u>	<u>CP</u>
14	HYL9597	PLATE-NO SMOKING	9905-66-128-5889						1			
15	HYL9598	LABEL-DOOR LATCH							1			
16	NSS											
	RU608123L	POP RIVET-PLATE	5320-66-128-4634						4			
17	HYL9599	DECAL-RED CROSS-SIDE-EXTERNAL -560MM DIA							2			
	HYL9600	DECAL-RED CROSS-SIDE-EXTERNAL -600MM DIA							1			
	HYL9601	DECAL-RED CROSS-REAR DOOR-EXTERNAL -400MM DIA							2			
18	HYL9602	LABEL-EMERGENCY EXIT							1			

CHANGE POINT

ARN INTRODUCTION

GROUP WW/1 SHEET 4



**IDENTIFICATION AND INSTRUCTION LABELS
- AMBULANCE MODULE - CONTINUED**

PERENTIE LAND ROVER PARTS LIST

WW /1/4 IDENTIFICATION & INSTRUCTION LABELS - AMBULANCE MODULE - CONTINUED

DERIVATIVE CODE

<u>ITEM</u>	<u>PART NO.</u>	<u>DESCRIPTION</u>	<u>NSN</u>	<u>2185</u>	<u>2186</u>	<u>2208</u>	<u>2209</u>	<u>2210</u>	<u>2211</u>	<u>2212</u>	<u>2219</u>	<u>CP</u>
19	HYL9603	LABEL-FUSE BOX COVER				1						
20	HYL9604	LABEL-RELAY BLOCK				1						

CHANGE POINT

ARN INTRODUCTION

GROUP WW/2 SHEET 1

WARNING
DOOR OPERATION

TO OPEN TURN HANDLE
 TO VERTICAL POSITION 
 THEN PULL HANDLE BELOW.

TO CLOSE TURN HANDLE TO
 HORIZONTAL POSITION 
 THEN SHUT DOOR.

1

WARNING
 ENSURE LATCHES
 AT "A" ARE DISENGAGED
 BEFORE CLOSING DOOR

2

BEFORE WELDING ISOLATE BATTERY.
 TURN ISOLATION SWITCH UNDER
 BONNET TO OFF POSITION.

4

BATTERY
 ISOLATION
 SWITCH

3

ON

5

OFF

6

VICE TO BE
 REMOVED
 FOR TRANSPORT

7

"A" WARNING DISENGAGE LATCH
 BEFORE CLOSING DOOR

8

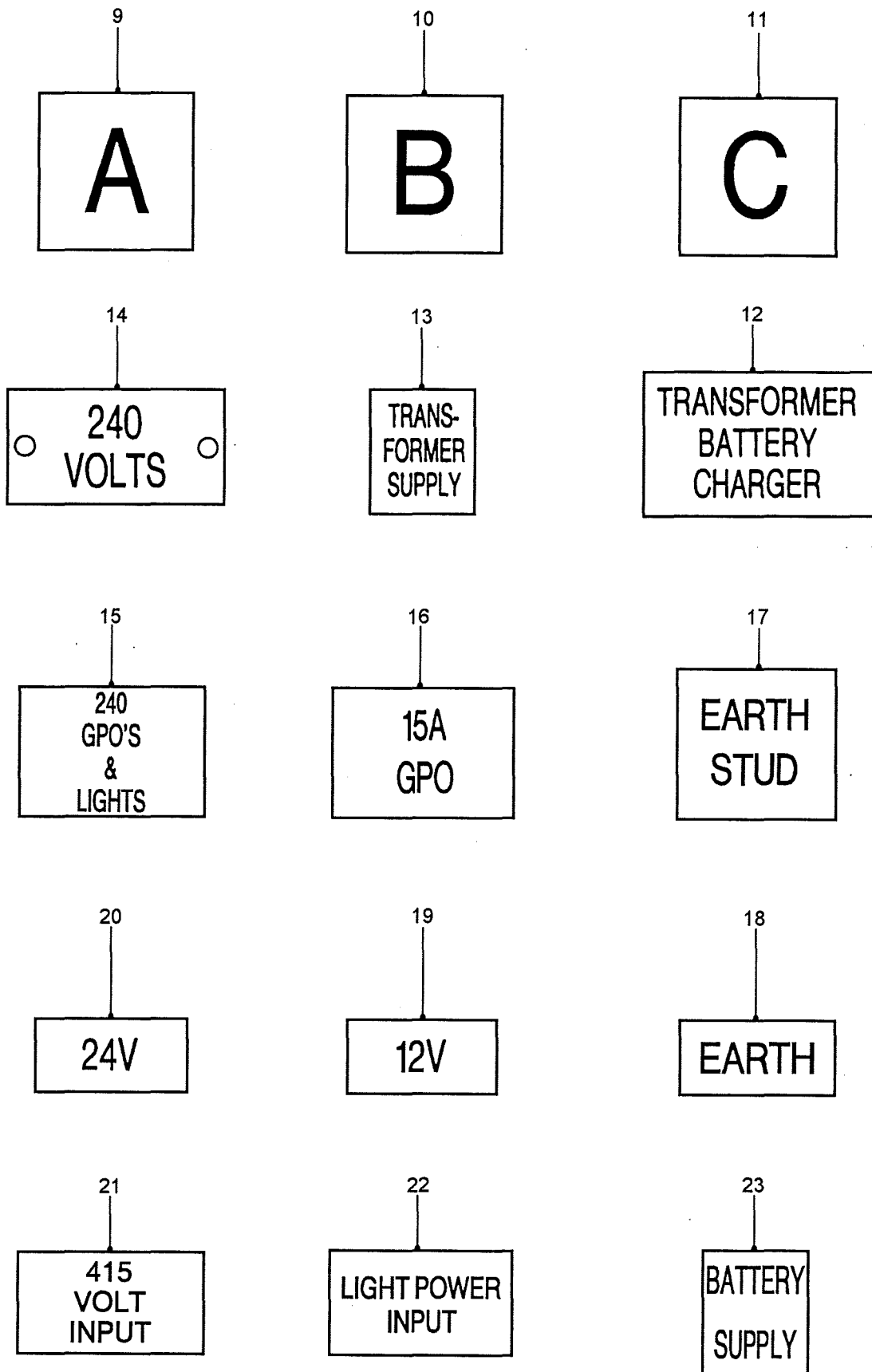
PERENTIE LAND ROVER PARTS LIST

WW 12/1 IDENTIFICATION & INSTRUCTION LABELS - GMV MODULE

DERIVATIVE CODE

<u>ITEM</u>	<u>PART NO.</u>	<u>DESCRIPTION</u>	<u>NSN</u>	<u>2185</u>	<u>2186</u>	<u>2208</u>	<u>2209</u>	<u>2210</u>	<u>2211</u>	<u>2212</u>	<u>2219</u>	<u>CP</u>
1	HYL9593	LABEL-DOOR OPERATION										1
2	HYL9594	LABEL-WARNING-LATCHES										1
3	HYM388	LABEL-ISOLATION SWITCH										1
4	HYM389	LABEL-WARNING										1
5	HYM390	LABEL-ON										1
6	HYM391	LABEL-OFF										1
7	HYM392	LABEL-VICE REMOVING										1
8	HYL9598	LABEL-WARNING-LATCHES										6
	RU608123L	POP RIVET	5320-66-128-4634									4

CHANGE POINT ARN INTRODUCTION

GROUP WW/2 SHEET 2

**IDENTIFICATION AND INSTRUCTION LABELS
- GMV MODULE - CONTINUED**

PERENTIE LAND ROVER PARTS LIST

WW 12/2 IDENTIFICATION & INSTRUCTION LABELS - GMV MODULE - CONTINUED

ITEM	PART NO.	DESCRIPTION	NSN	DERIVATIVE CODE							CP
				2185	2186	2208	2209	2210	2211	2212	
9	HYM393	LABEL-A							1		
10	HYM175	LABEL-B							1		
11	HYM394	LABEL-C							1		
12	HYM395	LABEL-TRANSFORMER -BATTERY CHARGER							1		
13	HYM168	LABEL-TRANSFORMER SUPPLY							1		
14	HYM396	LABEL-240 VOLTS							1		
15	HYM176	LABEL-240 GPO'S & LIGHTS							1		
16	HYM174	LABEL-15A GPO							1		
17	HYM186	LABEL-EARTH STUD							1		
18	HYM183	LABEL-EARTH							1	01	
19	HYM184	LABEL-12V <i>720258</i>							1	01	
20	HYM185	LABEL-24V <i>720257</i>							1	01	
	BYG9356	LABEL-EARTH, 12V, 24V-COMBINED							1	02	
21	HYM169	LABEL-415 VOLT INPUT							1		
22	HYM172	LABEL-LIGHT POWER INPUT							1		
23	HYM171	LABEL-BATTERY SUPPLY							1		

<u>CHANGE POINT</u>	<u>ARN INTRODUCTION</u>
1	TO ARN 51-908
2	FROM ARN 51-909

GROUP WW/2 SHEET 3

24

EMERGENCY EXIT PUSH OUT

26

Manufactured by **JAKAB**
INDUSTRIES PTY LTD
Tamworth NSW AUSTRALIA

Type:

No.:

Date of manufacture:

Ph: (067) 65 4155

25

● BATTERY CONDITION ●

27

Bench Operation Raise & Lower.

To Lower

1. Ensure catch at "A" fully engages (L/H side).
2. Move to R/H side. Release catch at "B".
3. Supporting bench weight, move to L/H side, remove safety chain at "C".
4. Still supporting bench weight release catch at "A" & lower bench.

To Raise

Reverse steps 1. 2. 3. 4.

28

RAISE HANDLE BEFORE CLOSING DOOR

IDENTIFICATION AND INSTRUCTION LABELS – GMV MODULE – CONTINUED

PERENTIE LAND ROVER PARTS LIST

WW 12/3 IDENTIFICATION & INSTRUCTION LABELS - GMV MODULE - CONTINUED
DERIVATIVE CODE

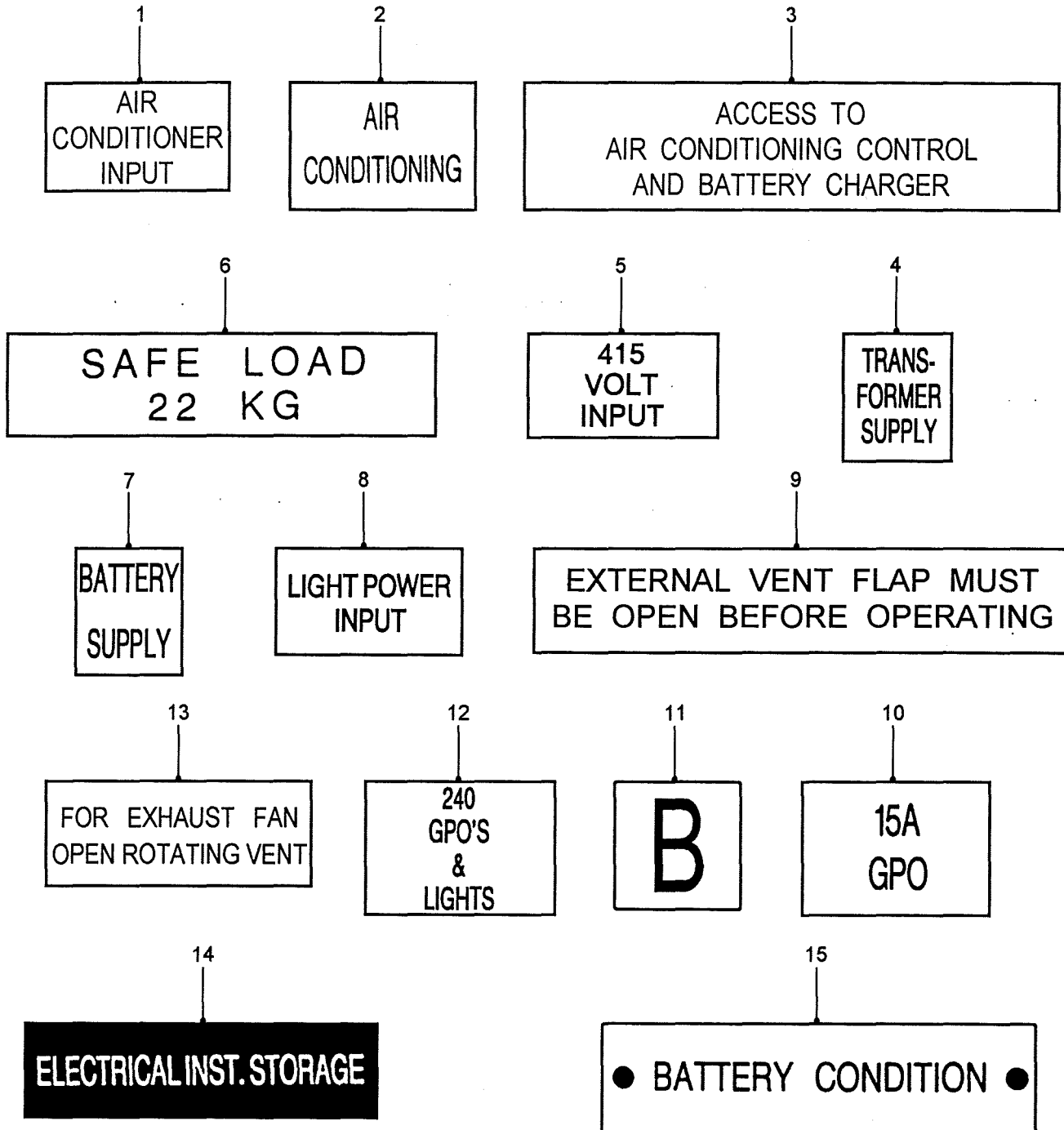
<u>ITEM</u>	<u>PART NO.</u>	<u>DESCRIPTION</u>	<u>NSN</u>	<u>2185</u>	<u>2186</u>	<u>2208</u>	<u>2209</u>	<u>2210</u>	<u>2211</u>	<u>2212</u>	<u>2219</u>	<u>CP</u>
24	HYL9602	LABEL-EMERGENCY EXIT								1		
25	HYM179	LABEL-BATTERY CONDITION								1		
26	NSS											
27	HYM397	LABEL-BENCH OPERATION								1		
28	HYM753	LABEL-SIDE DOOR OPERATION								2		01

CHANGE POINT

ARN INTRODUCTION

1 FROM ARN 51-909

GROUP WW/3 SHEET 1



**IDENTIFICATION & INSTRUCTION LABELS
- ERV MODULE**

GROUP WW/3 SHEET 2

16

TO OPERATE AIR CONDITIONER
UNDO TRANSPORT BOLT
AT "A"

17

A

18

A/C
VENT
FLAP

22

EARTH
STUD

21

24V

20

12V

19

EARTH

23

Manufactured by **JAKAB**
INDUSTRIES PTY LTD
Tamworth NSW AUSTRALIA
Type:
No.:
Date of manufacture:
Ph: (067) 65 4155

24

TO OPERATE AIR CONDITIONER
REMOVE TRANSPORT BOLT (A)
IN A/C EXTERNAL LOCKER.
OPEN EXTERNAL VENT FLAP
AT (B).

26

L/H BENCH
10 AMP POWER
POINTS

25

**EMERGENCY EXIT
PUSH OUT**

PERENTIE LAND ROVER PARTS LIST

WW /3/2 IDENTIFICATION & INSTRUCTION LABELS - ERV MODULE - CONTINUED
DERIVATIVE CODE

<u>ITEM</u>	<u>PART NO.</u>	<u>DESCRIPTION</u>	<u>NSN</u>	<u>2185</u>	<u>2186</u>	<u>2208</u>	<u>2209</u>	<u>2210</u>	<u>2211</u>	<u>2212</u>	<u>2219</u>	<u>CP</u>
16	HYM180	LABEL-AIR COND OPERATION										1
17	HYM181	LABEL-A										1
18	HYM182	LABEL-A/C VENT FLAP										1
19	HYM186	LABEL-EARTH STUD										1
20	HYM183	LABEL-EARTH										1
21	HYM184	LABEL-12V										1
22	HYM185	LABEL-24V										1
23	NSS											
24	HYM187	LABEL- AIR COND OPERATION										1
25	HYL9602	LABEL-EMERGENCY EXIT										1
26	HYM188	LABEL-LH POWER POINTS										1

CHANGE POINT

ARN INTRODUCTION

GROUP WW/3 SHEET 3

OPERATION OF AIR CONDITIONER

1. Undo transport bolt at "A" in external locker on LHS of Module then close locker.
 2. Open Air Conditioner vent flap at external locker "B".
 3. Connect external mains power - 415V or 240V.
Note: If 240V, both "AIR CONDITIONING INPUT" and "LIGHT POWER INPUT" must be connected for the air conditioning system to operate.
 4. Set main control panel switches to "AIR-CON", "240V/415V" (depending on external power supply), and "MAINS".
 5. Set the fan speed control to "4" and temperature control to "COLD" to extract hot air from the module.
 6. After a few minutes, lower the fan speed setting to "1 or 2" to produce maximum cooled air, and the temperature control selected for the required temperature.
- Note: a. High fan speed will not minimise temperature.

- b. All external vents and doors should only remain closed during initial cooling.

OPERATION OF FAN ONLY

(No external power supplied to module)

1. Transport bolt can remain engaged.
 2. Vent flap in external locker (LHS) must be in closed position.
 3. Set main control switches to "OFF", "OFF" and "BATT".
 4. Select fan speed to supply the required amount of air recirculation.
- Note: The temperature control should not be moved from the "OFF" position. If it is moved then both fan speed and temperature controls must be moved to "OFF" to reset the system. After a few seconds, the fan speed can then be selected.

720268 HYG7572

DRAIN PAN/BEZEL

P/No. 08 - 3085

1. TAKE CARE WHEN REMOVING OR INSTALLING WATER DRAIN TUBES AS EXCESSIVE EFFORT MAY DAMAGE DRAIN STUBS OR PAN
2. DO NOT OVERTIGHTEN BEZEL FIXING SCREWS

720269 HYG6526

IDENTIFICATION & INSTRUCTION LABELS
- ERV MODULE - CONTINUED

PERENTIE LAND ROVER PARTS LIST

WW 13/3 IDENTIFICATION & INSTRUCTION LABELS - ERV MODULE - CONTINUED

DERIVATIVE CODE

<u>ITE</u>	<u>PART NO.</u>	<u>DESCRIPTION</u>	<u>NSN</u>	<u>2185</u>	<u>2186</u>	<u>2208</u>	<u>2209</u>	<u>2210</u>	<u>2211</u>	<u>2212</u>	<u>2219</u>	<u>CP</u>
1	HYG7572	LABEL-AIR COND OPERATION							1			
	AB608044L	SCREW-LABEL							4			
2	HYG6526	LABEL-AIR COND DRAIN TUBE							1			

CHANGE POINT

ARN INTRODUCTION



18/10/86

