

ROVER AUSTRALIA PARTS BOOK FOR AUSTRALIAN ARMY LAND ROVER 6x6 VEHICLES COMBINED PARTS LIST

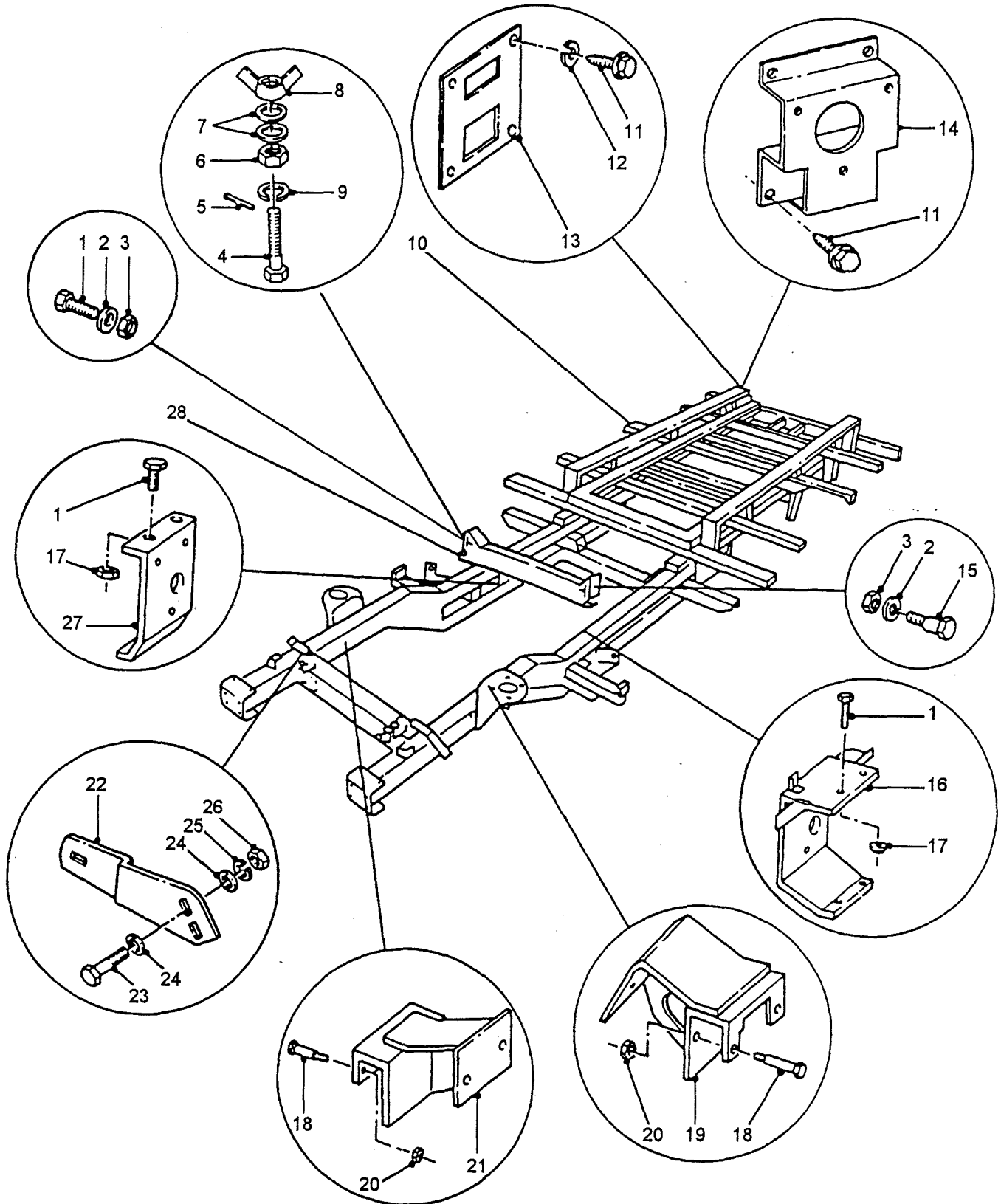
Copyright of this document is retained by Land Rover Australia. The document dated 1996 contains the parts utilised on the vehicles at that point in time. Some parts may have been superseded or changed since that time.

This document has been download from the Registry of Ex Military Land Rovers at <http://www.remlr.com> . All files available from this site are free of charge.

If you have paid for this document please report where you purchased it from to the Registry of Ex Military Land Rovers Inc.



GROUP RA



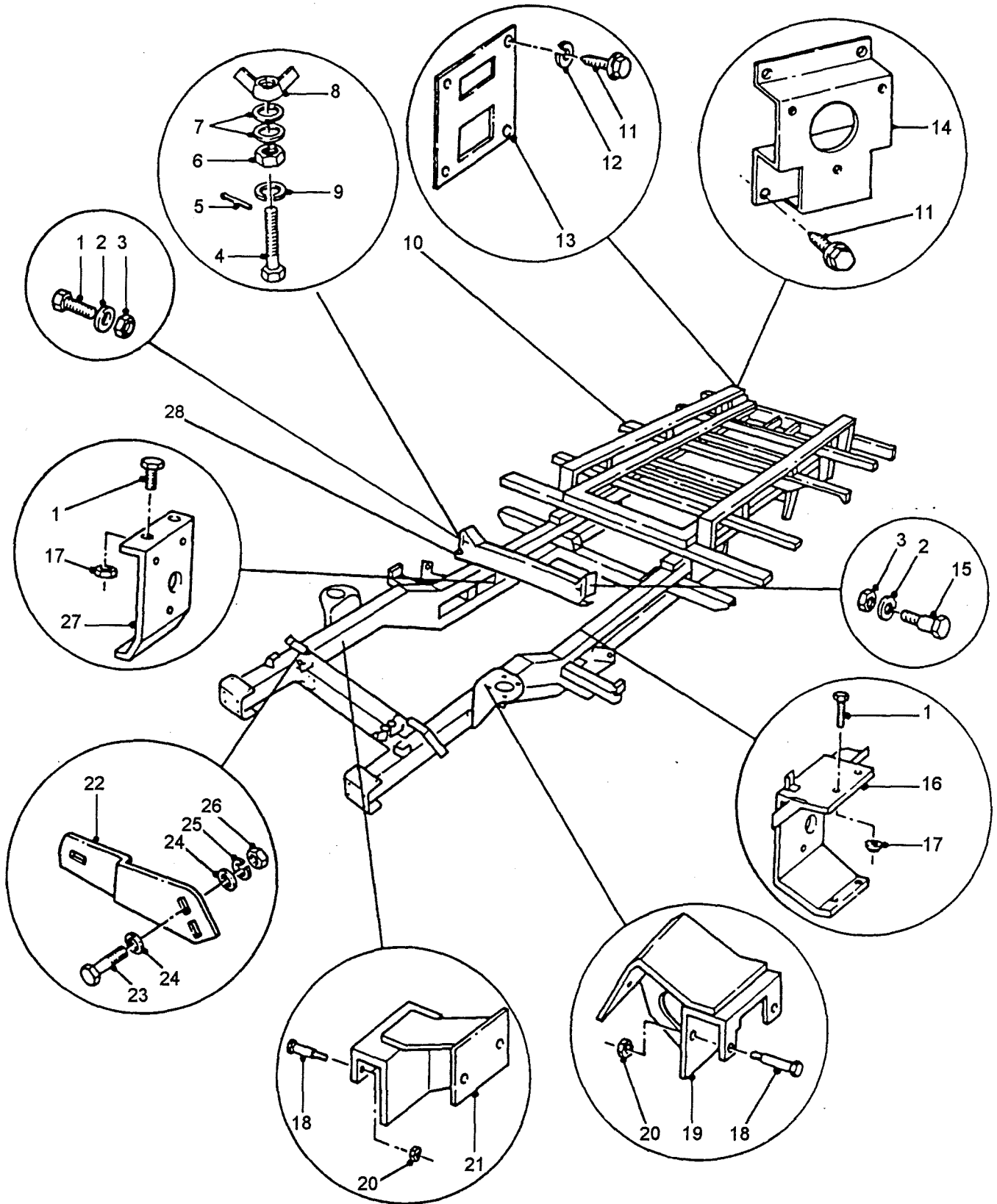
CHASSIS FRAME AND MOUNTING BRACKETS

PERENTIE LAND ROVER PARTS LIST

RA /1/1 CHASSIS FRAME AND MOUNTING BRACKETS

| ITEM | PART NO. | DESCRIPTION | NSN | DERIVATIVE CODE | | | | | | | | |
|------|-----------|--|------------------|-----------------|------|------|------|------|------|------|------|----|
| | | | | 2185 | 2186 | 2208 | 2209 | 2210 | 2211 | 2212 | 2219 | CP |
| 1 | FS110301 | SCREW | 5305-66-098-4283 | 12 | 12 | 12 | 12 | 12 | 12 | 12 | 12 | |
| 2 | WL110001L | WASHER-LOCK | 5310-99-138-9228 | 8 | 8 | 8 | 8 | 8 | 8 | 8 | 8 | |
| 3 | FN110041 | NUT | 5310-66-098-4403 | 8 | 8 | 8 | 8 | 8 | 8 | 8 | 8 | |
| 4 | AYG9793 | SCREW-BRASS | 5305-66-128-5868 | | | 1 | 1 | 1 | | | 1 | |
| 5 | PS104201 | SPLIT PIN | | | | 1 | 1 | 1 | | | 1 | |
| 6 | MYH3220 | NUT-BRASS | 5310-66-128-5867 | | | 1 | 1 | 1 | | | 1 | |
| 7 | MYH3221 | WASHER-BRASS | | | | 2 | 2 | 2 | | | 2 | |
| 8 | MYH3222 | WINGNUT-BRASS | 5310-66-128-5866 | | | 1 | 1 | 1 | | | 1 | |
| 9 | WL112001L | WASHER-LOCK | 5310-66-128-5111 | | | 1 | 1 | 1 | | | 1 | |
| 10 | BYG5009 | CHASSIS FRAME | | 1 | 1 | 1 | 1 | 1 | | | 1 | |
| 10 | BYG5189 | CHASSIS FRAME-LRPV ONLY | | | | | | | | | 1 | |
| 10 | BYG5348 | CHASSIS FRAME -CREW CAB ONLY | | | | | | | | | | 1 |
| 11 | MYH3337 | SCREW | 5305-66-128-5341 | 4 | 4 | 8 | 8 | 8 | 4 | 4 | 4 | |
| 12 | WL106001L | WASHER-LOCK | 5310-99-137-9232 | 4 | 4 | 4 | 4 | 4 | 4 | 4 | 4 | |
| 13 | AYG8683 | BRACKET-MOUNTING -CONNECTOR | | 2 | 2 | 2 | 2 | 2 | 2 | 2 | 2 | |
| 14 | HYG3732 | BRACKET-7 PIN TRAILER PLUG | | | | 1 | 1 | 1 | | | | |
| 15 | BH110201 | BOLT | 5306-99-124-3616 | 4 | 4 | 4 | 4 | 4 | 4 | 4 | 4 | |
| 16 | AYG8555 | ADAPTOR ASSY-G/BOX LH MTG. TO CHASSIS | | 1 | 1 | 1 | 1 | 1 | 1 | 1 | 1 | |
| 17 | NV110041L | NUT | 5310-99-138-1473 | 8 | 8 | 8 | 8 | 8 | 8 | 8 | 8 | |
| 18 | BH112241 | BOLT | | 4 | 4 | 4 | 4 | 4 | 4 | 4 | 4 | |
| 19 | AYG8915 | MOUNTING ASSY-LH ENGINE TO CHASSIS FRONT | | 1 | 1 | 1 | 1 | 1 | 1 | 1 | 1 | |
| 20 | NV112041 | NUT-LOCK | 5310-99-139-9037 | 4 | 4 | 4 | 4 | 4 | 4 | 4 | 4 | |
| 21 | AYG8640 | MOUNTING ASSY-RH ENGINE TO CHASSIS FRONT | | 1 | 1 | 1 | 1 | 1 | 1 | 1 | 1 | |

GROUP RA



CHASSIS FRAME AND MOUNTING BRACKETS

PERENTIE LAND ROVER PARTS LIST

RA /1/1 CHASSIS FRAME AND MOUNTING BRACKETS

DERIVATIVE CODE

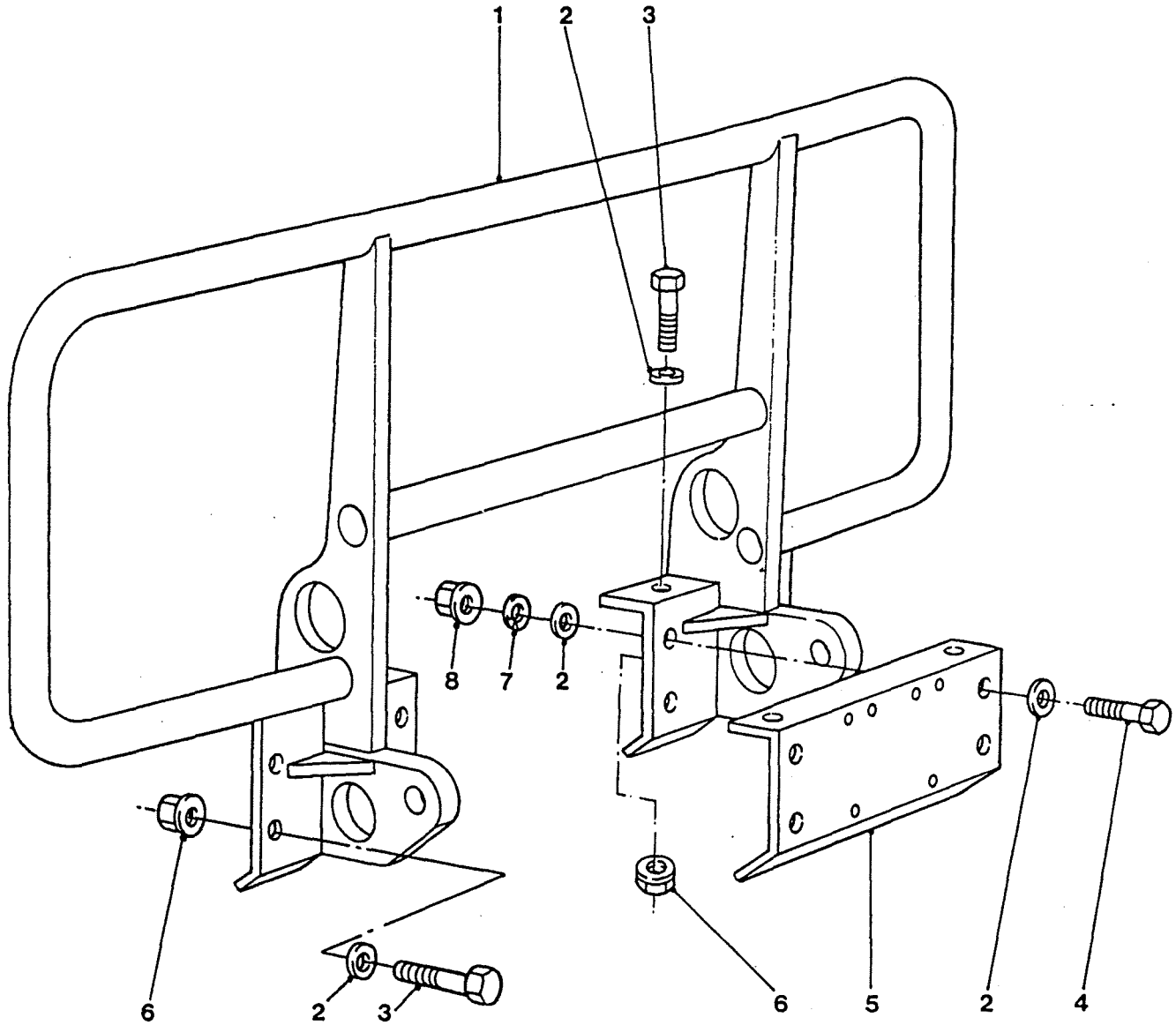
| <u>ITEM</u> | <u>PART NO.</u> | <u>DESCRIPTION</u> | <u>NSN</u> | <u>2185</u> | <u>2186</u> | <u>2208</u> | <u>2209</u> | <u>2210</u> | <u>2211</u> | <u>2212</u> | <u>2219</u> | <u>CP</u> |
|-------------|-----------------|--|------------------|-------------|-------------|-------------|-------------|-------------|-------------|-------------|-------------|-----------|
| 22 | NRC7164 | PLATE-BRIDGE-LH | | 1 | 1 | 1 | 1 | 1 | 1 | 1 | 1 | |
| 22 | NRC7165 | PLATE-BRIDGE-RH | | 1 | 1 | 1 | 1 | 1 | 1 | 1 | 1 | |
| 23 | FS108251 | SCREW | 5305-99-122-5367 | 6 | 6 | 6 | 6 | 6 | 6 | 6 | 6 | |
| 24 | WA108051L | WASHER-PLAIN | 5310-99-122-6475 | 12 | 12 | 12 | 12 | 12 | 12 | 12 | 12 | |
| 25 | WL108001L | WASHER-LOCK | 5310-99-138-9227 | 6 | 6 | 6 | 6 | 6 | 6 | 6 | 6 | |
| 26 | FN108041 | NUT | 5310-99-499-8033 | 6 | 6 | 6 | 6 | 6 | 6 | 6 | 6 | |
| 27 | AYG8556 | ADAPTOR ASSY-G/BOX R.H. MTG. TO CHASSIS | | 1 | 1 | 1 | 1 | 1 | 1 | 1 | 1 | |
| 28 | AYG8960 | CROSSMEMBER -DETACHABLE | | 1 | 1 | 1 | 1 | 1 | 1 | 1 | 1 | |
| | BYG5212 | BRACKET-REAR STEP | | 2 | 2 | | | | | | | 01 |
| | WC110061L | WASHER-PLAIN | 5310-66-128-4614 | 8 | 8 | | | | | | | 01 |
| | NY110041L | NUT-NYLOC | 5310-99-122-5497 | 4 | 4 | | | | | | | 01 |
| | BYG5208 | FOOTSTEP-REAR | | 2 | 2 | | | | | | | 01 |
| | FS110301 | SCREW-STEP TO MOUNT BRACKET | 5305-66-098-4283 | 4 | 4 | | | | | | | 01 |
| | WC110061L | WASHER-PLAIN | 5310-66-128-4614 | 4 | 4 | | | | | | | 01 |
| | NY110041L | NUT-NYLOC | 5310-99-122-5497 | 4 | 4 | | | | | | | 01 |

CHANGE POINT

ARN INTRODUCTION

1

50-851 CARGO, 50-860 CARGO, 50-887 TO 50-890 CARGO AND WINCH, 50-893 TO 50-900 CARGO, 51-571 TO 50-574 CARGO, 51-982 CARGO, 51-954 TO 51-972 CARGO AND WINCH

GROUP RB/1

**BRUSHGUARD AND MOUNTINGS
- EXCEPT LRPV AND CREW CAB**

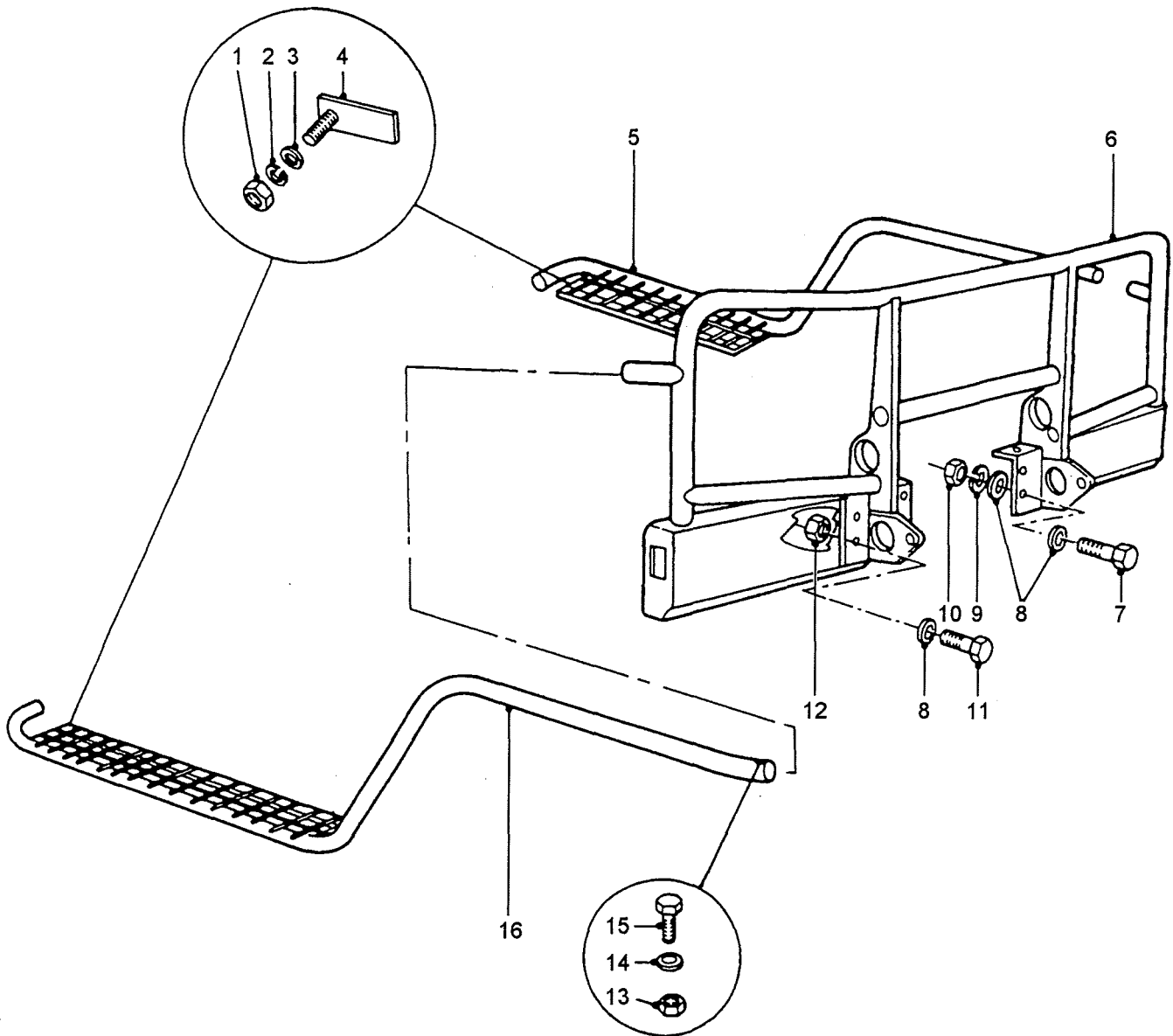
PERENTIE LAND ROVER PARTS LIST

RB /1/1 BRUSHGUARD AND MOUNTINGS

| <u>ITEM</u> | <u>PART NO.</u> | <u>DESCRIPTION</u> | <u>NSN</u> | <u>DERIVATIVE CODE</u> | | | | | | | |
|-------------|-----------------|--------------------------------------|------------------|------------------------|-------------|-------------|-------------|-------------|-------------|-------------|-------------|
| | | | | <u>2185</u> | <u>2186</u> | <u>2208</u> | <u>2209</u> | <u>2210</u> | <u>2211</u> | <u>2212</u> | <u>2219</u> |
| 1 | BYG5423 | BRUSHGUARD | | 1 | 1 | 1 | 1 | 1 | | 1 | |
| 2 | WA112081L | WASHER-PLAIN | 5310-99-122-6477 | 16 | 16 | 16 | 16 | 16 | | 16 | |
| 3 | MYH3320 | SCREW | 5305-66-128-4620 | 8 | 8 | 8 | 8 | 8 | | 8 | |
| 4 | SH112451 | SCREW | 5305-66-128-6192 | 4 | 4 | 4 | 4 | 4 | | 4 | |
| 5 | HYG2727 | MOUNTING PLATE-FRONT NUMBER PLATE | | 1 | | | | 1 | | | |
| 6 | FN112041 | NUT | 5310-66-128-4585 | 8 | 8 | 8 | 8 | 8 | | 8 | |
| 7 | WL112001L | WASHER-LOCK | 5310-66-128-5111 | 4 | 4 | 4 | 4 | 4 | | 4 | |
| 8 | NH112041L | NUT | 5310-66-128-5086 | 4 | 4 | 4 | 4 | 4 | | 4 | |

CHANGE POINT

ARN INTRODUCTION

GROUP RB/2

**BRUSHGUARD, SIDE PROTECTOR/RUNNING
BOARD AND MOUNTINGS
- LRPV AND CREW CAB ONLY**

PERENTIE LAND ROVER PARTS LIST

RB /2/1

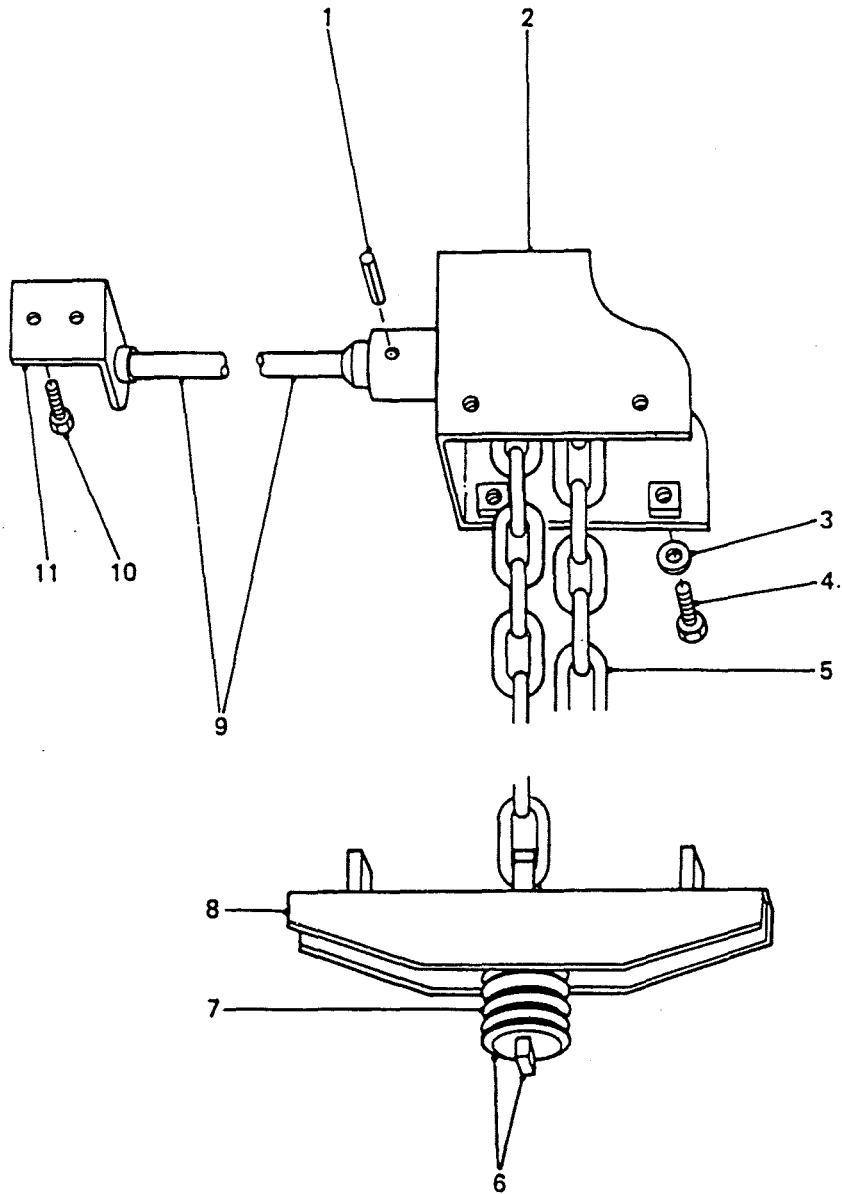
BRUSHGUARD. SIDE PROTECTOR/RUNNING BOARD & MOUNTINGS

DERIVATIVE CODE

| <u>ITEM</u> | <u>PART NO.</u> | <u>DESCRIPTION</u> | <u>NSN</u> | <u>2185</u> | <u>2186</u> | <u>2208</u> | <u>2209</u> | <u>2210</u> | <u>2211</u> | <u>2212</u> | <u>2219</u> | <u>CP</u> |
|-------------|-----------------|-----------------------------------|------------------|-------------|-------------|-------------|-------------|-------------|-------------|-------------|-------------|-----------|
| 1 | FN110041 | NUT | 5310-66-098-4403 | | | | | | 12 | | | |
| 2 | WL110001L | WASHER-LOCK | 5310-99-138-9228 | | | | | | 12 | | | |
| 3 | WA110061L | WASHER-PLAIN | 5310-99-122-6476 | | | | | | 18 | | | |
| 4 | HYG5461 | STUD PLATE | 2540-66-128-6305 | | | | | | 6 | | | |
| | FS110301 | SCREW-RUNNING BOARD TO CHASSIS | 5305-66-098-4283 | | | | | | 6 | | | |
| 5 | HYG5417 | RUNNING-BOARD-LH | 2590-66-128-6306 | | | | | | 1 | | | |
| 6 | AYG8794 | BRUSHGUARD | 2540-66-128-6307 | | | | | | 1 | | 1 | |
| 7 | SH112451 | SCREW | 5305-66-128-6192 | | | | | | 4 | | 4 | |
| 8 | WA112081L | WASHER-PLAIN | 5310-99-122-6477 | | | | | | 16 | | 16 | |
| 9 | WL112001L | WASHER-LOCK | 5310-66-128-5111 | | | | | | 12 | | 12 | |
| 10 | NH112041L | NUT | 5310-66-128-5086 | | | | | | 8 | | 8 | |
| 11 | MYH3320 | SCREW | 5305-66-128-4620 | | | | | | 8 | | 8 | |
| 12 | FN112041 | NUT | 5310-66-128-4585 | | | | | | 8 | | 8 | |
| 13 | NY108041L | NUT-NYLOC | 5310-99-122-5496 | | | | | | 2 | | | |
| 14 | WA108051L | WASHER-PLAIN | 5310-99-122-6475 | | | | | | 2 | | | |
| 15 | FB108121 | BOLT | 5306-99-122-6453 | | | | | | 2 | | | |
| 16 | HYG5416 | RUNNING BOARD-RH | 2590-66-128-6308 | | | | | | 1 | | | |

CHANGE POINT

ARN INTRODUCTION

GROUP RC/1

**SPARE WHEEL CARRIER
- EXCEPT LRPV**

PERENTIE LAND ROVER PARTS LIST

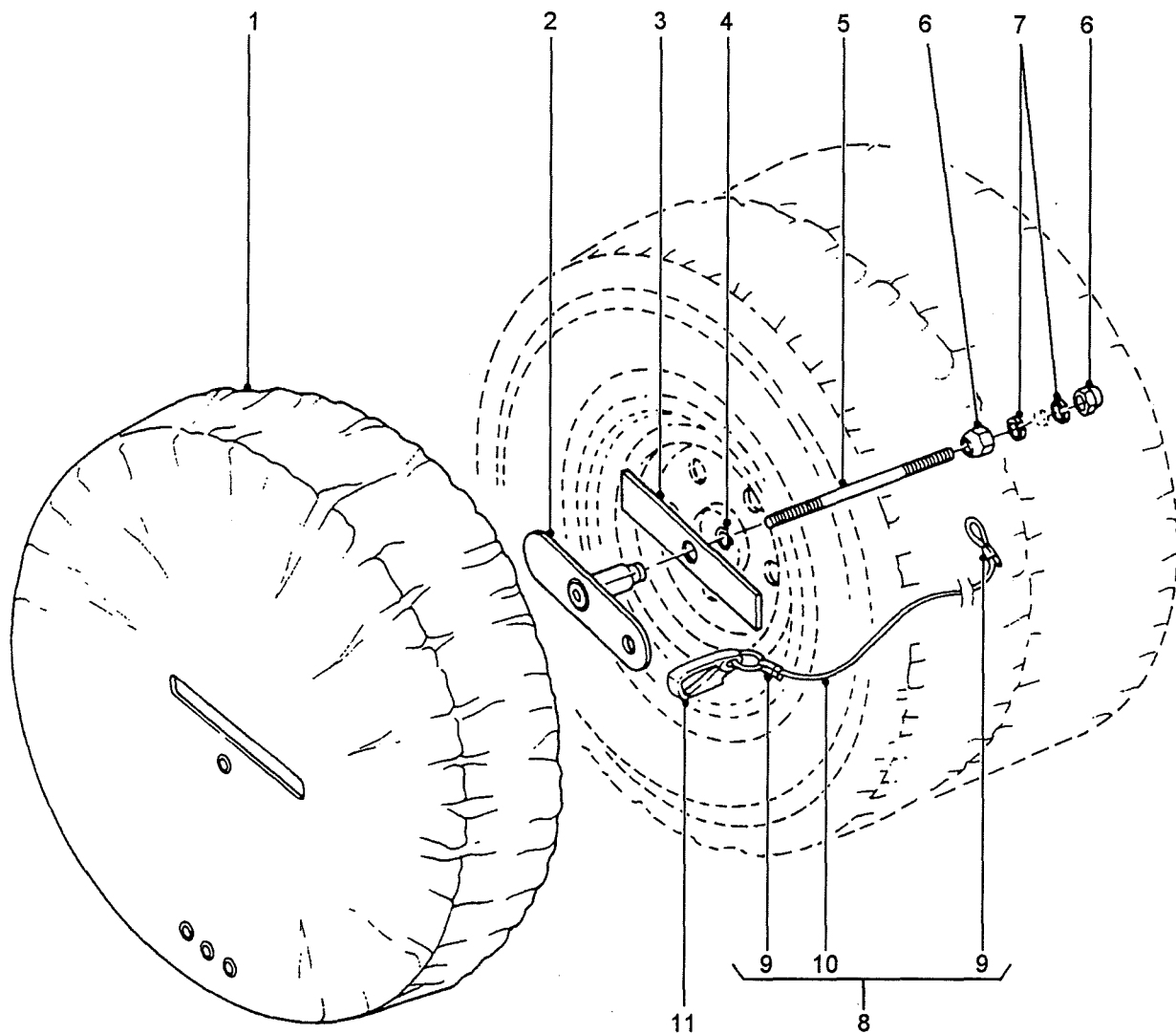
RC /1/1 SPARE WHEEL CARRIER - EXCEPT LRPV

| <u>ITEM</u> | <u>PART NO.</u> | <u>DESCRIPTION</u> | <u>NSN</u> | <u>DERIVATIVE CODE</u> | | | | | | | |
|-------------|-----------------|--------------------|------------------|------------------------|-------------|-------------|-------------|-------------|-------------|-------------|-------------|
| | | | | <u>2185</u> | <u>2186</u> | <u>2208</u> | <u>2209</u> | <u>2210</u> | <u>2211</u> | <u>2212</u> | <u>2219</u> |
| 1 | PA110401 | ROLL PIN | 5315-66-128-4616 | 1 | 1 | 1 | 1 | 1 | | 1 | 1 |
| 2 | AYG8070 | HANGER-SPARE WHEEL | 2590-66-128-4805 | 1 | 1 | 1 | 1 | 1 | | 1 | 1 |
| 3 | WL110001L | WASHER-LOCK | 5310-99-138-9228 | 4 | 4 | 4 | 4 | 4 | | 4 | 4 |
| 4 | SH110201L | BOLT | 5305-99-122-4909 | 4 | 4 | 4 | 4 | 4 | | 4 | 4 |
| 5 | NSS | | | | | | | | | | |
| 6 | NSS | | | | | | | | | | |
| 7 | NSS | | | | | | | | | | |
| 8 | NSS | | | | | | | | | | |
| 9 | AYG8109 | SHAFT-SPARE WHEEL | 3040-66-128-5763 | 1 | 1 | 1 | 1 | 1 | | 1 | 1 |
| 10 | MYH3337 | SCREW | 5305-66-128-5341 | 2 | 2 | 2 | 2 | 2 | | 2 | 2 |
| 11 | AYG8110 | STEADY-SHAFT | | 1 | 1 | 1 | 1 | 1 | | 1 | 1 |

CHANGE POINT

ARN INTRODUCTION

GROUP RC/2



**SPARE WHEEL MOUNTING AND COVERS
- LRPV ONLY**

PERENTIE LAND ROVER PARTS LIST

RC /2/1

SPARE WHEEL MOUNTING AND COVERS - LRPV ONLY

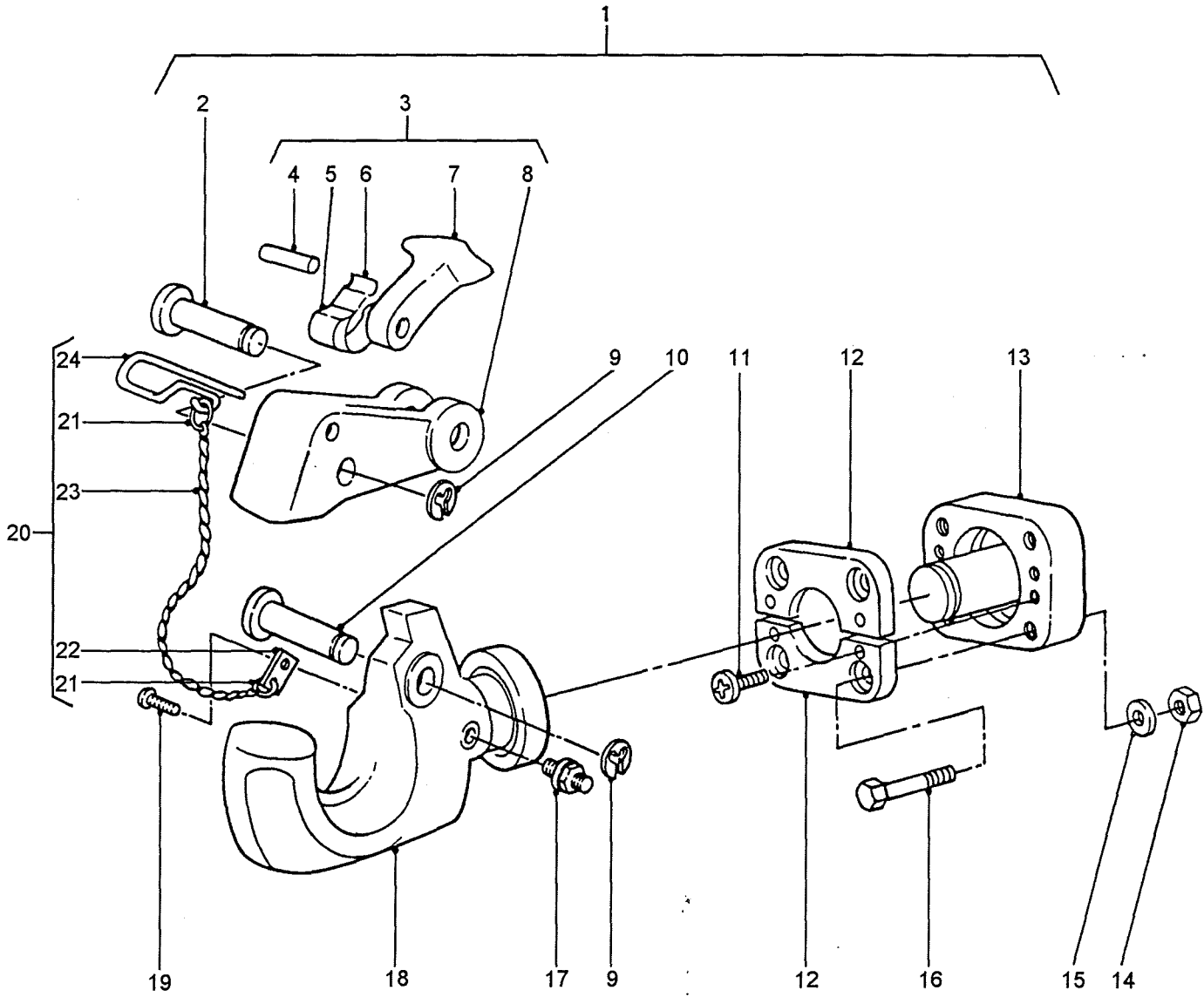
DERIVATIVE CODE

| <u>ITEM</u> | <u>PART NO.</u> | <u>DESCRIPTION</u> | <u>NSN</u> | <u>2185</u> | <u>2186</u> | <u>2208</u> | <u>2209</u> | <u>2210</u> | <u>2211</u> | <u>2212</u> | <u>2219</u> | <u>CP</u> |
|-------------|-----------------|-------------------------------|------------------|-------------|-------------|-------------|-------------|-------------|-------------|-------------|-------------|-----------|
| 1 | HYG3976 | COVER-SPARE WHEEL | | | | | | | | | | 2 |
| 2 | HYG3748 | CLAMP-SPARE WHEEL MOUNTING | 2590-66-128-6309 | | | | | | | | | 2 |
| 3 | HYG3733 | PLATE | | | | | | | | | | 2 |
| 4 | CR120245 | CIRCLIP | 5365-66-128-6202 | | | | | | | | | 2 |
| 5 | HYG4052 | STUD-CLAMP | 5306-66-128-6310 | | | | | | | | | 2 |
| 6 | 90577473 | NUT-WHEEL | 5310-99-819-1858 | | | | | | | | | 4 |
| 7 | WL116001 | WASHER-LOCK | 5310-99-135-4579 | | | | | | | | | 4 |
| 8 | HYG4079 | CORD-RETAINER | 4020-66-128-6311 | | | | | | | | | 2 |
| 9 | NSS | | | | | | | | | | | |
| 10 | NSS | | | | | | | | | | | |
| 11 | MYH3111 | PIN-LYNCH | 5315-66-128-5774 | | | | | | | | | 2 |

CHANGE POINT

ARN INTRODUCTION

GROUP RD



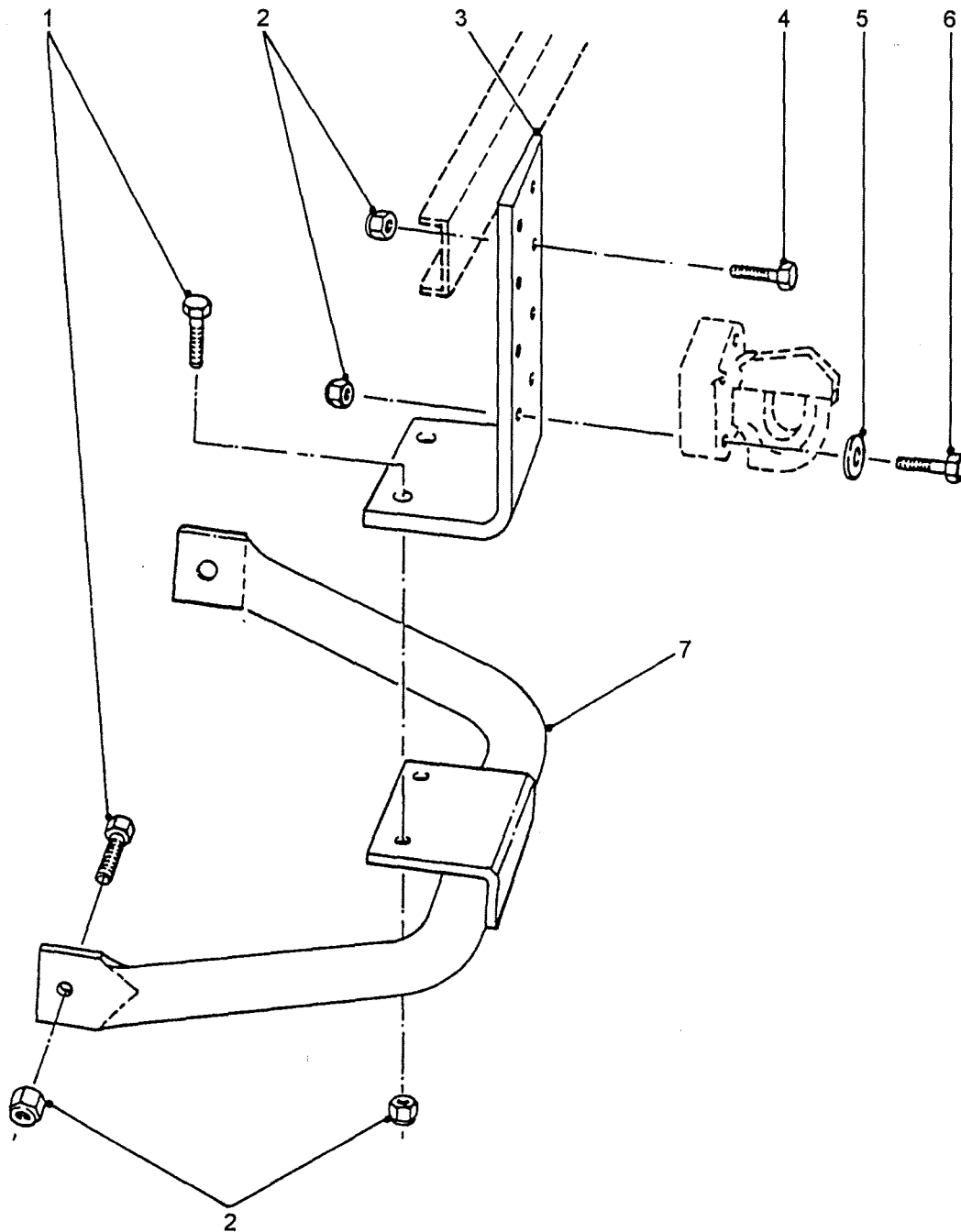
TOWING PINTLE

PERENTIE LAND ROVER PARTS LIST

| ITEM | RD /1/1 PART NO. | DESCRIPTION | NSN | DERIVATIVE CODE | | | | | | | | |
|------|---------------------|---|------------------|-----------------|------|------|------|------|------|------|------|----|
| | | | | 2185 | 2186 | 2208 | 2209 | 2210 | 2211 | 2212 | 2219 | CP |
| 1 | HYG6338 | TOWING PINTLE ASSY (INCLUDES 2, 3, 9-13, 17-20) | 2540-66-128-5861 | 1 | 1 | 1 | 1 | 1 | 1 | 1 | 1 | 1 |
| 2 | HYL8721 | PIN | 2540-99-825-6111 | 1 | 1 | 1 | 1 | 1 | 1 | 1 | 1 | 1 |
| 3 | HYL8712 | LOCK ASSY (INCLUDES ITEMS 4-8) | 2540-99-825-6550 | 1 | 1 | 1 | 1 | 1 | 1 | 1 | 1 | 1 |
| 4 | HYL8904 | PIN | | 1 | 1 | 1 | 1 | 1 | 1 | 1 | 1 | 1 |
| 5 | HYL8905 | SPRING-LATCH-OUTER | | 1 | 1 | 1 | 1 | 1 | 1 | 1 | 1 | 1 |
| 6 | HYL8906 | SPRING-LATCH-INNER | | 1 | 1 | 1 | 1 | 1 | 1 | 1 | 1 | 1 |
| 7 | HYL8907 | LATCH-PINTLE | 2540-66-052-4711 | 1 | 1 | 1 | 1 | 1 | 1 | 1 | 1 | 1 |
| 8 | HYL8908 | LOCK-PINTLE | 2540-66-128-5062 | 1 | 1 | 1 | 1 | 1 | 1 | 1 | 1 | 1 |
| 9 | HYL8909 | RING-RETAINING | 5365-66-128-5764 | 2 | 2 | 2 | 2 | 2 | 2 | 2 | 2 | 2 |
| 10 | HYL8720 | PIN-PIVOT LOCK | 2540-99-825-6112 | 1 | 1 | 1 | 1 | 1 | 1 | 1 | 1 | 1 |
| 11 | HYL8911 | SCREW | 5305-00-068-8431 | 4 | 4 | 4 | 4 | 4 | 4 | 4 | 4 | 4 |
| 12 | HYL8912 | PLATE-RETAINING | | 2 | 2 | 2 | 2 | 2 | 2 | 2 | 2 | 2 |
| 13 | HYL8913 | HOUSING | | 1 | 1 | 1 | 1 | 1 | 1 | 1 | 1 | 1 |
| 14 | NV112041 | NUT-LOCK | 5310-99-139-9037 | 4 | 4 | 4 | 4 | 4 | 4 | 4 | 4 | 4 |
| 15 | WA112081L | WASHER-PLAIN | 5310-99-122-6477 | 4 | 4 | 4 | 4 | 4 | | 4 | 4 | 4 |
| 16 | BH112241 | BOLT <i>M12x120</i> | | 4 | 4 | 4 | 4 | 4 | | 4 | 4 | 4 |
| 16 | MYH4719 | SCREW-TOWING PINTLE TO MOTOR CYCLE CRADLE | | | | | | | | 1 | | |
| 17 | HYL8910 | NIPPLE | 4730-12-124-1663 | 1 | 1 | 1 | 1 | 1 | 1 | 1 | 1 | 1 |
| 18 | HYL8914 | HOOK-TOWING | | 1 | 1 | 1 | 1 | 1 | 1 | 1 | 1 | 1 |
| 19 | HYL8717 | SCREW | 5305-00-514-7484 | 1 | 1 | 1 | 1 | 1 | 1 | 1 | 1 | 1 |
| 20 | HYL8718 | CHAIN ASSY | 4010-99-838-5427 | 1 | 1 | 1 | 1 | 1 | 1 | 1 | 1 | 1 |
| 21 | HYL8916 | RING | | 2 | 2 | 2 | 2 | 2 | 2 | 2 | 2 | 2 |
| 22 | HYL8918 | PLATE | | 1 | 1 | 1 | 1 | 1 | 1 | 1 | 1 | 1 |
| 23 | HYL8915 | CHAIN | | 1 | 1 | 1 | 1 | 1 | 1 | 1 | 1 | 1 |
| 24 | HYL8917 | PIN | 5315-99-838-5428 | 1 | 1 | 1 | 1 | 1 | 1 | 1 | 1 | 1 |

CHANGE POINT

ARN INTRODUCTION

GROUP RDA

**TOWING PINTLE MOUNTING
- AIR DEFENCE VEHICLES ONLY**

PERENTIE LAND ROVER PARTS LIST

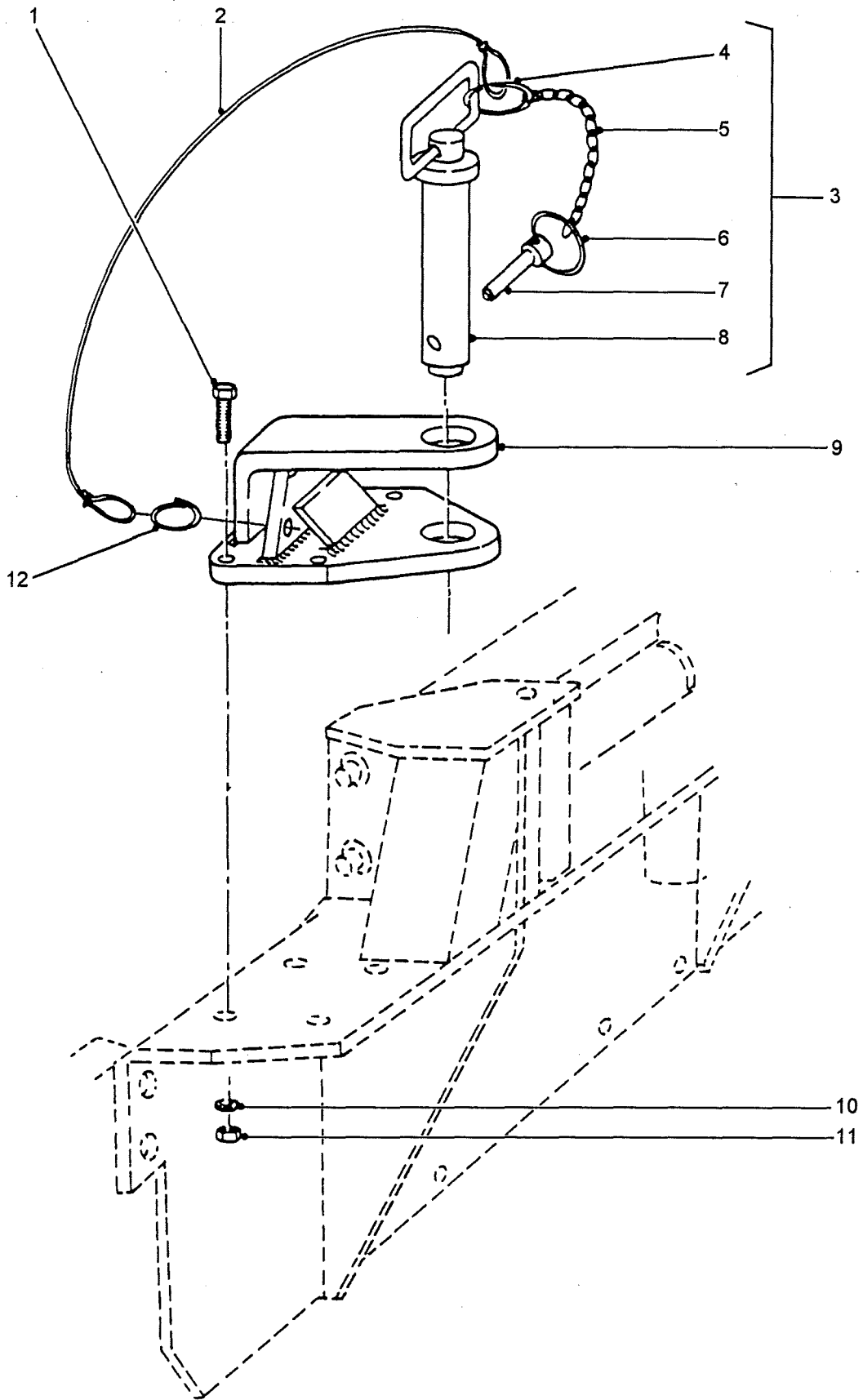
RDA /1/1 TOWING PINTLE MOUNTING - AIR DEFENCE VEHICLES ONLY

DERIVATIVE CODE

| <u>ITEM</u> | <u>PART NO.</u> | <u>DESCRIPTION</u> | <u>NSN</u> | <u>2185</u> | <u>2186</u> | <u>2208</u> | <u>2209</u> | <u>2210</u> | <u>2211</u> | <u>2212</u> | <u>2219</u> | <u>CP</u> |
|-------------|-----------------|-----------------------|------------------|-------------|-------------|-------------|-------------|-------------|-------------|-------------|-------------|-----------|
| 1 | SH112301L | SETSCREW | | | | | | | | | | 4 |
| 2 | NV112041 | NUT-LOCK | 5310-99-139-9037 | | | | | | | | | 12 |
| 3 | AYG8886 | MOUNTING ASSY | | | | | | | | | | 1 |
| 4 | BH112181 | BOLT <i>FB 112181</i> | | | | | | | | | | 4 |
| 5 | WA112081L | WASHER-PLAIN | 5310-99-122-6477 | | | | | | | | | 4 |
| 6 | BH112141L | BOLT | 5306-99-122-2791 | | | | | | | | | 4 |
| 7 | AYG8632 | SUPPORT ASSY | 2540-66-128-5960 | | | | | | | | | 1 |

CHANGE POINT

ARN INTRODUCTION

GROUP RDB

**PUSHING PINTLE ASSEMBLY
- AIR DEFENCE VEHICLES ONLY**

PERENTIE LAND ROVER PARTS LIST

RDB /1/1 PUSHING PINTLE ASSEMBLY - AIR DEFENCE VEHICLES ONLY

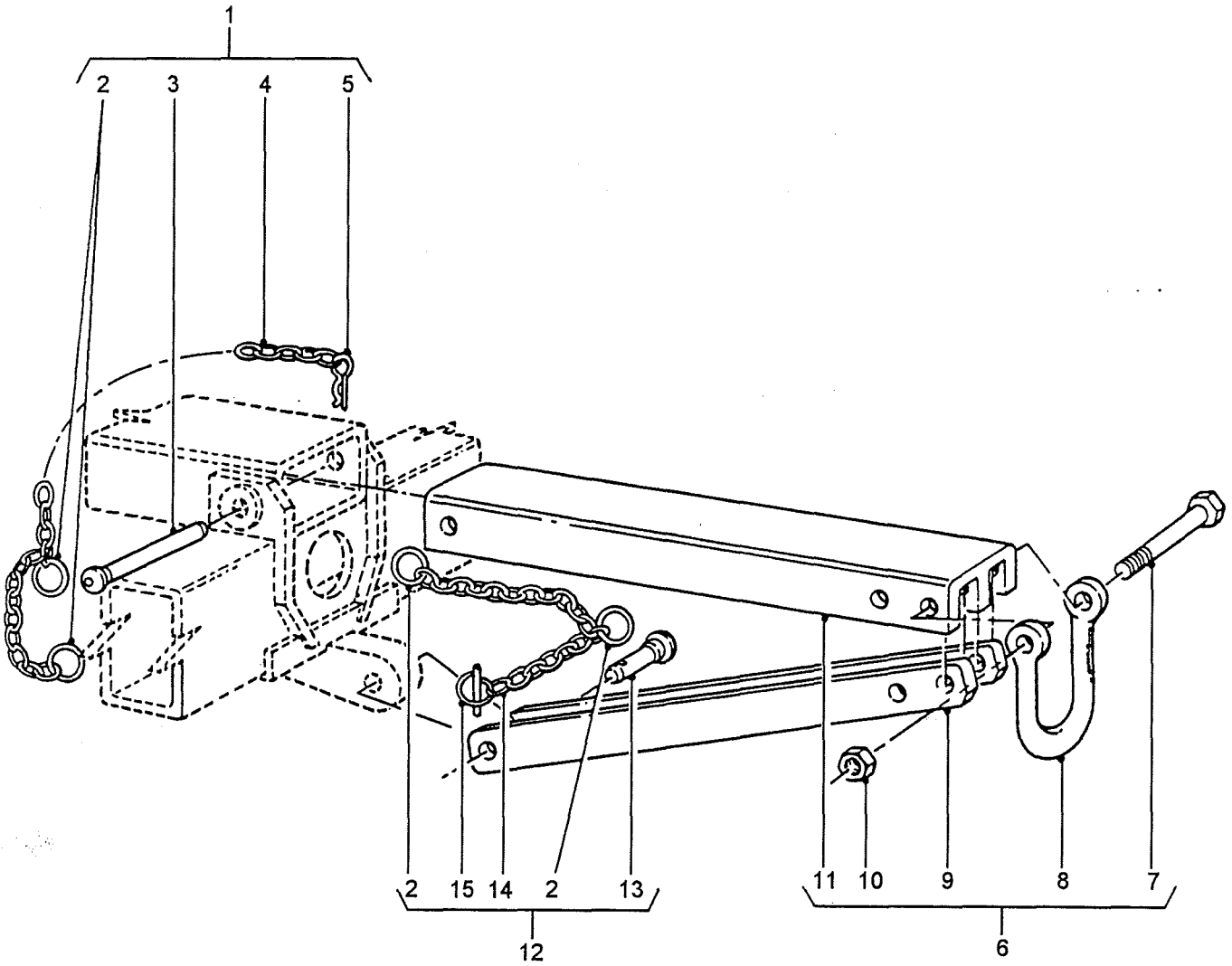
DERIVATIVE CODE

| <u>ITEM</u> | <u>PART NO.</u> | <u>DESCRIPTION</u> | <u>NSN</u> | <u>2185</u> | <u>2186</u> | <u>2208</u> | <u>2209</u> | <u>2210</u> | <u>2211</u> | <u>2212</u> | <u>2219</u> | <u>CP</u> |
|-------------|-----------------|--------------------|------------------|-------------|-------------|-------------|-------------|-------------|-------------|-------------|-------------|-----------|
| 1 | MYH3320 | SCREW | 5305-66-128-4620 | | | | | | | | | 4 |
| 2 | HYG3884 | RETAINER WIRE | | | | | | | | | | 1 |
| 3 | MYH3509 | PIN ASSY | 5315-66-128-5974 | | | | | | | | | 1 |
| 4 | NSS | | | | | | | | | | | |
| 5 | NSS | | | | | | | | | | | |
| 6 | NSS | | | | | | | | | | | |
| 7 | NSS | | | | | | | | | | | |
| 8 | NSS | | | | | | | | | | | |
| 9 | HYG3863 | PINTLE-PUSH | | | | | | | | | | 1 |
| 10 | WA112081L | WASHER-PLAIN | 5310-99-122-6477 | | | | | | | | | 4 |
| 11 | FN112041 | NUT | 5310-66-128-4585 | | | | | | | | | 4 |
| 12 | MYH2679 | RING/RETAINER | | | | | | | | | | 1 |

CHANGE POINT

ARN INTRODUCTION

GROUP RE/1



**REAR SLING ARM
- EXCEPT LRPV**

PERENTIE LAND ROVER PARTS LIST

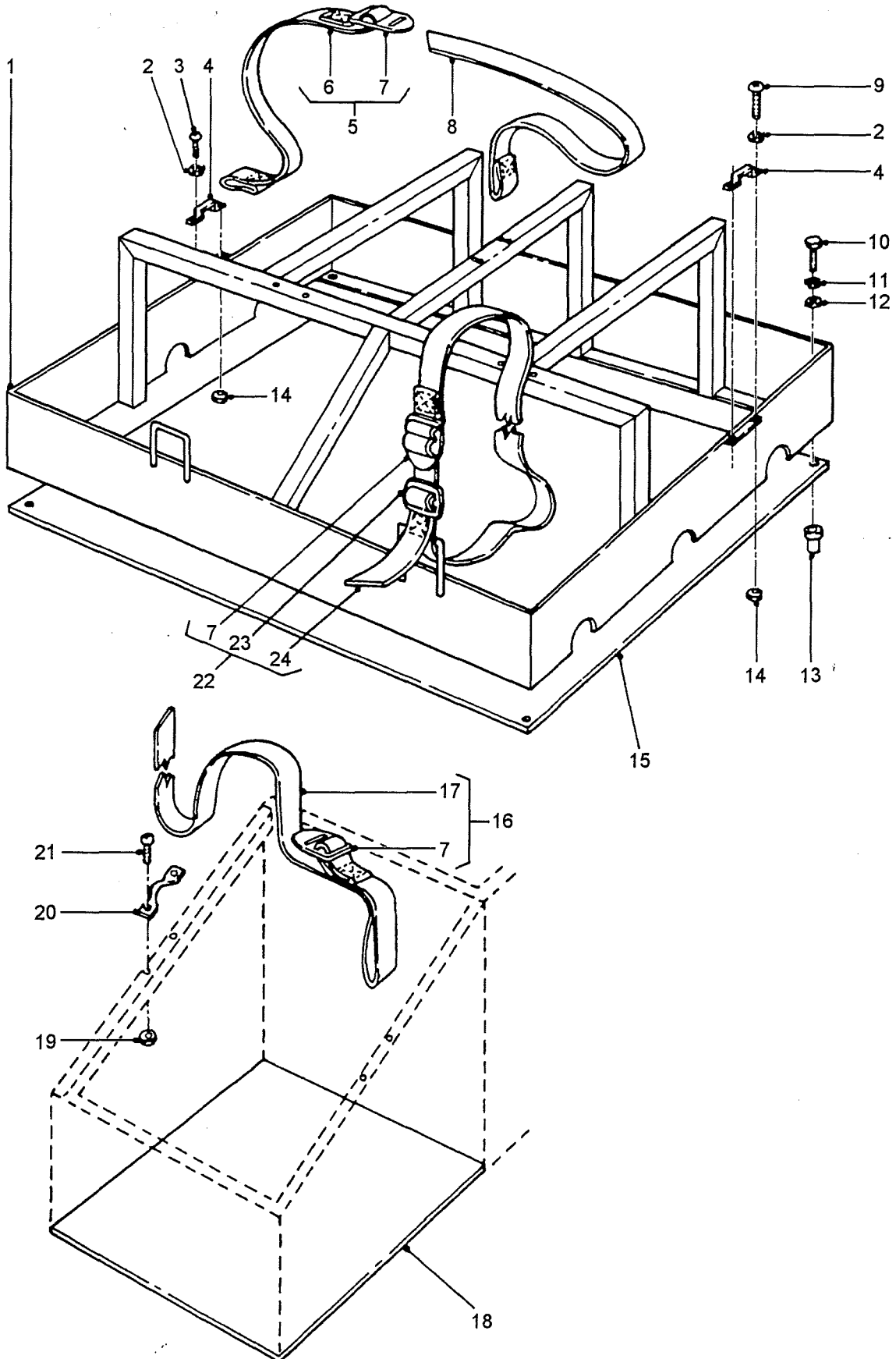
RE /1/1 REAR SLING ARM - EXCEPT LRPV

| <u>ITEM</u> | <u>PART NO.</u> | <u>DESCRIPTION</u> | <u>NSN</u> | <u>DERIVATIVE CODE</u> | | | | | | | |
|-------------|-----------------|--------------------|------------------|------------------------|-------------|-------------|-------------|-------------|-------------|-------------|-------------|
| | | | | <u>2185</u> | <u>2186</u> | <u>2208</u> | <u>2209</u> | <u>2210</u> | <u>2211</u> | <u>2212</u> | <u>2219</u> |
| 1 | HYG3723 | CHAIN/PIN ASSY | 2540-66-128-5765 | 2 | 2 | 2 | 2 | 2 | | 2 | 2 |
| 2 | MYH2679 | RING/RETAINER | | 8 | 8 | 8 | 8 | 8 | | 8 | 8 |
| 3 | HYG3722 | PIN-CLEVIS | 5315-66-128-5766 | 2 | 2 | 2 | 2 | 2 | | 2 | 2 |
| 4 | NSS | | | | | | | | | | |
| 5 | MYH3116 | CLIP-GRIP | 5315-66-128-5771 | 2 | 2 | 2 | 2 | 2 | | 2 | 2 |
| 6 | NSS | USE COMPONENTS | | | | | | | | | |
| 7 | AYG5974 | BOLT-SPECIAL | 5306-66-128-5768 | 2 | 2 | 2 | 2 | 2 | | 2 | 2 |
| 8 | HYG1575 | SHACKLE | 4030-66-128-5772 | 2 | 2 | 2 | 2 | 2 | | 2 | 2 |
| 9 | HYG3725 | ANCHOR | | 2 | 2 | 2 | 2 | 2 | | 2 | 2 |
| 10 | NV116041 | NUT | 5310-99-138-1498 | 2 | 2 | 2 | 2 | 2 | | 2 | 2 |
| 11 | HYG3721 | CHANNEL | | 2 | 2 | 2 | 2 | 2 | | 2 | 2 |
| 12 | HYG3672 | CHAIN/PIN ASSY | 2540-66-128-5770 | 2 | 2 | 2 | 2 | 2 | | 2 | 2 |
| 13 | HYG3671 | PIN-CLEVIS | 5315-66-128-5773 | 2 | 2 | 2 | 2 | 2 | | 2 | 2 |
| 14 | HYG3672 | CHAIN/PIN ASSY | 2540-66-128-5770 | 2 | 2 | 2 | 2 | 2 | | 2 | 2 |
| 15 | MYH3111 | PIN-LINCH | 5315-66-128-5774 | 2 | 2 | 2 | 2 | 2 | | 2 | 2 |

CHANGE POINT

ARN INTRODUCTION

GROUP RE/2

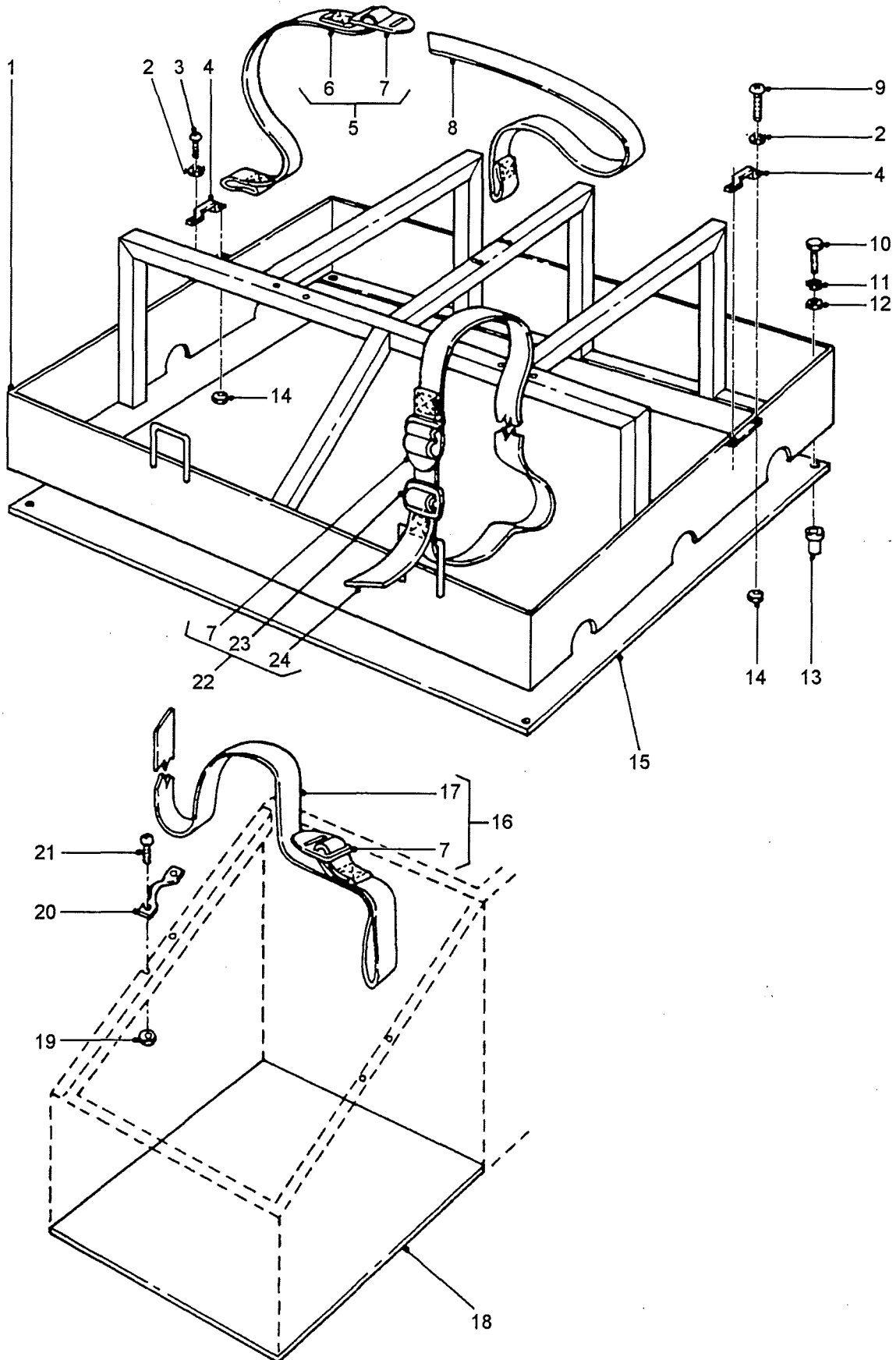


**JERRYCAN STOWAGE
- LRPV ONLY**

PERENTIE LAND ROVER PARTS LIST

RE /2/1 JERRYCAN STOWAGE - LRPV ONLY

| ITEM | PART NO. | DESCRIPTION | NSN | DERIVATIVE CODE | | | | | | |
|------|-----------|---|------------------|-----------------|------|------|------|------|------|------|
| | | | | 2185 | 2186 | 2208 | 2209 | 2210 | 2211 | 2212 |
| 1 | HYG4053 | HOLDER-JERRYCAN | | | | | | | | 1 |
| 2 | WA105001L | WASHER-PLAIN | 5310-99-122-3032 | | | | | | | 14 |
| 3 | SE105351 | SCREW | 5305-99-641-7463 | | | | | | | 10 |
| 4 | R395143 | STAPLE | 2540-99-824-6204 | | | | | | | 7 |
| 5 | HYG5685 | BELT AND BUCKLE ASSY | 5340-66-128-6313 | | | | | | | 1 |
| 6 | NSS | | | | | | | | | |
| 7 | NSS | | | | | | | | | |
| 8 | HYG5686 | BELT | 5340-66-128-6314 | | | | | | | 1 |
| 9 | SE105161L | SCREW | 5305-99-135-0430 | | | | | | | 4 |
| 10 | S108251 | SCREW | 5305-99-122-5367 | | | | | | | 4 |
| 11 | WL108001L | WASHER-LOCK | 5310-99-138-9227 | | | | | | | 4 |
| 12 | WA108051L | WASHER-PLAIN | 5310-99-122-6475 | | | | | | | 4 |
| 13 | MM108301 | RIVNUT | 5310-99-772-5133 | | | | | | | 4 |
| 14 | NY105041L | NUT-NYLOC | 5310-99-122-5494 | | | | | | | 14 |
| 15 | HYG4188 | MAT-FLOOR-JERRYCAN HOLDER | | | | | | | | 1 |
| 16 | HYG4122 | BELT ASSY-JERRYCAN TO STOWAGE BIN | 5340-66-128-6315 | | | | | | | 2 |
| 17 | NSS | | | | | | | | | |
| 18 | HYG5697 | MAT-SINGLE-JERRYCAN -REAR BODY STOWAGE | | | | | | | | 1 |
| | HYG5696 | MAT-DOUBLE-JERRYCAN -REAR BODY STOWAGE | | | | | | | | 1 |
| 19 | NY106041L | NUT-NYLOC | 5310-99-138-8423 | | | | | | | 8 |
| 20 | MYH3519 | STAPLE-JERRYCAN BELT TO REAR BODY | 2540-66-128-6316 | | | | | | | 4 |
| 21 | SE106351L | SCREW | 5305-99-198-0006 | | | | | | | 8 |
| 22 | HYG3676 | BELT ASSY-JERRYCAN HOLDER-REAR | 5340-66-128-6317 | | | | | | | 1 |
| 23 | NSS | | | | | | | | | |

GROUP RE/2

**JERRYCAN STOWAGE
- LRPV ONLY**

PERENTIE LAND ROVER PARTS LIST

RE /2/1 JERRYCAN STOWAGE - LRPV ONLY

DERIVATIVE CODE

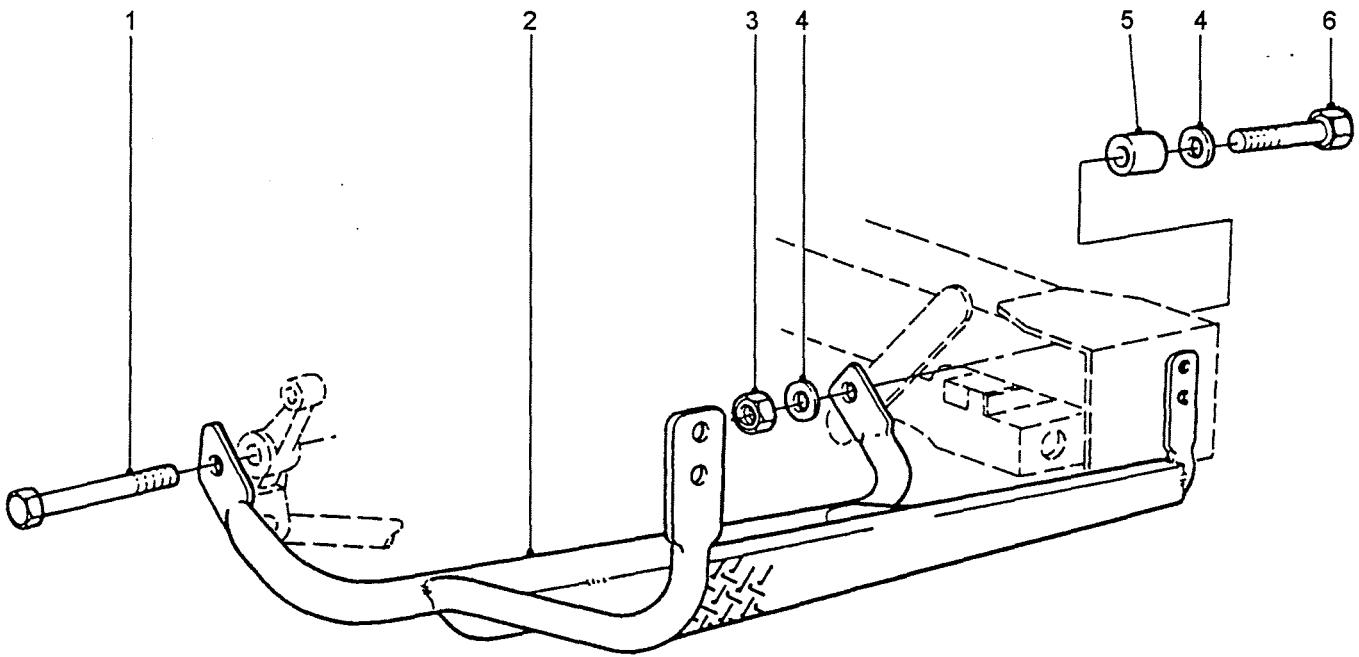
ITEM PART NO. DESCRIPTION NSN 2185 2186 2208 2209 2210 2211 2212 2219 CP

24 NSS

CHANGE POINT

ARN INTRODUCTION

GROUP RF



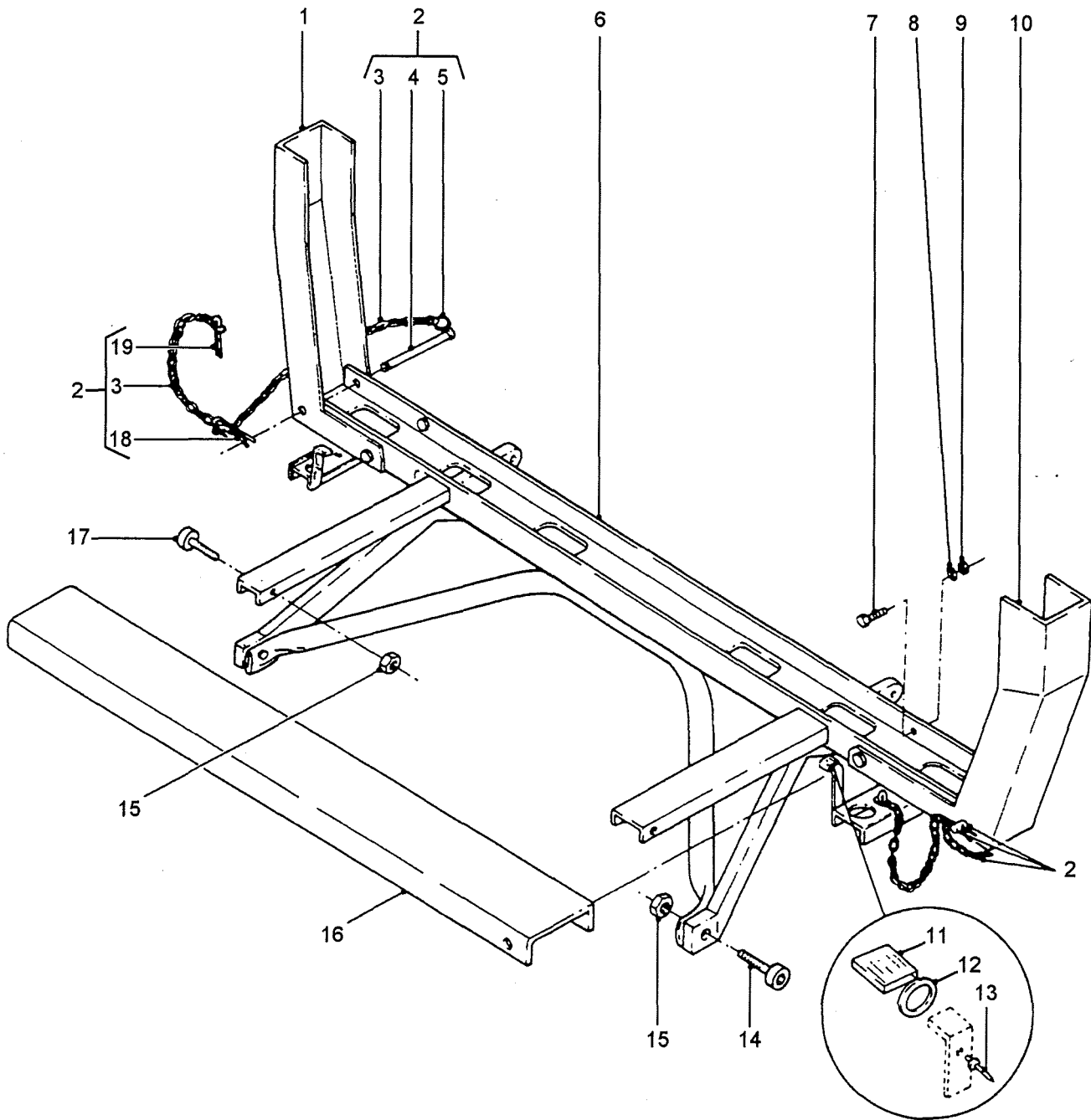
STEERING PROTECTOR

PERENTIE LAND ROVER PARTS LIST

RF /1/1 STEERING PROTECTOR

| ITEM | PART NO. | DESCRIPTION | NSN | DERIVATIVE CODE | | | | | | | | |
|------|-----------|-------------------------------------|------------------|-----------------|------|------|------|------|------|------|------|----|
| | | | | 2185 | 2186 | 2208 | 2209 | 2210 | 2211 | 2212 | 2219 | CP |
| 1 | R253948 | BOLT | 5306-99-941-1675 | 1 | 1 | 1 | 1 | 1 | 1 | 1 | 1 | 1 |
| 2 | AYG8931 | PROTECTOR-STEERING | 2540-66-128-6024 | 1 | 1 | 1 | 1 | 1 | 1 | 1 | 1 | 1 |
| 3 | NY608041L | NUT-NYLOC | 5310-99-943-4300 | 1 | 1 | 1 | 1 | 1 | 1 | 1 | 1 | 1 |
| 4 | WA112081L | WASHER-PLAIN | 5310-99-122-6477 | 2 | 2 | 2 | 2 | 2 | 2 | 2 | 2 | 2 |
| 5 | MYH3556 | SPACER | 5365-66-128-6021 | 1 | 1 | 1 | 1 | 1 | 1 | 1 | 1 | 1 |
| | MYH3572 | SPACER-WINCH MTG. ANGLE TO WINCH | 5365-66-128-6022 | | 2 | 2 | 2 | | | | 2 | 2 |
| 6 | R253948 | BOLT | 5306-99-941-1675 | 1 | 1 | 1 | 1 | 1 | 1 | 1 | 1 | 1 |

CH IE POINT ARN INTRODUCTION

GROUP RG**MOTORCYCLE CRADLE AND REAR SLING POINTS
- LRPV ONLY**

PERENTIE LAND ROVER PARTS LIST

RG /1/1

MOTORCYCLE CRADLE AND REAR SLING POINTS - LRPV ONLY

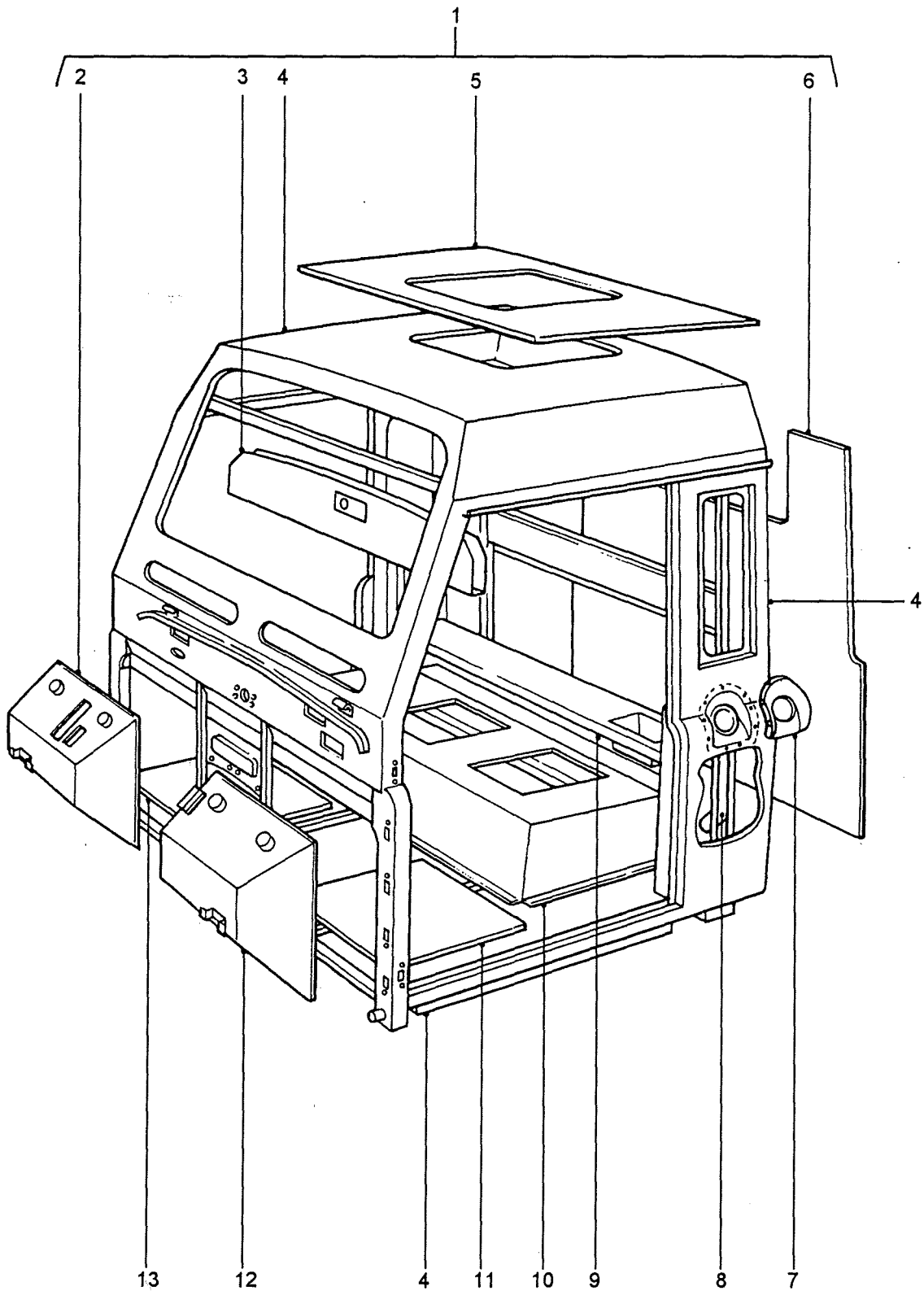
DERIVATIVE CODE

| <u>ITEM</u> | <u>PART NO.</u> | <u>DESCRIPTION</u> | <u>NSN</u> | <u>2185</u> | <u>2186</u> | <u>2208</u> | <u>2209</u> | <u>2210</u> | <u>2211</u> | <u>2212</u> | <u>2219</u> | <u>CP</u> |
|-------------|-----------------|--|------------------|-------------|-------------|-------------|-------------|-------------|-------------|-------------|-------------|-----------|
| 1 | AYG8900 | RETAINER ASSY-MOTORCYCLE-RH | | | | | | | | | | 1 |
| 2 | HYG4171 | PIN & CHAIN ASSY | 2540-66-128-6318 | | | | | | | | | 2 |
| 3 | NSS | | | | | | | | | | | |
| 4 | NSS | | | | | | | | | | | |
| 5 | MYH2679 | RING-RETAINER | | | | | | | | | | 1 |
| 6 | AYG8905 | CRADLE ASSY-MOTOR CYCLE & REAR SLING | | | | | | | | | | 1 |
| 7 | BH110071 | BOLT | 5306-99-122-2772 | | | | | | | | | 4 |
| 8 | WA110061L | WASHER-PLAIN | 5310-99-122-6476 | | | | | | | | | 4 |
| 9 | NV110041L | NUT | 5310-99-138-1473 | | | | | | | | | 4 |
| 10 | AYG8899 | RETAINER ASSY-MOTORCYCLE-LH | | | | | | | | | | 1 |
| 11 | MYH5323/65 | HOSE-MOTORCYCLE CRADLE RAMP RETENTION | 4720-66-128-6321 | | | | | | | | | 1 |
| 12 | WA105001L | WASHER-PLAIN | 5310-99-122-3032 | | | | | | | | | 2 |
| 13 | RU612503 | POP RIVET | | | | | | | | | | 2 |
| 14 | MYH3530 | SCREW | 5305-66-128-6319 | | | | | | | | | 2 |
| 15 | NV116041 | NUT | 5310-99-138-1498 | | | | | | | | | 4 |
| 16 | HYG4103 | RAMP-MOTOR CYCLE | | | | | | | | | | 1 |
| 17 | MYH3528 | SCREW | 5305-66-128-6320 | | | | | | | | | 2 |
| 18 | NSS | | | | | | | | | | | |
| 19 | PS106251L | SPLIT PIN | 5315-66-097-0335 | | | | | | | | | 1 |

CHANGE POINT

ARN INTRODUCTION

GROUP S/1



**CAB ASSEMBLY
EXCEPT CREW CAB AND LRPV**

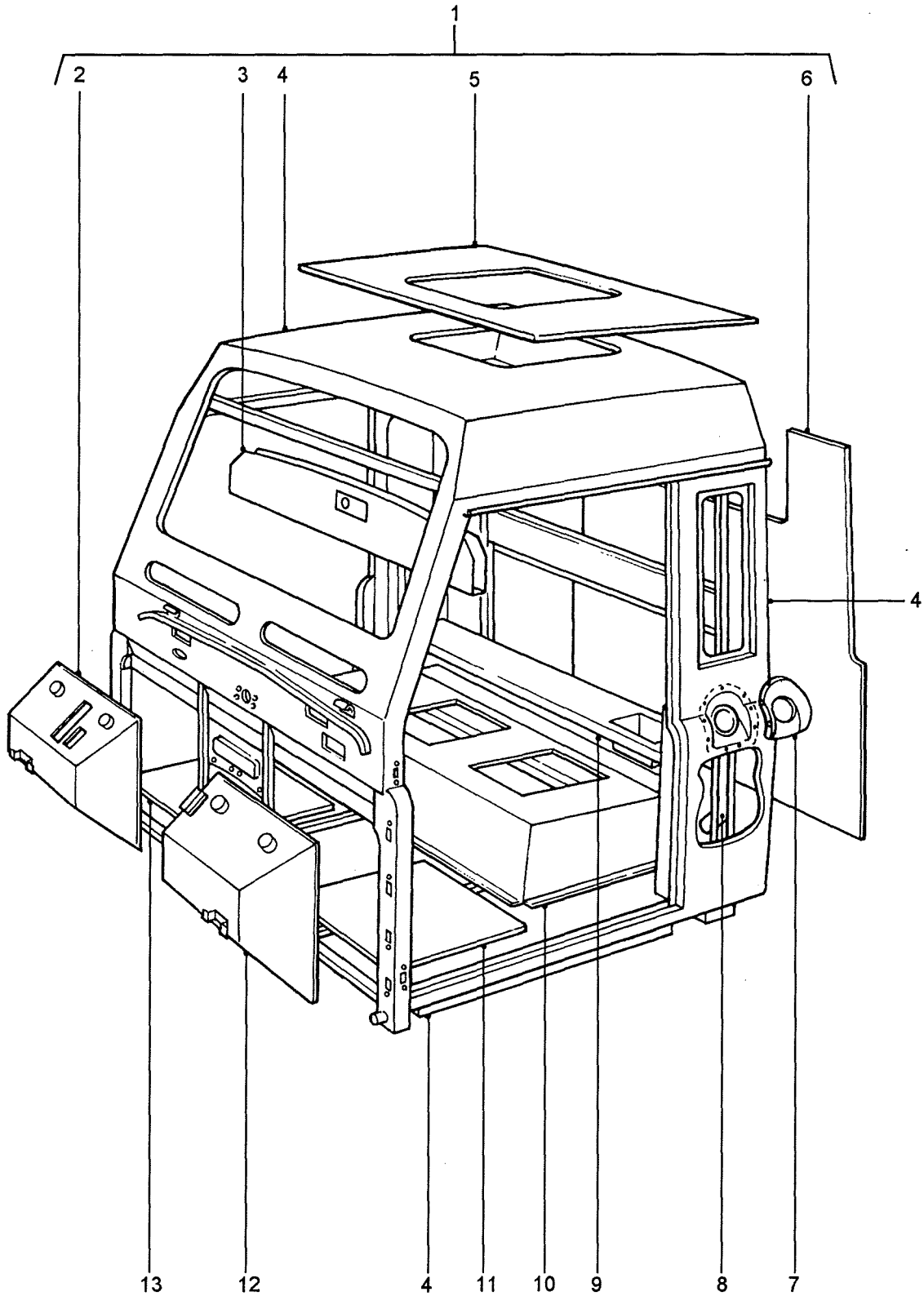
PERENTIE LAND ROVER PARTS LIST

S /1/1

CAB ASSEMBLY - EXCEPT CREW CAB AND LRPV

| ITEM | PART NO. | DESCRIPTION | NSN | DERIVATIVE CODE | | | | | | |
|------|-----------|--------------------------------------|------------------|-----------------|------|------|------|------|------|------|
| | | | | 2185 | 2186 | 2208 | 2209 | 2210 | 2211 | 2212 |
| 1 | HYG3202 | CAB SHELL | 2510-66-128-5775 | 1 | 1 | 1 | 1 | 1 | | 1 |
| 2 | HYG2734 | TOEBOX-RH | | 1 | 1 | 1 | 1 | 1 | | 1 |
| 3 | HYG3096 | RAIL-HEADER | | 1 | 1 | 1 | 1 | 1 | | 1 |
| 4 | NSS | | | | | | | | | |
| 5 | HYG3353 | PANEL-ROOF CENTRE | | 1 | 1 | 1 | 1 | 1 | | 1 |
| 6 | HYG2694 | PANEL-CAB REAR LOWER | | 1 | 1 | 1 | 1 | 1 | | 1 |
| 7 | MUC9158 | COWL-FUEL FILLER | | 2 | 2 | 2 | 2 | 2 | | 2 |
| 8 | AYG2913 | TUBE-FUEL FILLER AND BREATHING-LH | | 1 | 1 | 1 | 1 | 1 | | 1 |
| | AYG2914 | TUBE-FUEL FILLER AND BREATHING-RH | | 1 | 1 | 1 | 1 | 1 | | 1 |
| 9 | HYG2865 | PLATE-FLOOR-REAR CAB | | 1 | 1 | 1 | 1 | 1 | | 1 |
| 10 | HYG3712 | SEATBASE | | 1 | 1 | 1 | 1 | 1 | | 1 |
| 11 | HYG2825 | PANEL-FLOOR-LH | | 1 | 1 | 1 | 1 | 1 | | 1 |
| 12 | HYG2735 | TOEBOX-LH | | 1 | 1 | 1 | 1 | 1 | | 1 |
| 13 | HYG2824 | PANEL-FLOOR-RH | | 1 | 1 | 1 | 1 | 1 | | 1 |
| | ESR1650 | SEAL-FILLER TUBE TO BODY | | 2 | 2 | 2 | 2 | 2 | | 2 |
| | SP105121 | SCREW-FILLER PIPE TO BODY-UPPER | | 8 | 8 | 8 | 8 | 8 | | 8 |
| | C105001L | WASHER-PLAIN | 5310-99-122-3032 | 8 | 8 | 8 | 8 | 8 | | 8 |
| | WL105001L | WASHER-LOCK | 5310-99-977-1102 | 8 | 8 | 8 | 8 | 8 | | 8 |
| | SE106201L | SCREW-FILLER PIPE TO LOWER CAB | 5305-99-796-7536 | 2 | 2 | 2 | 2 | 2 | | 2 |
| | WJ106001L | WASHER-PLAIN | 5310-66-128-4699 | 2 | 2 | 2 | 2 | 2 | | 2 |
| | R78248 | POP RIVET-CAB ASSEMBLY | 5320-99-970-3518 | 121 | 121 | 121 | 121 | 121 | | 121 |
| | MM106301 | RIVNUT-CAB ASSEMBLY | 5310-66-128-5543 | 51 | 51 | 51 | 51 | 51 | | 51 |
| | AFU1298 | MONOBOLT-TOE BOX TO CAB FRAME | 5310-66-128-5186 | 24 | 24 | 24 | 24 | 24 | | 24 |

GROUP S/1



**CAB ASSEMBLY
EXCEPT CREW CAB AND LRPV**

PERENTIE LAND ROVER PARTS LIST

S /1/1

CAB ASSEMBLY - EXCEPT CREW CAB AND LRPV

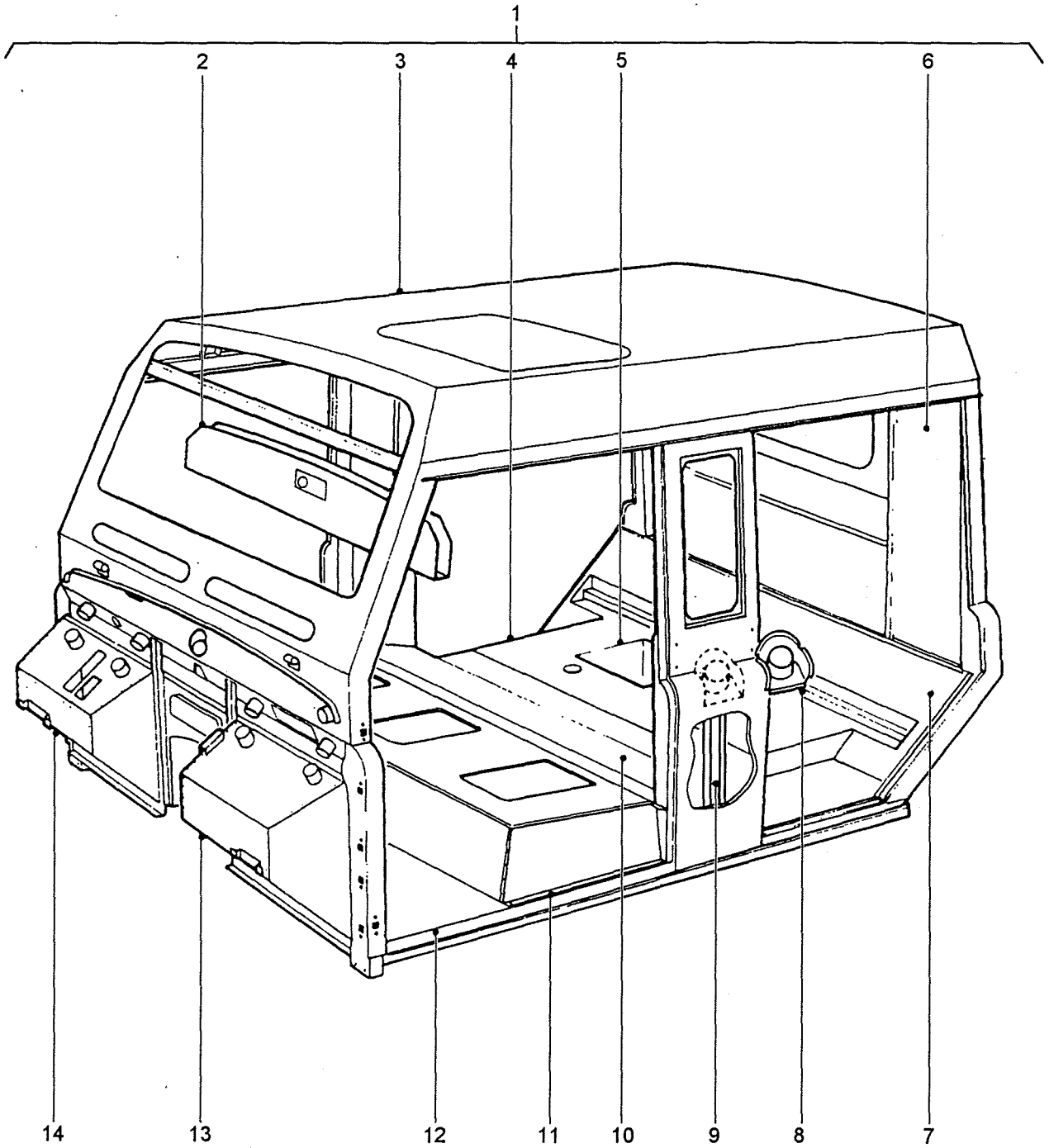
DERIVATIVE CODE

| <u>ITEM</u> | <u>PART NO.</u> | <u>DESCRIPTION</u> | <u>NSN</u> | <u>2185</u> | <u>2186</u> | <u>2208</u> | <u>2209</u> | <u>2210</u> | <u>2211</u> | <u>2212</u> | <u>2219</u> | <u>CP</u> |
|-------------|-----------------|---|------------------|-------------|-------------|-------------|-------------|-------------|-------------|-------------|-------------|-----------|
| | MM105301 | RIVNUT-PLATE-HEADER RAIL COVER | 5310-66-128-6277 | 6 | 6 | 6 | 6 | 6 | | | 6 | |
| | MM104301 | RIVNUT-REAR VISION MIRROR | | 3 | 3 | 3 | 3 | 3 | | | 3 | |
| | HYG2870 | NUT PLATE-SEAT BELT MOUNTING | | 1 | 1 | 1 | 1 | 1 | | | 1 | |
| | RA612253L | RIVET-NUT PLATE TO CAB REAR CROSSMEMBER | 5320-66-128-5117 | 2 | 2 | 2 | 2 | 2 | | | 2 | |
| | HYG4033 | NUTPLATE-SILL GUSSETS TO SEATBASE SIDES/SIDERAILS & B.C. POSTS | | 2 | 2 | 2 | 2 | 2 | | | 2 | |
| | AFU1298 | MONOBOLT-FLOOR PLATE TO CAB FRAME | 5310-66-128-5186 | 28 | 28 | 28 | 28 | 28 | | | 28 | |

CHANGE POINT

ARN INTRODUCTION

GROUP S/2/1



**CAB ASSEMBLY
CREW CAB ONLY**

PERENTIE LAND ROVER PARTS LIST

S /2/1

CAB ASSEMBLY - CREW CAB ONLY

DERIVATIVE CODE

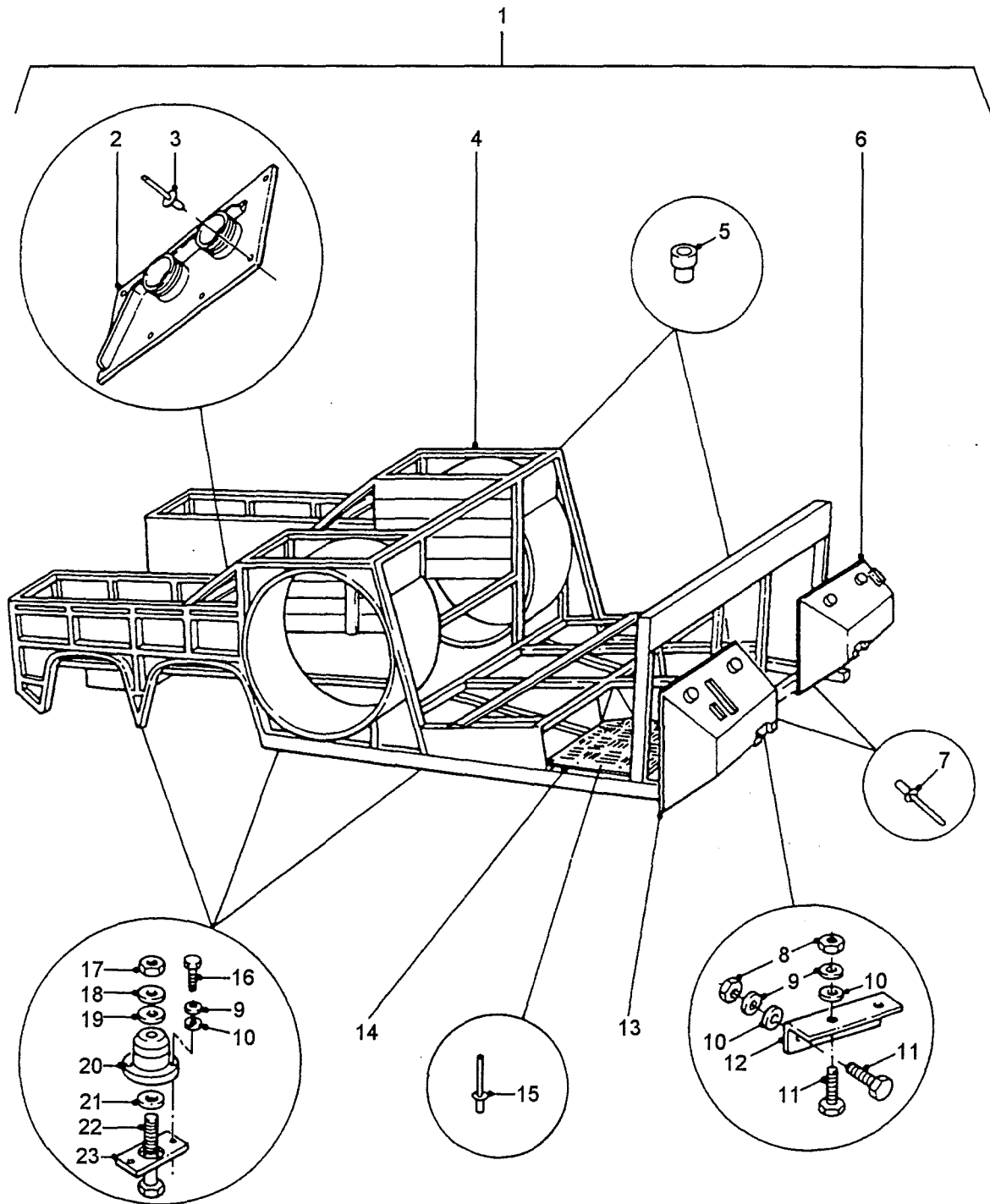
| <u>ITEM</u> | <u>PART NO.</u> | <u>DESCRIPTION</u> | <u>NSN</u> | <u>2185</u> | <u>2186</u> | <u>2208</u> | <u>2209</u> | <u>2210</u> | <u>2211</u> | <u>2212</u> | <u>2219</u> | <u>CP</u> |
|-------------|-----------------|--------------------------------------|------------------|-------------|-------------|-------------|-------------|-------------|-------------|-------------|-------------|-----------|
| 1 | HYG5928 | CAB ASSEMBLY | 2510-66-128-6412 | | | | | | | | | 1 |
| 2 | HYG3095 | HEADER RAIL ASSEMBLY | | | | | | | | | | 1 |
| | MM105301 | RIVNUT (PART OF HYG3095) | 5310-66-128-6277 | | | | | | | | | 6 |
| | MM104301 | RIVNUT (PART OF HYG3095) | | | | | | | | | | 3 |
| | MM106301 | RIVNUT (PART OF HYG3095) | 5310-66-128-5543 | | | | | | | | | 12 |
| | R78248 | POP RIVET | 5320-99-970-3518 | | | | | | | | | 197 |
| 3 | HYG3301 | PANEL-ROOF -WITH CUPOLA | | | | | | | | | | 1 |
| 4 | HYG3271 | PANEL-REAR FLOOR | | | | | | | | | | 1 |
| 5 | HYG6009 | BOX-BATTERY-TWIN | | | | | | | | | | 1 |
| 6 | HYG3151 | PANEL-CAB-REAR LOWER | | | | | | | | | | 1 |
| 7 | HYG3303 | PANEL-CLOSING -REAR FLOOR | | | | | | | | | | 1 |
| 8 | MUC9158 | COWL-FUEL FILLER | | | | | | | | | | 2 |
| 9 | AYG2913 | TUBE-FUEL FILLER AND BREATHING-LH | | | | | | | | | | 1 |
| | AYG2914 | TUBE-FUEL FILLER AND BREATHING-RH | | | | | | | | | | 1 |
| | ESR1650 | SEAL-FILLER TUBE TO BODY | | | | | | | | | | 2 |

CHANGE POINT

ARN INTRODUCTION

Oct 1995

GROUP S/3/1



BODY ASSEMBLY AND MOUNTINGS LRPV ONLY

PERENTIE LAND ROVER PARTS LIST

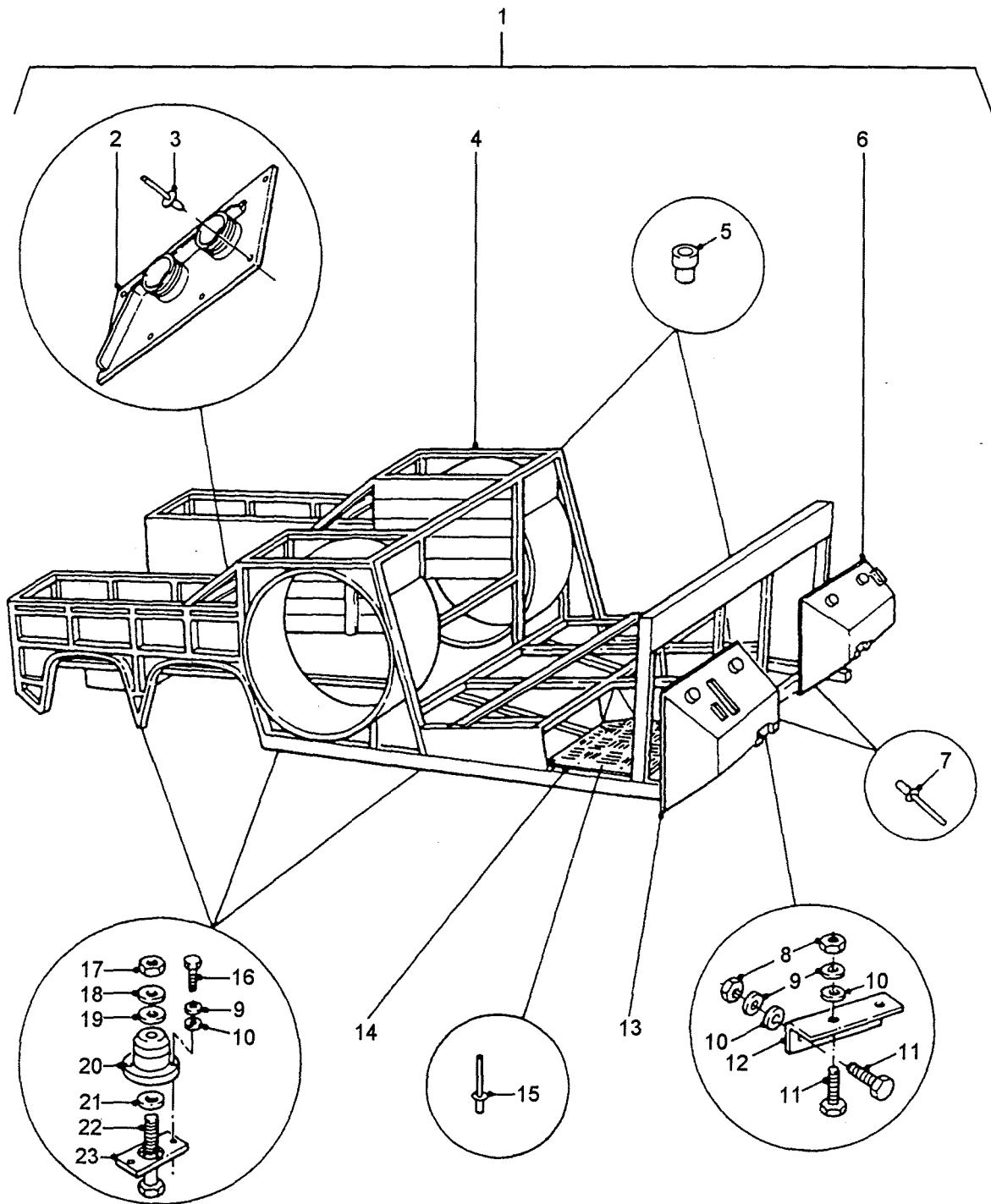
S /3/1

BODY ASSEMBLY AND MOUNTINGS - LRPV ONLY

DERIVATIVE CODE

| ITEM | PART NO. | DESCRIPTION | NSN | DERIVATIVE CODE | | | | | | | | | | | | | | | | |
|------|-----------|---|------------------|-----------------|------|------|------|------|------|------|------|----|--|--|--|--|--|--|--|----|
| | | | | 2185 | 2186 | 2208 | 2209 | 2210 | 2211 | 2212 | 2219 | CP | | | | | | | | |
| 1 | NSS | | | | | | | | | | | | | | | | | | | |
| 2 | HYG4139 | NECK-FUEL FILLER | | | | | | | | | | | | | | | | | | 1 |
| 3 | RA612253L | POP RIVET | 5320-66-128-5117 | | | | | | | | | | | | | | | | | 8 |
| 4 | HYG3859 | FRAME ASSY-WELDED & GALVANISED | | | | | | | | | | | | | | | | | | 1 |
| 5 | MM108301 | RIVNUT | 5310-99-772-5133 | | | | | | | | | | | | | | | | | 6 |
| | HYG4588 | NUT PLATE ASSY-CENTRE ROLL BAR TO FRONT SCUTTLE | | | | | | | | | | | | | | | | | | 1 |
| | R78248 | POP RIVET | 5320-99-970-3518 | | | | | | | | | | | | | | | | | 2 |
| | SH110351L | SCREW | | | | | | | | | | | | | | | | | | 4 |
| 6 | FS108251 | SCREW | 5305-99-122-5367 | | | | | | | | | | | | | | | | | 20 |
| 6 | HYG4091 | TOEBOX ASSY-LH | | | | | | | | | | | | | | | | | | 1 |
| 7 | AFU1298 | MONOBOLT | 5310-66-128-5186 | | | | | | | | | | | | | | | | | 24 |
| 8 | FN108041 | NUT | 5310-99-499-8033 | | | | | | | | | | | | | | | | | 8 |
| 9 | WL108001L | WASHER-LOCK | 5310-99-138-9227 | | | | | | | | | | | | | | | | | 20 |
| 10 | WA108051L | WASHER-PLAIN | 5310-99-122-6475 | | | | | | | | | | | | | | | | | 36 |
| 11 | FS108201 | SCREW | 5305-99-122-5366 | | | | | | | | | | | | | | | | | 8 |
| 12 | HYG2810 | BRACKET-SUPPORT-CAB FRONT-RH | | | | | | | | | | | | | | | | | | 1 |
| | HYG2811 | BRACKET-SUPPORT-CAB FRONT-LH | | | | | | | | | | | | | | | | | | 1 |
| 13 | HYG4090 | TOEBOX ASSY-RH | | | | | | | | | | | | | | | | | | 1 |
| 14 | HYG4218 | FLOOR PLATE-RH | | | | | | | | | | | | | | | | | | 1 |
| | HYG4217 | FLOOR PLATE-LH | | | | | | | | | | | | | | | | | | 1 |
| 15 | RJ612256 | POP RIVET-FLOOR PLATES | 5320-66-128-6328 | | | | | | | | | | | | | | | | | 23 |
| 17 | NY112041L | NUT-NYLOC | 5310-99-768-7269 | | | | | | | | | | | | | | | | | 10 |
| 18 | WA112081L | WASHER-PLAIN | 5310-99-122-6477 | | | | | | | | | | | | | | | | | 10 |
| 19 | WJ112007 | WASHER-PLAIN | 5310-66-128-5548 | | | | | | | | | | | | | | | | | 20 |
| 20 | AYG8693 | MOUNT-CAB TO CHASSIS | 5340-66-128-5778 | | | | | | | | | | | | | | | | | 10 |

GROUP S/3/1



BODY ASSEMBLY AND MOUNTINGS LRPV ONLY

PERENTIE LAND ROVER PARTS LIST

S /3/1

BODY ASSEMBLY AND MOUNTINGS - LRPV ONLY

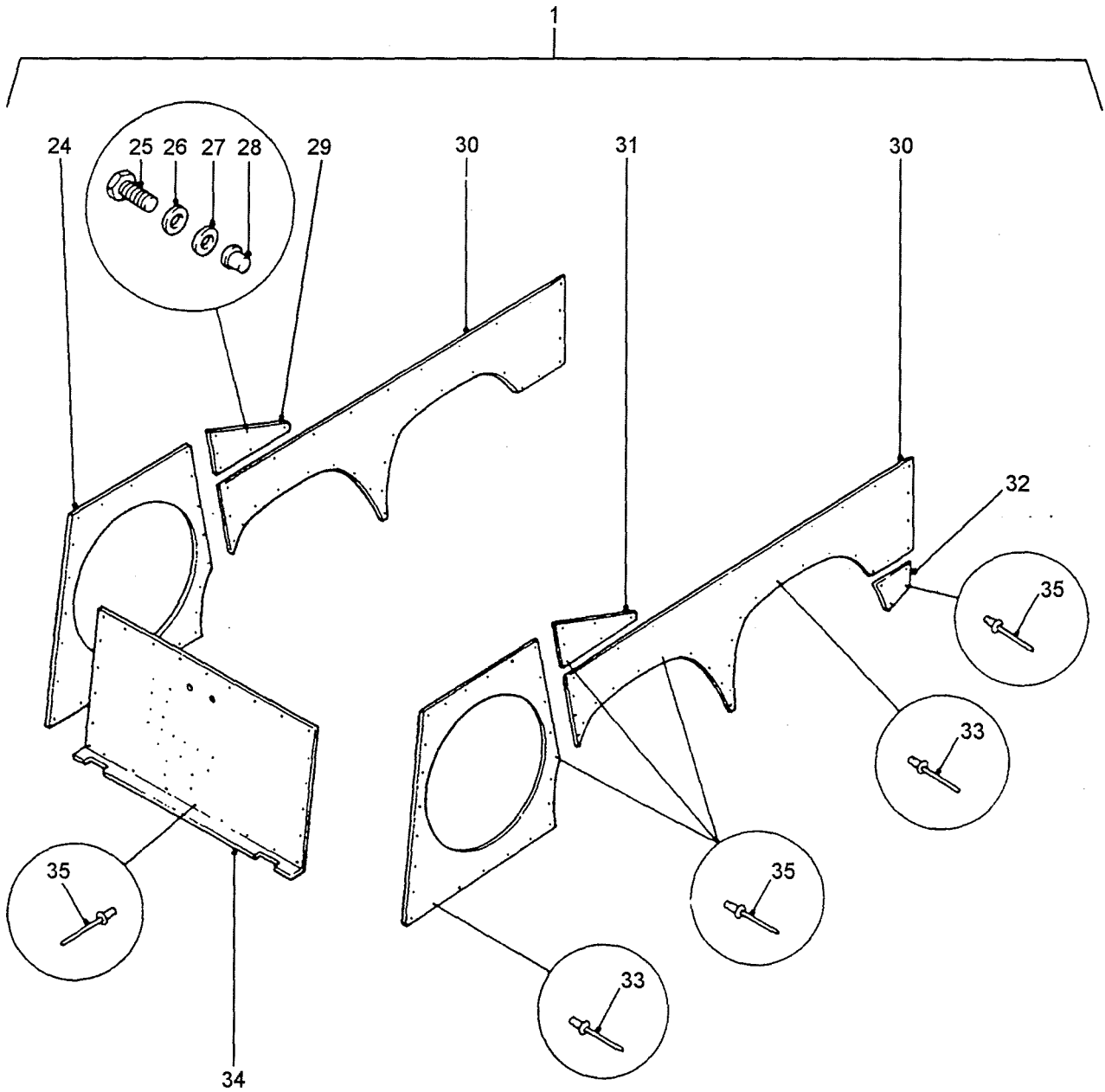
DERIVATIVE CODE

| <u>ITEM</u> | <u>PART NO.</u> | <u>DESCRIPTION</u> | <u>NSN</u> | <u>2185</u> | <u>2186</u> | <u>2208</u> | <u>2209</u> | <u>2210</u> | <u>2211</u> | <u>2212</u> | <u>2219</u> | <u>CP</u> |
|-------------|-----------------|------------------------------------|------------------|-------------|-------------|-------------|-------------|-------------|-------------|-------------|-------------|-----------|
| 21 | WL112001L | WASHER-LOCK | 5310-66-128-5111 | | | | | | | | | 10 |
| 22 | SH112701 | SCREW | 5305-66-128-5779 | | | | | | | | | 4 |
| | MRC9420 | TIE BOLT-CAB ASSY TO CHASSIS-FRONT | 5306-99-788-8131 | | | | | | | | | 2 |
| | WA112081L | WASHER-PLAIN | 5310-99-122-6477 | | | | | | | | | 10 |
| | NY112041L | NUT-NYLOC | 5310-99-768-7269 | | | | | | | | | 10 |
| | MYH3566 | SCREW-INBOARD-CAB | | | | | | | | | | 2 |
| | MYH3594 | SCREW-OUTBOARD-CAB | | | | | | | | | | 4 |
| 23 | AYG8691 | NUT PLATE ASSY-FRONT MOUNTING | | | | | | | | | | 6 |
| | NY108041L | NUT-NYLOC-CAB MOUNTS TO CHASSIS | 5310-99-122-5496 | | | | | | | | | 8 |

CHANGE POINT

ARN INTRODUCTION

GROUP S/3/2



BODY ASSEMBLY AND MOUNTINGS – CONTINUED LRPV ONLY

PERENTIE LAND ROVER PARTS LIST

S /3/2

BODY ASSEMBLY AND MOUNTINGS - CONTINUED - LRPV ONLY

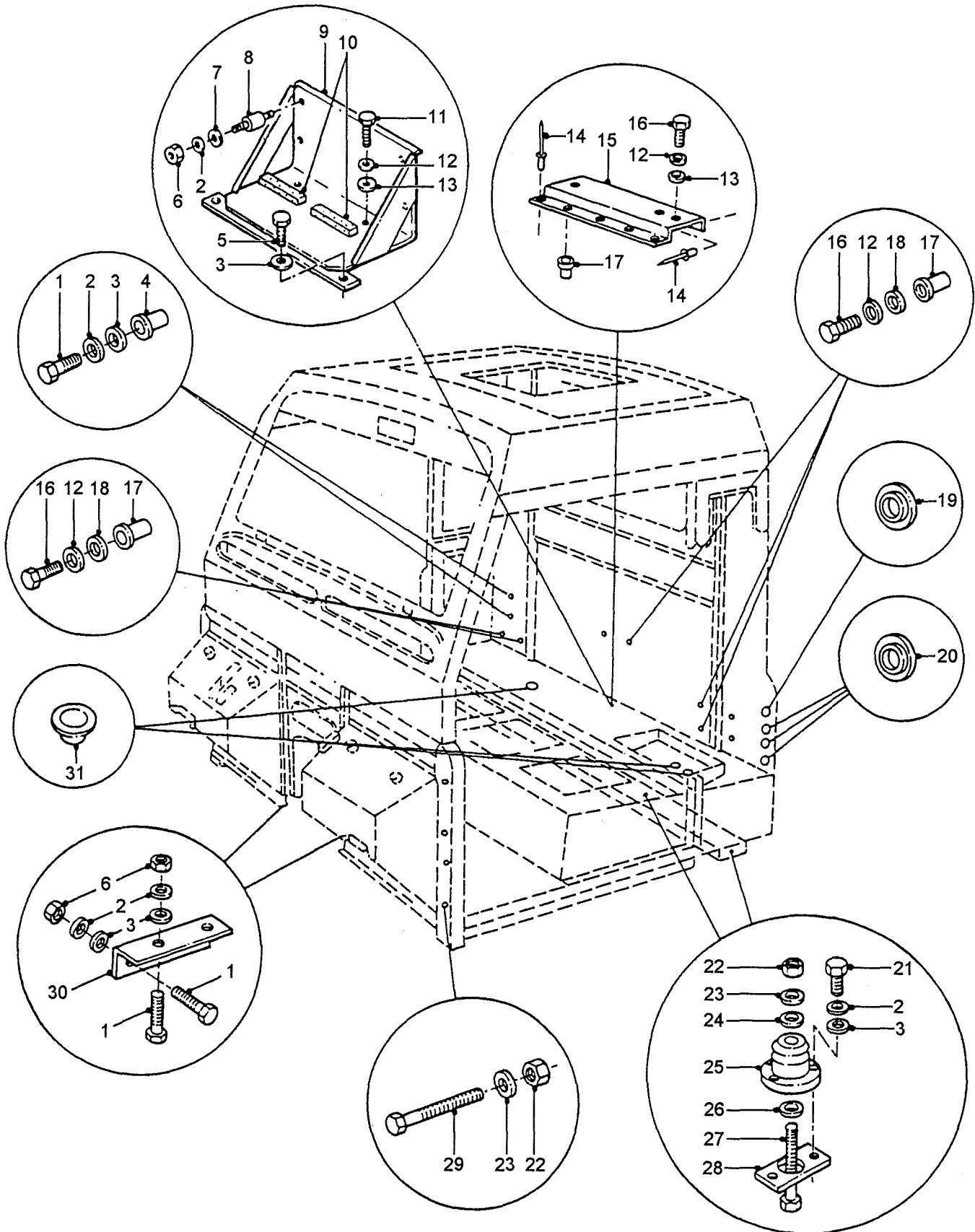
DERIVATIVE CODE

| <u>ITEM</u> | <u>PART NO.</u> | <u>DESCRIPTION</u> | <u>NSN</u> | <u>2185</u> | <u>2186</u> | <u>2208</u> | <u>2209</u> | <u>2210</u> | <u>2211</u> | <u>2212</u> | <u>2219</u> | <u>CP</u> |
|-------------|-----------------|---|------------------|-------------|-------------|-------------|-------------|-------------|-------------|-------------|-------------|-----------|
| 24 | HYG4142 | PANEL-MID SIDE-SKIN | 2510-66-128-6323 | | | | | | | | | 2 |
| 25 | FS106201 | SCREW | 5305-99-122-5361 | | | | | | | | | 6 |
| 26 | WL106001L | WASHER-LOCK | 5310-99-137-9232 | | | | | | | | | 6 |
| 27 | WA106041L | WASHER-PLAIN | 5310-66-098-4440 | | | | | | | | | 6 |
| 28 | NN106021 | NUTSERT | 5310-99-138-4838 | | | | | | | | | 6 |
| 29 | HYG4162 | PANEL-REAR QUARTER-RH-CENTRE | 2510-66-128-6324 | | | | | | | | | 1 |
| 30 | HYG4143 | PANEL-REAR-OUTER SKIN | 2510-66-128-6325 | | | | | | | | | 2 |
| 31 | HYG4154 | PANEL-REAR QUARTER-LH-CENTRE | 2510-66-128-6326 | | | | | | | | | 1 |
| 32 | HYG5673 | PANEL-REAR-LOWER | 2510-66-128-6327 | | | | | | | | | 2 |
| 33 | AJ612256 | POP RIVET | 5320-66-128-6328 | | | | | | | | | 50 |
| 34 | HYG4140 | PLATE-TRIM-CAB BACK | 2510-66-128-6329 | | | | | | | | | 1 |
| 35 | R78248 | POP RIVET | 5320-99-970-3518 | | | | | | | | | 123 |
| | HYG4021 | STRIP-BUFFER-REAR BODY | | | | | | | | | | 2 |
| | HYG4025 | CLAMP STRIP | | | | | | | | | | 2 |
| | RU612373L | POP RIVET-BUFFER AND CLAMP STRIP TO BODY REAR END | 5320-99-120-9002 | | | | | | | | | 6 |

CHANGE POINT

ARN INTRODUCTION

GROUP SA/1



**CAB MOUNTINGS – CHASSIS AND FFR
EQUIPMENT – EXCEPT CREW CAB AND LRPV**

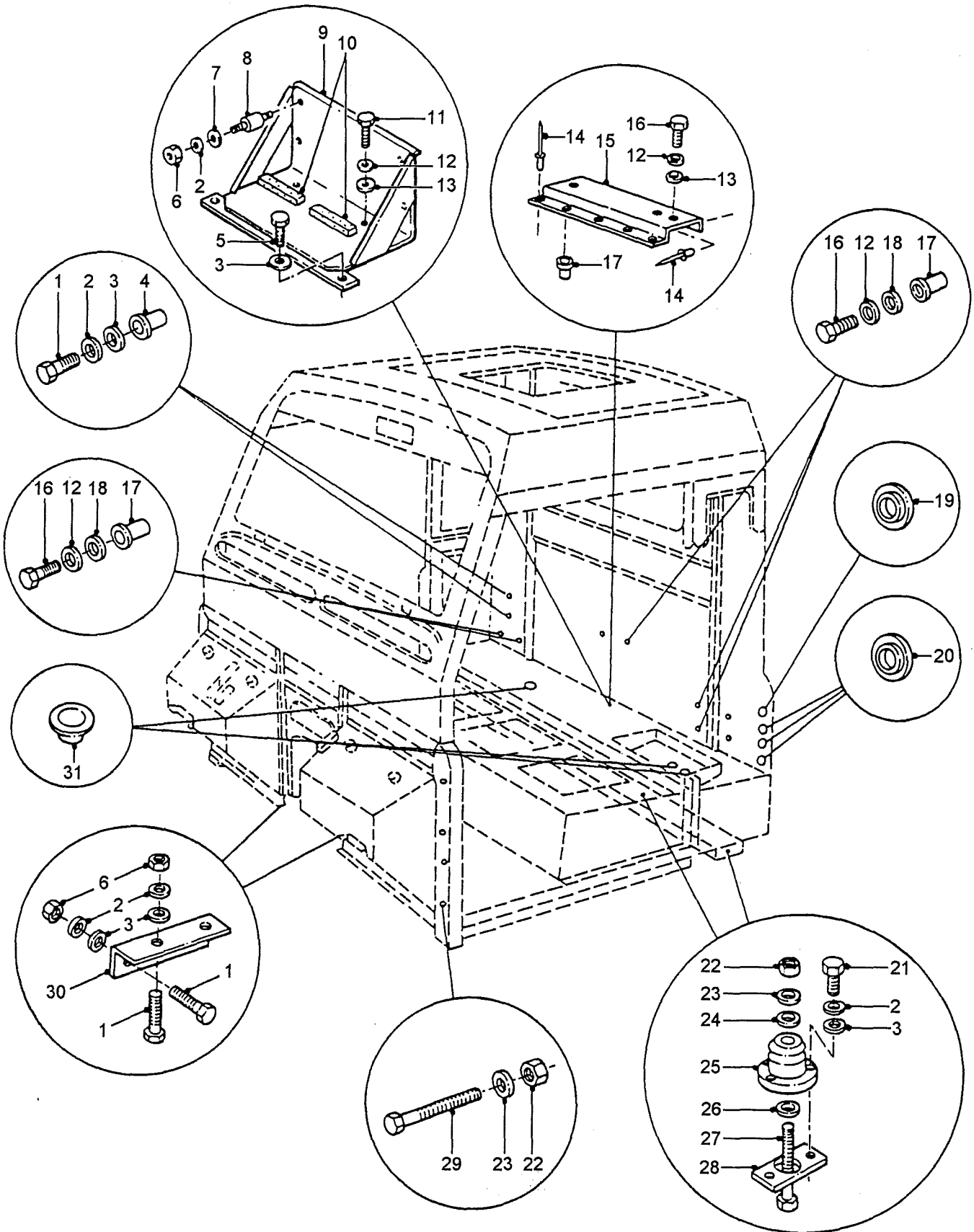
PERENTIE LAND ROVER PARTS LIST

SA /1/1 CAB MOUNTINGS - CHASSIS & FFR EQUIPMENT - EXCEPT CREW CAB & LRPV

DERIVATIVE CODE

| <u>ITEM</u> | <u>PART NO.</u> | <u>DESCRIPTION</u> | <u>NSN</u> | <u>2185</u> | <u>2186</u> | <u>2208</u> | <u>2209</u> | <u>2210</u> | <u>2211</u> | <u>2212</u> | <u>2219</u> | <u>CP</u> |
|-------------|-----------------|-----------------------------------|------------------|-------------|-------------|-------------|-------------|-------------|-------------|-------------|-------------|-----------|
| 1 | FS108201 | SCREW | 5305-99-122-5366 | 10 | 10 | 10 | 10 | 10 | | 10 | | |
| 2 | WL108001L | WASHER-LOCK | 5310-99-138-9227 | 18 | 18 | 18 | 18 | 18 | | 18 | | |
| 3 | WA108051L | WASHER-PLAIN | 5310-99-122-6475 | 18 | 18 | 18 | 18 | 18 | | 18 | | |
| 4 | MM108301 | RIVNUT | 5310-99-772-5133 | 2 | 2 | 2 | 2 | 2 | | 2 | | |
| 5 | FS108301 | SCREW | 5305-99-122-5368 | | | 2 | | | | 2 | | |
| 6 | FN108041 | NUT | 5310-99-499-8033 | 8 | 8 | 13 | 8 | 8 | | 13 | | |
| 7 | WA108051L | WASHER-PLAIN | 5310-99-122-6475 | | | 5 | | | | 5 | | |
| 8 | MYH3567 | CONNECTOR | | | | 5 | | | | 5 | | |
| 9 | HYG4157 | TRAY-MOUNTING | | | | 1 | | | | 1 | | |
| 10 | NSS | | | | | | | | | | | |
| 11 | SH106401 | SCREW | | | | 2 | | | | 2 | | |
| 12 | WM106001 | WASHER-LOCK | 5310-99-137-9232 | | | | | | | | | 11 |
| 13 | WA106041L | WASHER-PLAIN | 5310-66-098-4440 | 1 | 1 | 3 | 1 | 1 | | 3 | | |
| 14 | RU612373L | POP RIVET | 5320-99-120-9002 | 9 | 9 | 9 | 9 | 9 | | 9 | | |
| 15 | HYG3465 | BRACKET-RADIO MOUNT | | 1 | 1 | 1 | 1 | 1 | | 1 | | |
| 16 | FS106201 | SCREW | 5305-99-122-5361 | 9 | 9 | 9 | 9 | 9 | | 9 | | |
| 17 | MM106301 | RIVNUT | 5310-66-128-5543 | 10 | 10 | 10 | 10 | 10 | | 10 | | |
| 18 | WC106041L | WASHER-PLAIN | 5310-99-122-3411 | 8 | 8 | 8 | 8 | 8 | | 8 | | |
| 19 | MYH3396 | GROMMET-BLANKING | 5325-66-128-5776 | 1 | 1 | 1 | 1 | 1 | | 1 | | |
| 20 | MYH3323 | GROMMET-BLANKING | 5325-66-128-5777 | 3 | 3 | 3 | 3 | 3 | | 3 | | |
| 21 | FS108251 | SCREW | 5305-99-122-5367 | 8 | 8 | 8 | 8 | 8 | | 8 | | |
| 22 | NY112041L | NUT-NYLOC | 5310-99-768-7269 | 6 | 6 | 6 | 6 | 6 | | 6 | | |
| 23 | WA112081L | WASHER-PLAIN | 5310-99-122-6477 | 10 | 10 | 10 | 10 | 10 | | 10 | | |
| 24 | WJ112007 | WASHER-PLAIN | 5310-66-128-5548 | 8 | 8 | 8 | 8 | 8 | | 8 | | |
| 25 | AYG8693 | MOUNTING-CAB | 5340-66-128-5778 | 4 | 4 | 4 | 4 | 4 | | 4 | | |
| 26 | WL112001L | WASHER-LOCK | 5310-66-128-5111 | 4 | 4 | 4 | 4 | 4 | | 4 | | |
| 27 | SH112701 | SCREW | 5305-66-128-5779 | 4 | 4 | 4 | 4 | 4 | | 4 | | |
| 28 | AYG8691 | NUT PLATE-CAB MOUNT TO CHASSIS | | 4 | 4 | 4 | 4 | 4 | | 4 | | |

GROUP SA/1



**CAB MOUNTINGS – CHASSIS AND FFR
EQUIPMENT – EXCEPT CREW CAB AND LRPV**

PERENTIE LAND ROVER PARTS LIST

SA /1/1

CAB MOUNTINGS - CHASSIS & FFR EQUIPMENT - EXCEPT CREW CAB & LRPV

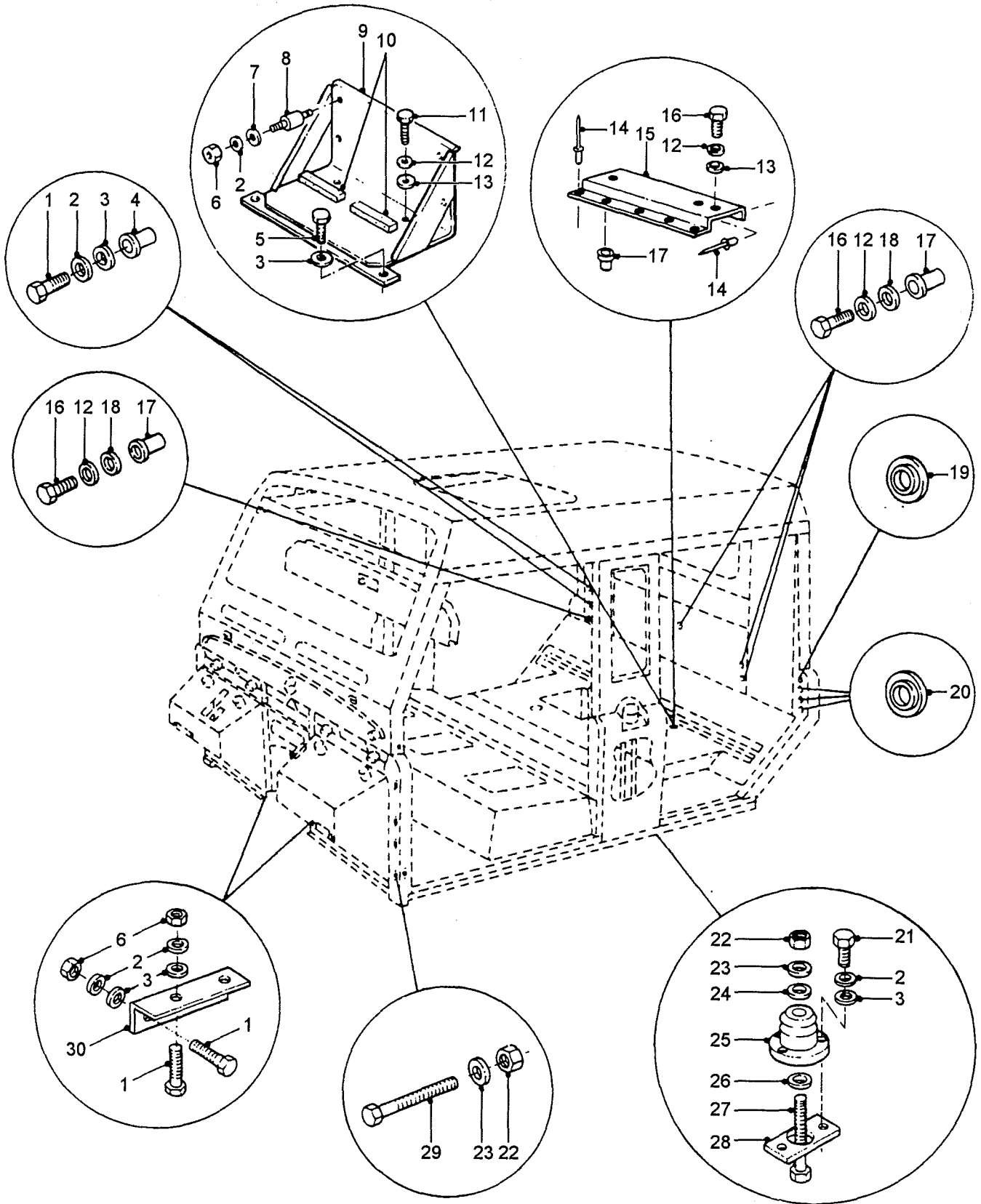
DERIVATIVE CODE

| <u>ITEM</u> | <u>PART NO.</u> | <u>DESCRIPTION</u> | <u>NSN</u> | <u>2185</u> | <u>2186</u> | <u>2208</u> | <u>2209</u> | <u>2210</u> | <u>2211</u> | <u>2212</u> | <u>2219</u> | <u>CP</u> |
|-------------|-----------------|-----------------------------------|------------------|-------------|-------------|-------------|-------------|-------------|-------------|-------------|-------------|-----------|
| 29 | MRC9420 | TIE BOLT | 5306-99-788-8131 | 2 | 2 | 2 | 2 | 2 | | | 2 | |
| 30 | HYG2810 | SUPPORT-BRACKET-RH | | 1 | 1 | 1 | 1 | 1 | | | 1 | |
| | HYG2811 | SUPPORT-BRACKET-LH | | 1 | 1 | 1 | 1 | 1 | | | 1 | |
| 31 | MYH3384 | PLUG-FLOOR | 5325-66-128-5780 | 5 | 5 | 5 | 5 | 5 | | | 5 | |
| | BD15588/8 | PLUG-ACCESS HOLE-REAR CAB MTG. | 5325-99-828-1013 | 1 | 1 | 1 | 1 | 1 | | | 1 | |

CHANGE POINT

ARN INTRODUCTION

GROUP SA/2



**CAB MOUNTINGS – CHASSIS EQUIPMENT
– CREW CAB ONLY**

PERENTIE LAND ROVER PARTS LIST

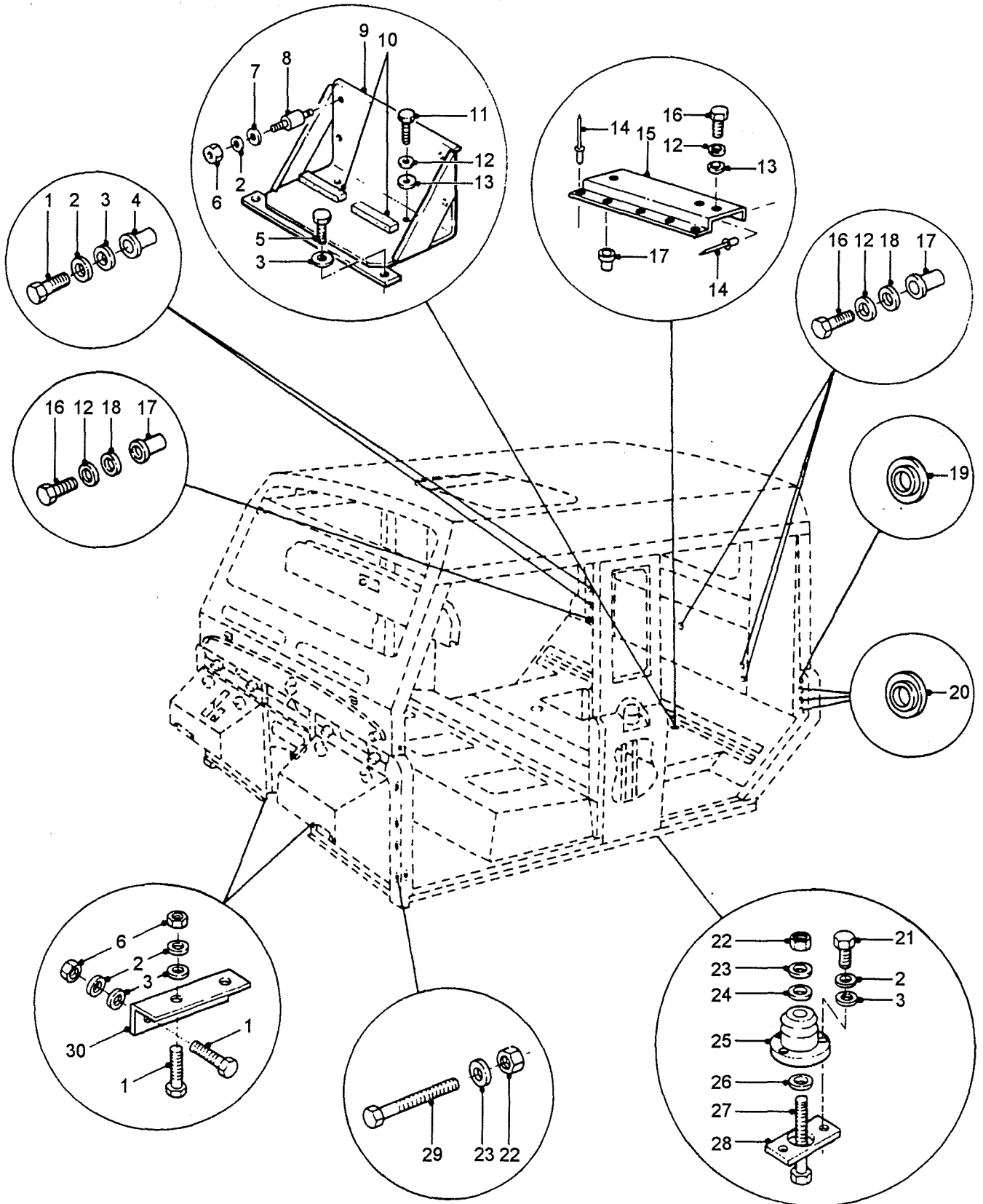
SA /2/1

CAB MOUNTINGS - CHASSIS - CREW CAB ONLY

DERIVATIVE CODE

| <u>ITEM</u> | <u>PART NO.</u> | <u>DESCRIPTION</u> | <u>NSN</u> | <u>2185</u> | <u>2186</u> | <u>2208</u> | <u>2209</u> | <u>2210</u> | <u>2211</u> | <u>2212</u> | <u>2219</u> | <u>CP</u> |
|-------------|-----------------|---------------------|------------------|-------------|-------------|-------------|-------------|-------------|-------------|-------------|-------------|-----------|
| 1 | FS108201 | SCREW | 5305-99-122-5366 | | | | | | | | | 10 |
| 2 | WL108001L | WASHER-LOCK | 5310-99-138-9227 | | | | | | | | | 18 |
| 3 | WA108051L | WASHER-PLAIN | 5310-99-122-6475 | | | | | | | | | 18 |
| 4 | MM108301 | RIVNUT | 5310-99-772-5133 | | | | | | | | | 2 |
| 5 | FS108301 | BOLT | 5305-99-122-5368 | | | | | | | | | 2 |
| 6 | NT108041L | NUT | 5310-66-098-4402 | | | | | | | | | 13 |
| 7 | WA108051L | WASHER-PLAIN | 5310-99-122-6475 | | | | | | | | | 5 |
| 8 | MYH3567 | CONNECTOR | | | | | | | | | | 5 |
| 9 | HYG4157 | TRAY-MOUNTING | | | | | | | | | | 1 |
| 10 | NSS | | | | | | | | | | | |
| 11 | SH106401 | SCREW | | | | | | | | | | 2 |
| 12 | WM106001 | WASHER-LOCK | 5310-99-137-9232 | | | | | | | | | 11 |
| 13 | WA106041L | WASHER-PLAIN | 5310-66-098-4440 | | | | | | | | | 3 |
| 14 | RU612373L | POP RIVET | 5320-99-120-9002 | | | | | | | | | 9 |
| 15 | HYG3465 | BRACKET-RADIO MOUNT | | | | | | | | | | 1 |
| 16 | FS106201 | SCREW | 5305-99-122-5361 | | | | | | | | | 9 |
| 17 | MM106301 | RIVNUT | 5310-66-128-5543 | | | | | | | | | 10 |
| 18 | WC106041L | WASHER-PLAIN | 5310-99-122-3411 | | | | | | | | | 8 |
| 19 | MYH3396 | GROMMET-BLANKING | 5325-66-128-5776 | | | | | | | | | 1 |
| 20 | MYH3323 | GROMMET-BLANKING | 5325-66-128-5777 | | | | | | | | | 3 |
| 21 | FS108251 | SCREW | 5305-99-122-5367 | | | | | | | | | 8 |
| 22 | NY112041L | NUT-NYLOC | 5310-99-768-7269 | | | | | | | | | 6 |
| 23 | WA112081L | WASHER-PLAIN | 5310-99-122-6477 | | | | | | | | | 10 |
| 24 | WJ112007 | WASHER-PLAIN | 5310-66-128-5548 | | | | | | | | | 8 |
| 25 | AYG8693 | MOUNTING-CAB | 5340-66-128-5778 | | | | | | | | | 4 |
| 26 | WL112001L | WASHER-LOCK | 5310-66-128-5111 | | | | | | | | | 4 |
| 27 | SH112701 | SCREW | 5305-66-128-5779 | | | | | | | | | 4 |
| 28 | AYG8691 | NUT PLATE | | | | | | | | | | 4 |
| 29 | MRC9420 | BOLT | 5306-99-788-8131 | | | | | | | | | 2 |

GROUP SA/2



CAB MOUNTINGS – CHASSIS EQUIPMENT – CREW CAB ONLY

PERENTIE LAND ROVER PARTS LIST

SA /2/1

CAB MOUNTINGS - CHASSIS - CREW CAB ONLY

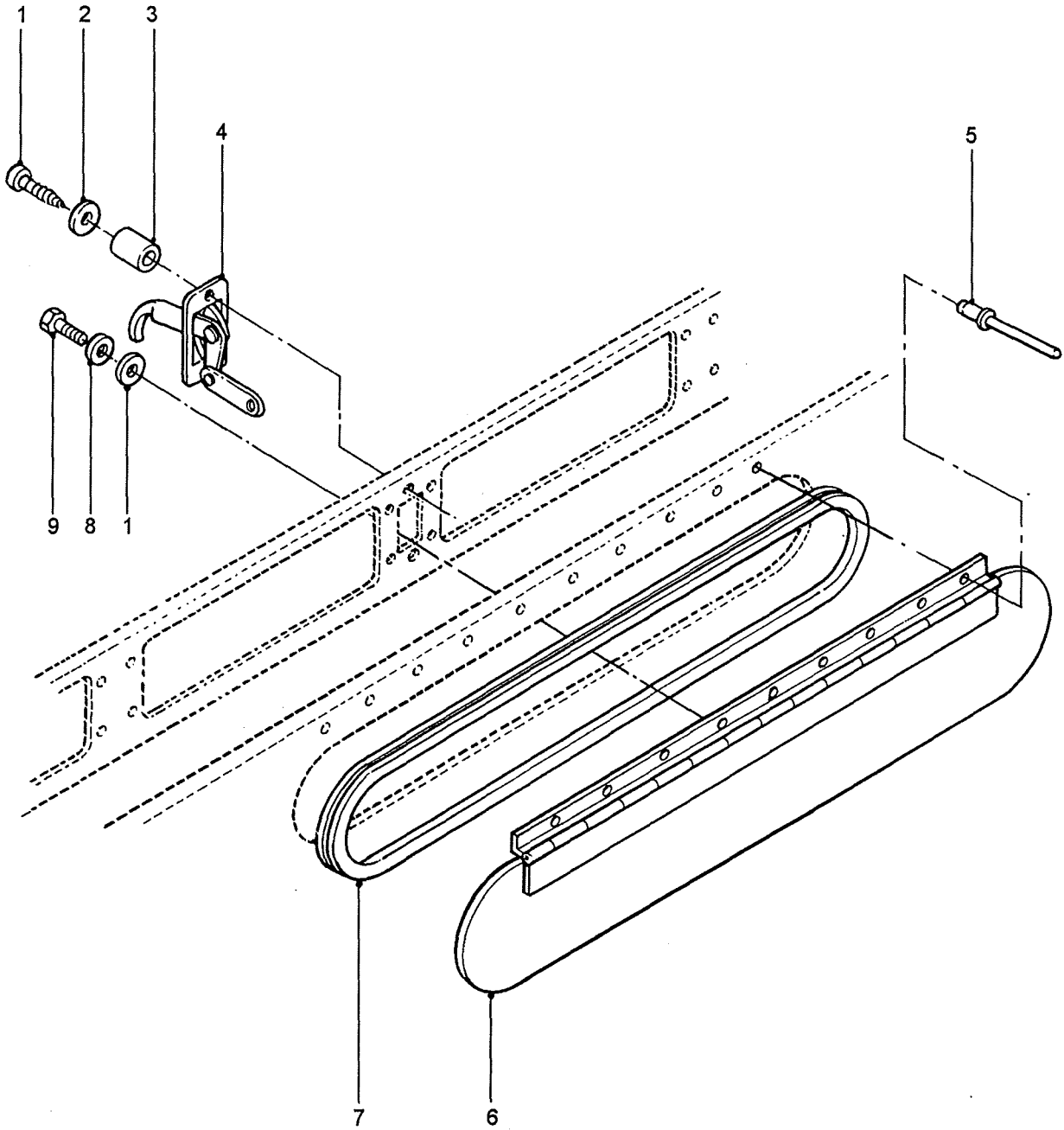
DERIVATIVE CODE

| <u>ITEM</u> | <u>PART NO.</u> | <u>DESCRIPTION</u> | <u>NSN</u> | <u>2185</u> | <u>2186</u> | <u>2208</u> | <u>2209</u> | <u>2210</u> | <u>2211</u> | <u>2212</u> | <u>2219</u> | <u>CP</u> |
|-------------|-----------------|---------------------------------|------------|-------------|-------------|-------------|-------------|-------------|-------------|-------------|-------------|-----------|
| 30 | HYG2810 | BRACKET-SUPPORT-CAB FRONT-RH | | | | | | | | | | 1 |
| | HYG2811 | BRACKET-SUPPORT-CAB FRONT-LH | | | | | | | | | | 1 |

CHANGE POINT

ARN INTRODUCTION

GROUP SAA



**DASH VENTILATORS
- EXCEPT LRPV**

PERENTIE LAND ROVER PARTS LIST

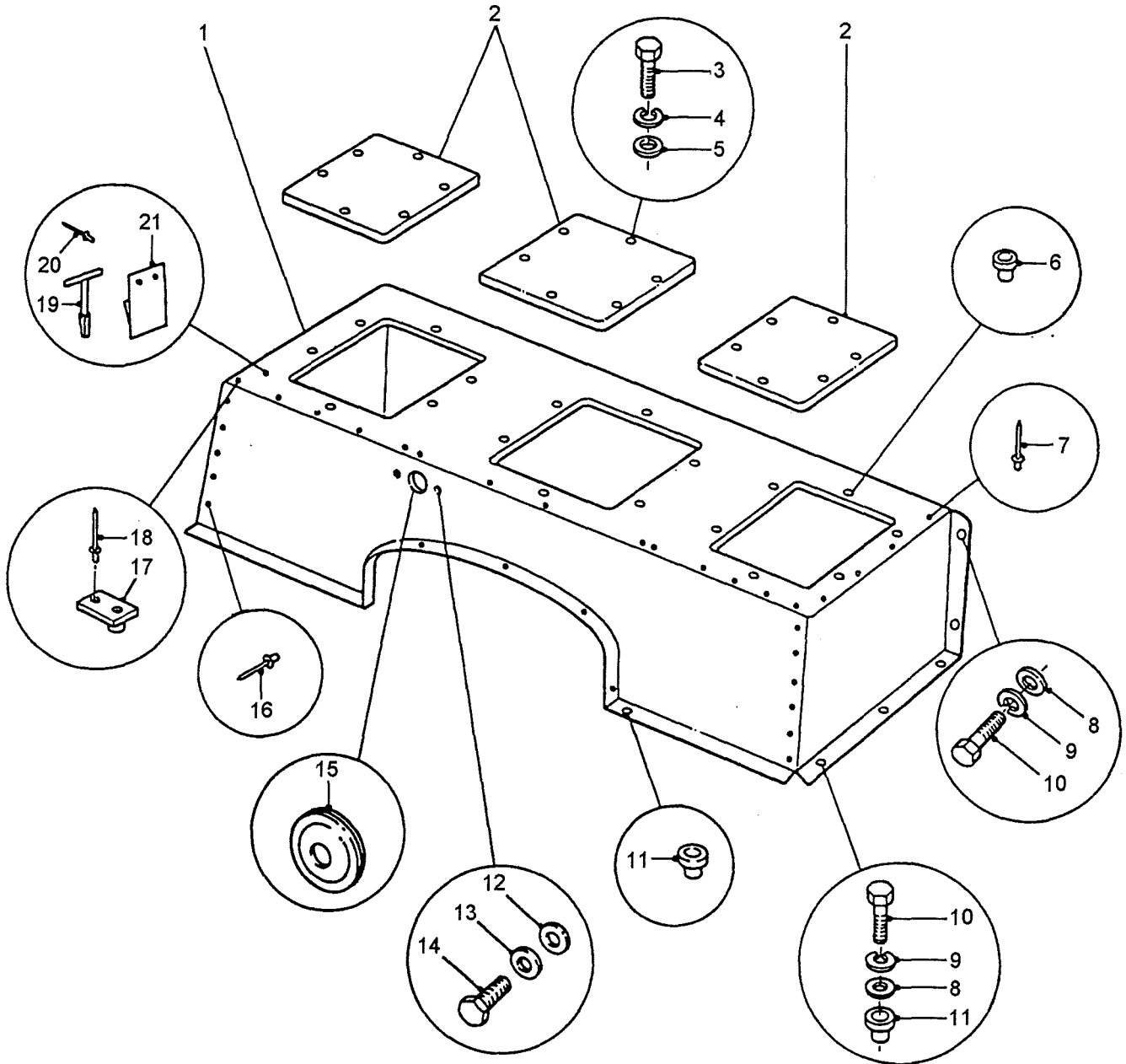
SAA /1/1 DASH VENTILATORS - EXCEPT LRPV

| <u>ITEM</u> | <u>PART NO.</u> | <u>DESCRIPTION</u> | <u>NSN</u> | <u>DERIVATIVE CODE</u> | | | | | | | |
|-------------|-----------------|-----------------------|------------------|------------------------|-------------|-------------|-------------|-------------|-------------|-------------|-------------|
| | | | | <u>2185</u> | <u>2186</u> | <u>2208</u> | <u>2209</u> | <u>2210</u> | <u>2211</u> | <u>2212</u> | <u>2219</u> |
| 1 | AB608047 | SCREW | | 4 | 4 | 4 | 4 | 4 | | 4 | 4 |
| 2 | WA108054L | WASHER-PLAIN | 5310-66-128-5108 | 8 | 8 | 8 | 8 | 8 | | 8 | 8 |
| 3 | MM108301 | RIVNUT | 5310-99-772-5133 | 4 | 4 | 4 | 4 | 4 | | 4 | 4 |
| 4 | HYG3275 | CONTROL-VENTILATOR | 5340-66-128-5782 | 2 | 2 | 2 | 2 | 2 | | 2 | 2 |
| 5 | RA612183 | POP RIVET | 5320-66-128-4653 | 16 | 16 | 16 | 16 | 16 | | 16 | 16 |
| 6 | HYG2794 | LID-VENT-RH | | 1 | 1 | 1 | 1 | 1 | | 1 | 1 |
| | HYG2795 | LID-VENT-LH | | 1 | 1 | 1 | 1 | 1 | | 1 | 1 |
| 7 | MYH5317/1400 | SEAL-DASH VENT | | 2 | 2 | 2 | 2 | 2 | | 2 | 2 |
| 8 | WL108004 | WASHER-LOCK | 5310-66-128-5174 | 4 | 4 | 4 | 4 | 4 | | 4 | 4 |
| 9 | SE108164 | SCREW-LID | 5305-66-128-5098 | 4 | 4 | 4 | 4 | 4 | | 4 | 4 |
| 10 | NT108041L | NUT | 5310-66-098-4402 | 2 | 2 | 2 | 2 | 2 | | 2 | 2 |
| | MYH5328/50 | HOSE-RUBBER-DASH VENT | 5330-66-128-5804 | 2 | 2 | 2 | 2 | 2 | | 2 | 2 |

CHANGE POINT

ARN INTRODUCTION

GROUP SAB/1



**FRONT SEAT BASE AND FITTINGS
EXCEPT LRPV**

PERENTIE LAND ROVER PARTS LIST

SAB /1/1 SEAT BASE AND FITTINGS - EXCEPT LRPV.

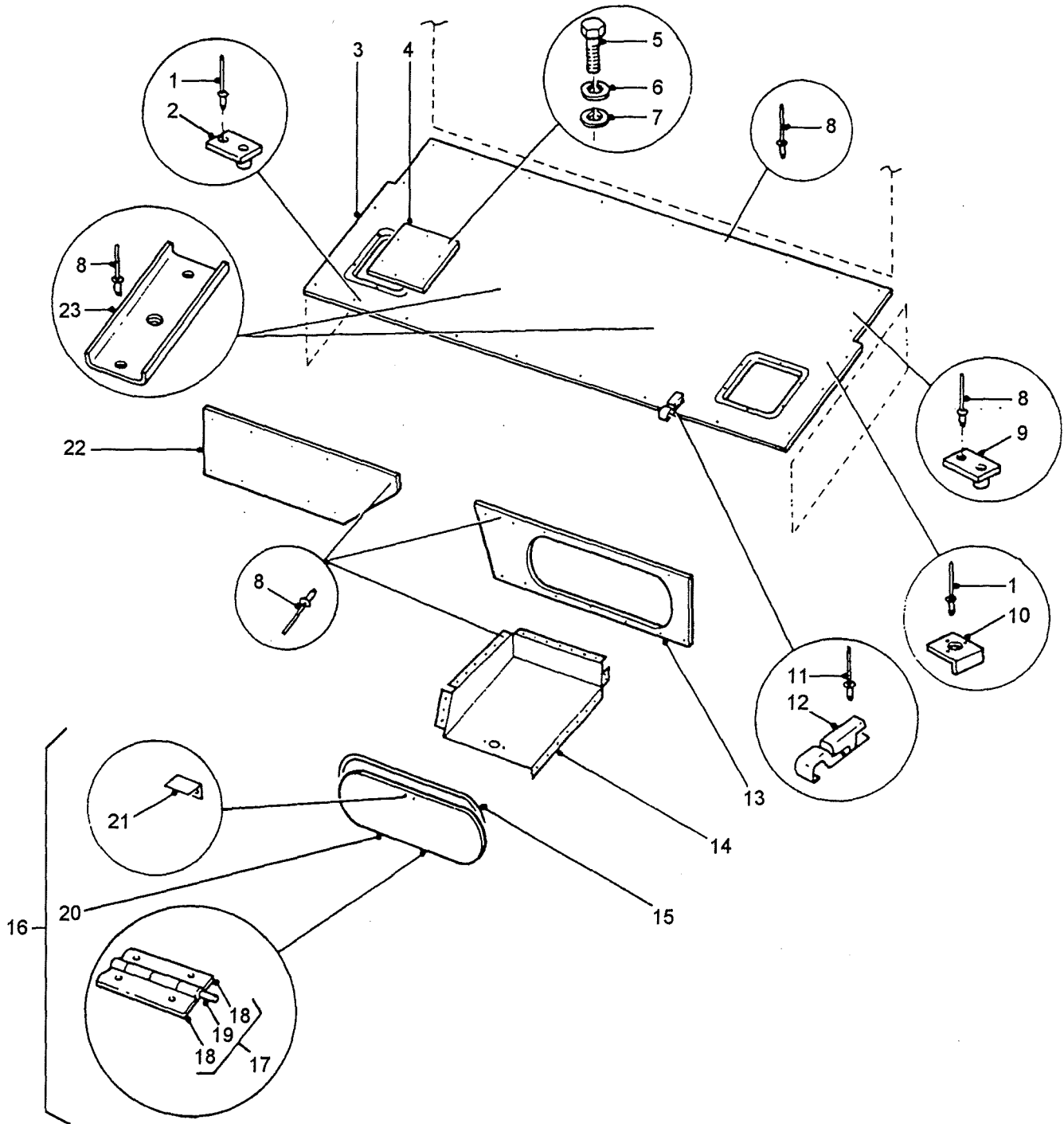
DERIVATIVE CODE

| ITEM | PART NO. | DESCRIPTION | NSN | DERIVATIVE CODE | | | | | | | |
|------|-----------|--|------------------|-----------------|------|------|------|------|------|------|------|
| | | | | 2185 | 2186 | 2208 | 2209 | 2210 | 2211 | 2212 | 2219 |
| 1 | HYG3712 | SEATBASE ASSY | | 1 | 1 | 1 | 1 | 1 | | 1 | |
| | HYG6211 | SEATBASE ASSY -CREW CAB ONLY | | | | | | | | | 1 |
| 2 | HYG3621 | PLATE-COVER-SEATBASE TOP PANEL | | 3 | 3 | 3 | 3 | 3 | | 3 | 3 |
| | HYG3654 | GASKET-COVER PLATE | 5330-66-128-5783 | 3 | 3 | 3 | 3 | 3 | | 3 | 3 |
| 3 | SE105161L | SCREW | 5305-99-135-0430 | 18 | 18 | 18 | 18 | 18 | | 18 | 18 |
| 4 | WL105004 | WASHER-LOCK | 5310-66-128-5784 | 18 | 18 | 18 | 18 | 18 | | 18 | 18 |
| 5 | WA105001L | WASHER-PLAIN | 5310-99-122-3032 | 18 | 18 | 18 | 18 | 18 | | 18 | 18 |
| 6 | MM105301 | RIVNUT | 5310-66-128-6277 | 18 | 18 | 18 | 18 | 18 | | 18 | 18 |
| 7 | RU612183 | POP RIVET | 5320-66-128-4938 | 16 | 16 | 16 | 16 | 16 | | 16 | 16 |
| 8 | WJ106001L | WASHER-PLAIN | 5310-66-128-4699 | 6 | 6 | 6 | 6 | 6 | | 6 | 6 |
| 9 | WL106041 | WASHER-LOCK | | 6 | 6 | 6 | 6 | 6 | | 6 | 6 |
| 10 | FS106161 | SCREW | 5305-99-122-5360 | 6 | 6 | 6 | 6 | 6 | | 6 | 6 |
| 11 | MM106301 | RIVNUT | 5310-66-128-5543 | 9 | 9 | 9 | 9 | 9 | | 9 | 9 |
| 12 | WA108051L | WASHER-PLAIN | 5310-99-122-6475 | 2 | | | | 2 | | | |
| 13 | WL108001L | WASHER-LOCK | 5310-99-138-9227 | 2 | | | | 2 | | | |
| 14 | FS108201 | SCREW | 5305-99-122-5366 | 2 | | | | 2 | | | |
| 15 | RFR208 | GROMMET | 5325-66-089-5324 | 1 | | | | 1 | | | |
| 16 | RN612243 | POP RIVET | | 10 | 10 | 10 | 10 | 10 | | 10 | 10 |
| 17 | IUC7947 | BUSH PLATE ASSY-FRONT SEAT MOUNTING | | 12 | 12 | 12 | 12 | 12 | | 12 | 12 |
| 18 | RU608313L | POP RIVET | | 12 | 12 | 12 | 12 | 12 | | 12 | 12 |
| 19 | HYG3022 | KEY-BUDGET LOCK | 6115-66-038-2801 | 1 | 1 | 1 | 2 | 2 | | 1 | 1 |
| 20 | RA612253L | POP RIVET-HOLDER TO SEATBASE | 5320-66-128-5117 | 2 | 2 | 2 | 4 | 4 | | 2 | 2 |
| 21 | HYG3029 | HOLDER-KEY | 5340-66-128-5299 | 1 | 1 | 1 | 2 | 2 | | 1 | 1 |

CHANGE POINT

ARN INTRODUCTION

GROUP SAB/2



FRONT SEAT BASE, LOCKER AND FITTINGS LRPV ONLY

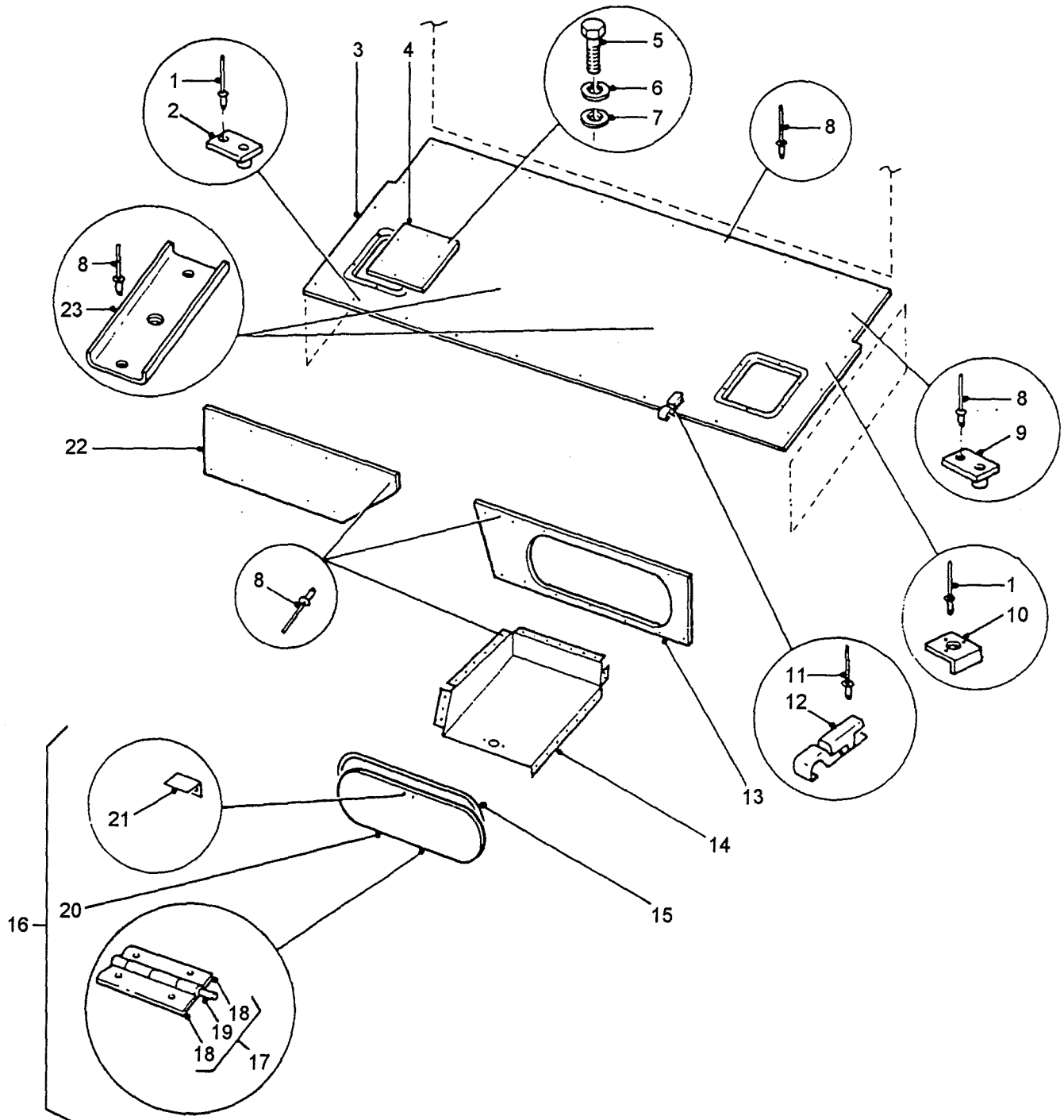
PERENTIE LAND ROVER PARTS LIST

SAB /2/1 FRONT SEAT BASE, LOCKER AND FITTINGS - LRPV ONLY

DERIVATIVE CODE

2185 2186 2208 2209 2210 2211 2212 2219 CP

| <u>ITEM</u> | <u>PART NO.</u> | <u>DESCRIPTION</u> | <u>NSN</u> | <u>2185</u> | <u>2186</u> | <u>2208</u> | <u>2209</u> | <u>2210</u> | <u>2211</u> | <u>2212</u> | <u>2219</u> | <u>CP</u> |
|-------------|-----------------|--|------------------|-------------|-------------|-------------|-------------|-------------|-------------|-------------|-------------|-----------|
| 1 | RA608176L | POP RIVET | 5320-99-941-7268 | | | | | | | | 8 | |
| 2 | HYG4270 | BUSH PLATE-FRONT SEAT MTG. | | | | | | | | | 4 | |
| 3 | HYG4110 | PANEL-SEATBASE-TOP | | | | | | | | | 1 | |
| | HYG3829 | SIDE-SEATBASE-REAR | | | | | | | | | 2 | |
| 4 | HYG3621 | PLATE-COVER-SEATBASE TOP PANEL | | | | | | | | | 2 | |
| | HYG3654 | GASKET-COVER PLATE | 5330-66-128-5783 | | | | | | | | 2 | |
| 5 | SE105161L | SCREW | 5305-99-135-0430 | | | | | | | | 12 | |
| 6 | WL105004 | WASHER-LOCK | 5310-66-128-5784 | | | | | | | | 12 | |
| 7 | WA105001L | WASHER-PLAIN | 5310-99-122-3032 | | | | | | | | 12 | |
| 8 | R78248 | POP RIVET | 5320-99-970-3518 | | | | | | | | 70 | |
| 9 | HYG4272 | BUSH PLATE-REAR SEAT MTG. | | | | | | | | | 4 | |
| 10 | HYG4094 | NUT PLATE-SEAT BELT ANCHOR | | | | | | | | | 4 | |
| 11 | RU608123L | POP RIVET | 5320-66-128-4634 | | | | | | | | 2 | |
| 12 | MRC8388 | CATCH | 5340-99-721-4458 | | | | | | | | 1 | |
| 13 | HYG4263 | HEELBOARD-LH | | | | | | | | | 1 | |
| 14 | HYG4106 | BOX-STOWAGE-LH | | | | | | | | | 1 | |
| 15 | HYG4138 | SEAL-STOWAGE BOX DOOR | 5330-66-128-6330 | | | | | | | | 1 | |
| | MYH3514 | PLUG-DRAIN-STOWAGE BOX FLOOR | | | | | | | | | 1 | |
| 16 | HYG5738 | DOOR-STOWAGE BOX (INCLUDES ITEMS 17-21) | 2510-66-128-6331 | | | | | | | | 1 | |
| 17 | NSS | | | | | | | | | | | |
| 18 | NSS | | | | | | | | | | | |
| 19 | NSS | | | | | | | | | | | |
| 20 | NSS | | | | | | | | | | | |

GROUP SAB/2**FRONT SEAT BASE, LOCKER AND FITTINGS
LRPV ONLY**

PERENTIE LAND ROVER PARTS LIST

SAB /2/1 FRONT SEAT BASE, LOCKER AND FITTINGS - LRPV ONLY

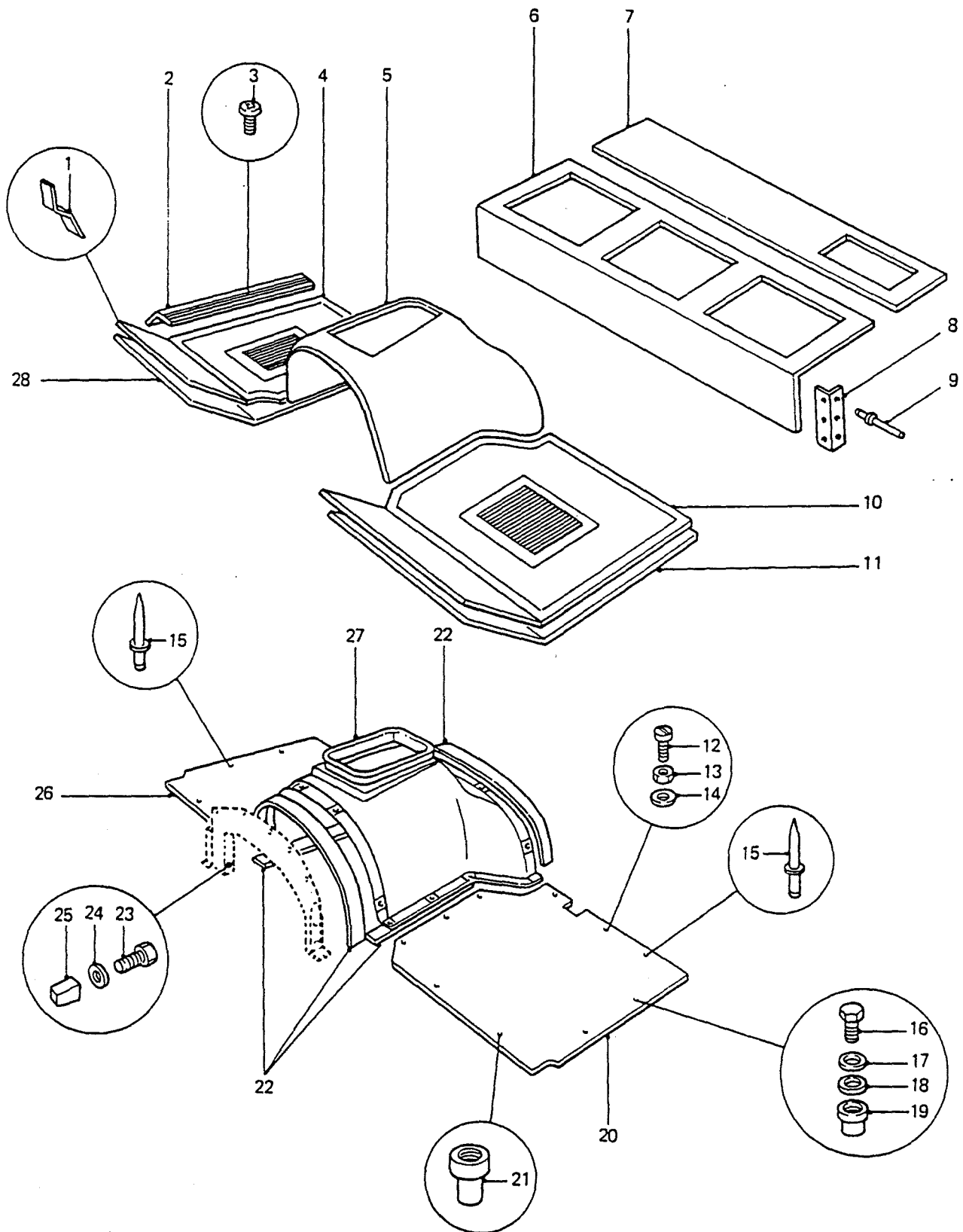
DERIVATIVE CODE

| <u>TEM</u> | <u>PART NO.</u> | <u>DESCRIPTION</u> | <u>NSN</u> | <u>2185</u> | <u>2186</u> | <u>2208</u> | <u>2209</u> | <u>2210</u> | <u>2211</u> | <u>2212</u> | <u>2219</u> | <u>CP</u> |
|------------|-----------------|-------------------------------|------------|-------------|-------------|-------------|-------------|-------------|-------------|-------------|-------------|-----------|
| 21 | NSS | | | | | | | | | | | |
| 22 | HYG4262 | HEELBOARD-RH | | | | | | | | | | 1 |
| 23 | HYG4092 | NUT PLATE-SEAT BELT ANCHOR | | | | | | | | | | 2 |

CHANGE POINT

ARN INTRODUCTION

GROUP SAC/1



**TRANSMISSION TUNNEL, FLOOR PANELS
AND TRIM - EXCEPT LRPV**

PERENTIE LAND ROVER PARTS LIST

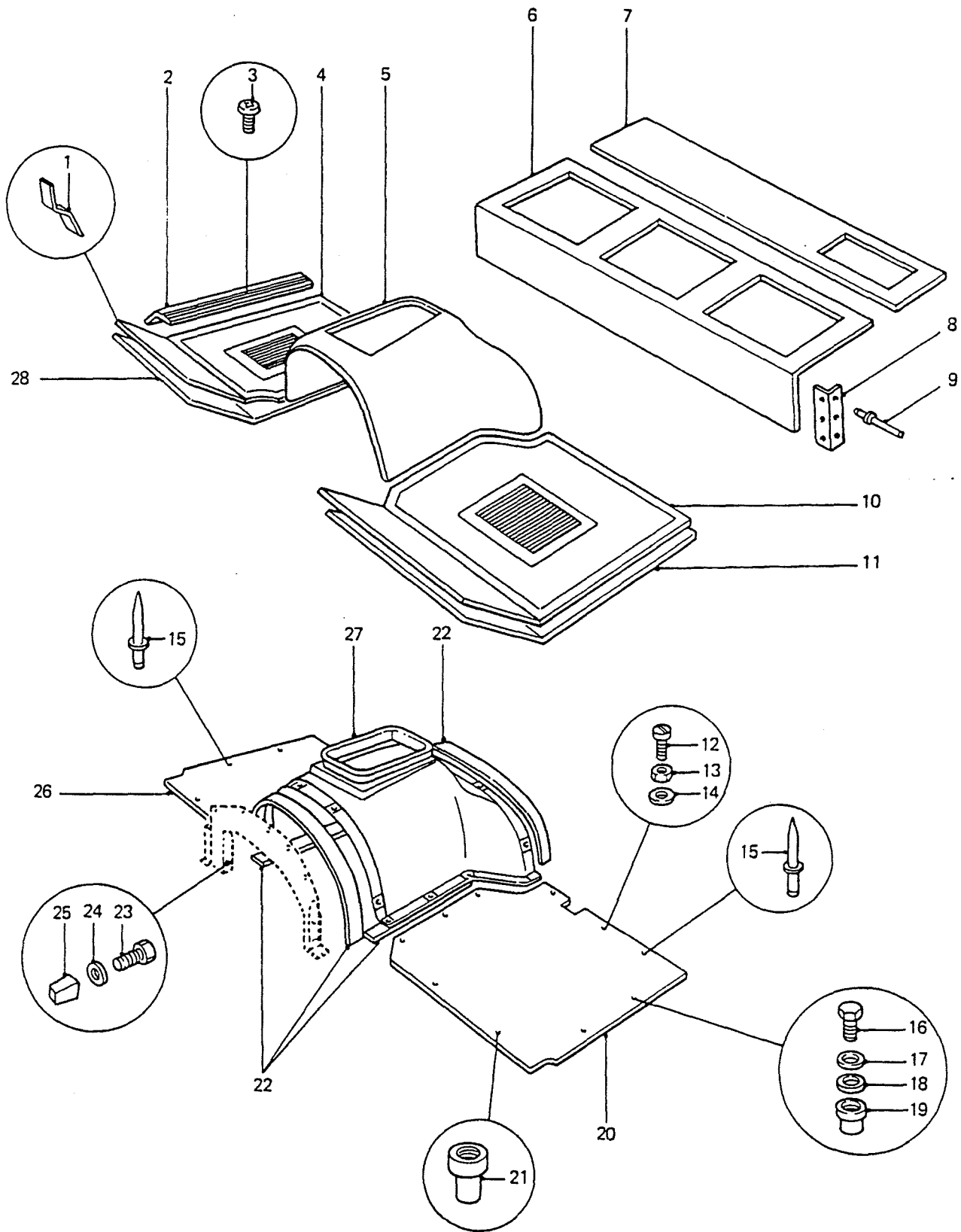
SAC /1/1

**TRANSMISSION TUNNEL, FLOOR PANELS AND TRIM - EXCEPT LRPV
DERIVATIVE CODE**

| <u>ITEM</u> | <u>PART NO.</u> | <u>DESCRIPTION</u> | <u>NSN</u> | <u>2185</u> | <u>2186</u> | <u>2208</u> | <u>2209</u> | <u>2210</u> | <u>2211</u> | <u>2212</u> | <u>2219</u> | <u>CP</u> |
|-------------|-----------------|------------------------------------|------------------|-------------|-------------|-------------|-------------|-------------|-------------|-------------|-------------|-----------|
| 1 | HYG1854 | RETAINER -RH SIDE-CAB FLOOR MAT | | 1 | 1 | 1 | 1 | 1 | | 1 | 1 | |
| 2 | HYG3021 | RETAINER-CAB FLOOR MAT-SIDES | | 2 | 2 | 2 | 2 | 2 | | 2 | 2 | |
| 3 | AC606044 | SCREW | 5305-99-788-7267 | 12 | 12 | 12 | 12 | 12 | | 12 | 12 | |
| 4 | HYG3004 | MAT-FLOOR-RH | 2540-66-128-5785 | 1 | 1 | 1 | 1 | 1 | | 1 | 1 | |
| 5 | MUC1253 | COVER-TUNNEL | | 1 | 1 | 1 | 1 | 1 | | 1 | 1 | |
| 6 | HYG4806 | INSULATION PAD-SEATBASE | | 1 | 1 | 1 | 1 | 1 | | 1 | 1 | |
| 7 | HYG3015 | INSULATION PAD-SEATBASE | | 1 | 1 | 1 | 1 | 1 | | 1 | 1 | |
| 8 | HYG2958 | ANGLE-SEATBASE TRIM RETAINER | | 2 | 2 | 2 | 2 | 2 | | 2 | 2 | |
| 9 | RU612183 | POP RIVET | 5320-66-128-4938 | 12 | 12 | 12 | 12 | 12 | | 12 | 12 | |
| 10 | HYG3005 | MAT-FLOOR-LH | 2540-66-128-5786 | 1 | 1 | 1 | 1 | 1 | | 1 | 1 | |
| 11 | HYG2955 | INSULATION PAD-LH | | 1 | 1 | 1 | 1 | 1 | | 1 | 1 | |
| 12 | SE106251L | SCREW | 5305-99-135-0442 | 12 | 12 | 12 | 12 | 12 | | 12 | 12 | |
| 13 | WL106001L | WASHER-LOCK | 5310-99-137-9232 | 12 | 12 | 12 | 12 | 12 | | 12 | 12 | |
| 14 | WA106041L | WASHER-PLAIN | 5310-66-098-4440 | 12 | 12 | 12 | 12 | 12 | | 12 | 12 | |
| 15 | R78248 | POP RIVET | 5320-99-970-3518 | 22 | 22 | 22 | 22 | 22 | | 22 | 22 | |
| 16 | FS108201 | SCREW-FLOOR PANELS TO CAB FRAME | 5305-99-122-5366 | 2 | 2 | 2 | 2 | 2 | | 2 | 2 | |
| 17 | WL108001L | WASHER-LOCK | 5310-99-138-9227 | 2 | 2 | 2 | 2 | 2 | | 2 | 2 | |
| 18 | WA108051L | WASHER-PLAIN | 5310-99-122-6475 | 2 | 2 | 2 | 2 | 2 | | 2 | 2 | |
| 19 | MM108301 | RIVNUT | 5310-99-772-5133 | 2 | 2 | 2 | 2 | 2 | | 2 | 2 | |
| 20 | HYG2825 | PANEL-FLOOR-LH | | 1 | 1 | 1 | 1 | 1 | | 1 | 1 | |
| 21 | MM106301 | RIVNUT-FLOOR PLATE | 5310-66-128-5543 | 8 | 8 | 8 | 8 | 8 | | 8 | 8 | |
| 22 | MUC1237 | SEAL-FRONT-G/BOX TUNNEL | 9320-66-128-4709 | 1 | 1 | 1 | 1 | 1 | | 1 | 1 | |
| | MUC1238 | SEAL-REAR-G/BOX TUNNEL | | 1 | 1 | 1 | 1 | 1 | | 1 | 1 | |

Apr 1995

GROUP SAC/1



TRANSMISSION TUNNEL, FLOOR PANELS AND TRIM - EXCEPT LRPV

PERENTIE LAND ROVER PARTS LIST

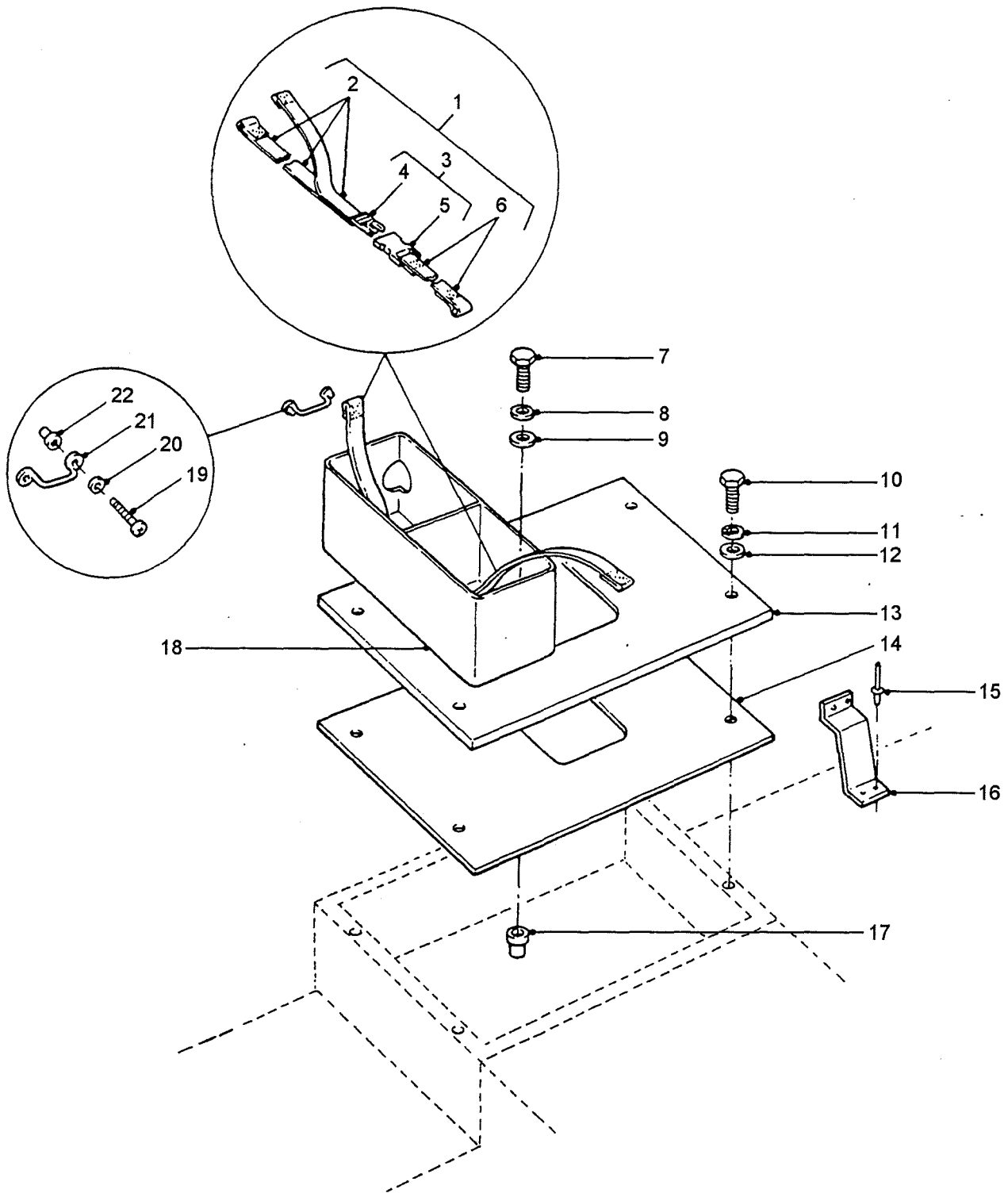
SAC /1/1

**TRANSMISSION TUNNEL, FLOOR PANELS AND TRIM - EXCEPT LRPV
DERIVATIVE CODE**

| <u>ITEM</u> | <u>PART NO.</u> | <u>DESCRIPTION</u> | <u>NSN</u> | <u>2185</u> | <u>2186</u> | <u>2208</u> | <u>2209</u> | <u>2210</u> | <u>2211</u> | <u>2212</u> | <u>2219</u> | <u>CP</u> |
|-------------|-----------------|----------------------|------------------|-------------|-------------|-------------|-------------|-------------|-------------|-------------|-------------|-----------|
| | MUC1239 | SEAL-LH-G/BOX TUNNEL | | 1 | 1 | 1 | 1 | 1 | | 1 | 1 | |
| | MUC1240 | SEAL-RH-G/BOX TUNNEL | | 1 | 1 | 1 | 1 | 1 | | 1 | 1 | |
| 23 | AB614061L | SCREW | 5305-99-137-2811 | 4 | 4 | 4 | 4 | 4 | | 4 | 4 | |
| 24 | MRC5527 | WASHER-PLAIN | 5310-99-977-1694 | 4 | 4 | 4 | 4 | 4 | | 4 | 4 | |
| 25 | CZK3164 | NUT | 5310-99-137-6550 | 4 | 4 | 4 | 4 | 4 | | 4 | 4 | |
| 26 | HYG2824 | PANEL-FLOOR-RH | | 1 | 1 | 1 | 1 | 1 | | 1 | 1 | |
| 27 | MUC4319 | PANEL-TUNNEL-GEARBOX | | 1 | 1 | 1 | 1 | 1 | | 1 | 1 | |
| 28 | HYG2954 | INSULATION PAD-RH | | 1 | 1 | 1 | 1 | 1 | | 1 | 1 | |

CHANGE POINT

ARN INTRODUCTION

GROUP SAC/2

**TRANSMISSION TUNNEL PANEL,
AMMUNITION HOLDER, FOOTREST & MOUNTINGS
LRPV ONLY**

PERENTIE LAND ROVER PARTS LIST

SAC /2/1 TRANSMISSION TUNNEL PANEL, AMMUNITION HOLDER FOOTREST & MOUNTINGS
DERIVATIVE CODE

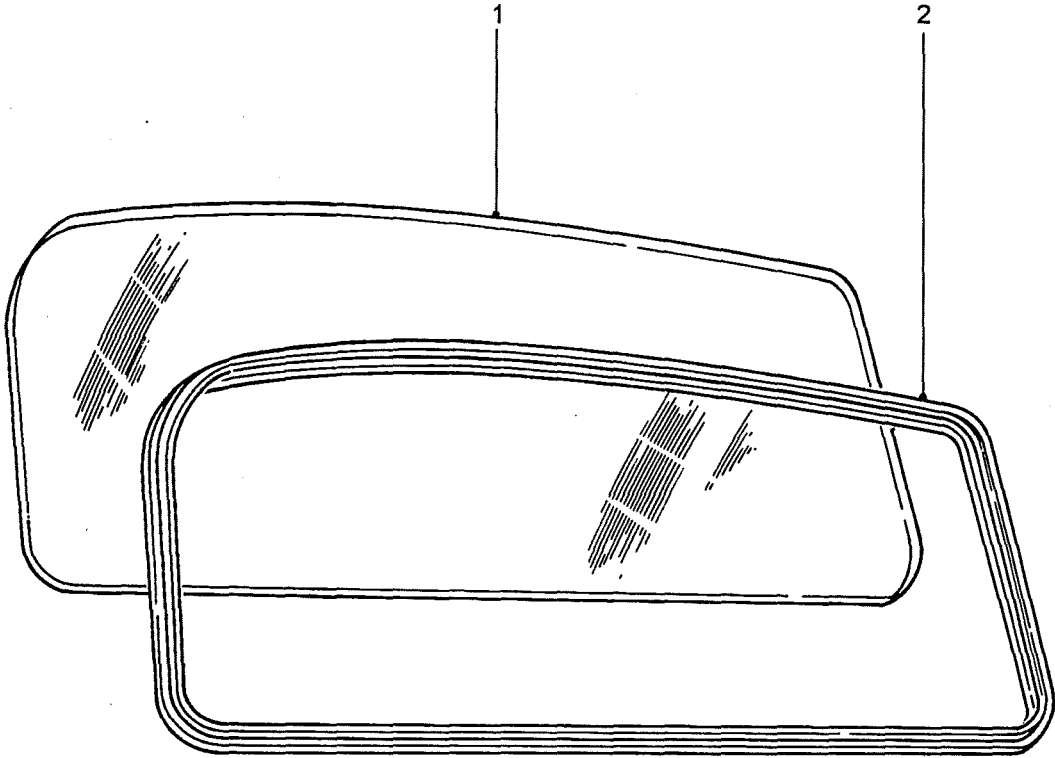
| <u>ITEM</u> | <u>PART NO.</u> | <u>DESCRIPTION</u> | <u>NSN</u> | <u>2185</u> | <u>2186</u> | <u>2208</u> | <u>2209</u> | <u>2210</u> | <u>2211</u> | <u>2212</u> | <u>2219</u> | <u>CP</u> |
|-------------|-----------------|--------------------------------------|------------------|-------------|-------------|-------------|-------------|-------------|-------------|-------------|-------------|-----------|
| 1 | HYG4189 | STRAP-HOLDER (INCLUDES ITEMS 2-6) | 5340-66-128-6333 | 0 | | | | | | | | 1 |
| 2 | NSS | | | | | | | | | | | |
| 3 | NSS | | | | | | | | | | | |
| 4 | NSS | | | | | | | | | | | |
| 5 | NSS | | | | | | | | | | | |
| 6 | NSS | | | | | | | | | | | |
| 7 | SH104161 | SCREW | | | | | | | | | | 3 |
| 8 | WL104001L | WASHER-LOCK | 5310-99-977-1102 | | | | | | | | | 3 |
| 9 | WA104001L | WASHER-PLAIN | 5310-99-122-3031 | | | | | | | | | 3 |
| 10 | FS106201 | SCREW | 5305-99-122-5361 | | | | | | | | | 4 |
| 11 | WL106001L | WASHER-LOCK | 5310-99-137-9232 | | | | | | | | | 4 |
| 12 | WA106041L | WASHER-PLAIN | 5310-66-098-4440 | | | | | | | | | 4 |
| 13 | HYG4212 | PLATE-FLOOR-GEAR CHANGE | | 0 | | | | | | | | 1 |
| 14 | HYG5419 | GASKET-FLOOR PLATE | | 0 | | | | | | | | 1 |
| 15 | RA612373L | POP RIVET | 5320-66-128-4635 | | | | | | | | | 4 |
| 16 | HYG5682 | FOOTREST-CLUTCH | | 0 | | | | | | | | 1 |
| 17 | MM104301 | RIVNUT | | | | | | | | | | 3 |
| 18 | HYG4129 | HOLDER-AMMUNITION | | 0 | 3 | | | | | | | 1 |
| 19 | SE105161L | SCREW | 5305-99-135-0430 | | | | | | | | | 2 |
| 20 | WL105001L | WASHER-LOCK | 5310-99-977-1102 | | | | | | | | | 2 |
| 21 | R395143 | STAPLE | 2540-99-824-6204 | | | | | | | | | 1 |
| 22 | MM105301 | RIVNUT | 5310-66-128-6277 | | | | | | | | | 2 |

CHANGE POINT

ARN INTRODUCTION

May 1995

GROUP SAD/1



**WINDSCREEN
- EXCEPT LRPV**

PERENTIE LAND ROVER PARTS LIST

SAD /1/1 WINDSCREEN - EXCEPT LRPV

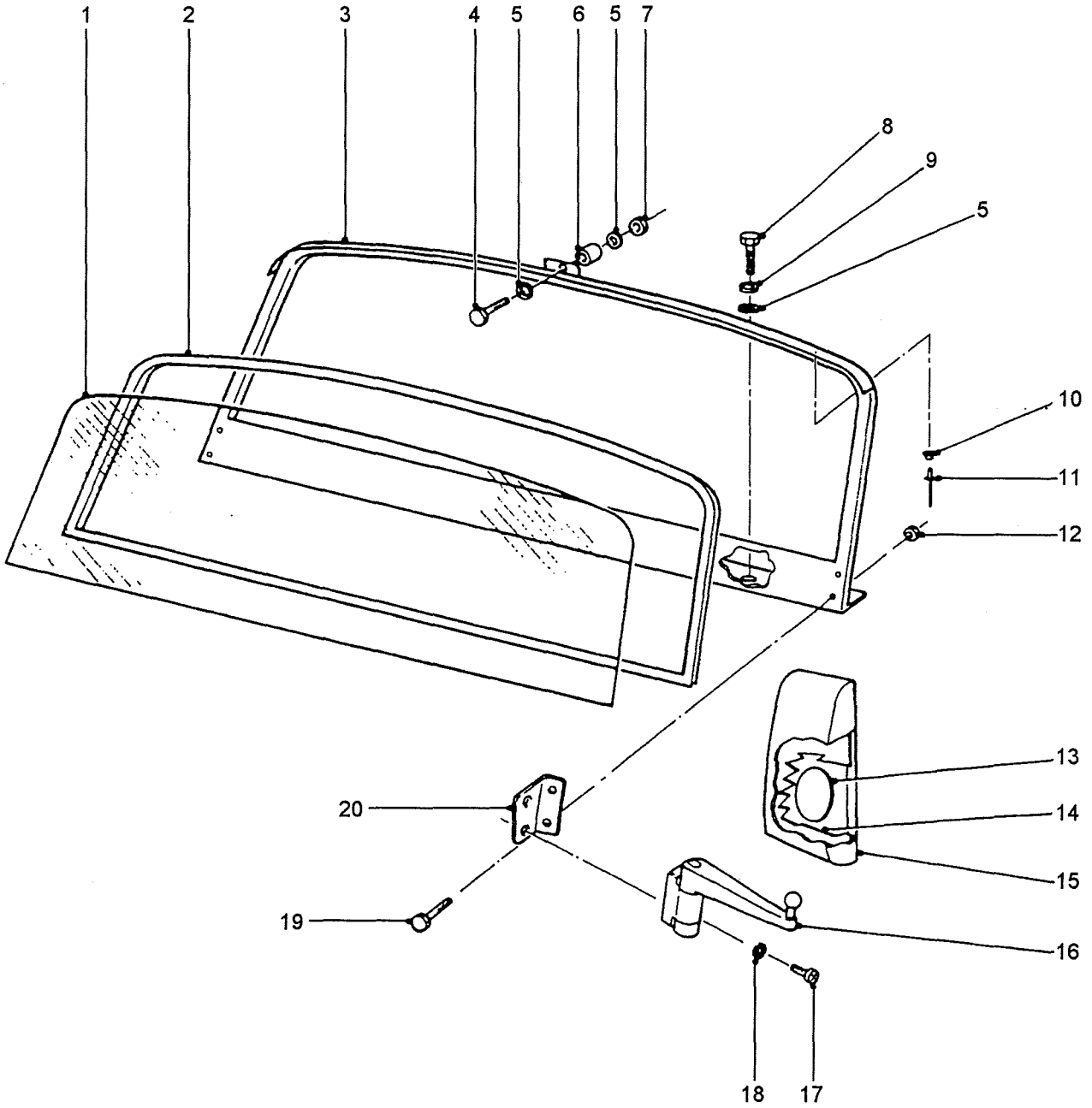
DERIVATIVE CODE

| <u>ITEM</u> | <u>PART NO.</u> | <u>DESCRIPTION</u> | <u>NSN</u> | <u>2185</u> | <u>2186</u> | <u>2208</u> | <u>2209</u> | <u>2210</u> | <u>2211</u> | <u>2212</u> | <u>2219</u> | <u>CP</u> |
|-------------|-----------------|-------------------------------|------------------|-------------|-------------|-------------|-------------|-------------|-------------|-------------|-------------|-----------|
| 1 | HYG2853 | GLASS-WINDSCREEN | 2510-66-128-5791 | 1 | 1 | 1 | 1 | 1 | | 1 | 1 | |
| 2 | HYG4376 | SEAL-WINDSCREEN-4080M LONG | | 1 | 1 | 1 | 1 | 1 | | 1 | 1 | |
| | HYG4376/20 | SEAL-WINDSCREEN-20M LONG | 5330-66-128-6338 | 1 | 1 | 1 | 1 | 1 | | 1 | 1 | |

CHANGE POINT

ARN INTRODUCTION

GROUP SAD/2



**WINDSCREEN AND EXTERIOR MIRRORS
- LRPV ONLY**

PERENTIE LAND ROVER PARTS LIST

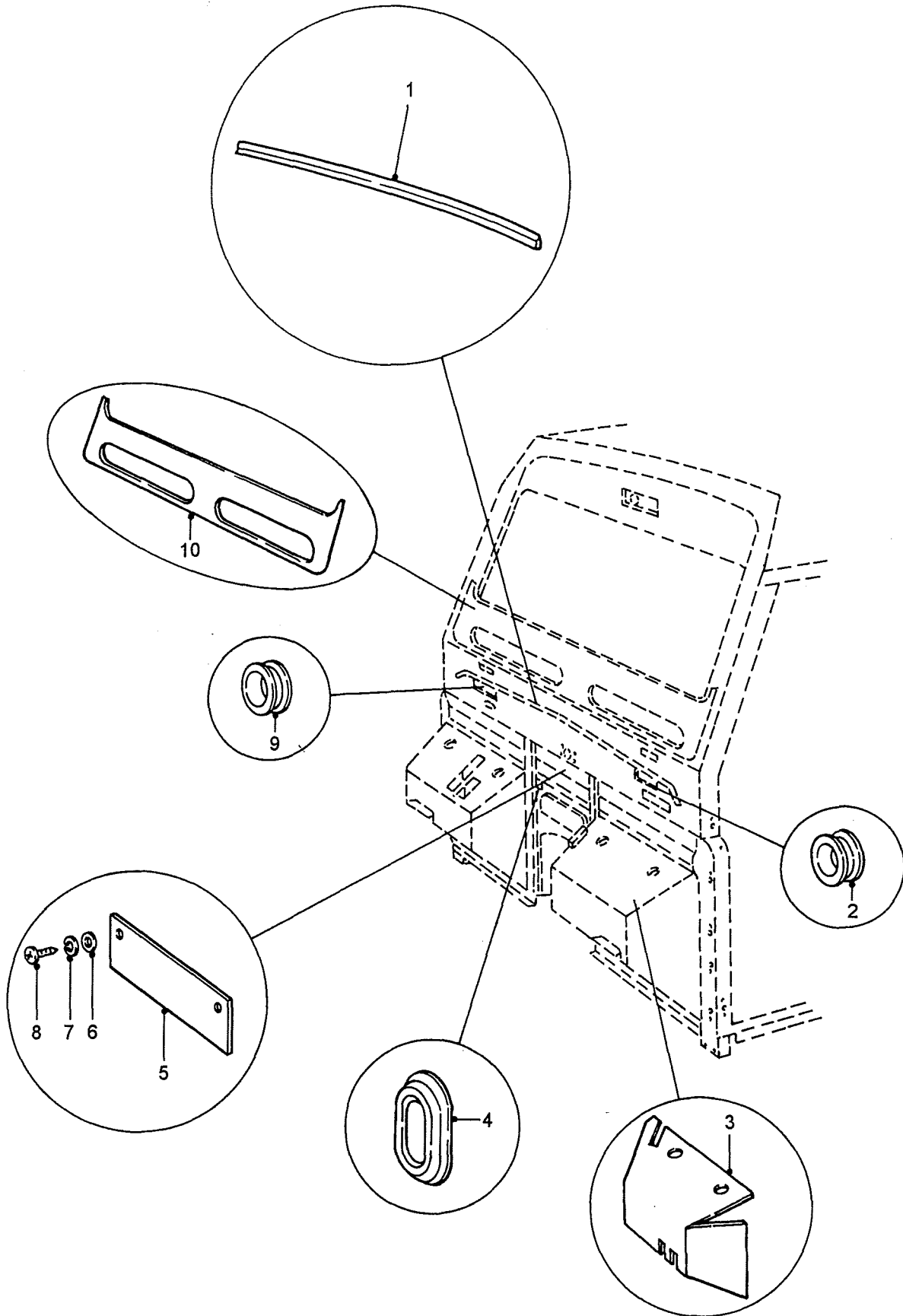
SAD /2/1 WINDSCREEN AND EXTERIOR MIRRORS - LRPV ONLY

| <u>ITEM</u> | <u>PART NO.</u> | <u>DESCRIPTION</u> | <u>NSN</u> | <u>DERIVATIVE CODE</u> | | | | | | | | |
|-------------|-----------------|--------------------------------|------------------|------------------------|-------------|-------------|-------------|-------------|-------------|-------------|-------------|-----------|
| | | | | <u>2185</u> | <u>2186</u> | <u>2208</u> | <u>2209</u> | <u>2210</u> | <u>2211</u> | <u>2212</u> | <u>2219</u> | <u>CP</u> |
| 1 | HYG4377 | GLASS-WINDSCREEN | 2510-66-128-6332 | | | | | | | | | 1 |
| 2 | HYG4376/4080 | SEAL-WINDSCREEN | 5330-66-128-6338 | | | | | | | | | 1 |
| 3 | HYG4360 | FRAME-WINDSCREEN | | | | | | | | | | 1 |
| 4 | BH108171 | BOLT | | | | | | | | | | 1 |
| 5 | WJ108001 | WASHER-PLAIN | 5310-12-154-2190 | | | | | | | | | 8 |
| 6 | R552818 | RUBBER | 5340-99-800-7372 | | | | | | | | | 1 |
| 7 | NY108041L | NUT-NYLOC | 5310-99-122-5496 | | | | | | | | | 1 |
| 8 | FS108251 | SCREW | 5305-99-122-5367 | | | | | | | | | 6 |
| 9 | WL108001L | WASHER-LOCK | 5310-99-138-9227 | | | | | | | | | 6 |
| 10 | MYH3273 | STUD-PRESS-CANOPY RETENTION | 5325-00-042-6710 | | | | | | | | | 17 |
| 11 | RN610173 | POP RIVET | 5320-66-128-6335 | | | | | | | | | 17 |
| 12 | NY106041L | NUT-NYLOC | 5310-99-138-8423 | | | | | | | | | 4 |
| 13 | HYM444 | MIRROR-BLIND SPOT | 2540-66-135-0374 | | | | | | | | | 2 |
| 14 | RTC4342 | GLASS-MIRROR | 9340-66-128-5849 | | | | | | | | | 2 |
| 15 | MUC3708 | MIRROR HEAD-LH | 2540-66-128-4281 | | | | | | | | | 1 |
| | MUC3707 | MIRROR HEAD-RH | 2540-66-128-4280 | | | | | | | | | 1 |
| 16 | MTC5083 | ARM-MIRROR | 2540-99-795-3170 | | | | | | | | | 2 |
| 17 | SH604041 | SCREW | | | | | | | | | | 4 |
| 18 | WM600041L | WASHER-LOCK | | | | | | | | | | 4 |
| 19 | FB106081 | BOLT | 5306-99-122-5246 | | | | | | | | | 4 |
| 20 | HYG4445 | BRACKET-MIRROR MTG-LH | | | | | | | | | | 1 |
| | HYG4444 | BRACKET-MIRROR MTG-RH | | | | | | | | | | 1 |

CHANGE POINT

ARN INTRODUCTION

GROUP SAE/1



**FIREWALL AND FITTINGS
- EXCEPT LRPV**

PERENTIE LAND ROVER PARTS LIST

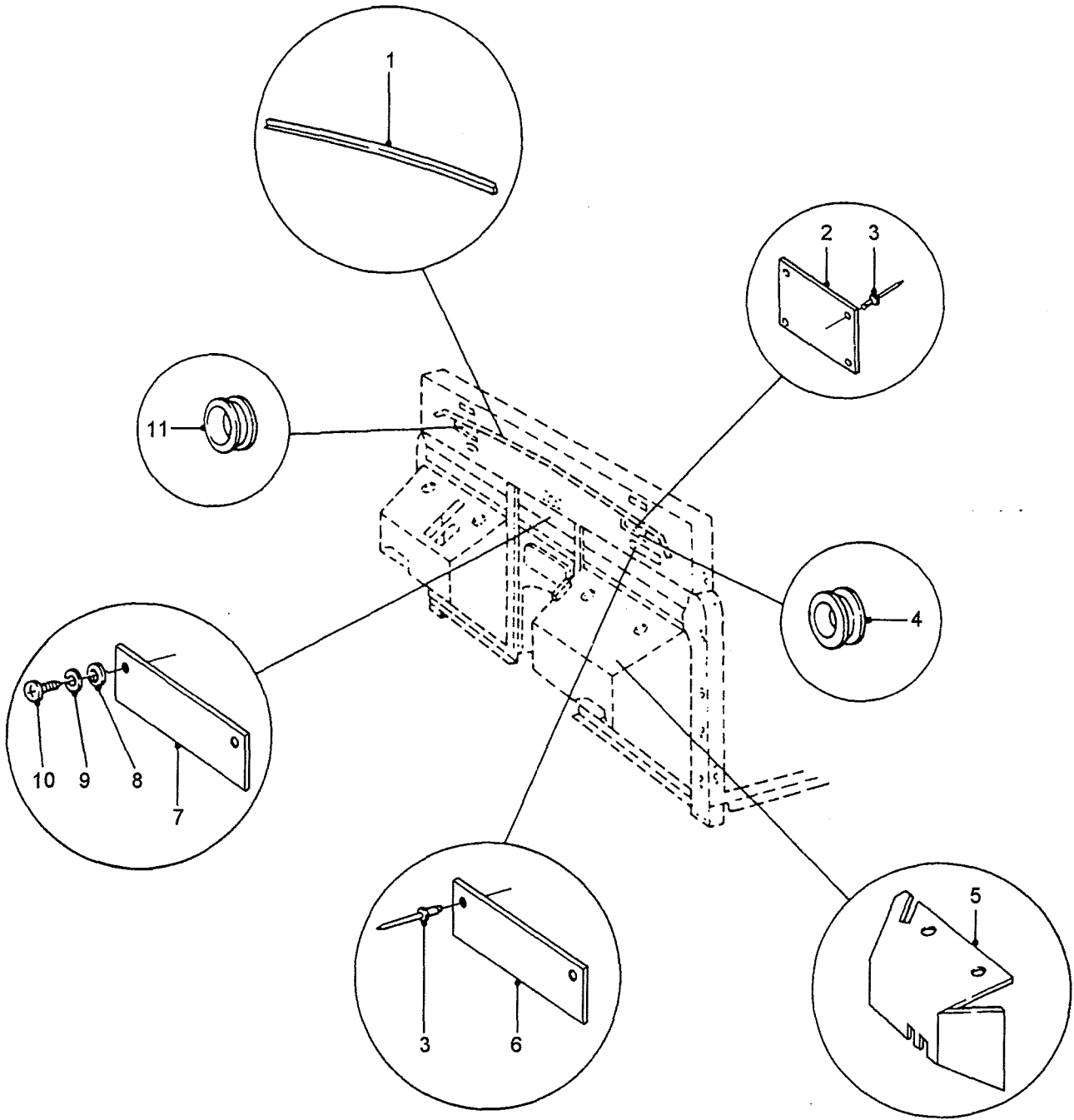
SAE /1/1 FIREWALL FITTINGS - EXCEPT LRPV

| ITEM | PART NO. | DESCRIPTION | NSN | DERIVATIVE CODE | | | | | | | |
|------|-----------|-------------------------------|------------------|-----------------|------|------|------|------|------|------|------|
| | | | | 2185 | 2186 | 2208 | 2209 | 2210 | 2211 | 2212 | 2219 |
| 1 | RRC5449 | SEAL-DASH DRAIN CHANNEL | | 1 | 1 | 1 | 1 | 1 | | 1 | 1 |
| 2 | R269257 | GROMMET | 5325-99-828-1011 | 2 | 2 | 2 | 2 | 2 | | 2 | 2 |
| 3 | HYG2957 | PAD-INSULATION-LH | | 1 | 1 | 1 | 1 | 1 | | 1 | 1 |
| | HYG2956 | PAD-INSULATION-RH | | 1 | 1 | 1 | 1 | 1 | | 1 | 1 |
| 4 | MTC1650 | PLUG-DASH | 5340-99-774-6796 | 2 | 2 | 2 | 2 | 2 | | 2 | 2 |
| 5 | HYG3270 | PLATE-PROTECTION-DASH HARNESS | | 1 | 1 | 1 | 1 | 1 | | 1 | 1 |
| 6 | WC106041L | WASHER-PLAIN | 5310-99-122-3411 | 2 | 2 | 2 | 2 | 2 | | 2 | 2 |
| 7 | WL106001L | WASHER-LOCK | 5310-99-137-9232 | 2 | 2 | 2 | 2 | 2 | | 2 | 2 |
| 8 | SE106161L | SCREW | 5305-99-135-0440 | 2 | 2 | 2 | 2 | 2 | | 2 | 2 |
| 9 | R276054 | GROMMET | 5325-99-828-1012 | 1 | 1 | 1 | 1 | 1 | | 1 | 1 |
| 10 | HYG3331 | DECAL-WINDSCREEN | | 1 | 1 | 1 | 1 | 1 | | 1 | 1 |

CHANGE POINT

ARN INTRODUCTION

GROUP SAE/2



FIREWALL AND FITTINGS - LRPV ONLY

PERENTIE LAND ROVER PARTS LIST

SAE /2/1 FIREWALL FITTINGS - LRPV ONLY

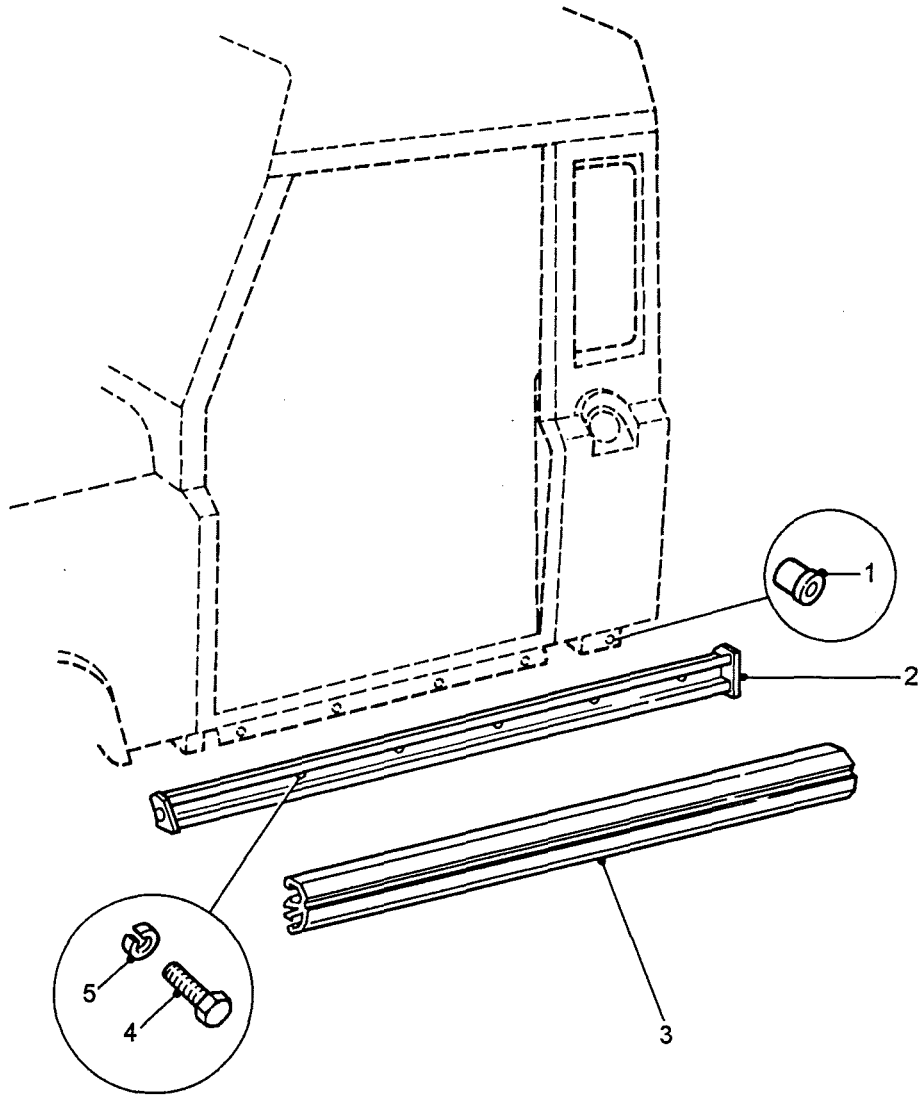
DERIVATIVE CODE

| ITEM | PART NO. | DESCRIPTION | NSN | DERIVATIVE CODE | | | | | | | | | | |
|------|-----------|---------------------------------------|------------------|-----------------|------|------|------|------|------|------|------|----|--|---|
| | | | | 2185 | 2186 | 2208 | 2209 | 2210 | 2211 | 2212 | 2219 | CP | | |
| 1 | RRC5449 | SEAL-DASH DRAIN CHANNEL | | | | | | | | | | | | 1 |
| 2 | HYG5628 | PLATE-BLANKING-LHD STRG. COLUMN HOLES | | | | | | | | | | | | 1 |
| 3 | R78248 | POP RIVET | 5320-99-970-3518 | | | | | | | | | | | 6 |
| 4 | R269257 | GROMMET | 5325-99-828-1011 | | | | | | | | | | | 2 |
| 5 | HYG2597 | PAD-INSULATION-LH | | | | | | | | | | | | 1 |
| | HYG2596 | PAD-INSULATION-RH | | | | | | | | | | | | 1 |
| 6 | HYG5629 | PLATE-COVER-HEATER CABLE HOLES | | | | | | | | | | | | 1 |
| 7 | HYG4510 | PLATE-PROTECTION-HARNESS | | | | | | | | | | | | 1 |
| 8 | WC106041L | WASHER-PLAIN | 5310-99-122-3411 | | | | | | | | | | | 2 |
| 9 | WL106001L | WASHER-LOCK | 5310-99-137-9232 | | | | | | | | | | | 2 |
| 10 | SE106161L | SCREW | 5305-99-135-0440 | | | | | | | | | | | 2 |
| 11 | R276054 | GROMMET | 5325-99-828-1012 | | | | | | | | | | | 2 |
| | HYG4745 | BRUSH DEFLECTOR-SCUTTLE | | | | | | | | | | | | 2 |
| | FS108201 | SCREW-BRUSH DEFLECTOR TO SCUTTLE | 5305-99-122-5366 | | | | | | | | | | | 4 |
| | WL108001L | WASHER-LOCK | 5310-99-138-9227 | | | | | | | | | | | 4 |
| | WA108051L | WASHER-PLAIN | 5310-99-122-6475 | | | | | | | | | | | 8 |
| | MM108301 | RIVNUT | 5310-99-772-5133 | | | | | | | | | | | 4 |
| | BH108161 | BOLT | | | | | | | | | | | | 4 |
| | NY108041L | NUT-NYLOC | 5310-99-122-5496 | | | | | | | | | | | 4 |

CHANGE POINT

ARN INTRODUCTION

GROUP SAG/1



**SILL PANELS
- EXCEPT LRPV AND CREW CAB**

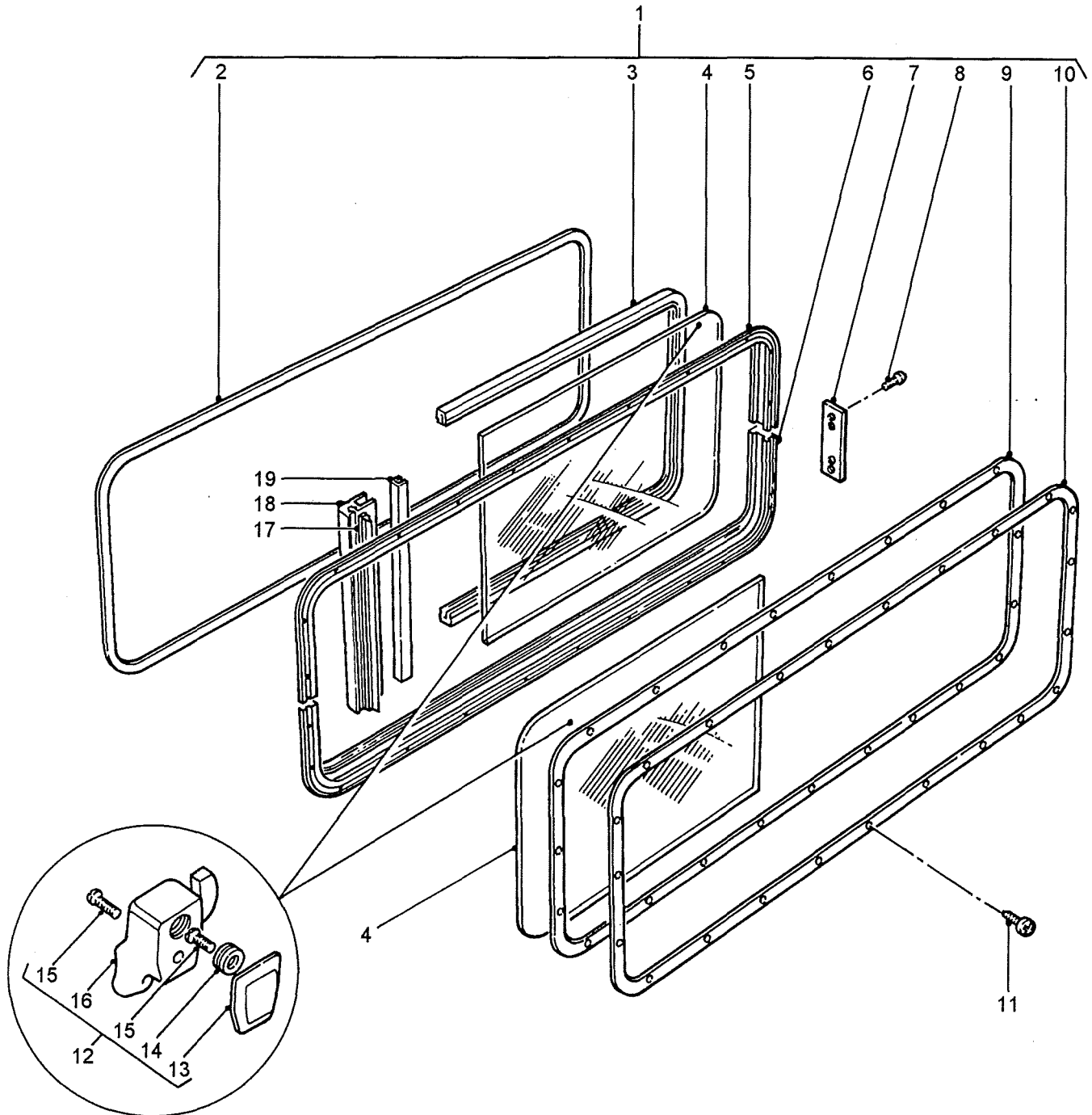
PERENTIE LAND ROVER PARTS LIST

SAG /2/1 SILL PANELS - CREW CAB ONLY

| <u>ITEM</u> | <u>PART NO.</u> | <u>DESCRIPTION</u> | <u>NSN</u> | <u>DERIVATIVE CODE</u> | | | | | | | | |
|-------------|-----------------|----------------------------|------------------|------------------------|-------------|-------------|-------------|-------------|-------------|-------------|-------------|-----------|
| | | | | <u>2185</u> | <u>2186</u> | <u>2208</u> | <u>2209</u> | <u>2210</u> | <u>2211</u> | <u>2212</u> | <u>2219</u> | <u>CP</u> |
| 1 | HYG6419 | PANEL-FINISHER-LH | | | | | | | | | | 1 |
| | HYG6418 | PANEL-FINISHER-RH | | | | | | | | | | 1 |
| | RU608123L | POP RIVET | 5320-66-128-4634 | | | | | | | | | 4 |
| 2 | MM106301 | RIVNUT | 5310-66-128-5543 | | | | | | | | | 16 |
| 3 | HYG7569 | RETAINER-SILL-LH | | | | | | | | | | 1 |
| | HYG7570 | RETAINER-SILL-RH | | | | | | | | | | 1 |
| 4 | HYG3155 | PANEL-SILL-LH | | | | | | | | | | 1 |
| | HYG3154 | PANEL-SILL-RH | | | | | | | | | | 1 |
| | HYG7571 | END CAP-SILL PANEL-REAR | | | | | | | | | | 2 |
| 5 | FS106161 | SCREW | 5305-99-122-5360 | | | | | | | | | 16 |
| 6 | WL106001L | WASHER-LOCK | 5310-99-137-9232 | | | | | | | | | 16 |

CHANGE POINT

ARN INTRODUCTION

GROUP SAH

**CAB REAR WINDOW
- EXCEPT CREW CAB**

PERENTIE LAND ROVER PARTS LIST

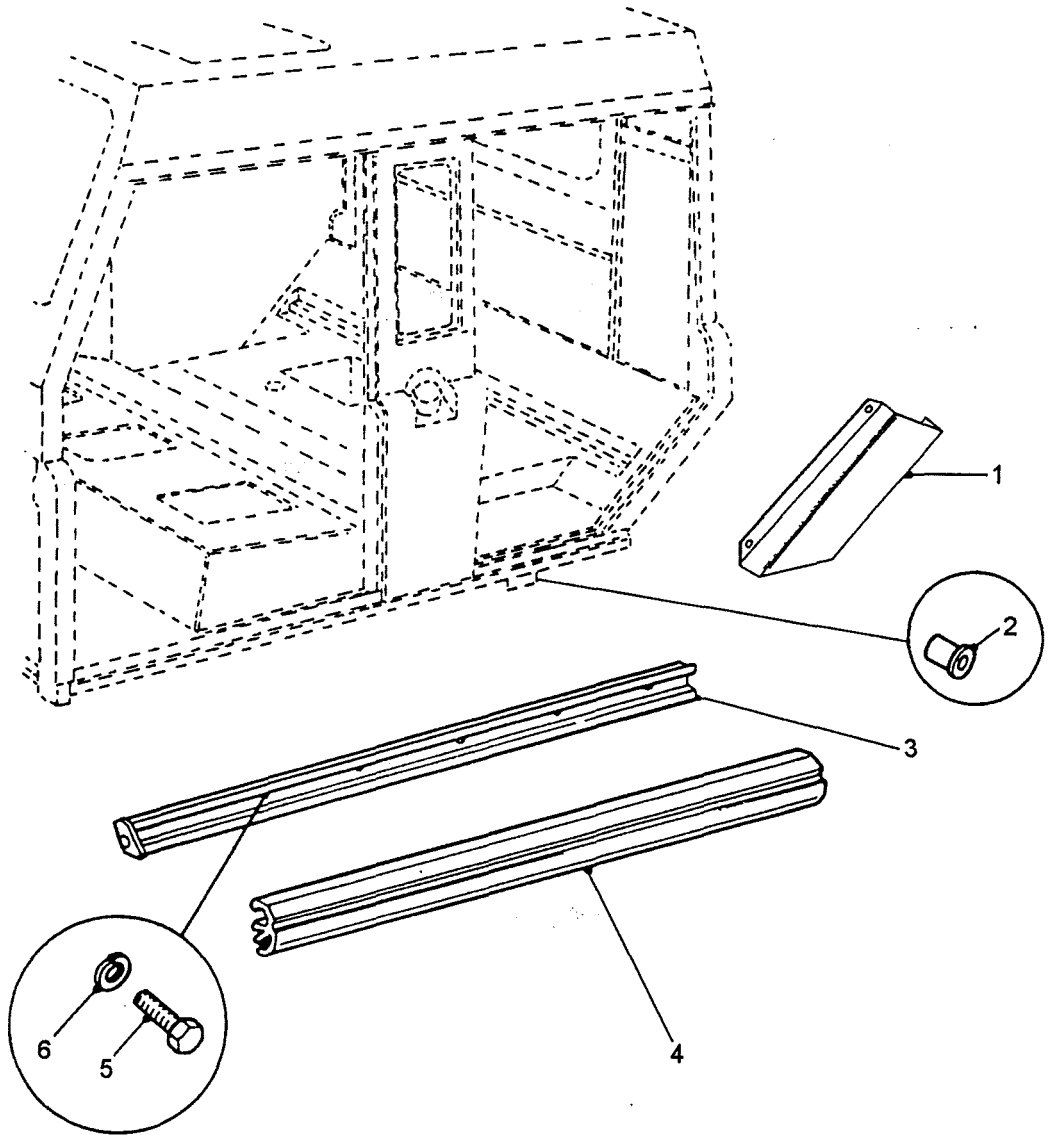
SAG /1/1 SILL PANELS - EXCEPT LRPV AND CREW CAB

| <u>ITEM</u> | <u>PART NO.</u> | <u>DESCRIPTION</u> | <u>NSN</u> | <u>DERIVATIVE CODE</u> | | | | | | | |
|-------------|-----------------|---------------------------------|------------------|------------------------|-------------|-------------|-------------|-------------|-------------|-------------|-------------|
| | | | | <u>2185</u> | <u>2186</u> | <u>2208</u> | <u>2209</u> | <u>2210</u> | <u>2211</u> | <u>2212</u> | <u>2219</u> |
| 1 | MM106301 | RIVNUT | 5310-66-128-5543 | 12 | 12 | 12 | 12 | 12 | | 12 | |
| 2 | HYG4542 | RETAINER-SILL- WT RH | | 1 | 1 | 1 | 1 | 1 | | 1 | |
| | HYG4543 | RETAINER-SILL- FT LH | | 1 | 1 | 1 | 1 | 1 | | 1 | |
| 3 | HYG2973 | SILL-RUBBER-LH | 2540-66-128-5812 | 1 | 1 | 1 | 1 | 1 | | 1 | |
| | HYG2972 | SILL-RUBBER-RH | 2540-66-128-5813 | 1 | 1 | 1 | 1 | 1 | | 1 | |
| 4 | FS106161 | SCREW | 5305-99-122-5360 | 12 | 12 | 12 | 12 | 12 | | 12 | |
| 5 | WL106001L | WASHER-LOCK | 5310-99-137-9232 | 12 | 12 | 12 | 12 | 12 | | 12 | |

CHANGE POINT

ARN INTRODUCTION

GROUP SAG/2



**SILL PANELS
- CREW CAB ONLY**

PERENTIE LAND ROVER PARTS LIST

SAH /1/1 CAB REAR WINDOW - EXCEPT LRPV

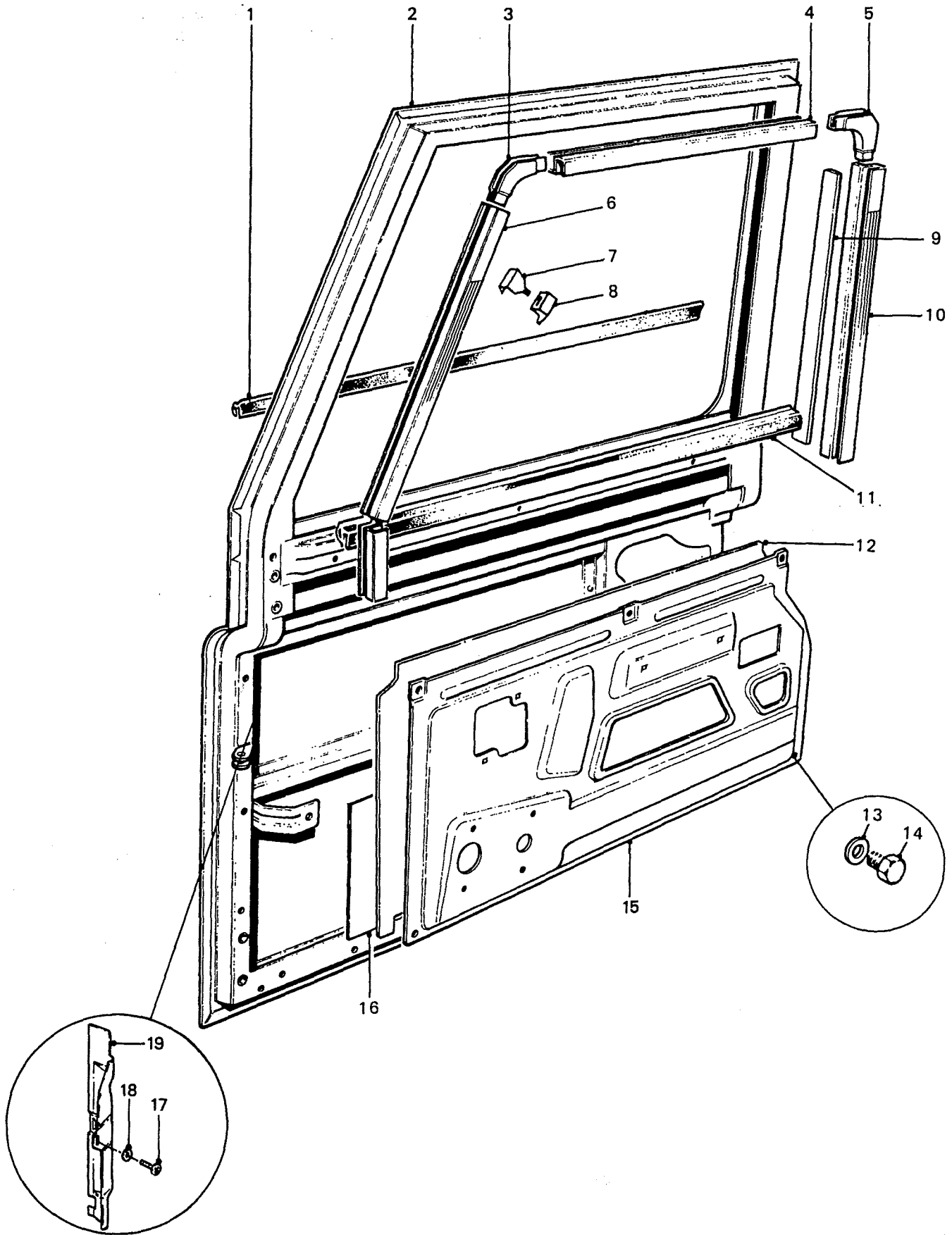
DERIVATIVE CODE

| ITEM | PART NO. | DESCRIPTION | NSN | DERIVATIVE CODE | | | | | | | | |
|------|----------|-----------------------------------|------------------|-----------------|------|------|------|------|------|------|------|----|
| | | | | 2185 | 2186 | 2208 | 2209 | 2210 | 2211 | 2212 | 2219 | CP |
| 1 | MWC4762 | WINDOW ASSY (INCLUDES ITEMS 2-19) | | 1 | 1 | 1 | 1 | 1 | | 1 | 1 | |
| 2 | NSS | | | | | | | | | | | |
| 3 | MWC7620 | FELT-SEALING | 5330-66-128-5793 | 2 | 2 | 2 | 2 | 2 | | 2 | 2 | |
| 4 | MWC4726 | GLASS-REAR | 2510-66-128-5794 | 2 | 2 | 2 | 2 | 2 | | 2 | 2 | |
| 5 | NSS | | | | | | | | | | | |
| 6 | NSS | | | | | | | | | | | |
| 7 | NSS | | | | | | | | | | | |
| 8 | NSS | | | | | | | | | | | |
| 9 | MWC4772 | SEALING STRIP | 5330-99-734-4515 | 1 | 1 | 1 | 1 | 1 | | 1 | 1 | |
| 10 | MTC6232 | FINISHER | | 1 | 1 | 1 | 1 | 1 | | 1 | 1 | |
| 11 | AS604044 | SCREW | | 18 | 18 | 18 | 18 | 18 | | 18 | 18 | |
| 12 | MWC7625 | CATCH-LH (INCLUDES ITEMS 13-16) | 2540-66-128-5795 | 1 | 1 | 1 | 1 | 1 | | 1 | 1 | |
| 12 | MWC7648 | CATCH-RH (INCLUDES ITEMS 13-16) | 2540-66-128-5796 | 1 | 1 | 1 | 1 | 1 | | 1 | 1 | |
| 13 | NSS | | | | | | | | | | | |
| 14 | NSS | | | | | | | | | | | |
| 15 | NSS | | | | | | | | | | | |
| 16 | NSS | | | | | | | | | | | |
| 17 | MWC7652 | SEAL-RAIL | 5330-66-128-5797 | 1 | 1 | 1 | 1 | 1 | | 1 | 1 | |
| 18 | NSS | | | | | | | | | | | |
| 19 | NSS | | | | | | | | | | | |

CHANGE POINT

ARN INTRODUCTION

GROUP SB



FRONT SIDE DOORS AND FIXTURES

PERENTIE LAND ROVER PARTS LIST

SB /1/1

FRONT SIDE DOOR AND FIXTURES

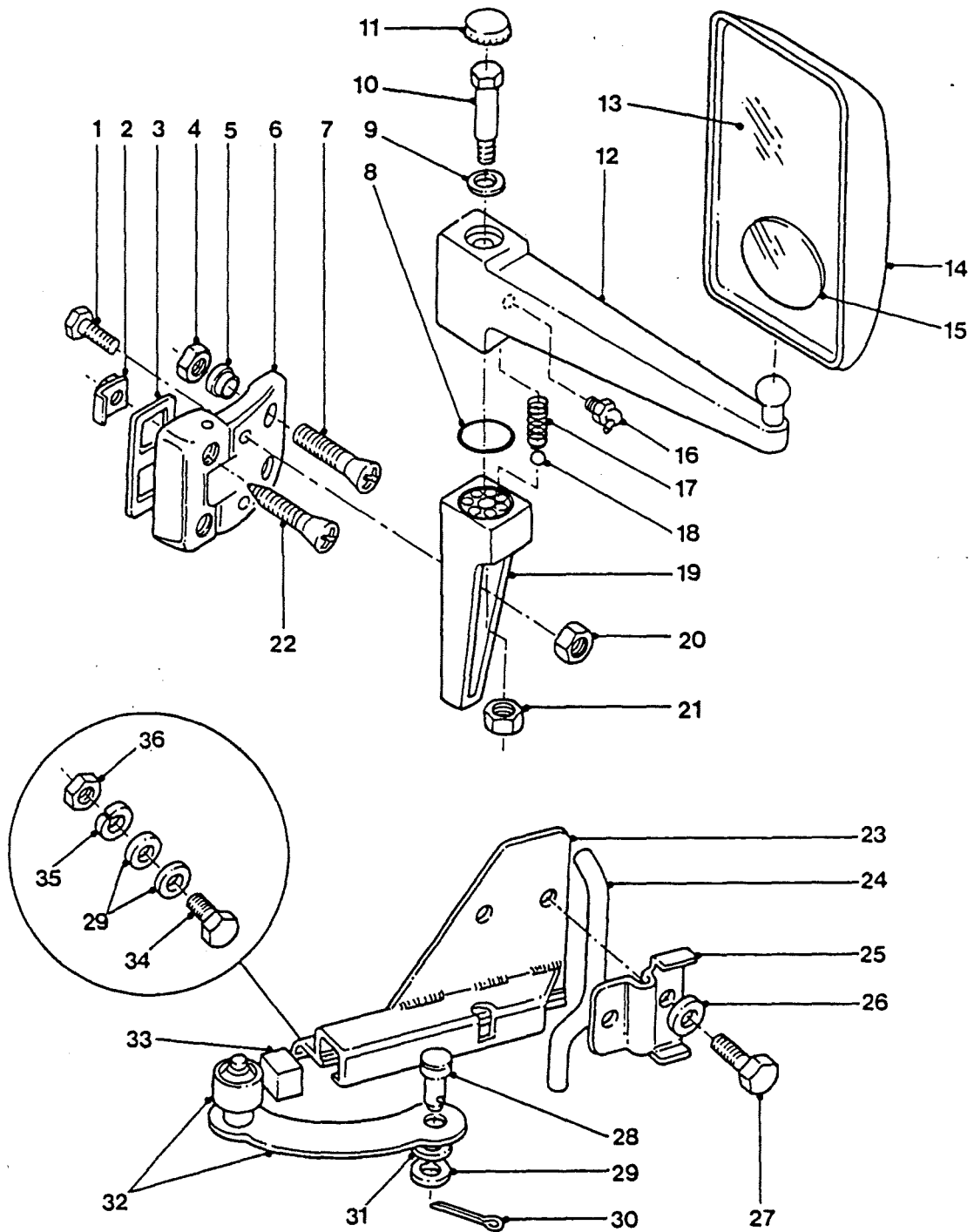
DERIVATIVE CODE

| ITEM | PART NO. | DESCRIPTION | NSN | DERIVATIVE CODE | | | | | | | |
|------|-----------|---------------------|------------------|-----------------|------|------|------|------|------|------|---------|
| | | | | 2185 | 2186 | 2208 | 2209 | 2210 | 2211 | 2212 | 2219 CP |
| 1 | MTC8474 | WAISTSEAL-OUTER | 5330-66-128-5262 | 2 | 2 | 2 | 2 | 2 | | 2 | 2 |
| 2 | MXC7958 | DOOR-FRONT-RH | 2510-66-128-5125 | 1 | 1 | 1 | 1 | 1 | | 1 | 1 |
| 2 | MXC7959 | DOOR-FRONT-LH | 2510-66-128-5126 | 1 | 1 | 1 | 1 | 1 | | 1 | 1 |
| 3 | R201647 | FILLER-CORNER-FRONT | 2510-66-128-5234 | 2 | 2 | 2 | 2 | 2 | | 2 | 2 |
| 4 | MUC1652 | FILLER-TOP | 2510-99-777-0325 | 2 | 2 | 2 | 2 | 2 | | 2 | 2 |
| 5 | R201235 | FILLER-CORNER-REAR | 2510-99-778-3583 | 2 | 2 | 2 | 2 | 2 | | 2 | 2 |
| 6 | MUC1730 | FILLER-RH | 2510-99-777-0322 | 1 | 1 | 1 | 1 | 1 | | 1 | 1 |
| | MUC1731 | FILLER-LH | 2510-99-777-0323 | 1 | 1 | 1 | 1 | 1 | | 1 | 1 |
| 7 | MWC4371 | CLIP-DOOR-METAL | 5340-66-128-5369 | 1 | 1 | 1 | 1 | 1 | | 1 | 2 |
| 8 | MWC4370 | CLIP-DOOR-PLASTIC | 5340-66-128-5370 | 1 | 1 | 1 | 1 | 1 | | 1 | 2 |
| 9 | MUC3285 | SHIM | | 4 | 4 | 4 | 4 | 4 | | 4 | 4 |
| 10 | MUC1651 | FILLER-VERTICAL | 2510-99-777-0326 | 2 | 2 | 2 | 2 | 2 | | 2 | 2 |
| 11 | MTC8473 | WAISTSEAL-INNER | 5330-66-128-5261 | 2 | 2 | 2 | 2 | 2 | | 2 | 2 |
| 12 | ALR3288 | WATER CURTAIN-RH | | 1 | 1 | 1 | 1 | 1 | | 1 | 1 |
| | ALR3289 | WATER CURTAIN-LH | | 1 | 1 | 1 | 1 | 1 | | 1 | 1 |
| 13 | WA106041L | WASHER-PLAIN | 5310-66-098-4440 | 10 | 10 | 10 | 10 | 10 | | 10 | 10 |
| 14 | FS106101L | SCREW | 5305-99-122-8665 | 10 | 10 | 10 | 10 | 10 | | 10 | 10 |
| 15 | MWC8270 | PANEL-DOOR-RH | | 1 | 1 | 1 | 1 | 1 | | 1 | 1 |
| | MWC8271 | PANEL-DOOR-LH | | 1 | 1 | 1 | 1 | 1 | | 1 | 1 |
| 16 | MUC5376 | PAD-SOUND | | 2 | 2 | 2 | 2 | 2 | | 2 | 2 |
| 17 | E106161L | SCREW-DEFLECTOR | 5305-99-135-0440 | 4 | 4 | 4 | 4 | 4 | | 4 | 4 |
| 18 | WE106001L | WASHER-LOCK | | 4 | 4 | 4 | 4 | 4 | | 4 | 4 |
| 19 | MXC7570 | DEFLECTOR-RH | | 1 | 1 | 1 | 1 | 1 | | 1 | 1 |
| | MXC7571 | DEFLECTOR-LH | | 1 | 1 | 1 | 1 | 1 | | 1 | 1 |

CHANGE POINT

ARN INTRODUCTION

GROUP SBA



**FRONT SIDE DOOR HINGE,
CHECK LINK AND REAR VIEW MIRROR
EXCEPT LRPV**

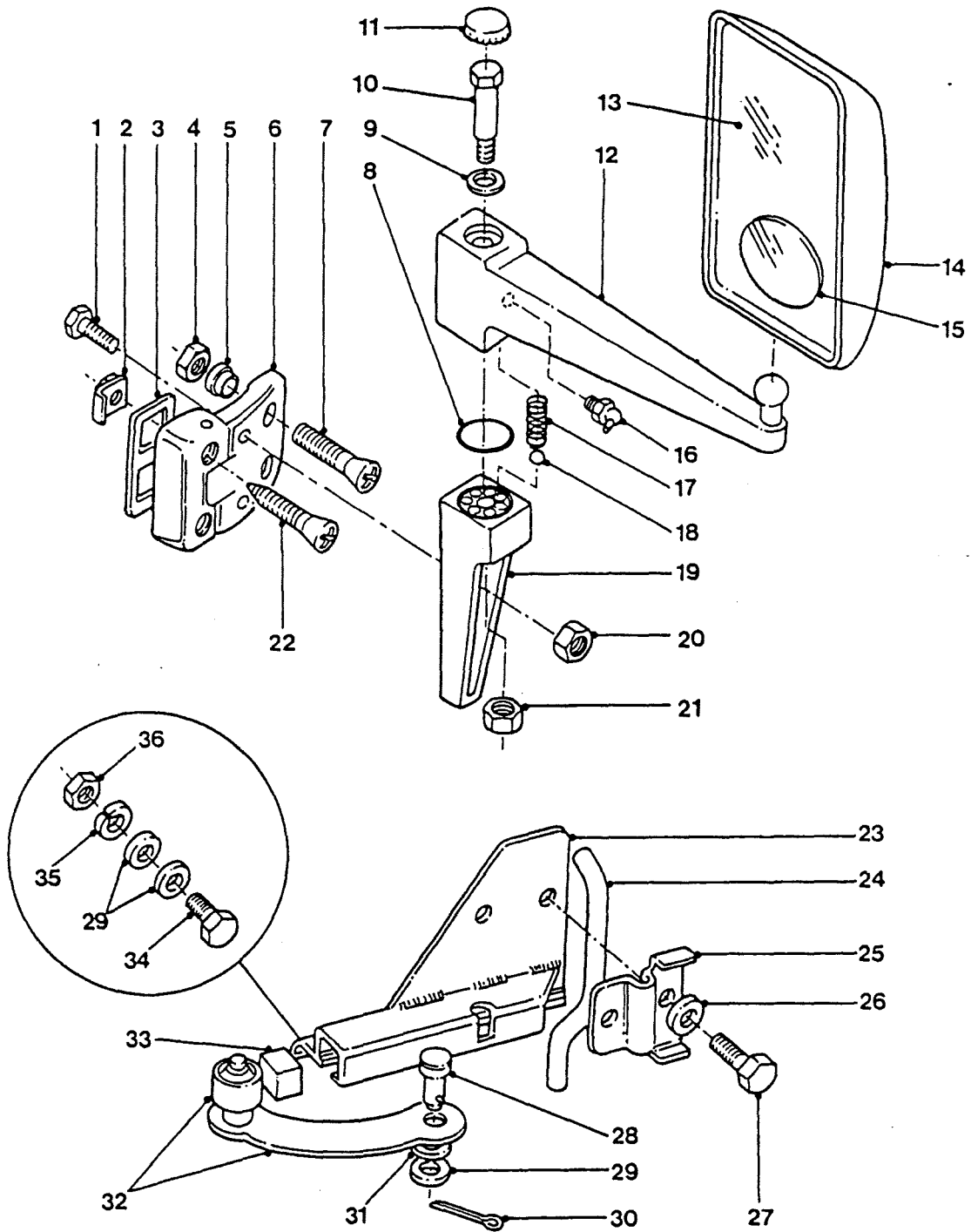
PERENTIE LAND ROVER PARTS LIST

SBA /1/1 FRONT SIDE DOOR HINGE; CHECK LINK AND REAR VIEW MIRROR

DERIVATIVE CODE

| ITEM | PART NO. | DESCRIPTION | NSN | 2185 | 2186 | 2208 | 2209 | 2210 | 2211 | 2212 | 2219 | CP |
|------|-----------|-------------------|------------------|------|------|------|------|------|------|------|------|----|
| 1 | BH106061L | BOLT | 5306-99-122-5245 | 4 | 4 | 4 | 4 | 4 | | 4 | 4 | |
| 2 | MRC2178 | NUT | 5310-99-138-5889 | 8 | 8 | 8 | 8 | 8 | | 8 | 8 | |
| 3 | R347369 | WASHER | 5330-99-824-8467 | 4 | 4 | 4 | 4 | 4 | | 4 | 4 | |
| 4 | NH605041L | NUT | 5310-66-128-4505 | 8 | 8 | 8 | 8 | 8 | | 8 | 8 | |
| 5 | MRC1980 | WASHER-NYLON | 2510-99-829-7487 | 8 | 8 | 8 | 8 | 8 | | 8 | 8 | |
| 6 | MXC8285 | HINGE-UPPER-LH | 2510-66-128-6236 | 1 | 1 | 1 | 1 | 1 | | 1 | 1 | |
| | MXC8284 | HINGE-UPPER-RH | 2510-66-128-6237 | 1 | 1 | 1 | 1 | 1 | | 1 | 1 | |
| | MXC8283 | HINGE-LOWER-LH | 2510-99-824-8459 | 1 | 1 | 1 | 1 | 1 | | 1 | 1 | |
| | MXC8282 | HINGE-LOWER-RH | 2510-99-824-8458 | 1 | 1 | 1 | 1 | 1 | | 1 | 1 | |
| 7 | IWC1899 | SCREW-HINGE | 5305-66-128-5090 | 8 | 8 | 8 | 8 | 8 | | 8 | 8 | |
| 8 | MYH3313 | O RING-MIRROR | | 2 | 2 | 2 | 2 | 2 | | 2 | 2 | |
| 9 | AYG33 | WASHER-COPPER | | 2 | 2 | 2 | 2 | 2 | | 2 | 2 | |
| 10 | HYG2942 | BOLT-MIRROR | | 2 | 2 | 2 | 2 | 2 | | 2 | 2 | |
| 11 | MYH3323 | GROMMET-BLANKING | 5325-66-128-5777 | 2 | 2 | 2 | 2 | 2 | | 2 | 2 | |
| 12 | HYG3386 | ARM ASSY-MIRROR | 2540-66-128-5799 | 2 | 2 | 2 | 2 | 2 | | 2 | 2 | |
| 13 | RTC4342 | GLASS-MIRROR | 9340-66-128-5849 | 2 | 2 | 2 | 2 | 2 | | 2 | 2 | |
| 14 | MUC3708 | MIRROR HEAD-LH | 2540-66-128-4281 | 1 | 1 | 1 | 1 | 1 | | 1 | 1 | |
| | MUC3707 | MIRROR HEAD-RH | 2540-66-128-4280 | 1 | 1 | 1 | 1 | 1 | | 1 | 1 | |
| 15 | HYM444 | MIRROR-BLIND SPOT | 2540-66-135-0374 | 2 | 2 | 2 | 2 | 2 | | 2 | 2 | |
| 16 | LNO50041 | GREASE NIPPLE | | 2 | 2 | 2 | 2 | 2 | | 2 | 2 | |
| 17 | YG3492 | SPRING | 5360-66-128-5083 | 12 | 12 | 12 | 12 | 12 | | 12 | 12 | |
| 18 | MYH3170 | BALL | 3110-66-128-5119 | 12 | 12 | 12 | 12 | 12 | | 12 | 12 | |
| 19 | HYG2936 | MOUNTING-ARM | | 2 | 2 | 2 | 2 | 2 | | 2 | 2 | |
| 20 | NY106041L | NUT-NYLOC | 5310-99-138-8423 | 4 | 4 | 4 | 4 | 4 | | 4 | 4 | |
| 21 | NY110041L | NUT-NYLOC | 5310-99-122-5497 | 2 | 2 | 2 | 2 | 2 | | 2 | 2 | |
| 22 | R79221 | SCREW | 5305-99-941-1769 | 8 | 8 | 8 | 8 | 8 | | 8 | 8 | |
| 23 | MWC5019 | CHANNEL-DOOR-LH | | 1 | 1 | 1 | 1 | 1 | | 1 | 1 | |
| | MWC5018 | CHANNEL-DOOR-RH | | 1 | 1 | 1 | 1 | 1 | 1 | | 1 | |
| 24 | MUC6159 | BAR-TORSION-LH | | 1 | 1 | 1 | 1 | 1 | | 1 | 1 | |

GROUP SBA



**FRONT SIDE DOOR HINGE,
CHECK LINK AND REAR VIEW MIRROR
EXCEPT LRPV**

PERENTIE LAND ROVER PARTS LIST

SBA /1/1 FRONT SIDE DOOR HINGE, CHECK LINK AND REAR VIEW MIRROR

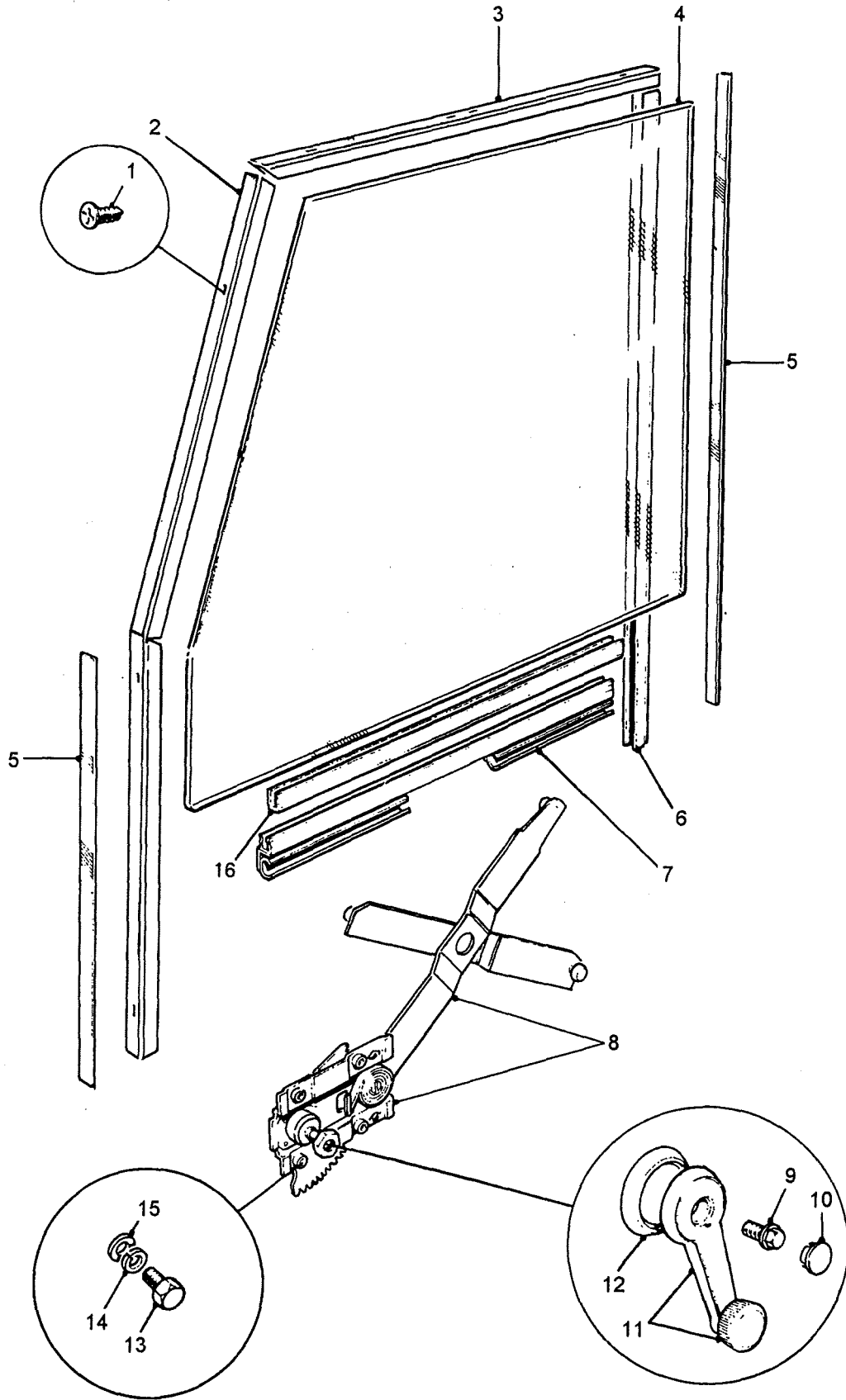
DERIVATIVE CODE

| <u>ITEM</u> | <u>PART NO.</u> | <u>DESCRIPTION</u> | <u>NSN</u> | <u>2185</u> | <u>2186</u> | <u>2208</u> | <u>2209</u> | <u>2210</u> | <u>2211</u> | <u>2212</u> | <u>2219</u> | <u>CP</u> |
|-------------|-----------------|-------------------------------------|------------------|-------------|-------------|-------------|-------------|-------------|-------------|-------------|-------------|-----------|
| | MUC6158 | BAR-TORSION-RH | | 1 | 1 | 1 | 1 | 1 | | 1 | 1 | |
| 25 | MWC6450 | BRACKET-PIVOT | | 2 | 2 | 2 | 2 | 2 | | 2 | 2 | |
| 26 | WA106041L | WASHER-PLAIN | 5310-66-098-4440 | 4 | 4 | 4 | 4 | 4 | | 4 | 4 | |
| 27 | SH106301L | SCREW | 5305-99-122-5363 | 4 | 4 | 4 | 4 | 4 | | 4 | 4 | |
| 28 | PC108321L | PIN-CLEVIS | 5315-99-760-0774 | 2 | 2 | 2 | 2 | 2 | | 2 | 2 | |
| 29 | WA108051L | WASHER-PLAIN | 5310-99-122-6475 | 6 | 6 | 6 | 6 | 6 | | 6 | 6 | |
| 30 | PS104121L | SPLIT PIN-ALTERNATIVE TO NTC6195 | 5315-66-128-5104 | 2 | 2 | 2 | 2 | 2 | | 2 | 2 | |
| 30 | NTC6195 | R CLIP | | 2 | 2 | 2 | 2 | 2 | | 2 | 2 | |
| 31 | 302373 | WASHER-RUBBER | 5310-99-849-8248 | 2 | 2 | 2 | 2 | 2 | | 2 | 2 | |
| 32 | ALR2322 | LINK-CHECK-LH | 2540-66-128-5128 | 1 | 1 | 1 | 1 | 1 | | 1 | 1 | |
| | ALR2321 | LINK-CHECK-RH | 2540-66-128-5127 | 1 | 1 | 1 | 1 | 1 | | 1 | 1 | |
| 33 | MWC5759 | BUFFER-RUBBER | 5340-66-128-5250 | 2 | 2 | 2 | 2 | 2 | | 2 | 2 | |
| 34 | FS108201 | SCREW | 5305-99-122-5366 | 2 | 2 | 2 | 2 | 2 | | 2 | 2 | |
| 35 | WL108001L | WASHER-LOCK | 5310-99-138-9227 | 2 | 2 | 2 | 2 | 2 | | 2 | 2 | |
| 36 | FN108041 | NUT | 5310-99-499-8033 | 2 | 2 | 2 | 2 | 2 | | 2 | 2 | |

CHANGE POINT

ARN INTRODUCTION

GROUP SBB



**FRONT SIDE DOOR WINDOW GLASS &
WIND-UP MECHANISM**

PERENTIE LAND ROVER PARTS LIST

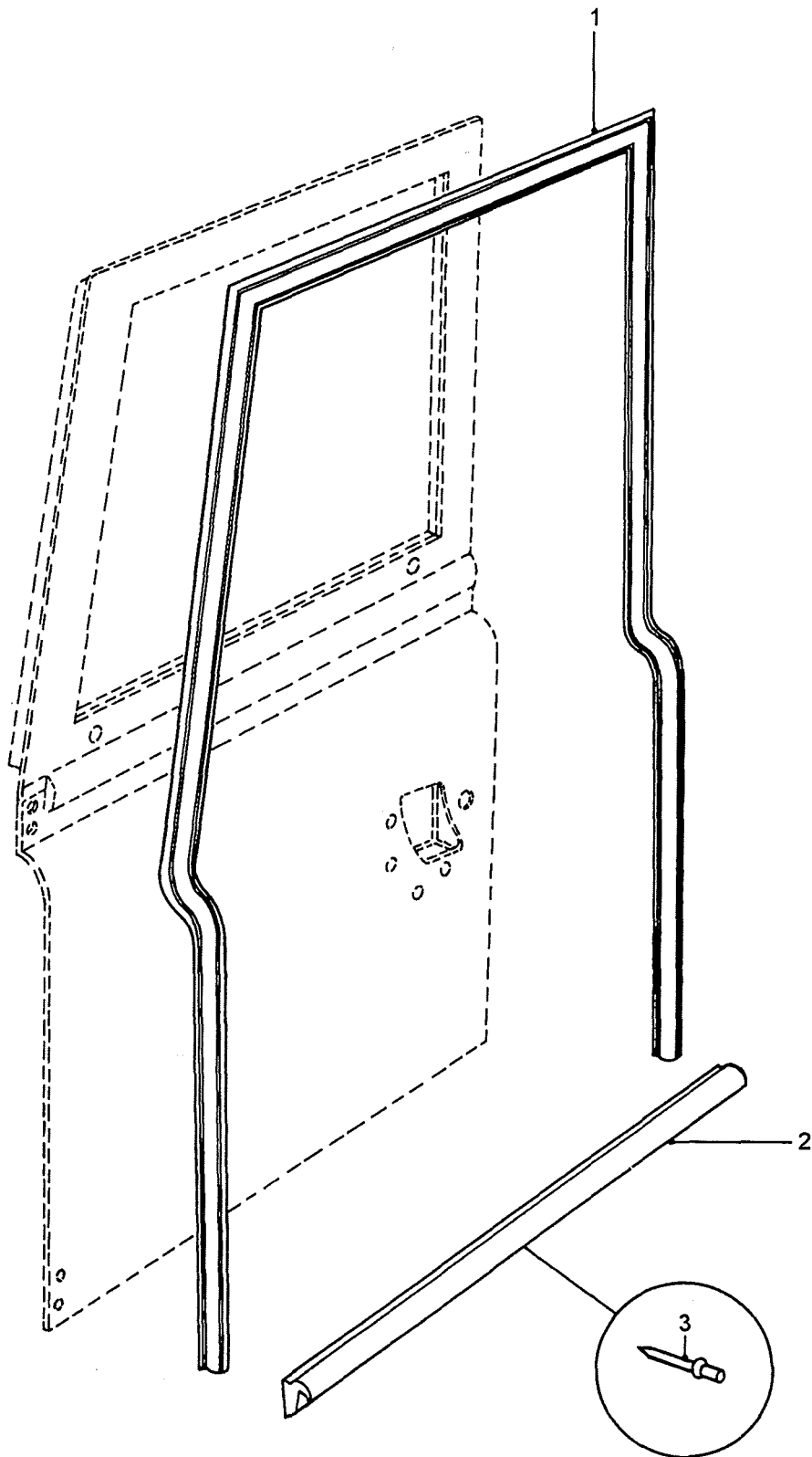
SBB /1/1 FRONT SIDE DOOR WINDOW GLASS & WIND-UP MECHANISM

| ITEM | PART NO. | DESCRIPTION | NSN | DERIVATIVE CODE | | | | | | | |
|------|------------|---------------------|------------------|-----------------|------|------|------|------|------|------|---------|
| | | | | 2185 | 2186 | 2208 | 2209 | 2210 | 2211 | 2212 | 2219 CP |
| 1 | AC606031L | SCREW | 5305-66-128-5091 | 12 | 12 | 12 | 12 | 12 | | 12 | 12 |
| | AC606041L | SCREW | 5305-99-135-7506 | 12 | 12 | 12 | 12 | 12 | | 12 | 12 |
| 2 | MXC5829 | CHANNEL-FRONT | | 2 | 2 | 2 | 2 | 2 | | 2 | 2 |
| 3 | MXC5832 | CHANNEL-TOP | | 2 | 2 | 2 | 2 | 2 | | 2 | 2 |
| 4 | MWC4720 | GLASS-DOOR-FRONT | | 2 | 2 | 2 | 2 | 2 | | 2 | 2 |
| 5 | MUC4073 | SHIM-ADJUST | | 4 | 4 | 4 | 4 | 4 | | 4 | 4 |
| 6 | MWC4708 | CHANNEL-REAR | | 2 | 2 | 2 | 2 | 2 | | 2 | 2 |
| 7 | MTC8477 | CHANNEL-WINDOW LIFT | | 2 | 2 | 2 | 2 | 2 | | 2 | 2 |
| 8 | MUC3024 | REGULATOR-RH | 2590-99-978-2586 | 1 | 1 | 1 | 1 | 1 | | 1 | 1 |
| | MUC3025 | REGULATOR-LH | 2590-99-782-0583 | 1 | 1 | 1 | 1 | 1 | | 1 | 1 |
| 9 | ADU5727L | SCREW | 5305-99-769-4643 | 2 | 2 | 2 | 2 | 2 | | 2 | 2 |
| 10 | RTC3940PA | COVER-HANDLE | 2540-99-769-4641 | 2 | 2 | 2 | 2 | 2 | | 2 | 2 |
| 11 | RTC3939PA | HANDLE-REGULATOR | 2540-99-769-4640 | 2 | 2 | 2 | 2 | 2 | | 2 | 2 |
| 12 | JPC9023PMA | ESCUTCHEON | | 2 | 2 | 2 | 2 | 2 | | 2 | 2 |
| 13 | FS106101L | SCREW | 5305-99-122-8665 | 8 | 8 | 8 | 8 | 8 | | 8 | 8 |
| 14 | WL106001L | WASHER-LOCK | 5310-99-137-9232 | 8 | 8 | 8 | 8 | 8 | | 8 | 8 |
| 15 | WA106041L | WASHER-PLAIN | 5310-66-098-4440 | 8 | 8 | 8 | 8 | 8 | | 8 | 8 |
| 16 | MWC4763 | RUBBER-GLAZING | 9320-99-777-0332 | 2 | 2 | 2 | 2 | 2 | | 2 | 2 |

CHANGE POINT

ARN INTRODUCTION

GROUP SBC/1



**FRONT DOOR SEALS
- EXCEPT CREW CAB**

PERENTIE LAND ROVER PARTS LIST

SBC /1/1 FRONT DOOR SEALS - EXCEPT CREW CAB

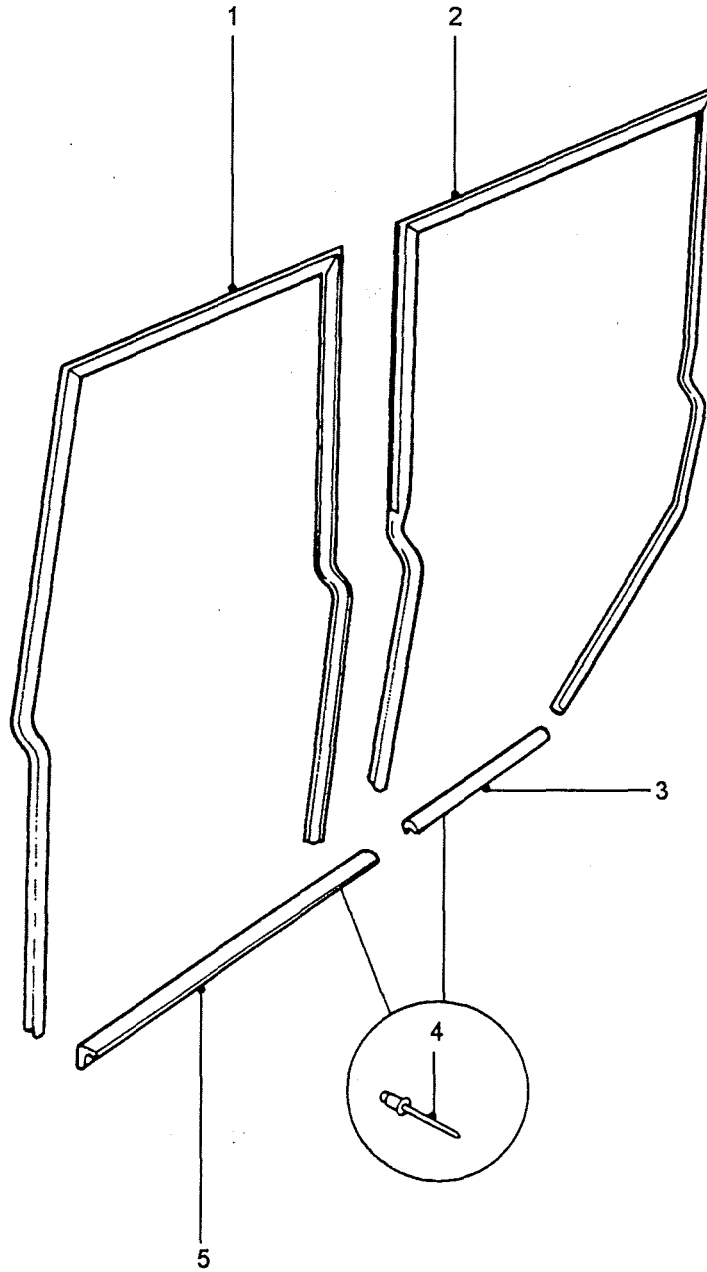
DERIVATIVE CODE

| <u>ITEM</u> | <u>PART NO.</u> | <u>DESCRIPTION</u> | <u>NSN</u> | <u>2185</u> | <u>2186</u> | <u>2208</u> | <u>2209</u> | <u>2210</u> | <u>2211</u> | <u>2212</u> | <u>2219</u> | <u>CP</u> |
|-------------|-----------------|--------------------|------------------|-------------|-------------|-------------|-------------|-------------|-------------|-------------|-------------|-----------|
| 1 | MWC1081 | SEAL-DOOR-LH | 2510-99-764-6290 | 1 | 1 | 1 | 1 | 1 | | | 1 | |
| | MWC1080 | SEAL-DOOR-RH | 5330-99-749-5738 | 1 | 1 | 1 | 1 | 1 | | | 1 | |
| 2 | MWC6130 | SEAL-SILL | 5330-66-128-4680 | 2 | 2 | 2 | 2 | 2 | | | 2 | |
| 3 | R78248 | POP RIVET | 5320-99-970-3518 | 16 | 16 | 16 | 16 | 16 | | | 16 | |

CHANGE POINT

ARN INTRODUCTION

GROUP SBC/2



**FRONT AND REAR DOOR SEALS
- CREW CAB ONLY**

PERENTIE LAND ROVER PARTS LIST

SBC /2/1 FRONT AND REAR DOOR SEALS - CREW CAB ONLY

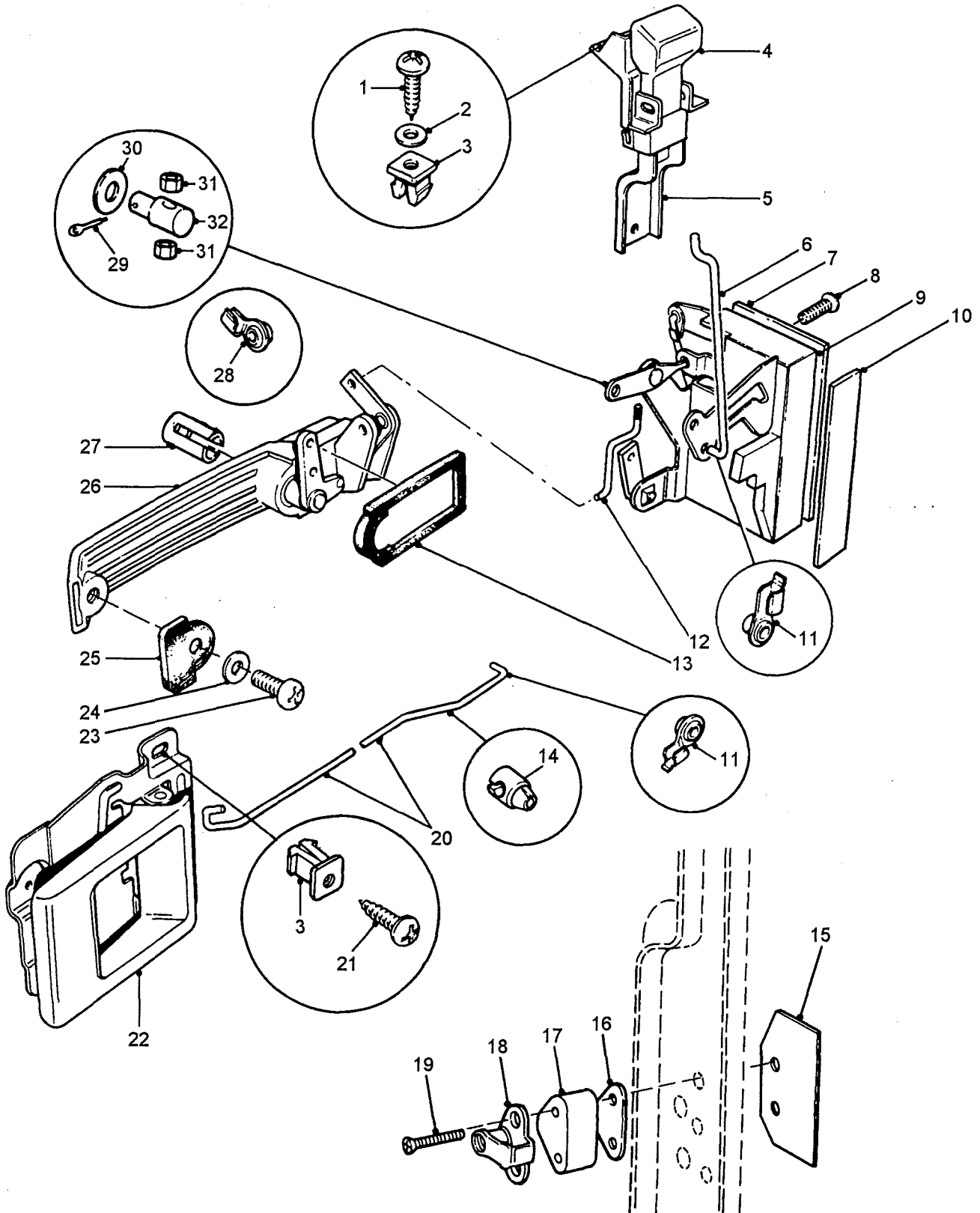
DERIVATIVE CODE

| <u>ITEM</u> | <u>PART NO.</u> | <u>DESCRIPTION</u> | <u>NSN</u> | <u>2185</u> | <u>2186</u> | <u>2208</u> | <u>2209</u> | <u>2210</u> | <u>2211</u> | <u>2212</u> | <u>2219</u> | <u>CP</u> |
|-------------|-----------------|------------------------|------------------|-------------|-------------|-------------|-------------|-------------|-------------|-------------|-------------|-----------|
| 1 | MWC1081 | SEAL-DOOR-FRONT-LH | 2510-99-764-6290 | | | | | | | | | 1 |
| | MWC1080 | SEAL-DOOR-FRONT-RH | 5330-99-749-5738 | | | | | | | | | 1 |
| 2 | MWC1083 | SEAL-DOOR-REAR-LH | 5330-66-128-5260 | | | | | | | | | 1 |
| | MWC1082 | SEAL-DOOR-REAR-RH | 5330-66-128-5259 | | | | | | | | | 1 |
| 3 | MWC6129 | SEAL-SILL-REAR DOOR-LH | 5330-66-128-5257 | | | | | | | | | 1 |
| | MWC6128 | SEAL-SILL-REAR DOOR-RH | 5330-66-128-5258 | | | | | | | | | 1 |
| 4 | R78248 | POP RIVET | 5320-99-970-3518 | | | | | | | | | 24 |
| 5 | MWC6130 | SEAL-SILL-FRONT DOORS | 5330-66-128-4680 | | | | | | | | | 2 |

CHANGE POINT

ARN INTRODUCTION

GROUP SBD



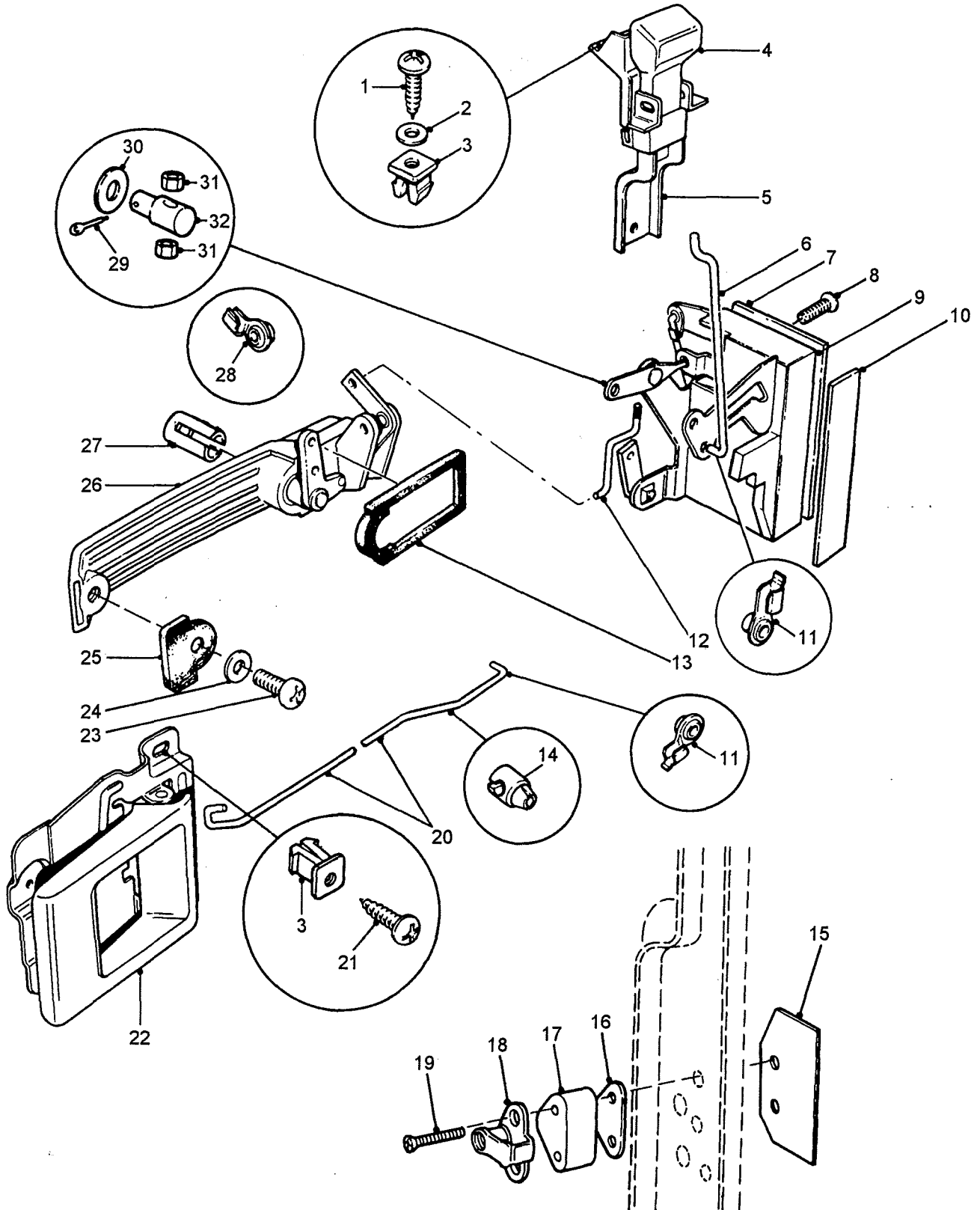
FRONT SIDE DOOR LOCK MECHANISM

PERENTIE LAND ROVER PARTS LIST

SBD /1/1 FRONT SIDE DOOR LOCK MECHANISM

| ITEM | PART NO. | DESCRIPTION | NSN | DERIVATIVE CODE | | | | | | | |
|------|------------|--|------------------|-----------------|------|------|------|------|------|------|------|
| | | | | 2185 | 2186 | 2208 | 2209 | 2210 | 2211 | 2212 | 2219 |
| 1 | AB606041L | SCREW | 5305-99-950-4416 | 4 | 4 | 4 | 4 | 4 | | 4 | 4 |
| 2 | WA104001L | WASHER-PLAIN | 5310-99-122-3031 | 4 | 4 | 4 | 4 | 4 | | 4 | 4 |
| 3 | MWC1950 | NUT-LOKUT | 5310-66-128-5213 | 8 | 8 | 8 | 8 | 8 | | 8 | 8 |
| 4 | JRC1775PMA | BUTTON-DOOR | | 2 | 2 | 2 | 2 | 2 | | 2 | 2 |
| 5 | BRC8965PMA | HOUSING-SILL LOCK CONTROL | | 2 | 2 | 2 | 2 | 2 | | 2 | 2 |
| 6 | MWC1484 | LINK-SILL LOCK | | 2 | 2 | 2 | 2 | 2 | | 2 | 2 |
| 7 | MXC8222 | GASKET-DOOR-RH | | 1 | 1 | 1 | 1 | 1 | | 1 | 1 |
| | MXC8223 | GASKET-DOOR-LH | | 1 | 1 | 1 | 1 | 1 | | 1 | 1 |
| 8 | BF106161L | SCREW | 5305-99-122-5290 | 6 | 6 | 6 | 6 | 6 | | 6 | 6 |
| 9 | HYG2752 | LATCH-FRONT-RH | 2540-66-128-5800 | 1 | 1 | 1 | 1 | 1 | | 1 | 1 |
| | HYG2753 | LATCH-FRONT-LH | 2540-66-128-5801 | 1 | 1 | 1 | 1 | 1 | | 1 | 1 |
| 10 | MXC8224 | SEAL-LOCK-RH | | 1 | 1 | 1 | 1 | 1 | | 1 | 1 |
| | MXC8225 | SEAL-LOCK-LH | | 1 | 1 | 1 | 1 | 1 | | 1 | 1 |
| 11 | BFP1265 | CLIP-LINKAGE | 5340-66-128-5267 | 4 | 4 | 4 | 4 | 4 | | 4 | 4 |
| 12 | MWC4846 | LINK-DOOR LOCK-RH | | 1 | 1 | 1 | 1 | 1 | | 1 | 1 |
| | MWC4847 | LINK-DOOR LOCK-LH | | 1 | 1 | 1 | 1 | 1 | | 1 | 1 |
| 13 | STC617 | KIT-GASKET-HANDLE (INCLUDES ITEMS 13 & 25) | | 1 | 1 | 1 | 1 | 1 | | 1 | 1 |
| 14 | GHF1192 | CLIP | 2530-99-830-2724 | 2 | 2 | 2 | 2 | 2 | | 2 | 2 |
| 15 | IWC1812 | PLATE-STRIKER-RH | | 1 | 1 | 1 | 1 | 1 | | 1 | 1 |
| | MWC1813 | PLATE-STRIKER-LH | | 1 | 1 | 1 | 1 | 1 | | 1 | 1 |
| 16 | MWC3148 | PACKER-STRIKER | | 4 | 4 | 4 | 4 | 4 | | 4 | 4 |
| 17 | MUC7809 | SPACER-LOCK | | 2 | 2 | 2 | 2 | 2 | | 2 | 2 |
| 18 | MUC8526 | STRIKER-DOOR | 5340-66-128-5247 | 2 | 2 | 2 | 2 | 2 | | 2 | 2 |
| 19 | MXC9689 | SCREW | | 4 | 4 | 4 | 4 | 4 | | 4 | 4 |
| 20 | MWC1486 | LINK-HANDLE-RH | | 1 | 1 | 1 | 1 | 1 | | 1 | 1 |
| | MWC1487 | LINK-HANDLE-LH | | 1 | 1 | 1 | 1 | 1 | | 1 | 1 |
| 21 | MUC3394 | SCREW | 5305-66-128-5246 | 4 | 4 | 4 | 4 | 4 | | 4 | 4 |

GROUP SBD



FRONT SIDE DOOR LOCK MECHANISM

PERENTIE LAND ROVER PARTS LIST

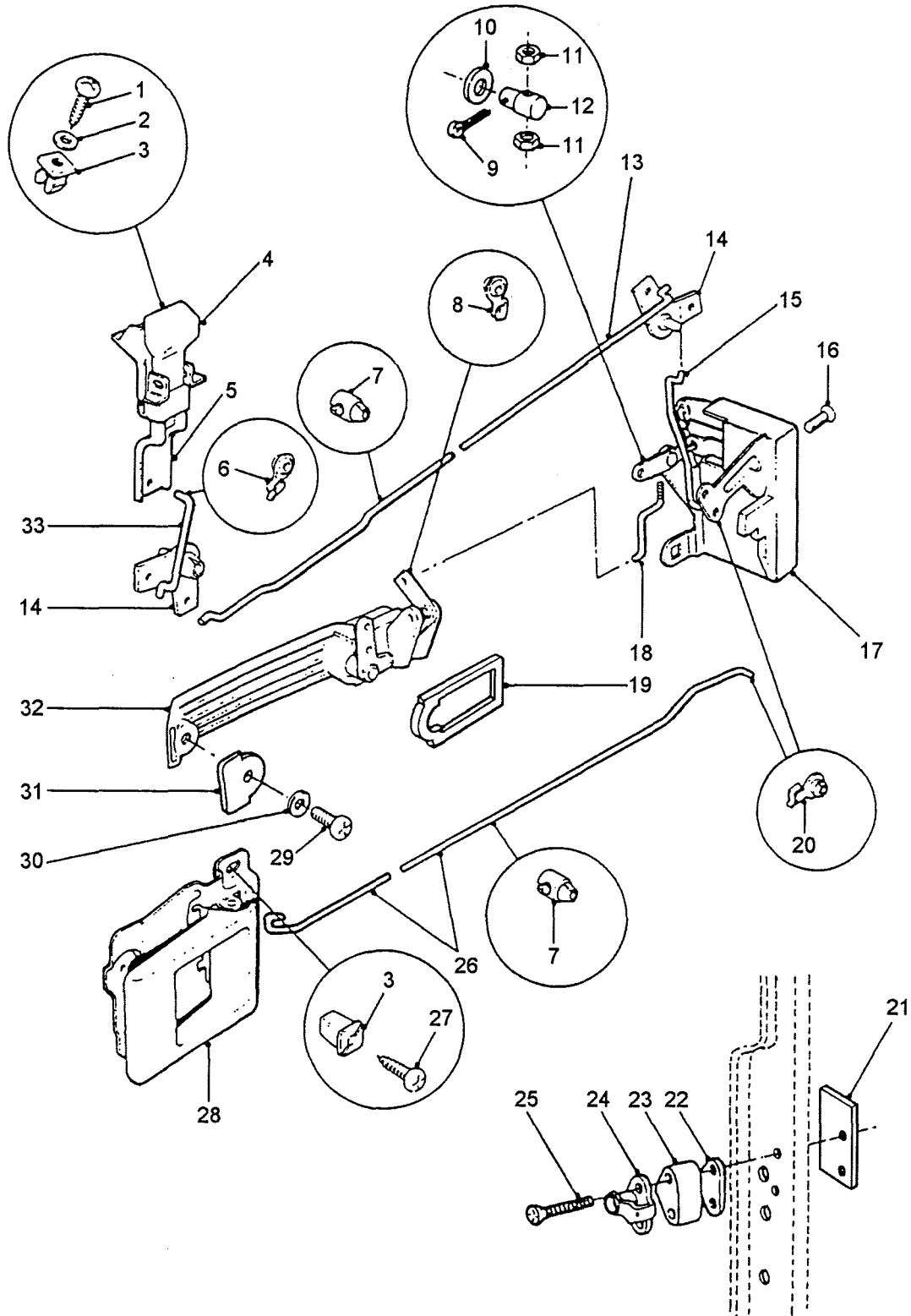
SBD /1/1 FRONT SIDE DOOR LOCK MECHANISM

| ITEM | PART NO. | DESCRIPTION | NSN | DERIVATIVE CODE | | | | | | | |
|------|------------|--|------------------|-----------------|------|------|------|------|------|------|------|
| | | | | 2185 | 2186 | 2208 | 2209 | 2210 | 2211 | 2212 | 2219 |
| 22 | DBP5840PMA | HANDLE-DOOR-INNER-RH | 2540-66-128-5142 | 1 | 1 | 1 | 1 | 1 | | 1 | 1 |
| | DBP5841PMA | HANDLE-DOOR-INNER-LH | 2540-66-128-5143 | 1 | 1 | 1 | 1 | 1 | | 1 | 1 |
| 23 | SE105101L | SCREW | 5305-99-135-0429 | 4 | 4 | 4 | 4 | 4 | | 4 | 4 |
| 24 | WA105001L | WASHER-PLAIN | 5310-99-122-3032 | 4 | 4 | 4 | 4 | 4 | | 4 | 4 |
| 25 | STC617 | KIT-GASKET-HANDLE (INCLUDES ITEMS 13 & 25) | | 1 | 1 | 1 | 1 | 1 | | 1 | 1 |
| 26 | MXC7652 | HANDLE-DOOR-OUTER-RH | 2540-66-128-5802 | 1 | 1 | 1 | 1 | 1 | | 1 | 1 |
| | MXC7651 | HANDLE-DOOR-OUTER-LH | 2540-66-128-5803 | 1 | 1 | 1 | 1 | 1 | | 1 | 1 |
| 27 | HYG3528 | PLUG-LATCH | | 2 | 2 | 2 | 2 | 2 | | 2 | 2 |
| 28 | R634604 | CLIP-LINKAGE | 5340-66-128-5268 | 2 | 2 | 2 | 2 | 2 | | 2 | 2 |
| 29 | PS103101L | SPLIT PIN | 5315-66-128-5248 | 2 | 2 | 2 | 2 | 2 | | 2 | 2 |
| 30 | WA106041L | WASHER-PLAIN | 5310-66-098-4440 | 2 | 2 | 2 | 2 | 2 | | 2 | 2 |
| 31 | NH104041L | NUT | 5310-66-128-4720 | 4 | 4 | 4 | 4 | 4 | | 4 | 4 |
| 32 | MWC4850 | ADJUSTER | | 2 | 2 | 2 | 2 | 2 | | 2 | 2 |

CHANGE POINT

ARN INTRODUCTION

GROUP SBE



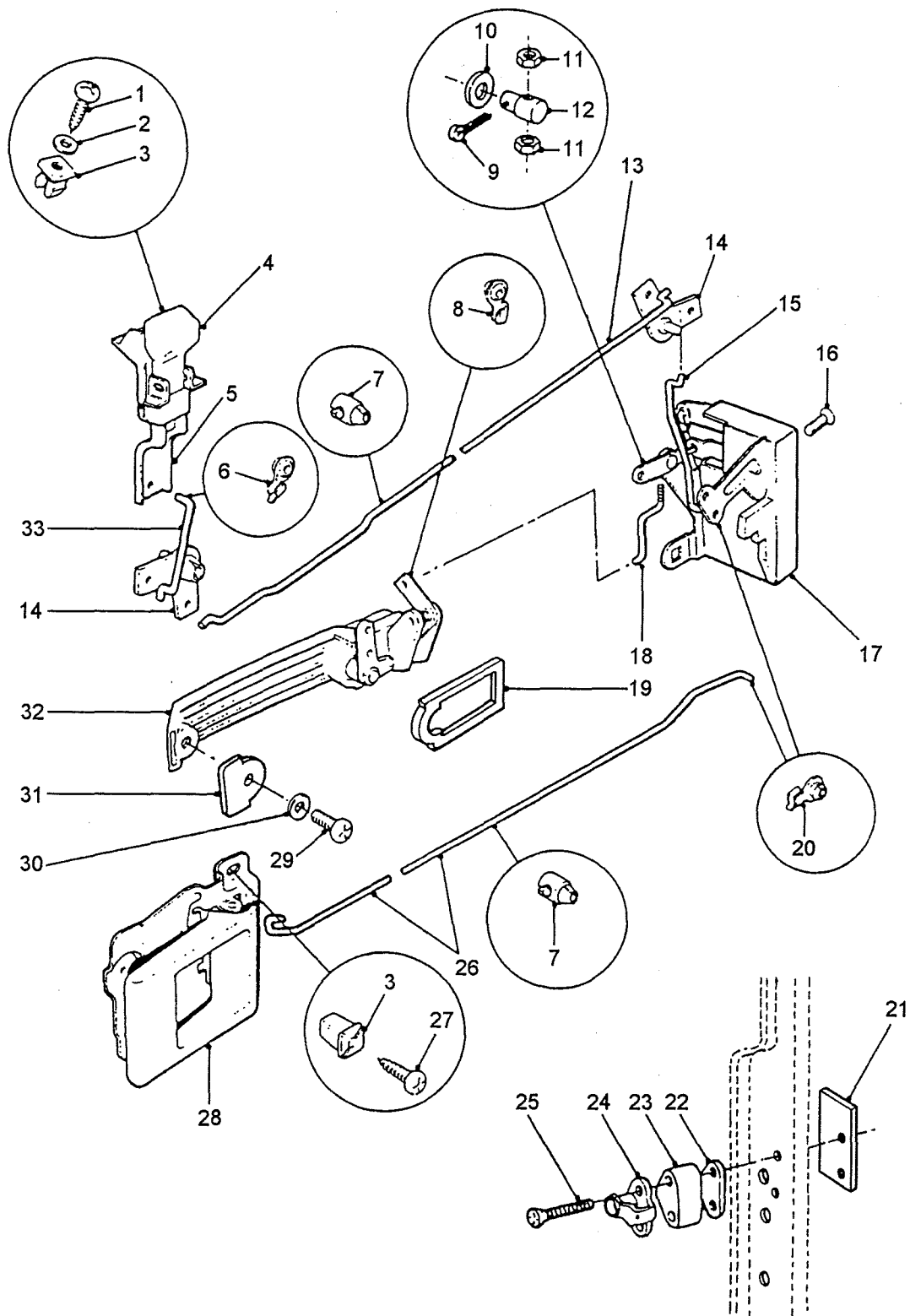
**REAR SIDE DOOR LOCK MECHANISM
- CREW CAB ONLY**

PERENTIE LAND ROVER PARTS LIST

SBE /1/1 REAR SIDE DOOR LOCK MECHANISM - CREW CAB ONLY

DERIVATIVE CODE

| ITEM | PART NO. | DESCRIPTION | NSN | DERIVATIVE CODE | | | | | | | CP |
|------|------------|--|------------------|-----------------|------|------|------|------|------|------|----|
| | | | | 2185 | 2186 | 2208 | 2209 | 2210 | 2211 | 2212 | |
| 1 | AB606041L | SCREW | 5305-99-950-4416 | | | | | | | | 4 |
| 2 | WA104001L | WASHER-PLAIN | 5310-99-122-3031 | | | | | | | | 4 |
| 3 | MWC1950 | NUT-LOKUT | 5310-66-128-5213 | | | | | | | | 8 |
| 4 | JRC1775PMA | BUTTON-DOOR | | | | | | | | | 2 |
| 5 | BRC8965PMA | HOUSING-SILL LOCK CONTROL | | | | | | | | | 2 |
| 6 | R634604 | CLIP-LINKAGE | 5340-66-128-5268 | | | | | | | | 2 |
| 7 | GHF1192 | CLIP-SUPPORT | 2530-99-830-2724 | | | | | | | | 4 |
| 8 | BHA4705L | CLIP-LINKAGE | 2540-99-777-0347 | | | | | | | | 4 |
| 9 | PS103101L | SPLIT PIN | 5315-66-128-5248 | | | | | | | | 2 |
| 10 | WA106041L | WASHER-PLAIN | 5310-66-098-4440 | | | | | | | | 2 |
| 11 | NH104041L | NUT | 5310-66-128-4720 | | | | | | | | 4 |
| 12 | MWC4850 | ADJUSTER-LATCH | | | | | | | | | 2 |
| 13 | MUC8365 | LINK-INTERMEDIATE | | | | | | | | | 4 |
| 14 | DZA1435L | LEVER-BELLCRANK | 3040-66-128-5132 | | | | | | | | 4 |
| 15 | MWC1485 | LINK-SILL LOCK | | | | | | | | | 2 |
| 16 | SF106161L | SCREW | 5305-99-122-5290 | | | | | | | | 6 |
| 17 | HYG6172 | LATCH ASSY-RH | 2540-66-128-5130 | | | | | | | | 1 |
| | HYG6173 | LATCH ASSY-LH | 2540-66-128-5134 | | | | | | | | 1 |
| 18 | MWC5002 | LINK-DOOR LOCK-RH | | | | | | | | | 1 |
| | MWC5001 | LINK-DOOR LOCK-LH | | | | | | | | | 1 |
| 19 | TC617 | KIT-GASKET-HANDLE (INCLUDES ITEMS 19 & 31) | | | | | | | | | 1 |
| 20 | BFP1265 | CLIP-LINKAGE | 5340-66-128-5267 | | | | | | | | 4 |
| 21 | MWC1622 | REINFORCEMENT | | | | | | | | | 2 |
| 22 | MWC3148 | PACKER-STRIKER | | | | | | | | | 4 |
| 23 | MUC7809 | SHIM-STRIKER | | | | | | | | | 2 |
| 24 | MUC8526 | STRIKER-DOOR | 5340-66-128-5247 | | | | | | | | 2 |
| 25 | SF106401 | SCREW | 5305-66-128-5217 | | | | | | | | 4 |
| 26 | MWC1492 | LINK-HANDLE-RH | | | | | | | | | 1 |

GROUP SBE

**REAR SIDE DOOR LOCK MECHANISM
- CREW CAB ONLY**

PERENTIE LAND ROVER PARTS LIST

SBE /1/1 REAR SIDE DOOR LOCK MECHANISM - CREW CAB ONLY

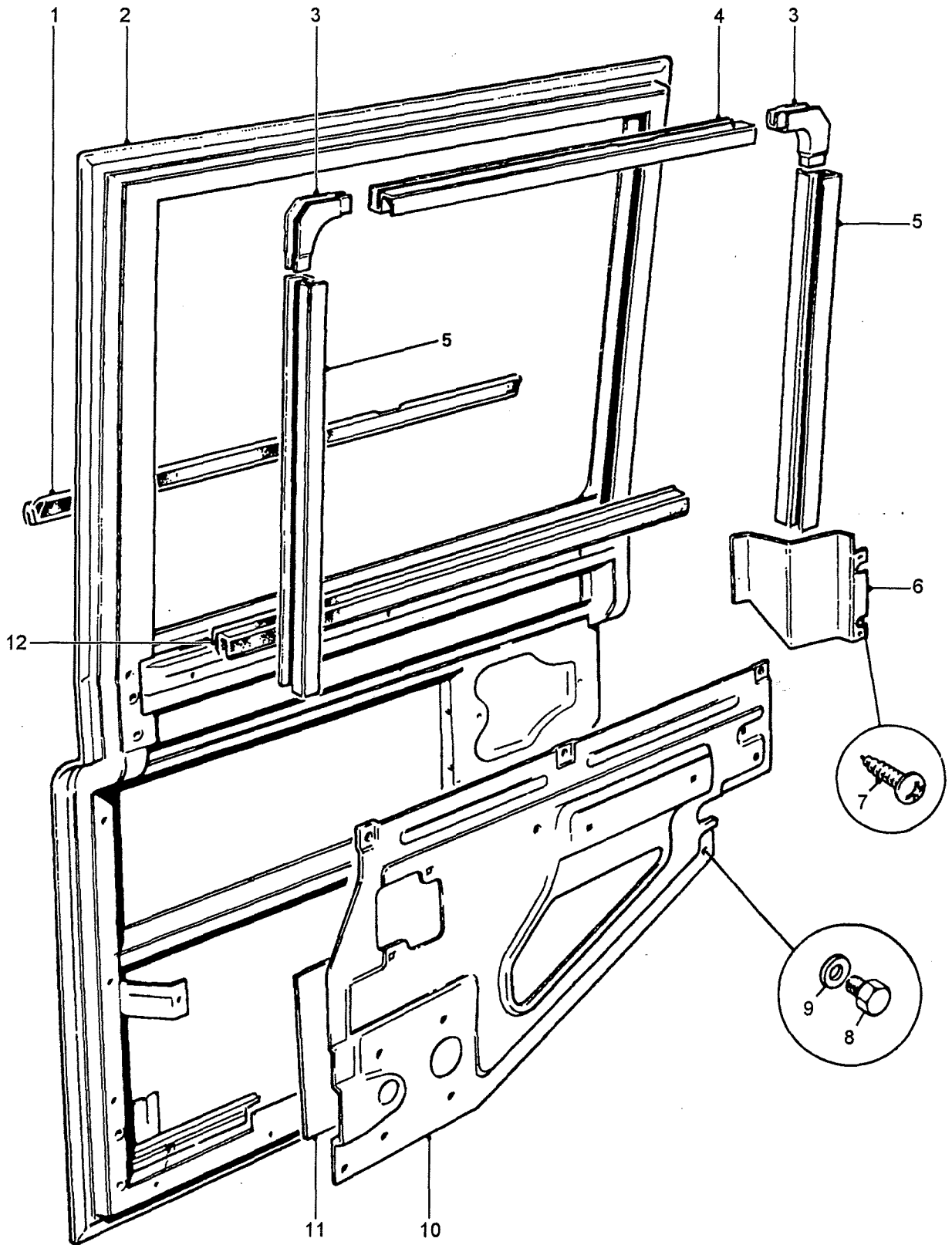
DERIVATIVE CODE

| <u>ITEM</u> | <u>PART NO.</u> | <u>DESCRIPTION</u> | <u>NSN</u> | <u>2185</u> | <u>2186</u> | <u>2208</u> | <u>2209</u> | <u>2210</u> | <u>2211</u> | <u>2212</u> | <u>2219</u> | <u>CP</u> |
|-------------|-----------------|--|------------------|-------------|-------------|-------------|-------------|-------------|-------------|-------------|-------------|-----------|
| | MWC1493 | LINK-HANDLE-LH | | | | | | | | | | 1 |
| 27 | MUC3394 | SCREW | 5305-66-128-5246 | | | | | | | | | 4 |
| 28 | DBP5840PMA | HANDLE-DOOR-INNER-RH | 2540-66-128-5142 | | | | | | | | | 1 |
| | DBP5841PMA | HANDLE-DOOR-INNER-LH | 2540-66-128-5143 | | | | | | | | | 1 |
| 29 | SE105101L | SCREW | 5305-99-135-0429 | | | | | | | | | 4 |
| 30 | WA105001L | WASHER-PLAIN | 5310-99-122-3032 | | | | | | | | | 4 |
| 31 | STC617 | KIT-GASKET-HANDLE (INCLUDES ITEMS 19 & 31) | | | | | | | | | | 1 |
| 32 | MXC2728 | HANDLE-DOOR-RH | 2540-66-128-5136 | | | | | | | | | 1 |
| | MXC2729 | HANDLE-DOOR-LH | 2540-66-128-5137 | | | | | | | | | 1 |
| 33 | MUC8364 | LINK-SILL LOCK | | | | | | | | | | 2 |
| | NH104041L | NUT-LINK-EXTERNAL RELAY | 5310-66-128-4720 | | | | | | | | | 2 |

CHANGE POINT

ARN INTRODUCTION

GROUP SC



**REAR SIDE DOORS AND FIXTURES
- CREW CAB ONLY**

PERENTIE LAND ROVER PARTS LIST

SC /1/1 REAR SIDE DOOR AND FIXTURES - CREW CAB ONLY

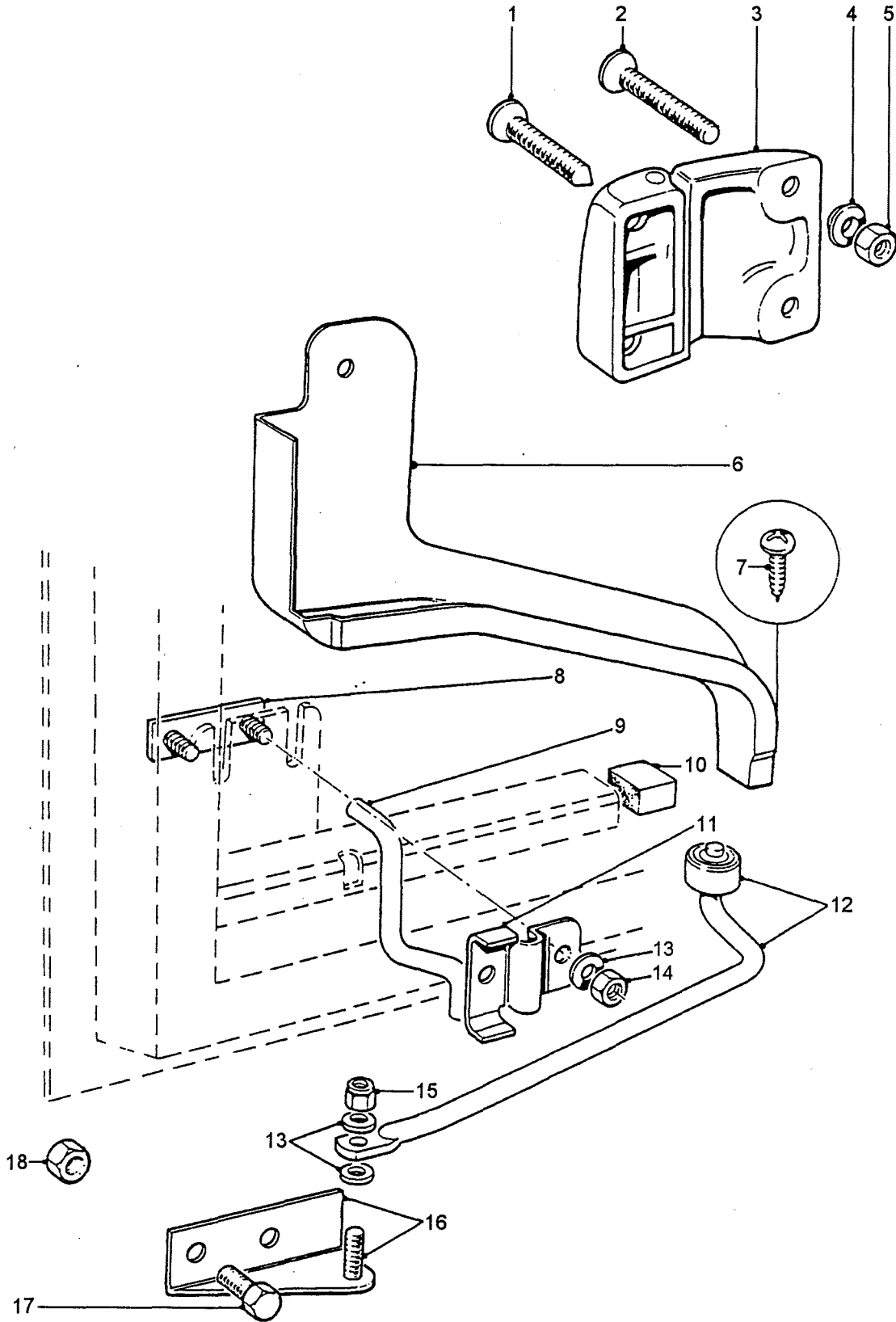
DERIVATIVE CODE

| ITEM | PART NO. | DESCRIPTION | NSN | DERIVATIVE CODE | | | | | | | CP |
|------|-----------|---------------------------|------------------|-----------------|------|------|------|------|------|------|----|
| | | | | 2185 | 2186 | 2208 | 2209 | 2210 | 2211 | 2212 | |
| 1 | MUC1604 | WAISTSEAL-RH | 5330-66-128-5256 | | | | | | | | 1 |
| 1 | MUC1605 | WAISTSEAL-LH | 5330-66-128-5255 | | | | | | | | 1 |
| 2 | MXC5194 | DOOR-REAR-RH | 2510-66-128-5138 | | | | | | | | 1 |
| 2 | RTC6269 | DOOR-REAR-LH | 2510-66-128-5141 | | | | | | | | 1 |
| 3 | R201235 | FILLER-CORNER | 2510-99-778-3583 | | | | | | | | 4 |
| 4 | MTC8788 | FILLER-TOP-RH | 2510-66-128-5235 | | | | | | | | 1 |
| 4 | MTC8789 | FILLER-TOP-LH | 2510-66-128-5236 | | | | | | | | 1 |
| 5 | MUC1651 | FILLER-VERTICAL | 2510-99-777-0326 | | | | | | | | 4 |
| 6 | MWC4412 | DEFLECTOR-WATER-RH | | | | | | | | | 1 |
| 6 | MWC4413 | DEFLECTOR-WATER-LH | | | | | | | | | 1 |
| 7 | AB606031L | SCREW | 5305-99-901-9736 | | | | | | | | 4 |
| 8 | FS106161 | SCREW | 5305-99-122-5360 | | | | | | | | 10 |
| 9 | WA106041L | WASHER-PLAIN | 5310-66-098-4440 | | | | | | | | 10 |
| 10 | RTC6238 | PANEL-INNER-RH | | | | | | | | | 1 |
| 10 | RTC6239 | PANEL-INNER-LH | | | | | | | | | 1 |
| 11 | R392107 | PAD-SOUND | | | | | | | | | 2 |
| 12 | MWC1900 | SEAL-WAIST | 5330-66-128-5254 | | | | | | | | 2 |
| | R78248 | POP RIVET-PLATE TO DOOR | 5320-99-970-3518 | | | | | | | | 2 |
| | HYG2912 | PLATE-WATER SHEDDER -RH | | | | | | | | | 1 |
| | HYG2911 | PLATE-WATER SHEDDER -LH | | | | | | | | | 1 |
| | MWC3294 | WATER CURTAIN | | | | | | | | | 2 |
| | R307220 | PLUG-REAR SIDE DOOR FRAME | | | | | | | | | 4 |

CHANGE POINT

ARN INTRODUCTION

GROUP SCA



REAR SIDE DOOR HINGE AND CHECKLINK - CREW CAB ONLY

PERENTIE LAND ROVER PARTS LIST

SCA /1/1

REAR SIDE DOOR HINGE AND CHECK LINK - CREW CAB ONLY

DERIVATIVE CODE

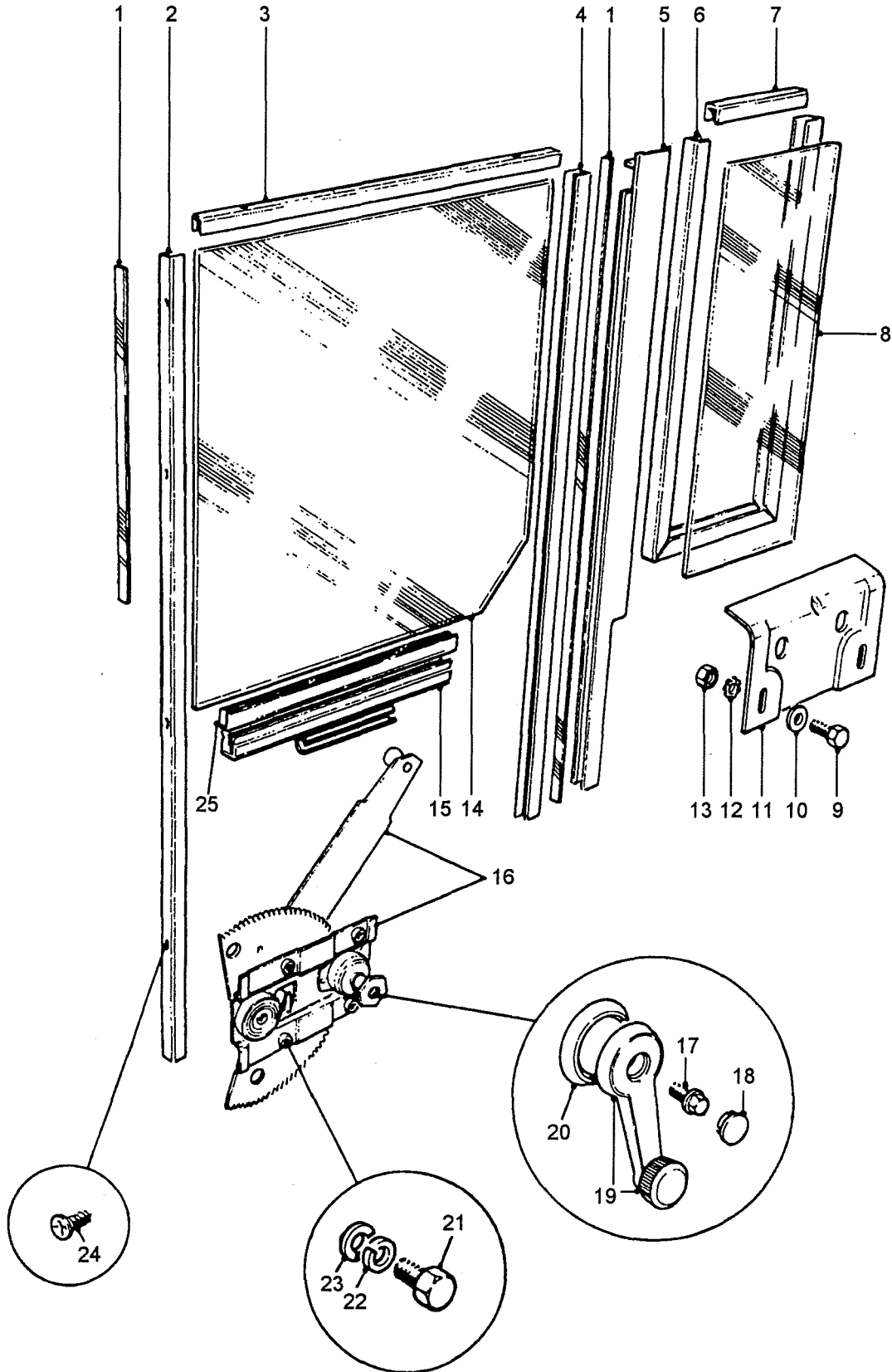
| <u>ITEM</u> | <u>PART NO.</u> | <u>DESCRIPTION</u> | <u>NSN</u> | <u>2185</u> | <u>2186</u> | <u>2208</u> | <u>2209</u> | <u>2210</u> | <u>2211</u> | <u>2212</u> | <u>2219</u> | <u>CP</u> |
|-------------|-----------------|--|------------------|-------------|-------------|-------------|-------------|-------------|-------------|-------------|-------------|-----------|
| 1 | MYH3676 | SCREW-LOWER | | | | | | | | | | 4 |
| | AFU1035 | SCREW-UPPER | 5305-99-734-5814 | | | | | | | | | 4 |
| 2 | MWC1899 | SCREW-HINGE TO DOOR | 5305-66-128-5090 | | | | | | | | | 8 |
| 3 | MXC8283 | HINGE-LOWER-LH | 2510-99-824-8459 | | | | | | | | | 2 |
| | MXC8282 | HINGE-LOWER-RH | 2510-99-824-8458 | | | | | | | | | 2 |
| 4 | MRC1980 | WASHER-NYLON | 2510-99-829-7487 | | | | | | | | | 8 |
| 5 | NH605041L | NUT | 5310-66-128-4505 | | | | | | | | | 8 |
| 6 | MWC1639 | PANEL-WATERDAM-LH | | | | | | | | | | 1 |
| | MWC1638 | PANEL-WATERDAM-RH | | | | | | | | | | 1 |
| | FS106101L | SCREW-WATERDAM PANEL TO REAR SIDE DOOR | 5305-99-122-8665 | | | | | | | | | 2 |
| | WA106041L | WASHER-PLAIN | 5310-66-098-4440 | | | | | | | | | 2 |
| 7 | MUC3394 | SCREW | 5305-66-128-5246 | | | | | | | | | 2 |
| 8 | MUC1961 | BOLT PLATE | | | | | | | | | | 2 |
| 9 | MUC6159 | BAR-TORSION-LH | | | | | | | | | | 1 |
| | MUC6158 | BAR-TORSION-RH | | | | | | | | | | 1 |
| 10 | MUC6291 | BUFFER-RUBBER | 5340-66-128-5178 | | | | | | | | | 2 |
| 11 | MWC6450 | BRACKET-PIVOT | | | | | | | | | | 2 |
| 12 | MWC5742 | LINK-CHECKSTRAP-LH | 2540-66-128-5145 | | | | | | | | | 1 |
| | MWC5742 | LINK-CHECKSTRAP-RH | 2540-66-128-5144 | | | | | | | | | 1 |
| 13 | WA106041L | WASHER-PLAIN | 5310-66-098-4440 | | | | | | | | | 8 |
| 14 | NH106041L | NUT | 5310-66-098-4401 | | | | | | | | | 4 |
| 15 | NY106041L | NUT-NYLOC | 5310-99-138-8423 | | | | | | | | | 2 |
| 16 | MRC4754 | BRACKET-CHECKLINK-LH | | | | | | | | | | 1 |
| | MRC4753 | BRACKET-CHECKLINK-RH | | | | | | | | | | 1 |
| 17 | FS108201 | SCREW | 5305-99-122-5366 | | | | | | | | | 4 |
| 18 | NY108041L | NUT-NYLOC | 5310-99-122-5496 | | | | | | | | | 4 |
| | MYH3634 | THREAD PLATE-HINGE TO DOOR FRAME | | | | | | | | | | 4 |

CHANGE POINT

ARN INTRODUCTION

Apr 1995

GROUP SCB



**REAR SIDE DOOR WINDOW GLASS
AND WIND-UP MECHANISM – CREW CAB ONLY**

PERENTIE LAND ROVER PARTS LIST

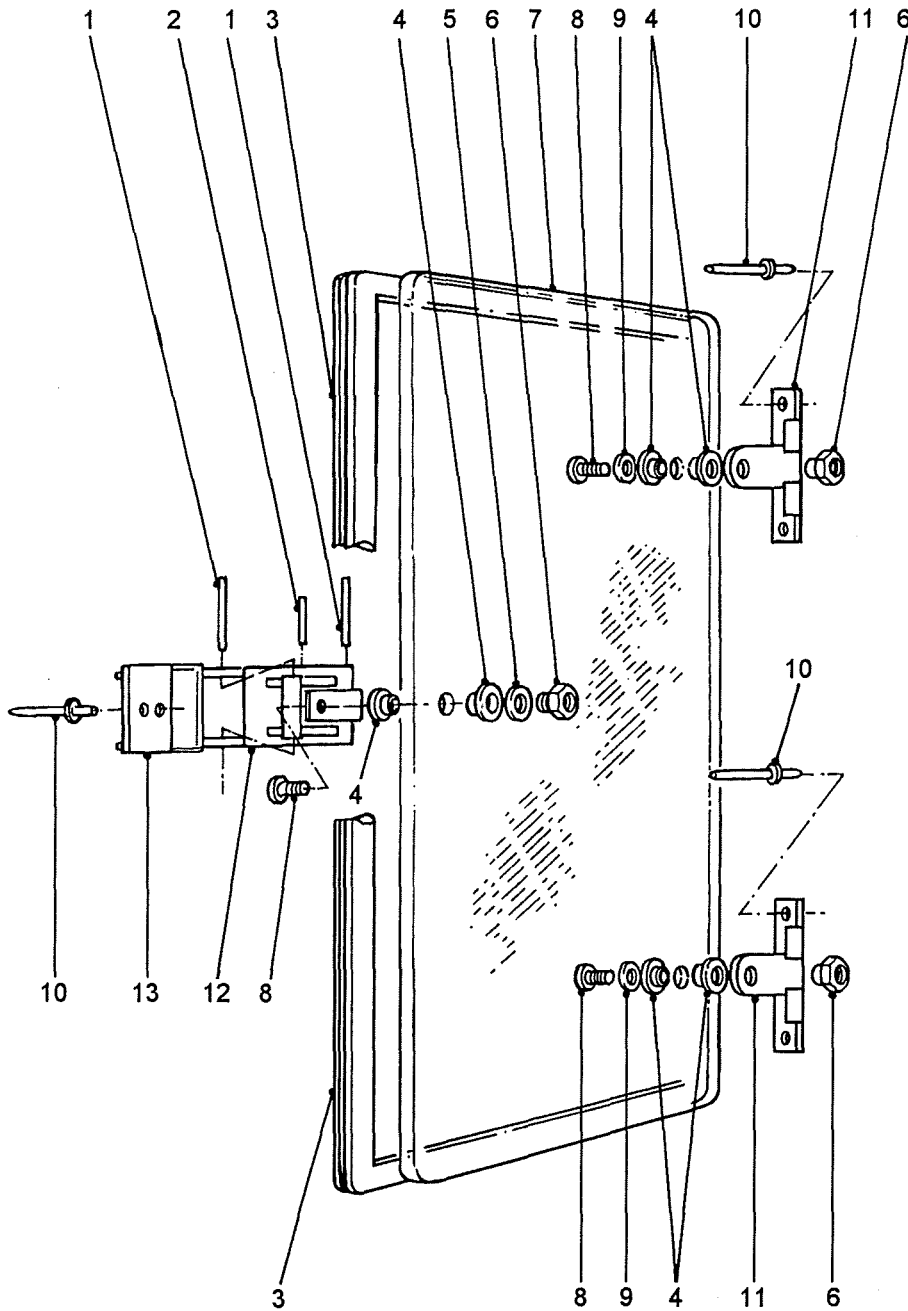
SCB /1/1 REAR SIDE DOOR WINDOW GLASS AND WIND - UP MECHANISM - CREW CAB ONLY
DERIVATIVE CODE

| <u>ITEM</u> | <u>PART NO.</u> | <u>DESCRIPTION</u> | <u>NSN</u> | <u>2185</u> | <u>2186</u> | <u>2208</u> | <u>2209</u> | <u>2210</u> | <u>2211</u> | <u>2212</u> | <u>2219</u> | <u>CP</u> |
|-------------|-----------------|-----------------------------------|------------------|-------------|-------------|-------------|-------------|-------------|-------------|-------------|-------------|-----------|
| 1 | MUC4073 | SHIM-ADJUSTMENT | | | | | | | | | | 6 |
| 2 | MXC5837 | CHANNEL | | | | | | | | | | 2 |
| 3 | MXC5833 | CHANNEL-TOP | | | | | | | | | | 2 |
| 4 | MXC5834 | CHANNEL | | | | | | | | | | 2 |
| 5 | MUC3492 | CHANNEL-RH | | | | | | | | | | 1 |
| 5 | MUC3493 | CHANNEL-LH | | | | | | | | | | 1 |
| 6 | MXC5830 | CHANNEL | | | | | | | | | | 2 |
| 7 | MXC5835 | CHANNEL-TOP | | | | | | | | | | 2 |
| 8 | MWC4724 | GLASS-REAR QUARTER | | | | | | | | | | 2 |
| 9 | SH104101 | SCREW | 5305-99-138-4827 | | | | | | | | | 4 |
| 10 | WA104001L | WASHER-PLAIN | 5310-99-122-3031 | | | | | | | | | 4 |
| 11 | MWC1627 | BRACKET-REAR QUARTER RETENTION | | | | | | | | | | 2 |
| 12 | WE104001L | WASHER-LOCK | 5310-66-128-5172 | | | | | | | | | 4 |
| 13 | NH104041L | NUT | 5310-66-128-4720 | | | | | | | | | 4 |
| 14 | MWC4722 | GLASS-DOOR-REAR-SIDE | | | | | | | | | | 2 |
| 15 | MTC8478 | CHANNEL-WINDOW | | | | | | | | | | 2 |
| 16 | MUC3026 | REGULATOR-RH | 2540-66-128-5146 | | | | | | | | | 1 |
| 16 | MUC3027 | REGULATOR-LH | 2540-66-128-5147 | | | | | | | | | 1 |
| 17 | ADU5727L | SCREW | 5305-99-769-4643 | | | | | | | | | 2 |
| 18 | RTC3940PA | COVER-HANDLE | 2540-99-769-4641 | | | | | | | | | 2 |
| 19 | RTC3939PA | HANDLE-REGULATOR | 2540-99-769-4640 | | | | | | | | | 2 |
| 20 | JPC9023PMA | ESCUTCHEON | | | | | | | | | | 2 |
| 21 | SH106101L | SCREW | 5305-99-122-8665 | | | | | | | | | 8 |
| 22 | WL106001L | WASHER-LOCK | 5310-99-137-9232 | | | | | | | | | 8 |
| 23 | WA106041L | WASHER-PLAIN | 5310-66-098-4440 | | | | | | | | | 8 |
| 24 | AC606031L | SCREW | 5305-66-128-5091 | | | | | | | | | 4 |
| | AC606041L | SCREW | 5305-99-135-7506 | | | | | | | | | 12 |
| 25 | MWC4764 | RUBBER-GLAZING | | | | | | | | | | 2 |

CHANGE POINT

ARN INTRODUCTION

Oct 1995

GROUP SCC

**REAR QUARTER WINDOW
- EXCEPT LRPV**

PERENTIE LAND ROVER PARTS LIST

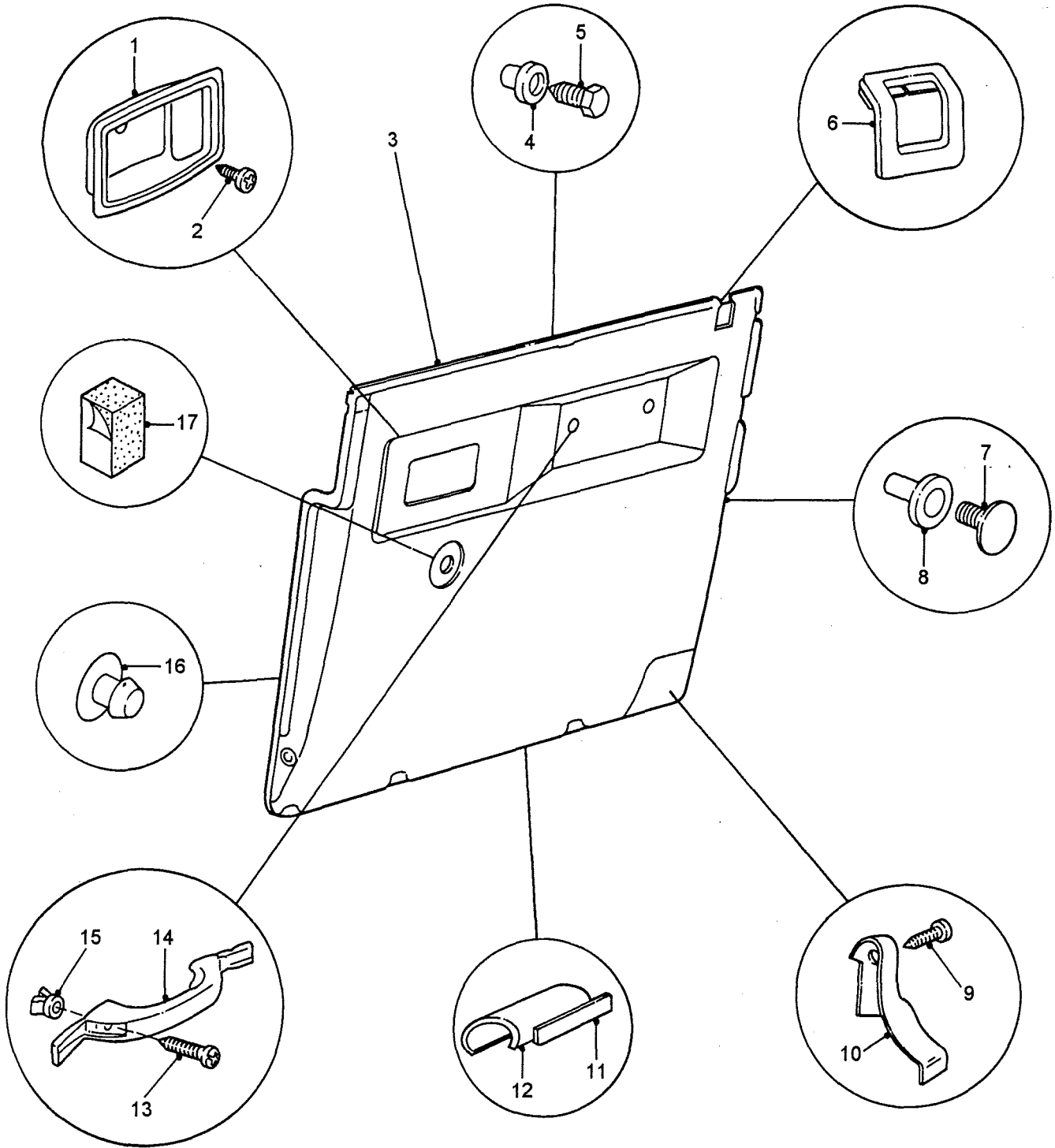
SCC /1/1 REAR QUARTER WINDOW - EXCEPT LRPV

| ITEM | PART NO. | DESCRIPTION | NSN | DERIVATIVE CODE | | | | | | | CP |
|------|--------------|----------------------|------------------|-----------------|------|------|------|------|------|------|----|
| | | | | 2185 | 2186 | 2208 | 2209 | 2210 | 2211 | 2212 | |
| 1 | PA106251 | ROLL PIN | | 4 | 4 | 4 | 4 | 4 | | 4 | 4 |
| 2 | PA106201 | ROLL PIN | 5315-99-120-8129 | 2 | 2 | 2 | 2 | 2 | | 2 | 2 |
| 3 | MYH5317/1135 | SEAL-WINDOW | 5330-66-128-4649 | 2 | 2 | 2 | 2 | 2 | | 2 | 2 |
| 4 | HYG2848 | WASHER | 5310-66-128-5805 | 12 | 12 | 12 | 12 | 12 | | 12 | 12 |
| 5 | MYH3324 | WASHER | 5310-66-128-5806 | 2 | 2 | 2 | 2 | 2 | | 2 | 2 |
| 6 | HYG3020 | NUT-WINDOW | 5310-66-128-5807 | 6 | 6 | 6 | 6 | 6 | | 6 | 6 |
| 7 | HYG3009 | GLASS-REAR-5MM THICK | 2510-66-128-5808 | 2 | 2 | 2 | 2 | 2 | | 2 | |
| | MWC4724 | GLASS-REAR-4MM THICK | | | | | | | | | 2 |
| 8 | SE106104 | SCREW | 5305-99-135-0438 | 6 | 6 | 6 | 6 | 6 | | 6 | 6 |
| 9 | MRC5525 | WASHER-PLAIN | 5310-66-098-4440 | 4 | 4 | 4 | 4 | 4 | | 4 | 4 |
| 10 | R78248 | POP RIVET | 5320-99-970-3518 | 12 | 12 | 12 | 12 | 12 | | 12 | 12 |
| 11 | HYG2836 | HINGE-WINDOW | 5340-66-128-5809 | 4 | 4 | 4 | 4 | 4 | | 4 | 4 |
| 12 | HYG2838 | CATCH-WINDOW | 2540-66-128-5810 | 2 | 2 | 2 | 2 | 2 | | 2 | 2 |
| 13 | HYG3708 | BRACKET-WINDOW | | 2 | 2 | 2 | 2 | 2 | | 2 | 2 |
| | HYG3720 | SPACER-CATCH | | 2 | 2 | 2 | 2 | 2 | | 2 | 2 |
| | MYH5328/50 | SEAL-RUBBER | 5330-66-128-5804 | 2 | 2 | 2 | 2 | 2 | | 2 | 2 |

CHANGE POINT

ARN INTRODUCTION

GROUP SE/1



FRONT DOOR TRIM AND INTERIOR FITTINGS

ITEMS 22 AND 9004

DOOR TRIMS - FRONT:

MWC 6248 LCS, MWC 6249 LCS BOTH S/S:
 MXC 1858 LCS, MYC 1859 LCS - WHICH USE MODIFIED
 FININGS AS SHOWN BELOW

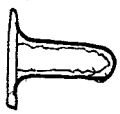
ORIGINAL TYPE



MWC 1474
 ORIGINAL

↓
 FITS
 INTO

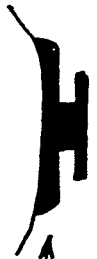
MWC 3136



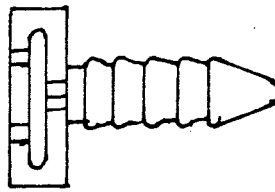
↓
 FITS
 INTO
 DOOR
 SHELL

LATER TYPE

RETAINER - MOULDED INTO
 DOOR TRIM



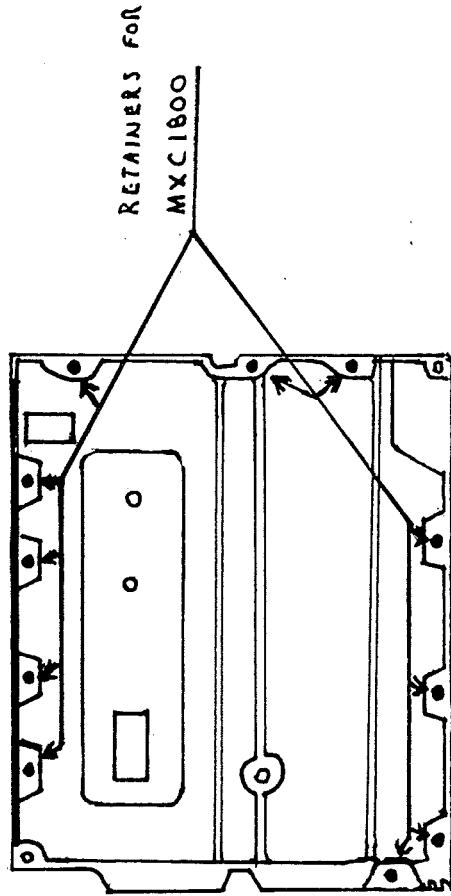
↓
 FITS INTO
 HEAD OF
 MXC 1800



11 REQUIRED
 PER DOOR

MXC 1800
 MODIFIED TYPE

↓
 FITS
 INTO
 DOOR
 SHELL



PERENTIE LAND ROVER PARTS LIST

SE /1/1 FRONT DOOR TRIM AND INTERIOR FITTINGS

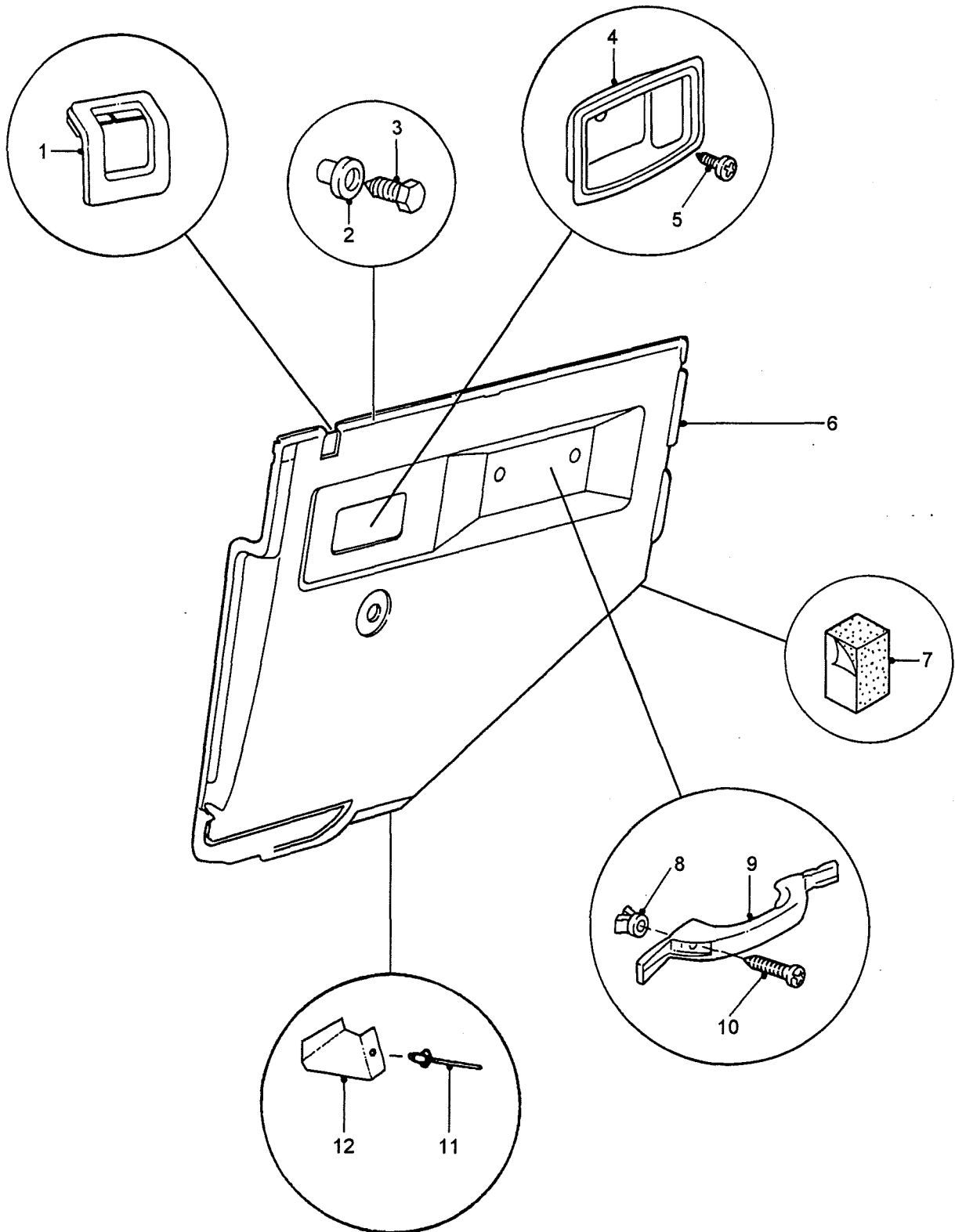
DERIVATIVE CODE

| ITEM | PART NO. | DESCRIPTION | NSN | DERIVATIVE CODE | | | | | | | |
|------|------------|----------------------------|------------------|-----------------|------|------|------|------|------|------|------|
| | | | | 2185 | 2186 | 2208 | 2209 | 2210 | 2211 | 2212 | 2219 |
| 1 | DBP6532PMA | ESCUTCHEON-RH | | 1 | 1 | 1 | 1 | 1 | | 1 | 1 |
| | DBP6533PMA | ESCUTCHEON-LH | | 1 | 1 | 1 | 1 | 1 | | 1 | 1 |
| 2 | DA608044L | SCREW | 5305-66-128-5094 | 2 | 2 | 2 | 2 | 2 | | 2 | 2 |
| 3 | MXC1858LCS | TRIM-DOOR-FRONT-RH | | 1 | 1 | 1 | 1 | 1 | | 1 | 1 |
| | MXC1859LCS | TRIM-DOOR-FRONT-LH | | 1 | 1 | 1 | 1 | 1 | | 1 | 1 |
| 4 | MWC3136 | CLIP-DOOR TRIM | 5310-66-128-5270 | 24 | 24 | 24 | 24 | 24 | | 24 | 24 |
| 5 | MXC1800 | FASTENER | | 24 | 24 | 24 | 24 | 24 | | 24 | 24 |
| 6 | MXC4738PMA | ESCUTCHEON -SILL BUTTON | | 2 | 2 | 2 | 2 | 2 | | 2 | 2 |
| 7 | MWC9918LCS | FASTENER-TRIM | 5307-66-128-5375 | 4 | 4 | 4 | 4 | 4 | | 4 | 4 |
| 8 | MWC9917 | RETAINER STUD-TRIM | 5340-66-128-5367 | 4 | 4 | 4 | 4 | 4 | | 4 | 4 |
| 9 | AB608065 | SCREW | 5305-66-128-4575 | 2 | 2 | 2 | 2 | 2 | | 2 | 2 |
| 10 | MUC3036 | COVER-CHECKLINK-RH | | 1 | 1 | 1 | 1 | 1 | | 1 | 1 |
| | MUC3037 | COVER-CHECKLINK-LH | | 1 | 1 | 1 | 1 | 1 | | 1 | 1 |
| 11 | NSS | | | | | | | | | | |
| 12 | MWC6490 | SHEDDER-WATER | | 2 | 2 | 2 | 2 | 2 | | 2 | 2 |
| 13 | AB610081L | SCREW | 5305-99-977-3264 | 4 | 4 | 4 | 4 | 4 | | 4 | 4 |
| 14 | YGA451L | HANDLE-DOOR PULL | 5340-66-128-4654 | 2 | 2 | 2 | 2 | 2 | | 2 | 2 |
| 15 | RTC3748 | LOKUT NUT | 2510-66-110-8984 | 4 | 4 | 4 | 4 | 4 | | 4 | 4 |
| 16 | R307220 | GROMMET | | 2 | 2 | 2 | 2 | 2 | | 2 | 2 |
| 17 | MWC3137 | SPACER-FOAM | 5330-66-128-5264 | 4 | 4 | 4 | 4 | 4 | | 4 | 4 |

CHANGE POINT

ARN INTRODUCTION

GROUP SE/2



REAR DOOR TRIM AND INTERIOR FITTINGS - CREW CAB ONLY

PERENTIE LAND ROVER PARTS LIST

SE /2/1

REAR DOOR TRIM AND INTERIOR FITTINGS - CREW CAB ONLY

DERIVATIVE CODE

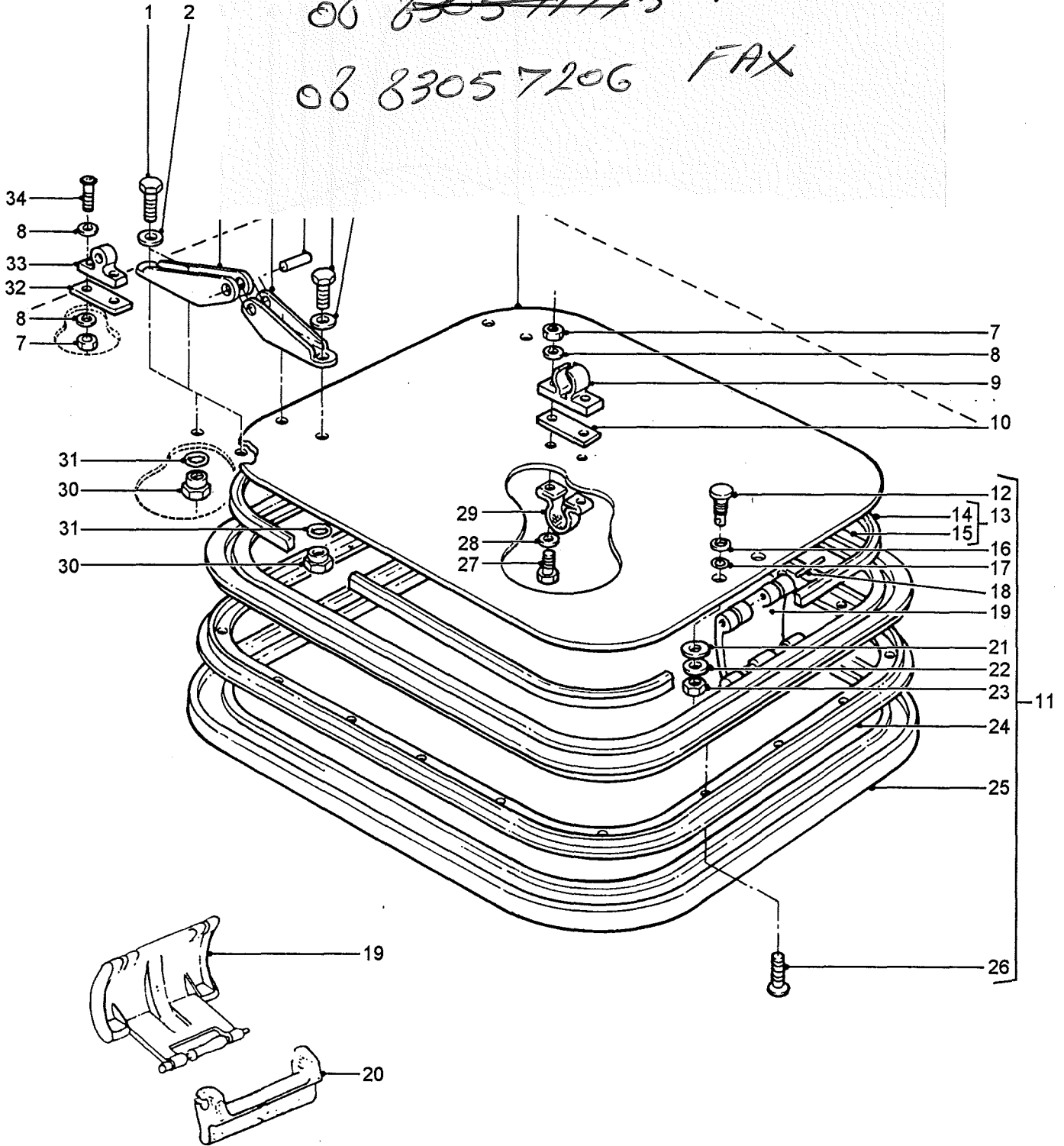
| <u>ITEM</u> | <u>PART NO.</u> | <u>DESCRIPTION</u> | <u>NSN</u> | <u>2185</u> | <u>2186</u> | <u>2208</u> | <u>2209</u> | <u>2210</u> | <u>2211</u> | <u>2212</u> | <u>2219</u> | <u>CP</u> |
|-------------|-----------------|----------------------------|------------------|-------------|-------------|-------------|-------------|-------------|-------------|-------------|-------------|-----------|
| 1 | MXC4738PMA | ESCUTCHEON -SILL BUTTON | | | | | | | | | | 2 |
| 2 | MWC3136 | CLIP-DOOR TRIM | 5310-66-128-5270 | | | | | | | | | 24 |
| 3 | MXC1800 | FASTENER | | | | | | | | | | 24 |
| 4 | DBP6532PMA | ESCUTCHEON-RH | | | | | | | | | | 1 |
| | DBP6533PMA | ESCUTCHEON-LH | | | | | | | | | | 1 |
| 5 | DA608044L | SCREW | 5305-66-128-5094 | | | | | | | | | 2 |
| 6 | MXC1860LCS | TRIM-DOOR-REAR-RH | | | | | | | | | | 1 |
| | MXC1861LCS | TRIM-DOOR-REAR-LH | | | | | | | | | | 1 |
| 7 | MWC3137 | SPACER-FOAM | 5330-66-128-5264 | | | | | | | | | 2 |
| 8 | RTC3748 | LOKUT NUT | 2510-66-110-8984 | | | | | | | | | 4 |
| 9 | YGA451L | HANDLE-DOOR PULL | 5340-66-128-4654 | | | | | | | | | 2 |
| 10 | AB610081L | SCREW | 5305-99-977-3264 | | | | | | | | | 4 |
| 11 | R78248 | POP RIVET | 5320-99-970-3518 | | | | | | | | | 2 |
| 12 | HYG2912 | PLATE-WATER SHEDDER -RH | | | | | | | | | | 1 |
| | HYG2911 | PLATE-WATER SHEDDER -LH | | | | | | | | | | 1 |

CHANGE POINT

ARN INTRODUCTION

GROUP

GREG POPK PHONE NO
 J&US 08 83057175
 08 ~~830571775~~ PHONE
 08 83057206 FAX

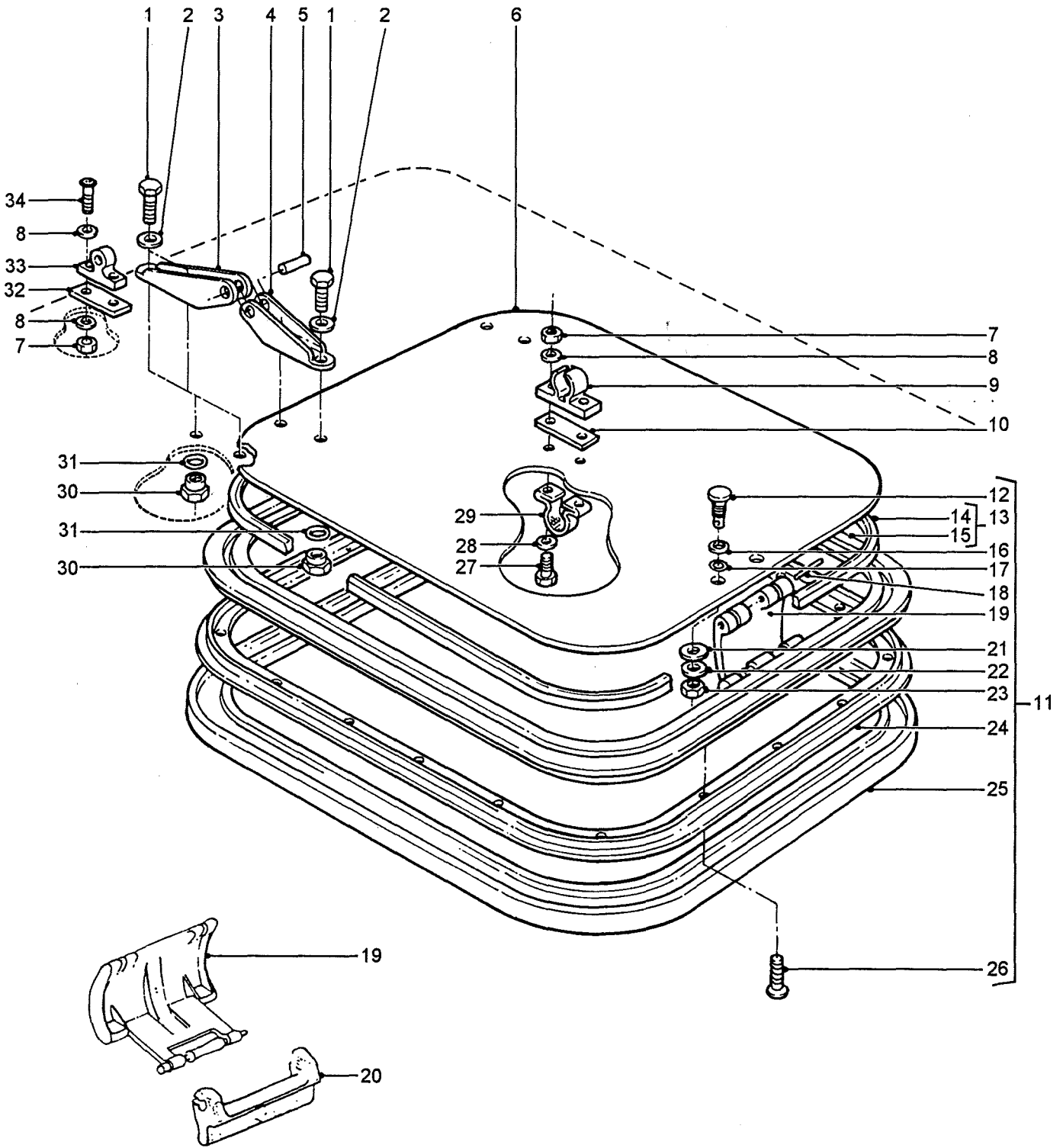


ROOF HATCH

PERENTIE LAND ROVER PARTS LIST

| ITEM | PART NO. | DESCRIPTION | NSN | DERIVATIVE CODE | | | | | | | |
|------|-----------|--|------------------|-----------------|------|------|------|------|------|------|------|
| | | | | 2185 | 2186 | 2208 | 2209 | 2210 | 2211 | 2212 | 2219 |
| 1 | FS108201 | SCREW | 5305-99-122-5366 | 8 | 8 | 8 | 8 | 8 | | 8 | 8 |
| 2 | WL108001L | WASHER-LOCK | 5310-99-138-9227 | 8 | 8 | 8 | 8 | 8 | | 8 | 8 |
| 3 | HYG3440 | HINGE-ROOF PANEL | | 2 | 2 | 2 | 2 | 2 | | 2 | 2 |
| 4 | HYG3441 | HINGE-HATCH | | 2 | 2 | 2 | 2 | 2 | | 2 | 2 |
| 5 | PA116551 | ROLL PIN | | 2 | 2 | 2 | 2 | 2 | | 2 | 2 |
| 6 | HYG3448 | HATCH ASSY-ROOF | 2510-66-128-5788 | 1 | 1 | 1 | 1 | 1 | | 1 | 1 |
| 7 | NY105041L | NUT-NYLOC | 5310-99-122-5494 | 4 | 4 | 4 | 4 | 4 | | 4 | 4 |
| 8 | WA105001L | WASHER-PLAIN | 5310-99-122-3032 | 6 | 6 | 6 | 6 | 6 | | 6 | 6 |
| 9 | MYH3386 | CLIP-SPRING TENSION | 5340-66-128-5508 | 1 | 1 | 1 | 1 | 1 | | 1 | 1 |
| 10 | HYG3460 | SEAL-CATCH TO HATCH | | 1 | 1 | 1 | 1 | 1 | | 1 | 1 |
| 11 | HYG3447 | KIT-FRAME & CATCH (INCLUDES ITEMS 12 TO 16 AND 18 TO 26) | <i>NLA!</i> | 1 | 1 | 1 | 1 | 1 | | 1 | 1 |
| 12 | HYL9000 | SCREW (INCL. ITEM 17) | 5305-66-128-5820 | 2 | 2 | 2 | 2 | 2 | | 2 | 2 |
| 13 | NSS | | | | | | | | | | |
| 14 | HYL9002 | SEAL-UPPER FRAME TO ROOF HATCH | 5330-66-128-5821 | 1 | 1 | 1 | 1 | 1 | | 1 | 1 |
| 15 | NSS | | | | | | | | | | |
| 16 | HYM574 | KIT-SEAL AND SCREWS | | 1 | 1 | 1 | 1 | 1 | | 1 | 1 |
| 17 | HYL9001 | WASHER-FIBRE | | 2 | 2 | 2 | 2 | 2 | | 2 | 2 |
| 18 | NSS | (PART OF ITEM 12) | | | | | | | | | |
| 19 | NSS | (PART OF ITEM 19) | | | | | | | | | |
| 19 | HYL8997 | CATCH-LOCKING-HATCH (INCL. ITEM 18) | 5340-66-128-5944 | 1 | 1 | 1 | 1 | 1 | | 1 | 1 |
| 20 | HYM364 | BRACKET-LOCKING CATCH | | 1 | 1 | 1 | 1 | 1 | | 1 | 1 |
| 21 | HYL8999 | WASHER-PLASTIC | | 2 | 2 | 2 | 2 | 2 | | 2 | 2 |
| 22 | HYL8998 | WASHER-BELLEVILLE | | 2 | 2 | 2 | 2 | 2 | | 2 | 2 |
| 23 | HYL9004 | NUT | | 2 | 2 | 2 | 2 | 2 | | 2 | 2 |
| 24 | NSS | | | | | | | | | | |
| 25 | HYL9003 | TRIM-LOWER FRAME | | 1 | 1 | 1 | 1 | 1 | | 1 | 1 |

GROUP SF



ROOF HATCH

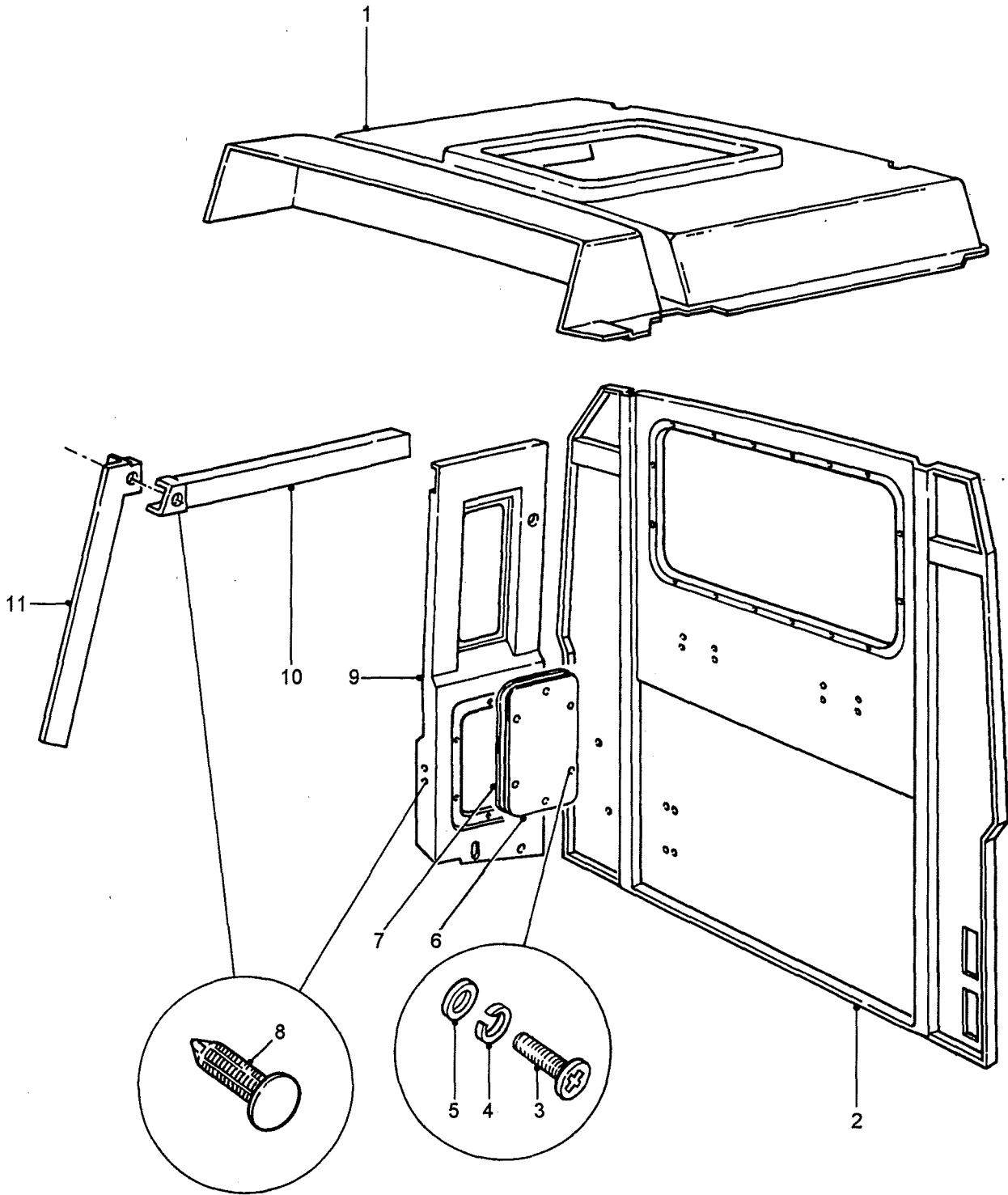
PERENTIE LAND ROVER PARTS LIST

| <u>ITEM</u> | <u>PART NO.</u> | <u>DESCRIPTION</u> | <u>NSN</u> | <u>DERIVATIVE CODE</u> | | | | | | | <u>CP</u> |
|-------------|-----------------|----------------------------------|------------------|------------------------|-------------|-------------|-------------|-------------|-------------|-------------|-----------|
| | | | | <u>2185</u> | <u>2186</u> | <u>2208</u> | <u>2209</u> | <u>2210</u> | <u>2211</u> | <u>2212</u> | |
| 26 | AB608041 | SCREW | | 18 | 18 | 18 | 18 | 18 | | 18 | 18 |
| 27 | SH105301 | SCREW | | 2 | 2 | 2 | 2 | 2 | | 2 | 2 |
| 28 | WC105001L | WASHER-PLAIN | 5310-99-122-3032 | 2 | 2 | 2 | 2 | 2 | | 2 | 2 |
| 29 | AYG9812 | HANDLE-STRAP | 5340-66-128-5349 | 1 | 1 | 1 | 1 | 1 | | 1 | 1 |
| 30 | HYG2893 | NUT-SLEEVE | 5310-66-128-5822 | 8 | 8 | 8 | 8 | 8 | | 8 | 8 |
| 31 | MYH3311 | 'O' RING | | 8 | 8 | 8 | 8 | 8 | | 8 | 8 |
| 32 | HYG3459 | SEAL-MALE CATCH TO ROOF PANEL | | 2 | 2 | 2 | 2 | 2 | | 2 | 2 |
| 33 | MYH3378 | CATCH-MALE-ROOF PANEL | | 2 | 2 | 2 | 2 | 2 | | 2 | 2 |
| 34 | E105251L | SCREW | | 2 | 2 | 2 | 2 | 2 | | 2 | 2 |

CHANGE POINT

ARN INTRODUCTION

GROUP SG/1



**CAB INTERIOR TRIM
- EXCEPT LRPV AND CREW CAB**

PERENTIE LAND ROVER PARTS LIST

SG /1/1 CAB INTERIOR TRIM - EXCEPT LRPV AND CREW CAB

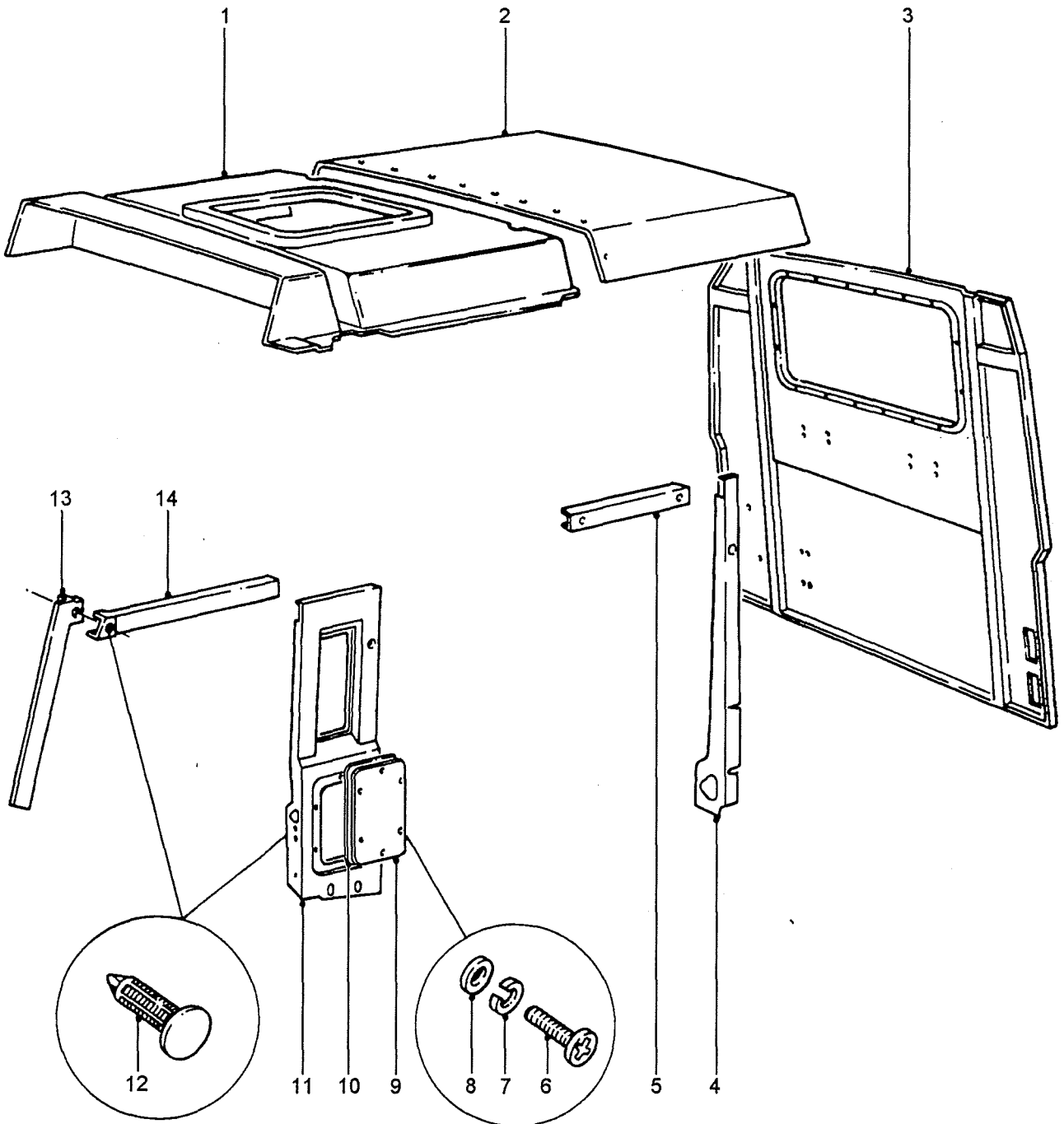
DERIVATIVE CODE

| <u>ITEM</u> | <u>PART NO.</u> | <u>DESCRIPTION</u> | <u>NSN</u> | <u>2185</u> | <u>2186</u> | <u>2208</u> | <u>2209</u> | <u>2210</u> | <u>2211</u> | <u>2212</u> | <u>2219</u> | <u>CP</u> |
|-------------|-----------------|-------------------------------|------------------|-------------|-------------|-------------|-------------|-------------|-------------|-------------|-------------|-----------|
| 1 | HYG3421 | PANEL-TRIM-ROOF | | 1 | 1 | 1 | 1 | 1 | | | 1 | |
| 2 | HYG3420 | PANEL-TRIM-CAB REAR | | 1 | 1 | 1 | 1 | 1 | | | 1 | |
| 3 | SE105161L | SCREW | 5305-99-135-0430 | 12 | 12 | 12 | 12 | 12 | | | 12 | |
| 4 | WL105004 | WASHER-LOCK | 5310-66-128-5784 | 12 | 12 | 12 | 12 | 12 | | | 12 | |
| 5 | WA105001L | WASHER-PLAIN | 5310-99-122-3032 | 12 | 12 | 12 | 12 | 12 | | | 12 | |
| 6 | HYG3621 | PLATE-COVER-B/C POST-LOWER | | 2 | 2 | 2 | 2 | 2 | | | 2 | |
| 7 | HYG3654 | GASKET-COVER PLATE | 5330-66-128-5783 | 2 | 2 | 2 | 2 | 2 | | | 2 | |
| 8 | MWC9832LUH | CLIP-TRIM | | 4 | 4 | 4 | 4 | 4 | | | 4 | |
| 9 | HYG4058 | PANEL-TRIM-SIDE-RH | | 1 | 1 | 1 | 1 | 1 | | | 1 | |
| | HYG4059 | PANEL-TRIM SIDE-LH | | 1 | 1 | 1 | 1 | 1 | | | 1 | |
| 10 | HYG3424 | TRIM-DOOR-HEADER-RH | | 1 | 1 | 1 | 1 | 1 | | | 1 | |
| | HYG3425 | TRIM-DOOR HEADER-LH | | 1 | 1 | 1 | 1 | 1 | | | 1 | |
| 11 | HYG3426 | TRIM-A POST-RH | | 1 | 1 | 1 | 1 | 1 | | | 1 | |
| | HYG3427 | TRIM-A POST-LH | | 1 | 1 | 1 | 1 | 1 | | | 1 | |

CHANGE POINT

ARN INTRODUCTION

GROUP SG/2



**CAB INTERIOR TRIM
- CREW CAB ONLY**

PERENTIE LAND ROVER PARTS LIST

SG /2/1 CAB INTERIOR TRIM - CREW CAB ONLY

DERIVATIVE CODE

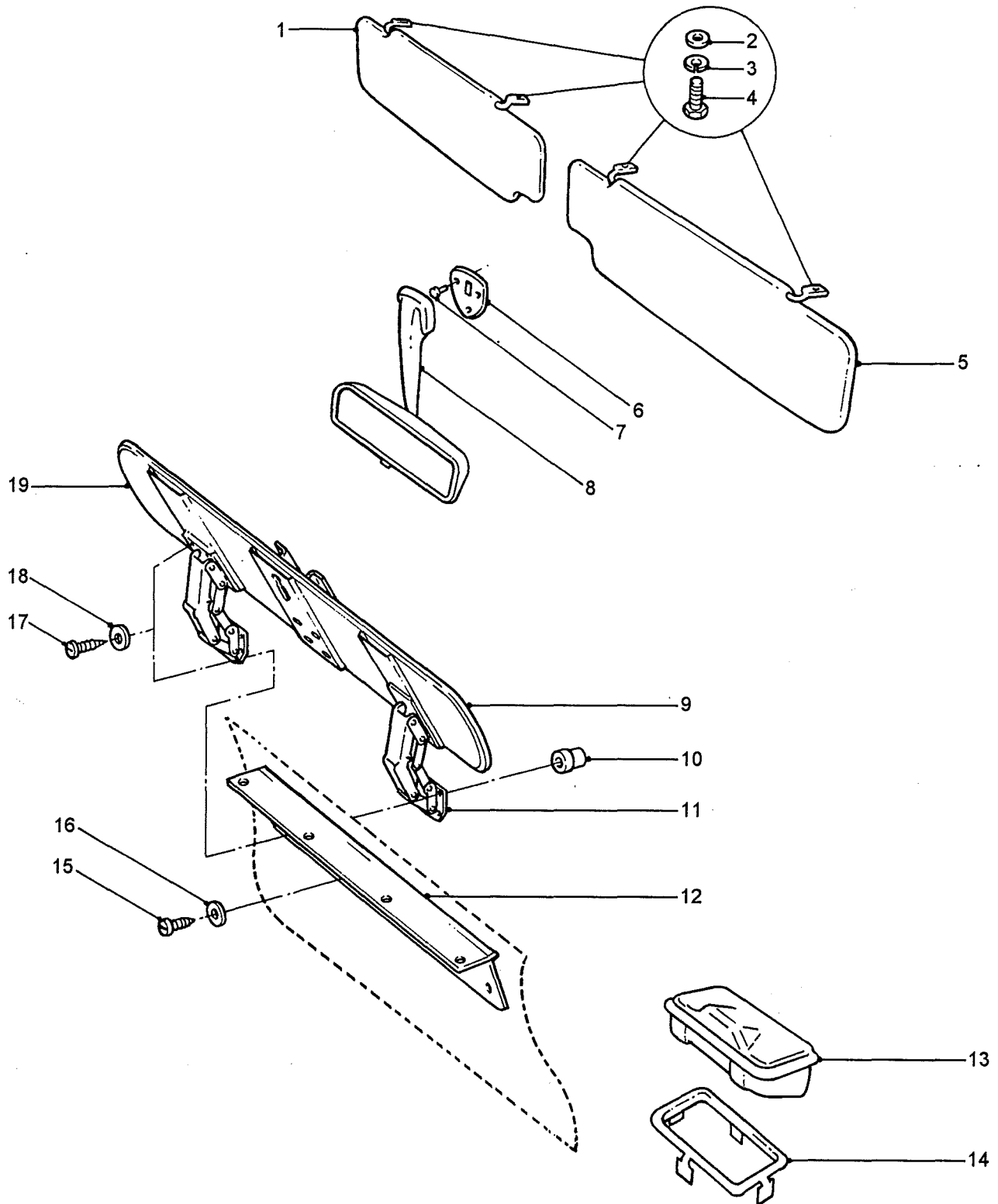
| <u>ITEM</u> | <u>PART NO.</u> | <u>DESCRIPTION</u> | <u>NSN</u> | <u>DERIVATIVE CODE</u> | | | | | | | | | | | |
|-------------|-----------------|------------------------------------|------------------|------------------------|-------------|-------------|-------------|-------------|-------------|-------------|-------------|-----------|--|--|----|
| | | | | <u>2185</u> | <u>2186</u> | <u>2208</u> | <u>2209</u> | <u>2210</u> | <u>2211</u> | <u>2212</u> | <u>2219</u> | <u>CP</u> | | | |
| 1 | HYG3421 | PANEL-TRIM-ROOF-FRONT | | | | | | | | | | | | | 1 |
| | HYG6109 | PAD-FOAM-FRONT ROOF PANEL-SIDE | | | | | | | | | | | | | 2 |
| 2 | HYG6017 | PANEL-TRIM-ROOF-REAR | | | | | | | | | | | | | 1 |
| | HYG6140 | PAD-FOAM-REAR ROOF PANEL | | | | | | | | | | | | | 2 |
| 3 | HYG6026 | PANEL-TRIM-CAB REAR | | | | | | | | | | | | | 1 |
| 4 | HYG6024 | PANEL-TRIM-D POST-RH | | | | | | | | | | | | | 1 |
| | HYG6025 | PANEL-TRIM-D POST-LH | | | | | | | | | | | | | 1 |
| 5 | HYG6022 | PANEL-TRIM-DOOR HEADER-REAR-RH | | | | | | | | | | | | | 1 |
| | HYG6023 | PANEL-TRIM-DOOR HEADER-REAR-LH | | | | | | | | | | | | | 1 |
| 6 | SE105161L | SCREW | 5305-99-135-0430 | | | | | | | | | | | | 12 |
| 7 | WL105004 | WASHER-LOCK | 5310-66-128-5784 | | | | | | | | | | | | 12 |
| 8 | WA105001L | WASHER-PLAIN | 5310-99-122-3032 | | | | | | | | | | | | 12 |
| 9 | HYG3621 | PLATE-COVER-B/C POST-LOWER | | | | | | | | | | | | | 2 |
| 10 | HYG3654 | GASKET-COVER PLATE | 5330-66-128-5783 | | | | | | | | | | | | 2 |
| 11 | HYG6020 | PANEL-TRIM-B/C POST-RH | | | | | | | | | | | | | 1 |
| | HYG6021 | PANEL-TRIM-B/C POST-LH | | | | | | | | | | | | | 1 |
| 12 | MWC9832LUH | CLIP-TRIM | | | | | | | | | | | | | 21 |
| 13 | HYG3426 | PANEL-TRIM-A POST-RH | | | | | | | | | | | | | 1 |
| | HYG3427 | PANEL-TRIM-A POST-LH | | | | | | | | | | | | | 1 |
| 14 | HYG3424 | PANEL-TRIM-DOOR HEADER-FRONT-RH | | | | | | | | | | | | | 1 |
| | HYG3425 | PANEL-TRIM-DOOR HEADER-FRONT-LH | | | | | | | | | | | | | 1 |

CHANGE POINT

ARN INTRODUCTION

Oct 1995

GROUP SGA



**SUN VISORS, MIRROR, ASHTRAY
AND GLOVE BOX LID**

PERENTIE LAND ROVER PARTS LIST

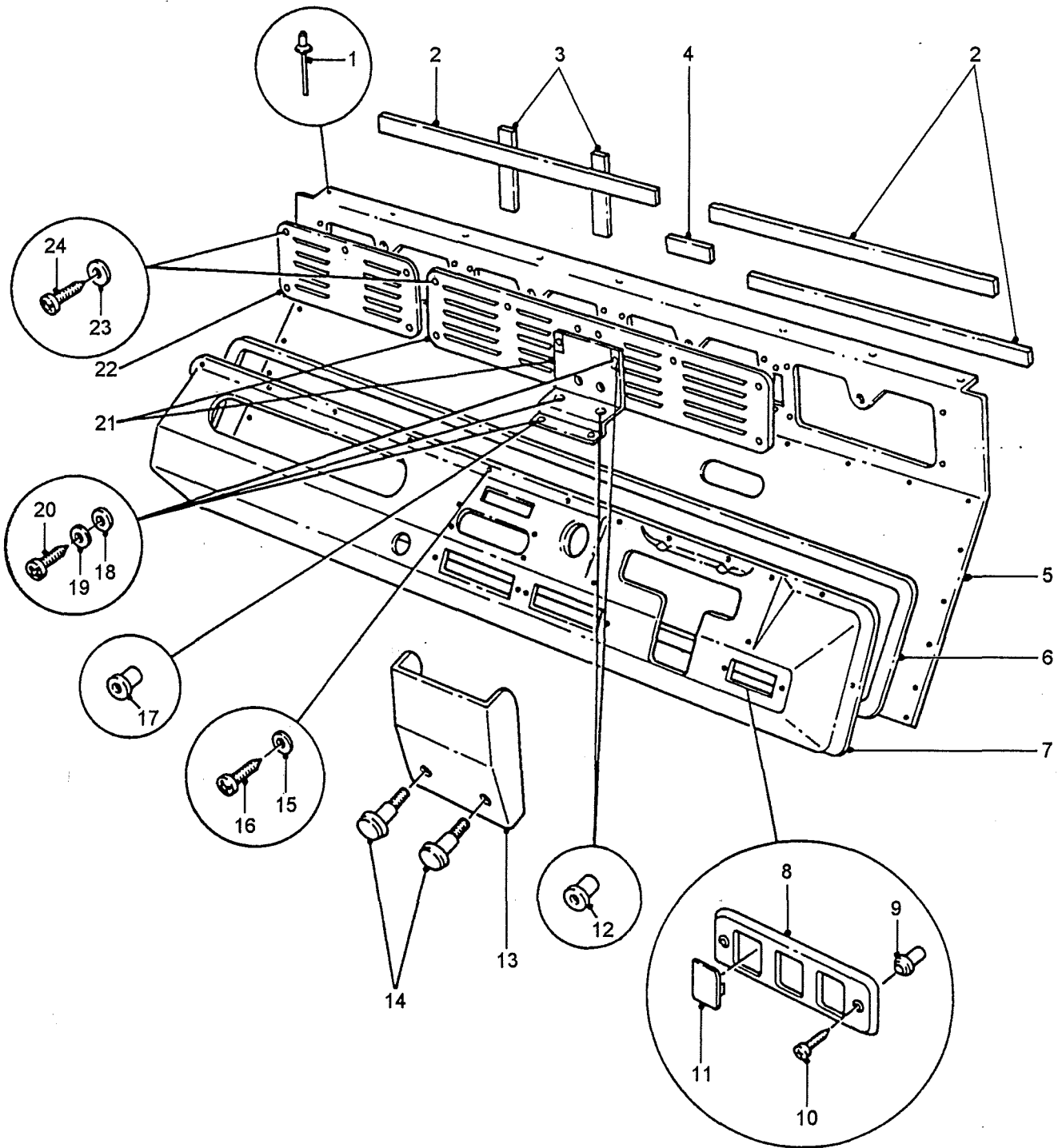
SGA /1/1 SUN VISORS, MIRROR, ASHTRAY AND GLOVE BOX LID

DERIVATIVE CODE

| <u>ITEM</u> | <u>PART NO.</u> | <u>DESCRIPTION</u> | <u>NSN</u> | <u>2185</u> | <u>2186</u> | <u>2208</u> | <u>2209</u> | <u>2210</u> | <u>2211</u> | <u>2212</u> | <u>2219</u> | <u>CP</u> |
|-------------|-----------------|--|------------------|-------------|-------------|-------------|-------------|-------------|-------------|-------------|-------------|-----------|
| 1 | MXC1395LUH | SUN VISOR-LH | 2540-66-128-5046 | 1 | 1 | 1 | 1 | 1 | 1 | 1 | 1 | |
| | MM106301 | RIVNUT-SUN VISORS TO WINDSCREEN FRAME | 5310-66-128-5543 | | | | | | 4 | | | |
| 2 | WA106041L | WASHER-PLAIN | 5310-66-098-4440 | 4 | 4 | 4 | 4 | 4 | 4 | 4 | 4 | |
| 3 | WL106001L | WASHER-LOCK | 5310-99-137-9232 | 4 | 4 | 4 | 4 | 4 | 4 | 4 | 4 | |
| 4 | SE106201L | SCREW | 5305-99-796-7536 | 4 | 4 | 4 | 4 | 4 | 4 | 4 | 4 | |
| 5 | MXC1394LUH | SUN VISOR-RH | 2540-66-128-5047 | 1 | 1 | 1 | 1 | 1 | 1 | 1 | 1 | |
| 6 | R372336 | BASE PLATE | | 1 | 1 | 1 | 1 | 1 | 1 | 1 | 1 | |
| 7 | SF104164 | SCREW | 5305-99-122-5279 | 3 | 3 | 3 | 3 | 3 | 3 | 3 | 3 | |
| 8 | MTC6376 | MIRROR-INTERIOR | 2540-99-721-4447 | 1 | 1 | 1 | 1 | 1 | 1 | 1 | 1 | |
| 9 | HYG2979 | DOOR ASSY-LOCKER | | 1 | 1 | 1 | 1 | 1 | | 1 | 1 | |
| 10 | MM106301 | RIVNUT-ANGLE DOOR FACIA MTG | 5310-66-128-5543 | 4 | 4 | 4 | 4 | 4 | | 4 | 4 | |
| 11 | HYG2987 | HINGE-DOOR | | 2 | 2 | 2 | 2 | 2 | | 2 | 2 | |
| 12 | HYG2988 | ANGLE-DOOR | | 1 | 1 | 1 | 1 | 1 | | 1 | 1 | |
| 13 | DZA5097L | ASH TRAY | 9920-66-128-4905 | 1 | 1 | 1 | 1 | 1 | 1 | 1 | 1 | |
| 14 | MUC1582 | RETAINER-ASH TRAY | 2540-66-128-4717 | 1 | 1 | 1 | 1 | 1 | 1 | 1 | 1 | |
| 15 | SE106204 | SCREW | 5305-66-128-5097 | 4 | 4 | 4 | 4 | 4 | | 4 | 4 | |
| 16 | WL106004L | WASHER-LOCK | 5310-99-135-4101 | 4 | 4 | 4 | 4 | 4 | | 4 | 4 | |
| 17 | EYP10008 | SCREW | | 16 | 16 | 16 | 16 | 16 | | 16 | 16 | |
| 18 | WA104001L | WASHER-PLAIN | 5310-99-122-3031 | 8 | 8 | 8 | 8 | 8 | | 8 | 8 | |
| 19 | HYG2985 | SEAL-DOOR-LOCKER | | 1 | 1 | 1 | 1 | 1 | | 1 | 1 | |
| | MM104301 | RIVNUT-ANGLE DOOR FACIA MTG | | 8 | 8 | 8 | 8 | 8 | | 8 | 8 | |
| | WA106044 | WASHER-PLAIN-LOCKER DOOR & ANGLE TO FACIA MOULDING | | 4 | 4 | 4 | 4 | 4 | | 4 | 4 | |
| | MYH3399 | BUTTON PLUG-DOOR-LOCKER | | 1 | 1 | 1 | 1 | 1 | | 1 | 1 | |

CHANGE POINT

ARN INTRODUCTION

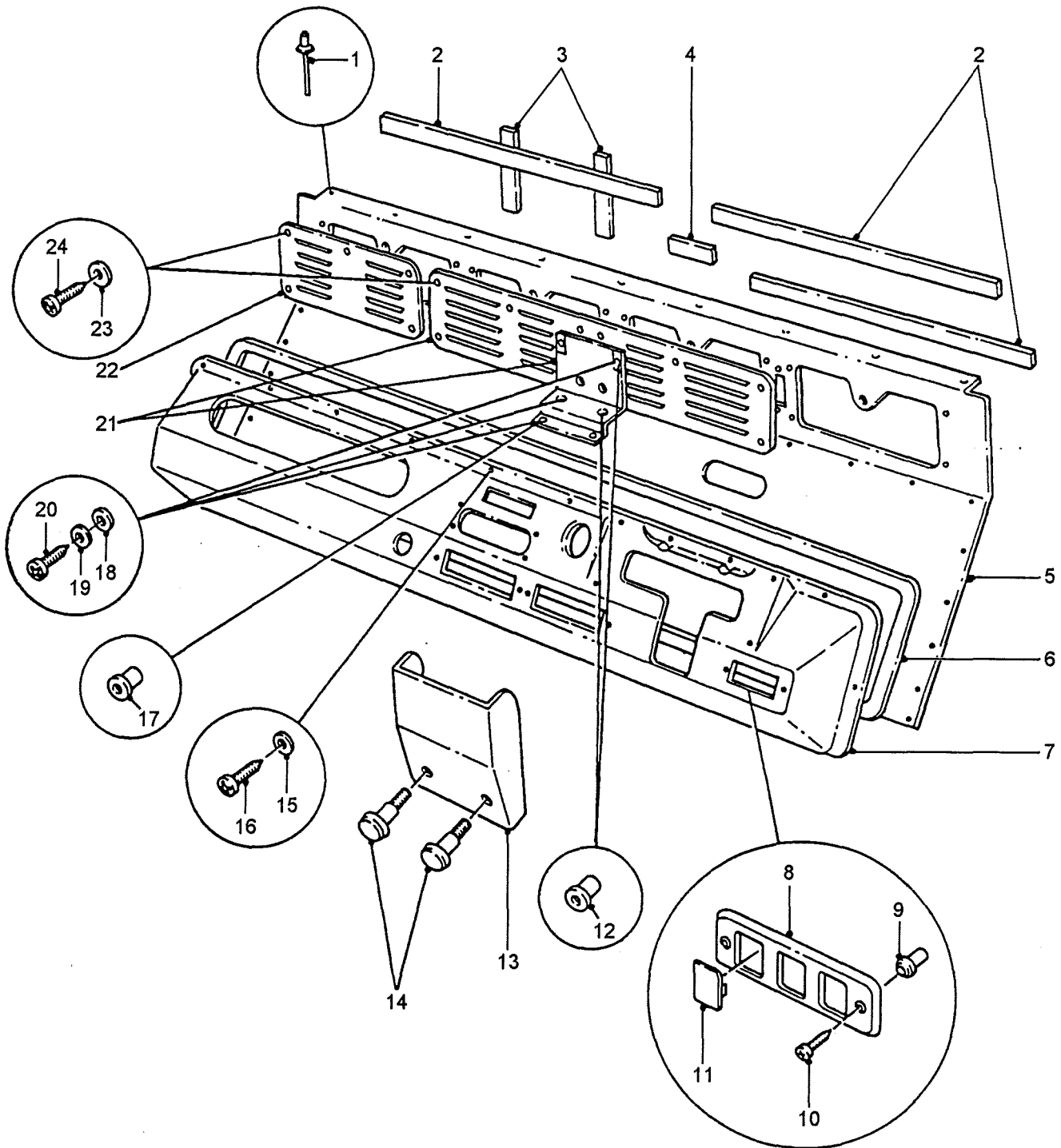
GROUP SGB/1

**DASH PANELS AND TRIM
- EXCEPT LRPV**

PERENTIE LAND ROVER PARTS LIST

SGB /1/1 DASH PANELS AND TRIM - EXCEPT LRPV

| ITEM | PART NO. | DESCRIPTION | NSN | DERIVATIVE CODE | | | | | | | |
|------|--------------|--|------------------|-----------------|------|------|------|------|------|------|---------|
| | | | | 2185 | 2186 | 2208 | 2209 | 2210 | 2211 | 2212 | 2219 CP |
| 1 | RU612183 | POP RIVET-DASH INNER PANEL TO CAB ASSY | 5320-66-128-4938 | 34 | 34 | 34 | 34 | 34 | | 34 | 34 |
| 2 | MYH5348/1620 | SEAL | | 3 | 3 | 3 | 3 | 3 | | 3 | 3 |
| 3 | MYH5348/200 | SEAL | | 2 | 2 | 2 | 2 | 2 | | 2 | 2 |
| 4 | MYH5348/120 | SEAL | | 2 | 2 | 2 | 2 | 2 | | 2 | 2 |
| | MYH5348/60 | SEAL-HEATER CHANNEL | | 1 | 1 | 1 | 1 | 1 | | 1 | 1 |
| 5 | HYG2730 | PANEL-DASH | | 1 | 1 | 1 | 1 | 1 | | 1 | 1 |
| 6 | MYH5348/3300 | SEAL | | 1 | 1 | 1 | 1 | 1 | | 1 | 1 |
| 7 | HYG2900 | MOULDING-FACIA | | 1 | 1 | 1 | 1 | 1 | | 1 | 1 |
| 8 | MTC2640 | PANEL-SWITCH | | 1 | 1 | 1 | 1 | 1 | | 1 | 1 |
| 9 | MP104400 | RIVNUT | 5310-66-128-5819 | 2 | 2 | 2 | 2 | 2 | | 2 | 2 |
| 10 | SF104164 | SCREW | 5305-99-225-5279 | 2 | 2 | 2 | 2 | 2 | | 2 | 2 |
| 11 | AAM222 | PLUG-BLANKING-SWITCH APETURES | | 1 | 1 | 1 | 1 | 1 | | 1 | 1 |
| 12 | MM106301 | RIVNUT | 5310-66-128-5543 | | | 4 | | | | | |
| 13 | BTR2307 | COVER-FUSEBOX | 2540-66-128-4728 | 1 | 1 | 1 | 1 | 1 | | 1 | 1 |
| 14 | MTC9968 | SCREW | 5305-66-128-4957 | 2 | 2 | 2 | 2 | 2 | | 2 | 2 |
| 15 | WA106044 | WASHER-PLAIN | | 15 | 15 | 15 | 15 | 15 | | 15 | 15 |
| | WL106004L | WASHER-LOCK | 5310-99-135-4101 | 15 | 15 | 15 | 15 | 15 | | 15 | 15 |
| 16 | SE106254 | SCREW | | 15 | 15 | 15 | 15 | 15 | | 15 | 15 |
| | M106301 | RIVNUT | 5310-66-128-5543 | 15 | 15 | 15 | 15 | 15 | | 15 | 15 |
| 17 | MM106301 | RIVNUT-DASH VENT PANEL TO FACIA MOULDING | 5310-66-128-5543 | | | 2 | | | | | |
| | WL106004L | WASHER-LOCK | 5310-99-135-4101 | | | 2 | | | | | |
| | SE106164 | SCREW | | | | 2 | | | | | |
| 18 | WJ106004 | WASHER-PLAIN -TELEPHONE SPEAKER TO DASH VENT PANEL | | | | 4 | | | | | |
| 19 | WL106004L | WASHER-LOCK | 5310-99-135-4101 | | | 4 | | | | | |
| 20 | SE106164 | SCREW | | | | 4 | | | | | |

GROUP SGB/1

**DASH PANELS AND TRIM
- EXCEPT LRPV**

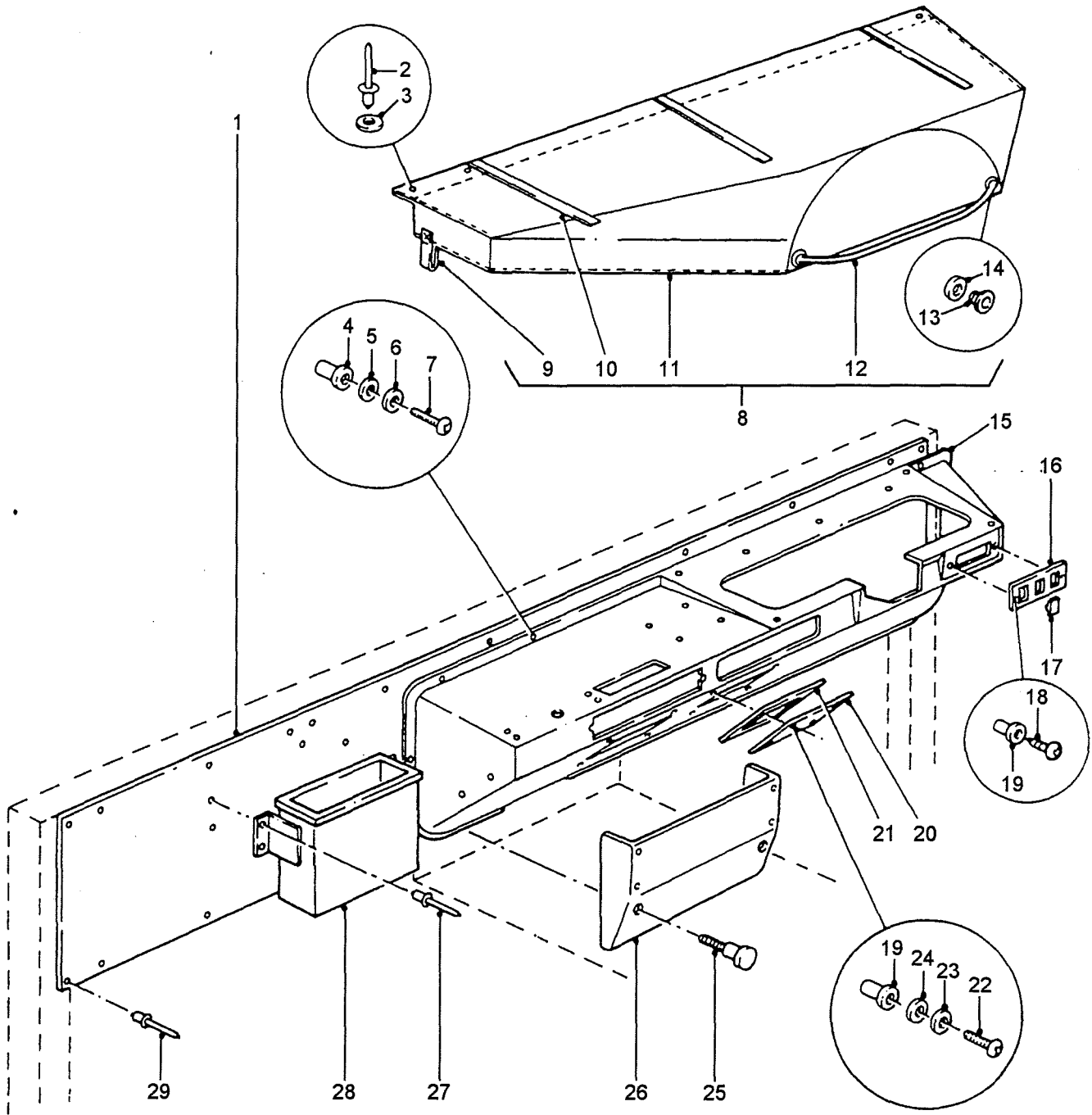
PERENTIE LAND ROVER PARTS LIST

SGB /1/1 DASH PANELS AND TRIM - EXCEPT LRPV

| <u>ITEM</u> | <u>PART NO.</u> | <u>DESCRIPTION</u> | <u>NSN</u> | <u>DERIVATIVE CODE</u> | | | | | | | | | | | | | | | | | | | | |
|-------------|-----------------|----------------------------|------------------|------------------------|-------------|-------------|-------------|-------------|-------------|-------------|-------------|-----------|--|--|--|--|--|--|--|--|--|--|--|--|
| | | | | <u>2185</u> | <u>2186</u> | <u>2208</u> | <u>2209</u> | <u>2210</u> | <u>2211</u> | <u>2212</u> | <u>2219</u> | <u>CP</u> | | | | | | | | | | | | |
| | NH106041L | NUT | 5310-66-098-4401 | | | | | | | | | | | | | | | | | | | | | |
| 21 | HYG3505 | PANEL-DASH VENT -CENTRE | | | | | | | | | | | | | | | | | | | | | | |
| 22 | HYG2806 | VENT-INTERIOR | | | | 4 | 4 | 2 | 4 | 4 | | | | | | | | | | | | | | |
| 23 | WL105004 | WASHER-LOCK | 5310-66-128-5784 | | | 20 | 20 | 20 | 20 | 20 | | | | | | | | | | | | | | |
| 24 | SE105161L | SCREW | 5305-99-135-0430 | | | 20 | 20 | 20 | 20 | 20 | | | | | | | | | | | | | | |

CHANGE POINT

ARN INTRODUCTION

GROUP SGB/2

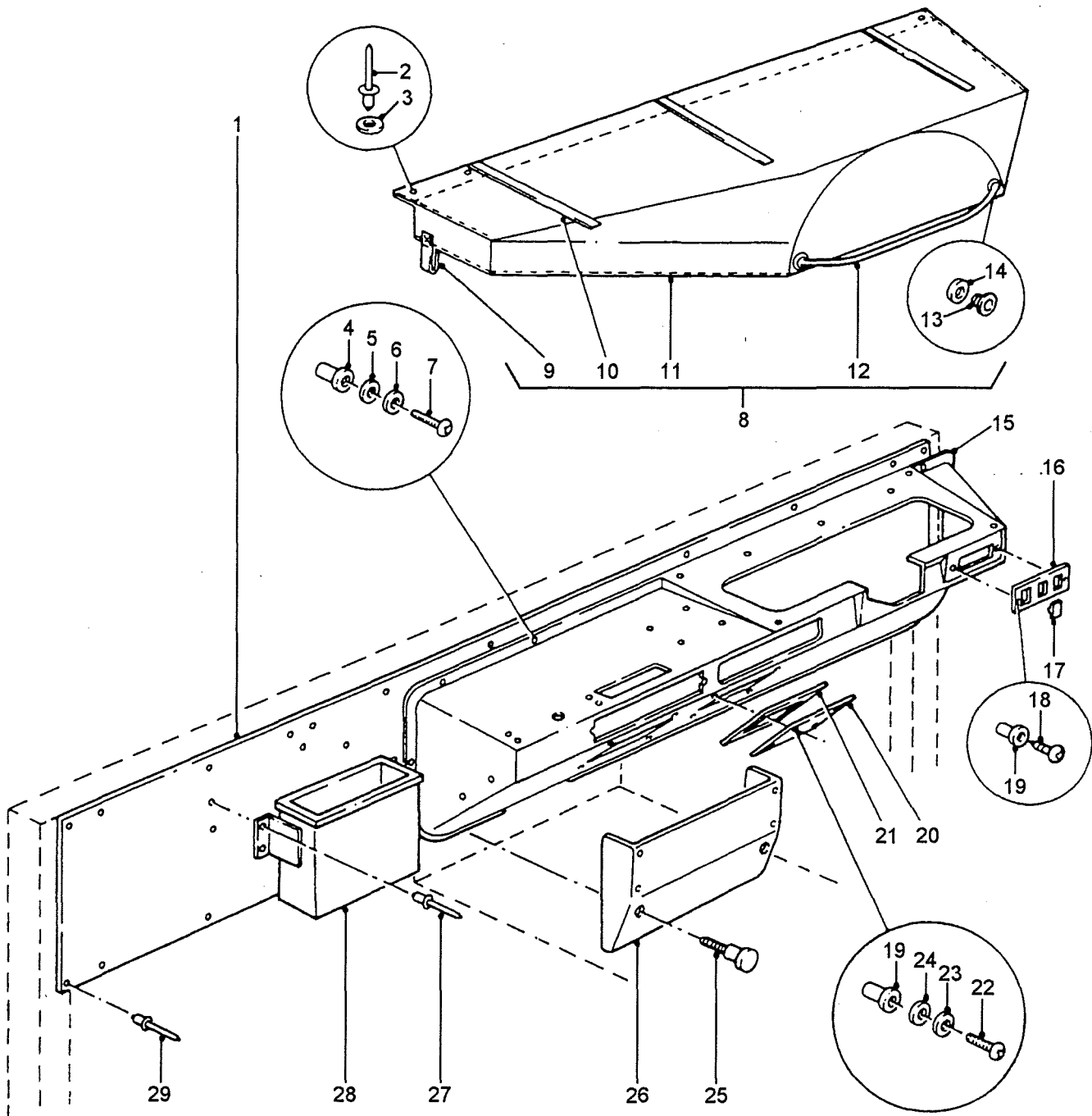
**DASH PANEL, MOULDING AND FIXTURES
- LRPV ONLY**

PERENTIE LAND ROVER PARTS LIST

SGB /2/1 DASH PANEL, MOULDING AND FIXTURES - LRPV ONLY

DERIVATIVE CODE

| <u>ITEM</u> | <u>PART NO.</u> | <u>DESCRIPTION</u> | <u>NSN</u> | <u>2185</u> | <u>2186</u> | <u>2208</u> | <u>2209</u> | <u>2210</u> | <u>2211</u> | <u>2212</u> | <u>2219</u> | <u>CP</u> |
|-------------|-----------------|--|------------------|-------------|-------------|-------------|-------------|-------------|-------------|-------------|-------------|-----------|
| 1 | HYG4093 | PANEL-DASH | | | | | | | | | | 1 |
| 2 | RU612373L | POP RIVET | 5320-99-120-9002 | | | | | | | | | 3 |
| 3 | WC105001L | WASHER-PLAIN | 5310-99-122-3032 | | | | | | | | | 3 |
| 4 | MM106301 | RIVNUT | 5310-66-128-5543 | | | | | | | | | 13 |
| 5 | WA106044 | WASHER-PLAIN | | | | | | | | | | 13 |
| 6 | WL106004L | WASHER-LOCK | 5310-99-135-4101 | | | | | | | | | 13 |
| 7 | SE106254 | SCREW | | | | | | | | | | 13 |
| 8 | HYG4274 | COVER-DASH | 2590-66-128-6286 | | | | | | | | | 1 |
| 9 | NSS | | | | | | | | | | | |
| 10 | NSS | | | | | | | | | | | |
| 11 | NSS | | | | | | | | | | | |
| 12 | NSS | | | | | | | | | | | |
| 13 | NSS | | | | | | | | | | | |
| 14 | NSS | | | | | | | | | | | |
| 15 | HYG3491 | MOULDING-FACIA | | | | | | | | | | 1 |
| | MYH5348/3300 | SEAL-FACIA MOULDING TO DASH INNER PANEL | | | | | | | | | | 1 |
| 16 | MTC2640 | PANEL-SWITCH | | | | | | | | | | 1 |
| 17 | AAM222 | PLUG-BLANKING | | | | | | | | | | 2 |
| 18 | SF104164 | SCREW | 5305-99-122-5279 | | | | | | | | | 2 |
| 19 | MP104400 | RIVNUT | 5310-66-128-5819 | | | | | | | | | 10 |
| 20 | HYG5660 | PLATE-INSPECTION | | | | | | | | | | 2 |
| 21 | HYG5661 | GASKET-INSPECTION PLATE | | | | | | | | | | 2 |
| 22 | SE104164 | SCREW | 5305-66-128-5817 | | | | | | | | | 8 |
| 23 | WL104004 | WASHER-LOCK | 5310-66-128-5818 | | | | | | | | | 8 |
| 24 | WA104004L | WASHER-PLAIN | 5310-99-550-3198 | | | | | | | | | 8 |
| 25 | MTC9968 | BOLT | 5305-66-128-4957 | | | | | | | | | 2 |
| 26 | BTR2307 | COVER-FUSEBOX | 2540-66-128-4957 | | | | | | | | | 1 |

GROUP SGB/2

**DASH PANEL, MOULDING AND FIXTURES
- LRPV ONLY**

PERENTIE LAND ROVER PARTS LIST

SGB /2/1 DASH PANEL, MOULDING AND FIXTURES - LRPV ONLY

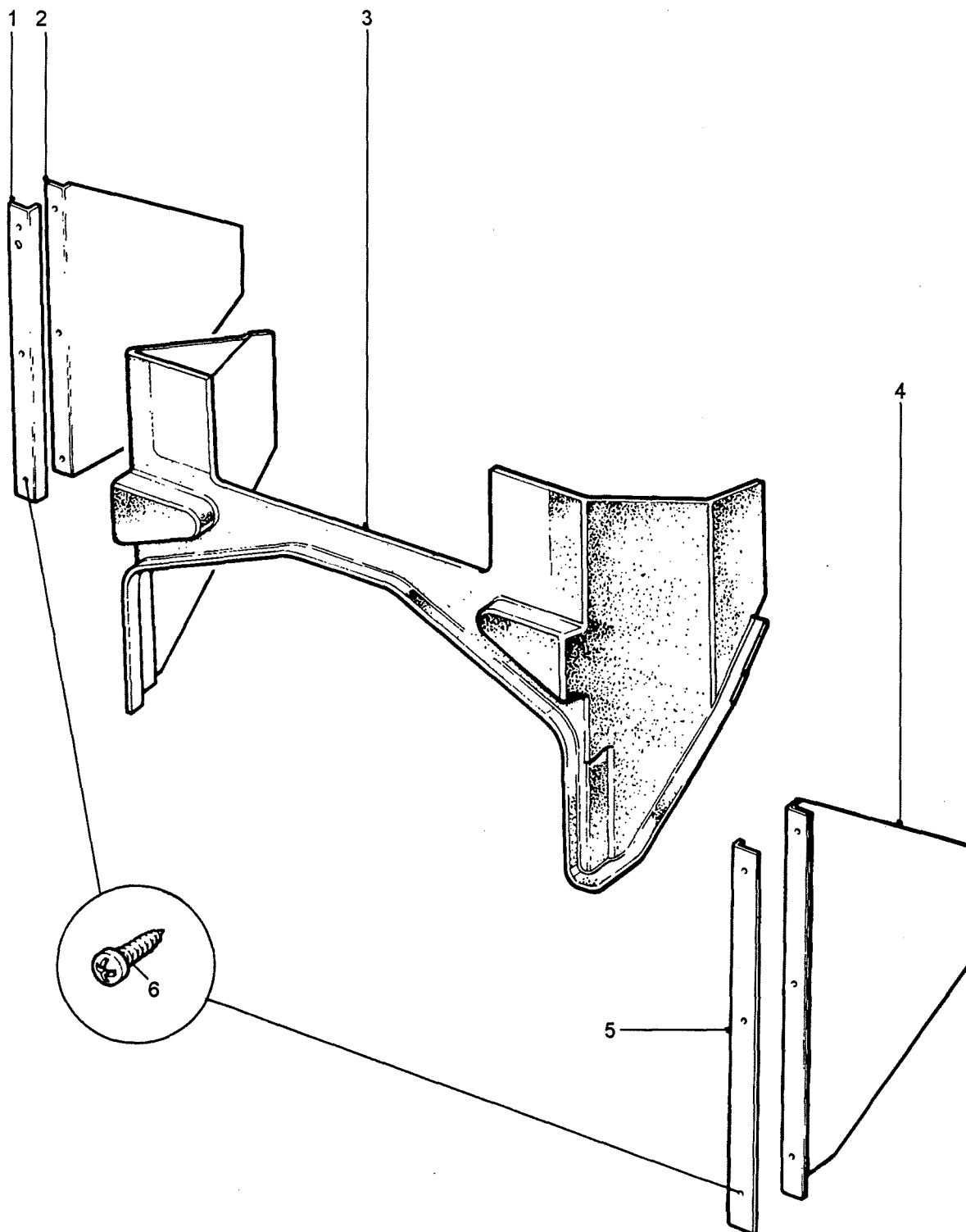
DERIVATIVE CODE

| <u>ITEM</u> | <u>PART NO.</u> | <u>DESCRIPTION</u> | <u>NSN</u> | <u>2185</u> | <u>2186</u> | <u>2208</u> | <u>2209</u> | <u>2210</u> | <u>2211</u> | <u>2212</u> | <u>2219</u> | <u>CP</u> |
|-------------|-----------------|-------------------------------|------------------|-------------|-------------|-------------|-------------|-------------|-------------|-------------|-------------|-----------|
| 27 | R78248 | POP RIVET | 5320-99-970-3518 | | | | | | | | | 4 |
| 28 | HYG3911 | HOLDER-AMMUNITION | | | | | | | | | | 1 |
| 29 | RU612183 | POP RIVET | 5320-66-128-4938 | | | | | | | | | 9 |
| | MYH5348/120 | SEAL-DASH TO GROMMET PLATE | | | | | | | | | | 2 |

CHANGE POINT

ARN INTRODUCTION

GROUP SGC



**DASHBOARD AND TOE BOX TRIM
- EXCEPT LRPV**

PERENTIE LAND ROVER PARTS LIST

SGC /1/1 DASHBOARD AND TOE BOX TRIM - EXCEPT LRPV

DERIVATIVE CODE

| <u>ITEM</u> | <u>PART NO.</u> | <u>DESCRIPTION</u> | <u>NSN</u> | <u>2185</u> | <u>2186</u> | <u>2208</u> | <u>2209</u> | <u>2210</u> | <u>2211</u> | <u>2212</u> | <u>2219</u> | <u>CP</u> |
|-------------|-----------------|--------------------|------------------|-------------|-------------|-------------|-------------|-------------|-------------|-------------|-------------|-----------|
| 1 | BTR979 | RETAINER-LH | 2540-66-128-6109 | 1 | 1 | 1 | 1 | 1 | | 1 | | |
| | BTR2371 | RETAINER-LH | | 1 | 1 | 1 | 1 | 1 | | 1 | 1 | 01 |
| 2 | BTR981 | TRIM-DASH-LH | 2540-66-128-4729 | 1 | 1 | 1 | 1 | 1 | | 1 | 1 | |
| 3 | BTR360 | INSULATOR | 2540-66-128-5026 | 1 | 1 | 1 | 1 | 1 | | 1 | 1 | |
| 4 | BTR980 | TRIM-DASH-RH | 2540-66-128-4730 | 1 | 1 | 1 | 1 | 1 | | 1 | 1 | |
| 5 | BTR978 | RETAINER-RH | 2540-66-128-6110 | 1 | 1 | 1 | 1 | 1 | | 1 | | |
| | BTR2372 | RETAINER-RH | | 1 | 1 | 1 | 1 | 1 | | 1 | 1 | 01 |
| 6 | AB606041L | SCREW | 5305-99-950-4416 | 4 | 4 | 4 | 4 | 4 | | 4 | 4 | |

CHANGE POINT

ARN INTRODUCTION

1

51-958 GENERAL MAINTAINANCE VEHICLE


GROUP SGD/1 SHEET 1

JACKING PROCEDURE

HYG 1764

DUE TO THE FITMENT OF A TRANSMISSION HANDBRAKE TO THIS VEHICLE, THE JACKING PROCEDURE MUST BE FOLLOWED BEFORE JACKING ANY WHEEL CLEAR OF THE GROUND.

1. APPLY HANDBRAKE.
2. ENGAGE DIFFERENTIAL LOCK (WARNING LIGHT WILL ILLUMINATE).
3. SELECT 1ST GEAR — LOW RANGE.
4. CHOCK BOTH SIDES OF WHEEL FURTHEST FROM WHEEL BEING RAISED.
5. SLACKEN WHEEL NUTS (5).
6. FRONT WHEELS: POSITION JACK UNDER AXLE CASING IMMEDIATELY BELOW ROAD SPRING BETWEEN END FLANGE AND SUSPENSION BRACKET
REAR WHEELS: POSITION JACK UNDER AXLE CASING IMMEDIATELY BELOW ROAD SPRING NEAR DAMPER.
7. REPLACE WHEEL AND TIGHTEN NUTS.
8. LOWER VEHICLE.
9. TORQUE NUTS: 100-115 Nm (75-85 lb. ft.).
10. DISENGAGE DIFFERENTIAL LOCK BEFORE MOVING OFF.

| | |
|------------------------|---|
| TRUCK AMBULANCE LIGHT | |
| 4 LITTER FFR WINCH MC2 | |
| LIABILITY C/N | 74505/01 |
| MANUFACTURER | JRA LIMITED |
| MODEL No | LAND ROVER 110 6x6 |
| CAPO No | N 143757 |
| DELIVERED |  |
| MANUFACTURER'S V.I.N. | |

TOWING AND DYNO TEST DATA

FLAT AND LIFT TOWING — DISTANCE UNDER 200 KM

- ... SET GEARBOX AND TRANSFER CASE IN NEUTRAL.
- ... SET TRANSFER BOX CONTROL SWITCH IN "ON-ROAD" POSITION.
- ... ENSURE DIFF LOCK & 6WD WARNING LIGHTS ARE NOT ILLUMINATED.

FOR DISTANCE OVER 200 KM

REMOVE PROPELLER SHAFTS AND REPEAT ABOVE

DYNO TEST ON FRONT AXLE

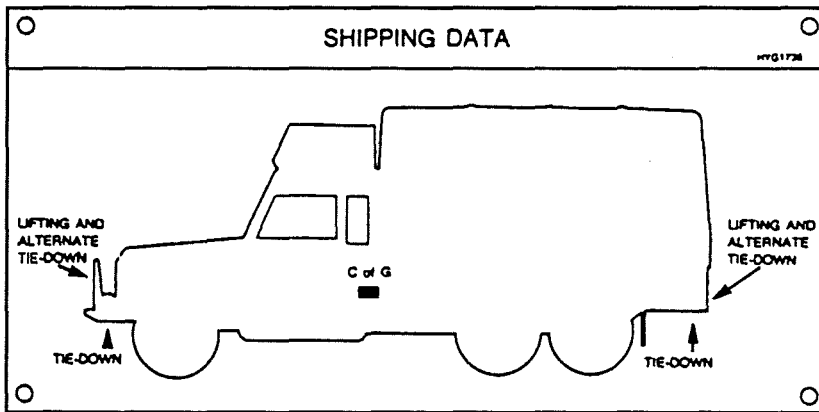
- ... REMOVE PROPELLER SHAFTS FROM BOTH REAR AXLES
- ... SET TRANSFER BOX CONTROL SWITCH TO "CROSS COUNTRY"
- ... ENSURE DIFF LOCK WARNING LIGHT IS ILLUMINATED

HYG 2951



SHIPPING DATA

HYG 1728



IDENTIFICATION AND INSTRUCTION LABELS — CARGO & AMBULANCE VEHICLES

PERENTIE LAND ROVER PARTS LIST

SGD /1/1 IDENTIFICATION AND INSTRUCTION LABELS - CARGO & AMBULANCE VEHICLES

DERIVATIVE CODE

| <u>ITEM</u> | <u>PART NO.</u> | <u>DESCRIPTION</u> | <u>NSN</u> | <u>2185</u> | <u>2186</u> | <u>2208</u> | <u>2209</u> | <u>2210</u> | <u>2211</u> | <u>2212</u> | <u>2219</u> | <u>CP</u> |
|-------------|-----------------|--------------------------|------------------|-------------|-------------|-------------|-------------|-------------|-------------|-------------|-------------|-----------|
| 1 | HYG1764 | LABEL-JACKING | 9905-66-128-4965 | 1 | 1 | 1 | | | | | | |
| 2 | HYG2764 | PLATE-NOMENCLATURE | | 1 | 1 | | | | | | | |
| | HYG5969 | PLATE NOMENCLATURE | | 1 | | | | | | | | 01 |
| | HYG3524 | PLATE-NOMENCLATURE | | | | 1 | | | | | | |
| 3 | HYG2951 | PLATE-TOWING & DYNO TEST | | 1 | 1 | 1 | | | | | | |
| 4 | AYG9788 | LABEL-WARNING-12V | 9905-66-128-4967 | 1 | 1 | 1 | | | | | | |
| 5 | HYG1738 | PLATE-SHIPPING DATA | | 1 | 1 | 1 | | | | | | |
| 6 | HYG493 | PLATE-C.O.G. | | 1 | 1 | 1 | | | | | | |
| | RA608176L | POP RIVET-PLATES | 5320-99-941-7268 | 16 | 16 | 16 | | | | | | |

CHANGE POINT

ARN INTRODUCTION

1

51-804 CARGO

GROUP SGD/1 SHEET 2

INLINE FUSES
(LOCATED UNDER ASHTRAY ON DASH) (LOCATED UNDER CENTRE DASH COVER)

| | | | | | | |
|---|--|---------|---------|--|--------|---------|
| <p>TWIN FUEL TANK VALVE</p> <p>CIGAR LIGHTER</p> <p>SIREN (AMBULANCE ONLY)</p> | <p>INSTRUMENT DIMMER SWITCH</p> <p>INSPECTION LIGHT SOCKET</p> | | | | | |
| <table border="1" style="margin: auto;"> <tr><td>— 10A —</td></tr> <tr><td>— 10A —</td></tr> <tr><td>— 10A —</td></tr> </table> | — 10A — | — 10A — | — 10A — | <table border="1" style="margin: auto;"> <tr><td>— 5A —</td></tr> <tr><td>— 15A —</td></tr> </table> | — 5A — | — 15A — |
| — 10A — | | | | | | |
| — 10A — | | | | | | |
| — 10A — | | | | | | |
| — 5A — | | | | | | |
| — 15A — | | | | | | |

BYG911B — 7

IMPORTANT

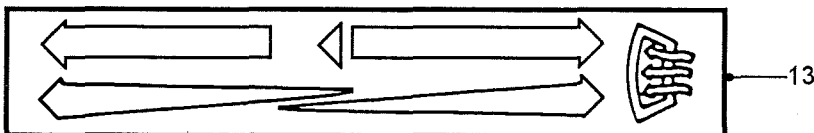
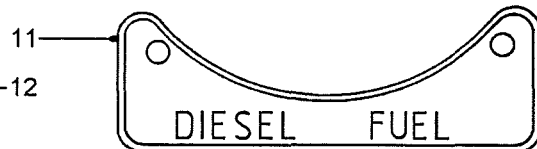
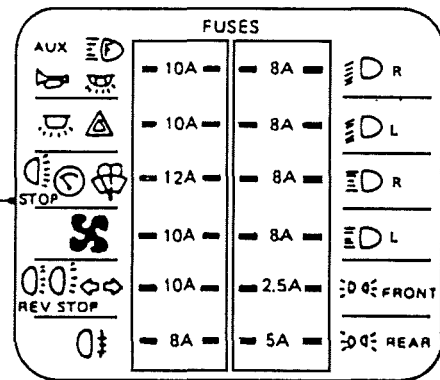
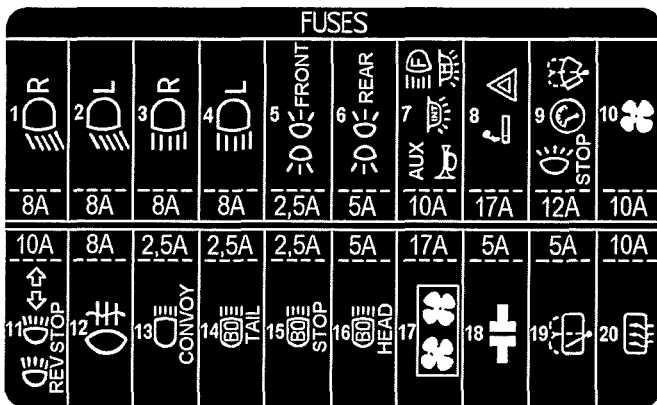
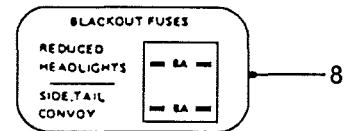
THE ENGINE SHOULD BE ALLOWED TO OPERATE AT IDLE SPEED FOR 5 TO 10 SECONDS IMMEDIATELY AFTER START-UP & BEFORE SHUT DOWN.

CARE SHOULD BE TAKEN NOT TO OPERATE THE VEHICLE ON SEALED ROADS WITH THE TRANSFER BOX CONTROL SWITCH IN THE CROSS COUNTRY POSITION.

THE TRANSFER BOX CONTROL SWITCH CAN BE ENGAGED OR DISENGAGED WHILE THE VEHICLE IS MOVING. THE ACCELERATOR SHOULD BE RELEASED MOMENTARILY WHILE ACTIVATING THE SWITCH.

CHANGES FROM HIGH TO LOW RANGE OR FROM LOW BACK TO HIGH RANGE SHOULD ONLY BE MADE WHILE THE VEHICLE IS STATIONARY.

HYG 2950



SERVICING DATA

HYG3002

| COLD TYRE PRESSURES (kPa) | HIGHWAY | | | CROSS COUNTRY | SAND |
|---------------------------|---------|-----|-----|---------------|------|
| | FRONT | 250 | 200 | 150 | |
| REAR | 350 | 275 | 225 | | |

LUBRICATION — NORMAL OR TROPICAL TEMPERATURES

| | | | |
|-------------------|-------------|-----------------|--------------|
| ENGINE | OMD 115 | MASTER CYLS | OX (AUST.) 8 |
| GEARBOX | OMD 115 | MANUAL STG. BOX | OEP 220 |
| TRANSFER BOX | CASTROL FMX | POWER STG. BOX | OX46 or OX47 |
| AXLES | OEP 220 | LUBE NIPPLES | XG274 |
| SWIVEL PIN H'SING | OEP 220 | WINCH | OEP 220 |

ELECTRICAL — 12 VOLT NEGATIVE TO EARTH SYSTEM

15

BRAKE SYSTEM

WARNING; CLEAN BOTTLE FILLER CAP BEFORE REMOVING. USE ONLY BRAKE FLUID FROM A SEALED CONTAINER. THIS FLUID MUST MEET THE REQUIREMENTS OF FMV SS 116 DOT 3 OR SAE J1703

14

IDENTIFICATION AND INSTRUCTION LABELS — CARGO & AMBULANCE VEHICLES

PERENTIE LAND ROVER PARTS LIST

SGD /1/2 IDENTIFICATION AND INSTRUCTION LABELS - CARGO & AMBULANCE VEHICLES

DERIVATIVE CODE

| <u>ITEM</u> | <u>PART NO.</u> | <u>DESCRIPTION</u> | <u>NSN</u> | <u>2185</u> | <u>2186</u> | <u>2208</u> | <u>2209</u> | <u>2210</u> | <u>2211</u> | <u>2212</u> | <u>2219</u> | <u>CP</u> |
|-------------|-----------------|---|------------------|-------------|-------------|-------------|-------------|-------------|-------------|-------------|-------------|-----------|
| 7 | BYG9118 | LABEL-INLINE FUSES | 7690-66-128-6034 | 1 | 1 | 1 | | | | | | |
| 8 | AYG9855 | LABEL-BLACKOUT FUSES | 9905-66-128-4968 | 1 | 1 | 1 | | | | | | |
| 9 | HYG2950 | PLATE-INSTRUCTION -ENGINE | 9905-66-128-5847 | 1 | 1 | 1 | | | | | | |
| | R78248 | POP RIVET | 5320-99-970-3518 | 4 | 4 | 4 | | | | | | |
| 10 | PRC5536 | LABEL-FUSE IDENTIFICATION- CARTRIDGE TYPE | 9905-66-128-4966 | 1 | 1 | 1 | | | | | | |
| 11 | R502951 | PLATE-INSTRUCTION-FUEL | 9905-66-128-4521 | 2 | 2 | 2 | | | | | | |
| 12 | PRC7293 | LABEL-FUSE IDENTIFICATION- BLADE TYPE | | 1 | 1 | | | | | | | |
| | PRC8252 | LABEL-FUSE IDENTIFICATION- BLADE TYPE | 9905-66-128-5961 | 1 | 1 | 1 | | | | | | 01 |
| 13 | HYG3510 | LABEL -HEATER CONTROLS | | 1 | 1 | 1 | | | | | | |
| 14 | HYJ0122 | LABEL-WARNING -BRAKE FLUID | 9905-66-128-5280 | 1 | 1 | 1 | | | | | | |
| 15 | HYG3002 | PLATE-SERVICE DATA | | 1 | 1 | | | | | | | |
| | HYG4888 | PLATE-SERVICE DATA | | | | 1 | | | | | | |
| | RA608176L | POP RIVET-PLATE | 5320-99-941-7268 | 4 | 4 | 4 | | | | | | |

CHANGE POINT

ARN INTRODUCTION

1 INTRODUCTION OF HEADLAMP RELAY

GROUP SGD/1 SHEET 3

Battery Removal Procedure:

1. Stop Engine.
2. Turn PDB Switch off.
3. Disconnect external Power Supply.
4. Remove 12 Volt Bridge Cable.
5. Insulate 0V and 24V disconnected cable terminals.
6. Remove Battery.

Battery Replacement Procedure:

7. Replace Battery.
8. Connect 0V and 24V Cable Terminals.
9. Connect 12 Volt Bridge Cable.

Vehicle

AYG 9965

THIS ENGINE COOLING SYSTEM IS PROTECTED WITH

ALFLOC 2001

THE LONG LIFE CORROSION INHIBITOR FOR ALUMINIUM ALLOY OR CAST IRON ENGINES

- DO NOT USE SUBSTITUTES OR UNTREATED TOP UP WATER
- RECOMMENDED DOSAGE RATE 50 ml ALFLOC 2001 PER LITRE 10 22 IMP1 COOLING SYSTEM CAPACITY

Made By CATOLEUM PTY LTD.

Anzol REFINISH THIS VEHICLE WITH ANZOL PAINTS POLYURETHANE

1021 736 3000

450-2022
OLIVE DRAB

HYG 3294

IN — OFF-ROAD
OUT — CROSS COUNTRY

HYG 2859

IDENTIFICATION AND INSTRUCTION LABELS — CARGO & AMBULANCE VEHICLES

PERENTIE LAND ROVER PARTS LIST

SGD /1/3 IDENTIFICATION AND INSTRUCTION LABELS -CARGO & AMBULANCE VEHICLES
DERIVATIVE CODE


| <u>ITEM</u> | <u>PART NO.</u> | <u>DESCRIPTION</u> | <u>NSN</u> | <u>2185</u> | <u>2186</u> | <u>2208</u> | <u>2209</u> | <u>2210</u> | <u>2211</u> | <u>2212</u> | <u>2219</u> | <u>CP</u> |
|-------------|-----------------|--------------------------------------|------------------|-------------|-------------|-------------|-------------|-------------|-------------|-------------|-------------|-----------|
| 16 | AYG9965 | LABEL-WARNING -FFR BATTERY | 9905-66-128-5823 | 1 | 1 | 1 | | | | | | |
| 17 | MYH3266 | LABEL-CORROSION INHIBITOR | 9905-66-128-4969 | 1 | 1 | 1 | | | | | | |
| 18 | HYG2712 | LABEL-PAINT FINISH | | 1 | 1 | 1 | | | | | | |
| 19 | HYG3294 | PLATE-SWITCH FACING-AUX. POWER | 9905-66-128-5824 | 1 | 1 | 1 | | | | | | |
| 20 | HYG2859 | PLATE-SWITCH FACING-FUEL TRANSFER | 9905-66-128-5825 | 1 | 1 | 1 | | | | | | |

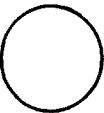
CHANGE POINT

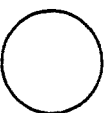
ARN INTRODUCTION

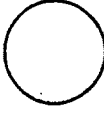
GROUP SGD/1 SHEET 4

21

MODULE ELECTRICS 

EXT. BATT. IN 24V 

OUTLET - 3 24V 

OUTLET - 4 24V 

AVG 9998

THIS VEHICLE WAS MANUFACTURED BY
JRA Limited
TO COMPLY WITH AUSTRALIAN DESIGN RULE Nos.
1-2-4C-5B-6A-7-8-12
15-17-28A-30-35A

LANDROVER MILITARY 6X6
SALLDMAZ1BY 573882
4/89 G.V.M. 5600 KG. SEATING CAP 3
THIS PLATE IS AFFIXED WITH THE APPROVAL OF THE
AUSTRALIAN MOTOR VEHICLE CERTIFICATION BOARD

Cyclopac Air Cleaner

Service Instructions (See Owner's Manual for detailed instructions)

1. Service element only when restriction reaches allowable limit.
2. Wipe inside of air cleaner with damp cloth.
3. Inspect gaskets, system, and tighten clamps
4. Check replacement element for any damage.

DO NOT OVERSERVICE ELEMENT

| | | | |
|-----------|-------------|--------------|----------------|
| Donaldson | | | |
| | Air Cleaner | Main Element | Safety Element |
| Customer | | | |

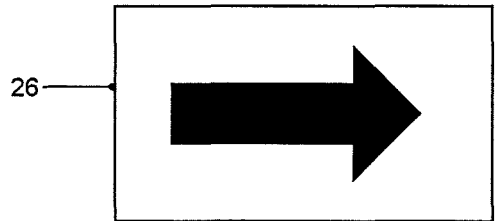
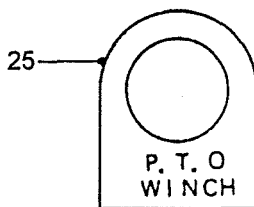
Mfg by Donaldson Australia Pty Limited Woyang NSW.

24

WINCH P.T.O.

LIFT UP TO ENGAGE

PUSH DOWN TO DISENGAGE



27

WINCH OPERATING INSTRUCTIONS

1. SWITCH ENGINE OFF.
2. SET WINCH DOG CLUTCH LEVER VERTICAL (DOG CLUTCH DISENGAGED) AND REEL OUT CABLE.
3. ATTACH CABLE TO SELECTED ANCHOR POINT.
4. PUSH DOG CLUTCH LEVER OUTBOARD, TURNING WINCH DRUM BY HAND TO ENSURE DOG CLUTCH HAS ENGAGED.
5. SET TRANSFER CASE CONTROL LEVER IN ITS NEUTRAL POSITION.
6. START ENGINE. DEPRESS CLUTCH PEDAL AND SELECT A LOW FORWARD GEAR.
7. LIFT UP WINCH PTO LEVER IN SEATBASE TO ENGAGE WINCH DRIVE FACIA WARNING LIGHT WILL INDICATE PTO ENGAGED
8. RELEASE CLUTCH PEDAL TO WIND IN WINCH CABLE
9. DEPRESS CLUTCH PEDAL TO STOP WINCH
10. SELECT NEUTRAL GEAR IN GEARBOX AND PUSH DOWN PTO CONTROL TO DISENGAGE WINCH
11. DRIVE VEHICLE FORWARD TO SLACKEN CABLE
12. DISENGAGE WINCH DOG CLUTCH BY SETTING DOG CLUTCH LEVER VERTICALLY

**DO NOT TRAVEL WITH WINCH ENGAGED
DO NOT HAVE LESS THAN FOUR WRAPS OF CABLE ON THE DRUM**

SEE USER HANDBOOK FOR MORE DETAILED INSTRUCTIONS

IDENTIFICATION AND INSTRUCTION LABELS - CARGO & AMBULANCE VEHICLES

PERENTIE LAND ROVER PARTS LIST

SGD /1/4 IDENTIFICATION AND INSTRUCTION LABELS - CARGO & AMBULANCE VEHICLES
DERIVATIVE CODE

| <u>ITEM</u> | <u>PART NO.</u> | <u>DESCRIPTION</u> | <u>NSN</u> | <u>2185</u> | <u>2186</u> | <u>2208</u> | <u>2209</u> | <u>2210</u> | <u>2211</u> | <u>2212</u> | <u>2219</u> | <u>CP</u> |
|-------------|-----------------|--------------------------------|------------------|-------------|-------------|-------------|-------------|-------------|-------------|-------------|-------------|-----------|
| 21 | AYG9998 | LABEL-FFR -EXTERNAL OUTLETS | 9905-66-128-5826 | 1 | 1 | 1 | | | | | | |
| 22 | MYH3362 | PLATE-ADR COMPLIANCE | | 1 | 1 | 1 | | | | | | |
| 23 | P90-0612 | LABEL-AIR CLEANER | | 1 | 1 | 1 | | | | | | |
| 24 | AYG3535 | LABEL-ENGAGE -WINCH/PTO | 9905-66-128-5845 | | 1 | 1 | | | | | | |
| 25 | HYG3406 | LABEL-PTO WARNING LIGHT | | | 1 | 1 | | | | | | |
| 26 | MYH3604 | LABEL-BONNET RELEASE | 7690-66-128-6424 | 1 | 1 | 1 | | | | | | |
| 27 | AYG3569 | PLATE-INSTRUCTION -WINCH | 9905-66-128-5846 | | 1 | 1 | | | | | | |
| | RA608176L | POP RIVET-PLATES | 5320-99-941-7268 | 2 | 6 | 6 | | | | | | |

CHANGE POINT

ARN INTRODUCTION

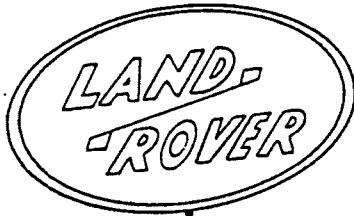
GROUP SGD/1 SHEET 5

28

CAUTION

TO PREVENT DAMAGE TO
HIGH/LOW RANGE GEARS:

- 1) ONLY CHANGE RANGE WHEN VEHICLE IS STATIONARY
- 2) SELECT REQUIRED RANGE AND MAINTAIN EFFORT ON LEVER UNTIL VEHICLE IS IN MOTION.



30

29

**DANGER
NO SMOKING**

31

| LAND ROVER 110 6 x 6 | | | |
|--|----------------|------------|---------|
| TYRE SIZE | PLY/LOAD INDEX | RIM SIZE | |
| 7.50 R 16 LT | 8/114 10/118 | 6.00 Fx16 | |
| 7.50 16 LT | 8/112 | 6.00 Gx16 | |
| LT 235/85 R 16 | 8/120 | | |
| LOAD CARRYING CAPACITY (kg) | FRONT AXLE | REAR AXLES | |
| | 1900 | 4100 | |
| COLD TYRE PRESSURES kPa (PSI) | | 350(50) | 400(58) |
| <p>NOTE:- THE SUM OF THE LOAD CARRYING CAPACITIES OF THE TYRES FITTED TO ANY AXLE OR AXLE GROUP OF THIS VEHICLE SHALL NOT BE LESS THAN THE RELEVANT LOAD SHOWN ABOVE. THE TYRES FITTED TO THIS VEHICLE SHALL HAVE A SPEED CATEGORY AT LEAST EQUAL TO THE RECOMMENDED MAX. VEHICLE OPERATING SPEED 105 km/h.</p> | | | |

32

| MOD. RECORD ASSY. CAT. No. | | | | |
|-------------------------------|----|----|----|----|
| [] | | | | |
| 1 | 6 | 11 | 16 | 21 |
| 2 | 7 | 12 | 17 | 22 |
| 3 | 8 | 13 | 18 | 23 |
| 4 | 9 | 14 | 19 | 24 |
| 5 | 10 | 15 | 20 | 25 |

IDENTIFICATION AND INSTRUCTION LABELS - CARGO & AMBULANCE VEHICLES

PERENTIE LAND ROVER PARTS LIST

SGD /1/5 IDENTIFICATION AND INSTRUCTION LABELS - CARGO & AMBULANCE VEHICLES

DERIVATIVE CODE

| <u>ITEM</u> | <u>PART NO.</u> | <u>DESCRIPTION</u> | <u>NSN</u> | <u>2185</u> | <u>2186</u> | <u>2208</u> | <u>2209</u> | <u>2210</u> | <u>2211</u> | <u>2212</u> | <u>2219</u> | <u>CP</u> |
|-------------|-----------------|----------------------------------|------------------|-------------|-------------|-------------|-------------|-------------|-------------|-------------|-------------|-----------|
| 28 | HYG4063 | LABEL-WARNING -HIGH/LOW RANGE | 9905-66-128-5888 | 1 | 1 | 1 | | | | | | |
| 29 | HYL9597 | PLATE-NO SMOKING | 9905-66-128-5889 | | | 1 | | | | | | |
| 30 | MXC6401 | DECAL-REAR -"LAND ROVER" | 2540-66-128-6103 | 1 | 1 | 1 | | | | | | |
| 31 | HYG6347 | PLATE-MODIFICATION RECORD | | 1 | 1 | 2 | | | | | | |
| 32 | AYG8172 | LABEL-TYRE DATA | | 1 | 1 | 1 | | | | | | |
| | RA608176L | POP RIVET-PLATES | 5320-99-941-7268 | 8 | 8 | 10 | | | | | | |

CHANGE POINT

ARN INTRODUCTION

GROUP SGD/2 SHEET 1

JACKING PROCEDURE HYG 1764

DUE TO THE FITMENT OF A TRANSMISSION HANDBRAKE TO THIS VEHICLE, THE JACKING PROCEDURE MUST BE FOLLOWED BEFORE JACKING ANY WHEEL CLEAR OF THE GROUND

- 1 APPLY HANDBRAKE
- 2 ENGAGE DIFFERENTIAL LOCK (WARNING LIGHT WILL ILLUMINATE)
- 3 SELECT 1ST GEAR — LOW RANGE
- 4 CHOCK BOTH SIDES OF WHEEL FURTHEST FROM WHEEL BEING RAISED
- 5 SLACKEN WHEEL NUTS (5)
- 6 FRONT WHEELS. POSITION JACK UNDER AXLE CASING IMMEDIATELY BELOW ROAD SPRING BETWEEN END FLANGE AND SUSPENSION BRACKET
- 7 REAR WHEELS. POSITION JACK UNDER AXLE CASING IMMEDIATELY BELOW ROAD SPRING NEAR DAMPER
- 8 REPLACE WHEEL AND TIGHTEN NUTS
- 9 LOWER VEHICLE
- 10 TORQUE NUTS 100-115 Nm (75-85 lb ft.)
- 11 DISENGAGE DIFFERENTIAL LOCK BEFORE MOVING OFF

TRUCK GENERAL MAINTENANCE

LIGHT WINCH MC2

LIABILITY C/N 73230/01

MANUFACTURER JRA LIMITED

MODEL No LAND ROVER 110 6 x 6

CAPO No N143895

DELIVERED

MANUFACTURER'S VIN



TOWING AND DYNO TEST DATA

FLAT AND LIFT TOWING — DISTANCE UNDER 200 KM

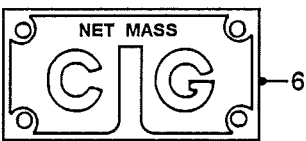
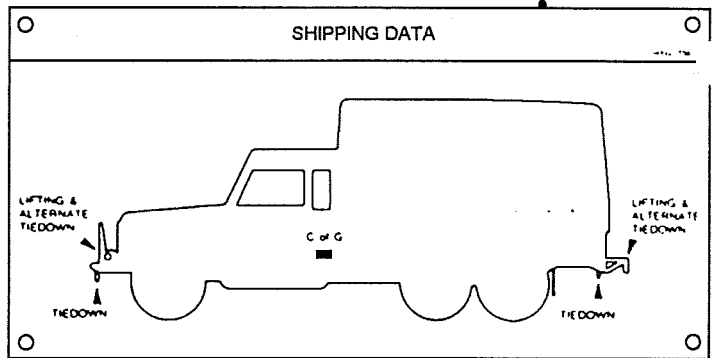
SET GEARBOX AND TRANSFER CASE IN NEUTRAL
SET TRANSFER BOX CONTROL SWITCH IN "ON-ROAD" POSITION.
ENSURE DIFF LOCK & 6WD WARNING LIGHTS ARE NOT ILLUMINATED

FOR DISTANCE OVER 200 KM

REMOVE PROPELLER SHAFTS AND REPEAT ABOVE

DYNO TEST ON FRONT AXLE

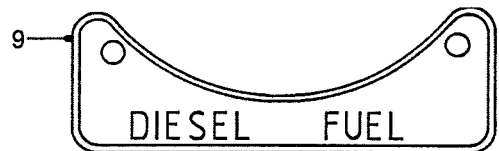
REMOVE PROPELLER SHAFTS FROM BOTH REAR AXLES
SET TRANSFER BOX CONTROL SWITCH TO "CROSS COUNTRY"
ENSURE DIFF LOCK WARNING LIGHT IS ILLUMINATED HYG 2951



INLINE FUSES
(LOCATED UNDER ASHTRAY ON DASH) (LOCATED UNDER CENTRE DASH COVER)

| | | | |
|------------------------|-----|--------------------------|-----|
| TWIN FUEL TANK VALVE | 10A | INSTRUMENT DIMMER SWITCH | 5A |
| CIGAR LIGHTER | 10A | INSPECTION LIGHT SOCKET | 15A |
| SIREN (AMBULANCE ONLY) | 10A | | |

BYG911B



FUSES

| | | | | | | | | | |
|-------------|-----|-----------|---------|---------|---------|-------|-----|--------|-----|
| 1 OR | 2 L | 3 OR | 4 L | 5 FRONT | 6 REAR | 7 AUX | 8 | 9 STOP | 10 |
| 8A | 8A | 8A | 8A | 2.5A | 5A | 10A | 17A | 12A | 10A |
| 10A | 8A | 2.5A | 2.5A | 2.5A | 5A | 17A | 5A | 5A | 10A |
| 11 REV STOP | 12 | 13 CONVOY | 14 TAIL | 15 STOP | 16 HEAD | 17 | 18 | 19 | 20 |

SERVICING DATA HYG 488E

| COLD TYRE PRESSURES (kPa) | HIGHWAY | | | CROSS COUNTRY | SAND |
|---------------------------|---------|------|-------|---------------|------|
| | FRONT | REAR | FRONT | REAR | |
| | 350 | 350 | 275 | 275 | 225 |

LUBRICATION — NORMAL OR TROPICAL TEMPERATURES

| | | | |
|-------------------|---------|-----------------|--------------|
| ENGINE | OMD 115 | MASTER CYLS | OX (AUST) 8 |
| GEARBOX | OMD 115 | MANUAL STG. BOX | OEP 220 |
| TRANSFER BOX | OMD 115 | POWER STG. BOX | OX46 or OX47 |
| AXLES | OEP 220 | LUBE NIPPLES | IG274 |
| SWIVEL PIN M'SING | OEP 220 | WINCH | OEP |

ELECTRICAL — 12 VOLT NEGATIVE TO EARTH SYSTEM

IDENTIFICATION AND INSTRUCTION LABELS — GMV AND ERV

PERENTIE LAND ROVER PARTS LIST

SGD /2/1 IDENTIFICATION AND INSTRUCTION LABELS - GMV AND ERV

DERIVATIVE CODE

| ITEM | PART NO. | DESCRIPTION | NSN | DERIVATIVE CODE | | | | | | | | | |
|------|-----------|--|------------------|-----------------|------|------|------|------|------|------|------|----|----|
| | | | | 2185 | 2186 | 2208 | 2209 | 2210 | 2211 | 2212 | 2219 | CP | |
| 1 | HYG1764 | LABEL-JACKING | 9905-66-128-4965 | | | | 1 | 1 | | | | | |
| 2 | HYG3687 | PLATE-NOMENCLATURE | | | | | 1 | | | | | | |
| | HYG5967 | PLATE-NOMENCLATURE | | | | | 1 | | | | | | |
| | HYG3686 | PLATE-NOMENCLATURE | | | | | | | 1 | | | | |
| 3 | HYG2951 | PLATE-TOWING & DYNO TEST | | | | | 1 | 1 | | | | | |
| 4 | AYG9788 | LABEL-WARNING-12V | 9905-66-128-4967 | | | | 1 | 1 | | | | | |
| 5 | HYG1738 | PLATE-SHIPPING DATA | | | | | 1 | 1 | | | | | |
| 6 | HYG493 | PLATE-C.O.G. | | | | | 1 | 1 | | | | | |
| 7 | BYG9118 | LABEL-IN LINE FUSES | 7690-66-128-6034 | | | | 1 | 1 | | | | | |
| 8 | PRC5536 | LABEL-FUSE IDENTIFICATION-CARTRIDGE TYPE | 9905-66-128-4966 | | | | 1 | 1 | | | | | |
| | PRC8252 | LABEL-FUSE IDENTIFICATION-BLADE TYPE | 9905-66-128-5961 | | | | 1 | 1 | | | | | |
| | PRC7293 | LABEL-FUSE IDENTIFICATION-BLADE TYPE | | | | | 1 | 1 | | | | | 01 |
| 9 | R502951 | PLATE-INSTRUCTION-FUEL | 9905-66-128-4521 | | | | 2 | 2 | | | | | |
| 10 | HYG4888 | PLATE-SERVICE DATA | | | | | 1 | 1 | | | | | |
| | RA608176L | POP RIVET-PLATES | 5320-99-941-7268 | | | | 20 | 20 | | | | | |

CHANGE POINT

ARN INTRODUCTION

1

INTRODUCTION OF HEADLAMP RELAY

GROUP SGD/2 SHEET 2

BRAKE SYSTEM

WARNING CLEAN BOTTLE FILLER CAP BEFORE REMOVING USE ONLY BRAKE FLUID FROM A SEALED CONTAINER THIS FLUID MUST MEET THE REQUIREMENTS OF FMV SS 116 DOT 3 OR SAE J1703

11

Battery Removal Procedure

1. Stop Engine.
2. Remove 12 Volt Bridge Cable.
3. Insulate 0V and 24V disconnected Cable Terminals.
4. Remove Battery.

Battery Replacement Procedure:

5. Replace Battery.
6. Connect 0V and 24V Cable Terminals.
7. Connect 12 Volt Bridge Cable.

12

24 VOLT ALTERNATOR

12 VOLT BRIDGE CABLE

Vehicle

24V

0V

WARNING ALWAYS TREAT ALL CABLE AS LIVE

BYG 9137

THIS ENGINE COOLING SYSTEM IS PROTECTED WITH

ALFLOC 2001

THE LONG LIFE CORROSION INHIBITOR FOR ALUMINIUM ALLOY OR CAST IRON ENGINES

DO NOT USE SUBSTITUTES OR UNMIXED TOP UP WATER

RECOMMENDED DOSAGE RATE 50 ml ALFLOC 2001 PER LITRE 10.22 IMP COOLING SYSTEM CAPACITY

Made By CATOLEUM PTY. LTD.

13

DIMMER

NORMAL

REDUCED

AUX POWER

OFF

MAX

14

IN — OFF-ROAD

OUT — CROSS COUNTRY

L.H. TANK

R.H. TANK

FUEL SELECTOR

TRANSFER BOX CONTROL

15

WINCH OPERATING INSTRUCTIONS

1. SWITCH ENGINE OFF
2. SET WINCH DOG CLUTCH LEVER VERTICAL (DOG CLUTCH DISENGAGED) AND PEEI OUT CABLE.
3. ATTACH CABLE TO SELECTED ANCHOR POINT
4. PUSH DOG CLUTCH LEVER OUTBOARD, TURNING WINCH DRUM BY HAND TO ENSURE DOG CLUTCH HAS ENGAGED.
5. SET TRANSFER CASE CONTROL LEVER IN ITS NEUTRAL POSITION.
6. START ENGINE, DEPRESS CLUTCH PEDAL AND SELECT A LOW FORWARD GEAR
7. LIFT UP WINCH PTO LEVER IN SEATBASE TO ENGAGE WINCH DRIVE FACIA WARNING LIGHT WILL INDICATE PTO ENGAGED
8. RELEASE CLUTCH PEDAL TO WINCH IN WINCH CABLE
9. DEPRESS CLUTCH PEDAL TO STOP WINCH
10. SELECT NEUTRAL GEAR IN GEARBOX AND PUSH DOWN PTO CONTROL TO DISENGAGE WINCH
11. DRIVE VEHICLE FORWARD TO SLACKEN CABLE
12. DISENGAGE WINCH DOG CLUTCH BY SETTING DOG CLUTCH LEVER VERTICALLY

DO NOT TRAVEL WITH WINCH ENGAGED DO NOT HAVE LESS THAN FOUR WRAPS OF CABLE ON THE DRUM

SEE USER HANDBOOK FOR MORE DETAILED INSTRUCTIONS

16

MODULE ELECTRICS

EXT. BATT. IN 24V

OUTLET - 3 24V

OUTLET - 4 24V

16

THIS VEHICLE WAS MANUFACTURED BY JRA Limited TO COMPLY WITH AUSTRALIAN DESIGN RULE Nos 1-2-4C-5B-6A-7-8-12 15-17-28A-30-35A

LANDROVER MILITARY 6X6 SALLDMAZ1BY-573882 4/89 G.V.M. 5600 KG SEATING CAP 3 THIS PLATE AFFIXED WITH THE APPROVAL OF THE AUSTRALIAN MOTOR VEHICLE CERTIFICATION BOARD

17

Anzel REFINISH THIS VEHICLE WITH ANZOL PAINTS POLYURETHANE 1021 736 3000

450-2022 OLIVE DRAB

18

Cyclopac. Air cleaner

Service Instructions (See Owner's Manual for detailed instructions)

1. Service element only when restriction reaches allowable limit.
2. Wipe inside of air cleaner with damp cloth.
3. Inspect gaskets, system, and tighten clamps.
4. Check replacement element for any damage.

DO NOT OVERSERVICE ELEMENT

| | | | |
|-----------|-------------|--------------|----------------|
| Donaldson | | | |
| | Air Cleaner | Main Element | Safety Element |
| Customer | | | |

Mtd by Donaldson Australia Pty Limited Whang. NSW.

19

WINCH P.T.O.

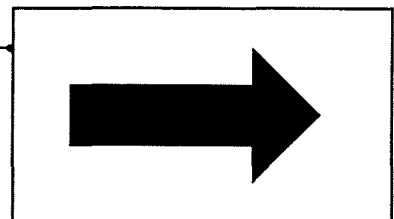
LIFT UP TO ENGAGE

PUSH DOWN TO DISENGAGE

20

P.T.O. WINCH

21



IDENTIFICATION AND INSTRUCTION LABELS - GMV AND ERV

PERENTIE LAND ROVER PARTS LIST

SGD /2/2 IDENTIFICATION AND INSTRUCTION LABELS - GMV AND ERV

DERIVATIVE CODE

| <u>ITEM</u> | <u>PART NO.</u> | <u>DESCRIPTION</u> | <u>NSN</u> | <u>DERIVATIVE CODE</u> | | | | | | | | | | |
|-------------|-----------------|--------------------------------------|------------------|------------------------|-------------|-------------|-------------|-------------|-------------|-------------|-------------|-----------|--|--|
| | | | | <u>2185</u> | <u>2186</u> | <u>2208</u> | <u>2209</u> | <u>2210</u> | <u>2211</u> | <u>2212</u> | <u>2219</u> | <u>CP</u> | | |
| 11 | HYJ0122 | LABEL-WARNING -BRAKE FLUID | 9905-66-128-5280 | | | | 1 | | 1 | | | | | |
| 12 | BYG9137 | LABEL-BATTERY WIRING | 9905-66-128-5823 | | | | 1 | | 1 | | | | | |
| 13 | MYH3266 | LABEL-CORROSION INHIBITOR | 9905-66-128-4969 | | | | 1 | | 1 | | | | | |
| 14 | HYG3294 | PLATE-SWITCH FACING-AUX. POWER | 9905-66-128-5824 | | | | 1 | | 1 | | | | | |
| 15 | HYG2859 | PLATE-SWITCH FACING-FUEL TRANSFER | 9905-66-128-5825 | | | | 1 | | 1 | | | | | |
| 16 | AYG9998 | LABEL-FFR -EXTERNAL OUTLETS | 9905-66-128-5826 | | | | 1 | | | | | | | |
| 17 | MYH3362 | PLATE-ADR COMPLIANCE | | | | | 1 | | 1 | | | | | |
| | RA608176L | POP RIVET-PLATE | 5320-99-941-7268 | | | | 2 | | 2 | | | | | |
| 18 | HYG2712 | LABEL-PAINT FINISH | | | | | 1 | | 1 | | | | | |
| 19 | P90-0612 | LABEL-AIR CLEANER | | | | | 1 | | 1 | | | | | |
| 20 | AYG3535 | LABEL-ENGAGE -WINCH/PTO | 9905-66-128-5845 | | | | 1 | | 1 | | | | | |
| 21 | HYG3406 | LABEL-PTO WARNING LIGHT | | | | | 1 | | | | | | | |
| 22 | MYH3604 | LABEL-BONNET RELEASE | 7690-66-128-6424 | | | | 1 | | 1 | | | | | |
| 23 | AYG3569 | PLATE-INSTRUCTION -WINCH | 9905-66-128-5846 | | | | 1 | | | | | | | |
| | RU608123L | POP RIVET-PLATE | 5320-66-128-4634 | | | | 4 | | | | | | | |

CHANGE POINT

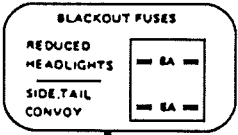
ARN INTRODUCTION

GROUP SGD/2 SHEET 3

CAUTION

TO PREVENT DAMAGE TO
HIGH/LOW RANGE GEARS:

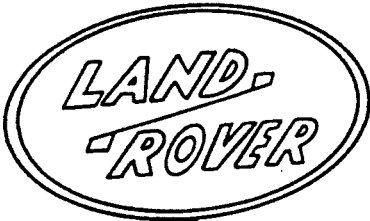
- 1) ONLY CHANGE RANGE WHEN VEHICLE IS **STATIONARY**
- 2) SELECT REQUIRED RANGE AND **MAINTAIN EFFORT** ON LEVER UNTIL VEHICLE IS IN **MOTION**.



25

24

26



27

IMPORTANT

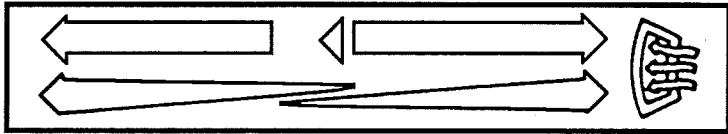
THE ENGINE SHOULD BE ALLOWED TO OPERATE AT IDLE SPEED FOR 5 TO 10 SECONDS IMMEDIATELY AFTER START-UP & BEFORE SHUT DOWN.

CARE SHOULD BE TAKEN NOT TO OPERATE THE VEHICLE ON SEALED ROADS WITH THE TRANSFER BOX CONTROL SWITCH IN THE CROSS COUNTRY POSITION.

THE TRANSFER BOX CONTROL SWITCH CAN BE ENGAGED OR DISENGAGED WHILE THE VEHICLE IS MOVING. THE ACCELERATOR SHOULD BE RELEASED MOMENTARILY WHILE ACTIVATING THE SWITCH.

CHANGES FROM HIGH TO LOW RANGE OR FROM LOW BACK TO HIGH RANGE SHOULD ONLY BE MADE WHILE THE VEHICLE IS STATIONARY.

HYG 2950



28

| MOD. RECORD ASSY. CAT. No. | | | | |
|----------------------------|----|----|----|----|
| [] | | | | |
| 1 | 6 | 11 | 16 | 21 |
| 2 | 7 | 12 | 17 | 22 |
| 3 | 8 | 13 | 18 | 23 |
| 4 | 9 | 14 | 19 | 24 |
| 5 | 10 | 15 | 20 | 25 |

30

LAND ROVER 110 6 x 6

| TYRE SIZE | RIM SIZE | |
|-------------------------------|-------------|------------|
| 7.50 R 16 LT (10 PLY) | 6.00 F x 16 | |
| LOAD CARRYING CAPACITY | FRONT AXLE | REAR AXLES |
| | 1900 | 4100 |
| COLD TYRE PRESSURES kPa (PSI) | 350(50) | 400(58) |

NOTE:- THE SUM OF THE LOAD CARRYING CAPACITIES OF THE TYRES FITTED TO ANY AXLE OR AXLE GROUP OF THIS VEHICLE SHALL NOT BE LESS THAN THE RELEVANT LOAD SHOWN ABOVE. THE TYRES FITTED TO THIS VEHICLE SHALL HAVE A SPEED CATEGORY AT LEAST EQUAL TO THE RECOMMENDED MAX. VEHICLE OPERATING SPEED 105 km/h.

AVG 9172

29

IDENTIFICATION AND INSTRUCTION LABELS - GMV AND ERV

PERENTIE LAND ROVER PARTS LIST

SGD /2/3 IDENTIFICATION AND INSTRUCTION LABELS - GMV AND ERV

DERIVATIVE CODE

| <u>ITEM</u> | <u>PART NO.</u> | <u>DESCRIPTION</u> | <u>NSN</u> | <u>DERIVATIVE CODE</u> | | | | | | | | | |
|-------------|-----------------|----------------------------------|------------------|------------------------|-------------|-------------|-------------|-------------|-------------|-------------|-------------|-----------|--|
| | | | | <u>2185</u> | <u>2186</u> | <u>2208</u> | <u>2209</u> | <u>2210</u> | <u>2211</u> | <u>2212</u> | <u>2219</u> | <u>CP</u> | |
| 24 | HYG4063 | LABEL-WARNING -HIGH/LOW RANGE | 9905-66-128-5888 | | | | 1 | | 1 | | | | |
| 25 | AYG9855 | LABEL-BLACKOUT FUSES | 9905-66-128-4968 | | | | 1 | | 1 | | | | |
| 26 | HYG2950 | PLATE-INSTRUCTION -ENGINE | 9905-66-128-5847 | | | | 1 | | 1 | | | | |
| | R78248 | POP RIVET-PLATE | 5320-99-970-3518 | | | | 4 | | 4 | | | | |
| 27 | MXC6401 | DECAL-REAR -"LAND ROVER" | 2540-66-128-6103 | | | | 1 | | 1 | | | | |
| 28 | HYG3510 | LABEL -HEATER CONTROLS | | | | | 1 | | 1 | | | | |
| 29 | AYG8172 | LABEL-TYRE DATA | | | | | 1 | | 1 | | | | |
| 30 | HYG6347 | PLATE-MODIFICATION RECORD | | | | | 1 | | 1 | | | | |
| | RA608176L | POP RIVET-PLATES | 5320-99-941-7268 | | | | 4 | | 4 | | | | |

CHANGE POINT

ARN INTRODUCTION

GROUP SGD/3 SHEET 1

JACKING PROCEDURE HYG 1764

DUE TO THE FITMENT OF A TRANSMISSION HANDBRAKE TO THIS VEHICLE, THE JACKING PROCEDURE MUST BE FOLLOWED BEFORE JACKING ANY WHEEL CLEAR OF THE GROUND

- 1 APPLY HANDBRAKE
- 2 ENGAGE DIFFERENTIAL LOCK (WARNING LIGHT WILL ILLUMINATE)
- 3 SELECT 1ST GEAR — LOW RANGE
- 4 CHOCK BOTH SIDES OF WHEEL FURTHEST FROM WHEEL BEING RAISED
- 5 SLACKEN WHEEL NUTS (5)
- 6 FRONT WHEELS. POSITION JACK UNDER AXLE CASING IMMEDIATELY BELOW ROAD SPRING BETWEEN END FLANGE AND SUSPENSION BRACKET
- 7 REAR WHEELS. POSITION JACK UNDER AXLE CASING IMMEDIATELY BELOW ROAD SPRING NEAR DAMPER
- 8 REPLACE WHEEL AND TIGHTEN NUTS
- 9 LOWER VEHICLE
- 10 TORQUE NUTS 100-115 Nm (75-85 lb ft.)
- 11 DISENGAGE DIFFERENTIAL LOCK BEFORE MOVING OFF

TRUCK AIR DEFENCE LIGHT

FFR WINCH MC2

| | |
|--------------------|----------------------|
| LIABILITY C/N | 73207 |
| MANUFACTURER | JRA LIMITED |
| MODEL No | LAND ROVER 110 6 x 6 |
| CAPO No | N143895 |
| DELIVERED | |
| MANUFACTURER'S VIN | |

↑

12 V

AYG 9788

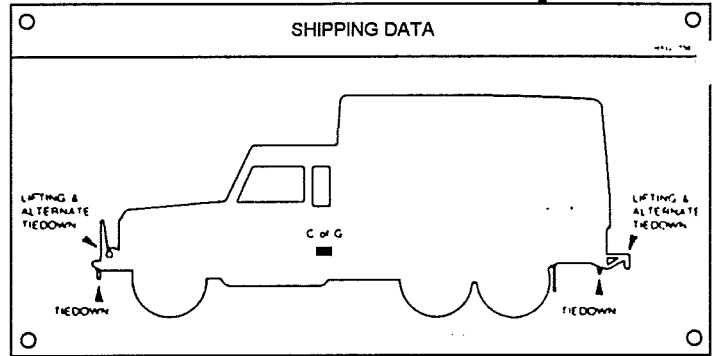
TOWING AND DYNO TEST DATA

FLAT AND LIFT TOWING — DISTANCE UNDER 200 KM

SET GEARBOX AND TRANSFER CASE IN NEUTRAL
SET TRANSFER BOX CONTROL SWITCH IN "ON-ROAD" POSITION.
ENSURE DIFF LOCK & 6WD WARNING LIGHTS ARE NOT ILLUMINATED

FOR DISTANCE OVER 200 KM
REMOVE PROPELLER SHAFTS AND REPEAT ABOVE

DYNO TEST ON FRONT AXLE
REMOVE PROPELLER SHAFTS FROM BOTH REAR AXLES
SET TRANSFER BOX CONTROL SWITCH TO "CROSS COUNTRY"
ENSURE DIFF LOCK WARNING LIGHT IS ILLUMINATED HYG 2951



NET MASS

C I G

DIESEL FUEL

INLINE FUSES

(LOCATED UNDER ASHTRAY ON DASH) (LOCATED UNDER CENTRE DASH COVER)

| | |
|--|---|
| <p>TWIN FUEL TANK VALVE — 10A</p> <p>CIGAR LIGHTER — 10A</p> <p>SIREN (AMBULANCE ONLY) — 10A</p> | <p>INSTRUMENT DIMMER SWITCH — 5A</p> <p>INSPECTION LIGHT SOCKET — 15A</p> <p style="text-align: right; font-size: 0.8em;">BYG911B</p> |
|--|---|

BRAKE SYSTEM

WARNING CLEAN BOTTLE FILLER CAP BE FORE REMOVING USE ONLY BRAKE FLUID FROM A SEALED CONTAINER THIS FLUID MUST MEET THE REQUIREMENTS OF FMV SS 116 DOT 3 OR SAE J1703

FUSES

| | | | | | | | | | |
|-------------|------|-----------|---------|---------|---------|-------|-----|--------|-----|
| 1 DR | 2 DL | 3 DR | 4 DL | 5 FRONT | 6 REAR | 7 AUX | 8 | 9 STOP | 10 |
| 8A | 8A | 8A | 8A | 2.5A | 5A | 10A | 17A | 12A | 10A |
| 10A | 8A | 2.5A | 2.5A | 2.5A | 5A | 17A | 5A | 5A | 10A |
| 11 REV STOP | 12 | 13 CONVOY | 14 TAIL | 15 STOP | 16 HEAD | 17 | 18 | 19 | 20 |

SERVICING DATA HYG 468R

| COLD TYRE PRESSURES (kPa) | TEMPERATURES | | | |
|---------------------------|--------------|---------|---------------|------|
| | FRONT | HIGHWAY | CROSS COUNTRY | SAND |
| FRONT | 350 | 275 | 225 | 225 |
| REAR | 350 | 275 | 275 | 225 |

LUBRICATION — NORMAL OR TROPICAL TEMPERATURES

| | | | |
|-------------------|---------|----------------|--------------|
| ENGINE | OMD 115 | MASTER CYLS | Ox (AUST) 8 |
| GEARBOX | OMD 115 | MANUAL STG BOX | OEP 220 |
| TRANSFER BOX | OMD 115 | POWER STG BOX | Ox46 or Ox47 |
| AXLES | OEP 220 | LUBE NIPPLES | XG274 |
| SWIVEL PIN M'SING | OEP 220 | WINCH | OEP |

ELECTRICAL — 12 VOLT NEGATIVE TO EARTH SYSTEM

IDENTIFICATION AND INSTRUCTION LABELS — AIR DEFENCE & CREW CAB

PERENTIE LAND ROVER PARTS LIST

SGD /3/1 IDENTIFICATION AND INSTRUCTION LABELS - AIR DEFENCE & CREW CAB ONLY

DERIVATIVE CODE

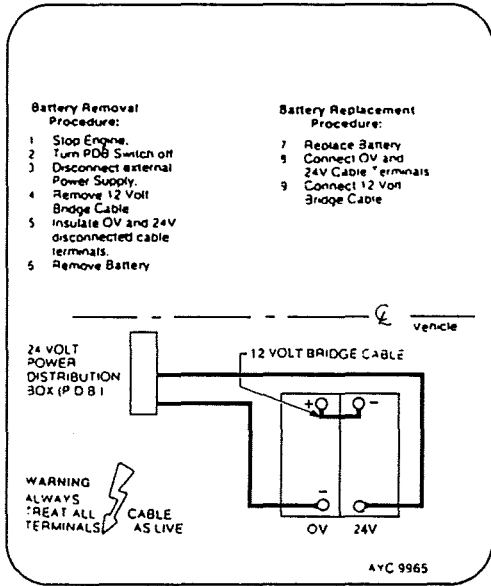
| <u>ITEM</u> | <u>PART NO.</u> | <u>DESCRIPTION</u> | <u>NSN</u> | <u>2185</u> | <u>2186</u> | <u>2208</u> | <u>2209</u> | <u>2210</u> | <u>2211</u> | <u>2212</u> | <u>2219</u> | <u>CP</u> |
|-------------|-----------------|--|------------------|-------------|-------------|-------------|-------------|-------------|-------------|-------------|-------------|-----------|
| 1 | HYG1764 | LABEL-JACKING | 9905-66-128-4965 | | | | | | | 1 | 1 | |
| 2 | HYG3689 | PLATE-NOMENCLATURE | | | | | | | | 1 | | |
| | HYG6157 | PLATE-NOMENCLATURE | | | | | | | | | 1 | |
| 3 | HYG2951 | PLATE-TOWING & DYNO TEST | | | | | | | | 1 | 1 | |
| 4 | AYG9788 | LABEL-WARNING-12V | 9905-66-128-4967 | | | | | | | 1 | 1 | |
| 5 | HYG1738 | PLATE-SHIPPING DATA | | | | | | | | 1 | 1 | |
| 6 | HYG493 | PLATE-C.O.G. | | | | | | | | 1 | 1 | |
| 7 | BYG9118 | LABEL-INLINE FUSES | 7690-66-128-6034 | | | | | | | 1 | 1 | |
| 8 | PRC5536 | LABEL-FUSE IDENTIFICATION-CARTRIDGE TYPE | 9905-66-128-4966 | | | | | | | 1 | | |
| | PRC7293 | LABEL-FUSE IDENTIFICATION-BLADE TYPE | | | | | | | | 1 | | |
| | PRC8252 | LABEL FUSE IDENTIFICATION-BLADE TYPE | 9905-66-128-5961 | | | | | | | 1 | 1 | 01 |
| 9 | R502951 | PLATE-INSTRUCTION-FUEL | 9905-66-128-4521 | | | | | | | 2 | 2 | |
| 10 | HYJ0122 | LABEL-WARNING -BRAKE FLUID | 9905-66-128-5280 | | | | | | | 1 | 1 | |
| 11 | HYG4888 | PLATE-SERVICE DATA | | | | | | | | 1 | | |
| | HYG3002 | PLATE-SERVICE DATA | | | | | | | | | 1 | |
| | RA608176L | POP RIVET-PLATES | 5320-99-941-7268 | | | | | | | 20 | 20 | |

CHANGE POINT

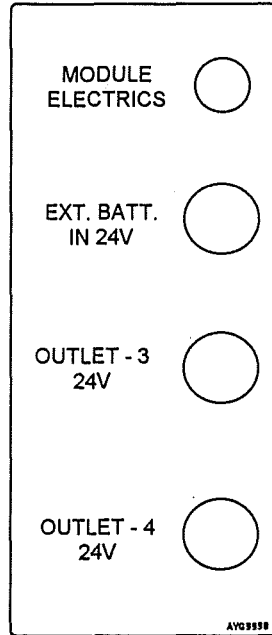
ARN INTRODUCTION

1 INTRODUCTION HEADLAMP RELAY

GROUP SGD/3 SHEET 2



12



THIS VEHICLE WAS MANUFACTURED BY
JRA Limited
TO COMPLY WITH AUSTRALIAN DESIGN RULE Nos
1-2-4C-5B-6A-7-8-12
15-17-28A-30-35A

LANDROVER MILITARY 6X6
SALLDMAZ1BY-573882
4/89 G.V.M. 5600 KG SEATING CAP 3
THIS PLATE AFFIXED WITH THE APPROVAL OF THE
AUSTRALIAN MOTOR VEHICLE CERTIFICATION BOARD

18

Anzol REFINISH THIS VEHICLE WITH ANZOL POLYURETHANE PAINTS (02) 736 3000

450-2022 OLIVE DRAB

THIS ENGINE COOLING SYSTEM IS PROTECTED WITH **ALFLOC 2001**

THE LONG LIFE CORROSION INHIBITOR FOR ALUMINIUM ALLOY OR CAST IRON ENGINES

DO NOT USE SUBSTITUTES OR UNTREATED TOP UP WATER

RECOMMENDED DOSAGE RATE 10 ml per litre of coolant per litre of cooling system capacity

Made By CATOLEUM PTY. LTD.

13

Cyclopac Air Cleaner

Service Instructions (See Owner's Manual for detailed instructions)

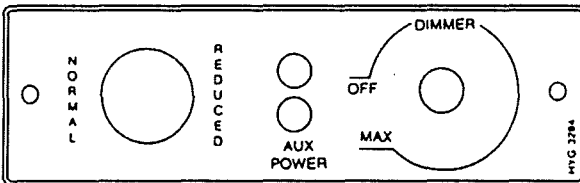
1. Service element only when restriction reaches allowable limit.
2. Wipe inside of air cleaner with damp cloth.
3. Inspect gaskets, system, and tighten clamps.
4. Check replacement element for any damage.

DO NOT OVERSERVICE ELEMENT

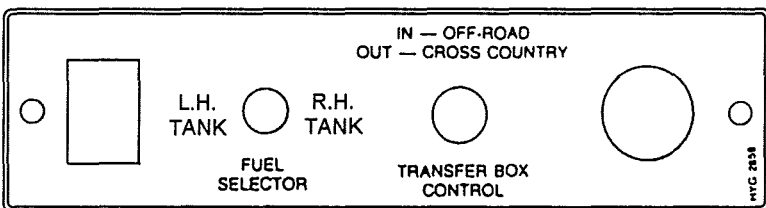
| | | | |
|-----------|-------------|--------------|----------------|
| Donaldson | | | |
| | Air Cleaner | Main Element | Safety Element |
| Customer | | | |

Mfd by Donaldson Australia Pty Limited Wyong, NSW.

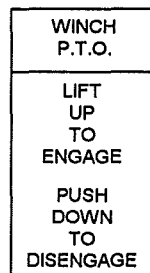
20



14

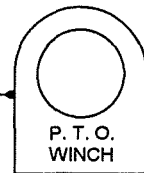


15

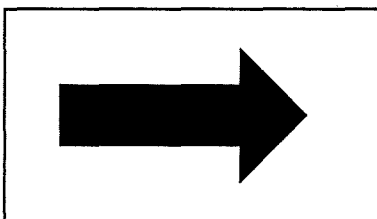


21

22



23



16

WARNING
DO NOT ENGAGE COMPRESSOR WHILE ENGINE IS RUNNING
MAGNUM AIR COMPRESSOR

IDENTIFICATION AND INSTRUCTION LABELS - AIR DEFENCE & CREW CAB

PERENTIE LAND ROVER PARTS LIST

SGD /3/2 IDENTIFICATION AND INSTRUCTION LABELS - AIR DEFENCE & CREW CAB ONLY

DERIVATIVE CODE

| <u>ITEM</u> | <u>PART NO.</u> | <u>DESCRIPTION</u> | <u>NSN</u> | <u>2185</u> | <u>2186</u> | <u>2208</u> | <u>2209</u> | <u>2210</u> | <u>2211</u> | <u>2212</u> | <u>2219</u> | <u>CP</u> |
|-------------|-----------------|--------------------------------------|------------------|-------------|-------------|-------------|-------------|-------------|-------------|-------------|-------------|-----------|
| 12 | AYG9965 | LABEL-WARNING -FFR BATTERY | 9905-66-128-5823 | | | | | | | 1 | | |
| 13 | MYH3266 | LABEL-CORROSION INHIBITOR | 9905-66-128-4969 | | | | | | | 1 | 1 | |
| 14 | HYG3294 | PLATE-SWITCH FACING-AUX. POWER | 9905-66-128-5824 | | | | | | | 1 | 1 | |
| 15 | HYG2859 | PLATE-SWITCH FACING-FUEL TRANSFER | 9905-66-128-5825 | | | | | | | 1 | 1 | |
| 16 | MYH3604 | LABEL-BONNET RELEASE | 7690-66-128-6424 | | | | | | | 1 | 1 | |
| 17 | AYG9998 | LABEL-FFR -EXTERNAL OUTLETS | 9905-66-128-5826 | | | | | | | 1 | 1 | |
| 18 | MYH3362 | PLATE-ADR COMPLIANCE | | | | | | | | 1 | 1 | |
| | RA608176L | POP RIVET-PLATE | 5320-99-941-7268 | | | | | | | 2 | 2 | |
| 19 | HYG2712 | LABEL-PAINT FINISH | | | | | | | | 1 | 1 | |
| 20 | P90-0612 | LABEL-AIR CLEANER | | | | | | | | 1 | 1 | |
| 21 | AYG3535 | LABEL-ENGAGE -WINCH/PTO | 9905-66-128-5845 | | | | | | | 1 | 1 | |
| 22 | HYG3406 | LABEL-PTO WARNING LIGHT | | | | | | | | 1 | 1 | |
| 23 | HYL9778 | LABEL-WARNING- COMPRESSOR | | | | | | | | 1 | 1 | |

CHANGE POINT

ARN INTRODUCTION

GROUP SGD/3 SHEET 3

24

WINCH OPERATING INSTRUCTIONS

1. SWITCH ENGINE OFF.
2. SET WINCH DOG CLUTCH LEVER VERTICAL (DOG CLUTCH DISENGAGED) AND REEL OUT CABLE.
3. ATTACH CABLE TO SELECTED ANCHOR POINT.
4. PUSH DOG CLUTCH LEVER OUTBOARD, TURNING WINCH DRUM BY HAND TO ENSURE DOG CLUTCH HAS ENGAGED.
5. SET TRANSFER CASE CONTROL LEVER IN ITS NEUTRAL POSITION.
6. START ENGINE, DEPRESS CLUTCH PEDAL AND SELECT A LOW FORWARD GEAR.
7. LIFT UP WINCH PTO LEVER IN SEATBASE TO ENGAGE WINCH DRIVE FACIA WARNING LIGHT WILL INDICATE PTO ENGAGED
8. RELEASE CLUTCH PEDAL TO WIND IN WINCH CABLE
9. DEPRESS CLUTCH PEDAL TO STOP WINCH
10. SELECT NEUTRAL GEAR IN GEARBOX AND PUSH DOWN PTO CONTROL TO DISENGAGE WINCH
11. DRIVE VEHICLE FORWARD TO SLACKEN CABLE
12. DISENGAGE WINCH DOG CLUTCH BY SETTING DOG CLUTCH LEVER VERTICALLY

**DO NOT TRAVEL WITH WINCH ENGAGED
DO NOT HAVE LESS THAN FOUR WRAPS OF CABLE ON THE DRUM**

SEE USER HANDBOOK FOR MORE DETAILED INSTRUCTIONS

CAUTION

TO PREVENT DAMAGE TO HIGH/LOW RANGE GEARS:

- 1) ONLY CHANGE RANGE WHEN VEHICLE IS STATIONARY
- 2) SELECT REQUIRED RANGE AND MAINTAIN EFFORT ON LEVER UNTIL VEHICLE IS IN MOTION

MOD. RECORD ASSY. CAT. No.

| | | | | |
|---|----|----|----|----|
| 1 | 6 | 11 | 16 | 21 |
| 2 | 7 | 12 | 17 | 22 |
| 3 | 8 | 13 | 18 | 23 |
| 4 | 9 | 14 | 19 | 24 |
| 5 | 10 | 15 | 20 | 25 |

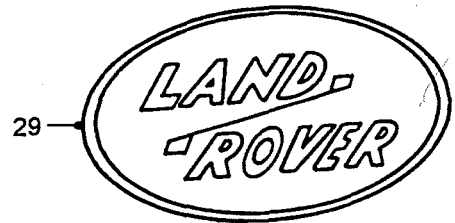
IMPORTANT

THE ENGINE SHOULD BE ALLOWED TO OPERATE AT IDLE SPEED FOR 5 TO 10 SECONDS IMMEDIATELY AFTER START-UP & BEFORE SHUT DOWN

CARE SHOULD BE TAKEN NOT TO OPERATE THE VEHICLE ON SEALED ROADS WITH THE TRANSFER BOX CONTROL SWITCH IN THE CROSS COUNTRY POSITION

THE TRANSFER BOX CONTROL SWITCH CAN BE ENGAGED OR DISENGAGED WHILE THE VEHICLE IS MOVING THE ACCELERATOR SHOULD BE RELEASED MOMENTARILY WHILE ACTIVATING THE SWITCH

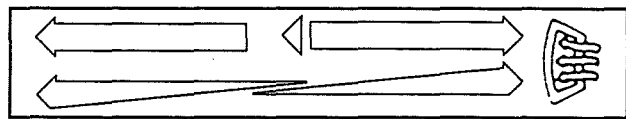
CHANGES FROM HIGH TO LOW RANGE OR FROM LOW BACK TO HIGH RANGE SHOULD ONLY BE MADE WHILE THE VEHICLE IS STATIONARY



LAND ROVER 110 6 x 6

| TYRE SIZE | RIM SIZE | |
|-------------------------------|-------------|------------|
| 7.50 R 16 LT (10 PLY) | 6.00 F x 16 | |
| LOAD CARRYING CAPACITY | FRONT AXLE | REAR AXLES |
| | 1900 | 4100 |
| COLD TYRE PRESSURES kPa (PSI) | 350(50) | 400(58) |

NOTE:- THE SUM OF THE LOAD CARRYING CAPACITIES OF THE TYRES FITTED TO ANY AXLE OR AXLE GROUP OF THIS VEHICLE SHALL NOT BE LESS THAN THE RELEVANT LOAD SHOWN ABOVE. THE TYRES FITTED TO THIS VEHICLE SHALL HAVE A SPEED CATEGORY AT LEAST EQUAL TO THE RECOMMENDED MAX. VEHICLE OPERATING SPEED 105 km/h.



BLACKOUT FUSES

| | |
|--------------------|----------|
| REDUCED HEADLIGHTS | -- BA -- |
| SIDE, TAIL CONVGY | -- BA -- |

IDENTIFICATION AND INSTRUCTION LABELS - AIR DEFENCE & CREW CAB

PERENTIE LAND ROVER PARTS LIST

SGD /3/3

IDENTIFICATION AND INSTRUCTION LABELS - AIR DEFENCE & CREW CAB ONLY

DERIVATIVE CODE

| <u>ITEM</u> | <u>PART NO.</u> | <u>DESCRIPTION</u> | <u>NSN</u> | <u>2185</u> | <u>2186</u> | <u>2208</u> | <u>2209</u> | <u>2210</u> | <u>2211</u> | <u>2212</u> | <u>2219</u> | <u>CP</u> |
|-------------|-----------------|----------------------------------|------------------|-------------|-------------|-------------|-------------|-------------|-------------|-------------|-------------|-----------|
| 24 | AYG3569 | PLATE-INSTRUCTION -WINCH | 9905-66-128-5846 | | | | | | | 1 | 1 | |
| 25 | HYG4063 | LABEL-WARNING -HIGH/LOW RANGE | 9905-66-128-5888 | | | | | | | 1 | 1 | |
| 26 | HYG2950 | PLATE-INSTRUCTION -ENGINE | 9905-66-128-5847 | | | | | | | 1 | 1 | |
| 27 | AYG8172 | LABEL-TYRE DATA | | | | | | | | 1 | 1 | |
| 28 | HYG6347 | PLATE-MODIFICATION RECORD | | | | | | | | 1 | 1 | |
| 29 | MXC6401 | DECAL-REAR -"LAND ROVER" | 2540-66-128-6103 | | | | | | | 1 | 1 | |
| 30 | HYG3510 | LABEL -HEATER CONTROLS | | | | | | | | 1 | 1 | |
| 31 | AYG9855 | LABEL-BLACKOUT FUSES | 9905-66-128-4968 | | | | | | | 1 | 1 | |
| | RA608176L | POP RIVET-PLATES | 5320-99-941-7268 | | | | | | | 12 | 12 | |

CHANGE POINT

ARN INTRODUCTION

GROUP SGD/4 SHEET 1

JACKING PROCEDURE HYG 1764

DUE TO THE FITMENT OF A TRANSMISSION HANDBRAKE TO THIS VEHICLE, THE JACKING PROCEDURE MUST BE FOLLOWED BEFORE JACKING ANY WHEEL CLEAR OF THE GROUND.

1. APPLY HANDBRAKE.
2. ENGAGE DIFFERENTIAL LOCK (WARNING LIGHT WILL ILLUMINATE).
3. SELECT 1ST GEAR — LOW RANGE.
4. CHOCK BOTH SIDES OF WHEEL FURTHEST FROM WHEEL BEING RAISED.
5. SLACKEN WHEEL NUTS (5).
6. FRONT WHEELS: POSITION JACK UNDER AXLE CASING IMMEDIATELY BELOW ROAD SPRING BETWEEN END FLANGE AND SUSPENSION BRACKET
REAR WHEELS: POSITION JACK UNDER AXLE CASING IMMEDIATELY BELOW ROAD SPRING NEAR DAMPER.
7. REPLACE WHEEL AND TIGHTEN NUTS.
8. LOWER VEHICLE.
9. TORQUE NUTS: 100-115 Nm (75-85 lb. ft.).
10. DISENGAGE DIFFERENTIAL LOCK BEFORE MOVING OFF.

2

| | |
|----------------------------|--------------------|
| TRUCK LONG RANGE PATROL | |
| LIGHT WINCH MC2 (PERENTIE) | |
| LIABILITY C/N | 73240/01 |
| MANUFACTURER | JRA LIMITED |
| MODEL No | LAND ROVER 110 6x6 |
| CAPO No | N 143757 |
| DELIVERED | |
| MANUFACTURER'S V.I.N. | |

↑

TOWING AND DYNO TEST DATA

FLAT AND LIFT TOWING — DISTANCE UNDER 200 KM

- ... SET GEARBOX AND TRANSFER CASE IN NEUTRAL.
- ... SET TRANSFER BOX CONTROL SWITCH IN "ON-ROAD" POSITION.
- ... ENSURE DIFF LOCK & 6WD WARNING LIGHTS ARE NOT ILLUMINATED.

FOR DISTANCE OVER 200 KM
REMOVE PROPELLER SHAFTS AND REPEAT ABOVE

DYNO TEST ON FRONT AXLE

- ... REMOVE PROPELLER SHAFTS FROM BOTH REAR AXLES
- ... SET TRANSFER BOX CONTROL SWITCH TO "CROSS COUNTRY"
- ... ENSURE DIFF LOCK WARNING LIGHT IS ILLUMINATED

HYG 2951

WARNING

DO NOT TOW VEHICLE
WITH WINCH ROPE

IN WINCH OUT
 CLUTCH

12 V
AYG 9788

THIS PLUG
MUST NOT
BE REMOVED
WHEN ENGINE
IS HOT

MRC 7253

SHIPPING DATA HYG 5783

The diagram shows a side view of a truck chassis. It indicates four tie-down points: two at the front labeled 'LIFTING & ALTERNATE TIEDOWN' and two at the rear labeled 'LIFTING & ALTERNATE TIEDOWN'. The center of gravity is marked with a '+' and labeled 'C of G'. There are also '+' symbols on the front and rear axles.

NET MASS

CIG

IDENTIFICATION AND INSTRUCTION LABELS — LRPV ONLY

PERENTIE LAND ROVER PARTS LIST

SGD /4/1 IDENTIFICATION AND INSTRUCTION LABELS - LRPV ONLY

DERIVATIVE CODE

| <u>ITEM</u> | <u>PART NO.</u> | <u>DESCRIPTION</u> | <u>NSN</u> | <u>DERIVATIVE CODE</u> | | | | | | | | |
|-------------|----------------------|--------------------------------------|------------------|------------------------|-------------|-------------|-------------|-------------|-------------|-------------|-------------|-----------|
| | | | | <u>2185</u> | <u>2186</u> | <u>2208</u> | <u>2209</u> | <u>2210</u> | <u>2211</u> | <u>2212</u> | <u>2219</u> | <u>CP</u> |
| 1 | HYG1764 ✓ | LABEL-JACKING | 9905-66-128-4965 | | | | | | | | | 1 |
| 2 | HYG3688 ✓ | PLATE-NOMENCLATURE | | | | | | | | | | 1 |
| 3 | HYL8784 | LABEL-WARNING-WINCH | 7690-66-128-5274 | | | | | | | | | 1 |
| 4 | HYG2951 ✓ | PLATE-TOWING & DYNO TEST | | | | | | | | | | 1 |
| 5 | AYG9788 ✓ | LABEL-WARNING-12V- TRAILER SOCKET | 9905-66-128-4967 | | | | | | | | | 1 |
| 6 | MRC7253 ✓ ERR 321 | LABEL-WARNING- FILLER PLUG | | | | | | | | | | 1 |
| 7 | HYG5783 ✓ | PLATE-SHIPPING DATA | | | | | | | | | | 1 |
| 8 | HYG493 ✓ | PLATE-C.O.G. | | | | | | | | | | 1 |
| | RA608176L | POP RIVET-PLATES | 5320-99-941-7268 | | | | | | | | | 16 |

CHANGE POINT

ARN INTRODUCTION

GROUP SGD/4 SHEET 2

INLINE FUSES
 (LOCATED UNDER ASHTRAY ON DASH) (LOCATED UNDER CENTRE DASH COVER)

| | |
|---|--|
| <p><u>TWIN FUEL TANK VALVE</u></p> <p><u>CIGAR LIGHTER</u></p> <p><u>SIREN (AMBULANCE ONLY)</u></p> | <p><u>INSTRUMENT DIMMER SWITCH</u></p> <p><u>INSPECTION LIGHT SOCKET</u></p> |
|---|--|

— 10A —

— 10A —

— 10A —

— 5A —

— 15A —

BYG911B — 9



IMPORTANT

THE ENGINE SHOULD BE ALLOWED TO OPERATE AT IDLE SPEED FOR 5 TO 10 SECONDS IMMEDIATELY AFTER START-UP & BEFORE SHUT DOWN.

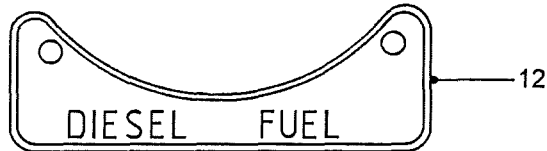
CARE SHOULD BE TAKEN NOT TO OPERATE THE VEHICLE ON SEALED ROADS WITH THE TRANSFER BOX CONTROL SWITCH IN THE CROSS COUNTRY POSITION.

THE TRANSFER BOX CONTROL SWITCH CAN BE ENGAGED OR DISENGAGED WHILE THE VEHICLE IS MOVING. THE ACCELERATOR SHOULD BE RELEASED MOMENTARILY WHILE ACTIVATING THE SWITCH.

CHANGES FROM HIGH TO LOW RANGE OR FROM LOW BACK TO HIGH RANGE SHOULD ONLY BE MADE WHILE THE VEHICLE IS STATIONARY.

HYG 2950

11



WARNING

DO NOT DRILL OR WELD
 ANY PART OF ROLL OVER
 PROTECTION STRUCTURE

HYG: 5684

14

BRAKE SYSTEM

WARNING; CLEAN BOTTLE FILLER CAP BEFORE REMOVING. USE ONLY BRAKE FLUID FROM A SEALED CONTAINER. THIS FLUID MUST MEET THE REQUIREMENTS OF FMV SS 116 DOT 3 OR SAE J1703

13

IDENTIFICATION AND INSTRUCTION LABELS — LRPV ONLY

PERENTIE LAND ROVER PARTS LIST

SGD /4/2 IDENTIFICATION AND INSTRUCTION LABELS - LRPV ONLY

DERIVATIVE CODE

| <u>ITEM</u> | <u>PART NO.</u> | <u>DESCRIPTION</u> | <u>NSN</u> | <u>2185</u> | <u>2186</u> | <u>2208</u> | <u>2209</u> | <u>2210</u> | <u>2211</u> | <u>2212</u> | <u>2219</u> | <u>CP</u> |
|-------------|-----------------|---------------------------------------|------------------|-------------|-------------|-------------|-------------|-------------|-------------|-------------|-------------|-----------|
| 9 | BYG9118 ✓ | LABEL-INLINE FUSES | 7690-66-128-6034 | | | | | | | | | 1 |
| 10 | MXC6397 ✓ | DECAL-GRILLE-"110" | 2540-66-128-6101 | | | | | | | | | 1 |
| 11 | HYG2950 ✓ | PLATE-INSTRUCTION -ENGINE | 9905-66-128-5847 | | | | | | | | | 1 |
| | RA608176L | POP RIVET-PLATE | 5320-99-941-7268 | | | | | | | | | 4 |
| 12 | R502951 ✓ | PLATE-INSTRUCTION-FUEL | 9905-66-128-4521 | | | | | | | | | 1 |
| 13 | HYJ0122 ✓ | LABEL-WARNING -BRAKE FLUID | 9905-66-128-5280 | | | | | | | | | 1 |
| 14 | HYG5684 ✓ | LABEL-WARNING -ROLLOVER PROTECTION | 7690-66-128-6114 | | | | | | | | | 1 |

CHANGE POINT

ARN INTRODUCTION

GROUP SGD/4 SHEET 3

15

| SERVICING DATA | | | | HYG 4888 |
|--|--------|-----------------|---------------|------------|
| COLD TYRE PRESSURES (kPa) | | HIGHWAY | CROSS COUNTRY | SAND |
| | | FRONT REAR | 350 350 | 275 275 |
| LUBRICATION — NORMAL OR TROPICAL TEMPERATURES | | | | |
| ENGINE | OMD115 | MASTER CYLS. | OX(AUST.)8 | |
| GEARBOX | OMD115 | MANUAL STG. BOX | OEP220 | |
| TRANSFER BOX | OMD115 | POWER STG. BOX | OX46 or OX47 | |
| AXLES | OEP220 | LUBE. NIPPLES | XG274 | |
| SWIVEL PIN H'SING | OEP220 | WINCH | OEP220 | |
| ELECTRICAL — 12 VOLT NEGATIVE TO EARTH SYSTEM | | | | |

Anzol REFINISH THIS VEHICLE WITH ANZOL PAINTS POLYURETHANE
 1021 736 3000
 450-2022
 OLIVE DRAB

16

THIS ENGINE COOLING SYSTEM IS PROTECTED WITH **ALFLOC 2001**
 THE LONG LIFE CORROSION INHIBITOR FOR ALUMINIUM ALLOY OR CAST IRON ENGINES
 ■ DO NOT USE SUBSTITUTES OR UNTREATED TOP UP WATER
 ■ RECOMMENDED DOSAGE RATE 16ml ALFLOC 2001 PER LITRE 10.75 (iml) COOLING SYSTEM CAPACITY
 Made By CATOLEUM PTY LTD.

17

NORMAL REDUCED AUX POWER DIMMER OFF MAX

HYG 3284

18

IN — OFF-ROAD
 OUT — CROSS COUNTRY

L.H. TANK R.H. TANK FUEL SELECTOR TRANSFER BOX CONTROL

HYG 2659

19

IDENTIFICATION AND INSTRUCTION LABELS — LRPV ONLY

PERENTIE LAND ROVER PARTS LIST

SGD /4/3 IDENTIFICATION AND INSTRUCTION LABELS - LRPV ONLY

DERIVATIVE CODE

| <u>ITEM</u> | <u>PART NO.</u> | <u>DESCRIPTION</u> | <u>NSN</u> | <u>2185</u> | <u>2186</u> | <u>2208</u> | <u>2209</u> | <u>2210</u> | <u>2211</u> | <u>2212</u> | <u>2219</u> | <u>CP</u> |
|-------------|-----------------|--------------------------------------|------------------|-------------|-------------|-------------|-------------|-------------|-------------|-------------|-------------|-----------|
| 15 | HYG4888 ✓ | PLATE-SERVICE DATA | | | | | | | | | | 1 |
| | RA608176L | POP RIVET-PLATE | 5320-99-941-7268 | | | | | | | | | 4 |
| 16 | HYG2712 ✓ | LABEL-PAINT FINISH | | | | | | | | | | 1 |
| 17 | MYH3266 ✓ | LABEL-CORROSION INHIBITOR | 9905-66-128-4969 | | | | | | | | | 1 |
| 18 | HYG4061 ✓ | PLATE-SWITCH FACING-AUX. POWER | 9905-66-128-6341 | | | | | | | | | 1 |
| 19 | HYG5705 ✓ | PLATE-SWITCH FACING-FUEL TRANSFER | 9905-66-128-6342 | | | | | | | | | 1 |

CHANGE POINT

ARN INTRODUCTION

GROUP SGD/4 SHEET 4

20

THIS VEHICLE WAS MANUFACTURED BY
JRA Limited
TO COMPLY WITH AUSTRALIAN DESIGN RULE Nos
1-2-4C-5B-6A-7-8-12
15-17-28A-30-35A

LANDROVER MILITARY 6X6
SALLDMAZ1BY-573882
4/89 G.V.M. 5600 KG SEATING CAP 3
THIS PLATE AFFIXED WITH THE APPROVAL OF THE
AUSTRALIAN MOTOR VEHICLE CERTIFICATION BOARD

21

Cyclopac Air Cleaner

Service Instructions (See Owner's Manual for detailed instructions)

1. Service element only when restriction reaches allowable limit.
2. Wipe inside of air cleaner with damp cloth.
3. Inspect gaskets, system, and tighten clamps.
4. Check replacement element for any damage.

| | | |
|-----------|----------------------------------|----------------|
| | DO NOT OVERSERVICE ELEMENT | |
| Donaldson | Air Cleaner | Main Element |
| Customer | | Safety Element |

Mfg by Donaldson Australia Pty Limited Whang, NSW.

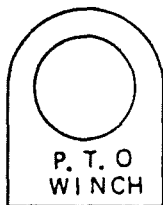
22

275L DIESEL FUEL TANKS 50L

MAIN TANKS AUX

| MOD. RECORD ASSY. CAT. No. | | | | |
|-------------------------------|----|----|----|----|
| | | | | |
| 1 | 6 | 11 | 16 | 21 |
| 2 | 7 | 12 | 17 | 22 |
| 3 | 8 | 13 | 18 | 23 |
| 4 | 9 | 14 | 19 | 24 |
| 5 | 10 | 15 | 20 | 25 |

23



24

WINCH
P.T.O.

LIFT
UP
TO
ENGAGE

PUSH
DOWN
TO
DISENGAGE

25

26

WINCH OPERATING INSTRUCTIONS

| | | |
|---|--|---|
| <ol style="list-style-type: none"> 1. SWITCH ENGINE OFF 2. SET WINCH DOG CLUTCH LEVER VERTICAL (DOG CLUTCH DISENGAGED) AND REEL OUT CABLE. 3. ATTACH CABLE TO SELECTED ANCHOR POINT. | <ol style="list-style-type: none"> 4. PUSH DOG CLUTCH LEVER OUTBOARD, TURNING WINCH DRUM BY HAND TO ENSURE DOG CLUTCH HAS ENGAGED. 5. SET TRANSFER CASE CONTROL LEVER IN ITS NEUTRAL POSITION. 6. START ENGINE, DEPRESS CLUTCH PEDAL AND SELECT A LOW FORWARD GEAR. | <ol style="list-style-type: none"> 7. LIFT UP WINCH PTO LEVER IN SEATBASE TO ENGAGE WINCH DRIVE FACIA WARNING LIGHT WILL INDICATE PTO ENGAGED 8. RELEASE CLUTCH PEDAL TO WIND IN WINCH CABLE 9. DEPRESS CLUTCH PEDAL TO STOP WINCH 10. SELECT NEUTRAL GEAR IN GEARBOX AND PUSH DOWN PTO CONTROL TO DISENGAGE WINCH 11. DRIVE VEHICLE FORWARD TO SLACKEN CABLE 12. DISENGAGE WINCH DOG CLUTCH BY SETTING DOG CLUTCH LEVER VERTICALLY |
|---|--|---|

DO NOT TRAVEL WITH WINCH ENGAGED
DO NOT HAVE LESS THAN FOUR WRAPS OF CABLE ON THE DRUM

SEE USER HANDBOOK FOR MORE DETAILED INSTRUCTIONS

IDENTIFICATION AND INSTRUCTION LABELS - LRPV ONLY

PERENTIE LAND ROVER PARTS LIST

SGD /4/4 IDENTIFICATION AND INSTRUCTION LABELS - LRPV ONLY

DERIVATIVE CODE

| <u>ITEM</u> | <u>PART NO.</u> | <u>DESCRIPTION</u> | <u>NSN</u> | <u>2185</u> | <u>2186</u> | <u>2208</u> | <u>2209</u> | <u>2210</u> | <u>2211</u> | <u>2212</u> | <u>2219</u> | <u>CP</u> |
|-------------|-----------------|--------------------------------------|------------------|-------------|-------------|-------------|-------------|-------------|-------------|-------------|-------------|-----------|
| 20 | MYH3362 ✓ | PLATE-ADR COMPLIANCE | | | | | | | | | | 1 |
| 21 | P90-0612 ✓ | LABEL-AIR CLEANER | | | | | | | | | | 1 |
| 22 | HYG4206 | PLATE-IDENTIFICATION- FUEL FILLER | | | | | | | | | | 1 |
| 23 | HYG6347 | PLATE-MODIFICATION RECORD | | | | | | | | | | 1 |
| 24 | HYG3406 ✓ | LABEL-PTO WARNING LIGHT | | | | | | | | | | 1 |
| 25 | AYG3535 ✓ | LABEL-ENGAGE -WINCH/PTO | 9905-66-128-5845 | | | | | | | | | 1 |
| 26 | AYG3569 ✓ | PLATE-INSTRUCTION -WINCH | 9905-66-128-5846 | | | | | | | | | 1 |
| | RA608176L | POP RIVET-PLATES | 5320-99-941-7268 | | | | | | | | | 8 |

CHANGE POINT

ARN INTRODUCTION

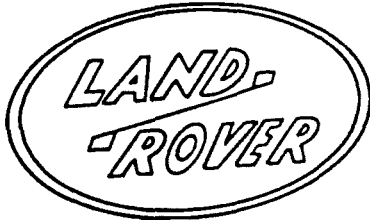
GROUP SGD/4 SHEET 5

| LAND ROVER 110 6 x 6 | | |
|--|--------------------------------|------------------------|
| TYRE SIZE | PLY/LOAD INDEX | RIM SIZE |
| 7.50 R 16 LT 7.50 16 LT LT 235/85 R 16 | 8/114 10/118 8/112 8/120 | 6.00 Fx16 6.00 Gx16 |
| LOAD CARRYING CAPACITY (kg) | | FRONT AXLE |
| | | 1900 |
| | | REAR AXLES |
| | | 4100 |
| COLD TYRE PRESSURES kPa (PSI) | | 350(50) |
| | | 400(58) |

NOTE:- THE SUM OF THE LOAD CARRYING CAPACITIES OF THE TYRES FITTED TO ANY AXLE OR AXLE GROUP OF THIS VEHICLE SHALL NOT BE LESS THAN THE RELEVANT LOAD SHOWN ABOVE. THE TYRES FITTED TO THIS VEHICLE SHALL HAVE A SPEED CATEGORY AT LEAST EQUAL TO THE RECOMMENDED MAX. VEHICLE OPERATING SPEED 105 km/h.

BVG5310

27



28



29

30

| FUSES | | | | | | | | | |
|-------------|------|-----------|---------|---------|---------|-------|-----|--------|-----|
| 1 DR | 2 DL | 3 DR | 4 DL | 5 FRONT | 6 REAR | 7 AUX | 8 | 9 STOP | 10 |
| 8A | 8A | 8A | 8A | 2.5A | 5A | 10A | 17A | 12A | 10A |
| 10A | 8A | 2.5A | 2.5A | 2.5A | 5A | 17A | 5A | 5A | 10A |
| 11 REV STOP | 12 | 13 CONVOY | 14 TAIL | 15 STOP | 16 HEAD | 17 | 18 | 19 | 20 |

CAUTION
TO PREVENT DAMAGE TO HIGH/LOW RANGE GEARS:
1) ONLY CHANGE RANGE WHEN VEHICLE IS STATIONARY
2) SELECT REQUIRED RANGE AND MAINTAIN EFFORT ON LEVER UNTIL VEHICLE IS IN MOTION

31



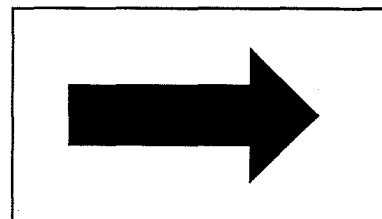
32



33



34



35

IDENTIFICATION AND INSTRUCTION LABELS - LRPV ONLY

PERENTIE LAND ROVER PARTS LIST

SGD /4/5 IDENTIFICATION AND INSTRUCTION LABELS - LRPV ONLY

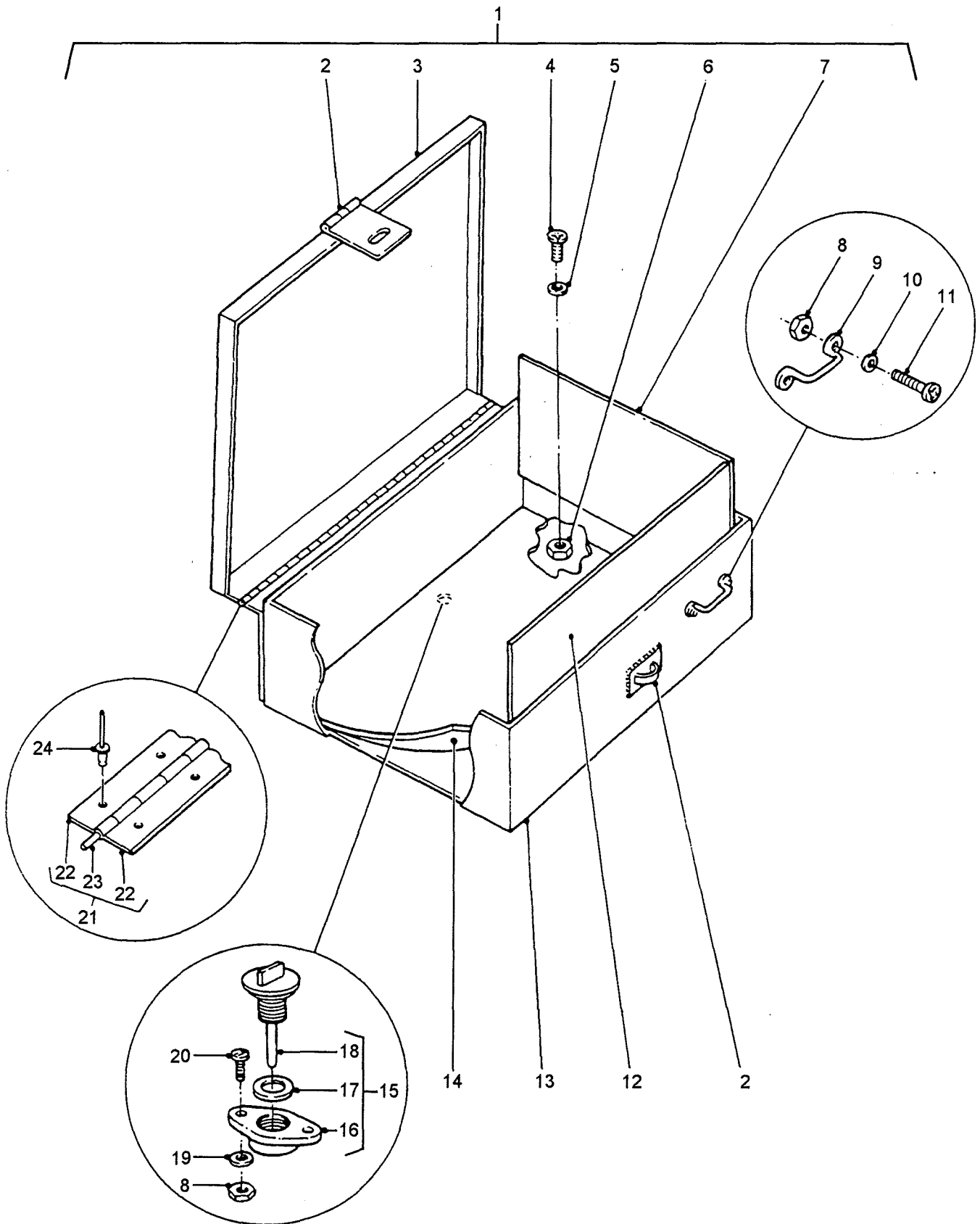
DERIVATIVE CODE

| <u>ITEM</u> | <u>PART NO.</u> | <u>DESCRIPTION</u> | <u>NSN</u> | <u>2185</u> | <u>2186</u> | <u>2208</u> | <u>2209</u> | <u>2210</u> | <u>2211</u> | <u>2212</u> | <u>2219</u> | <u>CP</u> |
|-------------|-----------------|---|------------------|-------------|-------------|-------------|-------------|-------------|-------------|-------------|-------------|-----------|
| 27 | BYG5310 ✓ | LABEL-TYRE DATA | | | | | | | | | | 1 |
| 28 | MXC6401 ✓ | DECAL-REAR -"LAND ROVER" | 2540-66-128-6103 | | | | | | | | | 1 |
| | MXC6402 ✓ | BADGE-GRILLE | 2540-66-128-6100 | | | | | | | | | 1 |
| 29 | HYL9778 | LABEL-WARNING- COMPRESSOR | | | | | | | | | | 1 |
| 30 | HYG4063 ✓ | LABEL-WARNING -HIGH/LOW RANGE | 9905-66-128-5888 | | | | | | | | | 1 |
| 31 | PRC8252 ✓ | LABEL-FUSE IDENTIFICATION- BLADE TYPE | 9905-66-128-5961 | | | | | | | | | 1 |
| 32 | MRC3267 ✓ | LABEL-CONSTRUCTION | | | | | | | | | | 1 |
| 33 | MTC5143 ✓ | LABEL-CONSTRUCTION | | | | | | | | | | 1 |
| 34 | R395893 ✓ | LABEL-CONSTRUCTION | | | | | | | | | | 1 |
| 35 | MYH3604 | LABEL-BONNET RELEASE | | | | | | | | | | 1 |

CHANGE POINT

ARN INTRODUCTION

GROUP SGE



**SECURITY LOCKER ASSEMBLY
- LRPV ONLY**

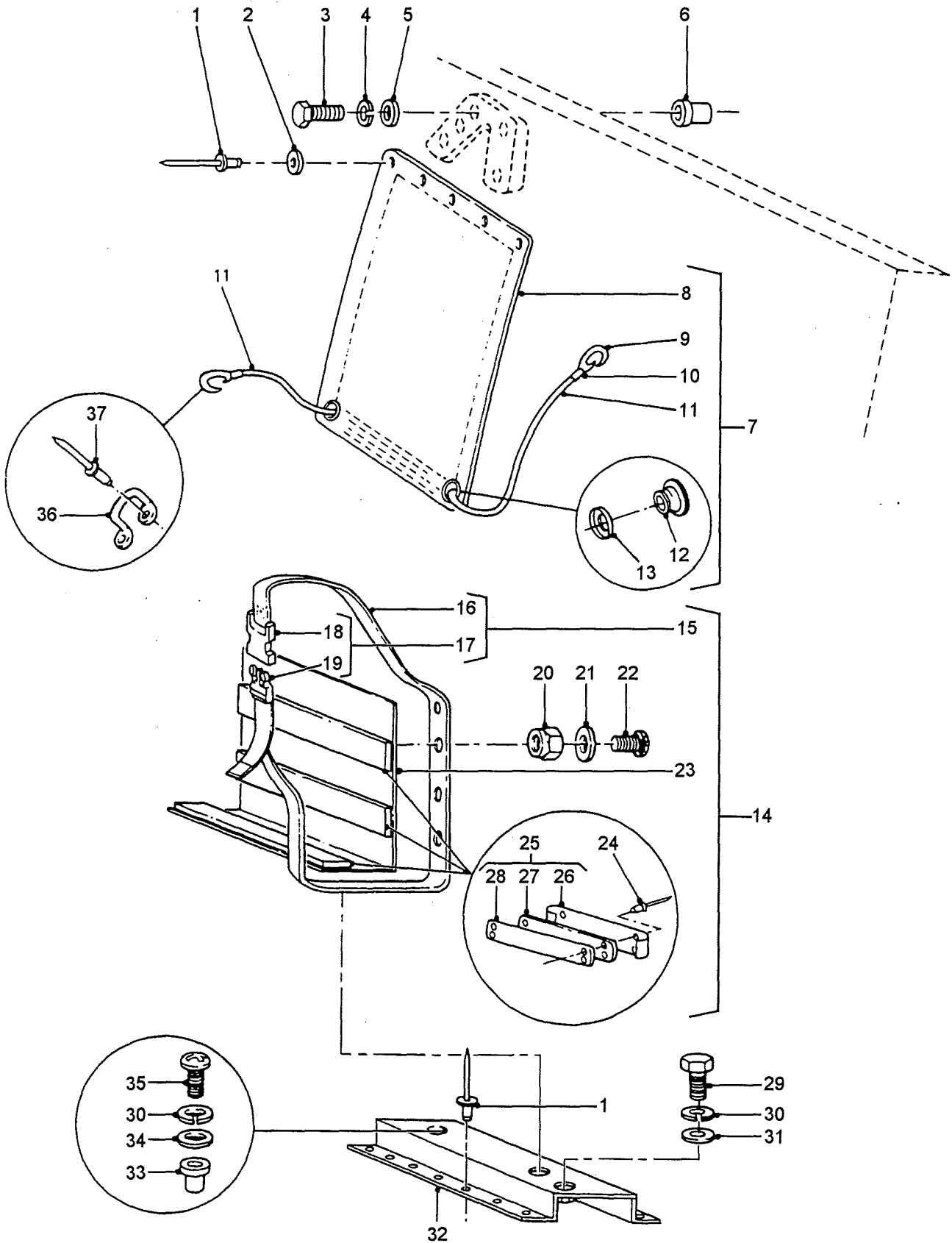
PERENTIE LAND ROVER PARTS LIST

SGF /1/1 RADIO MOUNTING BOX, COVER & WIRE CUTTER BLADE STOWAGE - LRPV ONLY

DERIVATIVE CODE

| <u>ITEM</u> | <u>PART NO.</u> | <u>DESCRIPTION</u> | <u>NSN</u> | <u>2185</u> | <u>2186</u> | <u>2208</u> | <u>2209</u> | <u>2210</u> | <u>2211</u> | <u>2212</u> | <u>2219</u> | <u>CP</u> |
|-------------|-----------------|---------------------|------------------|-------------|-------------|-------------|-------------|-------------|-------------|-------------|-------------|-----------|
| 1 | RU612373L | POP RIVET | 5320-99-120-9002 | | | | | | | | 5 | |
| 2 | WC105001L | WASHER-PLAIN | 5310-99-122-3032 | | | | | | | | 5 | |
| 3 | FS108251 | SCREW | 5305-99-122-5367 | | | | | | | | 2 | |
| 4 | WL108001L | WASHER-LOCK | 5310-99-138-9227 | | | | | | | | 2 | |
| 5 | WA108051L | WASHER-PLAIN | 5310-99-122-6475 | | | | | | | | 2 | |
| 6 | MM108301 | RIVNUT | 5310-99-772-5133 | | | | | | | | 2 | |
| 7 | HYG4076 | COVER-RADIO | 2590-66-128-6346 | | | | | | | | 1 | |
| 8 | NSS | | | | | | | | | | | |
| 9 | NSS | | | | | | | | | | | |
| 10 | NSS | | | | | | | | | | | |
| 11 | NSS | | | | | | | | | | | |
| 12 | NSS | | | | | | | | | | | |
| 13 | NSS | | | | | | | | | | | |
| 14 | HYG5675 | MOUNTING ASSY-RADIO | | | | | | | | | 1 | |
| 15 | HYG5674 | STRAP-MOUNTING | 5340-66-128-6347 | | | | | | | | 3 | |
| 16 | NSS | | | | | | | | | | | |
| 17 | NSS | | | | | | | | | | | |
| 18 | NSS | | | | | | | | | | | |
| 19 | NSS | | | | | | | | | | | |
| 20 | NY104041L | NUT-NYLOC | 5310-99-119-3324 | | | | | | | | 6 | |
| 21 | WC104001L | WASHER-PLAIN | | | | | | | | | 12 | |
| 22 | SE104121L | SCREW | | | | | | | | | 8 | |
| 23 | HYG5668 | BRACKET-RADIO MOUNT | | | | | | | | | 1 | |
| 24 | RA612123L | POP RIVET | | | | | | | | | 12 | |
| 25 | HYG5669 | PAD | | | | | | | | | 3 | |
| 26 | NSS | | | | | | | | | | | |
| 27 | NSS | | | | | | | | | | | |
| 28 | NSS | | | | | | | | | | | |
| 29 | FS106201 | SCREW | 5305-99-122-5361 | | | | | | | | 1 | |

GROUP SGF



RADIO MOUNTING BOX, COVER & WIRE CUTTER BLADE STOWAGE - LRPV ONLY

PERENTIE LAND ROVER PARTS LIST

SGF /1/1

RADIO MOUNTING BOX, COVER & WIRE CUTTER BLADE STOWAGE - LRPV ONLY

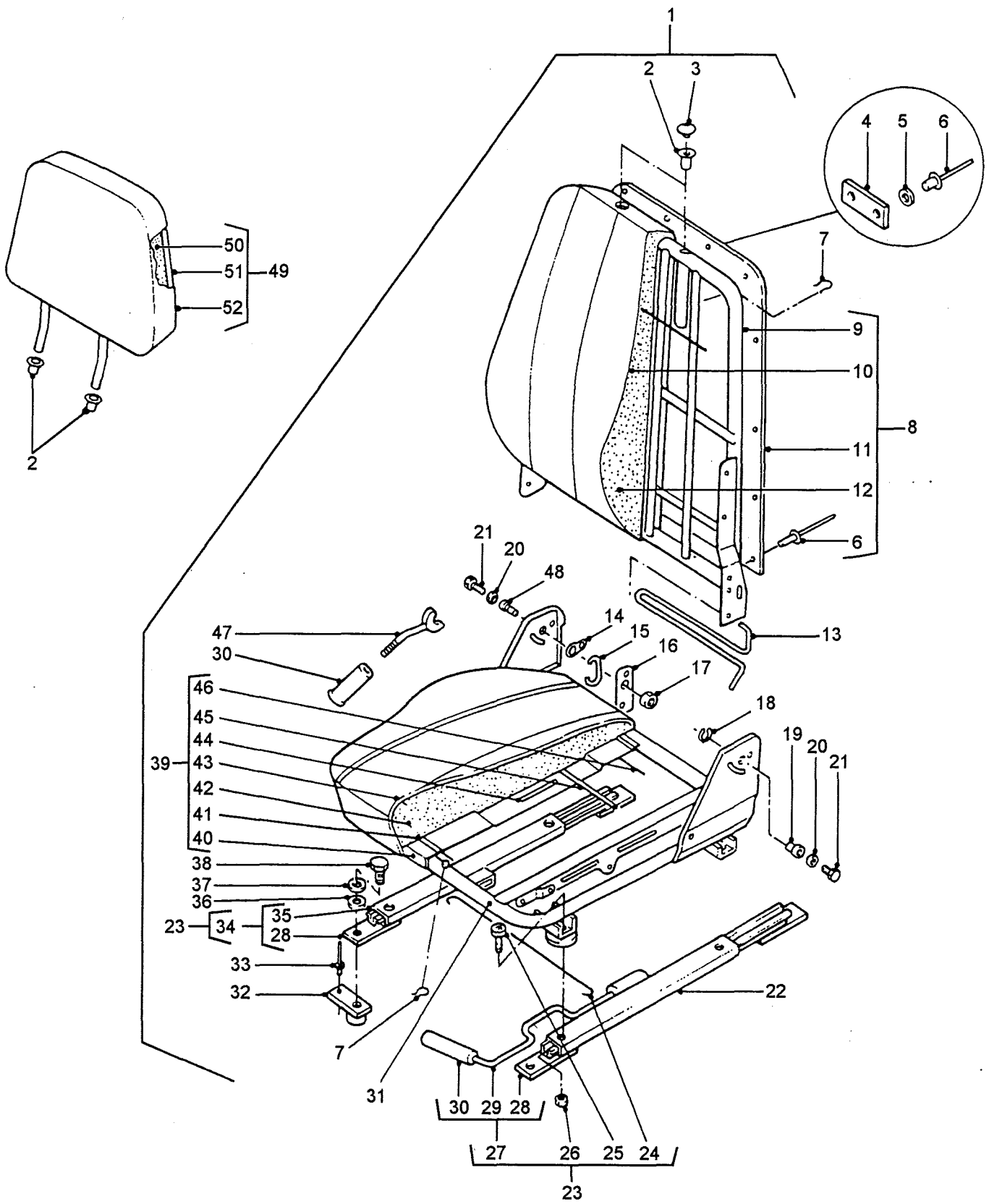
DERIVATIVE CODE

| <u>ITEM</u> | <u>PART NO.</u> | <u>DESCRIPTION</u> | <u>NSN</u> | <u>2185</u> | <u>2186</u> | <u>2208</u> | <u>2209</u> | <u>2210</u> | <u>2211</u> | <u>2212</u> | <u>2219</u> | <u>CP</u> |
|-------------|-----------------|---------------------|------------------|-------------|-------------|-------------|-------------|-------------|-------------|-------------|-------------|-----------|
| 30 | WL106001L | WASHER-LOCK | 5310-99-137-9232 | | | | | | | | | 5 |
| 31 | WA106041L | WASHER-PLAIN | 5310-66-098-4440 | | | | | | | | | 1 |
| 32 | HYG3465 | BRACKET-RADIO MOUNT | | | | | | | | | | 1 |
| 33 | MM106301 | RIVNUT | 5310-66-128-5543 | | | | | | | | | 4 |
| 34 | WC106041L | WASHER-PLAIN | 5310-99-122-3411 | | | | | | | | | 4 |
| 35 | SE106201L | SCREW | 5305-99-796-7536 | | | | | | | | | 4 |
| 36 | R345699 | HOOK-ROPE | 2510-99-820-7552 | | | | | | | | | 2 |
| 37 | RA612253L | POP RIVET | 5320-66-128-5117 | | | | | | | | | 4 |

CHANGE POINT

ARN INTRODUCTION

GROUP SH/1



**FRONT SEATS (ISRI)
- EXCEPT LRPV**

92

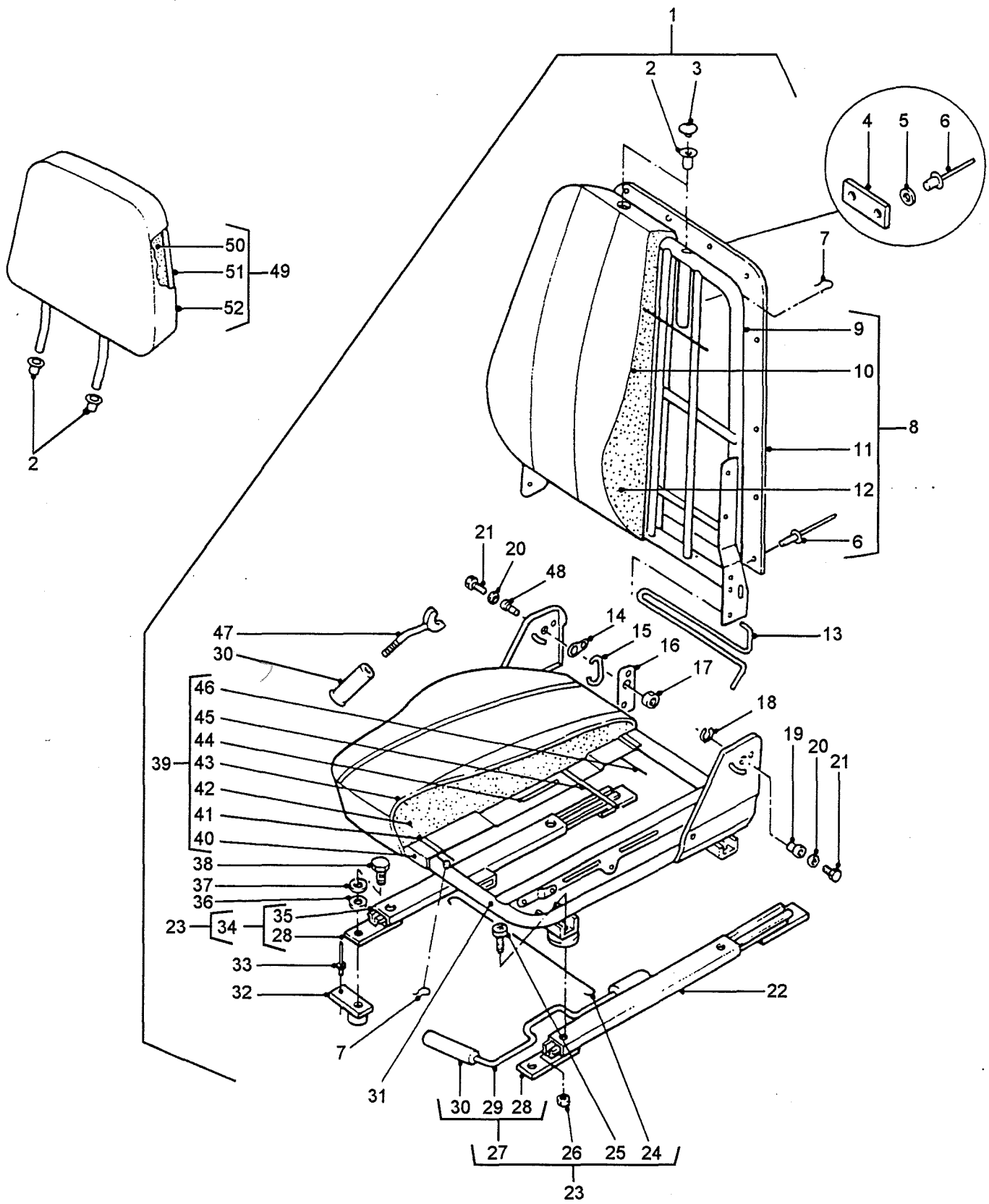
PERENTIE LAND ROVER PARTS LIST

SH /1/1 FRONT SEATS (ISRI) - EXCEPT LRPV

DERIVATIVE CODE

| ITEM | PART NO. | DESCRIPTION | NSN | DERIVATIVE CODE | | | | | | | |
|------|-----------|---------------------------|------------------|-----------------|------|------|------|------|------|------|------|
| | | | | 2185 | 2186 | 2208 | 2209 | 2210 | 2211 | 2212 | 2219 |
| 1 | HYG4608 | SEAT-FRONT-RH | 2540-66-128-4742 | 1 | 1 | 1 | 1 | 1 | | 1 | 1 |
| | HYG4609 | SEAT-FRONT-LH | 2540-66-128-4731 | 1 | 1 | 1 | 1 | 1 | | 1 | 1 |
| | HYG4607 | SEAT-FRONT-CENTRE | 2540-66-128-5787 | 1 | 1 | 1 | 1 | 1 | | 1 | |
| 2 | HYM465 | BUSH-GUIDE | | 6 | 6 | 6 | 6 | 6 | | 6 | 4 |
| 3 | HYM466 | PLUG-GUIDE | | 6 | 6 | 6 | 6 | 6 | | 6 | 4 |
| 4 | MRC5016 | BUFFER-RUBBER | | 1 | 1 | 1 | 1 | 1 | | 1 | |
| 5 | WC105001L | WASHER-PLAIN | 5310-99-122-3032 | 2 | 2 | 2 | 2 | 2 | | 2 | |
| 6 | R78248 | POP RIVET | 5320-99-970-3518 | 38 | 38 | 38 | 38 | 38 | | 38 | 24 |
| 7 | HYL9613 | CLIP-HAIRPIN | 5340-66-128-5942 | 9 | 9 | 9 | 9 | 9 | | 9 | 6 |
| 8 | HYL8690 | SQUAB ASSY-RH | 2540-66-128-4734 | 1 | 1 | 1 | 1 | 1 | | 1 | 1 |
| | HYL8691 | SQUAB ASSY-LH | 2540-66-128-4742 | 1 | 1 | 1 | 1 | 1 | | 1 | 1 |
| | HYL8902 | SQUAB ASSY-CENTRE | | 1 | 1 | 1 | 1 | 1 | | 1 | |
| 9 | NSS | | | | | | | | | | |
| 10 | NSS | | | | | | | | | | |
| 11 | NSS | | | | | | | | | | |
| 12 | NSS | | | | | | | | | | |
| 13 | HYL8699 | BAR-TORSION-RH | | 1 | 1 | 1 | 1 | 1 | | 1 | 1 |
| | HYL8698 | BAR-TORSION-LH & CENTRE | | 2 | 2 | 2 | 2 | 2 | | 2 | 1 |
| 14 | HYL8681 | LINK | | 3 | 3 | 3 | 3 | 3 | | 3 | 2 |
| 15 | HYL8682 | SPRING-BOW | | 3 | 3 | 3 | 3 | 3 | | 3 | 2 |
| 16 | HYL8683 | LEVER-TOOTHED-RH | | 1 | 1 | 1 | 1 | 1 | | 1 | 1 |
| | HYL8684 | LEVER-TOOTHED-LH & CENTRE | | 2 | 2 | 2 | 2 | 2 | | 2 | 1 |
| 17 | HYL8685 | NUT | 5310-66-128-4909 | 3 | 3 | 3 | 3 | 3 | | 3 | 2 |
| 18 | HYL8700 | CIRCLIP | 5365-66-128-4910 | 3 | 3 | 3 | 3 | 3 | | 3 | 2 |
| 19 | HYL8679 | BUSH | 3120-66-128-4913 | 3 | 3 | 3 | 3 | 3 | | 3 | 2 |
| 20 | HYL8694 | WASHER-LOCK | 5310-66-128-4911 | 6 | 6 | 6 | 6 | 6 | | 6 | 4 |
| 21 | HYL8680 | BOLT | 5306-66-128-4912 | 6 | 6 | 6 | 6 | 6 | | 6 | 4 |

GROUP SH/1



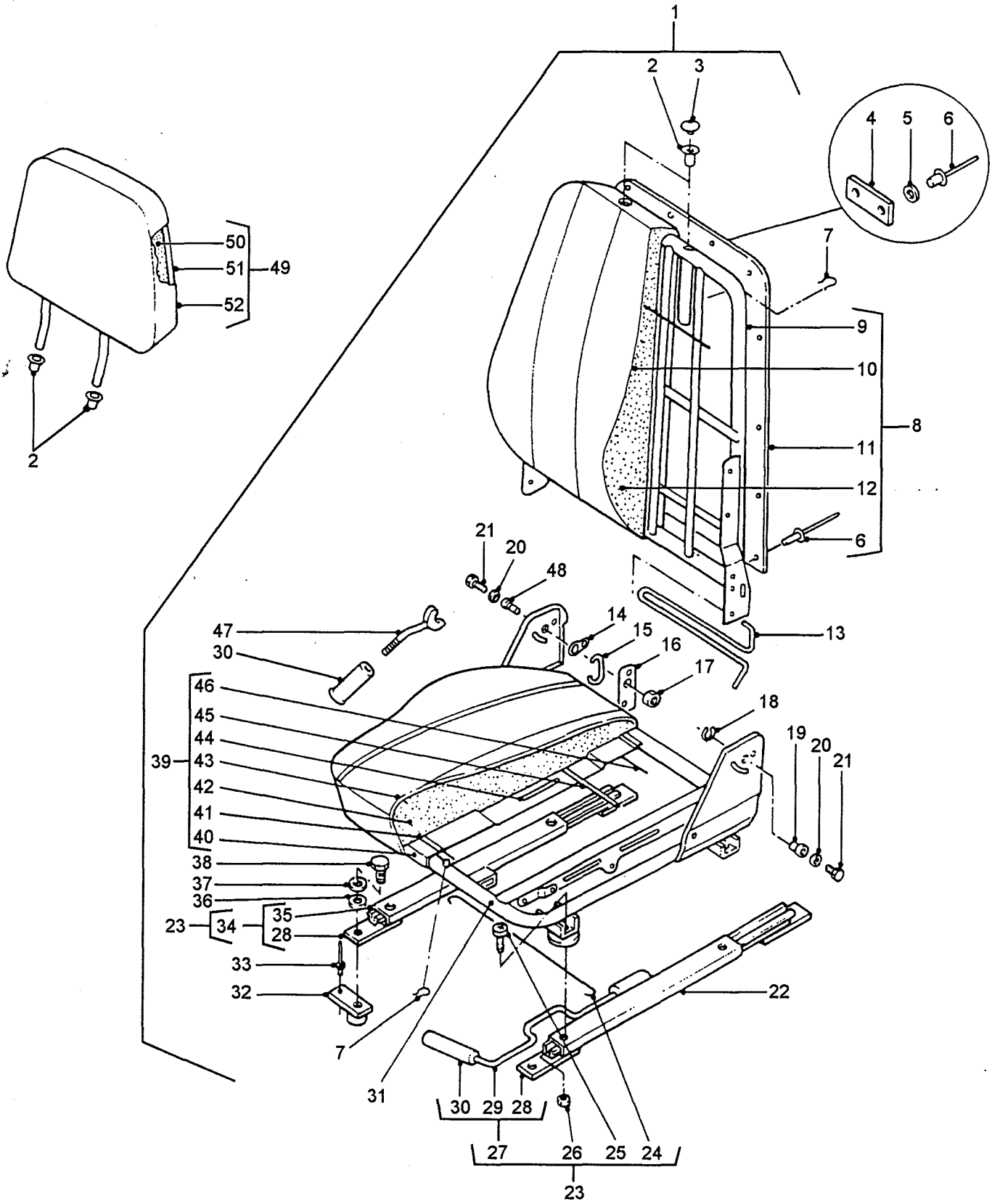
**FRONT SEATS (ISRI)
- EXCEPT LRPV**

PERENTIE LAND ROVER PARTS LIST

SH /1/1 FRONT SEATS (ISRI) - EXCEPT LRPV

| ITEM | PART NO. | DESCRIPTION | NSN | DERIVATIVE CODE | | | | | | | CP |
|------|-----------|--------------------------------|------------------|-----------------|------|------|------|------|------|------|----|
| | | | | 2185 | 2186 | 2208 | 2209 | 2210 | 2211 | 2212 | |
| 22 | HYG4165 | SPACER-SEAT TO SEATBASE | | 6 | 6 | 6 | 6 | 6 | | 6 | 4 |
| 23 | HYM456 | KIT-SEAT SLIDE-RH | 2540-66-128-6187 | 1 | 1 | 1 | 1 | 1 | | 1 | 1 |
| | HYM455 | KIT-SEAT SLIDE-LH & CENTRE | 2540-66-128-6188 | 2 | 2 | 2 | 2 | 2 | | 2 | 1 |
| 24 | HYL9612 | WIRE-CONNECTING | | 3 | 3 | 3 | 3 | 3 | | 3 | 2 |
| 25 | HYL8697 | SCREW-SEAT SLIDE KIT-35MM LONG | 5305-66-128-4917 | 6 | 6 | 6 | 6 | 6 | | 6 | 4 |
| | HYL8695 | SCREW-SEAT SLIDE KIT-20MM LONG | 5305-66-128-4919 | 6 | 6 | 6 | 6 | 6 | | 6 | 4 |
| 26 | HYL8696 | NUT-NYLOC | 5310-66-128-4918 | 12 | 12 | 12 | 12 | 12 | | 12 | 8 |
| 27 | NSS | | | | | | | | | | |
| 28 | NSS | | | | | | | | | | |
| 29 | NSS | | | | | | | | | | |
| 30 | HYL8676 | KNOB-RECLINER | 2540-66-128-5031 | 3 | 3 | 3 | 3 | 3 | | 3 | 2 |
| 31 | HYL9615 | FRAME ASSY-CUSHION-RH | | 1 | 1 | 1 | 1 | 1 | | 1 | 1 |
| | HYL9614 | FRAME ASSY-CUSHION-LH | | 1 | 1 | 1 | 1 | 1 | | 1 | 1 |
| | HYL9616 | FRAME ASSY-CUSHION-CENTRE | | 1 | 1 | 1 | 1 | 1 | | 1 | |
| 32 | MUC7947 | BUSH ASSY-SEAT | | 12 | 12 | 12 | 12 | 12 | | 12 | 8 |
| 33 | RU608313L | POP RIVET | | 12 | 12 | 12 | 12 | 12 | | 12 | 8 |
| 34 | NSS | | | | | | | | | | |
| 35 | NSS | | | | | | | | | | |
| 36 | WA108051L | WASHER-PLAIN | 5310-99-122-6475 | 12 | 12 | 12 | 12 | 12 | | 12 | 8 |
| 37 | WL108001L | WASHER-LOCK | 5310-99-138-9227 | 12 | 12 | 12 | 12 | 12 | | 12 | 8 |
| 38 | FS108301 | SCREW | 5305-99-122-5368 | 12 | 12 | 12 | 12 | 12 | | 12 | 8 |
| 39 | HYL8692 | CUSHION ASSY-RH & LH | 2540-66-128-4748 | 2 | 2 | 2 | 2 | 2 | | 2 | 2 |
| | HYL8903 | CUSHION ASSY-CENTRE | | 1 | 1 | 1 | 1 | 1 | | 1 | |
| 40 | NSS | | | | | | | | | | |
| 41 | NSS | | | | | | | | | | |

GROUP SH/1



**FRONT SEATS (ISRI)
- EXCEPT LRPV**

PERENTIE LAND ROVER PARTS LIST

SH /1/1

FRONT SEATS (ISRI) - EXCEPT LRPV

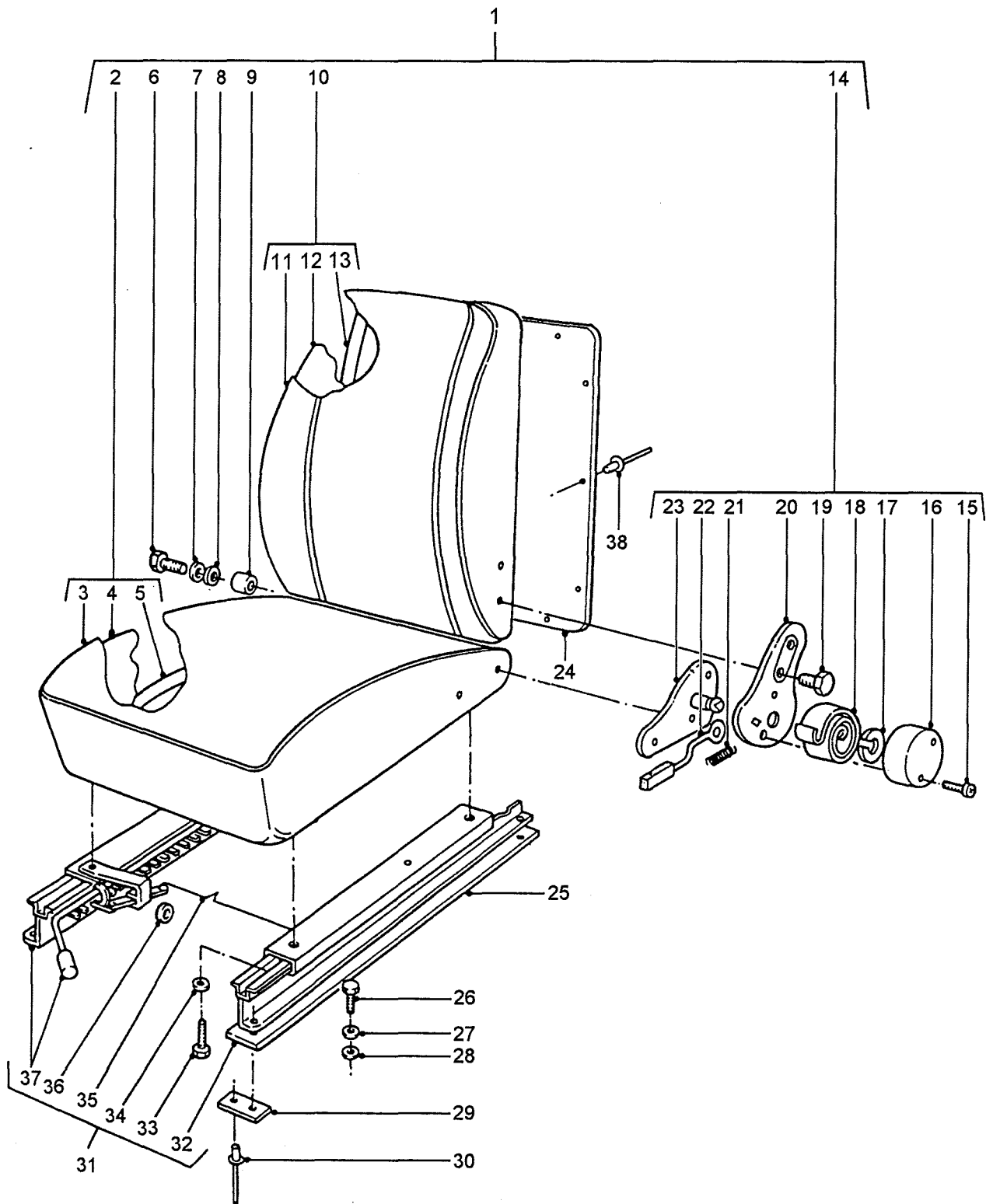
DERIVATIVE CODE

| <u>ITEM</u> | <u>PART NO.</u> | <u>DESCRIPTION</u> | <u>NSN</u> | <u>2185</u> | <u>2186</u> | <u>2208</u> | <u>2209</u> | <u>2210</u> | <u>2211</u> | <u>2212</u> | <u>2219</u> | <u>CP</u> |
|-------------|-----------------|---------------------|------------------|-------------|-------------|-------------|-------------|-------------|-------------|-------------|-------------|-----------|
| 42 | NSS | | | | | | | | | | | |
| 43 | NSS | | | | | | | | | | | |
| 44 | NSS | | | | | | | | | | | |
| 45 | NSS | | | | | | | | | | | |
| 46 | NSS | | | | | | | | | | | |
| 47 | HYL8678 | LEVER-RH | 2540-66-128-4769 | 1 | 1 | 1 | 1 | 1 | | 1 | 1 | |
| | HYL8677 | LEVER-LH & CENTRE | 2540-66-128-4772 | 2 | 2 | 2 | 2 | 2 | | 2 | 1 | |
| 48 | HYL8686 | BOLT-CONNECTING | 5306-66-128-4920 | 3 | 3 | 3 | 3 | 3 | | 3 | 2 | |
| 49 | HYG5671 | HEAD RESTRAINT ASSY | | | | | | | | | | 2 |
| 50 | NSS | | | | | | | | | | | |
| 51 | NSS | | | | | | | | | | | |
| 52 | NSS | | | | | | | | | | | |

CHANGE POINT

ARN INTRODUCTION

GROUP SH/2



**FRONT SEATS (STRATOS)
- EXCEPT LRPV AND CREW CAB**

PERENTIE LAND ROVER PARTS LIST

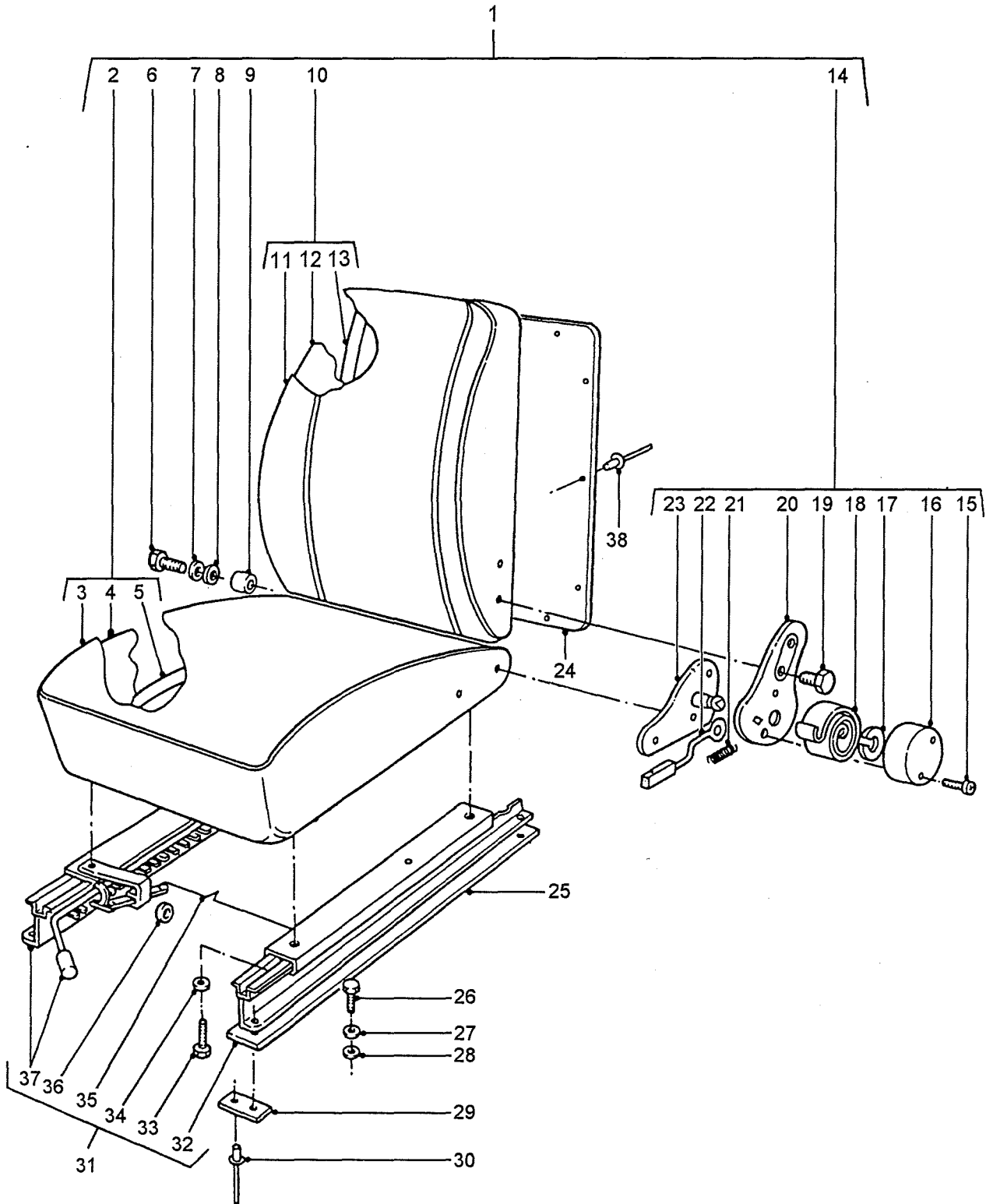
SH /2/1

FRONT SEATS (STRATOS) - EXCEPT LRPV AND CREW CAB

DERIVATIVE CODE

| ITEM | PART NO. | DESCRIPTION | NSN | 2185 | 2186 | 2208 | 2209 | 2210 | 2211 | 2212 | 2219 | CP |
|------|----------|------------------------|------------------|------|------|------|------|------|------|------|------|----|
| 1 | HYG4936 | SEAT ASSY-RH | 2540-66-128-6164 | 1 | 1 | 1 | 1 | 1 | | | 1 | |
| | HYG4935 | SEAT ASSY-LH | 2540-66-128-6162 | 1 | 1 | 1 | 1 | 1 | | | 1 | |
| | HYG4934 | SEAT ASSY-CENTRE | 2540-66-128-6161 | 1 | 1 | 1 | 1 | 1 | | | 1 | |
| 2 | HYM421 | CUSHION ASSY-RH | 2540-66-128-6169 | 1 | 1 | 1 | 1 | 1 | | | 1 | |
| | HYM422 | CUSHION ASSY-LH | 2540-66-128-6168 | 1 | 1 | 1 | 1 | 1 | | | 1 | |
| | HYM423 | CUSHION ASSY-CENTRE | | 1 | 1 | 1 | 1 | 1 | | | 1 | |
| 3 | NSS | | | | | | | | | | | |
| 4 | NSS | | | | | | | | | | | |
| 5 | NSS | | | | | | | | | | | |
| 6 | HYM429 | SCREW | 5305-66-128-6167 | 3 | 3 | 3 | 3 | 3 | | | 3 | |
| 7 | HYM445 | WASHER-PLAIN | 5310-66-128-6166 | 3 | 3 | 3 | 3 | 3 | | | 3 | |
| 8 | HYM446 | WASHER-NYLON | 5310-66-128-6165 | 3 | 3 | 3 | 3 | 3 | | | 3 | |
| 9 | HYM430 | BUSH | 3120-66-128-6174 | 3 | 3 | 3 | 3 | 3 | | | 3 | |
| 10 | HYM415 | SQUAB ASSY-RH | 2540-66-128-6176 | 1 | 1 | 1 | 1 | 1 | | | 1 | |
| | HYM416 | SQUAB ASSY-LH | 2540-66-128-6177 | 1 | 1 | 1 | 1 | 1 | | | 1 | |
| | HYM417 | SQUAB ASSY-CENTRE | | 1 | 1 | 1 | 1 | 1 | | | 1 | |
| 11 | NSS | | | | | | | | | | | |
| 12 | NSS | | | | | | | | | | | |
| 13 | NSS | | | | | | | | | | | |
| 14 | HYM418 | RECLINER ASSY-RH - NSP | 2540-66-128-6171 | 1 | 1 | 1 | 1 | 1 | | | 1 | |
| | HYM419 | RECLINER ASSY-LH - NSP | 2540-66-128-6170 | 1 | 1 | 1 | 1 | 1 | | | 1 | |
| 15 | SE104251 | SCREW | | 4 | 4 | 4 | 4 | 4 | | | 4 | |
| 16 | NSS | | | | | | | | | | | |
| 17 | NSS | | | | | | | | | | | |
| 18 | NSS | | | | | | | | | | | |
| 19 | HYM427 | SCREW | 5305-66-128-6179 | 4 | 4 | 4 | 4 | 4 | | | 4 | |
| 20 | NSS | | | | | | | | | | | |
| 21 | NSS | | | | | | | | | | | |
| 22 | NSS | | | | | | | | | | | |

GROUP SH/2



**FRONT SEATS (STRATOS)
- EXCEPT LRPV AND CREW CAB**

PERENTIE LAND ROVER PARTS LIST

SH /2/1

FRONT SEATS (STRATOS) - EXCEPT LRPV AND CREW CAB

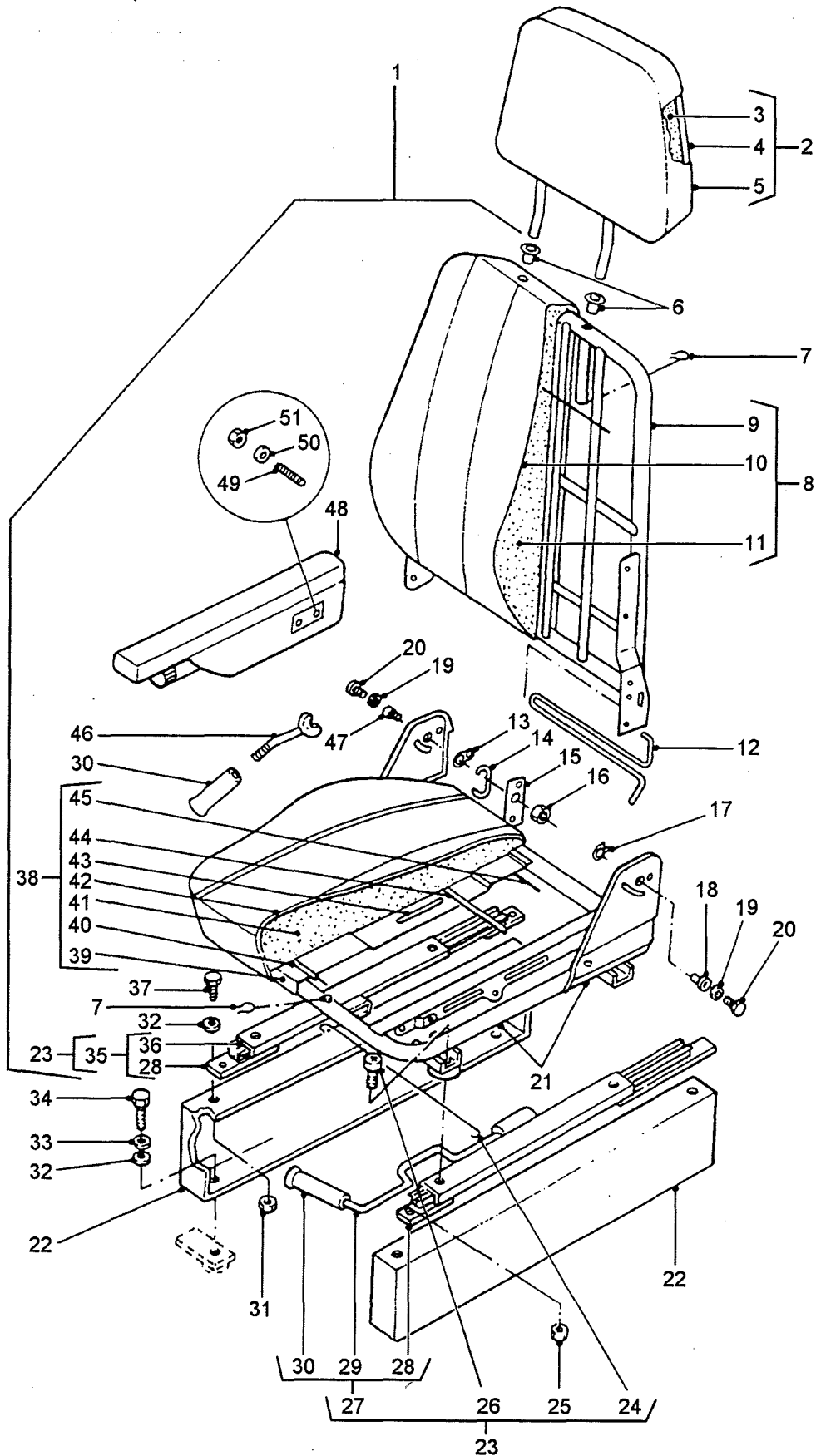
DERIVATIVE CODE

| ITEM | PART NO. | DESCRIPTION | NSN | 2185 | 2186 | 2208 | 2209 | 2210 | 2211 | 2212 | 2219 | CP |
|------|-----------|-------------------------------------|------------------|------|------|------|------|------|------|------|------|----|
| 23 | NSS | | | | | | | | | | | |
| 24 | NSS | | | | | | | | | | | |
| 25 | HYG4165 | SPACER-SEAT TO SEATBASE | | 6 | 6 | 6 | 6 | 6 | | | 6 | |
| 26 | FS108301 | SCREW | 5305-99-122-5368 | 12 | 12 | 12 | 12 | 12 | | | 12 | |
| 27 | WL108001L | WASHER-LOCK | 5310-99-138-9227 | 12 | 12 | 12 | 12 | 12 | | | 12 | |
| 28 | WA108051L | WASHER-PLAIN | 5310-99-122-6475 | 12 | 12 | 12 | 12 | 12 | | | 12 | |
| 29 | MUC7947 | SPACER-SEAT RUNNERS | | 12 | 12 | 12 | 12 | 12 | | | 12 | |
| 30 | RU608313L | POP RIVET | | 12 | 12 | 12 | 12 | 12 | | | 12 | |
| 31 | HYM424 | KIT-SLIDE-RH <i>SCRT</i> | 2540-66-128-6173 | 1 | 1 | 1 | 1 | 1 | | | 1 | |
| | HYM425 | KIT-SLIDE-LH & CENTRE - <i>SEAT</i> | 2540-66-128-6172 | 2 | 2 | 2 | 2 | 2 | | | 2 | |
| 32 | NSS | | | | | | | | | | | |
| 33 | HYM428 | SCREW | 5305-66-128-6178 | 12 | 12 | 12 | 12 | 12 | | | 12 | |
| 34 | NSS | | | | | | | | | | | |
| 35 | HYM426 | WIRE-SLIDE CONNECTOR | | 3 | 3 | 3 | 3 | 3 | | | 3 | |
| 36 | NSS | | | | | | | | | | | |
| 37 | NSS | | | | | | | | | | | |
| 38 | R78248 | POP RIVET | 5320-99-970-3518 | 36 | 36 | 36 | 36 | 36 | | | 36 | |
| | HYM420 | KIT-SIDE PLATES-CENTRE SEAT | | 1 | 1 | 1 | 1 | 1 | | | 1 | |

CHA E POINT

ARN INTRODUCTION

GROUP SH/3



FRONT SEATS - LRPV ONLY

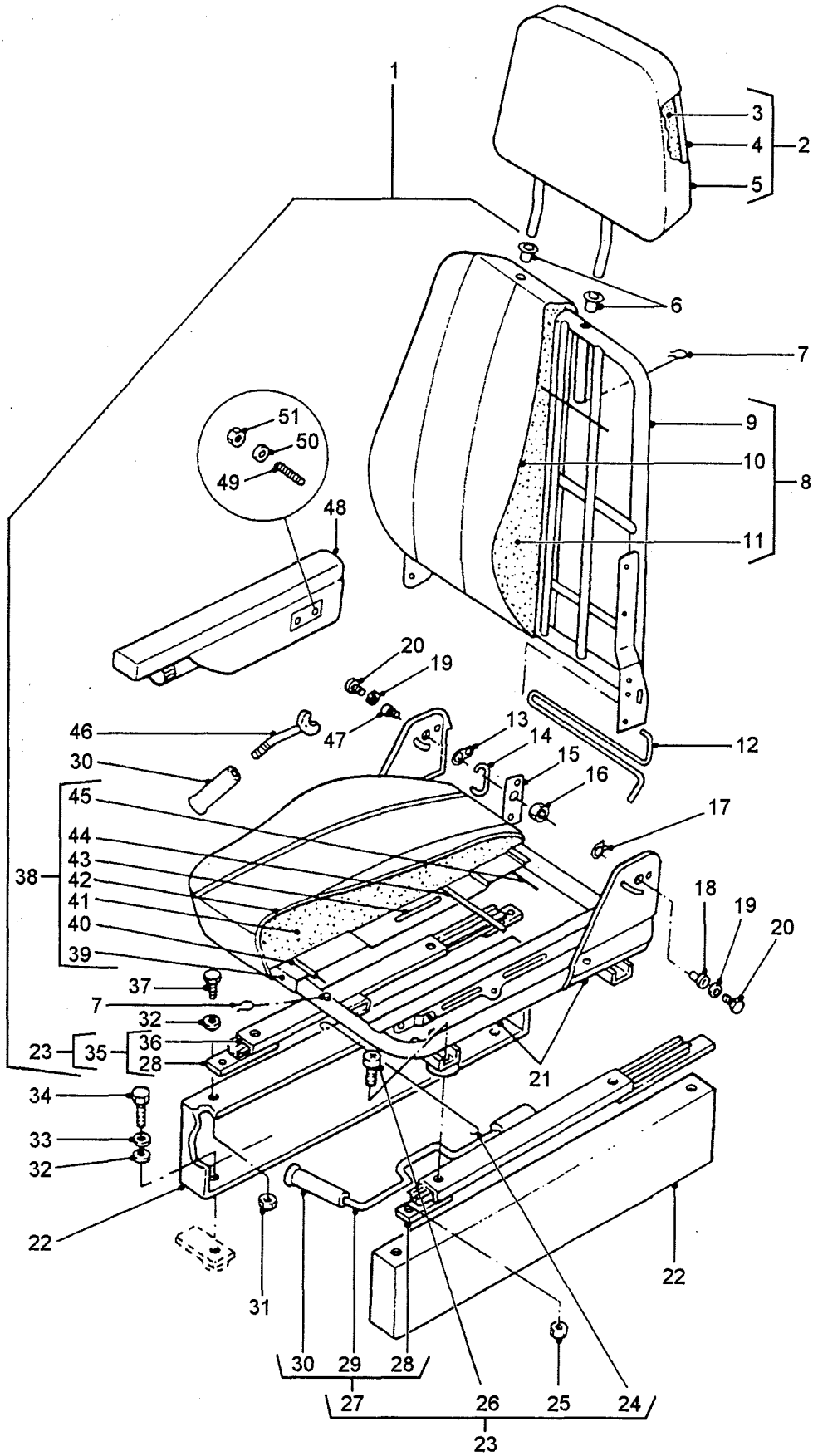
PERENTIE LAND ROVER PARTS LIST

SH /3/1 FRONT SEATS - LRPV ONLY

DERIVATIVE CODE

| ITEM | PART NO. | DESCRIPTION | NSN | DERIVATIVE CODE | | | | | | | | | | | | |
|------|----------|--|------------------|-----------------|------|------|------|------|------|------|------|----|--|--|--|--|
| | | | | 2185 | 2186 | 2208 | 2209 | 2210 | 2211 | 2212 | 2219 | CP | | | | |
| 1 | HYG5922 | SEAT ASSY-RH | 2540-66-128-6251 | | | | | | | 1 | | | | | | |
| | HYG5923 | SEAT ASSY-LH | 2540-66-128-6250 | | | | | | | 1 | | | | | | |
| 2 | HYG5671 | HEAD RESTRAINT ASSY | | | | | | | | 2 | | | | | | |
| 3 | NSS | | | | | | | | | | | | | | | |
| 4 | NSS | | | | | | | | | | | | | | | |
| 5 | NSS | | | | | | | | | | | | | | | |
| 6 | HYM465 | BUSH-GUIDE | | | | | | | | 4 | | | | | | |
| 7 | HYL9613 | CLIP | 5340-66-128-5942 | | | | | | | 6 | | | | | | |
| 8 | HYL8691 | SQUAB ASSY-RH (INCLUDES ITEMS 9-11) | 2540-66-128-4742 | | | | | | | 1 | | | | | | |
| | HYL8690 | SQUAB ASSY-LH (INCLUDES ITEMS 9-11) | 2540-66-128-4734 | | | | | | | 1 | | | | | | |
| 9 | NSS | | | | | | | | | | | | | | | |
| 10 | NSS | | | | | | | | | | | | | | | |
| 11 | NSS | | | | | | | | | | | | | | | |
| 12 | HYL8699 | BAR-TORSION-RH | | | | | | | | 1 | | | | | | |
| | HYL8698 | BAR-TORSION-LH | | | | | | | | 1 | | | | | | |
| 13 | HYL8681 | LINK | | | | | | | | 2 | | | | | | |
| 14 | HYL8682 | SPRING-BOW | | | | | | | | 2 | | | | | | |
| 15 | HYL8683 | LEVER-RH | | | | | | | | 1 | | | | | | |
| | HYL8684 | LEVER-LH | | | | | | | | 1 | | | | | | |
| 16 | HYL8685 | NUT | 5310-66-128-4909 | | | | | | | 2 | | | | | | |
| 17 | HYL8700 | CIRCLIP | 5365-66-128-4910 | | | | | | | 2 | | | | | | |
| 18 | HYL8679 | BUSH | 3120-66-128-4913 | | | | | | | 2 | | | | | | |
| 19 | HYL8694 | WASHER-LOCK | 5310-66-128-4911 | | | | | | | 4 | | | | | | |
| 20 | HYL8680 | BOLT | 5306-66-128-4912 | | | | | | | 4 | | | | | | |
| 21 | HYL9615 | FRAME-CUSHION-RH | | | | | | | | 1 | | | | | | |
| | HYL9614 | FRAME-CUSHION-LH | | | | | | | | 1 | | | | | | |
| 22 | HYG5954 | RISER-LH FRONT SEAT TO SEATBASE | | | | | | | | 2 | | | | | | |

GROUP SH/3

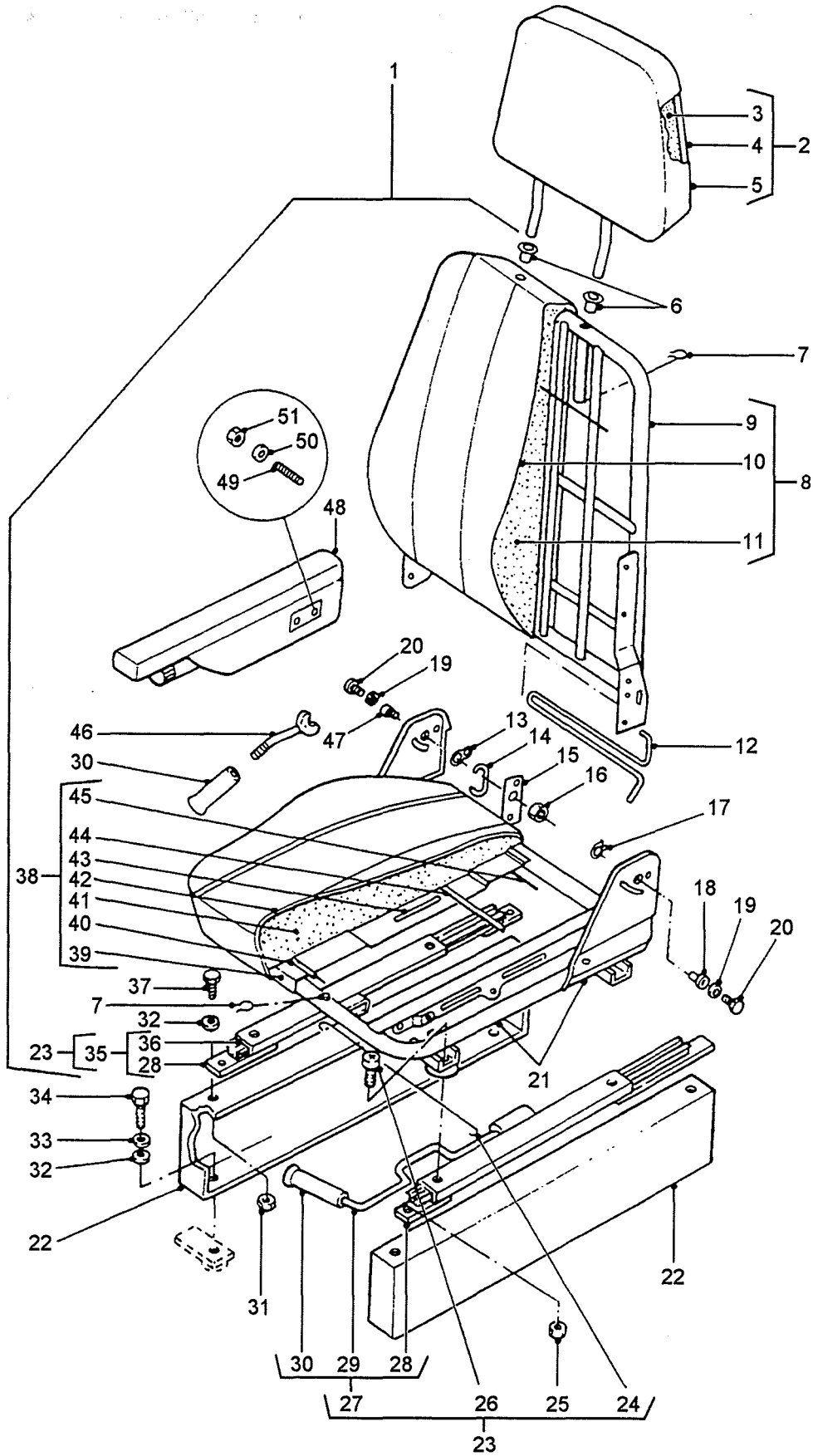


FRONT SEATS - LRPV ONLY

PERENTIE LAND ROVER PARTS LIST

| ITEM | PART NO. | DESCRIPTION | NSN | DERIVATIVE CODE | | | | | | | |
|------|-----------|--|------------------|-----------------|------|------|------|------|------|------|------|
| | | | | 2185 | 2186 | 2208 | 2209 | 2210 | 2211 | 2212 | 2219 |
| 23 | HYM456 | KIT-SLIDES-RH | 2540-66-128-6187 | | | | | | | 1 | |
| | HYM455 | KIT-SLIDES-LH (INCLUDES ITEMS 24-27, 35) | 2540-66-128-6188 | | | | | | | 1 | |
| 24 | HYL9612 | WIRE-SLIDE CONNECTOR | | | | | | | | 2 | |
| 25 | HYL8696 | NUT-NYLOC | 5310-66-128-4918 | | | | | | | 8 | |
| 26 | HYL8697 | SCREW M8X 1.25X35 | 5305-66-128-4917 | | | | | | | 4 | |
| | HYL8695 | SCREW M8X 1.25X35 | 5305-66-128-4919 | | | | | | | 4 | |
| 27 | NSS | | | | | | | | | | |
| 28 | NSS | | | | | | | | | | |
| 29 | NSS | | | | | | | | | | |
| 30 | HYL8676 | KNOB-RECLINER & SEAT ADJUSTERS | 2540-66-128-5031 | | | | | | | 4 | |
| 31 | NY108041L | NUT-NYLOC | 5310-99-122-5496 | | | | | | | 8 | |
| 32 | WA108051L | WASHER-PLAIN | 5310-99-122-6475 | | | | | | | 8 | |
| 33 | WL108001L | WASHER-LOCK | 5310-99-138-9227 | | | | | | | 8 | |
| 34 | FS108301 | SCREW | 5305-99-122-5368 | | | | | | | 8 | |
| 35 | NSS | | | | | | | | | | |
| 36 | NSS | | | | | | | | | | |
| 37 | FS108201 | SCREW | 5305-99-122-5366 | | | | | | | 8 | |
| 38 | HYL8692 | CUSHION ASSY (INCLUDES ITEMS 39-45) | 2540-66-128-4748 | | | | | | | 2 | |
| | HYG6156 | CUSHION-SEAT-EXTRA | | | | | | | | 2 | |
| 39 | NSS | | | | | | | | | | |
| 40 | NSS | | | | | | | | | | |
| 41 | NSS | | | | | | | | | | |
| 42 | NSS | | | | | | | | | | |
| 43 | NSS | | | | | | | | | | |
| 44 | NSS | | | | | | | | | | |
| 45 | NSS | | | | | | | | | | |
| 46 | HYL8678 | LEVER-RH-ADJUSTMENT | 2540-66-128-4769 | | | | | | | 1 | |

GROUP SH/3



FRONT SEATS - LRPV ONLY

PERENTIE LAND ROVER PARTS LIST

SH /3/1

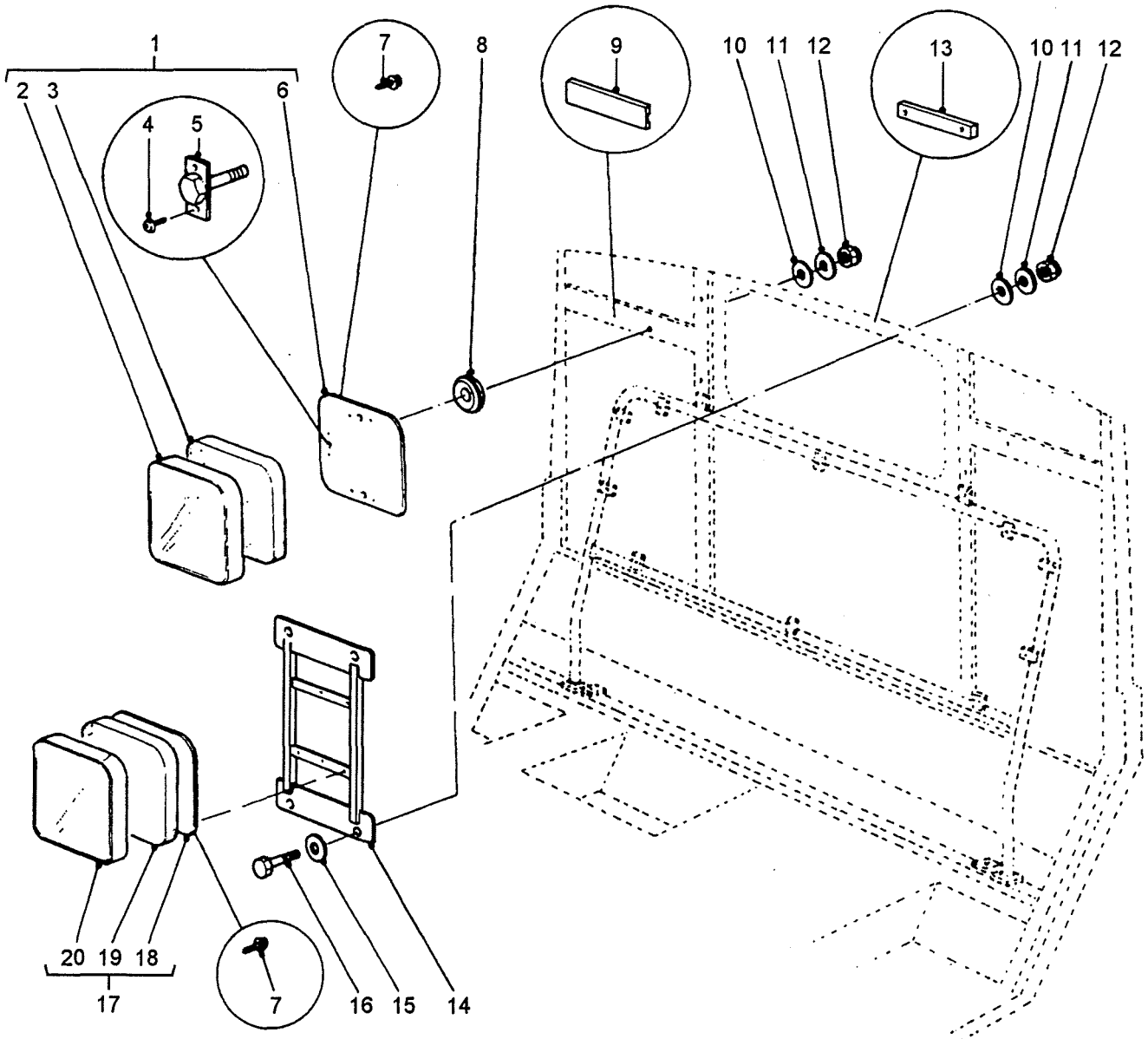
FRONT SEATS - LRPV ONLY

DERIVATIVE CODE

| <u>ITEM</u> | <u>PART NO.</u> | <u>DESCRIPTION</u> | <u>NSN</u> | <u>2185</u> | <u>2186</u> | <u>2208</u> | <u>2209</u> | <u>2210</u> | <u>2211</u> | <u>2212</u> | <u>2219</u> | <u>CP</u> |
|-------------|-----------------|---------------------|------------------|-------------|-------------|-------------|-------------|-------------|-------------|-------------|-------------|-----------|
| | HYL8677 | LEVER-LH-ADJUSTMENT | 2540-66-128-4772 | | | | | | | 1 | | |
| 47 | HYL8686 | BOLT | 5306-66-128-4920 | | | | | | | 1 | | |
| 48 | HYM463 | ARMREST-RH | 2590-66-128-6254 | | | | | | | 2 | | |
| | HYM464 | ARMREST-LH | 2590-66-128-6253 | | | | | | | 2 | | |
| 49 | NSS | | | | | | | | | | | |
| 50 | NSS | | | | | | | | | | | |
| 51 | HYL8696 | NUT-NYLOC | 5310-66-128-4918 | | | | | | | 8 | | |
| | HYG5608 | COVER-SQUAB-DPP | | | | | | | | 2 | | |
| | HYG5609 | COVER-CUSHION-DPP | | | | | | | | 2 | | |

CH. DE POINT

ARN INTRODUCTION

GROUP SJ

**REAR SEAT HEAD RESTRAINT
ASSEMBLIES AND MOUNTINGS
- CREW CAB ONLY**

PERENTIE LAND ROVER PARTS LIST

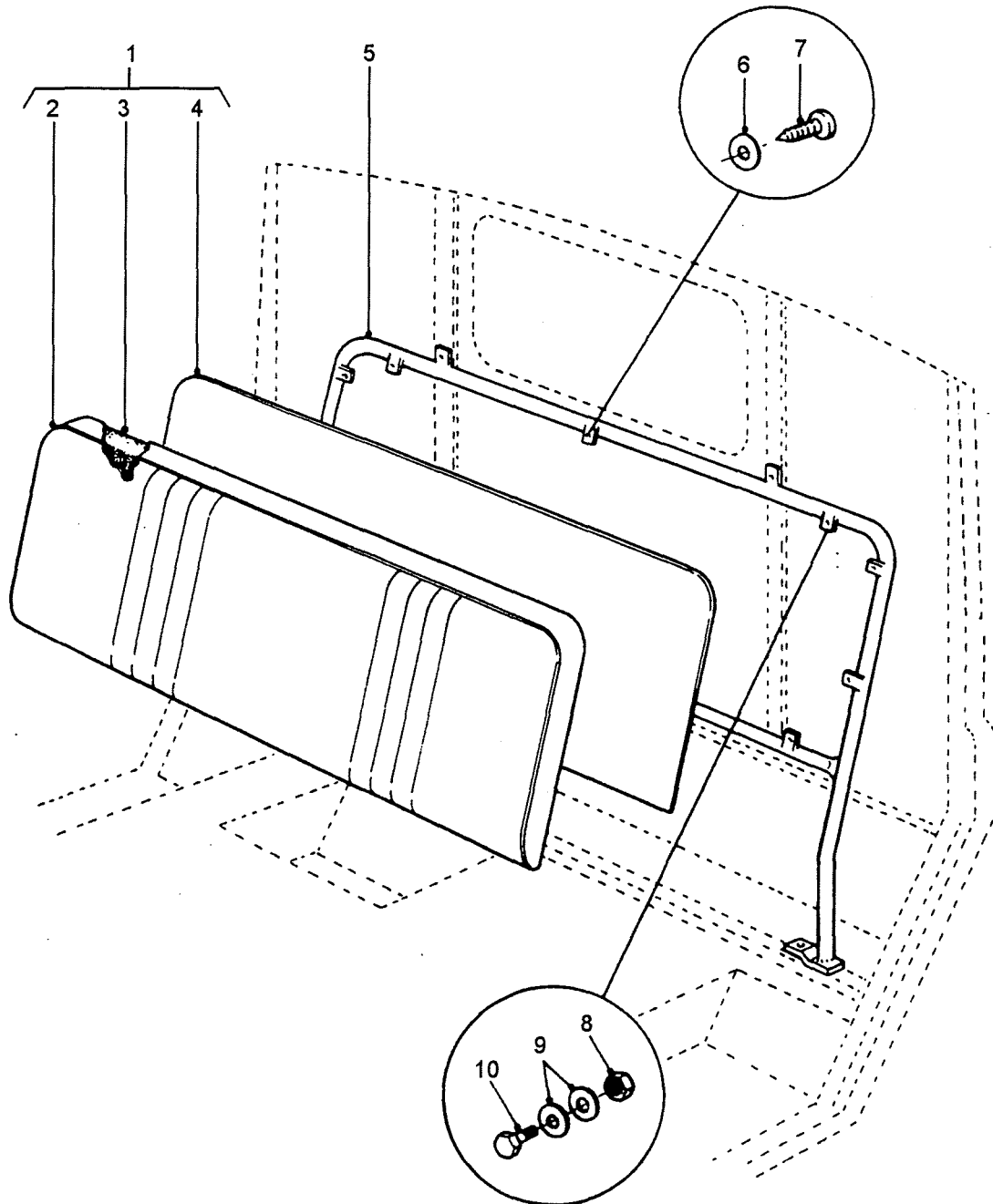
SJ /1/1

REAR SEAT HEAD RESTRAINT ASSEMBLIES AND MOUNTINGS - CREW CAB ONLY
DERIVATIVE CODE

| <u>ITEM</u> | <u>PART NO.</u> | <u>DESCRIPTION</u> | <u>NSN</u> | <u>2185</u> | <u>2186</u> | <u>2208</u> | <u>2209</u> | <u>2210</u> | <u>2211</u> | <u>2212</u> | <u>2219</u> | <u>CP</u> |
|-------------|-----------------|--|------------------|-------------|-------------|-------------|-------------|-------------|-------------|-------------|-------------|-----------|
| 1 | HYG6170 | HEAD RESTRAINT ASSY-OUTER SEATS | | | | | | | | | | 2 |
| 2 | NSS | | | | | | | | | | | |
| 3 | NSS | | | | | | | | | | | |
| 4 | DA604031 | SCREW (ALSO PART OF SJ001) | | | | | | | | | | 6 |
| 5 | NSS | (PART OF SJ001) | | | | | | | | | | |
| 6 | NSS | (PART OF SJ001) | | | | | | | | | | |
| 7 | AB608041 | SCREW | | | | | | | | | | 6 |
| 8 | R589452 | GROMMET | 5325-66-098-2816 | | | | | | | | | 2 |
| 9 | HYG6199 | PACKER-OUTER HEAD RESTRAINT TO BODY | | | | | | | | | | 2 |
| 10 | R302373 | WASHER-RUBBER | 5310-99-849-8248 | | | | | | | | | 10 |
| 11 | WJ106001L | WASHER-PLAIN | 5310-66-128-4699 | | | | | | | | | 10 |
| 12 | NY106041L | NUT-NYLOC | 5310-99-138-8423 | | | | | | | | | 10 |
| 13 | HYG6205 | PACKER-FRAME TO BODY | | | | | | | | | | 2 |
| 14 | HYG6198 | FRAME-CENTRE HEAD RESTRAINT TO BODY | | | | | | | | | | 1 |
| 15 | WC106041L | WASHER-PLAIN | 5310-99-122-3411 | | | | | | | | | 4 |
| 16 | FB106081 | BOLT | 5306-99-122-5246 | | | | | | | | | 4 |
| 17 | HYG6204 | HEAD RESTRAINT ASSY-CENTRE SEAT | | | | | | | | | | 1 |
| 18 | NSS | (PART OF SJ017) | | | | | | | | | | |
| 19 | NSS | (PART OF SJ017) | | | | | | | | | | |
| 20 | NSS | (PART OF SJ017) | | | | | | | | | | |

CHANGE POINT

ARN INTRODUCTION

GROUP SJA

**REAR SEAT SQUAB AND FRAME ASSEMBLIES
- CREW CAB ONLY**

PERENTIE LAND ROVER PARTS LIST

SJA /1/1

REAR SEAT SQUAB AND FRAME ASSEMBLIES - CREW CAB ONLY

DERIVATIVE CODE

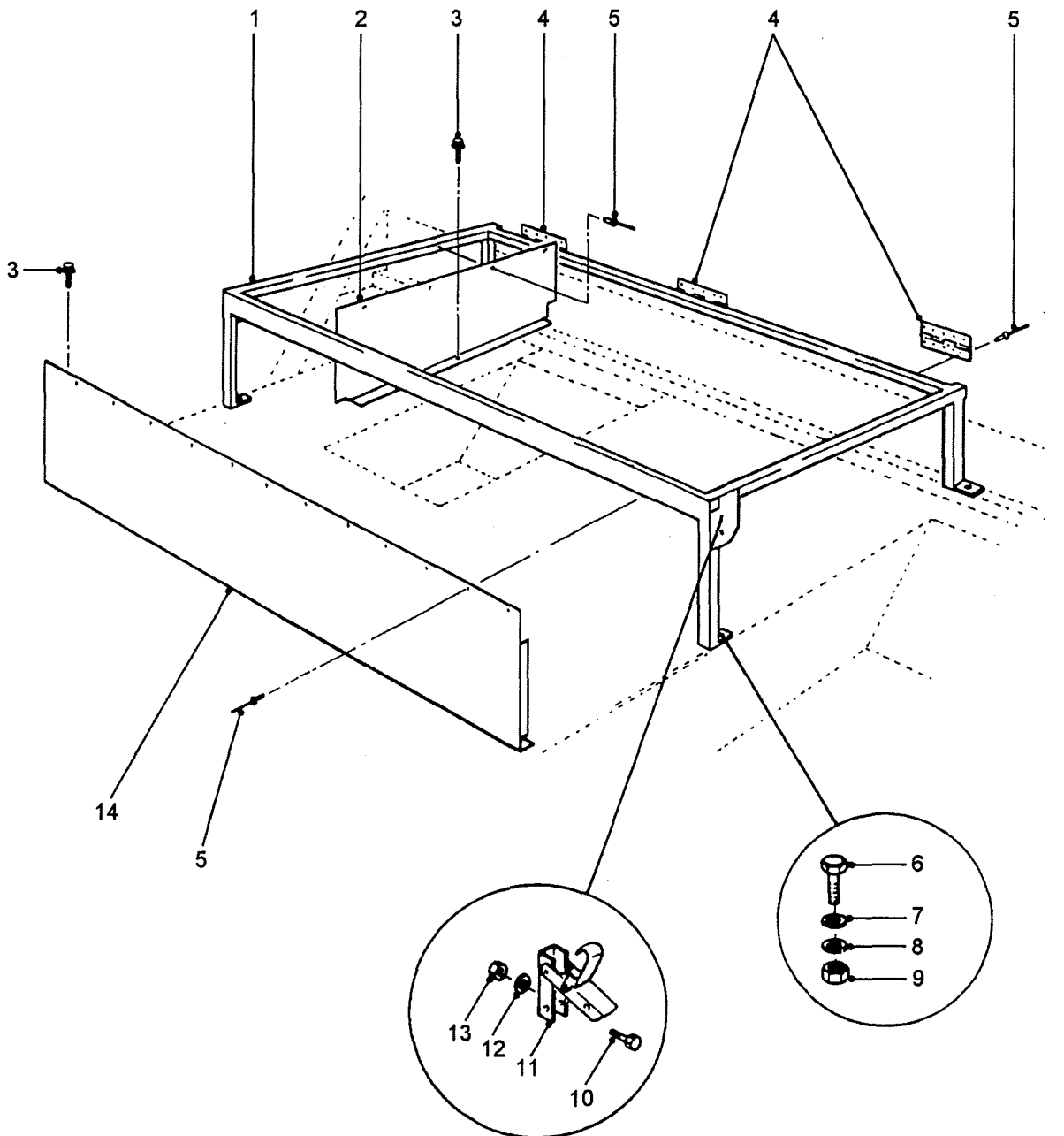
| <u>ITEM</u> | <u>PART NO.</u> | <u>DESCRIPTION</u> | <u>NSN</u> | <u>2185</u> | <u>2186</u> | <u>2208</u> | <u>2209</u> | <u>2210</u> | <u>2211</u> | <u>2212</u> | <u>2219</u> | <u>CP</u> |
|-------------|-----------------|-------------------------------|------------------|-------------|-------------|-------------|-------------|-------------|-------------|-------------|-------------|-----------|
| 1 | HYG6097 | SQUAB ASSEMBLY -REAR SEAT | 2540-66-128-6425 | | | | | | | | | 1 |
| 2 | HYG6355 | COVER-SEAT SQUAB | | | | | | | | | | 1 |
| 3 | HYG6354 | FOAM-SEAT SQUAB | | | | | | | | | | 1 |
| 4 | HYG6353 | BOARD-BACKING -SEAT SQUAB | | | | | | | | | | 1 |
| 5 | HYG6096 | FRAME ASSEMBLY -SEAT SQUAB | | | | | | | | | | 1 |
| 6 | WA105001L | WASHER-PLAIN | 5310-99-122-3032 | | | | | | | | | 10 |
| 7 | AB610055 | SCREW | 5305-99-120-5723 | | | | | | | | | 10 |
| 8 | NY106041L | NUT-NYLOC | 5310-99-138-8423 | | | | | | | | | 2 |
| 9 | WA106041L | WASHER-PLAIN | 5310-66-098-4440 | | | | | | | | | 4 |
| 10 | FB106081 | BOLT | 5306-99-122-5246 | | | | | | | | | 2 |

CHANGE POINT

ARN INTRODUCTION

Oct 1995

GROUP SJB



**REAR SEAT CUSHION FRAME ASSEMBLY
AND FITTINGS – CREW CAB ONLY**

PERENTIE LAND ROVER PARTS LIST

SJB /1/1

REAR SEAT CUSHION FRAME ASSEMBLY AND FITTINGS - CREW CAB ONLY

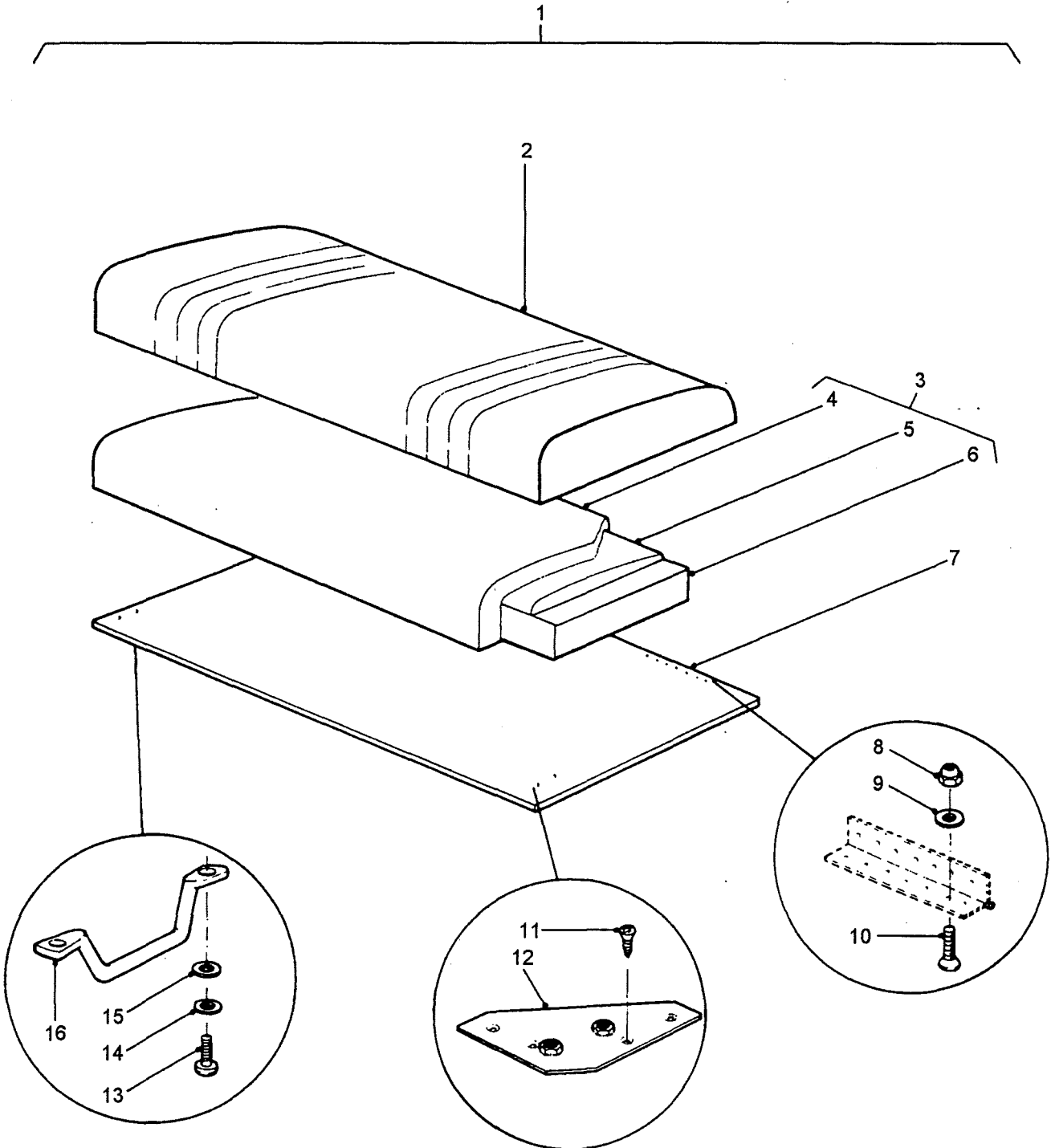
DERIVATIVE CODE

| <u>ITEM</u> | <u>PART NO.</u> | <u>DESCRIPTION</u> | <u>NSN</u> | <u>2185</u> | <u>2186</u> | <u>2208</u> | <u>2209</u> | <u>2210</u> | <u>2211</u> | <u>2212</u> | <u>2219</u> | <u>CP</u> |
|-------------|-----------------|---------------------------------------|------------------|-------------|-------------|-------------|-------------|-------------|-------------|-------------|-------------|-----------|
| 1 | HYG6074 | FRAME ASSEMBLY -SEAT CUSHION | | | | | | | | | | 1 |
| 2 | HYG6160 | PANEL-CLOSING -CUSHION FRAME-RH | | | | | | | | | | 1 |
| | HYG6161 | PANEL-CLOSING -CUSHION FRAME-LH | | | | | | | | | | 1 |
| 3 | MYH3337 | SCREW | 5305-66-128-5341 | | | | | | | | | 15 |
| 4 | MYH3668 | HINGE-SEAT CUSHION | | | | | | | | | | 3 |
| 5 | RU612373L | POP RIVET | 5320-99-120-9002 | | | | | | | | | 44 |
| 6 | BH108021 | BOLT | | | | | | | | | | 4 |
| 7 | WA108051L | WASHER-PLAIN | 5310-99-122-6475 | | | | | | | | | 4 |
| 8 | WL108001L | WASHER-LOCK | 5310-99-138-9227 | | | | | | | | | 4 |
| 9 | NY108041L | NUT-NYLOC | 5310-99-122-5496 | | | | | | | | | 4 |
| 10 | SE105161L | SCREW | 5305-99-135-0430 | | | | | | | | | 4 |
| 11 | HYG4919 | CATCH-CLAMPING | 5340-66-128-6426 | | | | | | | | | 2 |
| 12 | WA105001L | WASHER-PLAIN | 5310-99-122-3032 | | | | | | | | | 4 |
| 13 | NY105041L | NUT-NYLOC | 5310-99-122-5494 | | | | | | | | | 4 |
| 14 | HYG6159 | PANEL-CLOSING -CUSHION FRAME-FRONT | | | | | | | | | | 1 |

CHANGE POINT

ARN INTRODUCTION

GROUP SJC



**REAR SEAT CUSHION ASSEMBLY
- CREW CAB ONLY**

PERENTIE LAND ROVER PARTS LIST

SJC /1/1 REAR SEAT CUSHION ASSEMBLY - CREW CAB ONLY

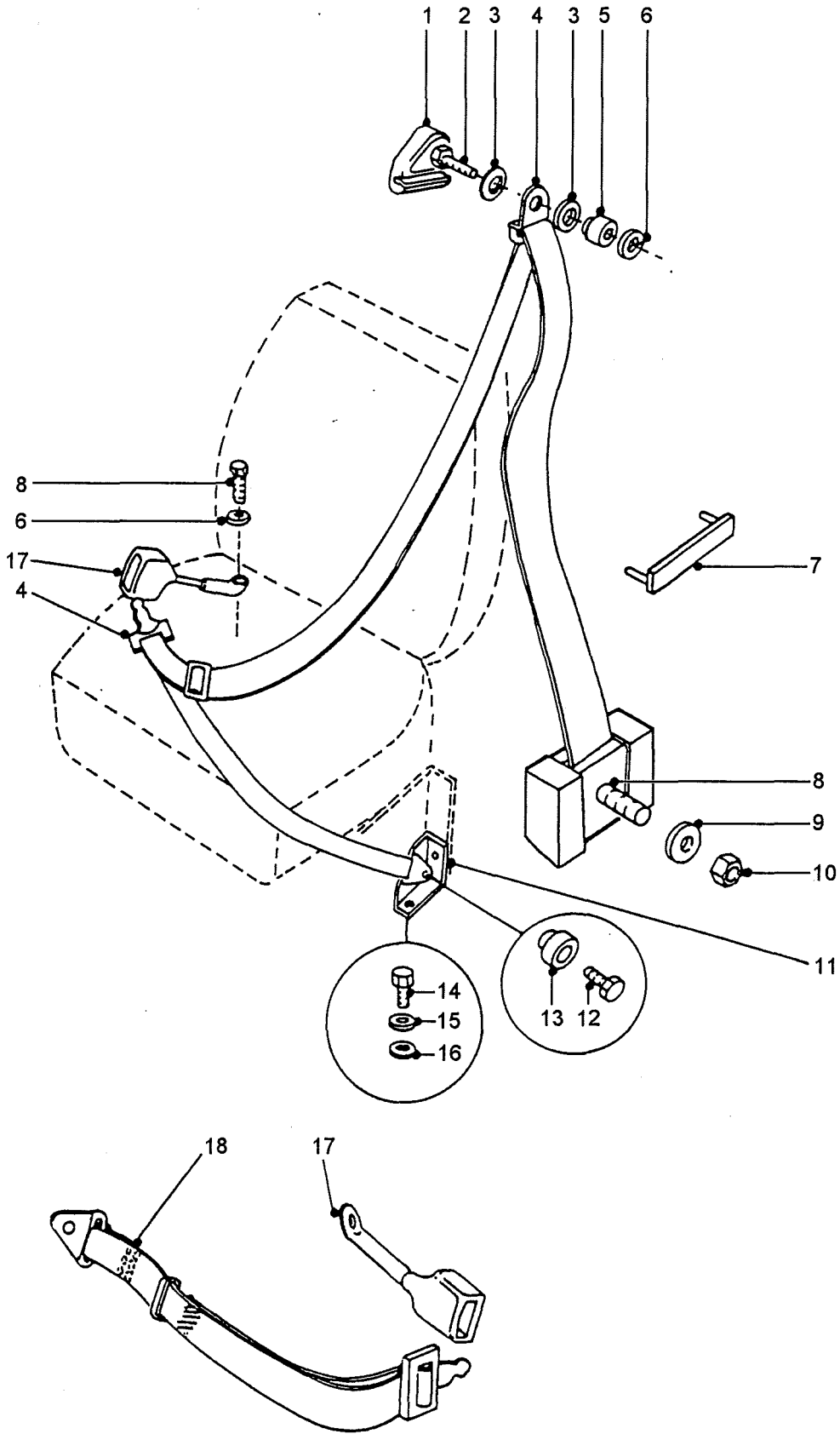
DERIVATIVE CODE

| <u>ITEM</u> | <u>PART NO.</u> | <u>DESCRIPTION</u> | <u>NSN</u> | <u>2185</u> | <u>2186</u> | <u>2208</u> | <u>2209</u> | <u>2210</u> | <u>2211</u> | <u>2212</u> | <u>2219</u> | <u>CP</u> |
|-------------|-----------------|--------------------------------|------------------|-------------|-------------|-------------|-------------|-------------|-------------|-------------|-------------|-----------|
| 1 | HYG6090 | CUSHION ASSEMBLY -REAR SEAT | 2540-66-128-6427 | | | | | | | | | 1 |
| 2 | HYG6352 | COVER-SEAT CUSHION | | | | | | | | | | 1 |
| 3 | HYG6349 | FOAM-SEAT CUSHION | | | | | | | | | | 1 |
| 4 | NSS | USE SJC003 | | | | | | | | | | |
| 5 | NSS | USE SJC003 | | | | | | | | | | |
| 6 | NSS | USE SJC003 | | | | | | | | | | |
| 7 | HYG6348 | BOARD-BACKING -SEAT CUSHION | | | | | | | | | | 1 |
| 8 | NY105041L | NUT-NYLOC | 5310-99-122-5494 | | | | | | | | | 15 |
| 9 | WC105001L | WASHER-PLAIN | 5310-99-122-3032 | | | | | | | | | 15 |
| 10 | SF105251 | SCREW | | | | | | | | | | 15 |
| 11 | AB104101 | SCREW | | | | | | | | | | 8 |
| 12 | HYG6351 | PLATE-STAPLE MOUNTING-LH | | | | | | | | | | 1 |
| | HYG6350 | PLATE-STAPLE MOUNTING-RH | | | | | | | | | | 1 |
| 13 | SE105251L | SCREW | | | | | | | | | | 4 |
| 14 | WA105001L | WASHER-PLAIN | 5310-99-122-3032 | | | | | | | | | 4 |
| 15 | WL105001L | WASHER-LOCK | 5310-99-977-1102 | | | | | | | | | 4 |
| 16 | R395143 | STAPLE | 2540-99-824-6204 | | | | | | | | | 2 |

CHANGE POINT

ARN INTRODUCTION

GROUP SL/1



**SEAT BELTS – FRONT
– EXCEPT LRPV**

PERENTIE LAND ROVER PARTS LIST

SL /1/1 SEAT BELTS-FRONT - EXCEPT LRPV

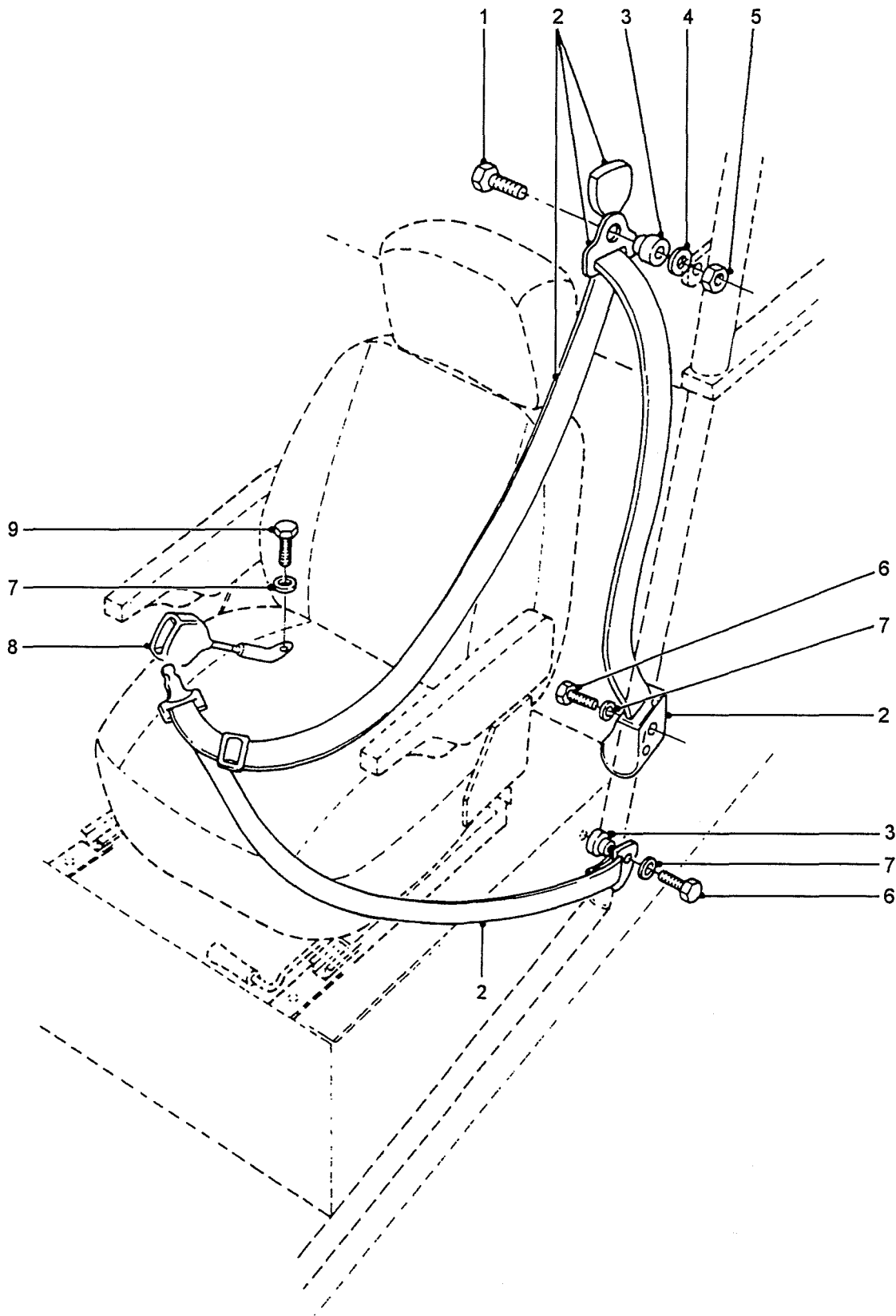
DERIVATIVE CODE

| ITEM | PART NO. | DESCRIPTION | NSN | DERIVATIVE CODE | | | | | | | | |
|------|-----------|---|------------------|-----------------|------|------|------|------|------|------|------|----|
| | | | | 2185 | 2186 | 2208 | 2209 | 2210 | 2211 | 2212 | 2219 | CP |
| 1 | NSS | | | | | | | | | | | |
| 2 | NSS | | | | | | | | | | | |
| 3 | NSS | | | | | | | | | | | |
| 4 | HYG4727 | INERTIA REEL ASSY | 2540-66-128-5994 | 2 | 2 | 2 | 2 | 2 | | 2 | 2 | |
| 4 | HYG7564 | SLEEVE-PROTECTOR -SEAT BELT | | 2 | 2 | 2 | 2 | 2 | | 2 | 2 | |
| 5 | NSS | | | | | | | | | | | |
| 6 | NSS | | | | | | | | | | | |
| 7 | AFU2875 | CLIP-SEATBELT | | 2 | 2 | 2 | 2 | 2 | | 2 | 2 | |
| 8 | HYL9317 | BOLT-BELT | | 2 | 2 | 2 | 2 | 2 | | 2 | 2 | |
| 9 | NSS | | | | | | | | | | | |
| 10 | NY607041L | NUT-NYLOC | 5310-99-941-7650 | 2 | 2 | 2 | 2 | 2 | | 2 | 2 | |
| 11 | R345100 | SILL GUSSET-RH | | 1 | 1 | 1 | 1 | 1 | | 1 | 1 | |
| | R345101 | SILL GUSSET-LH | | 1 | 1 | 1 | 1 | 1 | | 1 | 1 | |
| 12 | NSS | | | | | | | | | | | |
| 13 | NSS | | | | | | | | | | | |
| 14 | SH106251L | SCREW | 5305-99-122-5362 | 6 | 6 | 6 | 6 | 6 | | 6 | 6 | |
| 15 | WL106001L | WASHER-LOCK | 5310-99-137-9232 | 6 | 6 | 6 | 6 | 6 | | 6 | 6 | |
| 16 | MRC5527 | WASHER-PLAIN | 5310-99-977-1694 | 6 | 6 | 6 | 6 | 6 | | 6 | 6 | |
| 17 | HYG4725 | STALK/BUCKLE-LH | 2540-66-128-5995 | 2 | 2 | 2 | 2 | 2 | | 2 | 1 | |
| | HYG4726 | STALK/BUCKLE-RH | 2540-66-128-5996 | 1 | 1 | 1 | 1 | 1 | | 1 | 1 | |
| 18 | HYG4728 | BELT-LAP-CENTRE SEAT | 2540-66-128-5997 | 1 | 1 | 1 | 1 | 1 | | 1 | | |
| | HYG4729 | KIT-FIXING | | 1 | 1 | 1 | 1 | 1 | | 1 | 1 | |
| | SH112251L | SCREW-INERTIAL REEL TO PANEL REAR SIDE INNER | 5305-99-122-4912 | 2 | 2 | 2 | 2 | 2 | | 2 | 2 | |
| | NY112041L | NUT-NYLOC | 5310-99-768-7269 | 2 | 2 | 2 | 2 | 2 | | 2 | 2 | |

CHANGE POINT

ARN INTRODUCTION

GROUP SL/2



**SEAT BELTS – FRONT
– LRPV ONLY**

PERENTIE LAND ROVER PARTS LIST

SL /2/1 SEAT BELTS-FRONT - LRPV ONLY

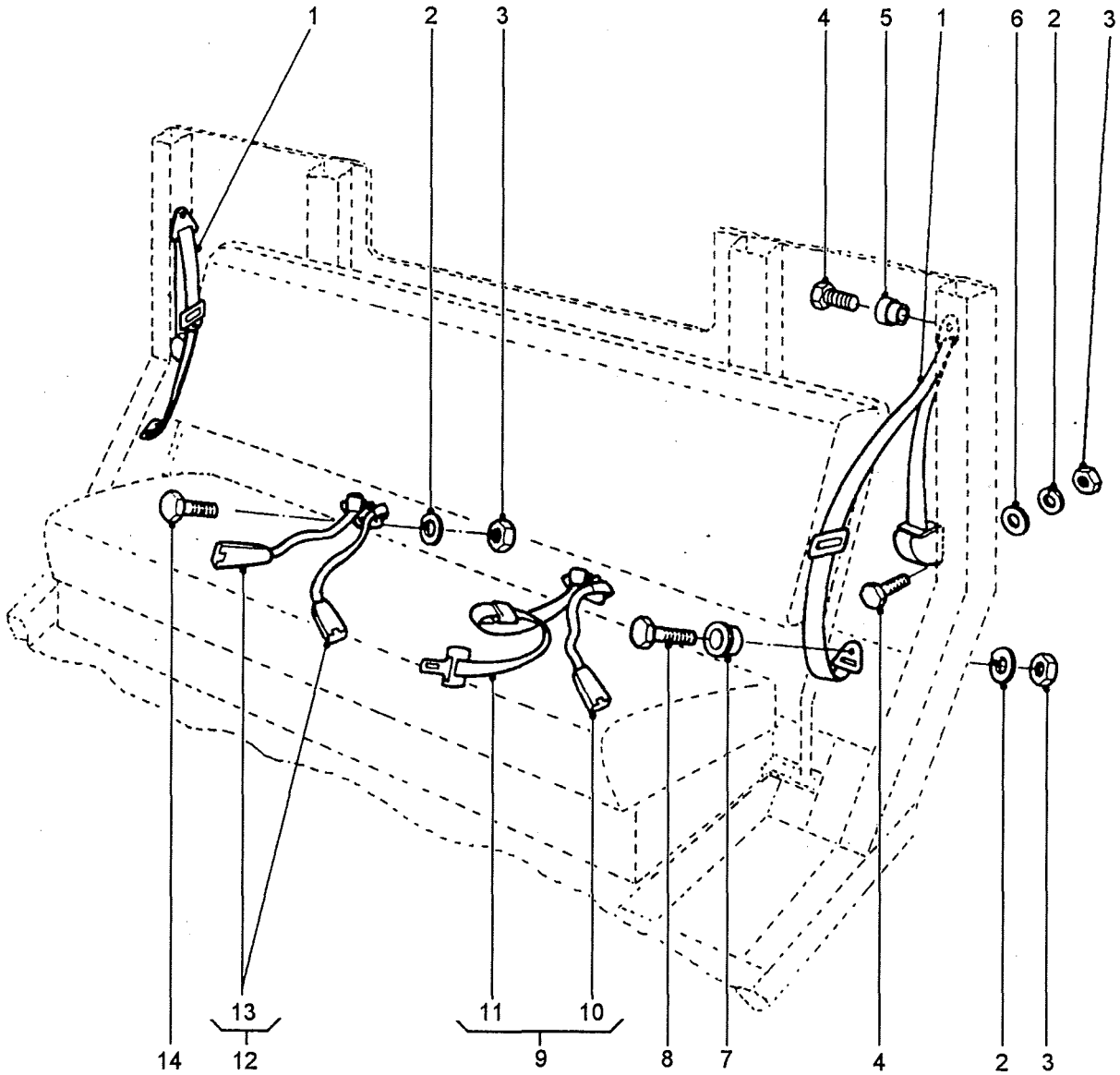
DERIVATIVE CODE

| <u>ITEM</u> | <u>PART NO.</u> | <u>DESCRIPTION</u> | <u>NSN</u> | <u>2185</u> | <u>2186</u> | <u>2208</u> | <u>2209</u> | <u>2210</u> | <u>2211</u> | <u>2212</u> | <u>2219</u> | <u>CP</u> |
|-------------|-----------------|---|------------------|-------------|-------------|-------------|-------------|-------------|-------------|-------------|-------------|-----------|
| 1 | NSS | | | | | | | | | | | |
| 2 | HYG4727 | INERTIA REEL ASSY | 2540-66-128-5994 | | | | | | | 2 | | |
| 2 | HYG7564 | SLEEVE-PROTECTOR -SEAT BELT | | | | | | | | 2 | | |
| 3 | NSS | | | | | | | | | | | |
| 4 | NSS | | | | | | | | | | | |
| 5 | NY607041L | NUT-NYLOC | 5310-99-941-7650 | | | | | | | 2 | | |
| 6 | NSS | | | | | | | | | | | |
| 7 | NSS | | | | | | | | | | | |
| 8 | HYG4726 | STALK BUCKLE-RH | 2540-66-128-5996 | | | | | | | 1 | | |
| | HYG4725 | STALK BUCKLE-LH | 2540-66-122-5995 | | | | | | | 1 | | |
| 9 | NSS | | | | | | | | | | | |
| | HYG5582 | KIT-FIXING-SEAT BELTS (INCLUDES ITEMS 1, 3, 4, 6, 7, 9) | | | | | | | | 1 | | |

CHANGE POINT

ARN INTRODUCTION

GROUP SLA



**SEAT BELTS – REAR
– CREW CAB ONLY**

PERENTIE LAND ROVER PARTS LIST

SLA /1/1 SEAT BELTS - REAR - CREW CAB ONLY

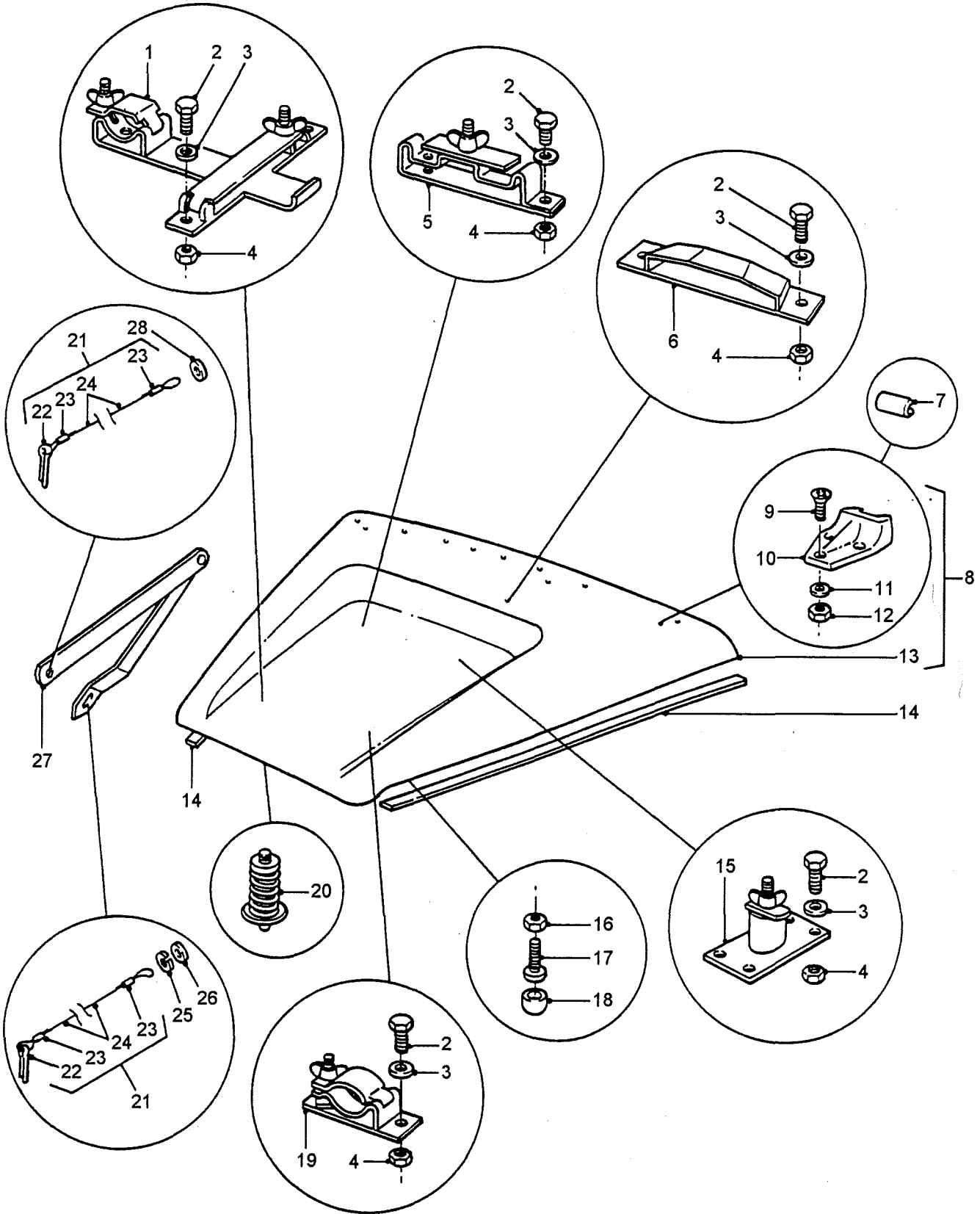
DERIVATIVE CODE

| <u>ITEM</u> | <u>PART NO.</u> | <u>DESCRIPTION</u> | <u>NSN</u> | <u>2185</u> | <u>2186</u> | <u>2208</u> | <u>2209</u> | <u>2210</u> | <u>2211</u> | <u>2212</u> | <u>2219</u> | <u>CP</u> |
|-------------|-----------------|---|------------------|-------------|-------------|-------------|-------------|-------------|-------------|-------------|-------------|-----------|
| 1 | HYG4727 | INERTIA REEL ASSY | 2540-66-128-5994 | | | | | | | | | 2 |
| 2 | NSS | | | | | | | | | | | |
| 3 | NSS | | | | | | | | | | | |
| 4 | NSS | | | | | | | | | | | |
| 5 | NSS | | | | | | | | | | | |
| 6 | NSS | | | | | | | | | | | |
| 7 | NSS | | | | | | | | | | | |
| 8 | BH607201 | BOLT | | | | | | | | | | 2 |
| 9 | HYG6013 | BELT ASSY-LH STALK & CENTRE LAP | 2540-66-128-6432 | | | | | | | | | 1 |
| 10 | NSS | | | | | | | | | | | |
| 11 | NSS | | | | | | | | | | | |
| 12 | HYG6012 | BELT ASSY-STALK-CENTRE & STALK-RH | 2540-66-128-6433 | | | | | | | | | 1 |
| 13 | NSS | | | | | | | | | | | |
| 14 | NSS | | | | | | | | | | | |
| | HYG6014 | KIT-FIXING-REAR SEAT BELTS (INCLUDES ITEMS 2 TO 7 AND 14) | | | | | | | | | | 1 |

CHANGE POINT

ARN INTRODUCTION

GROUP SM/1



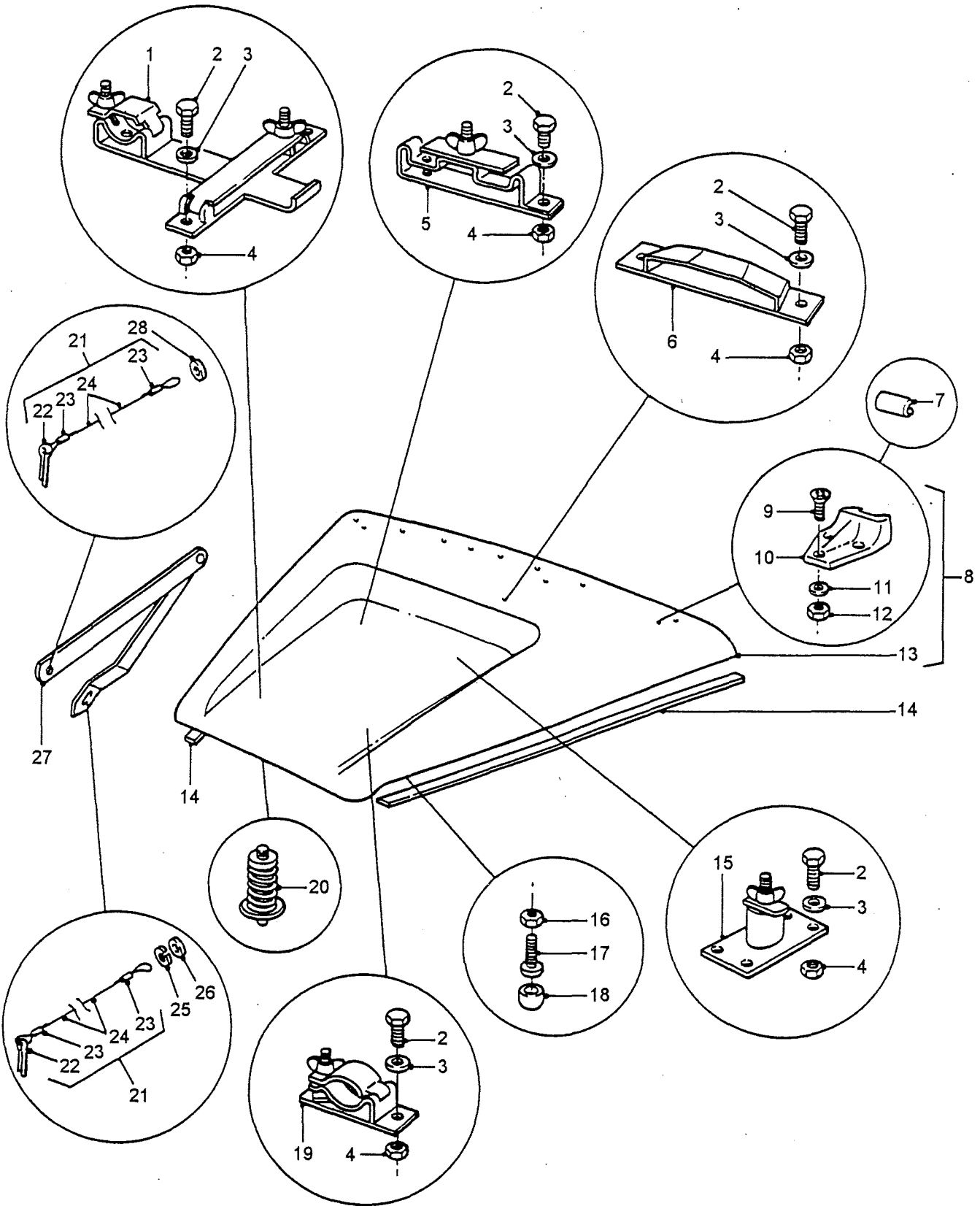
BONNET, PROP & DEDITCHING TOOL SUPPORT - EXCEPT LRPV

PERENTIE LAND ROVER PARTS LIST

| ITEM | SM /1/1 PART NO. | DESCRIPTION | NSN | DERIVATIVE CODE | | | | | | | |
|------|---------------------|------------------------------------|------------------|-----------------|------|------|------|------|------|------|------|
| | | | | 2185 | 2186 | 2208 | 2209 | 2210 | 2211 | 2212 | 2219 |
| 1 | HYG498 | SUPPORT ASSY-PICK & AXE HANDLE | 2510-66-095-9851 | 1 | 1 | 1 | 1 | 1 | | 1 | 1 |
| 2 | FS106201 | SCREW | 5305-99-122-5361 | 13 | 13 | 13 | 13 | 13 | | 13 | 13 |
| 3 | WJ106001L | WASHER-PLAIN | 5310-66-128-4699 | 13 | 13 | 13 | 13 | 13 | | 13 | 13 |
| 4 | NY106041L | NUT-NYLOC | 5310-99-138-8423 | 13 | 13 | 13 | 13 | 13 | | 13 | 13 |
| 5 | HYG497 | CLAMP ASSY-PICK & AXE HANDLE | 2510-66-095-9850 | 1 | 1 | 1 | 1 | 1 | | 1 | 1 |
| 6 | HYG2919 | BRACKET SPADE | 2510-66-128-5063 | 1 | 1 | 1 | 1 | 1 | | 1 | 1 |
| 7 | R346849 | BUSH-BONNET HINGE TO DASH | 2540-99-824-3035 | 2 | 2 | 2 | 2 | 2 | | 2 | 2 |
| 8 | HYG4894 | BONNET & FRAME ASSY | 2540-66-128-4781 | 1 | 1 | 1 | 1 | 1 | | 1 | 1 |
| 9 | SF106251 | SCREW | 5305-66-128-5452 | 6 | 6 | 6 | 6 | 6 | | 6 | 6 |
| 10 | MRC9244 | HINGE-BONNET | 2510-99-796-6161 | 2 | 2 | 2 | 2 | 2 | | 2 | 2 |
| 11 | WL106001L | WASHER-LOCK | 5310-99-137-9232 | 6 | 6 | 6 | 6 | 6 | | 6 | 6 |
| 12 | NH106041L | NUT | 5310-66-098-4401 | 6 | 6 | 6 | 6 | 6 | | 6 | 6 |
| 13 | NSS | | | | | | | | | | |
| 14 | HYG495 | BRACKET-PICK CLAMP SUPPORT | 2510-66-095-0888 | 1 | 1 | 1 | 1 | 1 | | 1 | 1 |
| 15 | NH108044 | NUT | 5310-66-128-4924 | 4 | 4 | 4 | 4 | 4 | | 4 | 4 |
| 16 | SE108404L | SCREW | 5305-66-128-4926 | 4 | 4 | 4 | 4 | 4 | | 4 | 4 |
| 17 | R391287 | BUFFER BRACKET-SPADE HANDLE | 5340-99-825-6031 | 4 | 4 | 4 | 4 | 4 | | 4 | 4 |
| 18 | HYG494 | BRACKET-SPADE HANDLE SUPPORT | 2510-66-095-0887 | 1 | 1 | 1 | 1 | 1 | | 1 | 1 |
| 19 | MWC9361 | PIN-STRIKER-BONNET | 2540-66-128-5450 | 1 | 1 | 1 | 1 | 1 | | 1 | 1 |
| 20 | MYH3607 | CLIP & CORD (INCLUDES ITEMS 21-23) | | 1 | 1 | 1 | 1 | 1 | | 1 | 1 |
| 21 | MYH3112 | CLIP | | 1 | 1 | 1 | 1 | 1 | | 1 | 1 |
| 22 | NSS | | | | | | | | | | |
| 23 | NSS | | | | | | | | | | |

May 1998

GROUP SM/1



**BONNET, PROP & DEDITCHING TOOL SUPPORT
- EXCEPT LRPV**

PERENTIE LAND ROVER PARTS LIST

SM /1/1 BONNET. PROP & DEDITCHING TOOL SUPPORT - EXCEPT LRPV

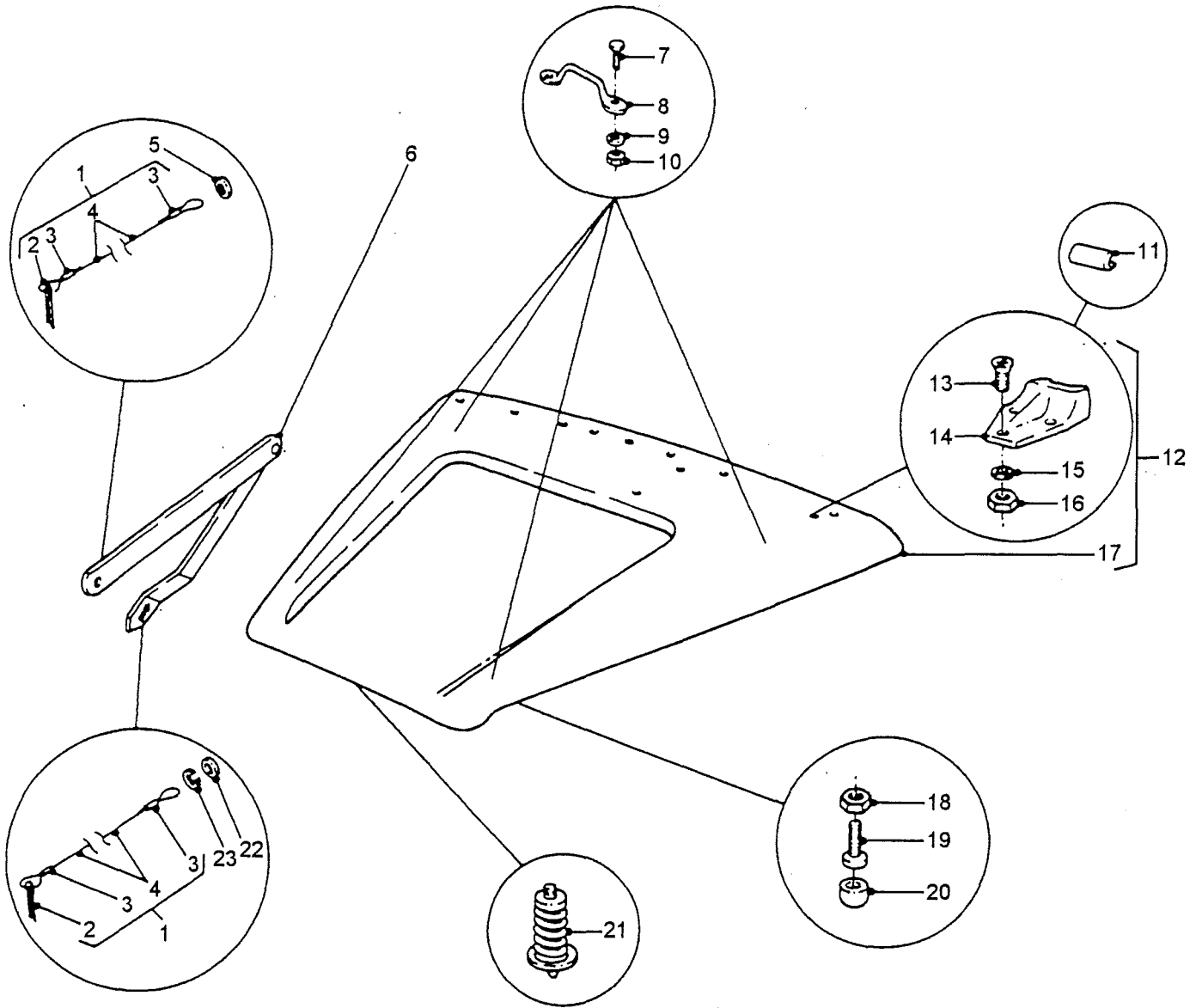
DERIVATIVE CODE

| <u>Q</u> | <u>PART NO.</u> | <u>DESCRIPTION</u> | <u>NSN</u> | <u>2185</u> | <u>2186</u> | <u>2208</u> | <u>2209</u> | <u>2210</u> | <u>2211</u> | <u>2212</u> | <u>2219</u> | <u>CP</u> |
|----------|-----------------|---|------------------|-------------|-------------|-------------|-------------|-------------|-------------|-------------|-------------|-----------|
| 24 | WS108001L | WASHER-LOCK | 5310-99-135-9324 | 1 | 1 | 1 | 1 | 1 | | 1 | 1 | |
| 25 | AFU1105 | WASHER-PLAIN | | 3 | 3 | 3 | 3 | 3 | | 3 | 3 | |
| 26 | MUC4208 | PROP-BONNET | 2540-99-740-0795 | 1 | 1 | 1 | 1 | 1 | | 1 | 1 | |
| 27 | WA108051L | WASHER-PLAIN | 5310-99-122-6475 | 1 | 1 | 1 | 1 | 1 | | 1 | 1 | |
| | HYG3695 | PACKER-HINGE-LH SIDE TO BONNET | 2540-66-128-5451 | 1 | 1 | 1 | 1 | 1 | | 1 | 1 | |
| | HYG4060 | FRAME-BONNET | | 1 | 1 | 1 | 1 | 1 | | 1 | 1 | |
| | SE106161L | SCREW-BONNET TO FRAME | 5305-99-135-0440 | 6 | 6 | 6 | 6 | 6 | | 6 | 6 | |
| | WL106001L | WASHER-LOCK | 5310-99-137-9232 | 6 | 6 | 6 | 6 | 6 | | 6 | 6 | |
| | PS104127L | SPLIT PIN-BONNET PROP TO LH RADIATOR MTG. BRKT. | | 1 | 1 | 1 | 1 | 1 | | 1 | 1 | |
| | PS104121L | SPLIT PIN-PROP TO BONNET | 5315-66-128-5104 | 1 | 1 | 1 | 1 | 1 | | 1 | 1 | |

CHANGE POINT

ARN INTRODUCTION

GROUP SM/2



**BONNET, PROP SUPPORT AND FITTINGS
- LRPV ONLY**

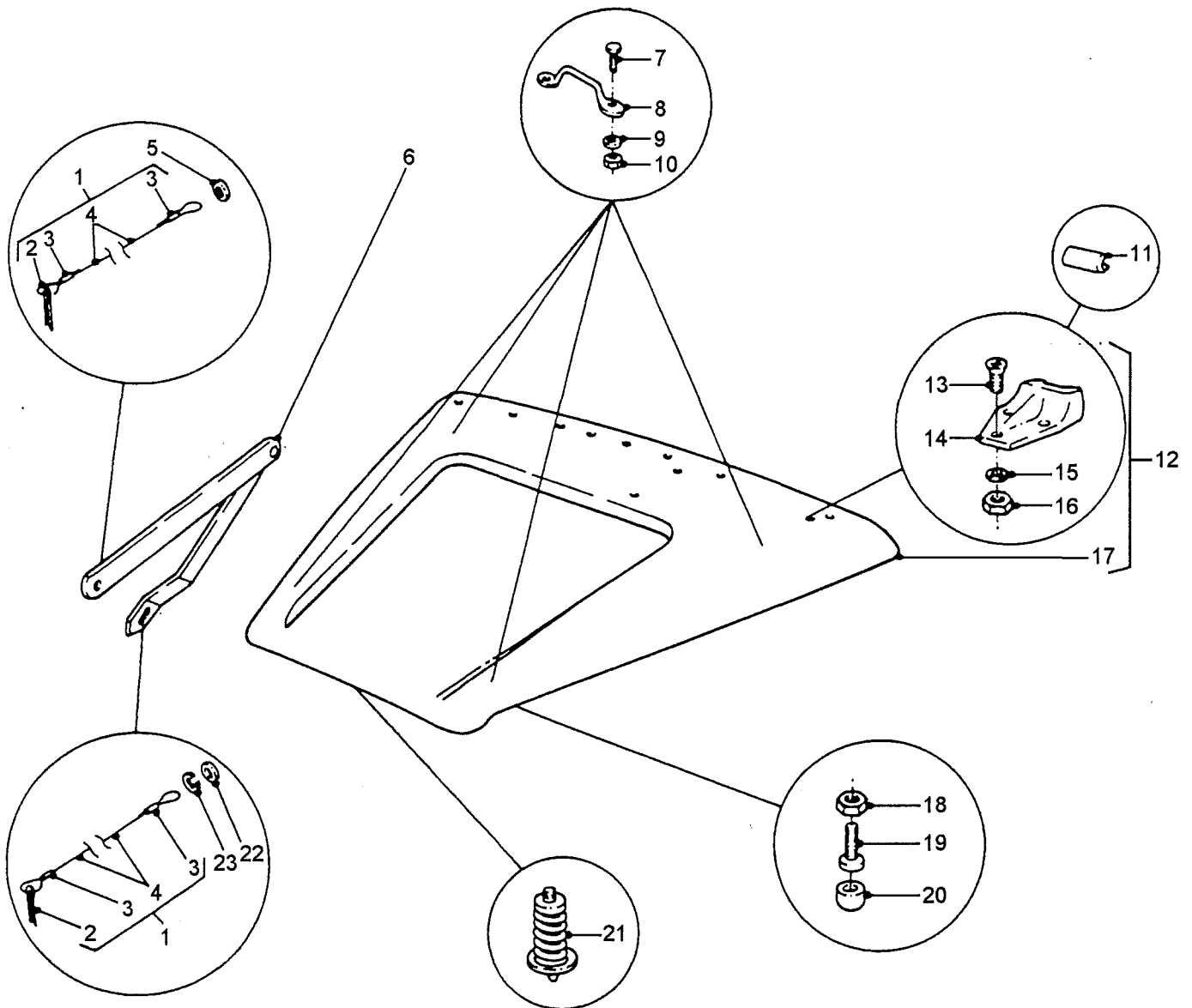
PERENTIE LAND ROVER PARTS LIST

SM /2/1

BONNET, PROP SUPPORT AND FITTINGS - LRPV ONLY

DERIVATIVE CODE

| <u>ITEM</u> | <u>PART NO.</u> | <u>DESCRIPTION</u> | <u>NSN</u> | <u>2185</u> | <u>2186</u> | <u>2208</u> | <u>2209</u> | <u>2210</u> | <u>2211</u> | <u>2212</u> | <u>2219</u> | <u>CP</u> |
|-------------|-----------------|---------------------------------------|------------------|-------------|-------------|-------------|-------------|-------------|-------------|-------------|-------------|-----------|
| 1 | MYH3607 | CLIP & CORD (INCLUDES ITEMS 2 - 4) | | | | | | | | | 2 | |
| 2 | MYH3112 | CLIP | | | | | | | | | 2 | |
| 3 | NSS | | | | | | | | | | | |
| 4 | NSS | | | | | | | | | | | |
| 5 | WA108051L | WASHER-PLAIN | 5310-99-122-6475 | | | | | | | | 1 | |
| 6 | MUC4208 | PROP-BONNET | 2540-99-740-0795 | | | | | | | | 1 | |
| 7 | SE105201L | SCREW | 5305-66-128-4766 | | | | | | | | 8 | |
| 8 | R395143 | STAPLE | 2540-99-824-6204 | | | | | | | | 4 | |
| 9 | WA105001L | WASHER-PLAIN | 5310-99-122-3032 | | | | | | | | 8 | |
| 10 | NY105041L | NUT-NYLOC | 5310-99-122-5494 | | | | | | | | 8 | |
| 11 | R346849 | BUSH-BONNET HINGE | 2540-99-824-3038 | | | | | | | | 2 | |
| 12 | HYG4449 | BONNET & FRAME ASSY | 2510-66-128-6349 | | | | | | | | 1 | |
| 13 | SF106251 | SCREW | 5305-66-128-5452 | | | | | | | | 6 | |
| 14 | MRC9244 | HINGE-BONNET | 2510-99-796-6161 | | | | | | | | 2 | |
| 15 | WL106001L | WASHER-LOCK | 5310-99-137-9232 | | | | | | | | 6 | |
| 16 | NH106041L | NUT | 5310-66-098-4401 | | | | | | | | 6 | |
| | MM106301 | RIVNUT | 5310-66-128-5543 | | | | | | | | 6 | |
| | SE106161L | SCREW-BONNET TO FRAME | 5305-99-135-0440 | | | | | | | | 6 | |
| | WL106001L | WASHER-LOCK | 5310-99-137-9232 | | | | | | | | 6 | |
| 17 | NSS | | | | | | | | | | | |
| 18 | NH108044 | NUT | 5310-66-128-4924 | | | | | | | | 4 | |
| 19 | SE108404L | SCREW | 5305-66-128-4926 | | | | | | | | 4 | |
| 20 | R391287 | BUFFER-RUBBER | 5340-99-825-6031 | | | | | | | | 4 | |
| 21 | MWC9361 | PIN-STRIKER-BONNET | 2540-66-128-5450 | | | | | | | | 1 | |
| 22 | AFU1105 | WASHER-PLAIN | | | | | | | | | 3 | |
| 23 | WS108001L | WASHER-LOCK | 5310-99-135-9324 | | | | | | | | 1 | |
| | R395143 | STAPLE-ELASTIC STRAPS | 2540-99-824-6204 | | | | | | | | 4 | |
| | RA612123L | POP RIVET-STAPLE TO SCUTTLE | | | | | | | | | 6 | |

GROUP SM/2

**BONNET, PROP SUPPORT AND FITTINGS
- LRPV ONLY**

PERENTIE LAND ROVER PARTS LIST

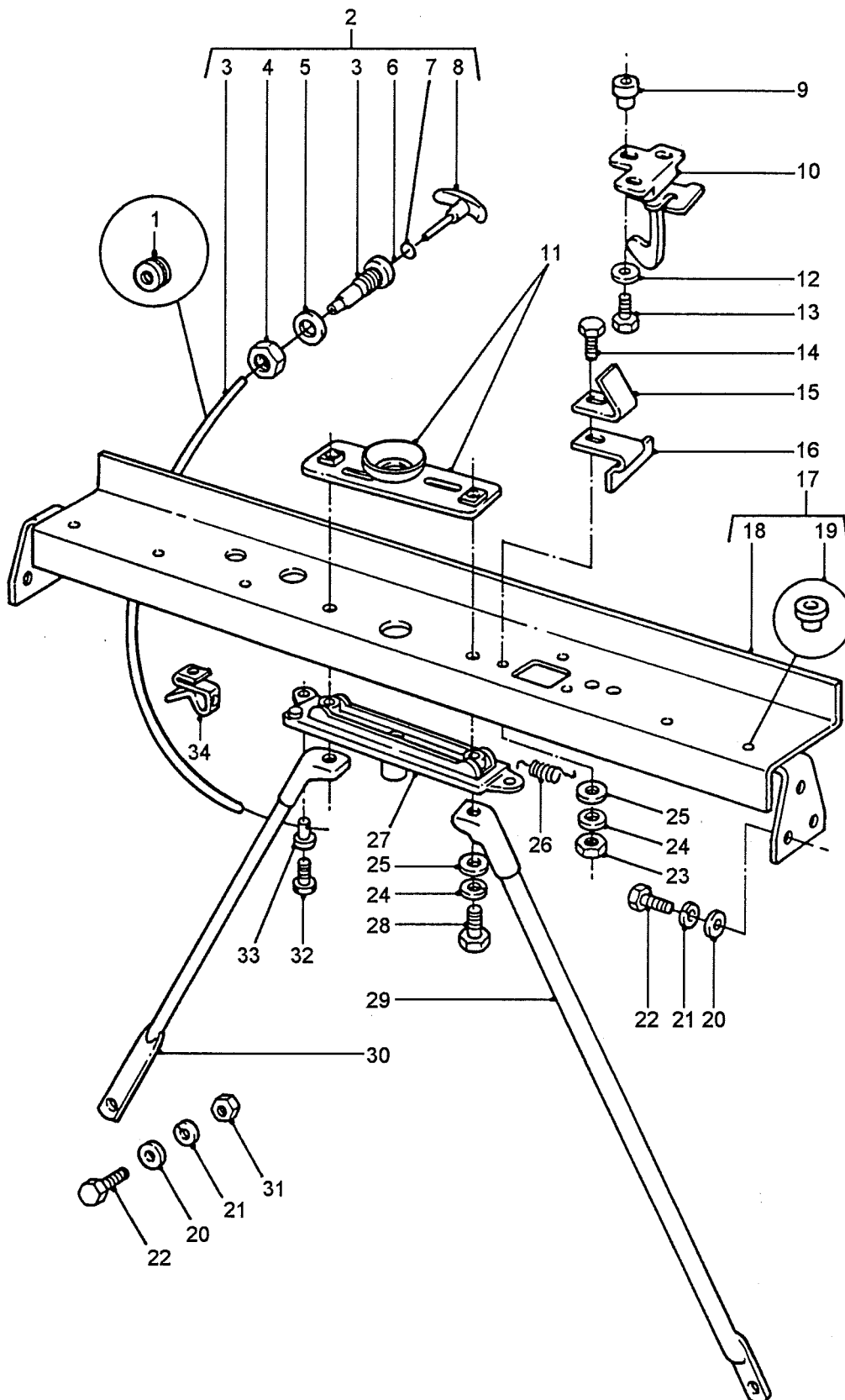
SM /2/1 BONNET, PROP SUPPORT AND FITTINGS - LRPV ONLY

| <u>ITEM</u> | <u>PART NO.</u> | <u>DESCRIPTION</u> | <u>NSN</u> | <u>2185</u> | <u>2186</u> | <u>2208</u> | <u>2209</u> | <u>2210</u> | <u>2211</u> | <u>2212</u> | <u>2219</u> | <u>CP</u> |
|-------------|-----------------|--|------------------|-------------|-------------|-------------|-------------|-------------|-------------|-------------|-------------|-----------|
| | RA612183 | POP RIVET-STAPLE TO SCREEN WASH JET MTG | 5320-66-128-4653 | | | | | | | | | 2 |

CHANGE POINT

ARN INTRODUCTION

GROUP SMA/1



**GRILLE TOP PANEL, BRACE AND
CABLE RELEASE MECHANISM**

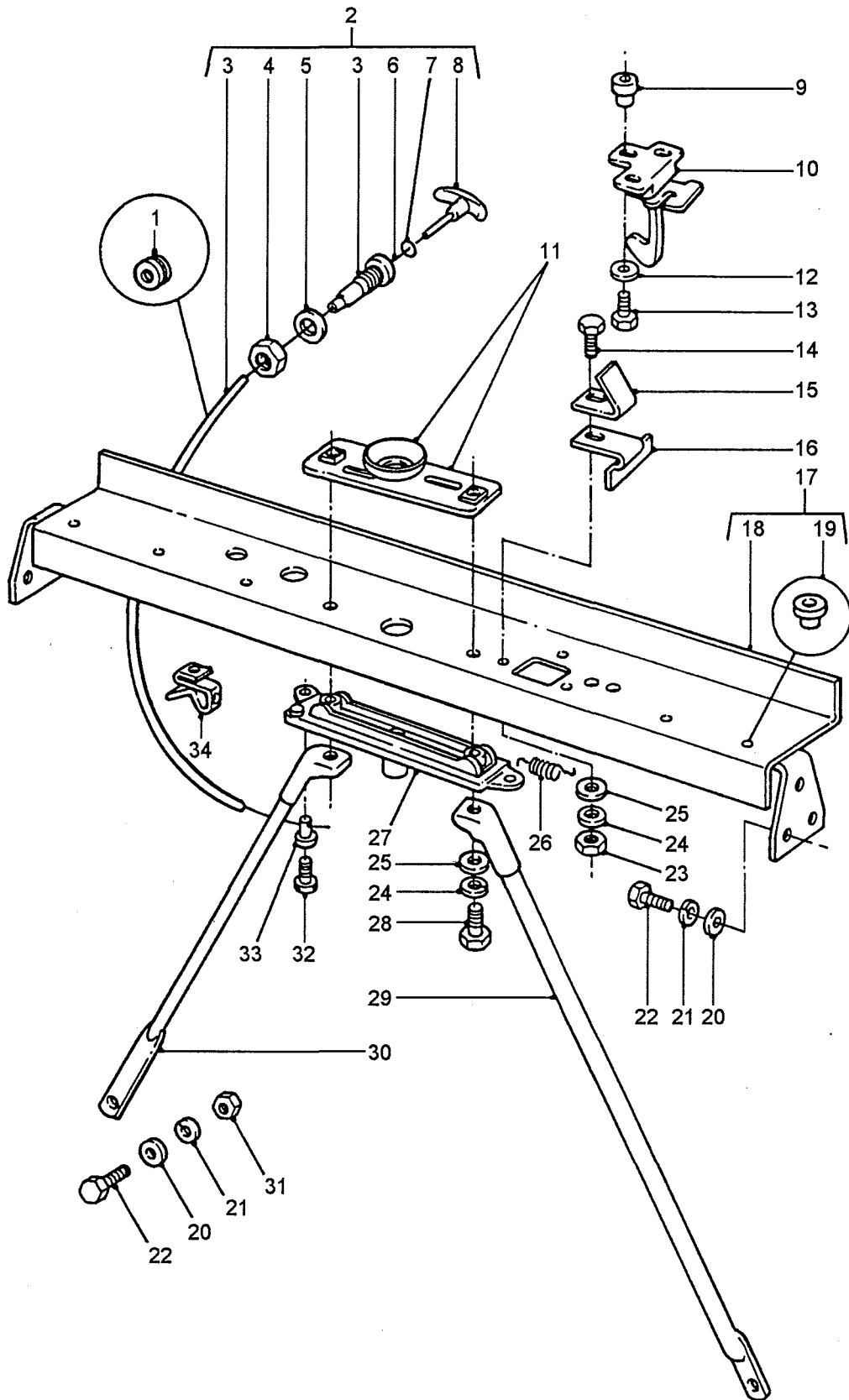
PERENTIE LAND ROVER PARTS LIST

SMA /1/1 GRILLE TOP PANEL, BRACE AND CABLE RELEASE MECHANISM

DERIVATIVE CODE

| ITEM | PART NO. | DESCRIPTION | NSN | DERIVATIVE CODE | | | | | | | |
|------|-----------|---|------------------|-----------------|------|------|------|------|------|------|------|
| | | | | 2185 | 2186 | 2208 | 2209 | 2210 | 2211 | 2212 | 2219 |
| 1 | R235113 | GROMMET | 5325-99-804-8115 | 2 | 2 | 2 | 2 | 2 | | 2 | 2 |
| 2 | MXC7354 | CABLE-BONNET | 2540-99-741-6000 | 1 | 1 | 1 | 1 | 1 | | 1 | 1 |
| 3 | NSS | | | | | | | | | | |
| 4 | NSS | | | | | | | | | | |
| 5 | NSS | | | | | | | | | | |
| 6 | NSS | | | | | | | | | | |
| 7 | NSS | | | | | | | | | | |
| 8 | NSS | | | | | | | | | | |
| 9 | NN106021 | NUTSERT | 5310-99-138-4838 | 3 | 3 | 3 | 3 | 3 | | 3 | 3 |
| 10 | MUC6457 | HOOK-BONNET | 2540-66-128-4788 | 1 | 1 | 1 | 1 | 1 | | 1 | 1 |
| 11 | MUC4804 | PLATE-WASHER-BONNET CATCH | 2540-66-128-4790 | 1 | 1 | 1 | 1 | 1 | | 1 | 1 |
| 12 | WF106001L | WASHER-LOCK | 5310-66-128-4931 | 3 | 3 | 3 | 3 | 3 | | 3 | 3 |
| 13 | SE106161L | SCREW | 5305-99-135-0440 | 3 | 3 | 3 | 3 | 3 | | 3 | 3 |
| 14 | FS106161 | SCREW | 5305-99-122-5360 | 1 | 1 | 1 | 1 | 1 | | 1 | 1 |
| 15 | MWC3339 | PLATE-BONNET CATCH | 2540-66-128-5166 | 1 | 1 | 1 | 1 | 1 | | 1 | 1 |
| 16 | R393218 | PLATE-ADJUSTING | 2540-66-128-4791 | 1 | 1 | 1 | 1 | 1 | | 1 | 1 |
| 17 | HYG5496 | PANEL-GRILLE TOP ASSY (INCLUDES ITEMS 18-19) | 2510-66-128-5449 | 1 | 1 | 1 | 1 | 1 | | 1 | 1 |
| 18 | HYG5495 | PANEL-GRILLE TOP | | 1 | 1 | 1 | 1 | 1 | | 1 | 1 |
| 19 | MM105301 | RIVNUT | 5310-66-128-6277 | 6 | 6 | 6 | 6 | 6 | | 6 | 6 |
| 20 | WA108051L | WASHER-PLAIN | 5310-99-122-6475 | 8 | 8 | 8 | 8 | 8 | | 8 | 8 |
| 21 | WL108001L | WASHER-LOCK | 5310-99-138-9227 | 6 | 6 | 6 | 6 | 6 | | 6 | 6 |
| 22 | FS108201 | SCREW | 5305-99-122-5366 | 6 | 6 | 6 | 6 | 6 | | 6 | 6 |
| 23 | NH106041L | NUT | 5310-66-098-4401 | 1 | 1 | 1 | 1 | 1 | | 1 | 1 |
| 24 | WL106001L | WASHER-LOCK | 5310-99-137-9232 | 3 | 3 | 3 | 3 | 3 | | 3 | 3 |
| 25 | WA106041L | WASHER-PLAIN | 5310-66-098-4440 | 3 | 3 | 3 | 3 | 3 | | 3 | 3 |
| 26 | R351991 | SPRING-RETURN | 5360-99-825-6033 | 1 | 1 | 1 | 1 | 1 | | 1 | 1 |
| 27 | ALR2385 | CATCH-BONNET | | 1 | 1 | 1 | 1 | 1 | | 1 | 1 |
| 28 | SH106301L | SCREW | 5305-99-122-5363 | 2 | 2 | 2 | 2 | 2 | | 2 | 2 |

GROUP SMA/1



**GRILLE TOP PANEL, BRACE AND
CABLE RELEASE MECHANISM**

PERENTIE LAND ROVER PARTS LIST

SMA /1/1 GRILLE TOP PANEL, BRACE AND CABLE RELEASE MECHANISM

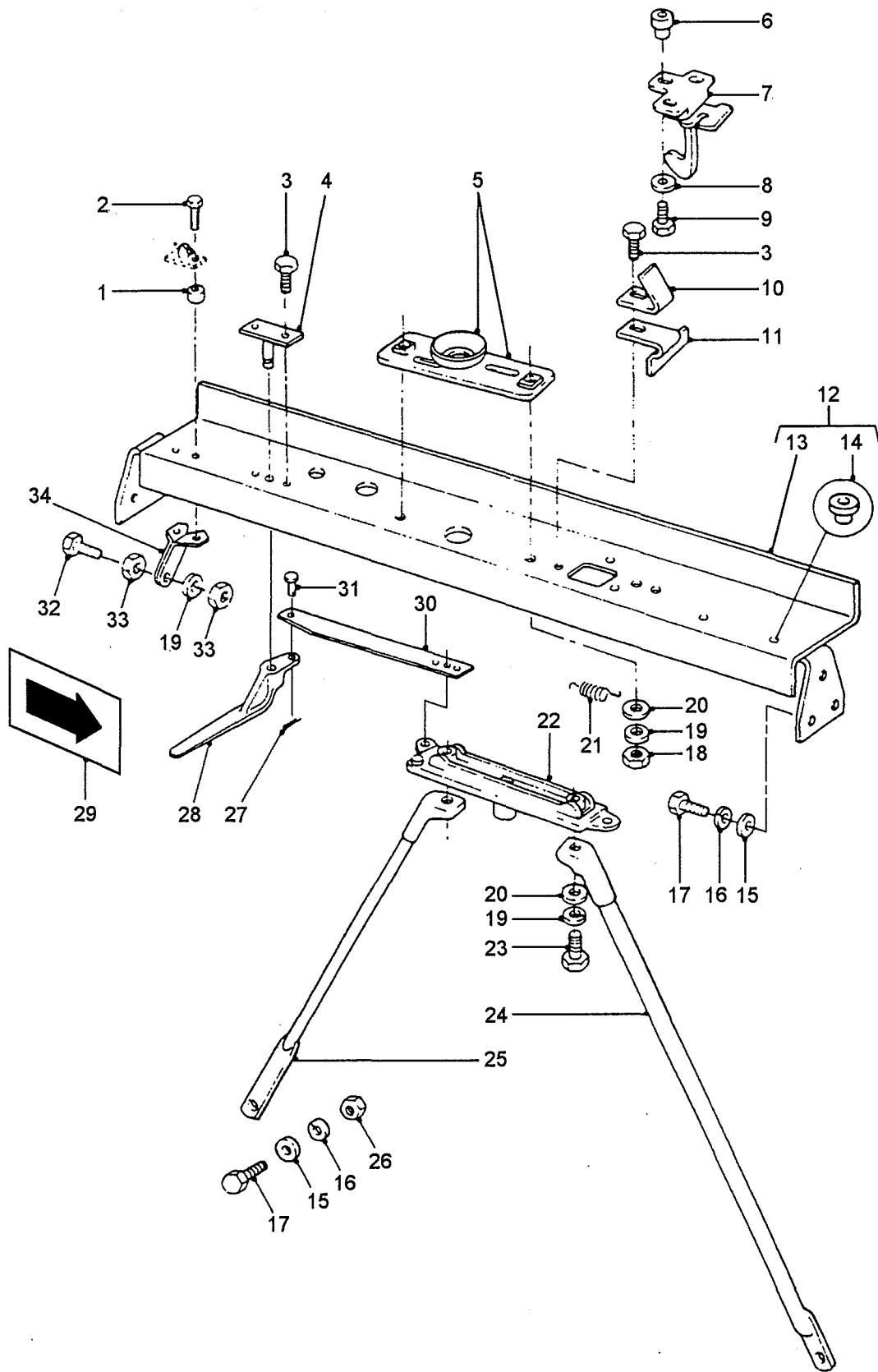
DERIVATIVE CODE

| <u>ITEM</u> | <u>PART NO.</u> | <u>DESCRIPTION</u> | <u>NSN</u> | <u>2185</u> | <u>2186</u> | <u>2208</u> | <u>2209</u> | <u>2210</u> | <u>2211</u> | <u>2212</u> | <u>2219</u> | <u>CP</u> |
|-------------|-----------------|---------------------|------------------|-------------|-------------|-------------|-------------|-------------|-------------|-------------|-------------|-----------|
| 29 | MUC6659 | TUBE-CROSS BRACE-LH | 2510-66-128-4806 | 1 | 1 | 1 | 1 | 1 | | 1 | 1 | |
| 30 | MUC6658 | TUBE-CROSS BRACE-RH | 2510-66-128-4827 | 1 | 1 | 1 | 1 | 1 | | 1 | 1 | |
| 31 | FN108041 | NUT | 5310-99-499-8033 | 2 | 2 | 2 | 2 | 2 | | 2 | 2 | |
| 32 | R257194 | SCREW | 5305-99-138-0316 | 1 | 1 | 1 | 1 | 1 | | 1 | 1 | |
| 33 | R356225 | RETAINER | 2590-99-825-6034 | 1 | 1 | 1 | 1 | 1 | | 1 | 1 | |
| 34 | 13H489L | CLIP-CABLE TO CATCH | 5340-99-827-2588 | 1 | 1 | 1 | 1 | 1 | | 1 | 1 | |

CHANGE POINT

ARN INTRODUCTION

Jan 1996

GROUP SMA/2

**GRILLE TOP PANEL, BRACE AND
EXTERNAL RELEASE MECHANISM**

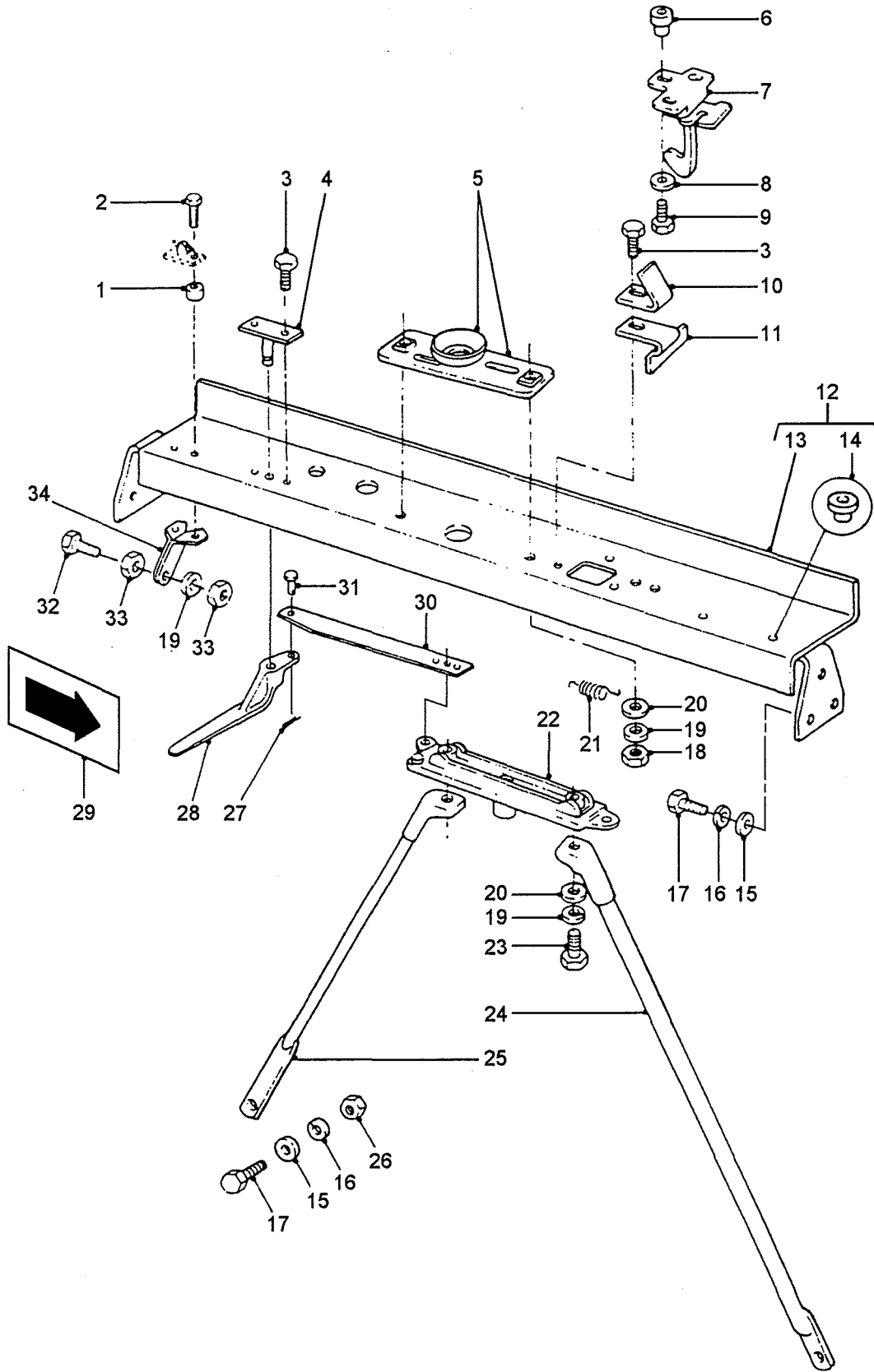
PERENTIE LAND ROVER PARTS LIST

SMA /2/1 GRILLE TOP PANEL, BRACE AND EXTERNAL RELEASE MECHANISM

DERIVATIVE CODE

| ITEM | PART NO. | DESCRIPTION | NSN | DERIVATIVE CODE | | | | | | | | |
|------|-----------|---|------------------|-----------------|------|------|------|------|------|------|------|----|
| | | | | 2185 | 2186 | 2208 | 2209 | 2210 | 2211 | 2212 | 2219 | CP |
| 1 | HYG6336 | SPACER | | 2 | 2 | 2 | 2 | 2 | 2 | 2 | 2 | 2 |
| 2 | SF103251 | SCREW | | 2 | 2 | 2 | 2 | 2 | 2 | 2 | 2 | 2 |
| | WA103001L | WASHER-PLAIN | 5310-99-122-3030 | 2 | 2 | 2 | 2 | 2 | 2 | 2 | 2 | 2 |
| | NY103041 | NUT-NYLOC | 5310-99-119-3324 | 2 | 2 | 2 | 2 | 2 | 2 | 2 | 2 | 2 |
| 3 | FS106161 | SCREW | 5305-99-122-5360 | 2 | 2 | 2 | 2 | 2 | 2 | 2 | 2 | 2 |
| | WA106041L | WASHER-PLAIN | 5310-66-098-4440 | 2 | 2 | 2 | 2 | 2 | 2 | 2 | 2 | 2 |
| | NY106041L | NUT-NYLOC | 5310-99-138-8423 | 2 | 2 | 2 | 2 | 2 | 2 | 2 | 2 | 2 |
| 4 | HYG6007 | PIVOT PLATE | | 1 | 1 | 1 | 1 | 1 | 1 | 1 | 1 | 1 |
| 5 | MUC4804 | PLATE-WASHER-BONNET CATCH | 2540-66-128-4790 | 1 | 1 | 1 | 1 | 1 | 1 | 1 | 1 | 1 |
| 6 | NN106021 | NUTSERT | 5310-99-138-4838 | 3 | 3 | 3 | 3 | 3 | 3 | 3 | 3 | 3 |
| 7 | MUC6457 | HOOK-BONNET | 2540-66-128-4788 | 1 | 1 | 1 | 1 | 1 | 1 | 1 | 1 | 1 |
| 8 | WF106001L | WASHER-LOCK | 5310-66-128-4931 | 3 | 3 | 3 | 3 | 3 | 3 | 3 | 3 | 3 |
| 9 | SE106161L | SCREW | 5305-99-135-0440 | 3 | 3 | 3 | 3 | 3 | 3 | 3 | 3 | 3 |
| 10 | MWC3339 | PLATE-BONNET CATCH | 2540-66-128-5166 | 1 | 1 | 1 | 1 | 1 | 1 | 1 | 1 | 1 |
| 11 | R393218 | PLATE-ADJUSTING | 2540-66-128-4791 | 1 | 1 | 1 | 1 | 1 | 1 | 1 | 1 | 1 |
| 12 | HYG5496 | PANEL-GRILLE TOP ASSY (INCLUDES ITEMS 13-14) | 2510-66-128-5449 | 1 | 1 | 1 | 1 | 1 | 1 | 1 | 1 | 1 |
| 13 | HYG5495 | PANEL-GRILLE TOP | | 1 | 1 | 1 | 1 | 1 | 1 | 1 | 1 | 1 |
| 14 | MM105301 | RIVNUT | 5310-66-128-6277 | 6 | 6 | 6 | 6 | 6 | 6 | 6 | 6 | 6 |
| 15 | WA108051L | WASHER-PLAIN | 5310-99-122-6475 | 8 | 8 | 8 | 8 | 8 | 8 | 8 | 8 | 8 |
| 16 | WL108001L | WASHER-LOCK | 5310-99-138-9227 | 8 | 8 | 8 | 8 | 8 | 8 | 8 | 8 | 8 |
| 17 | FS108201 | SCREW | 5305-99-122-5366 | 8 | 8 | 8 | 8 | 8 | 8 | 8 | 8 | 8 |
| 18 | NH106041L | NUT | 5310-66-098-4401 | 1 | 1 | 1 | 1 | 1 | 1 | 1 | 1 | 1 |
| 19 | WL106001L | WASHER-LOCK | 5310-99-137-9232 | 4 | 4 | 4 | 4 | 4 | 4 | 4 | 4 | 4 |
| 20 | WA106041L | WASHER-PLAIN | 5310-66-098-4440 | 3 | 3 | 3 | 3 | 3 | 3 | 3 | 3 | 3 |
| 21 | R351991 | SPRING-RETURN | 5360-99-825-6033 | 1 | 1 | 1 | 1 | 1 | 1 | 1 | 1 | 1 |
| 22 | ALR2385 | CATCH-BONNET | | 1 | 1 | 1 | 1 | 1 | 1 | 1 | 1 | 1 |
| 23 | SH106301L | SCREW | 5305-99-122-5363 | 2 | 2 | 2 | 2 | 2 | 2 | 2 | 2 | 2 |
| 24 | MUC6659 | TUBE-CROSS BRACE-LH | 2510-66-128-4806 | 1 | 1 | 1 | 1 | 1 | 1 | 1 | 1 | 1 |

GROUP SMA/2



GRILLE TOP PANEL, BRACE AND EXTERNAL RELEASE MECHANISM

PERENTIE LAND ROVER PARTS LIST

SMA /2/1 GRILLE TOP PANEL, BRACE AND EXTERNAL RELEASE MECHANISM

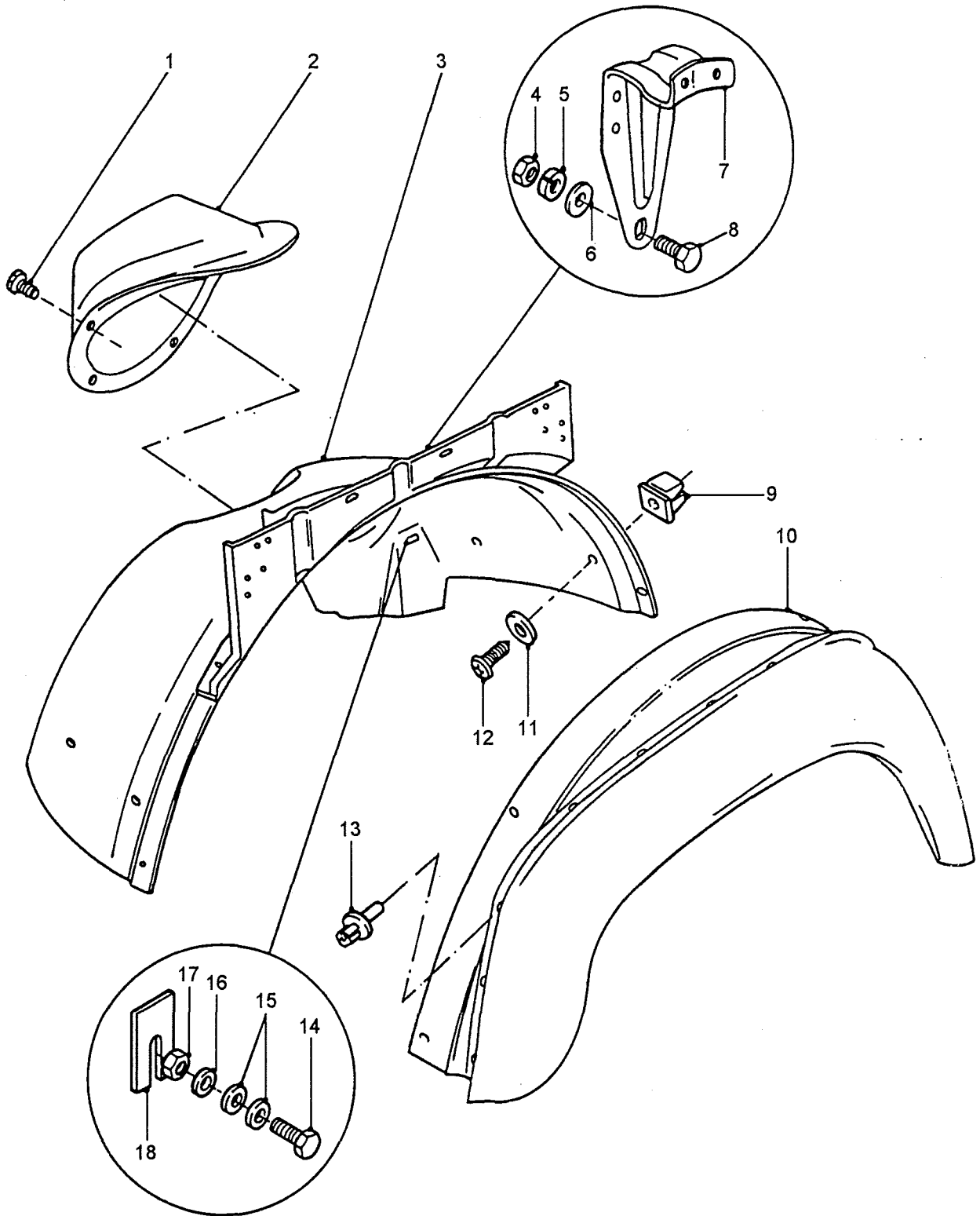
DERIVATIVE CODE

| <u>ITEM</u> | <u>PART NO.</u> | <u>DESCRIPTION</u> | <u>NSN</u> | <u>2185</u> | <u>2186</u> | <u>2208</u> | <u>2209</u> | <u>2210</u> | <u>2211</u> | <u>2212</u> | <u>2219</u> | <u>CP</u> |
|-------------|-----------------|---|------------------|-------------|-------------|-------------|-------------|-------------|-------------|-------------|-------------|-----------|
| 25 | MUC6658 | TUBE-CROSS BRACE-RH | 2510-66-128-4827 | 1 | 1 | 1 | 1 | 1 | 1 | 1 | 1 | |
| 26 | FN108041 | NUT | 5310-99-499-8033 | 2 | 2 | 2 | 2 | 2 | 2 | 2 | 2 | |
| 27 | PS103101L | SPLIT PIN | 5315-99-282-2094 | 2 | 2 | 2 | 2 | 2 | 2 | 2 | 2 | |
| 28 | HYG6212 | RELAY LEVER-BONNET RELEASE | | 1 | 1 | 1 | 1 | 1 | 1 | 1 | 1 | |
| 29 | MYH3604 | LABEL-BONNET RELEASE | 7690-66-128-6424 | 1 | 1 | 1 | 1 | 1 | 1 | 1 | 1 | |
| 30 | HYG4933 | LINK-RELAY LEVER TO BONNET CATCH | | 1 | 1 | 1 | 1 | 1 | 1 | 1 | 1 | |
| 31 | PC105241 | PIN-CLEVIS | | 2 | 2 | 2 | 2 | 2 | 2 | 2 | 2 | |
| 32 | SH106601 | SCREW | | 1 | 1 | 1 | 1 | 1 | 1 | 1 | 1 | |
| 33 | NY106041L | NUT-NYLOC | 5310-99-138-8423 | 2 | 2 | 2 | 2 | 2 | 2 | 2 | 2 | |
| | SH106251L | SCREW-STOP PLATE TO GRILLE TOP PANEL | 5305-99-122-5362 | 2 | 2 | 2 | 2 | 2 | 2 | 2 | 2 | |
| | WA106041L | WASHER-PLAIN | 5310-66-098-4440 | 4 | 4 | 4 | 4 | 4 | 4 | 4 | 4 | |
| | NY106041L | NUT-NYLOC | 5310-99-138-8423 | 2 | 2 | 2 | 2 | 2 | 2 | 2 | 2 | |
| 34 | HYG6213 | PLATE-STOP -RELAY LEVER | | 1 | 1 | 1 | 1 | 1 | 1 | 1 | 1 | |
| | RFR208 | GROMMET-CABLE HOLE IN SCUTTLE | 5325-66-089-5324 | 1 | 1 | 1 | 1 | 1 | 1 | 1 | 1 | |

CHANGE POINT

ARN INTRODUCTION

GROUP SMB



FRONT WHEEL ARCH PANELS AND TRIM

PERENTIE LAND ROVER PARTS LIST

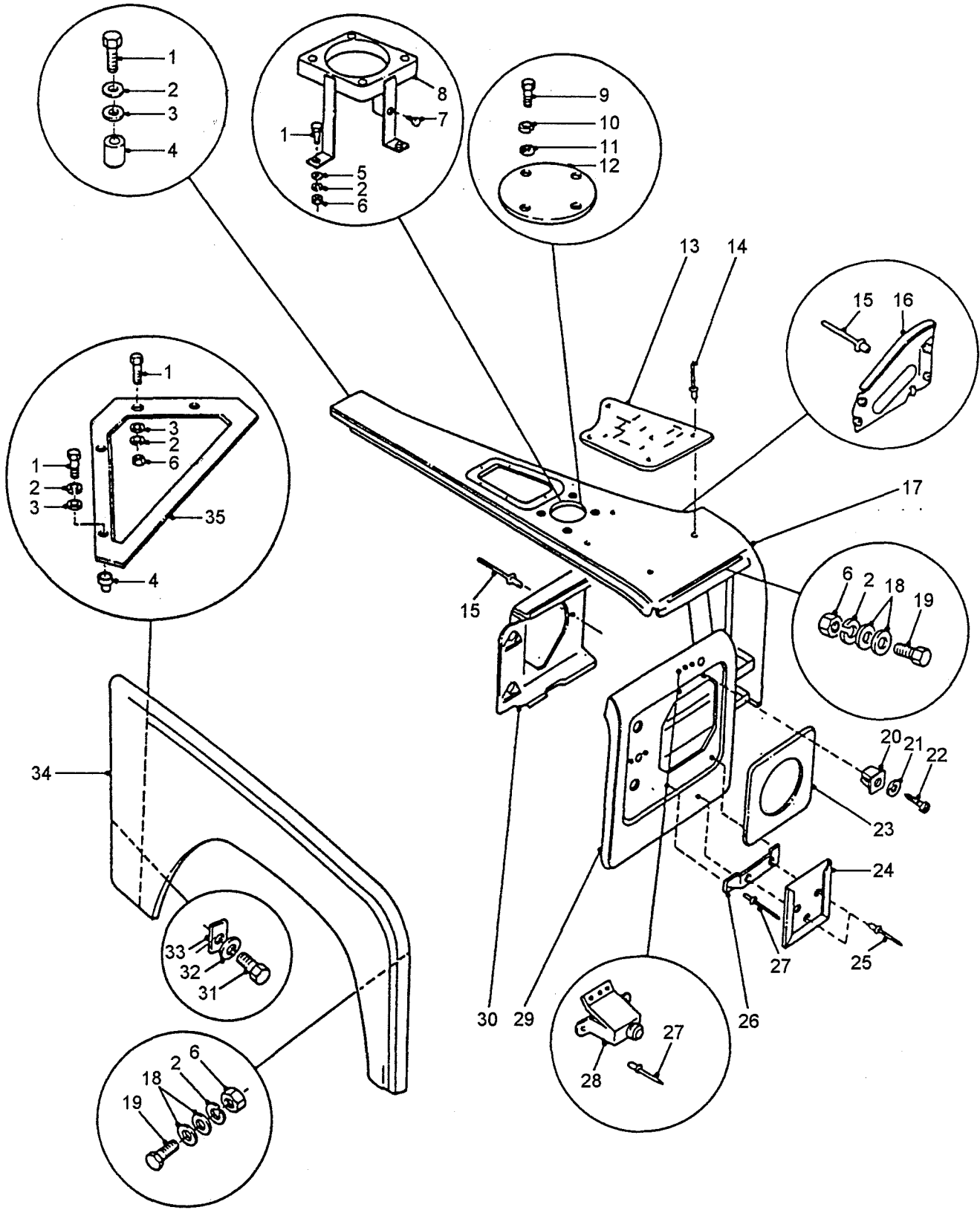
SMB /1/1 FRONT WHEEL ARCH PANELS AND TRIM

| ITEM | PART NO. | DESCRIPTION | NSN | DERIVATIVE CODE | | | | | | | | |
|------|-----------|------------------------------|------------------|-----------------|------|------|------|------|------|------|------|----|
| | | | | 2185 | 2186 | 2208 | 2209 | 2210 | 2211 | 2212 | 2219 | CP |
| 1 | AR608021L | SCREW | 5305-66-128-4933 | 12 | 12 | 12 | 12 | 12 | 12 | 12 | 12 | |
| 2 | MRC9520 | COVER | 2590-99-780-7424 | 2 | 2 | 2 | 2 | 2 | 2 | 2 | 2 | |
| 3 | HYG5501 | WHEEL ARCH ASSY-FRONT-LH | 2510-66-128-5446 | 1 | 1 | 1 | 1 | 1 | 1 | 1 | 1 | |
| | HYG5502 | WHEEL ARCH ASSY-FRONT-RH | 2510-66-128-5445 | 1 | 1 | 1 | 1 | 1 | 1 | 1 | 1 | |
| 4 | AFU1280 | NUT-BLIND-ANCHOR | 5310-99-138-4838 | 4 | 4 | 4 | 4 | 4 | 4 | 4 | 4 | |
| 5 | WL106001L | WASHER-LOCK | 5310-99-137-9232 | 4 | 4 | 4 | 4 | 4 | 4 | 4 | 4 | |
| 6 | WA106041L | WASHER-PLAIN | 5310-66-098-4440 | 4 | 4 | 4 | 4 | 4 | 4 | 4 | 4 | |
| 7 | MRC9735 | STAY-WING SUPPORT-LH SIDE | 2510-66-128-4850 | 1 | 1 | 1 | 1 | 1 | 1 | 1 | 1 | |
| | HYG1873 | BRACKET-WING-RH SIDE | 2510-66-128-5444 | 1 | 1 | 1 | 1 | 1 | | | 1 | 1 |
| | HYG5889 | BRACKET-WING-RH SIDE | | | | | | | | 1 | | |
| 8 | FS106161 | SCREW | 5305-99-122-5360 | 4 | 4 | 4 | 4 | 4 | 4 | 4 | 4 | |
| 9 | CZK3164 | NUT | 5310-99-137-6550 | 8 | 8 | 8 | 8 | 8 | 8 | 8 | 8 | |
| 10 | MRC9377 | MOULDING-FRONT-LH | 2510-99-721-4392 | 1 | 1 | 1 | 1 | 1 | 1 | 1 | 1 | |
| | MRC9378 | MOULDING-FRONT-RH | 2510-99-721-4393 | 1 | 1 | 1 | 1 | 1 | 1 | 1 | 1 | |
| 11 | AFU1069 | WASHER-PLAIN | 5310-66-128-4934 | 8 | 8 | 8 | 8 | 8 | 8 | 8 | 8 | |
| 12 | AB614061L | SCREW | 5305-99-137-2811 | 8 | 8 | 8 | 8 | 8 | 8 | 8 | 8 | |
| 13 | AFU1075 | RIVET-PLASTIC | 5320-99-740-0798 | 32 | 32 | 32 | 32 | 32 | | | 32 | 32 |
| | MYH3272 | POP RIVET | | | | | | | | | 32 | |
| | WC105001L | WASHER-PLAIN | 5310-99-122-3032 | | | | | | | | 32 | |
| 14 | FS108251 | SCREW | 5305-99-122-5367 | 4 | 4 | 4 | 4 | 4 | 4 | 4 | 4 | |
| | SH108501L | SCREW | 5305-99-136-3260 | 2 | 2 | 2 | 2 | 2 | 2 | 2 | 2 | |
| 15 | WA108051L | WASHER-PLAIN | 5310-99-122-6475 | 4 | 4 | 4 | 4 | 4 | 4 | 4 | 4 | |
| | AFU1079 | WASHER-PLAIN | 5310-66-128-4937 | 8 | 8 | 8 | 8 | 8 | 8 | 8 | 8 | |
| 16 | WM600051L | WASHER-LOCK | 5310-66-016-5980 | 6 | 6 | 6 | 6 | 6 | 6 | 6 | 6 | |
| 17 | FN108041 | NUT | 5310-99-499-8033 | 6 | 6 | 6 | 6 | 6 | 6 | 6 | 6 | |
| 18 | MRC4037 | SHIM | 2510-99-796-6134 | 12 | 12 | 12 | 12 | 12 | 12 | 12 | 12 | |

CHANGE POINT

ARN INTRODUCTION

GROUP SMC/1



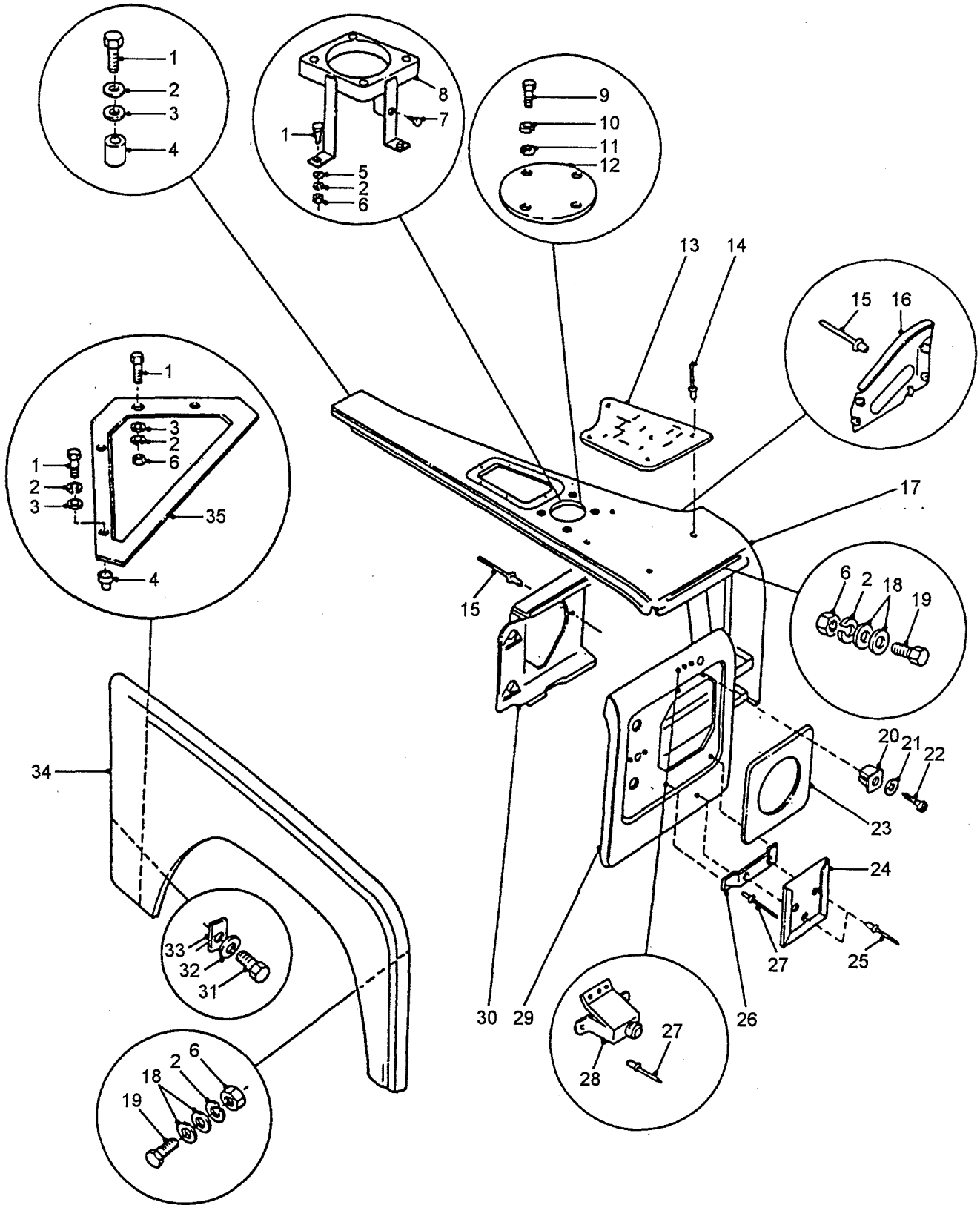
**FRONT TOP FENDER, MUDGUARD
AND WING PANEL - EXCEPT LRPV**

PERENTIE LAND ROVER PARTS LIST

SMC /1/1 FRONT TOP FENDER, MUDGUARD AND WING PANEL - EXCEPT LRPV DERIVATIVE CODE

| ITEM | PART NO. | DESCRIPTION | NSN | 2185 | 2186 | 2208 | 2209 | 2210 | 2211 | 2212 | 2219 | CP |
|------|-----------|------------------------------------|------------------|------|------|------|------|------|------|------|------|----|
| 1 | FS106201 | SCREW | 5305-99-122-5361 | 13 | 13 | 13 | 13 | 13 | | 13 | 13 | |
| 2 | WL106001L | WASHER-LOCK | 5310-99-137-9232 | 35 | 35 | 35 | 35 | 35 | | 35 | 35 | |
| 3 | WA106041L | WASHER-PLAIN | 5310-66-098-4440 | 10 | 10 | 10 | 10 | 10 | | 10 | 10 | |
| 4 | NN106021 | NUTSERT | 5310-99-138-4838 | 6 | 6 | 6 | 6 | 6 | | 6 | 6 | |
| 5 | WJ106001L | WASHER-PLAIN | 5310-66-128-4699 | 3 | 3 | 3 | 3 | 3 | | 3 | 3 | |
| 6 | NH106041L | NUT | 5310-66-098-4401 | 29 | 29 | 29 | 29 | 29 | | 29 | 29 | |
| 7 | MYH3337 | SCREW | 5305-66-128-5341 | 1 | 1 | 1 | 1 | 1 | | 1 | 1 | |
| 8 | HYG3477 | BRACKET-ANTENNA TO R-FRONT WING | 5985-66-128-5443 | 1 | 1 | 1 | 1 | 1 | | 1 | 1 | |
| 9 | S110301 | SCREW | 5305-66-098-4283 | 4 | 4 | 4 | 4 | 4 | | 4 | 4 | |
| 10 | WL110001L | WASHER-LOCK | 5310-99-138-9228 | 4 | 4 | 4 | 4 | 4 | | 4 | 4 | |
| 11 | WA110061L | WASHER-PLAIN | 5310-99-122-6476 | 4 | 4 | 4 | 4 | 4 | | 4 | 4 | |
| 12 | HYG3479 | COVER-ANTENNA APERTURE | | 1 | 1 | 1 | 1 | 1 | | 1 | 1 | |
| 13 | HYG5787 | REINFORCEMENT-RH | | 1 | 1 | 1 | 1 | 1 | | 1 | 1 | |
| | HYG3495 | REINFORCEMENT-LH | | 1 | 1 | 1 | 1 | 1 | | | 1 | |
| 14 | RJ612253 | POP RIVET | | 13 | 13 | 13 | 13 | 13 | | 13 | 13 | |
| 15 | R78248 | POP RIVET | 5320-99-970-3518 | 16 | 16 | 16 | 16 | 16 | | 16 | 16 | |
| 16 | MRC6051 | PLATE-TIE-RH | 2510-66-128-4869 | 1 | 1 | 1 | 1 | 1 | | 1 | 1 | |
| | MRC6052 | PLATE-TIE-LH | 2510-66-128-4868 | 1 | 1 | 1 | 1 | 1 | | 1 | 1 | |
| 17 | HYG5804 | FRONT WING & REINFORCEMENT ASSY-RH | 2510-66-128-6077 | 1 | 1 | 1 | 1 | 1 | | 1 | 1 | |
| | HYG5803 | FRONT WING & REINFORCEMENT ASSY-LH | 2510-66-128-6075 | 1 | 1 | 1 | 1 | 1 | | 1 | 1 | |
| 18 | AFU1080 | WASHER-PLAIN | 5310-99-740-0784 | 44 | 44 | 44 | 44 | 44 | | 44 | 44 | |
| 19 | FS106161 | SCREW | 5305-99-122-5360 | 22 | 22 | 22 | 22 | 22 | | 22 | 22 | |
| 20 | R79051 | NUT-LOKUT | 5310-99-138-0422 | 8 | 8 | 8 | 8 | 8 | | 8 | 8 | |
| 21 | MYH3346 | WASHER-NEOPRENE | 5310-66-128-5442 | 8 | 8 | 8 | 8 | 8 | | 8 | 8 | |
| 22 | AB608047 | SCREW | | 8 | 8 | 8 | 8 | 8 | | 8 | 8 | |
| 23 | R345631 | BEZEL-HEADLAMP | 2510-99-811-9099 | 2 | 2 | 2 | 2 | 2 | | 2 | 2 | |

GROUP SMC/1



**FRONT TOP FENDER, MUDGUARD
AND WING PANEL - EXCEPT LRPV**

PERENTIE LAND ROVER PARTS LIST

SMC /1/1 FRONT TOP FENDER, MUDGUARD AND WING PANEL - EXCEPT LRPV

DERIVATIVE CODE

| <u>ITEM</u> | <u>PART NO.</u> | <u>DESCRIPTION</u> | <u>NSN</u> | <u>2185</u> | <u>2186</u> | <u>2208</u> | <u>2209</u> | <u>2210</u> | <u>2211</u> | <u>2212</u> | <u>2219</u> | <u>CP</u> |
|-------------|-----------------|--|------------------|-------------|-------------|-------------|-------------|-------------|-------------|-------------|-------------|-----------|
| 24 | HYK2674 | HOLDER-UNIT SIGN | 2590-66-016-0815 | 2 | 2 | 2 | 2 | 2 | | 2 | 2 | |
| 25 | RU612123 | POP RIVET | 5320-66-128-4684 | 6 | 6 | 6 | 6 | 6 | | 6 | 6 | |
| 26 | HYG2728 | BRACKET-SIGN | 2540-66-128-4897 | 2 | 2 | 2 | 2 | 2 | | 2 | 2 | |
| 27 | RA612253L | POP RIVET | 5320-66-128-5117 | 14 | 14 | 14 | 14 | 14 | | 14 | 14 | |
| 28 | HYG2582 | BRACKET-REDUCED HEADLAMP | 2510-66-128-4895 | 2 | 2 | 2 | 2 | 2 | | 2 | 2 | |
| 29 | RTC6214 | PANEL-NOSE-RH | 2510-99-721-4386 | 1 | 1 | 1 | 1 | 1 | | 1 | 1 | |
| | RTC6354 | PANEL-NOSE-LH | 2510-99-721-4387 | 1 | 1 | 1 | 1 | 1 | | 1 | 1 | |
| 30 | MTC2062 | PANEL-MOUNTING-RH | 6220-66-128-4878 | 1 | 1 | 1 | 1 | 1 | | 1 | 1 | |
| | MTC2063 | PANEL-MOUNTING-LH | 6220-99-978-2258 | 1 | 1 | 1 | 1 | 1 | | 1 | 1 | |
| 31 | AM605061 | BOLT | 5305-99-137-4325 | 8 | 8 | 8 | 8 | 8 | | 8 | 8 | |
| 32 | WA108051L | WASHER-PLAIN | 5310-99-122-6475 | 8 | 8 | 8 | 8 | 8 | | 8 | 8 | |
| 33 | AK616011 | NUT-SPIRE | 5310-66-128-5441 | 8 | 8 | 8 | 8 | 8 | | 8 | 8 | |
| 34 | RTC6351 | PANEL-OUTER-RH | 2510-66-128-5050 | 1 | 1 | 1 | 1 | 1 | | 1 | 1 | |
| | RTC6350 | PANEL-OUTER-LH | 2510-66-128-5049 | 1 | 1 | 1 | 1 | 1 | | 1 | 1 | |
| 35 | HYG2856 | BRACKET-WING TO CAB -RH | 2590-66-128-5440 | 1 | 1 | 1 | 1 | 1 | | 1 | 1 | |
| | HYG2857 | BRACKET-WING TO CAB -LH | 2590-66-128-5439 | 1 | 1 | 1 | 1 | 1 | | 1 | 1 | |
| | MXC2932 | BOLT-ACME-OUTER PANEL TO WING TOP & NOSE PANEL | | 22 | 22 | 22 | 22 | 22 | | 22 | 22 | 01 |
| | R39001 | WASHER-PLAIN | | 22 | 22 | 22 | 22 | 22 | | 22 | 22 | 01 |
| | R79246 | NUT-SPIRE | | 20 | 20 | 20 | 20 | 20 | | 20 | 20 | 01 |
| | AH614011L | NUT-SPRING | | 2 | 2 | 2 | 2 | 2 | | 2 | 2 | 01 |

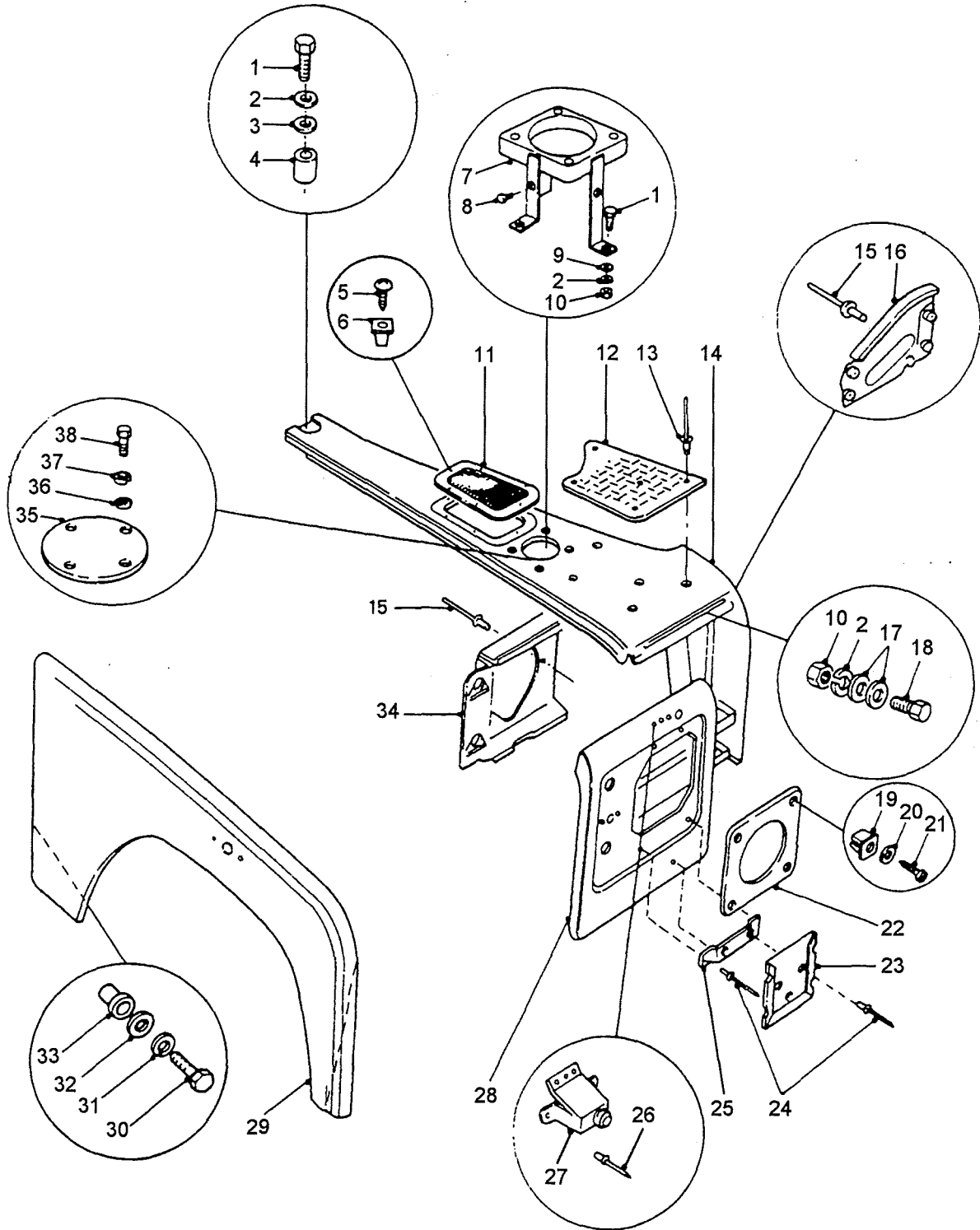
CHANGE POINT

ARN INTRODUCTION

1

INTRODUCED FROM AUGUST 1989 PRODUCTION - 6X6 CARGO AND WINCH

GROUP SMC/2



**FRONT FENDERS AND NOSE PANEL
- LRPV ONLY**

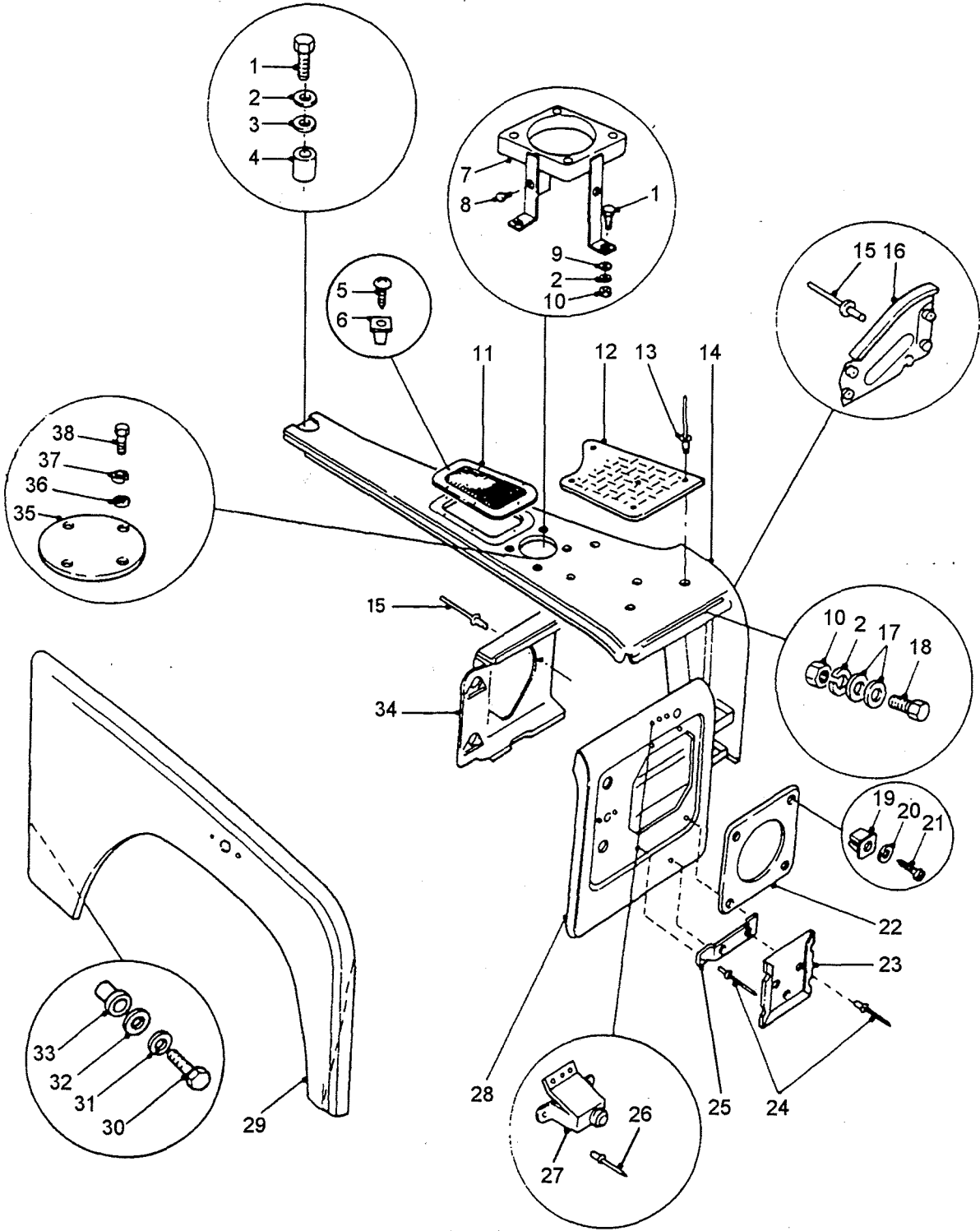
PERENTIE LAND ROVER PARTS LIST

SMC /2/1 FRONT FENDERS AND NOSE PANEL - LRPV ONLY

DERIVATIVE CODE

| ITEM | PART NO. | DESCRIPTION | NSN | DERIVATIVE CODE | | | | | | | |
|------|-----------|------------------------------------|------------------|-----------------|------|------|------|------|------|------|------|
| | | | | 2185 | 2186 | 2208 | 2209 | 2210 | 2211 | 2212 | 2219 |
| 1 | FS106201 | SCREW | 5305-99-122-5361 | | | | | | | | 5 |
| 2 | WL106001L | WASHER-LOCK | 5310-99-137-9232 | | | | | | | | 11 |
| 3 | WA106041L | WASHER-PLAIN | 5310-66-098-4440 | | | | | | | | 2 |
| 4 | NN106021 | NUTSERT | 5310-99-138-4838 | | | | | | | | 2 |
| 5 | AB608065 | SCREW-FINISHER TO LH WING | 5305-66-128-4725 | | | | | | | | 7 |
| | AB608055L | SCREW-FINISHER TO RH WING | 5305-66-128-4655 | | | | | | | | 7 |
| 6 | RTC3745 | NUT-LOKUT | 5310-99-137-6356 | | | | | | | | 14 |
| 7 | HYG3477 | BRACKET-ANTENNA TO RH FRONT WING | 5985-66-128-5443 | | | | | | | | 1 |
| 8 | MYH3337 | SCREW | 5305-66-128-5341 | | | | | | | | 1 |
| 9 | WJ106001L | WASHER-PLAIN | 5310-66-128-4699 | | | | | | | | 3 |
| 10 | NH106041L | NUT | 5310-66-098-4401 | | | | | | | | 9 |
| 11 | MRC9938 | FINISHER-AIR INTAKE-RH | 2540-99-771-6981 | | | | | | | | 1 |
| | MRC9939 | FINISHER-AIR INTAKE-LH | 2540-99-720-8156 | | | | | | | | 1 |
| 12 | HYG5787 | REINFORCEMENT-RH | | | | | | | | | 1 |
| | HYG3495 | REINFORCEMENT-LH | | | | | | | | | 1 |
| 13 | RJ612253 | POP RIVET | | | | | | | | | 13 |
| 14 | HYG5805 | FRONT WING & REINFORCEMENT ASSY-RH | 2510-66-128-6097 | | | | | | | | 1 |
| | HYG5806 | FRONT WING & REINFORCEMENT ASSY-LH | 2510-66-128-6098 | | | | | | | | 1 |
| | HYG5792 | SEAL-NOISE-BONNET TO WING | | | | | | | | | 2 |
| | WC105001L | WASHER-PLAIN-SEAL TO WING | 5310-99-122-3032 | | | | | | | | 16 |
| | R78248 | POP RIVET-SEAL TO WING | 5320-99-970-3518 | | | | | | | | 16 |
| 15 | R78248 | POP RIVET | 5320-99-970-3518 | | | | | | | | 16 |
| 16 | MRC6051 | PLATE-TIE-RH | 2510-66-128-4869 | | | | | | | | 1 |

GROUP SMC/2



**FRONT FENDERS AND NOSE PANEL
- LRPV ONLY**

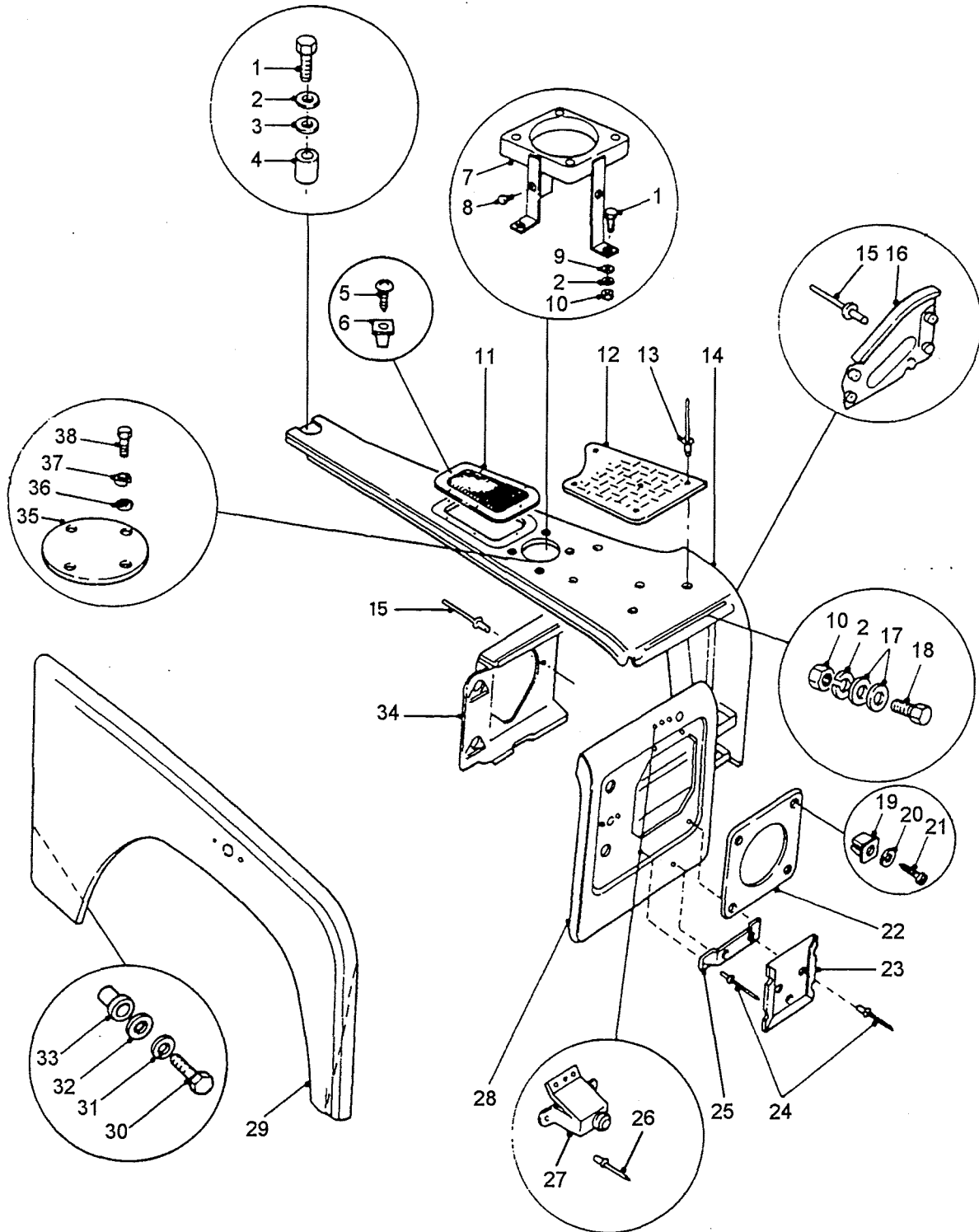
PERENTIE LAND ROVER PARTS LIST

SMC /2/1 FRONT FENDERS AND NOSE PANEL - LRPV ONLY

DERIVATIVE CODE

| ITEM | PART NO. | DESCRIPTION | NSN | DERIVATIVE CODE | | | | | | | | | | |
|------|-----------|---|------------------|-----------------|------|------|------|------|------|------|------|----|--|----|
| | | | | 2185 | 2186 | 2208 | 2209 | 2210 | 2211 | 2212 | 2219 | CP | | |
| | MRC6052 | PLATE-TIE-LH | 2510-66-128-4869 | | | | | | | | | | | 1 |
| 17 | AFU1080 | WASHER-PLAIN | 5310-99-740-0784 | | | | | | | | | | | 12 |
| 18 | FS106161 | SCREW | 5305-99-122-5360 | | | | | | | | | | | 6 |
| 19 | R79051 | NUT-LOKUT | 5310-99-138-0422 | | | | | | | | | | | 8 |
| 20 | MYH3346 | WASHER-NEOPRENE | 5310-66-128-5442 | | | | | | | | | | | 8 |
| 21 | AB608047 | SCREW | | | | | | | | | | | | 8 |
| 22 | R345631 | BEZEL-HEADLAMP | 2510-99-811-9099 | | | | | | | | | | | 2 |
| 23 | HYK2674 | HOLDER-UNIT SIGN | 2590-66-016-0815 | | | | | | | | | | | 2 |
| 24 | RU612123 | POP RIVET | 5320-66-128-4684 | | | | | | | | | | | 10 |
| 25 | HYG2728 | BRACKET-UNIT SIGN HOLDER | 2540-66-128-4897 | | | | | | | | | | | 2 |
| 26 | RA612253L | POP RIVET | 5320-66-128-5117 | | | | | | | | | | | 10 |
| 27 | HYG2582 | BRACKET-REDUCED HEADLAMP TO FRONT WING | 2510-66-128-4895 | | | | | | | | | | | 2 |
| 28 | RTC6214 | PANEL-NOSE-RH | 2510-99-721-4386 | | | | | | | | | | | 1 |
| | RTC6354 | PANEL-NOSE-LH | 2510-99-721-4387 | | | | | | | | | | | 1 |
| 29 | HYG4438 | PANEL-OUTER-RH | 2510-66-128-6352 | | | | | | | | | | | 1 |
| | HYG4439 | PANEL-OUTER-LH | 2510-66-128-6354 | | | | | | | | | | | 1 |
| 30 | FS108251 | SCREW-WINGS TO DASH | 5305-99-122-5367 | | | | | | | | | | | 8 |
| 31 | WL108001L | WASHER-LOCK | 5310-99-113-9227 | | | | | | | | | | | 8 |
| 32 | WA108051L | WASHER-PLAIN | 5310-99-122-6475 | | | | | | | | | | | 8 |
| 33 | MM108301 | RIVNUT | 5310-99-772-5133 | | | | | | | | | | | 8 |
| | FS108251 | SCREW-WING OUTER PANEL TO DASH-LOWER | 5305-99-122-5367 | | | | | | | | | | | 2 |
| | WA108051L | WASHER-PLAIN | 5310-99-122-6475 | | | | | | | | | | | 2 |
| | WL108001L | WASHER-LOCK | 5310-99-138-9227 | | | | | | | | | | | 2 |
| | MM108301 | RIVNUT | 5310-99-772-5133 | | | | | | | | | | | 2 |
| 34 | MTC2062 | PANEL-HEADLAMP MOUNTING-RH | 6220-66-128-4878 | | | | | | | | | | | 1 |
| | MTC2063 | PANEL-HEADLAMP MOUNTING-LH | 6220-99-978-2258 | | | | | | | | | | | 1 |

GROUP SMC/2



**FRONT FENDERS AND NOSE PANEL
- LRPV ONLY**

PERENTIE LAND ROVER PARTS LIST

SMC /2/1 FRONT FENDERS AND NOSE PANEL - LRPV ONLY

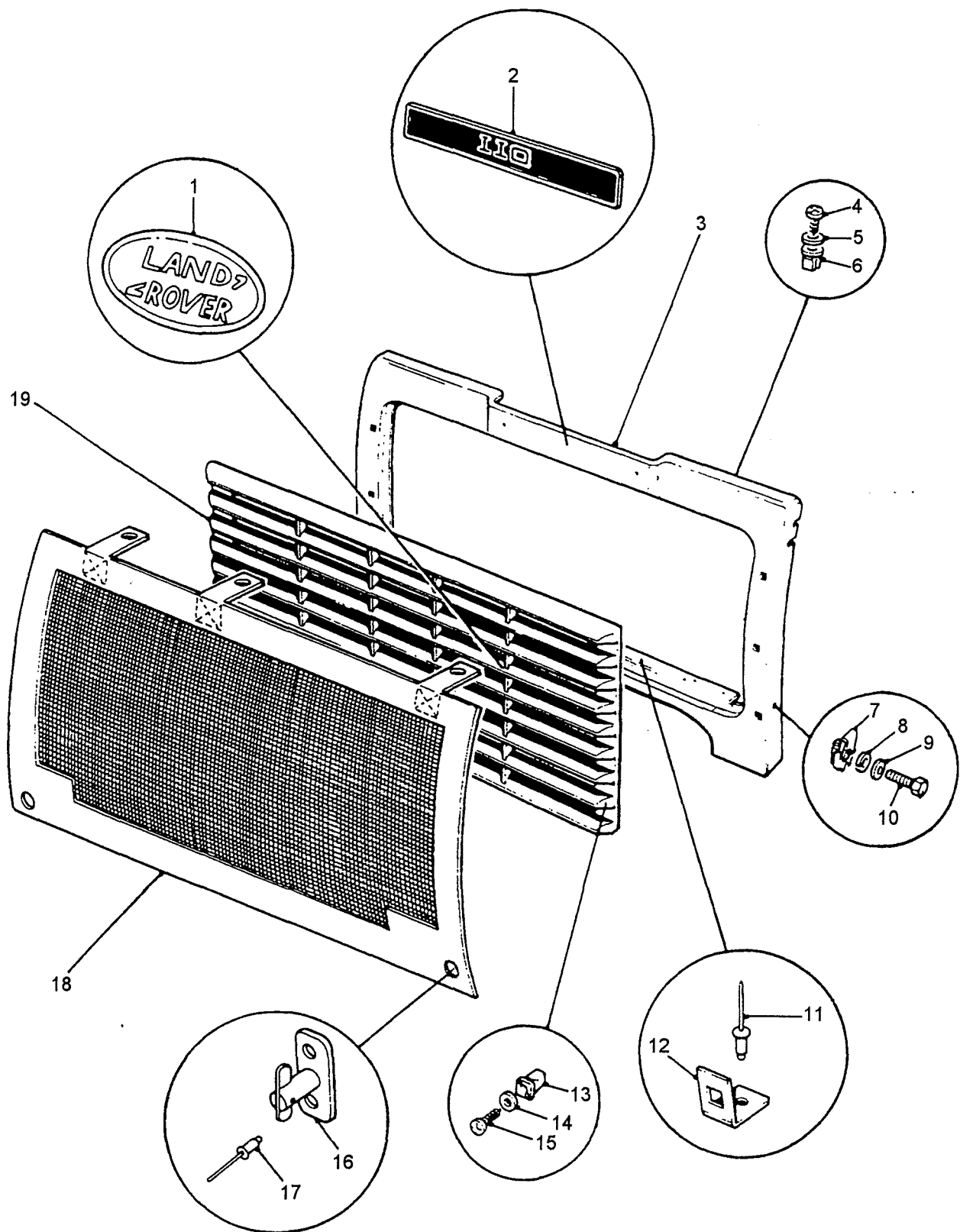
DERIVATIVE CODE

| <u>ITEM</u> | <u>PART NO.</u> | <u>DESCRIPTION</u> | <u>NSN</u> | <u>2185</u> | <u>2186</u> | <u>2208</u> | <u>2209</u> | <u>2210</u> | <u>2211</u> | <u>2212</u> | <u>2219</u> | <u>CP</u> |
|-------------|-----------------|--|------------------|-------------|-------------|-------------|-------------|-------------|-------------|-------------|-------------|-----------|
| 35 | HYG3479 | COVER-ANTENNA APERTURE | | | | | | | | | | 1 |
| 36 | WA110061L | WASHER-PLAIN | 5310-99-122-6476 | | | | | | | | | 4 |
| 37 | WL110001L | WASHER-LOCK | 5310-99-138-9228 | | | | | | | | | 4 |
| 38 | FS110301 | SCREW | 5305-66-098-4283 | | | | | | | | | 4 |
| | MXC2932 | BOLT-ACME-OUTER PANEL TO WING TOP & NOSE PANEL | | | | | | | | | | 22 |
| | R39001 | WASHER-PLAIN | | | | | | | | | | 22 |
| | R79246 | NUT-SPIRE | | | | | | | | | | 20 |
| | AH614011L | NUT-SPRING | | | | | | | | | | 2 |

CHANGE POINT

ARN INTRODUCTION

GROUP SN



RADIATOR GRILLE AND SCREEN

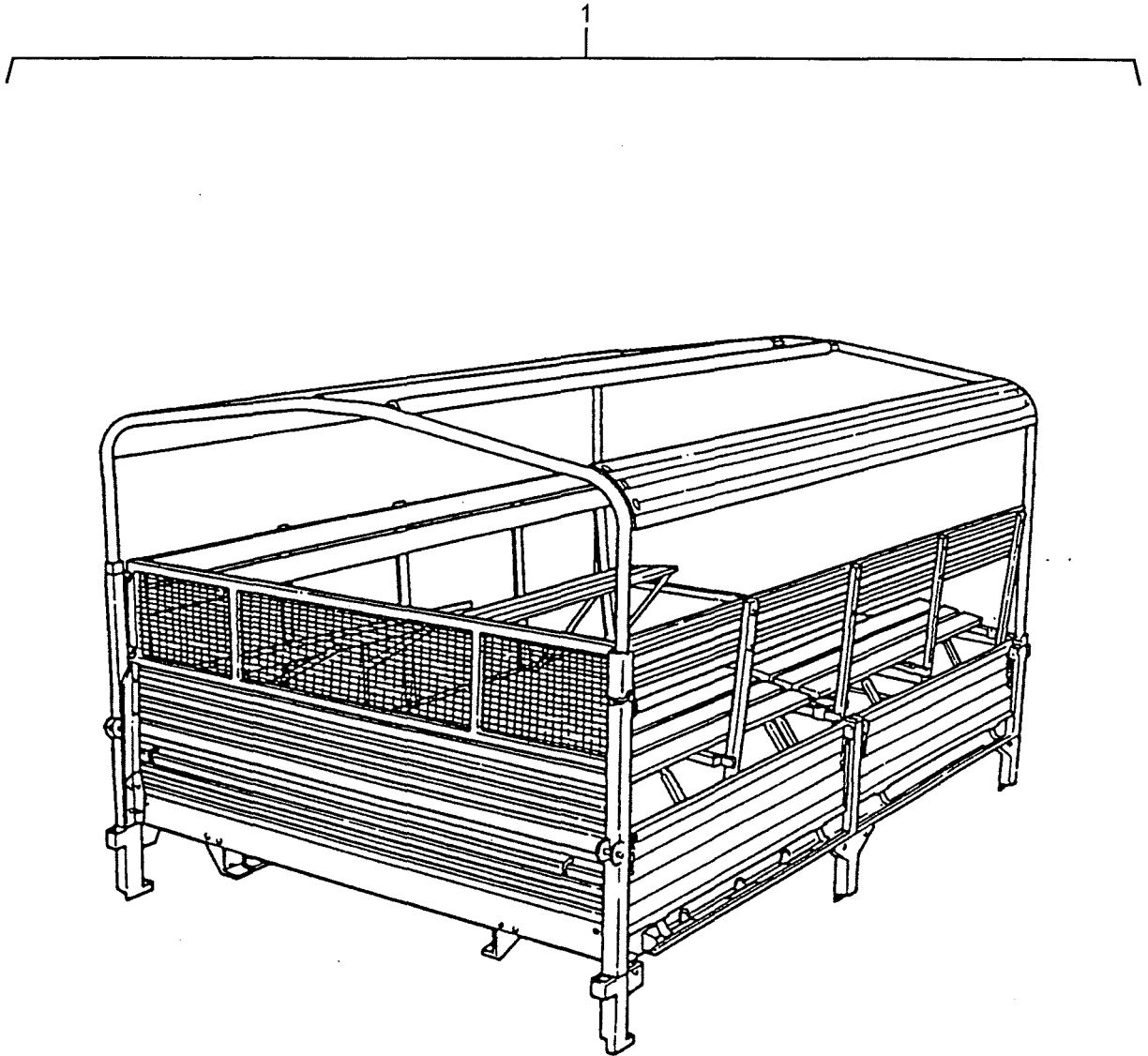
PERENTIE LAND ROVER PARTS LIST

| <u>ITEM</u> | <u>SN /1/1</u> <u>PART NO.</u> | <u>RADIATOR GRILLE AND SCREEN</u> <u>DESCRIPTION</u> | <u>NSN</u> | <u>DERIVATIVE CODE</u> | | | | | | | | |
|-------------|-----------------------------------|---|------------------|------------------------|-------------|-------------|-------------|-------------|-------------|-------------|-------------|-----------|
| | | | | <u>2185</u> | <u>2186</u> | <u>2208</u> | <u>2209</u> | <u>2210</u> | <u>2211</u> | <u>2212</u> | <u>2219</u> | <u>CP</u> |
| 1 | MXC6402 | BADGE-GRILLE | 2540-66-128-6100 | 1 | 1 | 1 | 1 | 1 | 1 | 1 | 1 | 1 |
| 2 | MXC6397 | DECAL-GRILLE-"110" | 2540-66-128-6101 | 1 | 1 | 1 | 1 | 1 | 1 | 1 | 1 | 1 |
| 3 | HYG2221 | PANEL-GRILLE | | 1 | 1 | 1 | 1 | 1 | 1 | 1 | 1 | 1 |
| 4 | SE105201L | SCREW | 5305-66-128-4766 | 6 | 6 | 6 | 6 | 6 | 6 | 6 | 6 | 6 |
| 5 | WC105001L | WASHER-PLAIN | 5310-99-122-3032 | 6 | 6 | 6 | 6 | 6 | 6 | 6 | 6 | 6 |
| | WL105001L | WASHER-LOCK | 5310-99-977-1102 | 6 | 6 | 6 | 6 | 6 | 6 | 6 | 6 | 6 |
| 6 | RTC3745 | NUT-LOCKUT | 5310-99-137-6356 | 6 | 6 | 6 | 6 | 6 | 6 | 6 | 6 | 6 |
| 7 | NJ108061 | NUT-RETAINER | 5310-99-741-7927 | 2 | 2 | 2 | 2 | 2 | 2 | 2 | 2 | 2 |
| 8 | WL108001L | WASHER-LOCK | 5310-99-138-9227 | 2 | 2 | 2 | 2 | 2 | 2 | 2 | 2 | 2 |
| 9 | WA108051L | WASHER-PLAIN | 5310-99-122-6475 | 2 | 2 | 2 | 2 | 2 | 2 | 2 | 2 | 2 |
| 10 | FS108201 | SCREW | 5305-99-122-5366 | 2 | 2 | 2 | 2 | 2 | 2 | 2 | 2 | 2 |
| 11 | R78248 | POP RIVET | 5320-99-970-3518 | 2 | 2 | 2 | 2 | 2 | 2 | 2 | 2 | 2 |
| 12 | MTC6827 | BRACKET-MTG. | 2510-66-128-4902 | 2 | 2 | 2 | 2 | 2 | 2 | 2 | 2 | 2 |
| 13 | MP105500 | RIVNUT | 5310-66-128-5438 | 8 | 8 | 8 | 8 | 8 | 8 | 8 | 8 | 8 |
| 14 | WA105001L | WASHER-PLAIN | 5310-99-122-3032 | 8 | 8 | 8 | 8 | 8 | 8 | 8 | 8 | 8 |
| | WL105001L | WASHER-LOCK | 5310-99-977-1102 | 8 | 8 | 8 | 8 | 8 | 8 | 8 | 8 | 8 |
| 15 | SE105201L | SCREW | 5305-66-128-4766 | 8 | 8 | 8 | 8 | 8 | 8 | 8 | 8 | 8 |
| 16 | MYH3392 | PIN-TOGGLE | 5315-66-128-6235 | 3 | 3 | 3 | 3 | 3 | 3 | 3 | 3 | 3 |
| 17 | RJ608183 | POP RIVET | 5320-66-128-6212 | 6 | 6 | 6 | 6 | 6 | 6 | 6 | 6 | 6 |
| 18 | HYG6332 | SCREEN-INSECT | 2540-66-128-6408 | | | | | | | 1 | | |
| 19 | MWC8466PUC | GRILLE-RADIATOR | 2510-99-721-3622 | 1 | 1 | 1 | 1 | 1 | 1 | 1 | 1 | 1 |

CHANGE POINT

ARN INTRODUCTION

GROUP SQ/1



**CARGO BODY ASSEMBLY
- EXCEPT CREW CAB**

PERENTIE LAND ROVER PARTS LIST

SQ /1/1 CARGO BODY ASSEMBLY - EXCEPT CREW CAB

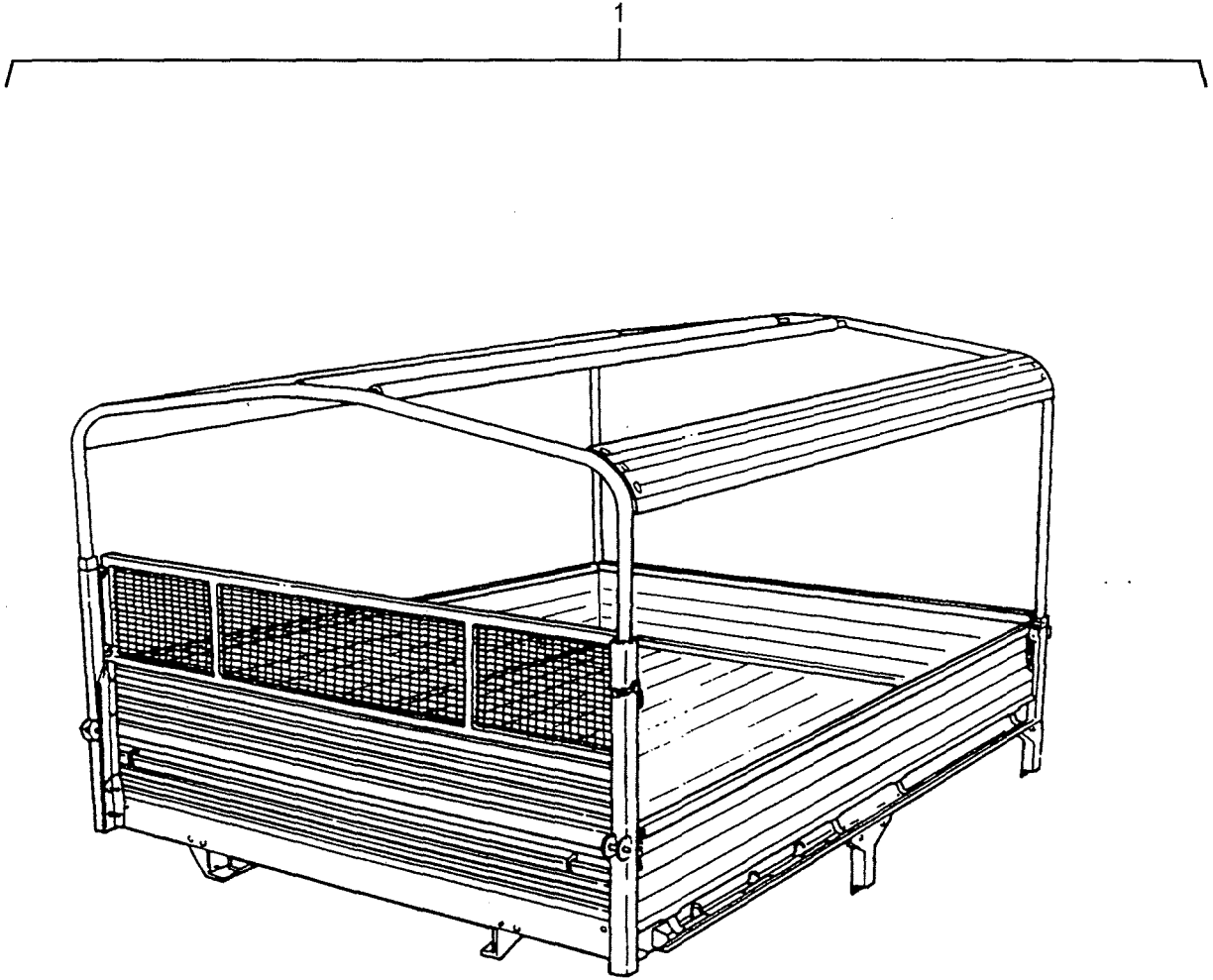
DERIVATIVE CODE

| <u>ITEM</u> | <u>PART NO.</u> | <u>DESCRIPTION</u> | <u>NSN</u> | <u>2185</u> | <u>2186</u> | <u>2208</u> | <u>2209</u> | <u>2210</u> | <u>2211</u> | <u>2212</u> | <u>2219</u> | <u>CP</u> |
|-------------|-----------------|--------------------|------------|-------------|-------------|-------------|-------------|-------------|-------------|-------------|-------------|-----------|
| 1 | HYG2282 | BODY ASSEMBLY-REAR | | 1 | 1 | | | | | | | |

CHANGE POINT

ARN INTRODUCTION

GROUP SQ/2



**CARGO BODY ASSEMBLY
- CREW CAB ONLY**

PERENTIE LAND ROVER PARTS LIST

SQ /2/1

CARGO BODY ASSEMBLY - CREW CAB ONLY

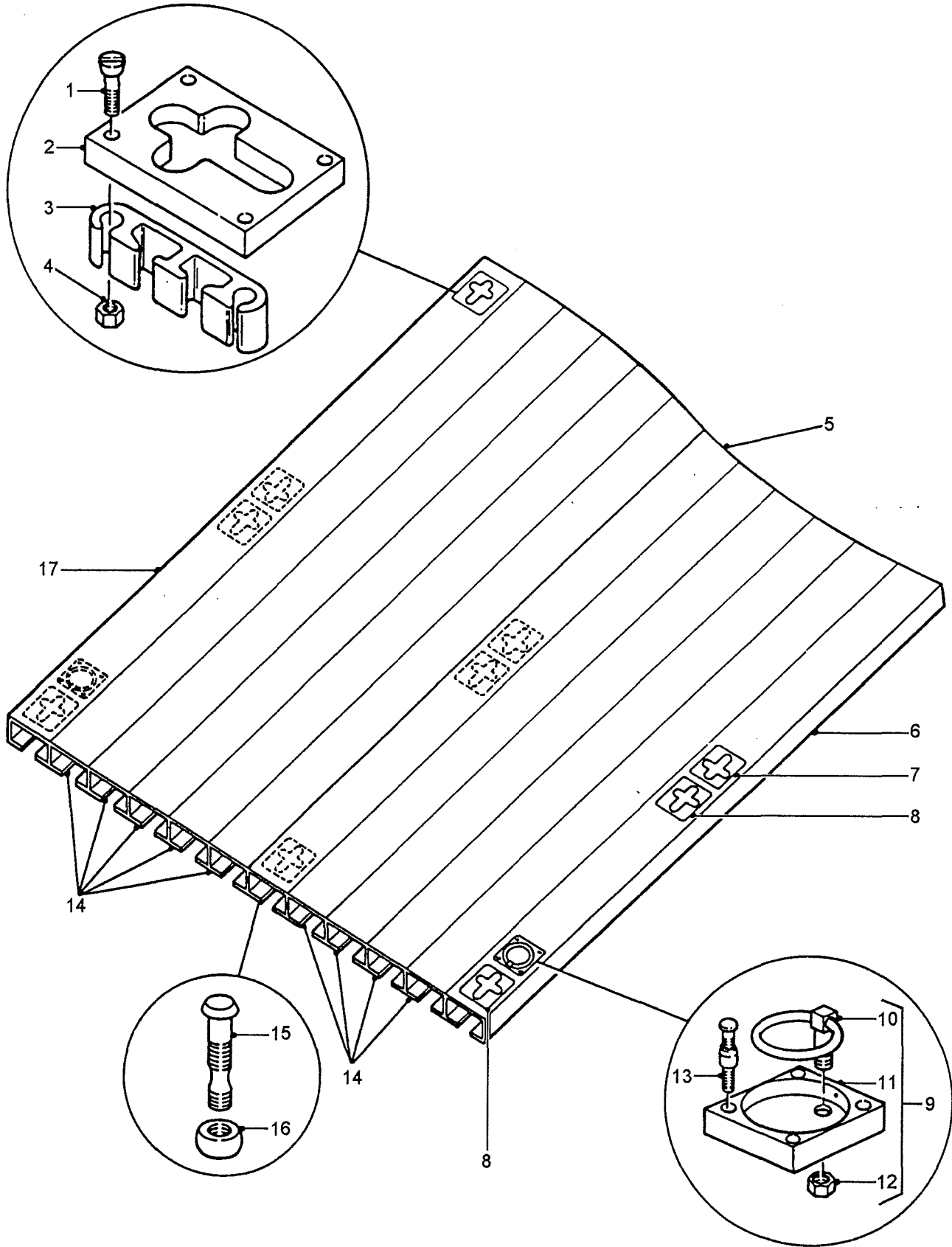
DERIVATIVE CODE

| <u>ITEM</u> | <u>PART NO.</u> | <u>DESCRIPTION</u> | <u>NSN</u> | <u>2185</u> | <u>2186</u> | <u>2208</u> | <u>2209</u> | <u>2210</u> | <u>2211</u> | <u>2212</u> | <u>2219</u> | <u>CP</u> |
|-------------|-----------------|--------------------|------------|-------------|-------------|-------------|-------------|-------------|-------------|-------------|-------------|-----------|
| 1 | HYG5866 | BODY ASSEMBLY-REAR | | | | | | | | | | 1 |

CHANGE POINT

ARN INTRODUCTION

GROUP SQA/1



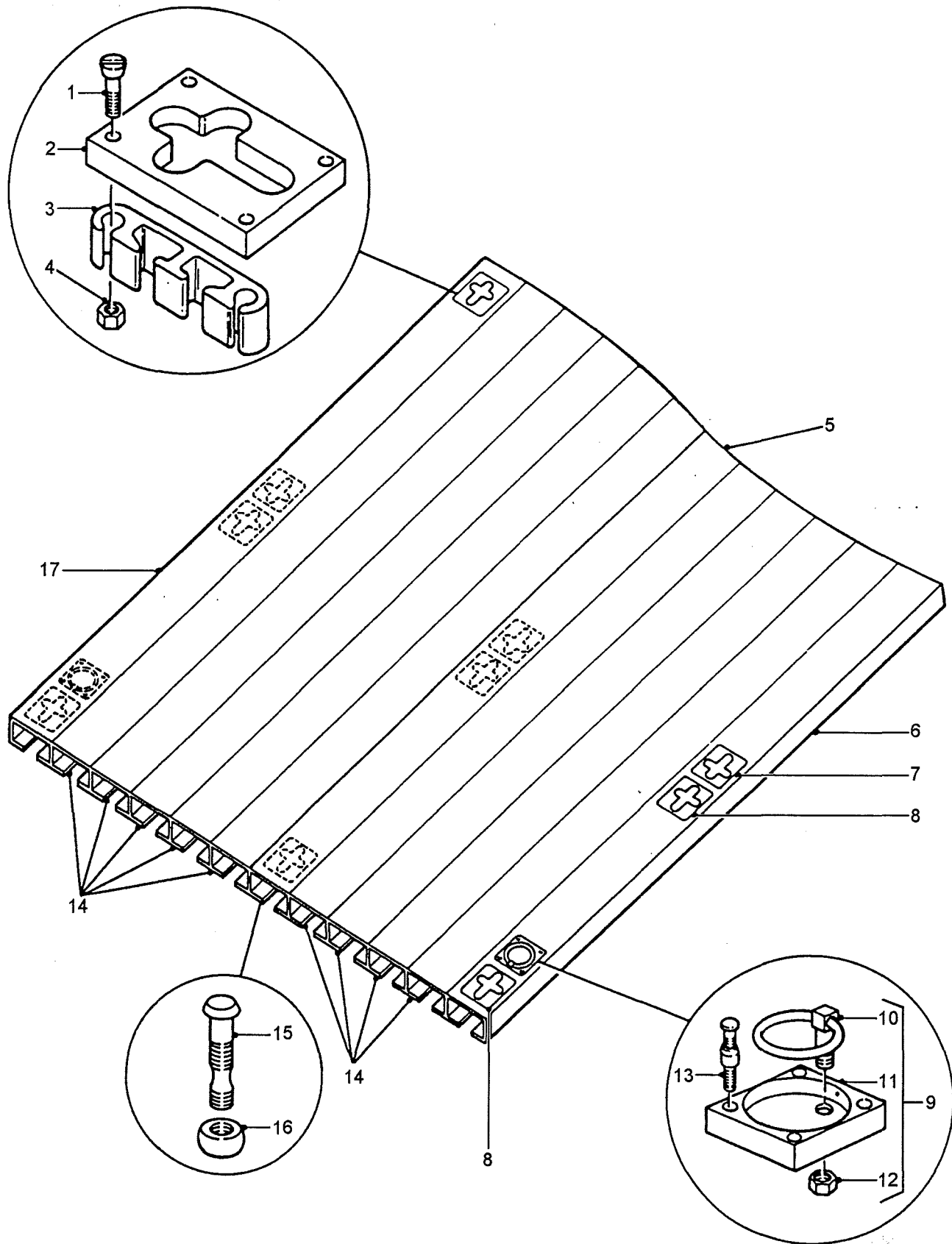
**CARGO BODY FLOOR PANELS AND FITTINGS
- EXCEPT CREW CAB**

PERENTIE LAND ROVER PARTS LIST

SQA /1/1 CARGO BODY FLOOR PANELS AND FITTINGS - EXCEPT CREW CAB

DERIVATIVE CODE

| <u>ITEM</u> | <u>PART NO.</u> | <u>DESCRIPTION</u> | <u>NSN</u> | <u>2185</u> | <u>2186</u> | <u>2208</u> | <u>2209</u> | <u>2210</u> | <u>2211</u> | <u>2212</u> | <u>2219</u> | <u>CP</u> |
|-------------|-----------------|--|------------------|-------------|-------------|-------------|-------------|-------------|-------------|-------------|-------------|-----------|
| 1 | HYL8921 | SCREW | 5305-66-128-5490 | 80 | 80 | | | | | | | |
| 2 | HYL8922 | SOCKET-SEAT FITTING-LH | 2540-66-128-5491 | 8 | 8 | | | | | | | |
| | HYL8923 | SOCKET-SEAT FITTING-RH | 2540-66-128-5492 | 8 | 8 | | | | | | | |
| 3 | HYL8924 | SPACER | 2540-66-128-5493 | 13 | 13 | | | | | | | |
| | HYL9060 | SPACER-INTERMEDIATE | 2540-66-128-5540 | 13 | 13 | | | | | | | |
| | HYL9061 | SPACER-LONG | 2540-66-128-5541 | 13 | 13 | | | | | | | |
| 4 | HYL8925 | NUT-NYLOC | 5310-66-128-5494 | 80 | 80 | | | | | | | |
| 5 | HYL8926 | PLANK-NO 10 | | 1 | 1 | | | | | | | |
| 6 | HYL8927 | PLANK-STARTER-FRONT | | 1 | 1 | | | | | | | |
| 7 | HYL8928 | SOCKET-SEAT FITTING | 2540-66-128-5495 | 2 | 2 | | | | | | | |
| 8 | HYL8929 | SOCKET-SEAT FITTING | 2540-66-128-5496 | 2 | 2 | | | | | | | |
| 9 | HYL8930 | RING ASSY-CARGO TIE DOWN | 2540-66-128-5497 | 6 | 6 | | | | | | | |
| 10 | NSS | | | | | | | | | | | |
| 11 | NSS | | | | | | | | | | | |
| 12 | NY110041L | NUT-NYLOC | 5310-99-122-5497 | 6 | 6 | | | | | | | |
| 13 | HYL8931 | MONOBOLT | 5306-66-128-5498 | 24 | 24 | | | | | | | |
| 14 | HYL8932 | PLANK-FLOOR | | 18 | 18 | | | | | | | |
| 15 | HYL8933 | HUCKBOLT | 5306-66-128-5499 | 36 | 36 | | | | | | | |
| 16 | HYL8934 | COLLAR | 3040-66-128-5500 | 36 | 36 | | | | | | | |
| 17 | HYL8935 | PLANK-FINISHING-REAR (TAILGATE HINGES ATTACH TO THIS ITEM) | | 1 | 1 | | | | | | | |
| | SH112351 | SCREW-TRAY CENTRE CHANNELS TO CHASSIS | 5305-99-122-8675 | 12 | 12 | | | | | | | |
| | WA112081L | WASHER-PLAIN | 5310-99-122-6477 | 12 | 12 | | | | | | | |
| | NY112041L | NUT-NYLOC | 5310-99-768-7269 | 12 | 12 | | | | | | | |
| | FB108101 | BOLT-MESHGUARD TO FRONT POST | 5306-99-122-5256 | 4 | 4 | | | | | | | |
| | WA108051L | WASHER-PLAIN | 5310-99-122-6475 | 4 | 4 | | | | | | | |

GROUP SQA/1

**CARGO BODY FLOOR PANELS AND FITTINGS
- EXCEPT CREW CAB**

PERENTIE LAND ROVER PARTS LIST

SQA /1/1 CARGO BODY FLOOR PANELS AND FITTINGS - EXCEPT CREW CAB

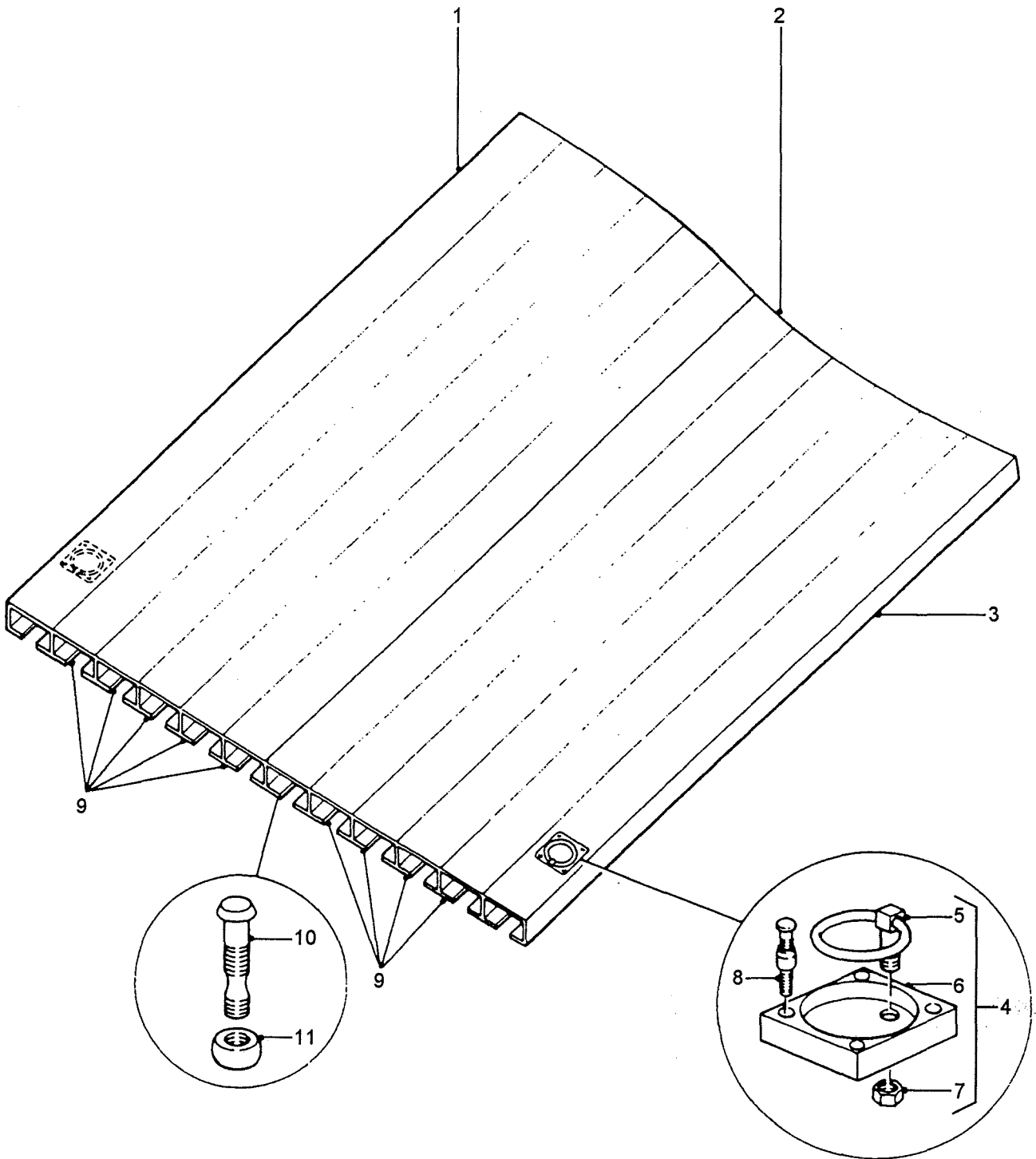
DERIVATIVE CODE

| <u>ITEM</u> | <u>PART NO.</u> | <u>DESCRIPTION</u> | <u>NSN</u> | <u>2185</u> | <u>2186</u> | <u>2208</u> | <u>2209</u> | <u>2210</u> | <u>2211</u> | <u>2212</u> | <u>2219</u> | <u>CP</u> |
|-------------|-----------------|--------------------------------------|------------------|-------------|-------------|-------------|-------------|-------------|-------------|-------------|-------------|-----------|
| | NY108041L | NUT-NYLOC | 5310-99-122-5496 | 4 | 4 | | | | | | | |
| | BH106181 | BOLT-STOP-FRT, CENTRE & REAR POST | | 6 | 6 | | | | | | | |
| | WA106041L | WASHER-PLAIN | 5310-66-098-4440 | 12 | 12 | | | | | | | |
| | NY106041L | NUT-NYLOC | 5310-99-138-8423 | 6 | 6 | | | | | | | |

CHANGE POINT

ARN INTRODUCTION

GROUP SQA/2



**CARGO BODY FLOOR PANELS AND FITTINGS
- CREW CAB ONLY**

PERENTIE LAND ROVER PARTS LIST

SQA /2/1

CARGO BODY FLOOR PANELS AND FITTINGS - CREW CAB ONLY

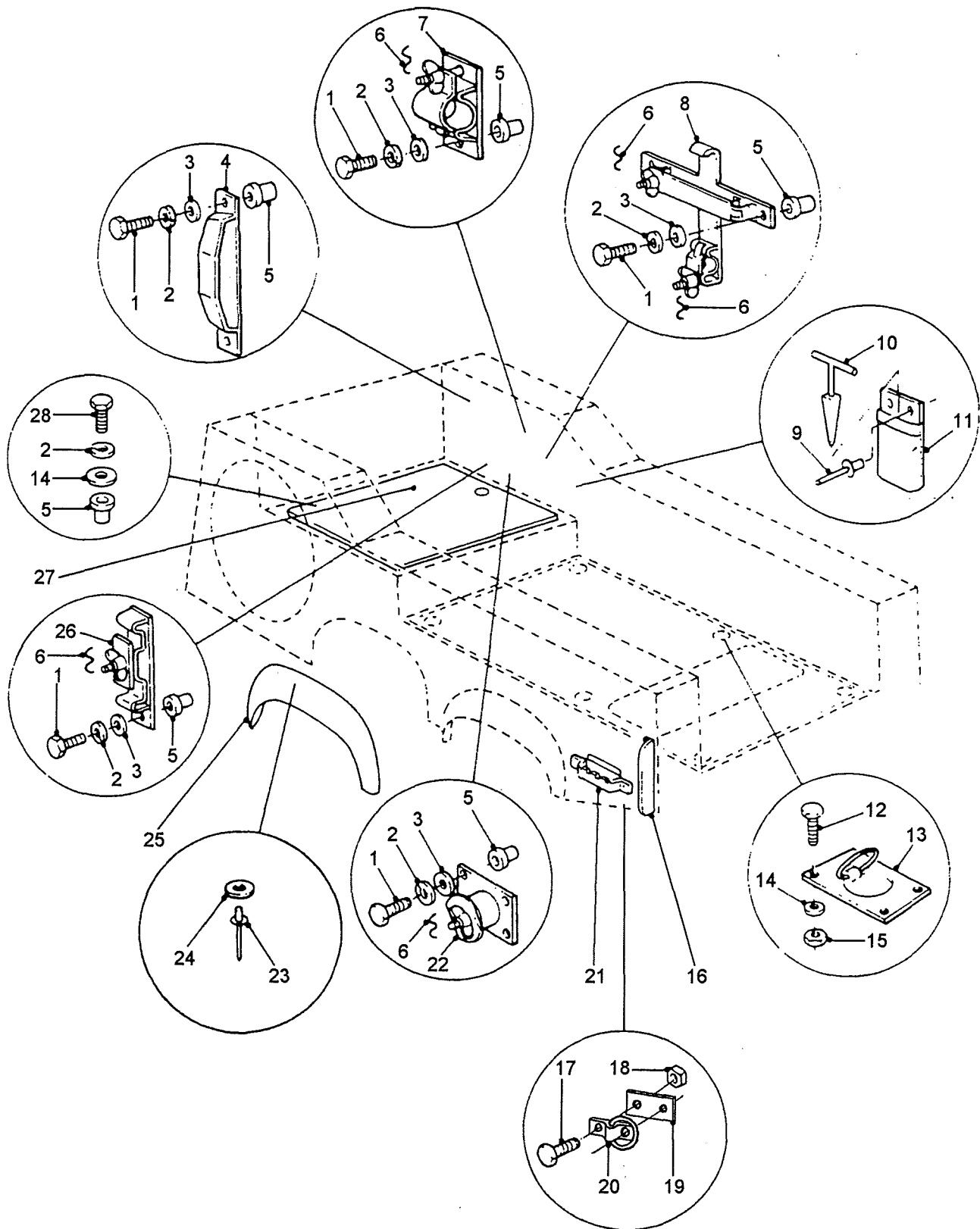
DERIVATIVE CODE

| <u>ITEM</u> | <u>PART NO.</u> | <u>DESCRIPTION</u> | <u>NSN</u> | <u>2185</u> | <u>2186</u> | <u>2208</u> | <u>2209</u> | <u>2210</u> | <u>2211</u> | <u>2212</u> | <u>2219</u> | <u>CP</u> |
|-------------|-----------------|---|------------------|-------------|-------------|-------------|-------------|-------------|-------------|-------------|-------------|-----------|
| 1 | HYG6361 | PLANK-FINISHING-REAR (TAILGATE HIGES ATTACH TO THIS ITEM) | | | | | | | | | | 1 |
| 2 | HYG6363 | PLANK-NO 10 | | | | | | | | | | 1 |
| 3 | HYG6362 | PLANK-STARTER-FRONT | | | | | | | | | | 1 |
| 4 | HYL8930 | RING ASSY-CARGO TIE DOWN | 2540-66-128-5497 | | | | | | | | | 6 |
| 5 | NSS | | | | | | | | | | | |
| 6 | NSS | | | | | | | | | | | |
| 7 | NY110041L | NUT-NYLOC | 5310-99-122-5497 | | | | | | | | | 6 |
| 8 | HYL8931 | MONOBOLT | 5306-66-128-5498 | | | | | | | | | 24 |
| 9 | HYL8932 | PLANK-FLOOR | | | | | | | | | | 18 |
| 10 | HYL8933 | HUCKBOLT | 5306-66-128-5499 | | | | | | | | | 36 |
| 11 | HYL8934 | COLLAR | 3040-66-128-5500 | | | | | | | | | 36 |

CHANGE POINT

ARN INTRODUCTION

GROUP SQA/3



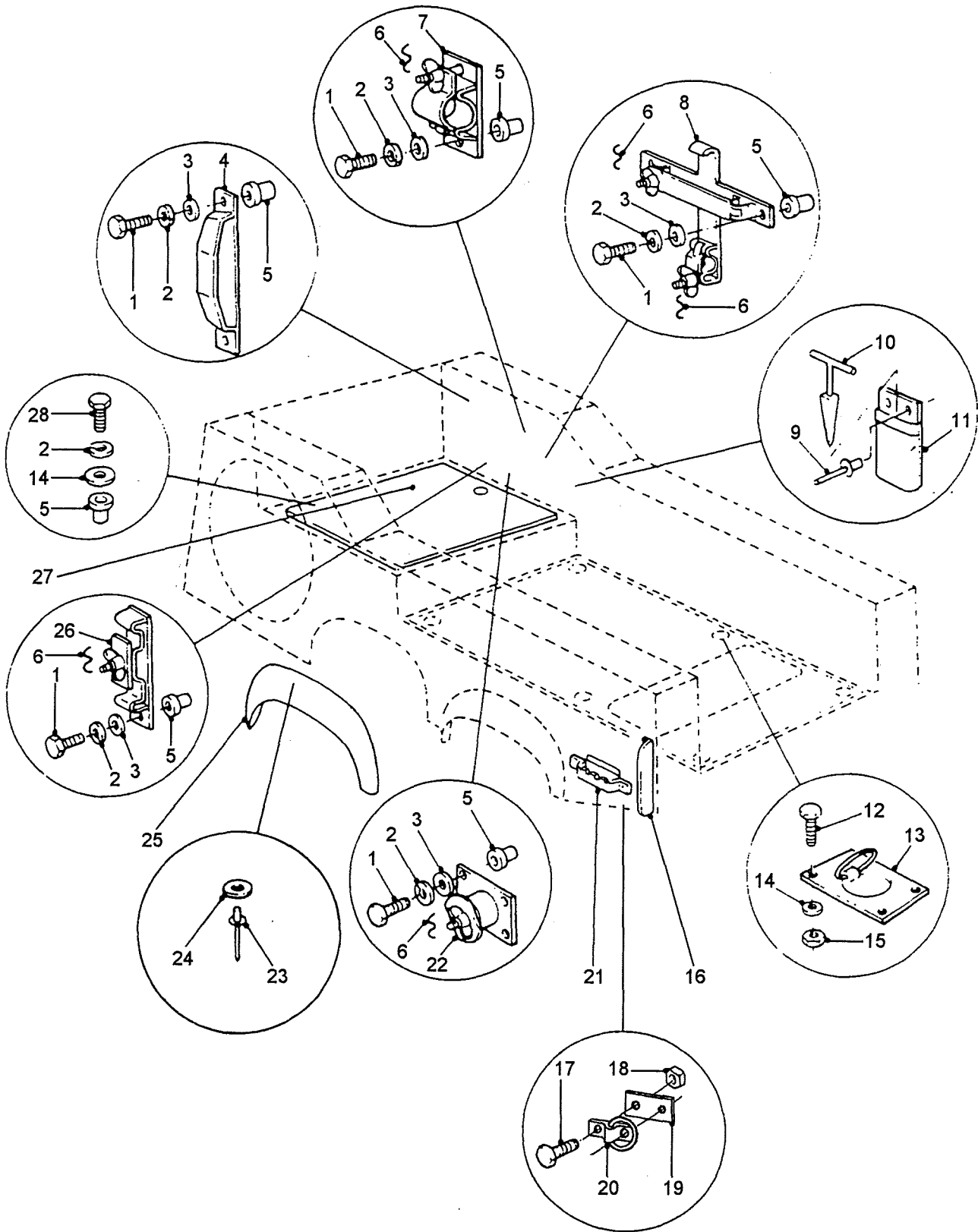
**REAR BODY FITTINGS
- LRPV ONLY**

PERENTIE LAND ROVER PARTS LIST

SQA /3/1 REAR BODY FITTINGS - LRPV ONLY

| ITEM | PART NO. | DESCRIPTION | NSN | DERIVATIVE CODE | | | | | | | |
|------|-------------|-----------------------------------|--------------------|-----------------|------|------|------|------|------|------|------|
| | | | | 2185 | 2186 | 2208 | 2209 | 2210 | 2211 | 2212 | 2219 |
| 1 | FS106201 ✓ | SCREW | 5305-99-122-5361 | | | | | | | 13 | |
| 2 | WL106001L ✓ | WASHER-LOCK | 5310-99-137-9232 | | | | | | | 31 | |
| 3 | WJ106001L ✓ | WASHER-PLAIN | 5310-66-128-4699 | | | | | | | 13 | |
| 4 | HYG2919 ✓ | BRACKET-SPADE | 2510-66-128-5063 C | | | | | | | 1 | |
| 5 | MM106301 ✓ | RIVNUT | 5310-66-128-5543 | | | | | | | 31 | |
| 6 | NSS | | | | | | | | | | |
| 7 | HYG494 ✓ | BRACKET-SPADE HANDLE SUPPORT | 2510-66-095-0887 C | | | | | | | 1 | |
| 8 | HYG497 ✓ | SUPPORT ASSY-PICK & AXE HANDLE | 2510-66-095-9850 C | | | | | | | 1 | |
| 9 | RA612253L ✓ | POP RIVET | 5320-66-128-5117 | | | | | | | 4 | |
| 10 | HYG3022 ✓ | KEY-BUDGET LOCK | 6115-66-038-2801 C | | | | | | | 2 | |
| 11 | HYG3029 ✓ | HOLDER-KEY | 5340-66-128-5299 C | | | | | | | 2 | |
| 12 | SE106161L ✓ | SCREW | 5305-99-135-0440 | | | | | | | 24 | |
| 13 | HYG3861 ✓ | RING-LASHING | | | | | | | | 6 | |
| 14 | WA106041L ✓ | WASHER-PLAIN | 5310-66-098-4440 | | | | | | | 42 | |
| 15 | NY106041L ✓ | NUT-NYLOC | 5310-99-138-8423 | | | | | | | 24 | |
| 16 | HYG4745 ✓ | DEFLECTOR-BRUSH | | | | | | | | 2 | |
| | FS108301 ✓ | SCREW-DEFLECTOR TO REAR BODY | 5305-99-122-5368 | | | | | | | 2 | |
| | FB108141 ✓ | BOLT | 5306-99-122-5259 | | | | | | | 6 | |
| | WA108051L ✓ | WASHER-PLAIN | 5310-99-122-6475 | | | | | | | 12 | |
| | NY108041L ✓ | NUT-NYLOC | 5310-99-122-5496 | | | | | | | 8 | |
| 17 | BX110161 | BOLT | | | | | | | | 4 | |
| 18 | NY110051L ✓ | NUT-NYLOC | | | | | | | | 4 | |
| 19 | HYG6202 ✓ | PLATE-REINFORCING | | | | | | | | 2 | |
| 20 | HYG6203 ✓ | TIE DOWN ASSY | | | | | | | | 2 | |
| 21 | HYG4736 ✓ | STEP-REAR-SIDE | | | | | | | | 2 | |
| | FB108141 | BOLT-STEP TO REAR BODY SIDES | 5306-99-122-5259 | | | | | | | 4 | |

GROUP SQA/3



REAR BODY FITTINGS - LRPV ONLY

PERENTIE LAND ROVER PARTS LIST

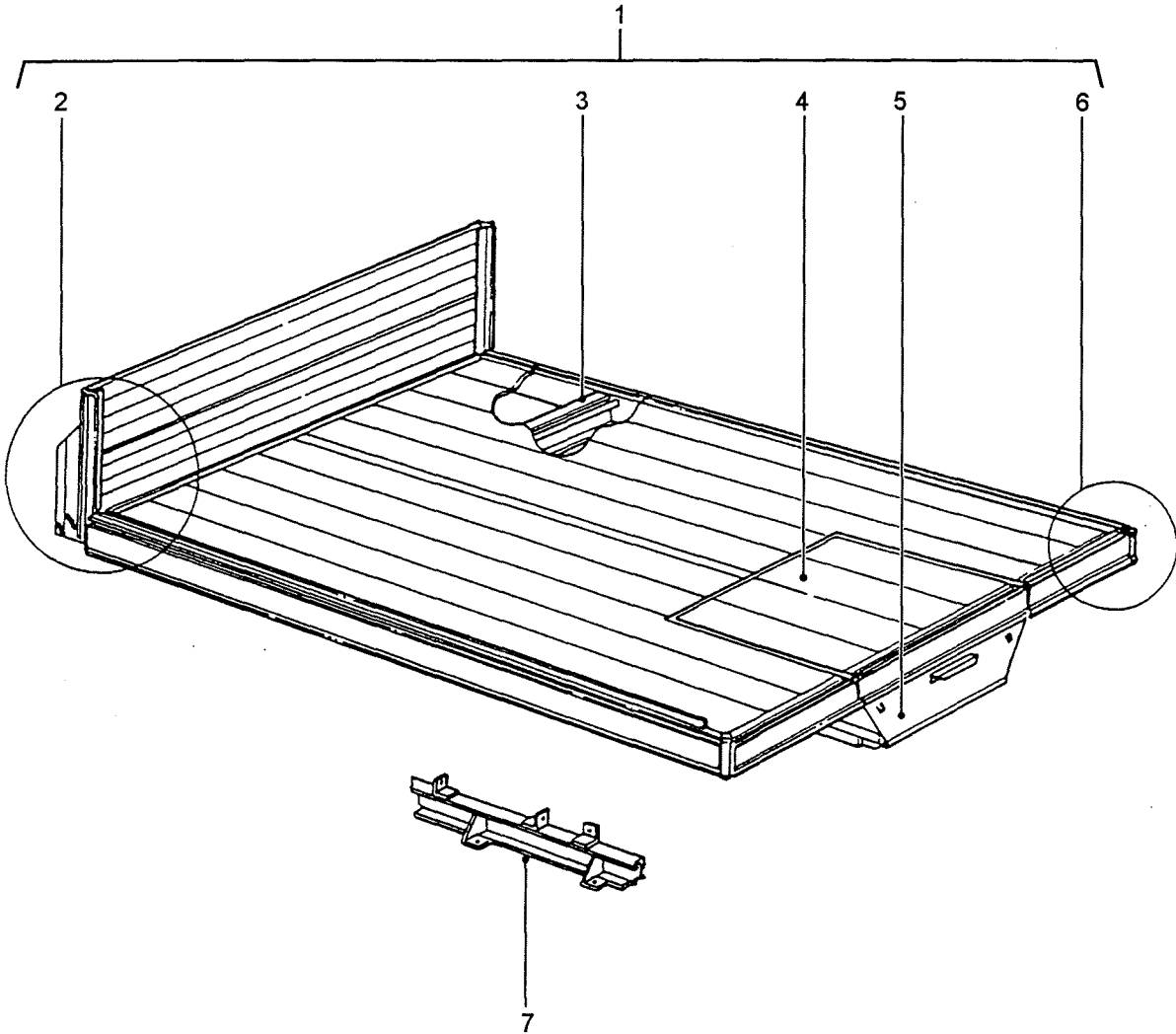
SQA /3/1 REAR BODY FITTINGS - LRPV ONLY

| ITEM | PART NO. | DESCRIPTION | NSN | DERIVATIVE CODE | | | | | | | | |
|------|--------------|--------------------------------------|------------------|-----------------|------|------|------|------|------|------|------|----|
| | | | | 2185 | 2186 | 2208 | 2209 | 2210 | 2211 | 2212 | 2219 | CP |
| | WA108051L | WASHER-PLAIN | 5310-99-122-6475 | | | | | | | | | 8 |
| | NY108041L | NUT-NYLOC | 5310-99-122-5496 | | | | | | | | | 8 |
| 22 | HYG495 ✓ | BRACKET-PICK CLAMP SUPPORT | 2510-66-095-0888 | | | | | | | | | 1 |
| | HYG5752 ✓ | SPACER-PICK HEAD MOUNTING BRACKET | | | | | | | | | | 1 |
| | R78248 ✓ | POP RIVET-SPACER | 5320-99-970-3518 | | | | | | | | | 1 |
| 23 | R78248 ✓ | POP RIVET | 5320-99-970-3518 | | | | | | | | | 48 |
| 24 | WC105001L ✓ | WASHER-PLAIN | 5310-99-122-3032 | | | | | | | | | 48 |
| 25 | MRC8420 ✓ | MOULDING-EYEBROW -REAR | 2510-99-797-6084 | | | | | | | | | 4 |
| 26 | HYG498 ✓ | CLAMP ASSY-PICK & AXE | 2510-66-095-9851 | | | | | | | | | 1 |
| 27 | HYG4114 | PLATE ASSY-REAR SEAT FLOOR | | | | | | | | | | 1 |
| 28 | SH106251L | SCREW | 5305-99-122-5362 | | | | | | | | | 18 |
| | MYH5227/420C | SEAL-PLATE | | | | | | | | | | 1 |

CHANGE POINT

ARN INTRODUCTION

GROUP SQA/4



**REAR BODY ASSEMBLY
- AIR DEFENCE - RBS 70 ONLY**

PERENTIE LAND ROVER PARTS LIST

SQA /4/1 REAR BODY ASSEMBLY - AIR DEFENCE - RBS 70 ONLY

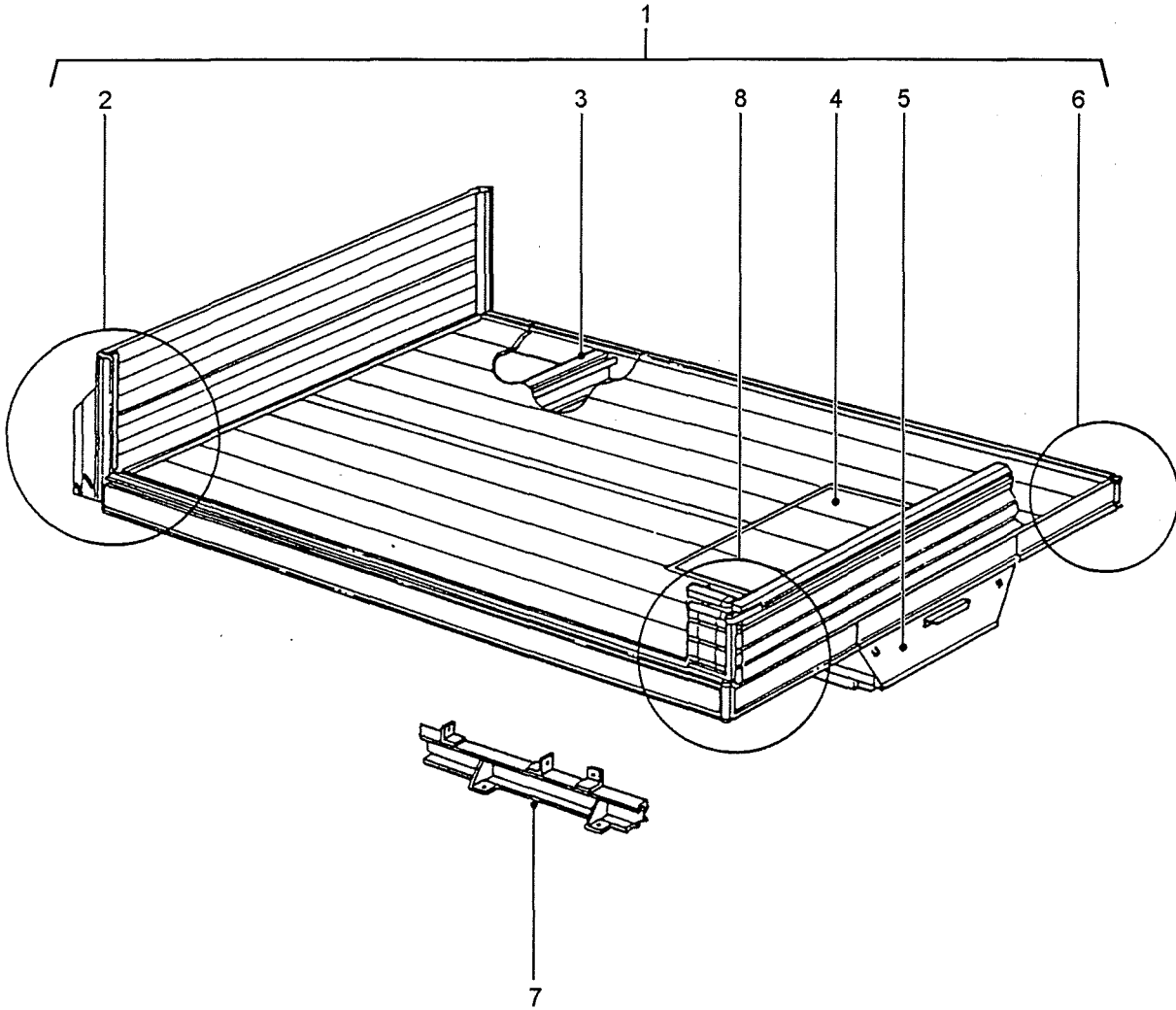
DERIVATIVE CODE

| <u>ITEM</u> | <u>PART NO.</u> | <u>DESCRIPTION</u> | <u>NSN</u> | <u>2185</u> | <u>2186</u> | <u>2208</u> | <u>2209</u> | <u>2210</u> | <u>2211</u> | <u>2212</u> | <u>2219</u> | <u>CP</u> |
|-------------|-----------------|-----------------------------------|------------|-------------|-------------|-------------|-------------|-------------|-------------|-------------|-------------|-----------|
| 1 | HYL9651 | TRAY ASSY (INCLUDES ITEMS 2-7) | | | | | | | | | | 1 |
| 2 | NSS | REFER GROUP SQAA | | | | | | | | | | |
| 3 | NSS | REFER GROUP SQAB | | | | | | | | | | |
| 4 | NSS | REFER GROUP SQAC | | | | | | | | | | |
| 5 | NSS | REFER GROUP SQAD | | | | | | | | | | |
| 6 | NSS | REFER GROUP SQAE | | | | | | | | | | |
| 7 | NSS | REFER GROUP SQAG | | | | | | | | | | |
| 8 | NSS | REFER GROUP SQAF | | | | | | | | | | |

CHANGE POINT

ARN INTRODUCTION

GROUP SQA/5



**REAR BODY ASSEMBLY
- AIR DEFENCE - RAPIER ONLY**

PERENTIE LAND ROVER PARTS LIST

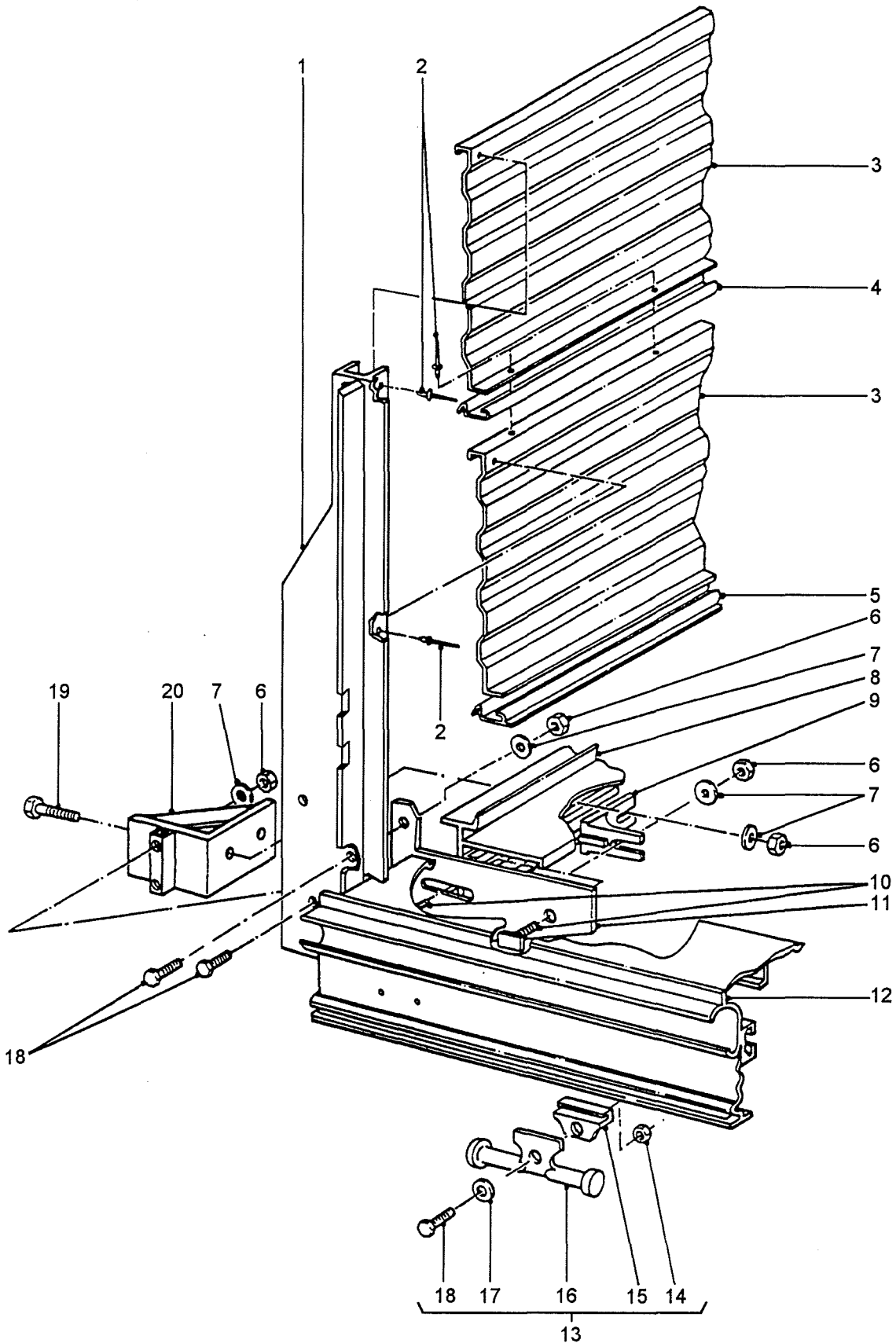
SQA /5/1 REAR BODY ASSEMBLY - AIR DEFENCE - RAPIER ONLY

DERIVATIVE CODE

| <u>ITEM</u> | <u>PART NO.</u> | <u>DESCRIPTION</u> | <u>NSN</u> | <u>2185</u> | <u>2186</u> | <u>2208</u> | <u>2209</u> | <u>2210</u> | <u>2211</u> | <u>2212</u> | <u>2219</u> | <u>CP</u> |
|-------------|-----------------|-----------------------------------|------------|-------------|-------------|-------------|-------------|-------------|-------------|-------------|-------------|-----------|
| 1 | HYL9652 | TRAY ASSY (INCLUDES ITEMS 2-7) | | | | | | | | | | 1 |
| 2 | NSS | REFER GROUP SQAA | | | | | | | | | | |
| 3 | NSS | REFER GROUP SQAB | | | | | | | | | | |
| 4 | NSS | REFER GROUP SQAC | | | | | | | | | | |
| 5 | NSS | REFER GROUP SQAD | | | | | | | | | | |
| 6 | NSS | REFER GROUP SQAE | | | | | | | | | | |
| 7 | NSS | REFER GROUP SQAG | | | | | | | | | | |
| 8 | NSS | REFER GROUP SQAF | | | | | | | | | | |

CHANGE POINT

ARN INTRODUCTION

GROUP SQAA

**LH COAMING, FRONT COAMING
AND HEADBOARD – AIR DEFENCE ONLY**

PERENTIE LAND ROVER PARTS LIST

SQAA/1/1 LH COAMING, FRONT COAMING AND HEADBOARD - AIR DEFENCE ONLY

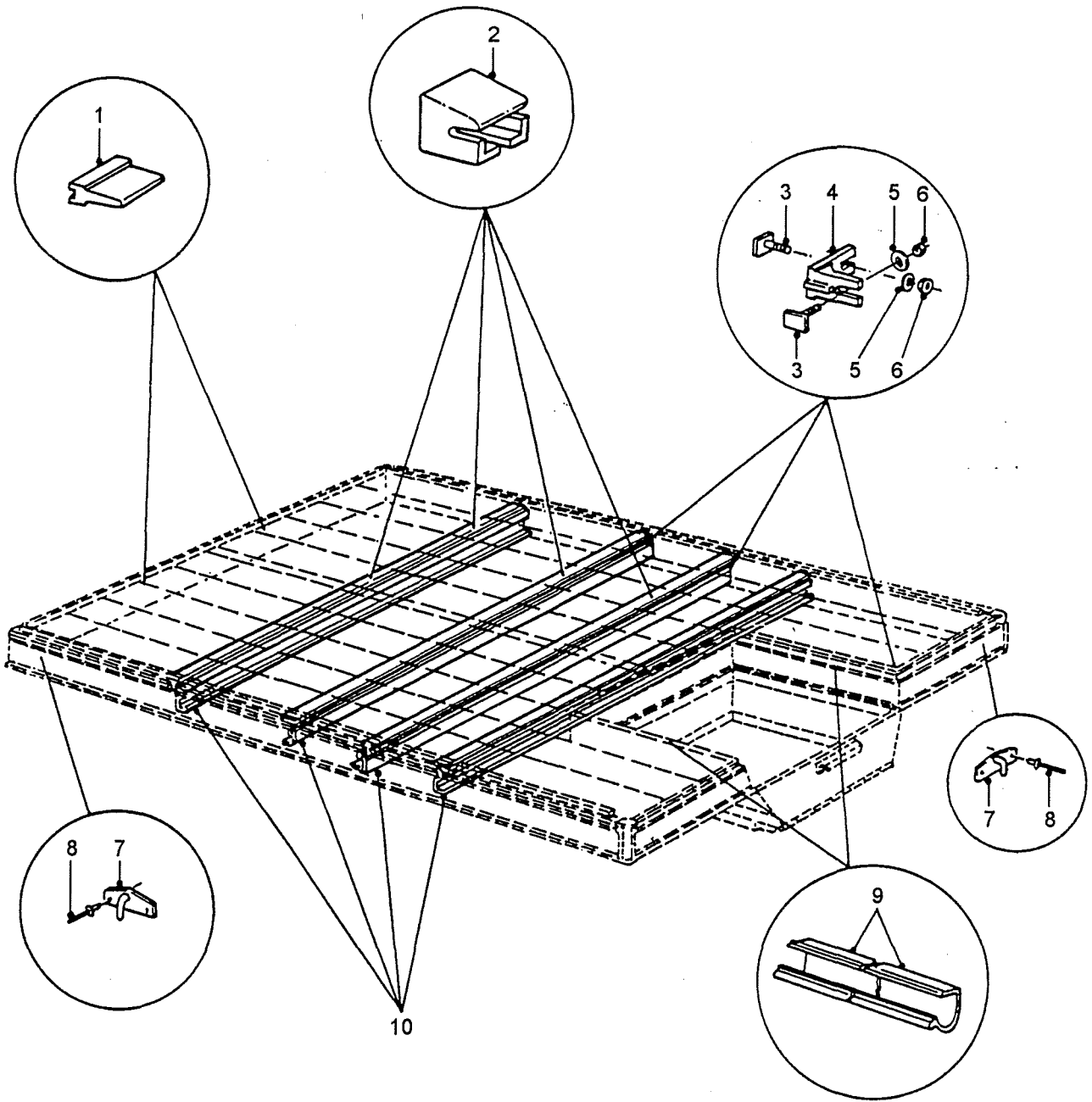
DERIVATIVE CODE

| <u>ITEM</u> | <u>PART NO.</u> | <u>DESCRIPTION</u> | <u>NSN</u> | <u>2185</u> | <u>2186</u> | <u>2208</u> | <u>2209</u> | <u>2210</u> | <u>2211</u> | <u>2212</u> | <u>2219</u> | <u>CP</u> |
|-------------|-----------------|---------------------------------------|------------------|-------------|-------------|-------------|-------------|-------------|-------------|-------------|-------------|-----------|
| 1 | HYL9657 | POST-HEADBOARD-LH -RBS 70 | | | | | | | | | 1 | |
| 1 | HYL9659 | POST-HEADBOARD-RH -RBS 70 & RAPIER | | | | | | | | | 1 | |
| 2 | RU608123L | POP RIVET | 5320-66-128-4634 | | | | | | | | 9 | |
| 3 | HYL9660 | HEADBOARD-REAR BODY TRAY | | | | | | | | | 2 | |
| 4 | NSS | | | | | | | | | | | |
| 5 | HYL9661 | STRIP-PLASTIC | | | | | | | | | 1 | |
| 6 | NY108041L | NUT-NYLOC | 5310-99-122-5496 | | | | | | | | 12 | |
| 7 | WA108051L | WASHER-PLAIN | 5310-99-122-6475 | | | | | | | | 12 | |
| 8 | HYL9662 | COAMING-FRONT | | | | | | | | | 1 | |
| 9 | HYL9647 | BRACKET-RIGHT ANGLE | | | | | | | | | 2 | |
| 10 | HYL9646 | BOLT 'I' | 5306-66-128-5972 | | | | | | | | 4 | |
| 11 | HYL9663 | PLATE-INTERMEDIATE | | | | | | | | | 2 | |
| 12 | HYL9664 | COAMING-LH | | | | | | | | | 1 | |
| 13 | HYL9665 | CLEAT-ROPE (INCLUDES ITEMS 14-18) | 5340-66-128-5962 | | | | | | | | 8 | |
| 14 | NT108041L | NUT | 5310-66-098-4402 | | | | | | | | 8 | |
| 15 | NSS | | | | | | | | | | | |
| 16 | ISS | | | | | | | | | | | |
| 17 | WF108001 | WASHER-LOCK | 5310-99-136-2555 | | | | | | | | 8 | |
| 18 | FS108251 | SCREW | 5305-99-122-5367 | | | | | | | | 14 | |
| 19 | BH606121 | BOLT | | | | | | | | | 4 | |
| 20 | HYL9666 | BRACKET-HEADBOARD | | | | | | | | | 2 | |

CHANGE POINT

ARN INTRODUCTION

GROUP SQAB



**REAR TRAY CROSSMEMBERS AND FITTINGS
- AIR DEFENCE ONLY**

PERENTIE LAND ROVER PARTS LIST

SQAB/1/1 REAR TRAY CROSSMEMBERS AND FITTINGS - AIR DEFENCE ONLY

DERIVATIVE CODE

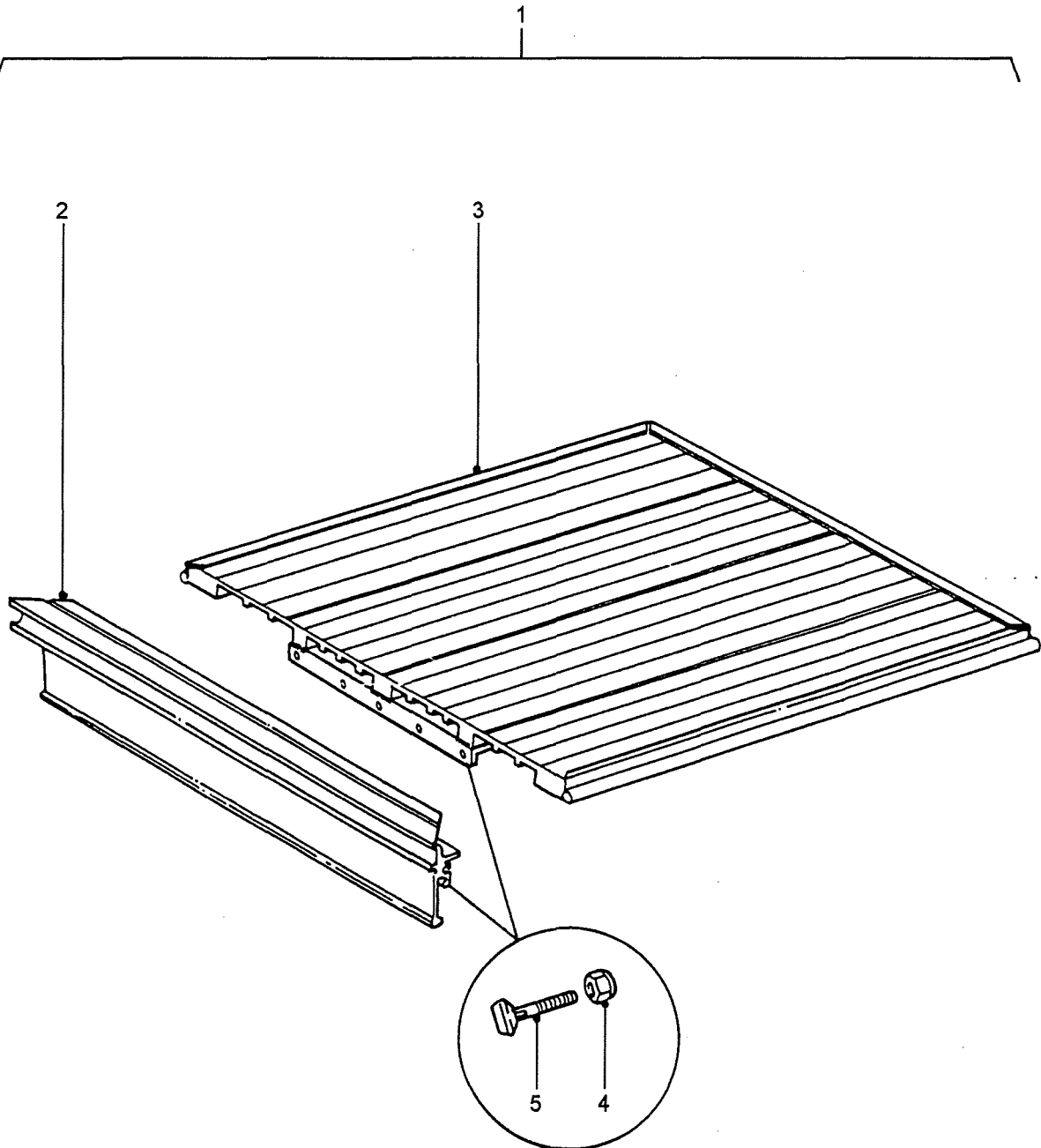
| <u>ITEM</u> | <u>PART NO.</u> | <u>DESCRIPTION</u> | <u>NSN</u> | <u>2185</u> | <u>2186</u> | <u>2208</u> | <u>2209</u> | <u>2210</u> | <u>2211</u> | <u>2212</u> | <u>2219</u> | <u>CP</u> |
|-------------|-----------------|---------------------|------------------|-------------|-------------|-------------|-------------|-------------|-------------|-------------|-------------|-----------|
| 1 | HYL9653 | BLOCK-ANTI-RATTLE | | | | | | | | | | 10 |
| 2 | HYL9654 | MOULD-SECURING | | | | | | | | | | 40 |
| 3 | HYL9646 | BOLT-'T' | 5306-66-128-5972 | | | | | | | | | 16 |
| 4 | HYL9647 | BRACKET-RIGHT ANGLE | | | | | | | | | | 8 |
| 5 | WA108051L | WASHER-PLAIN | 5310-99-122-6475 | | | | | | | | | 16 |
| 6 | NY108041L | NUT-NYLOC | 5310-99-122-5496 | | | | | | | | | 16 |
| 7 | HYL9687 | HOOK-SUPPORT | 5340-66-128-5963 | | | | | | | | | 32 |
| 8 | HYL9830 | MONOBOLT | | | | | | | | | | 64 |
| 9 | HYL9655 | BEARING-HINGE | | | | | | | | | | 3 |
| 10 | NSS | | | | | | | | | | | |

CHANGE POINT

ARN INTRODUCTION

Jun 1995

GROUP SQAC



**SLIDE-IN FLOOR SECTION
- AIR DEFENCE ONLY**

PERENTIE LAND ROVER PARTS LIST

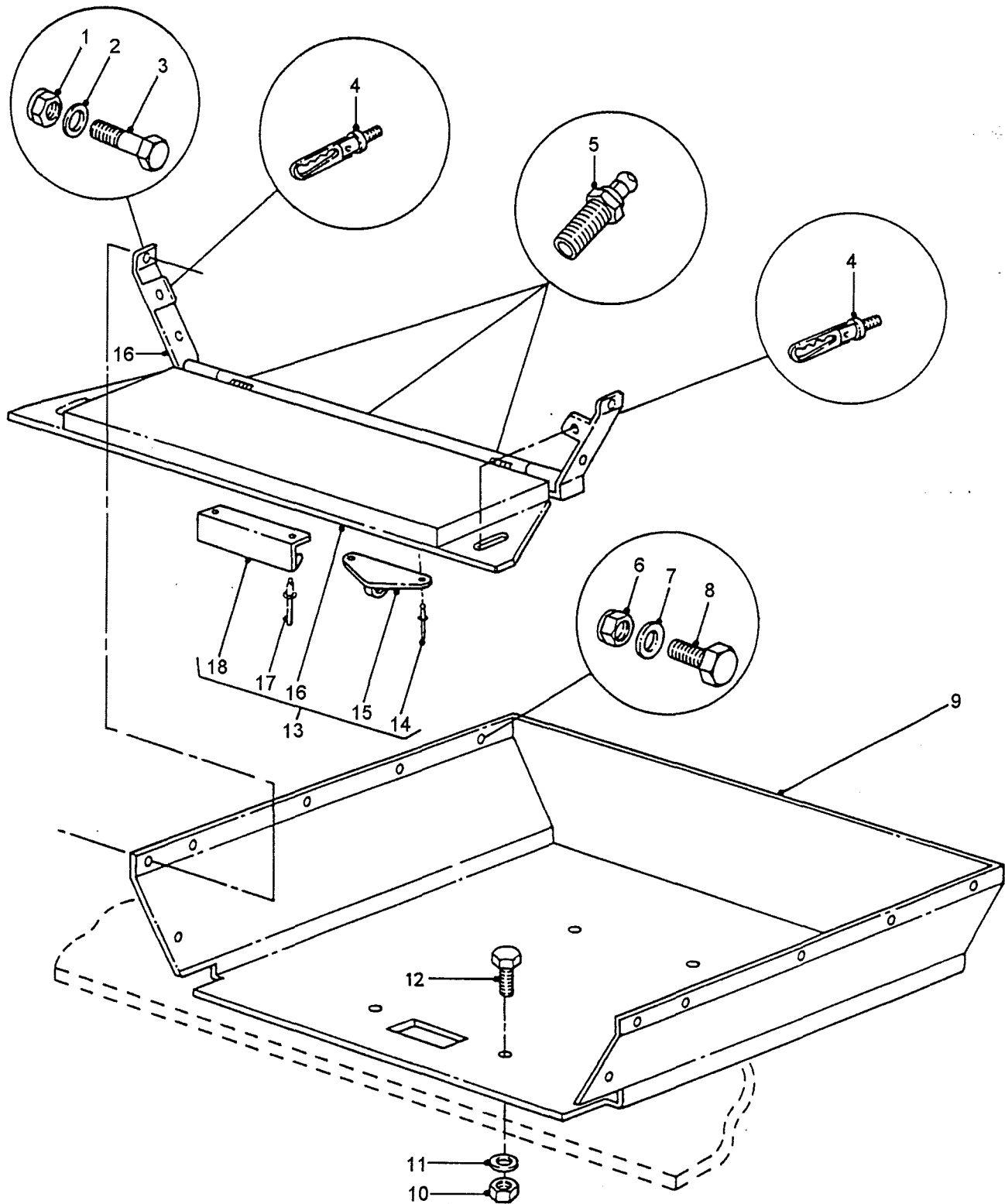
SQAC/1/1 SLIDE-IN FLOOR SECTION - AIR DEFENCE ONLY

| <u>ITEM</u> | <u>PART NO.</u> | <u>DESCRIPTION</u> | <u>NSN</u> | <u>DERIVATIVE CODE</u> | | | | | | | | |
|-------------|-----------------|-----------------------------|------------------|------------------------|-------------|-------------|-------------|-------------|-------------|-------------|-------------|-----------|
| | | | | <u>2185</u> | <u>2186</u> | <u>2208</u> | <u>2209</u> | <u>2210</u> | <u>2211</u> | <u>2212</u> | <u>2219</u> | <u>CP</u> |
| 1 | HYL9823 | FLOOR ASSY-SLIDE IN SECTION | 2510-66-128-5964 | | | | | | | | | 1 |
| 2 | HYL9824 | COAMING-FLOOR | | | | | | | | | | 1 |
| 3 | NSS | | | | | | | | | | | |
| 4 | NY108041L | NUT-NYLOC | 5310-99-122-5496 | | | | | | | | | 2 |
| 5 | HYL9646 | BOLT-'T' | 5306-66-128-5972 | | | | | | | | | 2 |

CHANGE POINT

ARN INTRODUCTION

GROUP SQAD



**EQUIPMENT WELL
- AIR DEFENCE ONLY**

PERENTIE LAND ROVER PARTS LIST

SQAD/1/1 EQUIPMENT WELL - AIR DEFENCE ONLY

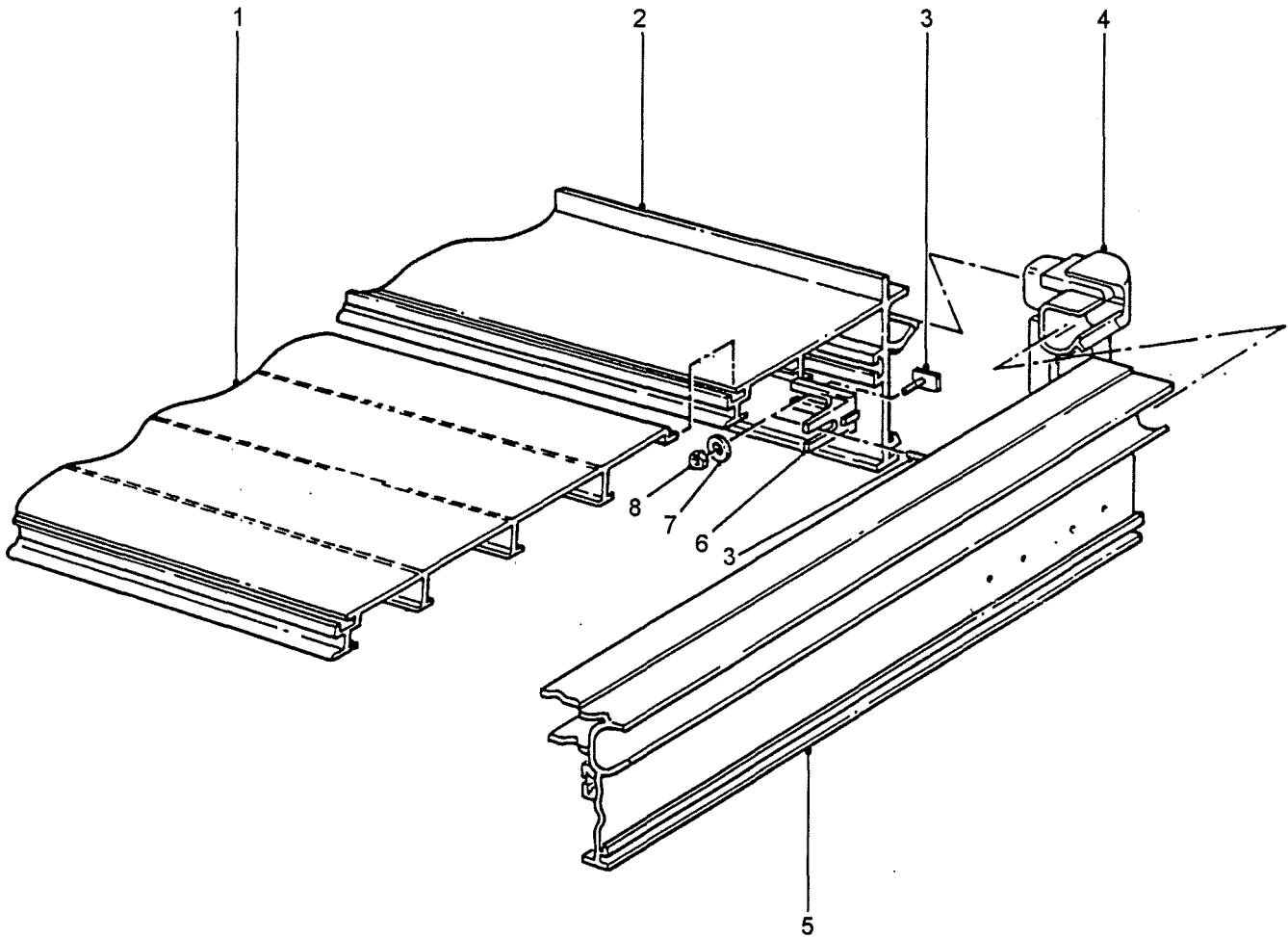
DERIVATIVE CODE

| <u>ITEM</u> | <u>PART NO.</u> | <u>DESCRIPTION</u> | <u>NSN</u> | <u>2185</u> | <u>2186</u> | <u>2208</u> | <u>2209</u> | <u>2210</u> | <u>2211</u> | <u>2212</u> | <u>2219</u> | <u>CP</u> |
|-------------|-----------------|---------------------------------|------------------|-------------|-------------|-------------|-------------|-------------|-------------|-------------|-------------|-----------|
| 1 | NY606041L | NUT-NYLOC | 5310-99-943-4299 | | | | | | | | | 9 |
| 2 | WA110001L | WASHER-PLAIN | | | | | | | | | | 18 |
| 3 | SH606091 | BOLT | | | | | | | | | | 9 |
| 4 | HYL9825 | FASTENER | | | | | | | | | | 2 |
| 5 | HYL9826 | NIPPLE-GREASE | | | | | | | | | | 3 |
| 6 | NY108041L | NUT-NYLOC | 5310-99-122-5496 | | | | | | | | | 8 |
| 7 | WA108051L | WASHER-PLAIN | 5310-99-122-6475 | | | | | | | | | 16 |
| 8 | FS108251 | SCREW | 5305-99-122-5367 | | | | | | | | | 8 |
| 9 | HYL9827 | WELL-EQUIPMENT | | | | | | | | | | 1 |
| 10 | NY110041L | NUT-NYLOC | 5310-99-122-5497 | | | | | | | | | 5 |
| 11 | WA110001L | WASHER-PLAIN | | | | | | | | | | 5 |
| 12 | BH110081L | BOLT | | | | | | | | | | 5 |
| 13 | HYL9828 | DOOR ASSY (INCL ITEMS 14-18) | | | | | | | | | | 1 |
| 14 | RU612373L | POP RIVET | 5320-99-120-9002 | | | | | | | | | 8 |
| 15 | HYL9687 | HOOK-SUPPORT | 5340-66-128-5963 | | | | | | | | | 4 |
| 16 | NSS | | | | | | | | | | | |
| 17 | HYL9830 | MONOBOLT | | | | | | | | | | 2 |
| 18 | HYL9829 | HANDLE | | | | | | | | | | 1 |

CHANGE POINT

ARN INTRODUCTION

GROUP SQAE



**RH COAMING, REAR COAMING AND FLOOR PANEL
- AIR DEFENCE ONLY**

PERENTIE LAND ROVER PARTS LIST

SQAE/1/1 RH COAMING, REAR COAMING AND FLOOR PANEL - AIR DEFENCE ONLY

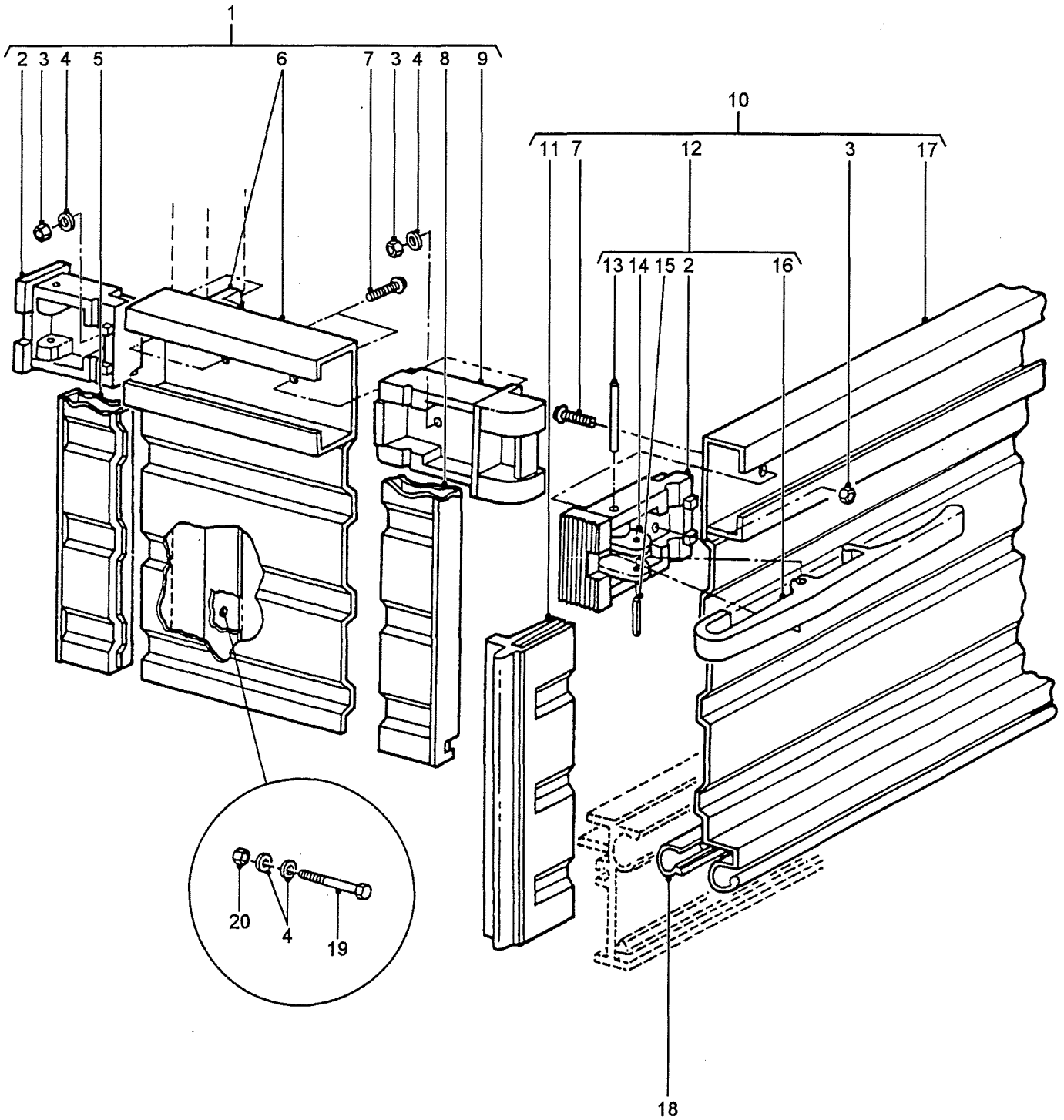
DERIVATIVE CODE

| <u>ITEM</u> | <u>PART NO.</u> | <u>DESCRIPTION</u> | <u>NSN</u> | <u>2185</u> | <u>2186</u> | <u>2208</u> | <u>2209</u> | <u>2210</u> | <u>2211</u> | <u>2212</u> | <u>2219</u> | <u>CP</u> |
|-------------|-----------------|--|------------------|-------------|-------------|-------------|-------------|-------------|-------------|-------------|-------------|-----------|
| 1 | HYL9639 | PLANK-FLOOR-3170MM LONG | | | | | | | | | | 3 |
| | HYL9640 | PLANK-FLOOR-2270MM LONG | | | | | | | | | | 4 |
| | HYL9641 | PLANK-FLOOR-3170MM LONG (NOTCHED ONE END) | | | | | | | | | | 1 |
| | HYL9656 | PLANK-TRAY-2270MM LONG | | | | | | | | | | 1 |
| 2 | HYL9642 | COAMING-RH | | | | | | | | | | 1 |
| 3 | HYL9646 | BOLT-'T' | 5306-66-128-5972 | | | | | | | | | 4 |
| 4 | HYL9643 | MOULDING-CORNER | | | | | | | | | | 2 |
| 5 | HYL9644 | COAMING-REAR-RH | | | | | | | | | | 1 |
| | HYL9645 | COAMING-REAR-LH | | | | | | | | | | 1 |
| | HYL9649 | COAMING-SLIDING FLOOR-RH | | | | | | | | | | 1 |
| | HYL9648 | COAMING-SLIDING FLOOR-LH | | | | | | | | | | 1 |
| | HYL9650 | COAMING-SLIDING FLOOR-FRONT | | | | | | | | | | 1 |
| 6 | HYL9647 | BRACKET-RIGHT ANGLE | | | | | | | | | | 2 |
| 7 | VA108051L | WASHER-PLAIN | 5310-99-122-6475 | | | | | | | | | 4 |
| 8 | NY108041L | NUT-NYLOC | 5310-99-122-5496 | | | | | | | | | 4 |

CHANGE POINT

ARN INTRODUCTION

GROUP SQAF



**TAILGATE AND SIDE PANEL ASSEMBLIES
- AIR DEFENCE ONLY**

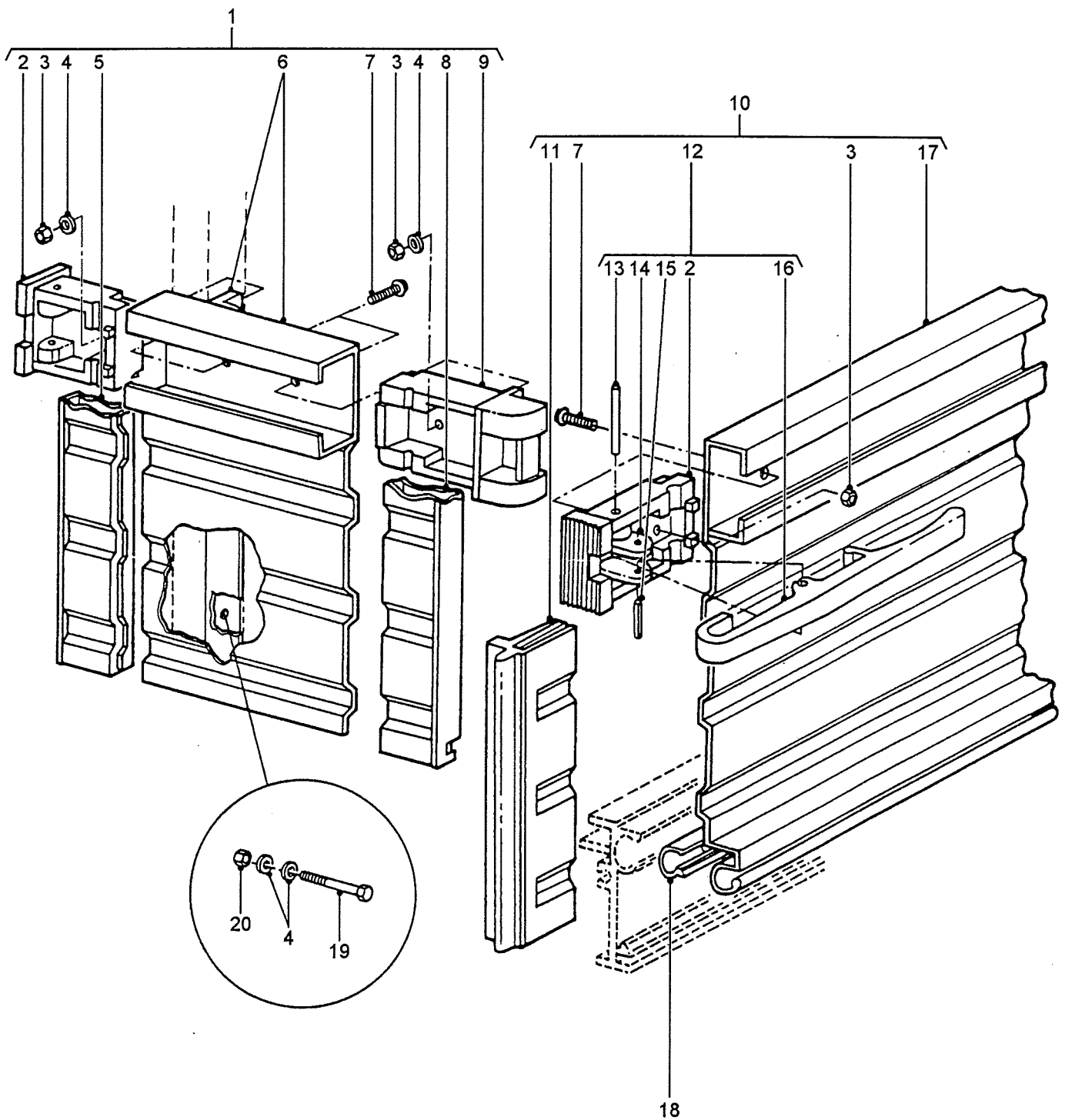
PERENTIE LAND ROVER PARTS LIST

SQAF/1/1 TAILGATE AND SIDE PANEL ASSEMBLIES - AIR DEFENCE ONLY

DERIVATIVE CODE

| <u>ITEM</u> | <u>PART NO.</u> | <u>DESCRIPTION</u> | <u>NSN</u> | <u>2185</u> | <u>2186</u> | <u>2208</u> | <u>2209</u> | <u>2210</u> | <u>2211</u> | <u>2212</u> | <u>2219</u> | <u>CP</u> |
|-------------|-----------------|---|------------------|-------------|-------------|-------------|-------------|-------------|-------------|-------------|-------------|-----------|
| 1 | HYL9675 | PANEL-REAR BODY TRAY-LH (INCLUDES ITEMS 2-9) | 2510-66-128-5965 | | | | | | | | | 1 |
| | HYL9676 | PANEL-REAR BODY TRAY-RH (INCLUDES ITEMS 2-9) | 2510-66-128-5966 | | | | | | | | | 1 |
| 2 | HYL9677 | HOUSING-LATCH-FRONT | | | | | | | | | | 3 |
| 3 | NH304041 | NUT | | | | | | | | | | 4 |
| 4 | WA600041 | WASHER-PLAIN | | | | | | | | | | 10 |
| 5 | HYL9678 | COVER-END-SIDE PANEL-FRONT | | | | | | | | | | 1 |
| 6 | NSS | | | | | | | | | | | |
| 7 | HYL9688 | SCREW | | | | | | | | | | 4 |
| 8 | HYL9679 | COVER-END-SIDE PANEL-REAR | | | | | | | | | | 1 |
| 9 | HYL9680 | JAMB-SIDE PANEL-REAR | | | | | | | | | | 1 |
| 10 | HYL9681 | TAILGATE ASSY (INCLUDES ITEMS 3, 7, 11, 12, 17) | 2510-66-128-5967 | | | | | | | | | 1 |
| 11 | HYL9682 | COVER-END-LH | | | | | | | | | | 1 |
| | HYL9683 | COVER-END-RH | | | | | | | | | | 1 |
| 12 | HYL9684 | LATCH ASSY-TAILGATE (INCLUDES ITEMS 2, 13-16) | | | | | | | | | | 2 |
| 13 | NSS | | | | | | | | | | | |
| 14 | NSS | | | | | | | | | | | |
| 15 | NSS | | | | | | | | | | | |
| 16 | NSS | | | | | | | | | | | |
| 17 | HYL9685 | PANEL-TAILGATE | | | | | | | | | | 1 |
| 18 | NSS | | | | | | | | | | | |
| 19 | BH604121 | BOLT | | | | | | | | | | 4 |

GROUP SQAF



**TAILGATE AND SIDE PANEL ASSEMBLIES
- AIR DEFENCE ONLY**

PERENTIE LAND ROVER PARTS LIST

SQAF/1/1 TAILGATE AND SIDE PANEL ASSEMBLIES - AIR DEFENCE ONLY

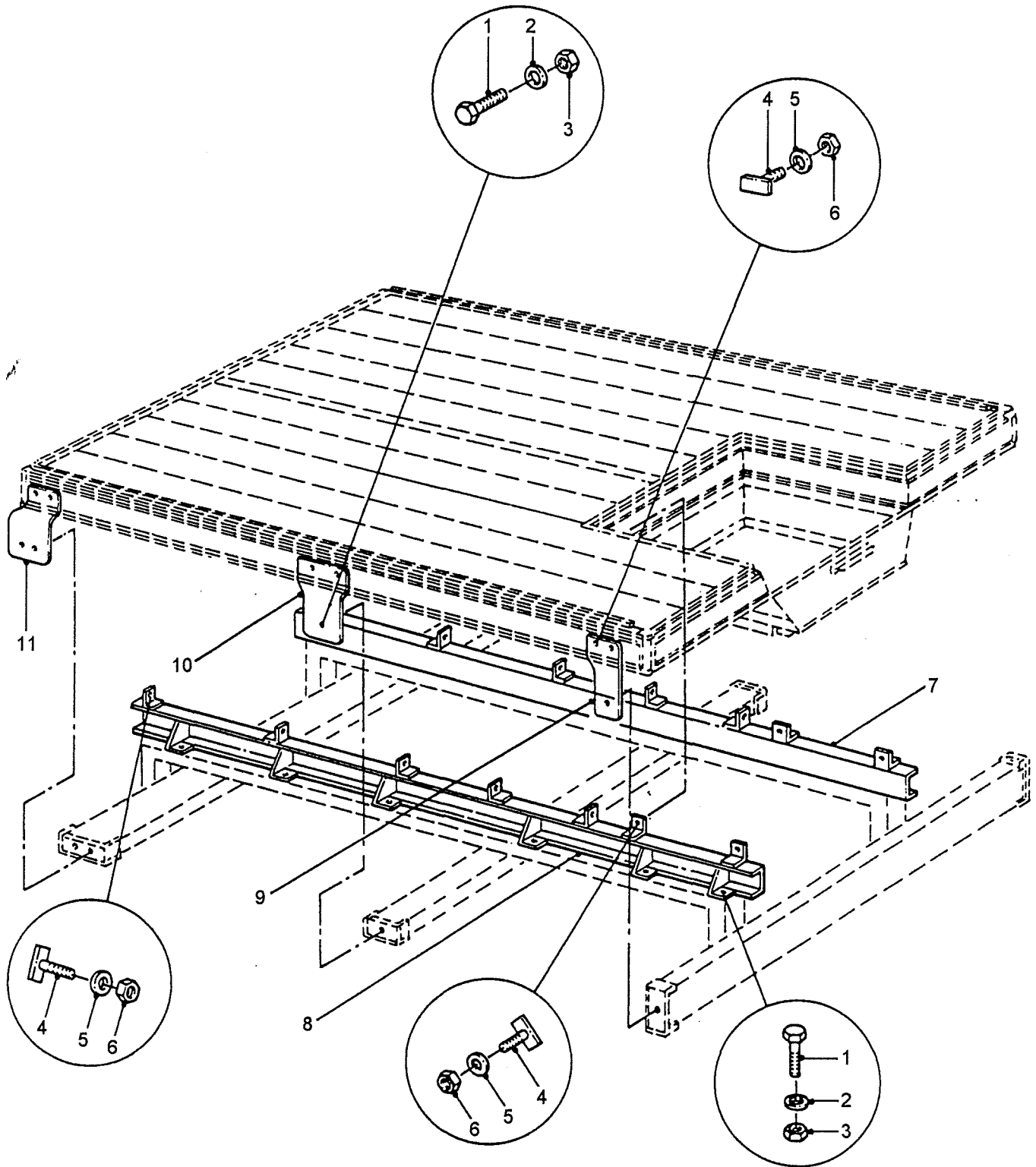
DERIVATIVE CODE

| <u>ITEM</u> | <u>PART NO.</u> | <u>DESCRIPTION</u> | <u>NSN</u> | <u>2185</u> | <u>2186</u> | <u>2208</u> | <u>2209</u> | <u>2210</u> | <u>2211</u> | <u>2212</u> | <u>2219</u> | <u>CP</u> |
|-------------|-----------------|--------------------|------------|-------------|-------------|-------------|-------------|-------------|-------------|-------------|-------------|-----------|
| 20 | NY604041L | NUT-NYLOC | | | | | | | | | | 4 |

CHANGE POINT

ARN INTRODUCTION

GROUP SQAG



**REAR BODY TRAY MOUNTINGS
- AIR DEFENCE ONLY**

PERENTIE LAND ROVER PARTS LIST

SQAG/1/1 REAR BODY TRAY MOUNTINGS - AIR DEFENCE ONLY

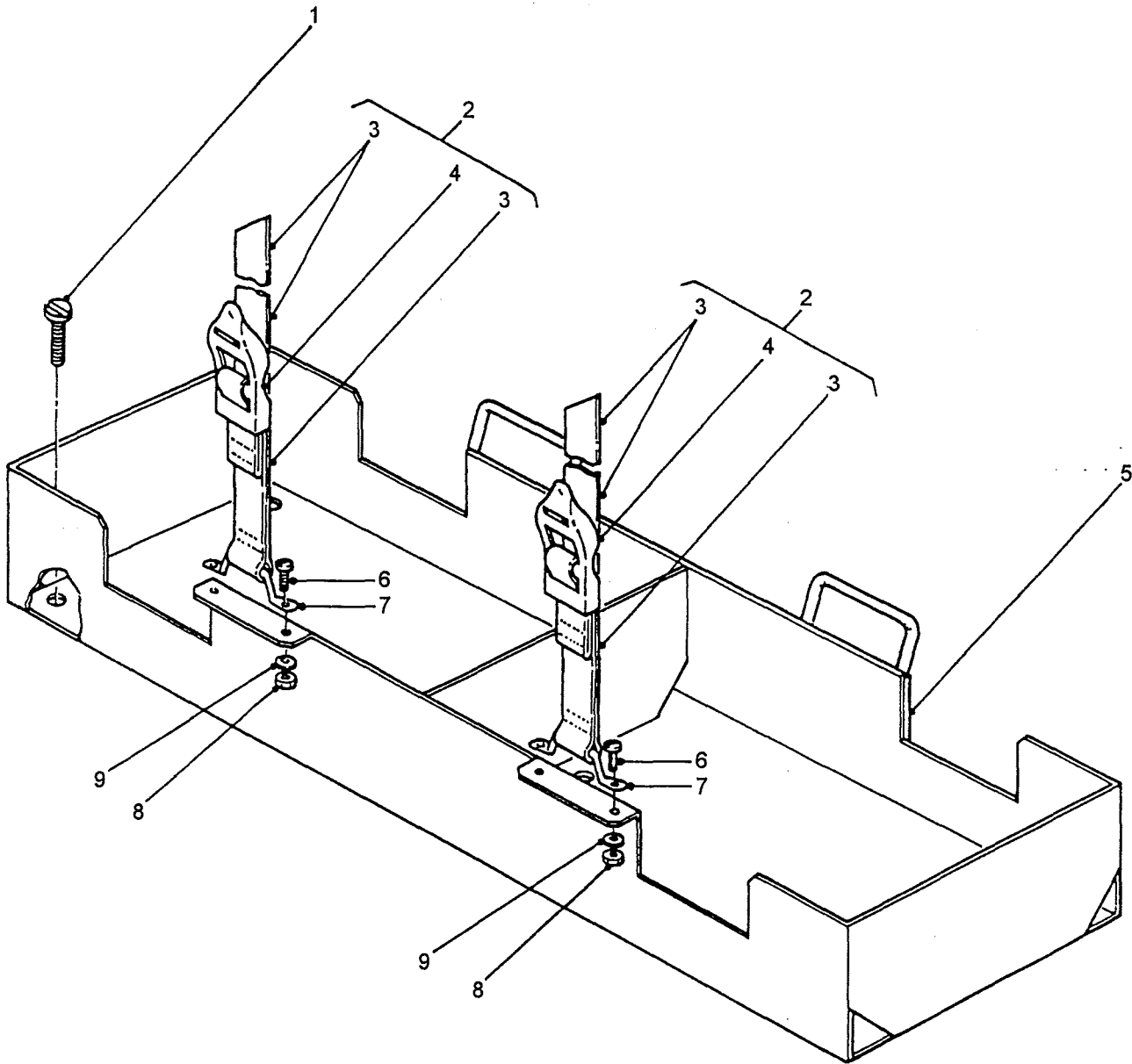
DERIVATIVE CODE

| <u>ITEM</u> | <u>PART NO.</u> | <u>DESCRIPTION</u> | <u>NSN</u> | <u>2185</u> | <u>2186</u> | <u>2208</u> | <u>2209</u> | <u>2210</u> | <u>2211</u> | <u>2212</u> | <u>2219</u> | <u>CP</u> |
|-------------|-----------------|---------------------------------------|------------------|-------------|-------------|-------------|-------------|-------------|-------------|-------------|-------------|-----------|
| 1 | BH112061 | BOLT | | | | | | | | | | 14 |
| 2 | WA112081L | WASHER-PLAIN | 5310-99-122-6477 | | | | | | | | | 14 |
| 3 | NY112041L | NUT-NYLOC | 5310-99-768-7269 | | | | | | | | | 14 |
| 4 | HYL9667 | BOLT 'T' | 5306-66-128-5968 | | | | | | | | | 20 |
| 5 | WA110001L | WASHER-PLAIN | | | | | | | | | | 20 |
| 6 | NY110041L | NUT-NYLOC | 5310-99-122-5497 | | | | | | | | | 20 |
| 7 | HYL9668 | CHANNEL-MTG-RH | | | | | | | | | | 1 |
| 8 | HYL9669 | CHANNEL-MTG-LH | | | | | | | | | | 1 |
| 9 | HYL9670 | BRACKET-MTG-REAR-LH | | | | | | | | | | 1 |
| | HYL9671 | BRACKET-MTG-REAR-RH | | | | | | | | | | 1 |
| 10 | HYL9672 | BRACKET-MTG-CENTRE | | | | | | | | | | 2 |
| 11 | HYL9673 | BRACKET-MTG-FRONT-LH | | | | | | | | | | 1 |
| | HYL9674 | BRACKET-MTG-FRONT-RH | | | | | | | | | | 1 |
| | SH112351 | SCREW-TRAY CENTRE CHANNELS TO CHASSIS | 5305-99-122-8675 | | | | | | | | | 12 |
| | WA112081L | WASHER-PLAIN | 5310-99-122-6477 | | | | | | | | | 12 |
| | NY112041L | NUT-NYLOC | 5310-99-768-7269 | | | | | | | | | 12 |
| | SH112351 | SCREW-TIE DOWN MODULES TO CHASSIS | 5305-99-122-8675 | | | | | | | | | 6 |
| | WA112081L | WASHER-PLAIN | 5310-99-122-6477 | | | | | | | | | 6 |
| | NY112041L | NUT-NYLOC | 5310-99-768-7269 | | | | | | | | | 6 |

CHANGE POINT

ARN INTRODUCTION

GROUP SQAH



**JERRYCAN STOWAGE
- AIR DEFENCE - RAPIER ONLY**

PERENTIE LAND ROVER PARTS LIST

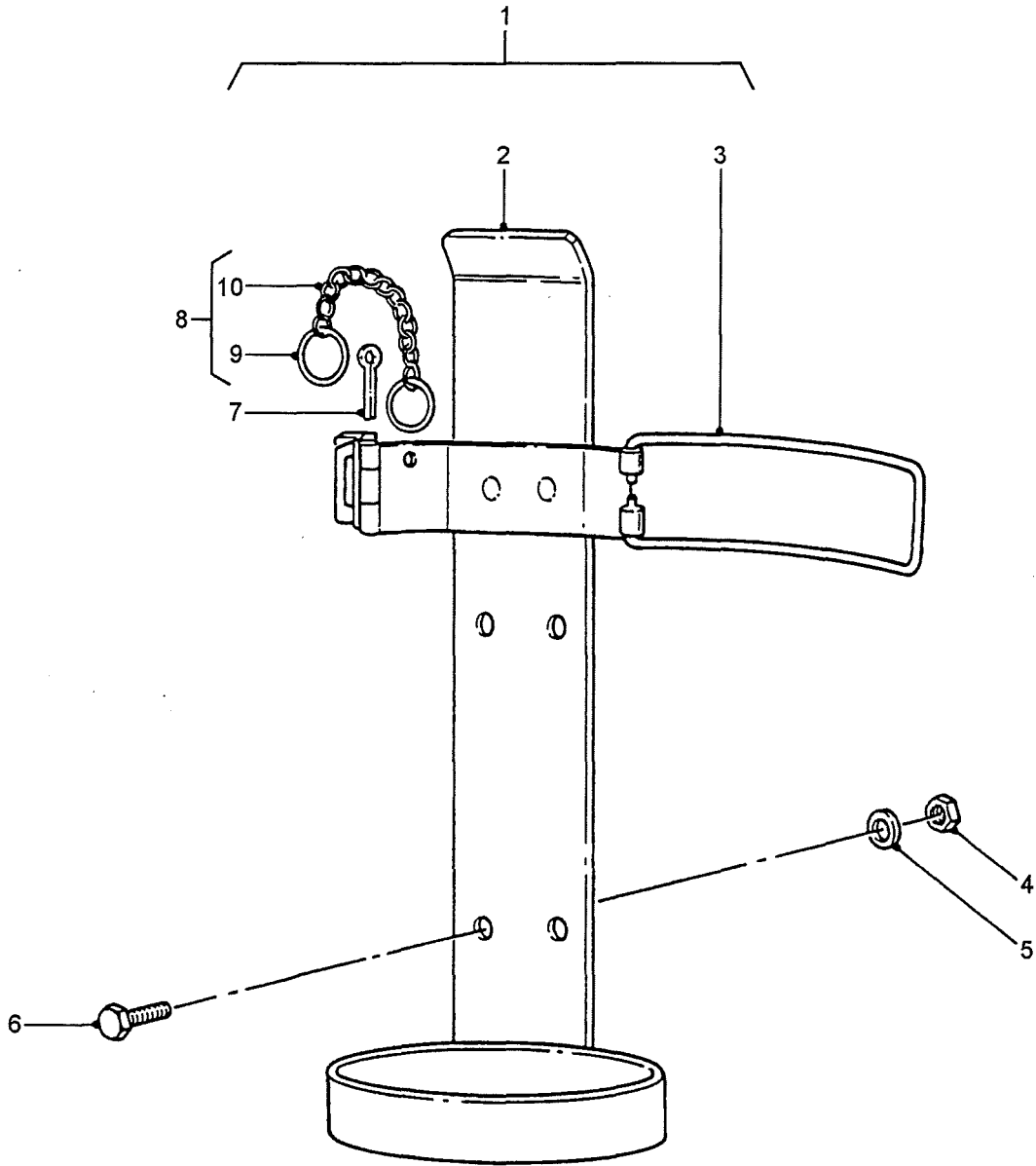
SQAH/1/1 JERRYCAN STOWAGE - AIR DEFENCE - RAPIER ONLY

DERIVATIVE CODE

| <u>ITEM</u> | <u>PART NO.</u> | <u>DESCRIPTION</u> | <u>NSN</u> | <u>2185</u> | <u>2186</u> | <u>2208</u> | <u>2209</u> | <u>2210</u> | <u>2211</u> | <u>2212</u> | <u>2219</u> | <u>CP</u> |
|-------------|-----------------|------------------------------------|------------------|-------------|-------------|-------------|-------------|-------------|-------------|-------------|-------------|-----------|
| 1 | FS108201 | SCREW | 5305-99-122-5366 | | | | | | | | | 6 |
| 2 | HYL9737 | STRAP ASSY (INCLUDES ITEMS 3&4) | 5340-66-128-5969 | | | | | | | | | 2 |
| 3 | NSS | | | | | | | | | | | |
| 4 | NSS | | | | | | | | | | | |
| 5 | HYL9738 | TRAY-JERRYCAN STOWAGE | | | | | | | | | | 1 |
| 6 | SE105401 | SCREW | 5305-99-135-0435 | | | | | | | | | 4 |
| 7 | R345699 | HOOK-ROPE | 2510-99-820-7552 | | | | | | | | | 2 |
| 8 | NY105041L | NUT-NYLOC | 5310-99-122-5494 | | | | | | | | | 4 |
| 9 | WA105001L | WASHER-PLAIN | 5310-99-122-3032 | | | | | | | | | 4 |

CHANGE POINT

ARN INTRODUCTION

GROUP SQAJ

**FIRE EXTINGUISHER MOUNTING BRACKET
- AIR DEFENCE - RAPIER ONLY**

PERENTIE LAND ROVER PARTS LIST

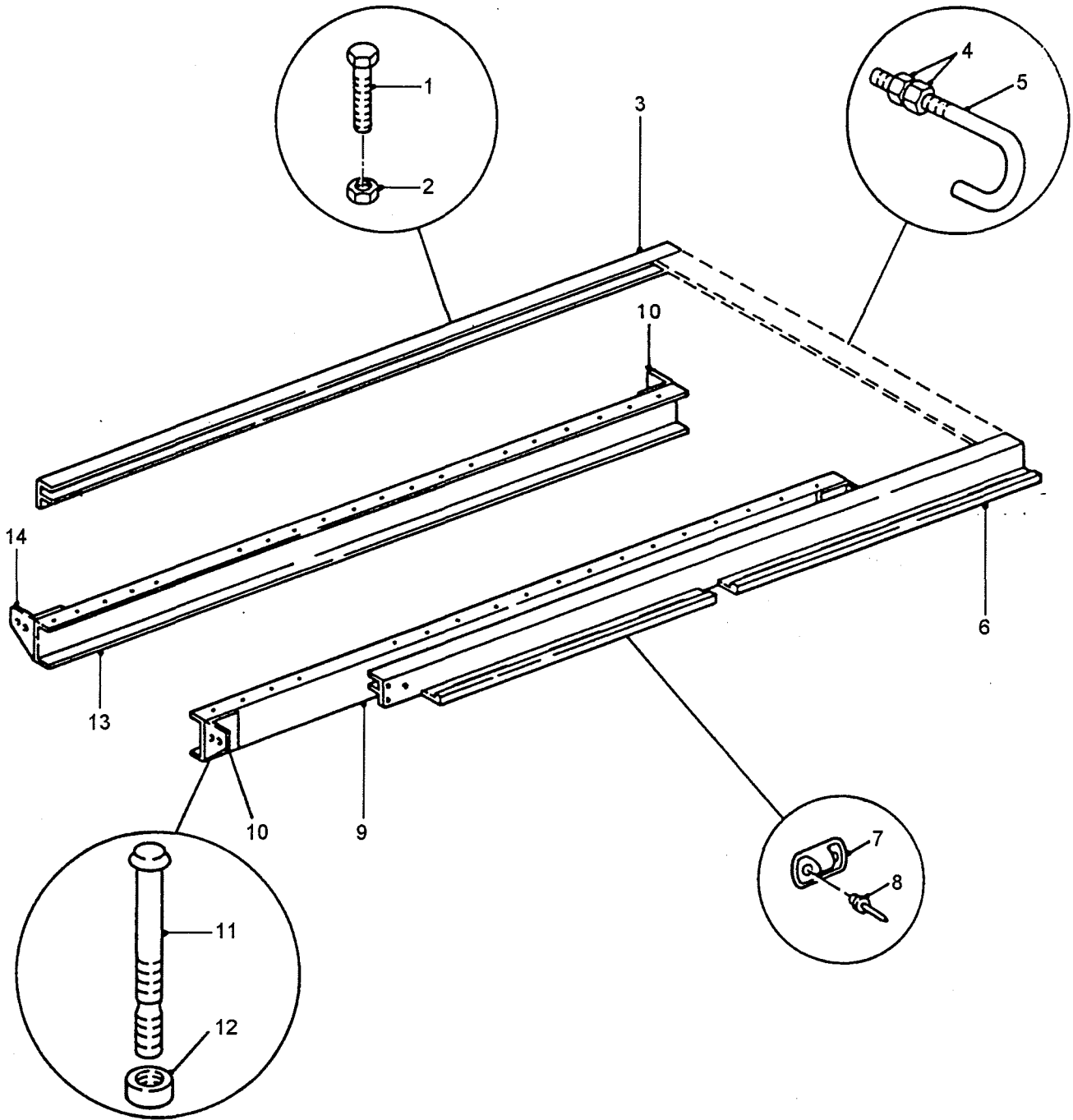
SQAJ/1/1 FIRE EXTINGUISHER MOUNTING BRACKET - AIR DEFENCE - RAPIER ONLY
DERIVATIVE CODE

| <u>ITEM</u> | <u>PART NO.</u> | <u>DESCRIPTION</u> | <u>NSN</u> | <u>2185</u> | <u>2186</u> | <u>2208</u> | <u>2209</u> | <u>2210</u> | <u>2211</u> | <u>2212</u> | <u>2219</u> | <u>CP</u> |
|-------------|-----------------|--------------------|------------------|-------------|-------------|-------------|-------------|-------------|-------------|-------------|-------------|-----------|
| 1 | NSS | | | | | | | | | | | |
| 2 | NSS | | | | | | | | | | | |
| 3 | NSS | | | | | | | | | | | |
| 4 | NY106041L | NUT-NYLOC | 5310-99-138-8423 | | | | | | | | | 4 |
| 5 | WA106041L | WASHER-PLAIN | 5310-66-098-4440 | | | | | | | | | 4 |
| 6 | FS106201 | SCREW | 5305-99-122-5361 | | | | | | | | | 4 |
| 7 | PS608101L | SPLIT PIN | 5315-99-944-0183 | | | | | | | | | 1 |
| 8 | HYG4885 | CHAIN & RING ASSY | | | | | | | | | | 1 |
| 9 | MYH2679 | RING/RETAINER | | | | | | | | | | 2 |
| 10 | NSS | | | | | | | | | | | |

CHANGE POINT

ARN INTRODUCTION

GROUP SQB/1



CARGO BODY FRAME AND MOUNTING

PERENTIE LAND ROVER PARTS LIST

SQB /1/1 CARGO BODY FRAME AND MOUNTING

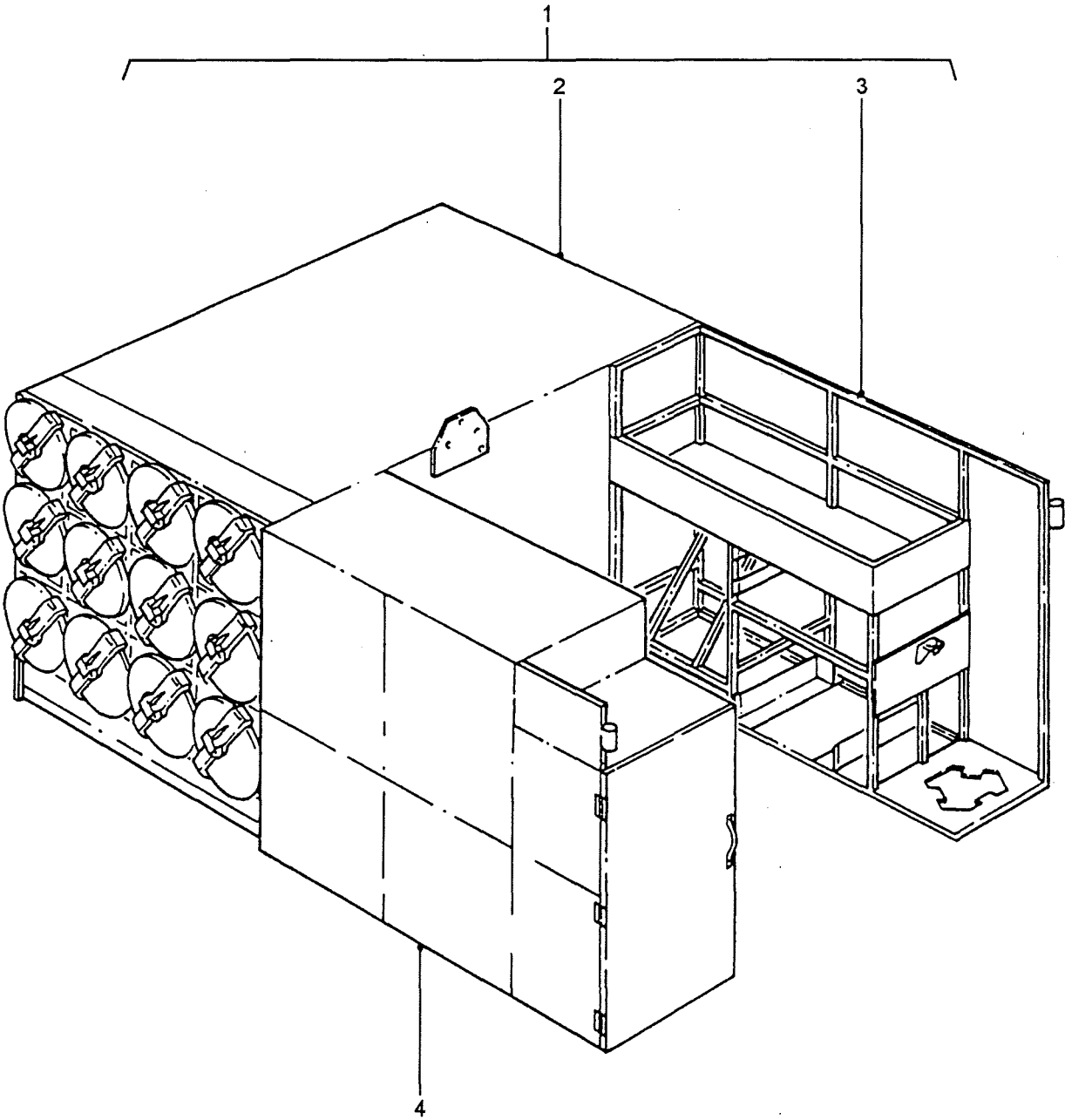
DERIVATIVE CODE

| <u>ITEM</u> | <u>PART NO.</u> | <u>DESCRIPTION</u> | <u>NSN</u> | <u>DERIVATIVE CODE</u> | | | | | | | | |
|-------------|-----------------|--------------------------------|------------------|------------------------|-------------|-------------|-------------|-------------|-------------|-------------|-------------|-----------|
| | | | | <u>2185</u> | <u>2186</u> | <u>2208</u> | <u>2209</u> | <u>2210</u> | <u>2211</u> | <u>2212</u> | <u>2219</u> | <u>CP</u> |
| 1 | HYL8936 | BOLT | 5306-66-128-5501 | 6 | 6 | | | | | | | 6 |
| 2 | HYL8937 | NUT-NYLOC | 5310-66-128-5502 | 6 | 6 | | | | | | | 6 |
| 3 | HYL8938 | COAMING-RH | | 1 | 1 | | | | | | | |
| 3 | HYG6365 | COAMING-RH-CREW CAB ONLY | | | | | | | | | | 1 |
| 4 | HYL9059 | NUT | 5310-66-128-5503 | 12 | 12 | | | | | | | 12 |
| 5 | HYL8939 | HOOKBOLT | 5306-66-128-5504 | 6 | 6 | | | | | | | 6 |
| 6 | HYL8940 | COAMING-LH | | 1 | 1 | | | | | | | |
| 6 | HYG6366 | COAMING-LH-CREW CAB ONLY | | | | | | | | | | 1 |
| 7 | HYL8941 | HOOK-LASHING | 2540-66-128-5506 | 20 | 20 | | | | | | | 20 |
| 8 | HYL8942 | RIVET | 5320-66-128-5505 | 40 | 40 | | | | | | | 40 |
| 9 | HYL8943 | LONGITUDINAL-LH | | 1 | 1 | | | | | | | |
| 9 | HYG6368 | LONGITUDINAL-LH-CREW CAB ONLY | | | | | | | | | | 1 |
| 10 | HYL8944 | STIFFENER-LH FRONT AND RH REAR | | 2 | 2 | | | | | | | 2 |
| 11 | HYL8945 | HUCKBOLT | 5306-66-128-5507 | 24 | 24 | | | | | | | 24 |
| 12 | HYL8934 | COLLAR | 3040-66-128-5500 | 24 | 24 | | | | | | | 24 |
| 13 | HYL8946 | LONGITUDINAL-RH | | 1 | 1 | | | | | | | |
| 13 | HYG6367 | LONGITUDINAL-RH-CREW CAB ONLY | | | | | | | | | | 1 |
| 14 | HYL8947 | STIFFENER-RH FRONT AND LH REAR | | 2 | 2 | | | | | | | 2 |

CHANGE POINT

ARN INTRODUCTION

GROUP SQB/2



**RACKING – AIR DEFENCE
– RBS 70 ONLY**

PERENTIE LAND ROVER PARTS LIST

SQB /2/1 RACKING --AIR DEFENCE - RBS 70 ONLY

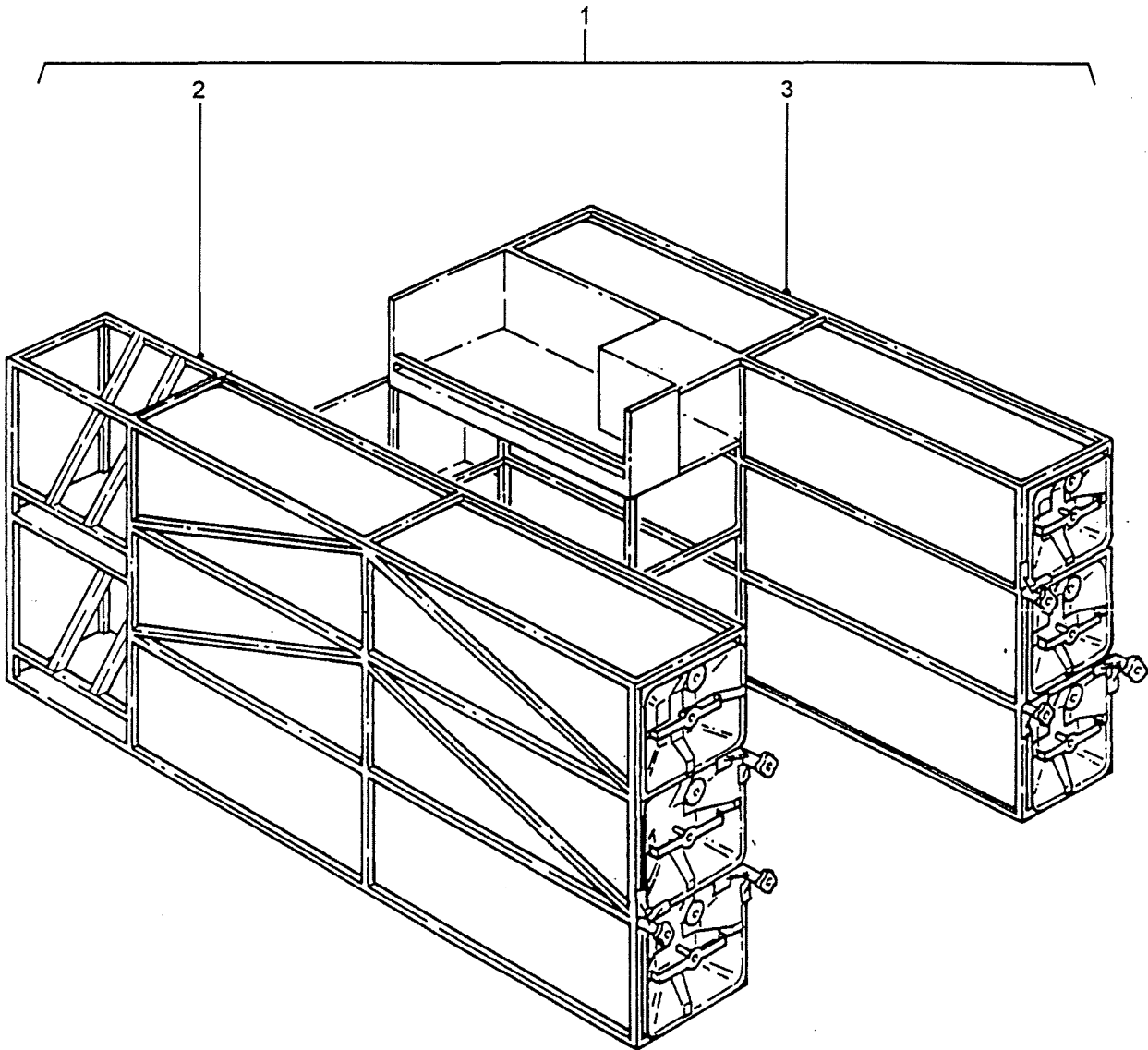
DERIVATIVE CODE

| <u>ITEM</u> | <u>PART NO.</u> | <u>DESCRIPTION</u> | <u>NSN</u> | <u>2185</u> | <u>2186</u> | <u>2208</u> | <u>2209</u> | <u>2210</u> | <u>2211</u> | <u>2212</u> | <u>2219</u> | <u>CP</u> |
|-------------|-----------------|---|------------|-------------|-------------|-------------|-------------|-------------|-------------|-------------|-------------|-----------|
| 1 | HYM435 | RACKING ASSY-RBS 70 (INCLUDES ITEMS 2-4) | | | | | | | | | | 1 |
| 2 | NSS | REFER GROUP SQBA | | | | | | | | | | |
| 3 | HYL9832 | STORAGE ASSY-REFER GROUP SQBA | | | | | | | | | | 1 |
| 4 | NSS | REFER GROUP SQBB | | | | | | | | | | |

CHANGE POINT

ARN INTRODUCTION

GROUP SQB/3



**RACKING – AIR DEFENCE
– RAPIER ONLY**

PERENTIE LAND ROVER PARTS LIST

SQB /3/1 RACKING - AIR DEFENCE - RAPIER ONLY

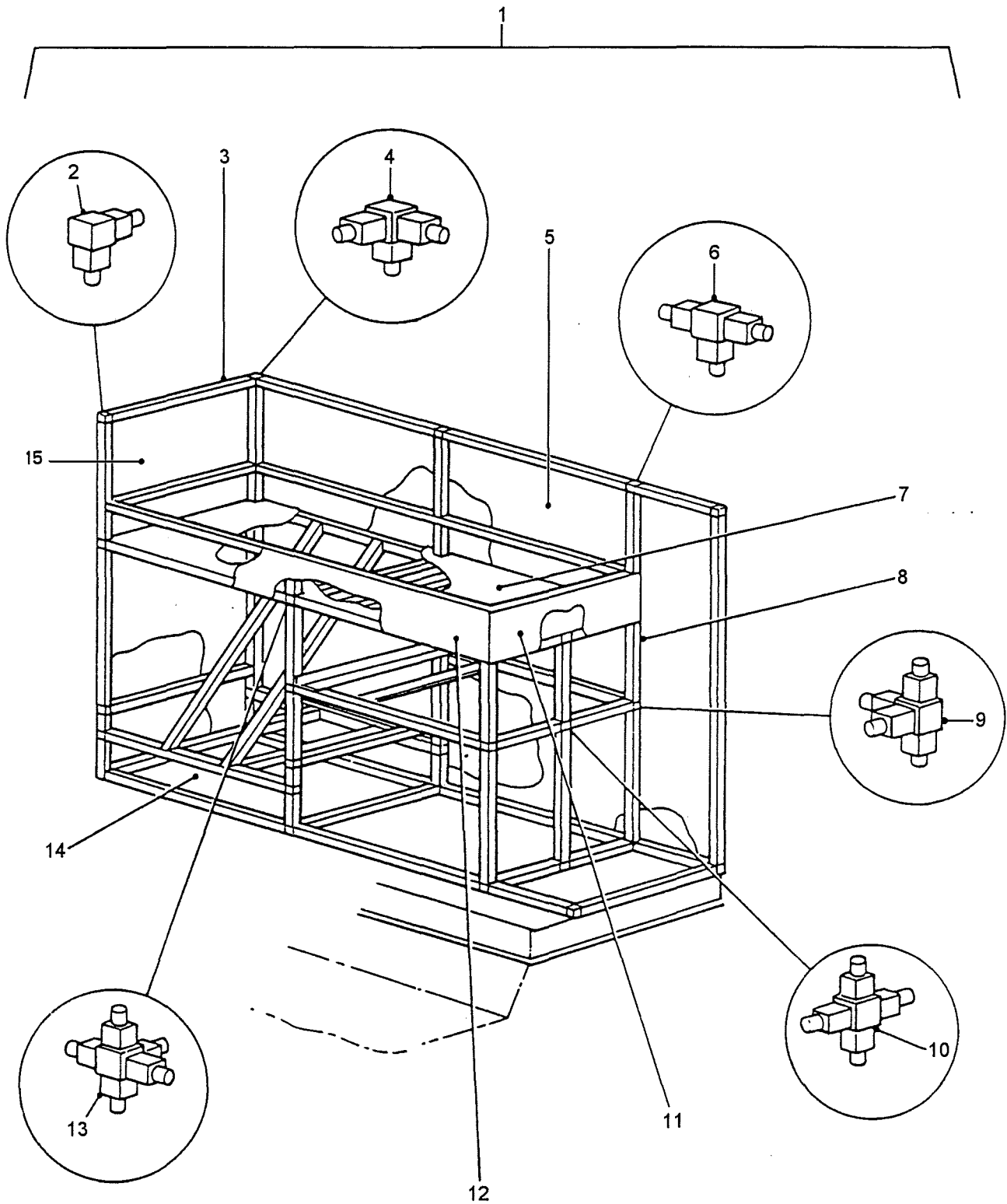
DERIVATIVE CODE

| <u>ITEM</u> | <u>PART NO.</u> | <u>DESCRIPTION</u> | <u>NSN</u> | <u>2185</u> | <u>2186</u> | <u>2208</u> | <u>2209</u> | <u>2210</u> | <u>2211</u> | <u>2212</u> | <u>2219</u> | <u>CP</u> |
|-------------|-----------------|---|------------|-------------|-------------|-------------|-------------|-------------|-------------|-------------|-------------|-----------|
| 1 | HYM436 | RACKING ASSY-RAPIER (INCLUDES ITEMS 2 & 3) | | | | | | | | | | 1 |
| 2 | NSS | REFER GROUP SQBE | | | | | | | | | | |
| 3 | NSS | REFER GROUP SQBD | | | | | | | | | | |

CHANGE POINT

ARN INTRODUCTION

GROUP SQBA SHEET 1



**RH STORAGE COMPARTMENT
- AIR DEFENCE - RBS 70**

PERENTIE LAND ROVER PARTS LIST

SQBA/1/1 RH STORAGE COMPARTMENT - AIR DEFENCE - RBS 70

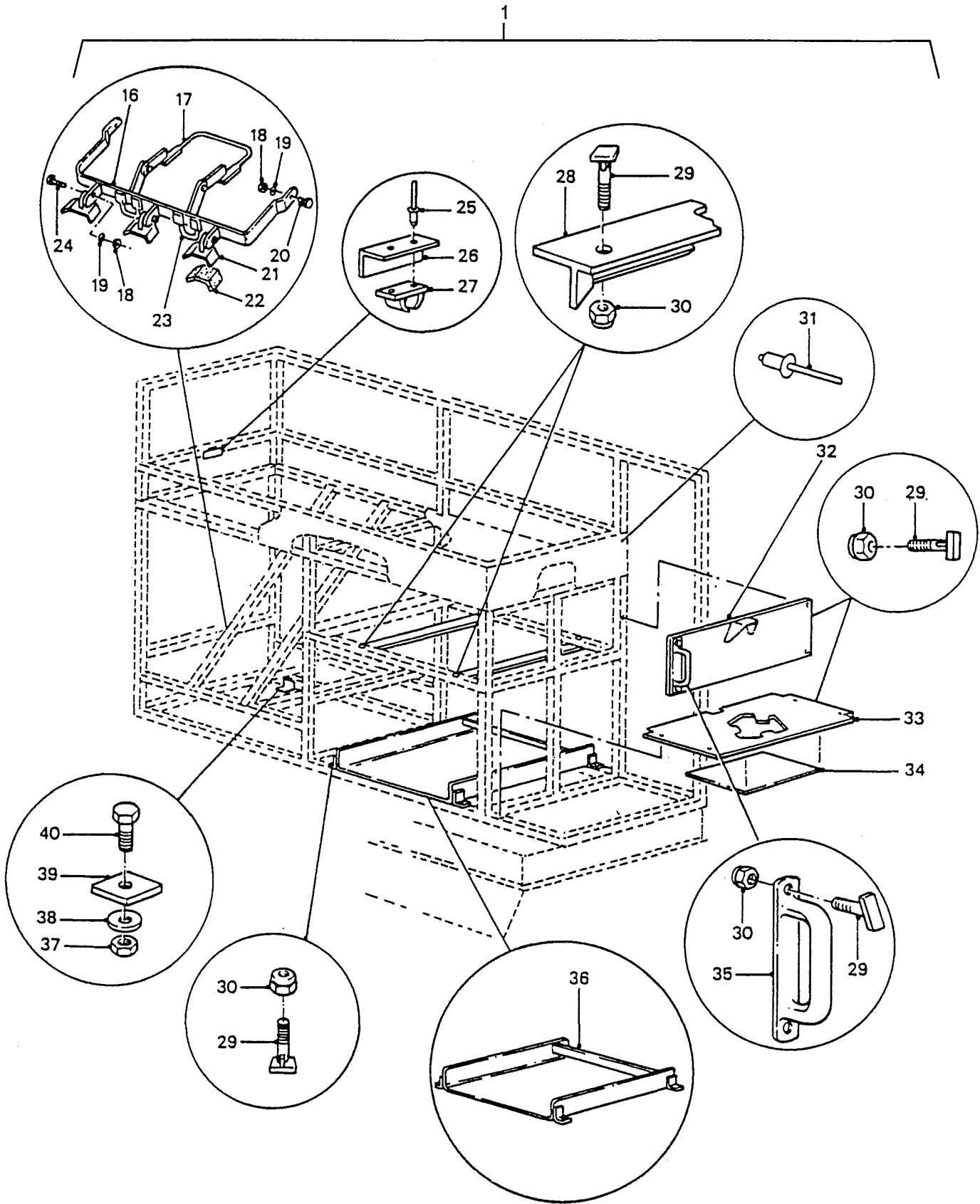
DERIVATIVE CODE

| <u>ITEM</u> | <u>PART NO.</u> | <u>DESCRIPTION</u> | <u>NSN</u> | <u>2185</u> | <u>2186</u> | <u>2208</u> | <u>2209</u> | <u>2210</u> | <u>2211</u> | <u>2212</u> | <u>2219</u> | <u>CP</u> |
|-------------|-----------------|--|------------|-------------|-------------|-------------|-------------|-------------|-------------|-------------|-------------|-----------|
| 1 | HYL9832 | COMPARTMENT ASSY-STORAGE (INCL ITEMS 2 - 77) | | | | | | | | | | 1 |
| 2 | NSS | | | | | | | | | | | |
| 3 | NSS | | | | | | | | | | | |
| 4 | NSS | | | | | | | | | | | |
| 5 | NSS | | | | | | | | | | | |
| 6 | NSS | | | | | | | | | | | |
| 7 | NSS | | | | | | | | | | | |
| 8 | NSS | | | | | | | | | | | |
| 9 | NSS | | | | | | | | | | | |
| 10 | NSS | | | | | | | | | | | |
| 11 | NSS | | | | | | | | | | | |
| 12 | NSS | | | | | | | | | | | |
| 13 | NSS | | | | | | | | | | | |
| 14 | NSS | | | | | | | | | | | |
| 15 | NSS | | | | | | | | | | | |

CHANGE POINT

ARN INTRODUCTION

GROUP SQBA SHEET 2



**RH STORAGE COMPARTMENT
- AIR DEFENCE - RBS 70 - CONTINUED**

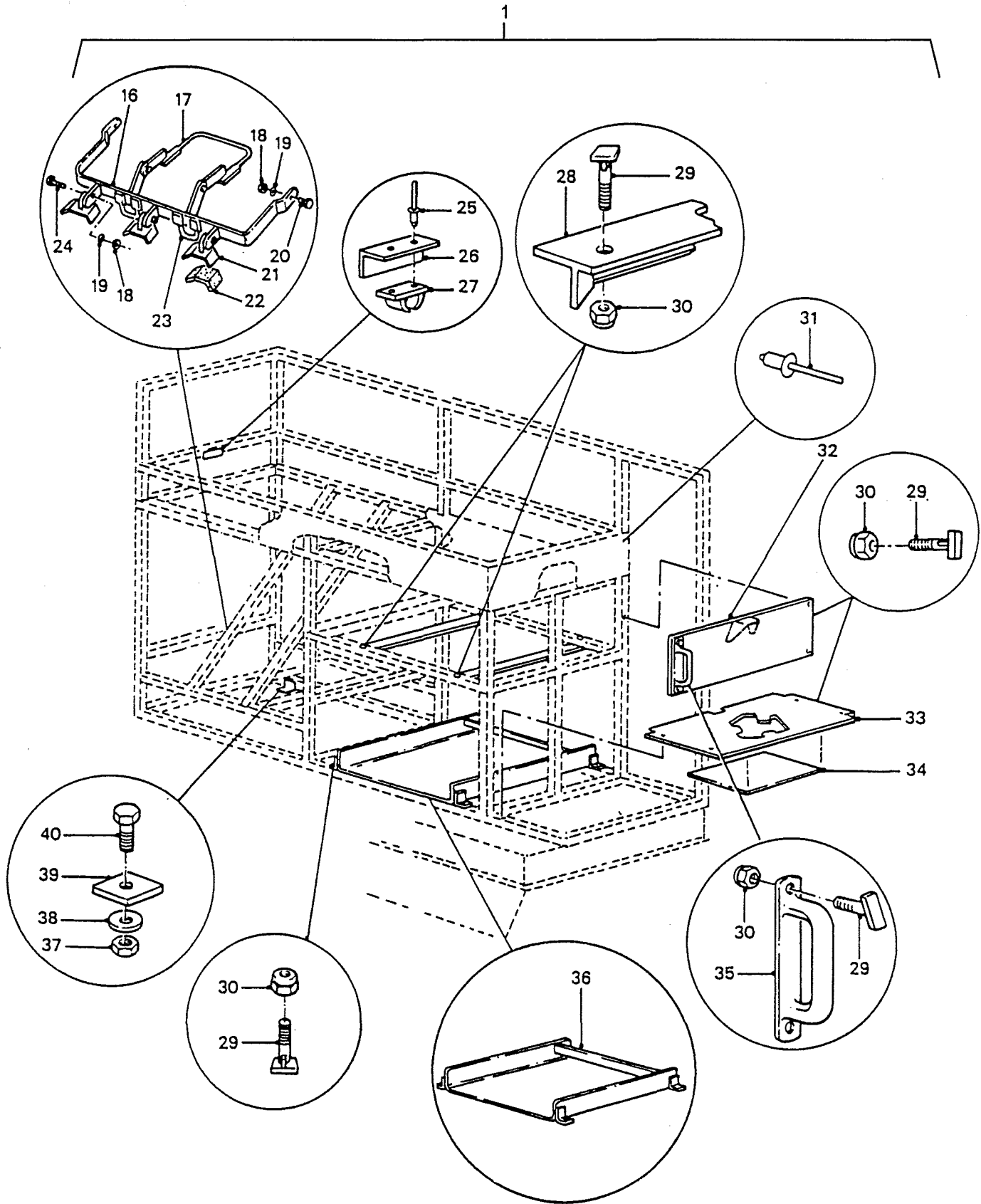
PERENTIE LAND ROVER PARTS LIST

SQBA/1/2 RH STORAGE COMPARTMENT - AIR DEFENCE - RBS 70 - CONTINUED

DERIVATIVE CODE

| <u>ITEM</u> | <u>PART NO.</u> | <u>DESCRIPTION</u> | <u>NSN</u> | <u>2185</u> | <u>2186</u> | <u>2208</u> | <u>2209</u> | <u>2210</u> | <u>2211</u> | <u>2212</u> | <u>2219</u> | <u>CP</u> |
|-------------|-----------------|--------------------------------------|------------------|-------------|-------------|-------------|-------------|-------------|-------------|-------------|-------------|-----------|
| 16 | HYL9833 | FRAME-JERRYCAN CLAMP | | | | | | | | | | 1 |
| 17 | NSS | | | | | | | | | | | |
| 18 | NY108041L | NUT-NYLOC | 5310-99-122-5496 | | | | | | | | | 2 |
| 19 | WA108051L | WASHER-PLAIN | 5310-99-122-6475 | | | | | | | | | 9 |
| 20 | SH108451 | SCREW | | | | | | | | | | 2 |
| 21 | NSS | | | | | | | | | | | |
| 22 | HYL9854 | PAD-RUBBER | | | | | | | | | | 3 |
| 10 | R345699 | HOOK-ROPE | 2510-99-820-7552 | | | | | | | | | 2 |
| | SE105161L | SCREW-HOOK STRAP SECURING | 5305-99-135-0430 | | | | | | | | | 4 |
| | WA105001L | WASHER-PLAIN-HOOK STRAP SECURING | 5310-99-122-3032 | | | | | | | | | 4 |
| | NY105141 | NUT-HOOK STRAP SECURING | | | | | | | | | | 4 |
| 24 | FS108251 | SCREW | 5305-99-122-5367 | | | | | | | | | 6 |
| 25 | RU612183 | POP RIVET | 5320-66-128-4938 | | | | | | | | | 4 |
| 26 | HYL9835 | BRACKET | | | | | | | | | | 2 |
| 27 | HYL9836 | CLIP-SPRING TENSION | 5340-66-128-5971 | | | | | | | | | 2 |
| 28 | HYL9837 | GUIDE | | | | | | | | | | 2 |
| 29 | HYL9646 | BOLT 'T' | 5306-66-128-5972 | | | | | | | | | 18 |
| 30 | NY108041L | NUT-NYLOC | 5310-99-122-5496 | | | | | | | | | 18 |
| 31 | RU612373L | POP RIVET | 5320-99-120-9002 | | | | | | | | | 16 |
| 32 | HYL9838 | PLATE-TRIPOD MOUNTING | | | | | | | | | | 1 |
| 33 | HYL9839 | PLATE | | | | | | | | | | 1 |
| 34 | HYL9840 | SHEET-RUBBER | | | | | | | | | | 2 |
| 35 | HYL9841 | HANDLE-GRAB | | | | | | | | | | 1 |
| 36 | HYL9842 | CRADLE | | | | | | | | | | 1 |
| 37 | NY608041L | NUT-NYLOC | 5310-99-943-4300 | | | | | | | | | 4 |
| 38 | WA112081L | WASHER-PLAIN | 5310-99-122-6477 | | | | | | | | | 4 |
| 39 | HYL9843 | PLATE-REINFORCEMENT 100MM X 100MM | | | | | | | | | | 4 |

GROUP SQBA SHEET 2



**RH STORAGE COMPARTMENT
- AIR DEFENCE - RBS 70 - CONTINUED**

PERENTIE LAND ROVER PARTS LIST

SQBA/1/2 RH STORAGE COMPARTMENT - AIR DEFENCE - RBS 70 - CONTINUED

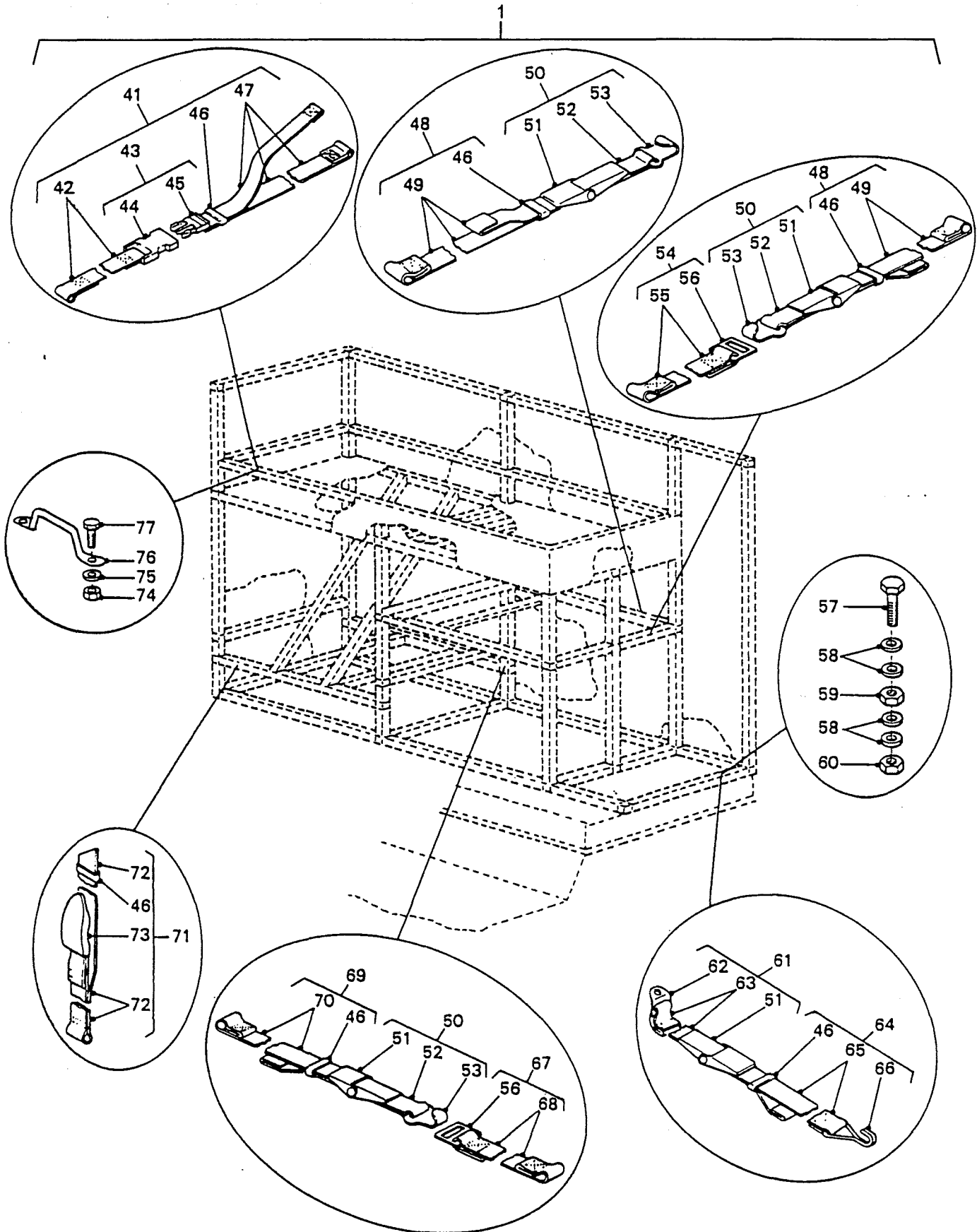
DERIVATIVE CODE

| <u>ITEM</u> | <u>PART NO.</u> | <u>DESCRIPTION</u> | <u>NSN</u> | <u>2185</u> | <u>2186</u> | <u>2208</u> | <u>2209</u> | <u>2210</u> | <u>2211</u> | <u>2212</u> | <u>2219</u> | <u>CP</u> |
|-------------|-----------------|-------------------------------------|------------|-------------|-------------|-------------|-------------|-------------|-------------|-------------|-------------|-----------|
| | HYL9844 | PLATE-REINFORCEMENT 100MM X 70MM | | | | | | | | | | 2 |
| 40 | BH608161 | BOLT | | | | | | | | | | 4 |

CHANGE POINT

ARN INTRODUCTION

GROUP SQBA SHEET 3



**RH STORAGE COMPARTMENT
- AIR DEFENCE - RBS 70 - CONTINUED**

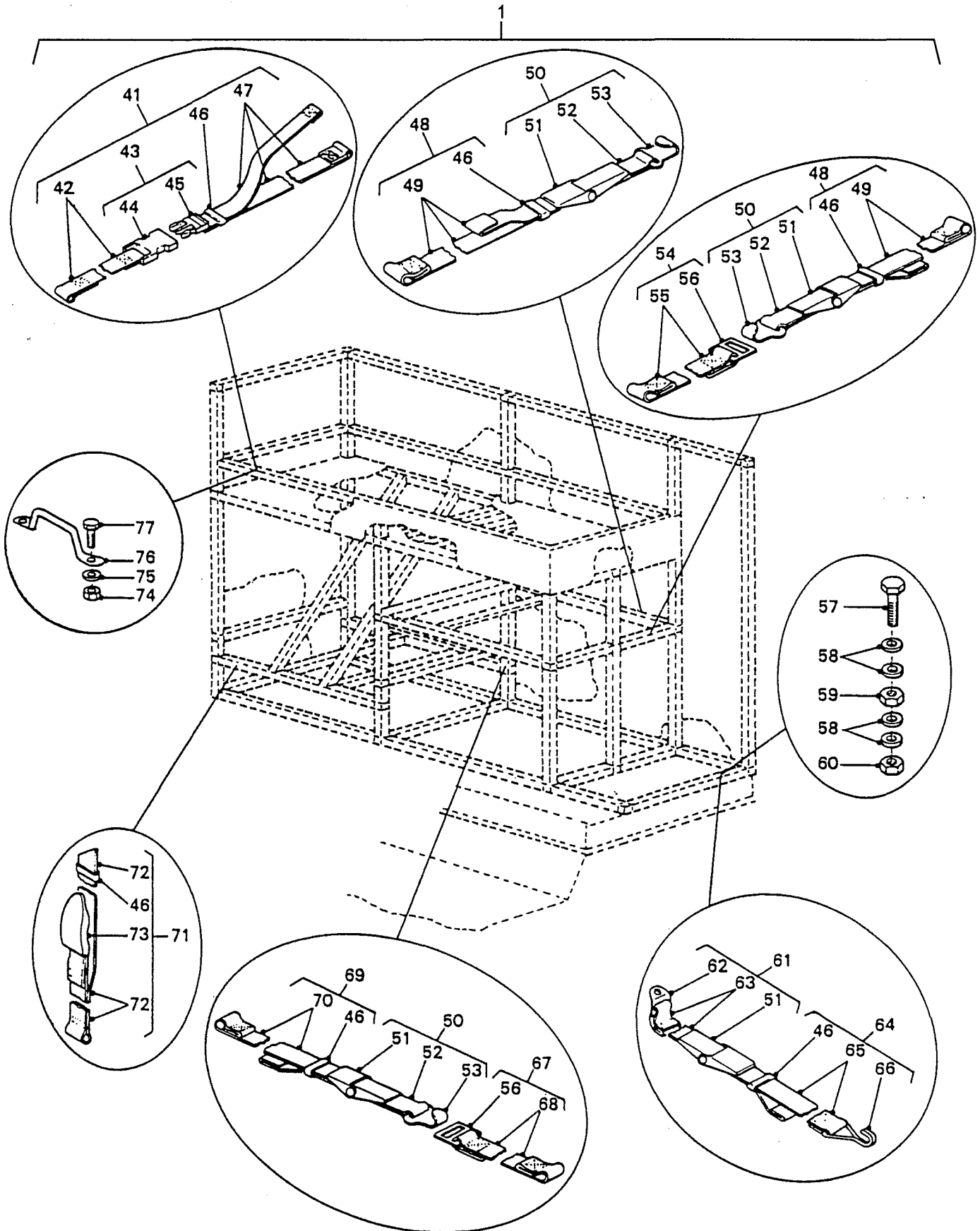
PERENTIE LAND ROVER PARTS LIST

SQBA/1/3 RH STORAGE COMPARTMENT - AIR DEFENCE - RBS 70 - CONTINUED

DERIVATIVE CODE

| <u>ITEM</u> | <u>PART NO.</u> | <u>DESCRIPTION</u> | <u>NSN</u> | <u>2185</u> | <u>2186</u> | <u>2208</u> | <u>2209</u> | <u>2210</u> | <u>2211</u> | <u>2212</u> | <u>2219</u> | <u>CP</u> |
|-------------|-----------------|--------------------|------------------|-------------|-------------|-------------|-------------|-------------|-------------|-------------|-------------|-----------|
| 41 | HYL9845 | STRAP ASSY | | | | | | | | | | 3 |
| 42 | NSS | | | | | | | | | | | |
| 43 | NSS | | | | | | | | | | | |
| 44 | NSS | | | | | | | | | | | |
| 45 | NSS | | | | | | | | | | | |
| 46 | NSS | | | | | | | | | | | |
| 47 | NSS | | | | | | | | | | | |
| 48 | HYL9846 | STRAP ASSY | | | | | | | | | | 1 |
| 49 | NSS | | | | | | | | | | | |
| 50 | HYL9847 | STRAP ASSY | 5340-66-128-5973 | | | | | | | | | 1 |
| 51 | NSS | | | | | | | | | | | |
| 52 | NSS | | | | | | | | | | | |
| 53 | NSS | | | | | | | | | | | |
| 54 | HYL9848 | STRAP ASSY | | | | | | | | | | 1 |
| 55 | NSS | | | | | | | | | | | |
| 56 | NSS | | | | | | | | | | | |
| 57 | BH605161L | BOLT | | | | | | | | | | 1 |
| 58 | WA108051L | WASHER-PLAIN | 5310-99-122-6475 | | | | | | | | | 4 |
| 59 | NH605041L | NUT | 5310-66-128-4505 | | | | | | | | | 1 |
| 60 | NY605041L | NUT-NYLOC | 5310-66-010-7827 | | | | | | | | | 1 |
| 61 | HYL9849 | STRAP ASSY | 5340-66-128-5975 | | | | | | | | | 1 |
| 62 | NSS | | | | | | | | | | | |
| 63 | NSS | | | | | | | | | | | |
| 64 | HYL9850 | STRAP ASSY | | | | | | | | | | 1 |
| 65 | NSS | | | | | | | | | | | |
| 66 | NSS | | | | | | | | | | | |
| 67 | HYL9851 | STRAP ASSY | | | | | | | | | | 1 |
| 68 | NSS | | | | | | | | | | | |
| 69 | HYL9852 | STRAP ASSY | | | | | | | | | | 1 |

GROUP SQBA SHEET 3



**RH STORAGE COMPARTMENT
- AIR DEFENCE - RBS 70 - CONTINUED**

PERENTIE LAND ROVER PARTS LIST

SQBA/1/3 RH STORAGE COMPARTMENT - AIR DEFENCE - RBS 70 - CONTINUED

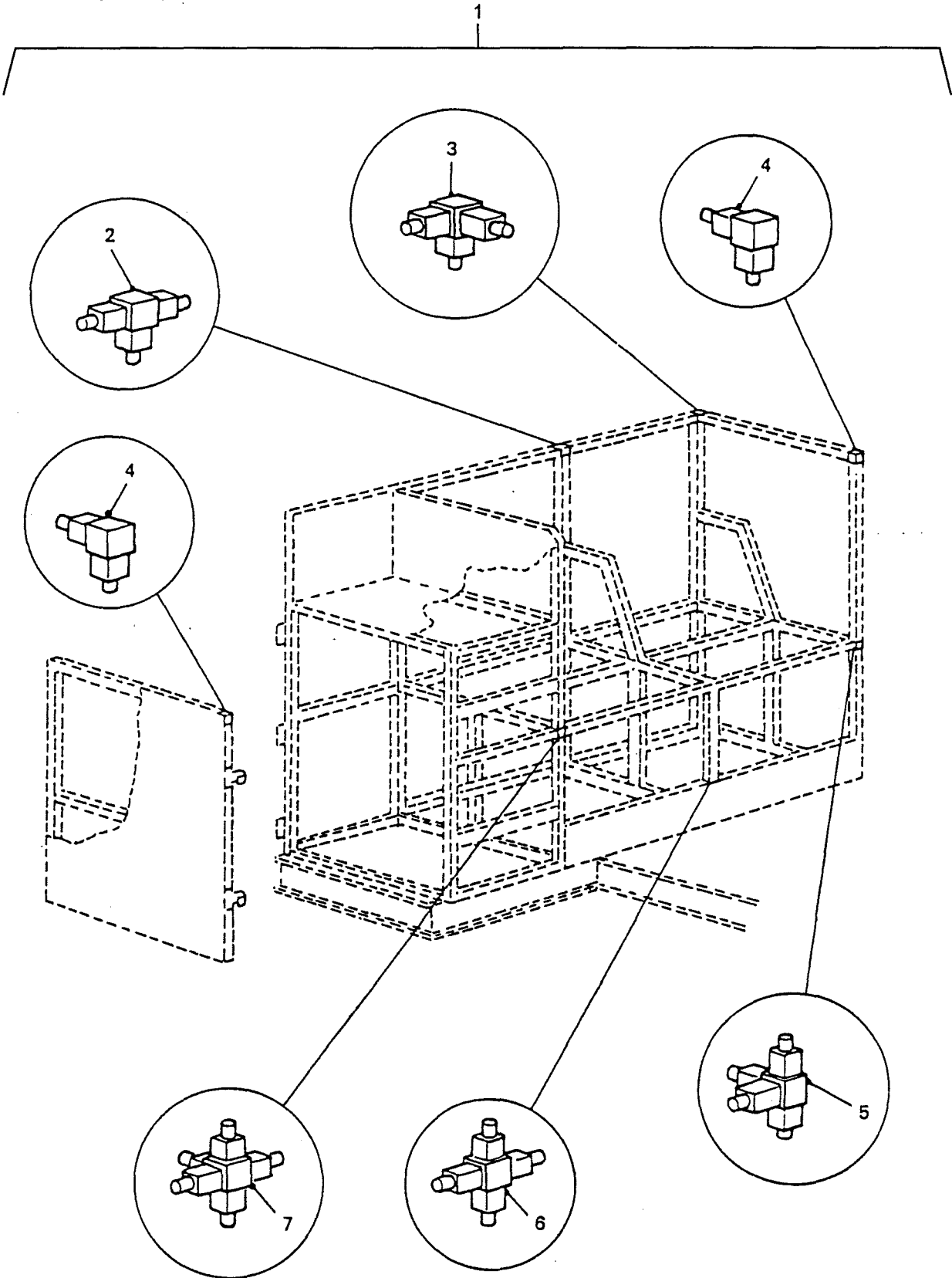
DERIVATIVE CODE

| <u>ITEM</u> | <u>PART NO.</u> | <u>DESCRIPTION</u> | <u>NSN</u> | <u>2185</u> | <u>2186</u> | <u>2208</u> | <u>2209</u> | <u>2210</u> | <u>2211</u> | <u>2212</u> | <u>2219</u> | <u>CP</u> |
|-------------|-----------------|--------------------|------------------|-------------|-------------|-------------|-------------|-------------|-------------|-------------|-------------|-----------|
| 70 | NSS | | | | | | | | | | | |
| 71 | HYL9853 | STRAP ASSY | | | | | | | | | | 2 |
| 72 | NSS | | | | | | | | | | | |
| 73 | NSS | | | | | | | | | | | |
| 74 | NY105041L | NUT-NYLOC | 5310-99-122-5494 | | | | | | | | | 14 |
| 75 | WA105001L | WASHER-PLAIN | 5310-99-122-3032 | | | | | | | | | 14 |
| 76 | R395143 | STAPLE | 2540-99-824-6204 | | | | | | | | | 7 |
| 77 | SE105401 | SCREW | 5305-99-135-0435 | | | | | | | | | 14 |

CHANGE POINT

ARN INTRODUCTION

GROUP SQBB SHEET 1



**LH STORAGE COMPARTMENT
- AIR DEFENCE - RBS 70**

PERENTIE LAND ROVER PARTS LIST

SQBB/1/1 LH STORAGE COMPARTMENT - AIR DEFENCE - RBS 70

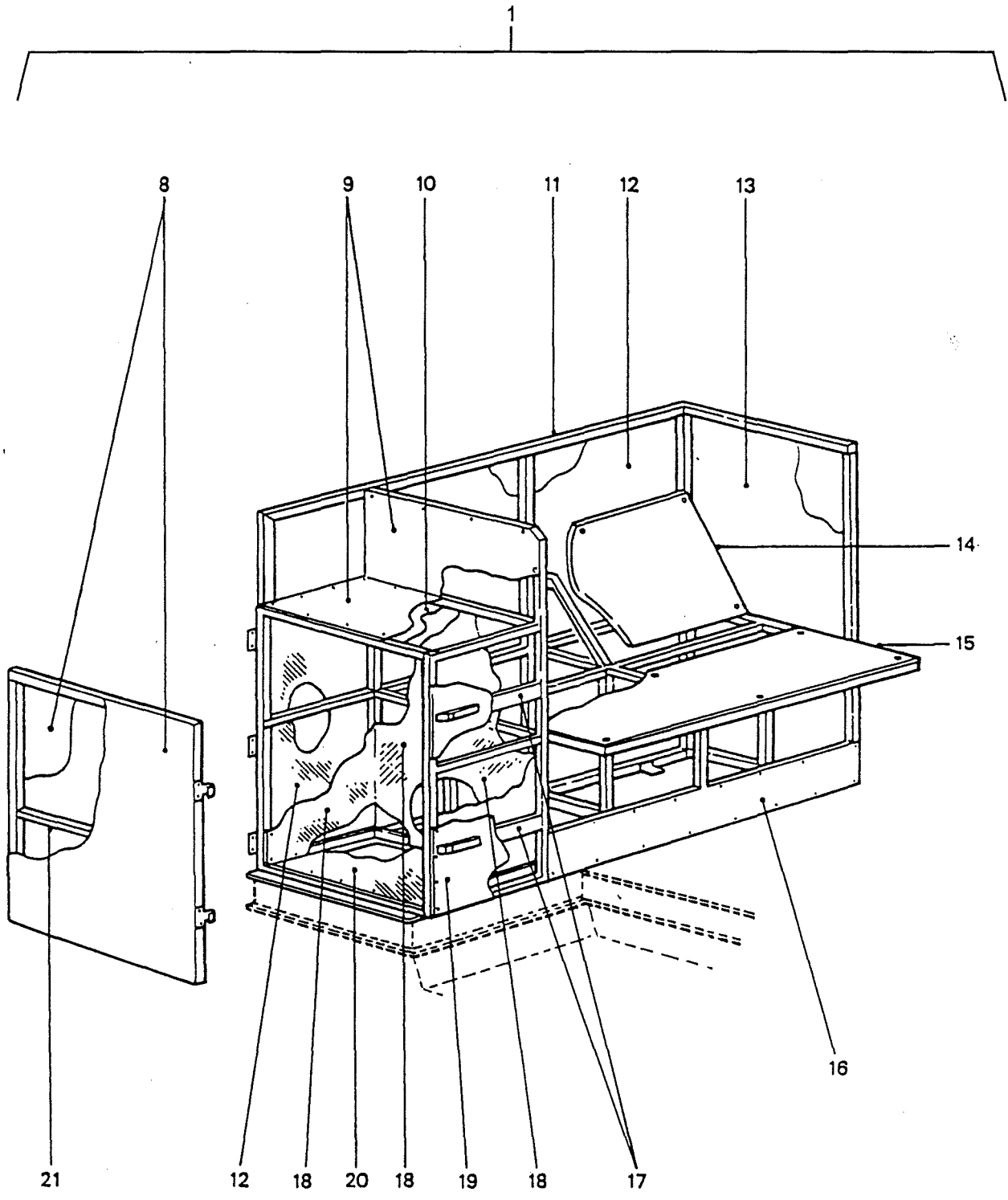
DERIVATIVE CODE

| <u>ITEM</u> | <u>PART NO.</u> | <u>DESCRIPTION</u> | <u>NSN</u> | <u>2185</u> | <u>2186</u> | <u>2208</u> | <u>2209</u> | <u>2210</u> | <u>2211</u> | <u>2212</u> | <u>2219</u> | <u>CP</u> |
|-------------|-----------------|--|------------|-------------|-------------|-------------|-------------|-------------|-------------|-------------|-------------|-----------|
| 1 | HYL9693 | COMPARTMENT ASSY-STORAGE (INCL ITEMS 2 - 49) | | | | | | | | | | 1 |
| 2 | NSS | | | | | | | | | | | |
| 3 | NSS | | | | | | | | | | | |
| 4 | NSS | | | | | | | | | | | |
| 5 | NSS | | | | | | | | | | | |
| 6 | NSS | | | | | | | | | | | |
| 7 | NSS | | | | | | | | | | | |

CH/ E POINT

ARN INTRODUCTION

GROUP SQBB SHEET 2



**LH STORAGE COMPARTMENT
- AIR DEFENCE - RBS 70 - CONTINUED**

PERENTIE LAND ROVER PARTS LIST

SQBB/1/2 LH STORAGE COMPARTMENT - AIR DEFENCE - RBS 70 - CONTINUED

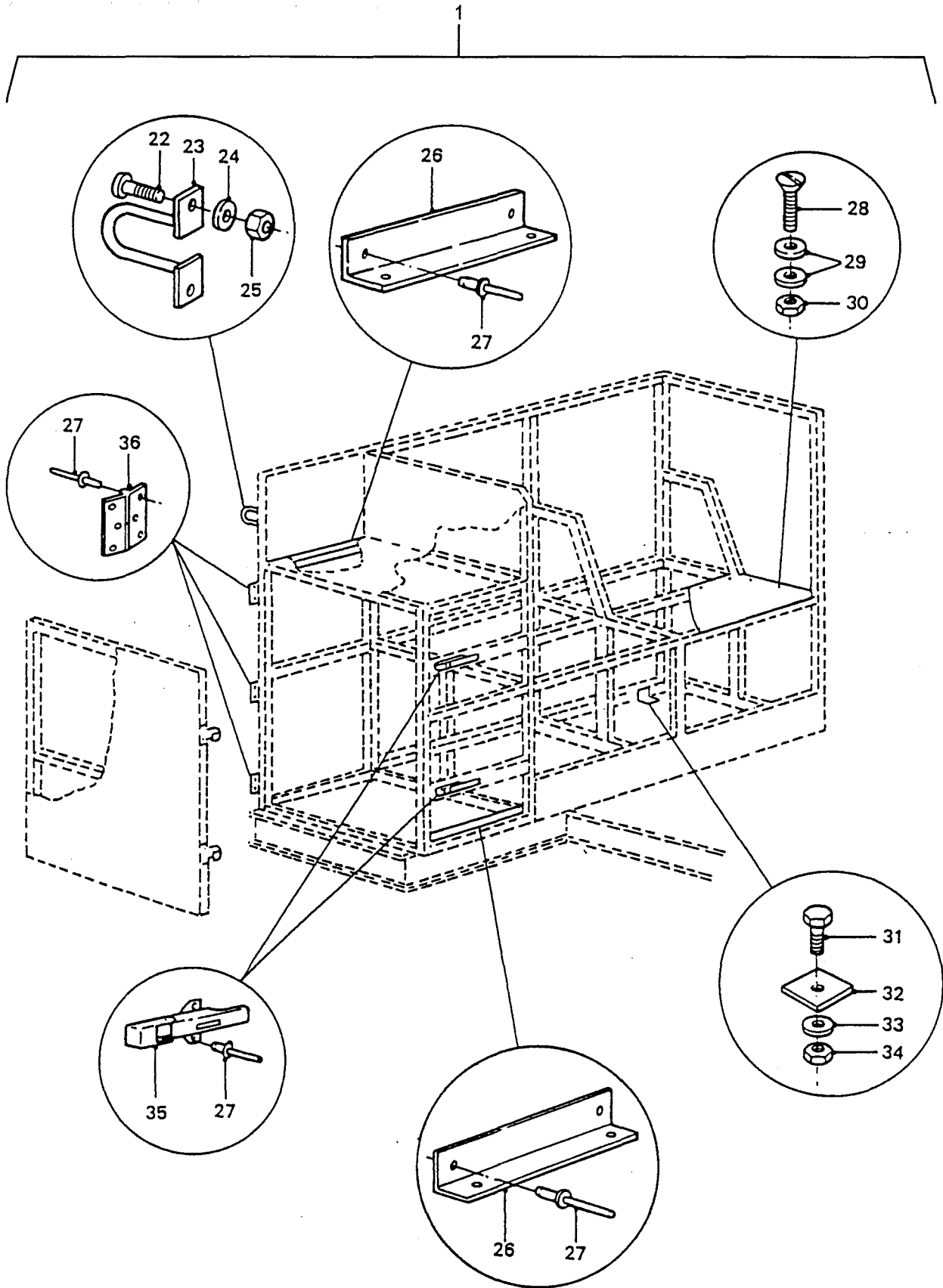
DERIVATIVE CODE

| <u>ITEM</u> | <u>PART NO.</u> | <u>DESCRIPTION</u> | <u>NSN</u> | <u>2185</u> | <u>2186</u> | <u>2208</u> | <u>2209</u> | <u>2210</u> | <u>2211</u> | <u>2212</u> | <u>2219</u> | <u>CP</u> |
|-------------|-----------------|--------------------|------------|-------------|-------------|-------------|-------------|-------------|-------------|-------------|-------------|-----------|
| 8 | NSS | | | | | | | | | | | |
| 9 | NSS | | | | | | | | | | | |
| 10 | NSS | | | | | | | | | | | |
| 11 | NSS | | | | | | | | | | | |
| 12 | NSS | | | | | | | | | | | |
| 13 | NSS | | | | | | | | | | | |
| 14 | NSS | | | | | | | | | | | |
| 15 | NSS | | | | | | | | | | | |
| 16 | NSS | | | | | | | | | | | |
| 17 | NSS | | | | | | | | | | | |
| 18 | NSS | | | | | | | | | | | |
| 19 | NSS | | | | | | | | | | | |
| 20 | NSS | | | | | | | | | | | |
| 21 | NSS | | | | | | | | | | | |

CHANGE POINT

ARN INTRODUCTION

GROUP SQBB SHEET 3



**LH STORAGE COMPARTMENT
- AIR DEFENCE - RBS 70 - CONTINUED**

PERENTIE LAND ROVER PARTS LIST

SQBB/1/3 LH STORAGE COMPARTMENT - AIR DEFENCE - RBS 70 - CONTINUED

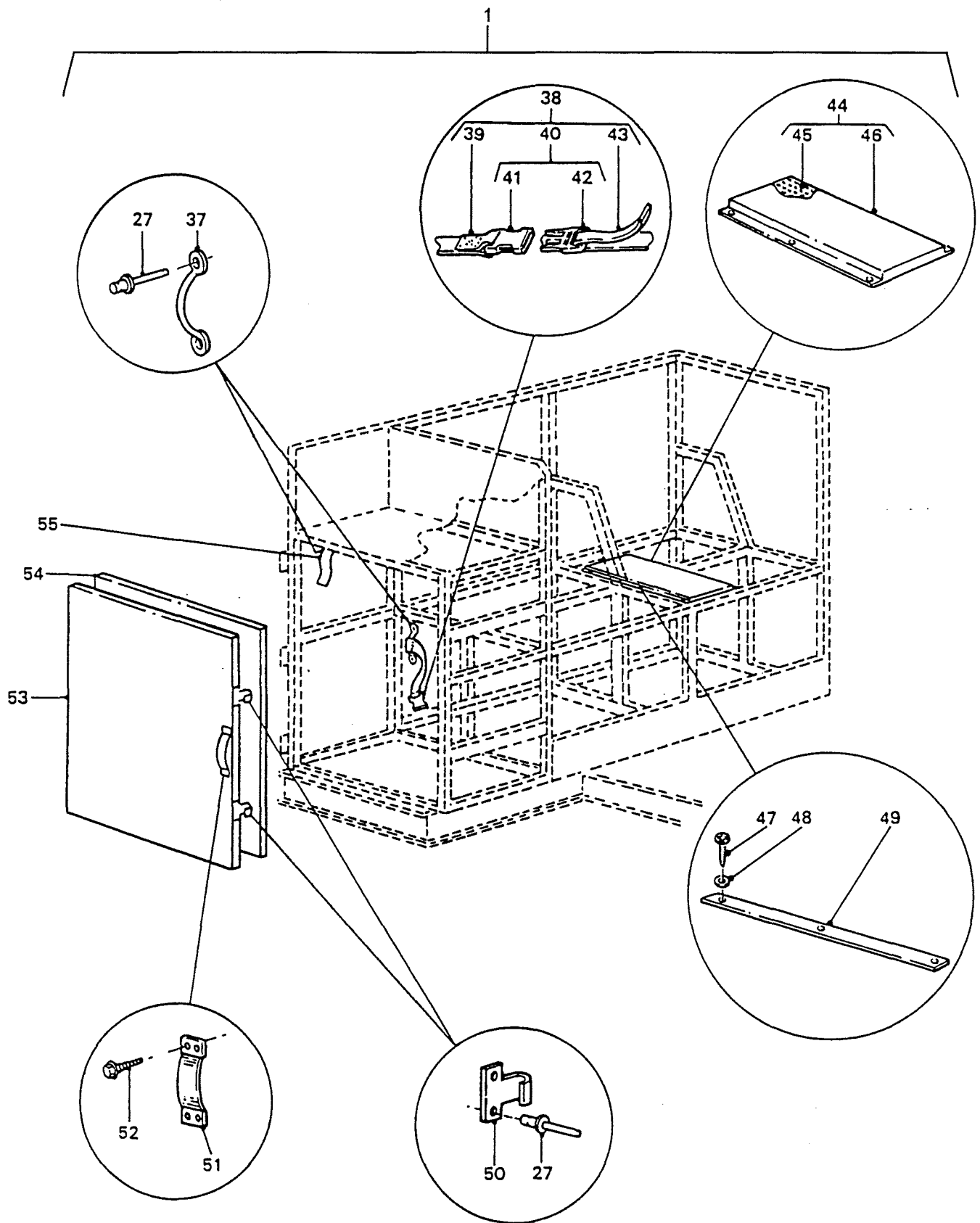
DERIVATIVE CODE

| <u>ITEM</u> | <u>PART NO.</u> | <u>DESCRIPTION</u> | <u>NSN</u> | <u>2185</u> | <u>2186</u> | <u>2208</u> | <u>2209</u> | <u>2210</u> | <u>2211</u> | <u>2212</u> | <u>2219</u> | <u>CP</u> |
|-------------|-----------------|---------------------|------------------|-------------|-------------|-------------|-------------|-------------|-------------|-------------|-------------|-----------|
| 22 | HYL9726 | SCREW | | | | | | | | | | 2 |
| 23 | R345699 | HOOK-ROPE | 2510-99-820-7552 | | | | | | | | | 1 |
| 24 | WA600061L | WASHER-PLAIN | | | | | | | | | | 2 |
| 25 | HYL9727 | NUT | | | | | | | | | | 2 |
| 26 | NSS | | | | | | | | | | | |
| 27 | RU612373L | POP RIVET | 5320-99-120-9002 | | | | | | | | | 18 |
| 28 | HYL9728 | SCREW | | | | | | | | | | 12 |
| 29 | WA106001L | WASHER-PLAIN | | | | | | | | | | 12 |
| 30 | NY106041L | NUT-NYLOC | 5310-99-138-8423 | | | | | | | | | 12 |
| 31 | BH112111 | BOLT | | | | | | | | | | 4 |
| 32 | HYL9729 | PLATE-REINFORCEMENT | | | | | | | | | | 4 |
| 33 | WA112081L | WASHER-PLAIN | 5310-99-122-6477 | | | | | | | | | 4 |
| 34 | NY112041L | NUT-NYLOC | 5310-99-768-7269 | | | | | | | | | 4 |
| 35 | HYL9730 | FASTENER | 2590-66-128-5977 | | | | | | | | | 2 |
| 36 | HYL9731 | HINGE | | | | | | | | | | 3 |

CHANGE POINT

ARN INTRODUCTION

GROUP SQBB SHEET 4



**LH STORAGE COMPARTMENT
- AIR DEFENCE - RBS 70 - CONTINUED**

PERENTIE LAND ROVER PARTS LIST

SQBB/1/4 LH STORAGE COMPARTMENT - AIR DEFENCE - RBS 70 - CONTINUED

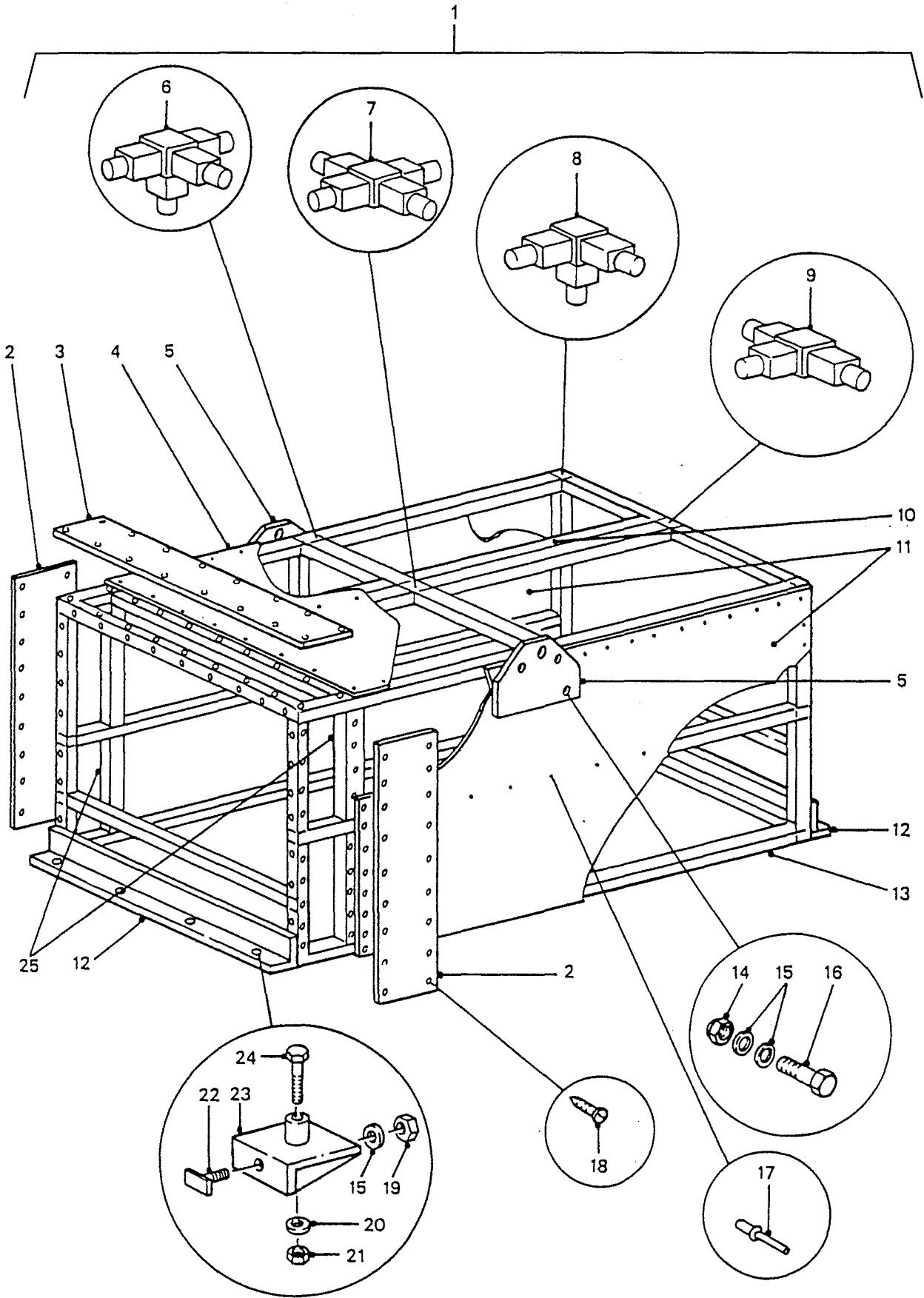
DERIVATIVE CODE

| <u>ITEM</u> | <u>PART NO.</u> | <u>DESCRIPTION</u> | <u>NSN</u> | <u>2185</u> | <u>2186</u> | <u>2208</u> | <u>2209</u> | <u>2210</u> | <u>2211</u> | <u>2212</u> | <u>2219</u> | <u>CP</u> |
|-------------|-----------------|--------------------|------------------|-------------|-------------|-------------|-------------|-------------|-------------|-------------|-------------|-----------|
| 37 | R395143 | STAPLE | 2540-99-824-6204 | | | | | | | | | 4 |
| 38 | HYL9736 | STRAP ASSY | | | | | | | | | | 1 |
| 39 | NSS | | | | | | | | | | | |
| 40 | NSS | | | | | | | | | | | |
| 41 | NSS | | | | | | | | | | | |
| 42 | NSS | | | | | | | | | | | |
| 43 | NSS | | | | | | | | | | | |
| 44 | HYG4595 | PAD-SEAT | | | | | | | | | | 2 |
| 45 | NSS | | | | | | | | | | | |
| 46 | NSS | | | | | | | | | | | |
| 47 | AB608047 | SCREW | | | | | | | | | | 12 |
| 48 | WC104001L | WASHER-PLAIN | | | | | | | | | | 12 |
| 49 | HYG4635 | CLAMP STRIP | | | | | | | | | | 4 |
| 50 | HYL9732 | PLATE-CATCH | | | | | | | | | | 2 |
| 51 | HYL9733 | HANDLE. | | | | | | | | | | 1 |
| 52 | MYH3337 | SCREW | 5305-66-128-5341 | | | | | | | | | 6 |
| 53 | HYL9735 | DOOR ASSY-LOCKER | | | | | | | | | | 1 |
| 54 | HYL9734 | SEAL-DOOR | | | | | | | | | | 1 |
| 55 | NSS | | | | | | | | | | | |

CHANGE POINT

ARN INTRODUCTION

GROUP SQBC SHEET 1



**MISSILE STORAGE COMPARTMENT
- AIR DEFENCE - RBS 70**

PERENTIE LAND ROVER PARTS LIST

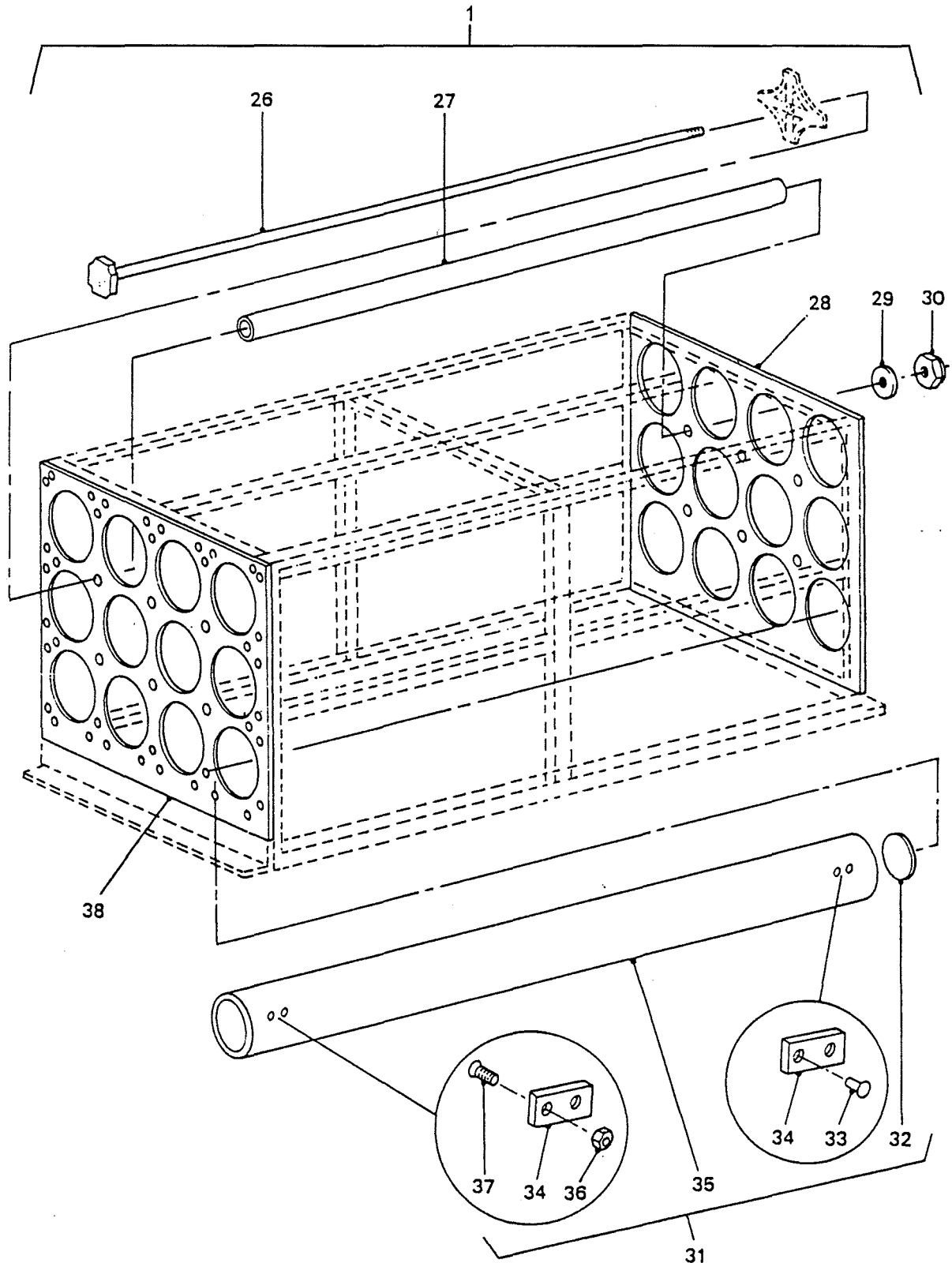
SQBC/1/1 MISSILE STORAGE COMPARTMENT - AIR DEFENCE - RBS 70

DERIVATIVE CODE

| <u>ITEM</u> | <u>PART NO.</u> | <u>DESCRIPTION</u> | <u>NSN</u> | <u>2185</u> | <u>2186</u> | <u>2208</u> | <u>2209</u> | <u>2210</u> | <u>2211</u> | <u>2212</u> | <u>2219</u> | <u>CP</u> |
|-------------|-----------------|--|------------------|-------------|-------------|-------------|-------------|-------------|-------------|-------------|-------------|-----------|
| 1 | HYL9694 | COMPARTMENT ASSY-STORAGE-MISSILE (INCL ITEMS 2 - 63) | | | | | | | | | | 1 |
| 2 | NSS | | | | | | | | | | | |
| 3 | NSS | | | | | | | | | | | |
| 4 | NSS | | | | | | | | | | | |
| 5 | HYL9695 | BRACKET-LIFT | | | | | | | | | | 2 |
| 6 | NSS | | | | | | | | | | | |
| 7 | NSS | | | | | | | | | | | |
| 8 | NSS | | | | | | | | | | | |
| 9 | NSS | | | | | | | | | | | |
| 10 | NSS | | | | | | | | | | | |
| 11 | NSS | | | | | | | | | | | |
| 12 | NSS | | | | | | | | | | | |
| 13 | NSS | | | | | | | | | | | |
| 14 | NY110041L | NUT-NYLOC | 5310-99-122-5497 | | | | | | | | | 6 |
| 15 | WA110001L | WASHER-PLAIN | | | | | | | | | | 20 |
| 16 | BH110101L | BOLT | | | | | | | | | | 6 |
| 17 | HYL9696 | RIVET | | | | | | | | | | 138 |
| 18 | AB606031L | SCREW | 5305-99-901-9736 | | | | | | | | | 56 |
| 19 | HYL9697 | NUT-NYLOC | | | | | | | | | | 8 |
| 20 | WA112081L | WASHER-PLAIN | 5310-99-122-6477 | | | | | | | | | 8 |
| 21 | NY608041L | NUT-NYLOC | 5310-99-943-4300 | | | | | | | | | 8 |
| 22 | HYL9667 | BOLT 'T' | 5306-66-128-5968 | | | | | | | | | 8 |
| 23 | HYL9698 | BRACKET-LH | | | | | | | | | | 4 |
| | HYL9699 | BRACKET-RH | | | | | | | | | | 4 |
| 24 | HYL9700 | BOLT | | | | | | | | | | 8 |
| 25 | NSS | | | | | | | | | | | |

CHANGE POINT

ARN INTRODUCTION

GROUP SQBC SHEET 2

**MISSILE STORAGE COMPARTMENT
- AIR DEFENCE - RBS 70 - CONTINUED**

PERENTIE LAND ROVER PARTS LIST

SQBC/1/2 MISSILE STORAGE COMPARTMENT - AIR DEFENCE - RBS 70 - CONTINUED

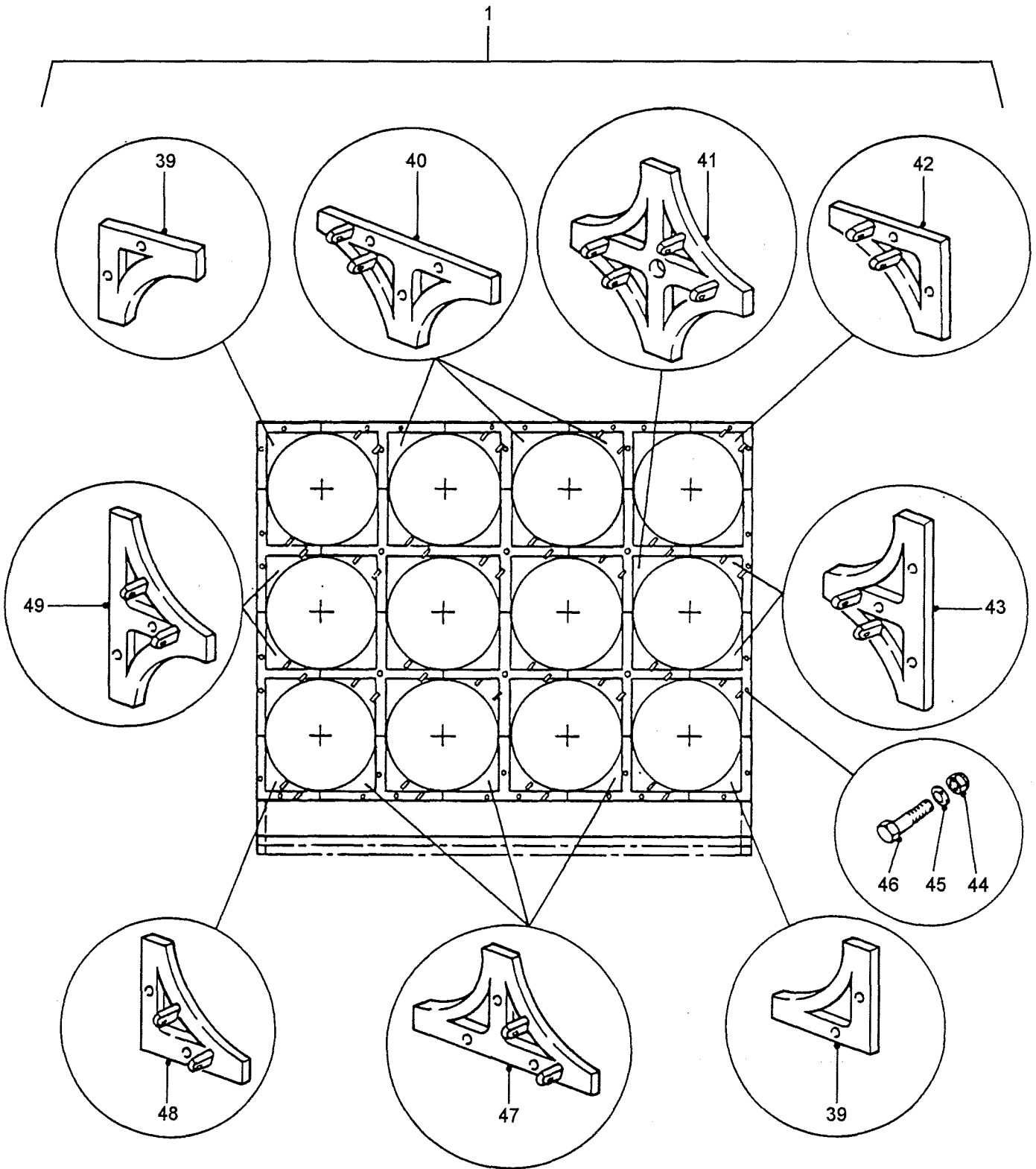
DERIVATIVE CODE

| <u>ITEM</u> | <u>PART NO.</u> | <u>DESCRIPTION</u> | <u>NSN</u> | <u>2185</u> | <u>2186</u> | <u>2208</u> | <u>2209</u> | <u>2210</u> | <u>2211</u> | <u>2212</u> | <u>2219</u> | <u>CP</u> |
|-------------|-----------------|---|------------------|-------------|-------------|-------------|-------------|-------------|-------------|-------------|-------------|-----------|
| 26 | HYL9701 | ROD-STAY | | | | | | | | | | 6 |
| 27 | HYL9702 | TUBE-STAY | | | | | | | | | | 6 |
| 28 | NSS | | | | | | | | | | | |
| 29 | WA112001 | WASHER-PLAIN | | | | | | | | | | 6 |
| 30 | NY112041L | NUT-NYLOC | 5310-99-768-7269 | | | | | | | | | 6 |
| 31 | HYL9703 | TUBE ASSY-MISSILE (INCL ITEMS 32 - 37) | | | | | | | | | | 12 |
| 32 | NSS | | | | | | | | | | | |
| 33 | AFU1350 | MONOBOLT | | | | | | | | | | 1 |
| 34 | HYL9704 | PLATE-TUBE | | | | | | | | | | 4 |
| 35 | NSS | | | | | | | | | | | |
| 36 | HYL9801 | NUT | | | | | | | | | | 5 |
| 37 | HYL9802 | SCREW | | | | | | | | | | 4 |
| 38 | NSS | | | | | | | | | | | |

CHANGE POINT

ARN INTRODUCTION

GROUP SQBC SHEET 3



**MISSILE STORAGE COMPARTMENT
- AIR DEFENCE - RBS 70 - CONTINUED**

PERENTIE LAND ROVER PARTS LIST

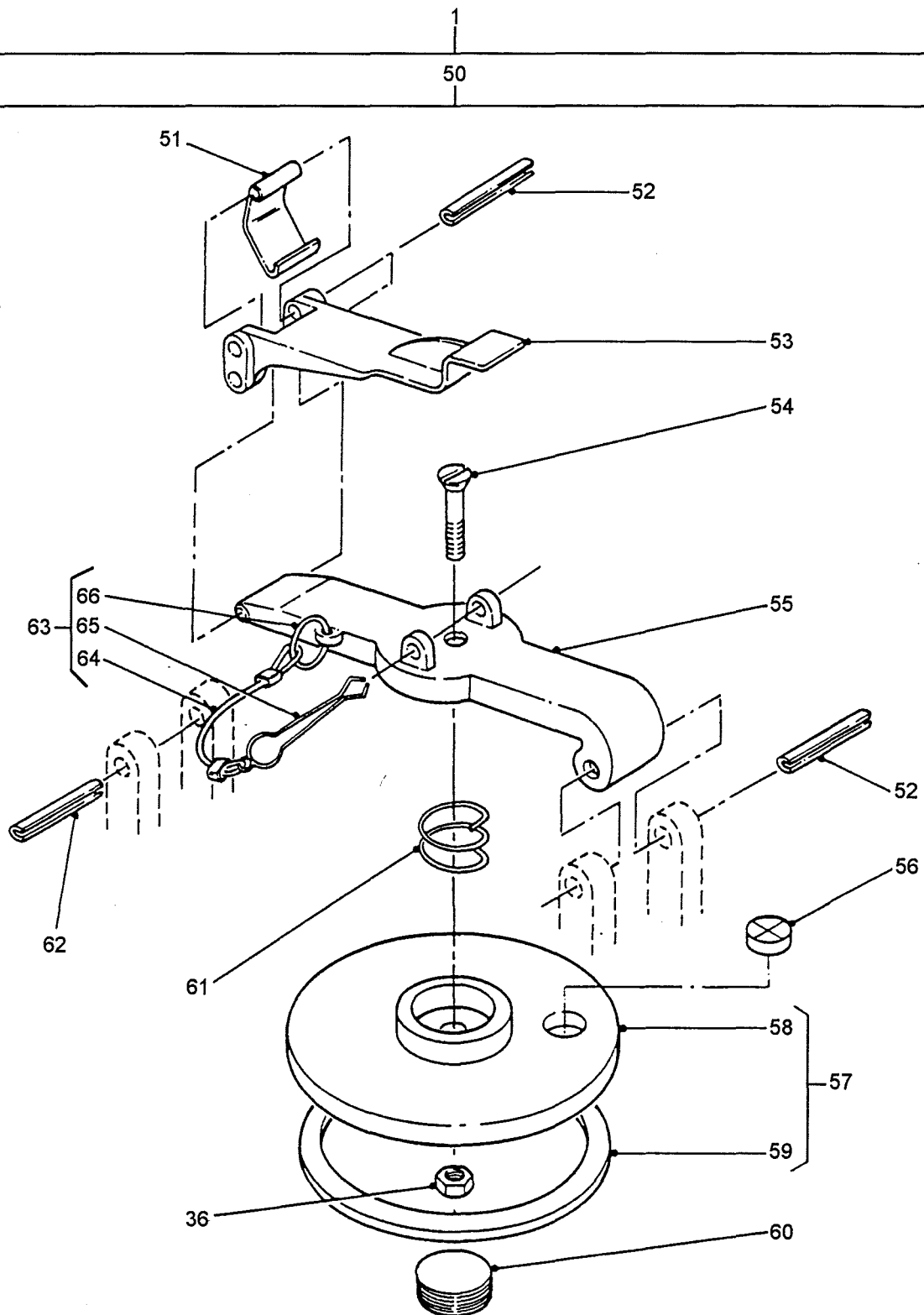
SQBC/1/3 MISSILE STORAGE COMPARTMENT - AIR DEFENCE - RBS 70 - CONTINUED

DERIVATIVE CODE

| <u>ITEM</u> | <u>PART NO.</u> | <u>DESCRIPTION</u> | <u>NSN</u> | <u>2185</u> | <u>2186</u> | <u>2208</u> | <u>2209</u> | <u>2210</u> | <u>2211</u> | <u>2212</u> | <u>2219</u> | <u>CP</u> |
|-------------|-----------------|--------------------|------------------|-------------|-------------|-------------|-------------|-------------|-------------|-------------|-------------|-----------|
| 39 | HYL9705 | BRACKET-LH/RH | | | | | | | | | | 2 |
| 40 | HYL9706 | BRACKET-TOP | | | | | | | | | | 3 |
| 41 | HYL9707 | BRACKET-CENTRE | | | | | | | | | | 6 |
| 42 | HYL9708 | BRACKET-TOP-RH | | | | | | | | | | 1 |
| 43 | HYL9709 | BRACKET-SIDE-RH | | | | | | | | | | 2 |
| 44 | NY606041L | NUT-NYLOC | 5310-99-943-4299 | | | | | | | | | 38 |
| 45 | WA110061L | WASHER-PLAIN | 5310-99-122-6476 | | | | | | | | | 38 |
| 46 | BH606201 | BOLT | | | | | | | | | | 38 |
| 47 | HYL9710 | BRACKET-LOWER | | | | | | | | | | 3 |
| 48 | HYL9711 | BRACKET-LOWER-LH | | | | | | | | | | 1 |
| 49 | HYL9712 | BRACKET-SIDE-LH | | | | | | | | | | 2 |

CHANGE POINT

ARN INTRODUCTION

GROUP SQBC SHEET 4

**MISSILE STORAGE COMPARTMENT
- AIR DEFENCE - RBS 70 - CONTINUED**

PERENTIE LAND ROVER PARTS LIST

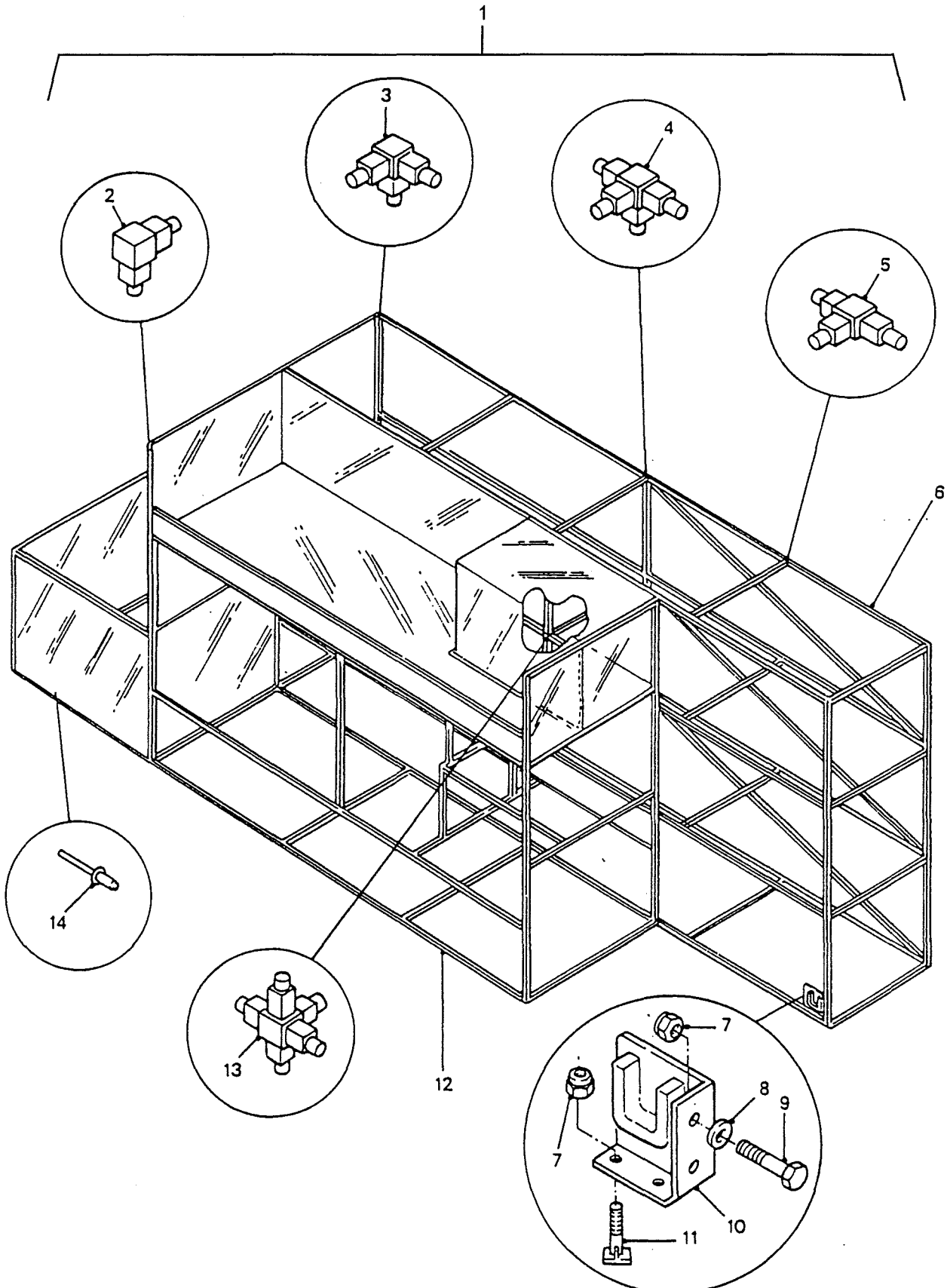
SQBC/1/4 MISSILE STORAGE COMPARTMENT - AIR DEFENCE - RBS 70 - CONTINUED
DERIVATIVE CODE

| <u>ITEM</u> | <u>PART NO.</u> | <u>DESCRIPTION</u> | <u>NSN</u> | <u>2185</u> | <u>2186</u> | <u>2208</u> | <u>2209</u> | <u>2210</u> | <u>2211</u> | <u>2212</u> | <u>2219</u> | <u>CP</u> |
|-------------|-----------------|--------------------|------------------|-------------|-------------|-------------|-------------|-------------|-------------|-------------|-------------|-----------|
| 50 | HYL9713 | HATCH ASSY | | | | | | | | | | 12 |
| 51 | HYL9714 | CATCH-HATCH | | | | | | | | | | 1 |
| 52 | HYL9715 | PIN-ROLL | | | | | | | | | | 3 |
| 53 | HYL9716 | CLAMP-TOGGLE | | | | | | | | | | 1 |
| 54 | HYL9717 | SCREW | | | | | | | | | | 1 |
| 55 | HYL9718 | BRIDGE-BAR | | | | | | | | | | 1 |
| 56 | HYL9719 | INDICATOR-HUMIDITY | 6685-25-133-4639 | | | | | | | | | 1 |
| 57 | HYL9720 | HATCH & SEAL ASSY | | | | | | | | | | 1 |
| 58 | NSS | | | | | | | | | | | |
| 59 | HYL9721 | SEAL-HATCH | | | | | | | | | | 1 |
| 60 | HYL9722 | PLUG | | | | | | | | | | 1 |
| 61 | HYL9723 | SPRING-HATCH | | | | | | | | | | 1 |
| 62 | HYL9724 | PIN-ROLL | | | | | | | | | | 1 |
| 63 | HYL9725 | PIN-SAFETY | | | | | | | | | | 1 |
| 64 | NSS | | | | | | | | | | | |
| 65 | NSS | | | | | | | | | | | |
| 66 | NSS | | | | | | | | | | | |

CHANGE POINT

ARN INTRODUCTION

GROUP SQBD SHEET 1



**RH STORAGE COMPARTMENT
- AIR DEFENCE - RAPIER**

PERENTIE LAND ROVER PARTS LIST

SQBD/1/1 RH STORAGE COMPARTMENT - AIR DEFENCE - RAPIER

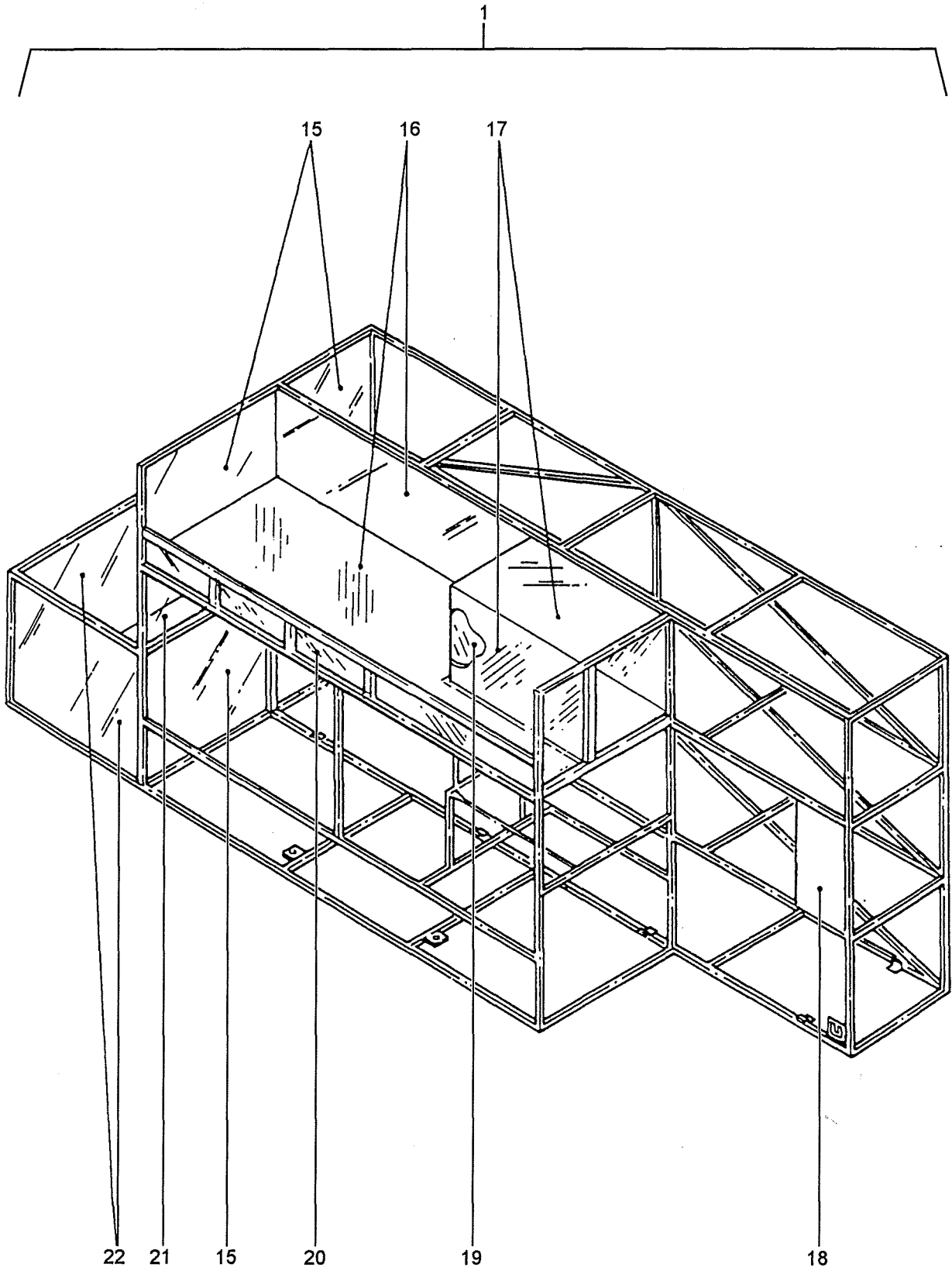
DERIVATIVE CODE

| <u>ITEM</u> | <u>PART NO.</u> | <u>DESCRIPTION</u> | <u>NSN</u> | <u>2185</u> | <u>2186</u> | <u>2208</u> | <u>2209</u> | <u>2210</u> | <u>2211</u> | <u>2212</u> | <u>2219</u> | <u>CP</u> |
|-------------|-----------------|--|------------------|-------------|-------------|-------------|-------------|-------------|-------------|-------------|-------------|-----------|
| 1 | HYL9856 | COMPARTMENT ASSY-STORAGE-LH (INCL ITEMS 2 - 100) | | | | | | | | | | 1 |
| 2 | NSS | | | | | | | | | | | |
| 3 | NSS | | | | | | | | | | | |
| 4 | NSS | | | | | | | | | | | |
| 5 | NSS | | | | | | | | | | | |
| 6 | NSS | | | | | | | | | | | |
| 7 | NY108041L | NUT-NYLOC | 5310-99-122-5496 | | | | | | | | | 42 |
| 8 | VA108051L | WASHER-PLAIN | 5310-99-122-6475 | | | | | | | | | 2 |
| 9 | FB108081 | BOLT | 5306-99-122-5254 | | | | | | | | | 4 |
| 10 | HYL9857 | SUPPORT ASSY | | | | | | | | | | 1 |
| 11 | HYL9646 | BOLT 'T' | 5306-66-128-5972 | | | | | | | | | 40 |
| 12 | NSS | | | | | | | | | | | |
| 13 | NSS | | | | | | | | | | | |
| 14 | RU612373L | POP RIVET | 5320-99-120-9002 | | | | | | | | | 5 |

CHANGE POINT

ARN INTRODUCTION

GROUP SQBD SHEET 2



**RH STORAGE COMPARTMENT
- AIR DEFENCE - RAPIER - CONTINUED**

PERENTIE LAND ROVER PARTS LIST

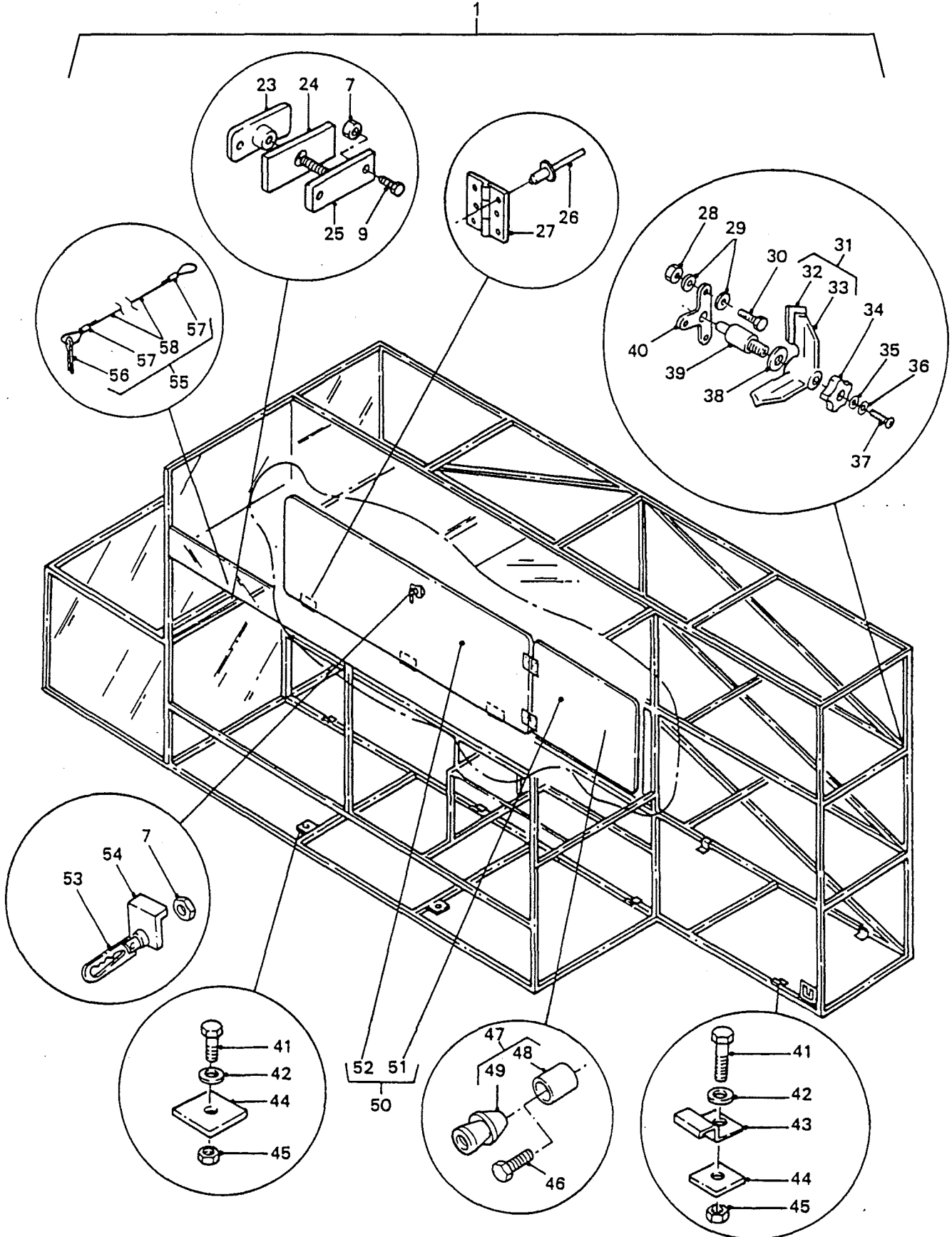
SQBD/1/2 RH STORAGE COMPARTMENT - AIR DEFENCE - RAPIER - CONTINUED
DERIVATIVE CODE

| <u>ITEM</u> | <u>PART NO.</u> | <u>DESCRIPTION</u> | <u>NSN</u> | <u>2185</u> | <u>2186</u> | <u>2208</u> | <u>2209</u> | <u>2210</u> | <u>2211</u> | <u>2212</u> | <u>2219</u> | <u>CP</u> |
|-------------|-----------------|--------------------|------------|-------------|-------------|-------------|-------------|-------------|-------------|-------------|-------------|-----------|
| 15 | NSS | | | | | | | | | | | |
| 16 | NSS | | | | | | | | | | | |
| 17 | NSS | | | | | | | | | | | |
| 18 | NSS | | | | | | | | | | | |
| 19 | NSS | | | | | | | | | | | |
| 20 | NSS | | | | | | | | | | | |
| 21 | NSS | | | | | | | | | | | |
| 22 | NSS | | | | | | | | | | | |

CHANGE POINT

ARN INTRODUCTION

GROUP SQBD SHEET 3



**RH STORAGE COMPARTMENT
- AIR DEFENCE - RAPIER - CONTINUED**

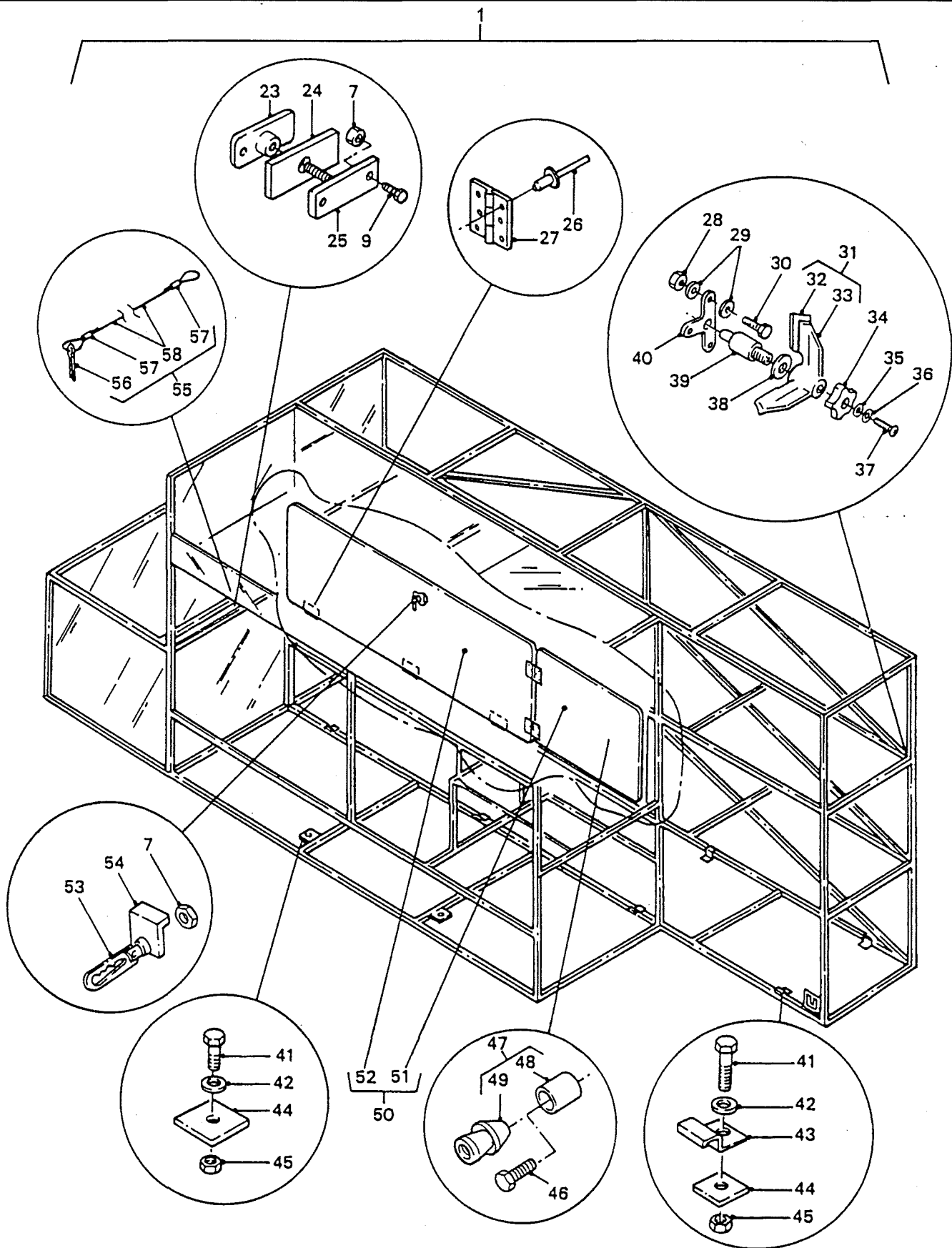
PERENTIE LAND ROVER PARTS LIST

SQBD/1/3 RH STORAGE COMPARTMENT - AIR DEFENCE - RAPIER - CONTINUED

DERIVATIVE CODE

| <u>ITEM</u> | <u>PART NO.</u> | <u>DESCRIPTION</u> | <u>NSN</u> | <u>2185</u> | <u>2186</u> | <u>2208</u> | <u>2209</u> | <u>2210</u> | <u>2211</u> | <u>2212</u> | <u>2219</u> | <u>CP</u> |
|-------------|-----------------|------------------------------------|------------------|-------------|-------------|-------------|-------------|-------------|-------------|-------------|-------------|-----------|
| 23 | HYG3748 | CLAMP-SPARE WHEEL MOUNTING | 2590-66-128-6309 | | | | | | | | | 1 |
| 24 | HYG3733 | PLATE-SPARE WHEEL MOUNTING | | | | | | | | | | 1 |
| 25 | HYL9858 | BASE-SPARE WHEEL MOUNTING | | | | | | | | | | 1 |
| 26 | HYL9696 | RIVET | | | | | | | | | | 18 |
| 27 | HYL9859 | HINGE-FALSE FLOOR DOORS | | | | | | | | | | 2 |
| 27 | HYL9860 | HINGE-FALSE FLOOR TO MAINFRAME | | | | | | | | | | 3 |
| 28 | NY106041L | NUT-NYLOC | 5310-99-138-8423 | | | | | | | | | 9 |
| 29 | WA106001L | WASHER-PLAIN | | | | | | | | | | 18 |
| 30 | FB106081 | BOLT | 5306-99-122-5246 | | | | | | | | | 9 |
| 31 | HYG4269 | RETAINER ASSY (INCL ITEMS 32 & 33) | 1450-66-128-5978 | | | | | | | | | 3 |
| 32 | HYG4267 | PAD-RUBBER | 1450-99-638-4940 | | | | | | | | | 6 |
| 33 | HYG4250 | RETAINER | | | | | | | | | | 3 |
| 34 | HYG4254 | KNOB-RETAINER | 5355-66-128-5979 | | | | | | | | | 3 |
| 35 | WJ105001L | WASHER-PLAIN | 5310-66-128-4726 | | | | | | | | | 3 |
| 36 | YL105001L | WASHER-LOCK | 5310-99-977-1102 | | | | | | | | | 3 |
| 37 | SE910161L | SCREW | | | | | | | | | | 3 |
| 38 | MYH3535 | WASHER-DISHED | | | | | | | | | | 12 |
| 39 | HYG4257 | STUD-RETAINER | 5307-99-638-4381 | | | | | | | | | 3 |
| 40 | HYL9861 | PLATE-TEE | | | | | | | | | | 3 |
| 41 | HYL9862 | BOLT | | | | | | | | | | 10 |
| 42 | HYL9863 | WASHER-PLAIN | | | | | | | | | | 10 |
| 43 | HYL9864 | CLAMP | | | | | | | | | | 8 |
| | HYL9699 | BRACKET-MOUNTING-RH | | | | | | | | | | 2 |
| | HYL9841 | PLATE-REINFORCEMENT 100MM X 70MM | | | | | | | | | | 5 |

GROUP SQBD SHEET 3



**RH STORAGE COMPARTMENT
- AIR DEFENCE - RAPIER - CONTINUED**

PERENTIE LAND ROVER PARTS LIST

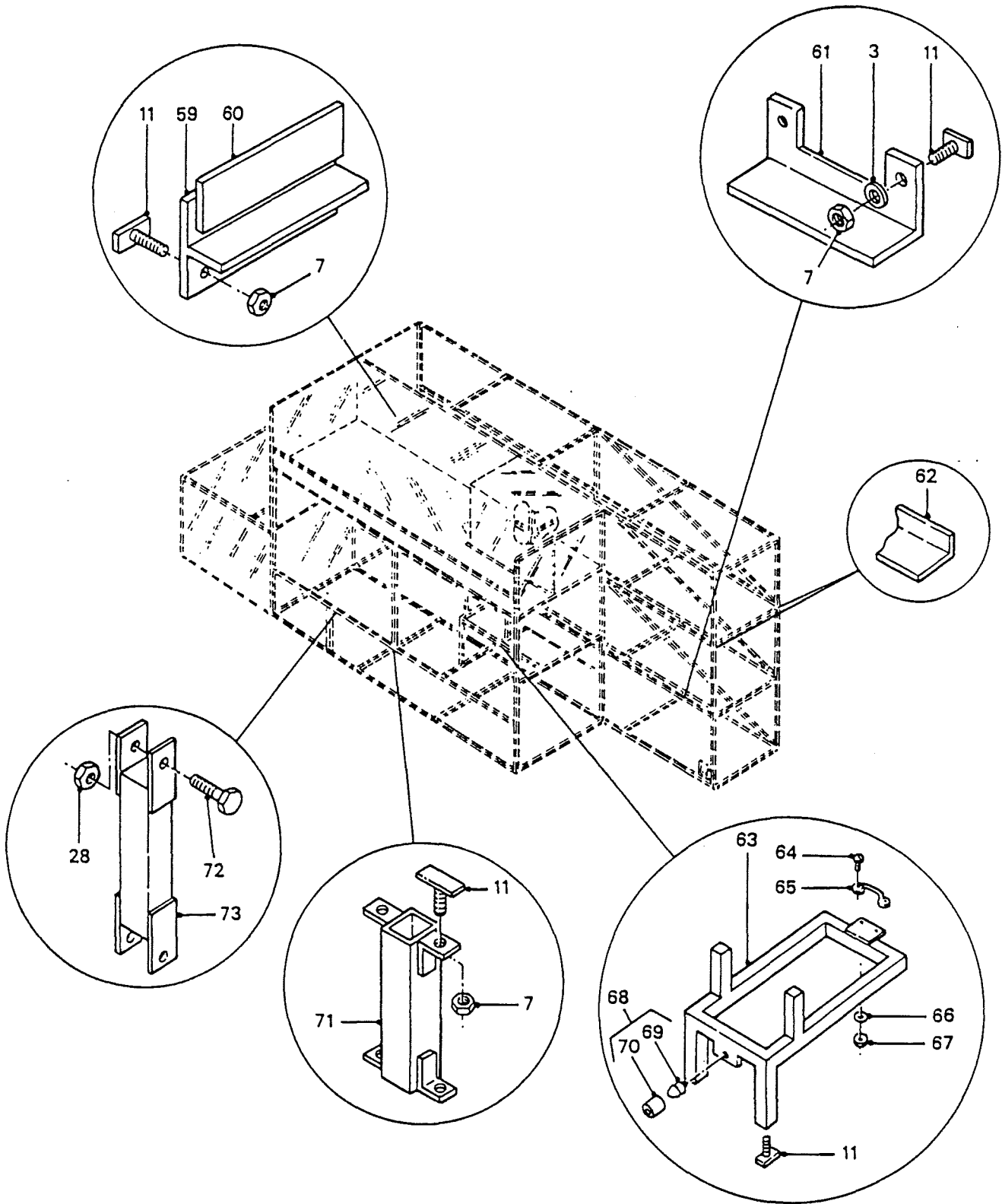
SQBD/1/3 RH STORAGE COMPARTMENT - AIR DEFENCE - RAPIER - CONTINUED
DERIVATIVE CODE

| <u>ITEM</u> | <u>PART NO.</u> | <u>DESCRIPTION</u> | <u>NSN</u> | <u>2185</u> | <u>2186</u> | <u>2208</u> | <u>2209</u> | <u>2210</u> | <u>2211</u> | <u>2212</u> | <u>2219</u> | <u>CP</u> |
|-------------|-----------------|--------------------------------------|------------------|-------------|-------------|-------------|-------------|-------------|-------------|-------------|-------------|-----------|
| 44 | HYL9843 | PLATE-REINFORCEMENT 100MM X 100MM | | | | | | | | | | 5 |
| 45 | HYL9865 | NUT-NYLOC | | | | | | | | | | 10 |
| 46 | SH106251L | SCREW | 5305-99-122-5362 | | | | | | | | | 1 |
| 47 | HYL9866 | CATCH (INCL ITEMS 48 & 49) | 5340-66-128-5980 | | | | | | | | | 1 |
| 48 | NSS | | | | | | | | | | | |
| 49 | NSS | | | | | | | | | | | |
| 50 | HYL9867 | FLOOR ASSY | | | | | | | | | | 1 |
| 51 | NSS | | | | | | | | | | | |
| 52 | NSS | | | | | | | | | | | |
| 53 | HYL9868 | FASTENER | | | | | | | | | | 1 |
| 54 | HYL9869 | BRACKET | | | | | | | | | | 1 |
| 55 | HYG3752 | KEEP WIRE | | | | | | | | | | 1 |
| 56 | PS106251L | SPLIT PIN | 5315-66-097-0335 | | | | | | | | | 1 |
| 57 | NSS | | | | | | | | | | | |
| 58 | NSS | | | | | | | | | | | |

CHANGE POINT

ARN INTRODUCTION

GROUP SQBD SHEET 4



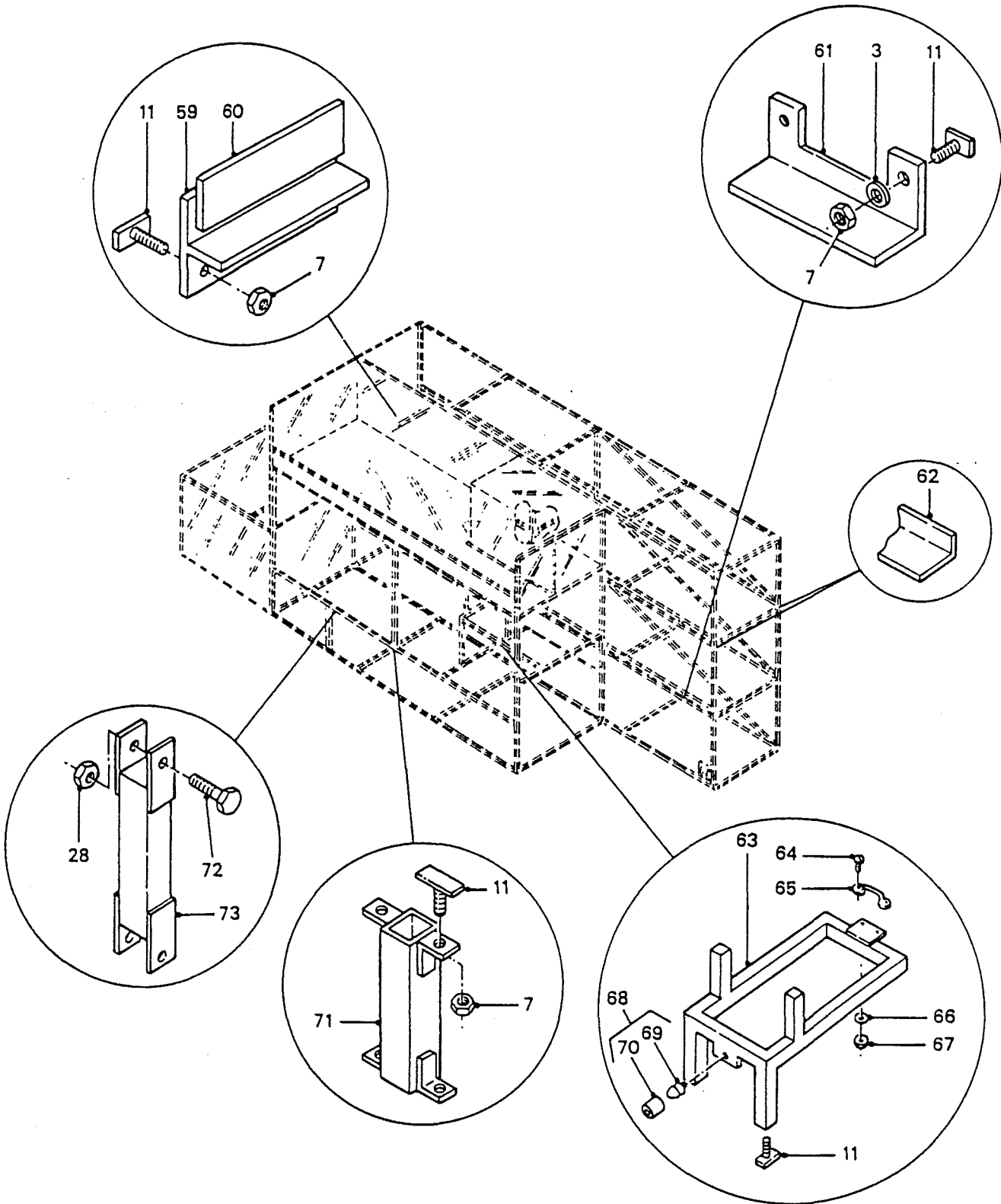
**RH STORAGE COMPARTMENT
- AIR DEFENCE - RAPIER - CONTINUED**

PERENTIE LAND ROVER PARTS LIST

SQBD/1/4 RH STORAGE COMPARTMENT - AIR DEFENCE - RAPIER - CONTINUED
DERIVATIVE CODE

| <u>ITEM</u> | <u>PART NO.</u> | <u>DESCRIPTION</u> | <u>NSN</u> | <u>2185</u> | <u>2186</u> | <u>2208</u> | <u>2209</u> | <u>2210</u> | <u>2211</u> | <u>2212</u> | <u>2219</u> | <u>CP</u> |
|-------------|-----------------|--------------------|------------|-------------|-------------|-------------|-------------|-------------|-------------|-------------|-------------|-----------|
| 59 | HYL9870 | RAIL-STOP | | | | | | | | | 3 | |
| 60 | HYL9871 | STRIP-RUBBER | | | | | | | | | 3 | |
| 61 | HYL9872 | RAIL-NO 1 | | | | | | | | | 1 | |
| | HYL9873 | RAIL-NO 2 | | | | | | | | | 1 | |
| | HYL9874 | RAIL-NO 3 | | | | | | | | | 1 | |
| | HYL9875 | RAIL-NO 4 | | | | | | | | | 1 | |
| | HYL9876 | RAIL-NO 5 | | | | | | | | | 1 | |
| | HYL9877 | RAIL-NO 5A | | | | | | | | | 1 | |
| | HYL9878 | RAIL-NO 6 | | | | | | | | | 1 | |
| | HYL9879 | RAIL-NO 7 | | | | | | | | | 1 | |
| | HYL9880 | RAIL-NO 8 | | | | | | | | | 1 | |
| | HYL9881 | RAIL-NO 9 | | | | | | | | | 1 | |
| | HYL9882 | RAIL-NO 10 | | | | | | | | | 1 | |
| | HYL9883 | RAIL-NO 11 | | | | | | | | | 1 | |
| | HYL9884 | RAIL-NO 12 | | | | | | | | | 1 | |
| | HYL9885 | RAIL-NO 13 | | | | | | | | | 1 | |
| | HYL9886 | RAIL-NO 14 | | | | | | | | | 1 | |
| | HYL9887 | RAIL-NO 15 | | | | | | | | | 1 | |
| | HYL9888 | RAIL-NO 16 | | | | | | | | | 1 | |
| | HYL9889 | RAIL-NO 16A | | | | | | | | | 1 | |
| | HYL9890 | RAIL-NO 17 | | | | | | | | | 1 | |
| | HYL9891 | RAIL-NO 18 | | | | | | | | | 1 | |
| | HYL9892 | RAIL-NO 19 | | | | | | | | | 1 | |
| | HYL9893 | RAIL-NO 20 | | | | | | | | | 1 | |
| | HYL9894 | RAIL-NO 21 | | | | | | | | | 1 | |
| | HYL9895 | RAIL-NO 22 | | | | | | | | | 1 | |
| | HYL9896 | RAIL-NO 23 | | | | | | | | | 1 | |
| | HYL9897 | RAIL-NO 24 | | | | | | | | | 1 | |
| | HYL9898 | RAIL-NO 25 | | | | | | | | | 1 | |

GROUP SQBD SHEET 4



**RH STORAGE COMPARTMENT
- AIR DEFENCE - RAPIER - CONTINUED**

PERENTIE LAND ROVER PARTS LIST

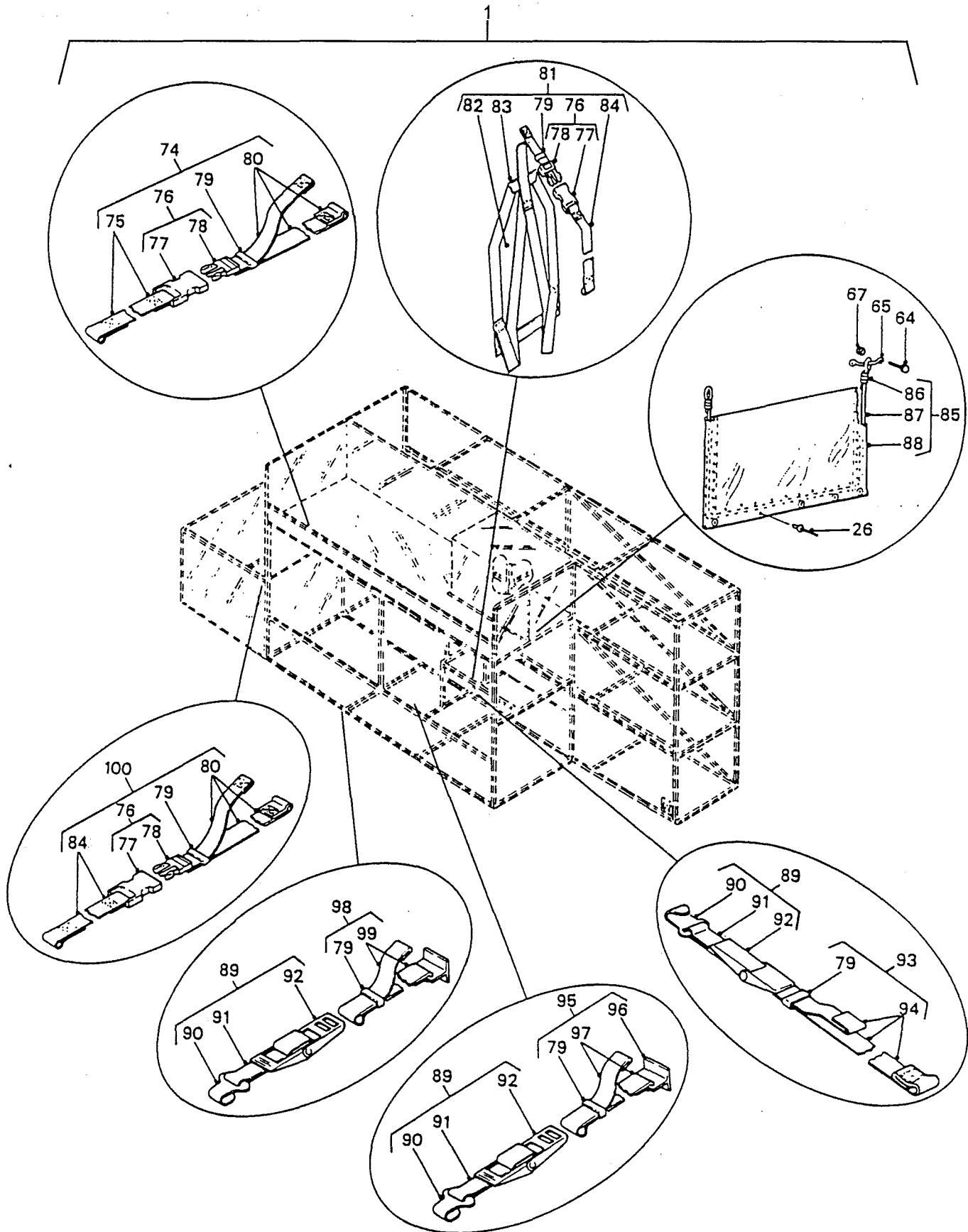
SQBD/1/4 RH STORAGE COMPARTMENT - AIR DEFENCE - RAPIER - CONTINUED
DERIVATIVE CODE

| <u>ITEM</u> | <u>PART NO.</u> | <u>DESCRIPTION</u> | <u>NSN</u> | <u>2185</u> | <u>2186</u> | <u>2208</u> | <u>2209</u> | <u>2210</u> | <u>2211</u> | <u>2212</u> | <u>2219</u> | <u>CP</u> |
|-------------|-----------------|---|------------------|-------------|-------------|-------------|-------------|-------------|-------------|-------------|-------------|-----------|
| 62 | NSS | | | | | | | | | | | |
| 63 | HYL9899 | RACK ASSY-CABLE DRUM-TRACKER VEHICLE | | | | | | | | | 1 | |
| 64 | SE105401 | SCREW | 5305-99-135-0435 | | | | | | | | 12 | |
| 65 | R395143 | STAPLE | 2540-99-824-6204 | | | | | | | | 12 | |
| 66 | WA105001L | WASHER-PLAIN | 5310-99-122-3032 | | | | | | | | 12 | |
| 67 | NY105041L | NUT-NYLOC | 5310-99-122-5494 | | | | | | | | 12 | |
| 68 | HYL9921 | CATCH ASSY | 5340-66-128-5981 | | | | | | | | 1 | |
| 69 | NSS | | | | | | | | | | | |
| 70 | NSS | | | | | | | | | | | |
| 71 | HYL9900 | BAR-SUPPORT | | | | | | | | | 1 | |
| 72 | BH106061L | BOLT | 5306-99-122-5245 | | | | | | | | 4 | |
| 73 | HYL9901 | BAR-SUPPORT | | | | | | | | | 1 | |

CHANGE POINT

ARN INTRODUCTION

GROUP SQBD SHEET 5



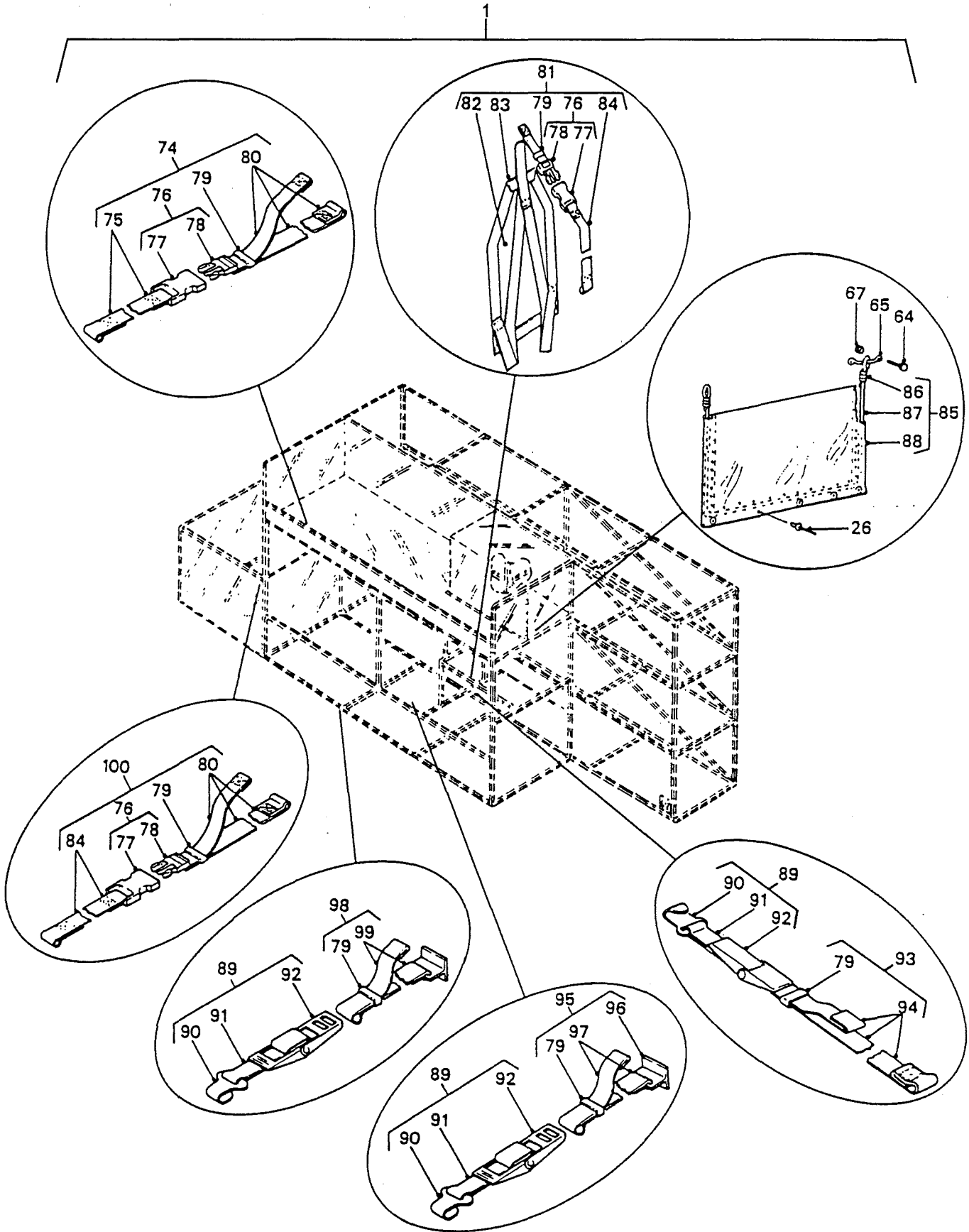
**RH STORAGE COMPARTMENT
- AIR DEFENCE - RAPIER - CONTINUED**

PERENTIE LAND ROVER PARTS LIST

SQBD/1/5 RH STORAGE COMPARTMENT - AIR DEFENCE - RAPIER - CONTINUED
 DERIVATIVE CODE

| ITEM | PART NO. | DESCRIPTION | NSN | 2185 | 2186 | 2208 | 2209 | 2210 | 2211 | 2212 | 2219 | CP |
|------|----------|--|------------------|------|------|------|------|------|------|------|------|----|
| 74 | HYL9903 | STRAP ASSY-LH UPPER STORAGE COMPARTMENT-1500MM LONG | | | | | | | | | | 1 |
| 74 | HYL9902 | STRAP ASSY-LH UPPER STORAGE COMPARTMENT-300MM LONG | | | | | | | | | | 2 |
| 75 | NSS | | | | | | | | | | | |
| 76 | NSS | | | | | | | | | | | |
| 77 | NSS | | | | | | | | | | | |
| 78 | NSS | | | | | | | | | | | |
| 79 | NSS | | | | | | | | | | | |
| 80 | NSS | | | | | | | | | | | |
| 81 | HYL9904 | STRAP ASSY-EQUIPMENT RAILS & CABLE DRUM RACK | | | | | | | | | | 2 |
| 82 | NSS | | | | | | | | | | | |
| 83 | NSS | | | | | | | | | | | |
| 84 | NSS | | | | | | | | | | | |
| 85 | HYL9905 | FLAP ASSY | | | | | | | | | | 1 |
| 86 | NSS | | | | | | | | | | | |
| 87 | NSS | | | | | | | | | | | |
| 88 | NSS | | | | | | | | | | | |
| 89 | HYL9847 | STRAP ASSY | 5340-66-128-5973 | | | | | | | | | 1 |
| 90 | NSS | | | | | | | | | | | |
| 91 | NSS | | | | | | | | | | | |
| 92 | NSS | | | | | | | | | | | |
| 93 | HYL9846 | STRAP ASSY-CABLE REEL RACK | | | | | | | | | | 1 |
| 94 | NSS | | | | | | | | | | | |
| 95 | HYL9907 | STRAP ASSY-LH MIDDLE STORAGE COMPARTMENT | | | | | | | | | | 4 |

GROUP SQBD SHEET 5



**RH STORAGE COMPARTMENT
- AIR DEFENCE - RAPIER - CONTINUED**

PERENTIE LAND ROVER PARTS LIST

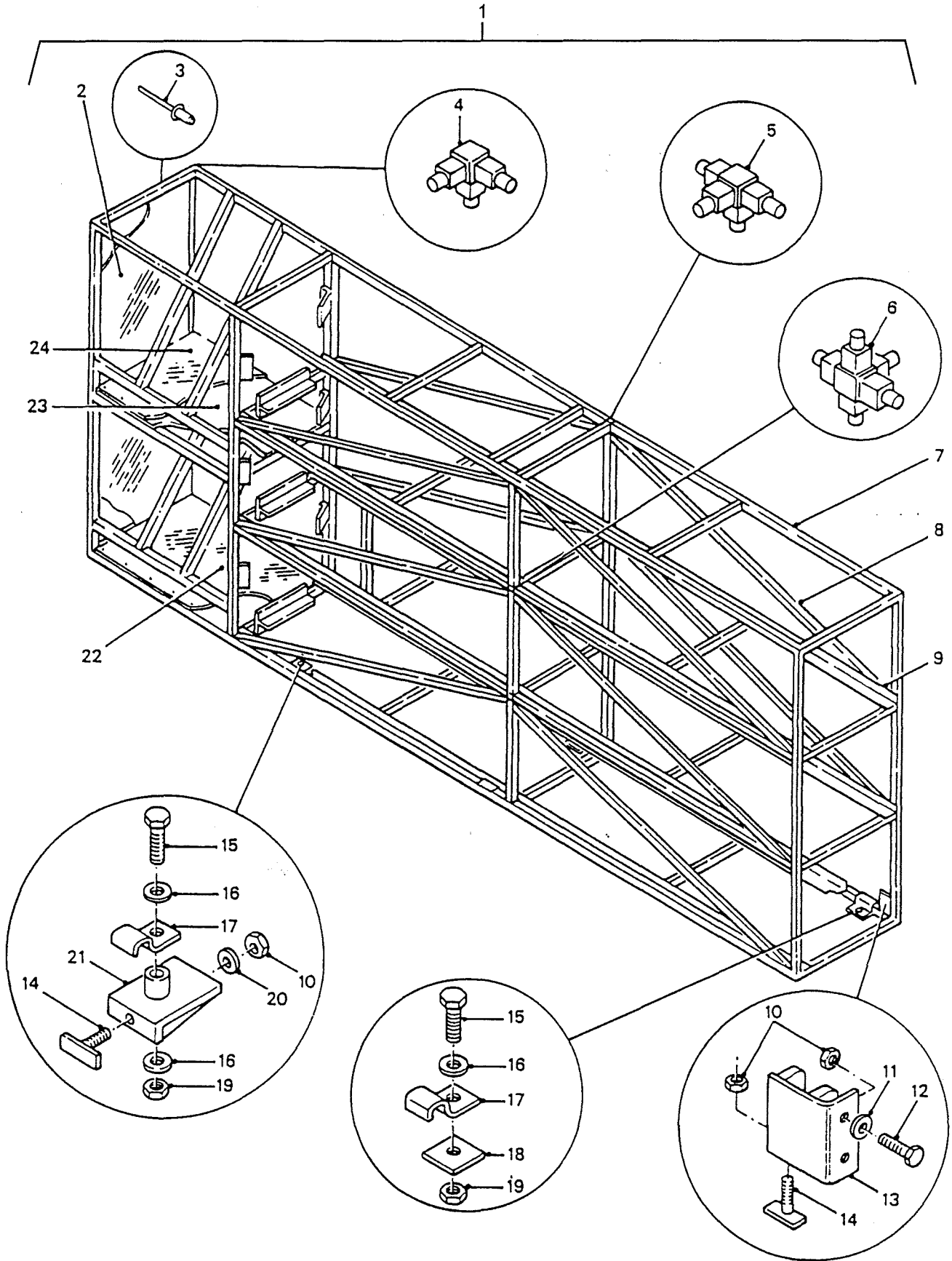
SQBD/1/5 RH STORAGE COMPARTMENT - AIR DEFENCE - RAPIER - CONTINUED
DERIVATIVE CODE

| <u>ITEM</u> | <u>PART NO.</u> | <u>DESCRIPTION</u> | <u>NSN</u> | <u>2185</u> | <u>2186</u> | <u>2208</u> | <u>2209</u> | <u>2210</u> | <u>2211</u> | <u>2212</u> | <u>2219</u> | <u>CP</u> |
|-------------|-----------------|-------------------------------------|------------|-------------|-------------|-------------|-------------|-------------|-------------|-------------|-------------|-----------|
| 96 | NSS | | | | | | | | | | | |
| 97 | NSS | | | | | | | | | | | |
| 98 | HYL9908 | STRAP ASSY-LH MIDDLE COMPARTMENT | | | | | | | | | 4 | |
| 99 | NSS | | | | | | | | | | | |
| 100 | HYL9909 | STRAP ASSY-LH MIDDLE COMPARTMENT | | | | | | | | | 1 | |

CHANGE POINT

ARN INTRODUCTION

GROUP SQBE SHEET 1



**LH STORAGE COMPARTMENT
- AIR DEFENCE - RAPIER**

PERENTIE LAND ROVER PARTS LIST

SQBE/1/1 LH STORAGE COMPARTMENT - AIR DEFENCE - RAPIER

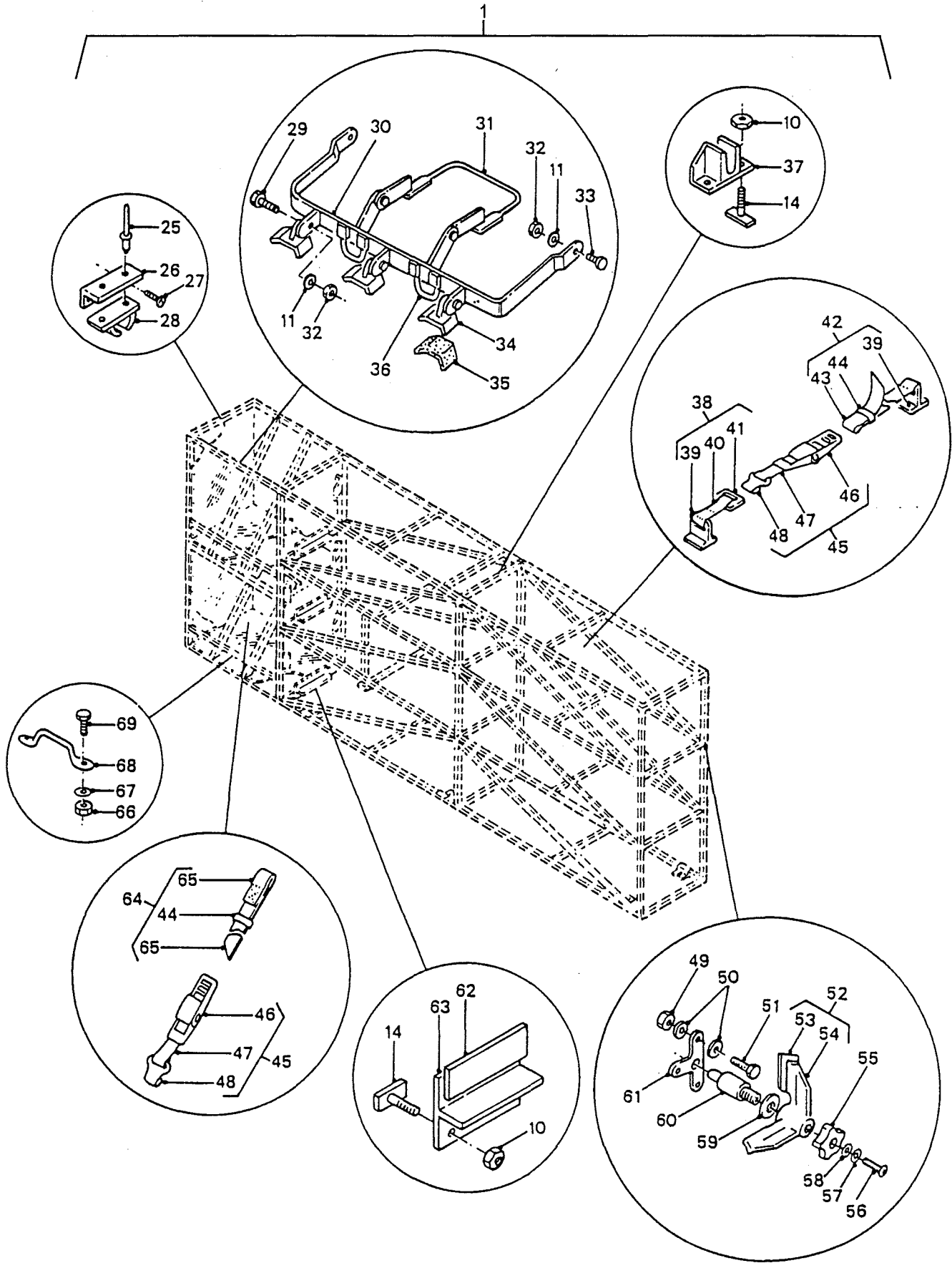
DERIVATIVE CODE

| <u>ITEM</u> | <u>PART NO.</u> | <u>DESCRIPTION</u> | <u>NSN</u> | <u>2185</u> | <u>2186</u> | <u>2208</u> | <u>2209</u> | <u>2210</u> | <u>2211</u> | <u>2212</u> | <u>2219</u> | <u>CP</u> |
|-------------|-----------------|--|------------------|-------------|-------------|-------------|-------------|-------------|-------------|-------------|-------------|-----------|
| 1 | HYL9910 | COMPARTMENT ASSY-STORAGE-LH (INCLUDES ITEMS 22-69) | | | | | | | | | | 1 |
| 2 | NSS | | | | | | | | | | | |
| 3 | RU612373L | POP RIVET | 5320-99-120-9002 | | | | | | | | | 54 |
| 4 | NSS | | | | | | | | | | | |
| 5 | NSS | | | | | | | | | | | |
| 6 | NSS | | | | | | | | | | | |
| 7 | NSS | | | | | | | | | | | |
| 8 | NSS | | | | | | | | | | | |
| 9 | NSS | | | | | | | | | | | |
| 10 | NY108041L | NUT-NYLOC | 5310-99-122-5496 | | | | | | | | | 6 |
| 11 | WA108051L | WASHER-PLAIN | 5310-99-122-6475 | | | | | | | | | 1 |
| 12 | FB108081 | BOLT | 5306-99-122-5254 | | | | | | | | | 2 |
| 13 | HYL9911 | SUPPORT ASSY-CABLE DRUM | | | | | | | | | | 1 |
| 14 | HYL9646 | BOLT "T" | 5306-66-128-5972 | | | | | | | | | 5 |
| 15 | HYL9862 | BOLT | | | | | | | | | | 6 |
| 16 | HYL9863 | WASHER-PLAIN | | | | | | | | | | 8 |
| 17 | HYL9864 | CLAMP | | | | | | | | | | 6 |
| 18 | HYL9843 | PLATE-REINFORCEMENT | | | | | | | | | | 4 |
| 19 | HYL9865 | NUT-NYLOC | | | | | | | | | | 6 |
| 20 | WA110001L | WASHER-PLAIN | | | | | | | | | | 2 |
| 21 | HYL9698 | BRACKET-LH | | | | | | | | | | 4 |
| 22 | HYL9912 | SHEET-RUBBER | | | | | | | | | | 1 |
| 23 | NSS | | | | | | | | | | | |
| 24 | HYL9913 | SHEET-RUBBER | | | | | | | | | | 1 |

CHANGE POINT

ARN INTRODUCTION

GROUP SQBE SHEET 2



**LH STORAGE COMPARTMENT
- AIR DEFENCE - RAPIER - CONTINUED**

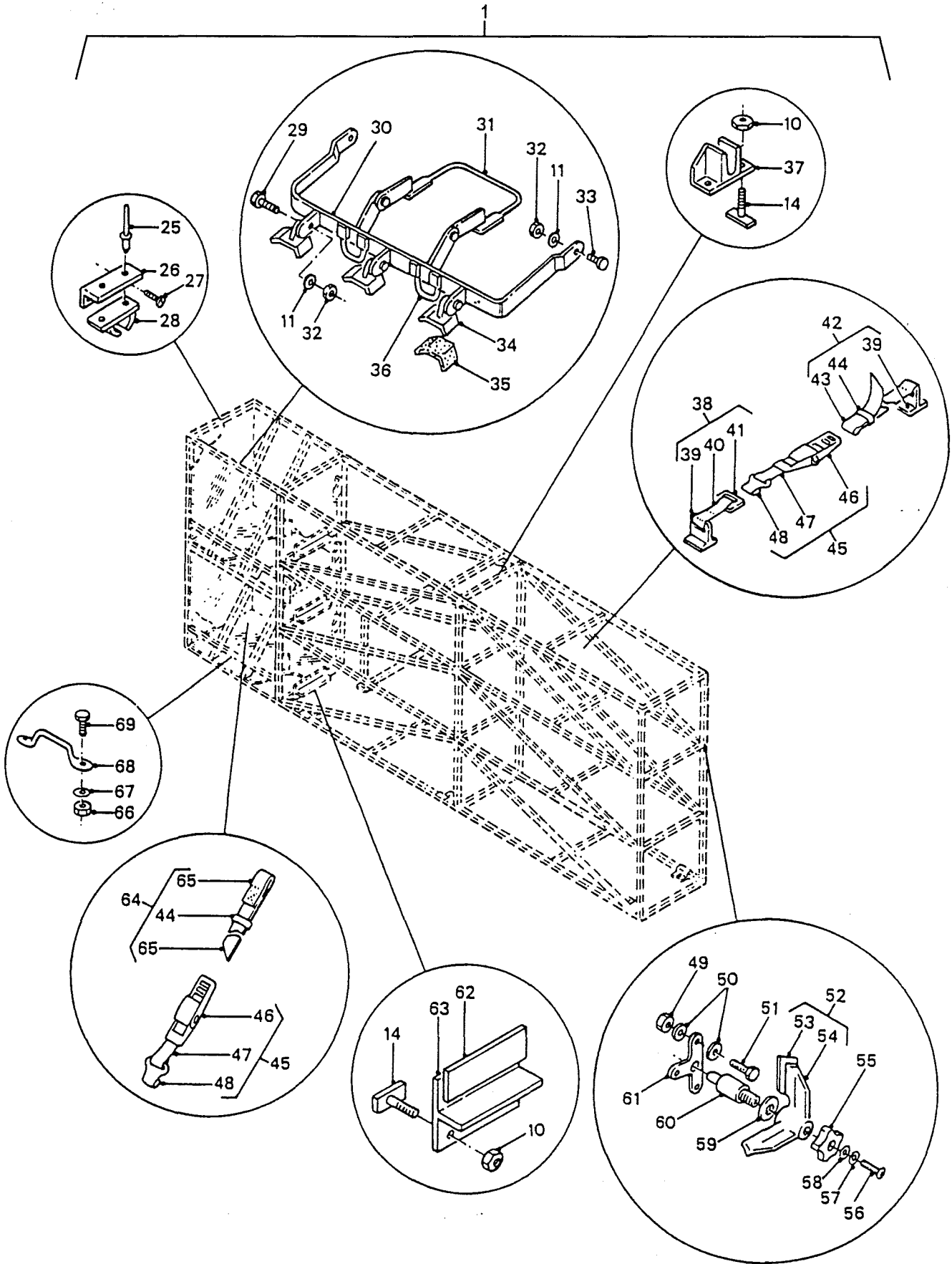
PERENTIE LAND ROVER PARTS LIST

SQBE/1/2 LH STORAGE COMPARTMENT - AIR DEFENCE - RAPIER - CONTINUED

DERIVATIVE CODE

| <u>ITEM</u> | <u>PART NO.</u> | <u>DESCRIPTION</u> | <u>NSN</u> | <u>2185</u> | <u>2186</u> | <u>2208</u> | <u>2209</u> | <u>2210</u> | <u>2211</u> | <u>2212</u> | <u>2219</u> | <u>CP</u> |
|-------------|-----------------|-----------------------------------|------------------|-------------|-------------|-------------|-------------|-------------|-------------|-------------|-------------|-----------|
| 10 | NY108041L | NUT-NYLOC | 5310-99-122-5496 | | | | | | | | | 12 |
| 11 | WA108051L | WASHER-PLAIN | 5310-99-122-6475 | | | | | | | | | 39 |
| 14 | HYL9646 | BOLT "T" | 5306-66-128-5972 | | | | | | | | | 13 |
| 25 | RU612183 | POP RIVET | 5320-66-128-4938 | | | | | | | | | 4 |
| 26 | HYL9835 | BRACKET | | | | | | | | | | 2 |
| 27 | HYL8931 | MONOBOLT | 5306-66-128-5498 | | | | | | | | | 4 |
| 28 | HYL9836 | CLIP-JERRYCAN | 5340-66-128-5971 | | | | | | | | | 2 |
| 29 | FS108251 | SCREW | 5305-99-122-5367 | | | | | | | | | 10 |
| 30 | HYL9833 | FRAME-CLAMP | | | | | | | | | | 2 |
| 31 | NSS | | | | | | | | | | | |
| 32 | NY108041L | NUT-NYLOC | 5310-99-122-5496 | | | | | | | | | 4 |
| 33 | SH108451 | SCREW | | | | | | | | | | 4 |
| 34 | NSS | | | | | | | | | | | |
| 35 | HYL9854 | PAD-RUBBER | | | | | | | | | | 6 |
| 36 | R345699 | HOOK-ROPE | 2510-99-820-7552 | | | | | | | | | 4 |
| | SE105161L | SCREW-HOOK | 5305-99-135-0430 | | | | | | | | | 8 |
| | WA105001L | WASHER-PLAIN-HOOK | 5310-99-122-3032 | | | | | | | | | 8 |
| | NY105141 | NUT-HOOK | | | | | | | | | | 8 |
| 37 | HYL9914 | BRACKET-POLE-170MM LONG | | | | | | | | | | 1 |
| | HYL9915 | BRACKET-POLE-270MM LONG | | | | | | | | | | 1 |
| | HYL9917 | BRACKET-POLE-370MM LONG | | | | | | | | | | 1 |
| 38 | HYL9918 | STRAP ASSY (INCL. ITEMS 39-41) | | | | | | | | | | 2 |
| 39 | NSS | | | | | | | | | | | |
| 40 | NSS | | | | | | | | | | | |
| 41 | NSS | | | | | | | | | | | |
| 42 | HYL9919 | STRAP ASSY-POLE STORAGE | | | | | | | | | | 2 |

GROUP SQBE SHEET 2



**LH STORAGE COMPARTMENT
- AIR DEFENCE - RAPIER - CONTINUED**

PERENTIE LAND ROVER PARTS LIST

SQBE/1/2 LH STORAGE COMPARTMENT - AIR DEFENCE - RAPIER - CONTINUED

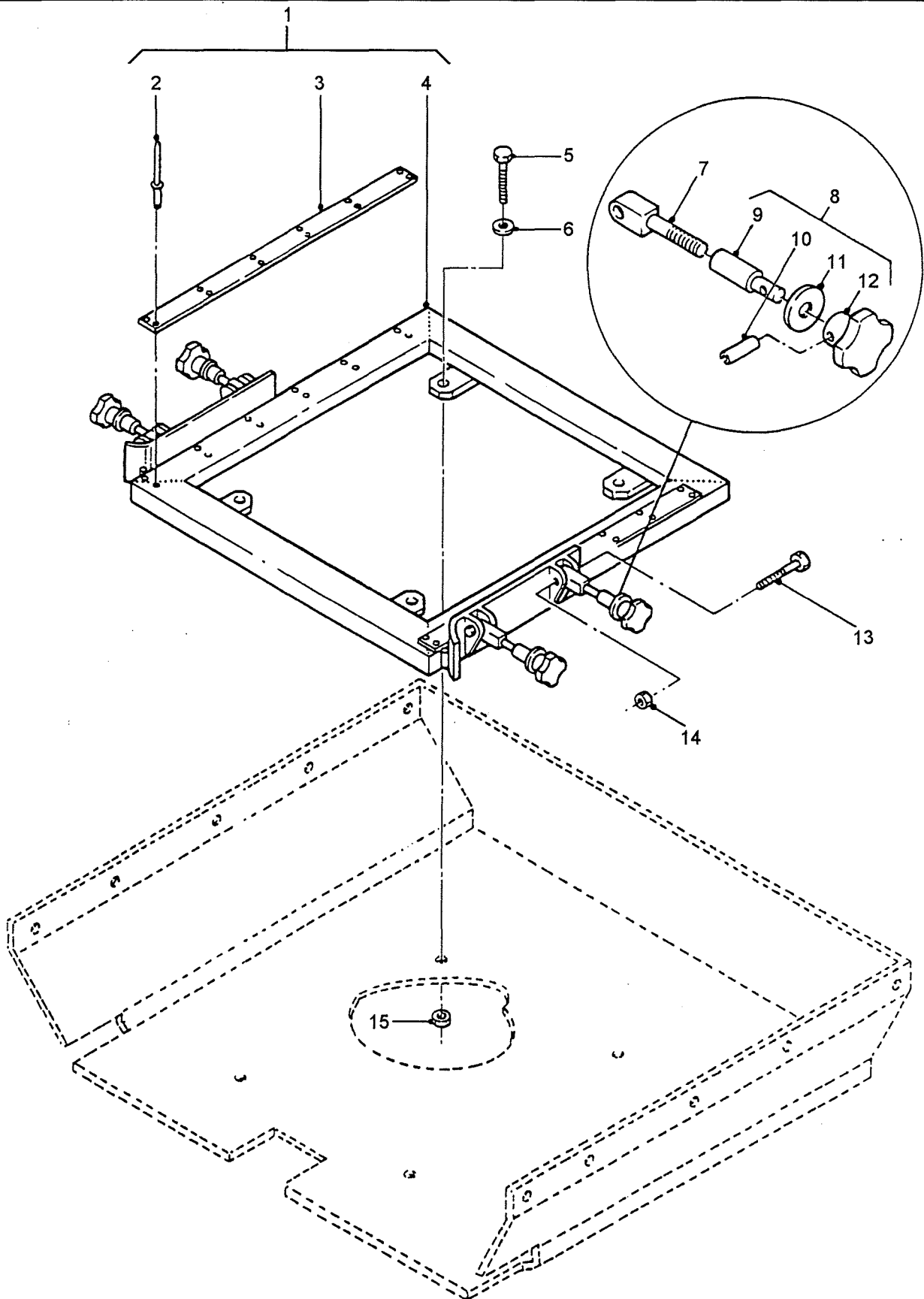
DERIVATIVE CODE

| <u>ITEM</u> | <u>PART NO.</u> | <u>DESCRIPTION</u> | <u>NSN</u> | <u>2185</u> | <u>2186</u> | <u>2208</u> | <u>2209</u> | <u>2210</u> | <u>2211</u> | <u>2212</u> | <u>2219</u> | <u>CP</u> |
|-------------|-----------------|---------------------------------------|------------------|-------------|-------------|-------------|-------------|-------------|-------------|-------------|-------------|-----------|
| 43 | NSS | | | | | | | | | | | |
| 44 | NSS | | | | | | | | | | | |
| 45 | HYL9847 | STRAP ASSY | 5340-66-128-5973 | | | | | | | | | 4 |
| 46 | NSS | | | | | | | | | | | |
| 47 | NSS | | | | | | | | | | | |
| 48 | NSS | | | | | | | | | | | |
| 49 | NY106041L | NUT-NYLOC | 5310-99-138-8423 | | | | | | | | | 9 |
| 50 | WA106001L | WASHER-PLAIN | | | | | | | | | | 10 |
| 51 | FB106081 | BOLT | 5306-99-122-5246 | | | | | | | | | 9 |
| 52 | HYG4269 | RETAINER ASSY (INCL. ITEMS 53 AND 54) | 1450-66-128-5978 | | | | | | | | | 3 |
| 53 | HYG4207 | PAD-RUBBER | 1450-99-638-4940 | | | | | | | | | 2 |
| 54 | HYG4250 | RETAINER | | | | | | | | | | 1 |
| 55 | HYG4254 | KNOB-RETAINER | 5355-66-128-5979 | | | | | | | | | 3 |
| 56 | SE910161L | SCREW | | | | | | | | | | 3 |
| 57 | WJ108001 | WASHER-PLAIN | 5310-12-154-2190 | | | | | | | | | 3 |
| 58 | WL105001L | WASHER-LOCK | 5310-99-977-1102 | | | | | | | | | 3 |
| 59 | MYH3535 | WASHER-DISHED | | | | | | | | | | 18 |
| 60 | HYG4257 | STUD | 5307-99-638-4381 | | | | | | | | | 3 |
| 61 | HYL9861 | PLATE-TEE | | | | | | | | | | 3 |
| 62 | HYL9871 | STRIP-RUBBER | | | | | | | | | | 3 |
| 63 | HYL9870 | RAIL-STOP | | | | | | | | | | 3 |
| 64 | HYL9920 | STRAP ASSY-JERRYCAN STOWAGE | | | | | | | | | | 4 |
| 65 | NSS | | | | | | | | | | | |
| 66 | NY105041L | NUT-NYLOC | 5310-99-122-5494 | | | | | | | | | 4 |
| 67 | WA105001L | WASHER-PLAIN | 5310-99-122-3032 | | | | | | | | | 4 |
| 68 | R395143 | STAPLE-HOOD STRAP | 2540-99-824-6204 | | | | | | | | | 2 |
| 69 | SE105401 | SCREW | 5305-99-135-0435 | | | | | | | | | 4 |

CHANGE POINT

ARN INTRODUCTION

Nov 1995

GROUP SQBF

**FIRE/TRACKING UNIT MOUNTING
- AIR DEFENCE - RAPIER ONLY**

PERENTIE LAND ROVER PARTS LIST

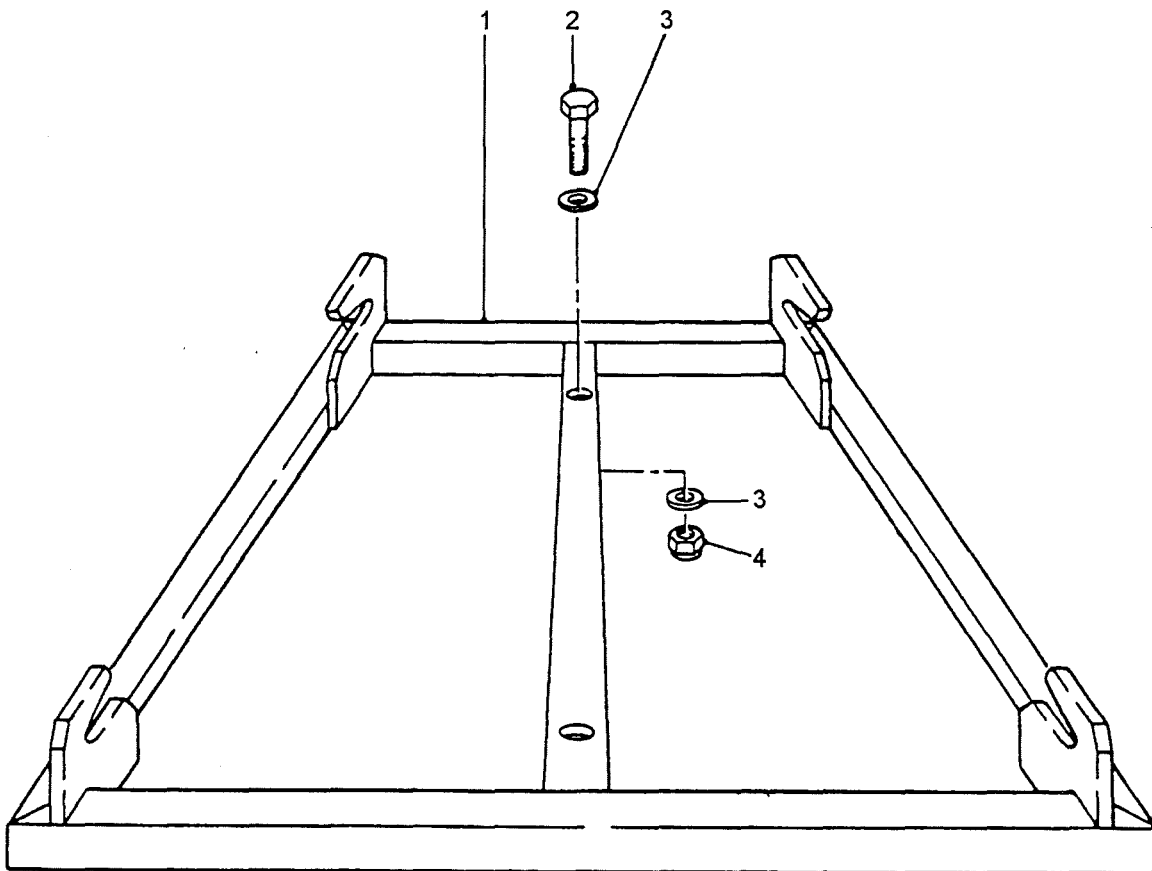
SQBF/1/1 FIRE/TRACKING UNIT MOUNTING - AIR DEFENCE - RAPIER ONLY

DERIVATIVE CODE

| <u>ITEM</u> | <u>PART NO.</u> | <u>DESCRIPTION</u> | <u>NSN</u> | <u>2185</u> | <u>2186</u> | <u>2208</u> | <u>2209</u> | <u>2210</u> | <u>2211</u> | <u>2212</u> | <u>2219</u> | <u>CP</u> |
|-------------|-----------------|-------------------------------------|------------------|-------------|-------------|-------------|-------------|-------------|-------------|-------------|-------------|-----------|
| 1 | HYG4221 | FRAME-TRACKER (INCL ITEMS 2 - 4) | 2540-66-128-5982 | | | | | | | | 1 | |
| 2 | RJ612313 | POP RIVET | | | | | | | | | 24 | |
| 3 | HYG4271 | STRIP-WEAR | | | | | | | | | 2 | |
| 4 | NSS | | | | | | | | | | | |
| 5 | FS108251 | SCREW | 5305-99-122-5367 | | | | | | | | 4 | |
| 6 | WA108051L | WASHER-PLAIN | 5310-99-122-6475 | | | | | | | | 4 | |
| 7 | HYG4251 | BOLT-EYE | | | | | | | | | 4 | |
| 8 | HYG4268 | CLAMP ASSY (INCL ITEMS 9 - 12) | 5340-66-128-5983 | | | | | | | | 4 | |
| 9 | HYG4255 | INSERT-KNOB | | | | | | | | | 1 | |
| 10 | PA110261 | ROLL PIN | | | | | | | | | 4 | |
| 11 | WJ112007 | WASHER-PLAIN | 5310-66-128-5548 | | | | | | | | 4 | |
| 12 | HYG4252 | KNOB-CLAMP | | | | | | | | | 4 | |
| 13 | BH110081L | BOLT | | | | | | | | | 4 | |
| 14 | NY110041L | NUT-NYLOC | 5310-99-122-5497 | | | | | | | | 4 | |
| 15 | NY108041L | NUT-NYLOC | 5310-99-122-5496 | | | | | | | | 4 | |

CHANGE POINT

ARN INTRODUCTION

GROUP SQBG

**TRACKER SEAT CRADLE
- AIR DEFENCE - RAPIER ONLY**

PERENTIE LAND ROVER PARTS LIST

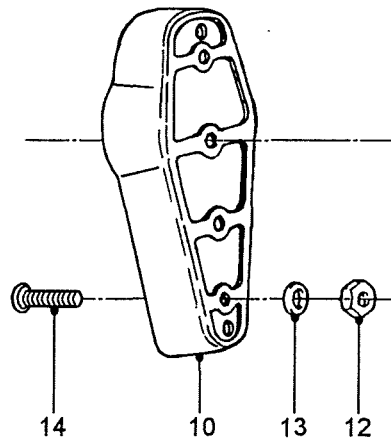
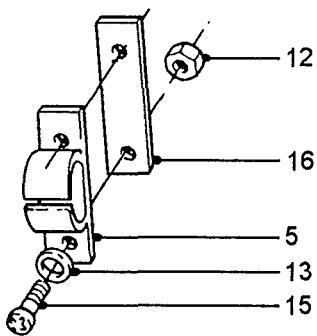
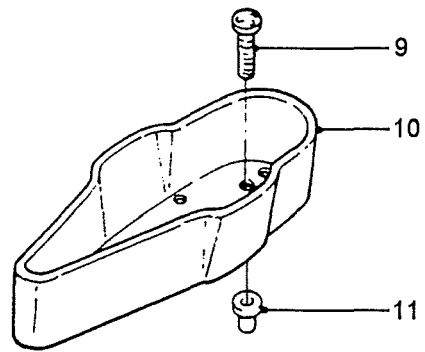
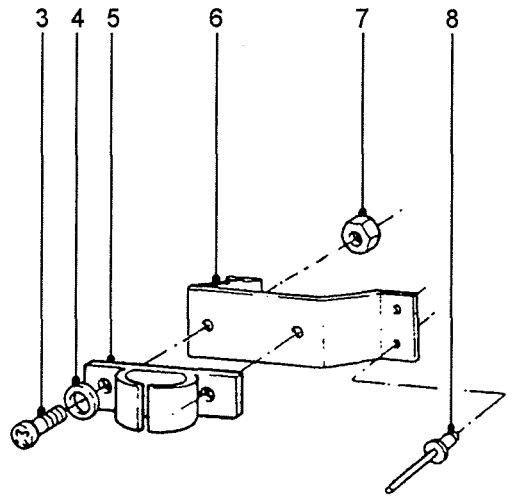
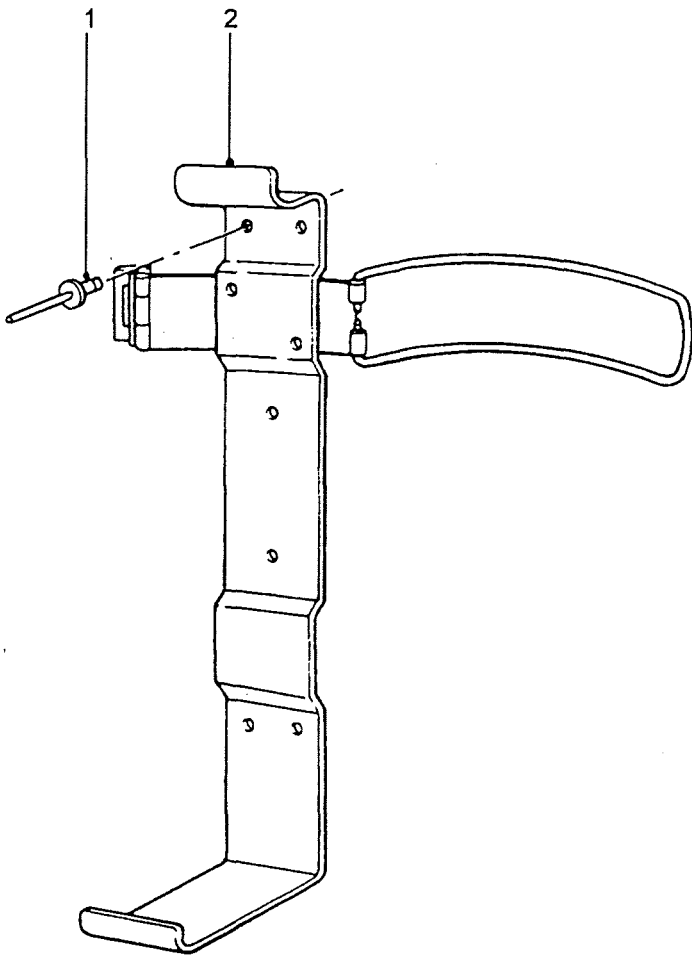
SQBG/1/1 TRACKER SEAT CRADLE - AIR DEFENCE - RAPIER ONLY

| <u>ITEM</u> | <u>PART NO.</u> | <u>DESCRIPTION</u> | <u>NSN</u> | <u>DERIVATIVE CODE</u> | | | | | | | | |
|-------------|-----------------|--------------------|------------------|------------------------|-------------|-------------|-------------|-------------|-------------|-------------|-------------|-----------|
| | | | | <u>2185</u> | <u>2186</u> | <u>2208</u> | <u>2209</u> | <u>2210</u> | <u>2211</u> | <u>2212</u> | <u>2219</u> | <u>CP</u> |
| 1 | HYL9638 | CRADLE-SEAT | | | | | | | | | | 1 |
| 2 | BH608161L | BOLT | | | | | | | | | | 2 |
| 3 | WA600091L | WASHER-PLAIN | 5310-66-012-6841 | | | | | | | | | 2 |
| 4 | NY608041L | NUT-NYLOC | 5310-99-943-4300 | | | | | | | | | 2 |

CHANGE POINT

ARN INTRODUCTION

GROUP SQC/1



FIRE EXTINGUISHER AND WEAPON MOUNT BRACKETS – EXCEPT CREW CAB

PERENTIE LAND ROVER PARTS LIST

SQC /1/1 FIRE EXTINGUISHER AND WEAPON MOUNTING BRACKETS - EXCEPT CREW CAB

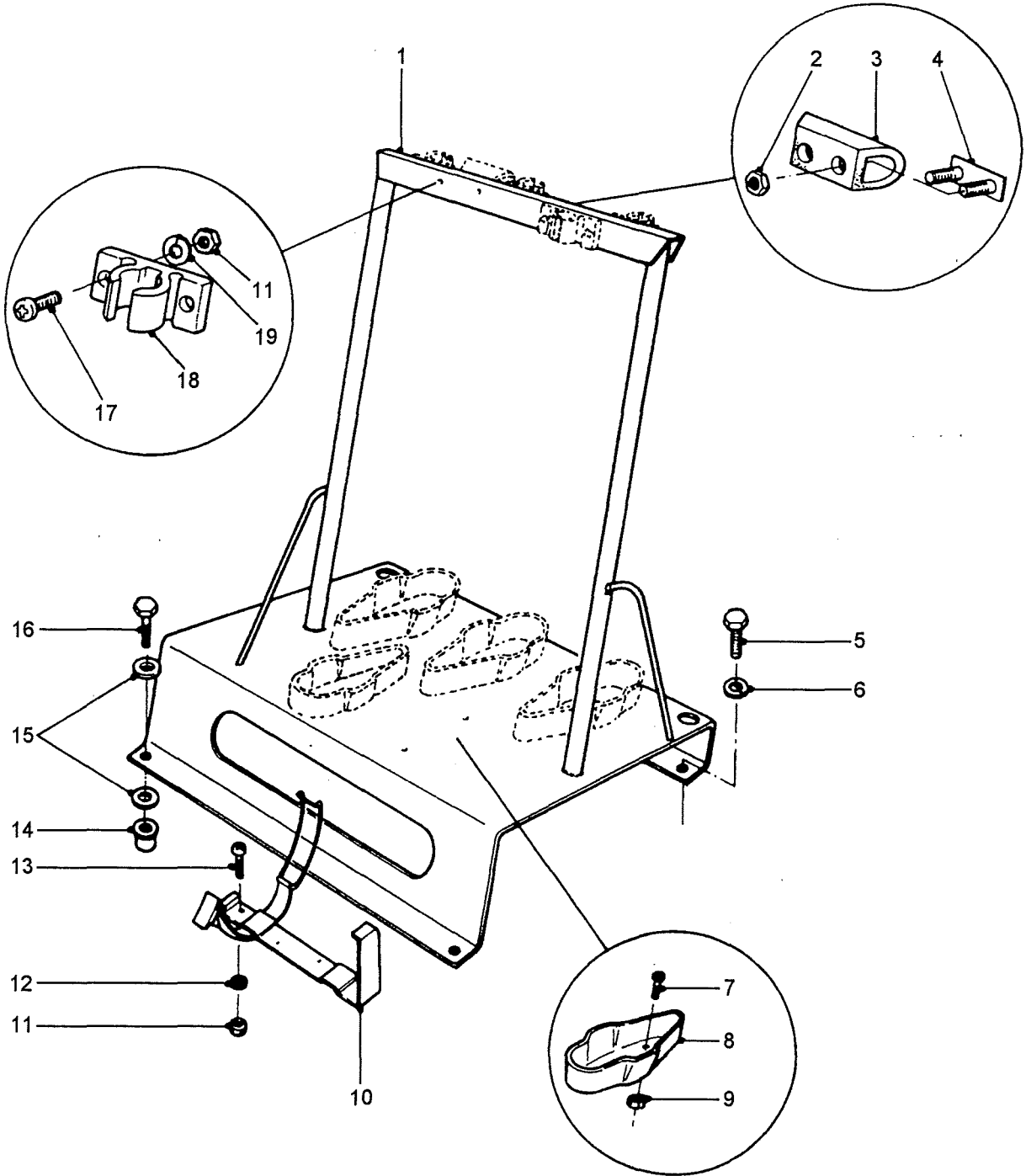
DERIVATIVE CODE

| <u>ITEM</u> | <u>PART NO.</u> | <u>DESCRIPTION</u> | <u>NSN</u> | <u>2185</u> | <u>2186</u> | <u>2208</u> | <u>2209</u> | <u>2210</u> | <u>2211</u> | <u>2212</u> | <u>2219</u> | <u>CP</u> |
|-------------|-----------------|--|------------------|-------------|-------------|-------------|-------------|-------------|-------------|-------------|-------------|-----------|
| 1 | RU612373L | POP RIVET | 5320-99-120-9002 | 4 | 4 | 4 | 4 | 4 | 4 | 4 | | |
| 2 | HYG3299 | BRACKET-MOUNTING -FIRE EXTINGUISHER | 4210-66-132-5281 | 1 | 1 | 1 | 1 | 1 | 1 | 1 | | |
| 3 | SE105201L | SCREW | 5305-66-128-4766 | 4 | 4 | 4 | 4 | 4 | 4 | 4 | | |
| 4 | WA105001L | WASHER-PLAIN | 5310-99-122-3032 | 4 | 4 | 4 | 4 | 4 | 4 | 4 | | |
| 5 | MYH3386 | CLIP-RIFLE BARREL | 5340-66-128-5508 | 2 | 2 | 2 | 2 | 2 | 2 | 3 | 2 | |
| 6 | HYG5740 | BRACKET-RIFLE | | 2 | 2 | 2 | 2 | 2 | 2 | 2 | | |
| 7 | NY105041L | NUT-NYLOC | 5310-99-122-5494 | 4 | 4 | 4 | 4 | 4 | 4 | 4 | | |
| 8 | RA612253L | POP RIVET | 5320-66-128-5117 | 8 | 8 | 8 | 8 | 8 | 8 | 8 | | |
| 9 | SE106251L | SCREW | 5305-99-135-0442 | 4 | 4 | 4 | 4 | 4 | | | 4 | |
| 10 | HYG3498 | BUTT BOX-RIFLE | 2540-66-128-5542 | 2 | 2 | 2 | 2 | 2 | 2 | 3 | 2 | |
| 11 | MM106301 | RIVNUT | 5310-66-128-5543 | 4 | 4 | 4 | 4 | 4 | 4 | 4 | 4 | |
| 12 | NY106041L | NUT-NYLOC | 5310-99-138-8423 | | | | | | | | 4 | |
| 13 | WA106041L | WASHER-PLAIN | 5310-66-0984440 | | | | | | | | 4 | |
| 14 | SE106201L | SCREW | 5305-99-796-7536 | | | | | | | | 2 | |
| 15 | SE106351L | SCREW | 5305-99-198-0006 | | | | | | | | 2 | |
| 16 | HYG6200 | PACKER-CLIP | | | | | | | | | 1 | |

CHANGE POINT

ARN INTRODUCTION

GROUP SQC/2



FIRE EXTINGUISHER AND WEAPON MOUNTING BRACKETS – CREW CAB ONLY

PERENTIE LAND ROVER PARTS LIST

SQC /2/1 FIRE EXTINGUISHER AND WEAPON MOUNTING BRACKETS - CREW CAB ONLY

DERIVATIVE CODE

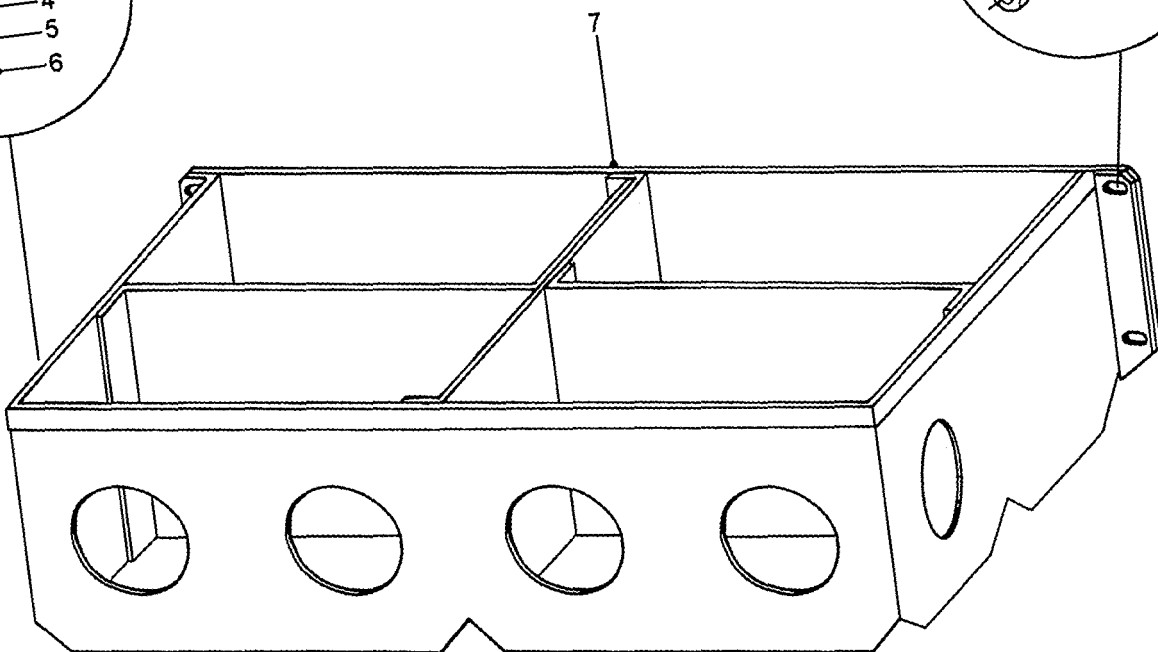
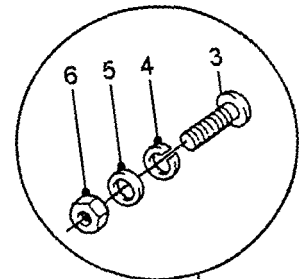
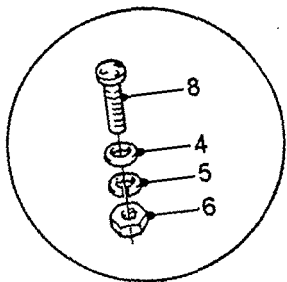
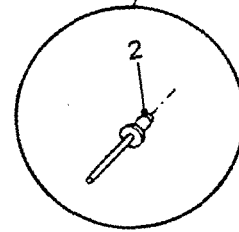
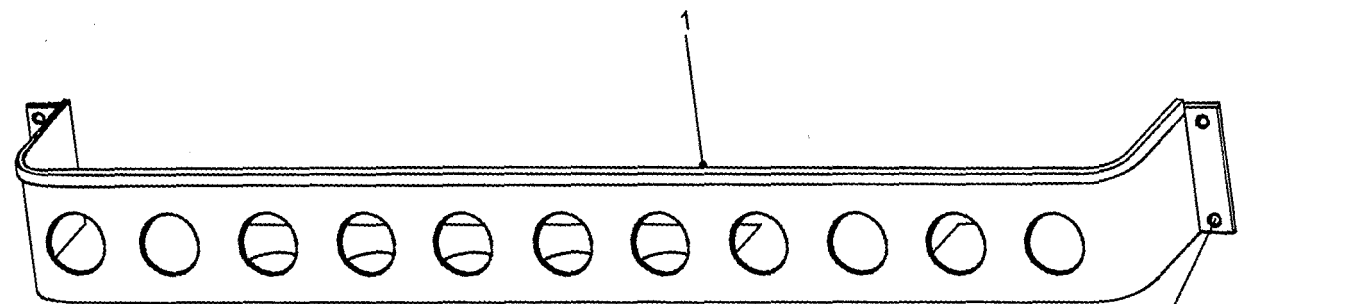
| <u>ITEM</u> | <u>PART NO.</u> | <u>DESCRIPTION</u> | <u>NSN</u> | <u>2185</u> | <u>2186</u> | <u>2208</u> | <u>2209</u> | <u>2210</u> | <u>2211</u> | <u>2212</u> | <u>2219</u> | <u>CP</u> |
|-------------|-----------------|---------------------------------------|------------------|-------------|-------------|-------------|-------------|-------------|-------------|-------------|-------------|-----------|
| 1 | HYG6047 | BRACKET ASSY-WEAPON STOWAGE | | | | | | | | | | 1 |
| 2 | FS108201 | SCREW | 5305-99-122-5366 | | | | | | | | | 2 |
| 3 | WL108001L | WASHER-LOCK | 5310-99-138-9227 | | | | | | | | | 2 |
| 4 | FS108251 | SCREW | 5305-99-122-5367 | | | | | | | | | 2 |
| 5 | WA108051L | WASHER-PLAIN | 5310-99-122-6475 | | | | | | | | | 4 |
| 6 | MM108301 | RIVNUT | 5310-99-772-5133 | | | | | | | | | 2 |
| 7 | HYG3498 | BOX-RIFLE BUTT | 2540-66-128-5542 | | | | | | | | | 5 |
| 8 | SE106201L | SCREW | 5305-99-796-7536 | | | | | | | | | 10 |
| 9 | WA106041L | WASHER-PLAIN | 5310-66-098-4440 | | | | | | | | | 10 |
| 10 | NY106041L | NUT-NYLOC | 5310-99-138-8423 | | | | | | | | | 10 |
| 11 | MYH3386 | CLIP-RIFLE MOUNTING | 5340-66-128-5508 | | | | | | | | | 5 |
| 12 | SE105251L | SCREW | | | | | | | | | | 10 |
| 13 | WA105001L | WASHER-PLAIN | 5310-99-122-3032 | | | | | | | | | 14 |
| 14 | NY105041L | NUT-NYLOC | 5310-99-122-5494 | | | | | | | | | 14 |
| 15 | HYG6002 | SAFETY RUBBER-BRACKET ASSY | | | | | | | | | | 2 |
| 16 | HYG4614 | STUD PLATE | | | | | | | | | | |
| 17 | NY108041L | NUT-NYLOC | 5310-99-122-5496 | | | | | | | | | 4 |
| 18 | HYG3299 | BRACKET-MOUNTING-FIRE EXTINGUISHER | 4210-66-132-5281 | | | | | | | | | 1 |
| 19 | SE105161L | SCREW | 5305-99-135-0430 | | | | | | | | | 4 |

CHANGE POINT

ARN INTRODUCTION

Jun 1995

GROUP SQC/3



BARREL STORAGE BINS AND AMMUNITION BIN
- LRPV ONLY

PERENTIE LAND ROVER PARTS LIST

SQC /3/1 BARREL STORAGE BINS AND AMMUNITION BIN - LRPV ONLY

DERIVATIVE CODE

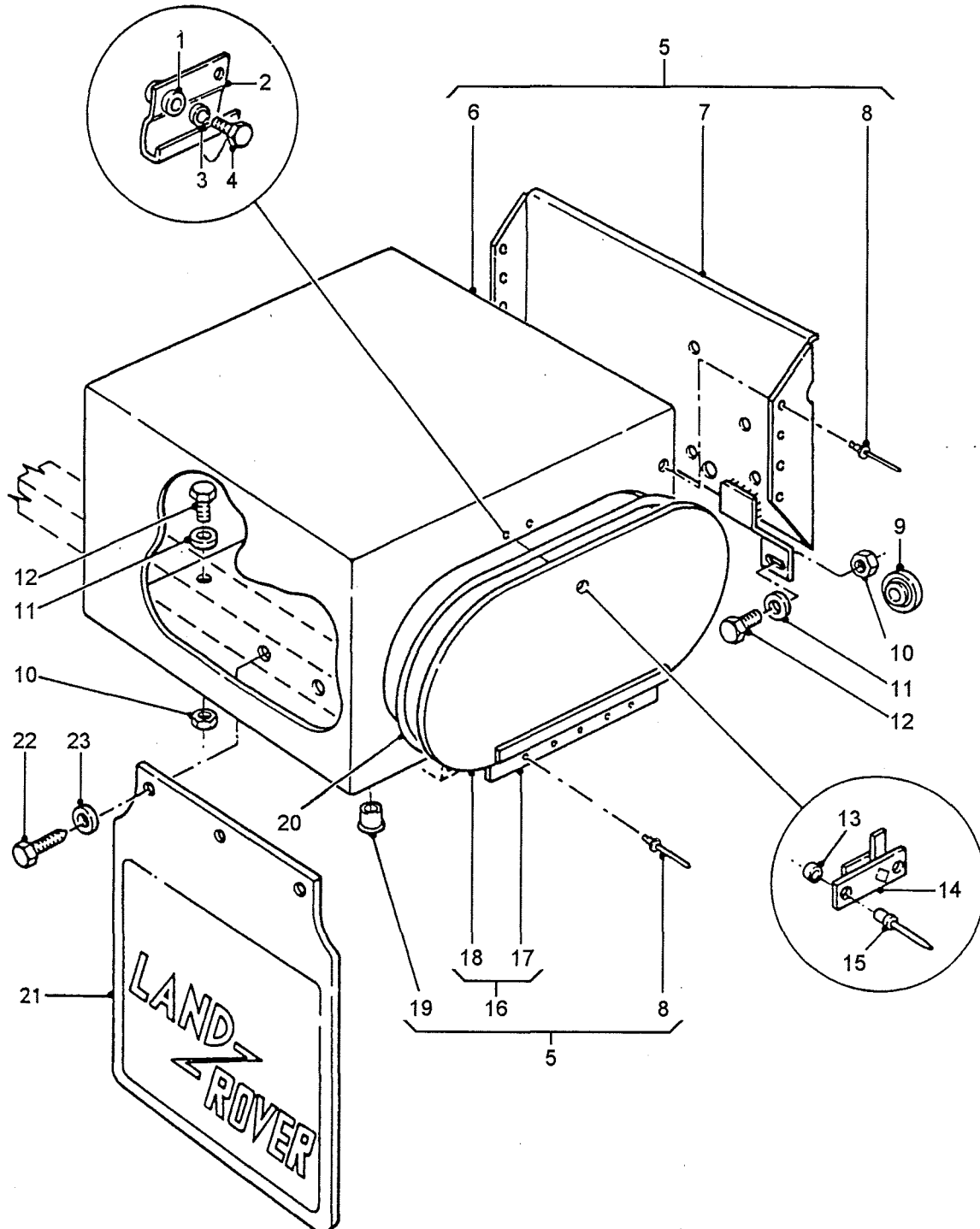
| <u>ITEM</u> | <u>PART NO.</u> | <u>DESCRIPTION</u> | <u>NSN</u> | <u>2185</u> | <u>2186</u> | <u>2208</u> | <u>2209</u> | <u>2210</u> | <u>2211</u> | <u>2212</u> | <u>2219</u> | <u>CP</u> |
|-------------|-----------------|--------------------|------------------|-------------|-------------|-------------|-------------|-------------|-------------|-------------|-------------|-----------|
| 1 | HYG6206 | BIN-BARREL STORAGE | | o | | | | | | | | 2 |
| 2 | RA612263L | POP RIVET | 5320-66-128-5117 | | | | | | | | | 20 |
| 3 | SE108204 | SCREW | | | | | | | | | | 2 |
| 4 | WL108001L | WASHER-LOCK | 5310-99-138-9227 | | | | | | | | | 4 |
| 5 | WA108051L | WASHER-PLAIN | 5310-99-122-6475 | | | | | | | | | 4 |
| 6 | NY108041L | NUT-NYLOC | 5310-99-122-5496 | | | | | | | | | 4 |
| 7 | HYG6340 | BIN-AMMUNITION | | | | | | | | | | 1 |
| 8 | BH108091L | BOLT | 5306-99-122-5255 | | | | | | | | | 2 |

Ⓟ

CHAR E POINT

ARN INTRODUCTION

GROUP SQD

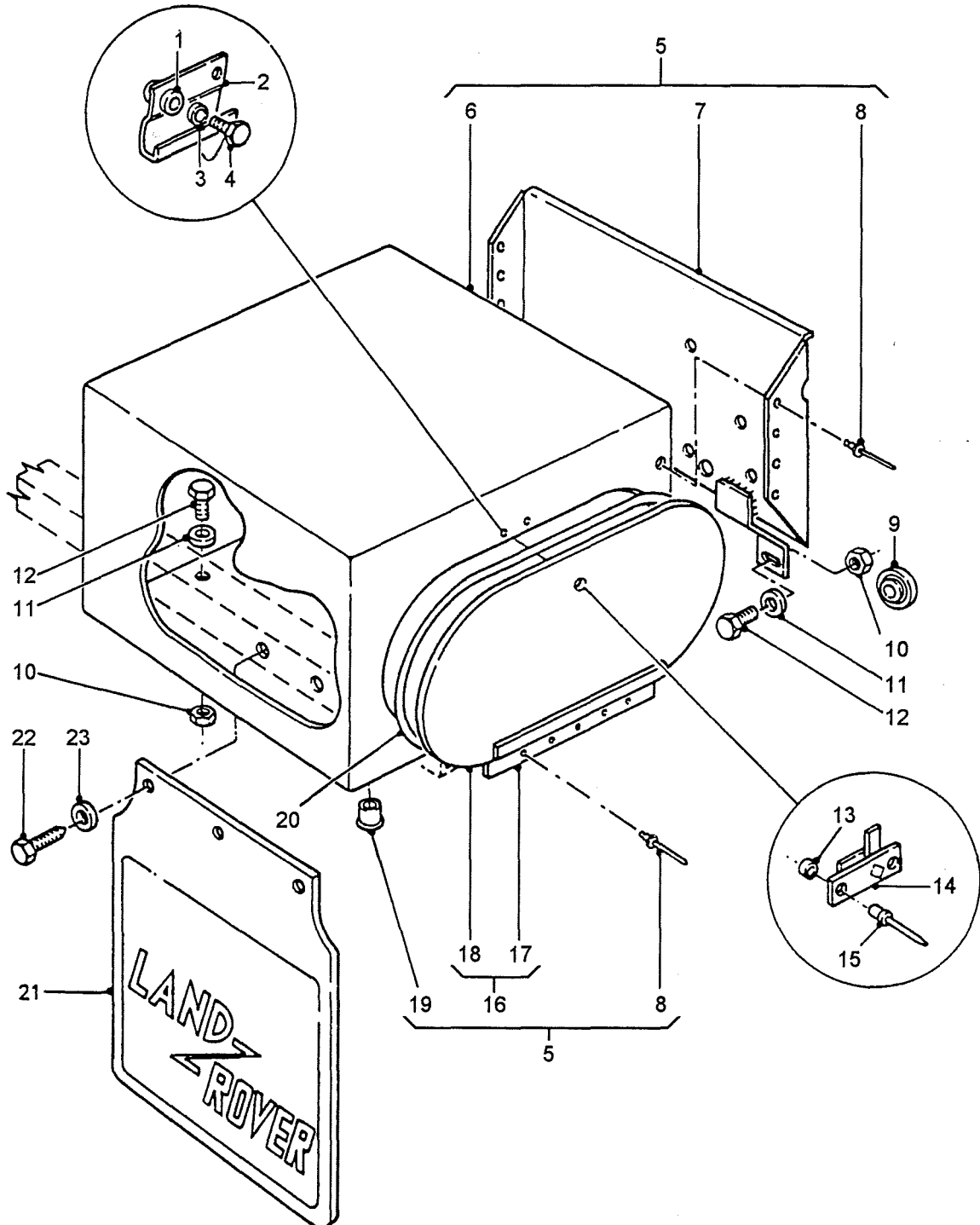


**TOOL BOX AND REAR MUD FLAP
- EXCEPT LRPV**

PERENTIE LAND ROVER PARTS LIST

SQD /1/1 TOOL BOX AND REAR MUD FLAP - EXCEPT LRPV

| ITEM | PART NO. | DESCRIPTION | NSN | DERIVATIVE CODE | | | | | | | |
|------|--------------|--|------------------|-----------------|------|------|------|------|------|------|------|
| | | | | 2185 | 2186 | 2208 | 2209 | 2210 | 2211 | 2212 | 2219 |
| 1 | WJ105001L | WASHER-PLAIN | 5310-66-128-4726 | 4 | 4 | 4 | 4 | 4 | 4 | 4 | 4 |
| 2 | HYG2930 | PLATE-STRIKER | 2540-66-128-5218 | 2 | 2 | 2 | 2 | 2 | 2 | 2 | 2 |
| 3 | WL105001L | WASHER-LOCK | 5310-99-977-1102 | 4 | 4 | 4 | 4 | 4 | 4 | 4 | 4 |
| 4 | SE105121L | SCREW | 5305-99-135-0429 | 4 | 4 | 4 | 4 | 4 | 4 | 4 | 4 |
| 5 | HYG3487 | TOOLBOX-LH | 2540-66-128-5544 | 1 | 1 | 1 | 1 | 1 | 1 | 1 | 1 |
| | HYG3486 | TOOLBOX-RH | 2540-66-128-5545 | 1 | 1 | 1 | 1 | 1 | 1 | 1 | 1 |
| 6 | NSS | | | | | | | | | | |
| 7 | HYG2739 | PANEL-MTG-LH | 2510-66-128-5546 | 1 | 1 | 1 | 1 | 1 | 1 | 1 | 1 |
| | HYG2738 | PANEL-MTG-RH | 2510-66-128-5547 | 1 | 1 | 1 | 1 | 1 | 1 | 1 | 1 |
| 8 | RU612183 | POP RIVET | 5320-66-128-4938 | 26 | 26 | 26 | 26 | 26 | 26 | 26 | 26 |
| 9 | BD15588/8 | PLUG | 5325-99-828-1013 | 4 | 4 | 4 | 4 | 4 | 4 | 4 | 4 |
| 10 | NV110041L | NUT | 5310-99-138-1473 | 8 | 8 | 8 | 8 | 8 | 8 | 8 | 8 |
| 11 | WJ110001 | WASHER-PLAIN | 5310-99-785-2434 | 8 | 8 | 8 | 8 | 8 | 8 | 8 | 8 |
| 12 | SH110251L | SCREW | 5305-99-122-4910 | 8 | 8 | 8 | 8 | 8 | 8 | 8 | 8 |
| 13 | MYH3326 | SEAL-DUST-BUDGET LOCK | 5330-66-128-5191 | 2 | 2 | 2 | 2 | 2 | 2 | 2 | 2 |
| 14 | HYG3080 | BUDGET LOCK-TOOLBOX DOOR | 2540-66-128-5165 | 2 | 2 | 2 | 2 | 2 | 2 | 2 | 2 |
| 15 | AFU1298 | MONOBOLT | 5320-66-128-5186 | 4 | 4 | 4 | 4 | 4 | 4 | 4 | 4 |
| 16 | HYG2927 | DOOR-TOOLBOX | 2540-66-128-5549 | 2 | 2 | 2 | 2 | 2 | 2 | 2 | 2 |
| 17 | HYG2744 | HINGE-TOOLBOX | 5340-66-128-5550 | 2 | 2 | 2 | 2 | 2 | 2 | 2 | 2 |
| 18 | NSS | | | | | | | | | | |
| 19 | MYH3380 | PLUG-DRAIN | | 2 | 2 | 2 | 2 | 2 | 2 | 2 | 2 |
| 20 | MYH5317/1200 | SEAL-TOOLBOX DOOR TO TOOLBOX | | 2 | 2 | 2 | 2 | 2 | 2 | 2 | 2 |
| 21 | BTR277 | MUDFLAP | 2540-66-128-6102 | 2 | 2 | 2 | 2 | 2 | 2 | 2 | 2 |
| 22 | MYH3337 | SCREW | 5305-66-128-5341 | 6 | 6 | 6 | 6 | 6 | 6 | 6 | 6 |
| 23 | WJ106001L | WASHER-PLAIN | 5310-66-128-4699 | 6 | 6 | 6 | 6 | 6 | 6 | 6 | 6 |
| | WJ112007 | WASHER-PLAIN-T/BOX TO CHASSIS-FRONT RH SIDE | 5310-66-128-5548 | 2 | 2 | 2 | 2 | 2 | 2 | 2 | 2 |
| | MYH5328/50 | SEAL-RUBBER-TOOLBOX | 5330-66-128-5804 | 2 | 2 | 2 | 2 | 2 | 2 | 2 | 2 |

GROUP SQD

**TOOL BOX AND REAR MUD FLAP
- EXCEPT LRPV**

PERENTIE LAND ROVER PARTS LIST

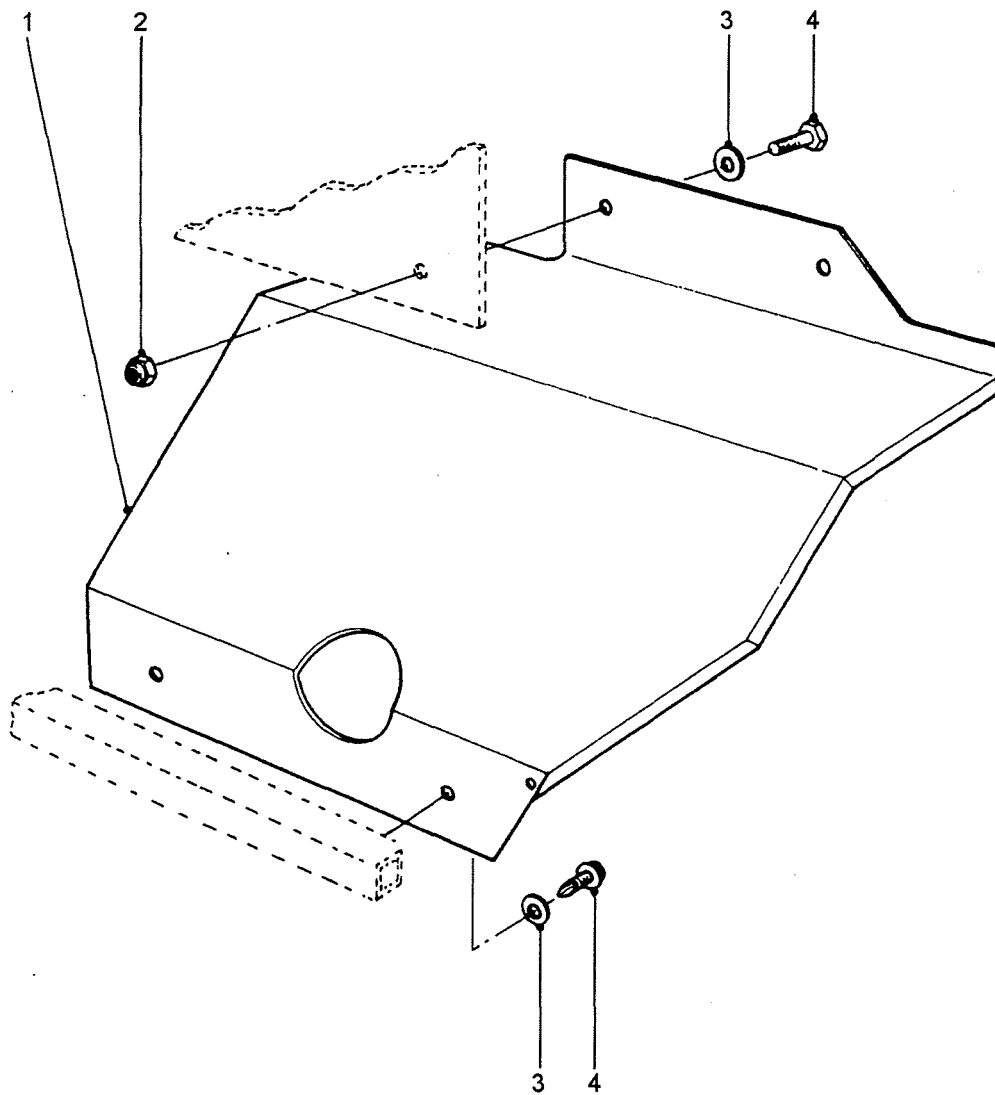
SQD /1/1 TOOL BOX AND REAR MUD FLAP - EXCEPT LRPV

| <u>ITEM</u> | <u>PART NO.</u> | <u>DESCRIPTION</u> | <u>NSN</u> | <u>DERIVATIVE CODE</u> | | | | | | | |
|-------------|-----------------|--------------------------------|------------------|------------------------|-------------|-------------|-------------|-------------|-------------|-------------|-------------|
| | | | | <u>2185</u> | <u>2186</u> | <u>2208</u> | <u>2209</u> | <u>2210</u> | <u>2211</u> | <u>2212</u> | <u>2219</u> |
| | HYG2925 | HOLDER ASSY-JACK-LH TOOLBOX | | 1 | 1 | 1 | 1 | 1 | | 1 | 1 |
| | R371144 | RING-RETAINER | | 1 | 1 | 1 | 1 | 1 | | 1 | 1 |
| | HYG3022 | KEY-BUDGET LOCK | 6115-66-038-2801 | 1 | 1 | 1 | 1 | 1 | | 1 | 1 |

CHANGE POINT

ARN INTRODUCTION

GROUP SQE



**CARGO BODY FRONT MUDGUARD
- CREW CAB ONLY**

PERENTIE LAND ROVER PARTS LIST

SQE /1/1 CARGO BODY FRONT MUDGUARDS - CREW CAB ONLY

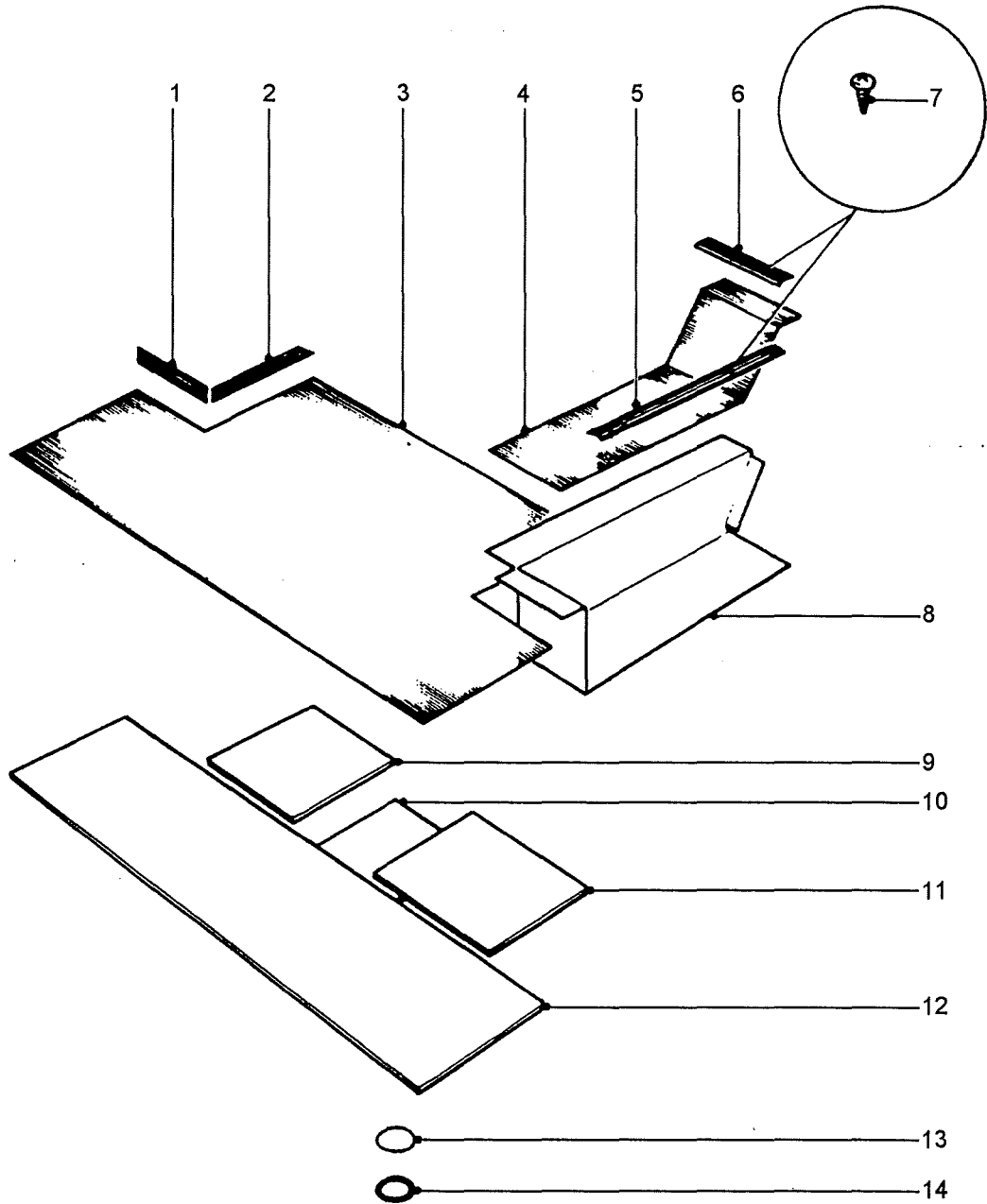
DERIVATIVE CODE

| <u>ITEM</u> | <u>PART NO.</u> | <u>DESCRIPTION</u> | <u>NSN</u> | <u>2185</u> | <u>2186</u> | <u>2208</u> | <u>2209</u> | <u>2210</u> | <u>2211</u> | <u>2212</u> | <u>2219</u> | <u>CP</u> |
|-------------|-----------------|--------------------|------------------|-------------|-------------|-------------|-------------|-------------|-------------|-------------|-------------|-----------|
| 1 | HYG6144 | MUDGUARD-FRONT-RH | | | | | | | | | | 1 |
| | HYG6145 | MUDGUARD-FRONT-LH | | | | | | | | | | 1 |
| 2 | NY106041L | NUT-NYLOC | 5310-99-138-8423 | | | | | | | | | 4 |
| 3 | WC106041L | WASHER-PLAIN | 5310-99-122-3411 | | | | | | | | | 8 |
| 4 | FS106201 | SCREW | 5305-99-122-5361 | | | | | | | | | 4 |

CHANGE POINT

ARN INTRODUCTION

GROUP SQF



**REAR FLOOR MATS AND TRIM
- CREW CAB ONLY**

PERENTIE LAND ROVER PARTS LIST

SQF /1/1 REAR FLOOR MATS AND TRIM - CREW CAB ONLY

DERIVATIVE CODE

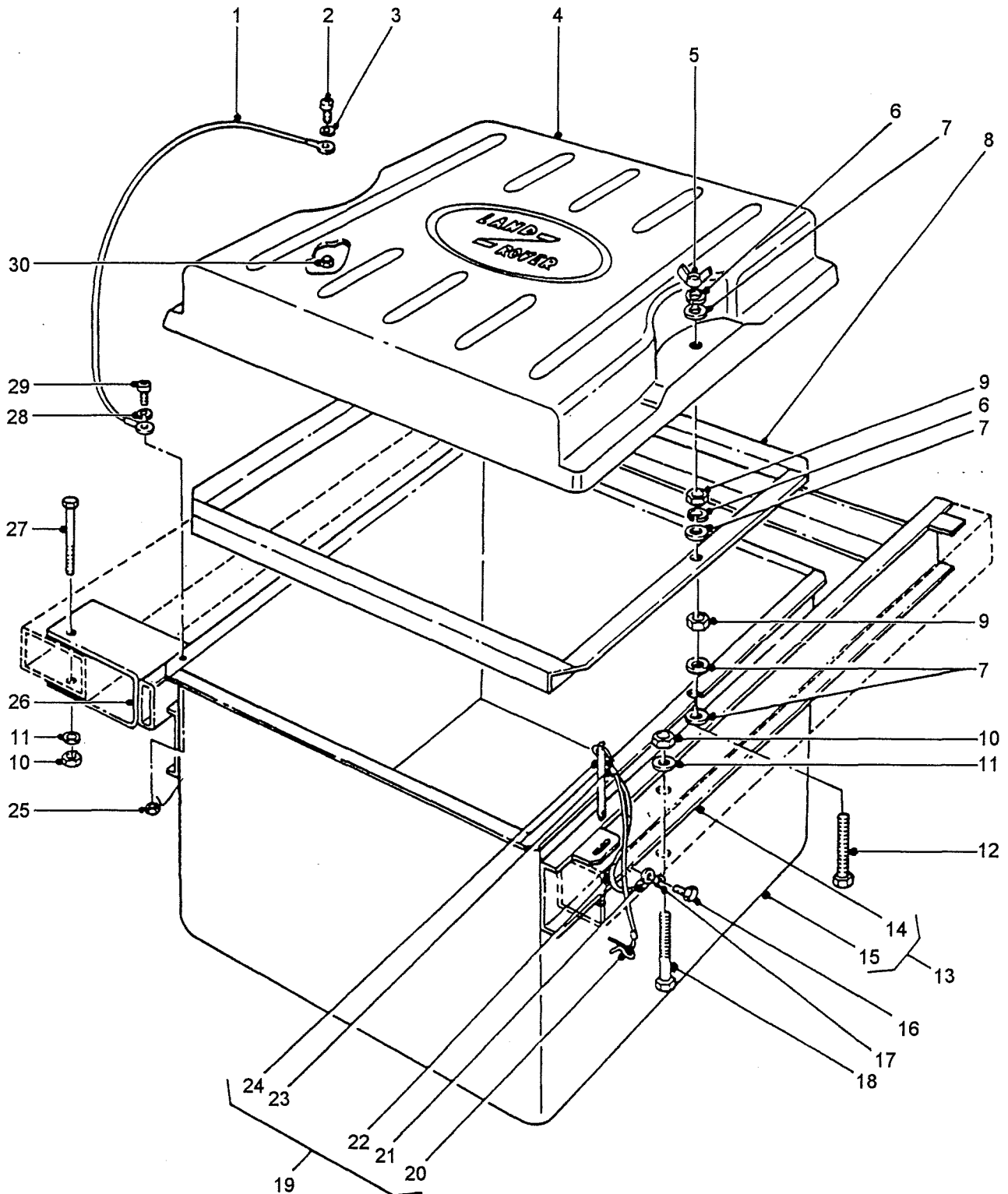
| <u>ITEM</u> | <u>PART NO.</u> | <u>DESCRIPTION</u> | <u>NSN</u> | <u>2185</u> | <u>2186</u> | <u>2208</u> | <u>2209</u> | <u>2210</u> | <u>2211</u> | <u>2212</u> | <u>2219</u> | <u>CP</u> |
|-------------|-----------------|--|------------|-------------|-------------|-------------|-------------|-------------|-------------|-------------|-------------|-----------|
| 1 | HYG6078 | FINISHER-FLOOR MAT-RH-163MM LONG | | | | | | | | | | 1 |
| | HYG6079 | FINISHER-FLOOR MAT-LH-163MM LONG | | | | | | | | | | 1 |
| 2 | HYG6080 | FINISHER-FLOOR MAT-RH-218MM LONG | | | | | | | | | | 1 |
| | HYG6081 | FINISHER-FLOOR MAT-LH-218MM LONG | | | | | | | | | | 1 |
| 3 | HYG6083 | MAT-CAB FLOOR-REAR | | | | | | | | | | 1 |
| 4 | HYG6084 | MAT-CAB STEP-REAR | | | | | | | | | | 2 |
| 5 | HYG6076 | FINISHER-CAB STEP MAT-REAR-390MM LONG | | | | | | | | | | 2 |
| 6 | HYG6077 | FINISHER-CAB STEP MAT-REAR-152MM LONG | | | | | | | | | | 2 |
| 7 | AC606064 | SCREW | | | | | | | | | | 22 |
| 8 | HYG6222 | KICKTRIM-CAB FOOTSTEP-REAR-RH | | | | | | | | | | 1 |
| | HYG6223 | KICKTRIM-CAB FOOTSTEP-REAR-LH | | | | | | | | | | 1 |
| 9 | HYG6116 | PAD-INSULATION CAB FLOOR-REAR-RH | | | | | | | | | | 1 |
| 10 | HYG6118 | PAD-INSULATION-CAB FLOOR-CENTRE | | | | | | | | | | 1 |
| 11 | HYG6117 | PAD-INSULATION-CAB FLOOR-REAR-LH | | | | | | | | | | 1 |
| 12 | HYG6119 | PAD-INSULATION-CAB FLOOR-INTERMEDIATE | | | | | | | | | | 1 |
| 13 | HYG6122 | GASKET-CAB FLOOR-REAR | | | | | | | | | | 1 |
| 14 | HYG6121 | COVER-CAB FLOOR-REAR | | | | | | | | | | 1 |

CHANGE POINT

ARN INTRODUCTION

Oct 1995

GROUP SQG



BATTERY CARRIER - FFR & 24 VOLT BATTERIES

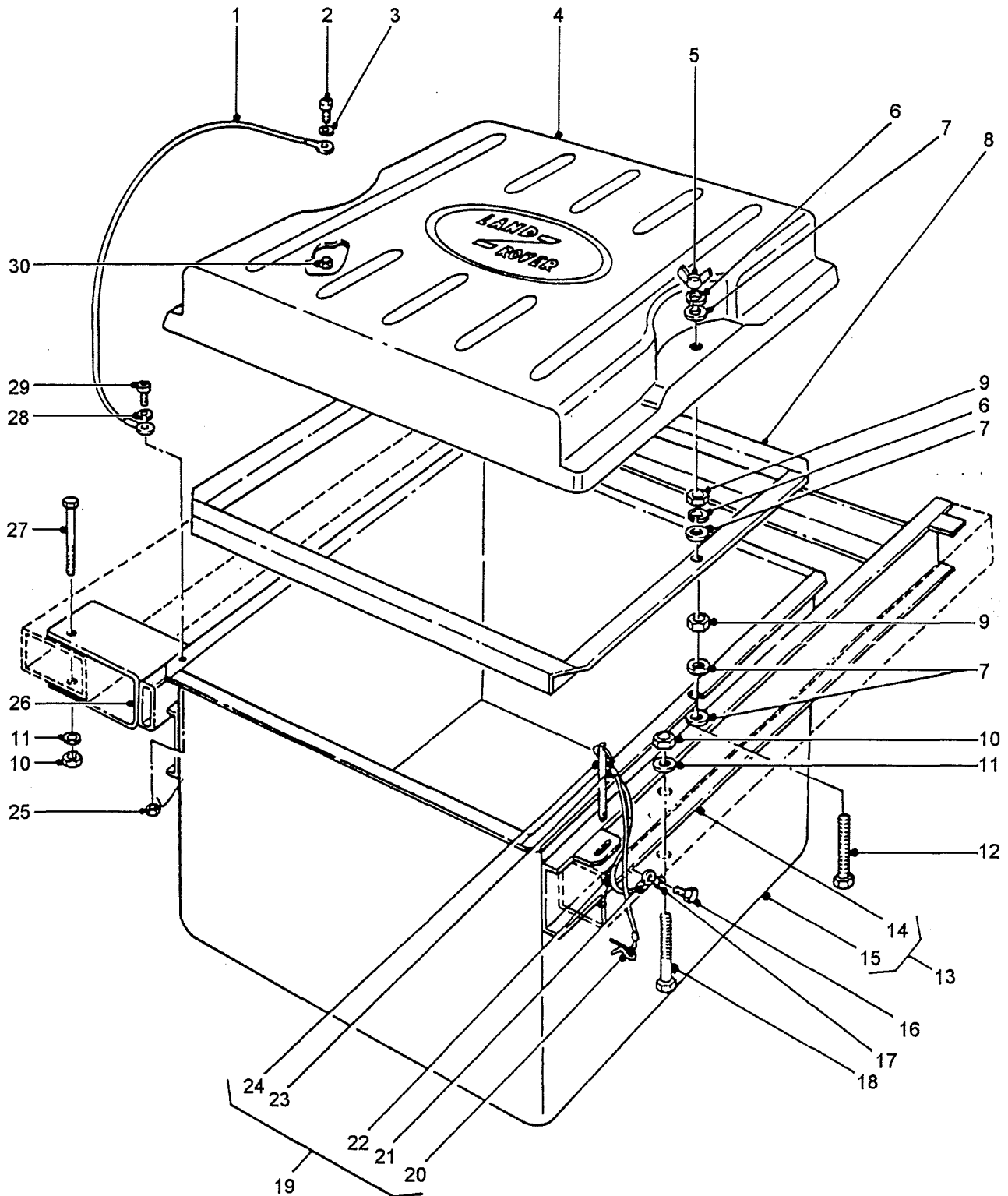
PERENTIE LAND ROVER PARTS LIST

SQG /1/1 BATTERY CARRIER - FFR & 24 VOLT BATTERIES

DERIVATIVE CODE

| ITEM | PART NO. | DESCRIPTION | NSN | DERIVATIVE CODE | | | | | | | | |
|------|-----------|---|------------------|-----------------|------|------|------|------|------|------|------|----|
| | | | | 2185 | 2186 | 2208 | 2209 | 2210 | 2211 | 2212 | 2219 | CP |
| 1 | HYG2812 | KEEPER WIRE | | | | 1 | 1 | 1 | | 1 | | |
| 2 | SE106161L | SCREW | 5305-99-135-0440 | | | 1 | 1 | 1 | | 1 | | |
| 3 | WA106041L | WASHER-PLAIN | 5310-66-098-4440 | | | 1 | 1 | 1 | | 1 | | |
| 4 | AYG9856 | COVER-BATTERY | 6140-66-128-5865 | | | 1 | 1 | 1 | | 1 | | |
| 5 | NA108011 | WING NUT | 5310-66-128-5340 | | | 2 | 2 | 2 | | 2 | | |
| 6 | WL108001L | WASHER-LOCK | 5310-99-138-9227 | | | 2 | 2 | 2 | | 2 | | |
| 7 | WJ108001 | WASHER-PLAIN | 5310-12-154-2190 | | | 4 | 4 | 4 | | 4 | | |
| 8 | AYG9733 | CLAMP-BATTERY | | | | 1 | 1 | 1 | | 1 | | |
| 9 | NT108041L | NUT | 5310-66-098-4402 | | | 2 | 2 | 2 | | 2 | | |
| 10 | NV110041L | NUT | 5310-99-138-1473 | | | 4 | 4 | 4 | | 4 | | |
| 11 | WA110061L | WASHER-PLAIN | 5310-99-122-6476 | | | 4 | 4 | 4 | | 4 | | |
| 12 | SH108701L | SCREW | 5305-99-630-0095 | | | 1 | 1 | 1 | | 1 | | |
| 13 | AYG9840 | BOX-BATTERY | | | | 1 | 1 | 1 | | 1 | | |
| 14 | NSS | | | | | | | | | | | |
| 15 | NSS | | | | | | | | | | | |
| 16 | MYH3337 | SCREW | 5305-66-128-5341 | | | 1 | 1 | 1 | | 1 | | |
| 17 | WL106001L | WASHER-LOCK | 5310-99-137-9232 | | | 1 | 1 | 1 | | 1 | | |
| 18 | BH110131 | BOLT | | | | 1 | 1 | 1 | | 1 | | |
| 19 | AYG8788 | KEEP WIRE & TRIM ASSY (INCL ITEMS 20-24) | 5315-66-128-5915 | | | 1 | 1 | 1 | | 1 | | |
| 20 | NSS | PART OF SQG019 | | | | 1 | 1 | 1 | | 1 | | |
| 21 | NSS | | | | | | | | | | | |
| 22 | NSS | | | | | | | | | | | |
| 23 | NSS | | | | | | | | | | | |
| 24 | NSS | | | | | | | | | | | |
| 25 | NY105041L | NUT-NYLOC | 5310-99-122-5494 | | | 1 | 1 | 1 | | 1 | | |
| 26 | AYG9839 | CHANNEL-BATTERY BOX SLIDE | | | | 1 | 1 | 1 | | 1 | | |
| 27 | BH110161L | BOLT | 5306-99-788-9287 | | | 1 | 1 | 1 | | 1 | | |

GROUP SQG



BATTERY CARRIER – FFR & 24 VOLT BATTERIES

PERENTIE LAND ROVER PARTS LIST

SQG /1/1 BATTERY CARRIER - FFR & 24 VOLT BATTERIES

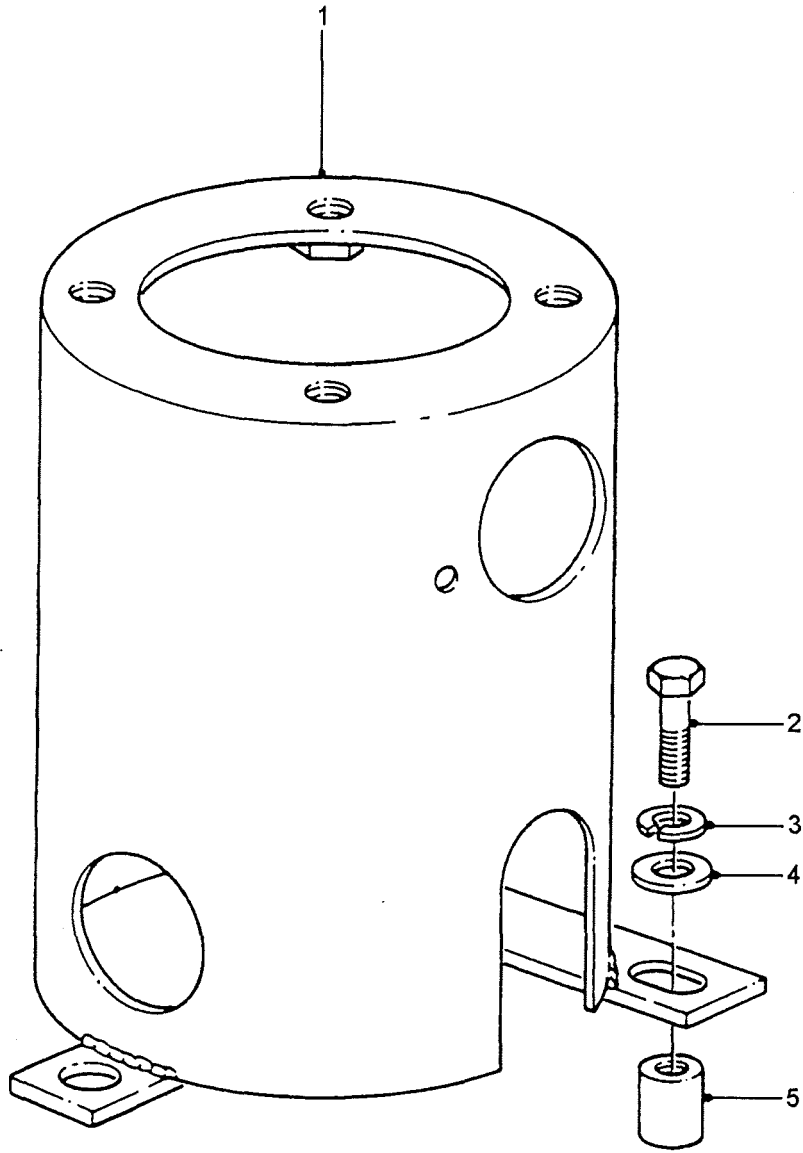
DERIVATIVE CODE

| <u>ITEM</u> | <u>PART NO.</u> | <u>DESCRIPTION</u> | <u>NSN</u> | <u>2185</u> | <u>2186</u> | <u>2208</u> | <u>2209</u> | <u>2210</u> | <u>2211</u> | <u>2212</u> | <u>2219</u> | <u>CP</u> |
|-------------|-----------------|--------------------|------------------|-------------|-------------|-------------|-------------|-------------|-------------|-------------|-------------|-----------|
| 28 | WA105001L | WASHER-PLAIN | 5310-99-122-3032 | | | 1 | 1 | 1 | | | 1 | |
| 29 | SE105161L | SCREW | 5305-99-135-0430 | | | 1 | 1 | 1 | | | 1 | |
| 30 | NY106041L | NUT-NYLOC | 5310-99-138-8423 | | | 1 | 1 | 1 | | | 1 | |

CHANGE POINT

ARN INTRODUCTION

GROUP SQH



**ANTENNA MOUNTING BRACKET
- LRPV ONLY**

PERENTIE LAND ROVER PARTS LIST

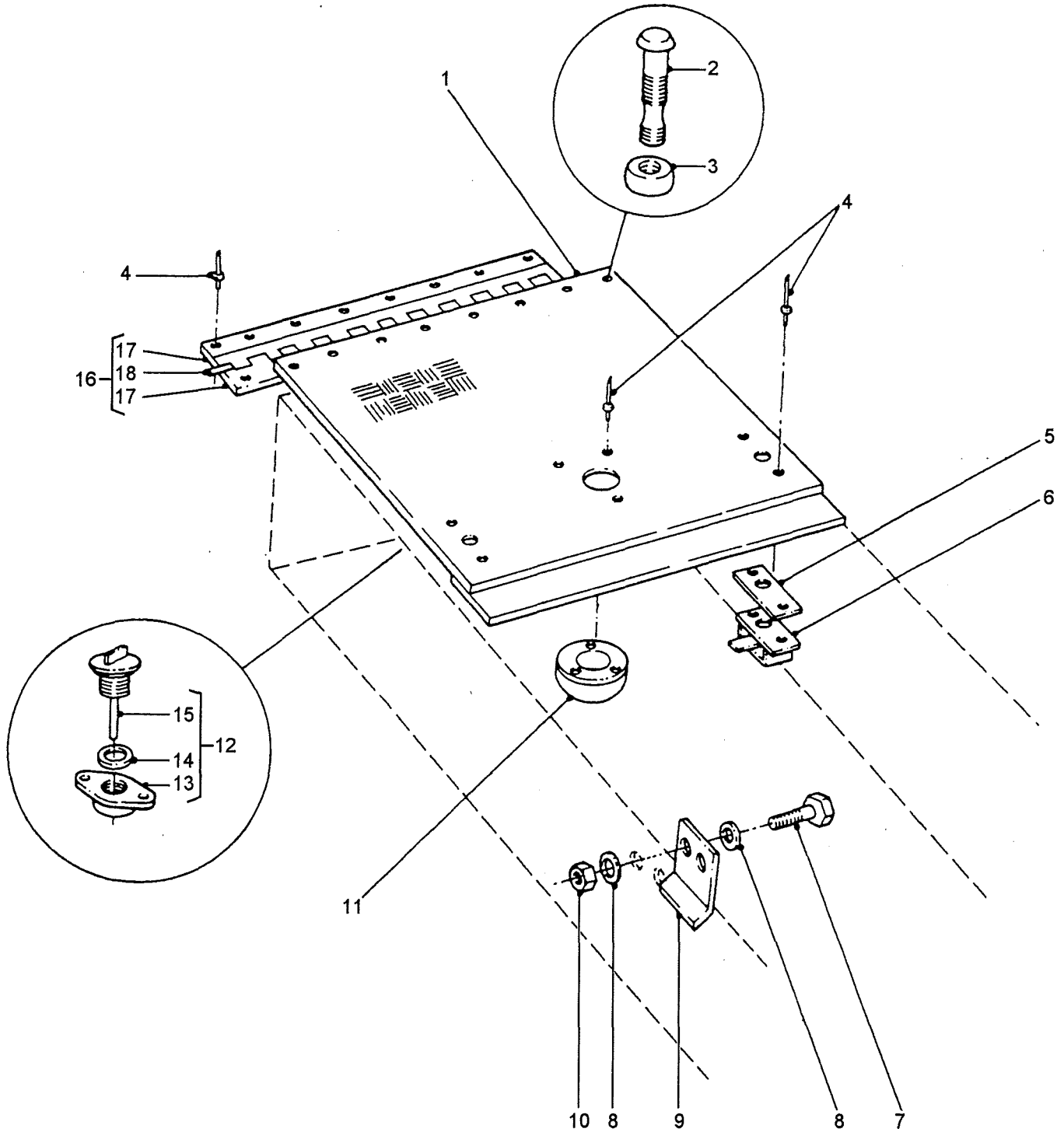
SQH /1/1 ANTENNA MOUNTING BRACKET - LRPV ONLY

| <u>ITEM</u> | <u>PART NO.</u> | <u>DESCRIPTION</u> | <u>NSN</u> | <u>DERIVATIVE CODE</u> | | | | | | | | |
|-------------|-----------------|--------------------|------------------|------------------------|-------------|-------------|-------------|-------------|-------------|-------------|-------------|-----------|
| | | | | <u>2185</u> | <u>2186</u> | <u>2208</u> | <u>2209</u> | <u>2210</u> | <u>2211</u> | <u>2212</u> | <u>2219</u> | <u>CP</u> |
| 1 | HYG4141 | BRACKET-ANTENNA | | | | | | | | | | 1 |
| 2 | BH108071 | BOLT | | | | | | | | | | 6 |
| 3 | WL108001L | WASHER-LOCK | 5310-99-138-9227 | | | | | | | | | 6 |
| 4 | WJ108001 | WASHER-PLAIN | 5310-12-154-2190 | | | | | | | | | 6 |
| 5 | MM108301 | RIVNUT | 5310-99-772-5133 | | | | | | | | | 6 |

CHANGE POINT

ARN INTRODUCTION

GROUP SQK



**FLOOR STOWAGE ACCESS DOOR ASSEMBLY
- LRPV ONLY**

PERENTIE LAND ROVER PARTS LIST

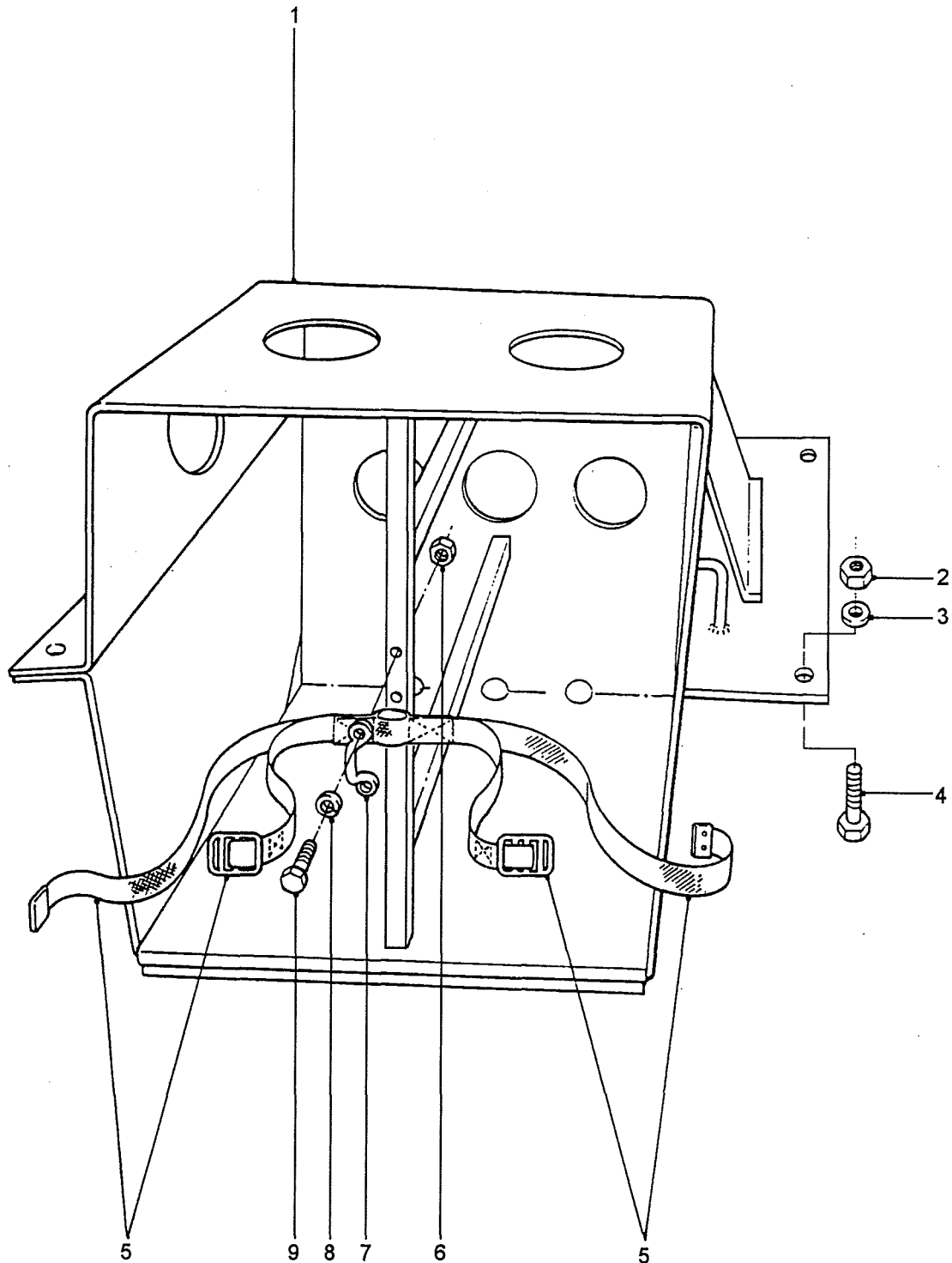
SQK /1/1 FLOOR STOWAGE ACCESS DOOR ASSEMBLY - LRPV ONLY

DERIVATIVE CODE

| <u>ITEM</u> | <u>PART NO.</u> | <u>DESCRIPTION</u> | <u>NSN</u> | <u>2185</u> | <u>2186</u> | <u>2208</u> | <u>2209</u> | <u>2210</u> | <u>2211</u> | <u>2212</u> | <u>2219</u> | <u>CP</u> |
|-------------|-----------------|---------------------------------------|------------------|-------------|-------------|-------------|-------------|-------------|-------------|-------------|-------------|-----------|
| 1 | HYG5600 | TRAPDOOR ASSY-FLOOR STOWAGE-RH | | | | | | | | | | 1 |
| | HYG5601 | TRAPDOOR ASSY-FLOOR STOWAGE-LH | | | | | | | | | | 1 |
| 2 | R79283 | PIN | 5315-66-095-8700 | | | | | | | | | 16 |
| 3 | AAU6774 | COLLAR | 5320-66-128-6357 | | | | | | | | | 16 |
| 4 | AFU1298 | MONOBOLT | 5320-66-128-5186 | | | | | | | | | 30 |
| 5 | HYG4156 | SPACER | | | | | | | | | | 4 |
| 6 | HYG3080 | BUDGET LOCK-TOOLBOX DOOR | 2540-66-128-5165 | | | | | | | | | 4 |
| 7 | FS108251 | SCREW | 5305-99-122-5367 | | | | | | | | | 4 |
| 8 | WA108051L | WASHER-PLAIN | 5310-99-122-6475 | | | | | | | | | 8 |
| 9 | HYG5616 | STOP-TRAPDOOR | | | | | | | | | | 2 |
| 10 | NY108041L | NUT-NYLOC | 5310-99-122-5496 | | | | | | | | | 4 |
| 11 | HYG3950 | CAP-TRAPDOOR | | | | | | | | | | 2 |
| 12 | MYH3514 | PLUG ASSY. | | | | | | | | | | 2 |
| 13 | NSS | | | | | | | | | | | |
| 14 | NSS | | | | | | | | | | | |
| 15 | NSS | | | | | | | | | | | |
| | RJ612256 | POP RIVET-DRAIN PLUGS TO REAR BODY | 5320-66-128-6328 | | | | | | | | | 4 |
| 16 | HYG4565 | HINGE | 5340-66-128-6356 | | | | | | | | | 2 |
| 17 | NSS | | | | | | | | | | | |
| 18 | NSS | | | | | | | | | | | |

CHANGE POINT

ARN INTRODUCTION

GROUP SQM/1

**RIGHT HAND JERRYCAN STOWAGE
- EXCEPT CREW CAB AND LRPV**

PERENTIE LAND ROVER PARTS LIST

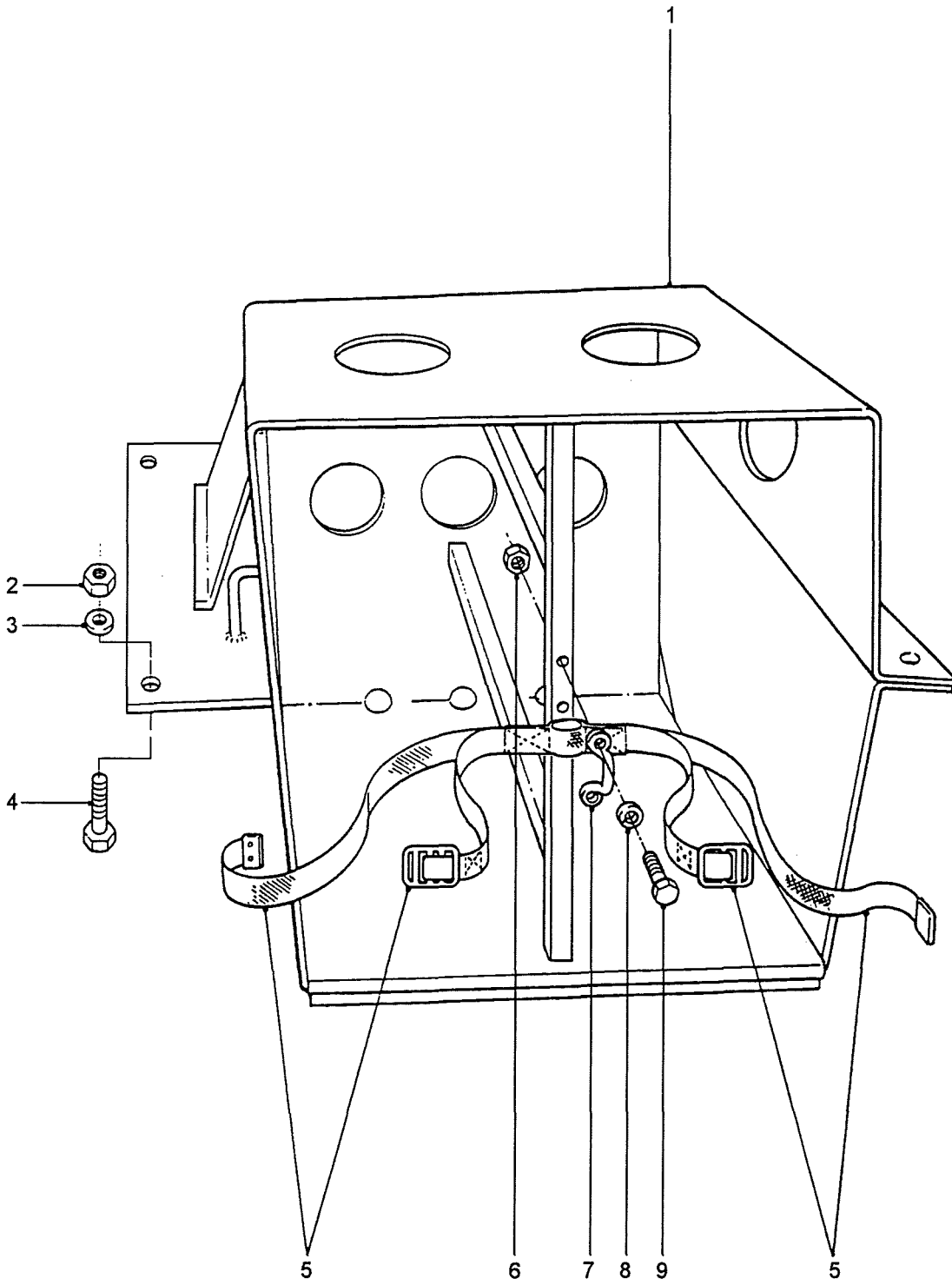
SQM /1/1 RIGHT HAND JERRYCAN STOWAGE - EXCEPT CREW CAB AND LRPV
DERIVATIVE CODE

| <u>ITEM</u> | <u>PART NO.</u> | <u>DESCRIPTION</u> | <u>NSN</u> | <u>2185</u> | <u>2186</u> | <u>2208</u> | <u>2209</u> | <u>2210</u> | <u>2211</u> | <u>2212</u> | <u>2219</u> | <u>CP</u> |
|-------------|-----------------|--------------------|------------------|-------------|-------------|-------------|-------------|-------------|-------------|-------------|-------------|-----------|
| 1 | AYG8754 | HOLDER-JERRYCAN-RH | 2540-66-128-5551 | 1 | 1 | 1 | 1 | 1 | | | 1 | |
| 2 | FN110041 | NUT | 5310-66-098-4403 | 4 | 4 | 4 | 4 | 4 | | | 4 | |
| 3 | WL110001L | WASHER-LOCK | 5310-99-138-9228 | 4 | 4 | 4 | 4 | 4 | | | 4 | |
| 4 | SH110251L | SCREW | 5305-99-122-4910 | 4 | 4 | 4 | 4 | 4 | | | 4 | |
| 5 | AYG8666 | BELT ASSY-JERRYCAN | 8305-66-013-3229 | 1 | 1 | 1 | 1 | 1 | | | 1 | |
| 6 | NY105041L | NUT-NYLOC | 5310-99-122-5494 | 2 | 2 | 2 | 2 | 2 | | | 2 | |
| 7 | R395143 | STAPLE | 2540-99-824-6204 | 1 | 1 | 1 | 1 | 1 | | | 1 | |
| 8 | WA105001L | WASHER-PLAIN | 5310-99-122-3032 | 2 | 2 | 2 | 2 | 2 | | | 2 | |
| 9 | BH105067L | BOLT | 5306-99-122-5241 | 2 | 2 | 2 | 2 | 2 | | | 2 | |

CHANGE POINT

ARN INTRODUCTION

GROUP SQM/2



**LEFT HAND JERRYCAN STOWAGE
- EXCEPT CREW CAB AND LRPV**

PERENTIE LAND ROVER PARTS LIST

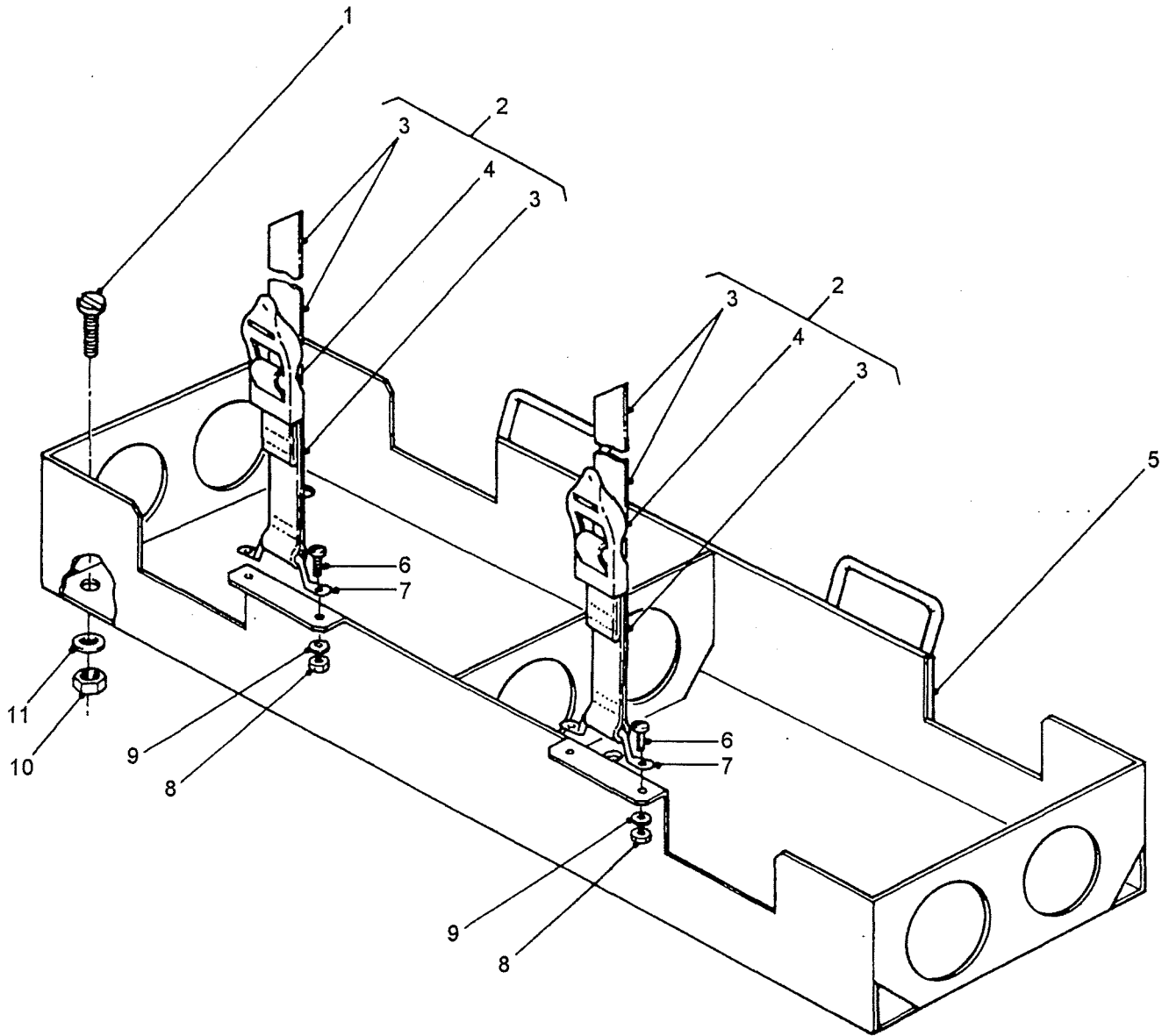
SQM /2/1 LEFT HAND JERRYCAN STOWAGE - EXCEPT CREW CAB AND LRPV
DERIVATIVE CODE

| <u>ITEM</u> | <u>PART NO.</u> | <u>DESCRIPTION</u> | <u>NSN</u> | <u>2185</u> | <u>2186</u> | <u>2208</u> | <u>2209</u> | <u>2210</u> | <u>2211</u> | <u>2212</u> | <u>2219</u> | <u>CP</u> |
|-------------|-----------------|--------------------|------------------|-------------|-------------|-------------|-------------|-------------|-------------|-------------|-------------|-----------|
| 1 | AYG8912 | HOLDER-JERRYCAN-LH | | 1 | 1 | | | | | | | |
| 2 | FN110041 | NUT | 5310-66-098-4403 | 4 | 4 | | | | | | | |
| 3 | WL110001L | WASHER-LOCK | 5310-99-138-9228 | 4 | 4 | | | | | | | |
| 4 | SH110251L | SCREW | 5305-99-122-4910 | 4 | 4 | | | | | | | |
| 5 | AYG8666 | BELT ASSY-JERRYCAN | 8305-66-013-3229 | 1 | 1 | | | | | | | |
| 6 | NY105041L | NUT-NYLOC | 5310-99-122-5494 | 2 | 2 | | | | | | | |
| 7 | R395143 | STAPLE | 2540-99-824-6204 | 1 | 1 | | | | | | | |
| 8 | WA105001L | WASHER-PLAIN | 5310-99-122-3032 | 2 | 2 | | | | | | | |
| 9 | BH105067L | BOLT | 5306-99-122-5241 | 2 | 2 | | | | | | | |

CHANGE POINT

ARN INTRODUCTION

GROUP SQM/3



**JERRYCAN STORAGE
- CREW CAB ONLY**

PERENTIE LAND ROVER PARTS LIST

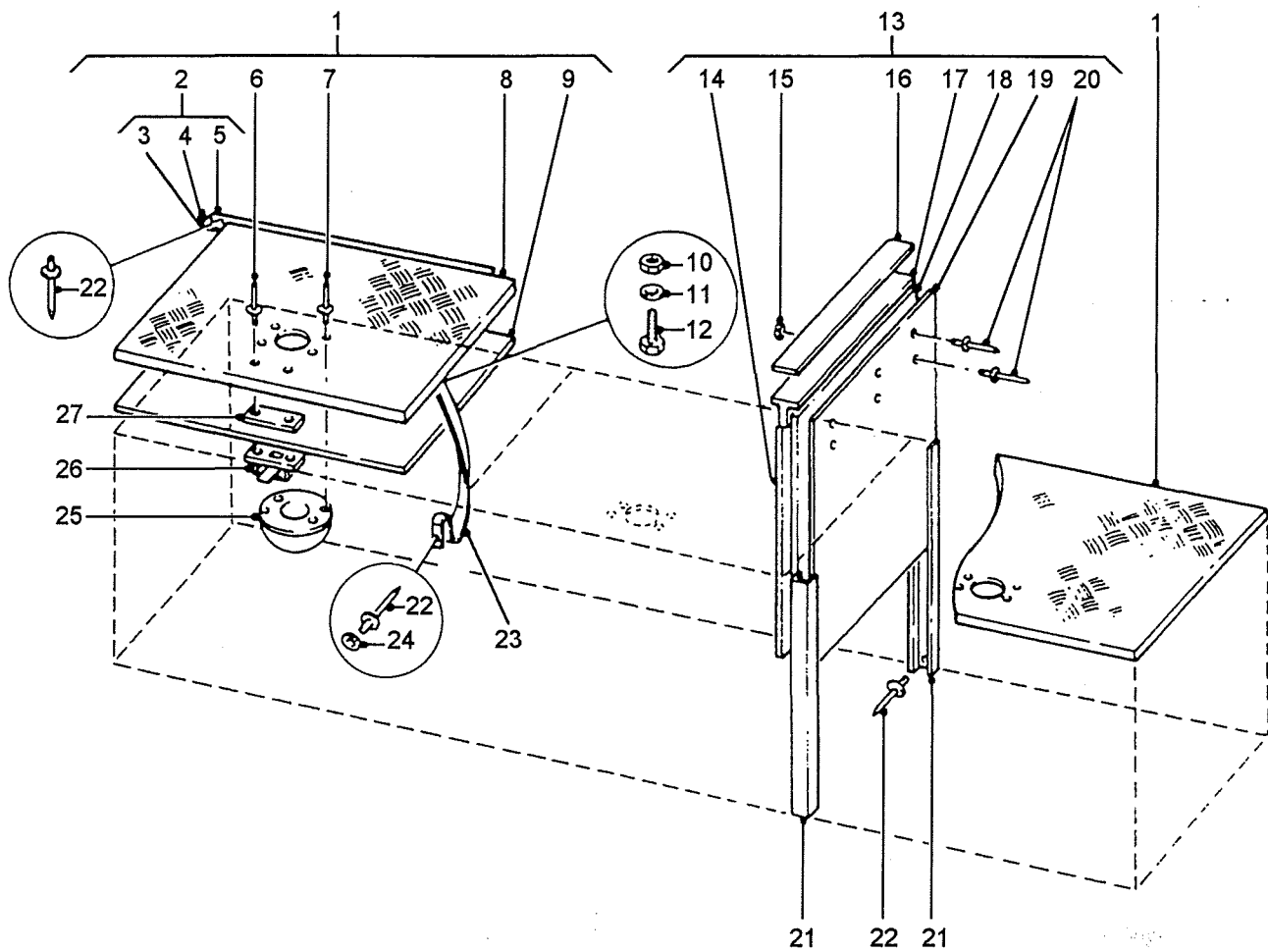
SQM /3/1 JERRYCAN STOWAGE - CREW CAB ONLY

DERIVATIVE CODE

| <u>ITEM</u> | <u>PART NO.</u> | <u>DESCRIPTION</u> | <u>NSN</u> | <u>2185</u> | <u>2186</u> | <u>2208</u> | <u>2209</u> | <u>2210</u> | <u>2211</u> | <u>2212</u> | <u>2219</u> | <u>CP</u> |
|-------------|-----------------|---------------------------|------------------|-------------|-------------|-------------|-------------|-------------|-------------|-------------|-------------|-----------|
| 1 | SE106251 | SCREW | 5305-99-135-0442 | | | | | | | | | 2 |
| 2 | HYG6092 | STRAP -JERRYCAN HOLDER | | | | | | | | | | 2 |
| 3 | NSS | | | | | | | | | | | |
| 4 | NSS | | | | | | | | | | | |
| 5 | HYG6093 | TRAY-STOWAGE -JERRYCAN | | | | | | | | | | 1 |
| 6 | SE105351 | SCREW | 5305-99-641-7463 | | | | | | | | | 4 |
| 7 | R395143 | STAPLE | 2540-99-824-6204 | | | | | | | | | 2 |
| 8 | NY105041L | NUT-NYLOC | 5310-99-122-5494 | | | | | | | | | 4 |
| 9 | WA105001L | WASHER-PLAIN | 5310-99-122-3032 | | | | | | | | | 4 |
| 10 | NY106041L | NUT-NYLOC | 5310-99-138-8423 | | | | | | | | | 2 |
| 11 | WA106041L | WASHER-PLAIN | 5310-66-098-4440 | | | | | | | | | 2 |

CHANGE POINT

ARN INTRODUCTION

GROUP SQM/4

**FRONT & REAR STORAGE BIN LIDS & DIVIDERS
- REAR BODY - LRPV ONLY**

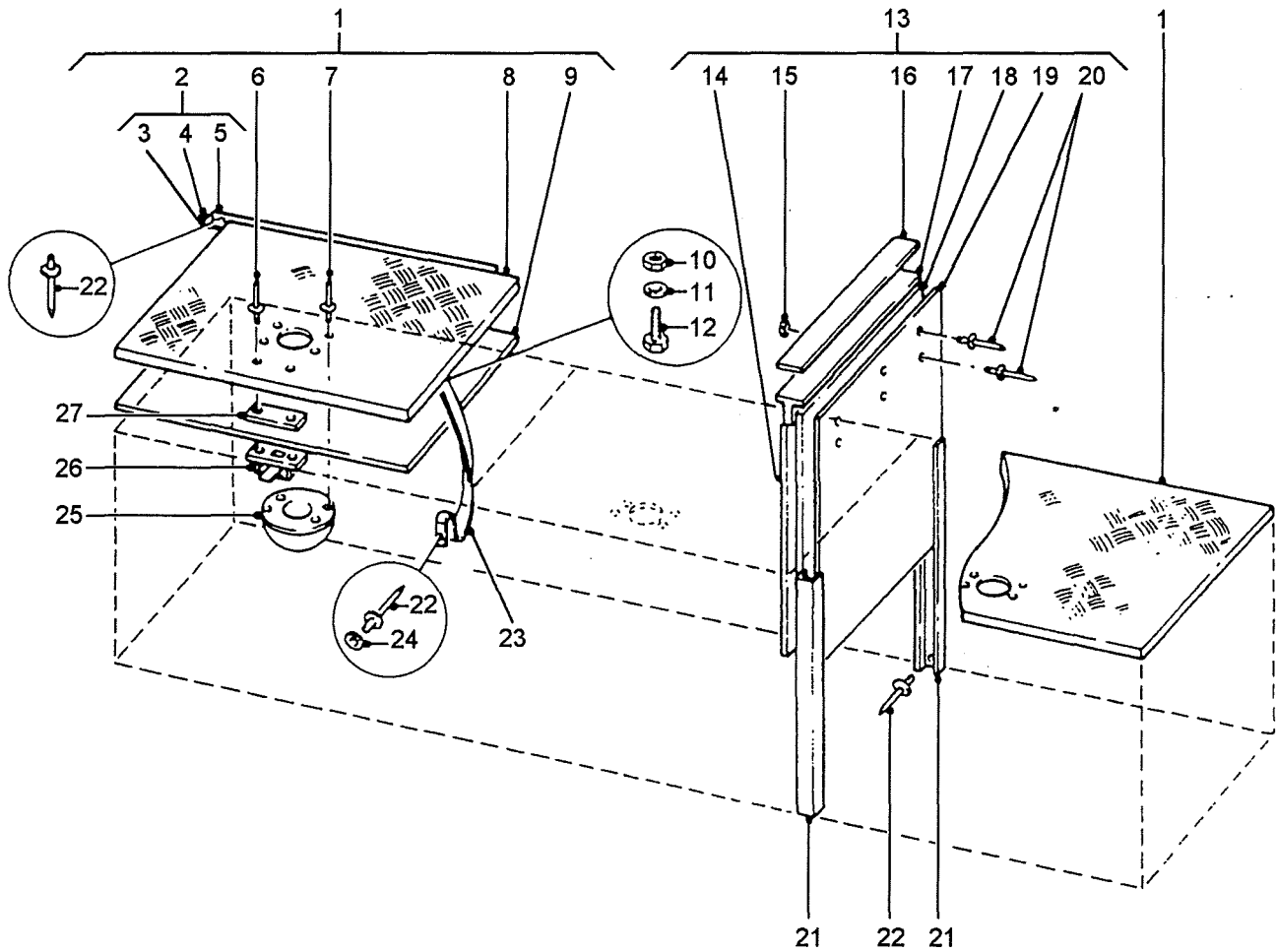
PERENTIE LAND ROVER PARTS LIST

SQM /4/1 FRONT & REAR STOWAGE BIN LIDS & DIVIDERS - REAR BODY - LRPV ONLY

DERIVATIVE CODE

| <u>ITEM</u> | <u>PART NO.</u> | <u>DESCRIPTION</u> | <u>NSN</u> | <u>2185</u> | <u>2186</u> | <u>2208</u> | <u>2209</u> | <u>2210</u> | <u>2211</u> | <u>2212</u> | <u>2219</u> | <u>CP</u> |
|-------------|-----------------|--|------------------|-------------|-------------|-------------|-------------|-------------|-------------|-------------|-------------|-----------|
| 1 | HYG4081 | LID ASSY-COVER-REAR BODY STOWAGE | | | | | | | | | | 5 |
| | HYG5817 | LID ASSY-COVER-REAR BODY STOWAGE | | | | | | | | | | 1 |
| | HYG5693 | LID ASSY-COVER-FRONT-REAR BODY STOWAGE | | | | | | | | | | 2 |
| | HYG5698 | SEAL-COVER-LID-REAR BODY STOWAGE-FRONT | 9320-66-128-6361 | | | | | | | | | 2 |
| | HYG5656 | STRIP-CLAMPING-SEAL | | | | | | | | | | 2 |
| | RU612373L | POP RIVET-CLAMP STRIP AND SEAL TO ROLL CAGE | 5320-99-120-9002 | | | | | | | | | 8 |
| 2 | HYG4078 | HINGE-LID-REAR BODY STOWAGE | 5340-66-128-6358 | | | | | | | | | 6 |
| | HYG4202 | HINGE-LID-FRONT-REAR BODY STOWAGE | 5340-66-128-6362 | | | | | | | | | 2 |
| 3 | NSS | | | | | | | | | | | |
| 4 | NSS | | | | | | | | | | | |
| 5 | NSS | | | | | | | | | | | |
| 6 | AFU1298 | MONOBOLT | 5320-66-128-5186 | | | | | | | | | 16 |
| 7 | RU612373L | POP RIVET | 5320-99-120-9002 | | | | | | | | | 38 |
| 8 | NSS | | | | | | | | | | | |
| 9 | HYG4219 | MAT-UNDERLAY-COVER LID-REAR | 9320-66-128-6359 | | | | | | | | | 6 |
| | HYG5691 | MAT-UNDERLAY-COVER LID-FRONT | 9320-66-128-6363 | | | | | | | | | 2 |
| 10 | NY105041L | NUT-NYLOC | 5310-99-122-5494 | | | | | | | | | 6 |
| 11 | WJ105001L | WASHER-PLAIN | 5310-66-128-4726 | | | | | | | | | 12 |
| 12 | SE105201L | SCREW | 5305-66-128-4766 | | | | | | | | | 6 |
| 13 | HYG5683 | PANEL ASSY-PARTITION | | | | | | | | | | 4 |

GROUP SQM/4



**FRONT & REAR STORAGE BIN LIDS & DIVIDERS
- REAR BODY - LRPV ONLY**

PERENTIE LAND ROVER PARTS LIST

SQM /4/1 FRONT & REAR STOWAGE BIN LIDS & DIVIDERS - REAR BODY - LRPV ONLY

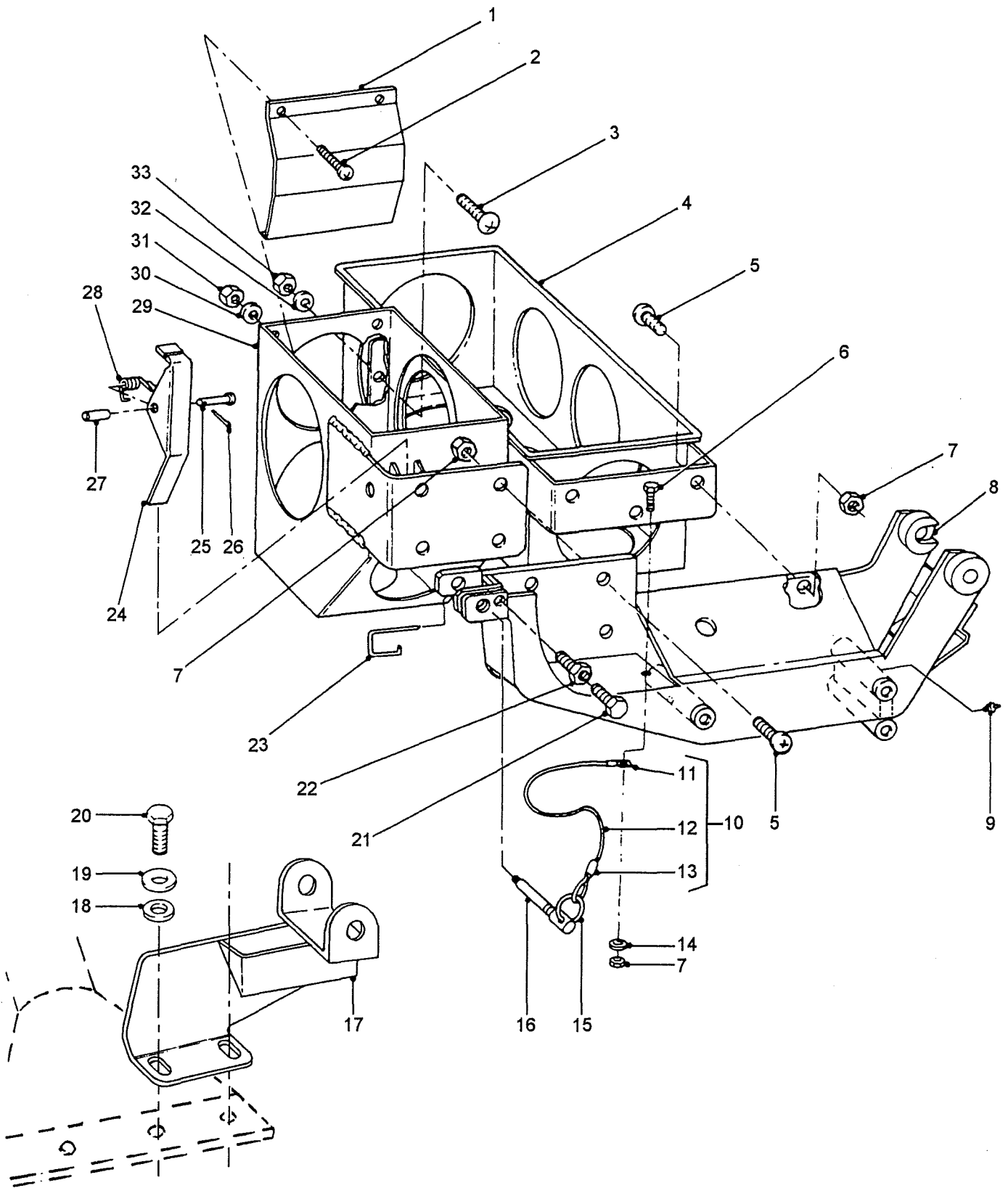
DERIVATIVE CODE

| <u>ITEM</u> | <u>PART NO.</u> | <u>DESCRIPTION</u> | <u>NSN</u> | <u>2185</u> | <u>2186</u> | <u>2208</u> | <u>2209</u> | <u>2210</u> | <u>2211</u> | <u>2212</u> | <u>2219</u> | <u>CP</u> |
|-------------|-----------------|---|------------------|-------------|-------------|-------------|-------------|-------------|-------------|-------------|-------------|-----------|
| 14 | NSS | | | | | | | | | | | |
| 15 | WA105001L | WASHER-PLAIN | 5310-99-122-3032 | | | | | | | | | 12 |
| 16 | MYH5361/340 | SEALING-FOAM | | | | | | | | | | 4 |
| 17 | HYG4199 | STRIP-TEE | | | | | | | | | | 4 |
| 18 | NSS | | | | | | | | | | | |
| 19 | NSS | | | | | | | | | | | |
| 20 | RA612373L | POP RIVET | 5320-66-128-4635 | | | | | | | | | 24 |
| 21 | HYG4196 | RETAINER-BIN DIVIDER | | | | | | | | | | 8 |
| | HYG4209 | RETAINER-PARTITION PANEL-STORAGE | | | | | | | | | | 8 |
| 22 | RA612253L | POP RIVET-RETAINER TO REAR BODY | 5320-66-128-5117 | | | | | | | | | 40 |
| | RJ612256 | POP RIVET-RETAINER TO REAR BODY | 5320-66-128-6328 | | | | | | | | | 8 |
| | RA612253L | POP RIVET-COVER LID TO REAR BODY | 5320-66-128-5117 | | | | | | | | | 14 |
| | R78248 | POP RIVET-COVER LID TO REAR BODY | 5320-99-970-3518 | | | | | | | | | 42 |
| 23 | HYG4146 | STRAP-COVER LID TO REAR BODY | 5340-66-128-6360 | | | | | | | | | 6 |
| 24 | WJ105001L | WASHER-PLAIN | 5310-66-128-4726 | | | | | | | | | 6 |
| 25 | HYG3950 | CAP PLATE-COVER LID | | | | | | | | | | 8 |
| 26 | HYG3080 | BUDGET LOCK-DOOR | 2540-66-128-5165 | | | | | | | | | 8 |
| 27 | HYG4156 | SPACER | | | | | | | | | | 8 |
| | HYG4101 | MAT-DEBOGGING -STOWAGE BINS | | | | | | | | | | 4 |
| | HYG5801 | PLATE-MOUNTING -IDENTIFICATION LABELS | | | | | | | | | | 1 |
| | R78248 | POP RIVET-MOUNTING PLATE TO LOCKER LID | 5320-99-970-3518 | | | | | | | | | 6 |

CHANGE POINT

ARN INTRODUCTION

Nov 1995

GROUP SQN/1 SHEET 1

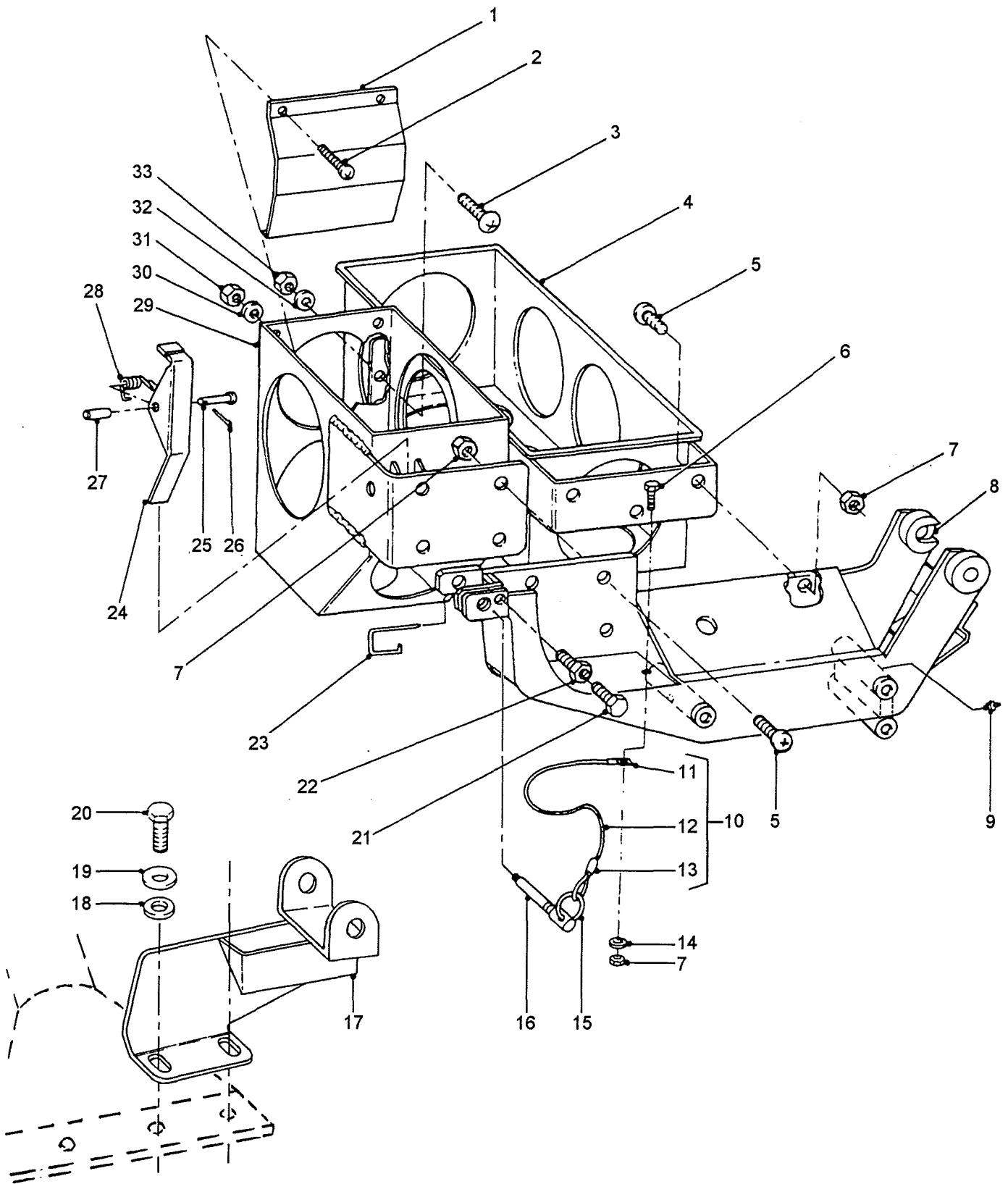
**FRONT AND REAR MACHINE GUN CRADLE
AND MOUNTING – LRPV ONLY**

PERENTIE LAND ROVER PARTS LIST

SQN /1/1 FRONT AND REAR MACHINE GUN CRADLE AND MOUNTING -LRPV ONLY

DERIVATIVE CODE

| ITEM | PART NO. | DESCRIPTION | NSN | 2185 | 2186 | 2208 | 2209 | 2210 | 2211 | 2212 | 2219 | CP |
|------|-----------|---|--------------------------|------|------|------|------|------|------|------|------|----|
| 1 | HYG5742 | SPRING-LEAF-AMMO BOX HOLDER | (2) ✓ | | | | | | | | | 2 |
| 2 | SE105121L | SCREW | 5305-99-135-0429 | | | | | | | | | 4 |
| 3 | SE104121L | SCREW | | | | | | | | | | 4 |
| 4 | HYG4082 | HOLDER-AMMUNITION | (3) ✓ | | | | | | | | | 2 |
| 5 | SE106161L | SCREW | 5305-99-135-0440 | | | | | | | | | 14 |
| 6 | SH106121L | SCREW | 5305-99-122-5359 | | | | | | | | | 2 |
| 7 | NY106041L | NUT-NYLOC | 5310-99-138-8423 | | | | | | | | | 14 |
| 8 | HYG3799 | MOUNTING-GUNS | (NIL) ✓ | | | | | | | | | 2 |
| 9 | LN010091 | NIPPLE-GREASE | 4730-66-128-6365 | | | | | | | | | 1 |
| 10 | MYH3523 | CORD-RETAINER (INCL. ITEMS 11-13) | (34) ✓ 4020-66-128-6366 | | | | | | | | | 2 |
| 11 | NSS | | | | | | | | | | | |
| 12 | NSS | | | | | | | | | | | |
| 13 | NSS | | | | | | | | | | | |
| 14 | WA106041L | WASHER-PLAIN | 5310-66-098-4440 | | | | | | | | | 2 |
| 15 | MYH2679 | RING/RETAINER | C | | | | | | | | | 2 |
| 16 | HYG4211 | PIN-LOCKING | (23) ✓ | | | | | | | | | 2 |
| 17 | HYG6510 | TRAVEL SUPPORT -WEAPON | NOF | | | | | | | | | 1 |
| 18 | WA110061L | WASHER-PLAIN | 5310-99-122-6471 | | | | | | | | | 2 |
| 19 | WL110001L | WASHER-LOCK | 5310-99-138-9228 | | | | | | | | | 2 |
| 20 | BH110101L | BOLT-TRAVEL SUPPORT TO ROLL CAGE FRONT LEG | | | | | | | | | | 2 |
| 21 | R257194 | SCREW | c 5305-99-138-0316 | | | | | | | | | 2 |
| 22 | R356225 | RETAINER | c 2590-99-825-6034 | | | | | | | | | 2 |
| 23 | HYG5667 | SPRING | (498) ✓ 5360-66-128-6368 | | | | | | | | | 2 |
| 24 | HYG3937 | LEVER-CATCH | (2) 5340-66-128-6369 | | | | | | | | | 2 |
| 25 | PC105561 | PIN-CLEVIS | c 5315-66-128-6370 | | | | | | | | | 2 |
| 26 | PS103101L | SPLIT PIN | c 5315-99-282-2094 | | | | | | | | | 2 |

GROUP SQN/1 SHEET 1

**FRONT AND REAR MACHINE GUN CRADLE
AND MOUNTING - LRPV ONLY**

PERENTIE LAND ROVER PARTS LIST

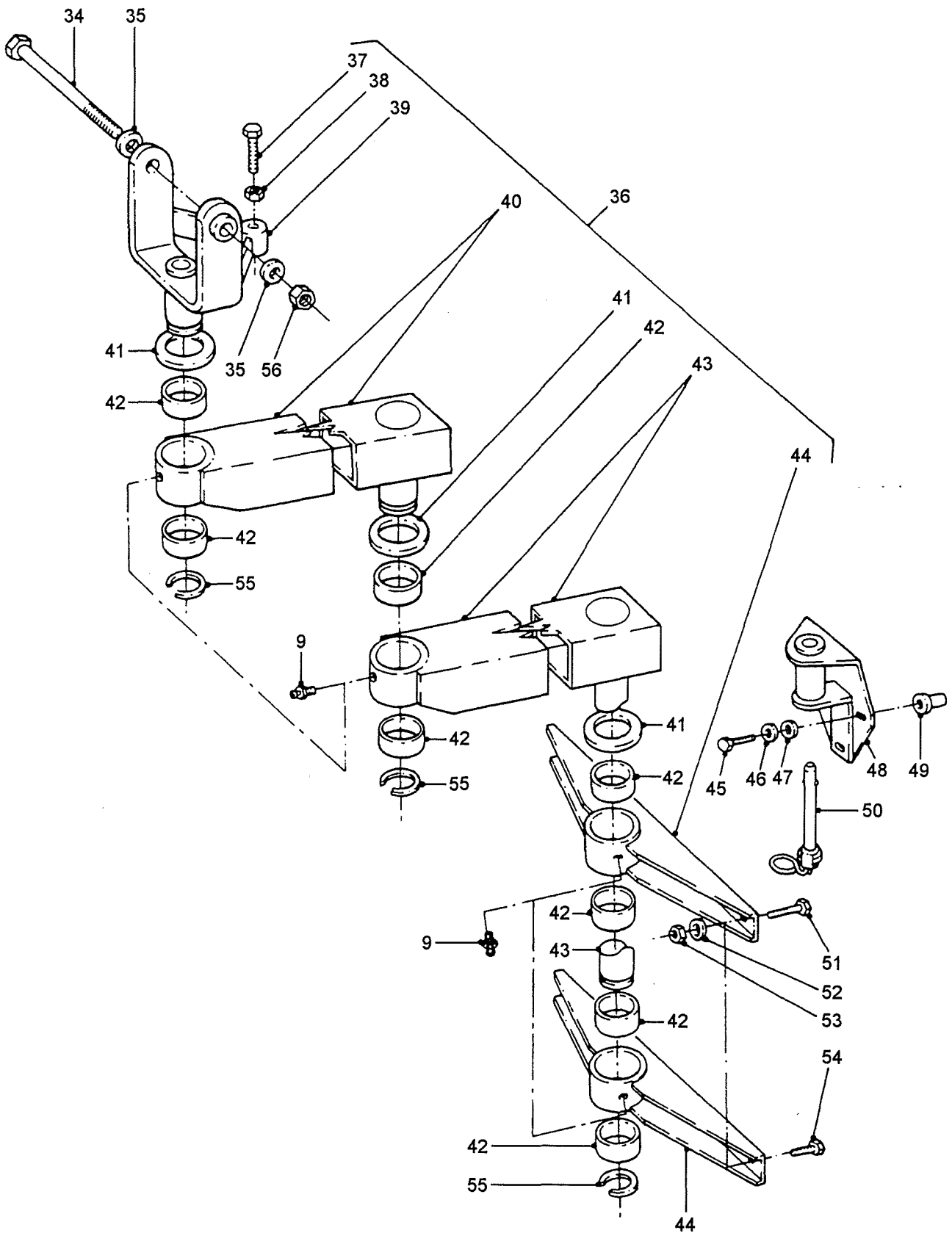
SQN /1/1 FRONT AND REAR MACHINE GUN CRADLE AND MOUNTING -LRPV ONLY
DERIVATIVE CODE

| <u>ITEM</u> | <u>PART NO.</u> | <u>DESCRIPTION</u> | <u>NSN</u> | <u>2185</u> | <u>2186</u> | <u>2208</u> | <u>2209</u> | <u>2210</u> | <u>2211</u> | <u>2212</u> | <u>2219</u> | <u>CP</u> |
|-------------|-----------------|---------------------|------------------|-------------|-------------|-------------|-------------|-------------|-------------|-------------|-------------|-----------|
| 27 | HYG3939 | SLEEVE TUBE ✓ | 3120-66-128-6371 | (NIC) | | | | | | | | 2 |
| 28 | HYG3940 | SPRING ✓ | 5360-66-128-6367 | (2) | | | | | | | | 2 |
| 29 | HYG3920 | HOLDER-AMMUNITION ✓ | | (2) | | | | | | | | 2 |
| 30 | WA105001L | WASHER-PLAIN | 5310-99-122-3032 | | | | | | | | | 4 |
| 31 | NY105041L | NUT-NYLOC | 5310-99-122-5494 | | | | | | | | | 4 |
| 32 | WC104001L | WASHER-PLAIN | | | | | | | | | | 4 |
| 33 | NY104041L | NUT-NYLOC | 5310-99-119-3324 | | | | | | | | | 4 |

CHANGE POINT

ARN INTRODUCTION

GROUP SQN/1 SHEET 2



**FRONT AND REAR MACHINE GUN CRADLE
AND MOUNTING - LRPV ONLY - CONTINUED**

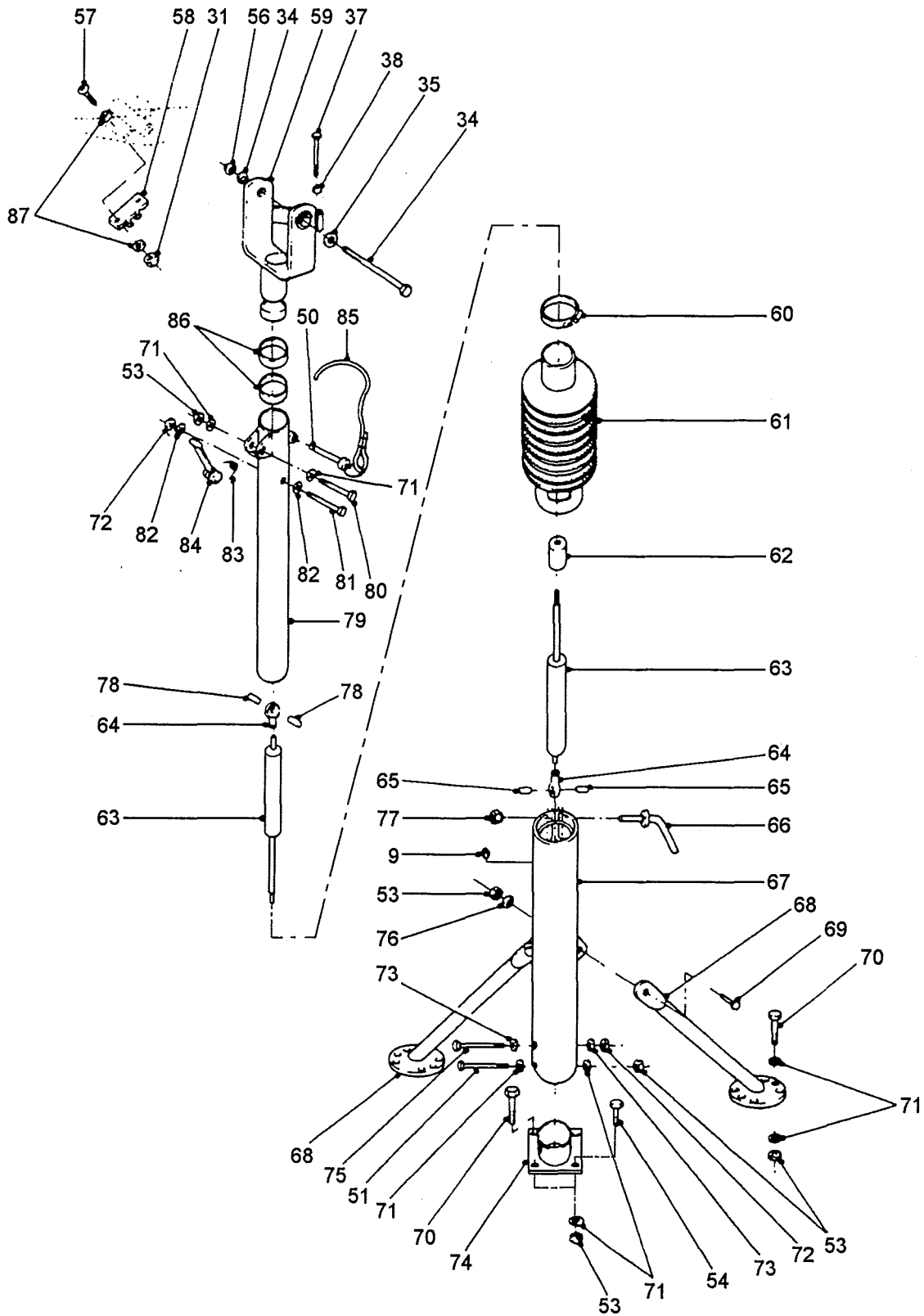
PERENTIE LAND ROVER PARTS LIST

| ITEM | PART NO. | DESCRIPTION | NSN | DERIVATIVE CODE | | | | | | | | |
|------|-------------|---|------------------|-----------------|------|------|------|------|------|------|------|----|
| | | | | 2185 | 2186 | 2208 | 2209 | 2210 | 2211 | 2212 | 2219 | CP |
| 9 | LN010091 | NIPPLE-GREASE | 4730-66-128-6365 | | | | | | | | | 4 |
| 34 | BH112221 | BOLT | | | | | | | | | | 1 |
| 35 | WA112081L | WASHER-PLAIN | 5310-99-122-6477 | | | | | | | | | 1 |
| 36 | HYG4150 | MOUNTING ASSY-WEAPON-DASH (INCL ITEMS 9, 33 - 40, 51) | | | | | | | | | | 1 |
| 37 | HYG5848 | SCREW | | (98) ✓ | | | | | | | | 1 |
| | MYH5325/180 | WIRE-LOCKING | | NOT | | | | | | | | 2 |
| 38 | HYG5704 | LOCKNUT | | (1) ✓ | | | | | | | | 1 |
| 39 | HYG5670 | FORK-SHORT ARM | | (1) ✓ | | | | | | | | 1 |
| 40 | HYG4084 | ARM-PIVOT-SHORT | | (1) ✓ | | | | | | | | 1 |
| 41 | MYH3517 | WASHER-THRUST | 3120-99-802-2156 | (16 + 83) | | | | | | | | 3 |
| 42 | MYH3516 | BUSH | 3120-66-128-6372 | (38) | | | | | | | | 8 |
| 43 | HYG6456 | ARM-PIVOT-LONG | | NIL | | | | | | | | 1 |
| 44 | HYG4086 | BLOCK-PIVOT | | (2) | | | | | | | | 2 |
| 45 | FS108301 | SCREW | 5305-99-122-5368 | | | | | | | | | 3 |
| 46 | WL108001L | WASHER-LOCK | 5310-99-138-9227 | | | | | | | | | 3 |
| 47 | WJ108001 | WASHER-PLAIN | 5310-12-154-2190 | | | | | | | | | 3 |
| 48 | HYG4147 | POST-LOCK | | (1) | | | | | | | | 1 |
| 49 | MM108301 | RIVNUT | 5310-99-772-5133 | | | | | | | | | 3 |
| 50 | MYH3526 | PIN-QUICK RELEASE | 5340-99-970-8579 | Com | | | | | | | | 1 |
| 51 | BH110151 | BOLT | | | | | | | | | | 2 |
| 52 | WC110061L | WASHER-PLAIN | 5310-66-128-4614 | | | | | | | | | 4 |
| 53 | NY110041L | NUT-NYLOC | 5310-99-122-5497 | | | | | | | | | 4 |
| 54 | SH110251L | SCREW | 5305-99-122-4910 | | | | | | | | | 2 |
| 55 | CR120255 | CIRCLIP | | 47 C | | | | | | | | 3 |
| 56 | NY112041L | NUT-NYLOC | 5310-99-768-7269 | | | | | | | | | 1 |

CHANGE POINT

ARN INTRODUCTION

GROUP SQN/1 SHEET 3



FRONT AND REAR MACHINE GUN CRADLE AND MOUNTING – LRPV ONLY – CONTINUED

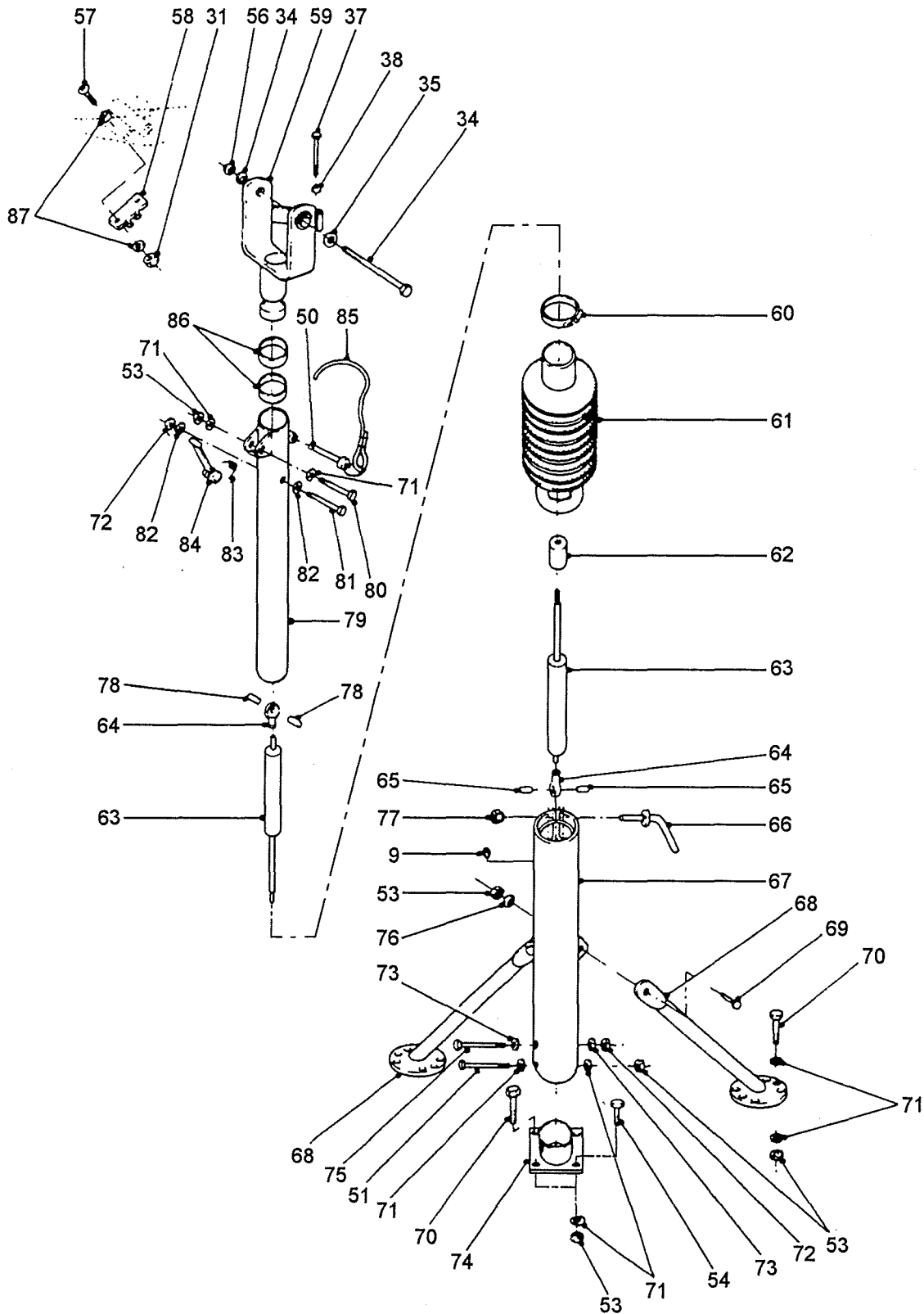
PERENTIE LAND ROVER PARTS LIST

SQN /1/3 FRONT AND REAR MACHINE GUN CRADLE AND MOUNTING - LRPV ONLY

DERIVATIVE CODE

| <u>ITEM</u> | <u>PART NO.</u> | <u>DESCRIPTION</u> | <u>NSN</u> | <u>2185</u> | <u>2186</u> | <u>2208</u> | <u>2209</u> | <u>2210</u> | <u>2211</u> | <u>2212</u> | <u>2219</u> | <u>CP</u> |
|-------------|-----------------|-------------------------|------------------|-------------|-------------|-------------|-------------|-------------|-------------|-------------|-------------|-----------|
| 9 | LN010091 | NIPPLE-GREASE | 4730-66-128-6365 | | | | | | | | | 4 |
| 31 | NY105041L | NUT-NYLOC | 5310-99-122-5494 | | | | | | | | | 2 |
| 34 | BH112221 | BOLT | | | | | | | | | | 1 |
| 35 | WA112081L | WASHER-PLAIN | 5310-99-122-6477 | | | | | | | | | 1 |
| 37 | HYG5848 | SCREW (??) | | | | | | | | | | 1 |
| 38 | HYG5704 | LOCKNUT (1) | | | | | | | | | | 1 |
| 50 | MYH3526 | PIN-QUICK RELEASE (c?) | 5340-99-970-8579 | | | | | | | | | 1 |
| 51 | BH110151 | BOLT | | | | | | | | | | 1 |
| 53 | NY110041L | NUT-NYLOC | 5310-99-122-5497 | | | | | | | | | 11 |
| 54 | BH110251L | SCREW | 5305-99-122-4910 | | | | | | | | | 2 |
| 56 | NY112041L | NUT-NYLOC | 5310-99-768-7269 | | | | | | | | | 1 |
| 57 | SE105201L | SCREW | 5305-66-128-4766 | | | | | | | | | 2 |
| 58 | MYH3386 | CLIP-ARM - c | 5340-66-128-5508 | | | | | | | | | 1 |
| 59 | AYG8889 | FORK ASSY - (3) | | | | | | | | | | 1 |
| 60 | CJ600444 | CLAMP-HOSE | 4730-66-058-3139 | | | | | | | | | 2 |
| 61 | AYG8162 | SEAL (1) | 5340-66-128-6373 | | | | | | | | | 1 |
| 62 | HYG4057 | COUPLING-GAS STRUTS (1) | 5310-66-128-6374 | | | | | | | | | 1 |
| 63 | HYG4064 | STRUT-GAS (1) | 2590-66-128-6375 | | | | | | | | | 2 |
| 64 | HYG4073 | ROD END-STRUTS (1) | 5340-66-128-6376 | | | | | | | | | 2 |
| 65 | HYG4072 | SPACER-LOWER M/L | 5365-66-128-6377 | | | | | | | | | 2 |
| 66 | YYG8152 | HANDLE-CLAMP M/L | | | | | | | | | | 1 |
| 67 | AYG8887 | TUBE-OUTER (1) | | | | | | | | | | 1 |
| 68 | AYG8179 | STAY-SUPPORT (2) | | | | | | | | | | 2 |
| 69 | SH110251L | SCREW | 5305-99-122-4910 | | | | | | | | | 2 |
| 70 | BH110121L | BOLT | 5305-99-122-8668 | | | | | | | | | 6 |
| 71 | WA110061L | WASHER-PLAIN | 5310-99-122-6476 | | | | | | | | | 14 |
| 72 | NY108041L | NUT-NYLOC | 5310-99-122-5496 | | | | | | | | | 2 |
| 73 | WA108051L | WASHER-PLAIN | 5310-99-122-6475 | | | | | | | | | 2 |
| 74 | AYG8155 | MOUNTING-FLOOR (M/S) | | | | | | | | | | 1 |

GROUP SQN/1 SHEET 3



FRONT AND REAR MACHINE GUN CRADLE AND MOUNTING - LRPV ONLY - CONTINUED

PERENTIE LAND ROVER PARTS LIST

SQN /1/3 FRONT AND REAR MACHINE GUN CRADLE AND MOUNTING - LRPV ONLY

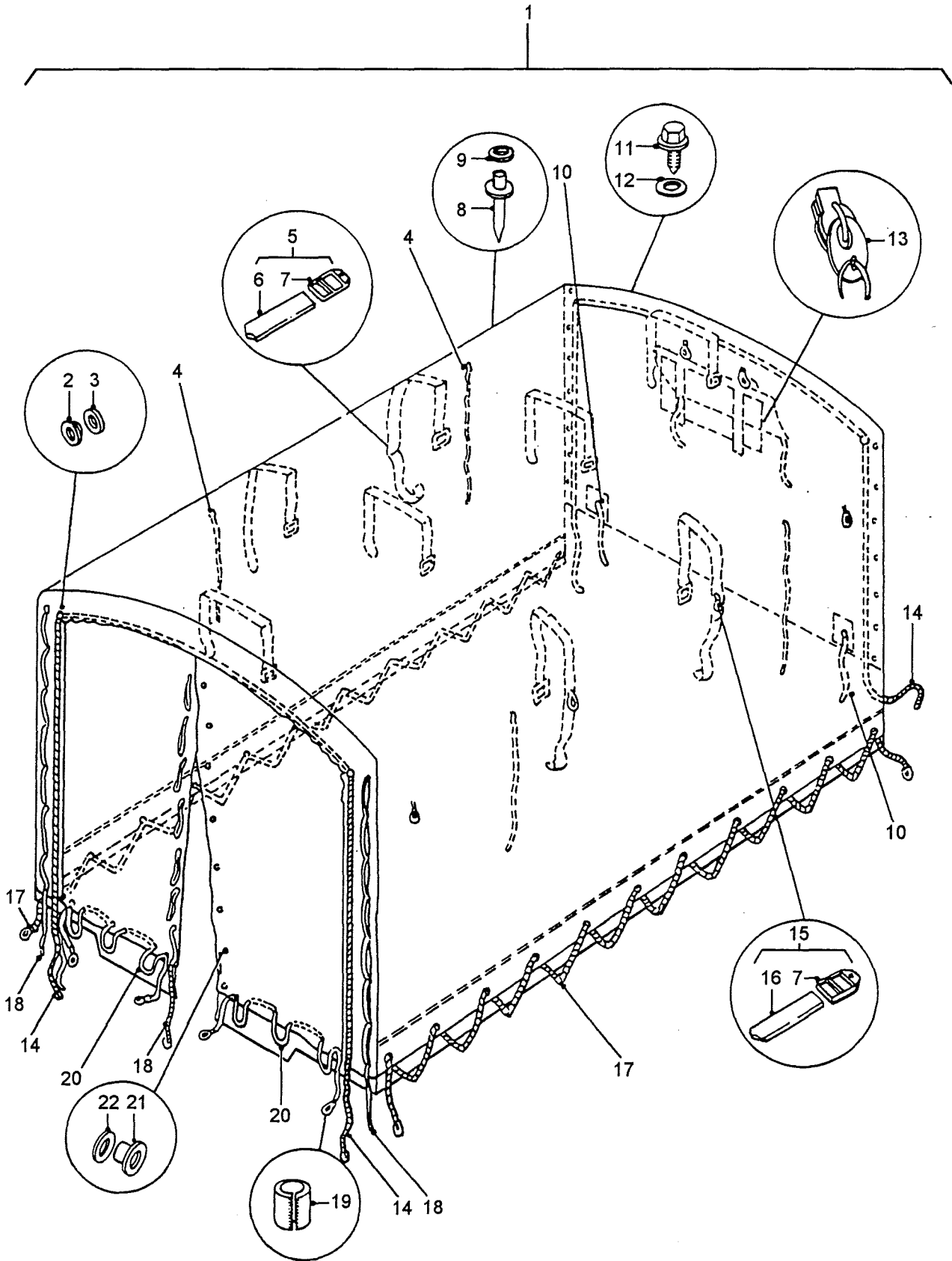
DERIVATIVE CODE

| <u>ITEM</u> | <u>PART NO.</u> | <u>DESCRIPTION</u> | <u>NSN</u> | <u>2185</u> | <u>2186</u> | <u>2208</u> | <u>2209</u> | <u>2210</u> | <u>2211</u> | <u>2212</u> | <u>2219</u> | <u>CP</u> |
|-------------|-----------------|---|------------------|-------------|-------------|-------------|-------------|-------------|-------------|-------------|-------------|-----------|
| 75 | BH108151L | BOLT | | | | | | | | | | 1 |
| 76 | WA110061L | WASHER-PLAIN | 5310-99-122-6476 | | | | | | | | | 2 |
| 77 | 90577473 | NUT-CLAMP HANDLE - C | 5310-99-819-1858 | | | | | | | | | 1 |
| 78 | HYG4071 | SPACER-UPPER <i>nl</i> | 5365-66-128-6378 | | | | | | | | | 2 |
| 79 | AYG8888 | POST-INNER <i>nl</i> | | | | | | | | | | 1 |
| 80 | BH110141 | BOLT | | | | | | | | | | 1 |
| 81 | FB108141 | BOLT | 5306-99-122-5259 | | | | | | | | | 1 |
| 82 | WA108051L | WASHER-PLAIN | 5310-99-122-6475 | | | | | | | | | 2 |
| 83 | BYG5311 | SPRING-TORSION <i>(1)</i> | 5360-66-128-6379 | | | | | | | | | 1 |
| 84 | BYG5309 | ARM <i>(1)</i> | 5340-66-128-6380 | | | | | | | | | 1 |
| 85 | HYG4079 | CORD-RETAINER <i>(64)</i> | 4020-66-128-6311 | | | | | | | | | 1 |
| 86 | MYH3532 | BUSH-INNER POST-UPPER <i>nl</i> | 3120-12-146-6048 | | | | | | | | | 2 |
| 87 | WC105001L | WASHER-PLAIN | 5310-99-122-3032 | | | | | | | | | 4 |
| | HYG4184 | COVER-CANVAS-MACHINE <i>(4)</i> GUN MTG. | | | | | | | | | | 2 |

CHANGE POINT

ARN INTRODUCTION

GROUP SR/1



**CANOPY ASSEMBLY
- CARGO & AIR DEFENCE VEHICLES**

PERENTIE LAND ROVER PARTS LIST

SR /1/1

CANOPY ASSEMBLY - CARGO & AIR DEFENCE VEHICLES

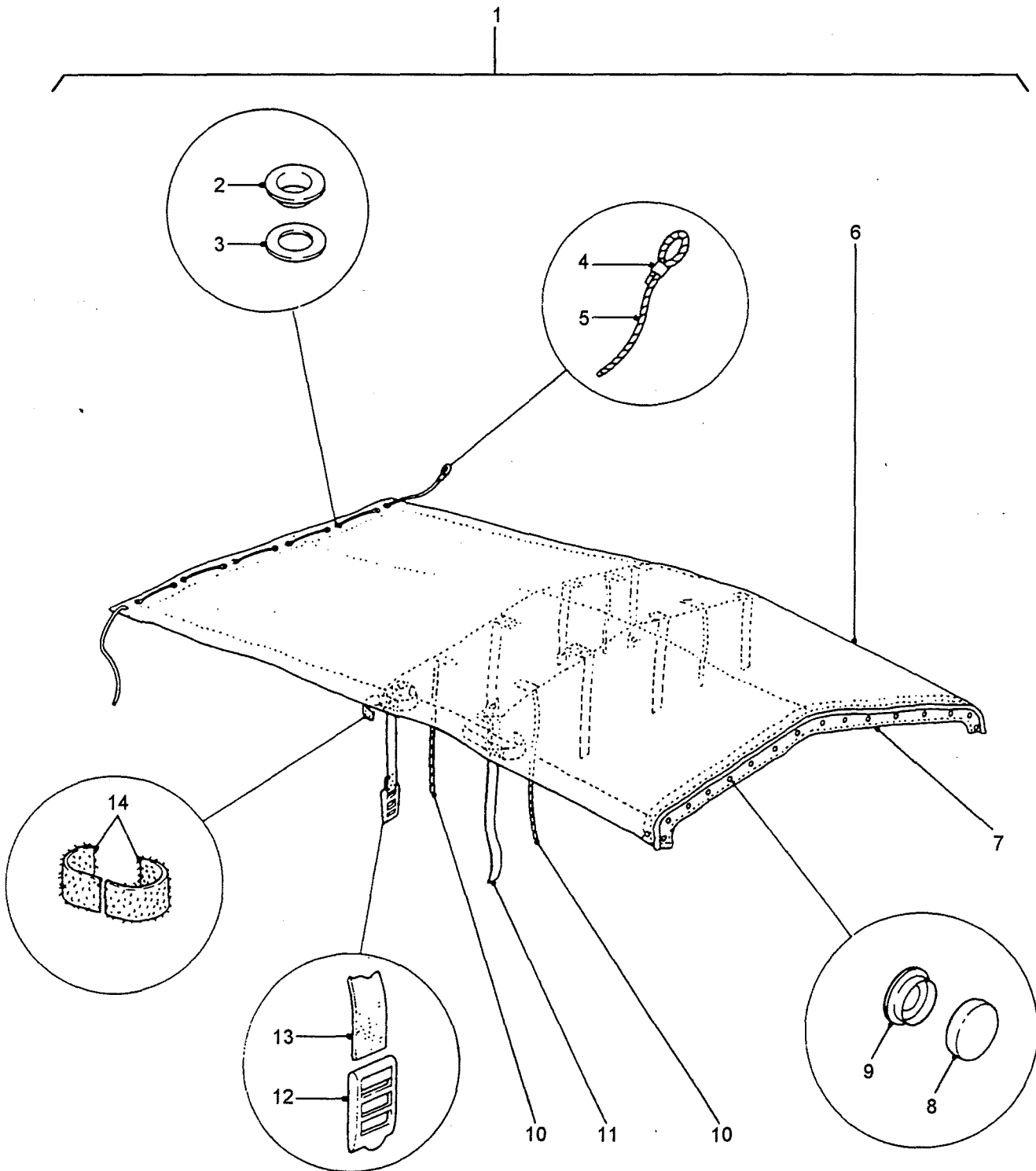
DERIVATIVE CODE

| ITEM | PART NO. | DESCRIPTION | NSN | DERIVATIVE CODE | | | | | | | | | | |
|------|-----------|------------------------------------|------------------|-----------------|------|------|------|------|------|------|------|----|----|---|
| | | | | 2185 | 2186 | 2208 | 2209 | 2210 | 2211 | 2212 | 2219 | CP | | |
| 1 | HYG3525 | CANOPY | | 1 | 1 | | | | | | | | | |
| | HYG6148 | CANOPY-CREW CAB ONLY | | | | | | | | | | | | 1 |
| | HYG4048 | CANOPY-AIR DEFENCE ONLY | 2540-66-128-5984 | | | | | | | | | | 1 | |
| 2 | MYH776 | EYELET | | 6 | 6 | | | | | | | 6 | 6 | |
| 3 | MYH777 | WASHER | | 6 | 6 | | | | | | | 6 | 6 | |
| 4 | NSS | | | | | | | | | | | | | |
| 5 | HYG3657 | BUCKLE ASSY (INCLUDES ITEMS 6 & 7) | 8305-66-128-5552 | 4 | 4 | | | | | | | 4 | 4 | |
| 6 | NSS | | | | | | | | | | | | | |
| 7 | NSS | | | | | | | | | | | | | |
| 8 | RU612373L | POP RIVET | 5320-99-120-9002 | 4 | 4 | | | | | | | 4 | 4 | |
| 9 | WC105001L | WASHER-PLAIN | 5310-99-122-3032 | 4 | 4 | | | | | | | 4 | 4 | |
| 10 | NSS | | | | | | | | | | | | | |
| 11 | MYH3337 | SCREW | 5305-66-128-5341 | 2 | 2 | | | | | | | 2 | 2 | |
| 12 | WA106041L | WASHER-PLAIN | 5310-66-098-4440 | 2 | 2 | | | | | | | 2 | 2 | |
| 13 | NSS | | | | | | | | | | | | | |
| 14 | NSS | | | | | | | | | | | | | |
| 15 | HYG3696 | BUCKLE/STRAP ASSY | 8305-66-128-5553 | 2 | 2 | | | | | | | 2 | 2 | |
| 16 | NSS | | | | | | | | | | | | | |
| 17 | NSS | | | | | | | | | | | | | |
| 18 | NSS | | | | | | | | | | | | | |
| 19 | NSS | | | | | | | | | | | | | |
| 20 | NSS | | | | | | | | | | | | | |
| 21 | MYH143 | EYELET | | 78 | 78 | | | | | | | 78 | 78 | |
| 22 | MYH144 | WASHER | | 78 | 78 | | | | | | | 78 | 78 | |

CHANGE POINT

ARN INTRODUCTION

GROUP SR/2



**CANOPY ASSEMBLY
- LRPV ONLY**

PERENTIE LAND ROVER PARTS LIST

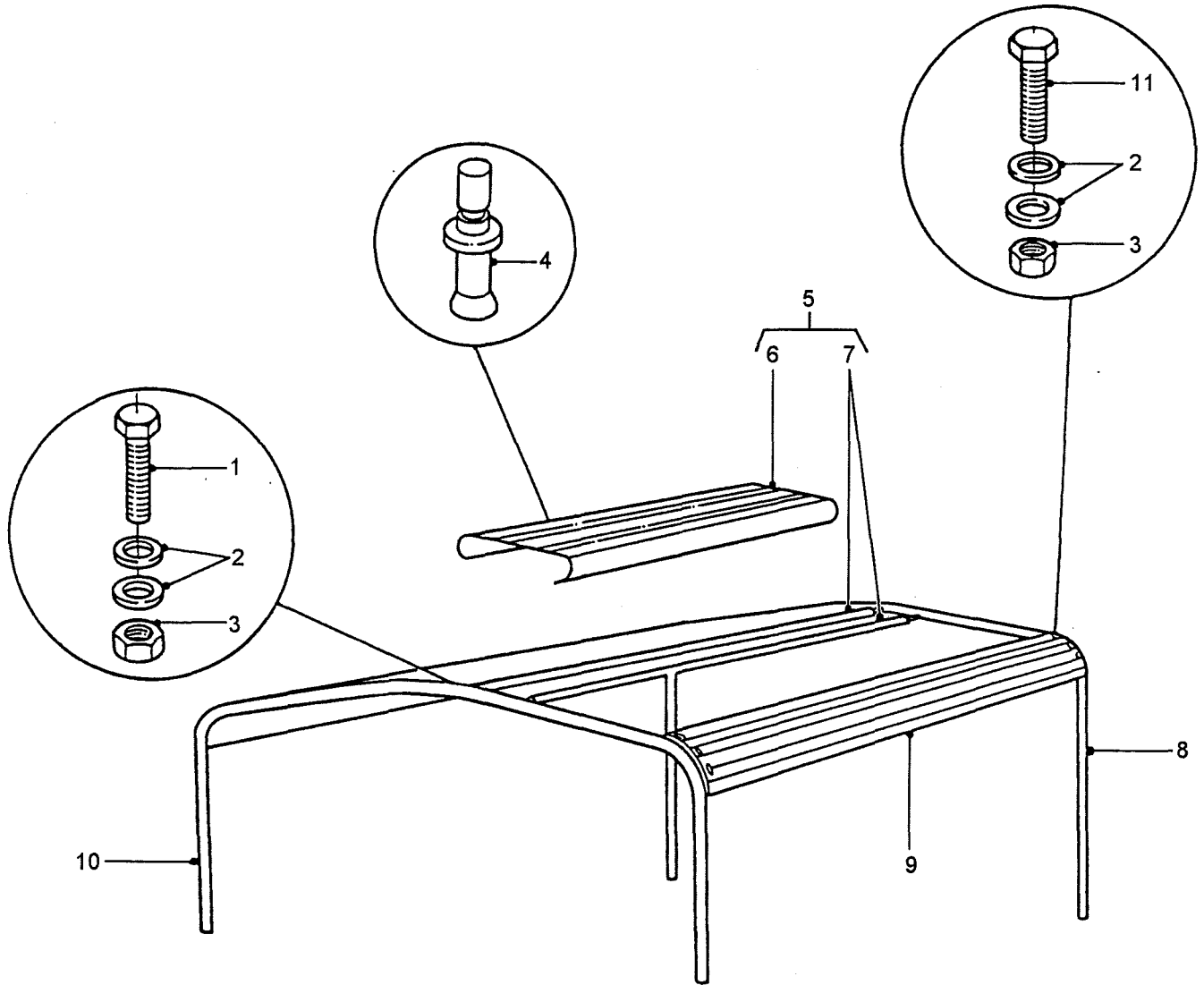
SR /2/1 CANOPY ASSEMBLY - LRPV ONLY

| <u>ITEM</u> | <u>PART NO.</u> | <u>DESCRIPTION</u> | <u>NSN</u> | <u>DERIVATIVE CODE</u> | | | | | | | | |
|-------------|-----------------|---|------------------|------------------------|-------------|-------------|-------------|-------------|-------------|-------------|-------------|-----------|
| | | | | <u>2185</u> | <u>2186</u> | <u>2208</u> | <u>2209</u> | <u>2210</u> | <u>2211</u> | <u>2212</u> | <u>2219</u> | <u>CP</u> |
| 1 | HYG3873 | CANOPY ASSY (INCLUDES ① ITEMS 2-14) | | | | | | | | | | 1 |
| 2 | MYH143 | EYELET | | | | | | | | | | 14 |
| 3 | MYH144 | WASHER | | | | | | | | | | 14 |
| 4 | NSS | | | | | | | | | | | |
| 5 | NSS | | | | | | | | | | | |
| 6 | NSS | | | | | | | | | | | |
| 7 | NSS | | | | | | | | | | | |
| 8 | NSS | | | | | | | | | | | |
| 9 | NSS | | | | | | | | | | | |
| 10 | NSS | | | | | | | | | | | |
| 11 | NSS | | | | | | | | | | | |
| 12 | NSS | | | | | | | | | | | |
| 13 | NSS | | | | | | | | | | | |
| 14 | NSS | | | | | | | | | | | |
| | MYH3273 | STUD-PRESS-CANOPY RETENTION | 5325-00-042-6710 | | | | | | | | | 17 |
| | RN610173 | POP RIVET-PRESS STUD TO WINDSCREEN FRAME | | | | | | | | | | 17 |

CHANGE POINT

ARN INTRODUCTION

GROUP SRA/1



**CANOPY BOWS AND WALKWAYS
- CARGO VARIANTS ONLY**

PERENTIE LAND ROVER PARTS LIST

SRA /1/1 CANOPY BOWS AND WALKWAY - CARGO VARIANTS ONLY

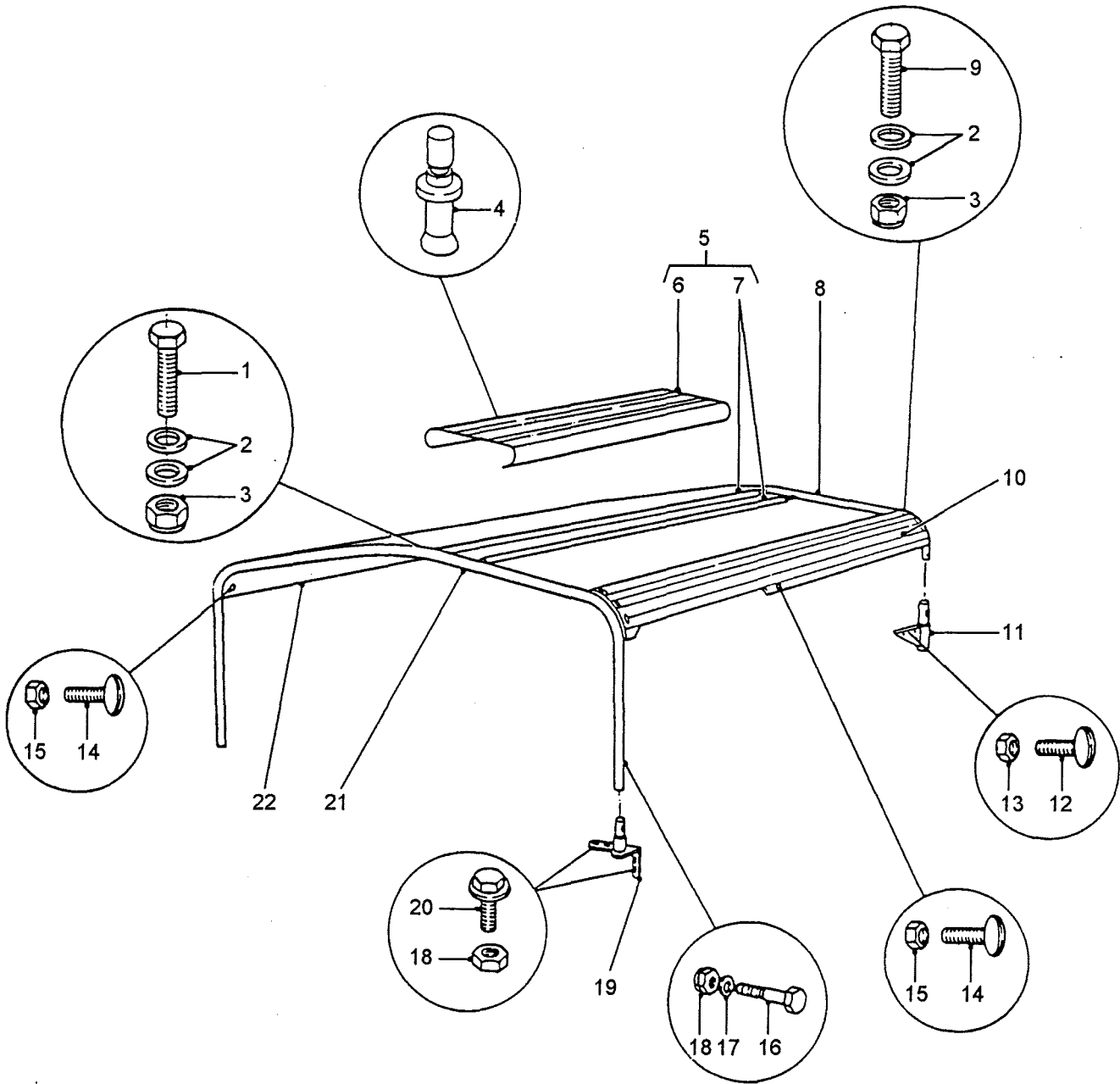
DERIVATIVE CODE

| <u>ITEM</u> | <u>PART NO.</u> | <u>DESCRIPTION</u> | <u>NSN</u> | <u>2185</u> | <u>2186</u> | <u>2208</u> | <u>2209</u> | <u>2210</u> | <u>2211</u> | <u>2212</u> | <u>2219</u> | <u>CP</u> |
|-------------|-----------------|---|------------------|-------------|-------------|-------------|-------------|-------------|-------------|-------------|-------------|-----------|
| 1 | BH110071 | BOLT | 5306-99-122-2772 | 16 | 16 | | | | | | | 16 |
| 2 | WA110061L | WASHER-PLAIN | 5310-99-122-6476 | 32 | 32 | | | | | | | 32 |
| 3 | NY110041L | NUT-NYLOC | 5310-99-122-5497 | 16 | 16 | | | | | | | 16 |
| 4 | HYL8931 | MONOBOLT | 5306-66-128-5498 | 10 | 10 | | | | | | | 10 |
| 5 | HYL9689 | RIDGE POLE & WALKWAY ASSY | 2540-66-128-5985 | 1 | 1 | | | | | | | |
| 5 | HYG6369 | RIDGE POLE & WALKWAY ASSY-CREW CAB ONLY | 2540-66-128-6434 | | | | | | | | | 1 |
| 6 | NSS | | | | | | | | | | | |
| 7 | NSS | | | | | | | | | | | |
| 8 | HYG3587 | BOW-CANOPY-REAR | | 1 | 1 | | | | | | | |
| 8 | HYG6372 | BOW-CANOPY-REAR -CREW CAB ONLY | | | | | | | | | | 1 |
| 9 | HYG3588 | SIDE-CANOPY-RIDGE ASSY | | 2 | 2 | | | | | | | |
| 9 | HYG6370 | SIDE-CANOPY-RIDGE ASSY -CREW CAB ONLY | | | | | | | | | | 2 |
| 10 | HYG3586 | BOW-CANOPY-FRONT | | 1 | 1 | | | | | | | |
| 10 | HYG6371 | BOW-CANOPY-FRONT -CREW CAB ONLY | | | | | | | | | | 1 |
| 11 | FS110301 | SCREW | 5305-66-098-4283 | 12 | 12 | | | | | | | |

CHANGE POINT

ARN INTRODUCTION

GROUP SRA/2



**CANOPY BOWS AND WALKWAY
- AIR DEFENCE ONLY**

PERENTIE LAND ROVER PARTS LIST

SRA /2/1 CANOPY BOWS AND WALKWAY - AIR DEFENCE ONLY

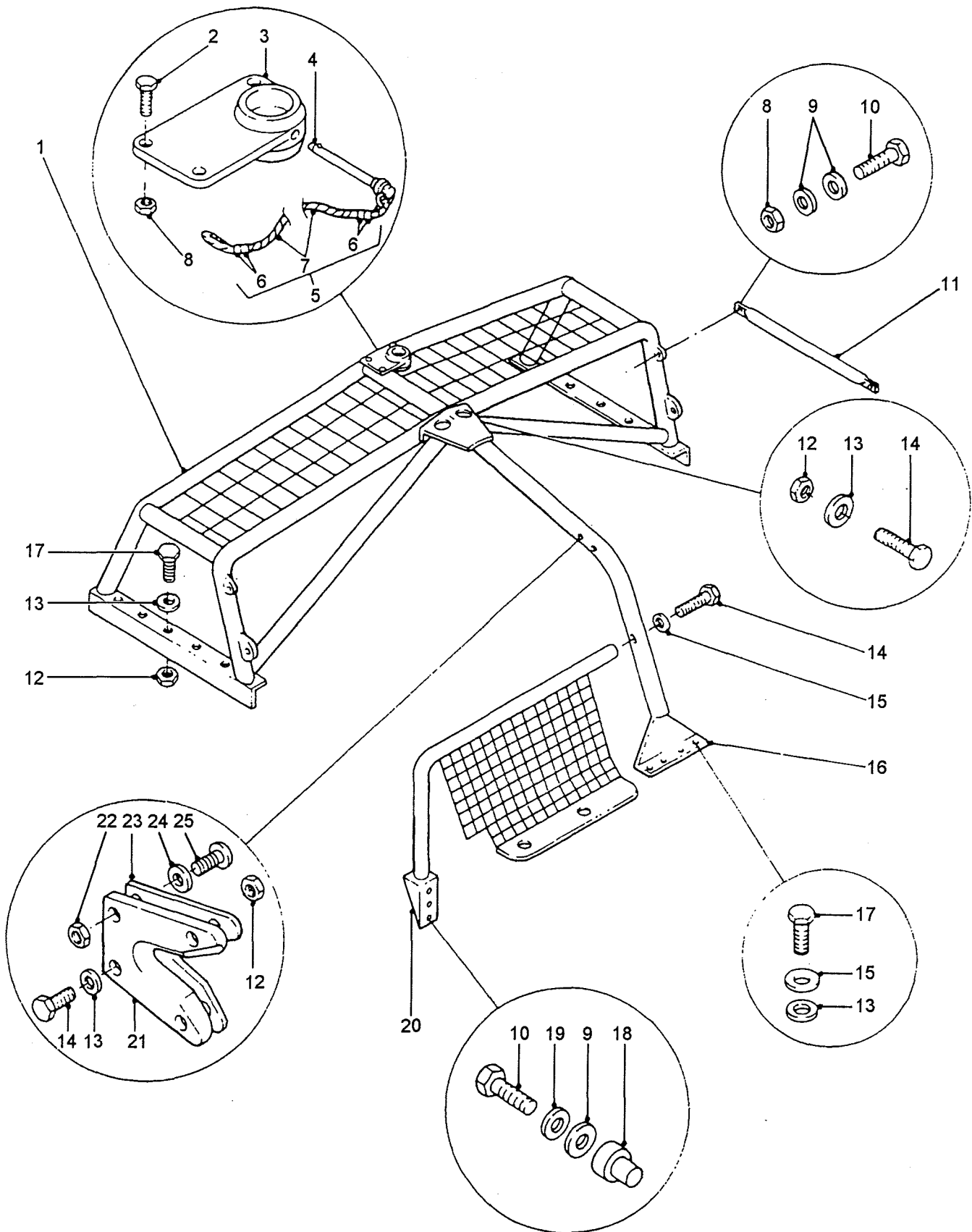
DERIVATIVE CODE

| <u>ITEM</u> | <u>PART NO.</u> | <u>DESCRIPTION</u> | <u>NSN</u> | <u>2185</u> | <u>2186</u> | <u>2208</u> | <u>2209</u> | <u>2210</u> | <u>2211</u> | <u>2212</u> | <u>2219</u> | <u>CP</u> |
|-------------|-----------------|------------------------------|------------------|-------------|-------------|-------------|-------------|-------------|-------------|-------------|-------------|-----------|
| 1 | BH110071 | BOLT | 5306-99-122-2772 | | | | | | | | 4 | |
| 2 | WA110061L | WASHER-PLAIN | 5310-99-122-6476 | | | | | | | | 20 | |
| 3 | NY110041L | NUT-NYLOC | 5310-99-122-5497 | | | | | | | | 16 | |
| 4 | HYL8931 | MONOBOLT | 5306-66-128-5498 | | | | | | | | 10 | |
| 5 | HYL9689 | RIDGEPOLE & WALKWAY ASSY | 2540-66-128-5985 | | | | | | | | 1 | |
| 6 | NSS | | | | | | | | | | | |
| 7 | NSS | | | | | | | | | | | |
| 8 | HYL9630 | BOW-CANOPY-REAR | | | | | | | | | 1 | |
| 9 | FS110301 | SCREW | 5305-66-098-4283 | | | | | | | | 12 | |
| 10 | HYL9631 | CAP-CANOPY | 2540-66-128-5986 | | | | | | | | 1 | |
| 11 | HYL9632 | BRACKET-MOUNTING-LH REAR | | | | | | | | | 1 | |
| | HYL9633 | BRACKET-MOUNTING-RH REAR | | | | | | | | | 1 | |
| 12 | HYL9634 | SCREW | | | | | | | | | 8 | |
| 13 | NH605041L | NUT | 5310-66-128-4505 | | | | | | | | 8 | |
| 14 | NSS | | | | | | | | | | | |
| 15 | HYL9801 | NUT | | | | | | | | | 3 | |
| 16 | FB108101 | BOLT | 5306-99-122-5256 | | | | | | | | 4 | |
| 17 | WA108051L | WASHER-PLAIN | 5310-99-122-6475 | | | | | | | | 4 | |
| 18 | NY108041L | NUT-NYLOC | 5310-99-122-5496 | | | | | | | | 12 | |
| 19 | HYL9635 | BRACKET-MOUNTING-LH FRONT | | | | | | | | | 1 | |
| | HYL9636 | BRACKET-MOUNTING-RH FRONT | | | | | | | | | 1 | |
| 20 | FS108201 | SCREW | 5305-99-122-5366 | | | | | | | | 8 | |
| 21 | HYL9637 | BOW-CANOPY-FRONT | | | | | | | | | 1 | |
| 22 | HYL9690 | CAP-CANOPY | 2540-66-128-5987 | | | | | | | | 2 | |

CHANGE POINT

ARN INTRODUCTION

GROUP SRA/3



ROLL CAGE, UPPER MACHINE GUN MOUNTING AND WIRE CUTTER - LRPV ONLY

PERENTIE LAND ROVER PARTS LIST

SRA /3/1 ROLL CAGE, UPPER MACHINE GUN MOUNTING AND WIRE CUTTER - LRPV ONLY
DERIVATIVE CODE

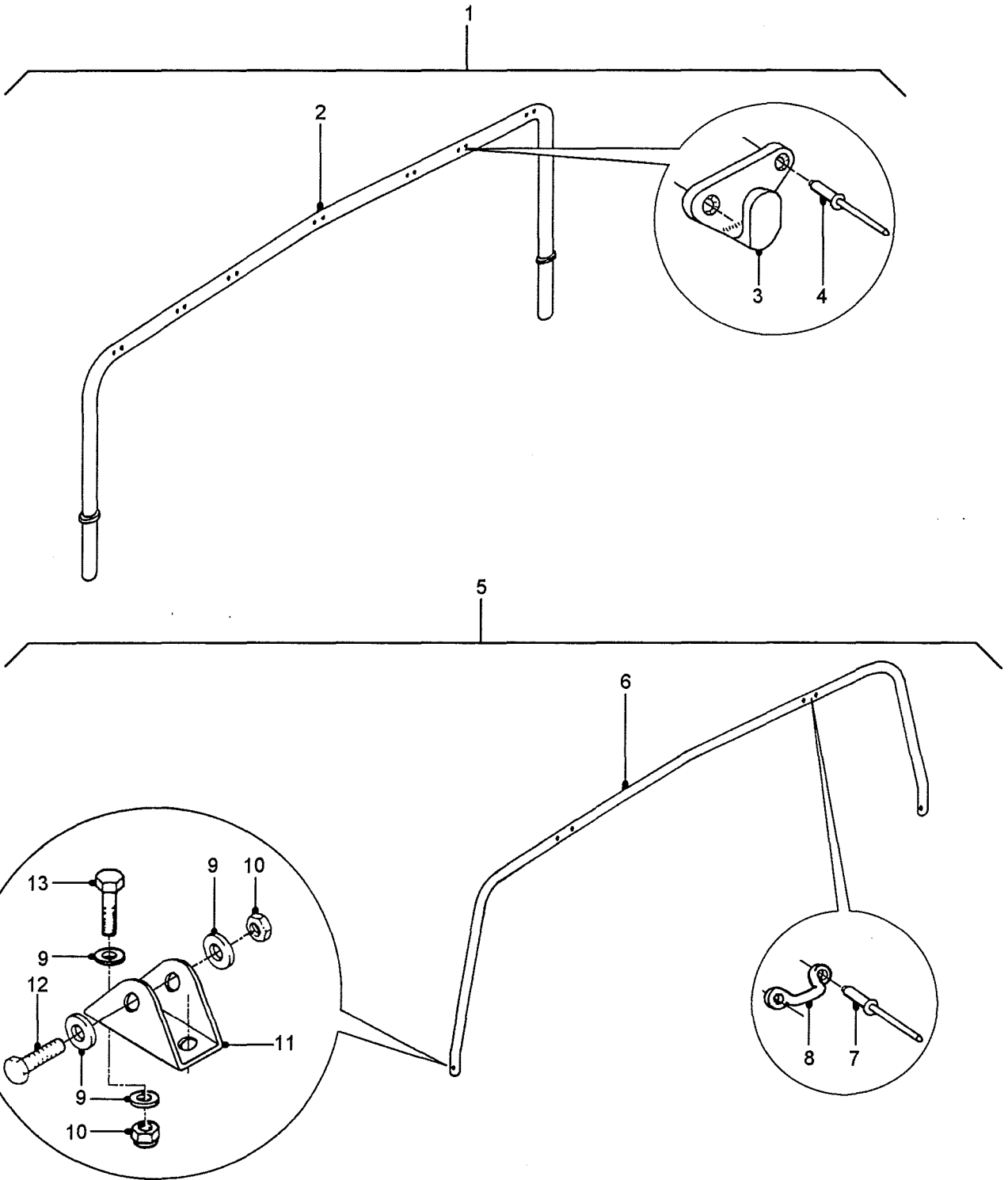
| <u>ITEM</u> | <u>PART NO.</u> | <u>DESCRIPTION</u> | <u>NSN</u> | <u>2185</u> | <u>2186</u> | <u>2208</u> | <u>2209</u> | <u>2210</u> | <u>2211</u> | <u>2212</u> | <u>2219</u> | <u>CP</u> |
|-------------|-----------------|---|------------------|-------------|-------------|-------------|-------------|-------------|-------------|-------------|-------------|-----------|
| 1 | HYG5642 | ROLL CAGE ASSY | 2510-66-128-6382 | o | nil | | | | | | | 1 |
| 2 | FB108141 | BOLT | 5306-99-122-5259 | | | | | | | | | 1 |
| 3 | AYG8890 | TRUNNION-WEAPON FORK | | o | nil | | | | | | | 1 |
| 4 | MYH3526 | PIN-PIP-TRUNNION | 5340-99-970-8579 | c | | | | | | | | 1 |
| 5 | HYG4079 | CORD-RETAINER (INCLUDES ITEMS 6 & 7) | 4020-66-128-6311 | c | | | | | | | | 1 |
| 6 | NSS | | | | | | | | | | | |
| 7 | NSS | | | | | | | | | | | |
| 8 | NY108041L | NUT-NYLOC | 5310-99-122-5496 | | | | | | | | | 8 |
| 9 | WA108051L | WASHER-PLAIN | 5310-99-122-6475 | | | | | | | | | 10 |
| 10 | FS108251 | SCREW | 5305-99-122-5367 | | | | | | | | | 6 |
| 11 | HYG4583 | TUBE-WINDSCREEN SUPPORT | 2510-66-128-6384 | o | (1) | | | | | | | 2 |
| 12 | NY110041L | NUT-NYLOC | 5310-99-122-5497 | | | | | | | | | 14 |
| 13 | WA110061L | WASHER-PLAIN | 5310-99-122-6476 | | | | | | | | | 18 |
| 14 | BH110151 | BOLT | | | | | | | | | | 7 |
| 15 | WL110001L | WASHER-LOCK | 5310-99-138-9228 | | | | | | | | | 5 |
| 16 | HYG3880 | ROLL BAR-CENTRE | 2510-66-128-6385 | o | nil | | | | | | | 1 |
| 17 | BH110101L | BOLT | | | | | | | | | | 12 |
| 18 | MM108051 | RIVNUT | | | | | | | | | | 4 |
| 19 | WL108001L ✓ | WASHER-LOCK | 5310-99-138-9227 | | | | | | | | | 4 |
| 20 | HYG4447 | GUARD-INSTRUMENT BINNACLE | 2510-66-128-6386 | o | nil | | | | | | | 1 |
| 21 | HYG3893 ✓ | BLADE-WIRE CUTTER | 2590-66-128-6387 | o | nil | | | | | | | 1 |
| 22 | NY105041L ✓ | NUT-NYLOC | 5310-99-122-5494 | | | | | | | | | 3 |
| 23 | HYG5644 ✓ | SAFETY SHEET-WIRE CUTTER BLADE | 2590-66-128-6392 | o | nil | | | | | | | 1 |
| 24 | WC105001L ✓ | WASHER-PLAIN | 5310-99-122-3032 | | | | | | | | | 3 |
| 25 | SE105201L ✓ | SCREW | 5305-66-128-4766 | | | | | | | | | 3 |

CHANGE POINT

ARN INTRODUCTION

Jun 1995

GROUP SRA/4



**CANOPY BOWS
- LRPV ONLY**

PERENTIE LAND ROVER PARTS LIST

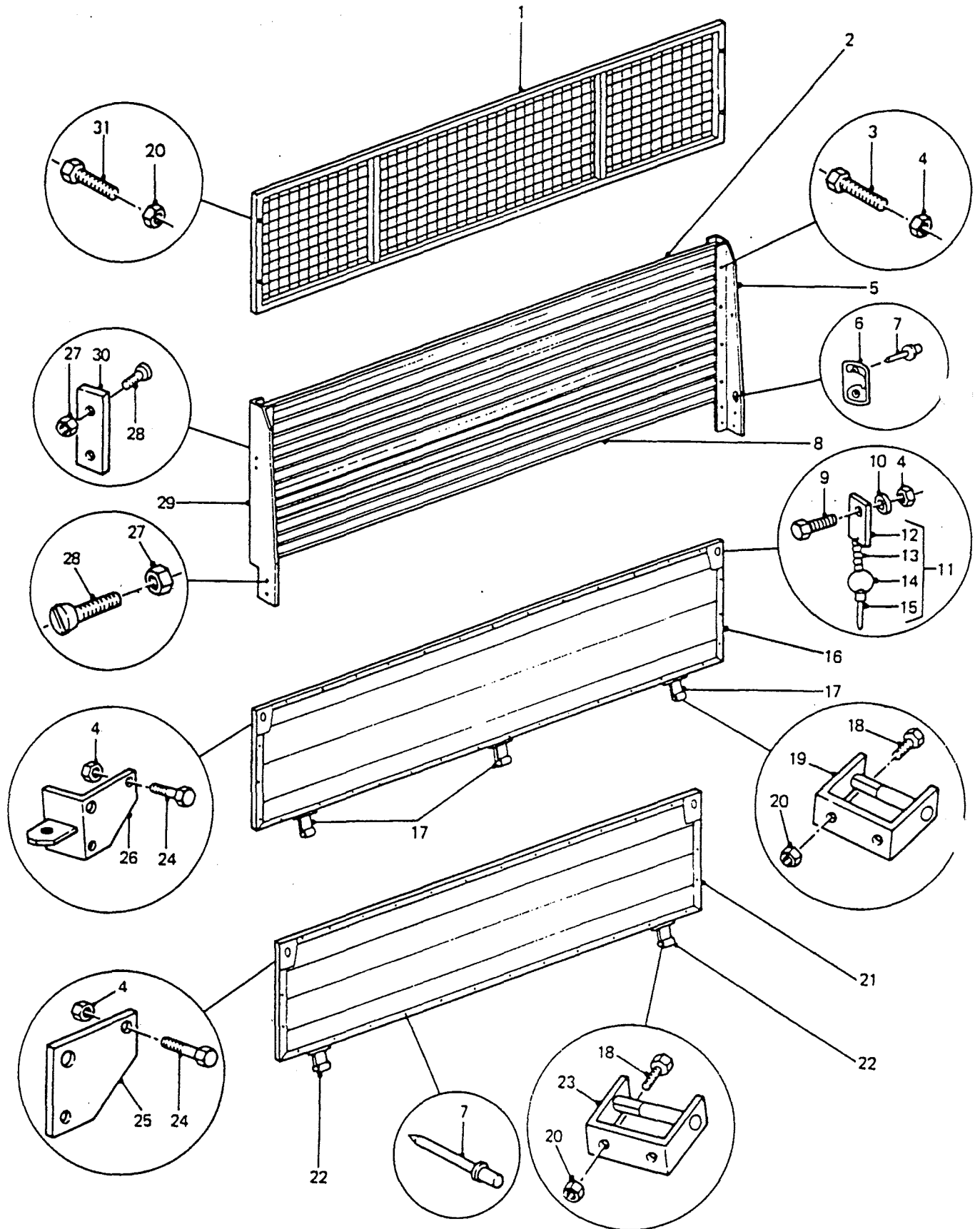
SRA /4/1 CANOPY BOWS - LRPV ONLY

| ITEM | PART NO. | DESCRIPTION | NSN | DERIVATIVE CODE | | | | | | | | |
|------|-----------|--|------------------|-----------------|------|------|------|------|------|------|------|----|
| | | | | 2185 | 2186 | 2208 | 2209 | 2210 | 2211 | 2212 | 2219 | CP |
| 1 | HYG6360 | BOW ASSY-CANOPY ✓ -REAR | | | | | | | | | | 1 |
| 2 | HYG6358 | BOW-CANOPY-REAR ✓ | | | | | | | | | | 1 |
| 3 | MYH3683 | HOOK ✓ | | | | | | | | | | 7 |
| 4 | RJ612253 | POP RIVET | | | | | | | | | | 14 |
| 5 | HYG6457 | BOW ASSY-CANOPY ✓ -CENTRE | | | | | | | | | | 1 |
| 6 | HYG5993 | BOW-CANOPY-CENTRE ✓ | | | | | | | | | | 1 |
| 7 | RA612183 | POP RIVET | 5320-66-128-4653 | | | | | | | | | 4 |
| 8 | R395143 | STAPLE | 2540-99-824-6204 | | | | | | | | | 2 |
| 9 | WA106041L | WASHER-PLAIN | 5310-66-098-4440 | | | | | | | | | 12 |
| 10 | NY106041L | NUT-NYLOC | 5310-99-138-8423 | | | | | | | | | 6 |
| 11 | HYG5992 | PIVOT CHANNEL ✓ | | | | | | | | | | 2 |
| 12 | BH106091L | BOLT | | | | | | | | | | 2 |
| 13 | SE106401 | SCREW | | | | | | | | | | 4 |
| | HYG6005 | BELT ASSY-ROLL BAR TO ✓ CENTRE HOOD BOW | | | | | | | | | | 2 |

CHANGE POINT

ARN INTRODUCTION

GROUP SRB/1



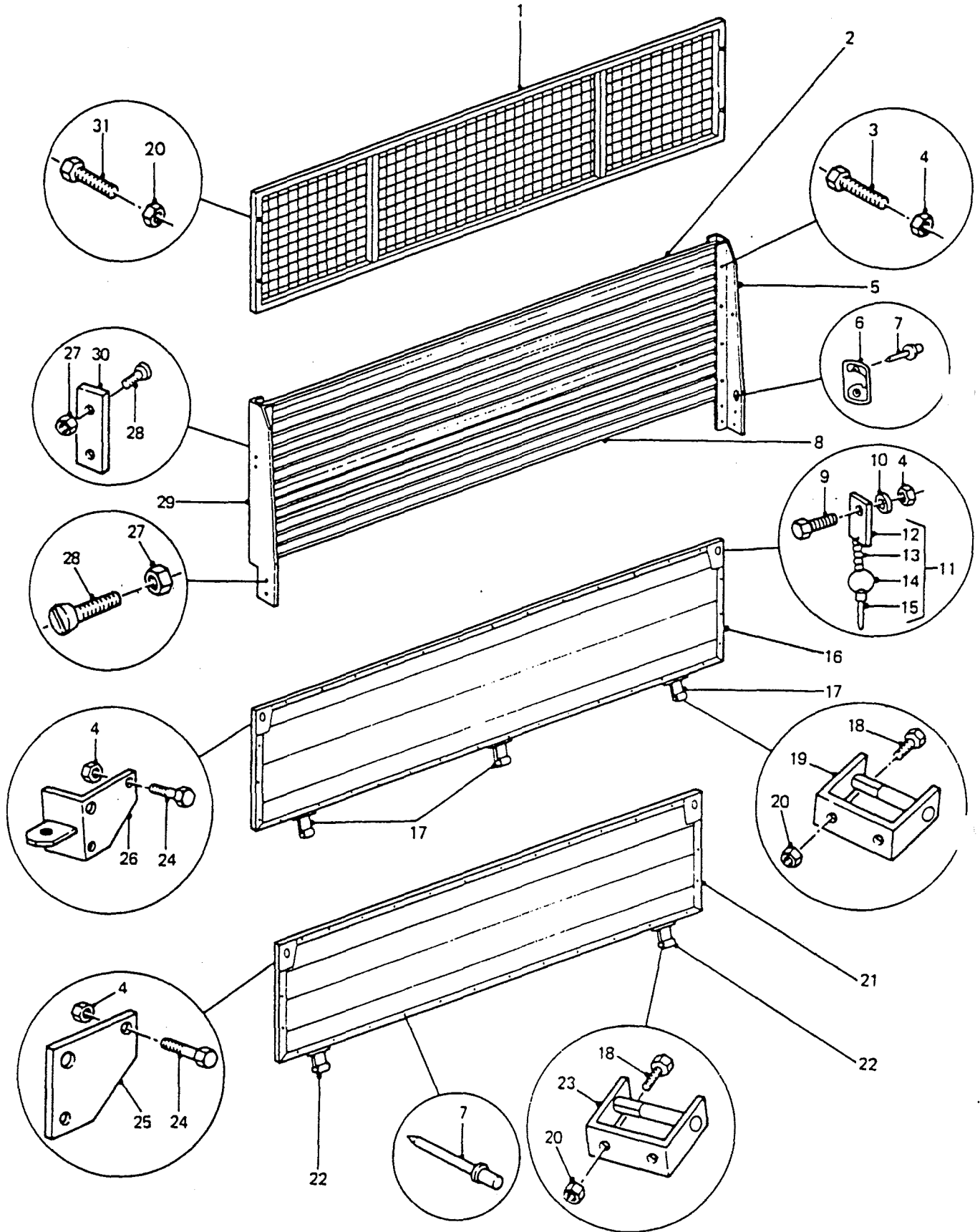
**HEADBOARD, SIDE PANELS, TAILGATE & FITTINGS
- CARGO - EXCEPT CREW CAB**

PERENTIE LAND ROVER PARTS LIST

**SRB /1/1 HEADBOARD, SIDE PANELS, TAILGATE & FITTINGS - CARGO - EXCEPT CREW CAB
DERIVATIVE CODE**

| <u>ITEM</u> | <u>PART NO.</u> | <u>DESCRIPTION</u> | <u>NSN</u> | <u>2185</u> | <u>2186</u> | <u>2208</u> | <u>2209</u> | <u>2210</u> | <u>2211</u> | <u>2212</u> | <u>2219</u> | <u>CP</u> |
|-------------|-----------------|--|------------------|-------------|-------------|-------------|-------------|-------------|-------------|-------------|-------------|-----------|
| 1 | HYG3609 | MESHGUARD -HEADBOARD | 2540-66-128-5644 | 1 | 1 | | | | | | | |
| 2 | HYL8949 | INFILL-HEADBOARD -UPPER | 2540-66-128-5645 | 1 | 1 | | | | | | | |
| 3 | FS106201 | SCREW | 5305-99-122-5361 | 8 | 8 | | | | | | | |
| 4 | NY106041L | NUT-NYLOC | 5310-99-138-8423 | 38 | 38 | | | | | | | |
| 5 | HYL8952 | SUPPORT-HEADBOARD | 2540-66-128-5646 | 1 | 1 | | | | | | | |
| 6 | HYL8941 | HOOK-LASHING | 2540-66-128-5506 | 4 | 4 | | | | | | | |
| 7 | HYL8942 | POP RIVET | 5320-66-128-5505 | 60 | 60 | | | | | | | |
| 8 | HYL8953 | INFILL-HEADBOARD -LOWER | 2540-66-128-5647 | 1 | 1 | | | | | | | |
| 9 | HYL8954 | BOLT | 5306-66-128-5648 | 20 | 20 | | | | | | | |
| 10 | HYL8955 | WASHER-PLAIN | 5310-66-128-5649 | 20 | 20 | | | | | | | |
| 11 | HYL8956 | PIN & CHAIN ASSY | 2540-66-128-5650 | 2 | 2 | | | | | | | |
| 12 | NSS | | | | | | | | | | | |
| 13 | NSS | | | | | | | | | | | |
| 14 | NSS | | | | | | | | | | | |
| 15 | NSS | | | | | | | | | | | |
| 16 | HYG3600 | TAILGATE ASSY | 2510-66-128-5590 | 1 | 1 | | | | | | | |
| 17 | HYL8957 | HINGE-TAILGATE-UPPER | 2510-66-128-5651 | 3 | 3 | | | | | | | |
| | HYL8958 | BOLT-HINGE TO TAILGATE AND DROPSIDE | 5306-66-128-5652 | 22 | 22 | | | | | | | |
| | WL108001L | WASHER-LOCK-HINGE | 5310-99-138-9227 | 22 | 22 | | | | | | | |
| 18 | HYL8960 | BOLT-LOWER HINGES TO COAMING | 5306-66-128-5653 | 18 | 18 | | | | | | | |
| 19 | HYL8961 | HINGE-TAILGATE-LOWER | 2510-66-128-5654 | 3 | 3 | | | | | | | |
| 20 | HYL8937 | NUT-NYLOC | 5310-66-128-5502 | 22 | 22 | | | | | | | |
| 21 | HYG3601 | DROPSIDE ASSY | 2510-66-128-5591 | 4 | 4 | | | | | | | |
| 22 | HYL8962 | HINGE-DROPSIDE-UPPER | 2510-66-128-5655 | 8 | 8 | | | | | | | |
| 23 | HYL8963 | HINGE-DROPSIDE-LOWER | 2510-66-128-5656 | 8 | 8 | | | | | | | |

GROUP SRB/1



**HEADBOARD, SIDE PANELS, TAILGATE & FITTINGS
- CARGO - EXCEPT CREW CAB**

PERENTIE LAND ROVER PARTS LIST

SRB /1/1 HEADBOARD, SIDE PANELS, TAILGATE & FITTINGS - CARGO - EXCEPT CREW CAB

DERIVATIVE CODE

| <u>ITEM</u> | <u>PART NO.</u> | <u>DESCRIPTION</u> | <u>NSN</u> | <u>2185</u> | <u>2186</u> | <u>2208</u> | <u>2209</u> | <u>2210</u> | <u>2211</u> | <u>2212</u> | <u>2219</u> | <u>CP</u> |
|-------------|-----------------|---|------------------|-------------|-------------|-------------|-------------|-------------|-------------|-------------|-------------|-----------|
| 24 | HYL8964 | BOLT-WEAR PLATES TO TAILGATE AND DROPSIDES | 5306-66-128-5657 | 10 | 10 | | | | | | | |
| 25 | HYL8965 | PLATE-WEAR-DROPSIDE | | 8 | 8 | | | | | | | |
| 26 | HYL8966 | PLATE-WEAR-TAILGATE -LH | | 1 | 1 | | | | | | | |
| | HYL8967 | PLATE-WEAR-TAILGATE -RH | | 1 | 1 | | | | | | | |
| 27 | HYL8925 | NUT-NYLOC | 5310-66-128-5494 | 12 | 12 | | | | | | | |
| 28 | HYL8969 | SCREW | 5305-66-128-5658 | 8 | 8 | | | | | | | |
| 29 | HYL8970 | SUPPORT-HEADBOARD | 2540-66-128-5659 | 1 | 1 | | | | | | | |
| 30 | HYL8971 | PLATE-MOUNTING | | 2 | 2 | | | | | | | |
| 31 | HYL8972 | BOLT | 5306-66-128-5660 | 4 | 4 | | | | | | | |
| | HYG3114 | STRIP-RUBBER | | 2 | 2 | | | | | | | 01 |
| | HYG3115 | CLAMP STRIP-RUBBER | | 2 | 2 | | | | | | | 01 |
| | BH106091L | BOLT-RUBBER & CLAMP STRIP TO REAR BODY TAILGATE | | 4 | 4 | | | | | | | 01 |
| | WC106041L | WASHER-PLAIN | 5310-99-122-3411 | 4 | 4 | | | | | | | 01 |
| | WL106001L | WASHER-LOCK | 5310-99-137-9232 | 4 | 4 | | | | | | | 01 |
| | WA108051L | WASHER-PLAIN | 5310-99-122-6475 | 8 | 8 | | | | | | | 01 |
| | R304125 | BUFFER-TAILGATE | | 2 | 2 | | | | | | | |
| | AB614085 | SCREW-BUFFER TO TAILGATE | | 2 | 2 | | | | | | | |

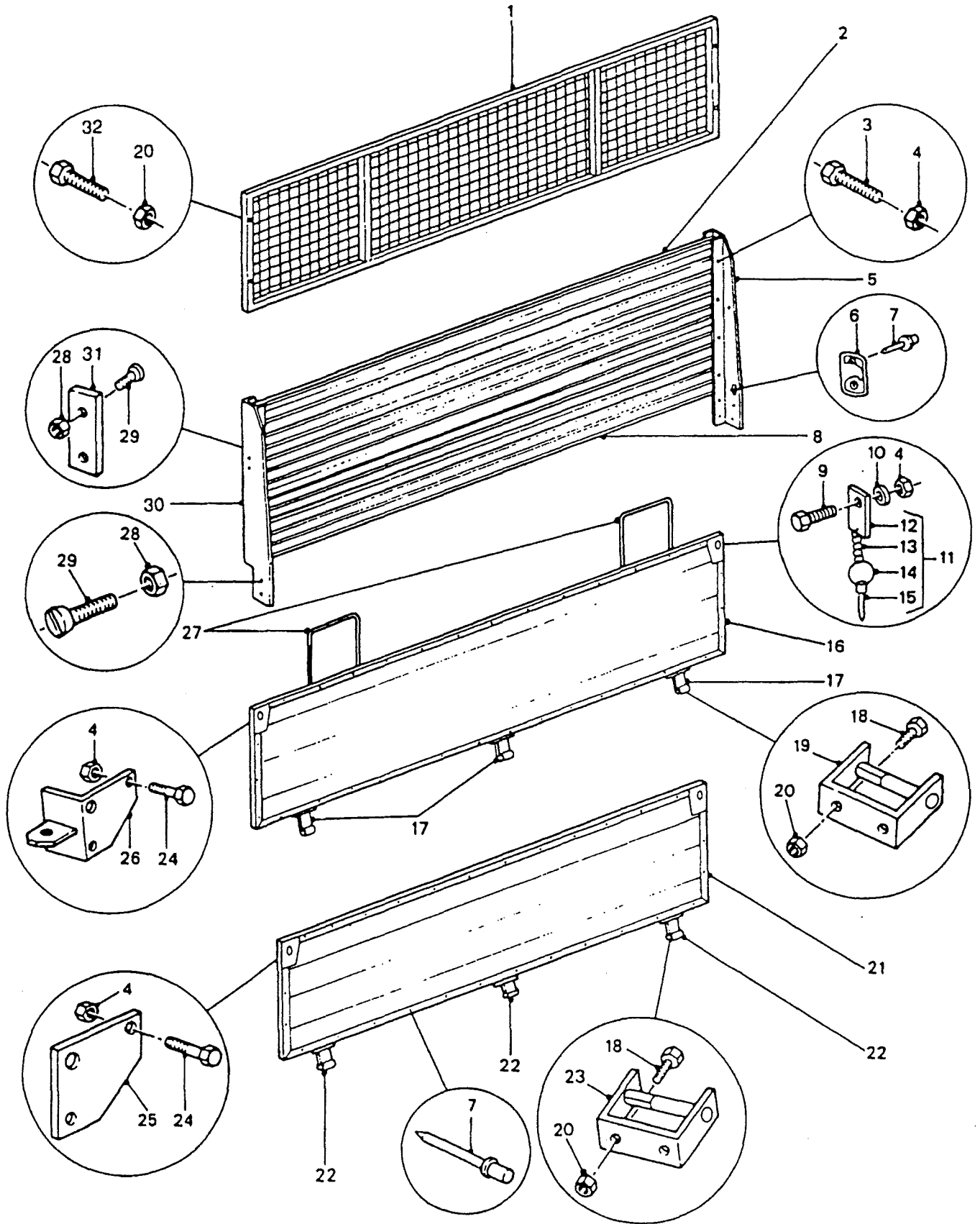
CHANGE POINT

ARN INTRODUCTION

1

50-851 CARGO, 50-860 CARGO, 50-887 TO 50-890 CARGO AND WINCH, 50-893 TO
50-900 CARGO, 51-571 TO 50-574 CARGO, 51-982 CARGO, 51-954 TO 51-972 CARGO
AND WINCH

GROUP SRB/2



**HEADBOARD, SIDE PANELS, TAILGATE & FITTINGS
- CREW CAB ONLY**

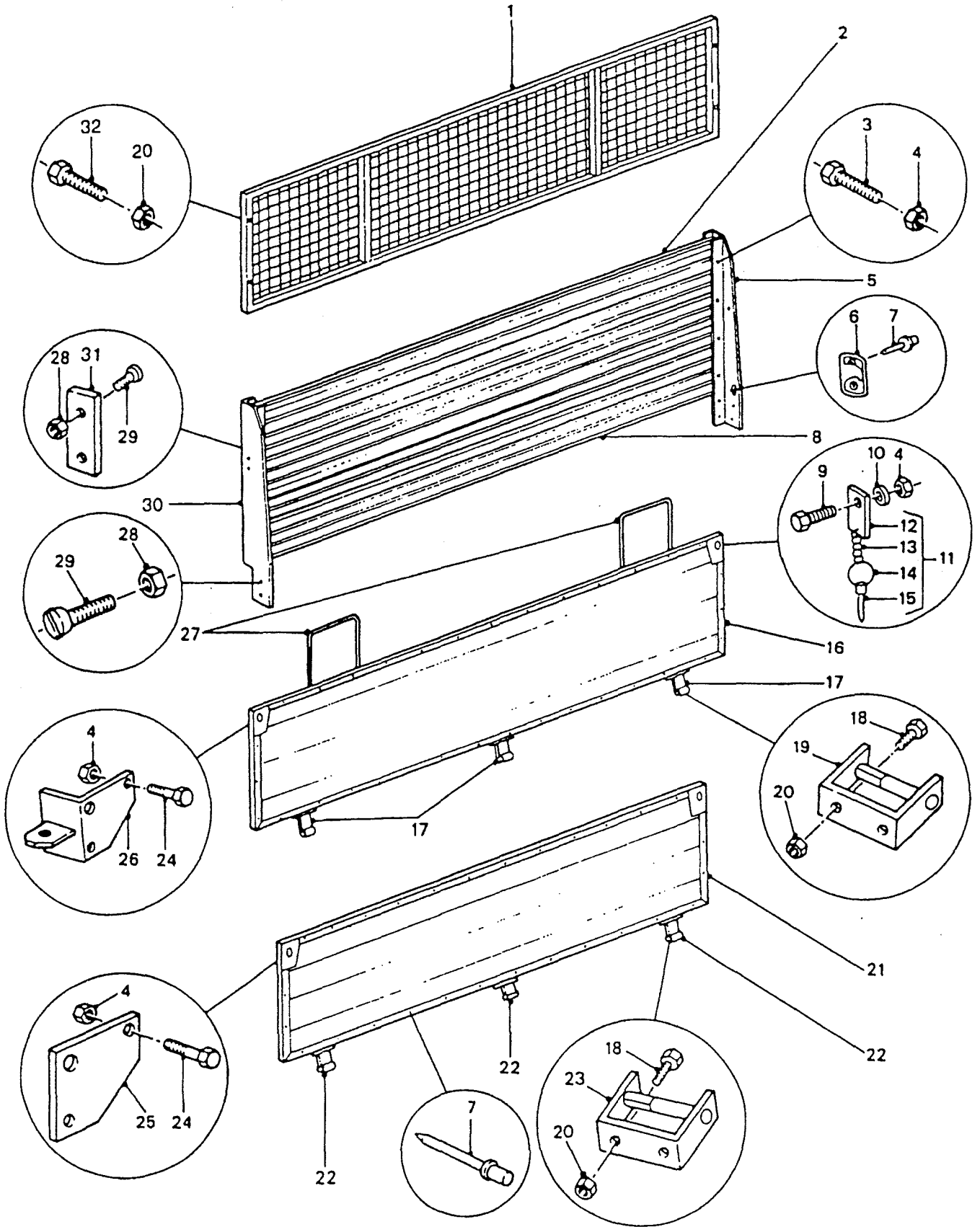
PERENTIE LAND ROVER PARTS LIST

SRB /2/1 HEADBOARD, SIDE PANELS, TAILGATE & FITTINGS - CREW CAB ONLY

DERIVATIVE CODE

| <u>ITEM</u> | <u>PART NO.</u> | <u>DESCRIPTION</u> | <u>NSN</u> | <u>2185</u> | <u>2186</u> | <u>2208</u> | <u>2209</u> | <u>2210</u> | <u>2211</u> | <u>2212</u> | <u>2219</u> | <u>CP</u> |
|-------------|-----------------|--|------------------|-------------|-------------|-------------|-------------|-------------|-------------|-------------|-------------|-----------|
| 1 | HYG6373 | MESHGUARD-HEADBOARD | | | | | | | | | | 1 |
| 2 | HYL8949 | INFILL-HEADBOARD -UPPER | 2540-66-128-5645 | | | | | | | | | 1 |
| 3 | FS106201 | SCREW | 5305-99-122-5361 | | | | | | | | | 8 |
| 4 | NY106041L | NUT-NYLOC | 5310-99-138-8423 | | | | | | | | | 38 |
| 5 | HYM594 | SUPPORT-HEADBOARD INFILL-RH | | | | | | | | | | 1 |
| 6 | HYL8941 | HOOK-CARGO | 2540-66-128-5506 | | | | | | | | | 4 |
| 7 | HYL8942 | POP RIVET | 5320-66-128-5505 | | | | | | | | | 60 |
| 8 | HYL8953 | INFILL-HEADBOARD -LOWER | 2540-66-128-5647 | | | | | | | | | 1 |
| 9 | HYL8954 | BOLT | 5306-66-128-5648 | | | | | | | | | 20 |
| 10 | HYL8955 | WASHER-PLAIN | 5310-66-128-5649 | | | | | | | | | 20 |
| 11 | HYL8956 | PIN & CHAIN ASSY | 2540-66-128-5650 | | | | | | | | | 2 |
| 12 | NSS | | | | | | | | | | | |
| 13 | NSS | | | | | | | | | | | |
| 14 | NSS | | | | | | | | | | | |
| 15 | NSS | | | | | | | | | | | |
| 16 | HYG6375 | TAILGATE ASSY | 2510-66-128-6460 | | | | | | | | | 1 |
| 17 | HYG6378 | HINGE-TAILGATE-UPPER | 2510-66-128-6436 | | | | | | | | | 3 |
| | HYL8958 | BOLT-HINGE TO TAILGATE AND DROPSIDE | 5306-66-128-5652 | | | | | | | | | 22 |
| | WL108001L | WASHER-LOCK | 5310-99-138-9227 | | | | | | | | | 22 |
| 18 | HYL8960 | BOLT-LOWER HINGES TO COAMING | 5306-66-128-5653 | | | | | | | | | 18 |
| 19 | HYG6379 | HINGE-TAILGATE-LOWER | 2510-66-128-6437 | | | | | | | | | 3 |
| 20 | HYL8937 | NUT-NYLOC | 5310-66-128-5502 | | | | | | | | | 22 |
| 21 | HYG6376 | SIDE RACK | 2510-66-128-6438 | | | | | | | | | 2 |
| 22 | HYG6381 | HINGE-DROPSIDE-UPPER | 2510-66-128-6461 | | | | | | | | | 6 |
| 23 | HYG6380 | HINGE-DROPSIDE-LOWER | 2510-66-128-6439 | | | | | | | | | 6 |

GROUP SRB/2



HEADBOARD, SIDE PANELS, TAILGATE & FITTINGS - CREW CAB ONLY

PERENTIE LAND ROVER PARTS LIST

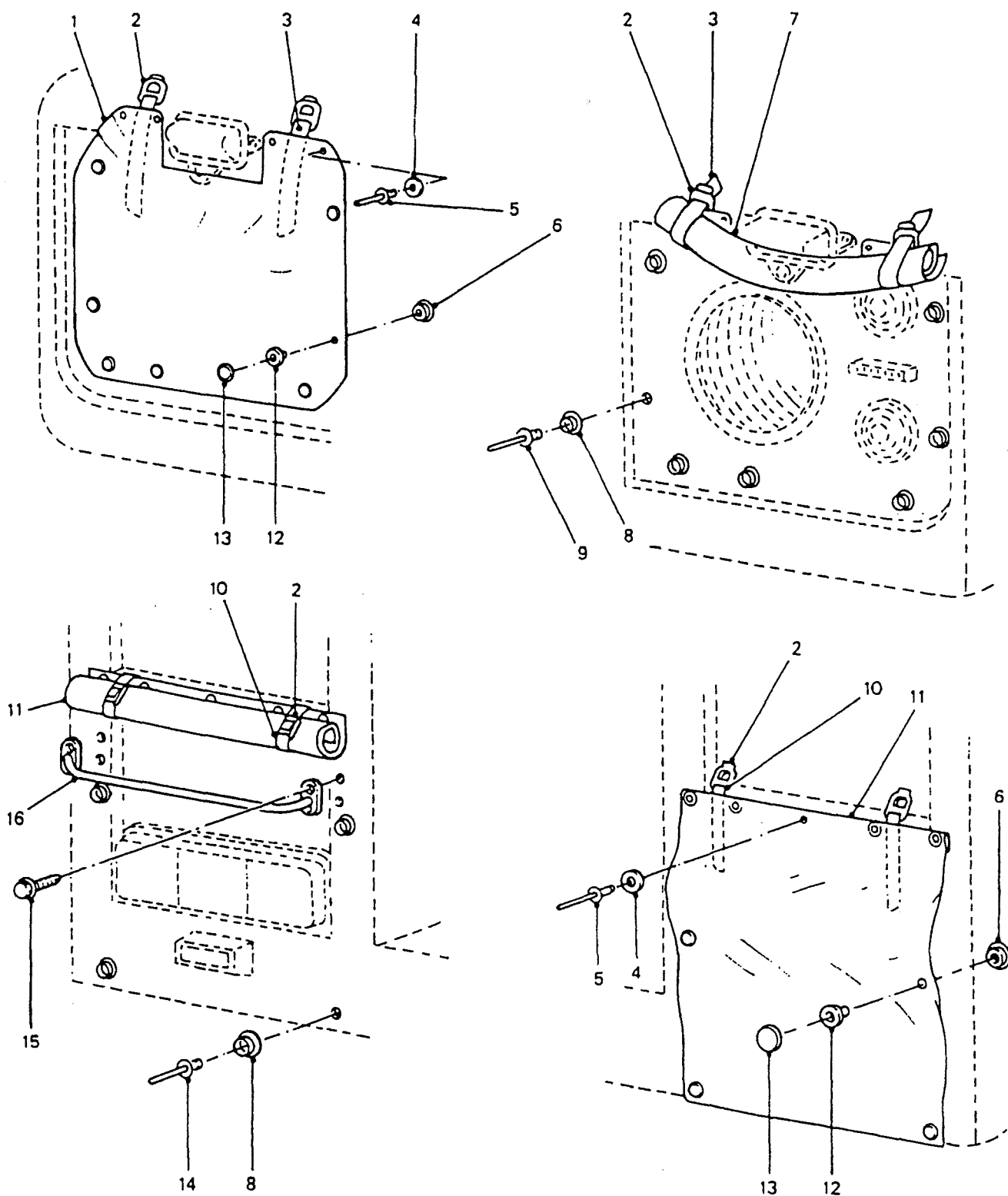
SRB /2/1 HEADBOARD, SIDE PANELS, TAILGATE & FITTINGS - CREW CAB ONLY

DERIVATIVE CODE

| <u>ITEM</u> | <u>PART NO.</u> | <u>DESCRIPTION</u> | <u>NSN</u> | <u>2185</u> | <u>2186</u> | <u>2208</u> | <u>2209</u> | <u>2210</u> | <u>2211</u> | <u>2212</u> | <u>2219</u> | <u>CP</u> |
|-------------|-----------------|---|------------------|-------------|-------------|-------------|-------------|-------------|-------------|-------------|-------------|-----------|
| 24 | HYL8964 | BOLT-WEAR PLATES TO TAILGATE AND DROPSIDES | 5306-66-128-5657 | | | | | | | | | 10 |
| 25 | HYL8965 | PLATE-WEAR-DROPSIDE | | | | | | | | | | 8 |
| 26 | HYL8966 | PLATE-WEAR-TAILGATE -LH | | | | | | | | | | 1 |
| | HYL8967 | PLATE-WEAR-TAILGATE -RH | | | | | | | | | | 1 |
| 27 | HYG6377 | STEP-REAR TAILGATE | | | | | | | | | | 2 |
| 28 | HYL8925 | NUT-NYLOC | 5310-66-128-5494 | | | | | | | | | 12 |
| 29 | HYL8969 | SCREW | 5305-66-128-5658 | | | | | | | | | 8 |
| 30 | HYM593 | SUPPORT-HEADBOARD INFILL-LH | 2540-66-128-6435 | | | | | | | | | 1 |
| 31 | HYL8971 | PLATE-MOUNTING | | | | | | | | | | 2 |
| 32 | HYL8972 | BOLT | 5306-66-128-5660 | | | | | | | | | 4 |
| | HYG3114 | STRIP-RUBBER | | | | | | | | | | 2 |
| | HYG3115 | CLAMP STRIP-RUBBER | | | | | | | | | | 2 |
| | BH106091L | BOLT-RUBBER AND CLAMP STRIP TO REAR BODY TAILGATE | | | | | | | | | | 4 |
| | WC106041L | WASHER-PLAIN | 5310-99-122-3411 | | | | | | | | | 4 |
| | WA106001L | WASHER-PLAIN | | | | | | | | | | 4 |
| | WA108051L | WASHER-PLAIN | 5310-99-122-6475 | | | | | | | | | 8 |
| | R304125 | BUFFER-TAILGATE | | | | | | | | | | 2 |
| | AB614085 | SCREW-BUFFER TO TAILGATE | | | | | | | | | | 2 |

CHANGE POINT

ARN INTRODUCTION

GROUP SRB/3

**FRONT AND REAR LAMP COVERS AND
REAR LAMP PROTECTORS – LRPV ONLY**

PERENTIE LAND ROVER PARTS LIST

SRB /3/1

FRONT AND REAR LAMP COVERS AND REAR LAMP PROTECTORS - LRPV ONLY

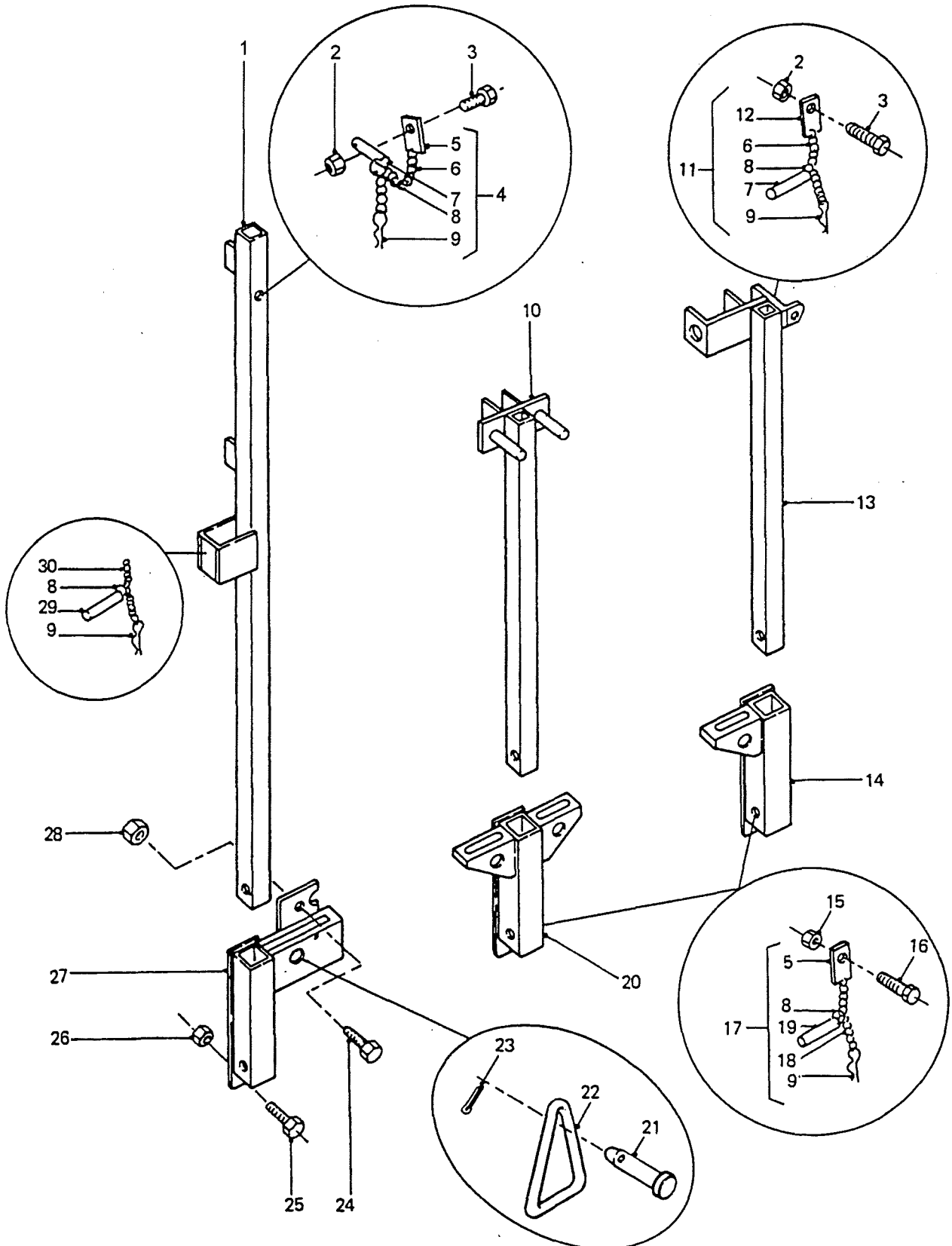
DERIVATIVE CODE

| <u>ITEM</u> | <u>PART NO.</u> | <u>DESCRIPTION</u> | <u>NSN</u> | <u>2185</u> | <u>2186</u> | <u>2208</u> | <u>2209</u> | <u>2210</u> | <u>2211</u> | <u>2212</u> | <u>2219</u> | <u>CP</u> |
|-------------|-----------------|--------------------------------|------------------|-------------|-------------|-------------|-------------|-------------|-------------|-------------|-------------|-----------|
| 1 | HYG5646 | COVER-CANVAS-FRONT LIGHT-RH | 6220-66-128-6388 | | | | | | | | | 1 |
| 2 | NSS | | | | | | | | | | | |
| 3 | NSS | | | | | | | | | | | |
| 4 | WA105001L | WASHER-PLAIN | 5310-99-122-3032 | | | | | | | | | 8 |
| 5 | R78248 | POP RIVET | 5320-99-970-3518 | | | | | | | | | 8 |
| 6 | NSS | | | | | | | | | | | |
| 7 | HYG5647 | COVER-CANVAS-FRONT LIGHT-LH | 6220-66-128-6390 | | | | | | | | | 1 |
| 8 | MYH3273 | STUD-PRESS | 5325-00-042-6710 | | | | | | | | | 22 |
| 9 | RA608183 | POP RIVET | 5320-66-128-6335 | | | | | | | | | 14 |
| 10 | NSS | | | | | | | | | | | |
| 11 | HYG4080 | COVER-CANVAS-REAR LIGHTS | 6220-66-128-6391 | | | | | | | | | 2 |
| 12 | NSS | | | | | | | | | | | |
| 13 | NSS | | | | | | | | | | | |
| 14 | RA606313 | POP RIVET | 5320-66-128-4722 | | | | | | | | | 8 |
| 15 | MYH3337 | SCREW | 5305-66-128-5341 | | | | | | | | | 8 |
| 16 | HYG4113 | GUARD-REAR LAMPS | | | | | | | | | | 2 |

CHANGE POINT

ARN INTRODUCTION

GROUP SRC/1



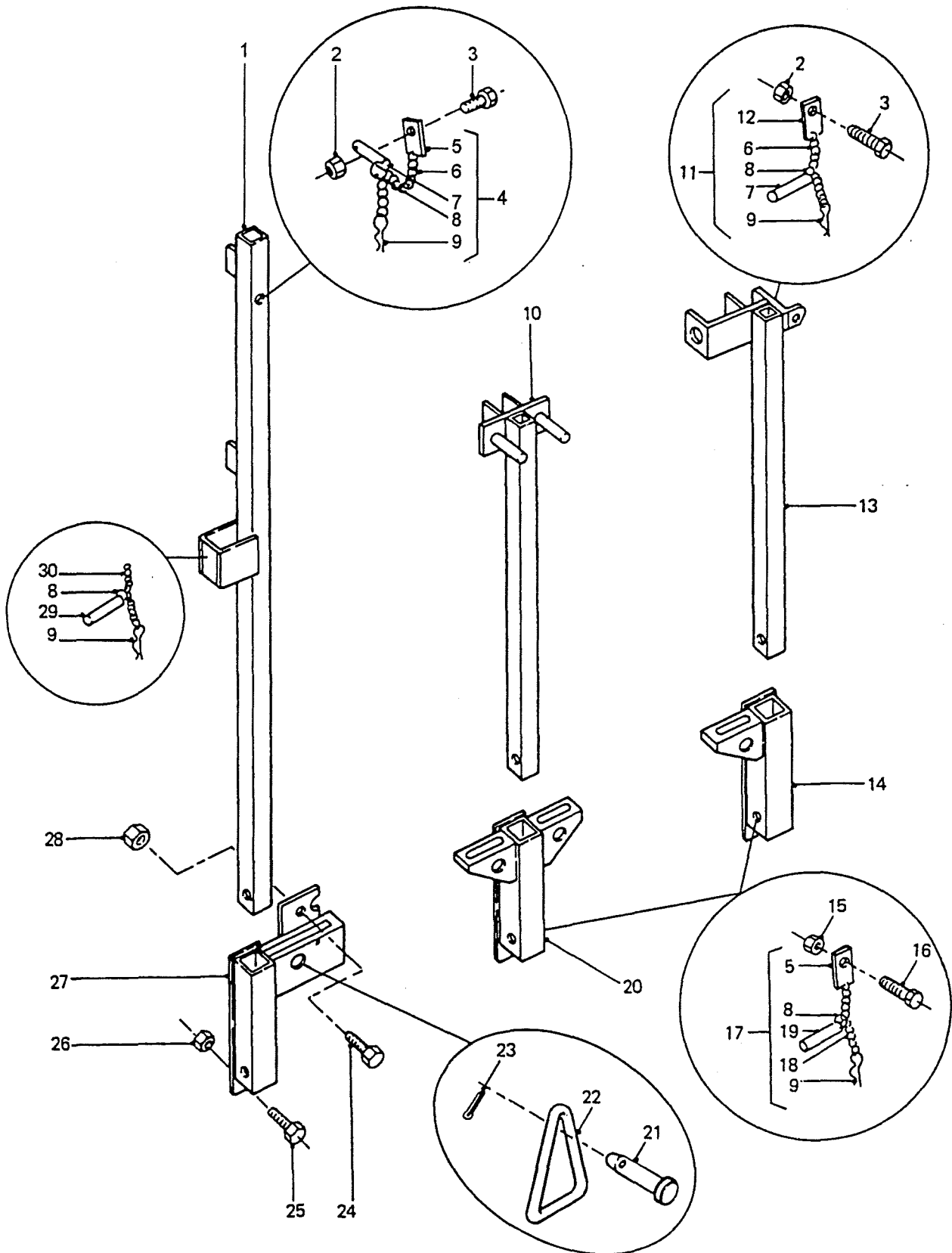
**SUPPORT PILLARS AND TIE-DOWN MODULES
- CARGO - EXCEPT CREW CAB**

PERENTIE LAND ROVER PARTS LIST

SRC /1/1 SUPPORT PILLARS AND TIE-DOWN MODULES - CARGO - EXCEPT CREW CAB
DERIVATIVE CODE

| <u>ITEM</u> | <u>PART NO.</u> | <u>DESCRIPTION</u> | <u>NSN</u> | <u>2185</u> | <u>2186</u> | <u>2208</u> | <u>2209</u> | <u>2210</u> | <u>2211</u> | <u>2212</u> | <u>2219</u> | <u>CP</u> |
|-------------|-----------------|--|------------------|-------------|-------------|-------------|-------------|-------------|-------------|-------------|-------------|-----------|
| 1 | HYL9042 | POST-FRONT-LH | 2510-66-128-5678 | 1 | 1 | | | | | | | |
| | HYL9043 | POST-FRONT-RH | 2510-66-128-5679 | 1 | 1 | | | | | | | |
| 2 | HYL8925 | NUT-NYLOC | 5310-66-128-5494 | 4 | 4 | | | | | | | |
| 3 | HYL8958 | BOLT | 5306-66-128-5652 | 4 | 4 | | | | | | | |
| 4 | HYL8996 | PIN & CHAIN ASSY POST-SEAT-RH FRONT (INCLUDES ITEMS 5-9) | 2540-66-128-5680 | 2 | 2 | | | | | | | |
| 5 | NSS | | | | | | | | | | | |
| 6 | NSS | | | | | | | | | | | |
| 7 | NSS | | | | | | | | | | | |
| 8 | NSS | | | | | | | | | | | |
| 9 | HYL9005 | 'R' CLIP | 5340-66-128-5681 | 10 | 10 | | | | | | | |
| 10 | HYL9044 | POST-CENTRE-LH | 2510-66-128-5592 | 1 | 1 | | | | | | | |
| | HYL9045 | POST-CENTRE-RH | 2510-66-128-5593 | 1 | 1 | | | | | | | |
| 11 | HYL9006 | PIN & CHAIN ASSY | 2540-66-128-5682 | 2 | 2 | | | | | | | |
| 12 | NSS | | | | | | | | | | | |
| 13 | HYL9046 | POST-REAR-LH | 2510-66-128-5594 | 1 | 1 | | | | | | | |
| | HYL9047 | POST-REAR-RH | 2510-66-128-5595 | 1 | 1 | | | | | | | |
| 14 | HYL9048 | TIE-DOWN MODULE-REAR-LH | 2510-66-128-5684 | 1 | 1 | | | | | | | |
| | HYL9049 | TIE-DOWN MODULE-REAR-RH | 2510-66-128-5683 | 1 | 1 | | | | | | | |
| 15 | NY106041L | NUT-NYLOC | 5310-99-138-8423 | 6 | 6 | | | | | | | |
| 16 | HYL9007 | BOLT | 5306-66-128-5685 | 6 | 6 | | | | | | | |
| 17 | HYL9008 | PIN & CHAIN ASSY | 2540-66-128-5686 | 6 | 6 | | | | | | | |
| 18 | NSS | | | | | | | | | | | |
| 19 | NSS | | | | | | | | | | | |
| 20 | HYL9050 | TIE-DOWN MODULE -CENTRE | 2510-66-128-5687 | 2 | 2 | | | | | | | |
| 21 | HYL9009 | PIN-LASHING | 5315-66-128-5741 | 6 | 6 | | | | | | | |

GROUP SRC/1



**SUPPORT PILLARS AND TIE-DOWN MODULES
- CARGO - EXCEPT CREW CAB**

PERENTIE LAND ROVER PARTS LIST

SRC /1/1 SUPPORT PILLARS AND TIE-DOWN MODULES - CARGO - EXCEPT CREW CAB

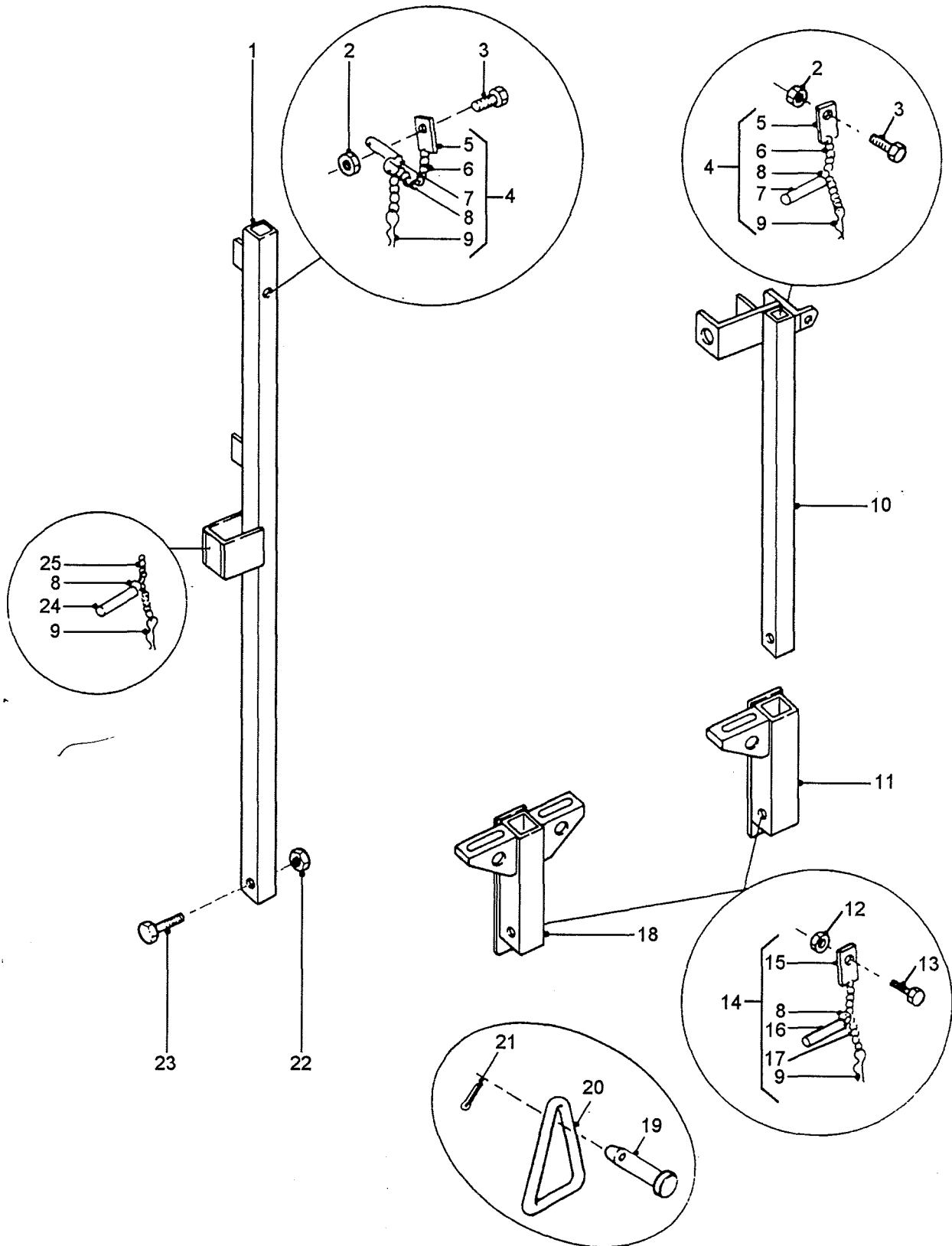
DERIVATIVE CODE

| <u>ITEM</u> | <u>PART NO.</u> | <u>DESCRIPTION</u> | <u>NSN</u> | <u>2185</u> | <u>2186</u> | <u>2208</u> | <u>2209</u> | <u>2210</u> | <u>2211</u> | <u>2212</u> | <u>2219</u> | <u>CP</u> |
|-------------|-----------------|-----------------------------|------------------|-------------|-------------|-------------|-------------|-------------|-------------|-------------|-------------|-----------|
| 22 | HYL9010 | RING-LASHING | 2510-66-128-5742 | 6 | 6 | | | | | | | |
| 23 | HYL9011 | SPLIT PIN | | 6 | 6 | | | | | | | |
| 24 | HYL8936 | BOLT | 5306-66-128-5501 | 6 | 6 | | | | | | | |
| 25 | SH112351 | SCREW | 5305-99-122-8675 | 6 | 6 | | | | | | | |
| 26 | NY112041L | NUT-NYLOC | 5310-99-768-7269 | 6 | 6 | | | | | | | |
| 27 | HYL9051 | TIE-DOWN MODULE-FRONT-LH | 2510-66-128-5743 | 1 | 1 | | | | | | | |
| | HYL9052 | TIE-DOWN MODULE-FRONT-RH | 2510-66-128-5744 | 1 | 1 | | | | | | | |
| 28 | HYL8937 | NUT-NYLOC | 5310-66-128-5502 | 6 | 6 | | | | | | | |
| 29 | NSS | | | | | | | | | | | |
| 30 | NSS | | | | | | | | | | | |

CHANGE POINT

ARN INTRODUCTION

GROUP SRC/2



**SUPPORT PILLARS AND TIE-DOWN MODULES
- CARGO - CREW CAB ONLY**

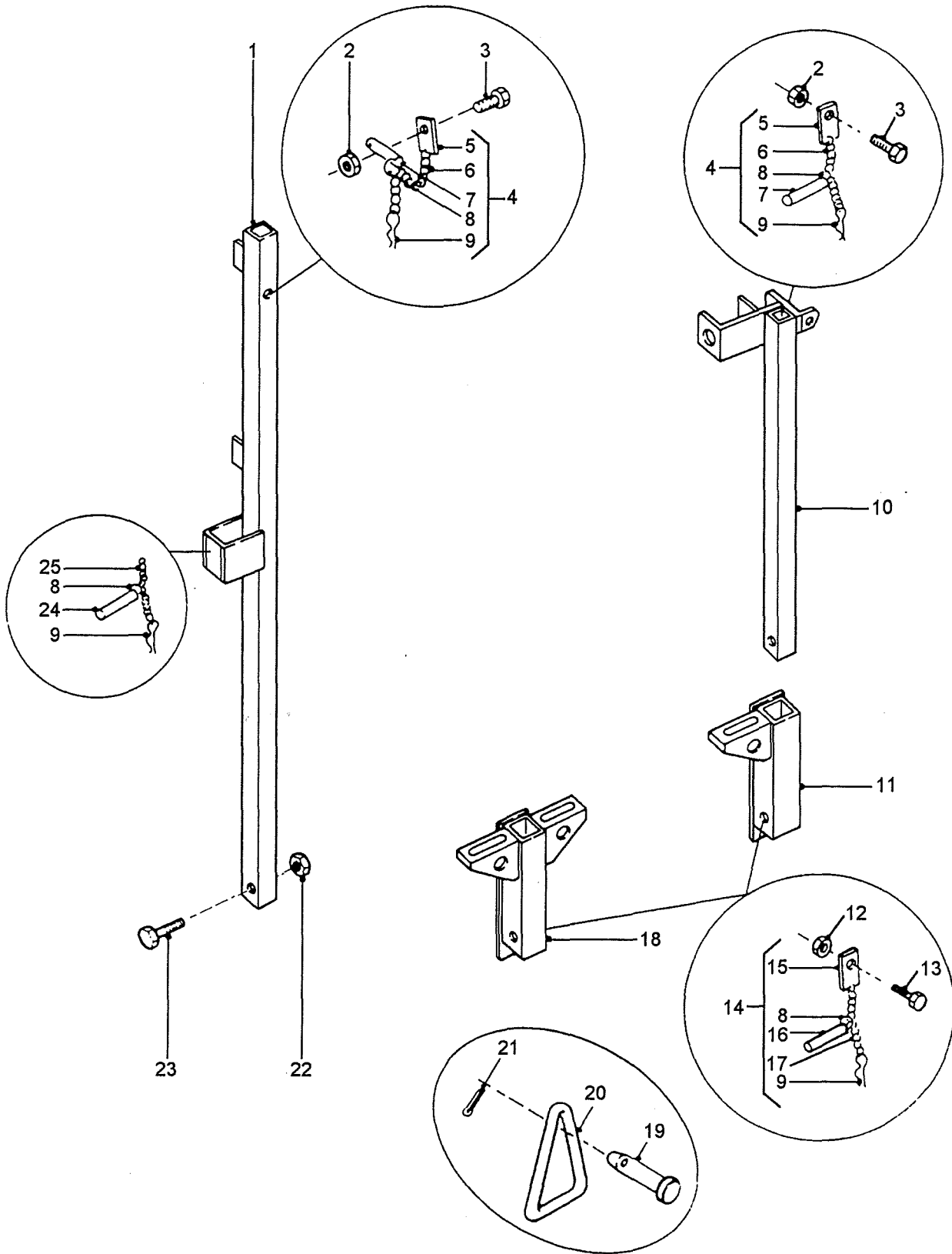
PERENTIE LAND ROVER PARTS LIST

SRC 12/1 SUPPORT PILLARS AND TIE-DOWN MODULES - CARGO - CREW CAB ONLY

DERIVATIVE CODE

| ITEM | PART NO. | DESCRIPTION | NSN | 2185 | 2186 | 2208 | 2209 | 2210 | 2211 | 2212 | 2219 | CP |
|------|-----------|----------------------------|------------------|------|------|------|------|------|------|------|------|----|
| 1 | HYG6382 | POST-FRONT-LH | | | | | | | | | | 1 |
| | HYG6382 | POST-FRONT-RH | | | | | | | | | | 1 |
| 2 | HYL8925 | NUT-NYLOC | | | | | | | | | | 4 |
| 3 | HYL8958 | BOLT | | | | | | | | | | 4 |
| 4 | HYL9006 | PIN & CHAIN ASSY | 2540-66-128-5682 | | | | | | | | | 2 |
| 5 | NSS | | | | | | | | | | | |
| 6 | NSS | | | | | | | | | | | |
| 7 | NSS | | | | | | | | | | | |
| 8 | NSS | | | | | | | | | | | |
| 9 | HYL9005 | 'R' CLIP | 5340-66-128-5681 | | | | | | | | | 2 |
| 10 | HYG6384 | POST-REAR-LH | | | | | | | | | | 1 |
| | HYG6385 | POST-REAR-RH | | | | | | | | | | 1 |
| 11 | HYL9048 | TIE-DOWN MODULE-REAR-LH | 2510-66-128-5684 | | | | | | | | | 1 |
| | HYL9049 | TIE-DOWN MODULE-REAR-RH | 2510-66-128-5683 | | | | | | | | | 1 |
| 12 | NY106041L | NUT-NYLOC | 5310-99-138-8423 | | | | | | | | | 6 |
| 13 | HYL9007 | BOLT | 5306-66-128-5685 | | | | | | | | | 6 |
| | | | | | | | | | | | | |
| 14 | HYL9008 | PIN & CHAIN ASSY | 2540-66-128-5686 | | | | | | | | | 6 |
| 15 | NSS | | | | | | | | | | | |
| 16 | NSS | | | | | | | | | | | |
| 17 | NSS | | | | | | | | | | | |
| 18 | HYL9050 | TIE-DOWN MODULE -CENTRE | 2510-66-128-5687 | | | | | | | | | 2 |
| 19 | HYL9009 | PIN-LASHING | 5315-66-128-5741 | | | | | | | | | 6 |
| 20 | HYL9010 | RING-LASHING | 2510-66-128-5742 | | | | | | | | | 6 |
| 21 | HYL9011 | SPLIT PIN | | | | | | | | | | 6 |
| 22 | HYL8937 | NUT-NYLOC | 5310-66-128-5502 | | | | | | | | | 6 |
| 23 | HYL8936 | BOLT | 5306-66-128-5501 | | | | | | | | | 6 |
| 24 | NSS | | | | | | | | | | | |

GROUP SRC/2



**SUPPORT PILLARS AND TIE-DOWN MODULES
- CARGO - CREW CAB ONLY**

PERENTIE LAND ROVER PARTS LIST

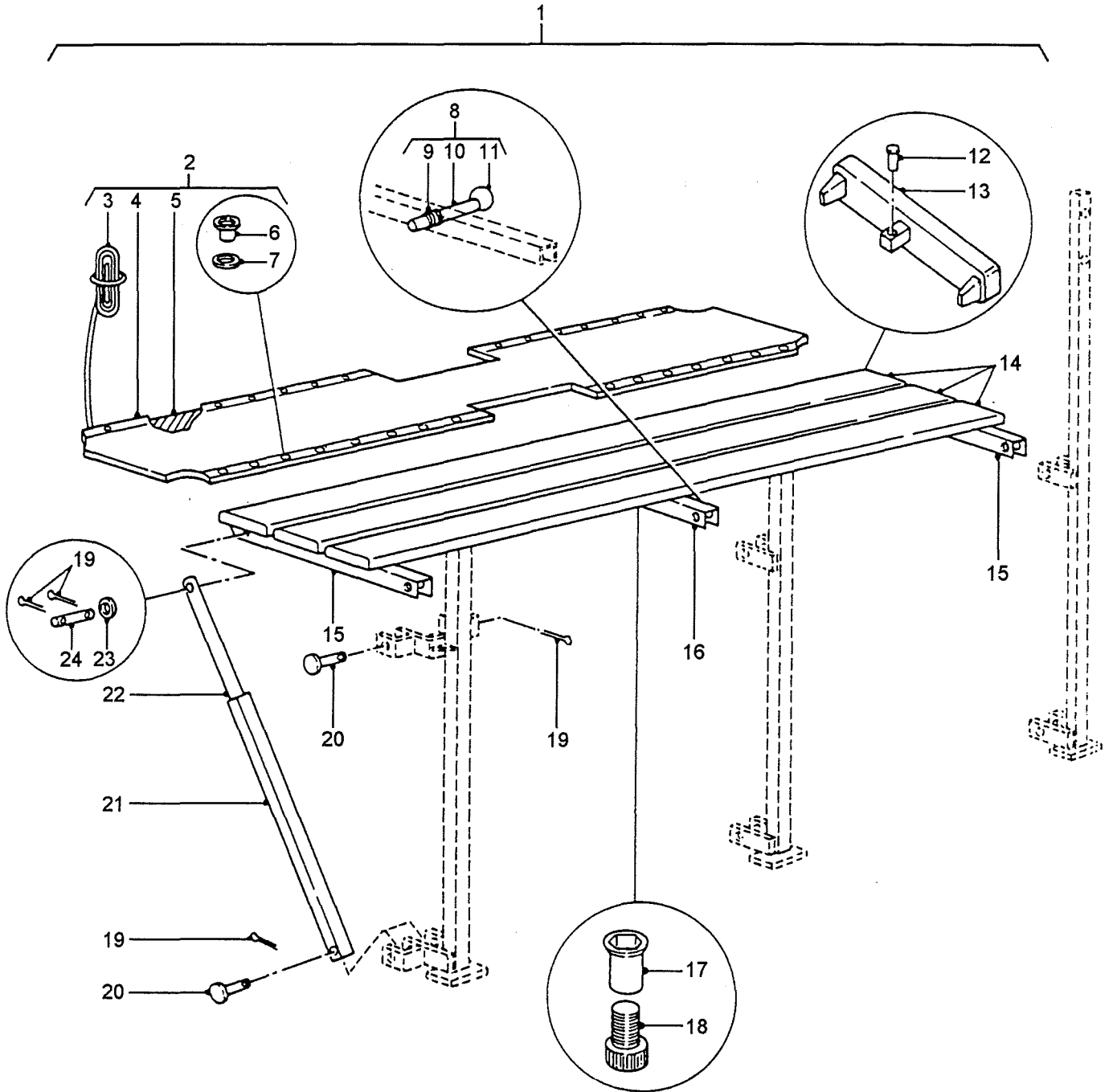
SRC /2/1 SUPPORT PILLARS AND TIE-DOWN MODULES - CARGO - CREW CAB ONLY
DERIVATIVE CODE

| <u>ITEM</u> | <u>PART NO.</u> | <u>DESCRIPTION</u> | <u>NSN</u> | <u>2185</u> | <u>2186</u> | <u>2208</u> | <u>2209</u> | <u>2210</u> | <u>2211</u> | <u>2212</u> | <u>2219</u> | <u>CP</u> |
|-------------|-----------------|--------------------|------------|-------------|-------------|-------------|-------------|-------------|-------------|-------------|-------------|-----------|
| 25 | NSS | | | | | | | | | | | |

CHANGE POINT

ARN INTRODUCTION

GROUP SS/1 SHEET 1

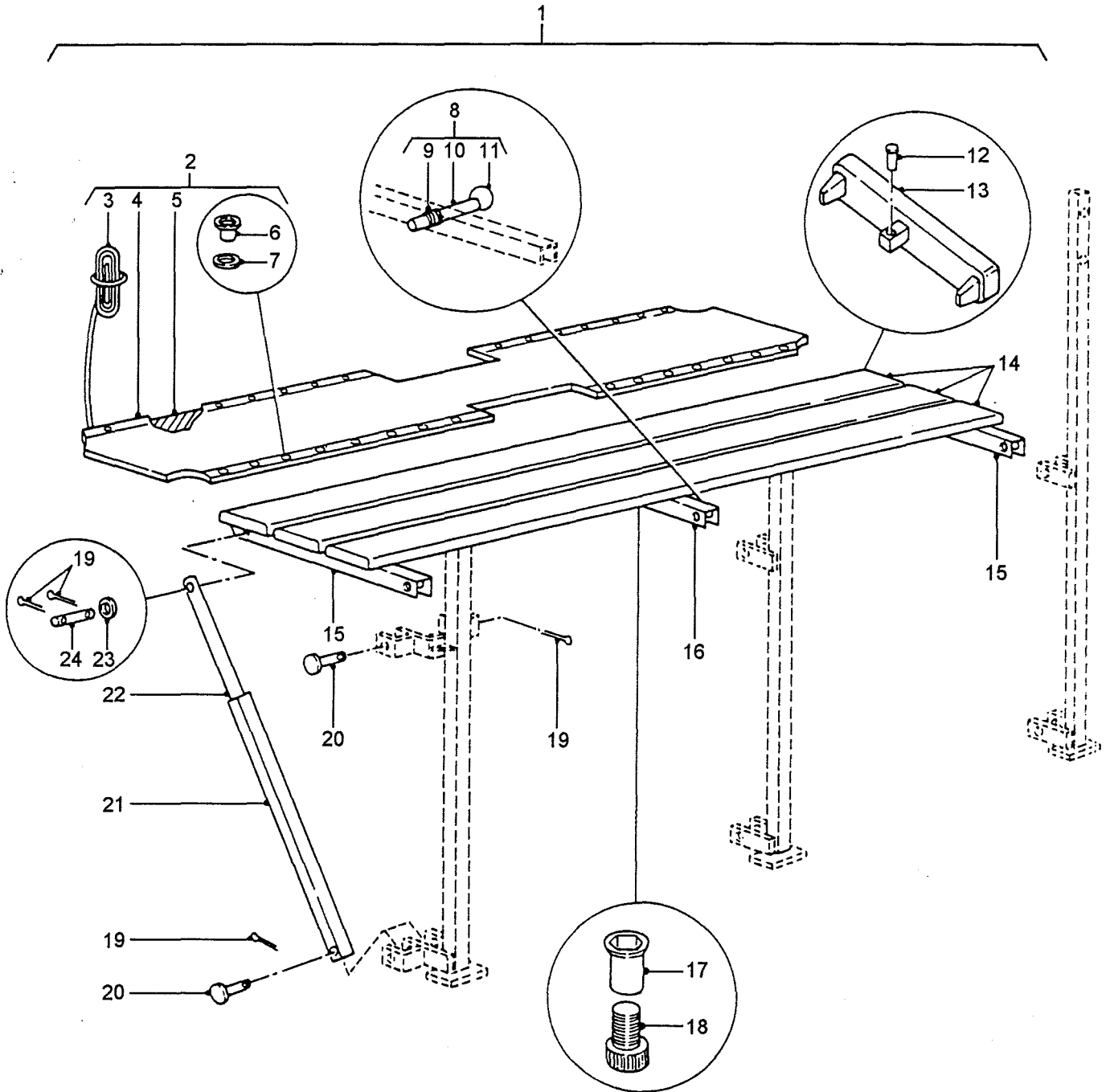


CARGO SEAT AND BACKREST ASSEMBLY

PERENTIE LAND ROVER PARTS LIST

| ITEM | PART NO. | DESCRIPTION | NSN | DERIVATIVE CODE | | | | | | |
|---|----------|--------------------------------------|------------------|-----------------|------|------|------|------|------|------|
| | | | | 2185 | 2186 | 2208 | 2209 | 2210 | 2211 | 2212 |
| SS /1/1 CARGO SEAT AND BACKREST ASSEMBLY | | | | | | | | | | |
| 1 | HYG3607 | SEAT ASSY-LH | 2540-66-128-5745 | 1 | 1 | | | | | |
| | HYG3608 | SEAT ASSY-RH | 2540-66-128-5746 | 1 | 1 | | | | | |
| 2 | HYG2891 | CUSHION SEAT (INCL ITEMS 3 - 7) | 2540-66-128-5582 | 2 | 2 | | | | | |
| 3 | NSS | | | | | | | | | |
| 4 | NSS | | | | | | | | | |
| 5 | NSS | | | | | | | | | |
| 6 | NSS | | | | | | | | | |
| 7 | NSS | | | | | | | | | |
| 8 | HYL8973 | PIN ASSY-LOCK (INCL ITEMS 9 - 11) | 2540-66-128-5747 | 2 | 2 | | | | | |
| 9 | NSS | | | | | | | | | |
| 10 | NSS | | | | | | | | | |
| 11 | NSS | | | | | | | | | |
| 12 | HYL8974 | RIVET | | 32 | 32 | | | | | |
| 13 | HYL8975 | FINISHER-END-SEAT | | 16 | 16 | | | | | |
| 14 | HYL8976 | PLANK-SEAT-REAR | | 3 | 3 | | | | | |
| | HYL8977 | PLANK-SEAT-FRONT | | 3 | 3 | | | | | |
| 15 | HYL8978 | CROSS MEMBER-MAIN | | 4 | 4 | | | | | |
| 16 | HYL8979 | CROSS MEMBER- INTERMEDIATE | | 2 | 2 | | | | | |
| 17 | HYL8980 | NUT-SOCKET | | 30 | 30 | | | | | |
| 18 | HYL8981 | SCREW-SOCKET | | 30 | 30 | | | | | |
| 19 | HYL8982 | PIN-SPLIT | | 24 | 24 | | | | | |
| 20 | HYL8983 | PIN | 5315-66-128-5748 | 12 | 12 | | | | | |
| 21 | HYL8984 | CHAIN-SUPPORT-SEAT | | 6 | 6 | | | | | |
| 22 | HYL8985 | TUBE-SUPPORT-SEAT-MAIN | | 4 | 4 | | | | | |
| | HYL8986 | TUBE-SUPPORT-SEAT- INTERMEDIATE | | 2 | 2 | | | | | |

GROUP SS/1 SHEET 1



CARGO SEAT AND BACKREST ASSEMBLY

PERENTIE LAND ROVER PARTS LIST

SS /1/1

CARGO SEAT AND BACKREST ASSEMBLY

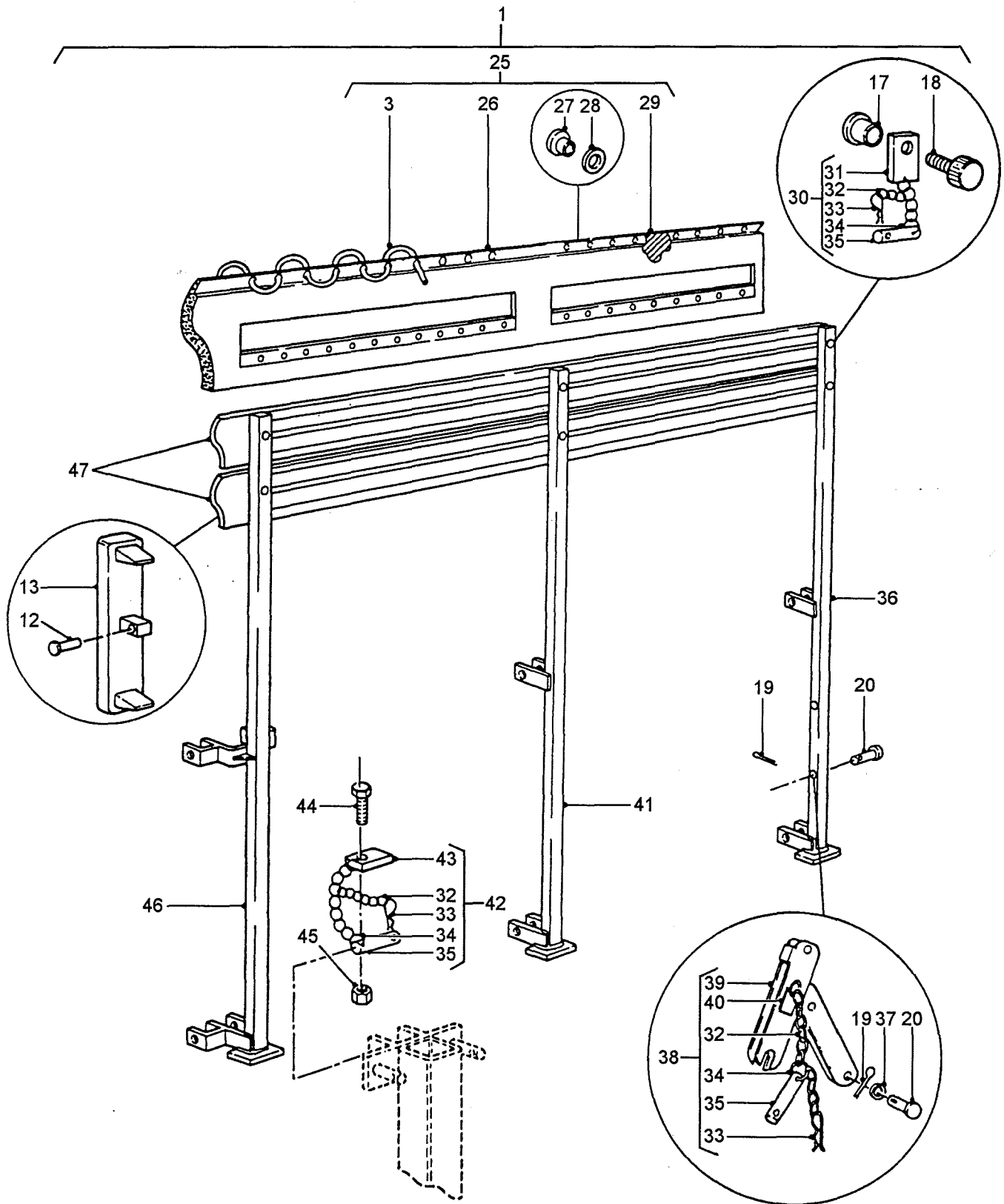
DERIVATIVE CODE

| <u>ITEM</u> | <u>PART NO.</u> | <u>DESCRIPTION</u> | <u>NSN</u> | <u>2185</u> | <u>2186</u> | <u>2208</u> | <u>2209</u> | <u>2210</u> | <u>2211</u> | <u>2212</u> | <u>2219</u> | <u>CP</u> |
|-------------|-----------------|--------------------|------------------|-------------|-------------|-------------|-------------|-------------|-------------|-------------|-------------|-----------|
| 23 | HYL8987 | SPACER | | 6 | 6 | | | | | | | |
| 24 | HYL8988 | PIN | 5315-66-128-5749 | 6 | 6 | | | | | | | |

CHANGE POINT

ARN INTRODUCTION

GROUP SS/1 SHEET 2



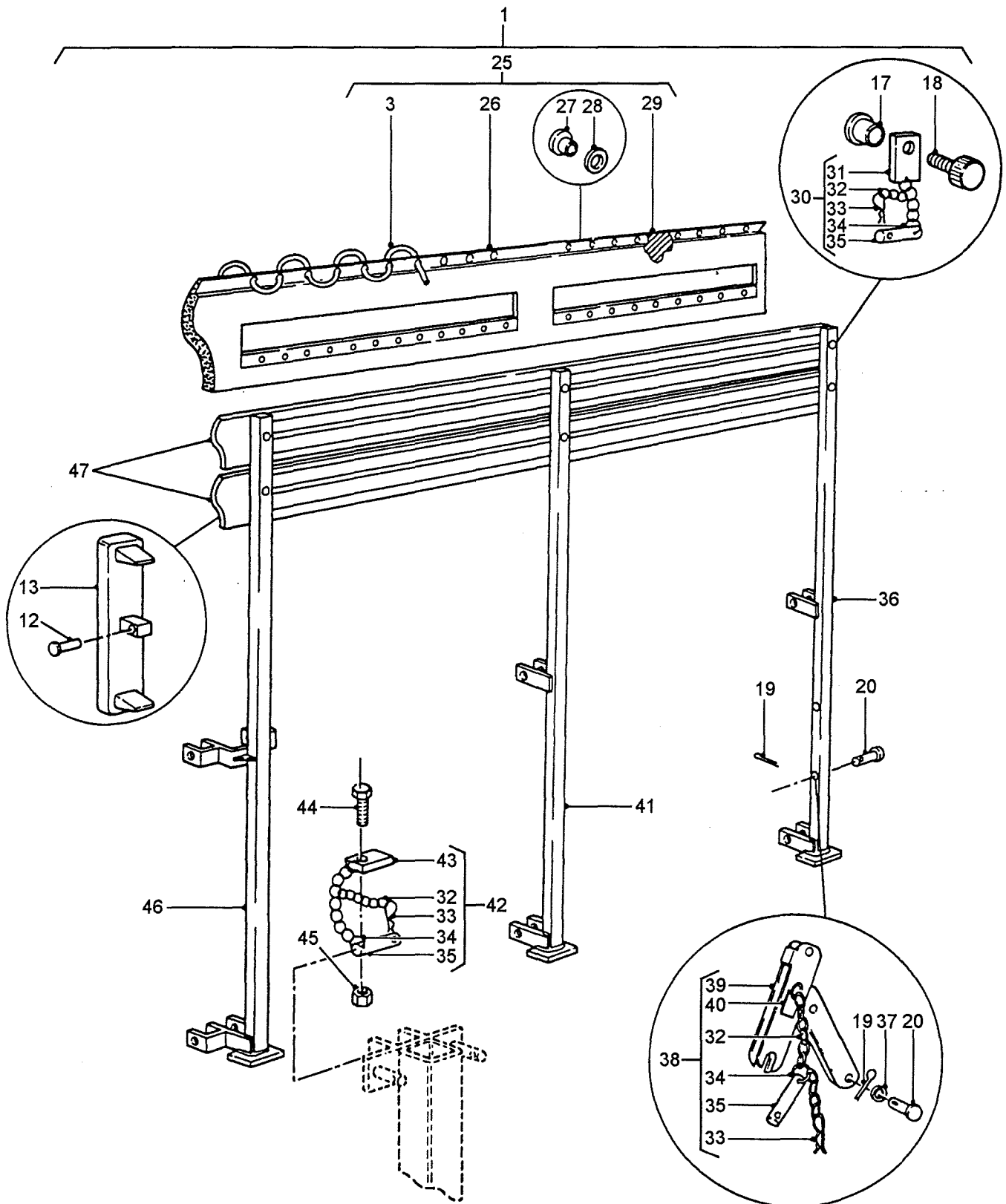
CARGO SEAT AND BACKREST ASSEMBLY - CONTINUED

PERENTIE LAND ROVER PARTS LIST

SS /1/2 CARGO SEAT AND BACKREST ASSEMBLY - CONTINUED

DERIVATIVE CODE

| ITEM | PART NO. | DESCRIPTION | NSN | 2185 | 2186 | 2208 | 2209 | 2210 | 2211 | 2212 | 2219 | CP |
|------|----------|---|------------------|------|------|------|------|------|------|------|------|----|
| 3 | NSS | | | | | | | | | | | |
| 12 | HYL8974 | RIVET | | 32 | 32 | | | | | | | |
| 13 | HYL8975 | FINISHER-SEAT | | 16 | 16 | | | | | | | |
| 17 | HYL8980 | NUT-SOCKET | | 30 | 30 | | | | | | | |
| 18 | HYL8981 | SCREW-SOCKET | | 30 | 30 | | | | | | | |
| 19 | HYL8982 | PIN-SPLIT | | 24 | 24 | | | | | | | |
| 20 | HYL8983 | PIN | 5315-66-128-5748 | 12 | 12 | | | | | | | |
| 25 | HYG2892 | SQUAB-SEAT | 2540-66-128-5583 | 1 | 1 | | | | | | | |
| 26 | NSS | | | | | | | | | | | |
| 27 | NSS | | | | | | | | | | | |
| 28 | NSS | | | | | | | | | | | |
| 29 | NSS | | | | | | | | | | | |
| 30 | HYL8989 | PIN & CLIP ASSY (INCL ITEMS 31 - 35) | 2540-66-128-5750 | 9 | 9 | | | | | | | |
| 31 | NSS | | | | | | | | | | | |
| 32 | NSS | | | | | | | | | | | |
| 33 | HYL9005 | 'R' CLIP | 5340-66-128-5681 | 9 | 9 | | | | | | | |
| 34 | NSS | | | | | | | | | | | |
| 35 | NSS | | | | | | | | | | | |
| 36 | HYL9053 | POST-SEAT-REAR-LH | | 1 | 1 | | | | | | | |
| | HYL9054 | POST-SEAT-REAR-RH | | 1 | 1 | | | | | | | |
| 37 | HYL8948 | WASHER-PLAIN | | 6 | 6 | | | | | | | |
| 38 | HYL8990 | BRACE-LEG | 2540-66-128-5751 | 2 | 2 | | | | | | | |
| | HYL8991 | BRACE-LEG-FRONT | 2540-66-128-5752 | 1 | 1 | | | | | | | |
| 39 | NSS | | | | | | | | | | | |
| 40 | NSS | | | | | | | | | | | |
| 41 | HYL8992 | POST-SEAT -INTERMEDIATE-LH | | 1 | 1 | | | | | | | |
| | HYL8993 | POST-SEAT -INTERMEDIATE-RH | | 1 | 1 | | | | | | | |

GROUP SS/1 SHEET 2

**CARGO SEAT AND BACKREST ASSEMBLY
- CONTINUED**

PERENTIE LAND ROVER PARTS LIST

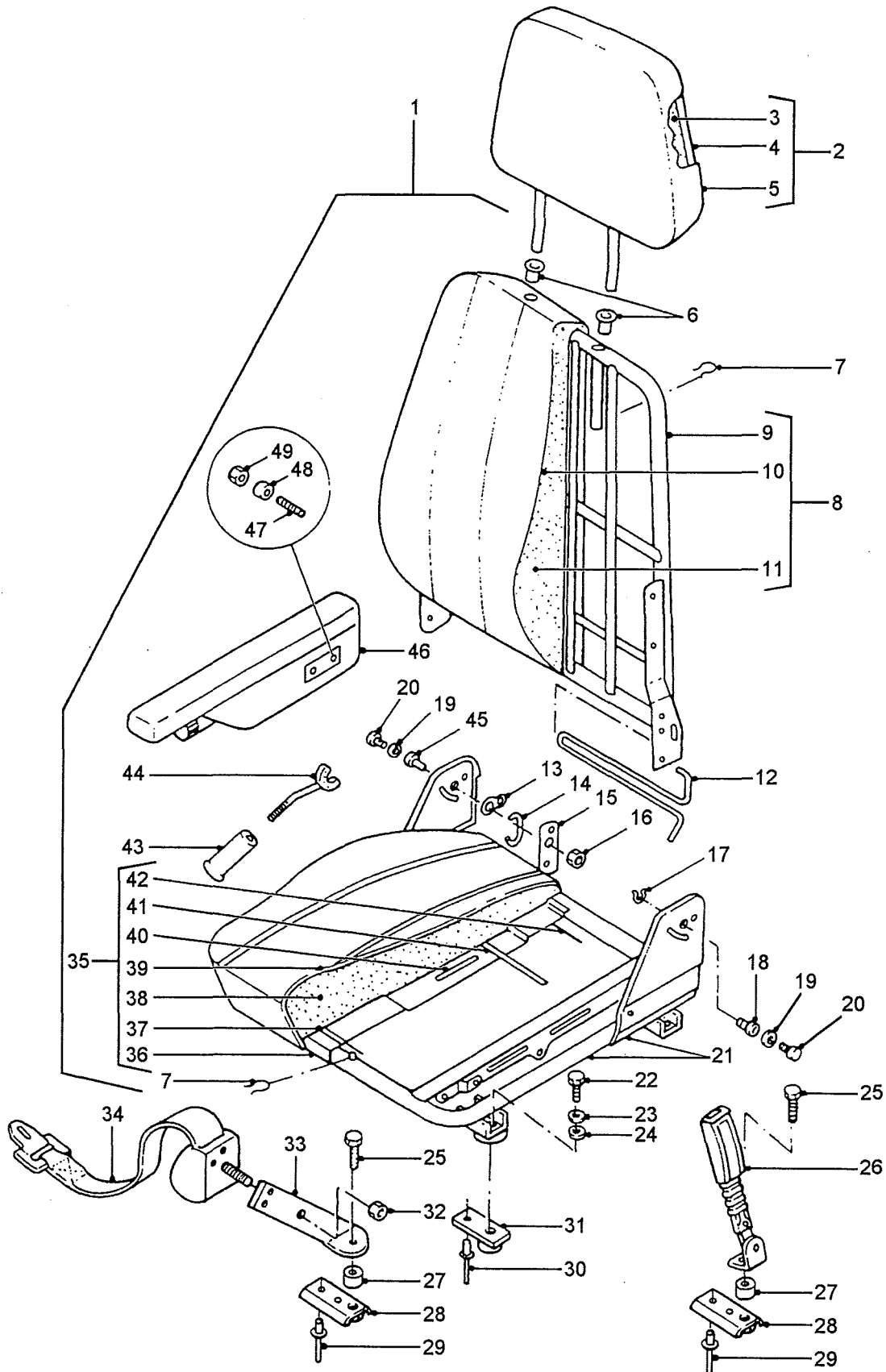
| ITEM | PART NO. | DESCRIPTION | NSN | DERIVATIVE CODE | | | | | | | |
|--|-----------|-------------------------------------|------------------|-----------------|------|------|------|------|------|------|------|
| | | | | 2185 | 2186 | 2208 | 2209 | 2210 | 2211 | 2212 | 2219 |
| SS /1/2 CARGO SEAT AND BACKREST ASSEMBLY - CONTINUED | | | | | | | | | | | |
| 42 | HYL8994 | PIN & CHAIN ASSY | 2540-66-128-5753 | 6 | 6 | | | | | | |
| 43 | NSS | | | | | | | | | | |
| 44 | FS106201 | SCREW | 5305-99-122-5361 | 6 | 6 | | | | | | |
| 45 | HYL8951 | NUT-NYLOC | | 6 | 6 | | | | | | |
| 46 | HYL9055 | POST-SEAT-CENTRE-LH | | 1 | 1 | | | | | | |
| | HYL9056 | POST-SEAT-CENTRE-RH | | 1 | 1 | | | | | | |
| | HYL9057 | POST-SEAT-FRONT-LH | | 1 | 1 | | | | | | |
| | HYL9058 | POST-SEAT-FRONT-RH | | 1 | 1 | | | | | | |
| 47 | HYL8995 | PLANK-BACKREST-SEAT | | 2 | 2 | | | | | | |
| | HYG4606 | HANDLE-GRAB-SEAT | | 2 | 2 | | | | | | 01 |
| | SE108351 | SCREW-GRAB HANDLE TO SEAT PLANKS | | 4 | 4 | | | | | | 01 |
| | WA108051L | WASHER-PLAIN | 5310-99-122-6475 | 8 | 8 | | | | | | 01 |
| | WL108001L | WASHER-LOCK | 5310-99-138-9227 | 4 | 4 | | | | | | 01 |
| | FN108041 | NUT | 5310-99-499-8033 | 4 | 4 | | | | | | 01 |

CHANGE POINT

ARN INTRODUCTION

50-851 CARGO, 50-860 CARGO, 50-887 TO 50-890 CARGO & WINCH, 50-893 TO
50-900 CARGO, 51-571 TO 51-574 CARGO, 51-982 CARGO, 51-954 TO 51-972 CARGO
& WINCH

GROUP SS/2



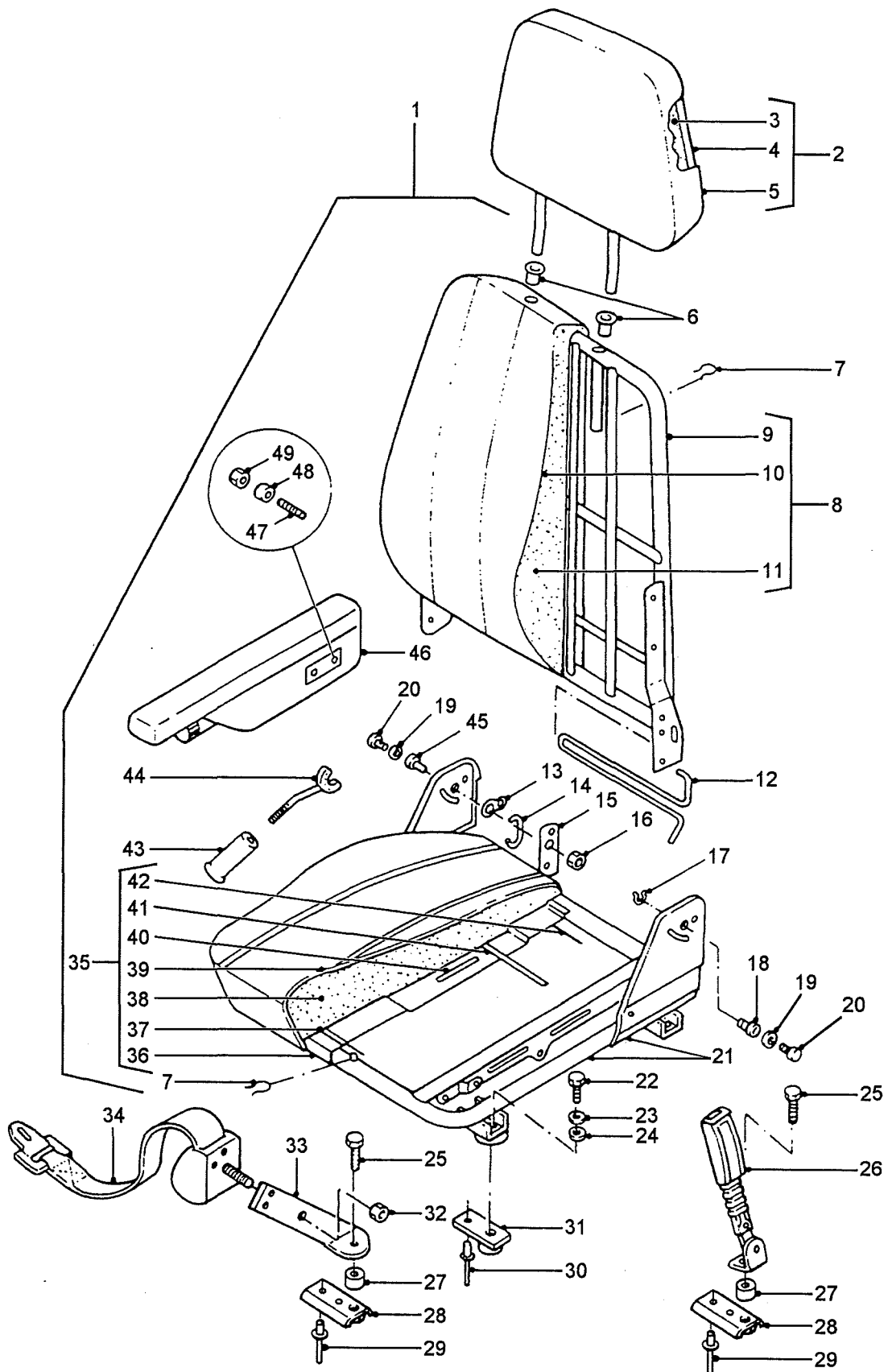
**REAR SEAT (ISRI) AND SEAT BELT
- LRPV ONLY**

PERENTIE LAND ROVER PARTS LIST

SS 12/1 REAR SEAT (ISRI) AND SEAT BELT - LRPV ONLY

| ITEM | PART NO. | DESCRIPTION | NSN | DERIVATIVE CODE | | | | | | | |
|------|-----------|-------------------------------------|------------------|-----------------|------|------|------|------|------|------|------|
| | | | | 2185 | 2186 | 2208 | 2209 | 2210 | 2211 | 2212 | 2219 |
| 1 | HYG5924 | SEAT ASSY-REAR | 2540-66-128-6252 | | | | | | | 1 | |
| 2 | HYG5671 ✓ | HEAD RESTRAINT ASSY | | | | | | | | 1 | |
| 3 | NSS | | | | | | | | | | |
| 4 | NSS | | | | | | | | | | |
| 5 | NSS | | | | | | | | | | |
| 6 | HYM465 | BUSH | | | | | | | | 2 | |
| 7 | HYL9613 | CLIP | 2540-66-128-5942 | | | | | | | 1 | |
| 8 | HYL8690 | SQUAB ASSY (INCLUDES ITEMS 9-11) | 2540-66-128-4734 | | | | | | | 1 | |
| 9 | NSS | | | | | | | | | | |
| 10 | NSS | | | | | | | | | | |
| 11 | NSS | | | | | | | | | | |
| 12 | HYL8698 | BAR-TORSION | | | | | | | | 1 | |
| 13 | HYL8681 | LINK | | | | | | | | 1 | |
| 14 | HYL8682 | SPRING-BOW | | | | | | | | 1 | |
| 15 | HYL8684 | LEVER | | | | | | | | 1 | |
| 16 | HYL8685 | NUT | 5310-66-128-4909 | | | | | | | 1 | |
| 17 | HYL8700 | CIRCLIP | 5365-66-128-4910 | | | | | | | 1 | |
| 18 | HYL8679 | BUSH | 3120-66-128-4913 | | | | | | | 1 | |
| 19 | HYL8694 | WASHER-LOCK | 5310-66-128-4911 | | | | | | | 2 | |
| 20 | HYL8680 | BOLT | 5306-66-128-4912 | | | | | | | 2 | |
| 21 | HYL9614 | FRAME-CUSHION | | | | | | | | 1 | |
| 22 | FS108301 | SCREW | 5305-99-122-5368 | | | | | | | 2 | |
| | SH108501L | SCREW | 5305-99-136-3260 | | | | | | | 2 | |
| 23 | WL108001L | WASHER-LOCK | 5310-99-138-9227 | | | | | | | 4 | |
| 24 | WA108051L | WASHER-PLAIN | 5310-99-122-6475 | | | | | | | 4 | |
| 25 | MYH3601 | SCREW | | | | | | | | 2 | |
| 26 | HYG5575 | STALK/BUCKLE ASSY | 2540-66-128-6183 | | | | | | | 1 | |
| 27 | MYH3602 | SPACER | | | | | | | | 2 | |
| 28 | HYG5678 | PLATE-ANCHORAGE | | | | | | | | 2 | |

GROUP SS/2

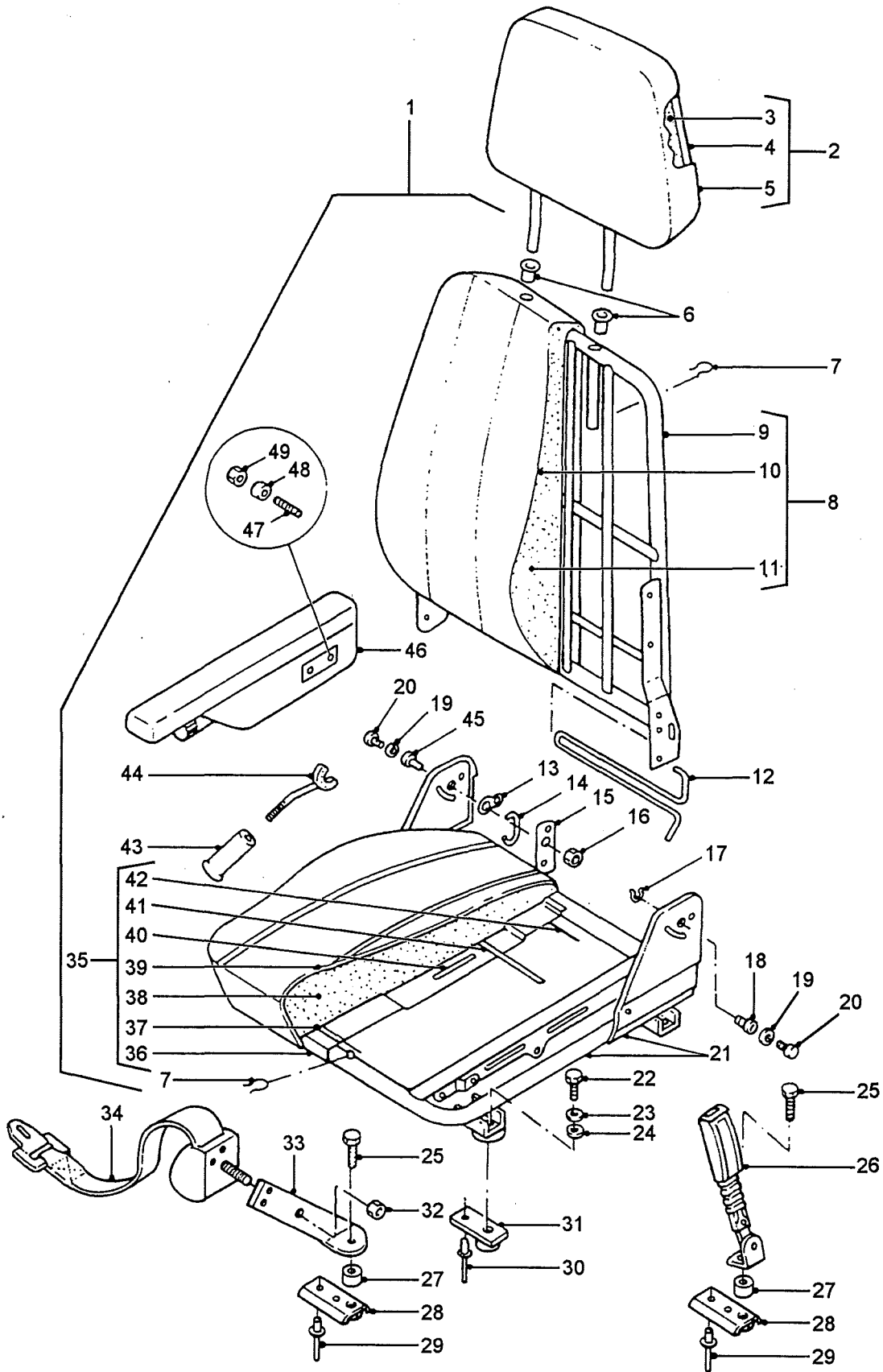


**REAR SEAT (ISRI) AND SEAT BELT
- LRPV ONLY**

PERENTIE LAND ROVER PARTS LIST

| ITEM | PART NO. | DESCRIPTION | NSN | DERIVATIVE CODE | | | | | | |
|--|-------------|---|------------------|-----------------|------|------|------|------|------|------|
| | | | | 2185 | 2186 | 2208 | 2209 | 2210 | 2211 | 2212 |
|) SS /2/1 REAR SEAT (ISRI) AND SEAT BELT - LRPV ONLY | | | | | | | | | | |
| 29 | RA612253L | POP RIVET | 5320-66-128-5117 | | | | | | | 4 |
| 30 | RA608176L | POP RIVET | 5320-99-941-7268 | | | | | | | 4 |
| 31 | HYG4270 | BUSH AND PLATE ASSY | | | | | | | | 4 |
| 32 | NY607041L ✓ | NUT-NYLOC | 5310-99-941-7650 | | | | | | | 1 |
| 33 | HYG5677 | BRACKET-MOUNT-INERTIA REEL | | | | | | | | 1 |
| 34 | HYG4649 | SEAT BELT ASSY-REAR | 2540-66-128-6182 | | | | | | | 1 |
| 35 | HYL8692 ✓ | CUSHION ASSY (INCLUDES ITEMS 36-42) | 2540-66-128-4748 | | | | | | | 1 |
| 36 | NSS | | | | | | | | | |
| 37 | NSS | | | | | | | | | |
| 38 | NSS | | | | | | | | | |
| 39 | NSS | | | | | | | | | |
| 40 | NSS | | | | | | | | | |
| 41 | NSS | | | | | | | | | |
| 42 | NSS | | | | | | | | | |
| 43 | HYL8676 ? | KNOB-RECLINER & SEAT ADJUSTERS | 2540-66-128-5031 | | | | | | | 1 |
| 44 | HYL8677 | LEVER-ADJUSTMENT | 2540-66-128-4772 | | | | | | | 1 |
| 45 | HYL8686 | BOLT | 5306-66-128-4920 | | | | | | | 1 |
| 46 | HYM463 ✓ | ARMREST-RH | 2590-66-128-6254 | | | | | | | 1 |
| | HYM464 ✓ | ARMREST-LH | 2590-66-128-6253 | | | | | | | 1 |
| 47 | NSS | | | | | | | | | |
| 48 | NSS | | | | | | | | | |
| 49 | HYL8696 | NUT-NYLOC | 5310-66-128-4918 | | | | | | | 4 |
| | HYG5609 ✓ | COVER-CUSHION-DPP | | | | | | | | 1 |
| | HYG5608 ✓ | COVER-SQUAB-DPP | | | | | | | | 1 |
| | MRC5016 | BUFFER-RUBBER-REAR OF SEAT SQUAB | | | | | | | | 1 |
| | WC105001L | WASHER-PLAIN-BUFFER TO REAR OF SEAT SQUAB | 5310-99-122-3032 | | | | | | | 2 |

GROUP SS/2



**REAR SEAT (ISRI) AND SEAT BELT
- LRPV ONLY**

PERENTIE LAND ROVER PARTS LIST

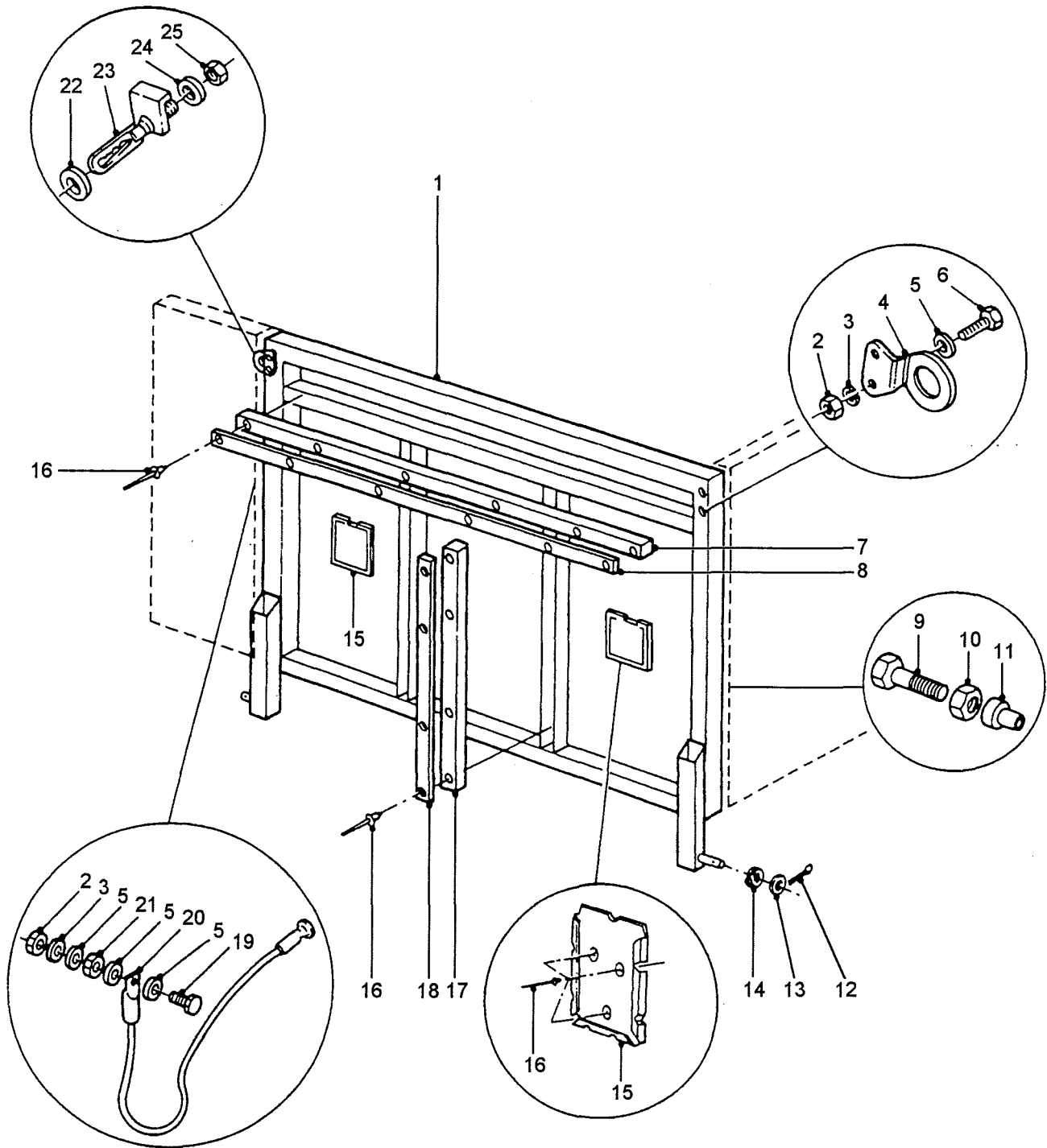
SS /2/1 REAR SEAT (ISRI) AND SEAT BELT - LRPV ONLY

| <u>ITEM</u> | <u>PART NO.</u> | <u>DESCRIPTION</u> | <u>NSN</u> | <u>DERIVATIVE CODE</u> | | | | | | | | | |
|-------------|-----------------|---|------------------|------------------------|-------------|-------------|-------------|-------------|-------------|-------------|-------------|-----------|---|
| | | | | <u>2185</u> | <u>2186</u> | <u>2208</u> | <u>2209</u> | <u>2210</u> | <u>2211</u> | <u>2212</u> | <u>2219</u> | <u>CP</u> | |
| | RA612253L | POP RIVET-BUFFER TO REAR OF SEAT SQUAB | 5320-66-128-5117 | | | | | | | | | | 2 |

CHANGE POINT

ARN INTRODUCTION

GROUP ST



TAILBOARD AND FITTINGS - LRPV ONLY

PERENTIE LAND ROVER PARTS LIST

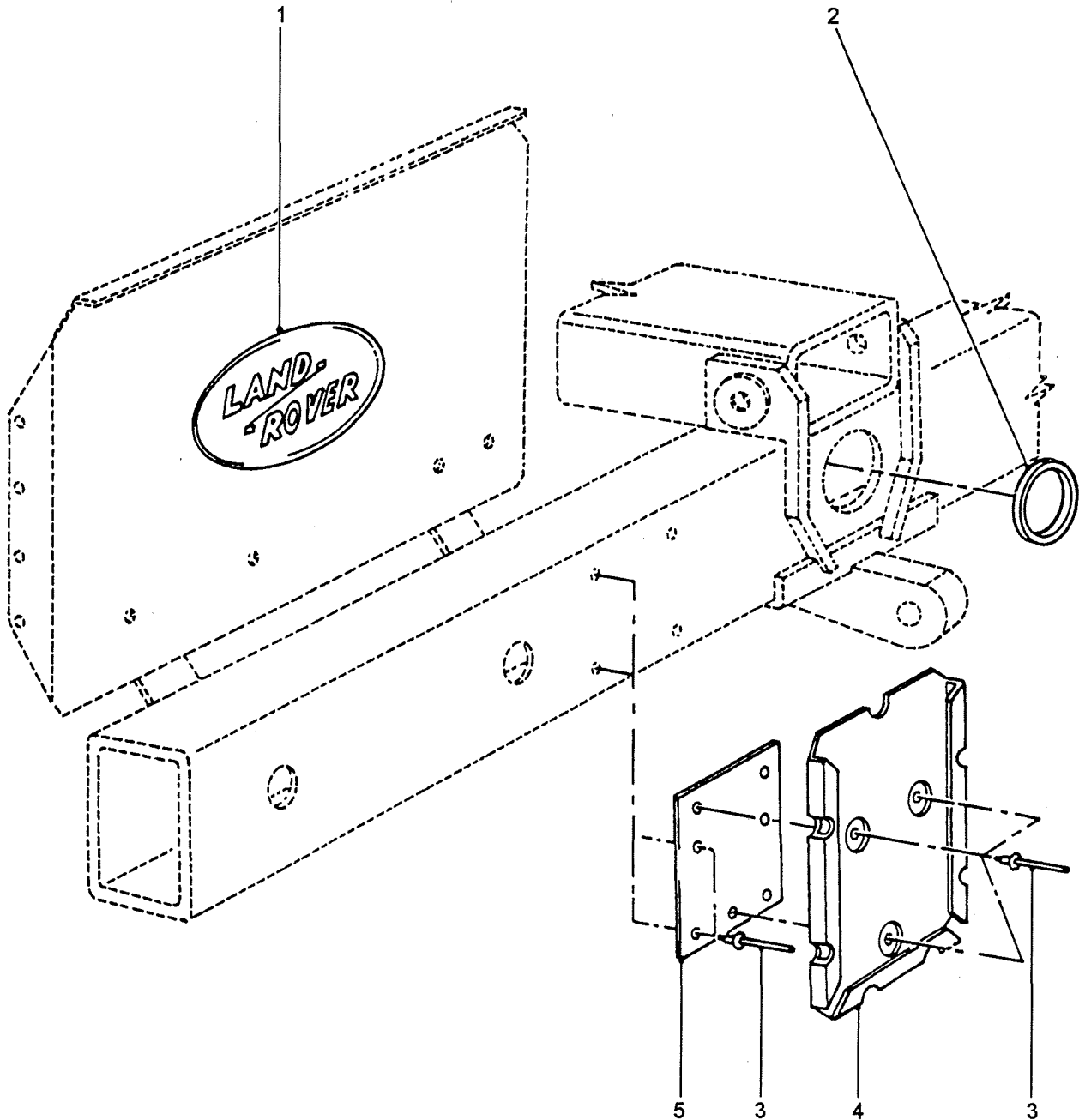
ST /1/1 TAILBOARD AND FITTINGS - LRPV ONLY

DERIVATIVE CODE

| ITEM | PART NO. | DESCRIPTION | NSN | DERIVATIVE CODE | | | | | | | | | |
|------|-------------|---|------------------|-----------------|------|------|------|------|------|------|------|----|----|
| | | | | 2185 | 2186 | 2208 | 2209 | 2210 | 2211 | 2212 | 2219 | CP | |
| 1 | HYG4004 | TAILBOARD ASSY | 2510-66-128-6383 | | | | | | | | | | 1 |
| 2 | FN108041 | NUT | 5310-99-499-8033 | | | | | | | | | | 6 |
| 3 | WL108001L | WASHER-LOCK | 5310-99-138-9227 | | | | | | | | | | 6 |
| 4 | MUC8746 | PLATE-LOCKING | 2510-99-737-3373 | | | | | | | | | | 2 |
| 5 | WA108051L | WASHER-PLAIN | 5310-99-122-6475 | | | | | | | | | | 10 |
| 6 | FS108251 | SCREW | 5305-99-122-5367 | | | | | | | | | | 4 |
| 7 | HYG4024 | STRIP-BUFFER | | | | | | | | | | | 1 |
| 8 | HYG4026 | STRIP-CLAMP | | | | | | | | | | | 1 |
| 9 | FB106081 | BOLT | 5306-99-122-5246 | | | | | | | | | | 2 |
| 10 | NH106041L | NUT | 5310-66-098-4401 | | | | | | | | | | 2 |
| 11 | MM106301 | RIVNUT | 5310-66-128-5543 | | | | | | | | | | 2 |
| 12 | PS612071 | SPLIT PIN | 5315-66-097-0345 | | | | | | | | | | 1 |
| 13 | WA600091L | WASHER-PLAIN | 5310-66-012-6841 | | | | | | | | | | 1 |
| 14 | WS600091 | WASHER-LOCK | 5310-99-941-6632 | | | | | | | | | | 1 |
| 15 | HYK2674 | HOLDER-UNIT SIGN | 2590-66-016-0815 | | | | | | | | | | 2 |
| 16 | RU612373L | POP RIVET | 5320-99-120-9002 | | | | | | | | | | 20 |
| 17 | HYG5654 | STRIP-BUFFER | | | | | | | | | | | 2 |
| 18 | HYG5656 | STRIP-CLAMPING | | | | | | | | | | | 2 |
| 19 | FB108081 | BOLT | 5306-99-122-5254 | | | | | | | | | | 2 |
| 20 | RRC5539 | CABLE-TAILBOARD | 2540-99-737-8664 | | | | | | | | | | 2 |
| 21 | NY108041L | NUT-NYLOC | 5310-99-122-5496 | | | | | | | | | | 2 |
| 22 | HYG2430 | BUFFER -ANTILUCE COTTER | 5365-66-128-6284 | | | | | | | | | | 2 |
| 23 | MUC8748 | ANTILUCE COTTER-TAILBOARD RETENTION | 5340-99-737-2994 | | | | | | | | | | 2 |
| 24 | WA112081L | WASHER-PLAIN | 5310-99-122-6477 | | | | | | | | | | 2 |
| 25 | NY112041L | NUT-NYLOC | 5310-99-768-7269 | | | | | | | | | | 2 |
| | MYH5350/816 | STRIP-BUFFER | 9320-66-128-6285 | | | | | | | | | | 1 |
| | MYH5350/860 | STRIP-BUFFER | 9320-66-128-6285 | | | | | | | | | | 1 |

CHANGE POINT

ARN INTRODUCTION

GROUP STA/1

**REAR END BODY FIXTURES
- EXCEPT CREW CAB AND LRPV**

PERENTIE LAND ROVER PARTS LIST

STA /1/1 REAR END BODY FIXTURES - EXCEPT CREW CAB AND LRPV

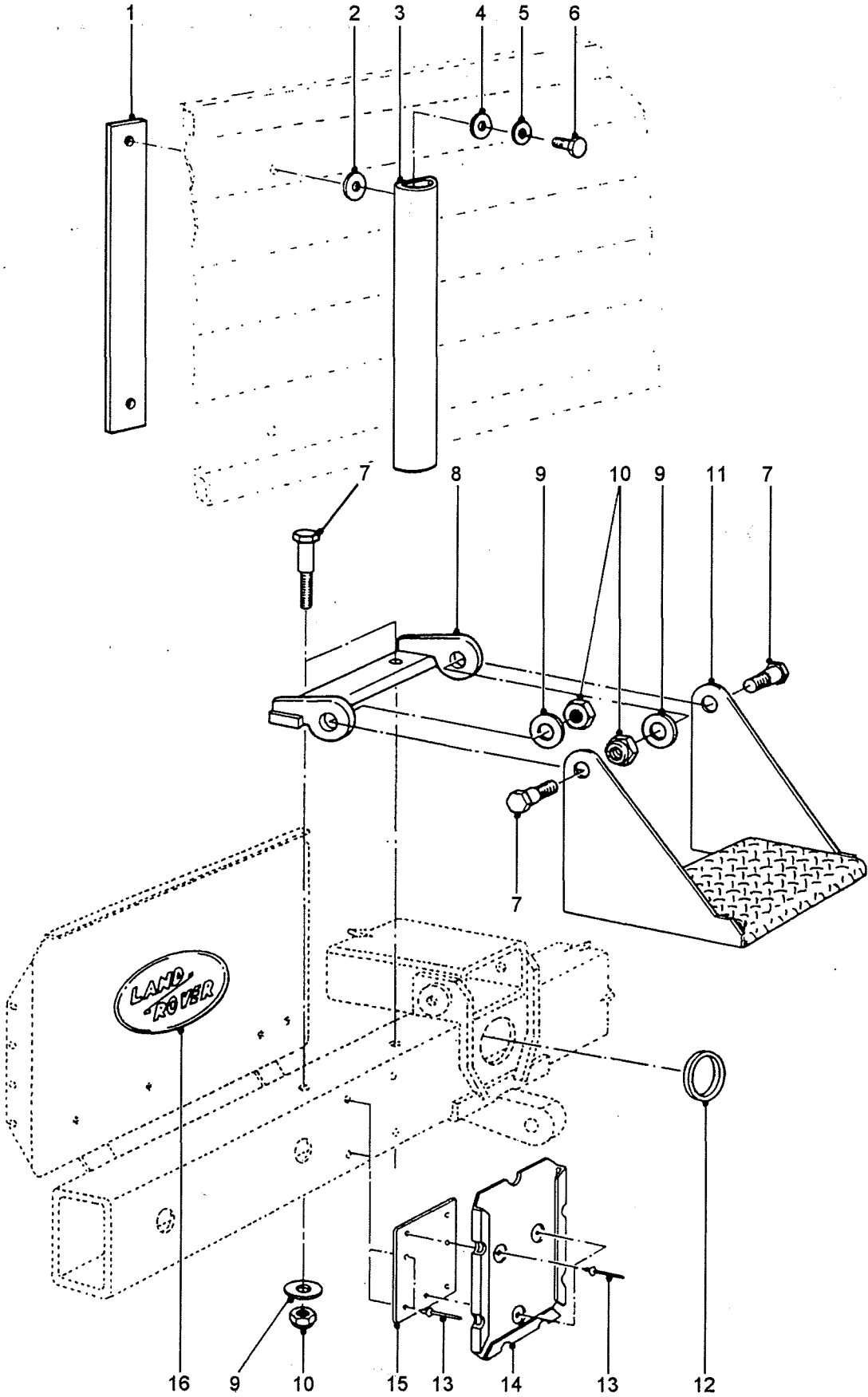
DERIVATIVE CODE

| <u>ITEM</u> | <u>PART NO.</u> | <u>DESCRIPTION</u> | <u>NSN</u> | <u>2185</u> | <u>2186</u> | <u>2208</u> | <u>2209</u> | <u>2210</u> | <u>2211</u> | <u>2212</u> | <u>2219</u> | <u>CP</u> |
|-------------|-----------------|---|------------------|-------------|-------------|-------------|-------------|-------------|-------------|-------------|-------------|-----------|
| 1 | MXC6401 | DECAL-REAR -"LAND ROVER" | 2540-66-128-6103 | 1 | 1 | 1 | 1 | 1 | | | 1 | |
| 2 | MYH3206 | PLUG-BLANKING-CHASSIS REAR CROSSMEMBER | 5340-66-128-5456 | 2 | 2 | 2 | 2 | 2 | | | 2 | |
| 3 | R78248 | POP RIVET | 5320-99-970-3518 | 14 | 14 | 14 | 14 | 14 | | | 14 | |
| 4 | HYK2674 | HOLDER-UNIT SIGN | 2590-66-016-0815 | 2 | 2 | 2 | 2 | 2 | | | 2 | |
| 5 | AYG8688 | ADAPTOR-UNIT SIGN HOLDER | | 2 | 2 | 2 | 2 | 2 | | | 2 | |

CHANGE POINT

ARN INTRODUCTION

GROUP STA/2



**REAR END BODY FIXTURES
- CREW CAB ONLY**

PERENTIE LAND ROVER PARTS LIST

STA /2/1 REAR END BODY FIXTURES - CREW CAB ONLY

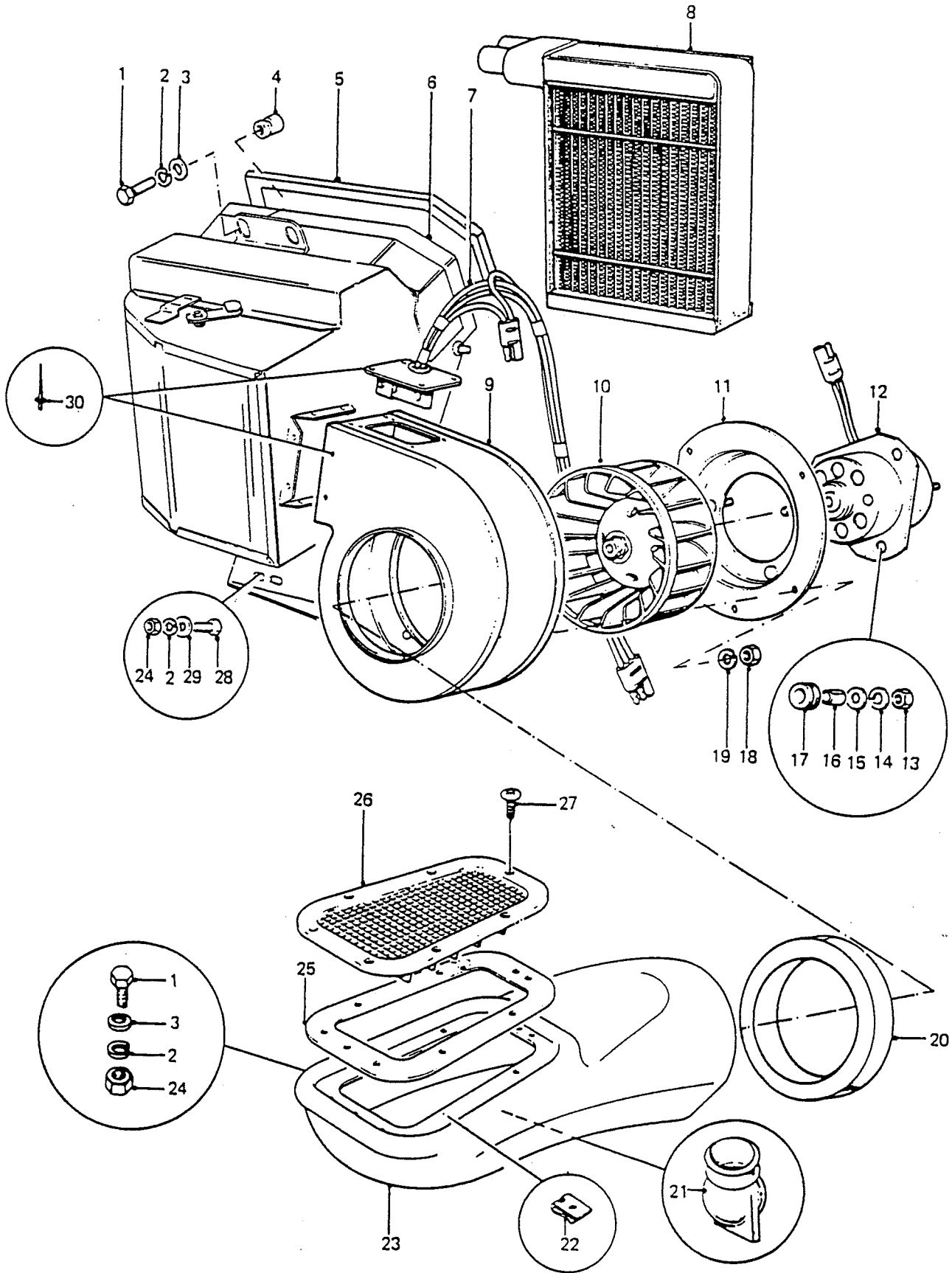
DERIVATIVE CODE

| <u>ITEM</u> | <u>PART NO.</u> | <u>DESCRIPTION</u> | <u>NSN</u> | <u>2185</u> | <u>2186</u> | <u>2208</u> | <u>2209</u> | <u>2210</u> | <u>2211</u> | <u>2212</u> | <u>2219</u> | <u>CP</u> |
|-------------|-----------------|--------------------------------|------------------|-------------|-------------|-------------|-------------|-------------|-------------|-------------|-------------|-----------|
| 1 | HYG3115 | NUT PLATE | 5310-66-128-6440 | | | | | | | | | 2 |
| 2 | WC108051L | WASHER-PLAIN | | | | | | | | | | 8 |
| 3 | HYG3114 | STRIP-RUBBER | 5330-66-128-5190 | | | | | | | | | 2 |
| 4 | WL108001L | WASHER-LOCK | 5310-99-138-9227 | | | | | | | | | 4 |
| 5 | WC106041L | WASHER-PLAIN | 5310-99-122-3411 | | | | | | | | | 4 |
| 6 | BH106091L | BOLT | | | | | | | | | | 4 |
| 7 | FS110301 | SCREW | 5305-66-098-4283 | | | | | | | | | 8 |
| 8 | BYG5212 | BRACKET-MOUNTING -REAR STEP | | | | | | | | | | 2 |
| 9 | WC110061L | WASHER-PLAIN | 5310-66-128-4614 | | | | | | | | | 8 |
| 10 | NY110041L | NUT-NYLOC | 5310-99-122-5497 | | | | | | | | | 8 |
| 11 | BYG5208 | STEP-TAILGATE | 2510-66-128-6441 | | | | | | | | | 2 |
| 12 | MYH3206 | PLUG-BLANKING | 5340-66-128-5456 | | | | | | | | | 2 |
| 13 | R78248 | POP RIVET | 5320-99-970-3518 | | | | | | | | | 14 |
| 14 | HYK2674 | HOLDER-UNIT SIGN | 2590-66-016-0815 | | | | | | | | | 2 |
| 15 | AYG8688 | ADAPTOR-UNIT SIGN HOLDER | | | | | | | | | | 2 |
| 16 | MXC6401 | DECAL-REAR -"LAND ROVER" | 2540-66-128-6103 | | | | | | | | | 1 |

CHANGE POINT

ARN INTRODUCTION

GROUP TA

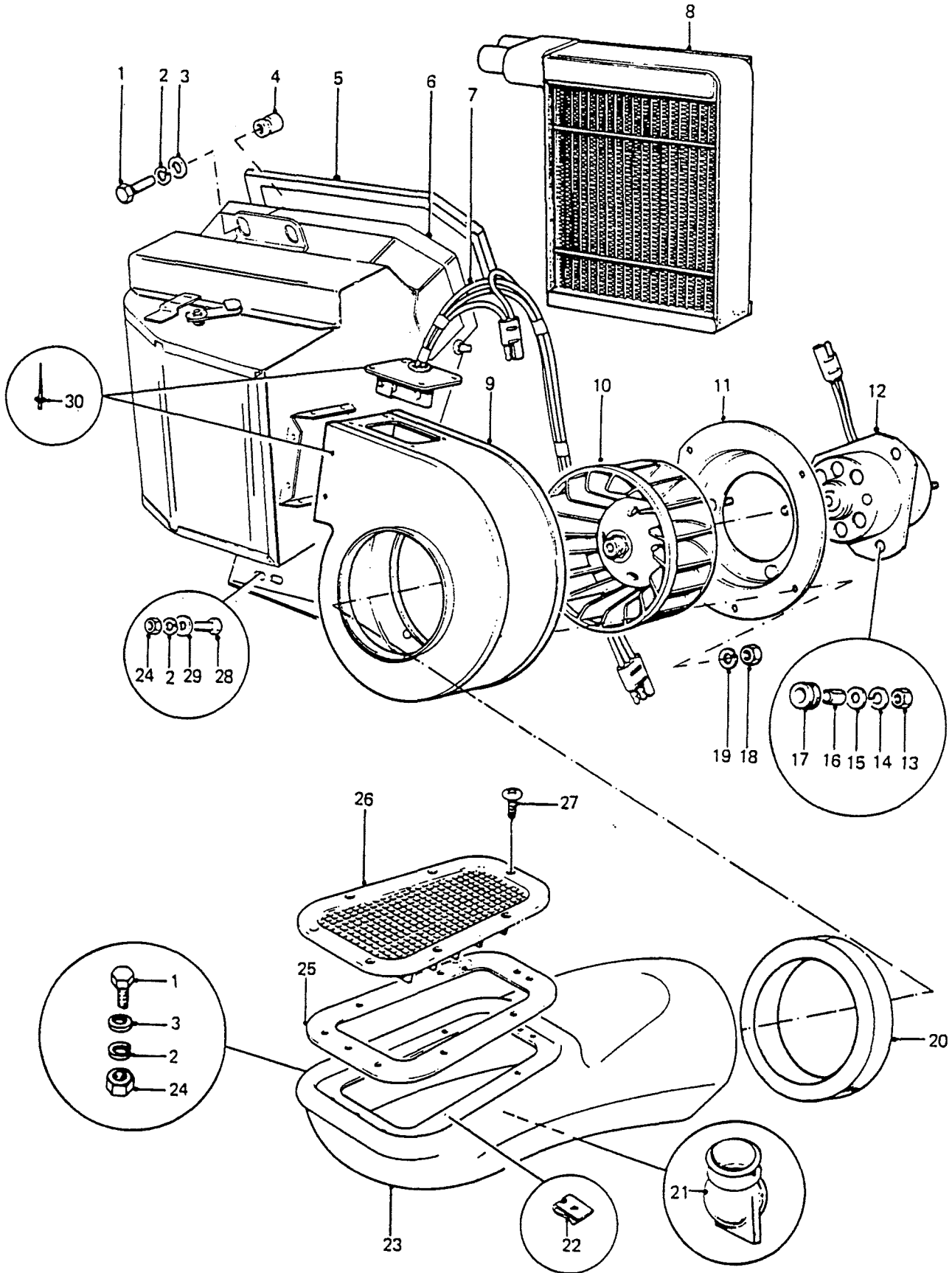


HEATER AND DUCTING - CAB - EXCEPT LRPV

PERENTIE LAND ROVER PARTS LIST

| ITEM | TA /1/1 PART NO. | HEATER AND DUCTING-CAB - EXCEPT LRPV DESCRIPTION | NSN | DERIVATIVE CODE | | | | | | | |
|------|---------------------|---|------------------|-----------------|------|------|------|------|------|------|---------|
| | | | | 2185 | 2186 | 2208 | 2209 | 2210 | 2211 | 2212 | 2219 CP |
| 1 | FS106201 | SCREW | 5305-99-122-5361 | 4 | 4 | 4 | 4 | 4 | | 4 | 4 |
| 2 | WL106001L | WASHER-LOCK | 5310-99-137-9232 | 6 | 6 | 6 | 6 | 6 | | 6 | 6 |
| 3 | WJ106001L | WASHER-PLAIN | 5310-66-128-4699 | 4 | 4 | 4 | 4 | 4 | | 4 | 4 |
| 4 | MM106301 | RIVNUT | 5310-66-128-5543 | 4 | 4 | 4 | 4 | 4 | | 4 | 4 |
| 5 | HYG3613 | GASKET-HEATER TO DASH | | 1 | 1 | 1 | 1 | 1 | | 1 | 1 |
| 6 | HYG2965 | HEATER ASSEMBLY | | 1 | 1 | 1 | 1 | 1 | | 1 | |
| | HYG6088 | HEATER ASSEMBLY | 2540-66-128-5769 | 1 | 1 | 1 | 1 | 1 | | 1 | 1 01 |
| 7 | UTP1281 | HARNES & RESISTOR | | 1 | 1 | 1 | 1 | 1 | | 1 | 1 |
| 8 | AAP817 | MATRIX-HEATER | 2540-99-721-4399 | 1 | 1 | 1 | 1 | 1 | | 1 | |
| | UPT1725 | MATRIX-HEATER | 2540-66-128-6238 | 1 | 1 | 1 | 1 | 1 | | 1 | 1 01 |
| 9 | AAP810 | VOLUTE ASSEMBLY | | 1 | 1 | 1 | 1 | 1 | | 1 | 1 |
| 10 | UTP1267 | MOTOR AND ROTOR (INCLUDES ITEMS 11-19) | 2540-99-737-8070 | 1 | 1 | 1 | 1 | 1 | | 1 | 1 |
| 11 | NSS | | | | | | | | | | |
| 12 | NSS | | | | | | | | | | |
| 13 | NH105041L | NUT | 5310-66-098-4400 | 3 | 3 | 3 | 3 | 3 | | 3 | 3 |
| 14 | WL105001L | WASHER-LOCK | 5310-99-977-1102 | 3 | 3 | 3 | 3 | 3 | | 3 | 3 |
| 15 | WA105001L | WASHER-PLAIN | 5310-99-122-3032 | 3 | 3 | 3 | 3 | 3 | | 3 | 3 |
| 16 | CZK6486 | SPACER | | 3 | 3 | 3 | 3 | 3 | | 3 | 3 |
| 17 | CZK6473L | GROMMET | | 3 | 3 | 3 | 3 | 3 | | 3 | 3 |
| 18 | NSS | | | | | | | | | | |
| 19 | NSS | | | | | | | | | | |
| 20 | MRC8378 | SEAL-DUCT TO BLOWER | 2540-99-721-4413 | 1 | 1 | 1 | 1 | 1 | | 1 | 1 |
| 21 | MUC2417 | DUMP VALVE | 2940-99-729-2980 | 1 | 1 | 1 | 1 | 1 | | 1 | 1 |
| 22 | AJ608041 | NUT-SPIRE | | 9 | 9 | 9 | 9 | 9 | | 9 | 9 |
| 23 | MUC2419 | DUCT-AIR INTAKE-LH | 2540-99-720-8155 | 1 | 1 | 1 | 1 | 1 | | 1 | 1 |
| 24 | NH106041L | NUT | 5310-66-098-4401 | 3 | 3 | 3 | 3 | 3 | | 3 | 3 |

GROUP TA



**HEATER AND DUCTING - CAB
- EXCEPT LRPV**

PERENTIE LAND ROVER PARTS LIST

| ITEM | PART NO. | DESCRIPTION | NSN | DERIVATIVE CODE | | | | | | | |
|--|-----------|---------------------------------|------------------|-----------------|------|------|------|------|------|------|------|
| | | | | 2185 | 2186 | 2208 | 2209 | 2210 | 2211 | 2212 | 2219 |
|) TA /1/1 HEATER AND DUCTING-CAB - EXCEPT LRPV | | | | | | | | | | | |
| 25 | MRC9998 | SEAL-DUCT TO WING-LH | 5330-99-721-4414 | 1 | 1 | 1 | 1 | 1 | 1 | 1 | |
| 26 | MRC9939 | FINISHER-AIR INTAKE-LH | 2540-99-720-8156 | 1 | 1 | 1 | 1 | 1 | 1 | 1 | |
| 27 | AB608065 | SCREW-DRIVE-FINISHER TO LH WING | 5305-66-128-4725 | 7 | 7 | 7 | 7 | 7 | 7 | 7 | |
| | AB608047 | SCREW-FINISHER TO LH WING | | 2 | 2 | 2 | 2 | 2 | 2 | 2 | |
| | MRC9938 | FINISHER-AIR INTAKE-RH | 2540-99-771-6981 | 1 | 1 | 1 | 1 | 1 | 1 | 1 | |
| | RTC3745 | LOKUT NUT-FINISHER TO RH WING | 5310-99-137-6356 | 7 | 7 | 7 | 7 | 7 | 7 | 7 | |
| | AB608055L | SCREW-FINISHER TO RH WING | 5305-66-128-4655 | 7 | 7 | 7 | 7 | 7 | 7 | 7 | |
| 28 | SE106161L | SCREW | 5305-99-135-0440 | 2 | 2 | 2 | 2 | 2 | 2 | 2 | |
| 29 | WA106041L | WASHER-PLAIN | 5310-66-098-4440 | 2 | 2 | 2 | 2 | 2 | 2 | 2 | |
| 30 | RA608183 | POP RIVET | 5320-66-128-6335 | 16 | 16 | 16 | 16 | 16 | 16 | 16 | |

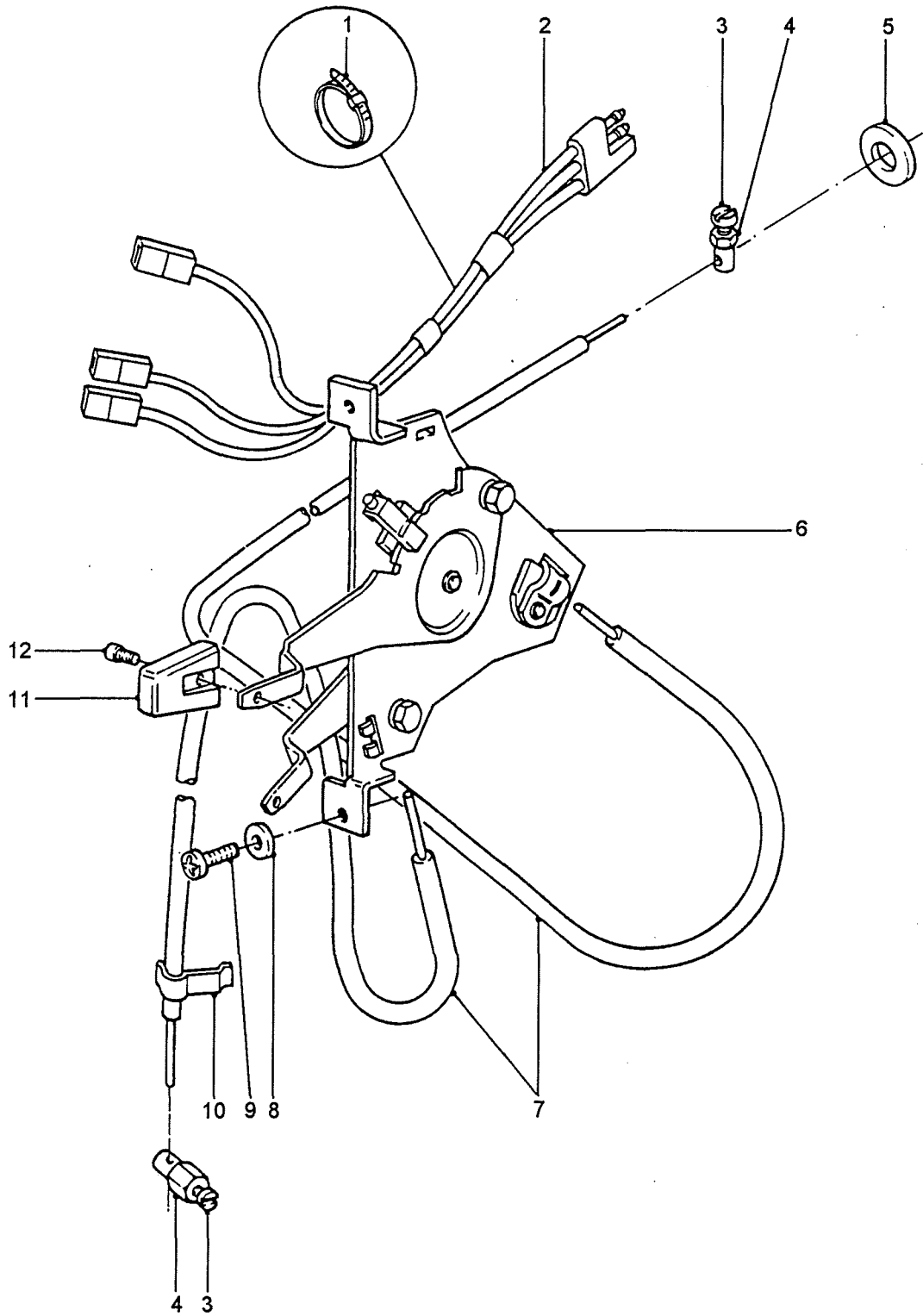
CHANGE POINT

1

ARN INTRODUCTION

51-938 GENERAL MAINTENANCE VEHICLE

GROUP TAB



**HEATER CONTROLS - CAB
- EXCEPT LRPV**

PERENTIE LAND ROVER PARTS LIST

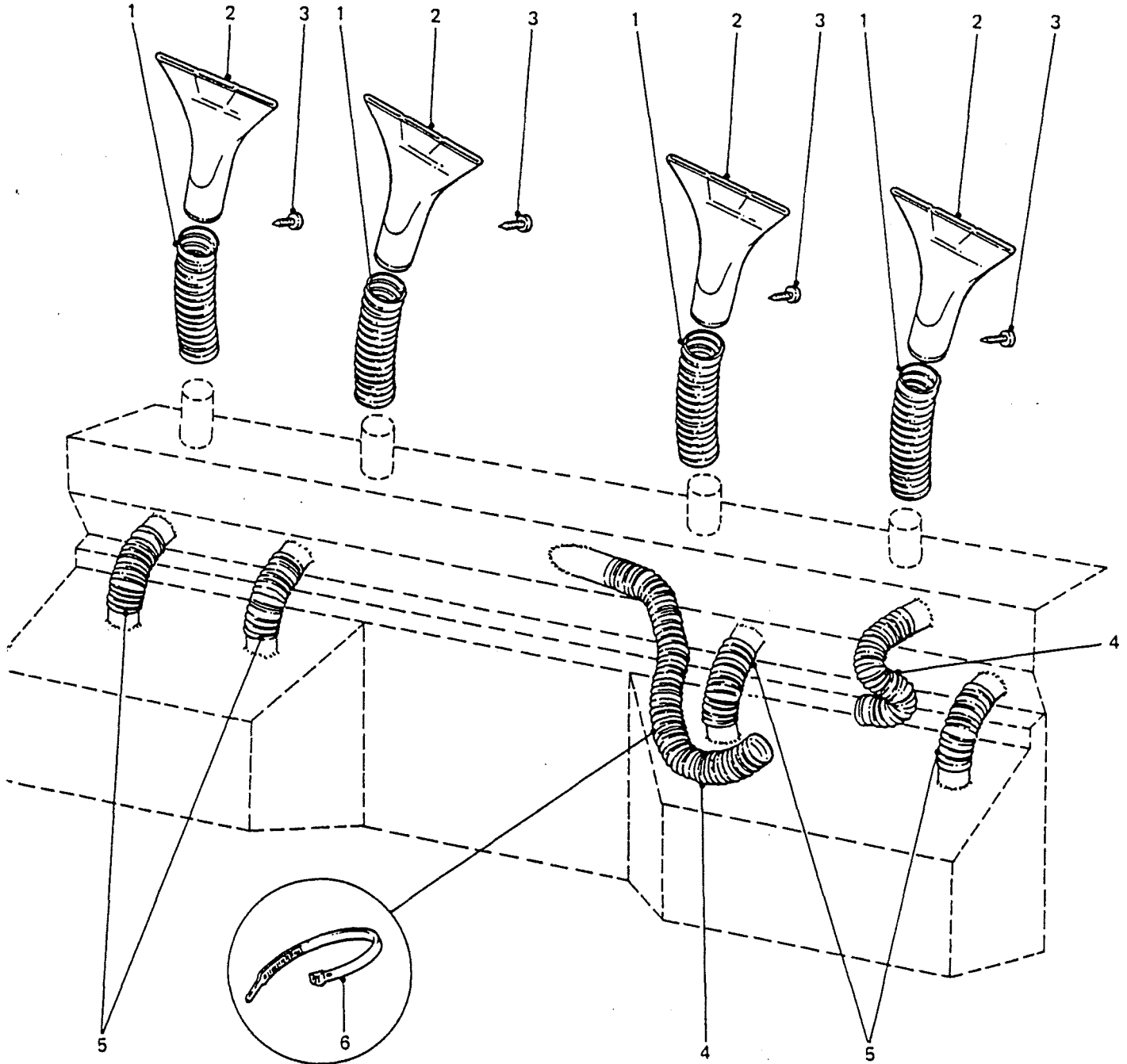
TAB /1/1 HEATER CONTROLS - CAB - EXCEPT LRPV

| ITEM | PART NO. | DESCRIPTION | NSN | DERIVATIVE CODE | | | | | | | CP |
|------|-----------|---|------------------|-----------------|------|------|------|------|------|------|----|
| | | | | 2185 | 2186 | 2208 | 2209 | 2210 | 2211 | 2212 | |
| 1 | MYH1763 | CABLE TIE-HEATER CABLES TO CLUTCH PIPE AND AIR CLEANER MTG BRKT. | 5975-12-199-8964 | 3 | 3 | 3 | 3 | 3 | | 3 | 3 |
| | R622324 | 'P' CLIP-HARNESS TO DASH | 5340-66-106-1527 | 1 | 1 | 1 | 1 | 1 | | 1 | 1 |
| 2 | AYG9895 | HARNESS-HEATER | 2590-66-128-5754 | 1 | 1 | 1 | 1 | 1 | | 1 | 1 |
| 3 | SH104101 | SCREW | 5305-99-138-4827 | 2 | 2 | 2 | 2 | 2 | | 2 | 2 |
| 4 | RTC5978 | PIN-LOCKING-KIT | 2540-99-721-4411 | 2 | 2 | 2 | 2 | 2 | | 2 | 2 |
| 5 | R269257 | GROMMET | 5325-99-828-1011 | 1 | 1 | 1 | 1 | 1 | | 1 | 1 |
| 6 | R346924 | PLATE-MOUNTING | | 1 | 1 | 1 | 1 | 1 | | 1 | 1 |
| 7 | MTC6194 | CABLE-CONTROL | 2540-99-721-4410 | 2 | 2 | 2 | 2 | 2 | | 2 | 2 |
| 8 | WA105001L | WASHER-PLAIN | 5310-99-122-3032 | 2 | 2 | 2 | 2 | 2 | | 2 | 2 |
| 9 | SE808244 | SCREW | 5305-99-121-6815 | 2 | 2 | 2 | 2 | 2 | | 2 | 2 |
| 10 | 13H7343L | CLIP-CABLE | 5340-99-838-7475 | 2 | 2 | 2 | 2 | 2 | | 2 | 2 |
| 11 | MTC2805 | KNOB-LEVER | 5355-99-721-4404 | 2 | 2 | 2 | 2 | 2 | | 2 | 2 |
| 12 | MTC7737 | SCREW-KNOB TO LEVERS | 5305-99-941-1937 | 2 | 2 | 2 | 2 | 2 | | 2 | 2 |

CHANGE POINT

ARN INTRODUCTION

GROUP TAC



**DEMISTER AND HEATER OUTLETS - CAB
- EXCEPT LRPV**

PERENTIE LAND ROVER PARTS LIST

TAC /1/1 DEMISTER AND HEATER OUTLETS - CAB - EXCEPT LRPV

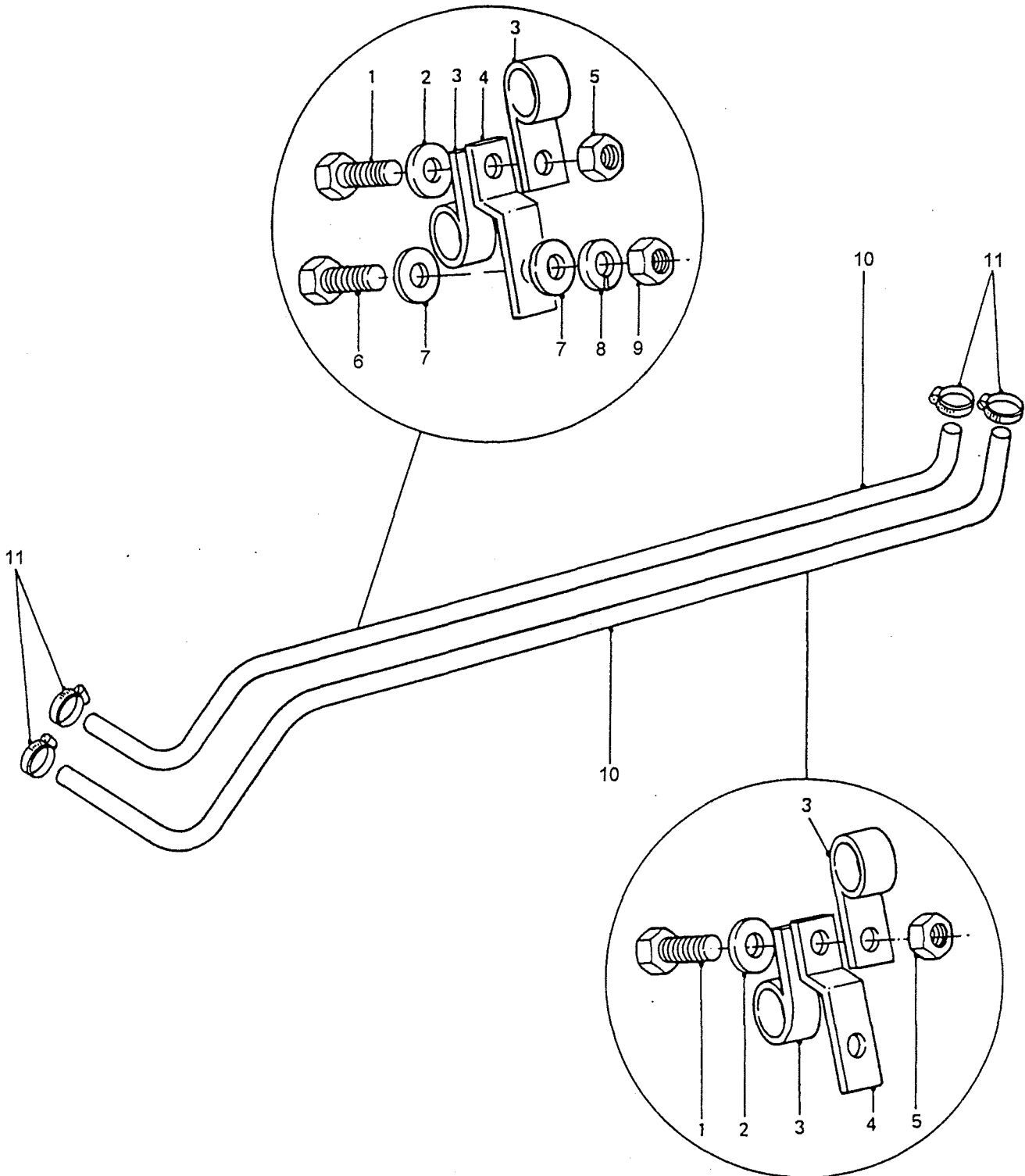
DERIVATIVE CODE

| ITEM | PART NO. | DESCRIPTION | NSN | DERIVATIVE CODE | | | | | | | |
|------|-----------|--|------------------|-----------------|------|------|------|------|------|------|------|
| | | | | 2185 | 2186 | 2208 | 2209 | 2210 | 2211 | 2212 | 2219 |
| 1 | AYG2936 | TUBE-FLEXIBLE-DEMISTER | | 4 | 4 | 4 | 4 | 4 | | 4 | 4 |
| 2 | CZH624 | NOZZLE-OUTLET -DEMISTER | | 4 | 4 | 4 | 4 | 4 | | 4 | 4 |
| 3 | AB606041L | SCREW-DEMISTER NOZZLE TO DASH | 5305-99-950-4416 | 8 | 8 | 8 | 8 | 8 | | 8 | 8 |
| 4 | AYG2935 | TUBE-HEATER TO DASH | | 4 | 4 | 4 | 4 | 4 | | 4 | 4 |
| 5 | MRC7279 | TUBE-DASH TO TOE BOX | | 4 | 4 | 4 | 4 | 4 | | 4 | 4 |
| 6 | MYH1763 | CABLE TIE-TUBING TO WIPER MOTOR | 5975-12-199-8964 | 1 | 1 | 1 | 1 | 1 | | 1 | 1 |
| | AB606041L | SCREW-DEMISTER NOZZLE TO TUBE | 5305-99-950-4416 | 4 | 4 | 4 | 4 | 4 | | 4 | 4 |
| | HYG3704 | PLUG-RESTRICTOR- DEMISTER INLET TUBE-PASSENGERS SIDE | | 1 | 1 | 1 | 1 | 1 | | 1 | 1 |

CHANGE POINT

ARN INTRODUCTION

GROUP TAD



**HEATER HOSES AND FITTINGS - CAB
- EXCEPT LRPV**

PERENTIE LAND ROVER PARTS LIST

TAD /1/1 HEATER HOSES AND FITTINGS - CAB - EXCEPT LRPV

| <u>ITEM</u> | <u>PART NO.</u> | <u>DESCRIPTION</u> | <u>NSN</u> | <u>DERIVATIVE CODE</u> | | | | | | | | |
|-------------|-----------------|--------------------|------------------|------------------------|-------------|-------------|-------------|-------------|-------------|-------------|-------------|-----------|
| | | | | <u>2185</u> | <u>2186</u> | <u>2208</u> | <u>2209</u> | <u>2210</u> | <u>2211</u> | <u>2212</u> | <u>2219</u> | <u>CP</u> |
| 1 | FS106201 | SCREW | 5305-99-122-5361 | 2 | 2 | 2 | 2 | 2 | | 2 | 2 | |
| 2 | WA106041L | WASHER-PLAIN | 5310-66-098-4440 | 2 | 2 | 2 | 2 | 2 | | 2 | 2 | |
| 3 | HYG5287 | 'P' CLIP | | 4 | 4 | 4 | 4 | 4 | | 4 | 4 | |
| 4 | AYG389 | BRACKET | | 2 | 2 | 2 | 2 | 2 | | 2 | 2 | |
| 5 | NY106041L | NUT-NYLOC | 5310-99-138-8423 | 2 | 2 | 2 | 2 | 2 | | 2 | 2 | |
| 6 | SH108401L | SCREW | 5306-66-097-0722 | 1 | 1 | 1 | 1 | 1 | | 1 | 1 | |
| 7 | WA108051L | WASHER-PLAIN | 5310-99-122-6475 | 2 | 2 | 2 | 2 | 2 | | 2 | 2 | |
| 8 | WL108001L | WASHER-LOCK | 5310-99-138-9227 | 1 | 1 | 1 | 1 | 1 | | 1 | 1 | |
| 9 | FN108041 | NUT | 5310-99-499-8033 | 1 | 1 | 1 | 1 | 1 | | 1 | 1 | |
| 10 | MYH5341/1300 | HOSE-HEATER | 4720-66-128-5755 | 2 | 2 | 2 | 2 | 2 | | 2 | | |
| | AYG547 | HOSE-HEATER | | 2 | 2 | 2 | 2 | 2 | | 2 | 2 | 01 |
| 11 | CN100308L | CLAMP-HOSE | 4730-99-798-0799 | 4 | 4 | 4 | 4 | 4 | | 4 | 4 | |

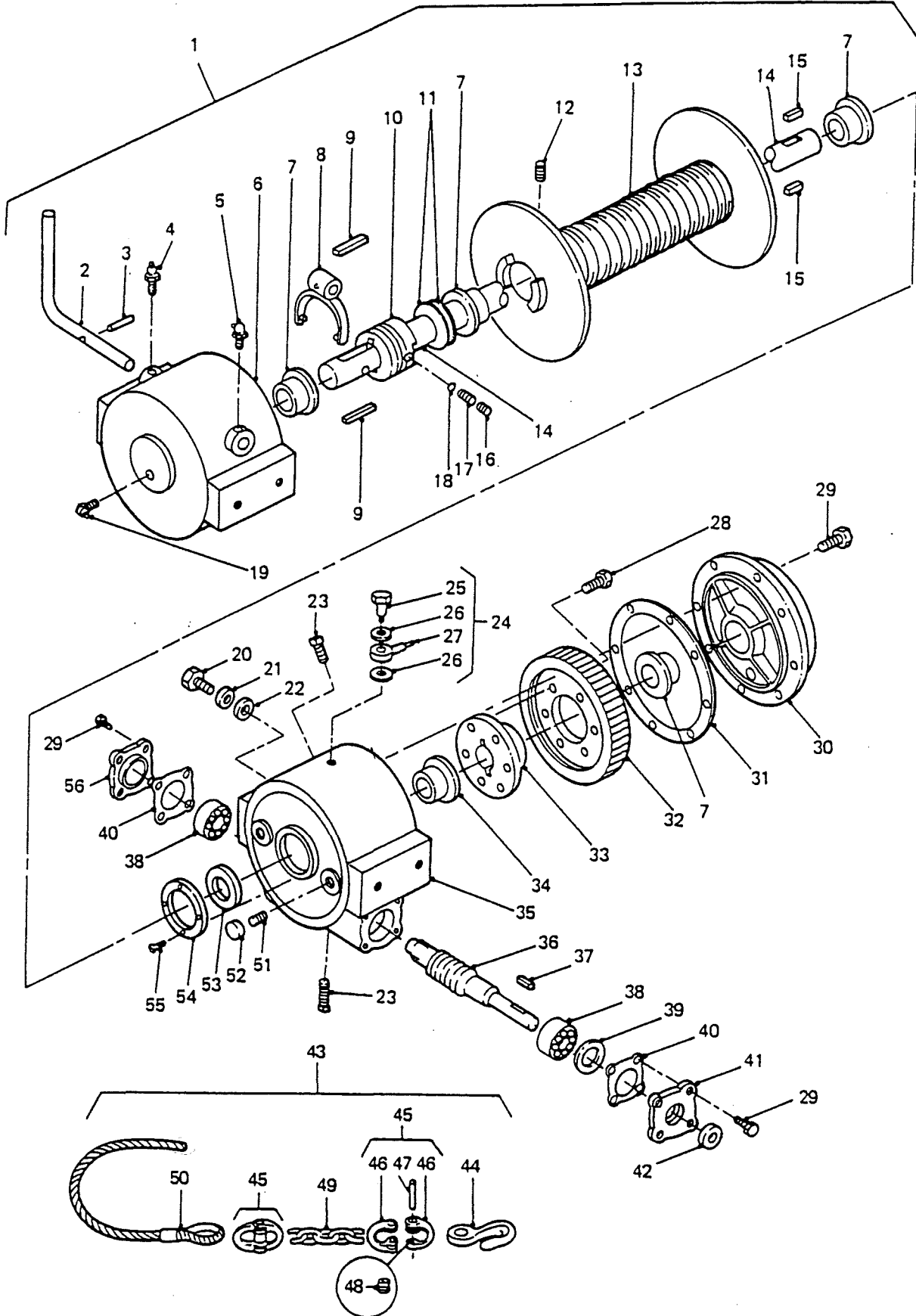
CHANGE POINT

ARN INTRODUCTION

1

51-938 GENERAL MAINTENANCE VEHICLE

GROUP UA

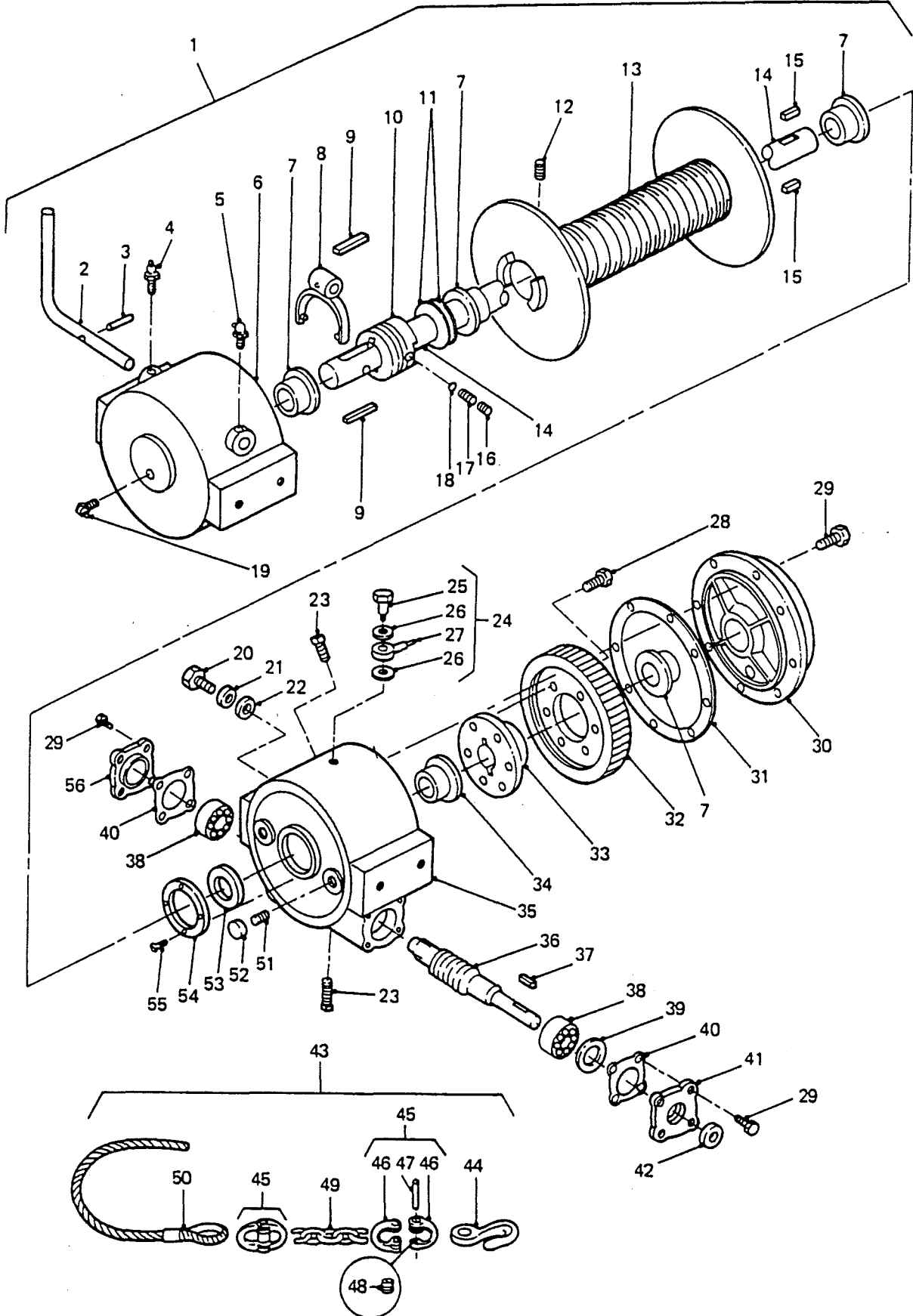


WINCH ASSEMBLY

PERENTIE LAND ROVER PARTS LIST

| ITEM | PART NO. | DESCRIPTION | NSN | DERIVATIVE CODE | | | | | | |
|------|-----------|--------------------|------------------|-----------------|------|------|------|------|------|------|
| | | | | 2185 | 2186 | 2208 | 2209 | 2210 | 2211 | 2212 |
| 1 | AYG8185 | WINCH ASSY | 2590-66-128-5828 | 1 | 1 | 1 | | 1 | 1 | 1 |
| 2 | HYL8725 | HANDLE-WINCH | | 1 | 1 | 1 | | 1 | 1 | 1 |
| 3 | HYL8726 | PIN | 5315-66-128-5101 | 1 | 1 | 1 | | 1 | 1 | 1 |
| 4 | HYL8788 | NIPPLE-GREASE | 4730-66-128-5069 | 1 | 1 | 1 | | 1 | 1 | 1 |
| 5 | HYL8885 | NIPPLE-GREASE | 4730-66-128-5829 | 1 | 1 | 1 | | 1 | 1 | 1 |
| 6 | HYL8883 | HOUSING-CLUTCH | | 1 | 1 | 1 | | 1 | 1 | 1 |
| 7 | HYL8869 | BUSH | | 4 | 4 | 4 | | 4 | 4 | 4 |
| 8 | HYL8731 | FORK-CLUTCH | | 1 | 1 | 1 | | 1 | 1 | 1 |
| 9 | HYL8879 | KEY | | 2 | 2 | 2 | | 2 | 2 | 2 |
| 10 | HYL8875 | CLUTCH SLIDER | | 1 | 1 | 1 | | 1 | 1 | 1 |
| 11 | HYL8877 | SPACER-DRUM | | 2 | 2 | 2 | | 2 | 2 | 2 |
| 12 | HYL8880 | GRUB SCREW | | 1 | 1 | 1 | | 1 | 1 | 1 |
| 13 | HYL8882 | DRUM-GROOVED | | 1 | 1 | 1 | | 1 | 1 | 1 |
| 14 | HYL8876 | SHAFT | | 1 | 1 | 1 | | 1 | 1 | 1 |
| 15 | HYL8878 | KEY | | 2 | 2 | 2 | | 2 | 2 | 2 |
| 16 | HYL8739 | SCREW | | 1 | 1 | 1 | | 1 | 1 | 1 |
| 17 | HYL8740 | SPRING-DETENT | | 1 | 1 | 1 | | 1 | 1 | 1 |
| 18 | HYL8741 | BALL-DETENT | | 1 | 1 | 1 | | 1 | 1 | 1 |
| 19 | HYL8742 | NIPPLE-GREASE | 4730-66-128-5068 | 1 | 1 | 1 | | 1 | 1 | 1 |
| 20 | HYL8770 | SCREW | 5305-66-128-5113 | 4 | 4 | 4 | | 4 | 4 | 4 |
| 21 | HYL8781 | WASHER-LOCK | 5310-66-128-5109 | 4 | 4 | 4 | | 4 | 4 | 4 |
| 22 | WA112081L | WASHER-PLAIN | 5310-99-122-6477 | 4 | 4 | 4 | | 4 | 4 | 4 |
| 23 | HYL8745 | PLUG-OIL RESERVOIR | | 2 | 2 | 2 | | 2 | 2 | 2 |
| 24 | FRC9430 | PIPE-BREATHER | 2520-66-128-5303 | 1 | 1 | 1 | | 1 | 1 | 1 |
| 25 | R595478 | BOLT-BANJO | 4730-99-137-6379 | 1 | 1 | 1 | | 1 | 1 | 1 |
| 26 | R599575 | WASHER | 4930-99-842-3988 | 2 | 2 | 2 | | 2 | 2 | 2 |
| 27 | NSS | | | | | | | | | |
| 28 | HYL8864 | SCREW | | 6 | 6 | 6 | | 6 | 6 | 6 |
| 29 | HYL8756 | SCREW | | 16 | 16 | 16 | | 16 | 16 | 16 |

GROUP UA



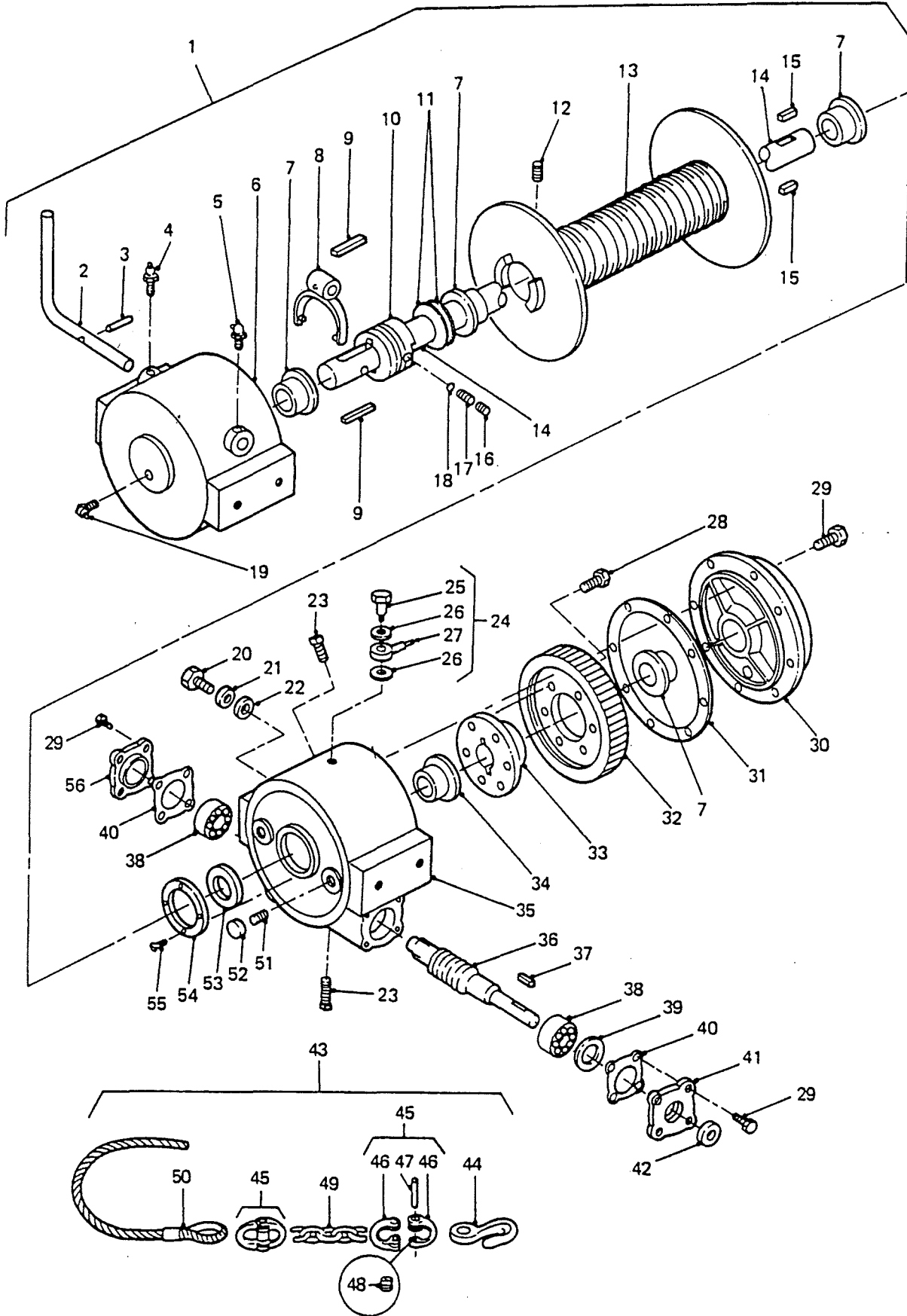
WINCH ASSEMBLY

PERENTIE LAND ROVER PARTS LIST

UA /1/1 WINCH ASSEMBLY

| ITEM | PART NO. | DESCRIPTION | NSN | DERIVATIVE CODE | | | | | | | CP | |
|------|----------|--|------------------|-----------------|------|------|------|------|------|------|----|------|
| | | | | 2185 | 2186 | 2208 | 2209 | 2210 | 2211 | 2212 | | 2219 |
| 30 | HYL8890 | COVER-END -WINCH HOUSING | | | 1 | 1 | 1 | | 1 | 1 | 1 | |
| 31 | HYL8870 | GASKET | 5330-66-128-5830 | | 1 | 1 | 1 | | 1 | 1 | 1 | |
| 32 | HYL8891 | GEAR-WHEEL -WINCH DRIVE | | | 1 | 1 | 1 | | 1 | 1 | 1 | |
| 33 | HYL8866 | HUB | | | 1 | 1 | 1 | | 1 | 1 | 1 | |
| 34 | HYL8887 | BUSH | | | 1 | 1 | 1 | | 1 | 1 | 1 | |
| 35 | HYL8884 | HOUSING-DRIVE GEAR | | | 1 | 1 | 1 | | 1 | 1 | 1 | |
| 36 | HYL8872 | GEAR-WORM | | | 1 | 1 | 1 | | 1 | 1 | 1 | |
| 37 | HYL8865 | KEY <i>HYL8862</i> | | | 1 | 1 | 1 | | 1 | 1 | 1 | |
| 38 | HYL8874 | BEARING-BALL | | | 2 | 2 | 2 | | 2 | 2 | 2 | |
| 39 | HYL9013 | SHIM - 0.08MM | | | 1 | 1 | 1 | | 1 | 1 | 1 | |
| | HYL9014 | SHIM - 0.13MM | | | 1 | 1 | 1 | | 1 | 1 | 1 | |
| 40 | HYL8871 | GASKET | 5330-66-128-5831 | | 2 | 2 | 2 | | 2 | 2 | 2 | |
| 41 | HYL8868 | COVER | | | 1 | 1 | 1 | | 1 | 1 | 1 | |
| 42 | HYL8873 | SEAL | 5330-66-128-5832 | | 1 | 1 | 1 | | 1 | 1 | 1 | |
| 43 | AYG8208 | WIRE ROPE ASSY-11MM X 45MM SINGLE LEG (INCL ITEMS 44-50) | | | 1 | 1 | 1 | | 1 | 1 | 1 | |
| 44 | NSS | | | | | | | | | | | |
| 45 | NSS | | | | | | | | | | | |
| 46 | NSS | | | | | | | | | | | |
| 47 | NSS | | | | | | | | | | | |
| 48 | NSS | | | | | | | | | | | |
| 49 | NSS | | | | | | | | | | | |
| 50 | NSS | | | | | | | | | | | |
| 51 | HYL8758 | SPRING | 5360-66-128-5204 | | 2 | 2 | 2 | | 2 | 2 | 2 | |
| 52 | HYL8759 | PAD-BRAKE | 2530-66-128-5121 | | 2 | 2 | 2 | | 2 | 2 | 2 | |
| 53 | HYL8888 | SEAL-OIL | 5330-66-128-5834 | | 1 | 1 | 1 | | 1 | 1 | 1 | |
| 54 | HYL8889 | WASHER-THRUST | | | 1 | 1 | 1 | | 1 | 1 | 1 | |

GROUP UA



WINCH ASSEMBLY

PERENTIE LAND ROVER PARTS LIST

UA /1/1

WINCH ASSEMBLY

DERIVATIVE CODE

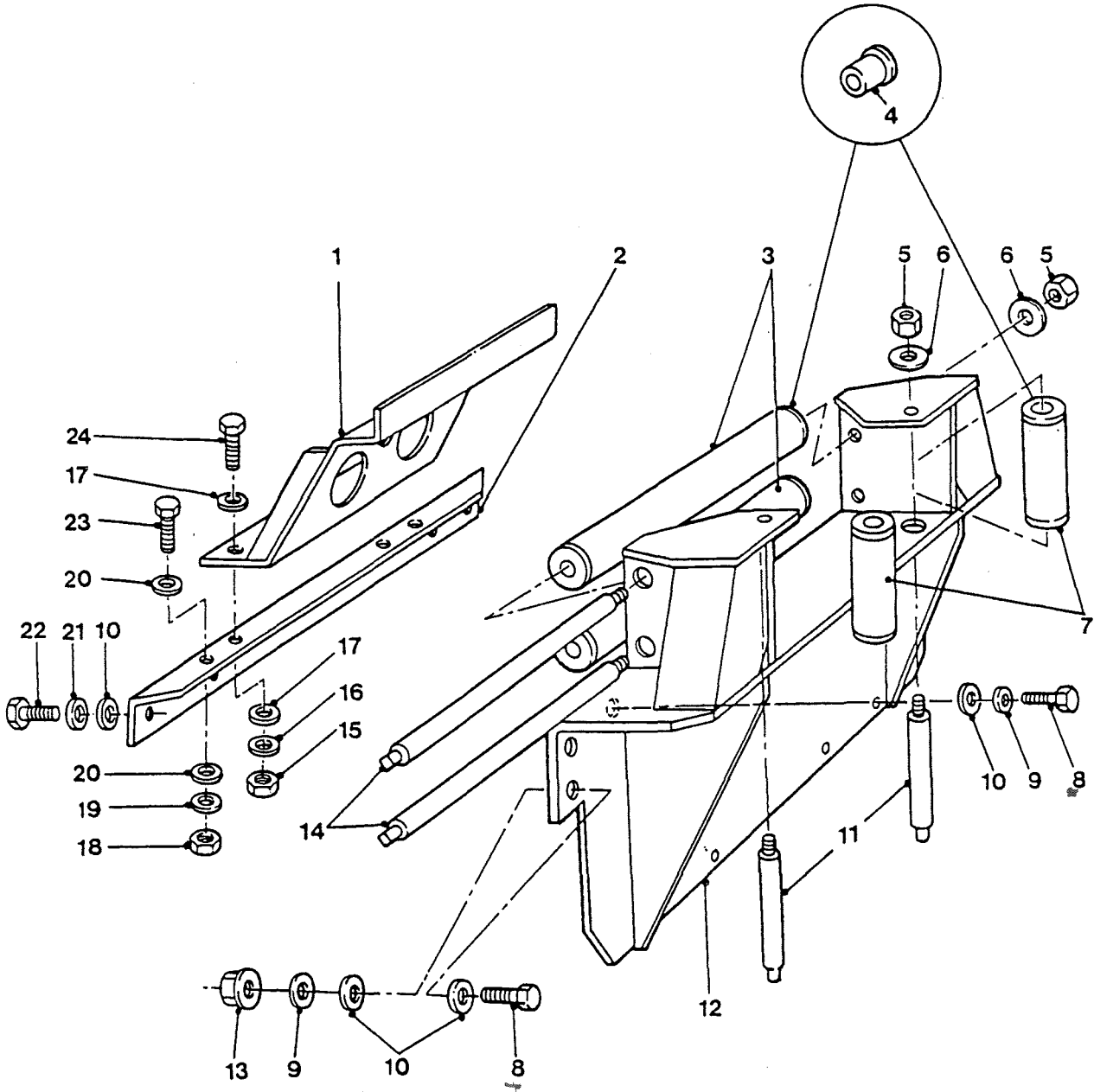
| <u>ITEM</u> | <u>PART NO.</u> | <u>DESCRIPTION</u> | <u>NSN</u> | <u>DERIVATIVE CODE</u> | | | | | | | | |
|-------------|-----------------|---|------------|------------------------|-------------|-------------|-------------|-------------|-------------|-------------|-------------|-----------|
| | | | | <u>2185</u> | <u>2186</u> | <u>2208</u> | <u>2209</u> | <u>2210</u> | <u>2211</u> | <u>2212</u> | <u>2219</u> | <u>CP</u> |
| 55 | HYL8886 | SCREW | | | 2 | 2 | 2 | | 2 | 2 | 2 | |
| 56 | HYL8867 | COVER-END-WORM DRIVE | | 1 | 1 | 1 | | 1 | 1 | 1 | | |
| | AEU1448 | CLIP-BREATHER PIPE | | 1 | 1 | 1 | | 1 | 1 | 1 | | |
| | AB608047 | SCREW-CLIP TO SUSPENSION TOWER COVER | | 1 | 1 | 1 | | 1 | 1 | 1 | | |
| | AYG8206 | CHAIN | | 1 | 1 | 1 | | 1 | 1 | 1 | 01 | |
| | | ASSEMBLY-WINCH-SINGLE LEG-3M LONG | | | | | | | | | | |

CHANGE POINT

ARN INTRODUCTION

50-851 CARGO, 50-860 CARGO, 50-887 TO 50-890 CARGO AND WINCH, 50-893 TO 50-900 CARGO, 51-571 TO 50-574 CARGO, 51-982 CARGO, 51-954 TO 51-972 CARGO AND WINCH.

GROUP UAA



WINCH MOUNTINGS AND ROLLERS

PERENTIE LAND ROVER PARTS LIST

UAA /1/1 WINCH MOUNTINGS AND ROLLERS

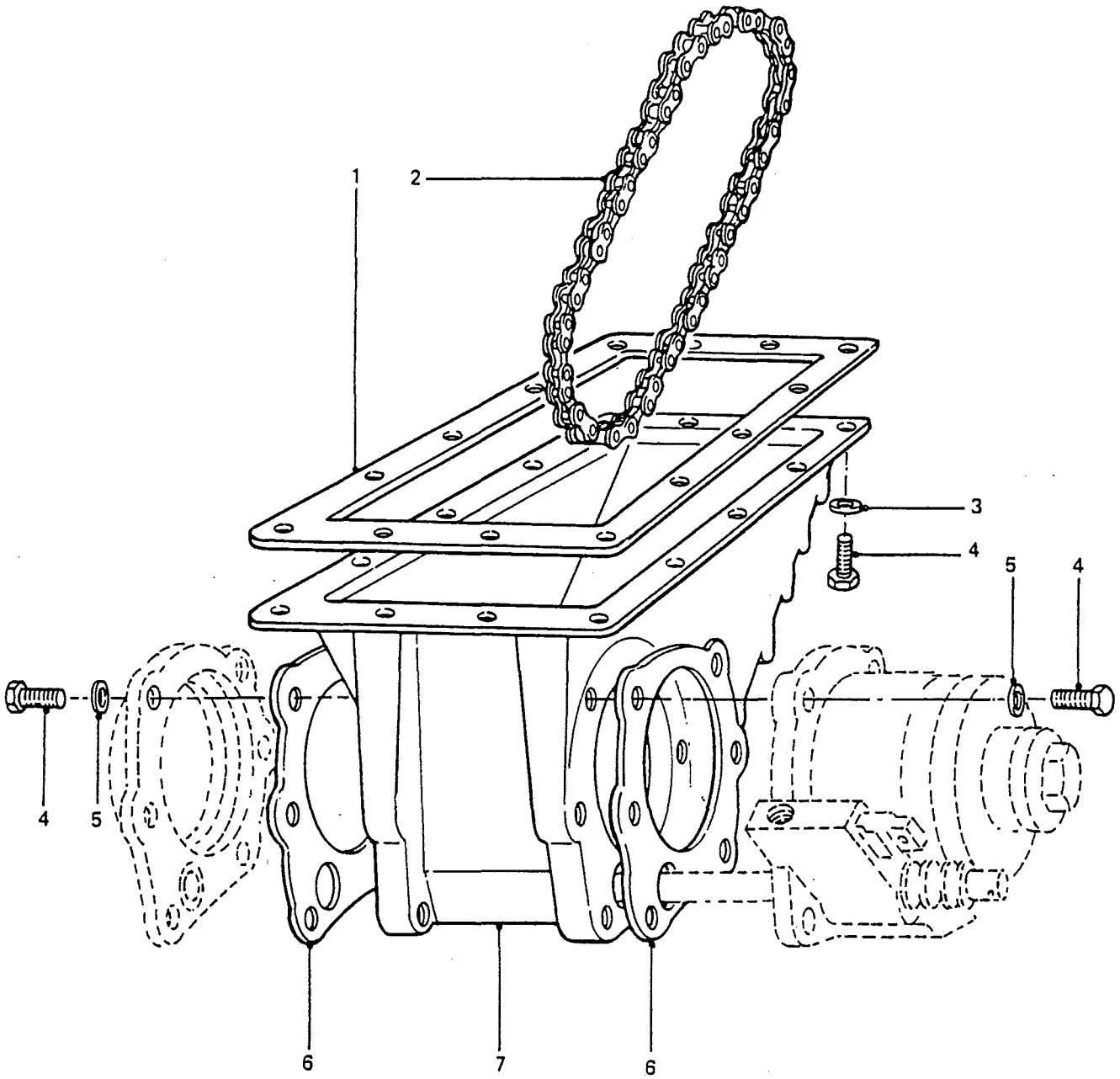
DERIVATIVE CODE

| ITEM | PART NO. | DESCRIPTION | NSN | DERIVATIVE CODE | | | | | | | | |
|------|-----------|-------------------------------------|------------------|-----------------|------|------|------|------|------|------|------|----|
| | | | | 2185 | 2186 | 2208 | 2209 | 2210 | 2211 | 2212 | 2219 | CP |
| 1 | HYG1795 | GUARD-GRILLE | | | 1 | 1 | 1 | | 1 | 1 | 1 | |
| 2 | HYG2170 | MOUNTING-WINCH | | | 1 | 1 | 1 | | 1 | 1 | 1 | |
| 3 | HYG3138 | ROLLER-WINCH | 2590-66-128-5064 | | 2 | 2 | 2 | | 2 | 2 | 2 | |
| 4 | MYH3327 | BEARING-BUSH | 3120-66-128-5065 | | 8 | 8 | 8 | | 8 | 8 | 8 | |
| 5 | NY116041L | NUT-NYLOC | 5310-99-122-5503 | | 4 | 4 | 4 | | 4 | 4 | 4 | |
| 6 | WA116101L | WASHER-PLAIN | 5310-99-122-6479 | | 4 | 4 | 4 | | 4 | 4 | 4 | |
| 7 | HYG3139 | ROLLER-WINCH | 2590-66-128-5066 | | 2 | 2 | 2 | | 2 | 2 | 2 | |
| 8 | SH112451 | SCREW | 5305-66-128-6192 | | 8 | 8 | 8 | | 8 | 8 | 8 | |
| 9 | WL112001L | WASHER-LOCK | 5310-66-128-5111 | | 8 | 8 | 8 | | 8 | 8 | 8 | |
| 10 | WA112081L | WASHER-PLAIN | 5310-99-122-6477 | | 12 | 12 | 12 | | 12 | 12 | 12 | |
| 11 | HYG2113 | SHAFT-ROLLER -VERTICAL | 2590-66-128-5118 | | 2 | 2 | 2 | | 2 | 2 | 2 | |
| 12 | HYG2209 | MOUNTING-WINCH | | | 1 | 1 | 1 | | | | 1 | 1 |
| | HYG3862 | MOUNTING-WINCH | | | | | | | 1 | | | |
| 13 | NH112041L | NUT | 5310-66-128-5086 | | 4 | 4 | 4 | | 4 | 4 | 4 | |
| 14 | HYG2112 | SHAFT-ROLLER -HORIZONTAL | 2590-66-128-5067 | | 2 | 2 | 2 | | 2 | 2 | 2 | |
| 15 | FN108041 | NUT | 5310-99-499-8033 | | 2 | 2 | 2 | | 2 | 2 | 2 | |
| 16 | WL108001L | WASHER-LOCK | 5310-99-138-9227 | | 2 | 2 | 2 | | 2 | 2 | 2 | |
| 17 | WA108051L | WASHER-PLAIN | 5310-99-122-6475 | | 4 | 4 | 4 | | 4 | 4 | 4 | |
| 18 | FN110041 | NUT | 5310-66-098-4403 | | 2 | 2 | 2 | | 2 | 2 | 2 | |
| 19 | WL110001L | WASHER-LOCK | 5310-99-138-9228 | | 2 | 2 | 2 | | 2 | 2 | 2 | |
| 20 | WA110061L | WASHER-PLAIN | 5310-99-122-6476 | | 4 | 4 | 4 | | 4 | 4 | 4 | |
| 21 | HYL8781 | WASHER-LOCK | 5310-66-128-5109 | | 4 | 4 | 4 | | 4 | 4 | 4 | |
| 22 | HYL8770 | SCREW | 5305-66-128-5113 | | 4 | 4 | 4 | | 4 | 4 | 4 | |
| 23 | FS110301 | SCREW | 5305-66-098-4283 | | 2 | 2 | 2 | | 2 | 2 | 2 | |
| 24 | FS108251 | SCREW | 5305-99-122-5367 | | 2 | 2 | 2 | | 2 | 2 | 2 | |
| | MYH3572 | SPACER-WINCH MTG. ANGLE TO WINCH | 5365-66-128-6022 | | 2 | 2 | 2 | | 2 | 2 | 2 | |

CHANGE POINT

ARN INTRODUCTION

GROUP UC



POWER TAKE - OFF HOUSING AND CHAIN

PERENTIE LAND ROVER PARTS LIST

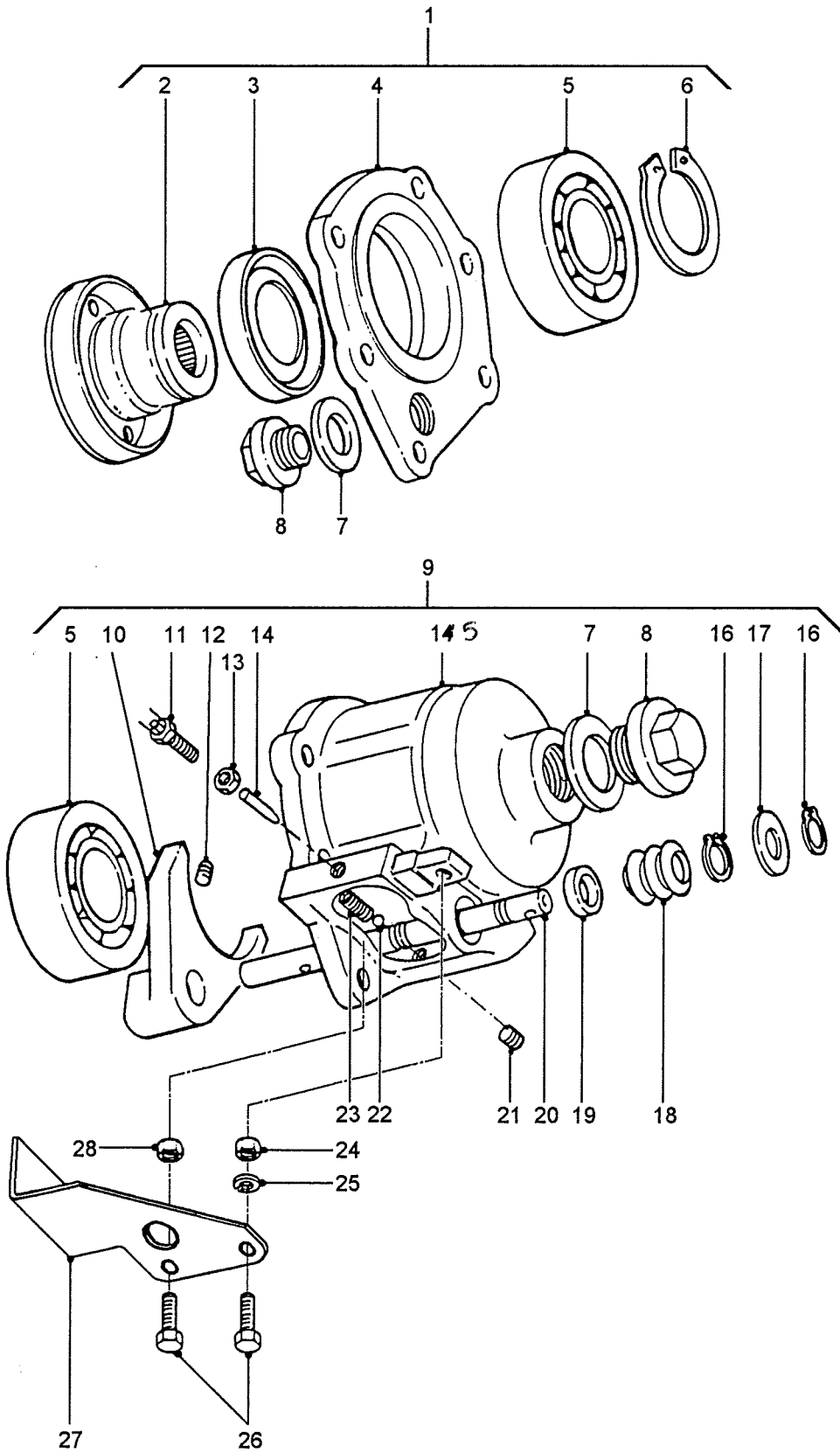
UC /1/1 POWER TAKE - OFF HOUSING AND CHAIN

| <u>ITEM</u> | <u>PART NO.</u> | <u>DESCRIPTION</u> | <u>NSN</u> | <u>DERIVATIVE CODE</u> | | | | | | | |
|-------------|-----------------|--------------------|------------------|------------------------|-------------|-------------|-------------|-------------|-------------|-------------|-------------|
| | | | | <u>2185</u> | <u>2186</u> | <u>2208</u> | <u>2209</u> | <u>2210</u> | <u>2211</u> | <u>2212</u> | <u>2219</u> |
| 1 | FRC7104 | GASKET | 5330-99-822-1724 | 1 | 1 | 1 | | 1 | 1 | 1 | |
| 2 | AYG3351 | CHAIN-PTO | 3020-66-073-6566 | 1 | 1 | 1 | | 1 | 1 | 1 | |
| 3 | WM108001L | WASHER-LOCK | 5310-99-135-9302 | 14 | 14 | 14 | | 14 | 14 | 14 | |
| 4 | FB108251 | SCREW | 5305-99-122-5367 | 26 | 26 | 26 | | 26 | 26 | 26 | |
| 5 | WL108001L | WASHER-LOCK | 5310-99-138-9227 | 12 | 12 | 12 | | 12 | 12 | 12 | |
| 6 | AYG3353 | GASKET-PTO | 5330-66-128-5210 | 2 | 2 | 2 | | 2 | 2 | 2 | |
| 7 | AYG3540 | HOUSING-PTO | | 1 | 1 | 1 | | 1 | 1 | 1 | |

CHANGE POINT

ARN INTRODUCTION

GROUP UCA



POWER TAKE - OFF BEARING & SELECTOR HOUSING ASSEMBLIES

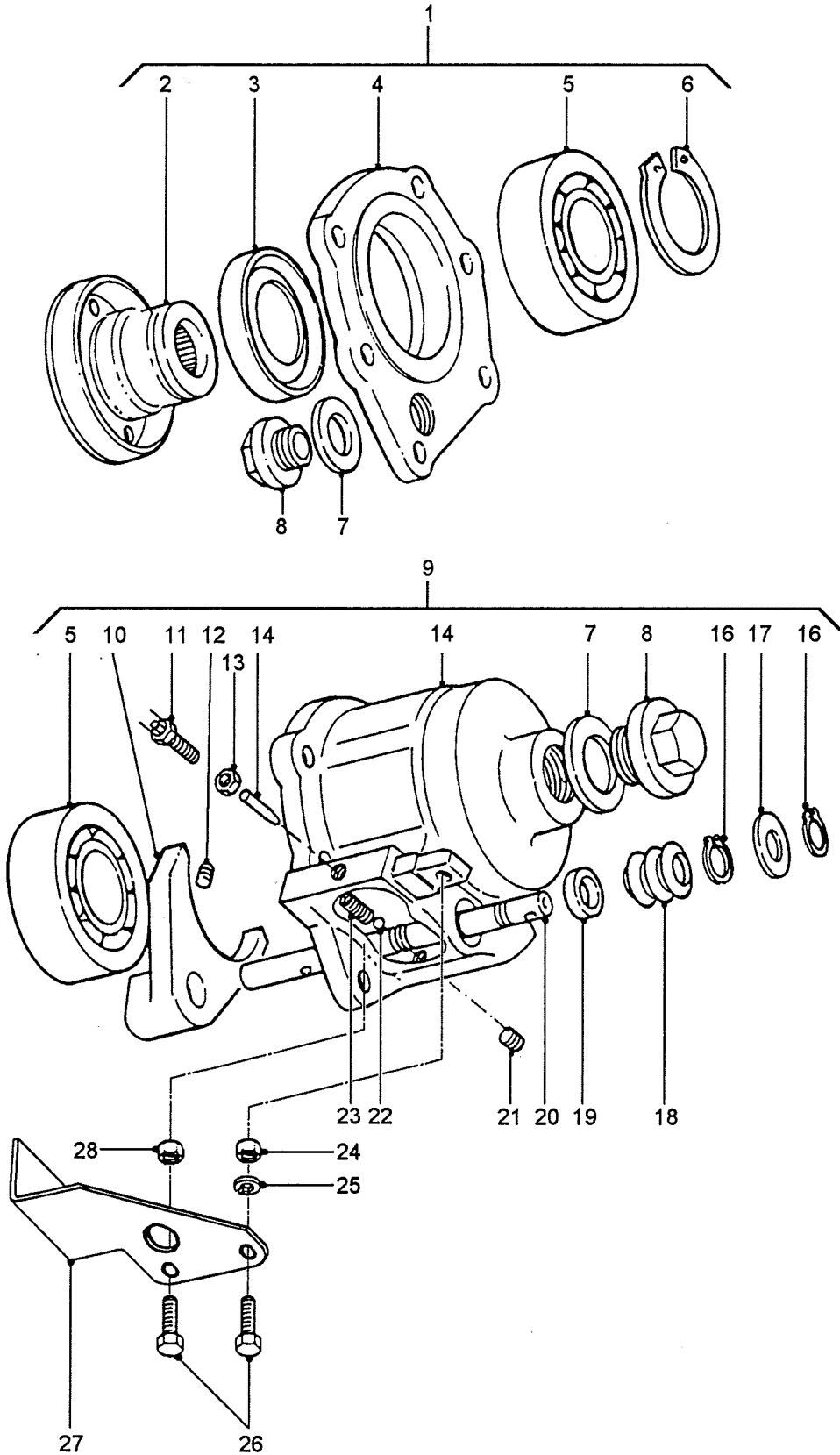
PERENTIE LAND ROVER PARTS LIST

UCA /1/1 POWER TAKE - OFF BEARING & SELECTOR HOUSING ASSEMBLIES

DERIVATIVE CODE

| ITEM | PART NO. | DESCRIPTION | NSN | DERIVATIVE CODE | | | | | | | CP | |
|------|-----------|--------------------------------------|------------------|-----------------|------|------|------|------|------|------|----|------|
| | | | | 2185 | 2186 | 2208 | 2209 | 2210 | 2211 | 2212 | | 2219 |
| 1 | AYG3376 | HOUSING-BEARING AND OUTPUT FLANGE | | | 1 | 1 | 1 | | 1 | 1 | 1 | |
| 2 | AYG3344 | FLANGE OUTPUT | 3010-66-128-5232 | | 1 | 1 | 1 | | 1 | 1 | 1 | |
| 3 | MYH3106 | SEAL | 5330-66-128-5075 | | 1 | 1 | 1 | | 1 | 1 | 1 | |
| 4 | AYG3343 | HOUSING-BEARING | | | 1 | 1 | 1 | | 1 | 1 | 1 | |
| 5 | MYH3102 | BEARING-BALL | 3110-00-554-5302 | | 2 | 2 | 2 | | 2 | 2 | 2 | |
| 6 | CR120405 | CIRCLIP-BEARING | 5365-66-128-5076 | | 1 | 1 | 1 | | 1 | 1 | 1 | |
| 7 | FRC4810 | JOINT | 5330-99-137-3055 | | 2 | 2 | 2 | | 2 | 2 | 2 | |
| 8 | 90571104 | PLUG-DRAIN | 5365-99-823-7205 | | 2 | 2 | 2 | | 2 | 2 | 2 | |
| 9 | AYG3531 | CAP ASSY -TORQUE LIMITER | | | 1 | 1 | 1 | | 1 | 1 | 1 | |
| 10 | AYG3348 | FORK | | | 1 | 1 | 1 | | 1 | 1 | 1 | |
| 11 | R575166 | SWITCH-WARNING LAMP-P.T.O. | 5930-99-822-6376 | | 1 | 1 | 1 | | 1 | 1 | 1 | |
| 12 | SK108120 | SCREW | | | 1 | 1 | 1 | | 1 | 1 | 1 | |
| 13 | NT606100 | NUT-BRASS | 5310-66-128-5835 | | 1 | 1 | 1 | | 1 | 1 | 1 | |
| 14 | AYG3542 | PIN-ACTUATOR | 5315-66-128-5836 | | 1 | 1 | 1 | | 1 | 1 | 1 | |
| 15 | AYG3541 | HOUSING -TORQUE LIMITER | | | 1 | 1 | 1 | | 1 | 1 | 1 | |
| 16 | CR120145 | CIRCLIP | 5365-66-128-5077 | | 2 | 2 | 2 | | 2 | 2 | 2 | |
| 17 | MYH3398 | WASHER-PLAIN | | | 1 | 1 | 1 | | 1 | 1 | 1 | |
| 18 | DAM3022 | SEAL-DUST | 5340-66-128-5081 | | 1 | 1 | 1 | | 1 | 1 | 1 | |
| 19 | AHU1672 | SEAL | 5330-99-824-0238 | | 1 | 1 | 1 | | 1 | 1 | 1 | |
| 20 | AYG3481 | SHAFT-SELECTOR | | | 1 | 1 | 1 | | 1 | 1 | 1 | |
| 21 | MYH3110 | PLUG | 5365-66-128-5082 | | 1 | 1 | 1 | | 1 | 1 | 1 | |
| 22 | R571146 | BALL | 3110-99-718-1217 | | 1 | 1 | 1 | | 1 | 1 | 1 | |
| 23 | R593802 | SPRING | 5360-99-823-8019 | | 1 | 1 | 1 | | 1 | 1 | 1 | |
| 24 | NH106041L | NUT | 5310-66-098-4401 | | | | | | 1 | | | |
| 25 | WL106001L | WASHER-LOCK | 5310-99-137-9232 | | | | | | 1 | | | |
| 26 | SH106301L | SCREW | 5305-99-122-5363 | | | | | | 2 | | | |

GROUP UCA



POWER TAKE - OFF BEARING & SELECTOR HOUSING ASSEMBLIES

PERENTIE LAND ROVER PARTS LIST

UCA /1/1 POWER TAKE - OFF BEARING & SELECTOR HOUSING ASSEMBLIES

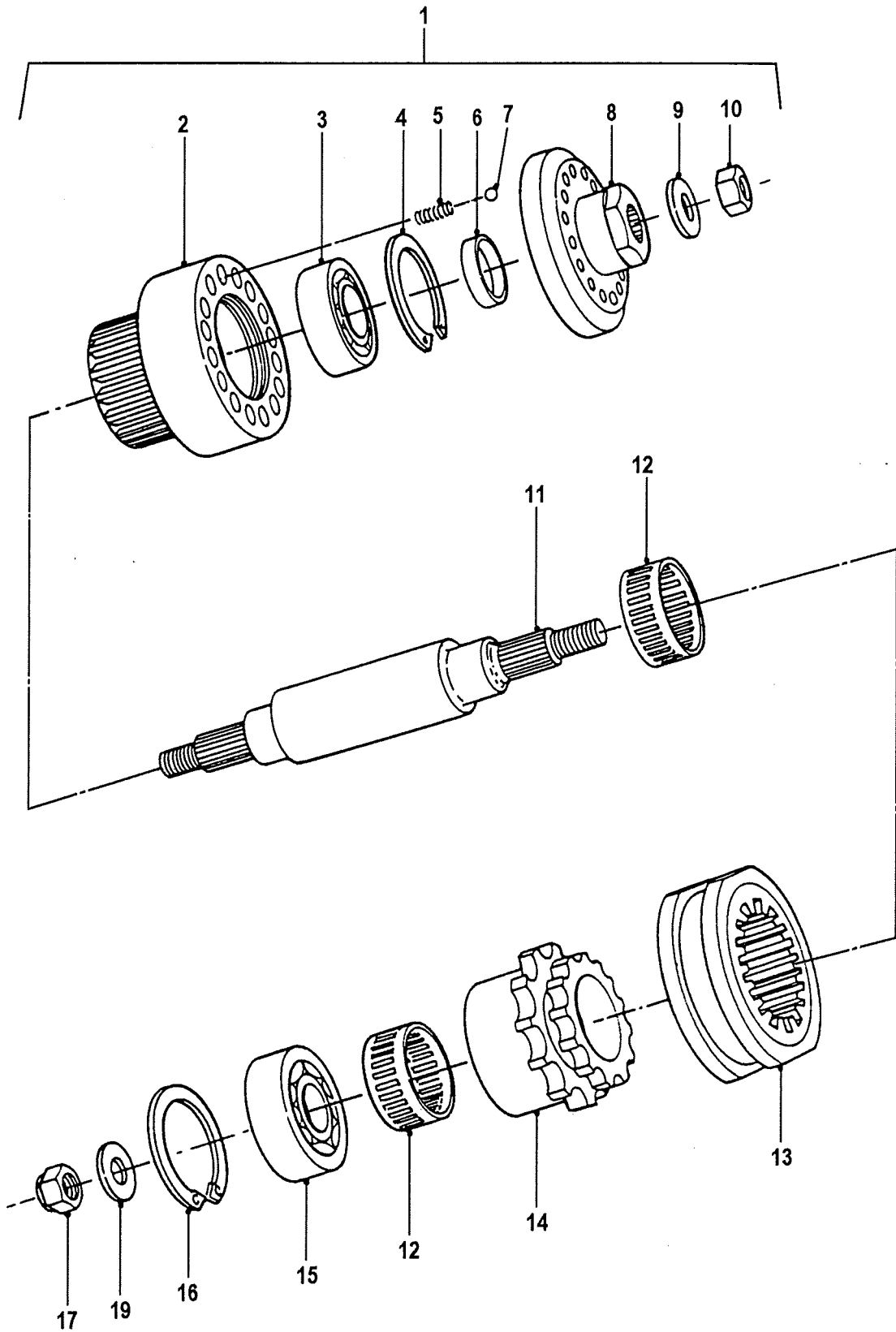
DERIVATIVE CODE

| <u>ITEM</u> | <u>PART NO.</u> | <u>DESCRIPTION</u> | <u>NSN</u> | <u>2185</u> | <u>2186</u> | <u>2208</u> | <u>2209</u> | <u>2210</u> | <u>2211</u> | <u>2212</u> | <u>2219</u> | <u>CP</u> |
|-------------|-----------------|---------------------|------------------|-------------|-------------|-------------|-------------|-------------|-------------|-------------|-------------|-----------|
| 27 | AYG3622 | GUARD-P.T.O. SWITCH | | | | | | | | | | 1 |
| 28 | NY106041 | NUT-NYLOC | 5310-99-138-8423 | | | | | | | | | 1 |

CHANGE POINT

ARN INTRODUCTION

GROUP UCB/1



POWER TAKE - OFF AND TORQUE LIMITER

PERENTIE LAND ROVER PARTS LIST

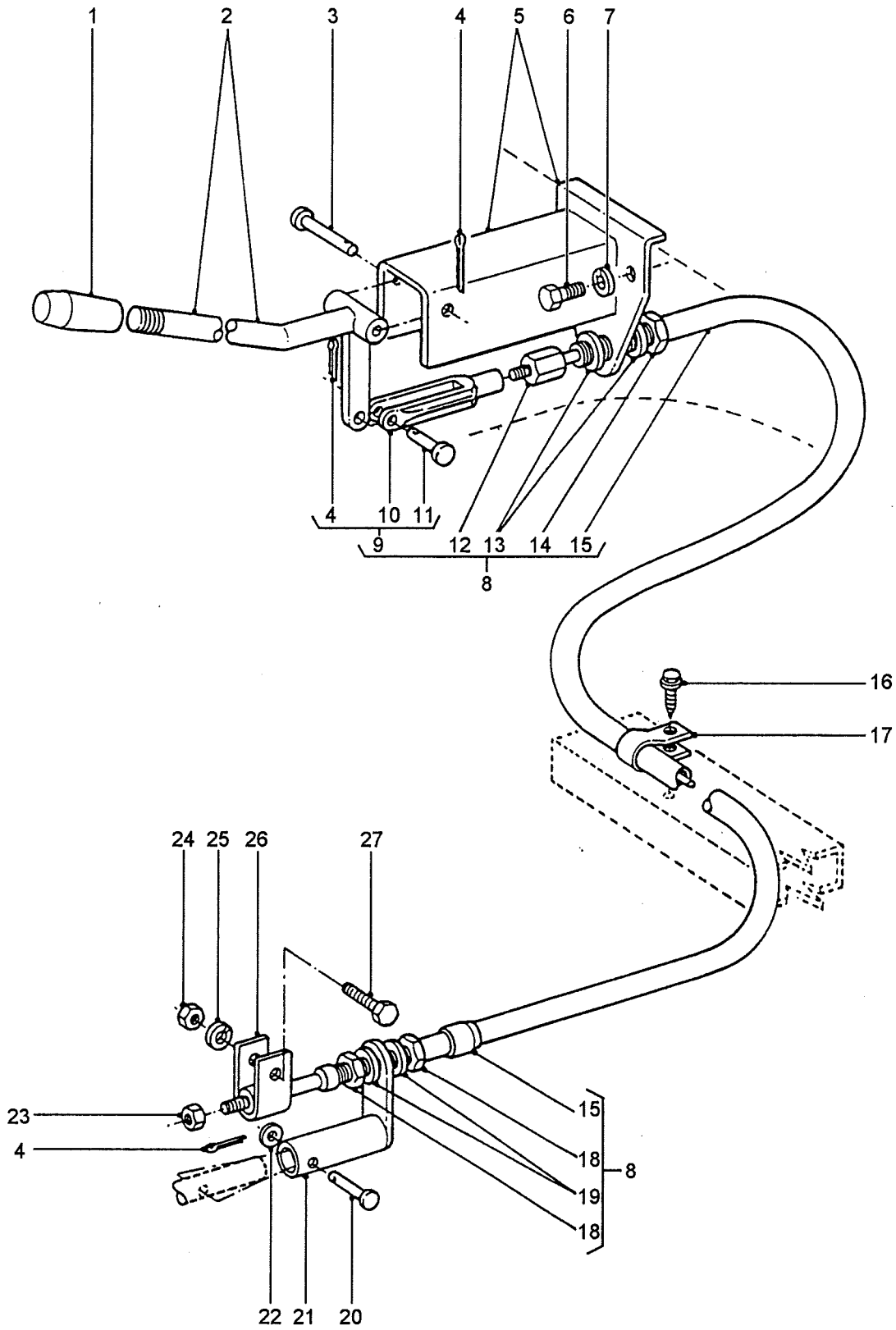
UCB /1/1 POWER TAKE - OFF AND TORQUE LIMITER

| <u>ITEM</u> | <u>PART NO.</u> | <u>DESCRIPTION</u> | <u>NSN</u> | <u>DERIVATIVE CODE</u> | | | | | | | |
|-------------|-----------------|----------------------------------|------------------|------------------------|-------------|-------------|-------------|-------------|-------------|-------------|-------------|
| | | | | <u>2185</u> | <u>2186</u> | <u>2208</u> | <u>2209</u> | <u>2210</u> | <u>2211</u> | <u>2212</u> | <u>2219</u> |
| 1 | AYG3486 | TORQUE LIMITER | | | 1 | 1 | 1 | | 1 | 1 | 1 |
| 2 | AYG3406 | HOUSING-BALL | | | 1 | 1 | 1 | | 1 | 1 | 1 |
| 3 | MYH3169 | BEARING-BALL | 3110-00-144-8518 | | 1 | 1 | 1 | | 1 | 1 | 1 |
| 4 | CR110525 | CIRCLIP | 5365-66-128-5078 | | 1 | 1 | 1 | | 1 | 1 | 1 |
| 5 | AYG3492 | SPRING | 5360-66-128-5083 | | 16 | 16 | 16 | | 16 | 16 | 16 |
| 6 | AYG3410 | SHIM-TORQUE LIMITER - 5.50MM | | | 1 | 1 | 1 | | 1 | 1 | 1 |
| | AYG3618 | SHIM-TORQUE LIMITER - 5.75MM | | | 1 | 1 | 1 | | 1 | 1 | 1 |
| | AYG3411 | SHIM-TORQUE LIMITER - 6.00MM | | | 1 | 1 | 1 | | 1 | 1 | 1 |
| | AYG3619 | SHIM-TORQUE LIMITER - 6.25MM | | | 1 | 1 | 1 | | 1 | 1 | 1 |
| | AYG3412 | SHIM-TORQUE LIMITER - 6.50 MM | | | 1 | 1 | 1 | | 1 | 1 | 1 |
| 7 | MYH3170 | BALL | 3110-66-128-5119 | | 16 | 16 | 16 | | 16 | 16 | 16 |
| 8 | AYG3518 | PLATE-TORQUE LIMITER | | | 1 | 1 | 1 | | 1 | 1 | 1 |
| 9 | WA112081L | WASHER-PLAIN | 5310-99-122-6477 | | 2 | 2 | 2 | | 2 | 2 | 2 |
| 10 | NV112041 | NUT-LOCK | 5310-99-139-9037 | | 1 | 1 | 1 | | 1 | 1 | 1 |
| 11 | AYG3408 | SHAFT-PTO | | | 1 | 1 | 1 | | 1 | 1 | 1 |
| 12 | MYH3104 | BEARING | 3110-66-128-5120 | | 2 | 2 | 2 | | 2 | 2 | 2 |
| 13 | AYG3517 | CLUTCH-DOG | | | 1 | 1 | 1 | | 1 | 1 | 1 |
| 14 | AYG3346 | SPROCKET | | | 1 | 1 | 1 | | 1 | 1 | 1 |
| 15 | MYH3103 | BEARING-BALL | 3110-66-013-7823 | | 1 | 1 | 1 | | 1 | 1 | 1 |
| 16 | CR110625 | CIRCLIP | 5365-66-128-5079 | | 1 | 1 | 1 | | 1 | 1 | 1 |
| 17 | NY112041L | NUT-NYLOC | 5310-99-768-7269 | | 1 | 1 | 1 | | 1 | 1 | 1 |

CHANGE POINT

ARN INTRODUCTION

GROUP UCC



POWER TAKE - OFF CONTROL CABLE

PERENTIE LAND ROVER PARTS LIST

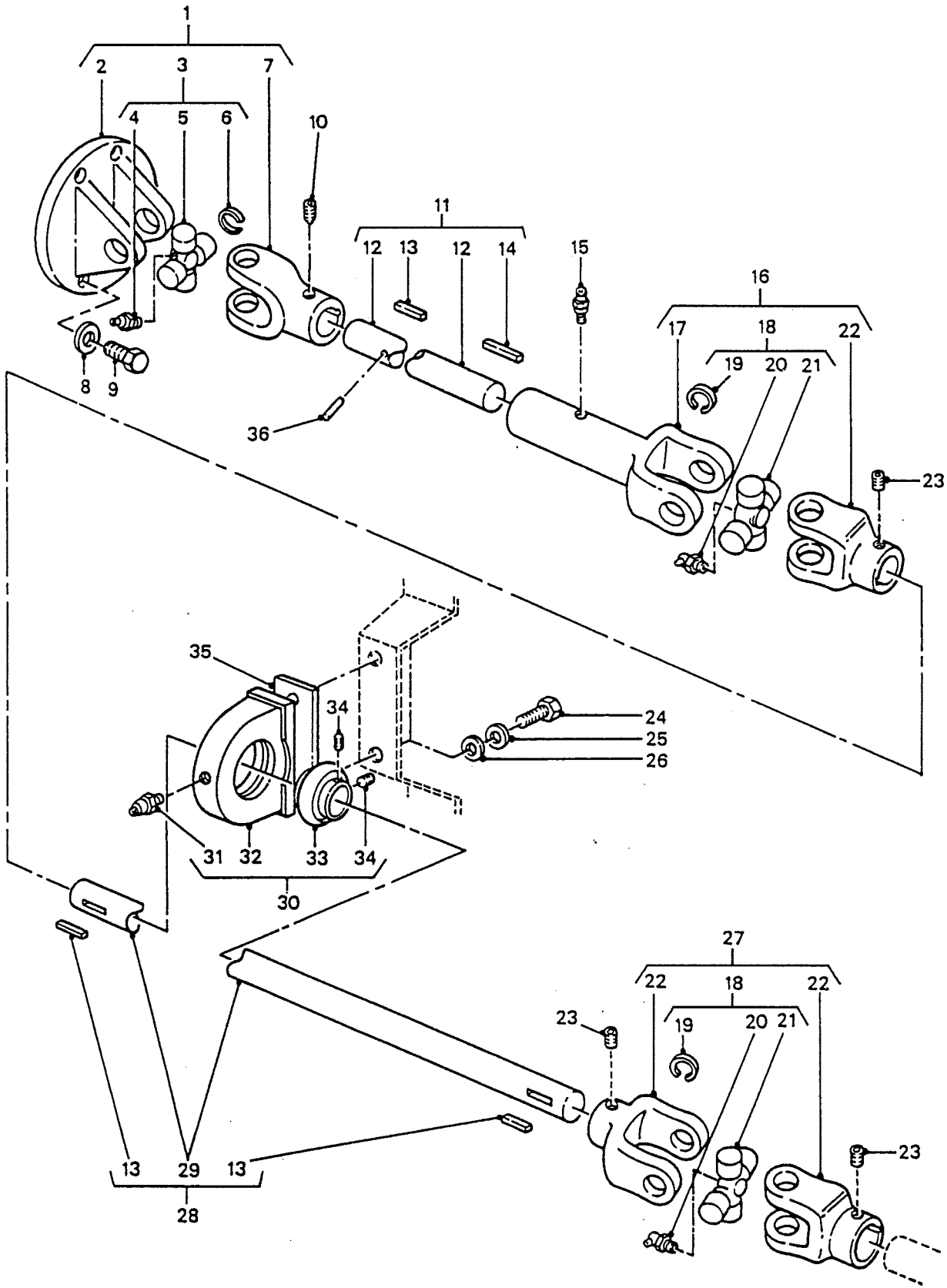
| ITEM | PART NO. | DESCRIPTION | NSN | DERIVATIVE CODE | | | | | | |
|------|-----------|---------------------|------------------|-----------------|------|------|------|------|------|------|
| | | | | 2185 | 2186 | 2208 | 2209 | 2210 | 2211 | 2212 |
| 1 | AYG3508 | KNOB-PTO LEVER | 2540-66-128-5837 | 1 | 1 | 1 | | 1 | 1 | 1 |
| 2 | AYG3506 | LEVER-PTO CONTROL | | 1 | 1 | 1 | | 1 | 1 | 1 |
| 3 | PC106561L | PIN-CLEVIS | 5315-66-128-5838 | 1 | 1 | 1 | | 1 | 1 | 1 |
| 4 | PS103121L | PIN-SPLIT | 5315-66-128-5106 | 3 | 3 | 3 | | 3 | 3 | 3 |
| 5 | AYG3512 | BRACKET-MOUNTING | | 1 | 1 | 1 | | | 1 | 1 |
| | AYG3559 | BRACKET-MOUNTING | | | | | | 1 | | |
| 6 | FS108201 | SCREW | 5305-99-122-5366 | 2 | 2 | 2 | | 2 | 2 | 2 |
| 7 | WL108001L | WASHER-LOCK | 5310-99-138-9227 | 2 | 2 | 2 | | 2 | 2 | 2 |
| | MM108301 | RIVNUT-CAB FRAME | 5310-99-772-5133 | | | | | 2 | | |
| 8 | AYG3513 | CABLE ASSY-WINCH | 2590-66-128-5839 | 1 | 1 | 1 | | 1 | 1 | 1 |
| 9 | MYH3322 | YOKE ASSY-PTO CABLE | | 1 | 1 | 1 | | 1 | 1 | 1 |
| 10 | NSS | | | | | | | | | |
| 11 | PC106201 | PIN-CLEVIS | 5315-66-128-5840 | 1 | 1 | 1 | | 1 | 1 | 1 |
| 12 | NSS | | | | | | | | | |
| 13 | NSS | | | | | | | | | |
| 14 | NSS | | | | | | | | | |
| 15 | NSS | | | | | | | | | |
| 16 | MYH3337 | SCREW | 5305-66-128-5341 | 1 | 1 | 1 | | 1 | 1 | 1 |
| 17 | HYG5287 | 'P' CLIP | | 1 | 1 | 1 | | 1 | 1 | 1 |
| 18 | NSS | | | | | | | | | |
| 19 | NSS | | | | | | | | | |
| 20 | PC106481 | PIN-CLEVIS | 5315-66-128-5105 | 1 | 1 | 1 | | 1 | 1 | 1 |
| 21 | AYG3504 | ARM ASSY-WINCH | | 1 | 1 | 1 | | 1 | 1 | 1 |
| 22 | WA106041L | WASHER-PLAIN | 5310-66-098-4440 | 1 | 1 | 1 | | 1 | 1 | 1 |
| 23 | NY910041 | NUT | 5310-66-128-4629 | 1 | 1 | 1 | | 1 | 1 | 1 |
| 24 | NH106041L | NUT | 5310-66-098-4401 | 1 | 1 | 1 | | 1 | 1 | 1 |
| 25 | WL106001L | WASHER-LOCK | 5310-99-137-9232 | 1 | 1 | 1 | | 1 | 1 | 1 |
| 26 | AYG3503 | BRACKET ASSY-WINCH | | 1 | 1 | 1 | | 1 | 1 | 1 |
| 27 | SH106301L | SCREW | 5305-99-122-5363 | 1 | 1 | 1 | | 1 | 1 | 1 |

CHANGE POINT

ARN INTRODUCTION

May 1995

GROUP UCD



WINCH DRIVE LINE

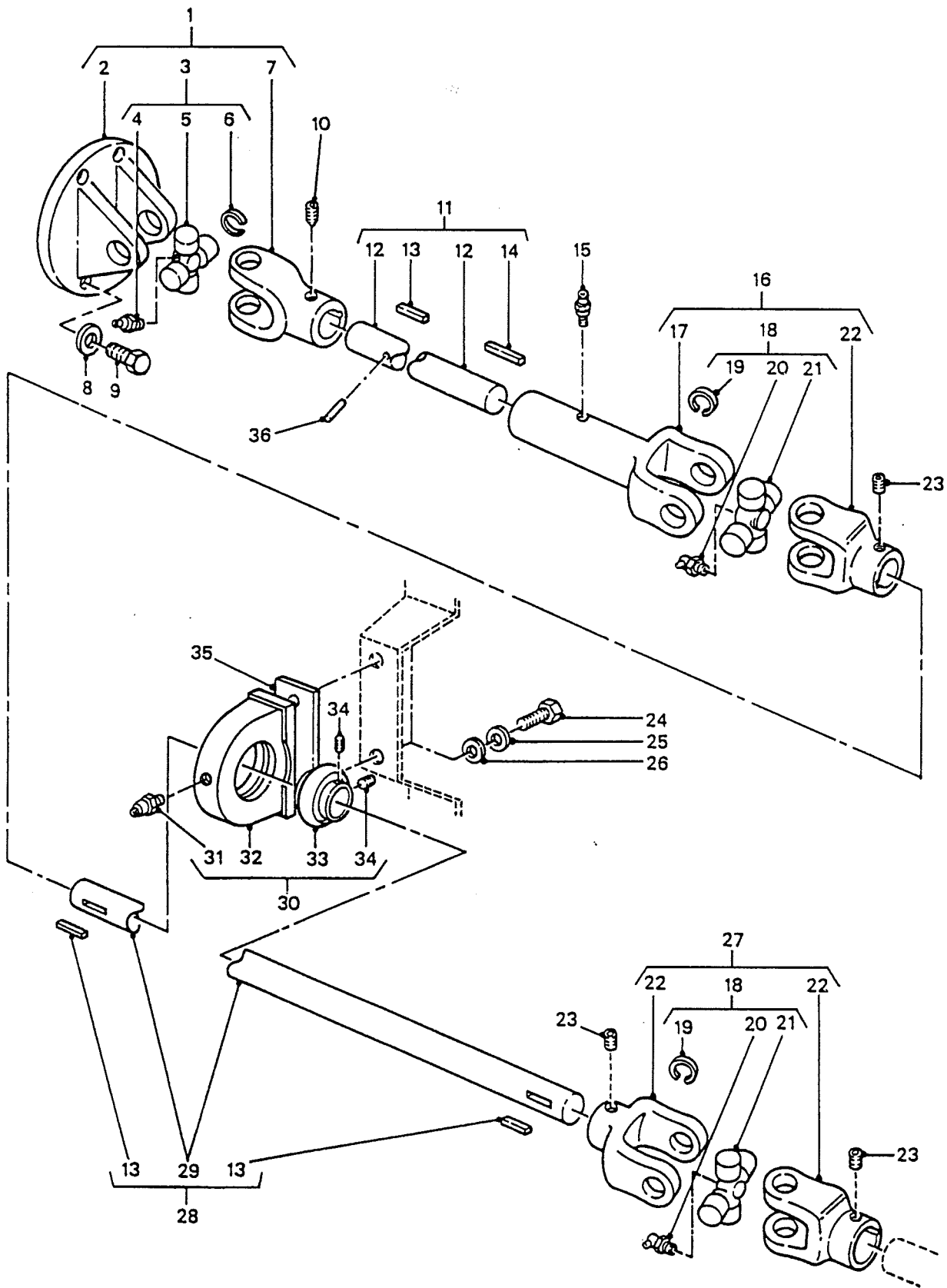
PERENTIE LAND ROVER PARTS LIST

UCD /1/1 WINCH DRIVE LINE

DERIVATIVE CODE

| ITEM | PART NO. | DESCRIPTION | NSN | DERIVATIVE CODE | | | | | | | | | | | | | | | | |
|------|-----------|-------------------------|------------------|-----------------|------|------|------|------|------|------|------|----|--|--|--|--|--|--|--|--|
| | | | | 2185 | 2186 | 2208 | 2209 | 2210 | 2211 | 2212 | 2219 | CP | | | | | | | | |
| 1 | BYG8001 | JOINT-UNIVERSAL-FLANGE | | | | | | | | | | | | | | | | | | |
| 2 | HYL8761 | FLANGE | | | | | | | | | | | | | | | | | | |
| 3 | HYM469 | KIT-UNIVERSAL JOINT | 3040-66-075-2386 | | | | | | | | | | | | | | | | | |
| 4 | NSS | | | | | | | | | | | | | | | | | | | |
| 5 | NSS | | | | | | | | | | | | | | | | | | | |
| 6 | CR110245 | CIRCLIP | 5365-66-128-5317 | | | | | | | | | | | | | | | | | |
| 7 | HYL8893 | YOKE | | | | | | | | | | | | | | | | | | |
| 8 | WL108001L | WASHER-LOCK | 5310-99-138-9227 | | | | | | | | | | | | | | | | | |
| 9 | FS108201 | SCREW <i>FS108207</i> | 5305-99-122-5366 | | | | | | | | | | | | | | | | | |
| 10 | MYH3571 | GRUB SCREW | 5305-66-128-6104 | | | | | | | | | | | | | | | | | |
| 11 | AYG8190 | SHAFT | | | | | | | | | | | | | | | | | | |
| 12 | NSS | | | | | | | | | | | | | | | | | | | |
| 13 | HYL8862 | KEY-LONG | 5315-66-128-5842 | | | | | | | | | | | | | | | | | |
| 14 | HYL8863 | KEY-SHORT | 5315-66-128-5841 | | | | | | | | | | | | | | | | | |
| 15 | HYL8788 | GREASE NIPPLE | 4730-66-128-5069 | | | | | | | | | | | | | | | | | |
| 16 | AYG8587 | JOINT-UNIVERSAL-SLIDING | | | | | | | | | | | | | | | | | | |
| 17 | HYL8861 | YOKE-SLIDING | | | | | | | | | | | | | | | | | | |
| 18 | HYL8764 | JOINT UNIVERSAL | 2520-66-128-5053 | | | | | | | | | | | | | | | | | |
| 19 | CR120255 | CIRCLIP | | | | | | | | | | | | | | | | | | |
| 20 | HYL8767 | GREASE NIPPLE | 4730-66-128-5070 | | | | | | | | | | | | | | | | | |
| 21 | NSS | | | | | | | | | | | | | | | | | | | |
| 22 | HYL8860 | YOKE-SHORT | | | | | | | | | | | | | | | | | | |
| 23 | HYL8790 | GRUB SCREW | 5305-66-128-5115 | | | | | | | | | | | | | | | | | |
| 24 | SH110201L | BOLT | 5305-99-122-4909 | | | | | | | | | | | | | | | | | |
| 25 | WL110001L | WASHER-LOCK | 5310-99-138-9228 | | | | | | | | | | | | | | | | | |
| 26 | WA110061L | WASHER-PLAIN | 5310-99-122-6476 | | | | | | | | | | | | | | | | | |
| 27 | AYG8586 | JOINT-UNIVERSAL | | | | | | | | | | | | | | | | | | |
| 28 | AYG8145 | SHAFT-WINCH | | | | | | | | | | | | | | | | | | |
| 29 | NSS | | | | | | | | | | | | | | | | | | | |

GROUP UCD



WINCH DRIVE LINE

PERENTIE LAND ROVER PARTS LIST

UCD /1/1 WINCH DRIVE LINE

| <u>ITEM</u> | <u>PART NO.</u> | <u>DESCRIPTION</u> | <u>NSN</u> | <u>DERIVATIVE CODE</u> | | | | | | | <u>CP</u> | |
|-------------|-----------------|--|------------------|------------------------|-------------|-------------|-------------|-------------|-------------|-------------|-----------|-------------|
| | | | | <u>2185</u> | <u>2186</u> | <u>2208</u> | <u>2209</u> | <u>2210</u> | <u>2211</u> | <u>2212</u> | | <u>2219</u> |
| 30 | HYG2492 | BEARING-PLUMMER BLOCK | | | 1 | 1 | 1 | | 1 | 1 | 1 | |
| 31 | NSS | | | | | | | | | | | |
| 32 | NSS | | | | | | | | | | | |
| 33 | HYL8892 | BEARING | 3130-66-128-5843 | | 1 | 1 | 1 | | 1 | 1 | 1 | |
| 34 | HYL8794 | GRUB SCREW | 5305-66-128-5116 | | 2 | 2 | 2 | | 2 | 2 | 2 | |
| 35 | HYG4046 | SPACER PLATE-PLUMMER BLOCK TO CHASSIS | | | 1 | 1 | 1 | | | 1 | | |
| 36 | PA112301 | ROLL PIN | 5315-66-128-4539 | | 1 | 1 | 1 | | 1 | 1 | 1 | |
| | AYG8191 | KIT-WINCH DRIVE LINE | | | 1 | 1 | 1 | | 1 | 1 | 1 | |

CHANGE POINT

ARN INTRODUCTION

PERENTIE LAND ROVER PARTS LIST

UCE /1/1 TOOLS (NO ILLUSTRATION)

| ITEM | PART NO. | DESCRIPTION | NSN | DERIVATIVE CODE | | | | | | | | |
|------|----------|--|------------------|-----------------|------|------|------|------|------|------|------|----|
| | | | | 2185 | 2186 | 2208 | 2209 | 2210 | 2211 | 2212 | 2219 | CP |
| 1 | AYG8120 | JACK-DUAL LIFT-5.0 TON, WITH HANDLE | | 1 | 1 | 1 | 1 | 1 | 1 | 1 | 1 | 1 |
| 2 | AYG8672 | BASE PLATE-JACK | | 1 | 1 | 1 | 1 | 1 | 1 | 1 | 1 | 1 |
| 3 | HYG2925 | RETAINER-JACK-LH TOOLBOX | | 1 | 1 | 1 | 1 | 1 | 1 | 1 | 1 | 1 |
| 4 | R371144 | RING-RETAINING-JACK | | 1 | 1 | 1 | 1 | 1 | 1 | 1 | 1 | 1 |
| 5 | HYG5790 | JACK-HIGH LIFT | | | | | | | | 1 | | |
| 6 | AYG8205 | SAFETY PIN-HIGH LIFT JACK | | | | | | | | 1 | | |
| 7 | R568860 | CABLE TIE-HIGH LIFT JACK TO BRUSHGUARD | | | | | | | | 2 | | |
| 8 | AYG8114 | WHEELBRACE | | 1 | 1 | 1 | 1 | 1 | 1 | 1 | 1 | 1 |
| 9 | AYG8747 | GAUGE-TYRE PRESSURE | 4910-66-054-4679 | 1 | 1 | 1 | 1 | 1 | 1 | 1 | 1 | 1 |
| 10 | R523638 | PUMP-TYRE | | 1 | 1 | 1 | 1 | 1 | 1 | 1 | 1 | 1 |
| 11 | AYG8122 | TOOL ROLL | | 1 | 1 | 1 | 1 | 1 | 1 | 1 | 1 | 1 |
| 12 | AYG8125 | SCREW DRIVER-FLAT TIP | | 1 | 1 | 1 | 1 | 1 | 1 | 1 | 1 | 1 |
| 13 | AYG8126 | SCREW DRIVER -CROSS TIP NO.3 | | 1 | 1 | 1 | 1 | 1 | 1 | 1 | 1 | 1 |
| 14 | AYG8127 | PICK HEAD-2.2KG | | | | | | | | 1 | | |
| 15 | AYG8128 | HANDLE-PICK | | | | | | | | 1 | | |
| 16 | AYG8121 | AXE-SINGLE BIT-2.0KG | | | | | | | | 1 | | |
| 17 | AYG8124 | SHOVEL-ROUND POINTED | | | | | | | | 1 | | |
| 18 | AYG8131 | SPANNER-250MM -ADJUSTABLE | | 1 | 1 | 1 | 1 | 1 | 1 | 1 | 1 | 1 |
| 19 | AYG8132 | PLIERS-SIDE CUTTING | | 1 | 1 | 1 | 1 | 1 | 1 | 1 | 1 | 1 |
| 20 | AYG8133 | SPANNER-OPEN END-5/8 & 11/16 AF | | | | | 1 | 1 | | | | |
| 21 | AYG8134 | SPANNER-OPEN END-1/2 & 9/16 AF | | 1 | 1 | 1 | 1 | 1 | 1 | 1 | 1 | 1 |
| 22 | AYG8135 | SPANNER-RING-5/8 & 11/16 AF | | | | | 1 | 1 | | | | |

PERENTIE LAND ROVER PARTS LIST

UCE /1/1 TOOLS (NO ILLUSTRATION)

| <u>ITEM</u> | <u>PART NO.</u> | <u>DESCRIPTION</u> | <u>NSN</u> | <u>DERIVATIVE CODE</u> | | | | | | | | |
|-------------|-----------------|-------------------------------|------------------|------------------------|-------------|-------------|-------------|-------------|-------------|-------------|-------------|-----------|
| | | | | <u>2185</u> | <u>2186</u> | <u>2208</u> | <u>2209</u> | <u>2210</u> | <u>2211</u> | <u>2212</u> | <u>2219</u> | <u>CP</u> |
| 23 | AYG8136 | SPANNER-RING-1/2 & 9/16 AF | | 1 | 1 | 1 | 1 | 1 | 1 | 1 | 1 | |
| 24 | AYG8192 | SPANNER-OPEN END- 13MM AF | | | | | | | | | 1 | |
| 25 | ANR3052 | CHOCK-WHEEL | | 2 | 2 | 2 | 2 | 2 | 2 | 2 | 2 | 2 |
| 26 | HYG3022 | KEY-BUDGET LOCK | 6115-66-038-2801 | 1 | 1 | 1 | 1 | 1 | 1 | 1 | 1 | 1 |
| 27 | BYG2101 | HOSE-TYRE PUMP COMPRESSOR | 4720-66-128-6401 | | | | 1 | | | 1 | 1 | 1 |
| 28 | HYG4056 | TIE DOWN STRAPS-MOTORCYCLE | | | | | | | | | 4 | |
| 29 | HYG4101 | MAT-DEBOGGING | | | | | | | | | 4 | |
| 30 | HYG3980 | COVER-MACHINE GUN-MINIMI | | | | | | | | | 1 | |
| 31 | HYG4069 | COVER-MACHINE GUN-MAG58 | | | | | | | | | 1 | |
| 32 | HYG5921 | HANDLE-COCKING-MAG58 | | | | | | | | | 1 | |
| 33 | PA106161L | ROLL PIN | | | | | | | | | 1 | |
| 34 | HYG4753 | BRACKET-TRIPOD | | | | | | | | | | 1 |
| 35 | FS106161 | SCREW | 5305-99-122-5360 | | | | | | | | | 4 |
| 36 | WA106041L | WASHER-PLAIN | 5310-66-098-4440 | | | | | | | | | 4 |
| 37 | WL106001L | WASHER-LOCK | 5310-99-137-9232 | | | | | | | | | 4 |

CHA E POINT ARN INTRODUCTION