

ROVER AUSTRALIA PARTS BOOK FOR AUSTRALIAN ARMY LAND ROVER 6x6 VEHICLES COMBINED PARTS LIST

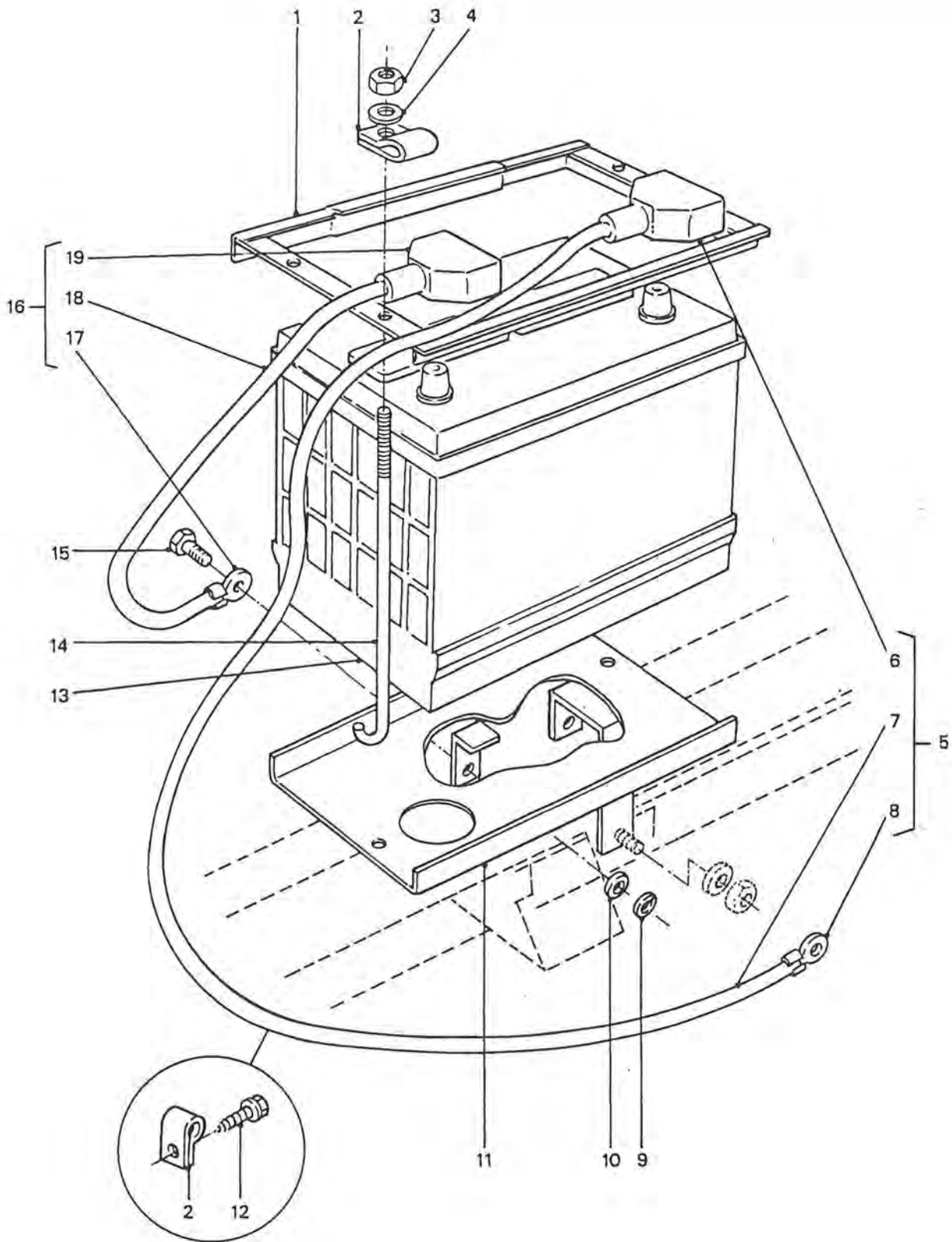
Copyright of this document is retained by Land Rover Australia. The document dated 1996 contains the parts utilised on the vehicles at that point in time. Some parts may have been superseded or changed since that time.

This document has been download from the Registry of Ex Military Land Rovers at <http://www.remlr.com> . All files available from this site are free of charge.

If you have paid for this document please report where you purchased it from to the Registry of Ex Military Land Rovers Inc.



GROUP QB



BATTERY, CARRIER AND CABLES

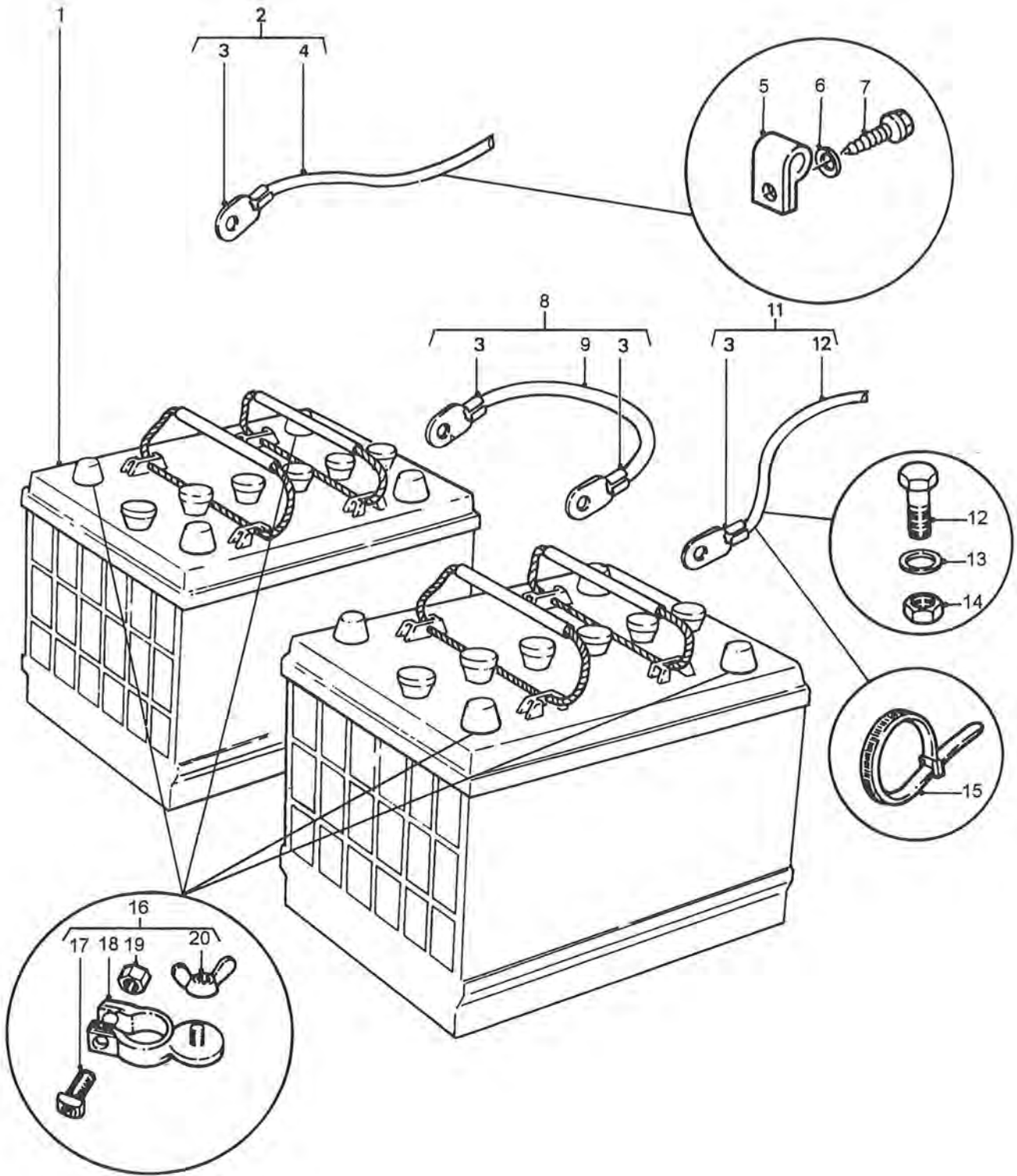
PERENTIE LAND ROVER PARTS LIST

<u>ITEM</u>	<u>QB /1/1</u> <u>PART NO.</u>	<u>BATTERY, CARRIER AND CABLES</u> <u>DESCRIPTION</u>	<u>NSN</u>	<u>DERIVATIVE CODE</u>								
				<u>2185</u>	<u>2186</u>	<u>2208</u>	<u>2209</u>	<u>2210</u>	<u>2211</u>	<u>2212</u>	<u>2219</u>	<u>CP</u>
1	AYG2916	CLAMP-BATTERY	6160-66-128-4928	1	1	1	1	1	1	1	1	1
2	CP104121	'P' CLIP-CABLES	5340-66-128-5611	5	5	5	5	5	5	5	5	5
3	NY106041L	NUT-NYLOC	5310-99-138-8423	2	2	2	2	2	2	2	2	2
4	WC106041L	WASHER-PLAIN	5310-99-122-3411	2	2	2	2	2	2	2	2	2
5	AYG9858	CABLE-BATTERY-POSITIVE	6140-66-128-4809	1	1	1	1	1	1	1	1	1
6	NSS											
7	NSS											
8	NSS											
9	WL110001L	WASHER-LOCK	5310-99-138-9228	2	2	2	2	2	2	2	2	2
10	WA110061L	WASHER-PLAIN	5310-99-122-6476	2	2	2	2	2	2	2	2	2
11	BYG9075	CARRIER-BATTERY		1	1	1	1	1	1	1	1	1
12	MYH3337	SCREW	5305-66-128-5341	4	4	4	4	4	4	4	4	4
13	NSS		6140-66-090-1903									
14	STC307	J BOLT-BATTERY	5306-66-128-5244	2	2	2	2	2	2	2	2	2
15	FS110301	SCREW	5305-66-098-4283	2	2	2	2	2	2	2	2	2
16	AYG9715	CABLE-BATTERY-NEGATIVE	6140-66-128-4808	1	1	1	1	1	1	1	1	1
17	NSS											
18	NSS											
19	NSS											

CHANGE POINT

ARN INTRODUCTION

GROUP QBA/1



**BATTERIES AND CABLES – MODULE
– GMV & ERV ONLY**

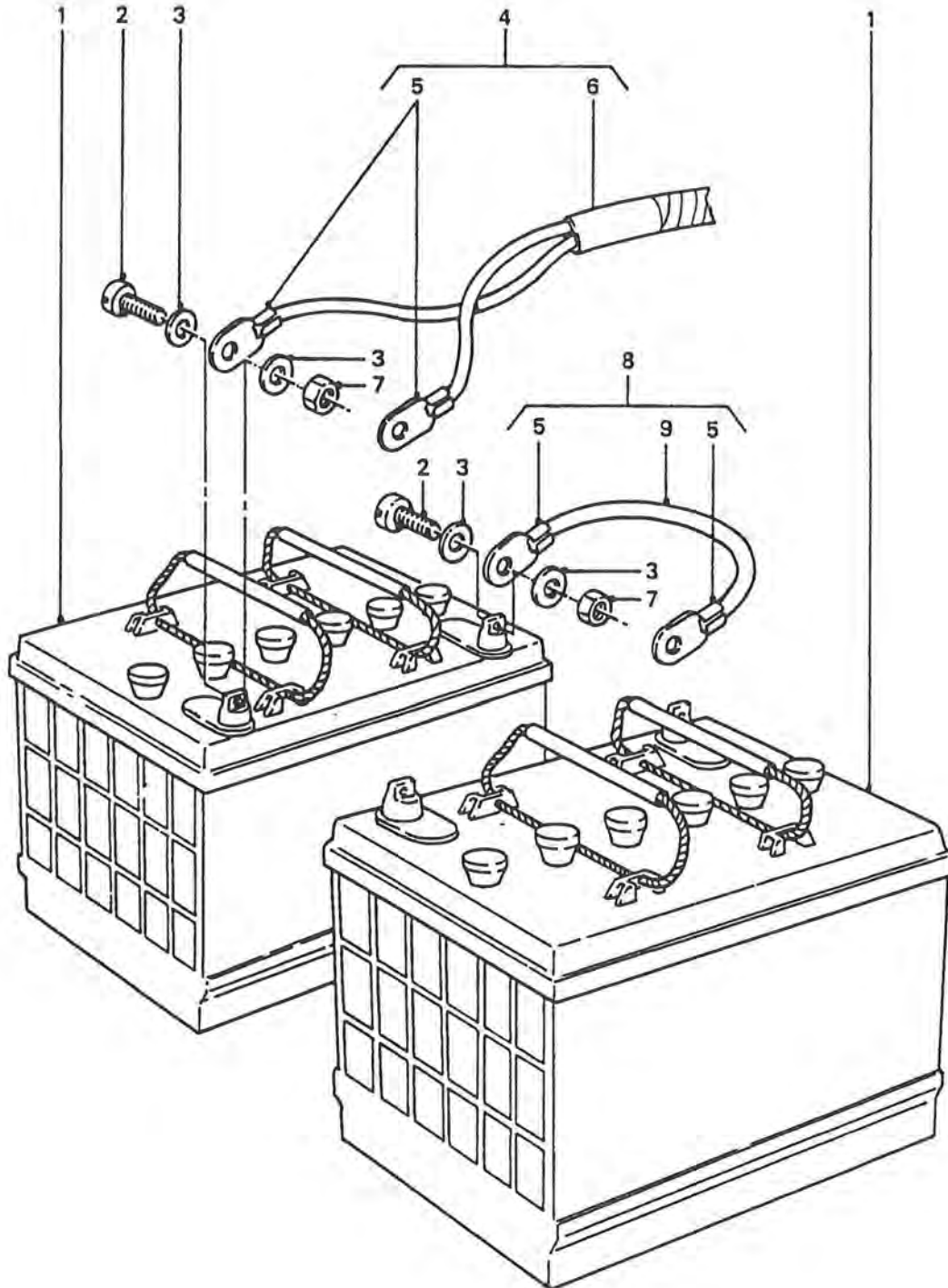
PERENTIE LAND ROVER PARTS LIST

QBA /1/1 BATTERIES AND CABLES - MODULE - GMV & ERV ONLY

ITEM	PART NO.	DESCRIPTION	NSN	DERIVATIVE CODE									
				2185	2186	2208	2209	2210	2211	2212	2219	CP	
1	NSS												
2	BYG9030	CABLE-ALTERNATOR TO MODULE BATTERIES					1			1			
3	NSS												
4	NSS												
5	MYH2697	CLIP-PIPE	5340-66-128-4546				3			3			
6	WC106041L	WASHER-PLAIN	5310-99-122-3411				3			3			
7	MYH3337	SCREW	5305-66-128-5341				2			2			
8	BYG9028	CABLE-LINK	6150-66-128-6027				1			1			
9	NSS												
10	BYG9029	CABLE-EARTH					1			1			
11	NSS												
12	BH110161L	BOLT	5306-99-788-9287				3			3			
13	WA110061L	WASHER-PLAIN	5310-99-122-6476				3			3			
14	NV110041L	NUT	5310-99-138-1473				3			3			
15	MYH1763	CABLE TIE	5975-12-199-8964				6			6			
16	BYG9027	TERMINAL-BATTERY					4			4			
17	NSS												
18	NSS												
19	NSS												
20	NSS												
	MYH5256/300	SPIREWRAPE-ALT. CABLE TO EARTH CABLE - CHASSIS X/MEMBER					1			1			

CHANGE POINT

ARN INTRODUCTION

GROUP QBA/2

**BATTERIES AND CABLES – FFR
– AMBULANCE AND AIR DEFENCE ONLY**

PERENTIE LAND ROVER PARTS LIST

ITEM	PART NO.	DESCRIPTION	NSN	DERIVATIVE CODE							CP
				2185	2186	2208	2209	2210	2211	2212	
1	NSS										
2	SE106251L	SCREW	5305-99-135-0442				4				4
3	WA106041L	WASHER-PLAIN	5310-66-098-4440				8				8
4	AYG9966	CABLE-BATTERY TO DISTRIBUTION BOX	6140-66-128-5887				1				1
5	NSS										
6	NSS										
7	NY106041L	NUT-NYLOC	5310-99-138-8423				4				4
8	AYG9920	CABLE-LINK-RADIO BATTERIES	6140-66-128-5322				1				1
9	NSS										
	MYH5256/600	SPIREWAP-CABLES TO DIST.BOX-CHASSIS X/MEMBER					1				1

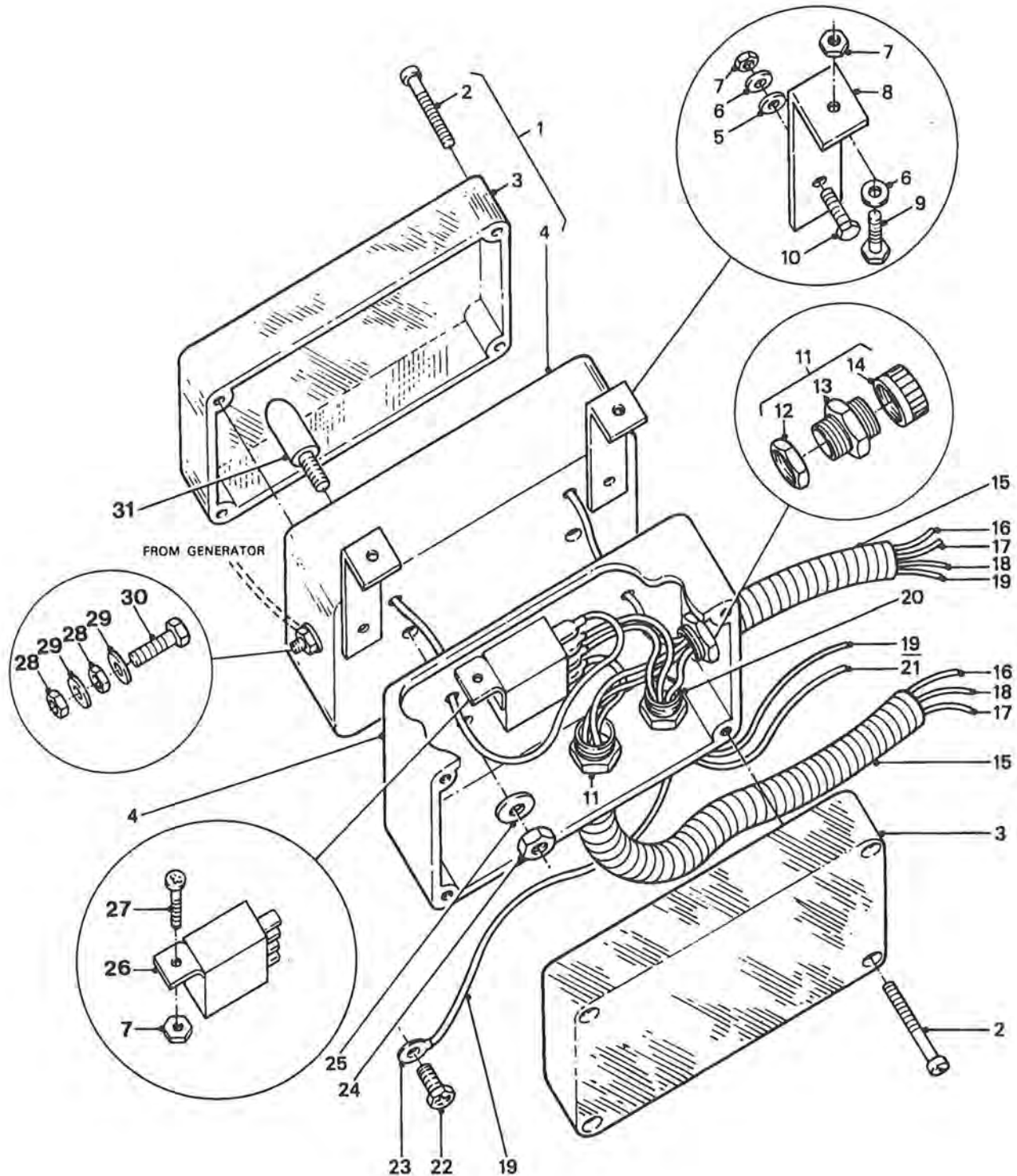
CHANGE POINT

ARN INTRODUCTION

PERENTIE LAND ROVER PARTS LIST

ITEM	PART NO.	DESCRIPTION	NSN	DERIVATIVE CODE								
				2185	2186	2208	2209	2210	2211	2212	2219	CP
1	HYM399	JUNCTION BOX										2
2	NSS											
3	NSS											
4	NSS											
5	HYM400	WASHER-FIBRE										2
6	WA106001L	WASHER-PLAIN										2
7	NY106041L	NUT-NYLOC	5310-99-138-8423									5
8	HYM401	BRACKET-MOUNTING										2
9	SH106301L	SCREW	5305-99-122-5363									2
10	SH106251L	SCREW	5305-99-122-5362									2
11	HYM116	GLAND ASSY										2
12	NSS											1
13	NSS											1
14	NSS											1
15	HYM473	CONDUIT-20MM DIA-10M LONG (USE AS REQUIRED)										1
16	HYM474	CABLE-6MM DIA-30M LONG (USE AS REQUIRED) BLACK										2
17	NSS											2
18	HYM475	CABLE-6MM DIA-30M LONG (USE AS REQUIRED) RED										2
19	NSS											3
20	HYM118	GLAND ASSY										1
21	NSS											
22	HYM145	SCREW										1
23	HYM119	TERMINAL										3
24	NSS											
25	NSS											
26	HYM113	RELAY-12V-70A	5945-66-128-6028									1

GROUP QBB/1



**JUNCTION BOX AND JUMPER TERMINALS
- GMV ONLY**

PERENTIE LAND ROVER PARTS LIST

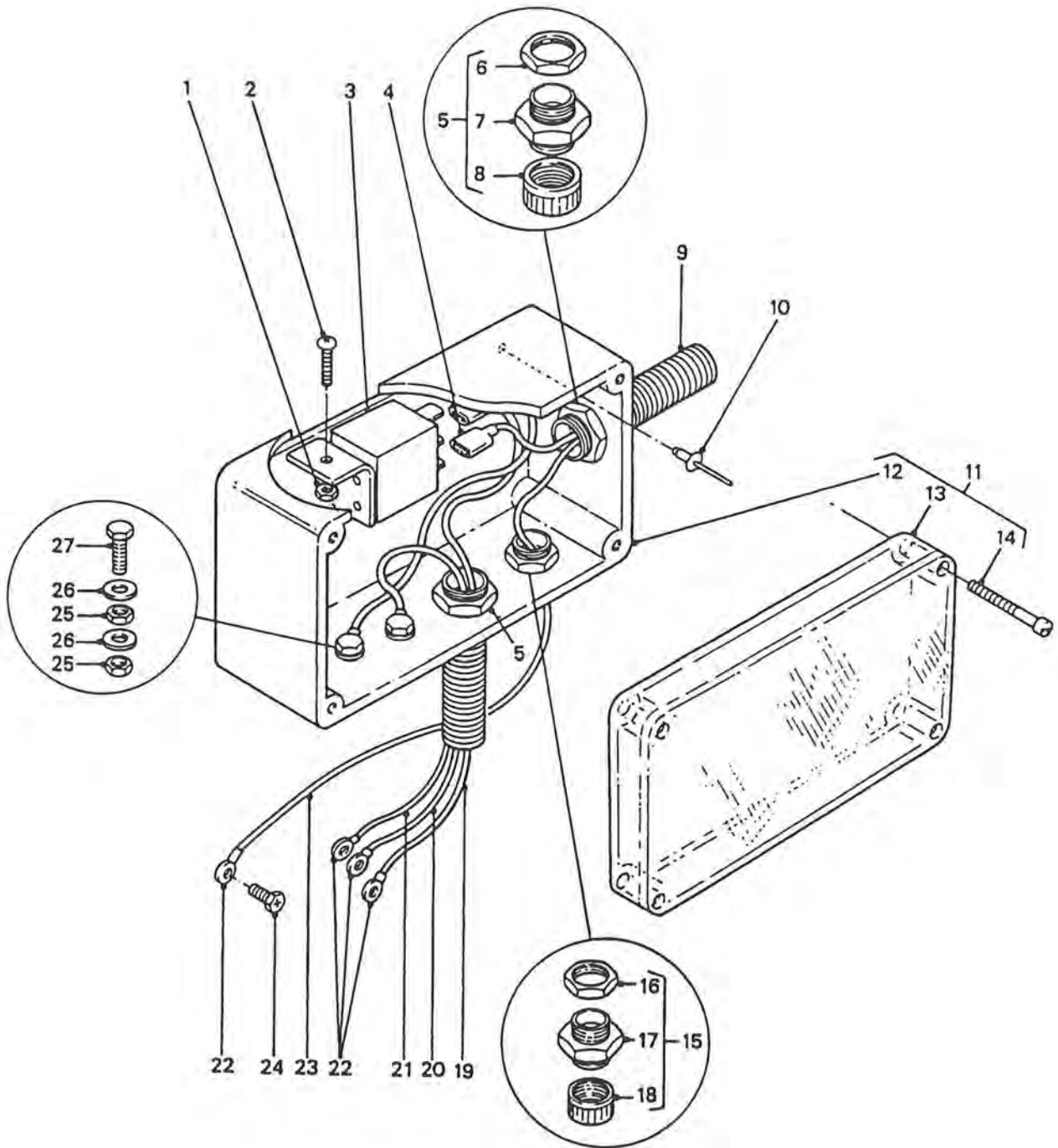
QBB /1/1 JUNCTION BOX AND JUMPER TERMINALS - GMV ONLY

<u>ITEM</u>	<u>PART NO.</u>	<u>DESCRIPTION</u>	<u>NSN</u>	<u>DERIVATIVE CODE</u>									
				<u>2185</u>	<u>2186</u>	<u>2208</u>	<u>2209</u>	<u>2210</u>	<u>2211</u>	<u>2212</u>	<u>2219</u>	<u>CP</u>	
27	SE106121L	SCREW	5305-99-122-5289										1
28	HYM120	NUT-BRASS											2
29	HYM121	WASHER-BRASS											4
30	HYM122	SCREW-BRASS											2
31	HYM402	TERMINAL											3

CHANGE POINT

ARN INTRODUCTION

GROUP QBB/2



**JUNCTION BOX – BATTERY TO 24 VOLT
GENERATOR – ERV ONLY**

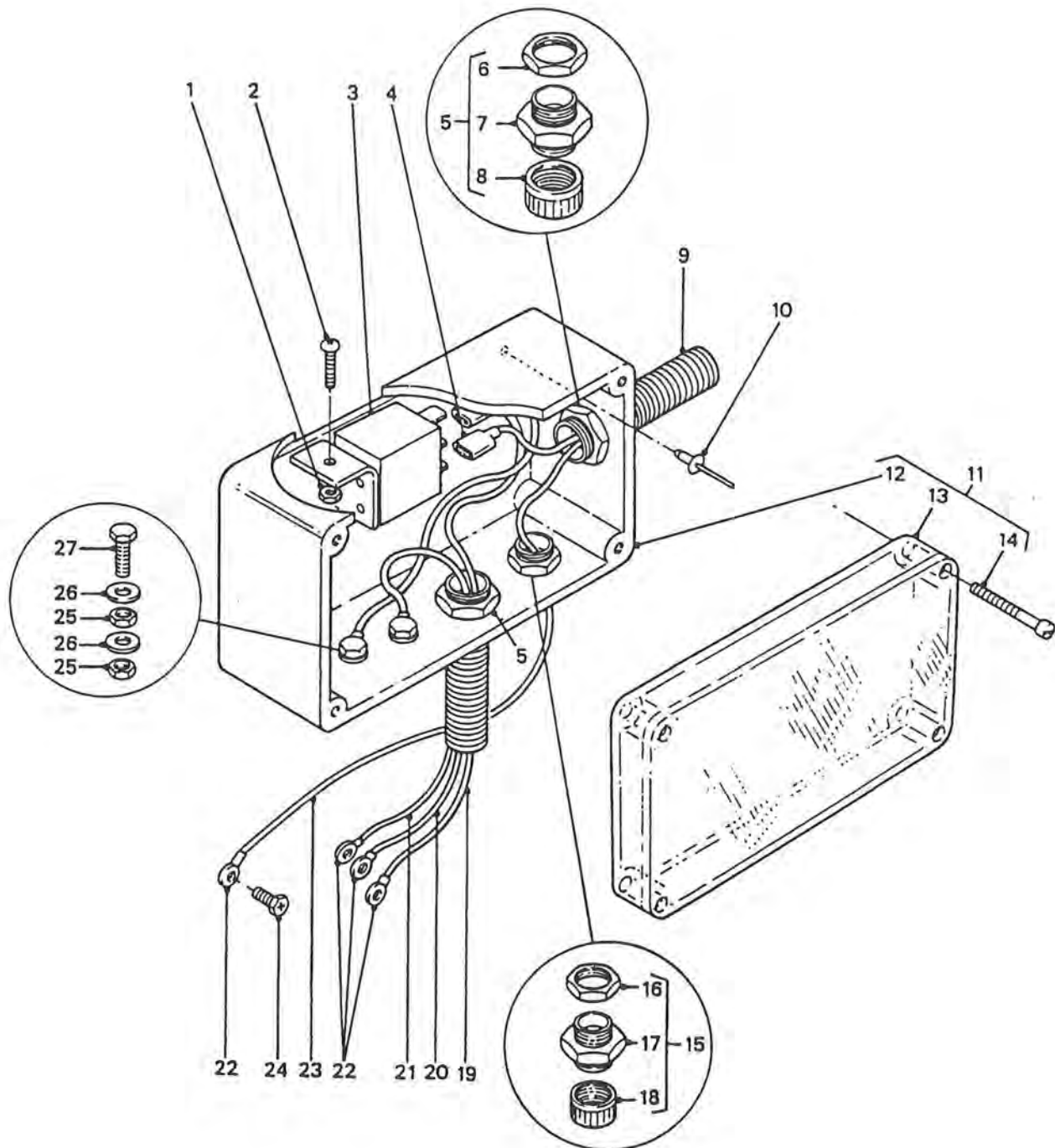
PERENTIE LAND ROVER PARTS LIST

QBB /2/1 JUNCTION BOX - BATTERY TO 24 VOLT GENERATOR - ERV ONLY

DERIVATIVE CODE

<u>ITEM</u>	<u>PART NO.</u>	<u>DESCRIPTION</u>	<u>NSN</u>	<u>2185</u>	<u>2186</u>	<u>2208</u>	<u>2209</u>	<u>2210</u>	<u>2211</u>	<u>2212</u>	<u>2219</u>	<u>CP</u>
1	NY106041L	NUT-NYLOC	5310-99-138-8423									1
2	SE106121L	SCREW	5305-99-122-5289									1
3	HYM113	RELAY-12V-70A	5945-66-128-6028									1
4	HYM114	TERMINAL-6.3MM										2
4	HYM115	TERMINAL-9.5MM										2
5	HYM116	GLAND ASSY										2
6	NSS											
7	NSS											
8	NSS											
9	HYM473	CONDUIT-20MM DIA-10M LONG (USE AS REQUIRED)										1
10	HYL9945	RIVET										2
11	HYM117	BOX-JUNCTION										1
12	NSS											
13	NSS											
14	NSS											
15	HYM118	GLAND ASSY										1
16	NSS											
17	NSS											
18	NSS											
19	HYM475	CABLE-6MM DIA-30M LONG RED - USE AS REQUIRED										1
20	HYM474	CABLE-6MM DIA-30M LONG-BLACK(USE AS REQUIRED)										1
21	NSS											
22	HYM119	TERMINAL										3
23	HYM474/2000	CABLE										1
24	HYM145	SCREW										1
25	HYM120	NUT-BRASS										2

GROUP QBB/2



**JUNCTION BOX – BATTERY TO 24 VOLT
GENERATOR – ERV ONLY**

PERENTIE LAND ROVER PARTS LIST

QBB /2/1 JUNCTION BOX - BATTERY TO 24 VOLT GENERATOR - ERV ONLY

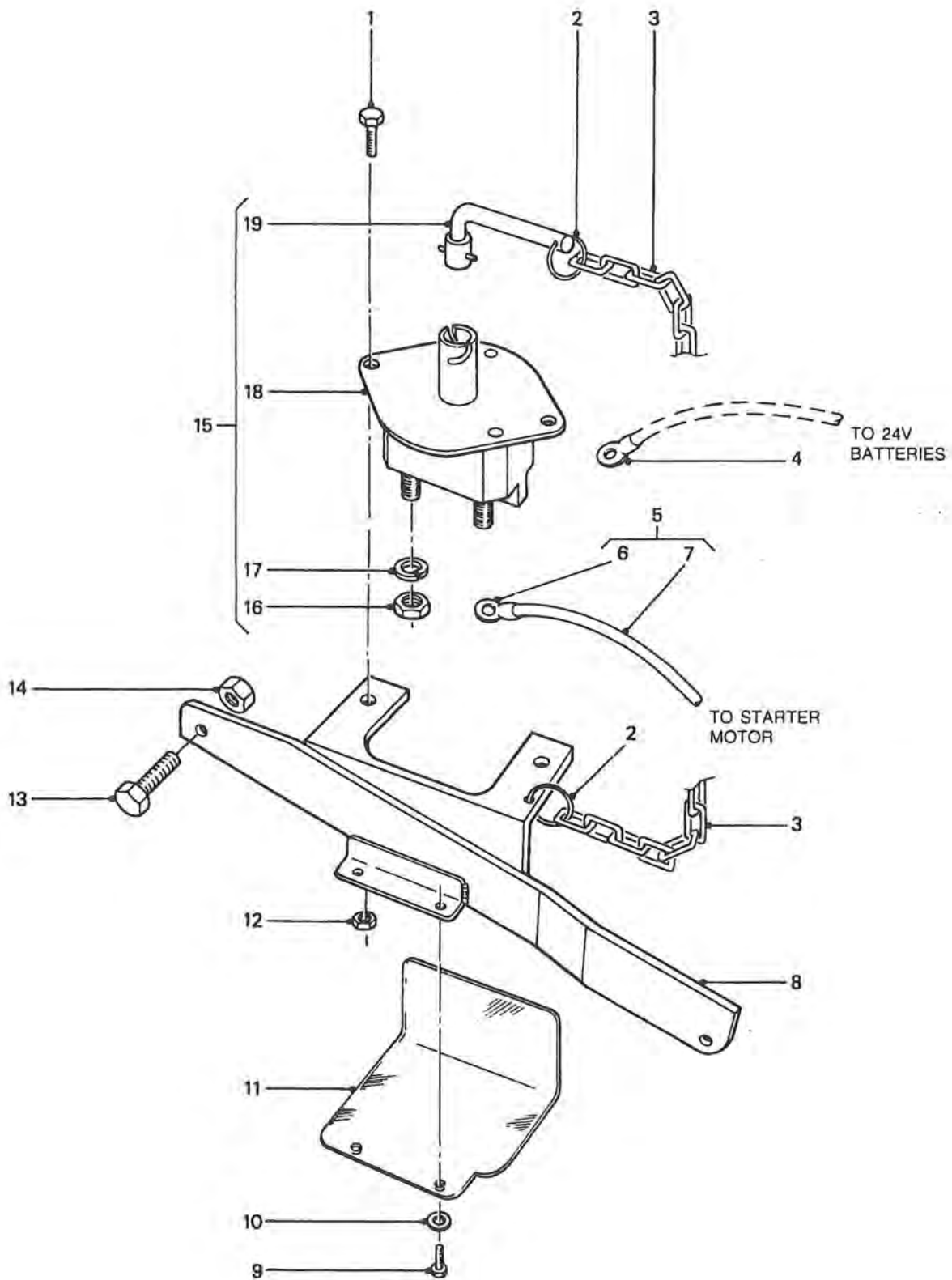
DERIVATIVE CODE

<u>ITEM</u>	<u>PART NO.</u>	<u>DESCRIPTION</u>	<u>NSN</u>	<u>2185</u>	<u>2186</u>	<u>2208</u>	<u>2209</u>	<u>2210</u>	<u>2211</u>	<u>2212</u>	<u>2219</u>	<u>CP</u>
26	HYM121	WASHER-BRASS										4
27	HYM122	SCREW-BRASS										2

CHANGE POINT

ARN INTRODUCTION

GROUP QBC



**BATTERY ISOLATION SWITCH AND CABLES
- GMV ONLY**

PERENTIE LAND ROVER PARTS LIST

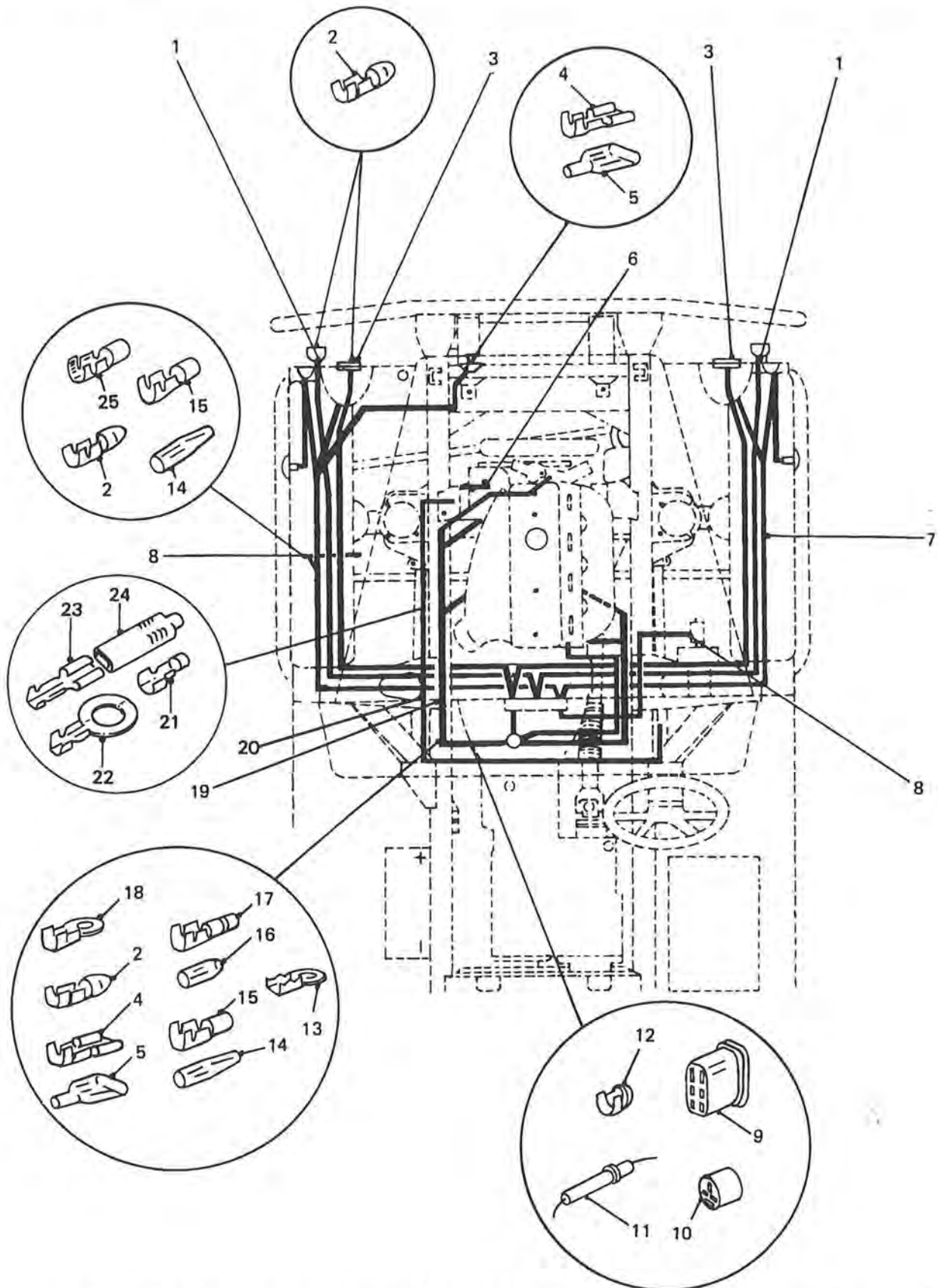
QBC /1/1 BATTERY ISOLATION SWITCH AND CABLES - GMV ONLY

ITEM	PART NO.	DESCRIPTION	NSN	DERIVATIVE CODE								
				2185	2186	2208	2209	2210	2211	2212	2219	CP
1	FS108201	SCREW	5305-99-122-5366									2
2	HYM404	RING-KEY										2
3	HYM405	CHAIN-SWITCH LEVER										1
4	HYM406	LUG-CABLE										1
5	HYM407	CABLE-BATTERY										1
6	HYM408	LUG-CABLE										1
	HYM409	LUG-CABLE										1
7	HYM407	CABLE-BATTERY										1
8	HYM411	BRACKET-SWITCH										1
9	SE106121L	SCREW	5305-99-122-5289									2
10	WM106001	WASHER-LOCK	5310-99-137-9232									2
11	HYM412	COVER-SWITCH										1
12	NY108001	NUT-NYLOC	5310-99-122-5496									2
13	SH110251L	SCREW	5305-99-122-4910									1
14	NY110041L	NUT-NYLOC	5310-99-122-5497									1
15	HYM413	SWITCH-ISOLATION (INCLUDES ITEMS 16-19)	5930-66-126-9691									1
16	NSS											
17	NSS											
18	NSS											
19	NSS											
	HYM410	CABLE ASSY-ISOLATION SWITCH TO 24V GENERATOR										1

CHANGE POINT

ARN INTRODUCTION

GROUP QC/1

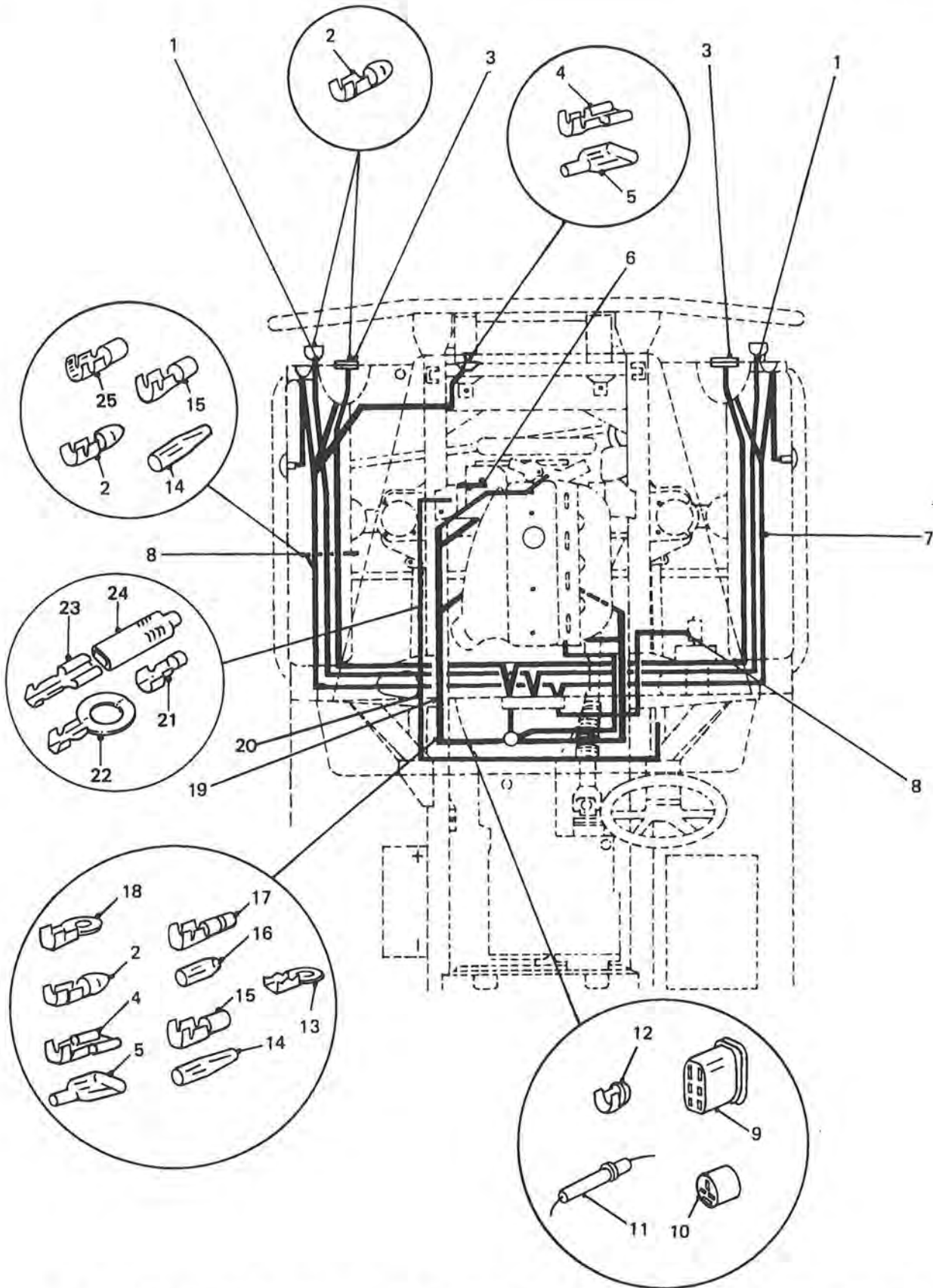


**FRONT WIRING HARNESSES AND FITTINGS
- EXCEPT LRPV**

PERENTIE LAND ROVER PARTS LIST

ITEM	PART NO.	DESCRIPTION	NSN	DERIVATIVE CODE								
				2185	2186	2208	2209	2210	2211	2212	2219	CP
1	AYG9762	HARNESS-FRONT MARKER LAMPS		1	1	1	1	1		1	1	
2	MYH2565	TERMINAL	5940-66-128-4737	7	7	7	7	7		7	7	
3	AYG9741	CABLE-BLACKOUT LIGHT EXTENSION-FRONT		2	2	2	2	2		2	2	
4	NSS											
5	NSS											
6	AYG9597	LEAD-ENGINE EARTH	5999-66-128-4899	1	1	1	1	1		1	1	
7		MAIN HARNESS (REFER GROUP QH)										
8	AYG9700	HARNESS-BRAKE PAD INDICATOR		1	1	1	1	1		1	1	
9	NSS											
10	NSS											
11	NSS											
12	NSS											
13	NSS											
14	NSS											
15	NSS											
16	NSS											
17	NSS											
18	NSS											
19	AYG9849	HARNESS-ENGINE (70 AMP ALT.)		1	1	1	1	1		1		
	BYG9114	HARNESS-ENGINE (70 AMP ALT.)		1	1	1	1	1		1	1	01
20	NSS											
20	BYG9031	HARNESS-24V/55A ALTERNATOR TO WARNING LIGHT MODULE & VOLTMETER					1	1				

GROUP QC/1



**FRONT WIRING HARNESSES AND FITTINGS
- EXCEPT LRPV**

PERENTIE LAND ROVER PARTS LIST

QC /1/1 FRONT WIRING HARNESSSES AND FITTINGS - EXCEPT LRPV

ITEM	PART NO.	DESCRIPTION	NSN	DERIVATIVE CODE							CP
				2185	2186	2208	2209	2210	2211	2212	
21	MYH2565	TERMINAL	5940-66-128-4737					2	2		
22	NSS										
23	NSS										
24	NSS										
25	NSS										
	WL105001L	WASHER-LOCK-ENGINE HARNESS CHARGE WIRE TO ALTERNATOR	5310-99-977-1102	1	1	1	1	1		1	1
	NH105041L	NUT	5310-66-098-4400	1	1	1	1	1		1	1
	C39377/1	STRAP-CABLE-ENGINE HARNESS		3	3	3	3	3		3	3
	AB608047	SCREW-CABLE STRAP		1	1	1	1	1		1	1
	WC105001L	WASHER-PLAIN	5310-99-122-3032	1	1	1	1	1		1	1
	SH106121L	SCREW-SIDE & H/LAMP EARTH WIRES TO WHEEL ARCH	5305-99-122-5359	2	2	2	2	2		2	2
	WL106001L	WASHER-LOCK	5310-99-137-9232	2	2	2	2	2		2	2
	NH106041L	NUT	5310-66-098-4401	2	2	2	2	2		2	2

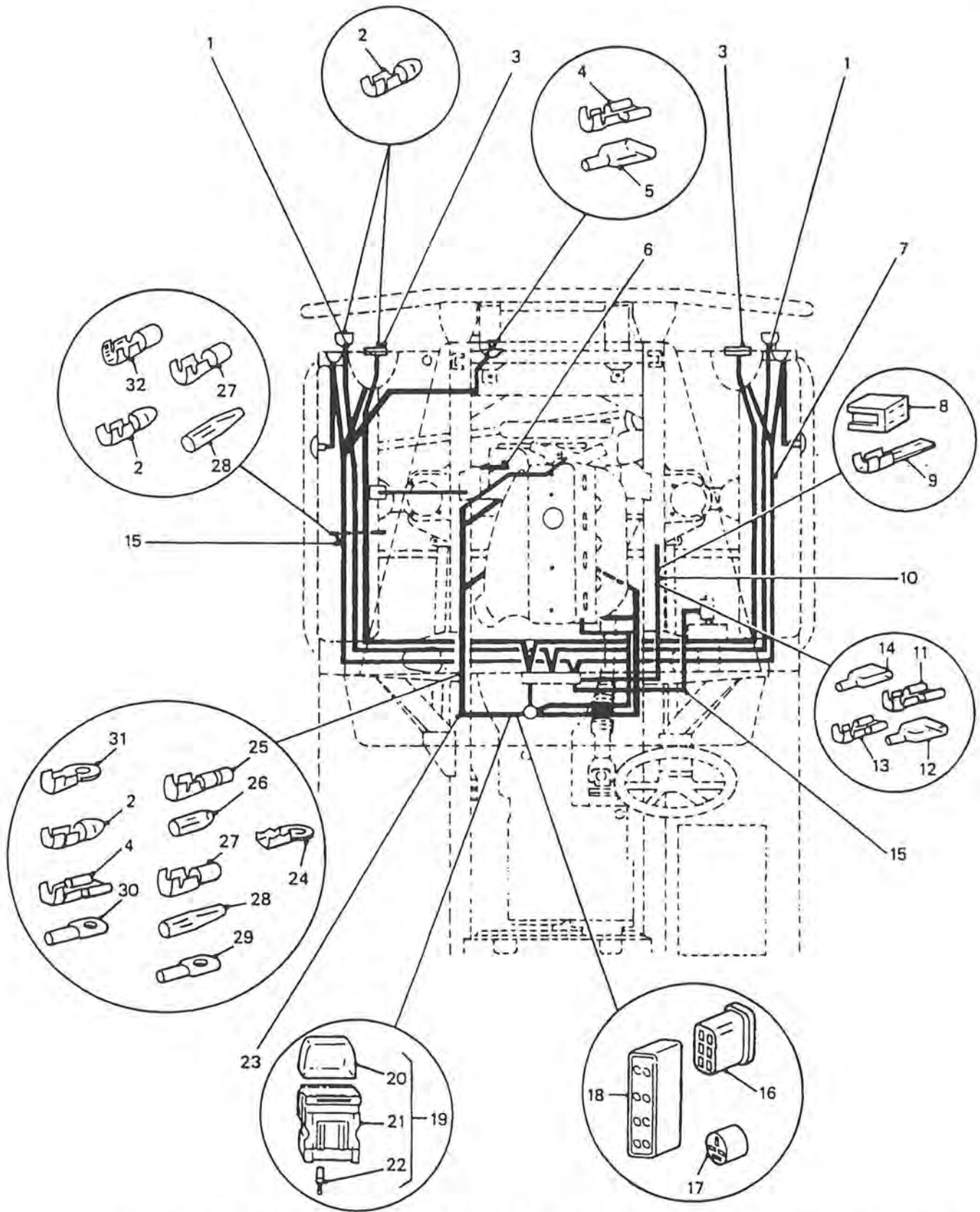
CHANGE POINT

1

ARN INTRODUCTION

50-842 MAINTENANCE ELECTRONIC REPAIR-BLADE TYPE FUSES

GROUP QC/2



**FRONT WIRING HARNESSES AND FITTINGS
- LRPV ONLY**

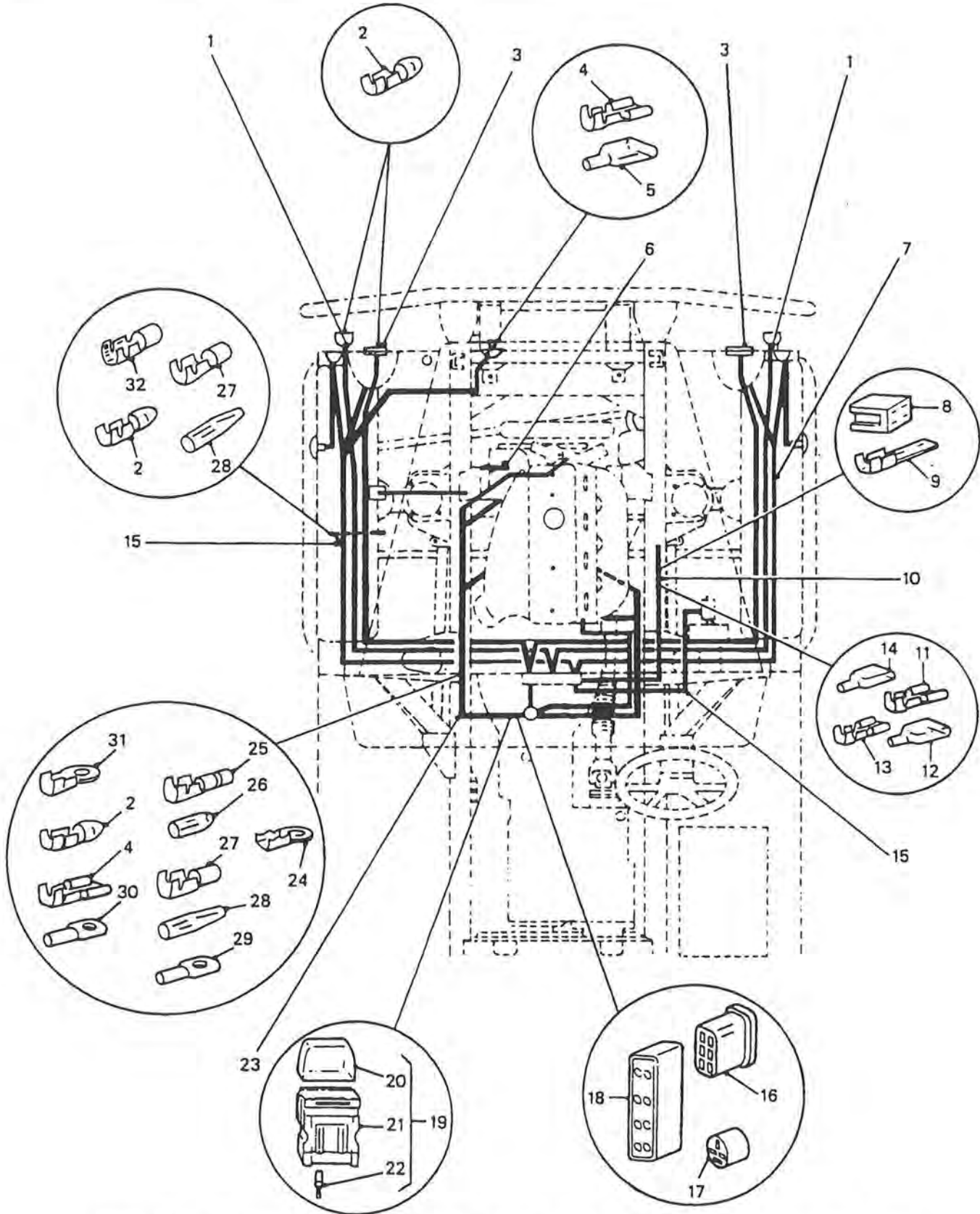
PERENTIE LAND ROVER PARTS LIST

QC /2/1

FRONT WIRING HARNESES AND FITTINGS - LRPV ONLY

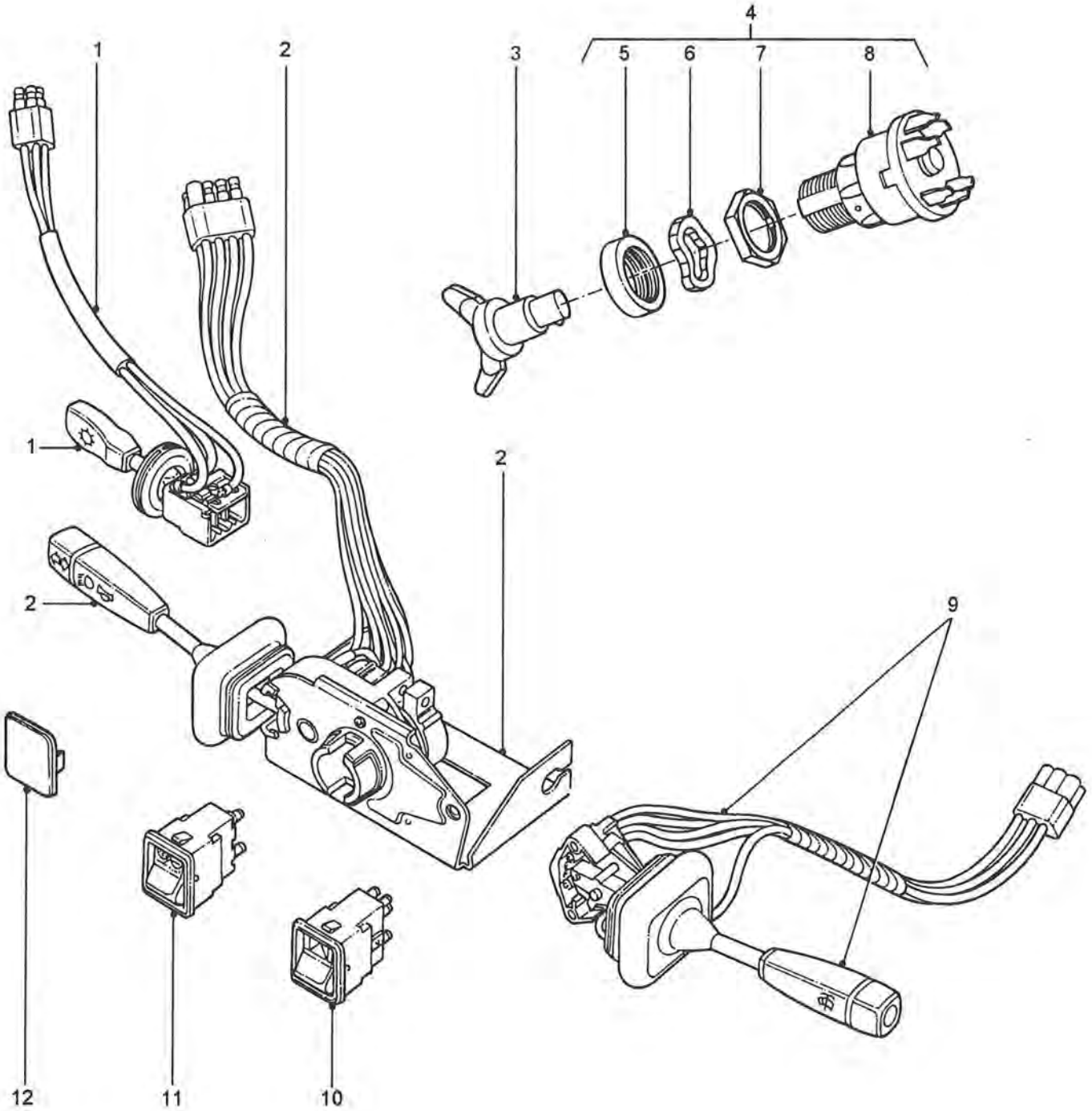
ITEM	PART NO.	DESCRIPTION	NSN	DERIVATIVE CODE								
				2185	2186	2208	2209	2210	2211	2212	2219	CP
1	AYG9762	HARNESS-FRONT MARKER LAMPS										1
2	MYH2565	TERMINAL	5940-66-128-4737									15
3	AYG9741	CABLE-BLACKOUT LIGHT EXTENSION-FRONT										2
4	NSS											
5	NSS											
6	AYG9597	LEAD-ENGINE EARTH	5999-66-128-4899									1
7	BYG9059	HARNESS-MAIN-LRPV										1
8	ISS											
9	NSS											
10	BYG9094	HARNESS-SPEED SENSOR TO TRIPMETER										1
	MYH3599	GROMMET-TRIPMETER HARNESS THRO' FACIA MOULDING										1
11	NSS											
12	NSS											
13	NSS											
14	NSS											
15	AYG9700	HARNESS-BRAKE PAD INDICATOR										1
16	NSS											
17	AYG9947	CONNECTOR-70AMP ALTERNATOR										1
18	NSS											
19	BYG9073	FUSEBOX-BLADE TYPE										1
20	NSS											
21	NSS											
22	NSS											

GROUP QC/2



**FRONT WIRING HARNESSES AND FITTINGS
- LRPV ONLY**

GROUP QD/1 SHEET 1



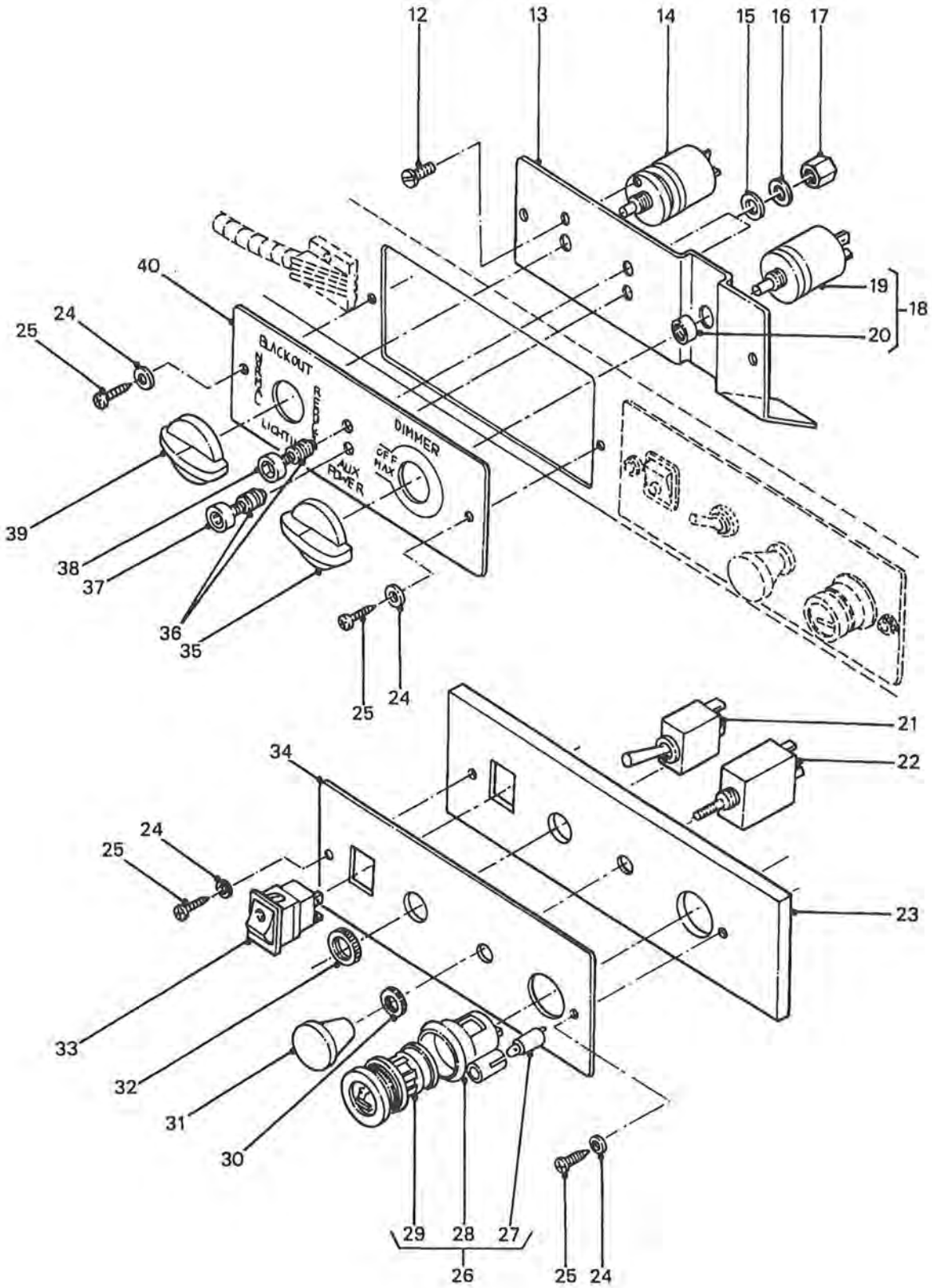
SWITCHES – CAB INTERIOR

PERENTIE LAND ROVER PARTS LIST

ITEM	QD /1/1 PART NO.	SWITCHES - CAB INTERIOR DESCRIPTION	NSN	DERIVATIVE CODE								CP
				2185	2186	2208	2209	2210	2211	2212	2219	
1	PRC3430	SWITCH-LIGHT	5930-99-797-8641	1	1	1	1	1	1	1	1	
2	PRC3875	SWITCH-INDICATOR, HORN & DIP	5930-99-797-8640	1	1	1	1	1	1			
	STC439	SWITCH-INDICATOR, HORN & DIP	5930-66-135-1416	1	1	1	1	1	1	1	1	01
3	RRC4774	KNOB-IGNITION SWITCH	5355-66-128-4953	1	1	1	1	1	1	1	1	
4	PRC2734	SWITCH-STARTER (INCLUDES ITEMS 5-8)	5930-99-797-8638	1	1	1	1	1	1	1	1	
5	NSS											
6	NSS											
7	NSS											
8	NSS											
9	PRC3900	SWITCH-WASH/WIPE	5930-99-797-8639	1	1	1	1	1	1			
	PRC7370	SWITCH-WASH/WIPE & DELAY	5930-66-135-1417	1	1	1	1	1	1	1	1	01
10	RRC4865	SWITCH-INTERIOR LIGHT	5930-66-128-4739	1	1	1	1	1			1	1
11	ASU1009	SWITCH-HAZARD	5930-99-768-4885	1	1	1	1	1	1	1	1	
12	AAM222	PLUG-BLANKING-SWITCH APETURES									2	

CH. RE POINT ARN INTRODUCTION
 1 51 - 870 AIR DEFENCE - RAPIER

GROUP QD/1 SHEET 2

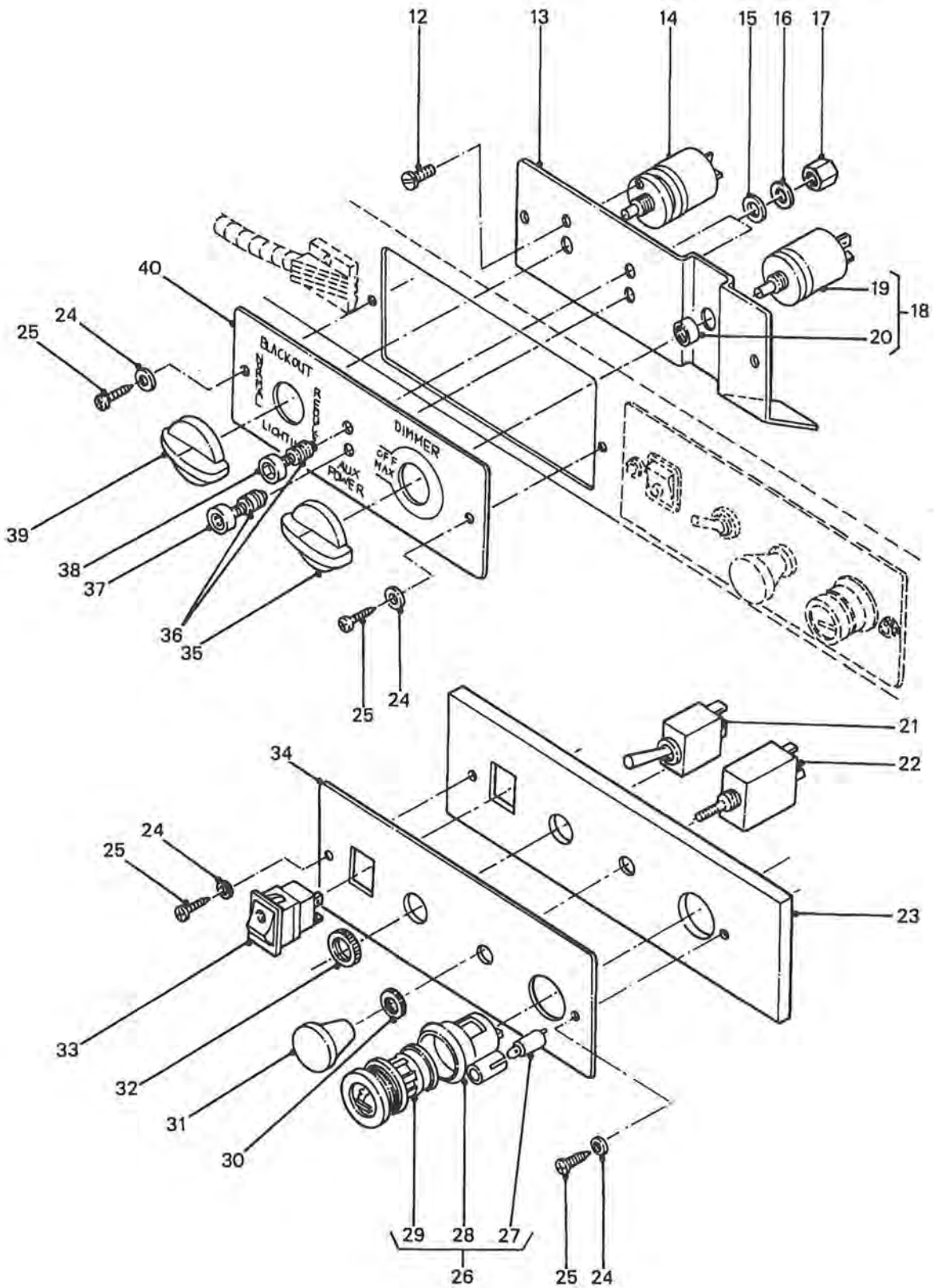


SWITCHES – CAB INTERIOR – CONTINUED

PERENTIE LAND ROVER PARTS LIST

ITEM	QD /1/2 PART NO.	DESCRIPTION	NSN	DERIVATIVE CODE								
				2185	2186	2208	2209	2210	2211	2212	2219 CP	
12	HYL8920	SCREW-SWITCH		2	2	2	2	2	2	2	2	
13	HYG2878	PLATE-SWITCH MOUNTING		1	1	1	1	1		1		
	HYG5958	PLATE-SWITCH MOUNTING		1	1	1	1	1		1	1	02
14	AYG9574	SWITCH-BLACKOUT - 3 <i>position</i>	5930-66-128-4740	1	1	1	1	1		1	1	
	BYG9052	SWITCH-BLACKOUT-LRPV - 4 <i>position</i> ONLY								1		
15	MYH3548	O RING-TERMINAL TO DASH		2	2	2	2	2	2	2	2	2
16	WF507L	WASHER-TERMINAL TO DASH		2	2	2	2	2	2	2	2	2
17	PRC2087	NUT-NYLON-TERMINAL TO DASH		2	2	2	2	2	2	2	2	2
18	BYG9330	KIT-DIMMER SWITCH-COMPRISES FOLLOWING ITEMS		1	1	1	1	1	1	1	1	1
	BYG9269	SWITCH-DIMMER	5905-12-185-4643	1	1	1	1	1	1	1	1	1
	BYG9270	KNOB-SWITCH	5355-12-178-0087	1	1	1	1	1	1	1	1	1
	BYG9271	NUT-SWITCH		1	1	1	1	1	1	1	1	1
	HYG6138	SPACER-SWITCH		1	1	1	1	1	1	1	1	1
19	BYG9269	SWITCH-DIMMER	5905-12-185-4643	1	1	1	1	1	1	1	1	1
20	BYG9271	NUT-SWITCH		1	1	1	1	1	1	1	1	1
21	AYG9682	SWITCH-FUEL CHANGE OVER	5930-66-128-5613	1	1	1	1	1		1	1	
	AYG9704	SWITCH-FUEL CHANGE OVER-LRPV ONLY	5930-66-128-6234							1		
22	BYG2049	VALVE-VACUUM CONTROL	4820-66-128-4493	1	1	1	1	1	1	1	1	1
23	HYG2944	PLATE-REINFORCEMENT		1	1	1	1	1	1	1	1	1
24	WL105004	WASHER-LOCK	5310-66-128-5784	4	4	4	4	4	4	4	4	4
25	SP105164	SCREW		4	4	4	4	4	4	4	4	4

GROUP QD/1 SHEET 2



SWITCHES - CAB INTERIOR - CONTINUED

PERENTIE LAND ROVER PARTS LIST

<u>ITEM</u>	<u>QD /1/2</u> <u>PART NO.</u>	<u>SWITCHES - CAB INTERIOR - CONTINUED</u> <u>DESCRIPTION</u>	<u>NSN</u>	<u>DERIVATIVE CODE</u>								
				<u>2185</u>	<u>2186</u>	<u>2208</u>	<u>2209</u>	<u>2210</u>	<u>2211</u>	<u>2212</u>	<u>2219</u>	<u>CP</u>
26	PRC9410	LIGHTER-CIGAR		1	1	1	1	1	1	1	1	1
27	RTC3635	GLOBE	6240-99-995-4499	1	1	1	1	1	1	1	1	1
28	NSS											
29	NSS											
30	HYG2134	NUT-RING	5310-66-128-4548	1	1	1	1	1	1	1	1	1
31	HYL8708	KNOB-VACUUM CONTROL VALVE	5355-66-128-4547	1	1	1	1	1	1	1	1	1
32	NSS											
33	AYG9955	SWITCH-HEATER FAN	5930-66-128-5614	1	1	1	1	1			1	1
34	HYG2859	PLATE-SWITCHES	9905-66-128-5825	1	1	1	1	1			1	1
	HYG5705	PLATE-SWITCHES-LRPV ONLY	9905-66-128-6342							1		
35	BYG9270	KNOB-SWITCH	5355-12-178-0087	1	1	1	1	1	1	1	1	1
36	PRC2078	SOCKET-INSPECTION	5935-99-797-3844	2	2	2	2	2	2	2	2	2
37	PRC2080	BUSH-INSULATION-BLACK		1	1	1	1	1	1	1	1	1
38	PRC2079	BUSH-INSULATION-RED		1	1	1	1	1	1	1	1	1
39	HYL8669	KNOB-BLACKOUT SWITCH	5355-66-128-4956	1	1	1	1	1	1	1	1	1
40	HYG3294	PLATE-SWITCHES	9905-66-128-5824	1	1	1	1	1			1	1
	HYG4061	PLATE-SWITCHES-LRPV ONLY	9905-66-128-6341							1		

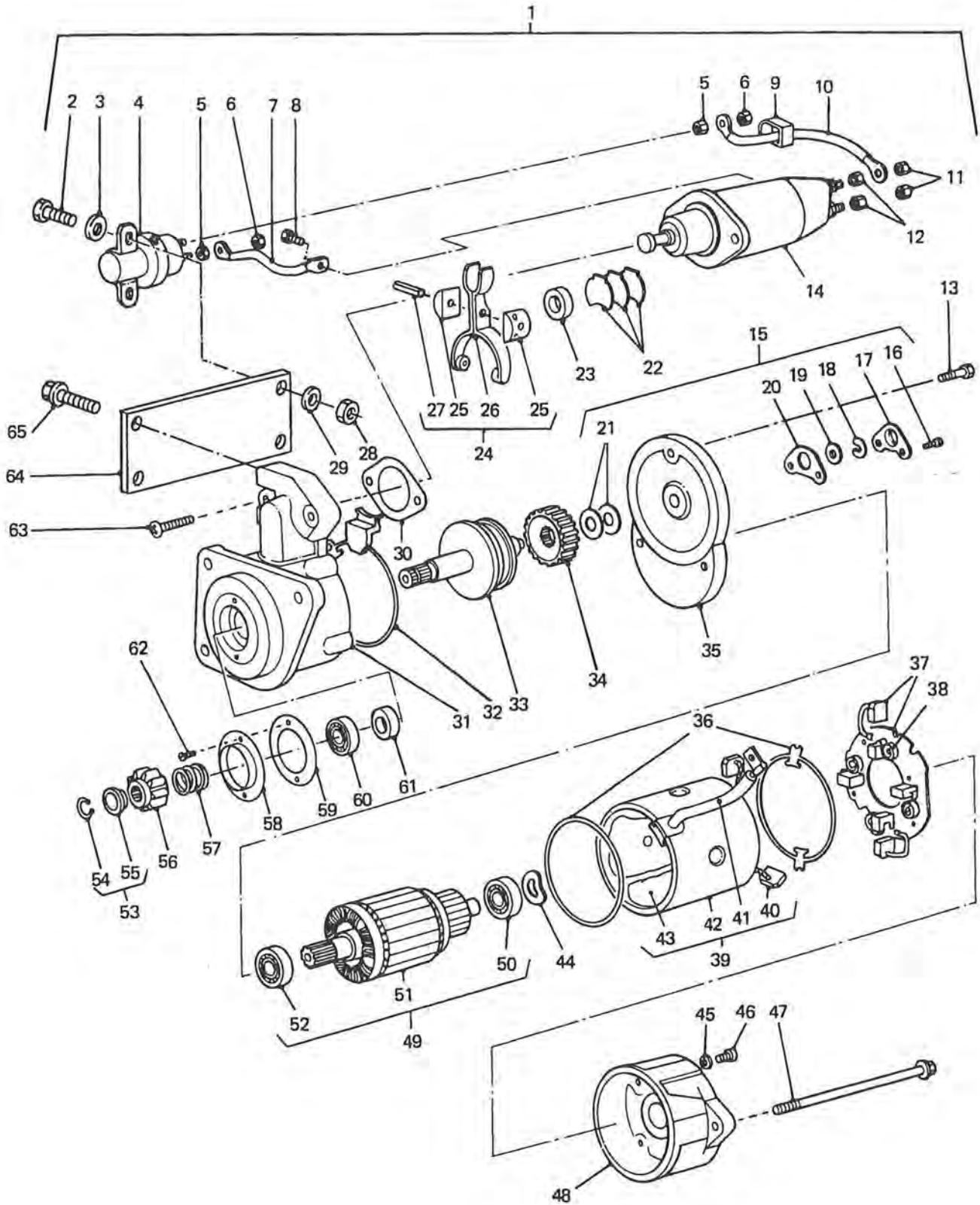
CI GE POINT

2

ARN INTRODUCTION

51 - 870 AIR DEFENCE - RAPIER

GROUP QF

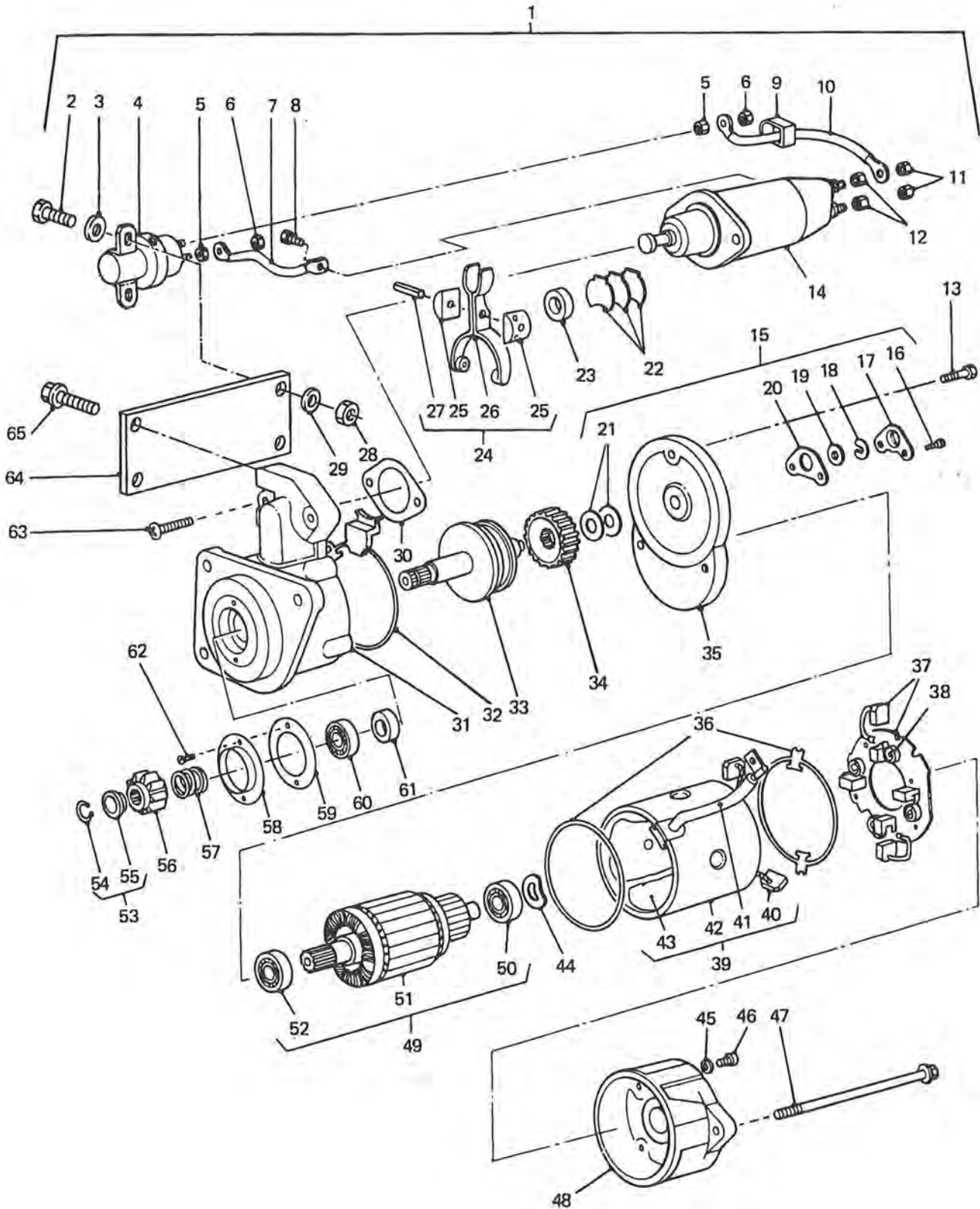


STARTER MOTOR AND SOLENOID ASSEMBLY

PERENTIE LAND ROVER PARTS LIST

ITEM	QF /1/1 PART NO.	STARTER MOTOR AND SOLENOID ASSEMBLY DESCRIPTION	NSN	DERIVATIVE CODE							
				2185	2186	2208	2209	2210	2211	2212	2219 CP
1	8944634730	STARTER MOTOR	2920-66-128-4625	1	1	1	1	1	1	1	1
2	FS106161	SCREW	5305-99-122-5360	2	2	2	2	2	2	2	2
3	WA106041L	WASHER-PLAIN	5310-66-098-4440	2	2	2	2	2	2	2	2
4	8944757020	RELAY	5945-66-128-4626	1	1	1	1	1	1	1	1
5	NH106041L	NUT	5310-66-098-4401	2	2	2	2	2	2	2	2
6	NY106041L	NUT-NYLOC	5310-99-138-8423	2	2	2	2	2	2	2	2
7	NSS										
8	NSS										
9	NSS										
10	NSS										
11	NY108041L	NUT-NYLOC	5310-99-122-5496	2	2	2	2	2	2	2	2
12	FN108041	NUT	5310-99-499-8033	2	2	2	2	2	2	2	2
13	NSS										
14	8944756970	RELAY-SOLENOID	2920-66-128-4627	1	1	1	1	1	1	1	1
15	8944756890	PARTS KIT-STARTER	2920-66-128-4628	1	1	1	1	1	1	1	1
16	NSS										
17	NSS										
18	NSS										
19	NSS										
20	NSS										
21	NSS										
22	NSS										
23	NSS										
24	8944756960	LEVER ASSY (INCLUDES ITEMS 25-27)		1	1	1	1	1	1	1	1
25	NSS										
26	NSS										
27	NSS										
28	NH106041L	NUT	5310-66-098-4401	2	2	2	2	2	2	2	2

GROUP QF

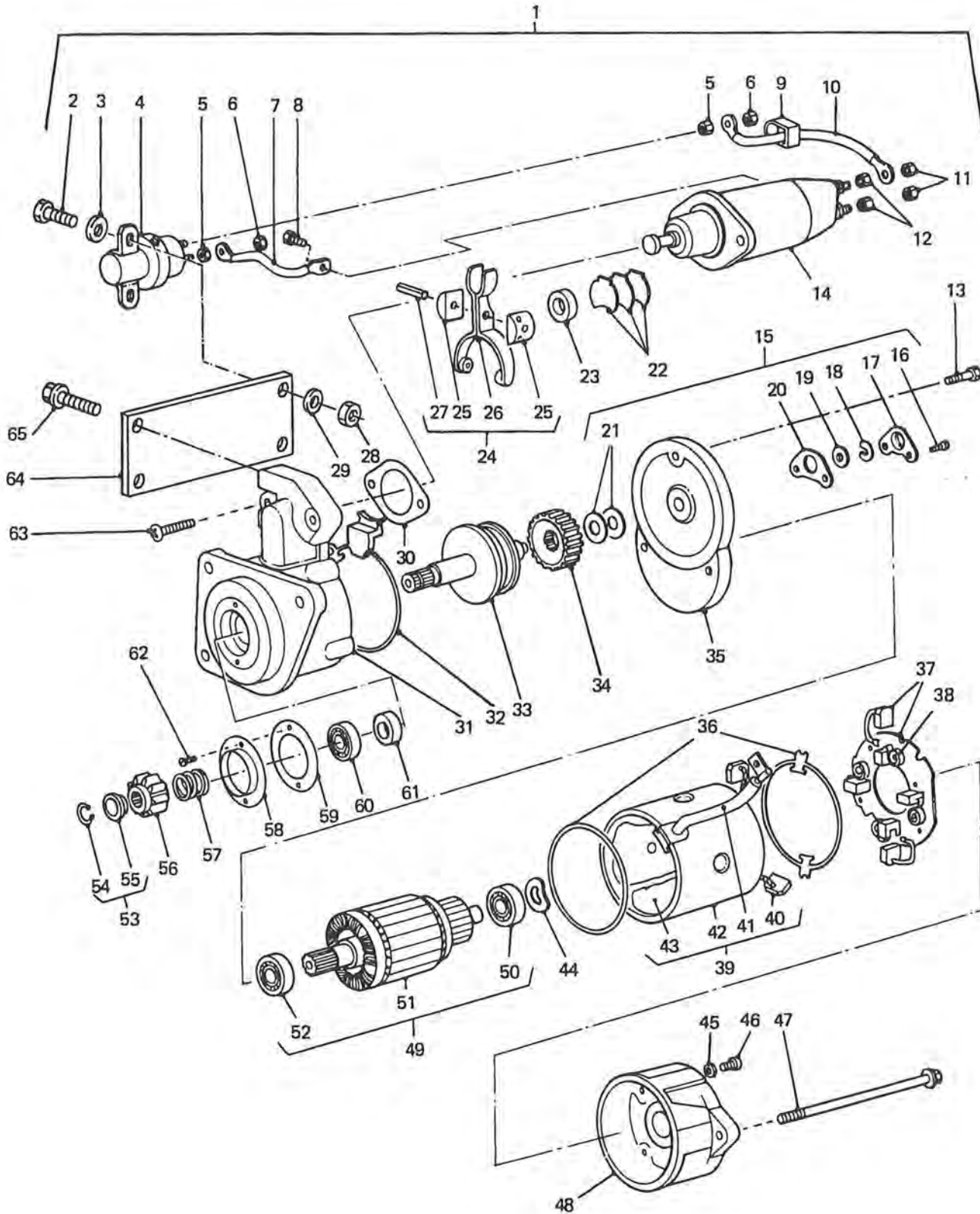


STARTER MOTOR AND SOLENOID ASSEMBLY

PERENTIE LAND ROVER PARTS LIST

ITEM	QF /1/1 PART NO.	STARTER MOTOR AND SOLENOID ASSEMBLY DESCRIPTION	NSN	DERIVATIVE CODE							
				2185	2186	2208	2209	2210	2211	2212	2219
29	WL106001L	WASHER-LOCK	5310-99-137-9232	2	2	2	2	2	2	2	2
30	NSS										
31	8970387360	HOUSING		1	1	1	1	1	1	1	1
32	8970387380	SEAL		1	1	1	1	1	1	1	1
33	8944756860	CLUTCH ASSY		1	1	1	1	1	1	1	1
34	8944756870	GEAR-CLUTCH		1	1	1	1	1	1	1	1
35	8970387370	COVER		1	1	1	1	1	1	1	1
36	8944756990	GASKET SET	5330-66-128-4559	2	2	2	2	2	2	2	2
37	8944756910	HOLDER-BRUSHES	5977-66-128-4811	1	1	1	1	1	1	1	1
38	8944756920	SPRING-BRUSH		4	4	4	4	4	4	4	4
39	8944756900	HOUSING ASSY	2920-66-128-4639	1	1	1	1	1	1	1	1
40	NSS										
41	NSS										
42	NSS										
43	NSS										
44	SP1956	WASHER		1	1	1	1	1	1	1	1
45	8944757000	WASHER-RUBBER		4	4	4	4	4	4	4	4
46	NSS										
47	8944756980	SCREW		2	2	2	2	2	2	2	2
48	8944756930	COVER-END		1	1	1	1	1	1	1	1
49	8944756830	ARMATURE (INCLUDES ITEMS 50-52)	2920-66-128-4640	1	1	1	1	1	1	1	1
50	8944756850	BEARING-BALL-REAR	3110-66-128-4641	1	1	1	1	1	1	1	1
51	NSS										
52	8944756840	BEARING-BALL-FRONT	3110-66-128-4642	1	1	1	1	1	1	1	1
53	8944756880	COLLAR ASSY (INCLUDES ITEMS 54 AND 55)	2920-66-128-4644	1	1	1	1	1	1	1	1
54	NSS										
55	NSS										
56	NSS										

GROUP QF



STARTER MOTOR AND SOLENOID ASSEMBLY

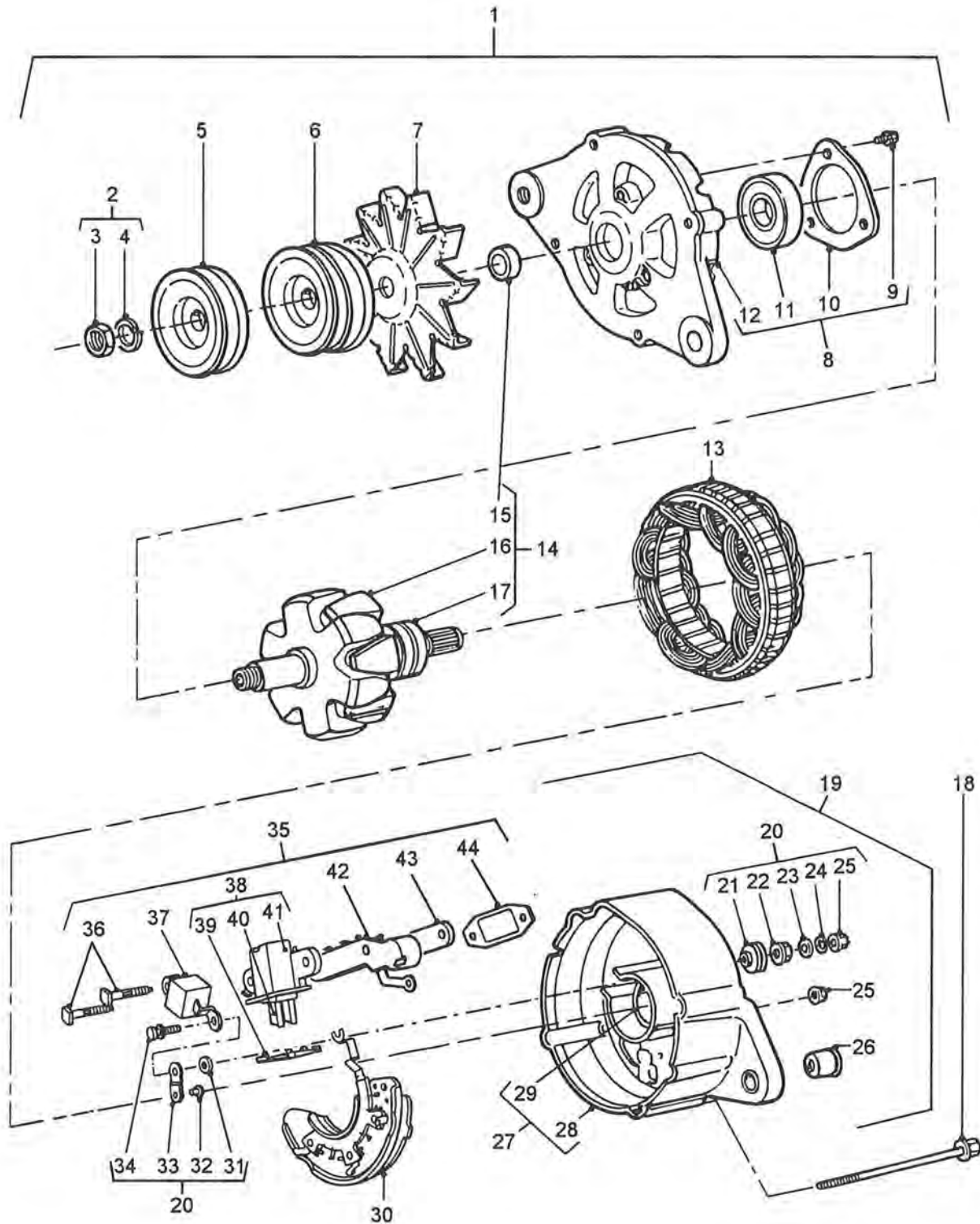
PERENTIE LAND ROVER PARTS LIST

<u>ITEM</u>	<u>QF /1/1</u> <u>PART NO.</u>	<u>STARTER MOTOR AND SOLENOID ASSEMBLY</u> <u>DESCRIPTION</u>	<u>NSN</u>	<u>DERIVATIVE CODE</u>							
				<u>2185</u>	<u>2186</u>	<u>2208</u>	<u>2209</u>	<u>2210</u>	<u>2211</u>	<u>2212</u>	<u>2219 CP</u>
57	8970387350	SPRING		1	1	1	1	1	1	1	1
58	8944756950	COVER		1	1	1	1	1	1	1	1
59	8944756940	PLATE		1	1	1	1	1	1	1	1
60	6204V144	BEARING AND BUSH ASSY (INCLUDES BUSH MYH3697)	3110-66-128-4646	1	1	1	1	1	1	1	1
61	PR3290	SEAL-STARTER	5330-66-128-5928	1	1	1	1	1	1	1	1
62	NSS										
63	NSS										
64	AYG458	BRACKET-RELAY MOUNTING		1	1	1	1	1	1	1	1
65	NSS	USE 8944757010 SCREW SET									
	8944757010	SET-SCREWS (INCLUDES ITEMS 8, 13, 46, 62, 63, 65)	5305-66-128-4561	1	1	1	1	1	1	1	1

CHANGE POINT

ARN INTRODUCTION

GROUP QG/1 SHEET 1

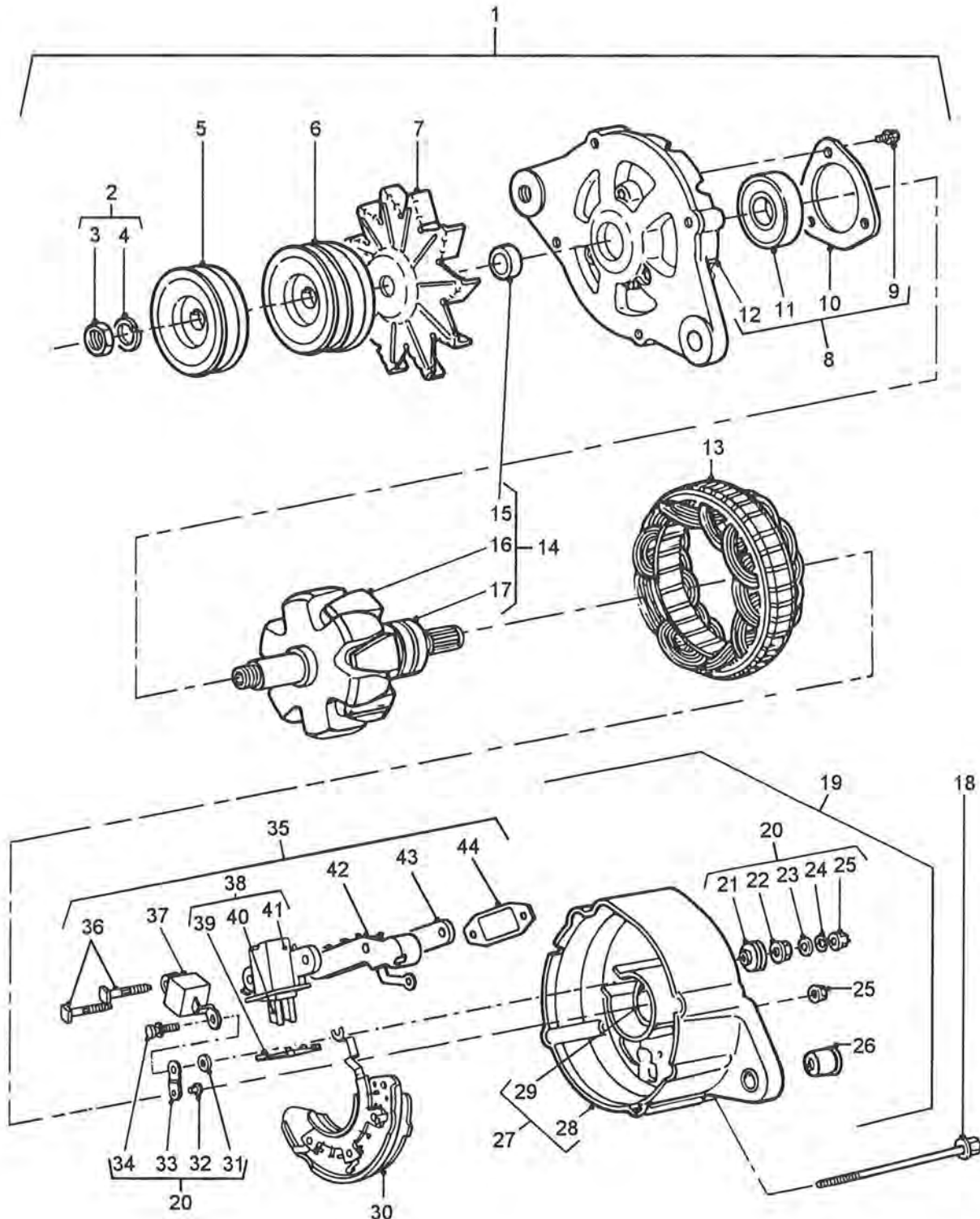


**ALTERNATOR – 12 VOLT, 70 AMP
AND VACUUM PUMP ASSEMBLY**

PERENTIE LAND ROVER PARTS LIST

ITEM	PART NO.	DESCRIPTION	NSN	ALTERNATOR - 12 VOLT, 70 AMP AND VACUUM PUMP ASSEMBLY								
				DERIVATIVE CODE								
				2185	2186	2208	2209	2210	2211	2212	2219	CP
1	8941754481	ALTERNATOR-12V AND VACUUM PUMP ASSY.	2920-66-128-4658	1	1	1	1	1	1	1	1	1
2	8941566010	NUT-PULLEY (INCLUDES ITEMS 3 AND 4)	5310-66-128-4560	1	1	1	1	1	1	1	1	1
3	NSS											
4	NSS											
5	8944103980	PULLEY-SINGLE GROOVE-12V, 70A ALT.	3020-66-128-4659	1	1	1		1				
6	MYH3508	PULLEY-TWIN GROOVE-12V, 70A ALT. & TYRE PUMP COMP.	3020-66-128-5956				1		1	1	1	1
7	8944150150	FAN-ALTERNATOR	2920-66-128-5957	1	1	1	1	1	1	1	1	1
8	8941164330	COVER & BEARING ASSY-FRONT	2920-66-128-4662	1	1	1	1	1	1	1	1	1
9	NSS											
10	8942239740	RETAINER-BEARING		1	1	1	1	1	1	1	1	1
11	8942239790	BEARING-FRONT	3110-66-128-4666	1	1	1	1	1	1	1	1	1
12	NSS											
13	8944103940	STATOR	2920-66-128-4673	1	1	1	1	1	1	1	1	1
14	8944103930	ROTOR & REAR BEARING ASSY	6115-66-128-4675	1	1	1	1	1	1	1	1	1
15	NSS											
16	NSS											
17	8941211780	BEARING-REAR	3110-66-128-4678	1	1	1	1	1	1	1	1	1
18	8941164350	BOLT-THROUGH		4	4	4	4	4	4	4	4	4
19	8943810200	COVER ASSY-COMPLETE-REAR	2920-66-128-4689	1	1	1	1	1	1	1	1	1
20	8941565970	TERMINAL BOLT ASSY	2920-66-128-4963	1	1	1	1	1	1	1	1	1
21	NSS											
22	NSS											

GROUP QG/1 SHEET 1



**ALTERNATOR – 12 VOLT, 70 AMP
AND VACUUM PUMP ASSEMBLY**

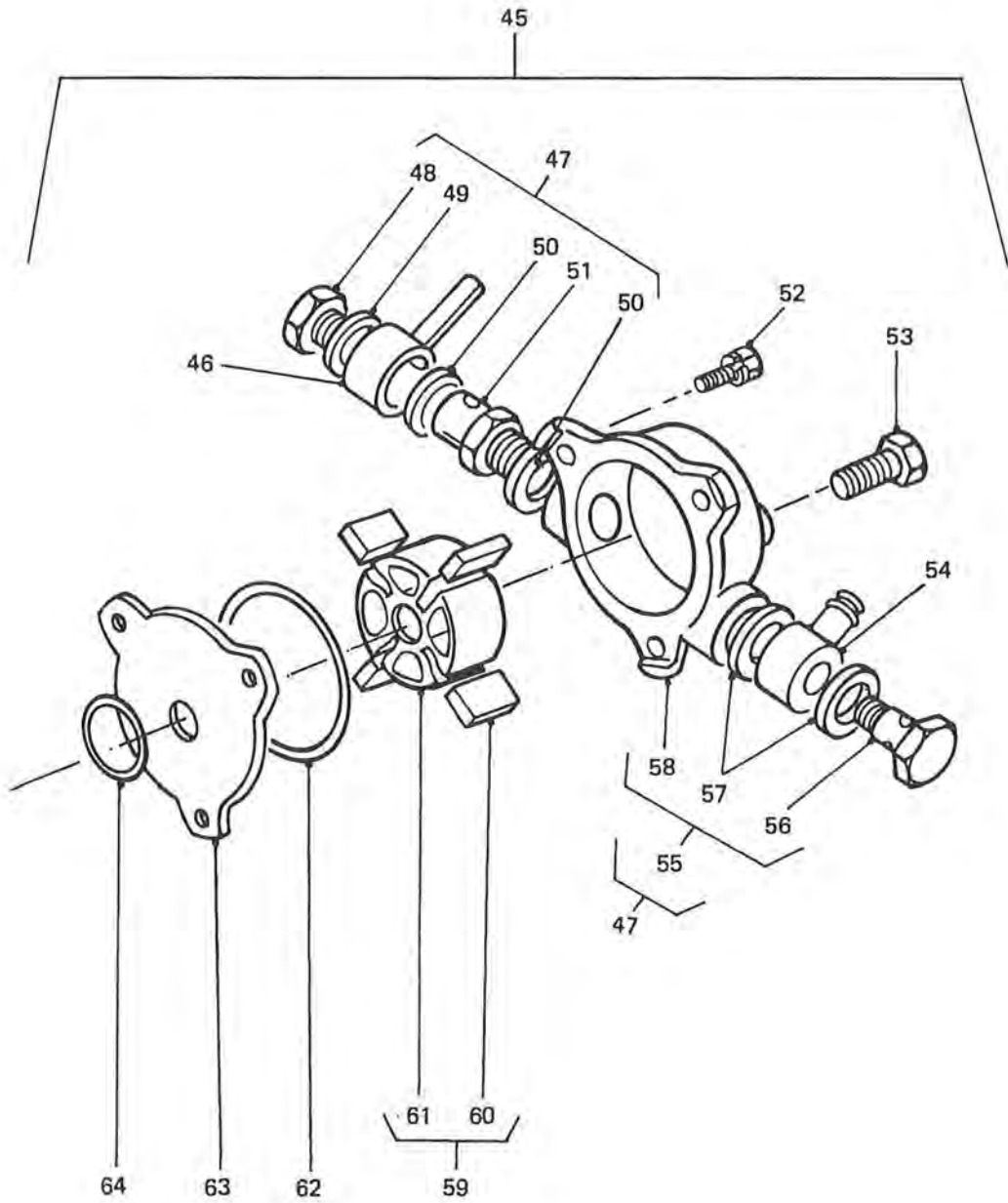
PERENTIE LAND ROVER PARTS LIST

ITEM	PART NO.	DESCRIPTION	NSN	DERIVATIVE CODE									
				2185	2186	2208	2209	2210	2211	2212	2219	CP	
23	NSS												
24	NSS												
25	NSS	PART OF SCREW KIT 8941566030											
26	NSS												
27	8944103960	COVER ASSY-REAR		1	1	1	1	1	1	1	1	1	1
28	NSS												
29	8941565890	SEAL-OIL	5330-66-128-4562	1	1	1	1	1	1	1	1	1	1
30	8944103970	RECTIFIER ASSY	5961-66-128-4929	1	1	1	1	1	1	1	1	1	1
31	NSS												
32	8941565980	RIVET		1	1	1	1	1	1	1	1	1	1
33	NSS												
34	NSS												
35	8941674100	REGULATOR AND BRUSH ASSY		1	1	1	1	1	1	1	1	1	1
36	NSS	PART OF SCREW KIT 8941566030											
37	8941565940	CONDENSER	5910-66-128-5958	1	1	1	1	1	1	1	1	1	1
38	8941565920	BRUSH HOLDER ASSY	5977-66-128-4813	1	1	1	1	1	1	1	1	1	1
39	NSS												
40	8941565930	BRUSH		2	2	2	2	2	2	2	2	2	2
41	NSS												
42	8942377270	DIODE		1	1	1	1	1	1	1	1	1	1
43	8941565910	TERMINAL BLOCK	5961-66-128-4930	1	1	1	1	1	1	1	1	1	1
44	8942509640	REGULATOR	2920-66-128-4692	1	1	1	1	1	1	1	1	1	1
	8944707700	CONNECTOR-ALTERNATOR		1	1	1	1	1	1	1	1	1	1
	8941566030	KIT-SCREWS-ALTERNATOR AND VACUUM PUMP		1	1	1	1	1	1	1	1	1	1

CHANGE POINT

ARN INTRODUCTION

GROUP QG/1 SHEET 2



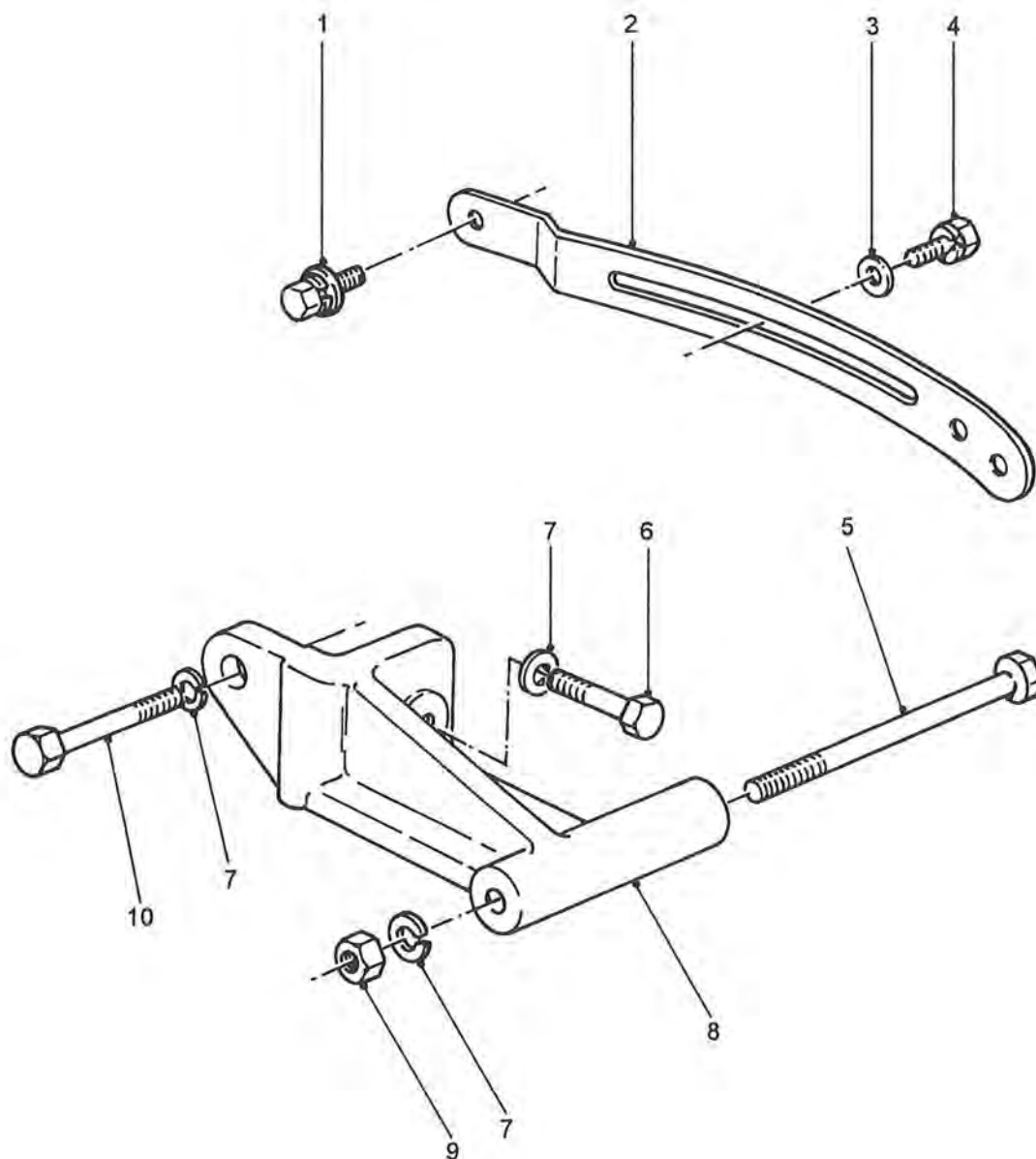
VACUUM PUMP ASSEMBLY

PERENTIE LAND ROVER PARTS LIST

<u>ITEM</u>	<u>QG /1/2</u>	<u>VACUUM PUMP ASSEMBLY</u>	<u>DESCRIPTION</u>	<u>NSN</u>	<u>DERIVATIVE CODE</u>								
					<u>2185</u>	<u>2186</u>	<u>2208</u>	<u>2209</u>	<u>2210</u>	<u>2211</u>	<u>2212</u>	<u>2219</u>	<u>CP</u>
45	8944103990		PUMP ASSY-VACUUM (ALSO PART OF QG/1/1, ITEM 1)	4310-66-128-4694	1	1	1	1	1	1	1	1	1
46	5196190330		CONNECTOR-SUCTION		1	1	1	1	1	1	1	1	1
47	8942239910		VALVE ASSY	4820-66-128-4695	1	1	1	1	1	1	1	1	1
48	NSS												
49	8942239930		PACKING	5330-66-128-4563	1	1	1	1	1	1	1	1	1
50	8942239920		PACKING	5330-66-128-4566	2	2	2	2	2	2	2	2	2
51	NSS												
52	8941566030		KIT-SCREWS-ALTERNATOR AND VACUUM PUMP		1	1	1	1	1	1	1	1	1
53	8942239890		BOLT-BANJO	4730-66-128-5282	1	1	1	1	1	1	1	1	1
54	8941566400		CONNECTOR-DELIVERY	4710-66-128-5000	1	1	1	1	1	1	1	1	1
55	8944674240		HOUSING ASSY		1	1	1	1	1	1	1	1	1
56	5196190310		BOLT-BANJO	4730-66-128-5287	1	1	1	1	1	1	1	1	1
57	5196790042		SEAL-BANJO BOLT	5330-66-128-4567	2	2	2	2	2	2	2	2	2
58	NSS												
59	8941566050		ROTOR	4320-66-128-4706	1	1	1	1	1	1	1	1	1
60	8942239850		VANE		4	4	4	4	4	4	4	4	4
61	NSS												
62	8942239940		O.RING	5330-66-128-4568	1	1	1	1	1	1	1	1	1
63	941566060		PLATE-CENTRE		1	1	1	1	1	1	1	1	1
64	8941566080		O RING	5330-66-128-4569	1	1	1	1	1	1	1	1	1

CHANGE POINT

ARN INTRODUCTION

GROUP QGA

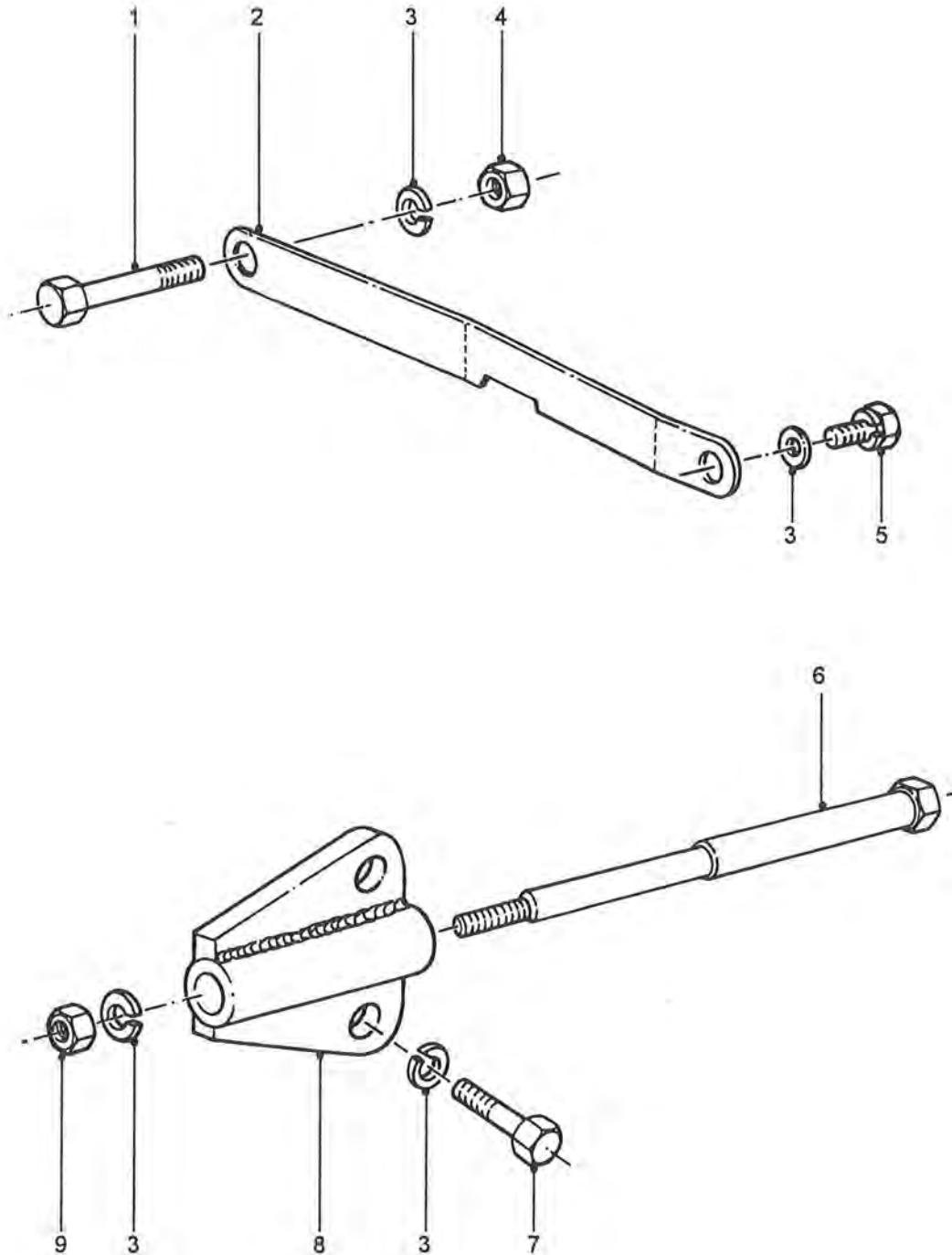
**ALTERNATOR MOUNTINGS – 12 VOLT, 70 AMP
– ALL VARIANTS**

PERENTIE LAND ROVER PARTS LIST

ITEM	PART NO.	DESCRIPTION	NSN	DERIVATIVE CODE								
				2185	2186	2208	2209	2210	2211	2212	2219	CP
1	9019910400	BOLT-ENGINE	5306-66-128-5330	1	1	1	1	1	1	1	1	1
2	8941578361	PLATE-ADJUSTING	2920-66-128-4713	1	1	1	1	1	1	1	1	1
3	9091647080	WASHER	5310-66-128-4570	1	1	1	1	1	1	1	1	1
4	9019108300	BOLT-MOUNTING	5306-66-128-4571	1	1	1	1	1	1	1	1	1
5	BH110241L	BOLT	5306-99-122-8373	1	1	1	1	1	1	1	1	1
	BH110251	BOLT					1	1				
6	SH210251	SCREW	5305-66-128-5318	2	2	2	2	2	2	2	2	2
7	WL110001L	WASHER-LOCK	5310-99-138-9228	4	4	4	4	4	4	4	4	4
8	AYG427	BRACKET-MOUNTING	5340-66-128-5242	1	1	1	1	1	1	1	1	1
9	FN110041	NUT	5310-66-098-4403	1	1	1	1	1	1	1	1	1
10	BH210081	BOLT	5306-66-128-5331	1	1	1	1	1	1	1	1	1
	SH214251	SCREW-REDUNDANT ALTERNATOR OIL FEED HOLE	5305-66-128-5276	1	1	1	1	1	1	1	1	1
	AYG33	WASHER-COPPER-REDUNDANT ALTERNATOR OIL FEED HOLE		1	1	1	1	1	1	1	1	1

CHANGE POINT

ARN INTRODUCTION

GROUP QGB/1

**ALTERNATOR MOUNTINGS – 24 VOLT, 55 AMP
– GMV AND ERV**

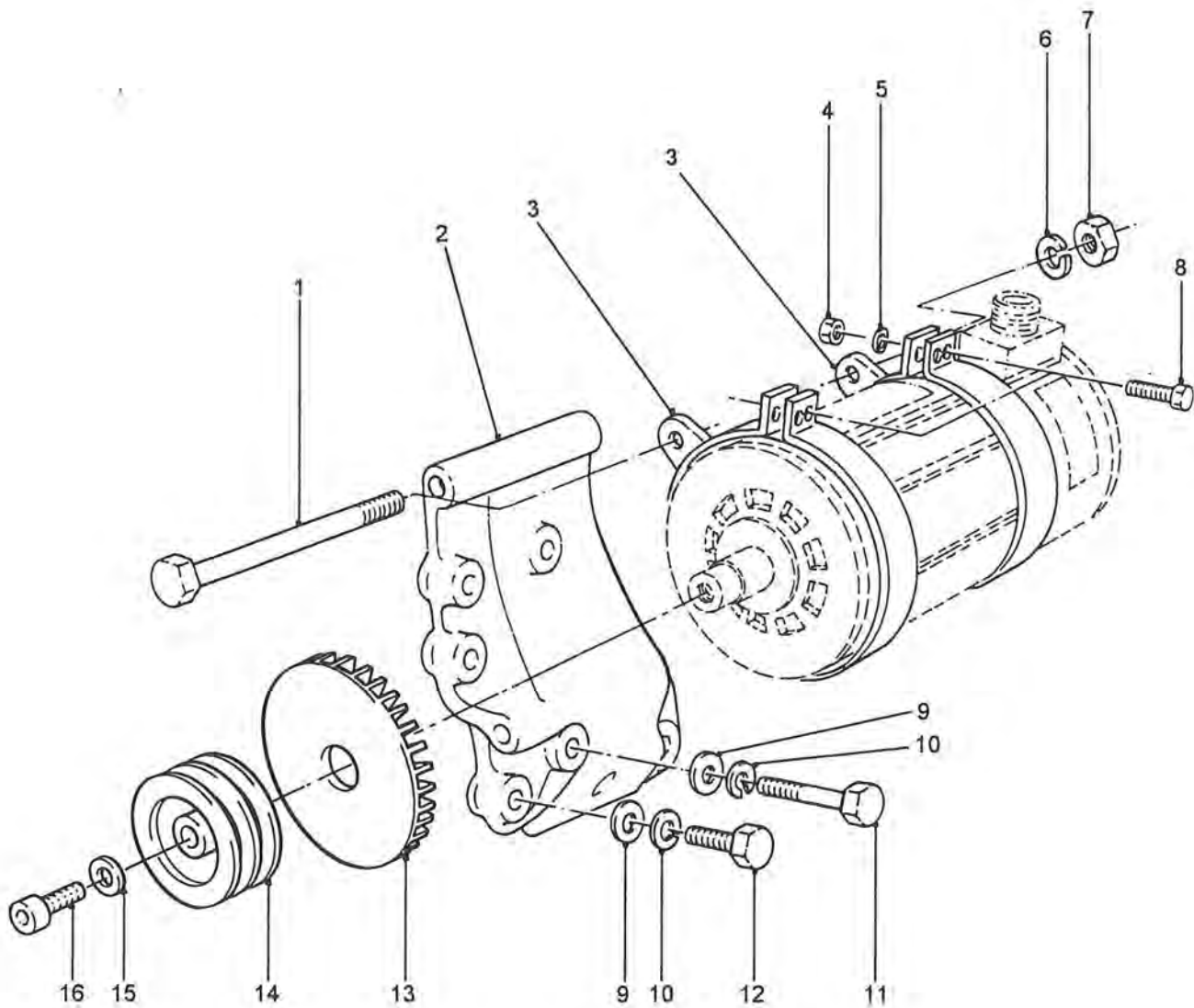
PERENTIE LAND ROVER PARTS LIST

QGB /1/1 ALTERNATOR MOUNTINGS - 24 VOLT, 55 AMP - GMV & ERV

ITEM	PART NO.	DESCRIPTION	NSN	DERIVATIVE CODE								
				2185	2186	2208	2209	2210	2211	2212	2219	CP
1	BH110251	BOLT						1	1			
2	AYG508	LINK-ALTERNATOR						1	1			
3	WL110001L	WASHER-LOCK	5310-99-138-9228					5	5			
4	FN110041	NUT	5310-66-098-4403					1	1			
5	SH210201	SCREW						1	1			
6	AYG509	BOLT-ALTERNATOR						1	1			
7	SH210251	SCREW	5305-66-128-5318					2	2			
8	AYG507	BRACKET-MOUNTING-ALTERNATOR						1	1			
9	NT210041	NUT						1	1			

CHANGE POINT

ARN INTRODUCTION

GROUP QGB/2

**GENERATOR MOUNTINGS – 28 VOLT D.C. – FFR
– AMBULANCE AND AIR DEFENCE**

PERENTIE LAND ROVER PARTS LIST

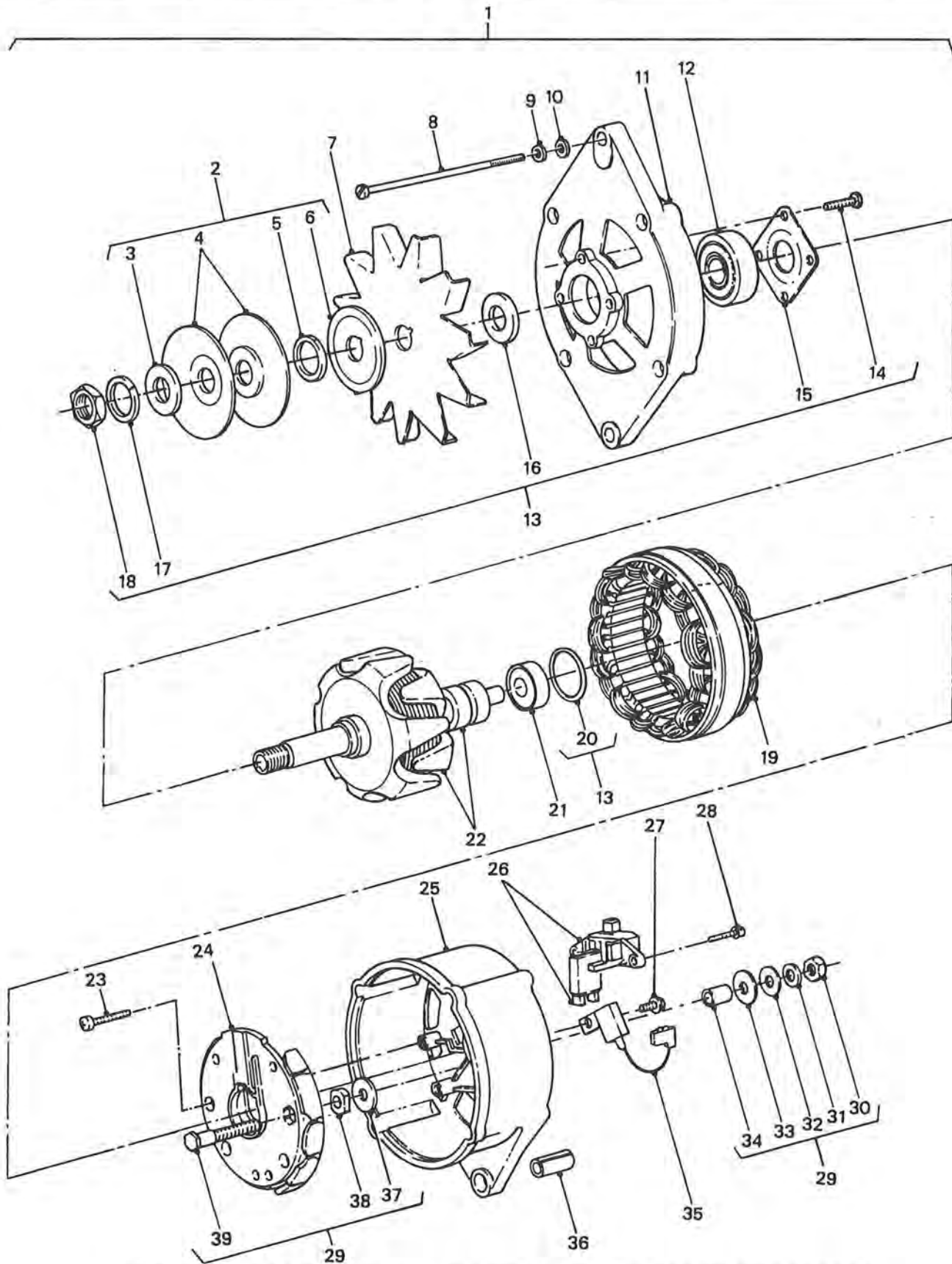
**QGB /2/1 GENERATOR MOUNTINGS - 28 VOLT D.C., 100 AMP - AMBULANCE & AIR DEFENCE
DERIVATIVE CODE**

<u>ITEM</u>	<u>PART NO.</u>	<u>DESCRIPTION</u>	<u>NSN</u>	<u>2185</u>	<u>2186</u>	<u>2208</u>	<u>2209</u>	<u>2210</u>	<u>2211</u>	<u>2212</u>	<u>2219</u>	<u>CP</u>
1	BH112321	BOLT-LONG	5306-66-128-5292							2		2
2	AYG464	BRACKET-MOUNT-100 AMF ALTERNATOR & ENGINE MOUNT-LH	5340-66-128-5314							1		1
3	AYG489	CLAMP RING ASSY	5340-66-128-5332							2		2
4	FN108041	NUT	5310-99-499-8033							4		4
5	WL108001L	WASHER-LOCK	5310-99-138-9227							4		4
6	WL112001L	WASHER-LOCK	5310-66-128-5111							2		2
7	NH112041L	NUT	5310-66-128-5086							2		2
8	FB108101	BOLT	5306-99-122-5256							4		4
9	WA110061L	WASHER-PLAIN	5310-99-122-6476							7		7
10	WL110001L	WASHER-LOCK	5310-99-138-9228							7		7
11	BH210111	BOLT	5306-66-128-5313							1		1
12	SH210301	SCREW	5305-66-128-5289							6		6
13	DE290020003	FAN-GENERATOR	6150-66-095-0371									1
14	DE290020002	PULLEY-GENERATOR	3020-66-090-7565									1
15	DE290010046	WASHER-SPECIAL	5310-66-095-8033							1		1
16	NSS	SCREW	5305-66-129-9836									1

CHANGE POINT

ARN INTRODUCTION

GROUP QGC/1



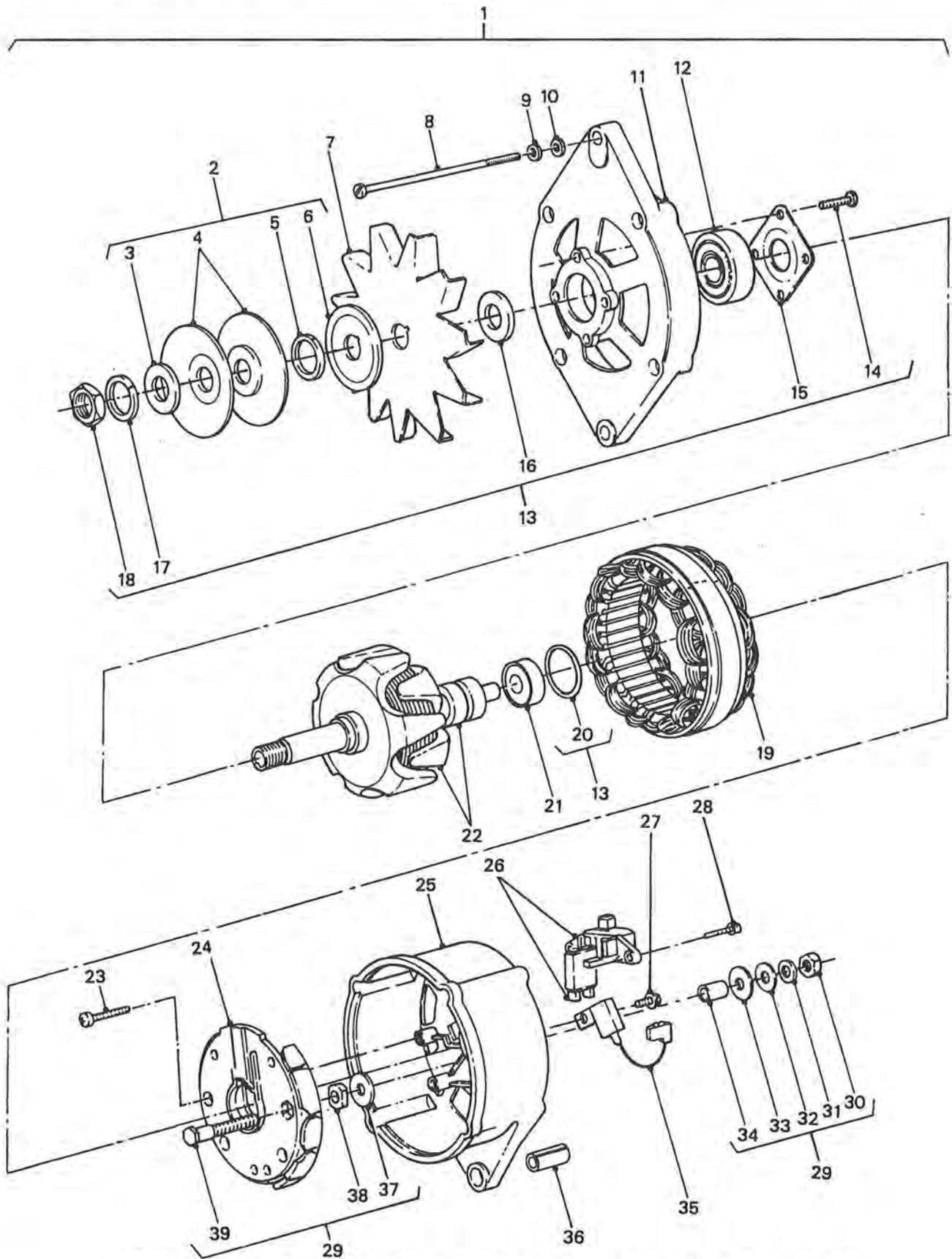
**ALTERNATOR – ENGINE ACCESSORY
 – 24 VOLT, 55 AMP
 – GMV AND ERV**

PERENTIE LAND ROVER PARTS LIST

QGC /1/1 ALTERNATOR - ENGINE ACCESSORY - 24 VOLT, 55 AMP - GMV & ERV
DERIVATIVE CODE

<u>ITEM</u>	<u>PART NO.</u>	<u>DESCRIPTION</u>	<u>NSN</u>	<u>2185</u>	<u>2186</u>	<u>2208</u>	<u>2209</u>	<u>2210</u>	<u>2211</u>	<u>2212</u>	<u>2219</u>	<u>CP</u>
1	AYG498	ALTERNATOR-24V, 55A	2920-66-128-6038					1		1		
2	HYL9519	KIT-PULLEY (INCLUDES ITEMS 3-6)	3020-66-128-6040					1		1		
3	NSS											
4	NSS											
5	NSS											
6	NSS											
7	HYL9516	FAN-ALTERNATOR	6115-66-128-6047					1		1		
8	HYL9508	SCREW	5305-66-128-6048					4		4		
9	HYL9506	WASHER-LOCK						4		4		
10	HYL9507	WASHER-PLAIN						4		4		
12	HYL9498	BEARING-BALL	3110-00-554-3238					1		1		
13	HYL9517	PARTS-ROTOR (INCLUDES ITEMS 14 TO 18,20)	2920-66-128-6205					1		1		
14	NSS											
15	NSS											
16	NSS											
17	NSS											
18	NSS											
19	HYL9505	STATOR	2920-66-128-6206					1		1		
20	NSS											
21	HYL9500	BEARING-BALL	3110-00-203-4103					1		1		
22	HYL9499	ROTOR	2920-66-128-6053					1		1		
23	HYL9503	SCREW ASSY						3		3		
24	HYL9502	RECTIFIER	5961-66-128-6054					1		1		
25	HYL9501	COVER-REAR						1		1		
26	HYL9504	REGULATOR	2920-66-128-6055					1		1		
27	HYL9514	SCREW ASSY						1		1		
28	HYL9510	SCREW ASSY						2		2		

GROUP QGC/1



**ALTERNATOR – ENGINE ACCESSORY
– 24 VOLT, 55 AMP
– GMV AND ERV**

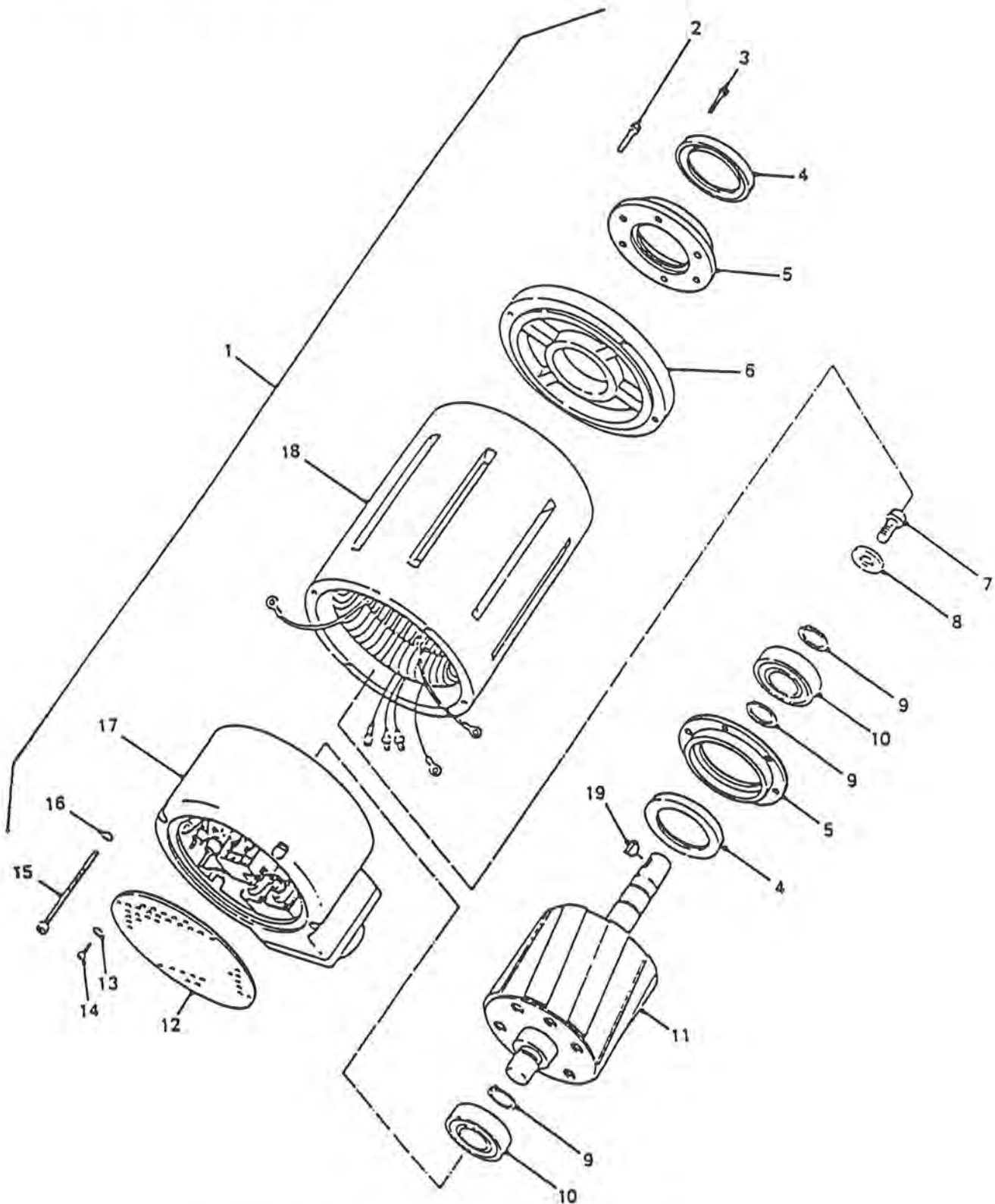
PERENTIE LAND ROVER PARTS LIST

QGC /1/1 ALTERNATOR - ENGINE ACCESSORY - 24 VOLT, 55 AMP - GMV & ERV
DERIVATIVE CODE

<u>ITEM</u>	<u>PART NO.</u>	<u>DESCRIPTION</u>	<u>NSN</u>	<u>2185</u>	<u>2186</u>	<u>2208</u>	<u>2209</u>	<u>2210</u>	<u>2211</u>	<u>2212</u>	<u>2219</u>	<u>CP</u>
29	HYL9518	PARTS-TERMINAL						1		1		
30	NSS											
31	NSS											
32	NSS											
33	NSS											
34	NSS											
35	HYL9515	CAPACITOR	5910-66-128-6059					1		1		
36	HYL9511	SLEEVE-SPLIT						1		1		
37	NSS											
38	NSS											
39	NSS											

CHANGE POINT

ARN INTRODUCTION

GROUP QGC/2

**GENERATOR – ENGINE ACCESSORY
– 28 VOLT D.C., 100 AMP – FFR
– AMBULANCE AND AIR DEFENCE**

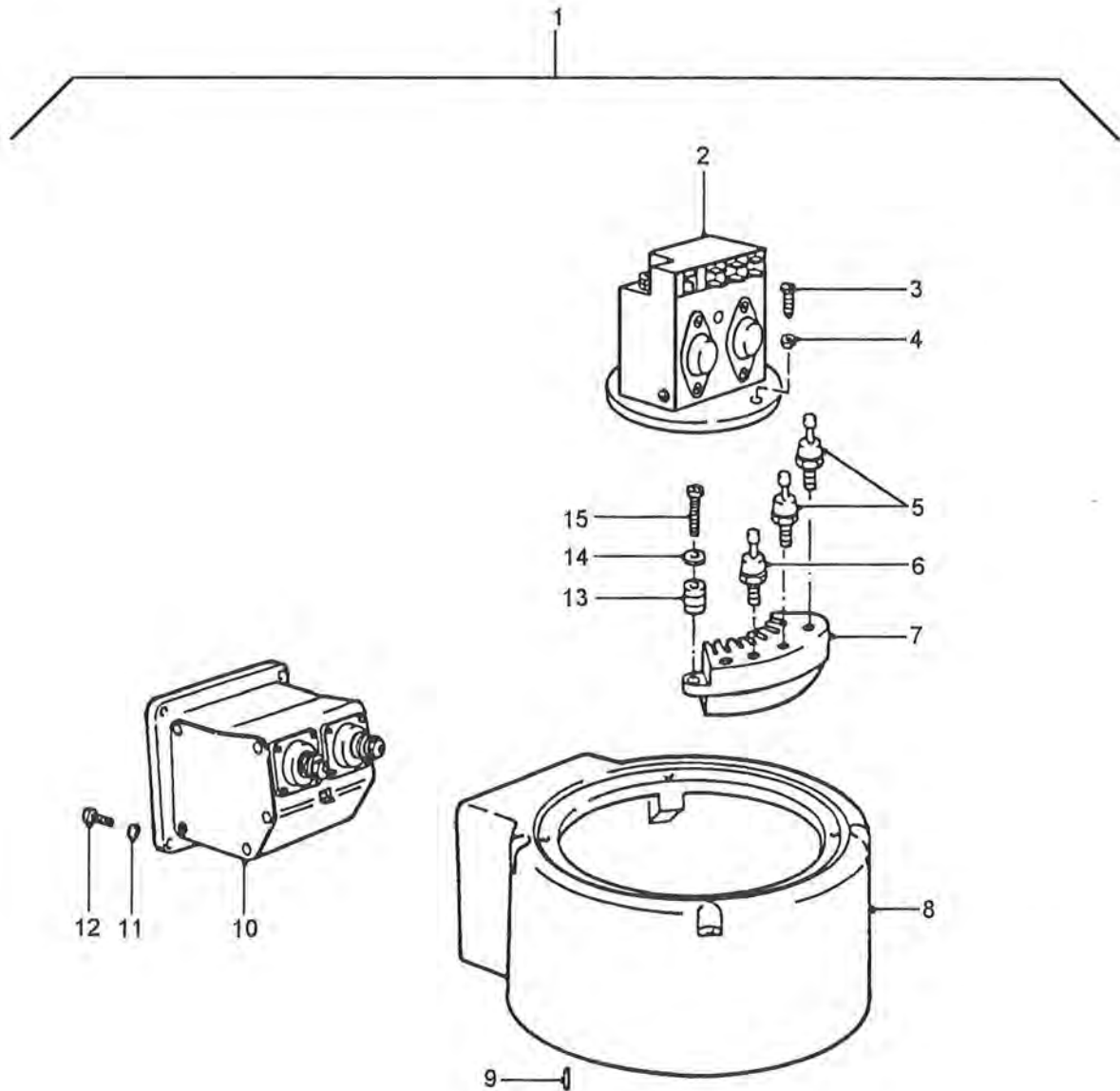
PERENTIE LAND ROVER PARTS LIST

QGC /2/1 GENERATOR - ENGINE ACCESSORY - 28 VOLT D.C., 100 AMP - FFR VEHICLES
DERIVATIVE CODE

<u>ITEM</u>	<u>PART NO.</u>	<u>DESCRIPTION</u>	<u>NSN</u>	<u>2185</u>	<u>2186</u>	<u>2208</u>	<u>2209</u>	<u>2210</u>	<u>2211</u>	<u>2212</u>	<u>2219</u>	<u>CP</u>
1	DE290010001	GENERATOR	2920-66-095-0364			1					1	
2	NSS		5306-66-095-8035									
3	NSS		5305-99-122-3380									
4	NSS		5330-66-129-9832									
5	NSS		3110-66-095-0369									
6	NSS		2920-66-095-0370									
7	NSS		5306-66-095-8037									
8	DE290010046	WASHER-SPECIAL	5310-66-095-8033			1					1	
9	NSS		5365-66-095-0368									
10	NSS		3110-66-133-4554									
11	NSS		2920-66-095-0366									
12	NSS		2920-66-095-0367									
13	NSS		5310-66-034-5612									
14	NSS		5305-99-135-0589									
15	NSS		5305-12-151-0668									
16	NSS		5310-66-037-2591									
17	NSS											
18	NSS		2920-66-095-0365									
19	NSS		5315-66-012-9979									

CHANGE POINT

ARN INTRODUCTION



**GENERATOR – 28 VOLT D.C.
END BELL/HEATSINK ASSEMBLY**

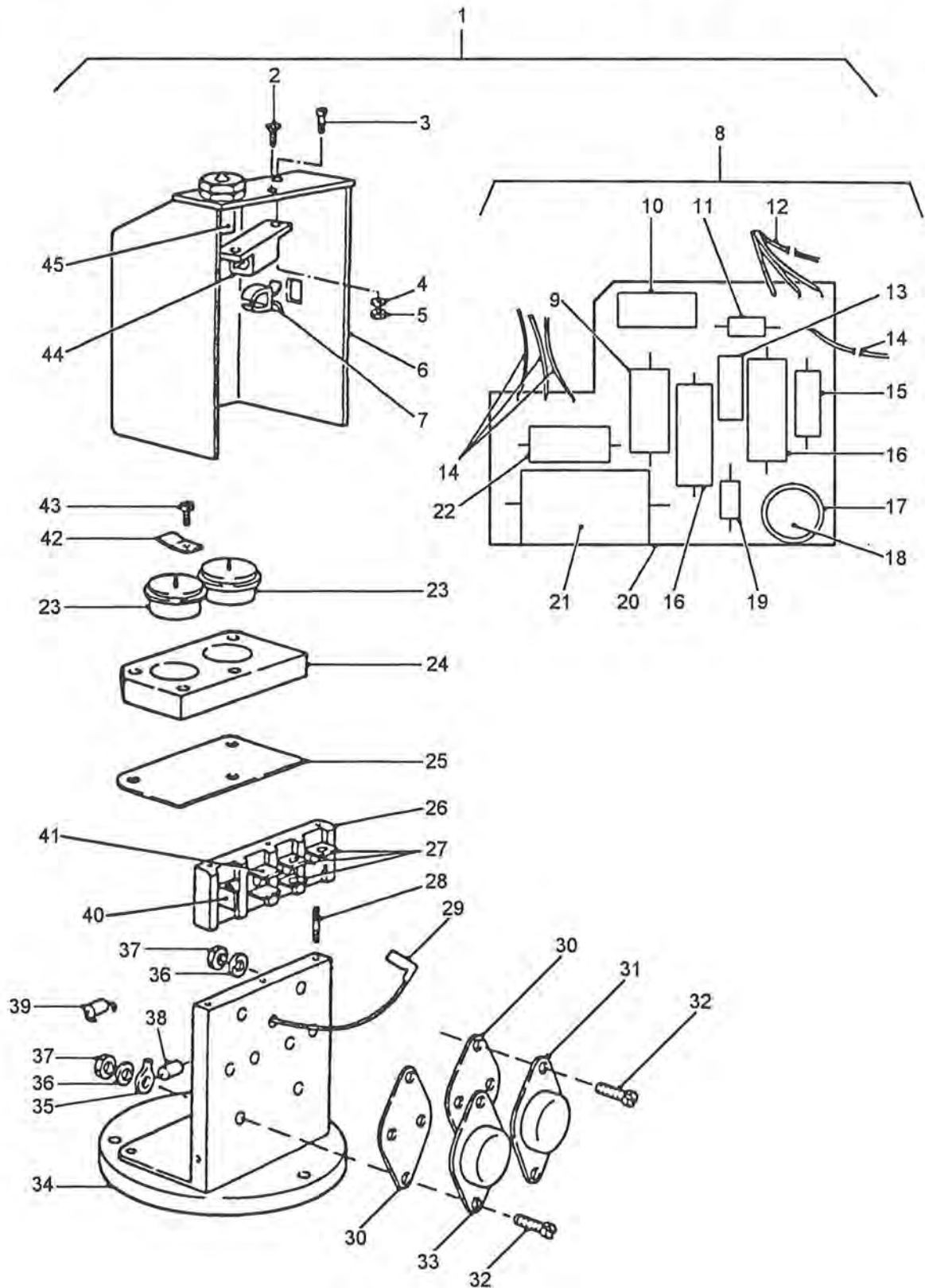
PERENTIE LAND ROVER PARTS LIST

QGD /1/1 GENERATOR - 28 VOLT D.C. - END BELL/HEATSINK ASSEMBLY

<u>ITEM</u>	<u>PART NO.</u>	<u>DESCRIPTION</u>	<u>NSN</u>	<u>DERIVATIVE CODE</u>									
				<u>2185</u>	<u>2186</u>	<u>2208</u>	<u>2209</u>	<u>2210</u>	<u>2211</u>	<u>2212</u>	<u>2219</u>	<u>CP</u>	
1	NSS		5999-66-096-4323										
2	DE290010019	REGULATOR	2920-66-095-0372				1						1
3	NSS		5305-99-135-0603										
4	NSS		5310-66-029-0699										
5	NSS		5961-01-013-9354										
6	NSS		5961-66-126-9903										
7	NSS		5999-66-096-4324										
8	NSS												
9	NSS		5315-66-095-8038										
10	NSS												
11	NSS		5310-66-029-0703										
12	NSS		5305-99-135-0591										
13	NSS		5970-66-096-4325										
14	WA105001L	WASHER-PLAIN	5310-99-122-3032				6						6
15	NSS		5305-99-135-0606										

CHANGE POINT

ARN INTRODUCTION

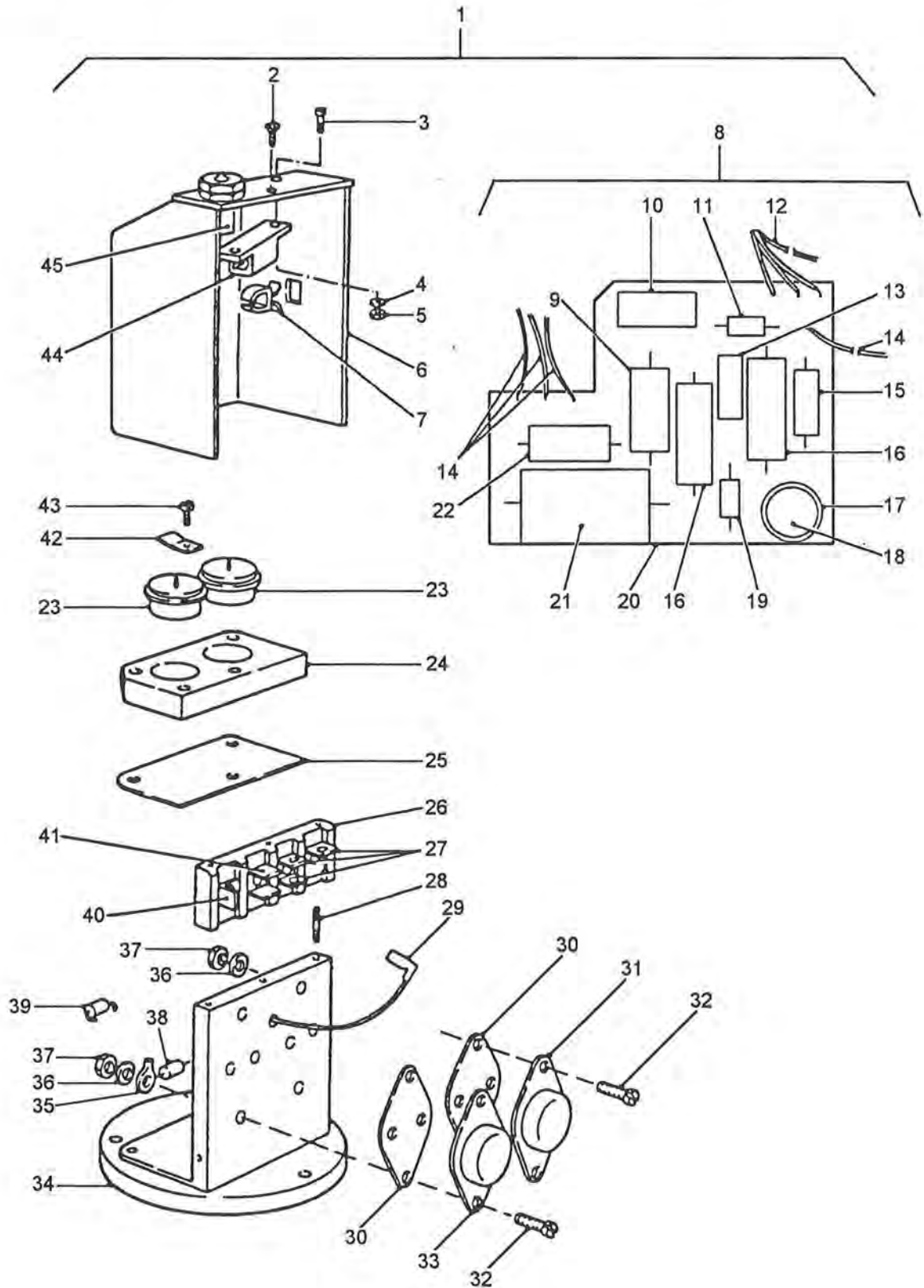


**GENERATOR – 28 VOLT D.C.
REGULATOR ASSEMBLY**

PERENTIE LAND ROVER PARTS LIST

QGE /1/1 GENERATOR - 28 VOLT D.C. - REGULATOR ASSEMBLY

ITEM	PART NO.	DESCRIPTION	NSN	DERIVATIVE CODE								
				2185	2186	2208	2209	2210	2211	2212	2219	CP
1	DE290010019	REGULATOR	2920-66-095-0372			1					1	
2	NSS		5305-99-135-0485									
3	NSS		5305-99-135-0485									
4	NSS		5310-12-149-5707									
5	NSS		5310-66-024-9219									
6	NSS											
7	NSS											
8	NSS											
9	NSS		5905-99-014-0545									
10	NSS		5905-99-014-0555									
11	NSS		5961-00-723-3602									
12	NSS											
13	NSS											
14	NSS											
15	NSS											
16	NSS											
17	NSS											
18	NSS		5961-00-938-7657									
19	NSS		5961-00-060-1759									
20	NSS											
21	NSS		5910-99-653-7264									
22	NSS		5905-99-664-5837									
23	NSS											
24	NSS											
25	NSS											
26	NSS											
27	NSS											
28	NSS											
29	NSS											



**GENERATOR - 28 VOLT D.C.
REGULATOR ASSEMBLY**

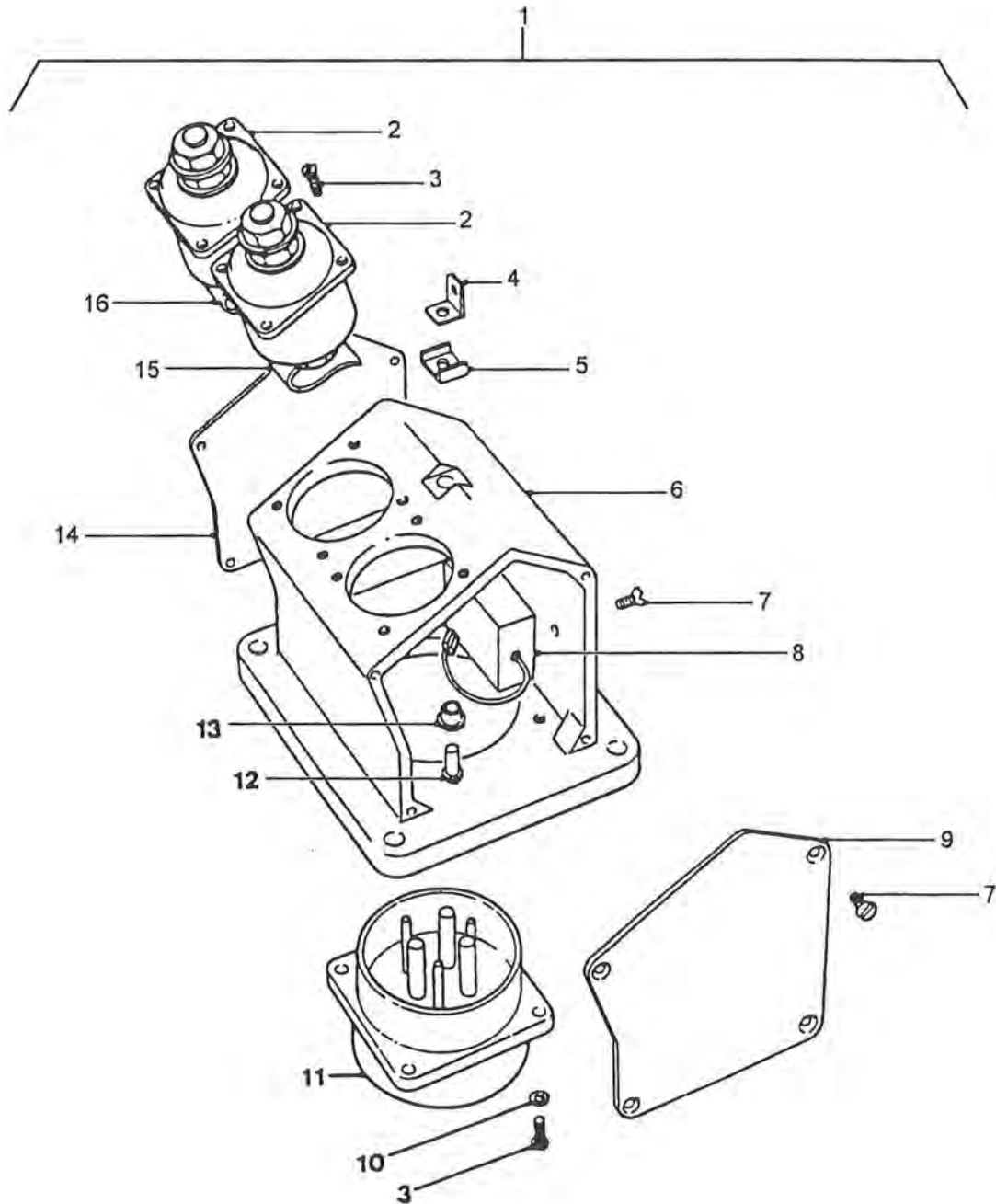
PERENTIE LAND ROVER PARTS LIST

QGE /1/1 GENERATOR - 28 VOLT D.C. - REGULATOR ASSEMBLY

<u>ITEM</u>	<u>PART NO.</u>	<u>DESCRIPTION</u>	<u>NSN</u>	<u>DERIVATIVE CODE</u>										
				<u>2185</u>	<u>2186</u>	<u>2208</u>	<u>2209</u>	<u>2210</u>	<u>2211</u>	<u>2212</u>	<u>2219</u>	<u>CP</u>		
30	NSS													
31	NSS		5961-66-098-4594											
32	NSS		5305-66-102-4318											
33	NSS		5961-66-070-0210											
34	NSS													
35	NSS		5940-66-041-6207											
36	NSS													
37	NSS		5310-12-122-0012											
38	NSS		5905-66-063-9731											
39	NSS													
40	NSS		5940-66-096-4372											
41	NSS													
42	NSS		5940-66-018-4333											
43	NSS		5305-66-102-4319											
44	NSS													
45	NSS													

CHANGE POINT

ARN INTRODUCTION



**GENERATOR - 28 VOLT D.C.
FILTER ASSEMBLY (EARLY TYPE)**

PERENTIE LAND ROVER PARTS LIST

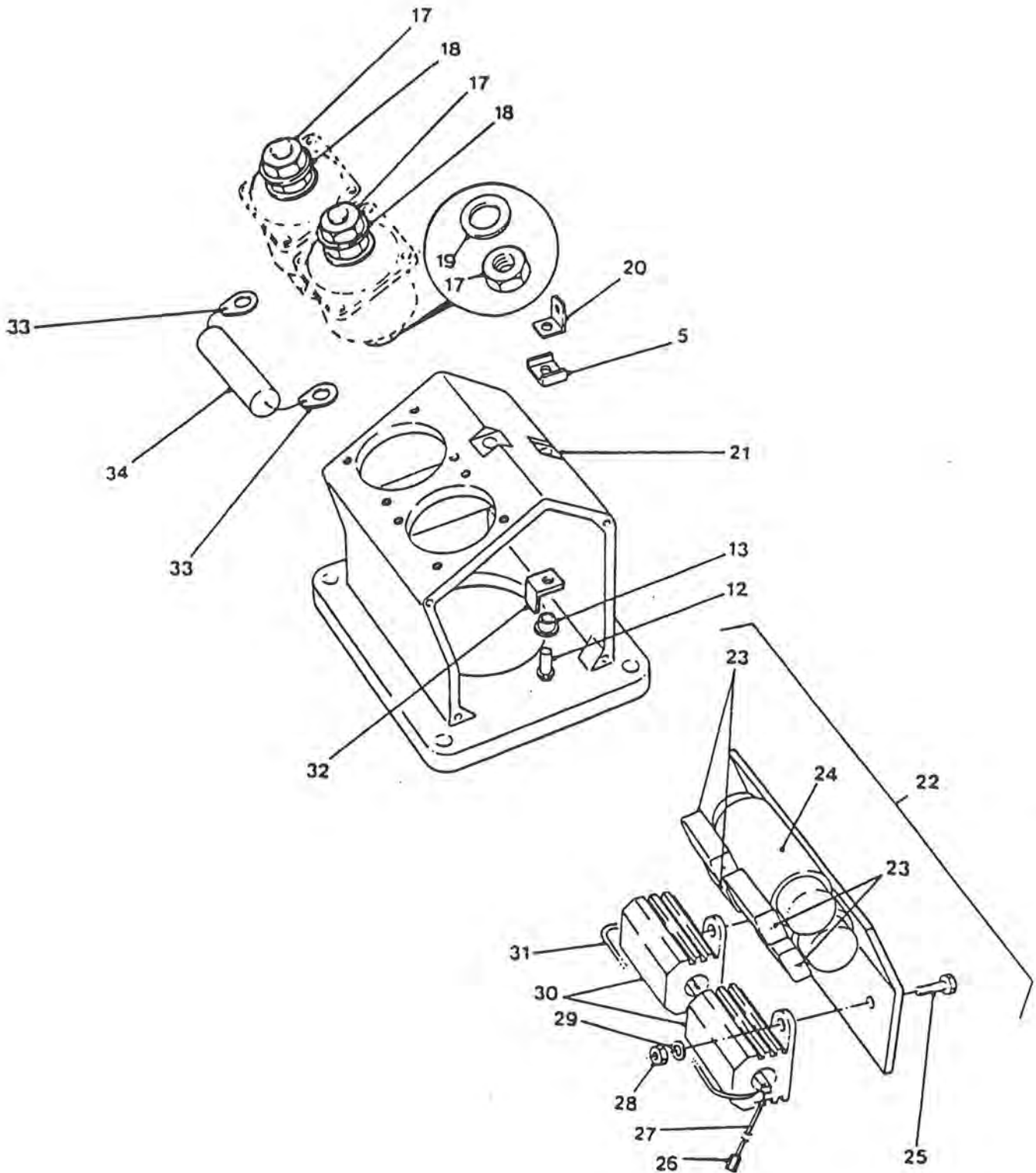
QGF /1/1 GENERATOR - 28 VOLT D.C. - FILTER ASSEMBLY (EARLY TYPE)

DERIVATIVE CODE

<u>ITEM</u>	<u>PART NO.</u>	<u>DESCRIPTION</u>	<u>NSN</u>	<u>2185</u>	<u>2186</u>	<u>2208</u>	<u>2209</u>	<u>2210</u>	<u>2211</u>	<u>2212</u>	<u>2219</u>	<u>CP</u>
1	NSS		5915-66-096-4328									
2	NSS		5910-66-096-4368									
3	NSS		5305-99-135-0590									
4	NSS		5940-66-096-4372									
5	NSS		5970-66-096-4365									
6	NSS		5915-66-096-4362									
7	NSS		5305-99-135-0484									
8	NSS		5915-66-096-4363									
9	NSS		2920-66-095-0375									
10	NSS		5310-66-029-0703									
11	NSS		5935-00-729-8811									
12	NSS		5320-66-095-8039									
13	NSS		5970-66-096-4364									
14	NSS		2920-66-095-0374									
15	NSS		6150-66-118-4060									
16	NSS		6150-66-096-4369									

CHANGE POINT

ARN INTRODUCTION



**GENERATOR – 28 VOLT D.C.
FILTER ASSEMBLY (LATE TYPE)**

PERENTIE LAND ROVER PARTS LIST

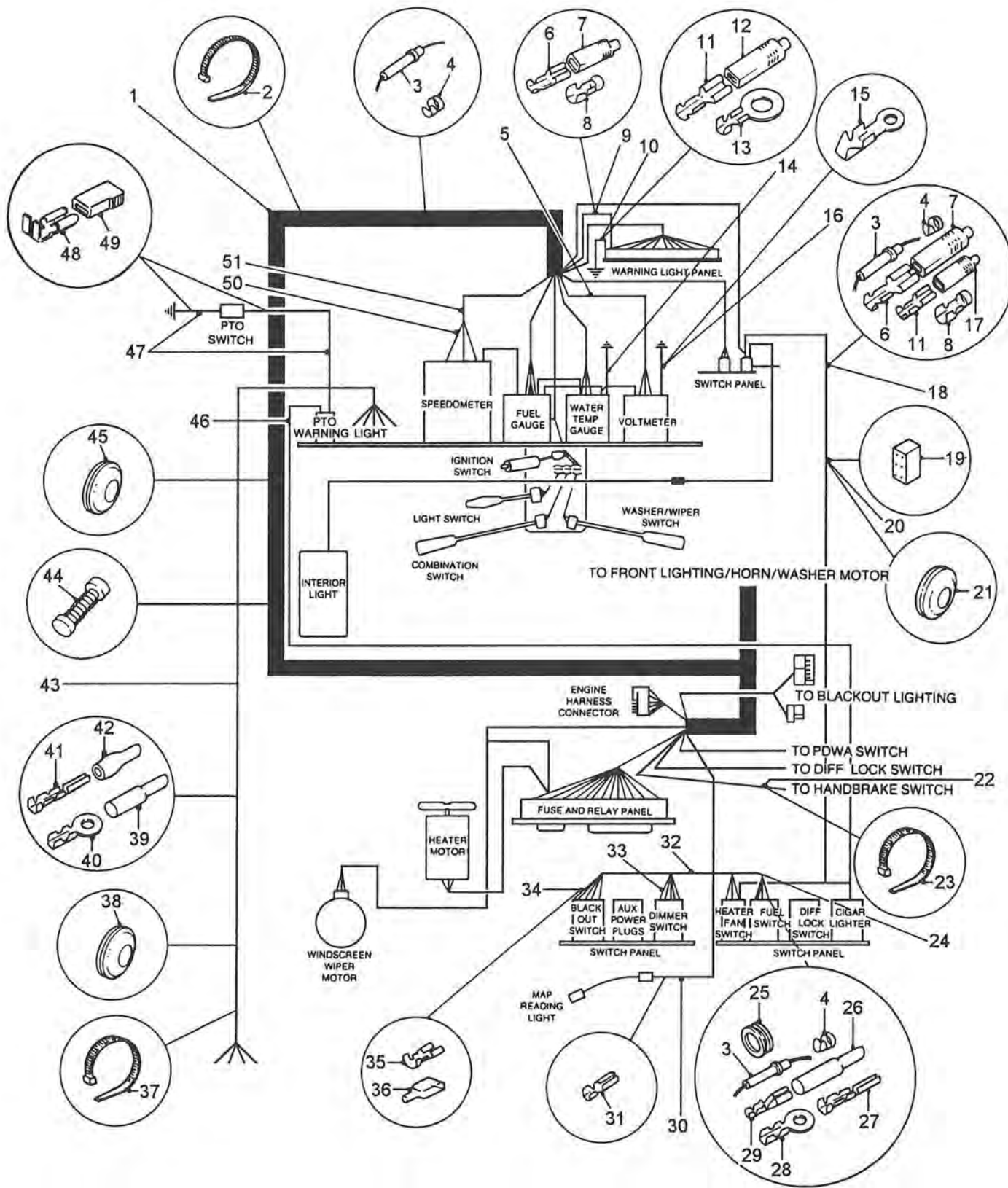
QGF /1/2 GENERATOR - 28 VOLT D.C. - FILTER ASSEMBLY (LATE TYPE)

<u>ITEM</u>	<u>PART NO.</u>	<u>DESCRIPTION</u>	<u>NSN</u>	<u>DERIVATIVE CODE</u>										
				<u>2185</u>	<u>2186</u>	<u>2208</u>	<u>2209</u>	<u>2210</u>	<u>2211</u>	<u>2212</u>	<u>2219</u>	<u>CP</u>		
17	NSS		5310-66-010-7828											
18	NSS		5310-66-014-1549											
19	NSS		5310-66-016-5982											
20	NSS													
21	NSS													
22	NSS													
23	NSS													
24	NSS													
25	NSS		5305-66-104-8417											
26	NSS		5940-66-096-4371											
27	NSS													
28	NSS		5310-66-024-9219											
29	NSS													
30	NSS													
31	NSS													
32	NSS													
33	NSS													
34	NSS		5910-01-066-5477											
	HYM82	PLUG-CONNECTOR	5935-00-825-7282						1					1

CHANGE POINT

ARN INTRODUCTION

GROUP QH/1

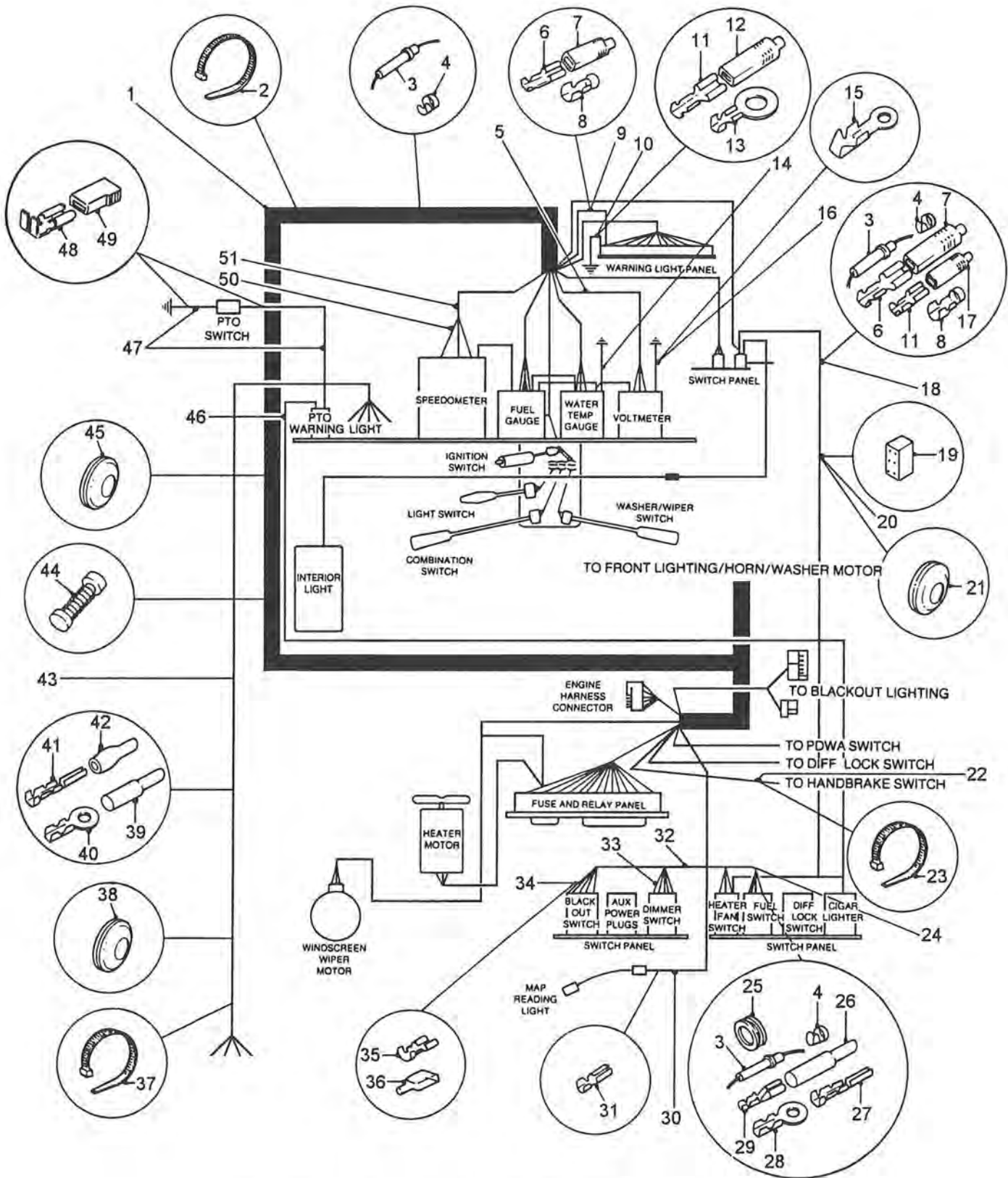


**CAB WIRING AND FITTINGS
- CARGO VEHICLES ONLY**

PERENTIE LAND ROVER PARTS LIST

ITEM	PART NO.	DESCRIPTION	NSN	DERIVATIVE CODE								
				2185	2186	2208	2209	2210	2211	2212	2219	CP
1	PRC6757	HARNESS-MAIN-WITH BARREL FUSES		1	1							
	PRC7850	HARNESS-MAIN-WITH BLADE FUSES		1	1							01
	PRC8244	HARNESS-MAIN-WITH BLADE FUSES AND HEADLAMP DELAY		1	1							02
	PRC8384	HARNESS-MAIN-WITH BLADE FUSES, HEADLAMP DELAY AND WIPE/WASH DELAY		1	1						1	03
	BHA4460	CONNECTOR -MAIN HARNESS		2	2							2
2	AAU3686	CABLE STRAP-HARNESS TO INNER DASH PANEL		2	2							2
3	NSS											
4	NSS											
5	PRC3053	LEAD-VOLTMETER TO HARNESS		1	1							1
6	NSS											
7	NSS											
8	MYH2565	TERMINAL	5940-66-128-4737	18	19							18
9	YG9896	LEAD-6WD INDICATOR POWER FEED TO LIGHT		1	1							1
10	AYG9629	LEAD-6WD SWITCH TO EARTH		1	1							1
11	NSS											
12	NSS											
13	NSS											
14	PRC3055	LEAD-TEMPERATURE GAUGE TO EARTH		1	1							1

GROUP QH/1

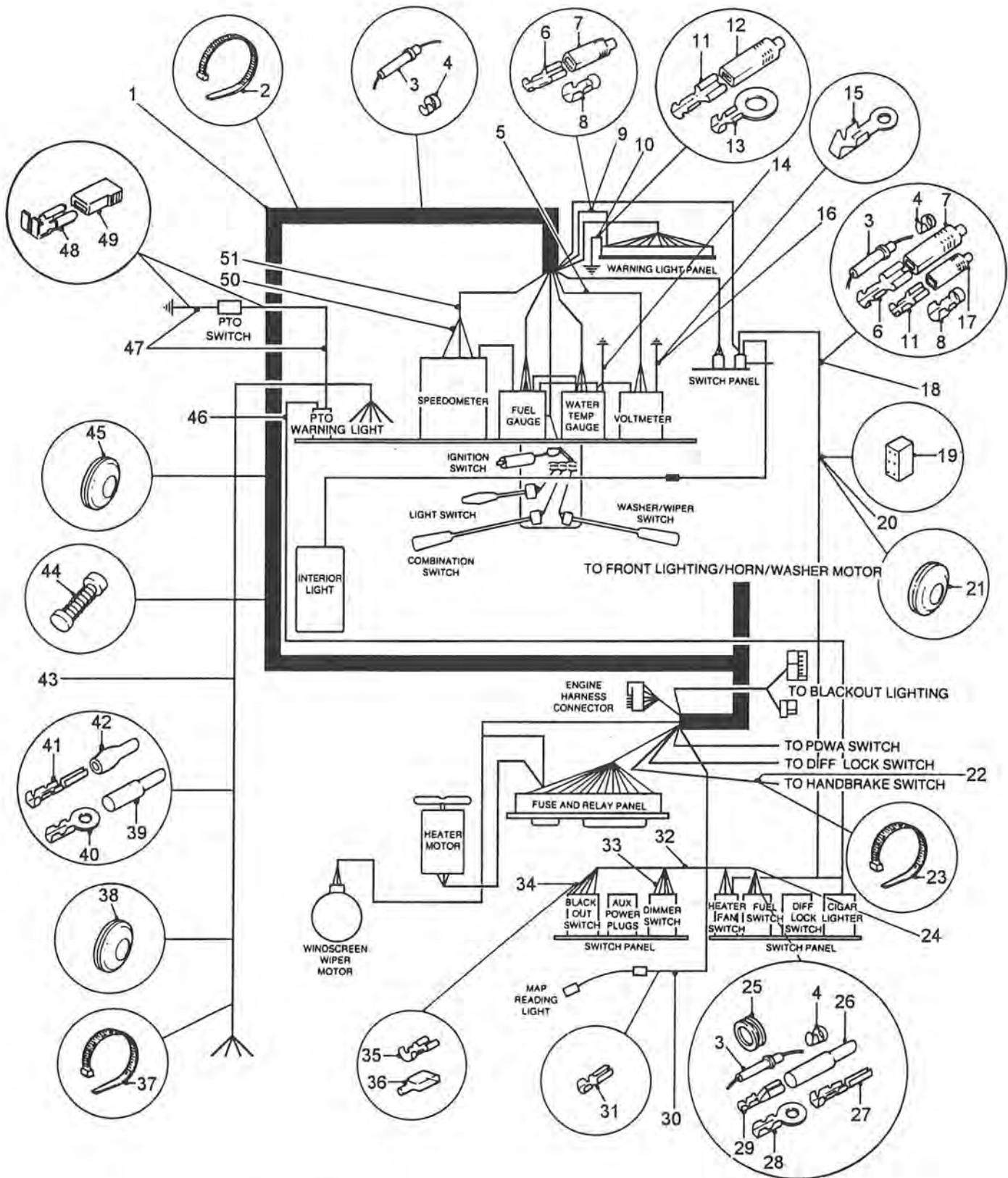


CAB WIRING AND FITTINGS - CARGO VEHICLES ONLY

PERENTIE LAND ROVER PARTS LIST

QH /1/1	CAB WIRING AND FITTINGS - CARGO VEHICLES ONLY	DERIVATIVE CODE													
			ITEM	PART NO.	DESCRIPTION	NSN	2185	2186	2208	2209	2210	2211	2212	2219	CP
			15	NSS											
			16	AYG9830	CABLE-INSTRUMENT EARTH			1	1					1	
			17	NSS											
			18	AYG9899	HARNESS-CIGAR LIGHTER INTERIOR LIGHT, HEATER FAN SWITCHES (BARREL FUSE TYPE)			1	1						
				BYG9064	HARNESS-CIGAR LIGHTER INTERIOR LIGHT, HEATER FAN SWITCHES (BLADE FUSE TYPE)			1	1					1	01
			19	AYG9806	CONNECTOR-6 PIN-INTERIOR LIGHT CABLE			1	1					1	
			20	BYG9178	HARNESS-INTERIOR LAMP			1	1					1	
			21	RFR208	GROMMET-CABLE -INTERIOR LAMP	5325-66-089-5324		3	3					3	
			22	PRC4442	CABLE-HANDBRAKE SWITCH			1	1					1	
			23	DRC1538	CABLE TIE			4	4					4	
			24	BYG9358	HARNESS-FUEL SWITCH TO RELAY			1	1					1	
			25	NSS											
			26	NSS											
			27	NSS											
			28	NSS											
			29	NSS											
			30	AYG9731	HARNESS-MAP READING LIGHT			1	1					1	
			31	NSS											
			32	AYG9768	CABLE-DIMMER SWITCH TO MAIN HARNESS			1	1					1	

GROUP QH/1

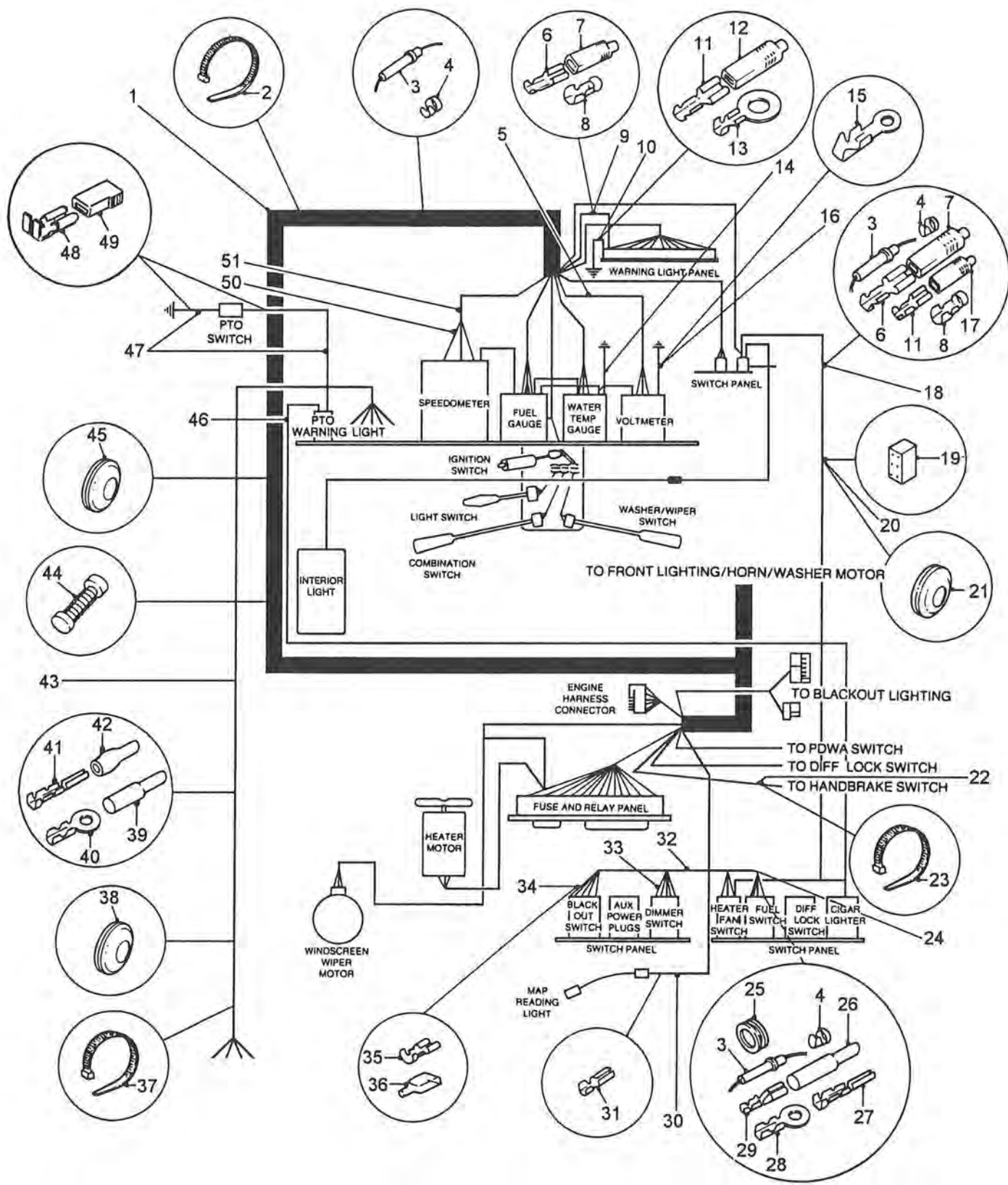


CAB WIRING AND FITTINGS - CARGO VEHICLES ONLY

PERENTIE LAND ROVER PARTS LIST

QH /1/1	CAB WIRING AND FITTINGS - CARGO VEHICLES ONLY				DERIVATIVE CODE								
	ITEM	PART NO.	DESCRIPTION	NSN	2185	2186	2208	2209	2210	2211	2212	2219	CP
	33	AYG9767	CABLE-FEED-DIMMER SWITCH		1	1							
		BYG9120	LINK-FUSED-DIMMER SWITCH		1	1						1	04
	34	BYG9357	CABLE-BLACKOUT LIGHT SWITCH		1	1						1	
	35	NSS											
	36	NSS											
	37	MYH1940	CABLE TIE -SUPPLEMENTARY HARNESS	5340-99-618-3776	6	6						6	
	38	R269257	GROMMET-HARNESS	5325-99-828-1011	2	2						2	
	39	NSS											
	40	NSS											
	41	NSS											
	42	NSS											
	43	AYG9841	HARNESS-SUPP. DISTRIBUTION BOX, AMMETER & HOUR METER		1	1						1	
	44	PRC9096	RESISTOR-100 OHMS		2	2						2	
	45	R276054	GROMMET-INNER DASH PANEL-MAIN HARNESS	5325-99-828-1012	1	1						1	
	46	AYG9945	CABLE-POWER FEED TO P.T.O. WARNING LAMP			1						1	
	47	AYG9946	HARNESS-P.T.O. WARNING LAMP			1						1	
	48	NSS											
	49	NSS											
	50	PRC7329	CABLE-SPEEDOMETER ILLUMINATION		1	1						1	
	51	BYG9147	HARNESS-INSTRUMENTS		1	1						1	
		BYG9119	LINK-FUSED-INSPECTION SOCKET-FEED		1	1						1	04

GROUP QH/1



CAB WIRING AND FITTINGS - CARGO VEHICLES ONLY

PERENTIE LAND ROVER PARTS LIST

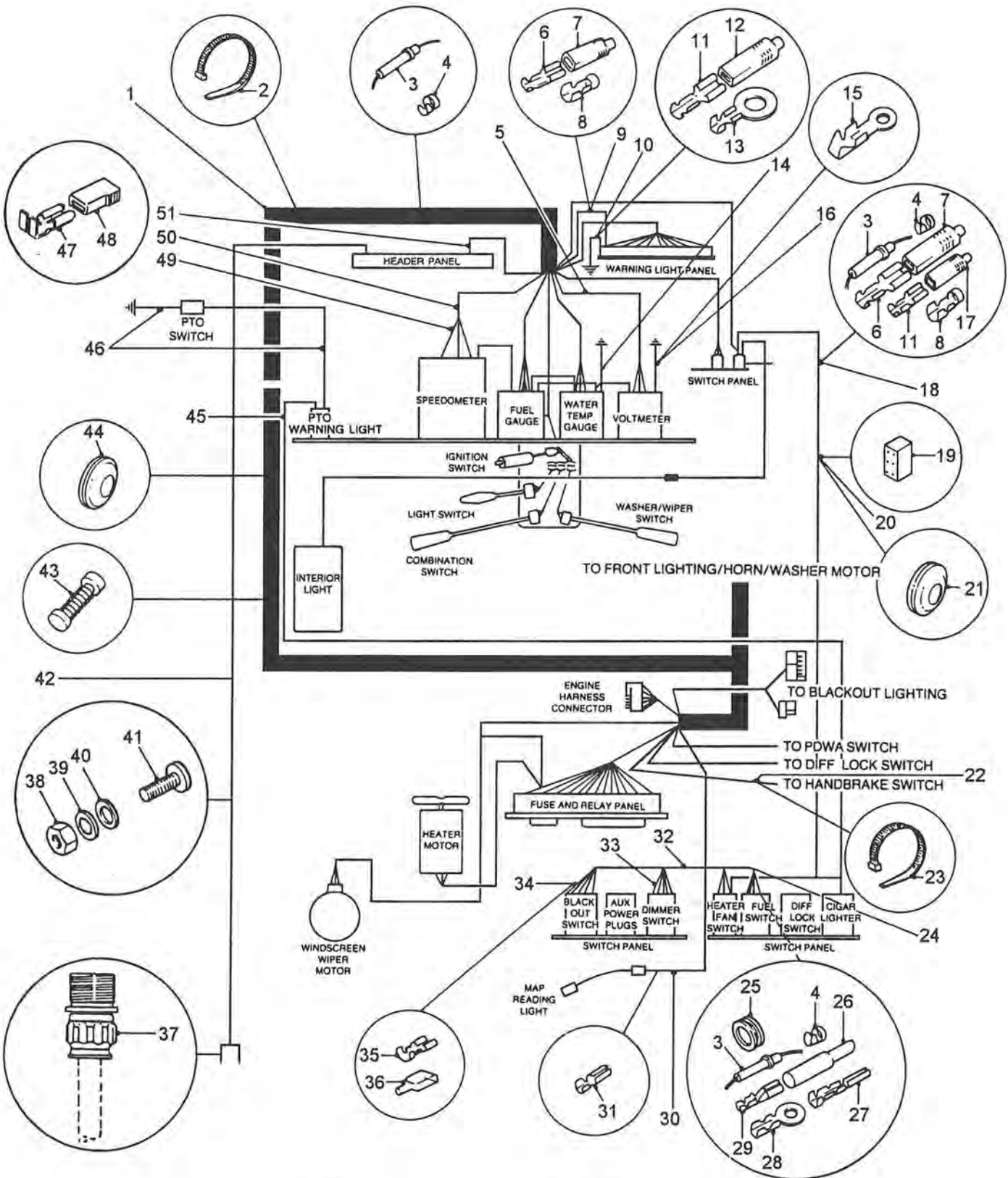
<u>ITEM</u>	<u>PART NO.</u>	<u>DESCRIPTION</u>	<u>NSN</u>	<u>DERIVATIVE CODE</u>							<u>CP</u>
				<u>2185</u>	<u>2186</u>	<u>2208</u>	<u>2209</u>	<u>2210</u>	<u>2211</u>	<u>2212</u>	
	QH /1/1	CAB WIRING AND FITTINGS - CARGO VEHICLES ONLY									
	BYG9073	FUSEBOX-BLADE TYPE		1	1						1
	RTC4501	FUSE-10AMP-BLADE TYPE		1	1						1
	PRC3095	CABLE-MAIN HARNESS TO PDWA SWITCH		1	1						1
	HYG6094	GUARD-FOAM-MAIN HARNESS		1	1						1
	AAU3686	CABLE STRAP-HARNESS & GUARD TO INNER DASH PANEL		1	1						1
	MYH1780	CONNECTOR-LEAD TO MAIN HARNESS-6WD	5940-66-017-9989	1	1						1
	MYH1780	CONNECTOR-REVERSE LEAD TO ENGINE HARNESS	5940-66-017-9989	1	1						1
	BYG9140	CABLE-LINK-HEADLAMP OVERRIDE		1	1						1

CHANGE POINT

ARN INTRODUCTION

- | | |
|---|---------------------------------|
| 1 | INTRODUCTION BLADE TYPE FUSES |
| 2 | INTRODUCTION HEADLAMP RELAY |
| 3 | INTRODUCTION WIPER DELAY SYSTEM |
| 4 | 50-853 CARGO |

GROUP QH/2

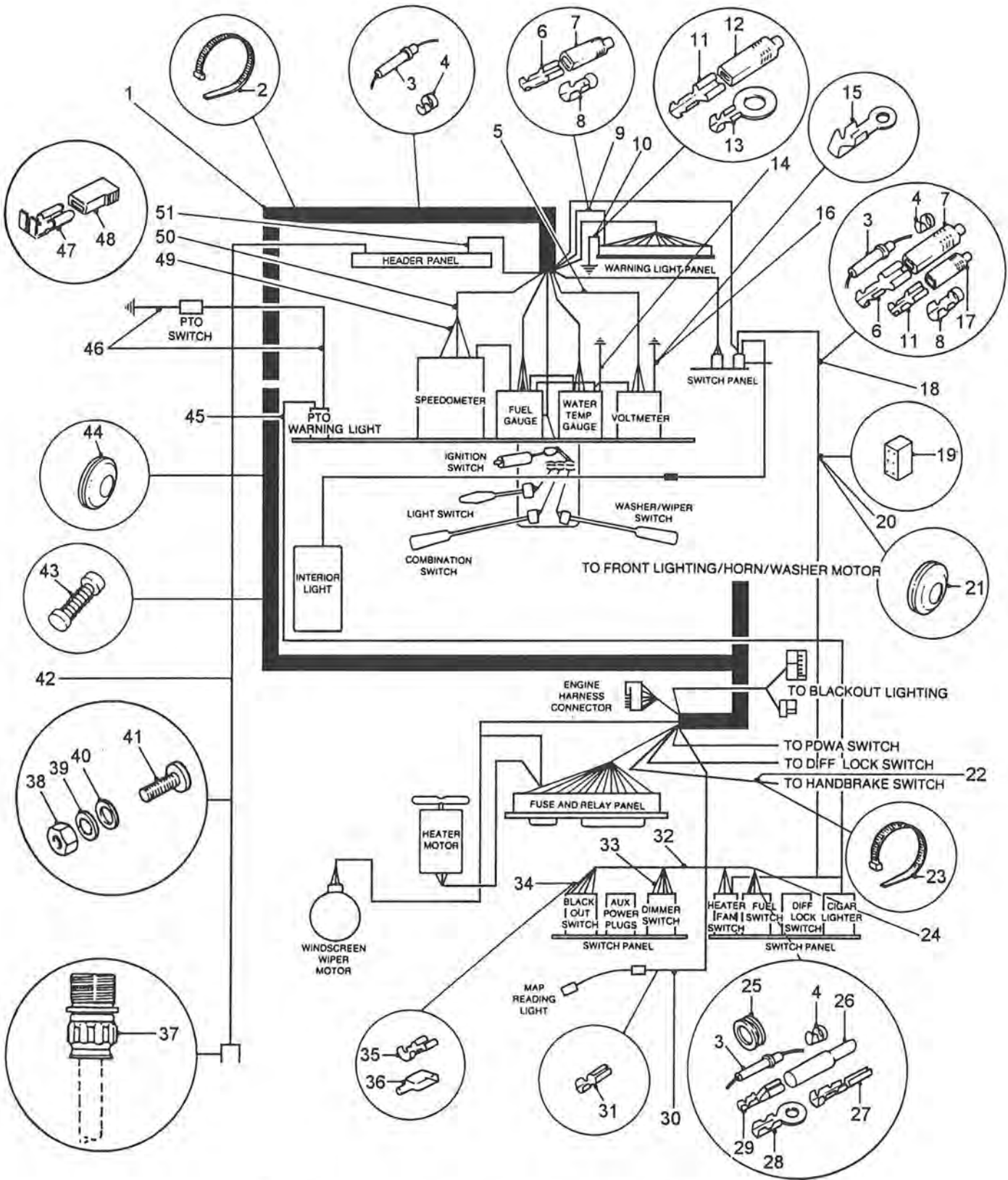


**CAB WIRING AND FITTINGS
- AMBULANCE VEHICLES ONLY**

PERENTIE LAND ROVER PARTS LIST

ITEM	QH /2/1 PART NO.	DESCRIPTION	NSN	ONLY DERIVATIVE CODE								
				2185	2186	2208	2209	2210	2211	2212	2219	CP
1	PRC6757	HARNESS-MAIN-WITH BARREL FUSES				1						
1	BYG9182	HARNESS-MAIN-WITH BLADE FUSES				1						01
	BHA4460	CONNECTOR -MAIN HARNESS				2						
2	AAU3686	CABLE STRAP-HARNESS TO INNER DASH PANEL				2						
3	NSS					4						
4	NSS											
5	PRC3053	LEAD-VOLTMETER TO HARNESS				1						
6	NSS											
7	NSS											
8	MYH2565	TERMINAL	5940-66-128-4737			21						
9	AYG9896	LEAD-6WD INDICATOR POWER FEED TO LIGHT				1						
10	AYG9629	LEAD-6WD SWITCH TO EARTH				1						
11	NSS											
12	NSS											
13	NSS											
14	PRC3055	LEAD-TEMPERATURE GAUGE TO EARTH				1						
15	NSS											
16	AYG9830	CABLE-INSTRUMENT EARTH				1						
17	NSS											
18	AYG9899	HARNESS-CIGAR LIGHTER INTERIOR LIGHT, HEATER FAN SWITCHES (BARREL FUSE TYPE)				1						

GROUP QH/2

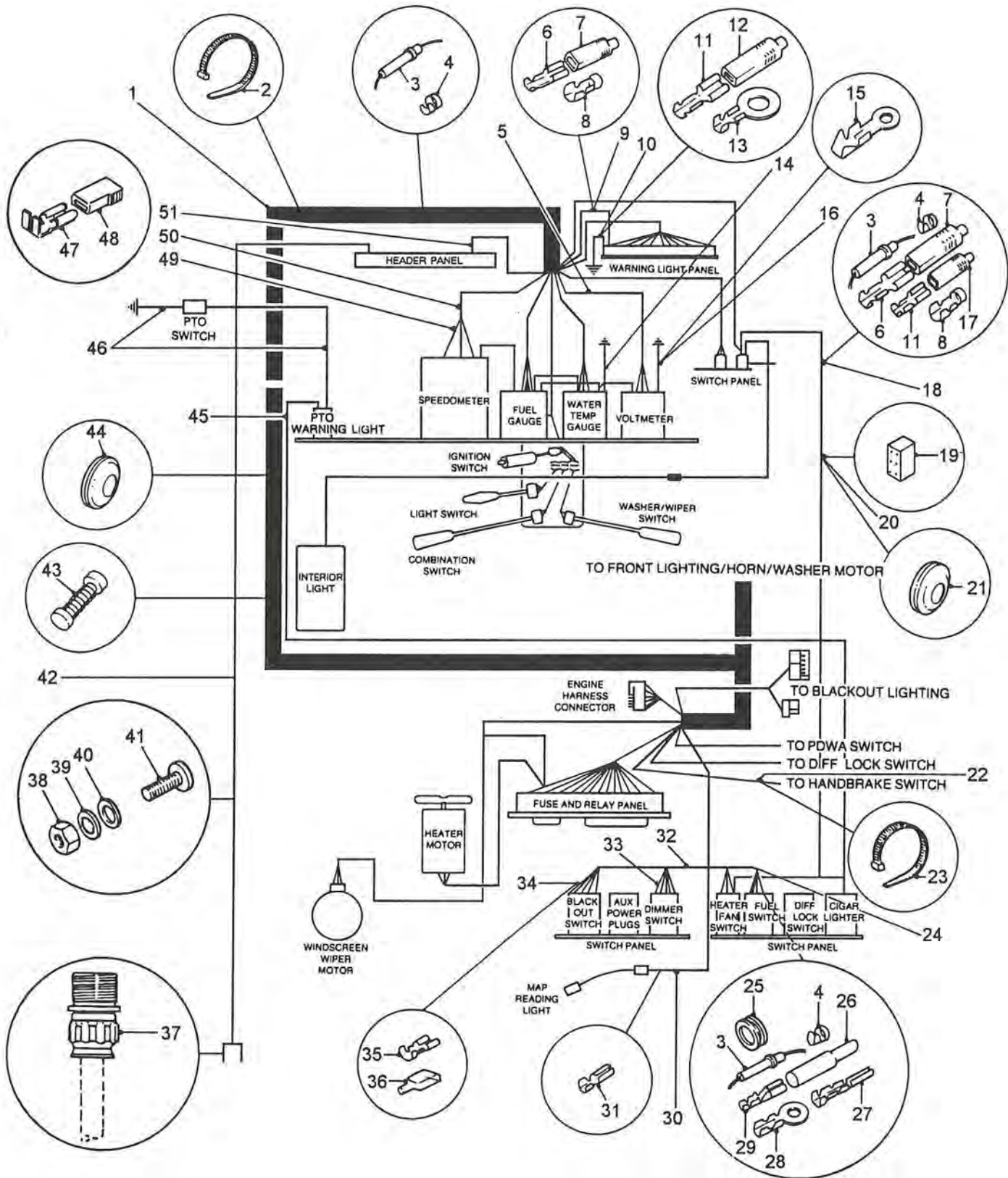


CAB WIRING AND FITTINGS - AMBULANCE VEHICLES ONLY

PERENTIE LAND ROVER PARTS LIST

ITEM	PART NO.	DESCRIPTION	NSN	ONLY							CP	
				2185	2186	2208	2209	2210	2211	2212		2219
	BYG9064	HARNESS-CIGAR LIGHTER INTERIOR LIGHT, HEATER FAN SWITCHES (BLADE FUSE TYPE)				1						02
19	AYG9806	CONNECTOR-6 PIN-INTERIOR LIGHT CABLE				1						
20	BYG9178	HARNESS-INTERIOR LAMP				1						
21	RFR208	GROMMET-CABLE -INTERIOR LAMP	5325-66-089-5324			3						
22	PRC4442	CABLE-HANDBRAKE SWITCH				1						
23	DRC1538	CABLE TIE-HANDBRAKE SWITCH LEAD				4						
24	BYG9358	HARNESS-FUEL SWITCH TO RELAY				1						
25	NSS											
26	NSS											
27	NSS											
28	NSS											
29	NSS											
30	AYG9731	HARNESS-MAP READING LAMP				1						
31	NSS											
32	AYG9768	CABLE-DIMMER SWITCH TO MAIN HARNESS				1						
33	AYG9767	CABLE-FEED-DIMMER SWITCH				1						
	BYG9120	LINK-FUSED-DIMMER SWITCH				1						
34	BYG9357	CABLE-BLACKOUT LIGHT SWITCH				1						

GROUP QH/2

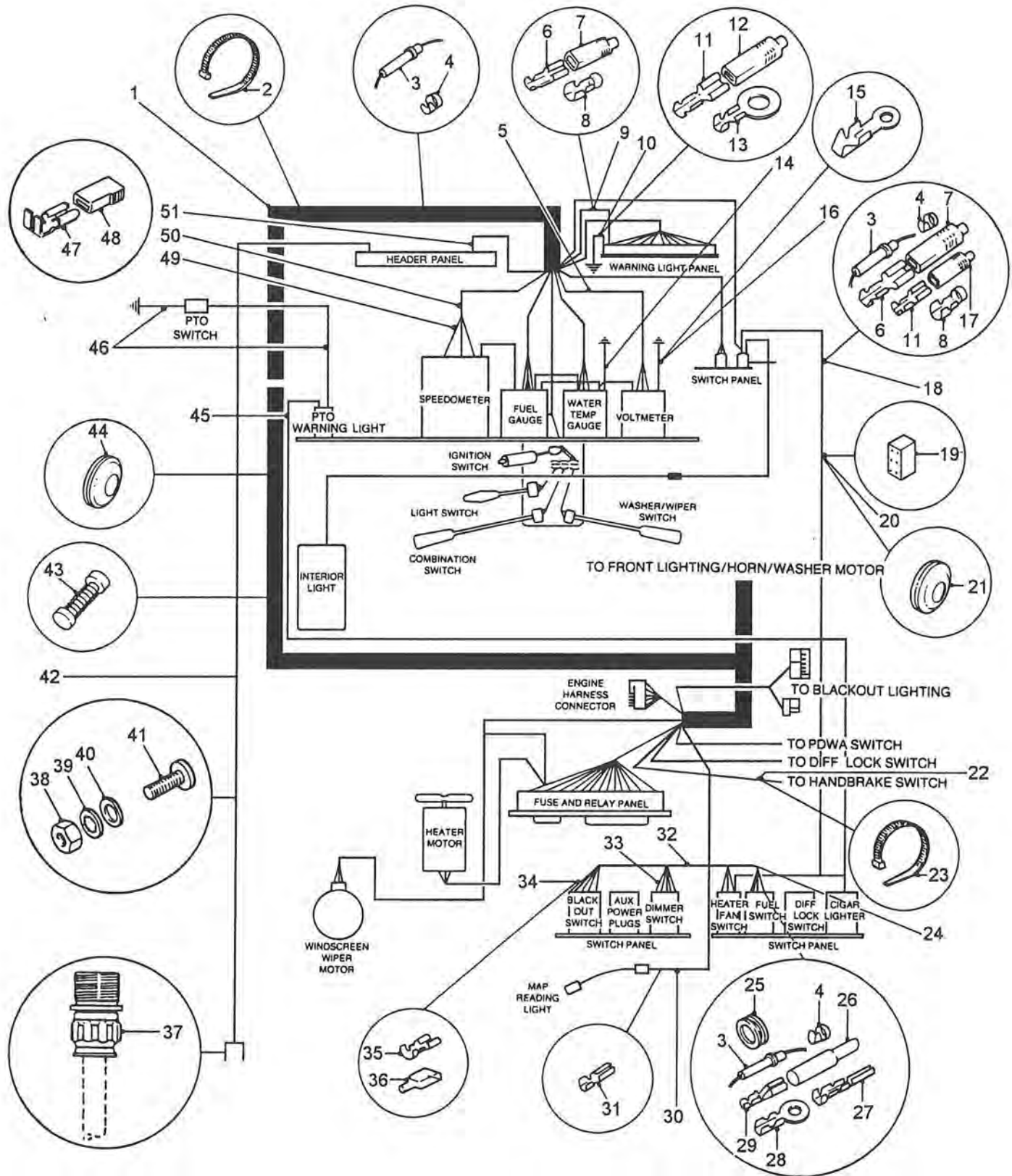


CAB WIRING AND FITTINGS - AMBULANCE VEHICLES ONLY

PERENTIE LAND ROVER PARTS LIST

ITEM	PART NO.	DESCRIPTION	NSN	DERIVATIVE CODE										
				2185	2186	2208	2209	2210	2211	2212	2219	CP		
35	NSS													
36	NSS													
37	BYG9002	PLUG-SOCKET-HEADER PANEL HARNESS								1				
38	MYH3389	NUT-HARNESS TO CAB REAR PANEL								4				
39	MYH3390	WASHER-LOCK								4				
40	WA103001L	WASHER-PLAIN	5310-99-122-3030							4				
41	MYH3388	SCREW								4				
42	AYG9995	HARNESS-HEADER PANEL TO CAB REAR								1				
43	PRC9096	RESISTOR-100 OHMS								2				
44	R276054	GROMMET-INNER DASH PANEL-MAIN HARNESS	5325-99-828-1012							1				
45	AYG9945	CABLE-POWER FEED TO P.T.O. WARNING LAMP								1				
46	AYG9946	HARNESS-P.T.O. WARNING LAMP								1				
47	NSS													
48	NSS													
49	PRC7329	CABLE-SPEEDOMETER ILLUMINATION								1				
50	BYG9147	HARNESS-INSTRUMENTS								1				
51	BYG9068	HARNESS-HEADER PANEL TO MAIN HARNESS								1				
	BYG9119	LINK-FUSED-INSPECTION SOCKET FEED								1				
	BYG9073	FUSEBOX-BLADE TYPE								1				
	RTC4501	FUSE-10AMP-BLADE TYPE								1				
	MYH1968	CABLE TIE-HEADER PANEL HARNESS TO ENGINE HARNESS	5340-66-128-4558							5				

GROUP QH/2



CAB WIRING AND FITTINGS - AMBULANCE VEHICLES ONLY

PERENTIE LAND ROVER PARTS LIST

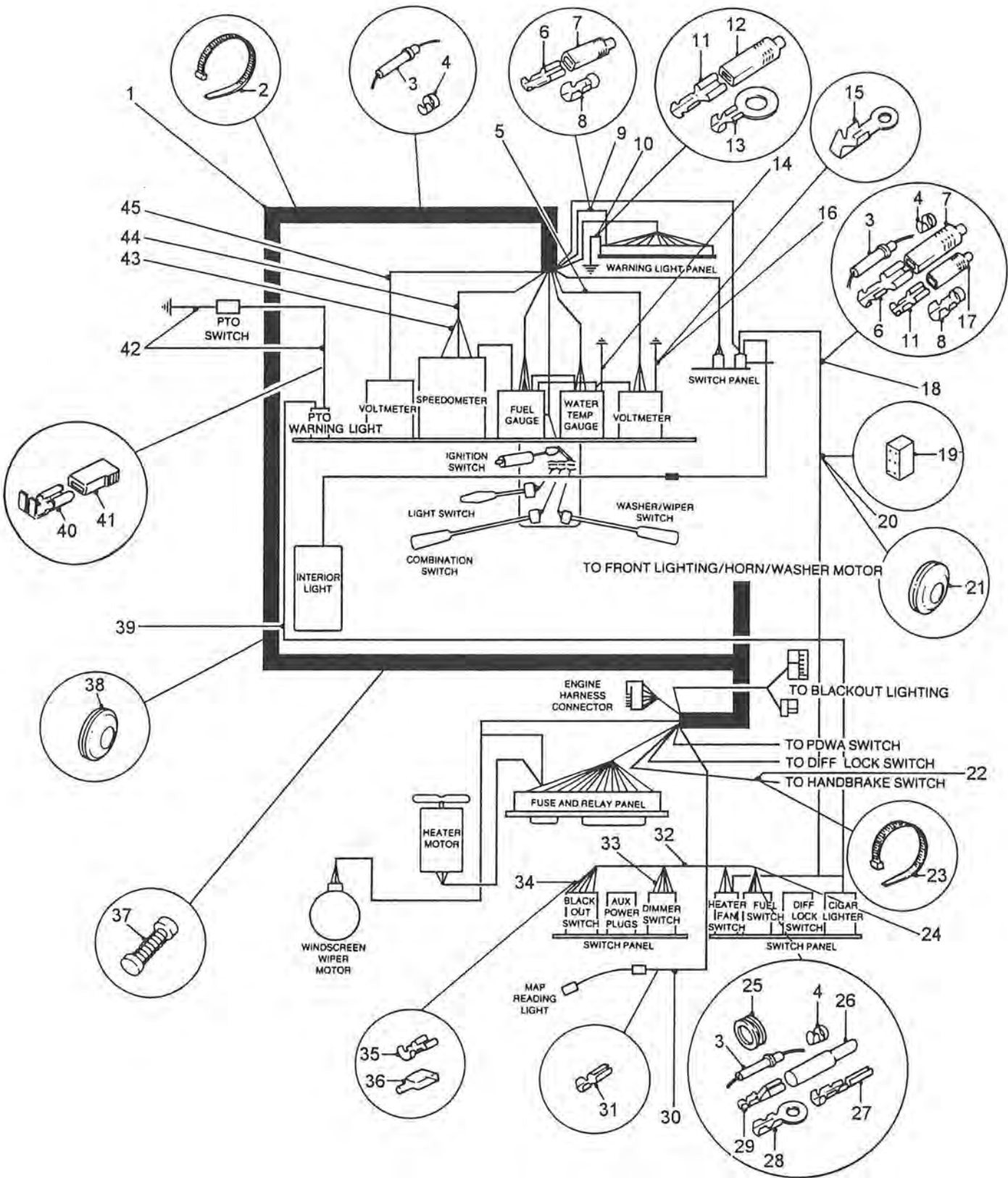
<u>ITEM</u>	<u>PART NO.</u>	<u>DESCRIPTION</u>	<u>NSN</u>	<u>ONLY DERIVATIVE CODE</u>										
				<u>2185</u>	<u>2186</u>	<u>2208</u>	<u>2209</u>	<u>2210</u>	<u>2211</u>	<u>2212</u>	<u>2219</u>	<u>CP</u>		
	QH /2/1	CAB WIRING AND FITTINGS - AMBULANCE VEHICLES												
	YWB10032	RELAY-HARNESS-HEADER PANEL TO MAIN HARNESS	5945-99-739-6093				1							
	SE105121L	SCREW-HARNESS RELAY MTG. BLOCK TO FUSEBOX & RELAY MTG. PANEL	5305-99-135-0429				1							
	WA105001L	WASHER-PLAIN	5310-99-122-3032				1							
	WL105001L	WASHER-LOCK	5310-99-977-1102				1							
	NH105041L	NUT	5310-66-098-4400				1							
	BYG9000	PLUG-AMBULANCE MODULE					1							
	YM242	HOUSING-CONNECTOR -FEMALE					1							
	HYM241	HOUSING-CONNECTOR -MALE					1							
	BYG9180	CONNECTOR-PLUG-MAIN HARNESS					1							
	PRC3095	CABLE-MAIN HARNESS TO PDWA SWITCH					1							
	BYG9140	CABLE-LINK-HEADLAMP OVERRIDE					1							
	MYH1780	CONNECTOR-LEAD TO MAIN HARNESS-6WD	5940-66-017-9989				1							
	MYH1780	CONNECTOR-REVERSE LEAD TO ENGINE HARNESS	5940-66-017-9989				1							

CHANGE POINT

ARN INTRODUCTION

- | | |
|---|--|
| 1 | FITMENT OF CONNECTOR PLUG TO ALLOW OPERATION OF TRAILER WARNING LAMP |
| 2 | BLADE TYPE FUSES |

GROUP QH/3

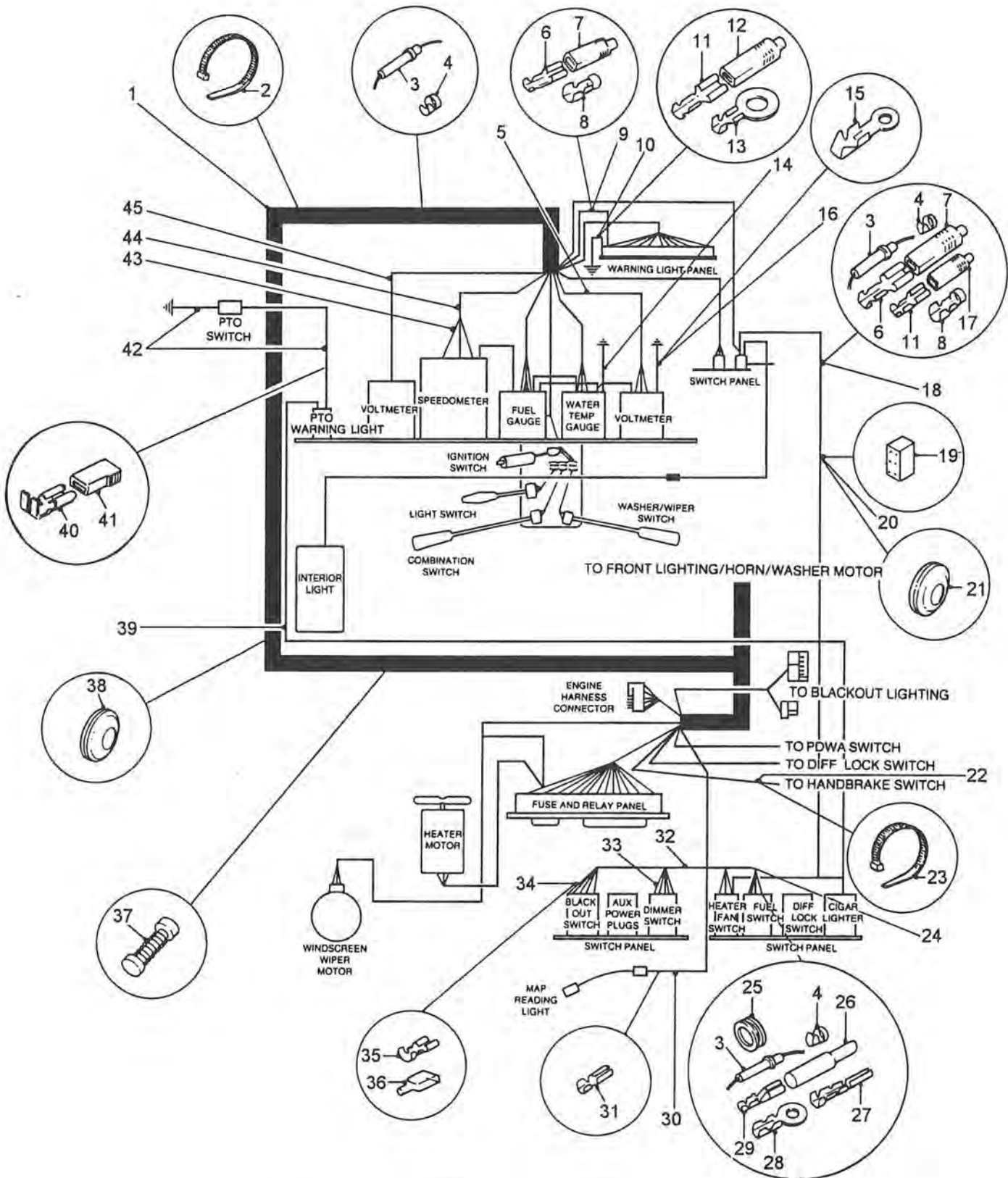


CAB WIRING AND FITTINGS - GMV & ERV ONLY

PERENTIE LAND ROVER PARTS LIST

QH /3/1	CAB WIRING AND FITTINGS - GMV & ERV ONLY				DERIVATIVE CODE								
	ITEM	PART NO.	DESCRIPTION	NSN	2185	2186	2208	2209	2210	2211	2212	2219	CP
1	PRC6757	HARNESS-MAIN-WITH BARREL FUSES						1	1				
	PRC7850	HARNESS-MAIN-WITH BLADE FUSES						1	1				01
	PRC8244	HARNESS-MAIN-WITH BLADE FUSES AND HEADLAMP DELAY						1	1				02
	PRC8384	HARNESS-MAIN-WITH BLADE FUSES, HEADLAMP DELAY AND WASHWIPE DELAY						1	1				03
	BYG9182	HARNESS-MAIN-WITH BLADE FUSES, HEADLAMP DELAY AND WASHWIPE DELAY						1	1				04
	BHA4460	CONNECTOR -MAIN HARNESS						2	2				
2	AAU3686	CABLE STRAP-HARNESS TO INNER DASH PANEL						2	2				
3	NSS							4	4				
4	NSS												
5	PRC3053	LEAD-VOLTMETER TO HARNESS						1	1				
6	VSS												
7	NSS												
8	MYH2565	TERMINAL	5940-66-128-4737					19	19				
9	AYG9896	LEAD-6WD INDICATOR POWER FEED						1	1				
10	AYG9629	LEAD-6WD SWITCH TO EARTH						1	1				
11	NSS												
12	NSS												

GROUP QH/3

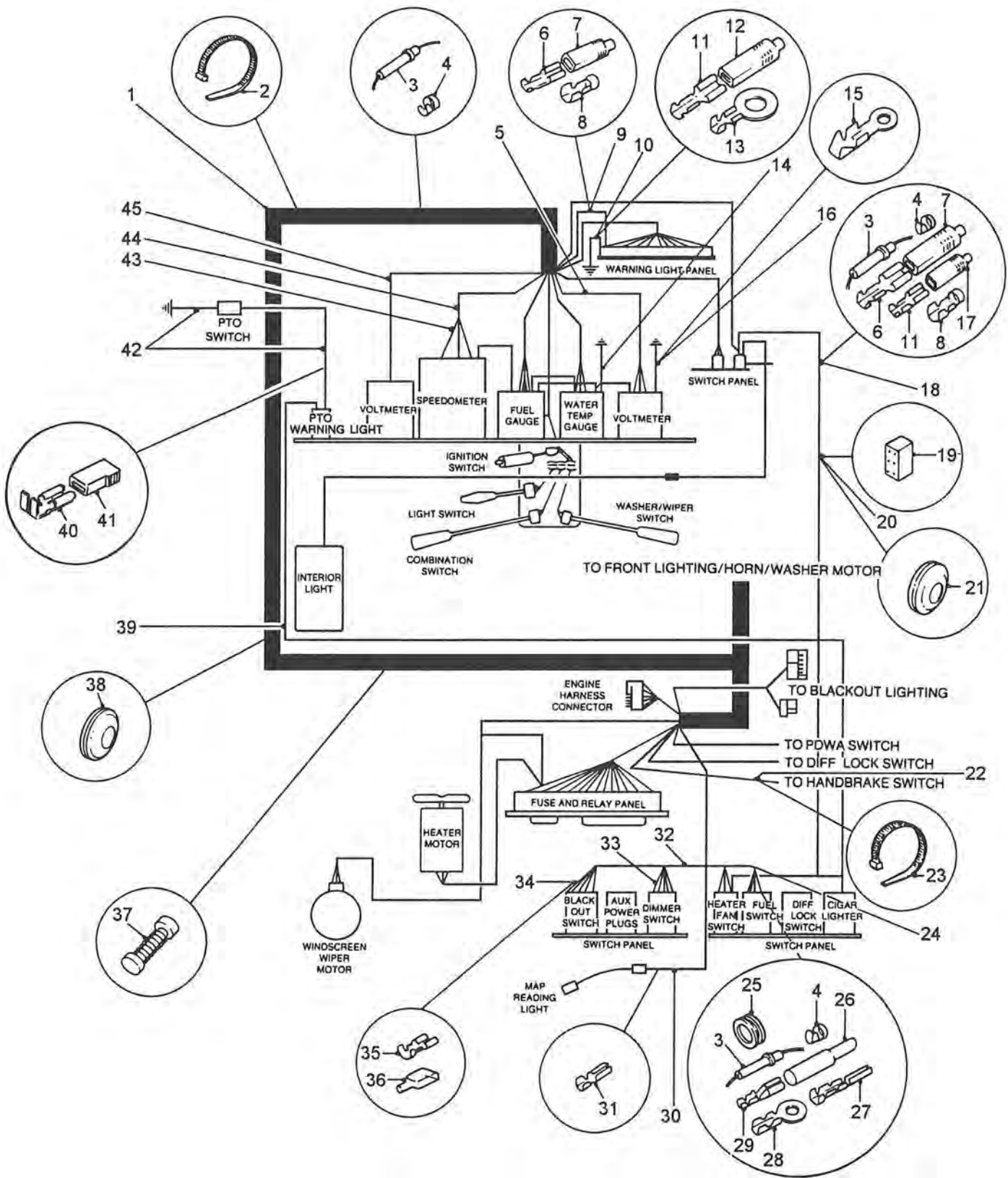


CAB WIRING AND FITTINGS - GMV & ERV ONLY

PERENTIE LAND ROVER PARTS LIST

QH /3/1	CAB WIRING AND FITTINGS - GMV & ERV ONLY				DERIVATIVE CODE								
	ITEM	PART NO.	DESCRIPTION	NSN	2185	2186	2208	2209	2210	2211	2212	2219	CP
	13	NSS											
	14	PRC3055	LEAD-TEMPERATURE GAUGE TO EARTH					1		1			
	15	NSS											
	16	AYG9830	CABLE-INSTRUMENT EARTH					1		1			
	17	NSS											
	18	AYG9899	HARNESS-CIGAR LIGHTER INTERIOR LIGHT, HEATER FAN SWITCHES					1		1			
	18	3YG9064	HARNESS-CIGAR LIGHTER INTERIOR LIGHT, HEATER FAN SWITCHES					1		1			01
	19	AYG9806	CONNECTOR-6 PIN-INTERIOR LIGHT CABLE					1		1			
	20	BYG9178	HARNESS-INTERIOR LAMP					1		1			
	21	RFR208	GROMMET-CABLE -INTERIOR LAMP	5325-66-089-5324				3		3			
	22	PRC4442	CABLE-HANDBRAKE SWITCH					1		1			
	23	DRC1538	CABLE TIE					4		4			
	24	BYG9358	HARNESS-FUEL SWITCH TO RELAY					1		1			
	25	NSS											
	26	NSS											
	27	NSS											
	28	NSS											
	29	NSS											
	30	AYG9731	HARNESS-MAP READING LIGHT					1		1			
	31	NSS											

GROUP QH/3

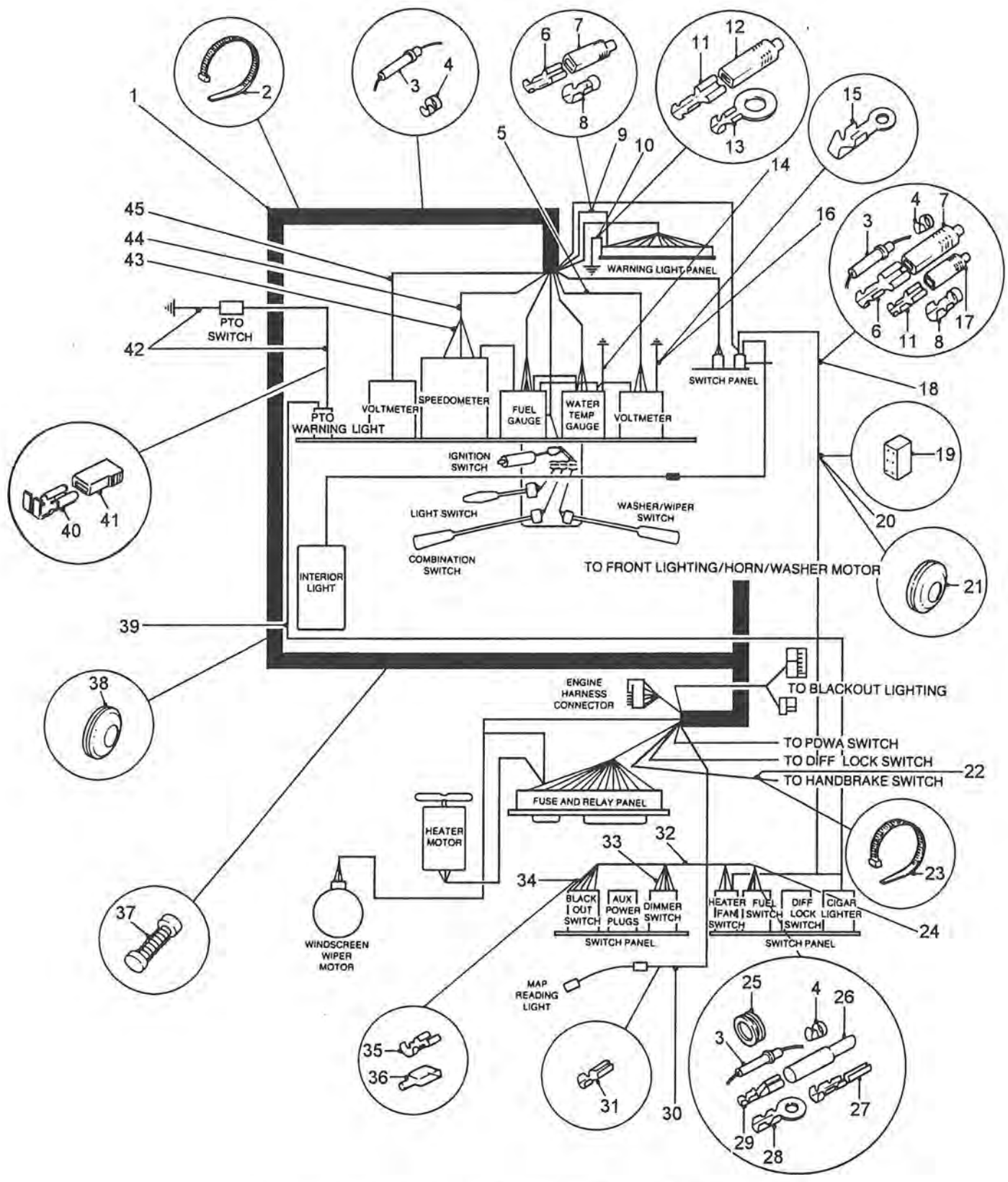


CAB WIRING AND FITTINGS - GMV & ERV ONLY

PERENTIE LAND ROVER PARTS LIST

ITEM	QH /3/1 PART NO.	DESCRIPTION	NSN	DERIVATIVE CODE										
				2185	2186	2208	2209	2210	2211	2212	2219	CP		
32	AYG9768	CABLE-DIMMER SWITCH TO MAIN HARNESS						1	1					
33	AYG9767	CABLE-FEED-DIMMER SWITCH						1	1					
	BYG9120	LINK-FUSED-DIMMER SWITCH						1	1					
34	BYG9357	CABLE-BLACKOUT LIGHT SWITCH						1	1					
35	NSS													
36	NSS													
37	PRC9096	RESISTOR-100 OHMS						1	1					
38	R276054	GROMMET-INNER DASH PANEL-MAIN HARNESS	5325-99-828-1012					1	1					
39	AYG9945	CABLE-POWER FEED TO P.T.O. WARNING LAMP						1						
40	NSS													
41	NSS													
42	AYG9946	HARNESS-P.T.O. WARNING LAMP						1						
43	PRC7329	CABLE-SPEEDOMETER ILLUMINATION						1	1					
44	3YG9147	HARNESS-INSTRUMENTS						1	1					
45	AYG9769	HARNESS-VOLTMETER 24V-FEED						1	1					
	PRC3095	CABLE-MAIN HARNESS TO PDWA SWITCH						1	1					
	MYH1780	CONNECTOR-LEAD TO MAIN HARNESS-6WD	5940-66-017-9989					1	1					
	MYH1780	CONNECTOR-REVERSE LEAD TO ENGINE HARNESS	5940-66-017-9989					1	1					

GROUP QH/3



CAB WIRING AND FITTINGS - GMV & ERV ONLY

PERENTIE LAND ROVER PARTS LIST

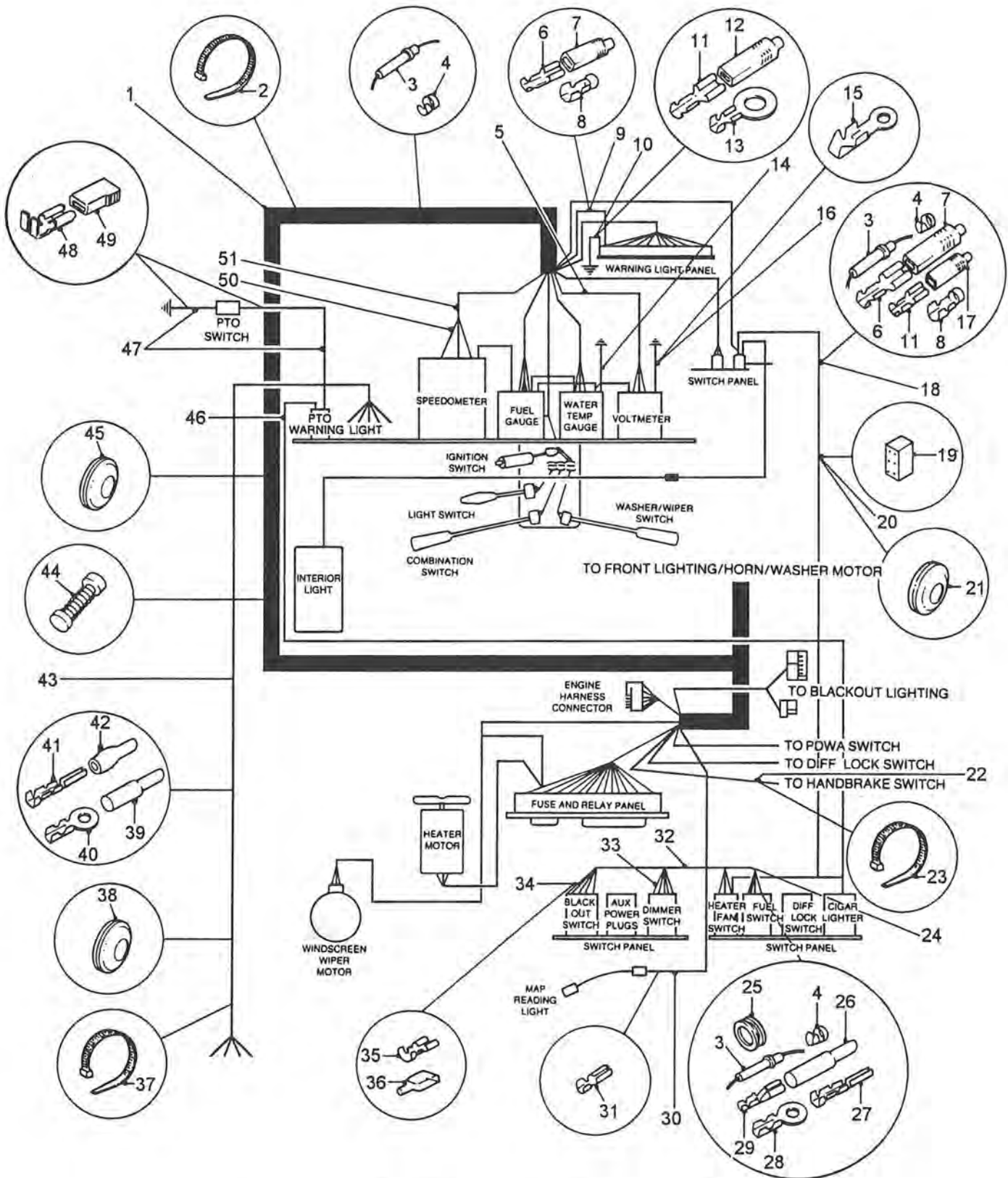
ITEM	PART NO.	DESCRIPTION	NSN	DERIVATIVE CODE											
				2185	2186	2208	2209	2210	2211	2212	2219	CP			
	QH /3/1	CAB WIRING AND FITTINGS - GMV & ERV ONLY													
	BYG9140	CABLE-LINK-HEADLAMP OVERRIDE						1	1						
	BYG9119	LINK-FUSED-INSPECTION SOCKET-FEED						1	1						
	BYG9073	FUSEBOX-BLADE TYPE						1	1						
	RTC4501	FUSE-10AMP-BLADE TYPE						1	1						
	HYG6094	GUARD-FOAM-MAIN HARNESS						1	1						
	AAU3686	CABLE STRAP-HARNESS & GUARD TO INNER DASH PANEL						1	1						
	BYG9031	HARNESS-24V/55A ALTERNATOR TO WARNING LIGHT MODULE & 24V VOLTMETER						1	1						
	YWB10032	RELAY-24V/55A ALTERNATOR HARNESS	5945-99-739-6093					1	1						
	SE105121L	SCREW-HARNESS RELAY MTG BLOCK TO FUSE BOX & RELAY MTG. PANEL	5305-99-135-0429					1	1						
	WA105001L	WASHER-PLAIN	5310-99-122-3032					1	1						
	WL105001L	WASHER-LOCK	5310-99-977-1102					1	1						
	NH105041L	NUT	5310-66-098-4400					1	1						
	AYH5256/300	SPIREWAP-24V/55A ALTERNATOR CABLE TO EARTH CABLE OVER CHASSIS CROSSMEMBER						1	1						
	BYG9180	CONNECTOR PLUG-MAIN HARNESS						1	1						

CHANGE POINT

ARN INTRODUCTION

- | | |
|---|--|
| 1 | 50-842 ELECTRONIC REPAIR VEHICLE - BLADE TYPE FUSES |
| 2 | INTRODUCTION HEADLAMP RELAY |
| 3 | INTRODUCTION WIPER DELAY SYSTEM |
| 4 | FITMENT OF CONNECTOR PLUG TO ALLOW OPERATION OF TRAILER WARNING LAMP |

GROUP QH/4

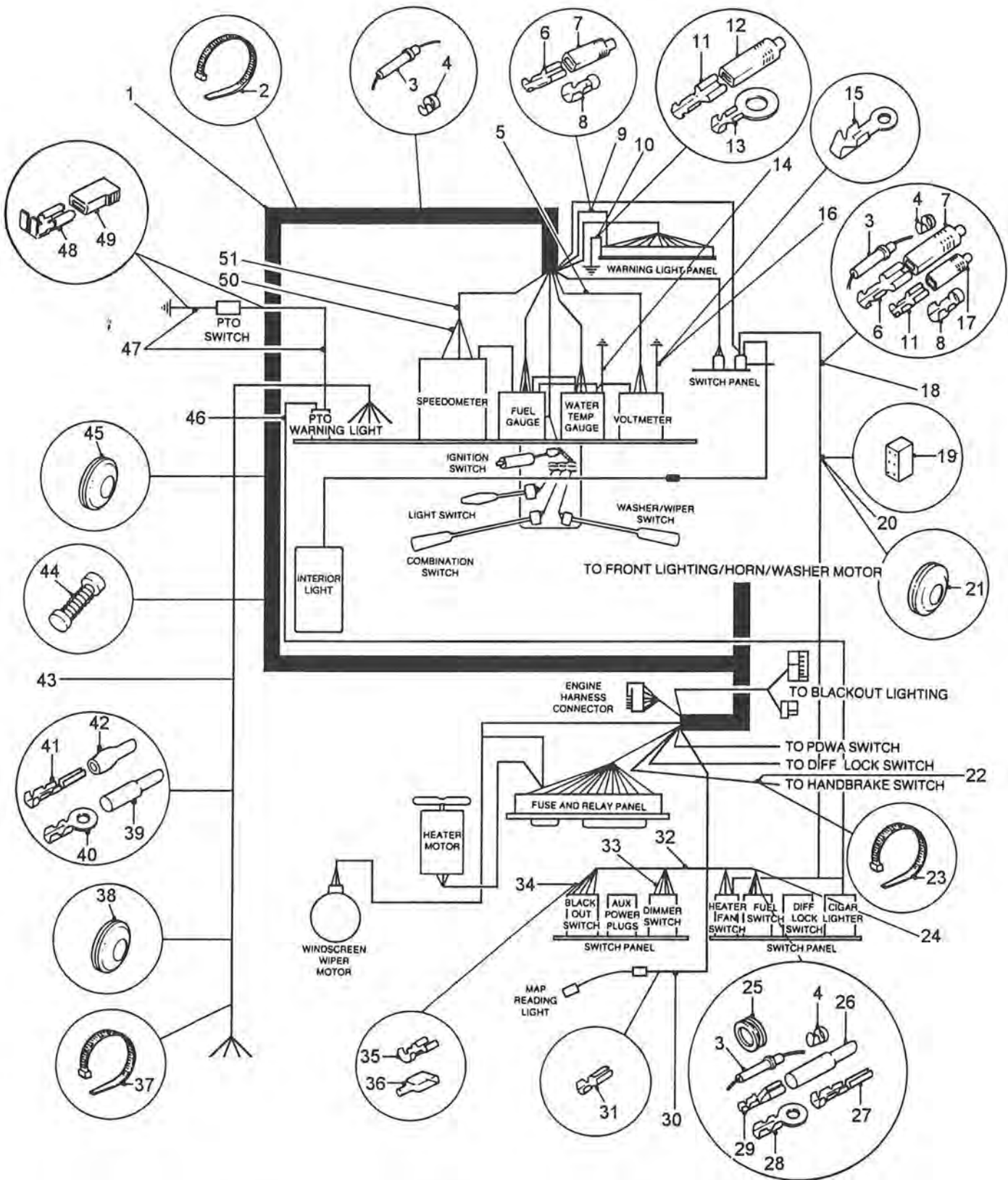


**CAB WIRING AND FITTINGS
- AIR DEFENCE VEHICLES ONLY**

PERENTIE LAND ROVER PARTS LIST

QH /4/1	CAB WIRING AND FITTINGS - AIR DEFENCE VEHICLES ONLY										
	ITEM	PART NO.	DESCRIPTION	NSN	DERIVATIVE CODE						CP
2185					2186	2208	2209	2210	2211	2212	
1	PRC6757	HARNESS-MAIN-WITH BARREL FUSES								1	
	PRC7850	HARNESS-MAIN-WITH BLADE FUSES								1	01
	PRC8244	HARNESS-MAIN-WITH BLADE FUSES AND HEADLAMP DELAY								1	02
	PRC8384	HARNESS-MAIN-WITH BLADE FUSES, HEADLAMP DELAY AND WASH WIPE DELAY								1	03
	JHA4460	CONNECTOR -MAIN HARNESS								2	
2	AAU3686	CABLE STRAP-HARNESS TO INNER DASH PANEL								2	
3	NSS										
4	NSS										
5	PRC3053	LEAD-VOLTMETER TO HARNESS								1	
6	NSS										
7	NSS										
8	MYH2565	TERMINAL	5940-66-128-4737							19	
9	YG9896	LEAD-6WD INDICATOR POWER FEED								1	
10	AYG9629	LEAD-6WD SWITCH TO EARTH								1	
11	NSS										
12	NSS										
13	NSS										
14	PRC3055	LEAD-TEMPERATURE GAUGE TO EARTH								1	

GROUP QH/4



**CAB WIRING AND FITTINGS
- AIR DEFENCE VEHICLES ONLY**

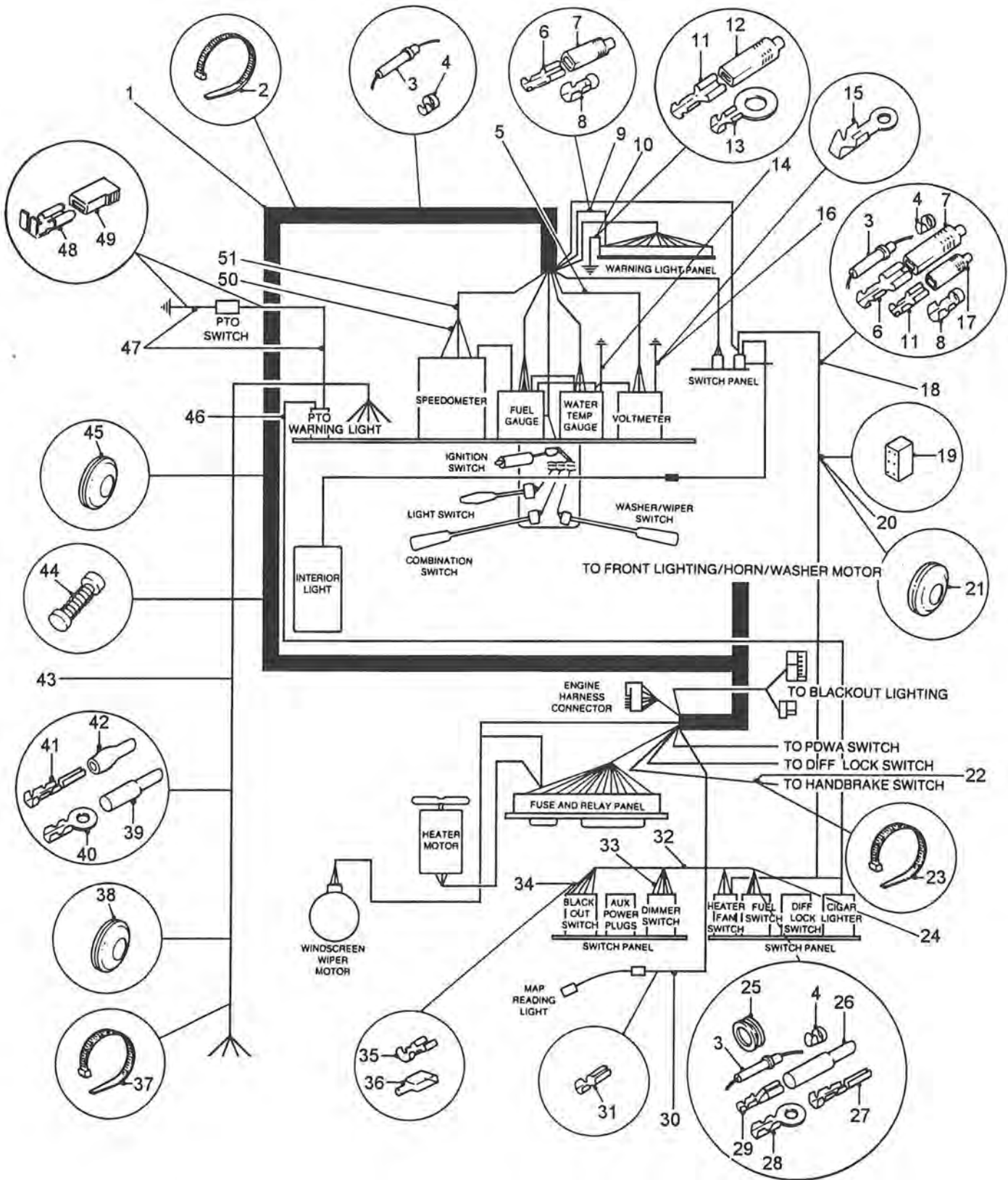
PERENTIE LAND ROVER PARTS LIST

QH /4/1 CAB WIRING AND FITTINGS - AIR DEFENCE VEHICLES ONLY

DERIVATIVE CODE

<u>ITEM</u>	<u>PART NO.</u>	<u>DESCRIPTION</u>	<u>NSN</u>	<u>2185</u>	<u>2186</u>	<u>2208</u>	<u>2209</u>	<u>2210</u>	<u>2211</u>	<u>2212</u>	<u>2219</u>	<u>CP</u>
15	NSS											
16	AYG9830	CABLE-INSTRUMENT EARTH								1		
17	NSS											
18	AYG9899	HARNESS-CIGAR LIGHTER INTERIOR LIGHT, HEATER FAN SWITCHES								1		
18	BYG9064	HARNESS-CIGAR LIGHTER INTERIOR LIGHT, HEATER FAN SWITCHES								1		01
19	AYG9806	CONNECTOR-6 PIN-INTERIOR LIGHT CABLE								1		
20	BYG9178	HARNESS-INTERIOR LAMP								1		
21	RFR208	GROMMET-CABLE -INTERIOR LAMP	5325-66-089-5324							3		
22	PRC4442	CABLE-HANDBRAKE SWITCH								1		
23	DRC1538	CABLE TIE								4		
24	BYG9358	HARNESS-FUEL SWITCH TO RELAY								1		
25	NSS											
26	NSS											
27	SS											
28	NSS											
29	NSS											
30	AYG9731	HARNESS-MAP READING LIGHT								1		
31	NSS											
32	AYG9768	CABLE-DIMMER SWITCH TO MAIN HARNESS								1		
33	AYG9767	CABLE-FEED-DIMMER SWITCH								1		

GROUP QH/4

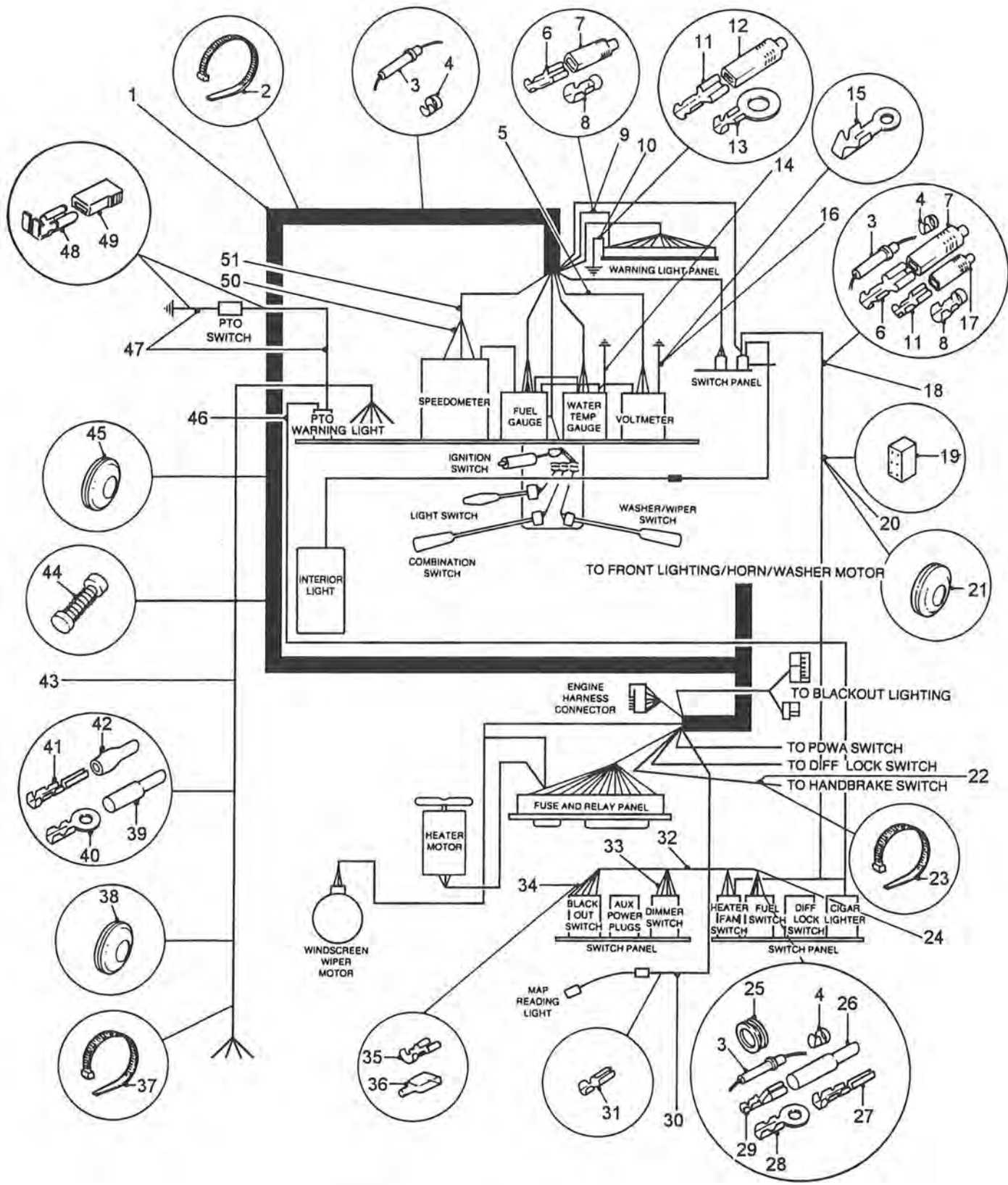


**CAB WIRING AND FITTINGS
- AIR DEFENCE VEHICLES ONLY**

PERENTIE LAND ROVER PARTS LIST

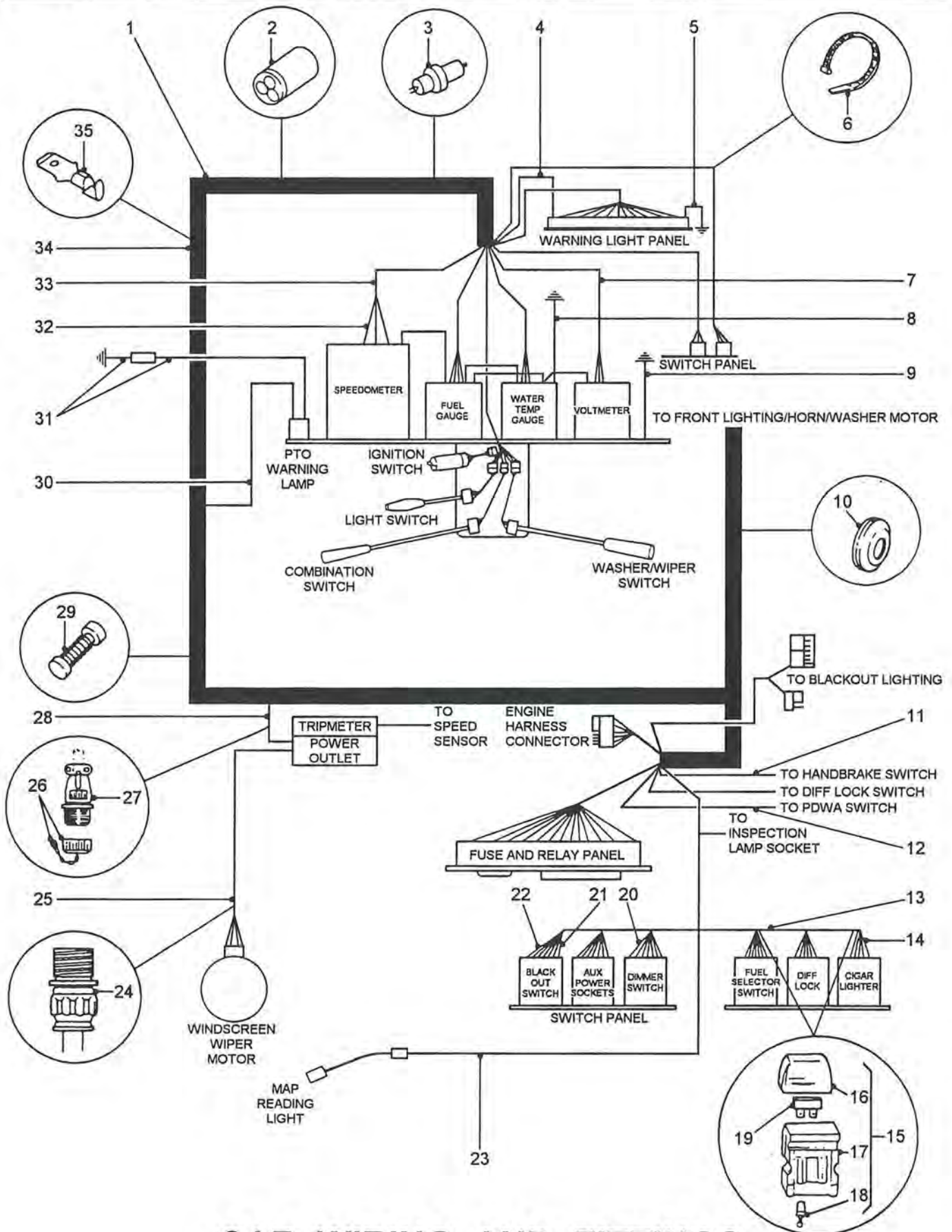
ITEM	PART NO.	DESCRIPTION	NSN	DERIVATIVE CODE							CP
				2185	2186	2208	2209	2210	2211	2212	
34	BYG9357	CABLE-BLACKOUT LIGHT SWITCH								1	
35	NSS										
36	NSS										
37	MYH1940	CABLE TIE-SUPPLEMENTARY HARNESS	5340-99-618-3776							6	
38	R269257	GROMMET-HARNESS	5325-99-828-1011							1	
39	NSS										
40	NSS										
41	NSS										
42	NSS										
43	AYG9841	HARNESS-SUPP. DISTRIBUTION BOX, AMMETER & HOURMETER								1	
44	PRC9096	RESISTOR-100 OHMS								1	
45	R276054	GROMMET-INNER DASH PANEL-MAIN HARNESS	5325-99-828-1012							1	
46	AYG9945	CABLE-POWER FEED TO P.T.O. WARNING LAMP								1	
47	BYG9147	HARNESS-INSTRUMENTS								1	
48	NSS										
49	SS										
50	PRC7329	CABLE-SPEEDOMETER ILLUMINATION								1	
51	BYG9147	HARNESS-INSTRUMENTS								1	
	PRC3095	CABLE-MAIN HARNESS TO PDWA SWITCH								1	
	MYH1780	CONNECTOR-LEAD TO MAIN HARNESS-6WD	5940-66-017-9989							1	
	MYH1780	CONNECTOR- REVERSE LEAD TO ENGINE HARNESS	5940-66-017-9989							1	

GROUP QH/4



**CAB WIRING AND FITTINGS
- AIR DEFENCE VEHICLES ONLY**

GROUP QH/5



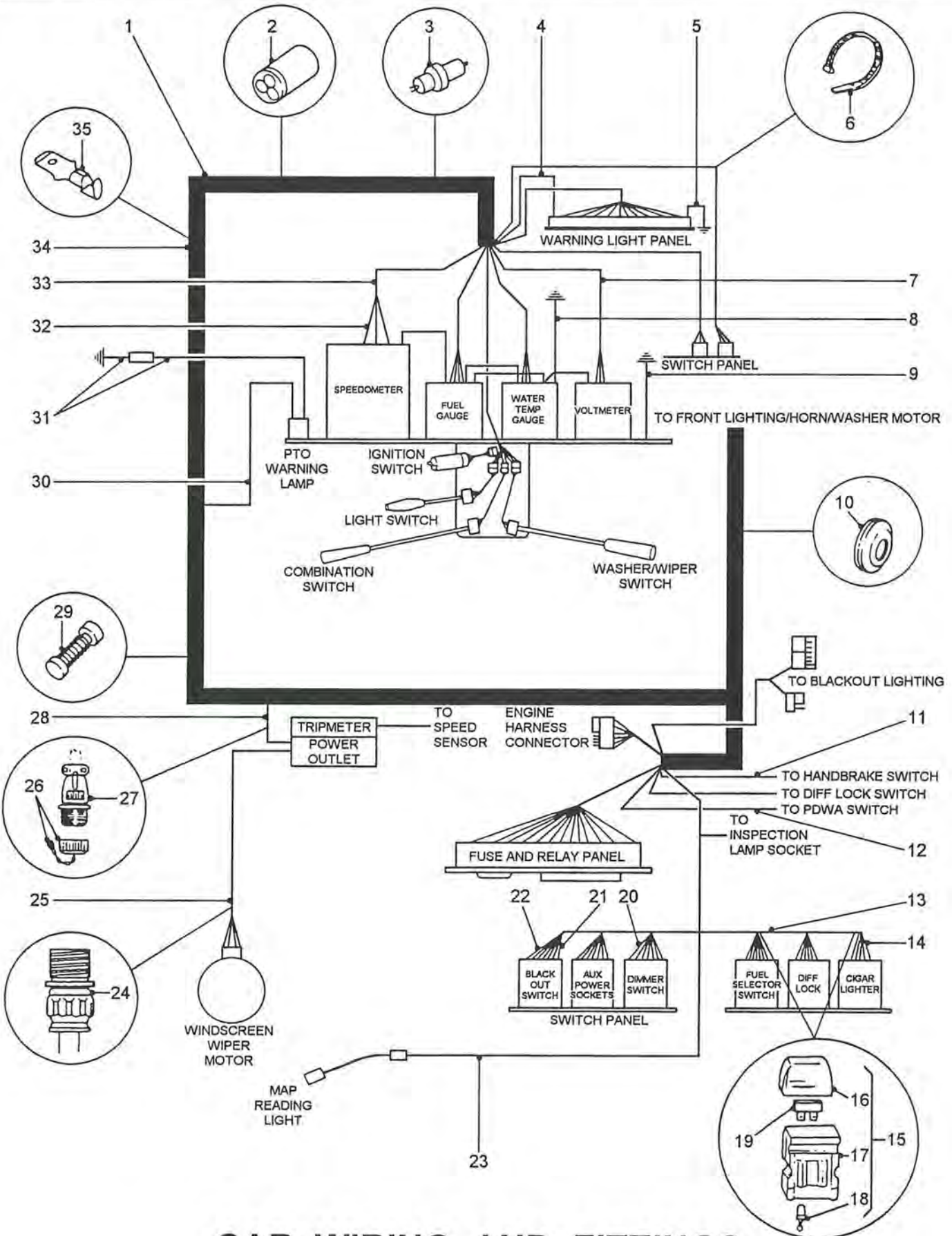
CAB WIRING AND FITTINGS - LRPV ONLY

PERENTIE LAND ROVER PARTS LIST

QH /5/1 CAB WIRING AND FITTINGS - LRPV ONLY

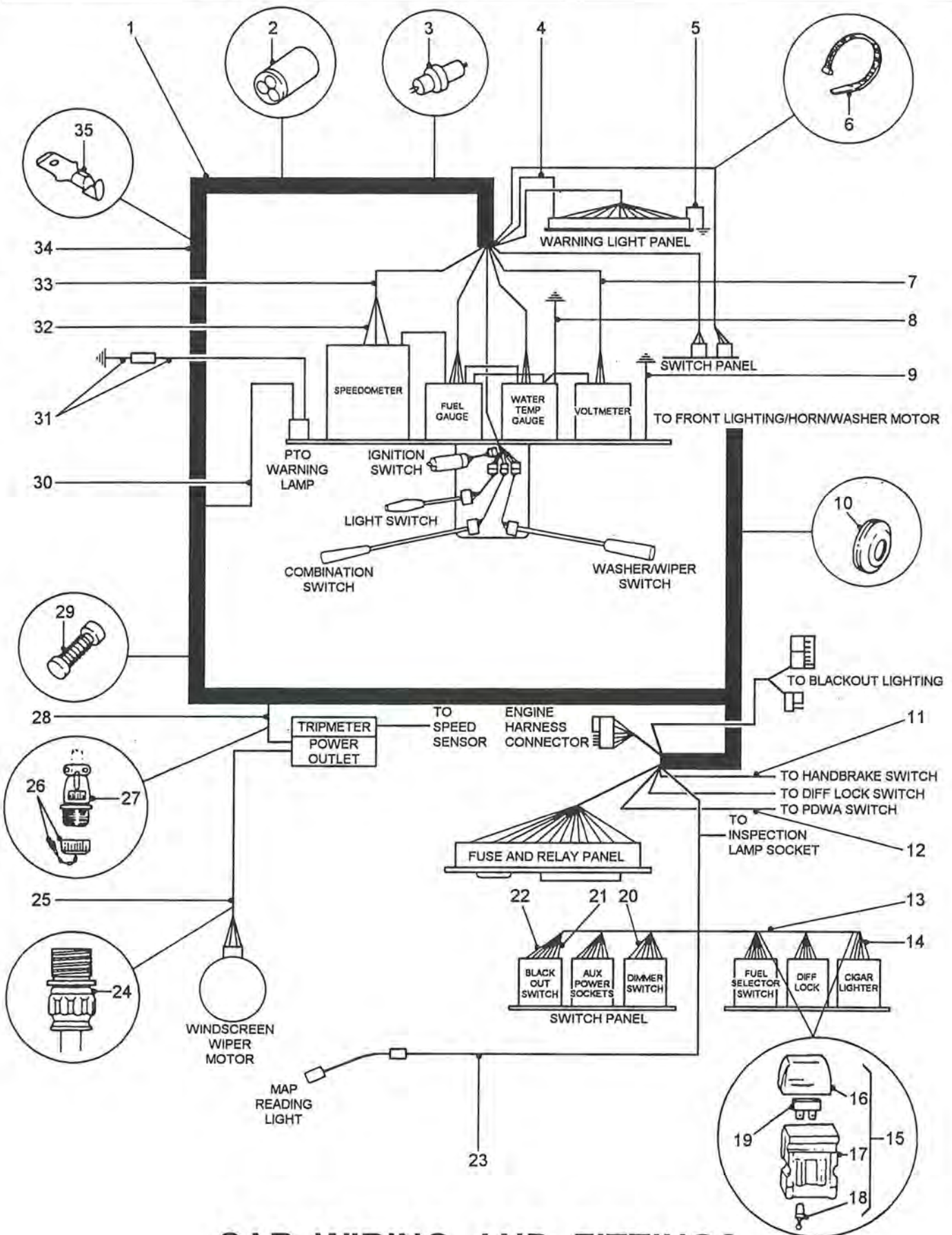
ITEM	PART NO.	DESCRIPTION	NSN	DERIVATIVE CODE							CP
				2185	2186	2208	2209	2210	2211	2212	
1	BYG9059	HARNESS-MAIN-LRPV								1	
2	BHA4460	CONNECTOR -MAIN HARNESS								2	
3	AAU5034	DIODE								1	
4	AYG9896	LEAD-6WD INDICATOR POWER FEED								1	
5	AYG9629	LEAD-6WD SWITCH TO EARTH								1	
6	AAU3686	CABLE STRAP-FUEL HARNESS								2	
	AFU1090	CLIP-HARNESS TO INNER VALANCE								4	
	AAU3686	CABLE STRAP-HARNESS TO INNER DASH VALANCE								2	
7	PRC3053	LEAD-VOLTMETER TO HARNESS								1	
8	PRC3055	LEAD-TEMPERATURE GAUGE TO EARTH								1	
9	AYG9830	CABLE-INSTRUMENT EARTH								1	
10	R276054	GROMMET-INNER DASH PANEL-MAIN HARNESS	5325-99-828-1012							1	
11	PRC4442	CABLE-HANDBRAKE SWITCH								1	
	DRC1538	CABLE TIE-HANDBRAKE SWITCH CABLE								4	
12	PRC3095	CABLE-MAIN HARNESS TO PDWA SWITCH								1	
13	BYG9358	HARNESS-FUEL SWITCH TO RELAY								1	

GROUP QH/5



CAB WIRING AND FITTINGS - LRPV ONLY

GROUP QH/5

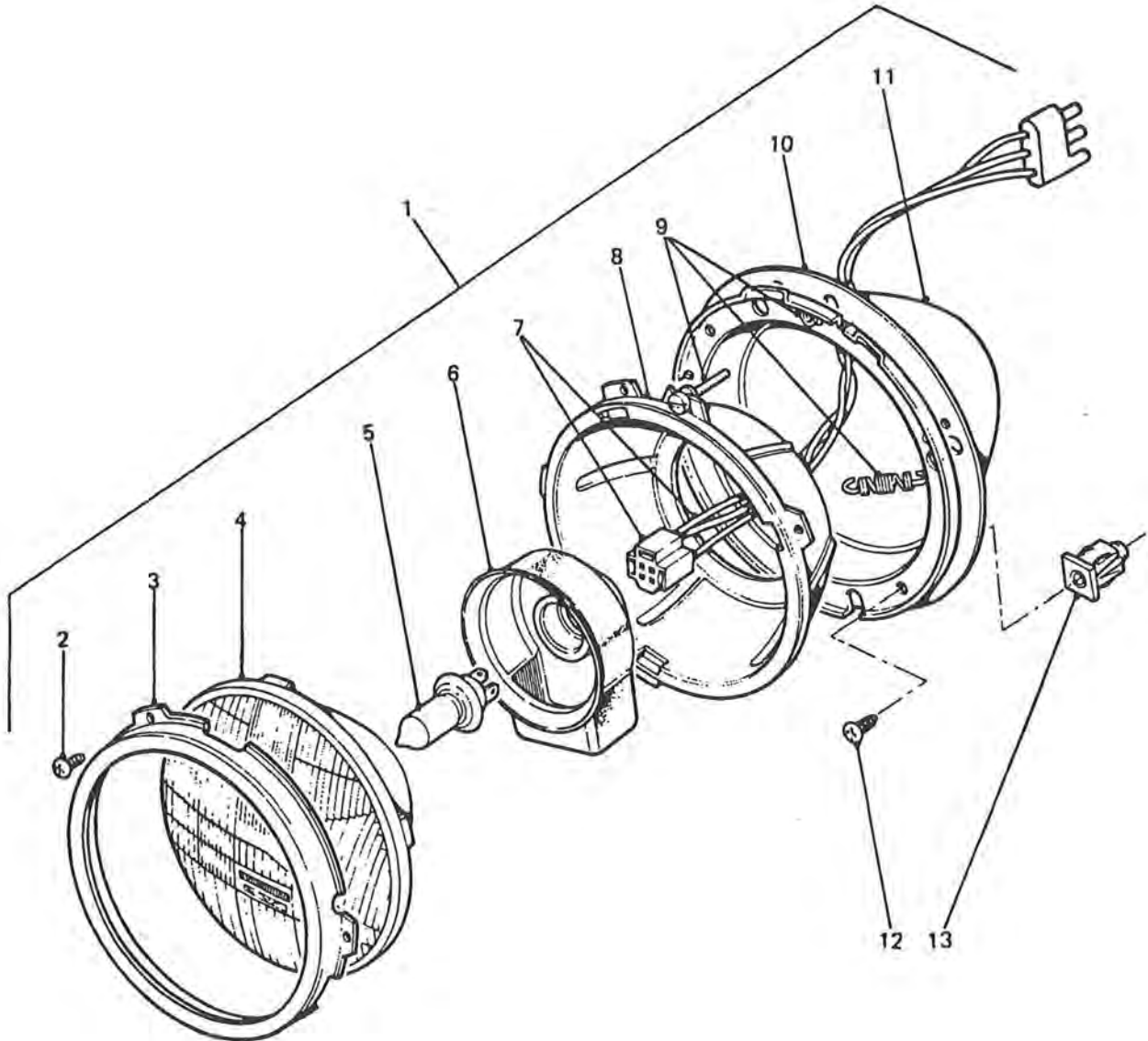


CAB WIRING AND FITTINGS - LRPV ONLY

PERENTIE LAND ROVER PARTS LIST

<u>ITEM</u>	<u>PART NO.</u>	<u>DESCRIPTION</u>	<u>NSN</u>	<u>DERIVATIVE CODE</u>								
				<u>2185</u>	<u>2186</u>	<u>2208</u>	<u>2209</u>	<u>2210</u>	<u>2211</u>	<u>2212</u>	<u>2219</u>	<u>CP</u>
	MYH3389	NUT									4	
28	BYG9060	HARNESS-DASH PLUG TO MAIN HARNESS									1	
29	PRC9096	RESISTOR-100 OHMS									1	
30	AYG9945	CABLE-POWER FEED TO P.T.O. WARNING LAMP									1	
31	AYG9946	HARNESS-P.T.O. WARNING LAMP									1	
32	PRC7329	CABLE-SPEEDOMETER ILLUMINATION									1	
33	JYG9147	HARNESS-INSTRUMENTS									1	
34	BYG9140	CABLE-LINK-HEADLAMP OVERRIDE									1	
	MYH2697	'P' CLIP-MAIN HARNESS TO RH CHASSIS SIDEMEMBER	5340-66-128-4546								1	
	MYH3337	SCREW	5305-66-128-5341								1	
<u>CHANGE POINT</u>		<u>ARN INTRODUCTION</u>										

GROUP QJA



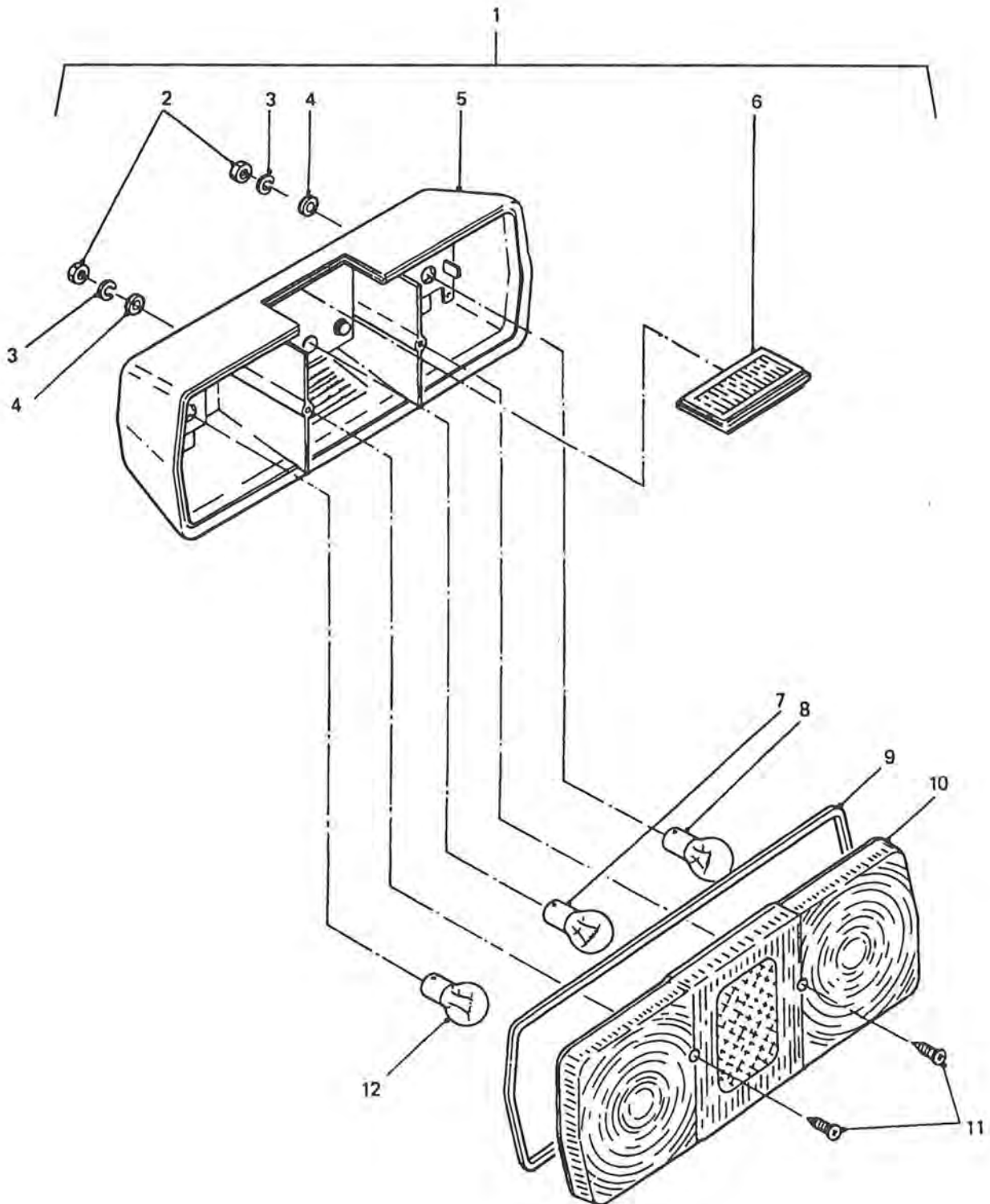
HEADLAMP ASSEMBLY

PERENTIE LAND ROVER PARTS LIST

<u>ITEM</u>	<u>PART NO.</u>	<u>DESCRIPTION</u>	<u>NSN</u>	<u>DERIVATIVE CODE</u>								
				<u>2185</u>	<u>2186</u>	<u>2208</u>	<u>2209</u>	<u>2210</u>	<u>2211</u>	<u>2212</u>	<u>2219</u>	<u>CP</u>
1	BAU2144	HEADLAMP ASSY (INCLUDES ITEMS 2-11)	6220-99-755-8187	2	2	2	2	2	2	2	2	2
2	AB606021L	DRIVE SCREW	5305-66-098-2815	6	6	6	6	6	6	6	6	6
3	PRC7992	RIM-HEADLAMP	6220-99-804-5566	2	2	2	2	2	2	2	2	2
4	RTC4615	LIGHT UNIT	6220-66-128-5860	2	2	2	2	2	2	2	2	2
5	GLB472	BULB 60/55 WATT	6240-66-108-4835	2	2	2	2	2	2	2	2	2
6	R156206	COVER-SEALING	6220-99-827-5264	2	2	2	2	2	2	2	2	2
7	BAU2110	ADAPTOR & CABLE	6220-99-803-3878	2	2	2	2	2	2	2	2	2
8	27H6481L	RIM-SEATING		2	2	2	2	2	2	2	2	2
9	BHM7058L	KIT-SCREWS		2	2	2	2	2	2	2	2	2
10	R531586	GASKET	6220-99-805-4311	2	2	2	2	2	2	2	2	2
11	NSS											
12	AB608047	SCREW		8	8	8	8	8	8	8	8	8
13	R79051	NUT-LOKUT	5310-99-138-0422	8	8	8	8	8	8	8	8	8
	HYM438	PROTECTOR KIT-HEADLAMP	6220-66-134-9948	1	1	1	1	1	1	1	1	1

CHANGE POINT

ARN INTRODUCTION

GROUP QJB

**REAR STOP, TAIL, TURN INDICATOR,
NUMBER PLATE AND REVERSE LAMP**

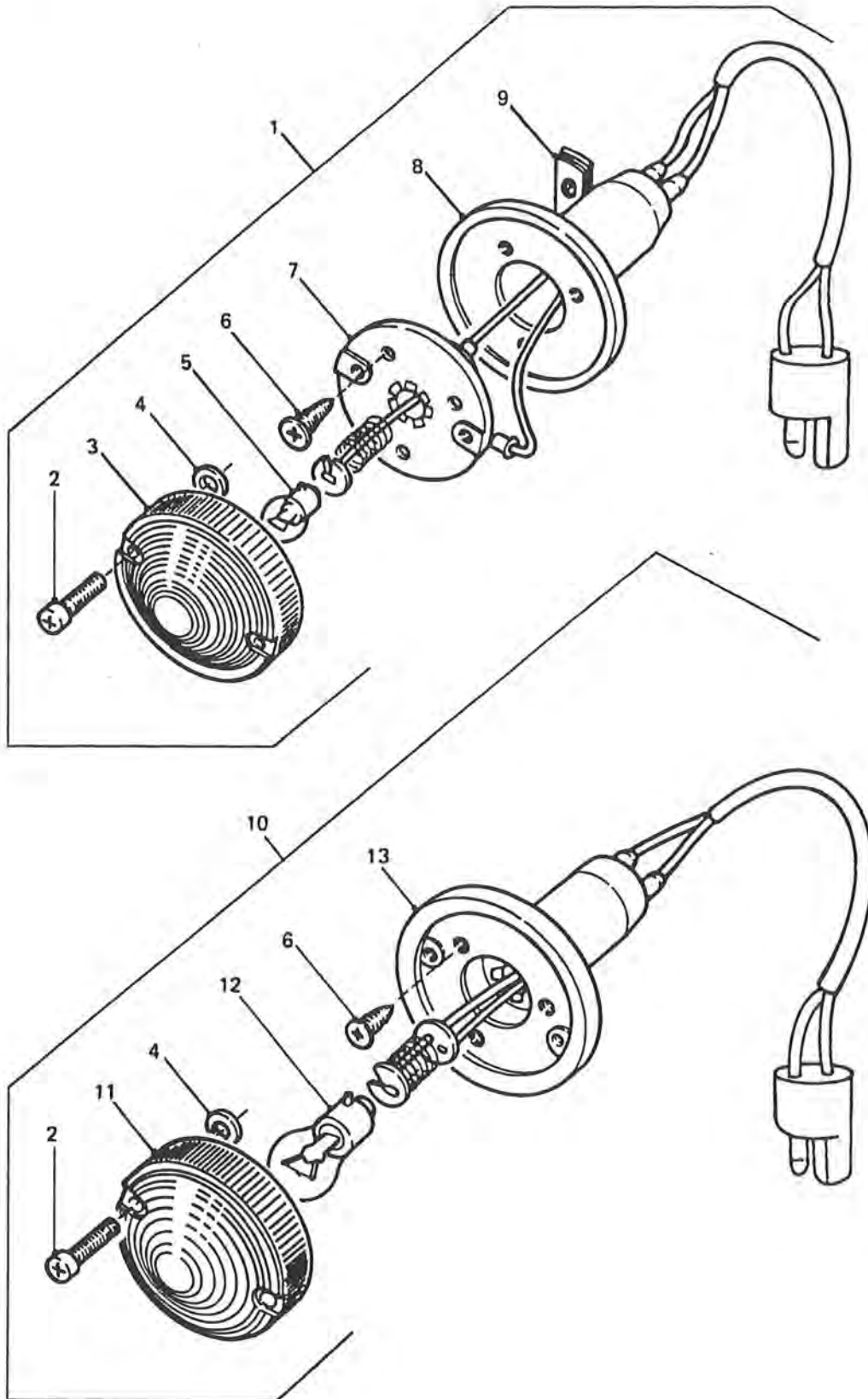
PERENTIE LAND ROVER PARTS LIST

<u>ITEM</u>	<u>PART NO.</u>	<u>DESCRIPTION</u>	<u>NSN</u>	<u>DERIVATIVE CODE</u>								<u>CP</u>
				<u>2185</u>	<u>2186</u>	<u>2208</u>	<u>2209</u>	<u>2210</u>	<u>2211</u>	<u>2212</u>	<u>2219</u>	
1	AYG9552	REAR LIGHT ASSY (INCLUDES ITEMS 2-12)	6220-66-112-9597	2	2	2	2	2	2	2	2	2
2	NH604041L	NUT	5310-66-019-3956	4	4	4	4	4	4	4	4	4
3	WM600041L	WASHER-LOCK		4	4	4	4	4	4	4	4	4
4	WA106041L	WASHER-PLAIN	5310-66-098-4440	4	4	4	4	4	4	4	4	4
5	NSS											
6	HYL8898	LENS-NUMBER PLATE		2	2	2	2	2	2	2	2	2
7	HYL8644	GLOBE-12V, 21/6W	6240-66-022-3583	2	2	2	2	2	2	2	2	2
8	HYL8641	GLOBE-12V, 10W	6240-66-022-9434	2	2	2	2	2	2	2	2	2
9	HYL8670	GASKET-LENS	5330-66-054-8813	2	2	2	2	2	2	2	2	2
10	HYL8584	LENS	6220-66-112-9598	2	2	2	2	2	2	2	2	2
11	NSS											
12	GLB382	GLOBE-12V, 21W-STOP TAIL	6240-66-010-8161	2	2	2	2	2	2	2	2	2
	WM600041L	WASHER-LOCK-REAR LAMP TO TOOL BOXES		4	4	4	4	4	4			4

CHANGE POINT

ARN INTRODUCTION

GROUP QJC



FRONT PARK AND TURN INDICATOR LAMPS

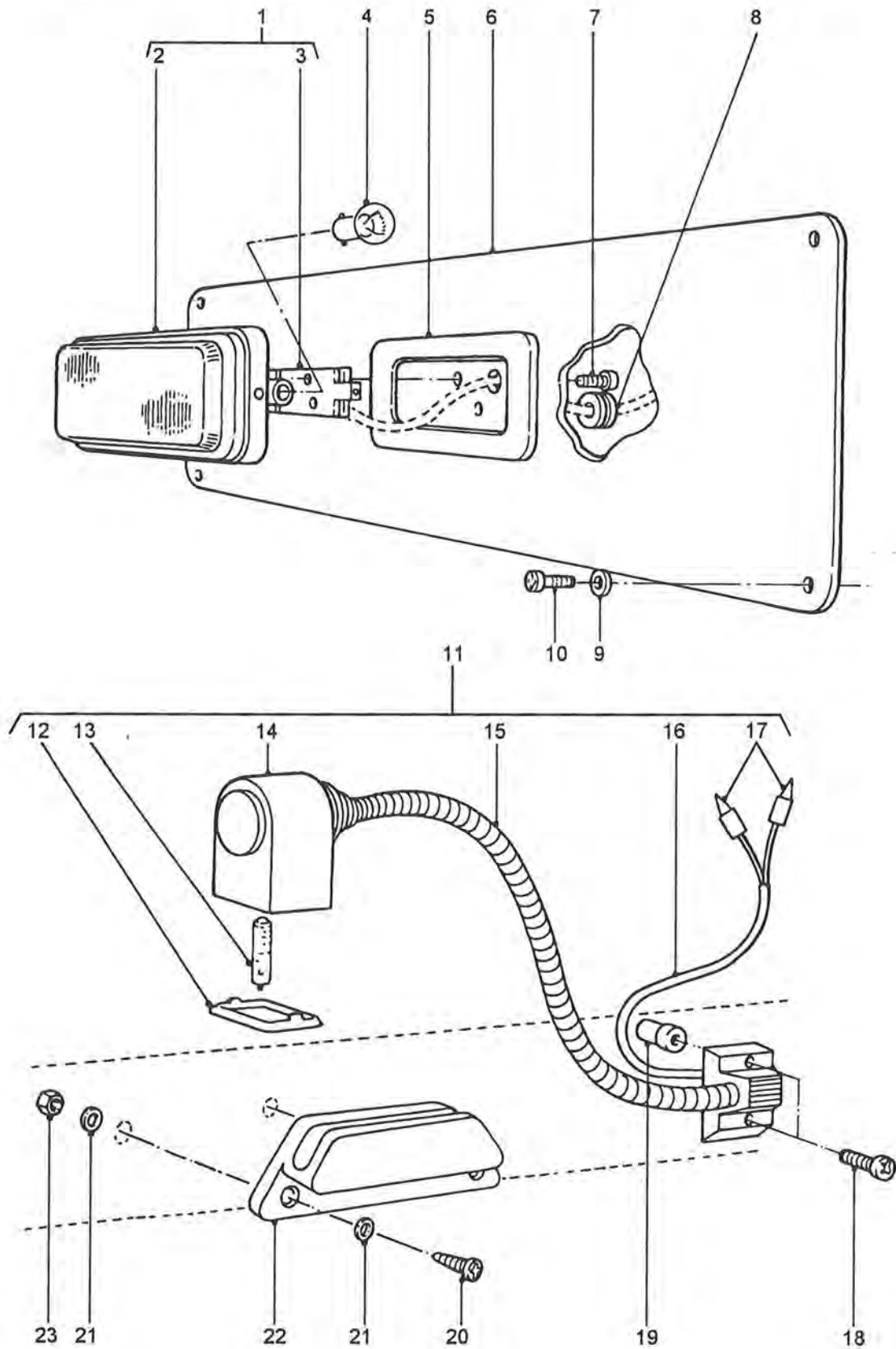
PERENTIE LAND ROVER PARTS LIST

<u>ITEM</u>	<u>QJC /1/1</u> <u>PART NO.</u>	<u>FRONT PARK AND TURN INDICATOR LAMPS</u> <u>DESCRIPTION</u>	<u>NSN</u>	<u>DERIVATIVE CODE</u>							
				<u>2185</u>	<u>2186</u>	<u>2208</u>	<u>2209</u>	<u>2210</u>	<u>2211</u>	<u>2212</u>	<u>2219 CP</u>
1	RTC5012	SIDE LAMP (INCLUDES ITEMS 2-9)	6220-66-095-8576	2	2	2	2	2	2	2	2
2	R608004	SCREW/WASHER	5305-99-831-1505	4	4	4	4	4	4	4	4
3	R589284	LENS-SIDE LAMP	6220-66-095-8574	2	2	2	2	2	2	2	2
4	NSS	USE ITEM 2									
5	R570822	GLOBE-12V, 6W	6240-99-995-3248	2	2	2	2	2	2	2	2
6	AB606041L	SCREW	5305-99-950-4416	6	6	6	6	6	6	6	6
7	NSS										
8	NSS										
9	AK606021L	NUT-SPRING	5310-99-739-5282	6	6	6	6	6	6	6	6
10	RTC5013	FLASHER LAMP-FRONT	6220-99-828-7807	2	2	2	2	2	2	2	2
11	R589285	LENS-FLASHER LAMP	6220-99-828-7809	2	2	2	2	2	2	2	2
12	GLB382	GLOBE-12V, 21W	6240-66-010-8161	2	2	2	2	2	2	2	2
13	NSS										
	AB608047	SCREW-FRONT & SIDE LAMPS TO WING NOSE PANEL		12	12	12	12	12	12	12	12

CHANGE POINT

ARN INTRODUCTION

GROUP QJD



INTERIOR LAMP AND MAP READING LAMP – CAB

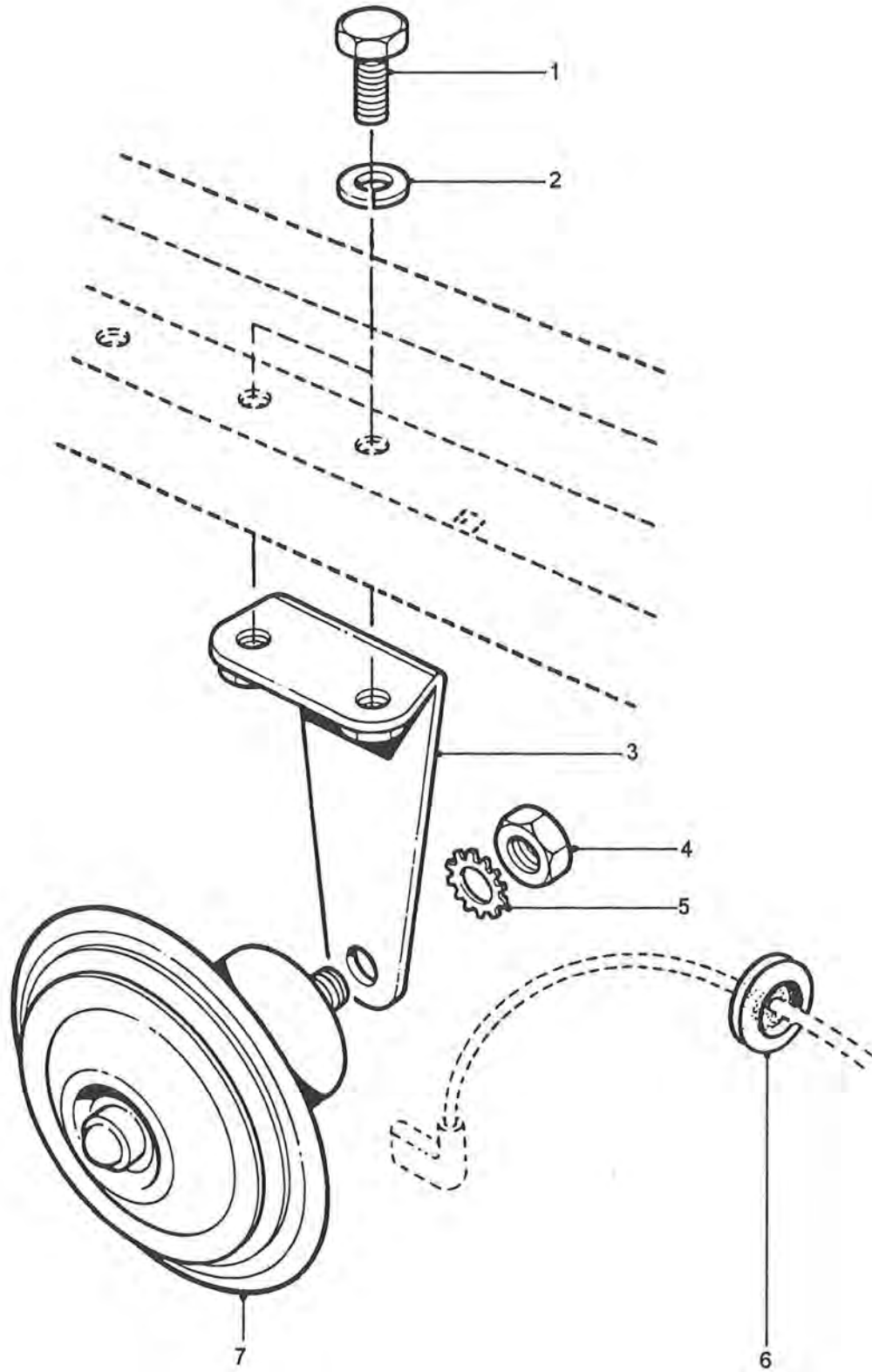
PERENTIE LAND ROVER PARTS LIST

ITEM	QJD /1/1 PART NO.	INTERIOR LAMP AND MAP READING LAMP - CAB DESCRIPTION	NSN	DERIVATIVE CODE								
				2185	2186	2208	2209	2210	2211	2212	2219	CP
1	STC251	LAMP-INTERIOR	6220-66-128-6113	1	1	1	1	1	1	1	1	
2	NSS											
3	NSS											
4	GLB382	GLOBE-12V, 21W	6240-66-010-8161	1	1	1	1	1	1	1	1	
5	MWC9601	GASKET-LAMP		1	1	1	1	1	1	1	1	
6	HYG3497	PLATE-COVER		1	1	1	1	1	1	1	1	
7	SE104121L	SCREW		2	2	2	2	2	2	2	2	
8	R312856	GROMMET	5325-66-089-5324	1	1	1	1	1	1	1	1	
9	WL105004	WASHER-LOCK	5310-66-128-5784	6	6	6	6	6	6	6	6	
10	SE105204	SCREW	5305-66-128-4955	6	6	6	6	6	6	6	6	
11	AYG9759	MAP LIGHT	6220-66-128-4245	1	1	1	1	1	1	1	1	1
12	NSS											
13	YL125	GLOBE-MAP LIGHT	6240-66-128-4237	1	1	1	1	1	1	1	1	1
14	NSS											
15	NSS											
16	NSS											
17	NSS											
18	SE104164	SCREW	5305-66-128-5817	2	2	2	2	2	2	2	2	2
19	MM104301	RIVNUT		2	2	2	2	2	2	2	2	2
20	SE104204	SCREW	5305-66-128-4574	2	2	2	2	2	2	2	2	2
21	WA104004L	WASHER-PLAIN	5310-99-550-3198	4	4	4	4	4	4	4	4	4
22	R392954	HOOK-RETAINING	5340-66-128-5862	1	1	1	1	1	1	1	1	1
23	NY104041L	NUT-NYLOC	5310-99-119-3324	2	2	2	2	2	2	2	2	2

CHANGE POINT

ARN INTRODUCTION

GROUP QJE



HORN

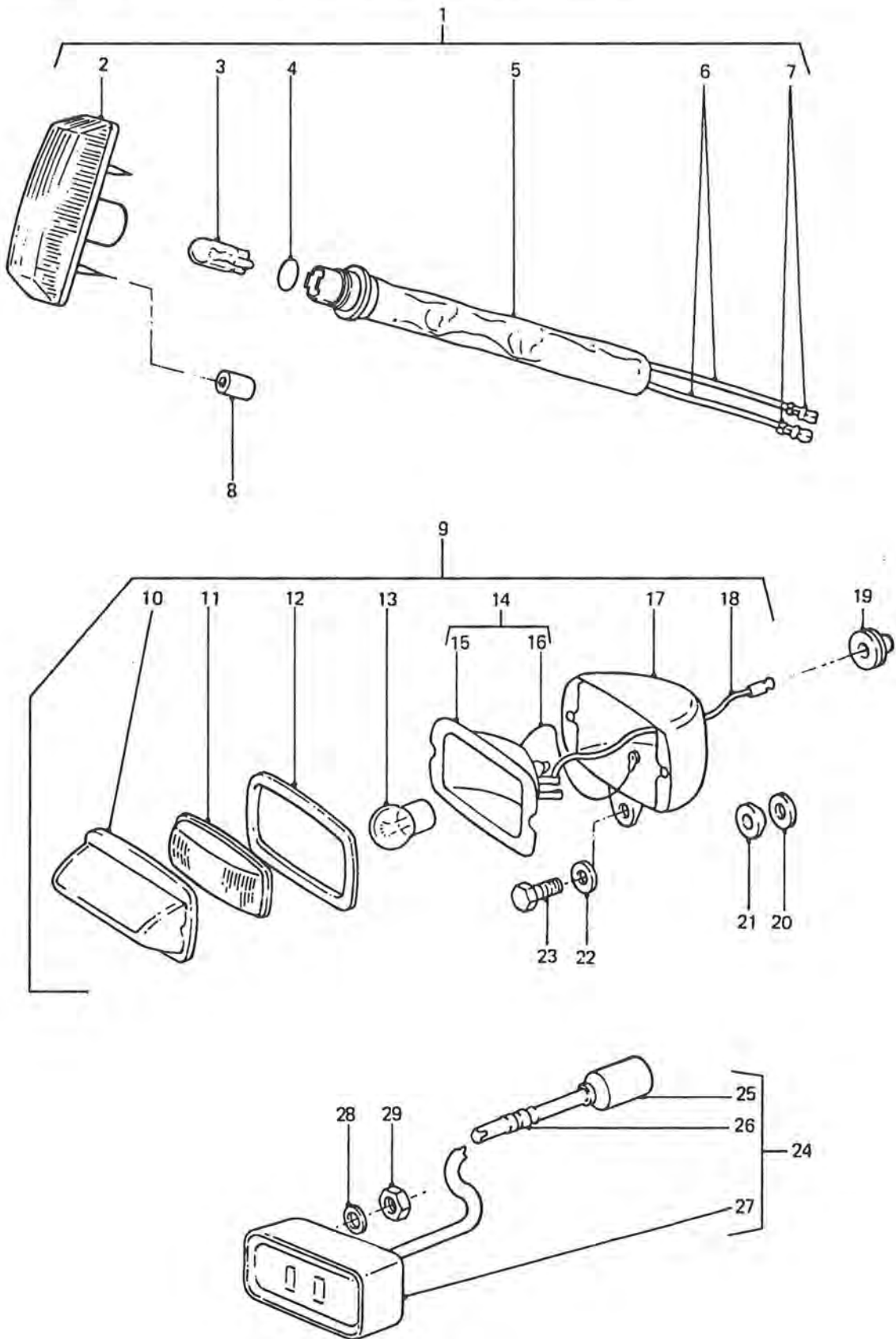
PERENTIE LAND ROVER PARTS LIST

<u>ITEM</u>	<u>QJE /1/1</u> <u>PART NO.</u>	<u>HORN</u> <u>DESCRIPTION</u>	<u>NSN</u>	<u>DERIVATIVE CODE</u>							
				<u>2185</u>	<u>2186</u>	<u>2208</u>	<u>2209</u>	<u>2210</u>	<u>2211</u>	<u>2212</u>	<u>2219</u>
1	SH106141	SCREW	5305-99-137-5622	2	2	2	2	2	2	2	2
2	WL106001L	WASHER-LOCK	5310-99-137-9232	2	2	2	2	2	2	2	2
3	PRC1984	BRACKET-MOUNTING	5340-66-128-5027	1	1	1	1	1	1	1	1
4	NT108041L	NUT	5310-99-139-0313	1	1	1	1	1	1	1	1
5	WE108001L	WASHER-LOCK	5310-66-128-4577	1	1	1	1	1	1	1	1
6	R235113	GROMMET	5325-99-804-8115	1	1	1	1	1	1	1	1
7	PRC2057	HORN	2590-99-797-3883	1	1	1	1	1	1	1	1

CHANGE POINT

ARN INTRODUCTION

GROUP QJF

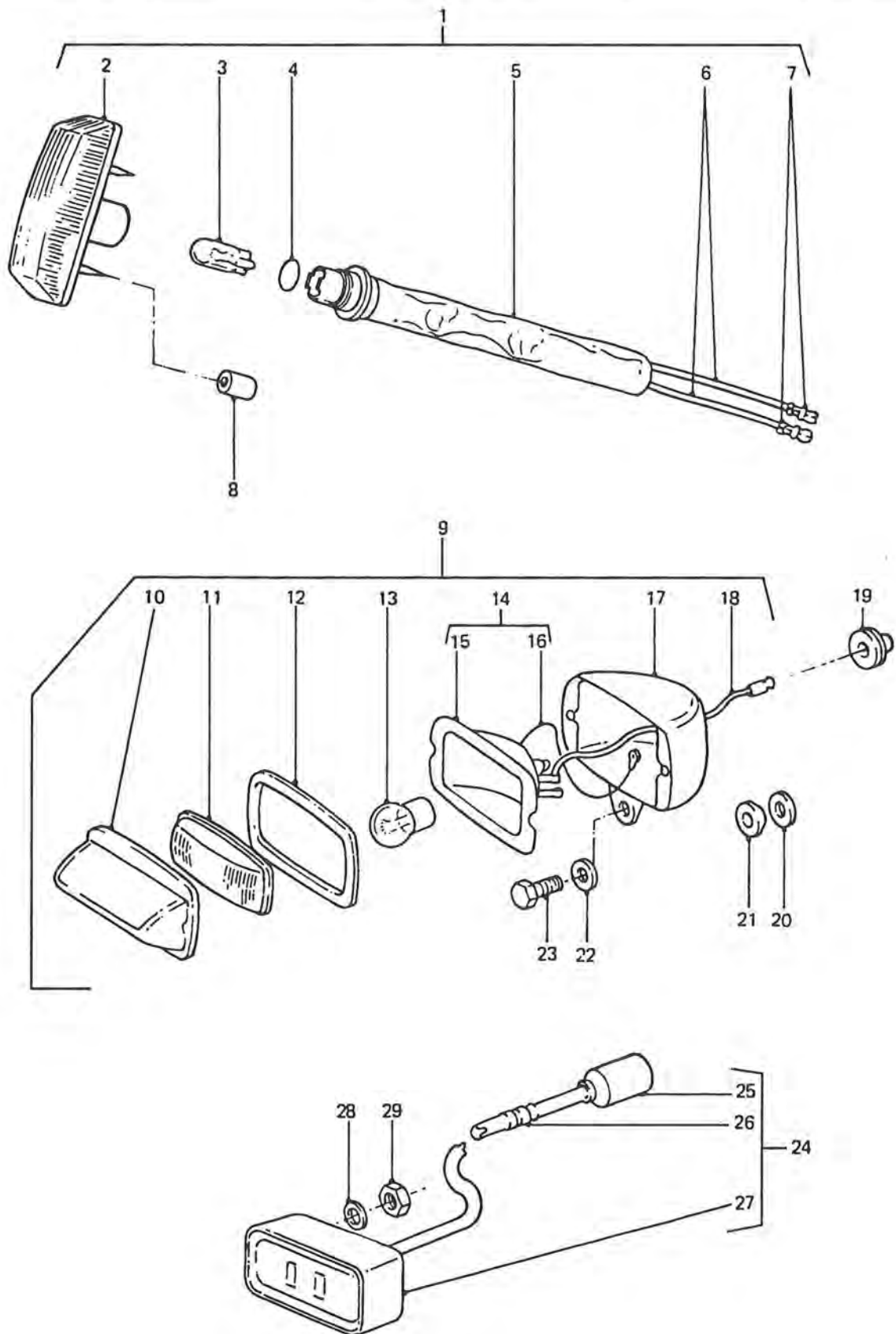


SIDE REPEATER, REDUCED HEADLAMP AND FRONT BLACKOUT LAMP

PERENTIE LAND ROVER PARTS LIST

ITEM	PART NO.	DESCRIPTION	NSN	DERIVATIVE CODE								CP
				2185	2186	2208	2209	2210	2211	2212	2219	
1	PRC7044	LAMP-REPEATER (INCLUDES ITEMS 2 TO 7)	6220-66-128-5301	2	2	2	2	2	2	2	2	2
2	NSS	LENS										
3	BFS501	GLOBE-12V, 5W	6240-99-995-2312	2	2	2	2	2	2	2	2	2
4	NSS											
5	NSS											
6	NSS											
7	NSS											
8	WVC9606	BUSH-FRICTION		4	4	4	4	4	4	4	4	4
9	HYG2584	HEADLAMP-REDUCED (INCLUDES ITEMS 10-18, 20-23)	6220-12-121-7310	2	2	2	2	2	2	2	2	2
10	HYL9619	RIM- BLACKOUT HEADLAMP	6220-66-026-3719	2	2	2	2	2	2	2	2	2
11	NSS											
12	NSS											
13	BFS221	GLOBE-12V, 18W	6240-66-028-3519	2	2	2	2	2	2	2	2	2
14	NSS											
15	NSS											
16	NSS											
17	ISS											
18	AYG9761	CABLE- REDUCED HEADLAMP		2	2	2	2	2	2	2	2	2
19	MYH3345	GROMMET	5325-66-128-4578	2	2	2	2	2	2	2	2	2
20	NSS											
21	NSS											
22	NSS											
23	NSS											
24	AYG9726	LAMP-BLACKOUT MARKER (INCLUDES ITEMS 25-27)	6220-66-128-4247	2	2	2	2	2	2	2	2	2

GROUP QJF



**SIDE REPEATER, REDUCED HEADLAMP AND
FRONT BLACKOUT LAMP**

PERENTIE LAND ROVER PARTS LIST

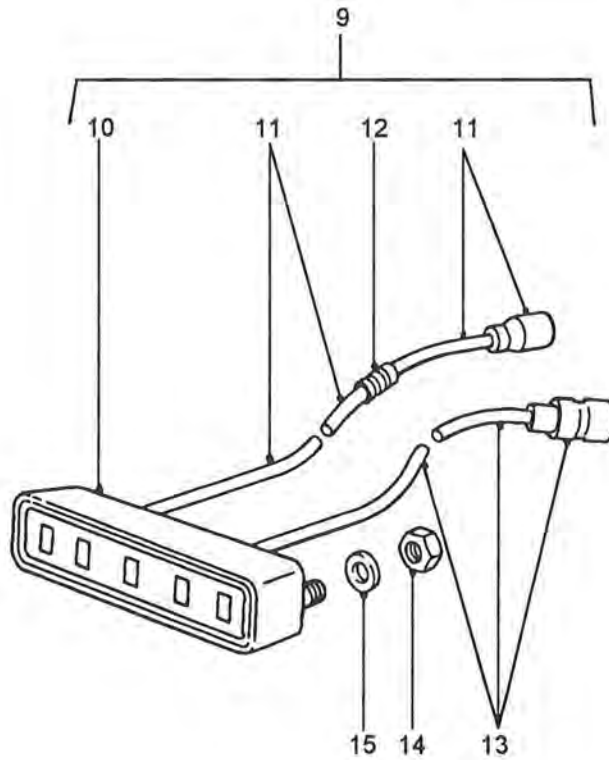
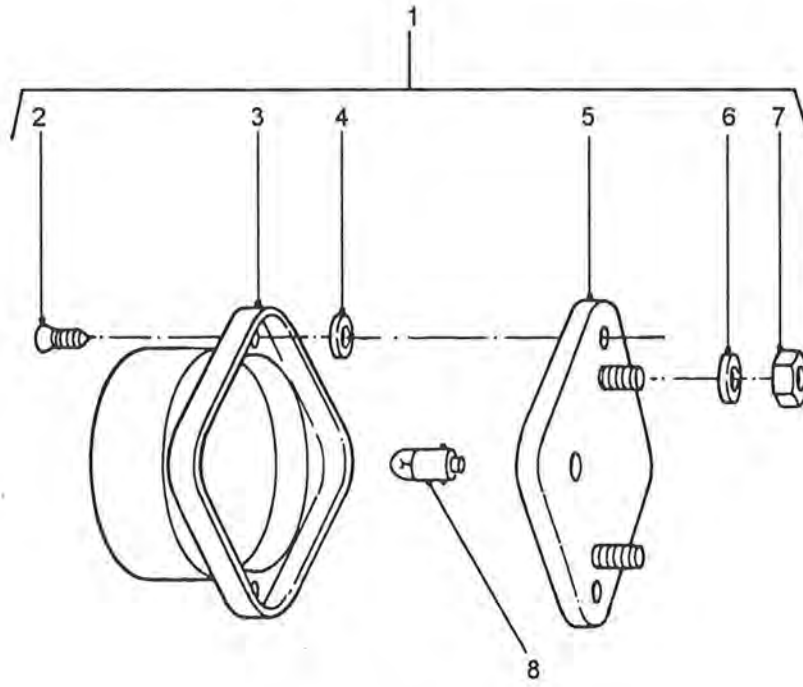
QJF /1/1 SIDE REPEATER, REDUCED HEADLAMP AND FRONT BLACKOUT LAMP
DERIVATIVE CODE

<u>ITEM</u>	<u>PART NO.</u>	<u>DESCRIPTION</u>	<u>NSN</u>	<u>2185</u>	<u>2186</u>	<u>2208</u>	<u>2209</u>	<u>2210</u>	<u>2211</u>	<u>2212</u>	<u>2219</u>	<u>CP</u>
25	NSS											
26	NSS											
27	NSS											
28	WA105001L	WASHER-PLAIN	5310-99-122-3032	2	2	2	2	2	2	2	2	2
29	NY808041	NUT-NYLOC	5310-66-128-4579	2	2	2	2	2	2	2	2	2

CHANGE POINT

ARN INTRODUCTION

GROUP QJG



CONVOY AND BLACKOUT LAMPS

PERENTIE LAND ROVER PARTS LIST

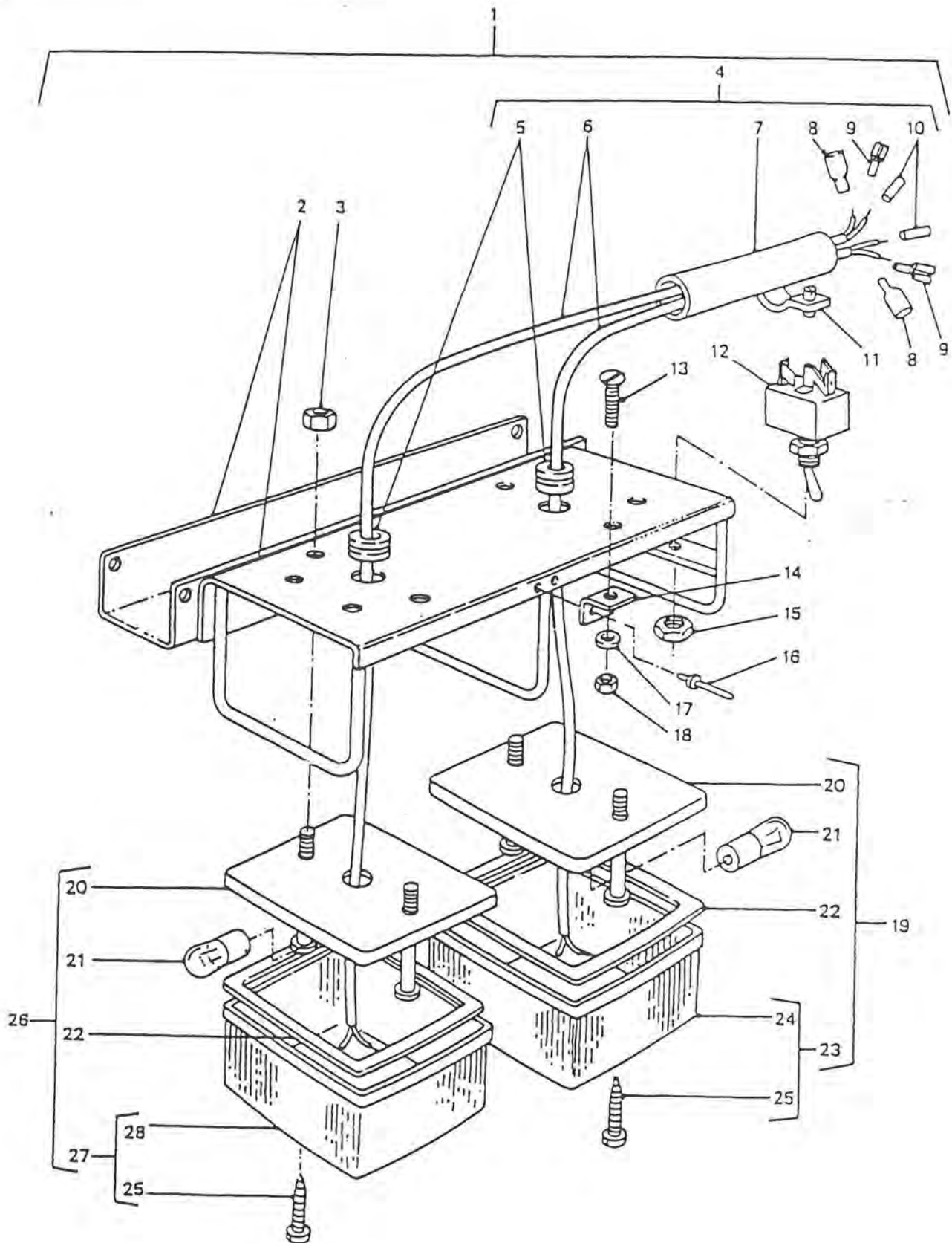
QJG /1/1 CONVOY AND BLACKOUT LAMPS

I	I	PART NO.	DESCRIPTION	NSN	DERIVATIVE CODE								
					2185	2186	2208	2209	2210	2211	2212	2219	CP
1		AYG9596	LAMP-CONVOY (INCLUDES ITEMS 2-7)	6220-66-128-4242	1	1	1	1	1	1	1	1	
2		NSS											
3		NSS											
4		NSS											
5		NSS											
6		NSS											
7		NSS											
8		MYH3264	BULB-12V, 2W	6240-66-030-7433	1	1	1	1	1	1	1	1	
9		AYG9727	LAMP-BLACKOUT-REAR (INCLUDES ITEMS 10-13)	6220-01-088-5915	2	2	2	2	2	2	2	2	
10		NSS											
11		NSS											
12		NSS											
13		NSS											
14		NY808011	NUT-NYLOC	5310-66-128-4580	4	4	4	4	4	4	4	4	
15		WA105001L	WASHER-PLAIN	5310-99-122-3032	4	4	4	4	4	4	4	4	
		AYG5984	BRACKET-CONVOY LAMP TO CHASSIS		1	1	1	1	1	1	1	1	
		MYH3337	SCREW-BRACKET TO CHASSIS	5305-66-128-5341	2	2	2	2	2	2	2	2	

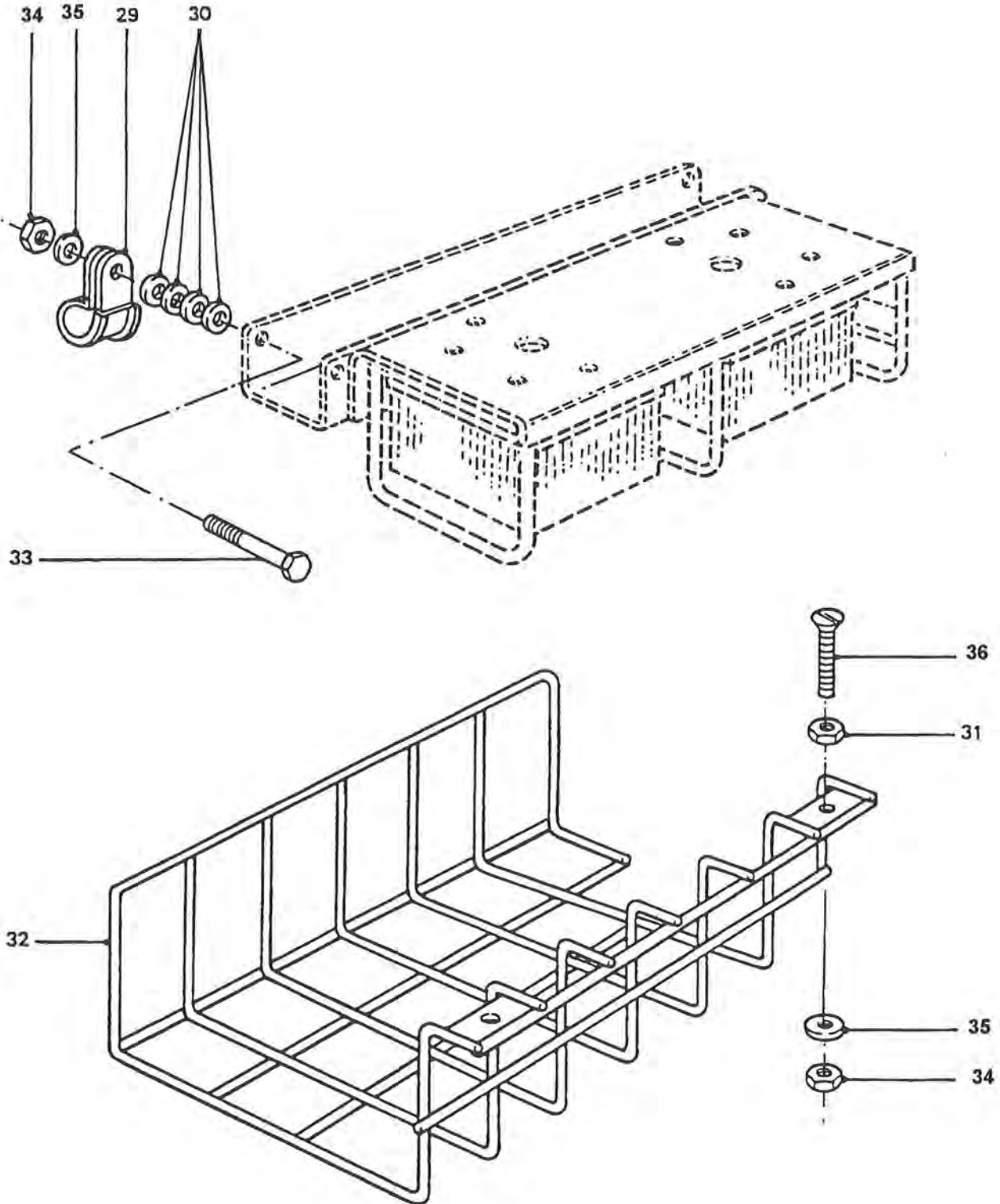
CHANGE POINT

ARN INTRODUCTION

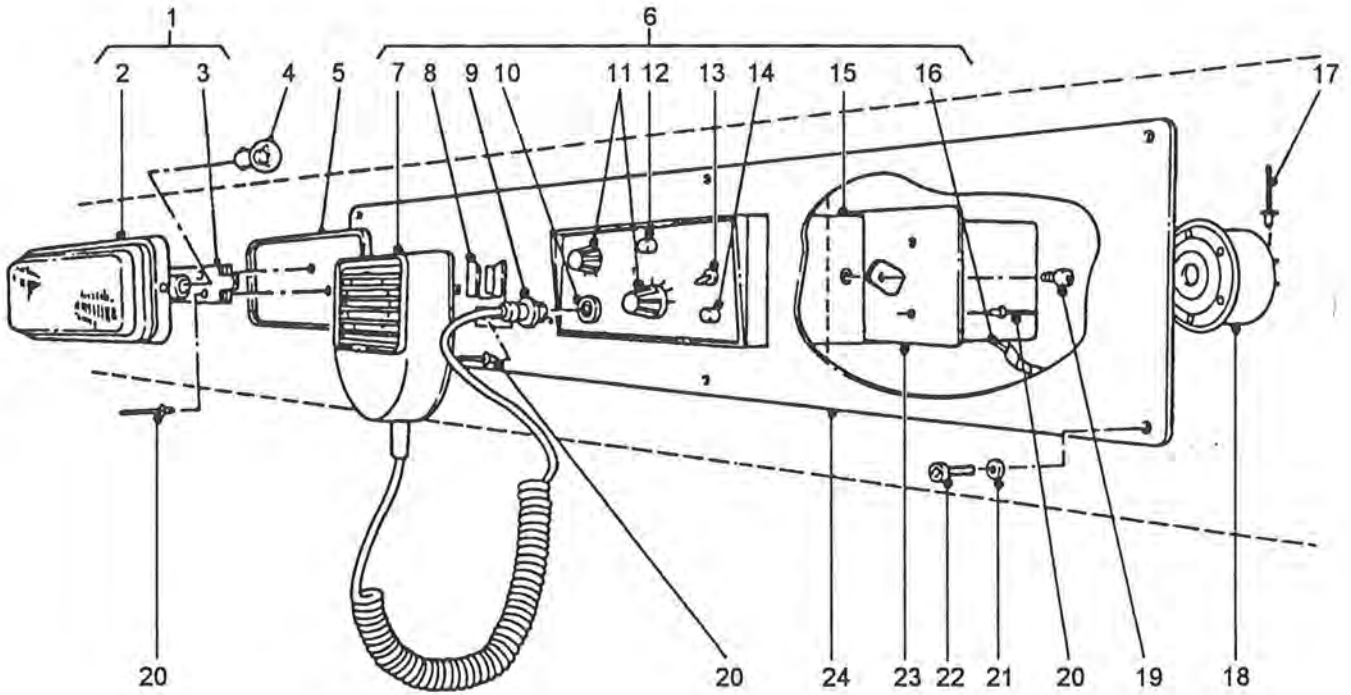
GROUP QJH/1 SHEET 1



**INTERIOR LAMP ASSEMBLY – FFR
– AIR DEFENCE ONLY**

GROUP QJH/1 SHEET 2

**INTERIOR LAMP ASSEMBLY – FFR
– AIR DEFENCE ONLY – CONTINUED**

GROUP QJJ

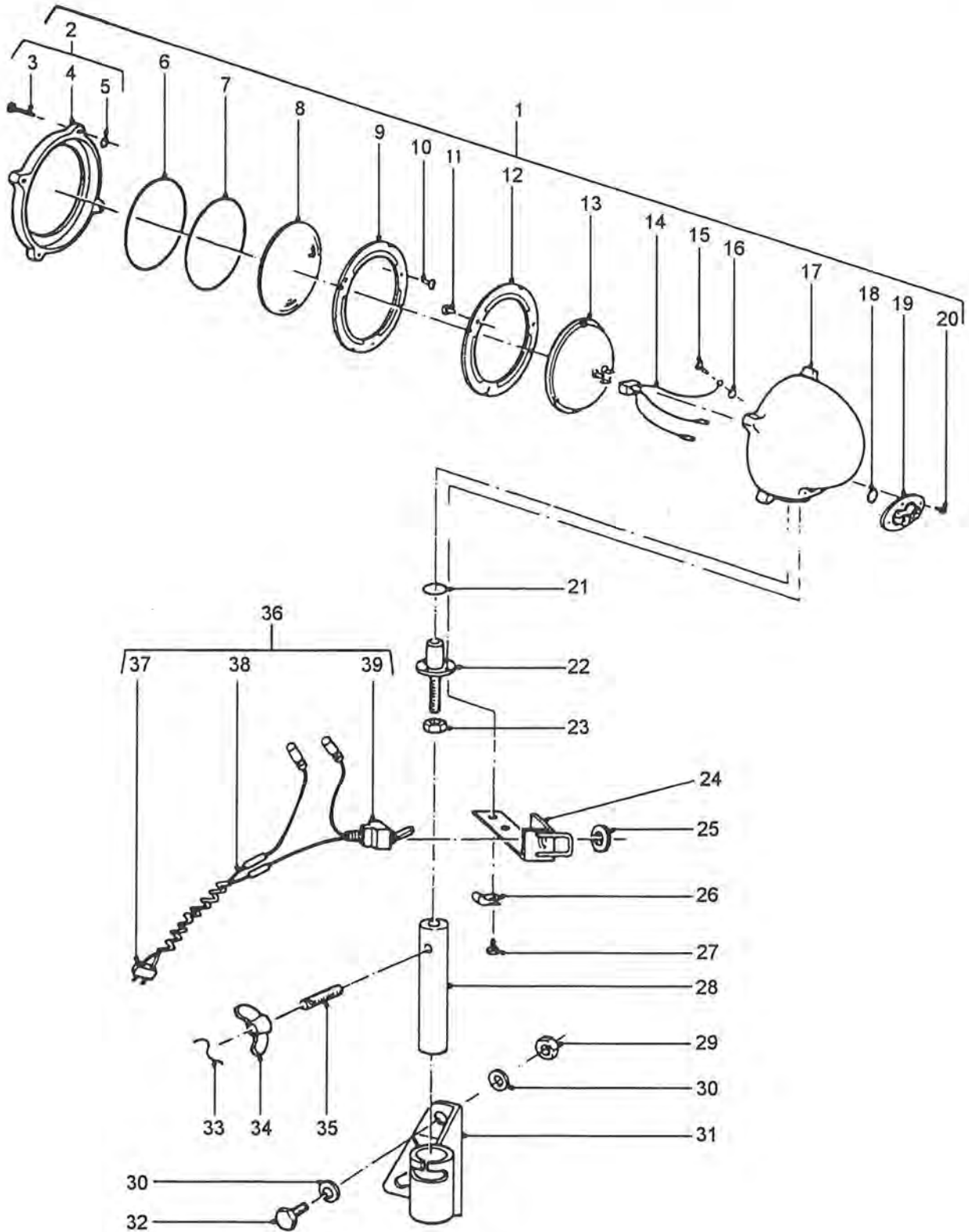
**HEADER RAIL LAMP, SIREN CONTROLS
AND WARNING BUZZER – AMBULANCE ONLY**

PERENTIE LAND ROVER PARTS LIST

ITEM	PART NO.	DESCRIPTION	NSN	DERIVATIVE CODE						
				2185	2186	2208	2209	2210	2211	2212
QJJ /1/1 HEADER RAIL LAMP, SIREN CONTROLS, & WARNING BUZZER - AMBULANCE										
1	STC251	LAMP-INTERIOR	6220-66-128-6113							1
2	NSS									
3	NSS									
4	GLB382	GLOBE-12V, 21W	6240-66-010-8161							1
5	MWC9601	GASKET-LAMP								1
6	HYL9491	SIREN & MICROPHONE ASSY (INCLUDES ITEMS 7-16)	5965-66-128-5916							1
7	HYL9492	MICROPHONE	5965-66-128-5869							1
8	NSS									
9	HYL9549	PLUG-MICROPHONE								1
10	HYL9550	SOCKET-MICROPHONE								1
11	HYL9551	KNOB-SWITCHES								2
12	HYL9552	LENS-YELLOW								1
13	HYL9553	SWITCH								1
14	HYL9554	LENS-RED								1
15	NSS									
16	NSS									
17	RU612083	POP RIVET								1
18	HYL9493	BUZZER-WARNING								1
19	SS105121	SCREW								2
20	RU612123	POP RIVET								8
21	WL105004	WASHER-LOCK	5310-66-128-5784							6
22	SE105204	SCREW	5305-66-128-4955							6
23	HYL9494	BRACKET-RH-CONTROL BC								1
23	HYL9495	BRACKET-LH-CONTROL BO								1
24	HYG3497	PLATE-COVER								1

CHANGE POINT

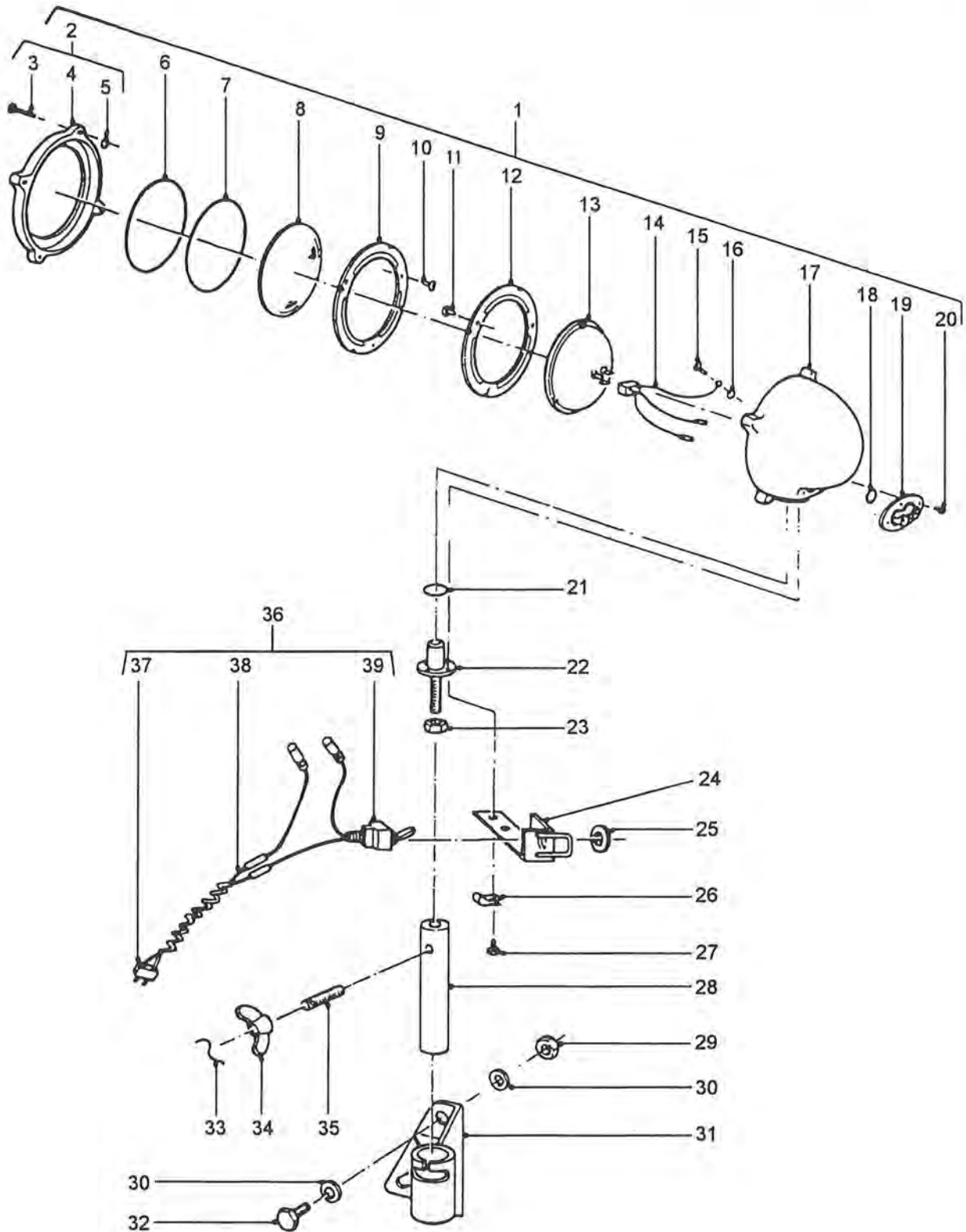
ARN INTRODUCTION

GROUP QJK**INFRARED LAMP ASSEMBLY AND MOUNTINGS
- LRPV ONLY**

PERENTIE LAND ROVER PARTS LIST

ITEM	PART NO.	DESCRIPTION	NSN	DERIVATIVE CODE								
				2185	2186	2208	2209	2210	2211	2212	2219	CP
1	BYG9207	LAMP ASSY-INFRA RED (INCLUDES ITEMS 2-28 AND 33 TO 36)	6220-66-128-6287									1
2	NSS		6220-07-962-2263									
3	NSS		5305-00-737-5694									
4	NSS		6220-00-014-7069									
5	NSS		5340-00-732-0642									
6	NSS		5330-00-159-3469									
7	NSS		5330-00-543-7160									
8	NSS		6220-00-557-8228									
9	NSS		6220-00-796-2261									
10	NSS											
11	NSS											
12	NSS		6220-00-421-1671									
13	BYG9198	SEALED BEAM-12V	6240-66-128-6288									1
14	NSS		2590-00-707-7532									
15	NSS		5305-00-984-6189									
16	NSS		5310-66-014-1505									
17	NSS											
18	NSS		5330-00-618-0801									
19	NSS											
20	NSS		5305-00-889-3002									
21	NSS		5330-00-599-0507									
22	NSS		5340-00-404-7446									
23	NSS		5310-66-019-3959									
24	BYG9210	MOUNTING-SWITCH										1
25	NSS											
26	MYH2413	'P' CLIP										1
27	NSS		5305-00-013-2969									
28	BYG9209	HANDLE-LAMP										1

GROUP QJK



INFRARED LAMP ASSEMBLY AND MOUNTINGS - LRPV ONLY

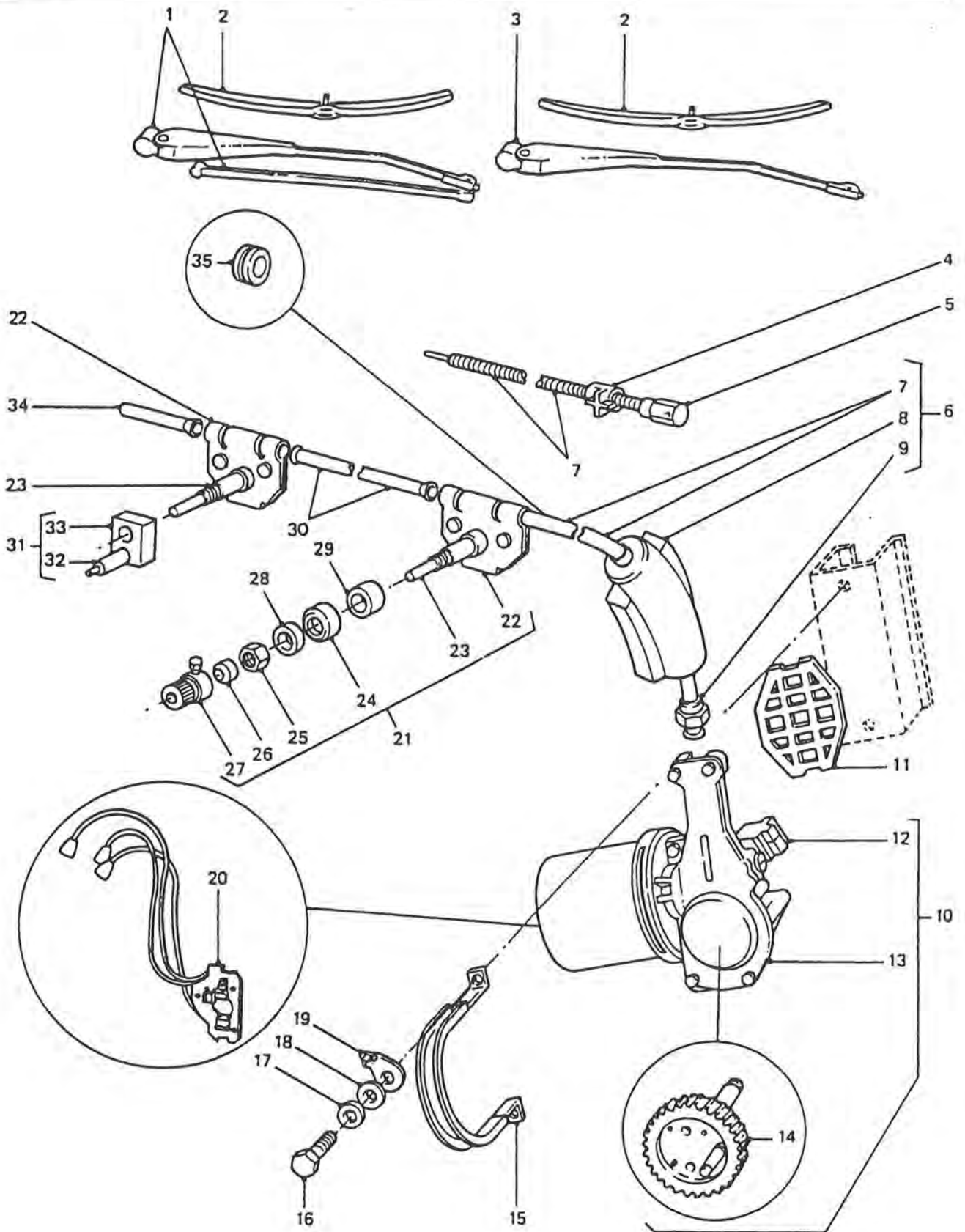
PERENTIE LAND ROVER PARTS LIST

<u>ITE</u>	<u>QJK /1/1</u>	<u>PART NO.</u>	<u>DESCRIPTION</u>	<u>NSN</u>	<u>DERIVATIVE CODE</u>											
					<u>2185</u>	<u>2186</u>	<u>2208</u>	<u>2209</u>	<u>2210</u>	<u>2211</u>	<u>2212</u>	<u>2219</u>	<u>CP</u>			
29		NY110041L	NUT-NYLOC	5310-99-122-5497												1
30		WA110061L	WASHER-PLAIN	5310-99-122-6476												2
31		HYG5702	MOUNTING-LAMP													1
32		BH110151	BOLT													1
33		NSS														
34		NB110010	NUT-WING	5310-66-128-6289												1
35		BYG9211	STUD	5307-66-128-6290												1
36		BYG9208	HARNES ASSY (INCLUDES ITEMS 25, 37-39)													1
37		MYH3702	PLUG-SINGLE PIN													2
38		NSS														
39		BYG9206	SWITCH-TOGGLE	5930-66-128-6292												1

CHANGE POINT

ARN INTRODUCTION

GROUP QKA/1

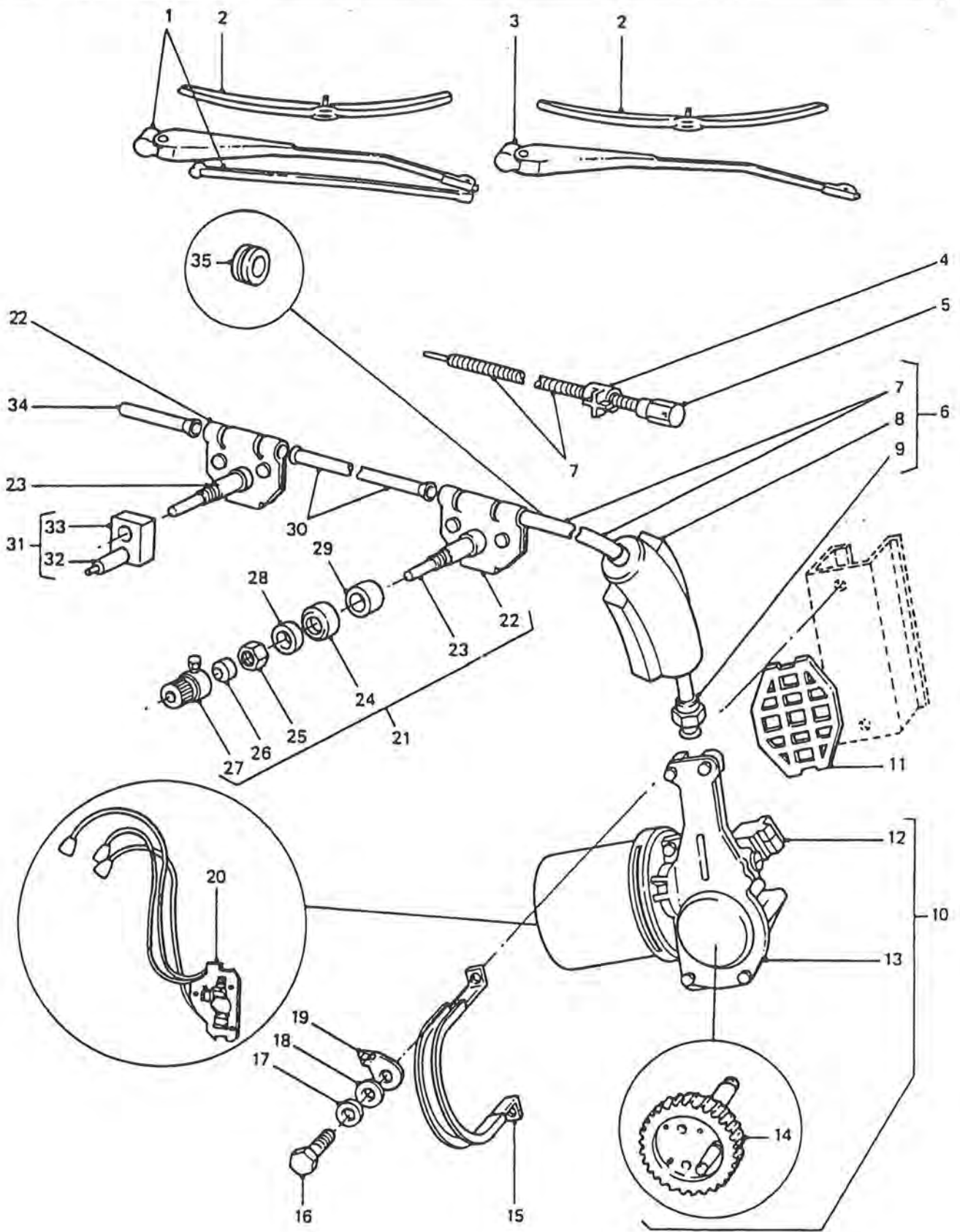


**WINDSCREEN WIPER MOTOR AND LINKAGE
- EXCEPT LRPV**

PERENTIE LAND ROVER PARTS LIST

ITEM	PART NO.	DESCRIPTION	NSN	DERIVATIVE CODE							CP
				2185	2186	2208	2209	2210	2211	2212	
QKA /1/1 WINDSCREEN WIPER MOTOR AND LINKAGE - EXCEPT LRPV											
1	AYG9852	ARM-WIPER-RH	2540-66-128-5615	1	1	1	1	1		1	1
2	AYG9853	BLADE-WIPER	2540-66-128-5616	2	2	2	2	2		2	2
3	AYG9876	ARM-WIPER-LH	2540-66-128-5617	1	1	1	1	1		1	1
4	37H3694L	FERRULE		1	1	1	1	1		1	1
5	RTC4682	RACK-WIPER	2540-66-128-4976	1	1	1	1	1		1	1
6	AYG9869	TUBE-WHEELBOX	2540-66-128-5618	1	1	1	1	1		1	1
7	NSS										
8	NSS										
9	NSS										
10	RTC4678	MOTOR-WIPER (INCLUDES ITEMS 12-14, 20)	2540-99-733-8614	1	1	1	1	1		1	1
11	R150844	PAD	5340-99-819-8231	1	1	1	1	1		1	1
12	R520160	SWITCH-PARKING (PART OF RTC4678)	2540-99-821-9330	1	1	1	1	1		1	1
13	NSS										
14	R517646	GEAR WIPER MOTOR (PART OF RTC4678)		1	1	1	1	1		1	1
15	BHA4790L	STRAP & SLEEVE	2540-99-824-3663	1	1	1	1	1		1	1
16	FS106161	SCREW	5305-99-122-5360	2	2	2	2	2		2	2
17	WL106001L	WASHER-LOCK	5310-99-137-9232	2	2	2	2	2		2	2
18	WA106041L	WASHER-PLAIN	5310-66-098-4440	2	2	2	2	2		2	2
19	R505205	TERMINAL-LUCAR	5940-99-805-0400	1	1	1	1	1		1	1
20	RTC5575	BRUSH SET-WIPER MOTOR	5977-66-128-4891	1	1	1	1	1		1	1
21	PRC8495	WHEEL BOX-WIPER	2540-99-495-7006	2	2	2	2	2		2	2
22	NSS										
23	NSS										
24	NSS										
25	NSS										
26	NSS										

GROUP QKA/1

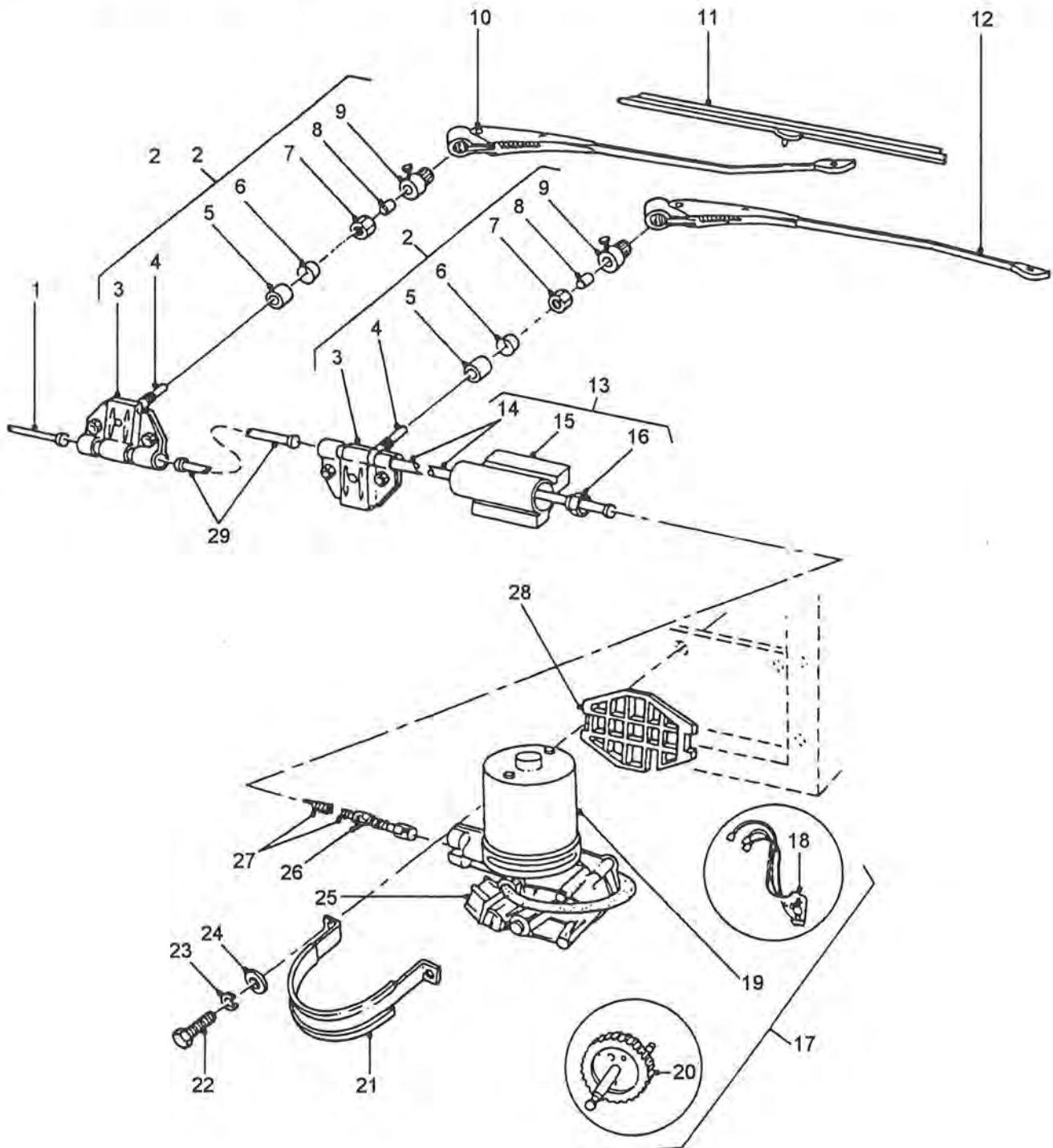


**WINDSCREEN WIPER MOTOR AND LINKAGE
- EXCEPT LRPV**

PERENTIE LAND ROVER PARTS LIST

ITEM	PART NO.	DESCRIPTION	NSN	LRPV DERIVATIVE CODE							CP
				2185	2186	2208	2209	2210	2211	2212	
27	RTC4480	DRUM-SPLINED		1	1	1	1	1		1	1
28	AYG9857	SPACER-W/BOX-RH & LH SIDES-EXTERNAL		2	2	2	2	2		2	2
29	AYG9877	SPACER-W/BOX-LH SIDE-INTERNAL		1	1	1	1	1		1	1
30	AYG9870	TUBE-WHEELBOX	2540-66-128-5619	1	1	1	1	1		1	1
31	AYG9859	PIN & SPACER-RH SIDE-INTERNAL		1	1	1	1	1		1	1
32	NSS										
33	NSS										
34	AYG9871	TUBE-WHEELBOX END	2540-66-128-5620	1	1	1	1	1		1	1
35	R269257	GROMMET	5325-99-828-1011	1	1	1	1	1		1	1
<u>CHANGE POINT</u>		<u>ARN INTRODUCTION</u>									

GROUP QKA/2

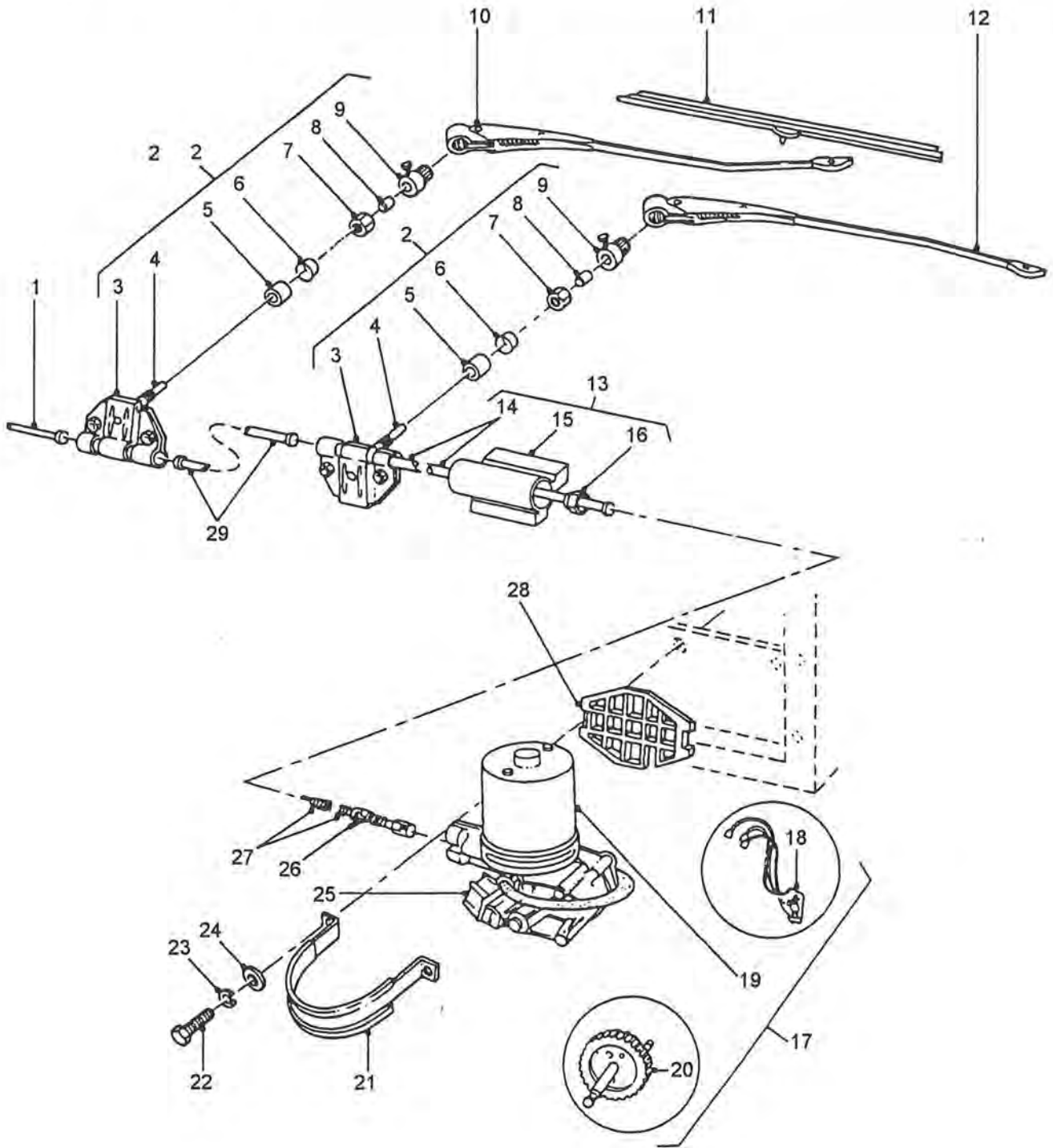


**WINDSCREEN WIPER MOTOR AND LINKAGE
- LRPV ONLY**

PERENTIE LAND ROVER PARTS LIST

ITEM	PART NO.	DESCRIPTION	NSN	DERIVATIVE CODE								
				2185	2186	2208	2209	2210	2211	2212	2219	CP
1	AYG9871	TUBE-WHEELBOX END	2540-66-128-5620									1
2	PRC8495	WHEELBOX-WIPER	2540-99-495-7006									2
3	NSS											
4	NSS											
5	HYG4075	SPACER WHEELBOX-INTERNAL										2
6	NSS											
7	NSS											
8	NSS											
9	RTC4480	DRUM-SPLINED										1
10	AYG9876	ARM-WIPER-LH	2540-66-128-5617									1
11	AYG9853	BLADE-WIPER	2540-66-128-5616									2
12	BYG9049	ARM-WIPER-RH	2540-66-128-6297									1
13	BYG9084	TUBE-WIPER MOTOR TO WHEELBOX	2590-66-128-6295									1
14	NSS											
15	NSS											
16	NSS											
17	RTC4678	MOTOR-WIPER (INCLUDES ITEMS 18-20, 25)	2540-99-733-8614									1
18	RTC5575	BRUSH SET-WIPER MOTOR	5977-66-128-4891									1
19	NSS											
20	R517646	GEAR-WIPER MOTOR (PART OF RTC4678)										1
21	BHA4790L	STRAP & SLEEVE	2540-99-824-3663									1
22	FS106161	SCREW	5305-99-122-5360									2
23	WL106001L	WASHER-LOCK	5310-99-137-9232									2
24	WA106041L	WASHER-PLAIN	5310-66-098-4440									2
	MM106301	RIVNUT	5310-66-128-5543									2
25	R520160	SWITCH-PARKING (PART OF RTC4678)	2540-99-821-9330									1

GROUP QKA/2



**WINDSCREEN WIPER MOTOR AND LINKAGE
- LRPV ONLY**

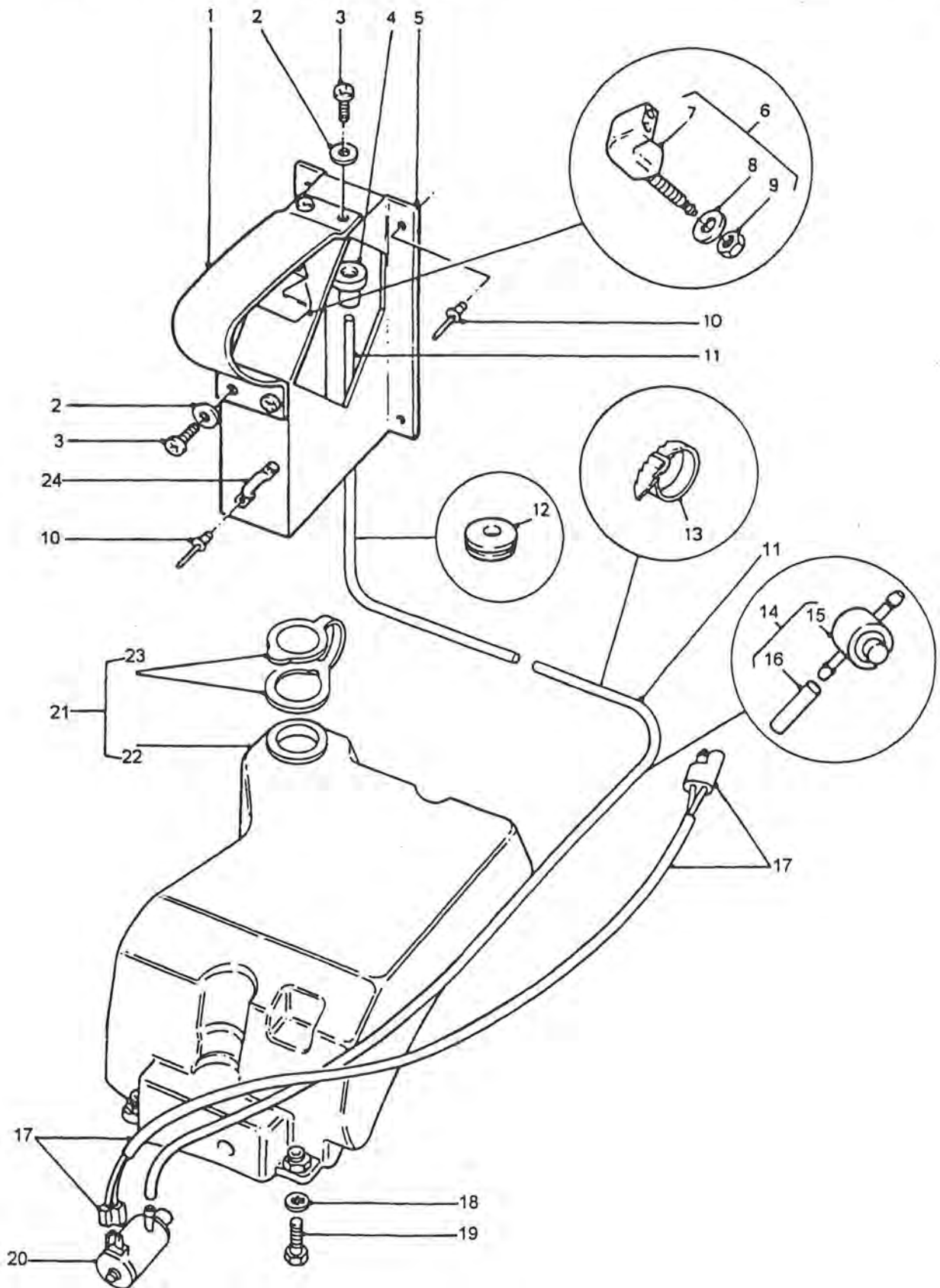
PERENTIE LAND ROVER PARTS LIST

QKA /2/1 WINDSCREEN WIPER MOTOR AND LINKAGE - LRPV ONLY

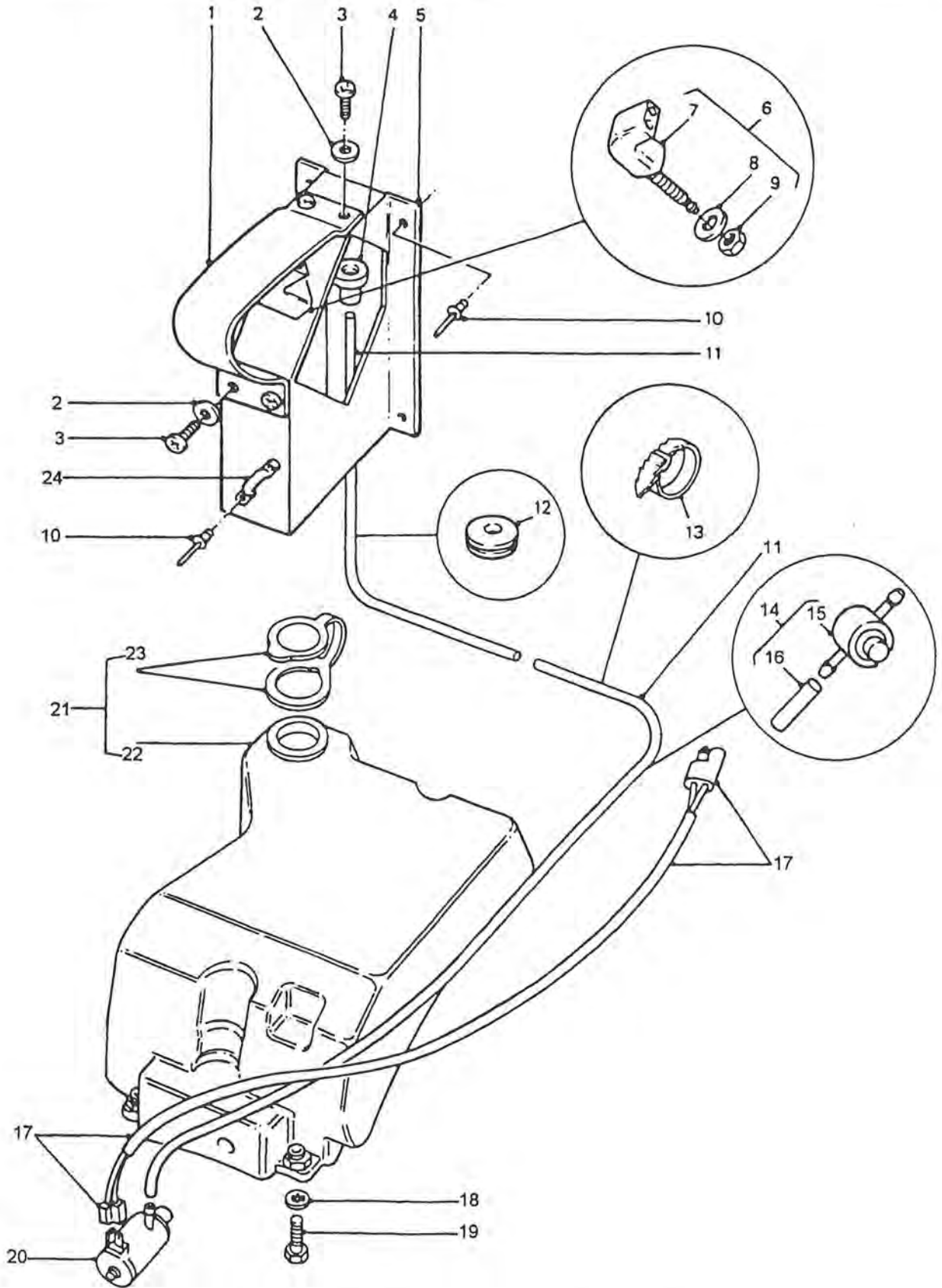
<u>ITEM</u>	<u>PART NO.</u>	<u>DESCRIPTION</u>	<u>NSN</u>	<u>DERIVATIVE CODE</u>								
				<u>2185</u>	<u>2186</u>	<u>2208</u>	<u>2209</u>	<u>2210</u>	<u>2211</u>	<u>2212</u>	<u>2219</u>	<u>CP</u>
26	37H3694L	FERRULE										1
27	RTC4682	RACK-WIPER	2540-66-128-4976									1
28	R150844	PAD	5340-99-819-8231									1
29	HYG3886	TUBE-WHEELBOX TO WHEELBOX	2590-66-128-6294									1
	HYG5930	SPACER-WIPER MOTOR TO WINDSCREEN FRAME										1

CHANGE POINT

ARN INTRODUCTION

GROUP QKB**WINDSCREEN WASHER**

GROUP QKB



WINDSCREEN WASHER

PERENTIE LAND ROVER PARTS LIST

QKB /1/1 WINDSCREEN WASHER

<u>ITEM</u>	<u>PART NO.</u>	<u>DESCRIPTION</u>	<u>NSN</u>	<u>DERIVATIVE CODE</u>								
				<u>2185</u>	<u>2186</u>	<u>2208</u>	<u>2209</u>	<u>2210</u>	<u>2211</u>	<u>2212</u>	<u>2219</u>	<u>CP</u>
23	PRC2854	CAP-RESERVOIR	2540-99-729-2983	1	1	1	1	1	1	1	1	
24	R395143	STAPLE	2540-99-824-6204								1	

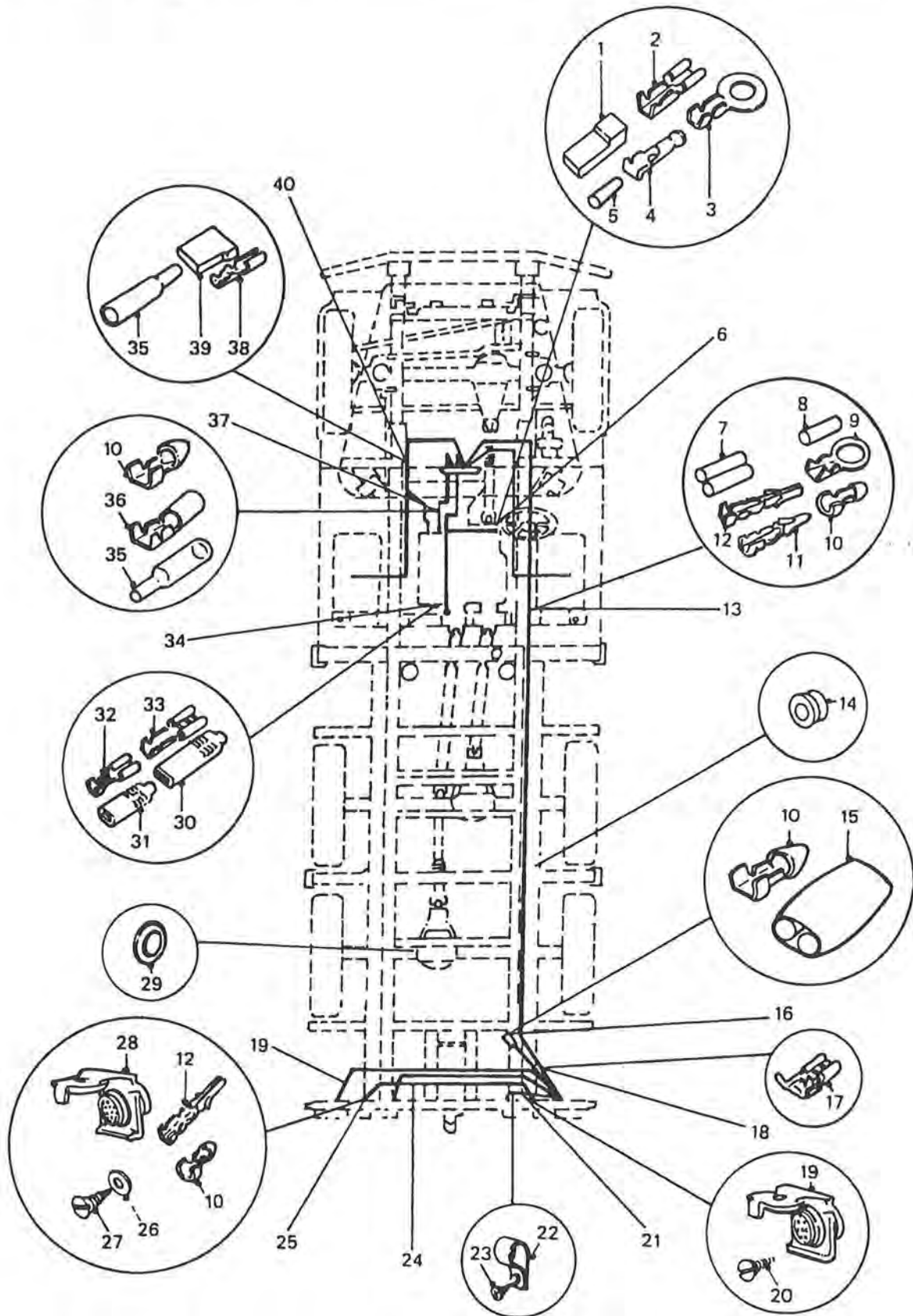
CHANGE POINT

ARN INTRODUCTION

PERENTIE LAND ROVER PARTS LIST

ITEM	PART NO.	DESCRIPTION	NSN	DERIVATIVE CODE								
				2185	2186	2208	2209	2210	2211	2212	2219	CP
1	NSS											
2	NSS											
3	NSS											
4	NSS											
5	NSS											
6	PRC3085	LEAD-DIFF. LOCK SWITCH TO CHASSIS		1	1	1	1	1		1	1	
7	NSS											
8	NSS											
9	ISS											
10	MYH2565	TERMINAL	5940-66-128-4737	7	7	7	7	7		7	7	
11	NSS											
12	NSS											
13	AYG9971	HARNESS-CHASSIS		1	1	1	1	1		1		
	BYG9065	HARNESS-CHASSIS		1	1	1	1	1		1	1	01
14	R589452	GROMMET	5325-66-098-2816	4	4	4	4	4		4	4	
15	AYH9037	CONNECTOR-DOUBLE	5940-66-036-8141	1	1	1	1	1		1	1	
16	AYG9577	HARNESS-CONVOY LAMP		1	1	1	1	1		1	1	
17	AYK9152	TERMINAL	5940-66-119-8561	8	8	8	8	8		8	8	
18	YG9970	HARNESS-REAR LAMPS		2	2	2	2	2		2	2	
19	AYG9967	PLUG & HARNESS-7 PIN	5935-66-055-1378	1	1	1	1	1		1	1	
20	AC610101	SCREW		3	3	3	3	3		3	3	
21	AYG9967	PLUG & HARNESS-7 PIN	5935-66-055-1378	1	1	1	1	1		1	1	
22	MYH2697	'P' CLIP	5340-66-128-4546	6	6	6	6	6		6	6	
23	MYH3337	SCREW	5305-66-128-5341	6	6	6	6	6		6	6	
24	AYG9741	CABLE-BLACKOUT LIGHT		2	2	2	2	2		2	2	
25	BYG9079	CABLE ASSY-NATO PLUG		1	1	1	1	1		1	1	
26	WL106001L	WASHER-LOCK	5310-99-137-9232	4	4	4	4	4	4		4	

GROUP QL/1



**REAR WIRING HARNESSES AND FITTINGS
- EXCEPT LRPV**

PERENTIE LAND ROVER PARTS LIST

QL /1/1

REAR WIRING HARNESSES AND FITTINGS - EXCEPT LRPV

ITEM	PART NO.	DESCRIPTION	NSN	DERIVATIVE CODE							CP
				2185	2186	2208	2209	2210	2211	2212	
27	MYH3122	SCREW	5305-66-128-4597	4	4	4	4	4	4		4
28	HYG582	NATO SOCKET	5935-66-010-7853	1	1	1	1	1	1		1
29	MYH3206	PLUG-BLANKING	5340-66-128-5456	2	2	2	2	2		2	2
30	NSS										
31	NSS										
32	NSS										
33	NSS										
34	AYG9897	CABLE-6WD LIGHT TO SWITCH		1	1	1	1	1		1	1
35	YG9120	INSULATOR		3	3	3	3	3		3	3
36	NSS										
37	PRC2032	CABLE-REVERSE LIGHT		1	1	1	1	1		1	1
38	NSS										
39	NSS										
40	AYG9962	HARNESS-FUEL TANK TO CHANGE VALVE		1	1	1	1	1		1	1
	MYH1780	CONNECTOR	5940-66-017-9989	2	2	2	2	2		2	2
	MYH1763	CABLE TIE-ELECTRICAL COMPONENTS	5975-12-199-8964	13	13	13	13	13		13	13
	R622324	'P' CLIP-NATO PLUG CABLE TO CHASSIS REAR X/MEMBER	5340-66-106-1527	2	2	2	2	2		2	2
	MYH3337	SCREW	5305-66-128-5341	2	2	2	2	2		2	2
	AAU3686	CABLE STRAP-FUEL HARNESS TO RH/LH LONGITUDINAL		4	4	4	4	4		4	4

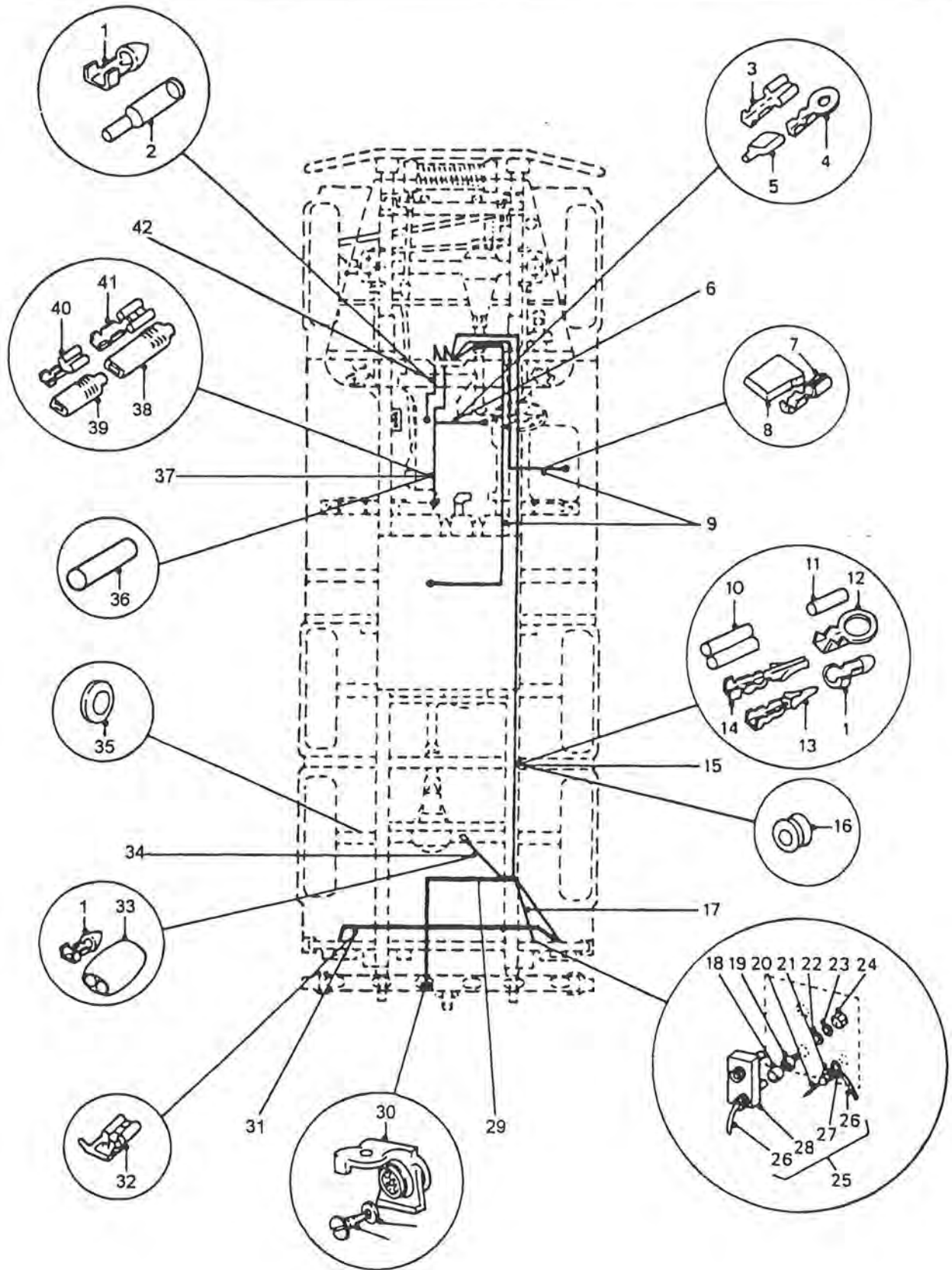
CHANGE POINT

1

ARN INTRODUCTION

50-842 ELECTRONIC REPAIR VEHICLE (BLADE TYPE FUSES)

GROUP QL/2

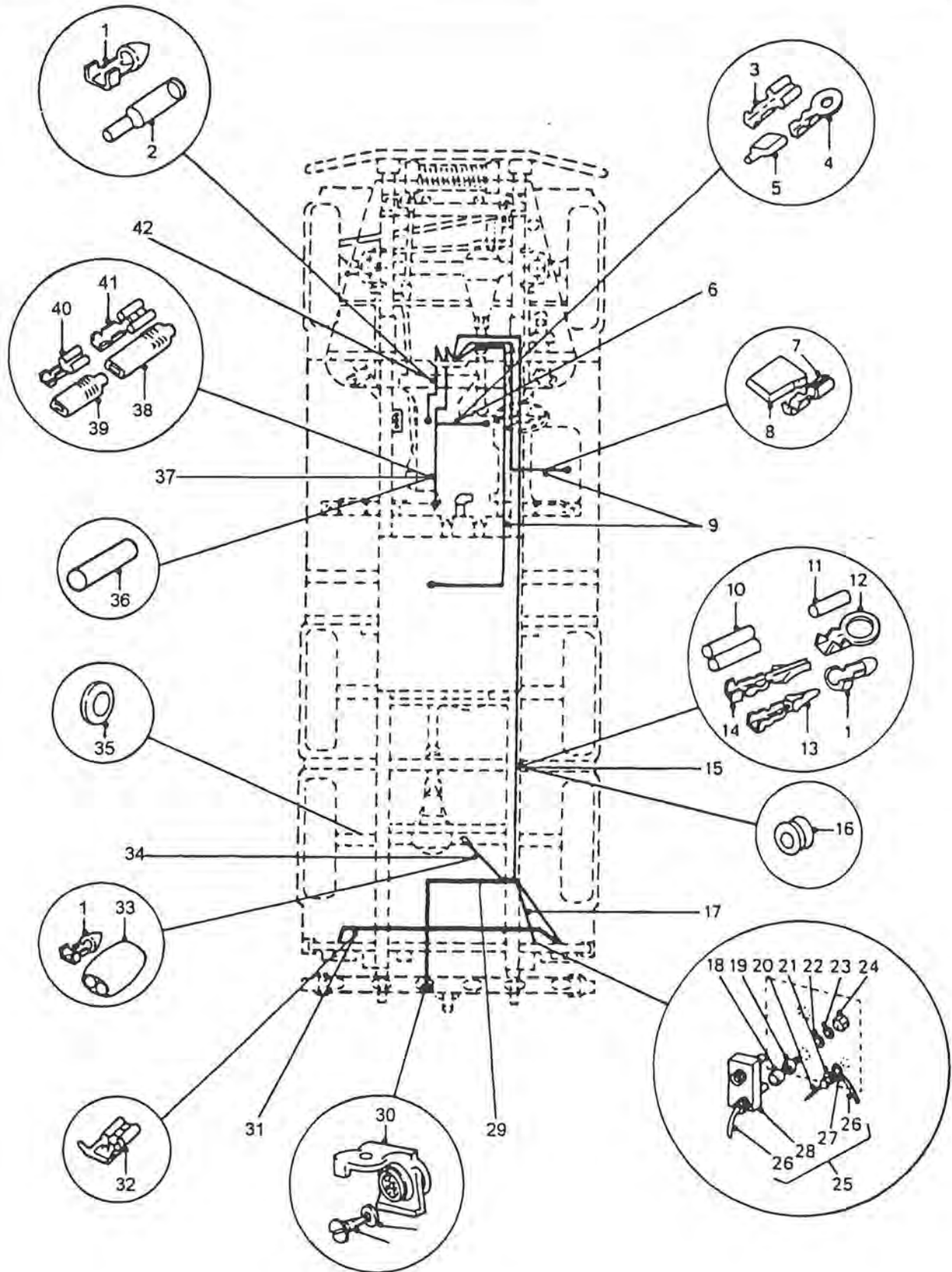


REAR WIRING HARNESSES AND FITTINGS - LRPV ONLY

PERENTIE LAND ROVER PARTS LIST

ITEM	PART NO.	DESCRIPTION	NSN	DERIVATIVE CODE								
				2185	2186	2208	2209	2210	2211	2212	2219	CP
1	MYH2565	TERMINAL	5940-66-128-4737									7
2	AYG9120	INSULATOR										3
3	NSS											
4	NSS											
5	NSS											
6	PRC3085	LEAD-DIFF. LOCK SWITCH TO CHASSIS HARNESS										1
7	AYG9119	RECEPTACLE										2
8	NSS											
9	AYG9962	HARNESS-FUEL TANK TO CHANGE VALVE										1
	SE105121L	SCREW-HARNESS TO CHANGE RELAY MTG. BLOCK	5305-99-135-0429									1
	WA105001L	WASHER-PLAIN	5310-99-122-3032									1
	WL105001L	WASHER-LOCK	5310-99-977-1102									1
	NH105041L	NUT	5310-66-098-4400									1
10	NSS											
11	NSS											
12	NSS											
13	NSS											
14	NSS											
15	BYG9065	HARNESS-CHASSIS										1
16	R589452	GROMMET-CHASSIS HARNESS	5325-66-098-2816									4
	MYH2697	'P' CLIP-RETAINING HARNESS TO REAR CHASSIS CROSSMEMBER	5340-66-128-4546									3
	MYH3337	SCREW	5305-66-128-5341									3
17	BYG9199	CABLE ASSY-REAR INSPECTION SOCKET										1

GROUP QL/2

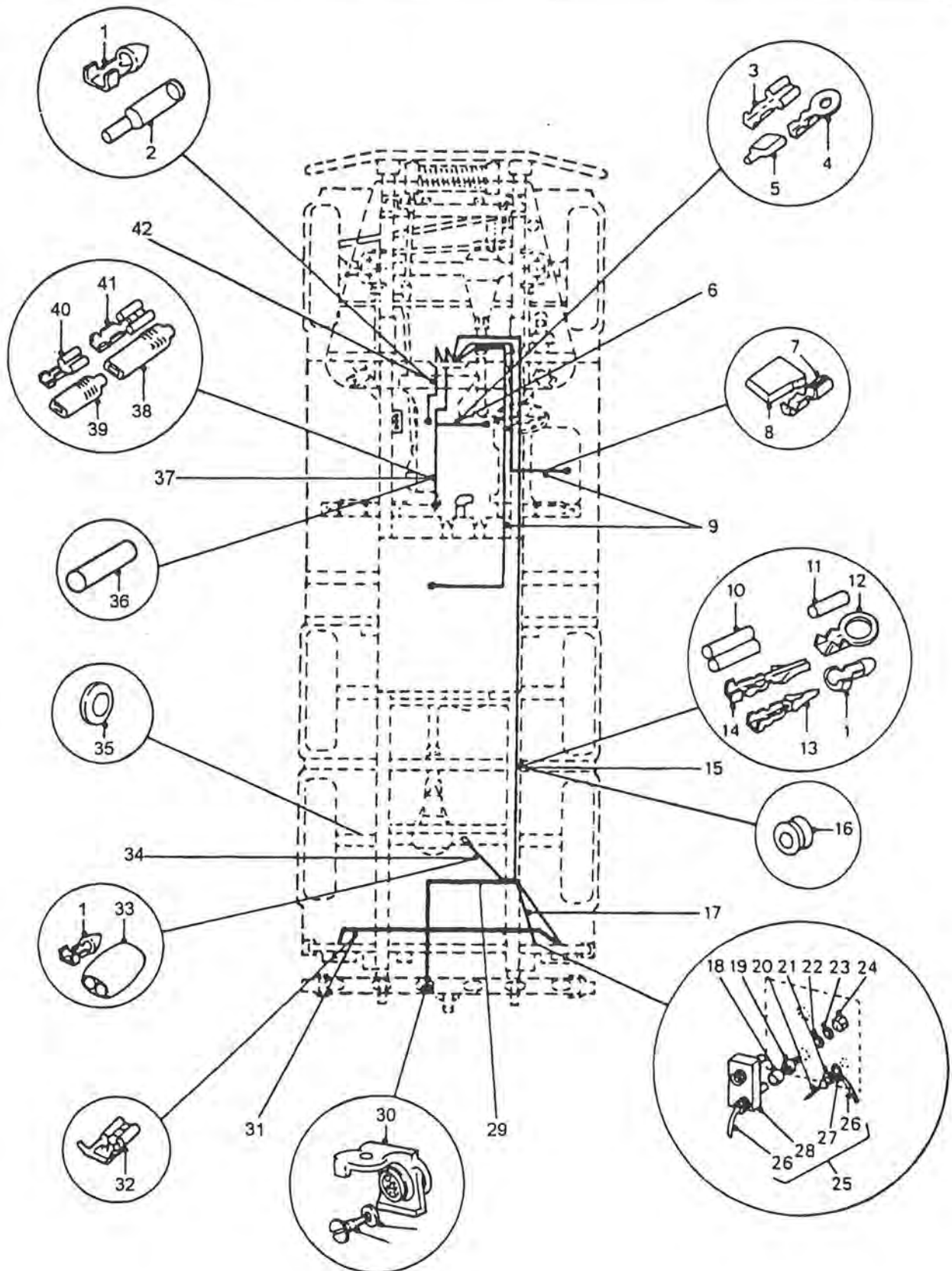


**REAR WIRING HARNESSES AND FITTINGS
- LRPV ONLY**

PERENTIE LAND ROVER PARTS LIST

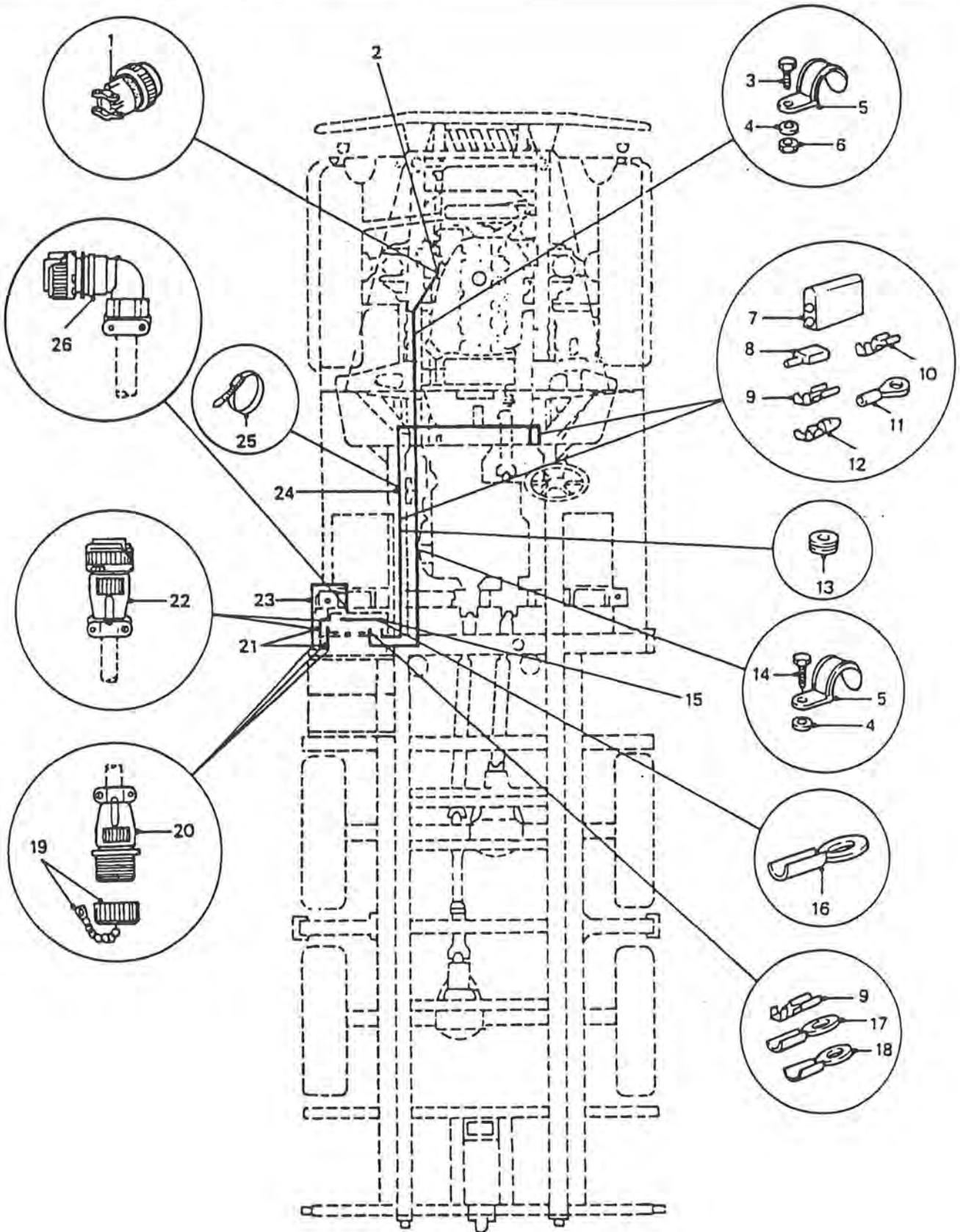
ITEM	PART NO.	DESCRIPTION	NSN	DERIVATIVE CODE							
				2185	2186	2208	2209	2210	2211	2212	2219
QL /2/1 REAR WIRING HARNESSES AND FITTINGS - LRPV ONLY											
18	PRC2078	SOCKET-INSPECTION	5935-99-797-3844							2	
19	PRC2080	BUSH-INSULATION-BLACK								1	
	PRC2079	BUSH-INSULATION-RED								1	
20	R78248	POP RIVET	5320-99-970-3518							1	
21	WA105001L	WASHER-PLAIN	5310-99-122-3032							1	
22	MYH3548	RING-SEALING								2	
23	R3052	WASHER-PLAIN	5310-99-801-5567							2	
24	PRC2087	NUT-NYLON								2	
25	BYG9070	COVER-PLUG-INSPECTION TERMINAL								1	
26	.JSS										
27	MYH3596	TERMINAL EYE								1	
28	MYH3702	PLUG-SINGLE PIN								2	
29	BYG9194	CABLE ASSY-NATO PLUG								1	
30	HYG582	NATO SOCKET	5935-66-010-7853							1	
	SE106201L	SCREW-CABLE-NATO PLUG TO MOTOR CYCLE CRADLE	5305-99-796-7536							4	
	WA106041L	WASHER-PLAIN	5310-66-098-4440							4	
	NY106041L	NUT-NYLOC	5310-99-138-8423							4	
	MYH3574	'P' CLIP-CABLE-NATO SOCKET								4	
	JE106201L	SCREW-'P' CLIP TO MOTOR CYCLE CRADLE	5305-99-796-7536							4	
	WA106041L	WASHER-PLAIN	5310-66-098-4440							4	
	NY106041L	NUT-NYLOC	5310-99-138-8423							4	
31	AYG9970	CABLE ASSY-REAR LAMPS								2	
32	AYK9152	TERMINAL	5940-66-119-8561							8	
	BYG9001	GROMMET-CABLE-REAR LAMPS								2	
33	AYH9037	CONNECTOR-DOUBLE	5940-66-036-8141							1	

GROUP QL/2



**REAR WIRING HARNESSES AND FITTINGS
- LRPV ONLY**

GROUP QLA/1 SHEET 1

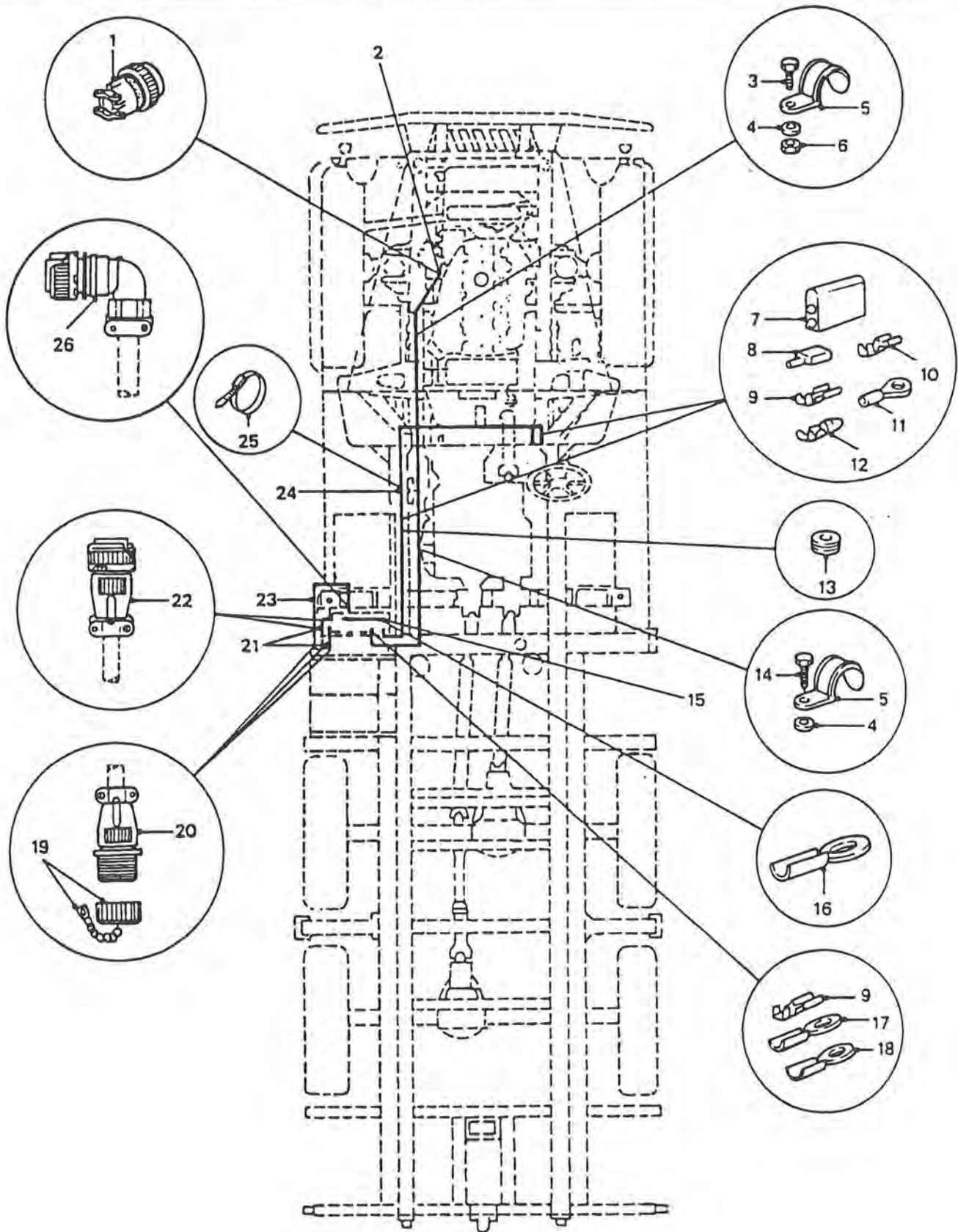


**WIRING HARNESSSES – FFR VEHICLES
– AMBULANCE AND AIR DEFENCE**

PERENTIE LAND ROVER PARTS LIST

ITEM	PART NO.	DESCRIPTION	NSN	DERIVATIVE CODE									
				2185	2186	2208	2209	2210	2211	2212	2219	CP	
1	BYG9006	PLUG-CANNON	5935-00-825-7282					1					1
2	AYG9957	HARNESS-DIST. BOX TO 24V ALTERNATOR						1					1
3	FS106201	SCREW	5305-99-122-5361					2					2
4	WC106041L	WASHER-PLAIN	5310-99-122-3411					4					4
5	HYG3502	CLIP-SADDLE	5340-66-128-5339					4					4
6	NY106041L	NUT-NYLOC	5310-99-138-8423					2					2
7	NSS												
8	NSS												
9	NSS												
10	NSS												
11	NSS												
12	MYH2565	TERMINAL	5940-66-128-4737					5					5
13	R269257	GROMMET	5325-99-828-1011					2					2
14	MYH3337	SCREW	5305-66-128-5341					2					2
15	AYG9921	CABLE-LINK-DIST. BOX-INTERNAL						1					1
16	NSS												
17	NSS												
18	NSS												
19	AYG9963	COVER & CHAIN-PDB OUTLETS	5935-00-221-8620					3					3
20	BYG9004	SOCKET	5935-66-128-5908					2					2
21	AYG9883	CABLE-DIST. BOX TO REAR CAB PANEL-OUTLET						2					2
22	BYG9003	PLUG-CANNON	5935-00-202-0960					1					1
23	AYG9882	CABLE-DIST. BOX TO REAR CAB PANEL-INLET						1					1
24	AYG9841	HARNESS-SUPP.-DIST. BOX TO GAUGES						1					1

GROUP QLA/1 SHEET 1



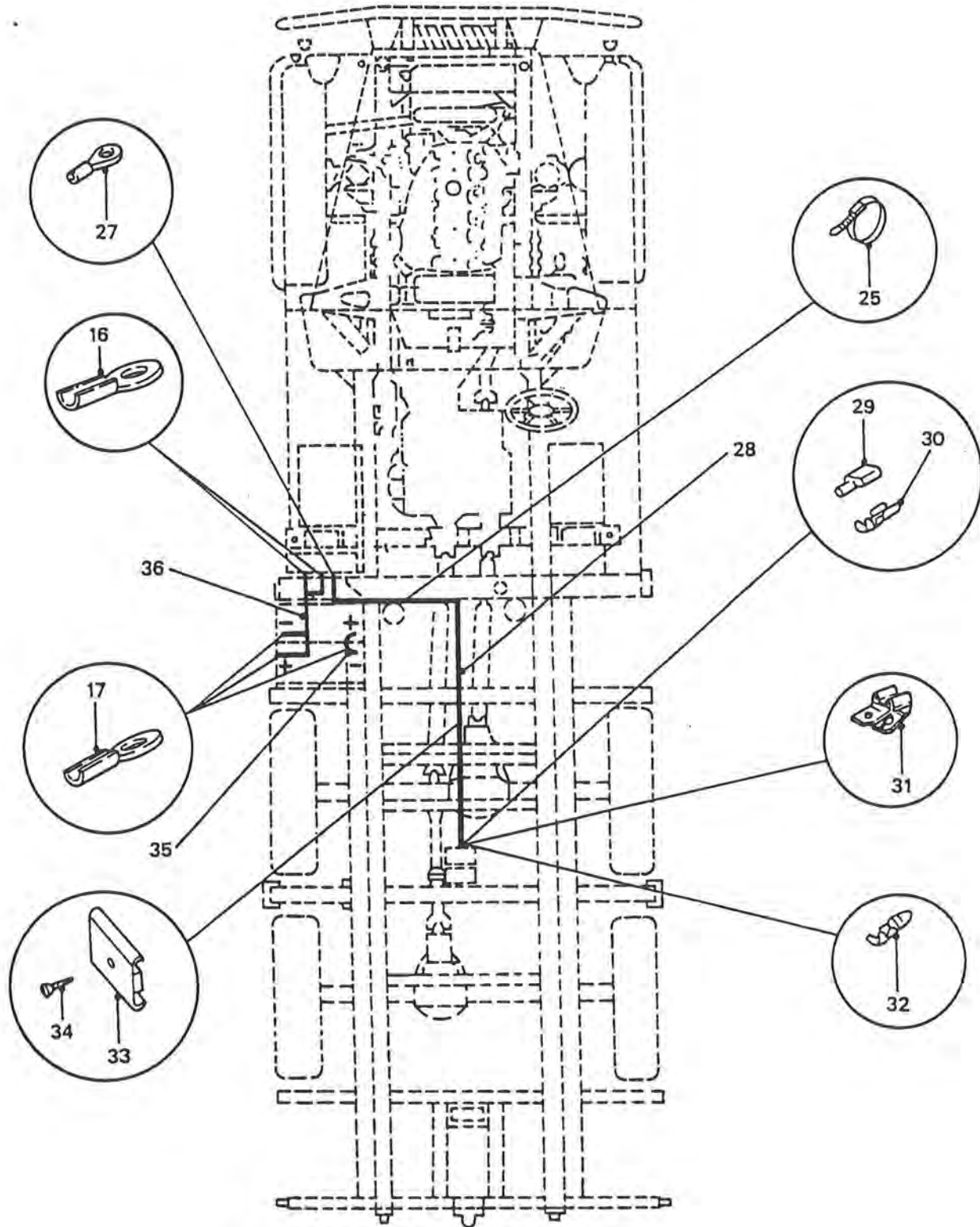
WIRING HARNESSSES – FFR VEHICLES – AMBULANCE AND AIR DEFENCE

PERENTIE LAND ROVER PARTS LIST

<u>ITEM</u>	<u>PART NO.</u>	<u>DESCRIPTION</u>	<u>NSN</u>	<u>DERIVATIVE CODE</u>							
				<u>2185</u>	<u>2186</u>	<u>2208</u>	<u>2209</u>	<u>2210</u>	<u>2211</u>	<u>2212</u>	<u>2219</u>
QLA /1/1 WIRING HARNESSSES - FFR - AMBULANCE AND AIR DEFENCE											
25	MYH1940	CABLE TIE	5340-99-618-3776					6			11
26	BYG9005	PLUG-CANNON	5935-00-836-8000					1			1
	NSS	LOCKWIRE-CANNON PLUG TO 24V ALTERNATOR									
	WA600161	WASHER-PLAIN, 24V HARNESS TO CAB REAR FLOOR PANEL						1			1
	MYH3388	SCREW-CABLE TO REAR CAB PANEL						12			12
	MYH3390	WASHER-LOCK						12			12
	MYH3389	NUT						12			12
	WA103001L	WASHER-PLAIN CABLE TO REAR CAB PANEL	5310-99-122-3030					9			9

CHANGE POINT

ARN INTRODUCTION

GROUP QLA/1 SHEET 2

**WIRING HARNESSSES – FFR VEHICLES
– AMBULANCE AND AIR DEFENCE – CONTINUED**

PERENTIE LAND ROVER PARTS LIST

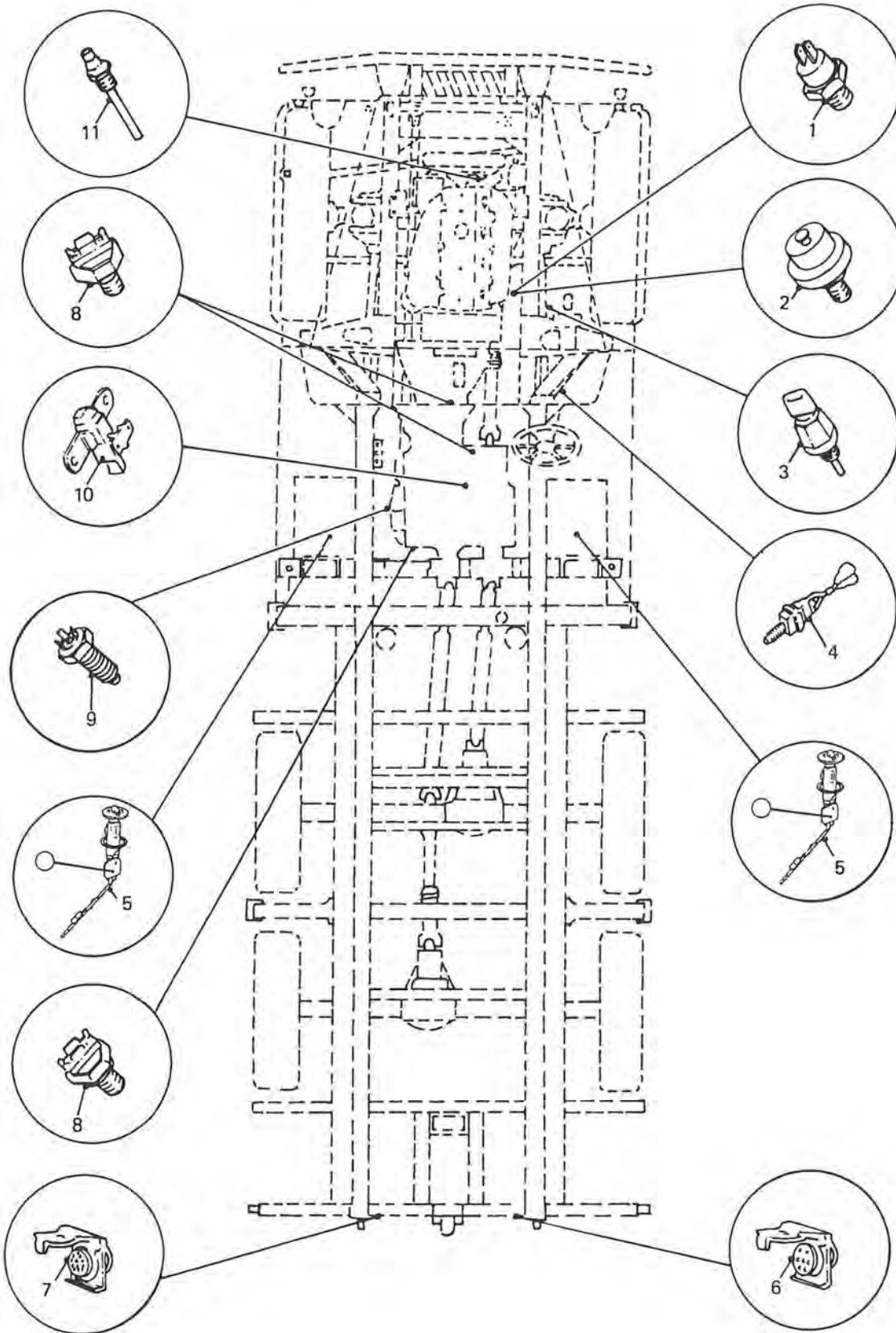
QLA /1/2 WIRING HARNESSSES - FFR - AMBULANCE AND AIR DEFENCE - CONTINUED
DERIVATIVE CODE

<u>ITEM</u>	<u>PART NO.</u>	<u>DESCRIPTION</u>	<u>NSN</u>	<u>2185</u>	<u>2186</u>	<u>2208</u>	<u>2209</u>	<u>2210</u>	<u>2211</u>	<u>2212</u>	<u>2219</u>	<u>CP</u>
16	NSS											
17	NSS											
25	MYH1940	CABLE TIE	5340-99-618-3776			6					11	
27	NSS											
28	BYG122	CABLE ASSY-24V RED / WHITE LAMP TO DISTRIBUTION BOX									1	
29	NSS											
30	NSS											
31	1YH9037	CONNECTOR-DOUBLE-JOIN RED / WHITE HARNESS TO DIST. BOX	5940-66-036-8141								1	
32	MYH2565	TERMINAL	5940-66-128-4737								1	
33	MYH3505	CLIP-CABLE TO CANOPY FRAME									7	
34	AD604061	SCREW									7	
35	AYG9920	CABLE-LINK	6140-66-128-5322			1					7	
36	AYG9966	CABLE-BATTERY TO DISTRIBUTION BOX	6140-66-128-5887			1					1	
	MYH5325/200	LOCKWIRE-CANNON PLUG TO 24V ALTERNATOR				1					1	
	WA600161	WASHER-PLAIN, 24V HARNESS TO CAB REAR FLOOR PANEL				1					1	
	MYH3388	SCREW-CABLE TO REAR CAB PANEL				12					12	
	MYH3390	WASHER-LOCK				12					12	
	MYH3389	NUT				12					12	
	WA108001L	WASHER-PLAIN CABLE TO REAR CAB PANEL	5310-99-122-3030			9					9	

CHANGE POINT

ARN INTRODUCTION

GROUP QM



SWITCH, SENDER UNIT AND SOCKET LOCATIONS

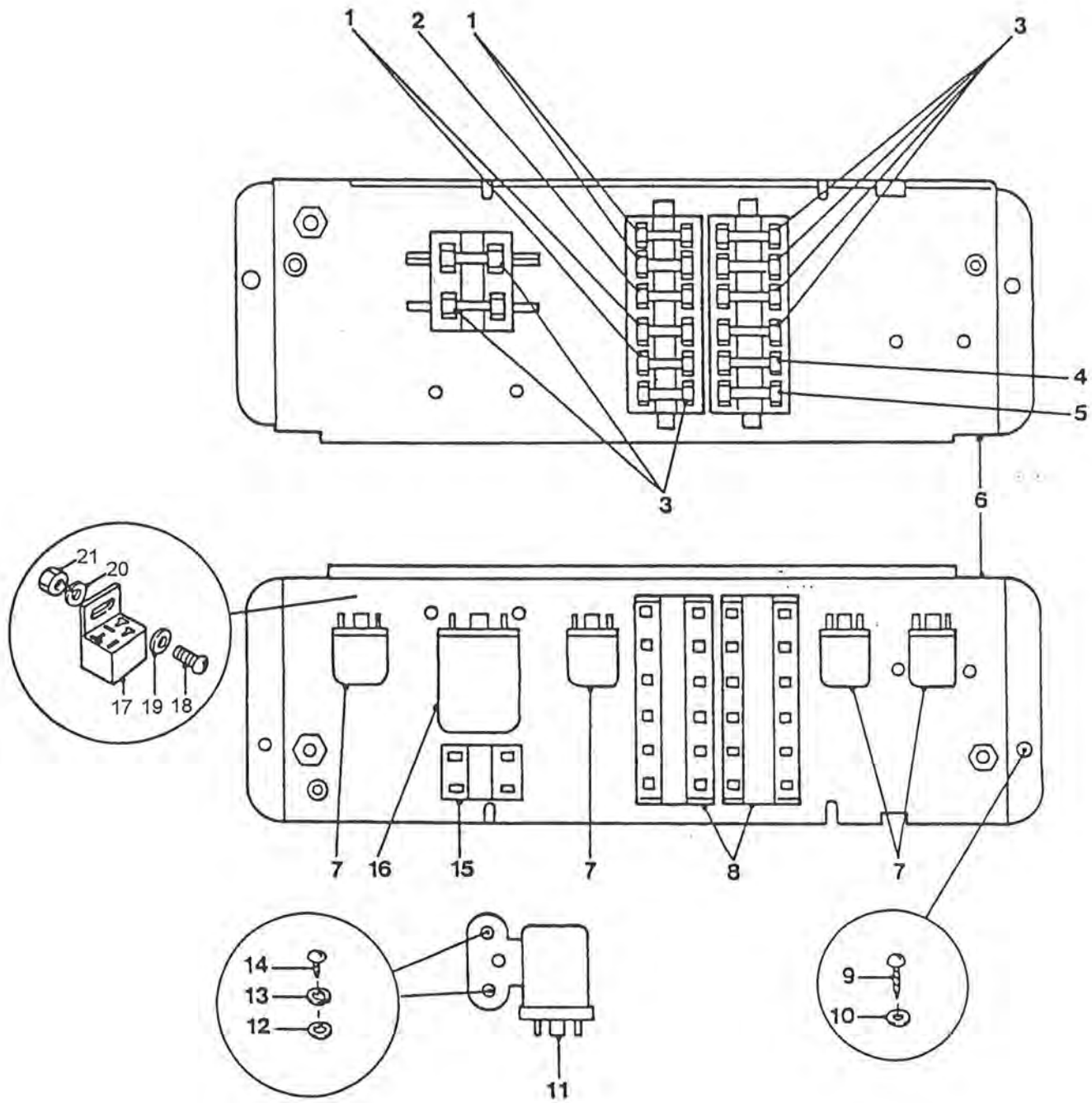
PERENTIE LAND ROVER PARTS LIST

ITEM	PART NO.	DESCRIPTION	NSN	DERIVATIVE CODE								
				2185	2186	2208	2209	2210	2211	2212	2219	CP
1	8941780030	SWITCH-PRESSURE-REVERSE LAMPS	5930-66-128-4812	1	1	1	1	1	1	1	1	1
2	9827202092	SWITCH-PRESSURE-OIL-ENGINE	5930-66-128-5402	1	1	1	1	1	1	1	1	1
	MYH3318	ADAPTOR-PRESSURE SWITCHES TO CYL. BLOCK	5340-66-128-4981	1	1	1	1	1	1	1	1	1
3	AAU1700	SWITCH-SHUTTLE VALVE	2530-99-839-0450	1	1	1	1	1	1	1	1	1
4	PRC4297	SWITCH-BRAKE WARNING LIGHT	5930-99-797-8645	1	1	1	1	1	1	1	1	1
5	AYG9825	UNIT-FUEL LEVEL	6680-66-128-4877	2	2	2	2	2	1	2	2	
5	BYG9133	UNIT-FUEL LEVEL-LRPV ONLY	6680-66-128-6117						1			
6	AYG9967	PLUG & HARNESS-7 PIN	5935-66-055-1378	1	1	1	1	1		1	1	
7	HYG582	NATO SOCKET	5935-66-010-7853	1	1	1	1	1	1	1	1	1
8	RTC4512	SWITCH-6WD	5930-99-768-3325	1	1	1	1	1	1	1	1	1
9	R575166	SWITCH-STOP LIGHT	5930-99-822-6376	1	1	1	1	1	1	1	1	1
10	ADU2888L	SWITCH-HANDBRAKE WARNING	5930-66-128-4764	1	1	1	1	1	1	1	1	1
11	AYG9603	TRANSMITTER-WATER TEMPERATURE	6685-66-095-8448	1	1	1	1	1	1	1	1	1

CHANGE POINT

ARN INTRODUCTION

GROUP QMA/1



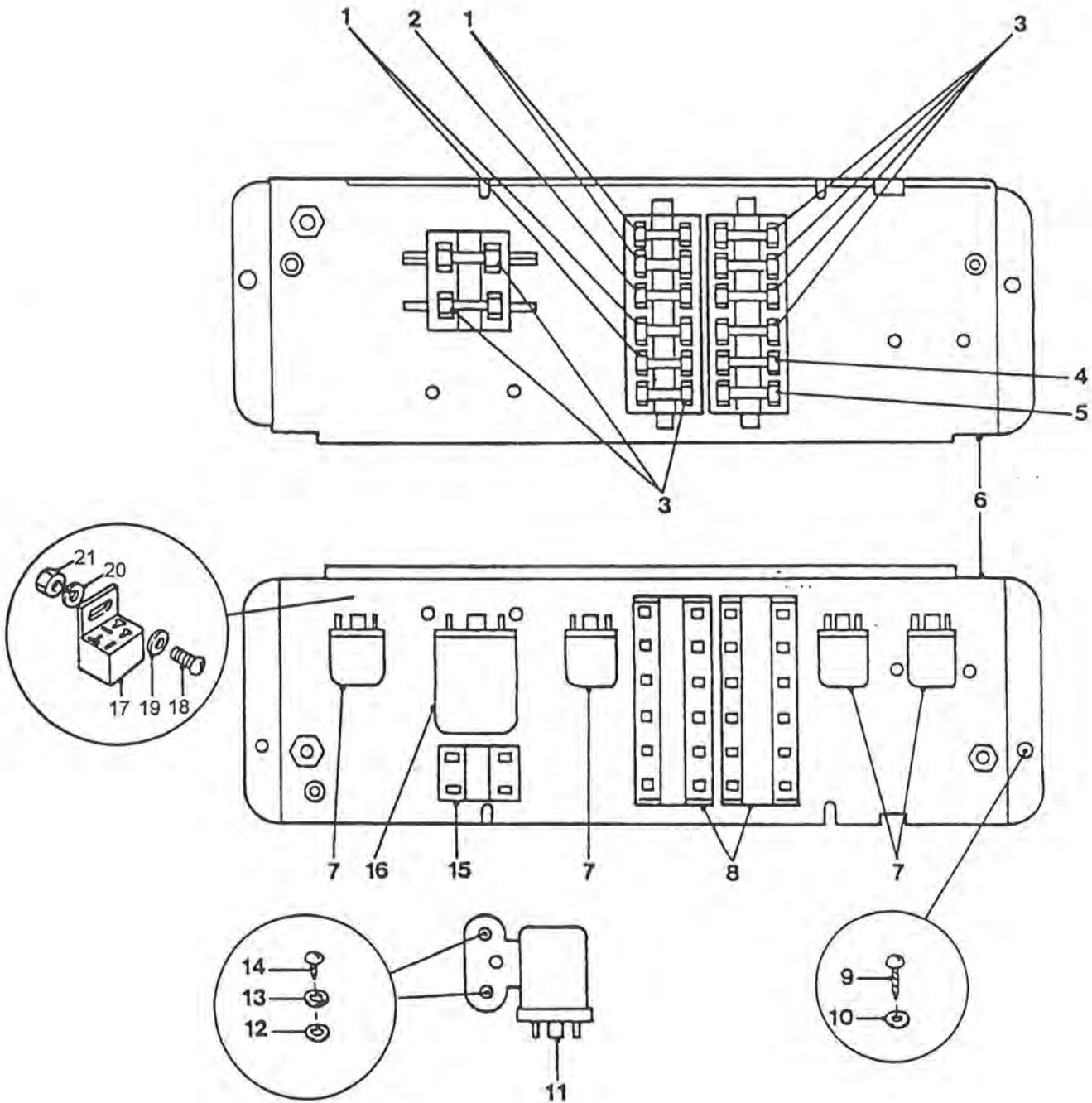
FUSES AND RELAYS (EARLY TYPE)

PERENTIE LAND ROVER PARTS LIST

QMA /1/1 FUSES AND RELAYS (EARLY TYPE)

ITEM	PART NO.	DESCRIPTION	NSN	DERIVATIVE CODE							
				2185	2186	2208	2209	2210	2211	2212	2219
1	RTC4785	FUSE-20 AMP	5920-66-128-4252	4	4	4	4	4		4	
2	RTC4505	FUSE-25 AMP	5920-66-128-4892	1	1	1	1	1		1	
3	RTC4502	FUSE-15 AMP	5920-99-803-4269	7	7	7	7	7		7	
4	RTC4482	FUSE-5 AMP	5920-99-804-8556	1	1	1	1	1		1	
5	RTC4500	FUSE-10 AMP	5920-66-017-7508	1	1	1	1	1		1	
6	AYG9996	PANEL-MOUNTING -FUSEBOX & RELAY		1	1	1	1	1		1	
7	YWB10032	RELAY	5945-99-739-6093	4	4	4	4	4		4	
8	STC197	BLOCK-FUSES		2	2	2	2	2		2	
9	SE106121L	SCREW-RELAY MOUNTING PANEL TO DASH	5305-99-122-5289	2	2	2	2	2		2	
10	WF600041	WASHER-LOCK	5310-66-016-5982	2	2	2	2	2		2	
11	5825530581	RELAY-IGNITION WARNING LAMP	5945-66-128-4890	2	2	2					
11	5825530581	RELAY-SHUTDOWN SOLENOID	5945-66-128-4890	2	2	2					
12	WA106001L	WASHER-PLAIN-RELAY TO DASH		4	4	4					
13	WL106001L	WASHER-LOCK	5310-99-137-9232	4	4	4					
14	SE106121L	SCREW	5305-99-122-5289	4	4	4					
15	PRC3737	FUSE BOX-BLACKOUT LIGHTING CIRCUIT		1	1	1	1	1		1	
16	PRC8876	FLASHER UNIT	5945-99-833-6818	1	1					1	
16	BYG9181	FLASHER UNIT-HEAVY DUTY	5945-66-128-6116			1	1	1			
	BYG9180	CONNECTOR PLUG -FLASHER UNIT				1	1	1			
17	HYL9428	BLOCK-RELAY		7	7	7	7	7		7	
18	SE105121L	SCREW-RELAY BLOCK TO PANEL	5305-99-135-0429	7	7	7	7	7		7	

GROUP QMA/1



FUSES AND RELAYS (EARLY TYPE)

PERENTIE LAND ROVER PARTS LIST

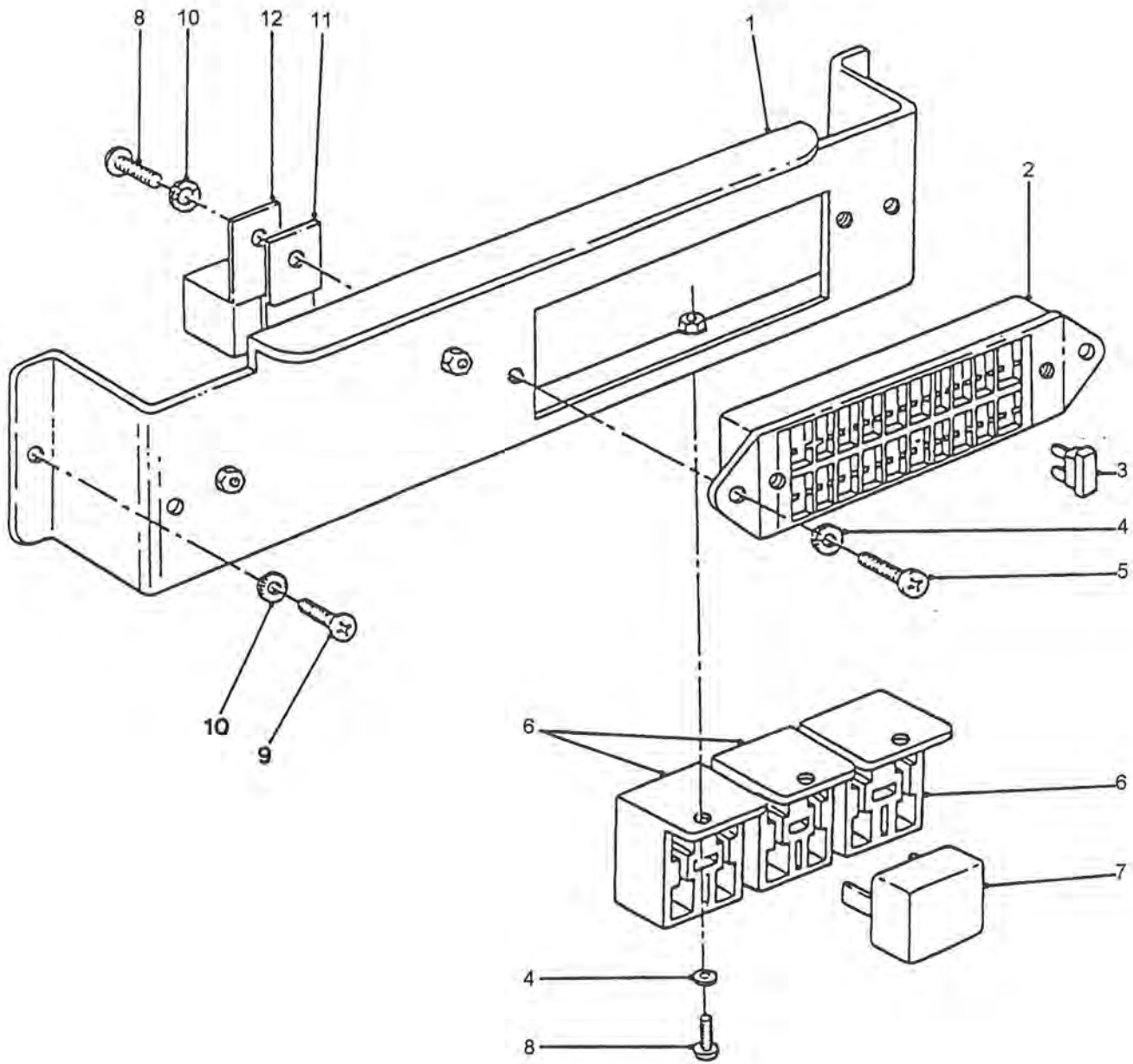
QMA /1/1 FUSES AND RELAYS (EARLY TYPE)

<u>ITEM</u>	<u>PART NO.</u>	<u>DESCRIPTION</u>	<u>NSN</u>	<u>DERIVATIVE CODE</u>							
				<u>2185</u>	<u>2186</u>	<u>2208</u>	<u>2209</u>	<u>2210</u>	<u>2211</u>	<u>2212</u>	<u>2219</u>
19	WA105001L	WASHER-PLAIN	5310-99-122-3032	7	7	7	7	7		7	
20	WL105001L	WASHER-LOCK	5310-99-977-1102	7	7	7	7	7		7	
21	NH105041L	NUT	5310-66-098-4400	7	7	7	7	7		7	
	RTC4502	FUSE-8 AMP-BLACKOUT LIGHTING CIRCUIT	5920-99-803-4269	2	2	2	2	2		2	

CHANGE POINT

ARN INTRODUCTION

GROUP QMA/2



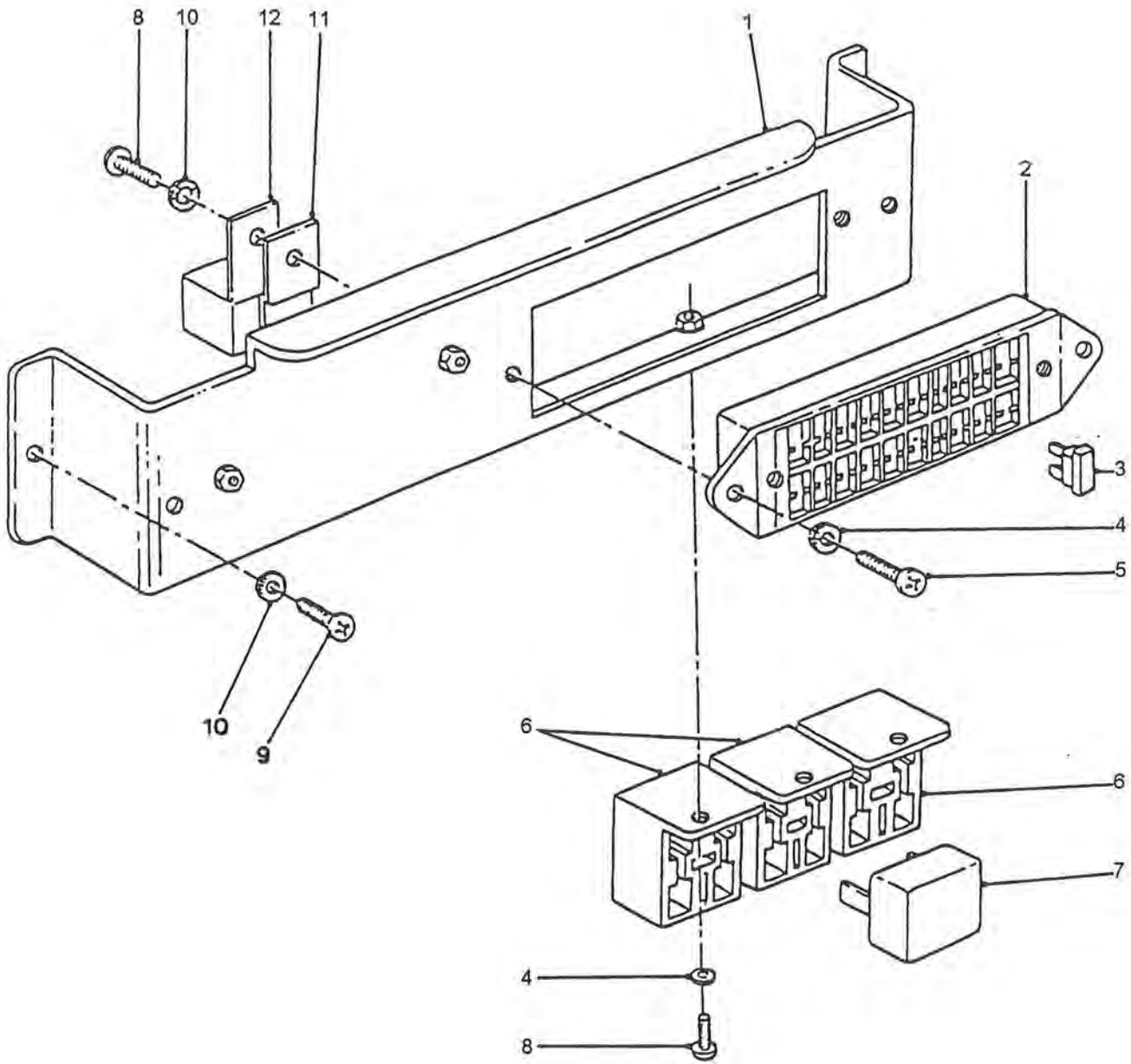
FUSES AND RELAYS (LATE TYPE)

PERENTIE LAND ROVER PARTS LIST

QMA /2/1 FUSES AND RELAYS (LATE TYPE)

ITEM	PART NO.	DESCRIPTION	NSN	DERIVATIVE CODE									
				2185	2186	2208	2209	2210	2211	2212	2219	CP	
1	PRC8072	PANEL-MOUNTING -FUSEBOX & RELAY		1	1	1	1	1	1	1	1	1	01
2	NSS												
3	RTC4481	FUSE-3 AMP	5920-99-766-9038	4	4	4	4	4	4	4	4	4	02
	RTC4497	FUSE-5AMP	5920-99-767-2990	4	4	4	4	4	4	4	4	4	02
	RTC4498	FUSE-7.5AMP	5920-99-759-5251	5	5	5	5	5	5	5	5	5	02
	RTC4501	FUSE-10AMP	5920-99-759-5252	1	1	1	1	1	1	1	1	1	02
	RTC4503	FUSE-15AMP	5920-99-759-5253	3	3	3	3	3	3	3	3	3	02
	RTC4504	FUSE-20AMP	5920-99-759-5254	3	3	3	3	3	3	3	3	3	02
4	WE105001	WASHER-FUSEBOX TO MOUNTING PANEL		5	5	5	5	5	5	5	5	5	
5	SE105161L	SCREW	5305-99-135-0430	2	2	2	2	2	2	2	2	2	
6	HYL9428	BLOCK-RELAY		4	4	4	4	4	4	4	4	4	
7	YWB10032	RELAY	5945-99-739-6093	4	4	4	4	4	4	4	4	4	02
8	SE105121L	SCREW-RELAYS TO MOUNTING PANEL	5305-99-135-0429	4	4	4	4	4	4	4	4	4	
9	SE106121L	SCREW-MOUNTING PANEL TO DASH	5305-99-122-5289	2	2	2	2	2	2	2	2	2	
10	WF600041	WASHER-LOCK	5310-66-016-5982	3	3	3	3	3	3	3	3	3	
11	PRC8876	FLASHER UNIT	5945-99-833-6818	1	1					1	1	1	02
11	BYG9181	FLASHER UNIT-HEAVY DUTY	5945-66-128-6116			1	1	1					

GROUP QMA/2



FUSES AND RELAYS (LATE TYPE)

PERENTIE LAND ROVER PARTS LIST

QMA /2/1 FUSES AND RELAYS (LATE TYPE)

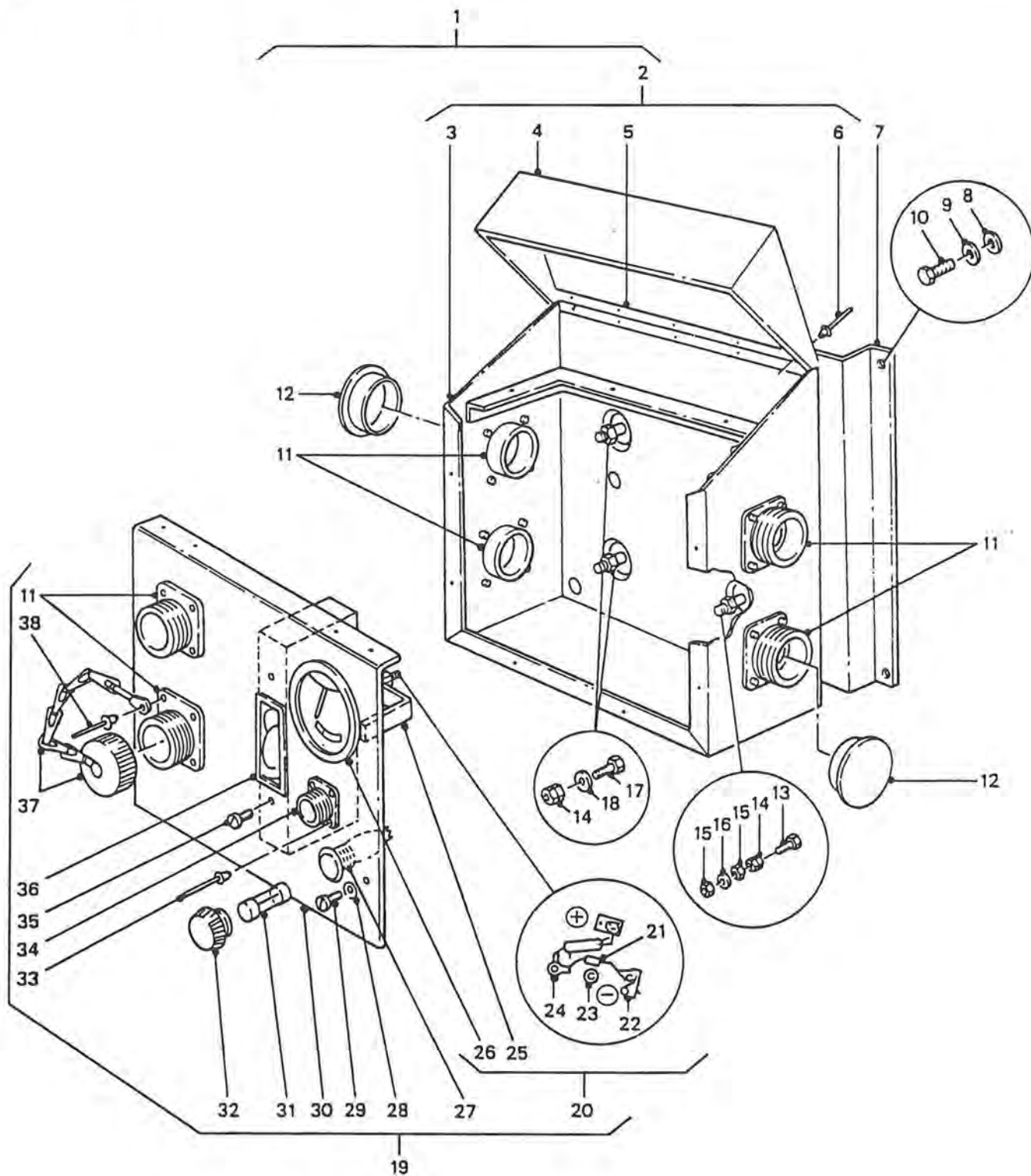
ITEM	PART NO.	DESCRIPTION	NSN	DERIVATIVE CODE									
				2185	2186	2208	2209	2210	2211	2212	2219	CP	
	BYG9180	CONNECTOR PLUG -FLASHER UNIT				1	1	1					
12	PRC6864	RELAY-WIPER DELAY	5945-66-128-6039	1	1	1	1	1	1	1	1	1	02
	DRC1245	BRACKET-WIPER DELAY RELAY TO FUSE BOX MOUNTING PANEL		1	1	1	1	1	1	1	1	1	
	5825530581	RELAY-SHUTDOWN SOLENOID	5945-66-128-4890	1	1	1	1	1	1	1	1	1	
	5825530581	RELAY-IGNITION WARNING LAMP	5945-66-128-4890	1	1	1	1	1	1	1	1	1	
	SE106121L	SCREW-RELAY TO DASH	5305-99-122-5289	4	4	4	4	4	4	4	4	4	
	WA106001L	WASHER-PLAIN		4	4	4	4	4	4	4	4	4	
	WL106001L	WASHER-LOCK	5310-99-137-9232	4	4	4	4	4	4	4	4	4	
	HAM4301L	SPARE FUSE HOLDER		1	1	1	1	1	1	1	1	1	
	PRC4412	EXTRACTOR-FUSE		1	1	1	1	1	1	1	1	1	

CHANGE POINT

ARN INTRODUCTION

- 1 50-842 MAINTENANCE ELECTRONIC VEHICLE
- 2 ELECTRICAL COMPONENTS ON L.R.P.V. ONLY, REQUIRE PROTECTION FROM WATER INGRESS AND CORROSION WHEN OPERATING IN SALT WATER WADING CONDITIONS. RELAYS, FLASHER UNIT, AND WIPER DELAY UNIT TO BE DIPPED IN DOW CORNING CONFORMAL COATING. ALL ABOVE COMPONENTS TO BE SPRAYED WITH ZEP IRONCLAD SOLUTION BEFORE ASSEMBLY TO CONNECTORS.

GROUP QN/1 SHEET 1

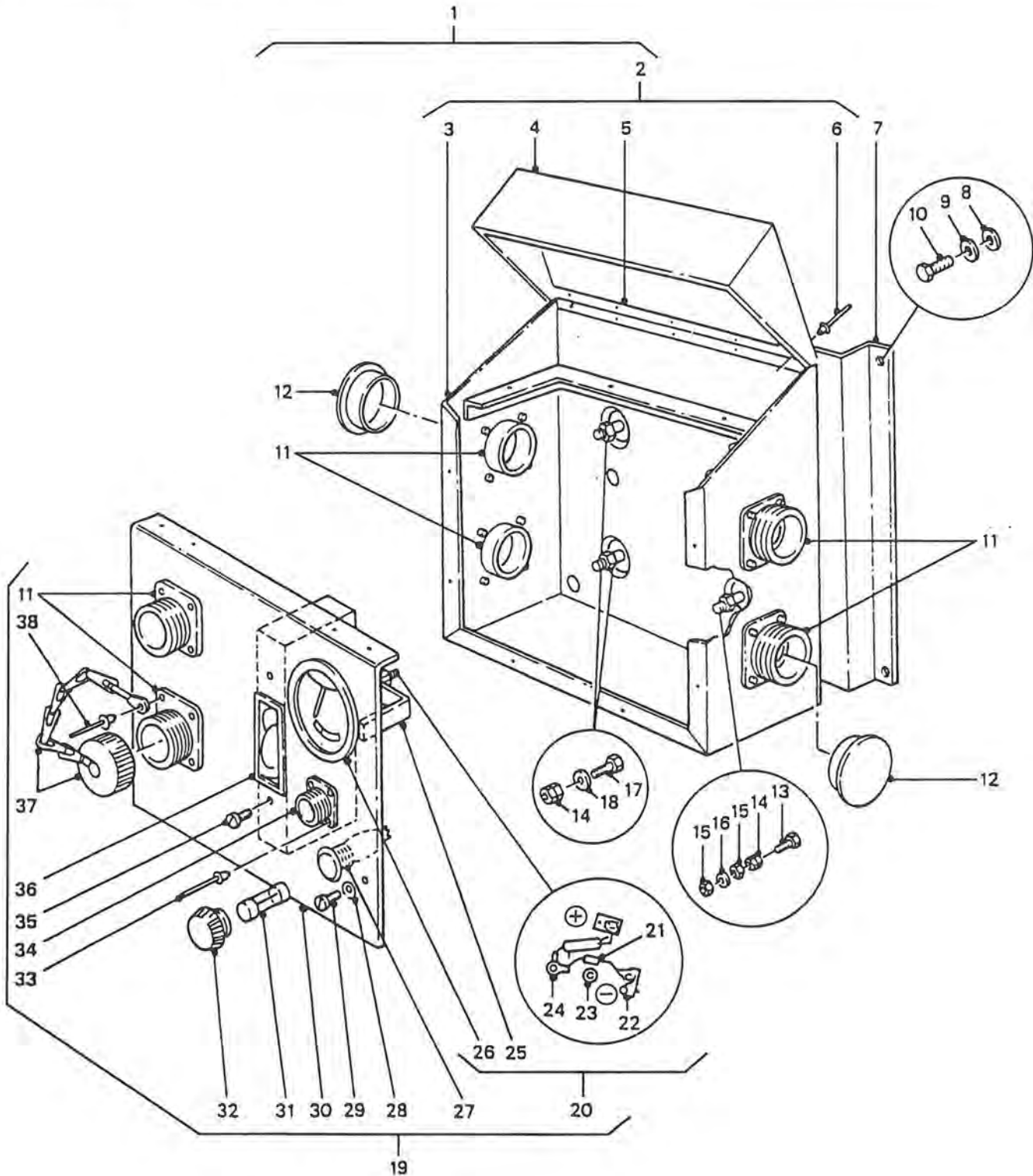


**DISTRIBUTION BOX – FFR VEHICLES
– AMBULANCE AND AIR DEFENCE**

PERENTIE LAND ROVER PARTS LIST

ITEM	PART NO.	DESCRIPTION	NSN	DERIVATIVE CODE									
				2185	2186	2208	2209	2210	2211	2212	2219	CP	
1	AYG9964	DISTRIBUTION BOX	6110-66-099-7245			1						1	
2	NSS												
3	NSS												
4	NSS												
5	NSS												
6	NSS												
7	HYG3476	PLATE-MOUNTING				1							1
8	WC106041L	WASHER-PLAIN	5310-99-122-3411			4							4
9	WL106001L	WASHER-LOCK	5310-99-137-9232			4							4
10	SH106301L	SCREW	5305-99-122-5363			4							4
11	HYL8800	CONNECTOR	5935-01-260-9660			6							6
12	NSS												
13	NSS												
14	NN105021L	NUTSERT	5310-99-629-3331			4							4
15	NH105041L	NUT	5310-66-098-4400			2							2
16	WL105001L	WASHER-LOCK	5310-99-977-1102			1							1
17	SH105201L	SCREW	5305-66-128-4906			3							3
18	WA105001L	WASHER-PLAIN	5310-99-122-3032			3							3
19	NSS												
20	HYL8808	VOLTMETER-BATTERY INDICATOR	6625-66-128-5329			1							1
21	NSS												
22	NSS												
23	NSS												
24	HYL8807	CAPACITOR	5910-00-113-5499			1							1
25	NSS												
26	NSS												
27	HYL8805	FUSE HOLDER	5920-99-012-0231			1							1
28	NSS												

GROUP QN/1 SHEET 1



**DISTRIBUTION BOX – FFR VEHICLES
– AMBULANCE AND AIR DEFENCE**

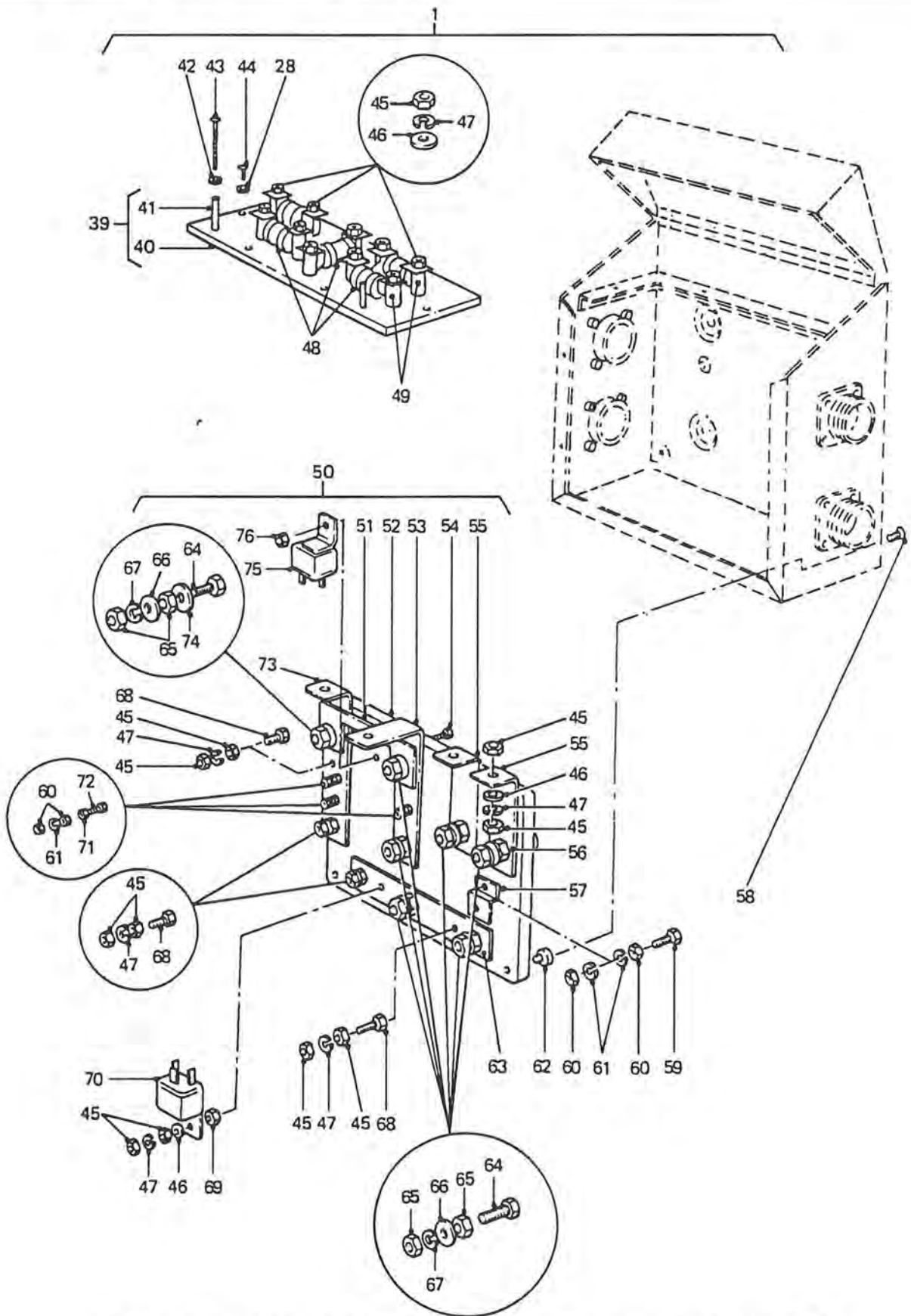
PERENTIE LAND ROVER PARTS LIST

QN /1/1		DISTRIBUTION BOX - FFR - AMBULANCE AND AIR DEFENCE										
		DERIVATIVE CODE										
<u>ITEM</u>	<u>PART NO.</u>	<u>DESCRIPTION</u>	<u>NSN</u>	<u>2185</u>	<u>2186</u>	<u>2208</u>	<u>2209</u>	<u>2210</u>	<u>2211</u>	<u>2212</u>	<u>2219</u>	<u>CP</u>
29	NSS											
30	NSS											
31	HYL8802	FUSE LINK	5920-66-017-7513					1				1
32	NSS											
33	NSS											
34	HYL8801	CONNECTOR	5935-00-502-7776					1				1
35	NSS											
36	HYL8806	CIRCUIT BREAKER-100AMP	5925-66-109-3019					1				1
37	HYL8803	DUST CAP-COVER-CONNECTOR -LARGE						6				6
38	RU608123L	POP RIVET	5320-66-128-4634					24				24

CHANGE POINT

ARN INTRODUCTION

GROUP QN/1 SHEET 2



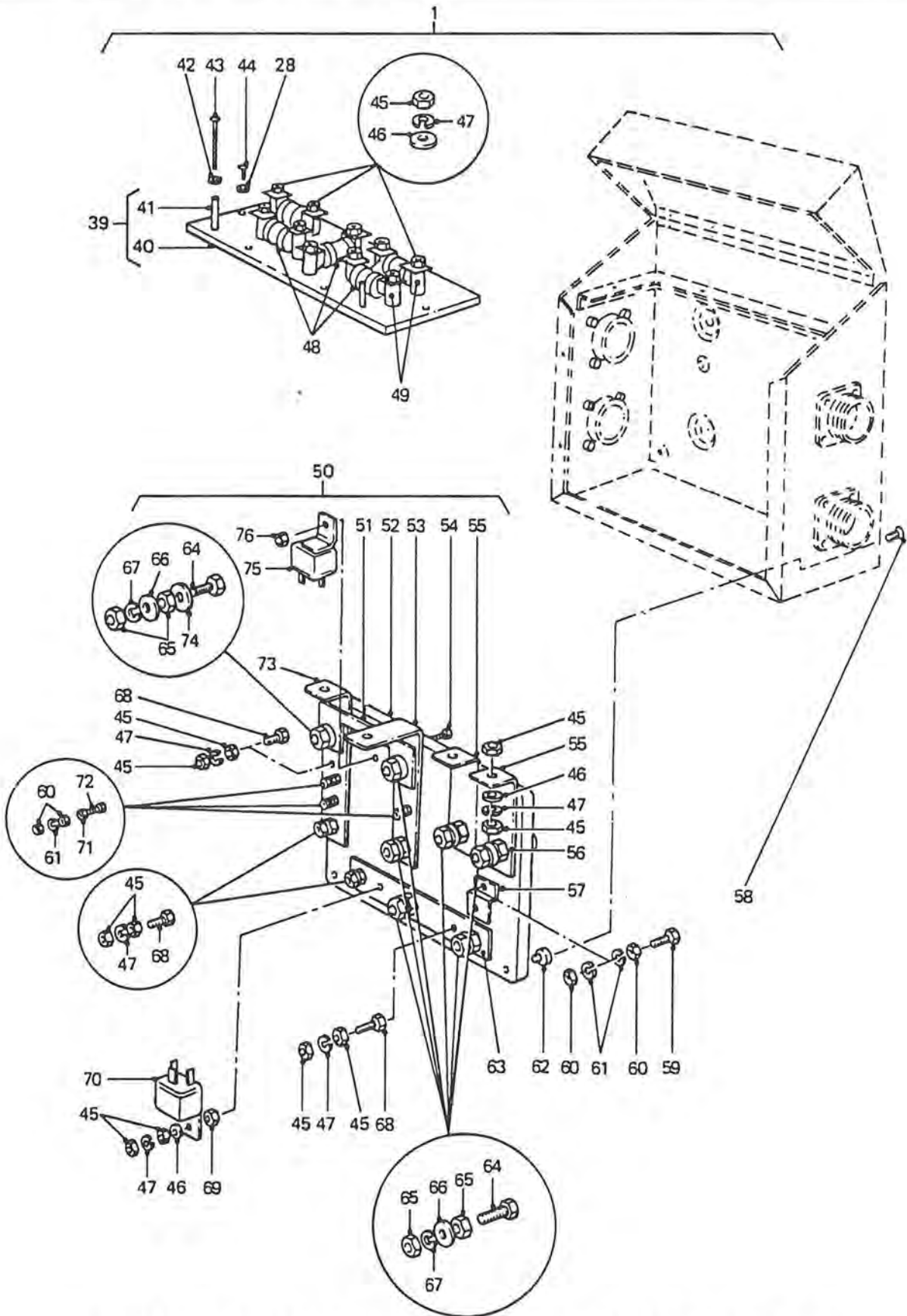
**DISTRIBUTION BOX – FFR VEHICLES
– AMBULANCE AND AIR DEFENCE – CONTINUED**

PERENTIE LAND ROVER PARTS LIST

QN /1/2 DISTRIBUTION BOX - FFR VEHICLES - AMBULANCE & AIR DEFENCE - CONTINUED
DERIVATIVE CODE

<u>ITEM</u>	<u>PART NO.</u>	<u>DESCRIPTION</u>	<u>NSN</u>	<u>2185</u>	<u>2186</u>	<u>2208</u>	<u>2209</u>	<u>2210</u>	<u>2211</u>	<u>2212</u>	<u>2219</u>	<u>CP</u>
39	NSS											
40	NSS											
41	NSS											
42	HYL8799	RING-SEALING	5330-99-821-2510			2					2	
43	HYL8797	SCREW	5305-66-109-3335			2					2	
44	NSS											
45	NSS											
46	NSS											
47	NSS											
48	HYL8798	FUSE LINK	5920-66-120-5459			5					5	
49	NSS											
50	NSS											
51	NSS											
52	NSS											
53	NSS											
54	NSS											
54	NSS											
55	NSS											
56	NSS											
57	NSS											
58	NSS											
59	NSS											
60	NSS											
61	NSS											
62	NSS											
63	NSS											
64	NSS											
65	NSS											
66	NSS											

GROUP QN/1 SHEET 2



**DISTRIBUTION BOX - FFR VEHICLES
- AMBULANCE AND AIR DEFENCE - CONTINUED**

PERENTIE LAND ROVER PARTS LIST

QN /1/2 DISTRIBUTION BOX - FFR VEHICLES - AMBULANCE & AIR DEFENCE - CONTINUED

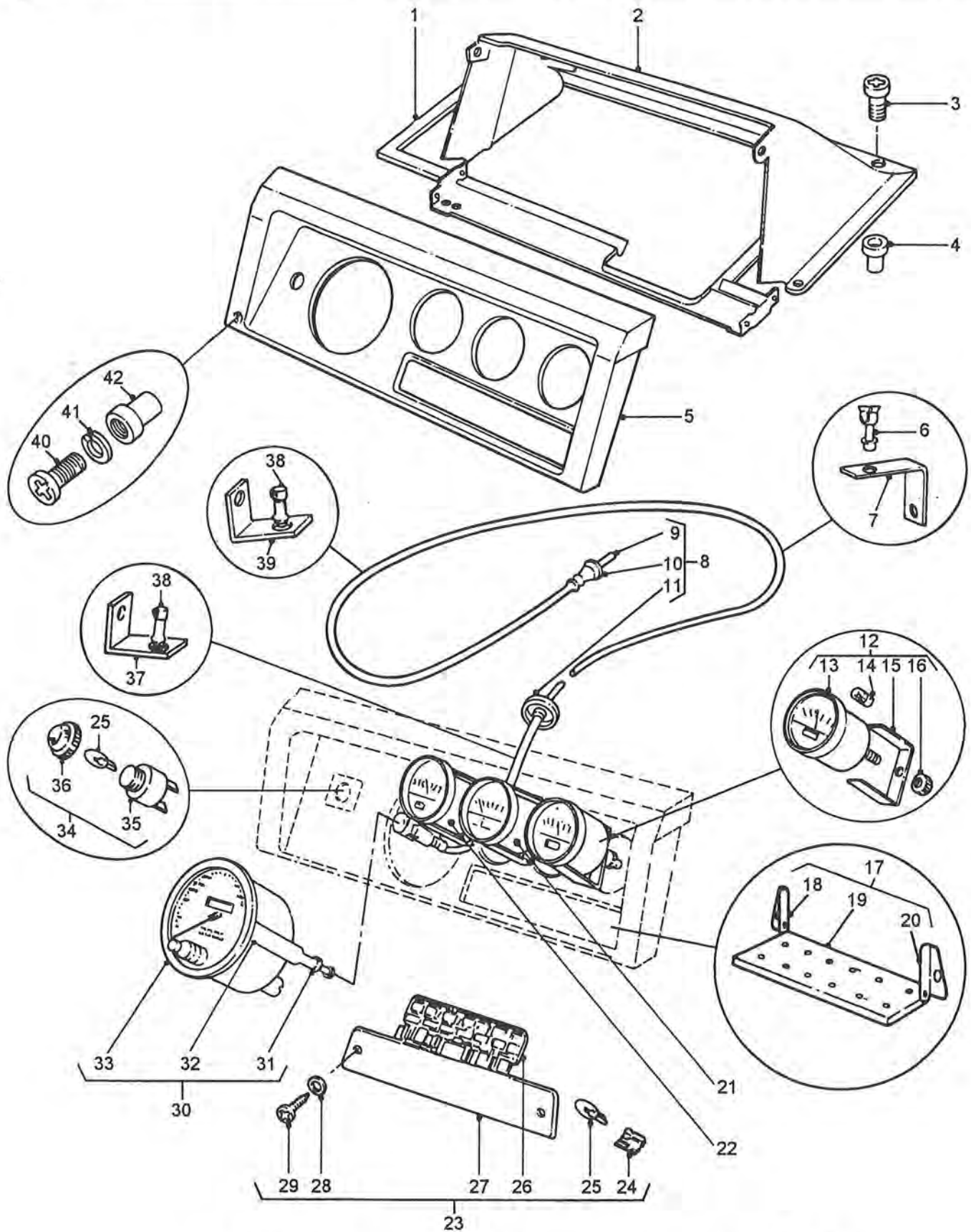
DERIVATIVE CODE

<u>ITEM</u>	<u>PART NO.</u>	<u>DESCRIPTION</u>	<u>NSN</u>	<u>2185</u>	<u>2186</u>	<u>2208</u>	<u>2209</u>	<u>2210</u>	<u>2211</u>	<u>2212</u>	<u>2219</u>	<u>CP</u>
67	NSS											
68	NSS											
69	NSS											
70	HYL8810	RELAY-240V, 20AMP	5945-12-164-0194			1					1	
71	NSS											
72	NSS											
73	NSS											
74	NSS											
75	HYL8809	RELAY				1					1	
76	JSS											
	HYL8640	GLOBE-12V, 2W-BATTERY INDICATOR	6240-66-011-5042			1					1	
	HYL8804	DUST CAP-COVER-CONNECTOR -SMALL				1					1	

CHANGE POINT

ARN INTRODUCTION

GROUP QNA/1



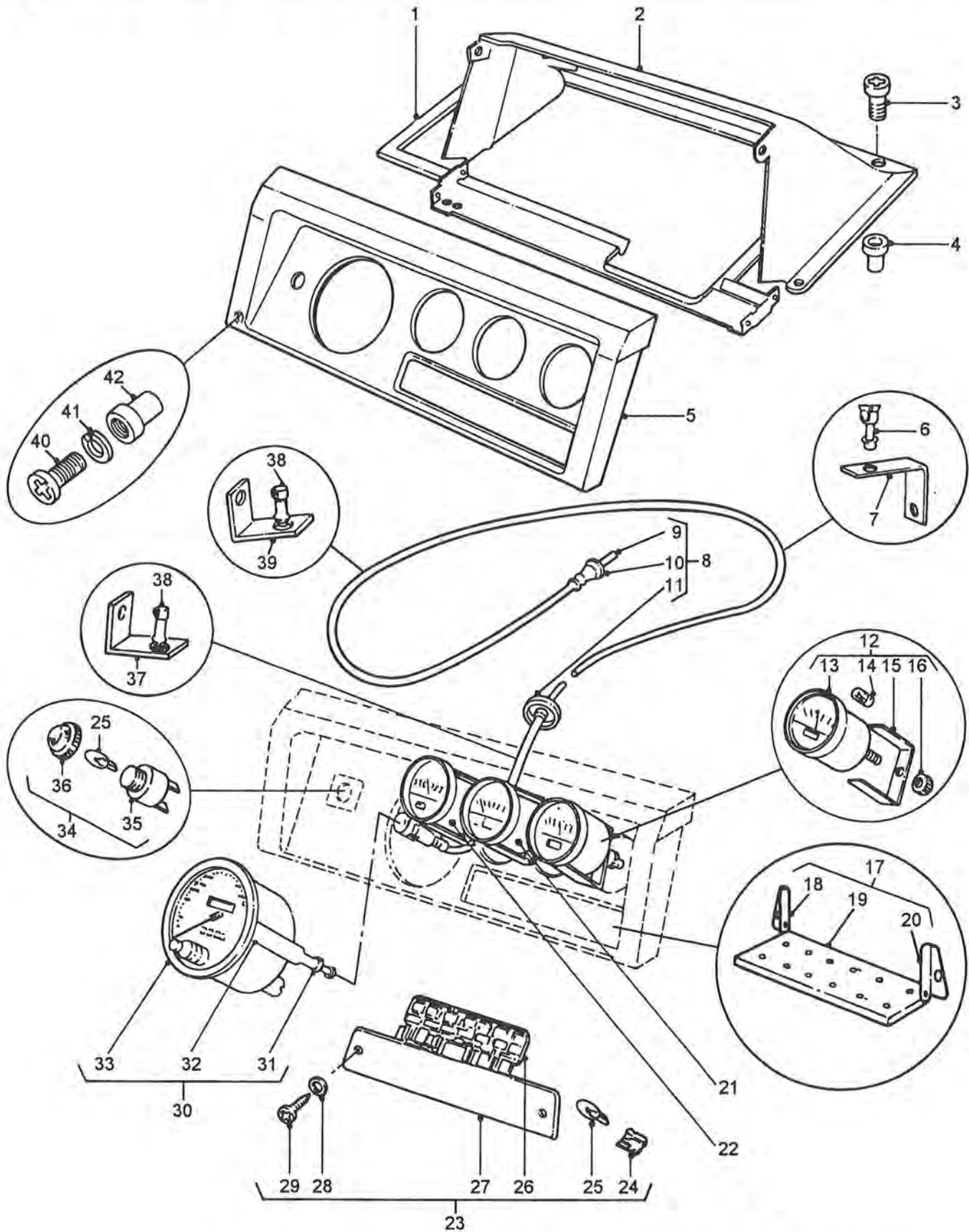
**INSTRUMENT PANEL, GAUGES &
SPEEDOMETER CABLE - CARGO VEHICLES**

PERENTIE LAND ROVER PARTS LIST

QNA /1/1 INSTRUMENT PANEL, GAUGES & SPEEDOMETER CABLE - CARGO VEHICLES

ITEM	PART NO.	DESCRIPTION	NSN	DERIVATIVE CODE								
				2185	2186	2208	2209	2210	2211	2212	2219	CP
1	HYG3530	GASKET-BINNACLE		1	1							1
2	HYG4451	BINNACLE-INSTRUMENTS	2540-66-128-6299	1	1							1
3	SF105204	SCREW		7	7							7
4	MP105500	RIVNUT	5310-66-128-5438	7	7							7
5	HYG4456	PANEL-INSTRUMENTS		1								
5	HYG4458	PANEL-INSTRUMENTS -WITH WINCH LAMP			1							1
6	R79121	CLIP	2910-99-825-6380	1	1							1
7	AYG2709	BRACKET-SPEEDO CABLE		1	1							1
8	RC6023	CABLE ASSY -SPEEDOMETER	6680-66-128-4291	1	1							1
9	NSS											
10	NSS											
11	NSS											
12	AYG9754	GAUGE-VOLTMETER	6620-66-128-4359	1	1							1
13	NSS											
14	HYL8640	GLOBE-12V, 2W-INSTRUMENTS	6240-66-011-5042	3	3							3
	MYH3265	SLEEVE-INSTRUMENT LIGHTS	6220-66-128-5007	3	3							3
15	ISS											
16	NSS											
17	HYG4503	KIT-BLACKOUT COVER	2540-66-128-6020	1	1							1
18	NSS											
19	NSS											
20	NSS											
21	AYG9753	GAUGE-WATER TEMPERATURE	6625-66-128-4360	1	1							1
22	AYG9756	GAUGE-FUEL	6680-66-109-1748	1	1							1
23	PRC6657	MODULE-WARNING LAMP	2540-66-128-5006	1	1							1

GROUP QNA/1



**INSTRUMENT PANEL, GAUGES &
SPEEDOMETER CABLE - CARGO VEHICLES**

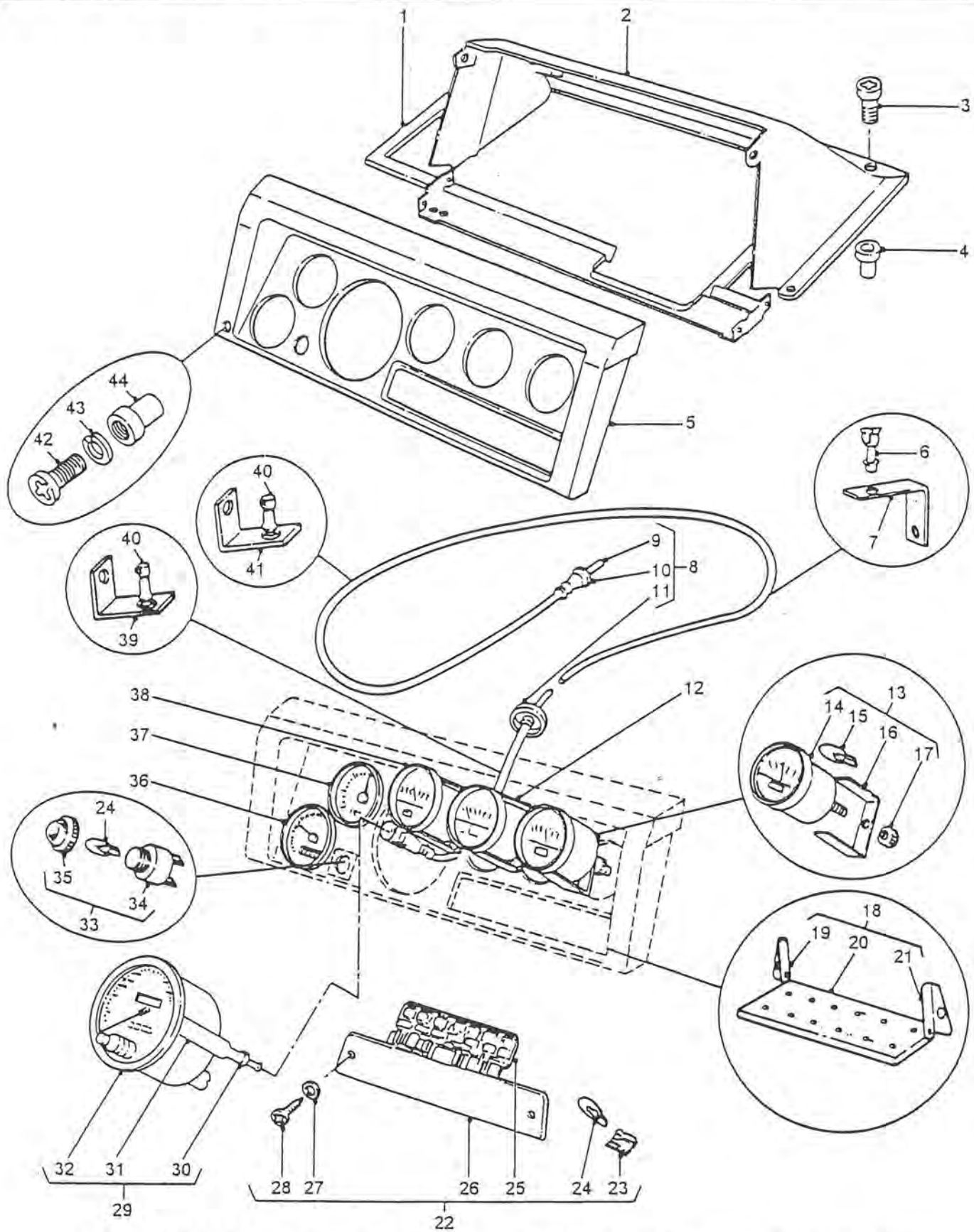
PERENTIE LAND ROVER PARTS LIST

ITEM	PART NO.	DESCRIPTION	NSN	DERIVATIVE CODE							CP
				2185	2186	2208	2209	2210	2211	2212	
QNA /1/1 INSTRUMENT PANEL, GAUGES & SPEEDOMETER CABLE - CARGO VEHICLES											
24	AEU2722	HOLDER-GLOBE		18	18						18
25	RTC3635	GLOBE	6240-99-995-4499	17	17						17
	MYH3316	GLOBE-LOW FUEL WARNING LIGHT	6240-66-128-5005	1	1						1
	RTC3635	GLOBE-6WD SYMBOL WARNING LIGHT	6240-99-995-4499	1	1						1
26	AEU2721	PRINTED CIRCUIT BOARD	5999-99-797-3850	1	1						1
27	NSS										
28	NSS										
29	NSS										
30	PRC7374	GAUGE-SPEEDOMETER	6680-66-128-5018	1	1						1
	BFS501	GLOBE-12V, 5W -SPEEDOMETER	6240-99-995-2312	2	2						2
31	NSS										
32	NSS										
33	NSS										
34	MYH3375	LAMP-WARNING-WINCH & PTO	6220-66-128-5816		1						1
35	NSS										
36	NSS										
37	PRC2979	BRACKET-SPEEDO CABLE TO GEARBOX		1	1						1
38	PRC3180	CLIP	5340-66-128-4611	3	3						3
39	PRC2980	BRACKET-SPEEDO CABLE		1	1						1
40	SE104164	SCREW	5305-66-128-5817	5	5						5
41	WL104004	WASHER-LOCK	5310-66-128-5818	5	5						5
42	MP104400	RIVNUT	5310-66-128-5819	7	7						7

CHANGE POINT

ARN INTRODUCTION

GROUP QNA/2



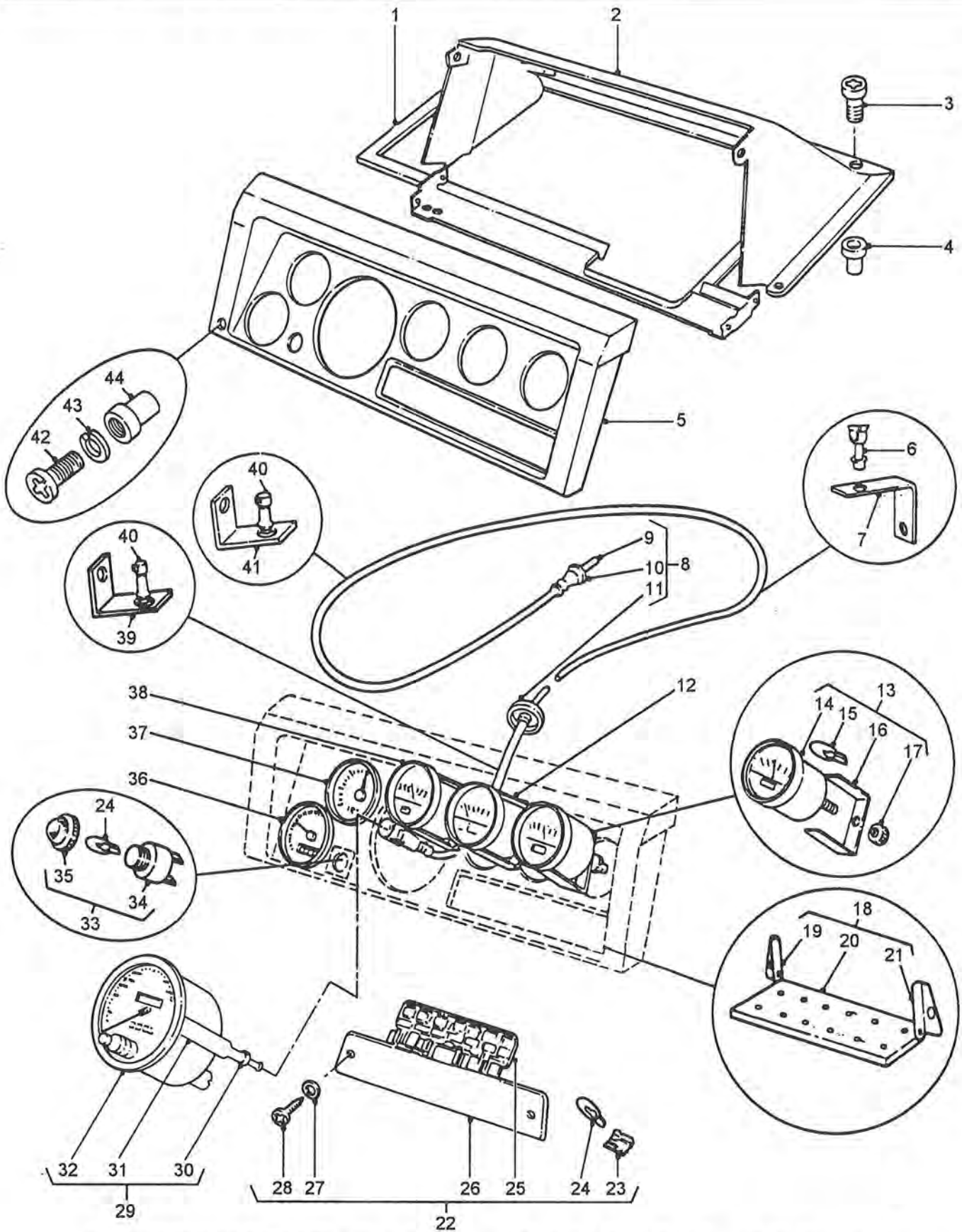
**INSTRUMENT PANEL, GAUGES & SPEEDO
CABLE – AMBULANCE & AIR DEFENCE**

PERENTIE LAND ROVER PARTS LIST

**QNA /2/1 INSTRUMENT PANEL, GAUGES & SPEEDO CABLE - AMBULANCE & AIR DEFENCE
DERIVATIVE CODE**

<u>ITEM</u>	<u>PART NO.</u>	<u>DESCRIPTION</u>	<u>NSN</u>	<u>2185</u>	<u>2186</u>	<u>2208</u>	<u>2209</u>	<u>2210</u>	<u>2211</u>	<u>2212</u>	<u>2219</u>	<u>CP</u>
1	HYG3530	GASKET-BINNACLE				1				1		
2	HYG4451	BINNACLE-INSTRUMENTS	2540-66-128-6299			1				1		
3	SF105204	SCREW				7				7		
4	MP105500	RIVNUT	5310-66-128-5438			7				7		
5	HYG4462	PANEL-INSTRUMENTS				1				1		
6	R79121	CLIP	2910-99-825-6380			1				1		
7	AYG2709	BRACKET-SPEEDO CABLE				1				1		
8	PRC6023	CABLE ASSY -SPEEDOMETER	6680-66-128-4291			1				1		
9	ISS											
10	NSS											
11	NSS											
12	AYG9753	GAUGE-TEMPERATURE	6625-66-128-4360			1				1		
13	AYG9754	GAUGE-VOLTMETER	6620-66-128-4359			1				1		
15	HYL8640	GLOBE-12V, 2W-INSTRUMENTS	6240-66-011-5042			5				5		
	MYH3265	SLEEVE-INSTRUMENT LIGHTS	6220-66-128-5007			5				5		
16	NSS											
17	NSS											
18	HYG4503	KIT-BLACKOUT COVER	2540-66-128-6020			1				1		
19	ISS											
20	NSS											
21	NSS											
22	PRC6657	MODULE-WARNING LAMP	2540-66-128-5006			1				1		
23	AEU2722	HOLDER-GLOBE				18				18		
24	RTC3635	GLOBE	6240-99-995-4499			17				17		
	MYH3316	GLOBE-LOW FUEL WARNING LIGHT	6240-66-128-5005			1				1		
	RTC3635	GLOBE-HANDBRAKE WARNING LIGHT	6240-99-995-4499			1				1		

GROUP QNA/2



**INSTRUMENT PANEL, GAUGES & SPEEDO
CABLE – AMBULANCE & AIR DEFENCE**

PERENTIE LAND ROVER PARTS LIST

QNA /2/1 INSTRUMENT PANEL, GAUGES & SPEEDO CABLE - AMBULANCE & AIR DEFENCE
DERIVATIVE CODE

<u>ITEM</u>	<u>PART NO.</u>	<u>DESCRIPTION</u>	<u>NSN</u>	<u>2185</u>	<u>2186</u>	<u>2208</u>	<u>2209</u>	<u>2210</u>	<u>2211</u>	<u>2212</u>	<u>2219</u>	<u>CP</u>
	RTC3635	GLOBE-6WD SYMBOL WARNING LIGHT	6240-99-995-4499			1					1	
25	AEU2721	PRINTED CIRCUIT BOARD	5999-99-797-3850			1					1	
26	NSS											
27	NSS											
28	NSS											
29	PRC7374	GAUGE-SPEEDOMETER	6680-66-128-5018			1					1	
	BFS501	GLOBE-12V, 5W -SPEEDOMETER	6240-99-995-2312			2					2	
30	NSS											
31	NSS											
32	NSS											
33	MYH3375	LAMP-WARNING-WINCH & PTO	6220-66-128-5816			1					1	
34	NSS											
35	NSS											
36	AYG9755	HOURLMETER	6645-66-098-2760			1					1	
37	AYG9757	AMMETER-150-0-150 AMPS	6625-66-135-0419			1					1	
38	AYG9756	GAUGE-FUEL	6680-66-109-1748			1					1	
39	PRC2979	BRACKET-SPEEDO CABLE TO GEARBOX				1					1	
40	PRC3180	CLIP	5340-66-128-4611			3					3	
41	PRC2980	BRACKET-SPEEDO CABLE				1					1	
42	SE104164	SCREW	5305-66-128-5817			5					5	
43	WL104004	WASHER-LOCK	5310-66-128-5818			5					5	
44	MM104301	RIVNUT				7					7	

CHANGE POINT

ARN INTRODUCTION

PERENTIE LAND ROVER PARTS LIST

**QNA /3/1 INSTRUMENT PANEL, GAUGES & SPEEDOMETER CABLE - GMV & ERV
DERIVATIVE CODE**

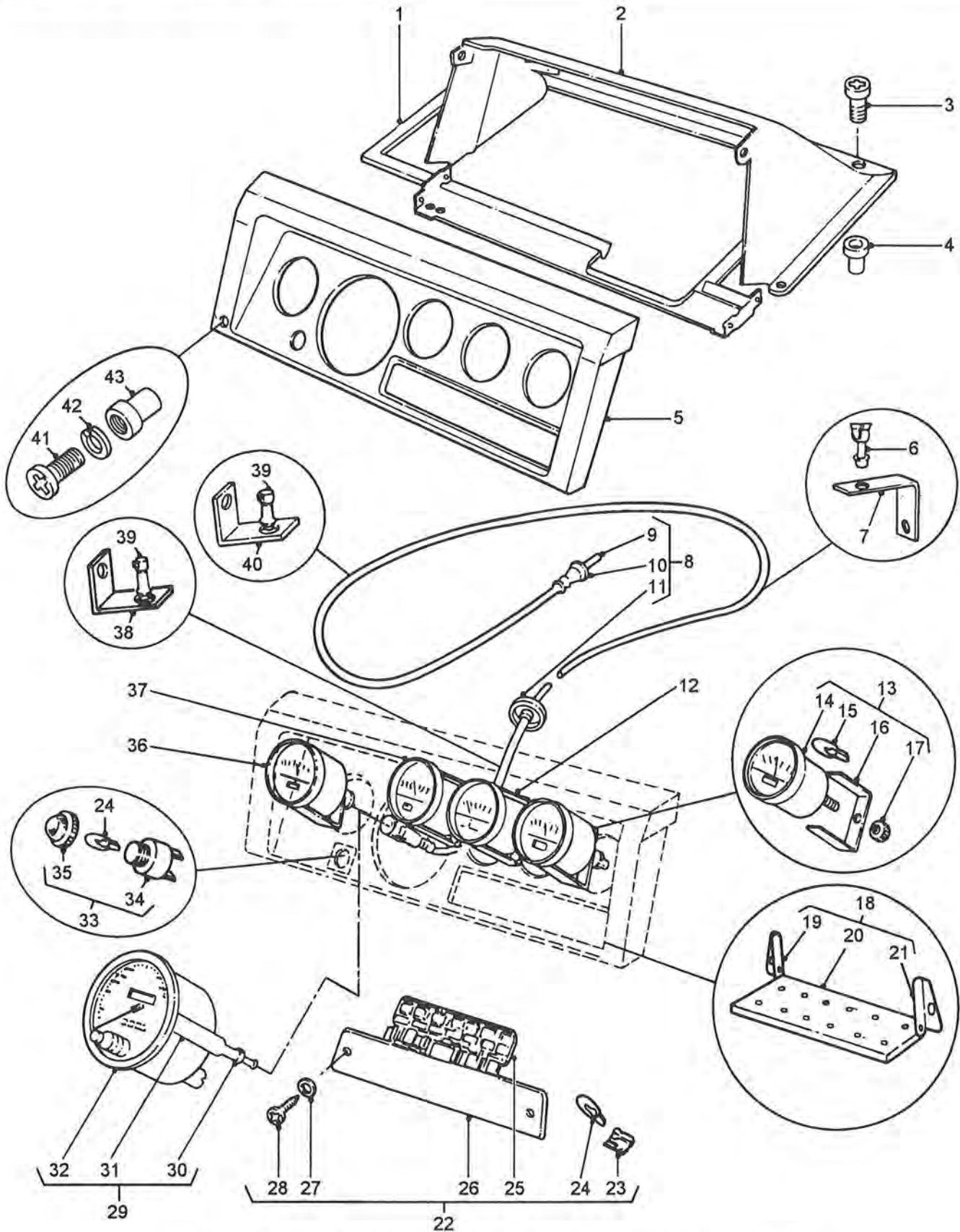
<u>ITEM</u>	<u>PART NO.</u>	<u>DESCRIPTION</u>	<u>NSN</u>	<u>2185</u>	<u>2186</u>	<u>2208</u>	<u>2209</u>	<u>2210</u>	<u>2211</u>	<u>2212</u>	<u>2219</u>	<u>CP</u>
1	HYG3530	GASKET-BINNACLE					1	1				
2	HYG3396	BINNACLE-INSTRUMENTS	2540-66-128-5814				1	1				
3	SF105204	SCREW					1	1				
4	MP105500	RIVNUT	5310-66-128-5438				7	7				
5	HYG4464	PANEL-INSTRUMENTS -GMV					1					
5	HYG4466	PANEL-INSTRUMENTS -ERV						1				
6	R79121	CLIP	2910-99-825-6380				1	1				
7	AYG2709	BRACKET-SPEEDO CABLE					1	1				
8	PRC6023	CABLE ASSY -SPEEDOMETER	6680-66-128-4291				1	1				
9	NSS											
10	NSS											
11	NSS											
12	AYG9753	GAUGE-TEMPERATURE	6620-66-128-4360				1	1				
13	AYG9754	GAUGE-VOLTMETER	6620-66-128-4359				1	1				
14	NSS											
15	HYL8640	GLOBE-12V, 2W-INSTRUMENTS	6240-66-011-5042				4	4				
	MYH3265	SLEEVE-INSTRUMENT LIGHTS	6220-66-128-5007				4	4				
16	NSS											
17	NSS											
18	HYG4503	KIT-BLACKOUT COVER	2540-66-128-6020				1	1				
19	NSS											
20	NSS											
21	NSS											
22	PRC6657	MODULE-WARNING LAMP	2540-66-128-5006				1	1				
23	AEU2722	HOLDER-GLOBE					18	18				

PERENTIE LAND ROVER PARTS LIST

**QNA /3/1 INSTRUMENT PANEL, GAUGES & SPEEDOMETER CABLE - GMV & ERV
DERIVATIVE CODE**

<u>ITEM</u>	<u>PART NO.</u>	<u>DESCRIPTION</u>	<u>NSN</u>	<u>2185</u>	<u>2186</u>	<u>2208</u>	<u>2209</u>	<u>2210</u>	<u>2211</u>	<u>2212</u>	<u>2219</u>	<u>CP</u>
24	RTC3635	GLOBE	6240-99-995-4499					17	17			
	MYH3316	GLOBE-LOW FUEL WARNING LIGHT	6240-66-128-5005					1	1			
	RTC3635	GLOBE-HANDBRAKE WARNING LIGHT	6240-99-995-4499					1	1			
	RTC3635	GLOBE-6WD SYMBOL WARNING LIGHT	6240-99-995-4499					1	1			
	HYL9473	GLOBE-24 VOLT ALTERNATOR WARNING LIGHT						1	1			
25	EU2721	PRINTED CIRCUIT BOARD	5999-99-797-3850					1	1			
26	NSS											
27	NSS											
28	NSS											
29	PRC7374	GAUGE-SPEEDOMETER	6680-66-128-5018					1	1			
	BFS501	GLOBE-12V, 5W -SPEEDOMETER	6240-99-995-2312					2	2			
30	NSS											
31	NSS											
32	NSS											
33	MYH3375	LAMP-WARNING-WINCH & PTO	6220-66-128-5816					1				
34	NSS											
35	NSS											
36	BYG9024	GAUGE-VOLTMETER						1	1			
37	AYG9756	GAUGE-FUEL	6680-66-109-1748					1	1			
38	PRC2979	BRACKET-SPEEDO CABLE TO GEARBOX						1	1			
39	PRC3180	CLIP	5340-66-128-4611					3	3			
40	PRC2980	BRACKET-SPEEDO CABLE						1	1			
41	SE104164	SCREW	5305-66-128-5817					5	5			

GROUP QNA/3



**INSTRUMENT PANEL, GAUGES &
SPEEDOMETER CABLE – GMV & ERV**

PERENTIE LAND ROVER PARTS LIST

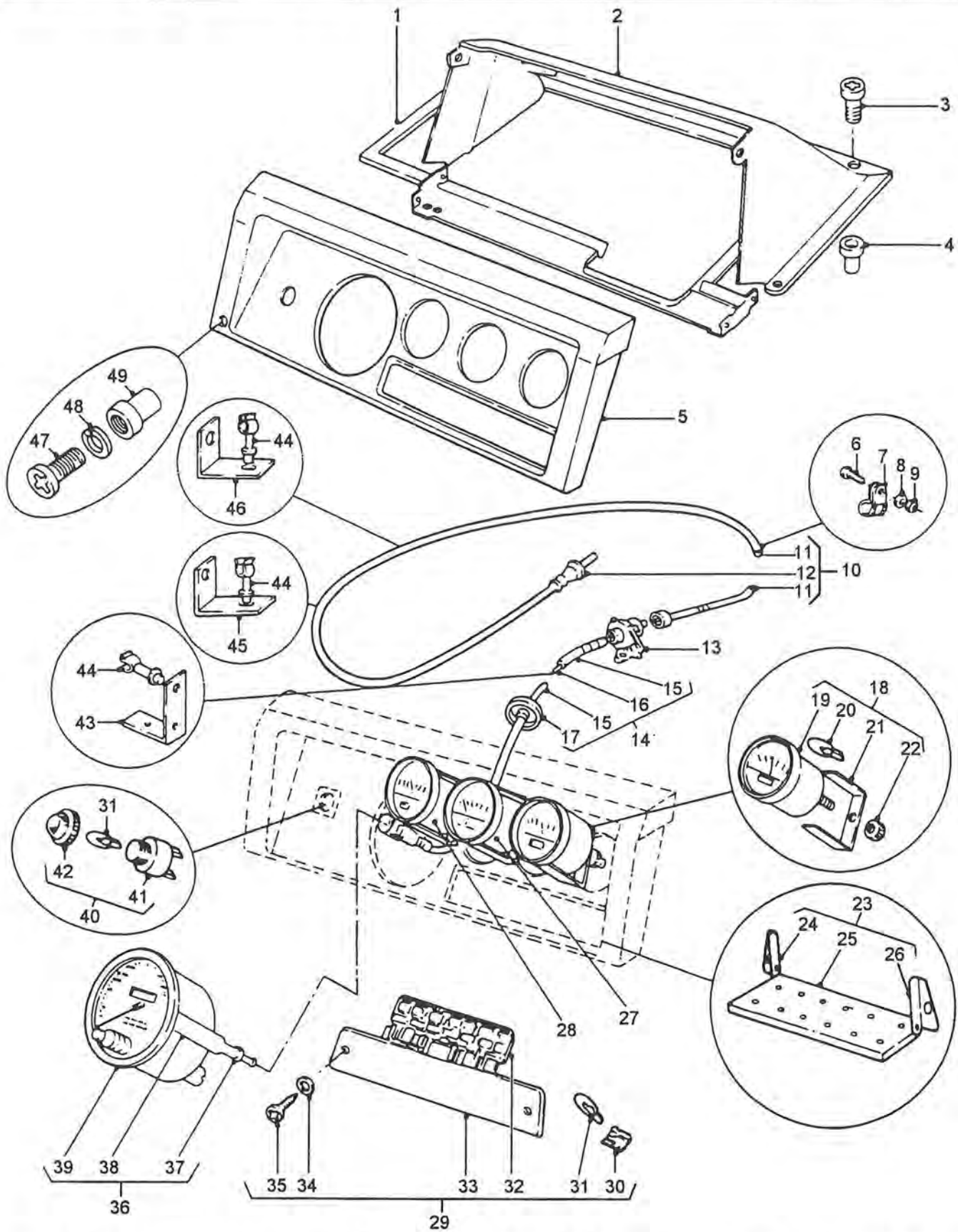
QNA /3/1 INSTRUMENT PANEL, GAUGES & SPEEDOMETER CABLE - GMV & ERV
DERIVATIVE CODE

<u>ITEM</u>	<u>PART NO.</u>	<u>DESCRIPTION</u>	<u>NSN</u>	<u>2185</u>	<u>2186</u>	<u>2208</u>	<u>2209</u>	<u>2210</u>	<u>2211</u>	<u>2212</u>	<u>2219</u>	<u>CP</u>
42	WL104004	WASHER-LOCK	5310-66-128-5818				5		5			
43	MM104301	RIVNUT					7		7			

CHANGE POINT

ARN INTRODUCTION

GROUP QNA/4

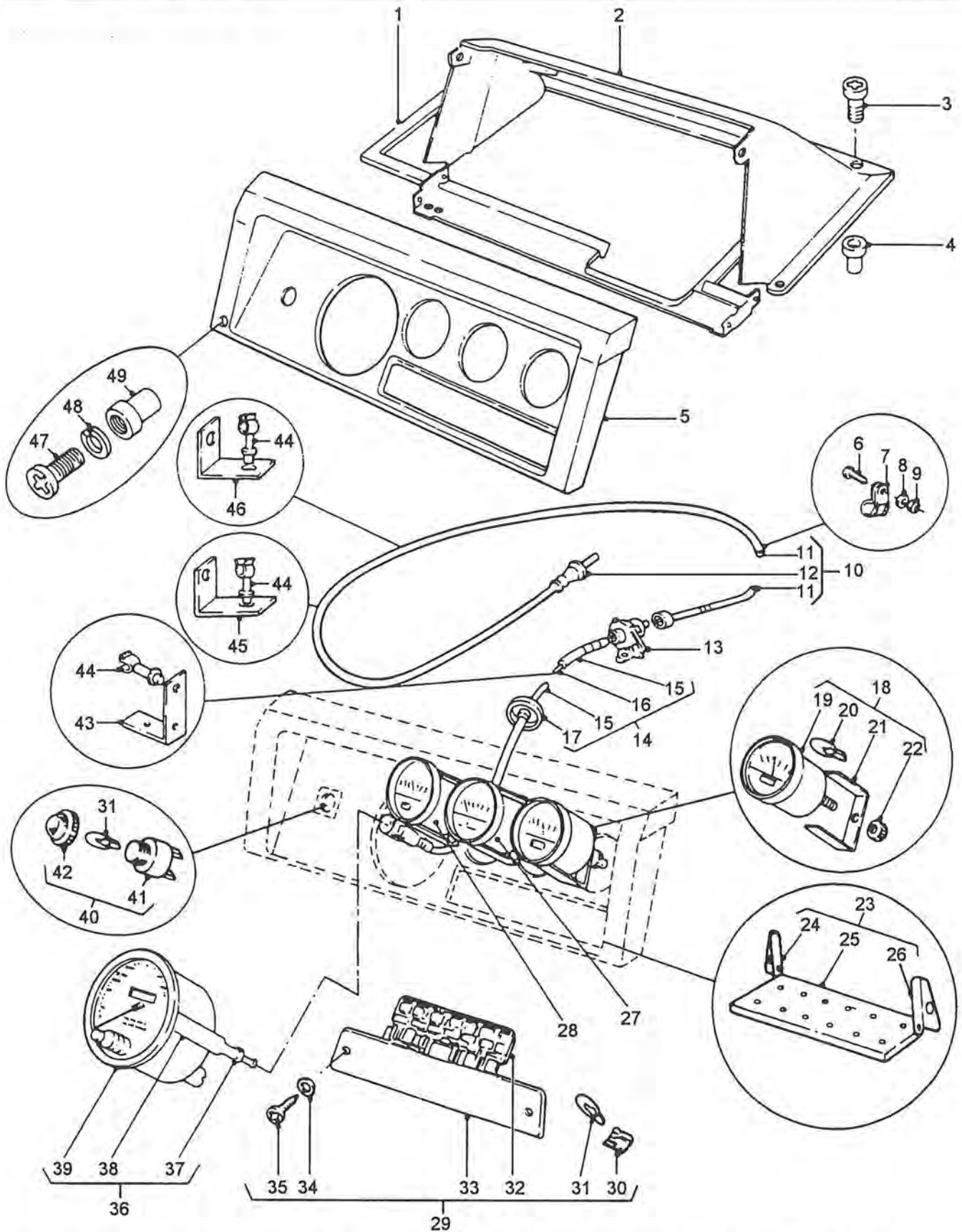


INSTRUMENT PANEL, GAUGES, SPEEDOMETER CABLE & SENSOR – LRPV

PERENTIE LAND ROVER PARTS LIST

ITEM	PART NO.	DESCRIPTION	NSN	DERIVATIVE CODE							
				2185	2186	2208	2209	2210	2211	2212	2219
1	HYG3650	GASKET-BINNACLE								1	
2	HYG4451	BINNACLE-INSTRUMENTS								1	
3	SF105204	SCREW								7	
4	MP105500	RIVNUT	5310-66-128-5438							7	
5	HYG4458	PANEL-INSTRUMENTS								1	
6	FS106161	SCREW	5305-99-122-5360							1	
7	CP106081	'P' CLIP	5340-66-128-6301							1	
8	WA106041L	WASHER-PLAIN	5310-66-098-4440							1	
9	NY106041L	NUT-NYLOC	5310-99-138-8423							1	
10	PRC6043	CABLE-SPEEDOMETER -LOWER	6680-66-128-6196							1	
11	NSS										
12	NSS										
13	PRC4497	SENSOR-SPEED	6680-66-128-6194							1	
14	PRC6037	CABLE-SPEEDOMETER -UPPER	6680-66-128-6195							1	
15	NSS										
16	NSS										
17	NSS										
18	AYG9754	GAUGE-VOLTMETER	6620-66-128-4359							1	
19	NSS										
20	YLY8640	GLOBE-12V, 2W-INSTRUMENTS	6240-66-011-5042							3	
	MYH3265	SLEEVE-INSTRUMENT LIGHTS	6220-66-128-5007							3	
21	NSS										
22	NSS										
23	HYG4503	KIT-BLACKOUT COVER	2540-66-128-6020							1	
24	NSS										
25	NSS										

GROUP QNA/4

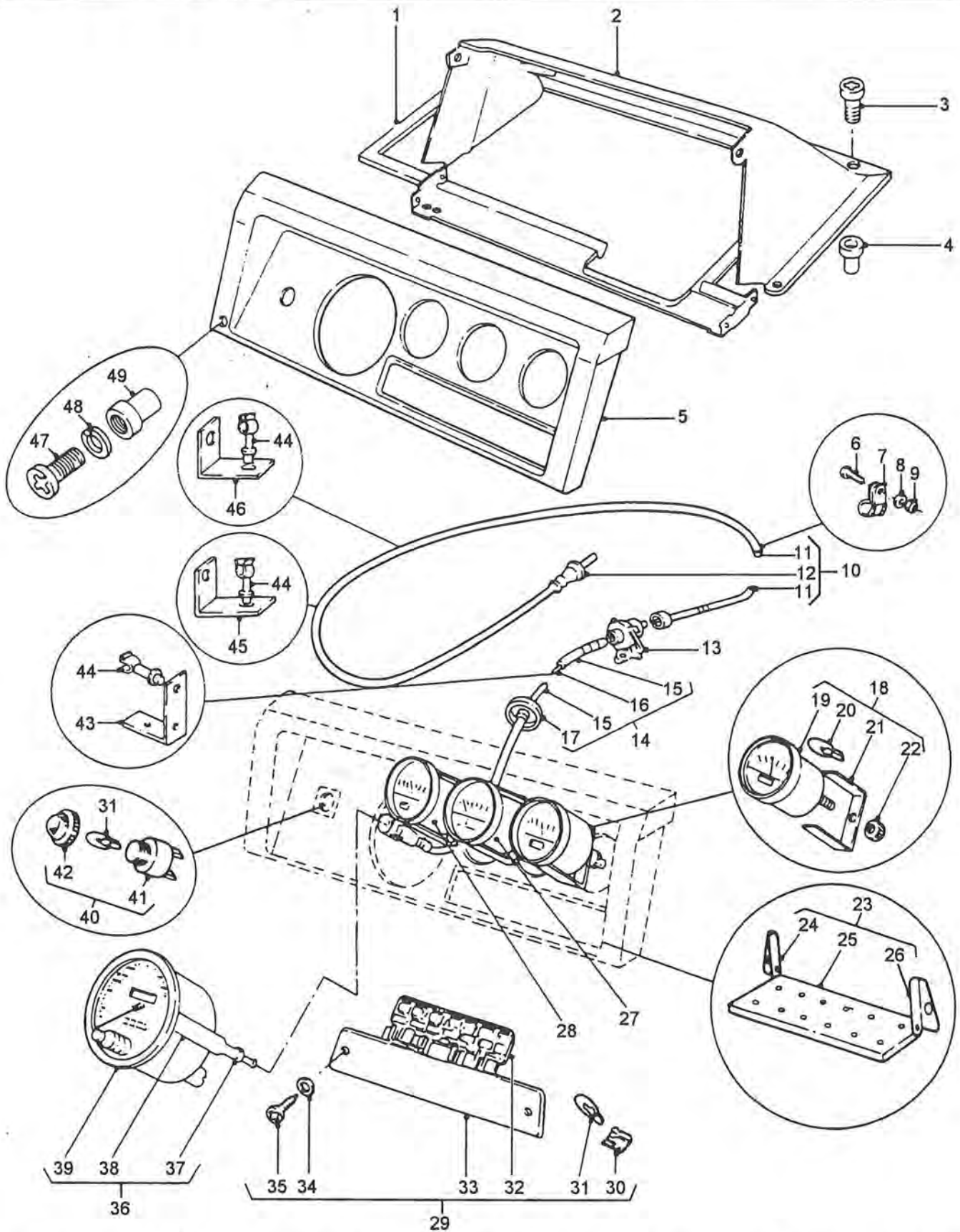


**INSTRUMENT PANEL, GAUGES, SPEEDOMETER
CABLE & SENSOR – LRPV**

PERENTIE LAND ROVER PARTS LIST

ITEM	PART NO.	DESCRIPTION	NSN	DERIVATIVE CODE								
				2185	2186	2208	2209	2210	2211	2212	2219	CP
26	NSS											
27	AYG9753	GAUGE-WATER TEMPERATURE	6625-66-128-4360									1
28	AYG9756	GAUGE-FUEL	6680-66-109-1748									1
29	PRC6657	MODULE-WARNING LAMP	2540-66-128-5006									1
30	AEU2722	HOLDER-GLOBE										18
31	RTC3635	GLOBE	6240-99-995-4499									18
	MYH3316	GLOBE-LOW FUEL WARNING LIGHT	6240-66-128-5005									1
	RTC3635	GLOBE-HANDBRAKE WARNING LIGHT	6240-99-995-4499									1
	RTC3635	GLOBE-6WD SYMBOL WARNING LIGHT	6240-99-995-4499									1
32	AEU2721	PRINTED CIRCUIT BOARD	5999-99-797-3850									1
33	NSS											
34	NSS											
35	NSS											
36	PRC7374	GAUGE-SPEEDOMETER	6680-66-128-5018									1
	BFS501	GLOBE-12V, 5W -SPEEDOMETER	6240-99-995-2312									2
37	NSS											
38	NSS											
39	NSS											
40	MYH3375	LAMP-WARNING-WINCH & PTO	6220-66-128-5816									1
41	NSS											
42	NSS											
43	PRC2980	BRACKET-SPEEDO CABLE										1
44	PRC3180	CLIP	5340-66-128-4611									3
45	PRC2979	BRACKET-SPEEDO CABLE TO GEARBOX										1

GROUP QNA/4



INSTRUMENT PANEL, GAUGES, SPEEDOMETER CABLE & SENSOR – LRPV

PERENTIE LAND ROVER PARTS LIST

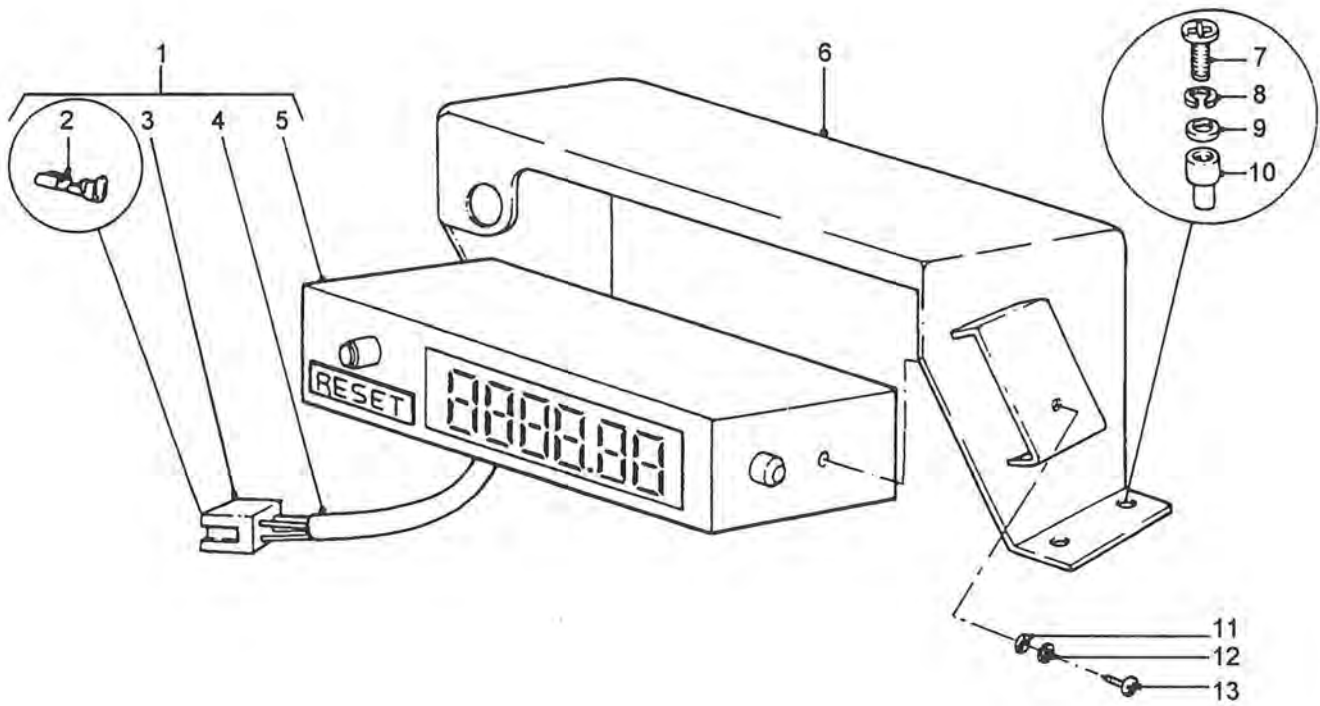
QNA /4/1 INSTRUMENT PANEL, GAUGES, SPEEDOMETER CABLE & SENSOR - LRPV
DERIVATIVE CODE

<u>ITEM</u>	<u>PART NO.</u>	<u>DESCRIPTION</u>	<u>NSN</u>	<u>2185</u>	<u>2186</u>	<u>2208</u>	<u>2209</u>	<u>2210</u>	<u>2211</u>	<u>2212</u>	<u>2219</u>	<u>CP</u>
46	AYG2709	BRACKET-SPEEDO CABLE										1
47	SE104164	SCREW	5305-66-128-5817									5
48	WL104004	WASHER-LOCK	5310-66-128-5818									5
49	MM104301	RIVNUT										5

CHANGE POINT

ARN INTRODUCTION

GROUP QNC



TRIPMETER ASSEMBLY AND MOUNTING - LRPV ONLY

PERENTIE LAND ROVER PARTS LIST

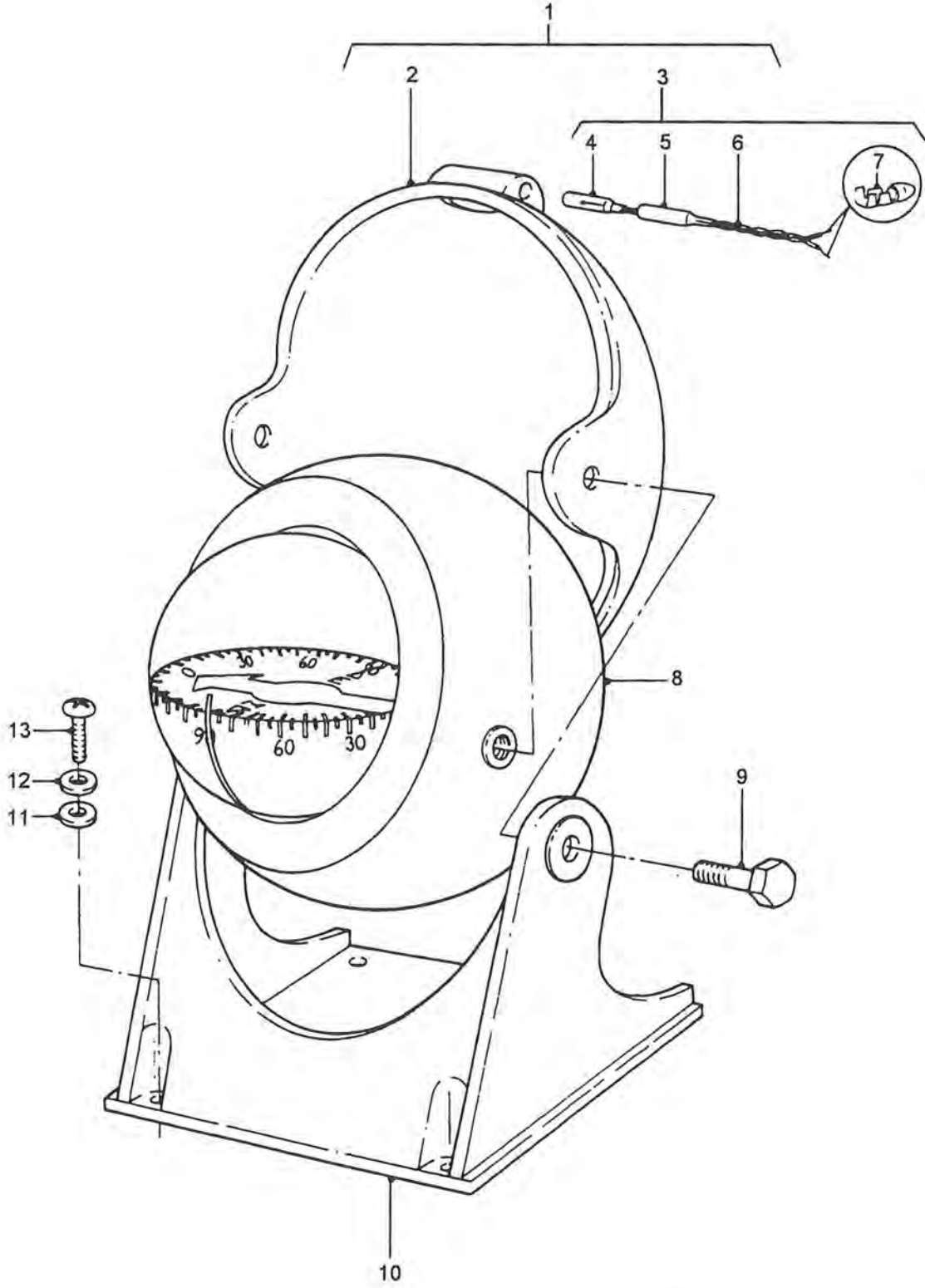
QNC /1/1 TRIPMETER ASSEMBLY AND MOUNTING - LRPV ONLY

<u>ITEM</u>	<u>PART NO.</u>	<u>DESCRIPTION</u>	<u>NSN</u>	<u>DERIVATIVE CODE</u>								
				<u>2185</u>	<u>2186</u>	<u>2208</u>	<u>2209</u>	<u>2210</u>	<u>2211</u>	<u>2212</u>	<u>2219</u>	<u>CP</u>
1	BYG9096	TRIPMETER ASSY	6625-66-128-6233									1
	MM104301	RIVNUT-TRIPMETER										3
2	NSS											
3	NSS											
4	NSS											
5	NSS											
6	HYG5662	BRACKET-TRIPMETER										1
7	SE105204	SCREW	5305-66-128-4955									4
8	WL105004	WASHER-LOCK	5310-66-128-5784									4
9	WA105001L	WASHER-PLAIN	5310-99-122-3032									4
10	MP105500	RIVNUT	5310-66-128-5438									4
11	WA104004L	WASHER-PLAIN	5310-99-550-3198									3
12	WL104004	WASHER-LOCK	5310-66-128-5818									3
13	SE104164	SCREW	5305-66-128-5817									3

CHANGE POINT

ARN INTRODUCTION

GROUP QND



**COMPASS ASSEMBLY
- LRPV ONLY**

PERENTIE LAND ROVER PARTS LIST

QND /1/1 COMPASS ASSEMBLY - LRPV ONLY

<u>ITEM</u>	<u>PART NO.</u>	<u>DESCRIPTION</u>	<u>NSN</u>	<u>DERIVATIVE CODE</u>															
				<u>2185</u>	<u>2186</u>	<u>2208</u>	<u>2209</u>	<u>2210</u>	<u>2211</u>	<u>2212</u>	<u>2219</u>	<u>CP</u>							
1	BYG9201	COMPASS ASSY (INCLUDES ITEMS 2, 3, 8-10)	6605-66-128-6302																1
2	NSS																		
3	BYG9238	BULB ASSY	6695-66-128-6303																1
4	NSS																		
5	NSS																		
6	NSS																		
7	MYH2565	TERMINAL	5940-66-128-4737																2
8	NSS																		
9	NSS																		
10	NSS																		
11	WA104004L	WASHER-PLAIN	5310-99-550-3198																4
12	WL104004	WASHER-LOCK	5310-66-128-5818																4
13	SE104164	SCREW	5305-66-128-5817																4

CHANGE POINT

ARN INTRODUCTION