

ROVER AUSTRALIA PARTS BOOK FOR AUSTRALIAN ARMY LAND ROVER 6x6 VEHICLES COMBINED PARTS LIST

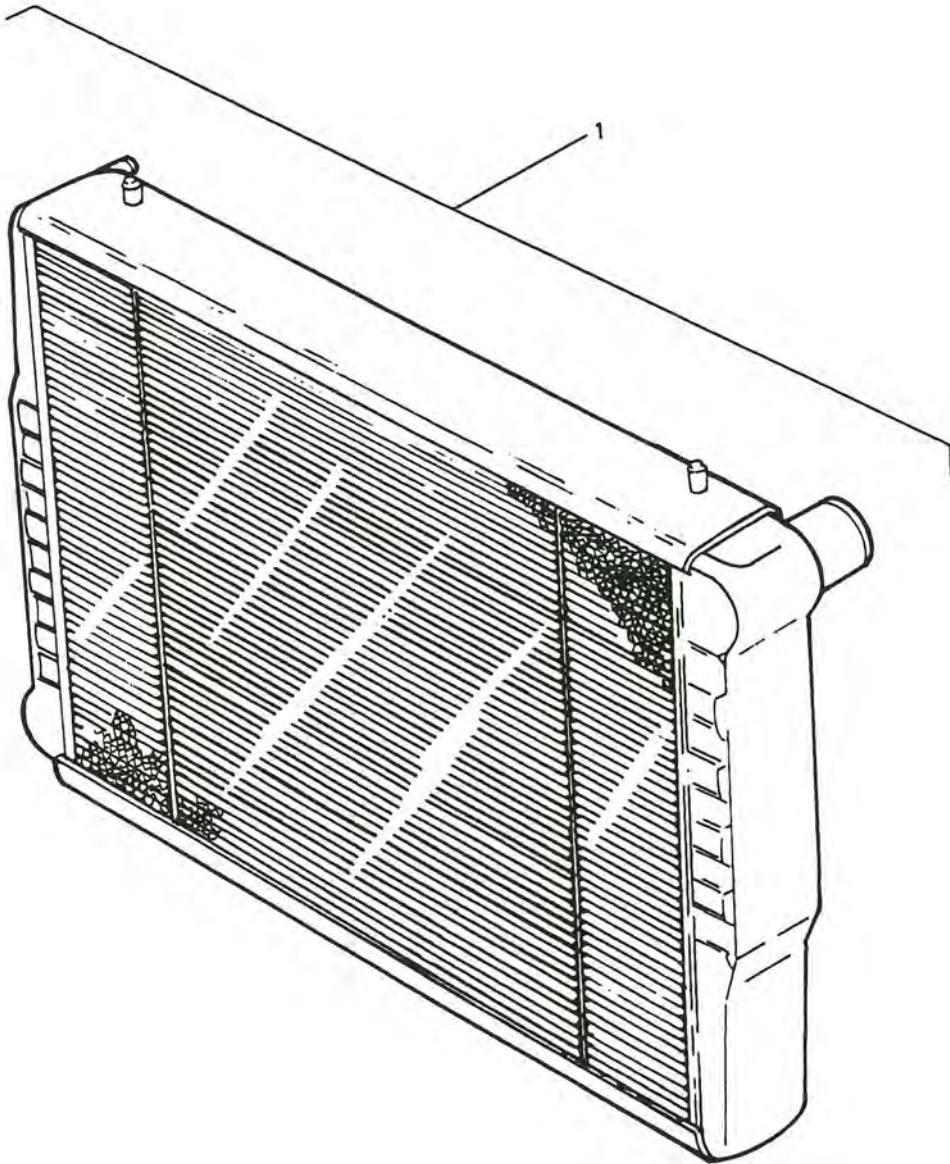
Copyright of this document is retained by Land Rover Australia. The document dated 1996 contains the parts utilised on the vehicles at that point in time. Some parts may have been superseded or changed since that time.

This document has been download from the Registry of Ex Military Land Rovers at <http://www.remlr.com> . All files available from this site are free of charge.

If you have paid for this document please report where you purchased it from to the Registry of Ex Military Land Rovers Inc.



GROUP BA



RADIATOR ASSEMBLY

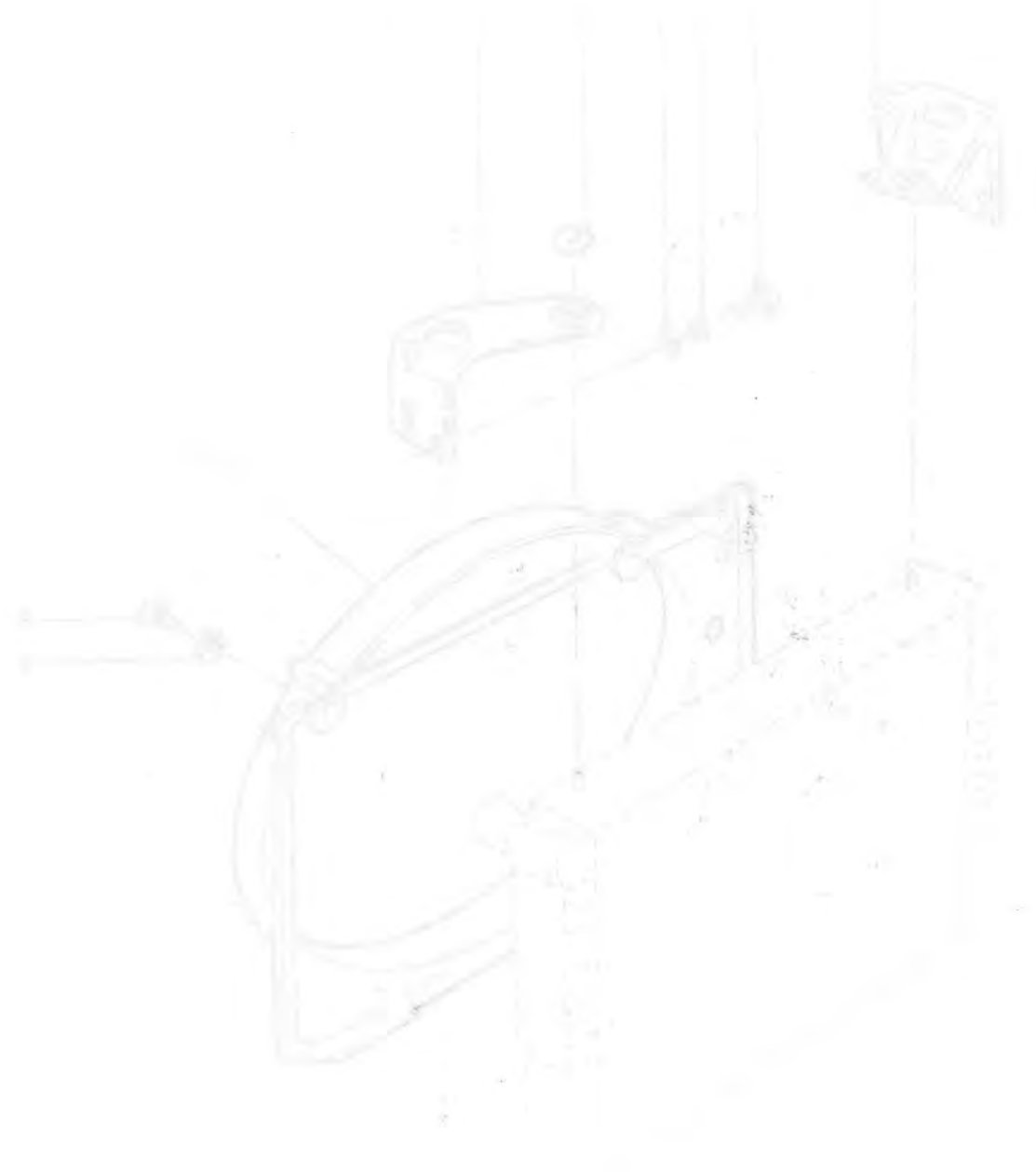
PERENTIE LAND ROVER PARTS LIST

BA /1/1 RADIATOR ASSEMBLY

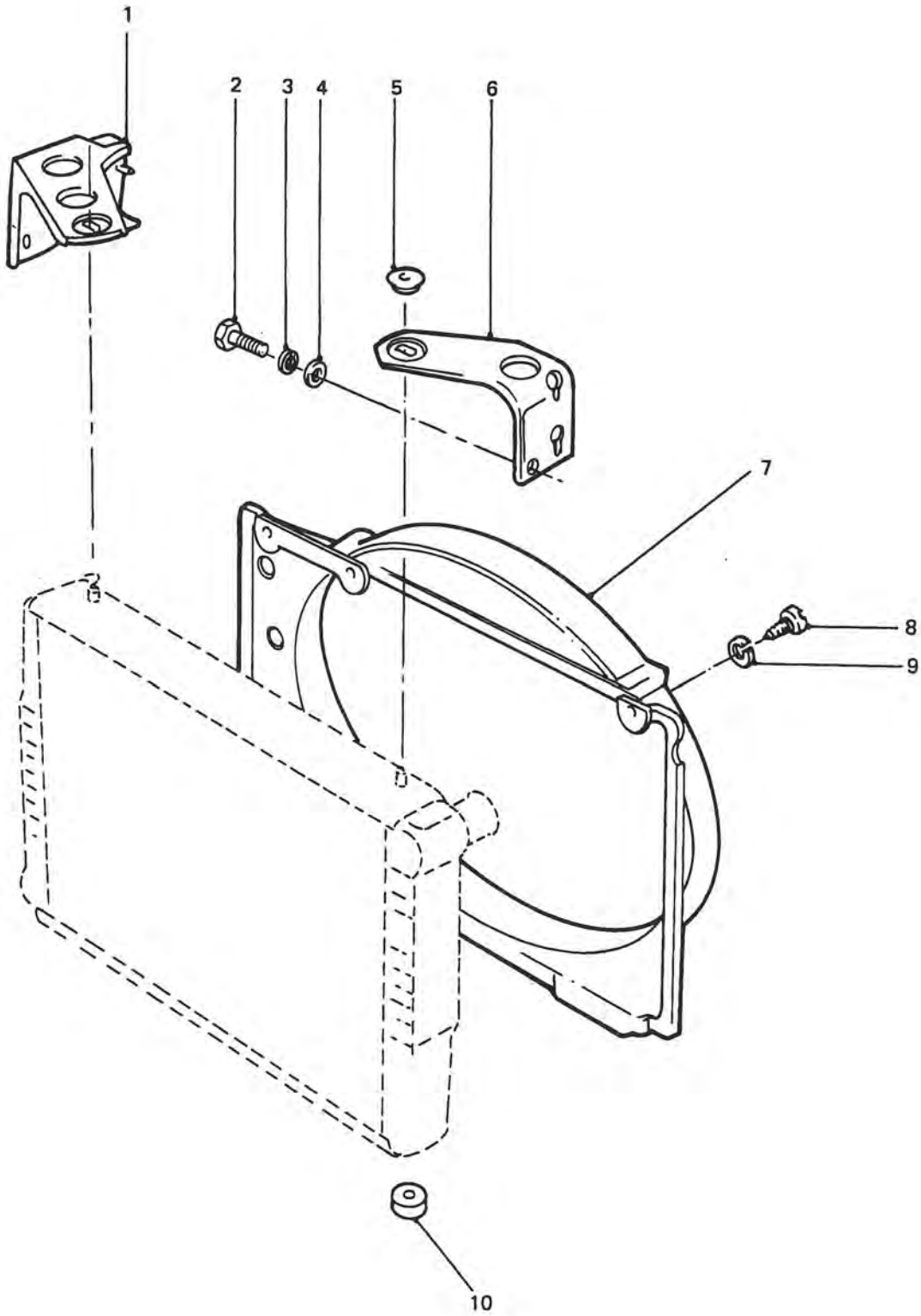
<u>ITEM</u>	<u>PART NO.</u>	<u>DESCRIPTION</u>	<u>NSN</u>	<u>DERIVATIVE CODE</u>								
				<u>2185</u>	<u>2186</u>	<u>2208</u>	<u>2209</u>	<u>2210</u>	<u>2211</u>	<u>2212</u>	<u>2219</u>	<u>CP</u>
1	AYG2885	RADIATOR ASSY	2930-66-128-5639	1	1	1	1	1	1	1	1	1

CHANGE POINT

ARN INTRODUCTION



GROUP BAA



RADIATOR FITTINGS AND SHROUD

PERENTIE LAND ROVER PARTS LIST

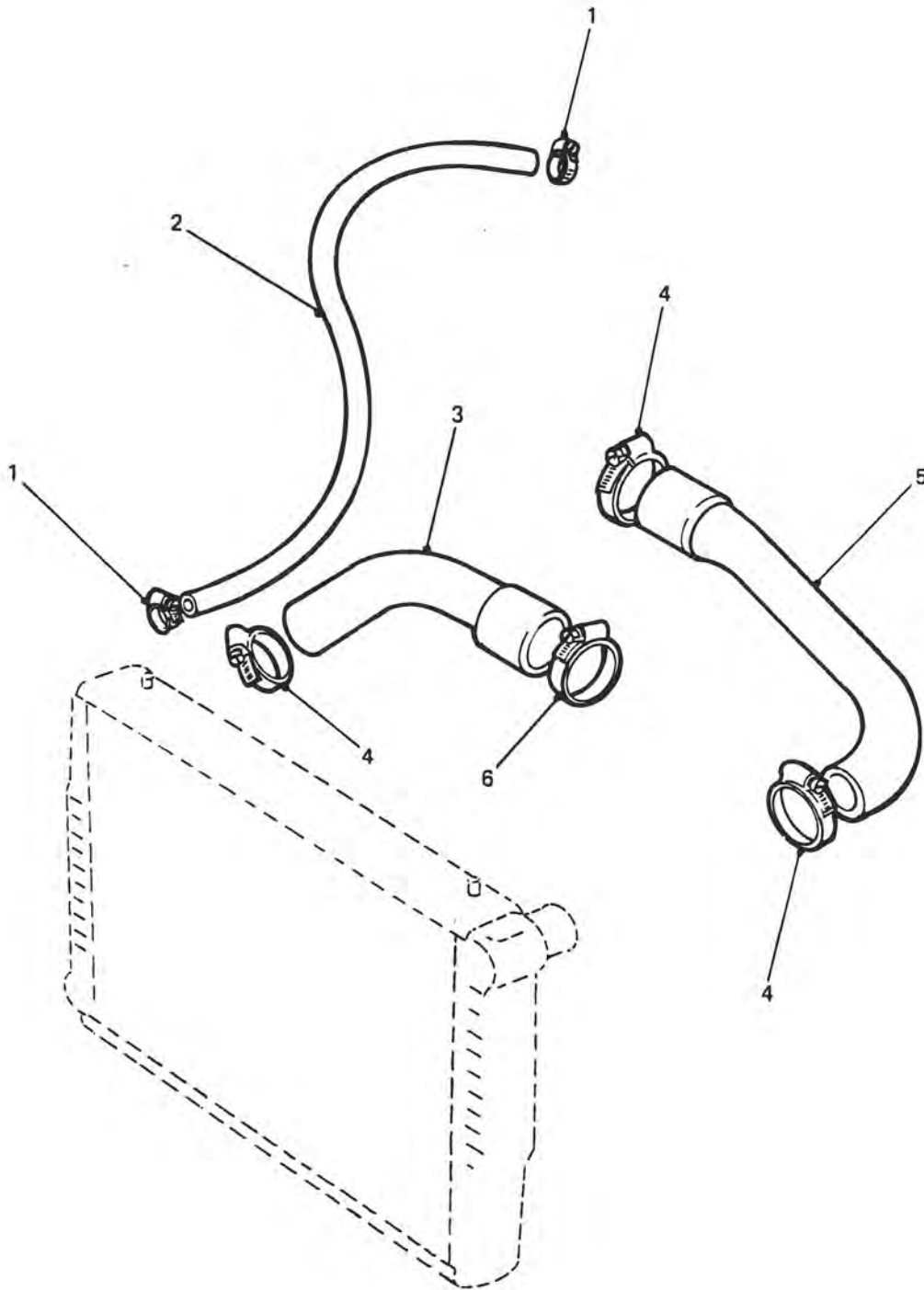
BAA /1/1 RADIATOR FITTINGS AND SHROUD

<u>ITEM</u>	<u>PART NO.</u>	<u>DESCRIPTION</u>	<u>NSN</u>	<u>DERIVATIVE CODE</u>								
				<u>2185</u>	<u>2186</u>	<u>2208</u>	<u>2209</u>	<u>2210</u>	<u>2211</u>	<u>2212</u>	<u>2219</u>	<u>CP</u>
1	HYG3211	BRACKET-RADIATOR-RH	2990-66-128-5042	1	1	1	1	1	1	1	1	1
2	FS106201	SCREW	5305-99-122-5361	6	6	6	6	6	6	6	6	6
3	WL106001L	WASHER-LOCK	5310-99-137-9232	6	6	6	6	6	6	6	6	6
4	WC106041L	WASHER-PLAIN	5310-99-122-3411	6	6	6	6	6	6	6	6	6
5	NRC5544	BUSH-UPPER	5325-99-721-3635	2	2	2	2	2	2	2	2	2
6	HYG6231	BRACKET-RADIATOR-LH		1	1	1	1	1	1	1	1	1
7	BYG2155	COWL-RADIATOR		1	1	1	1	1	1	1	1	1
8	R562979	SCREW	5305-99-136-9510	4	4	4	4	4	4	4	4	4
9	WS600041L	WASHER-LOCK	5310-99-100-7824	4	4	4	4	4	4	4	4	4
10	R572312	GROMMET	2930-99-825-6069	2	2	2	2	2	2	2	2	2

CHANGE POINT

ARN INTRODUCTION

GROUP BAB



RADIATOR HOSES

PERENTIE LAND ROVER PARTS LIST

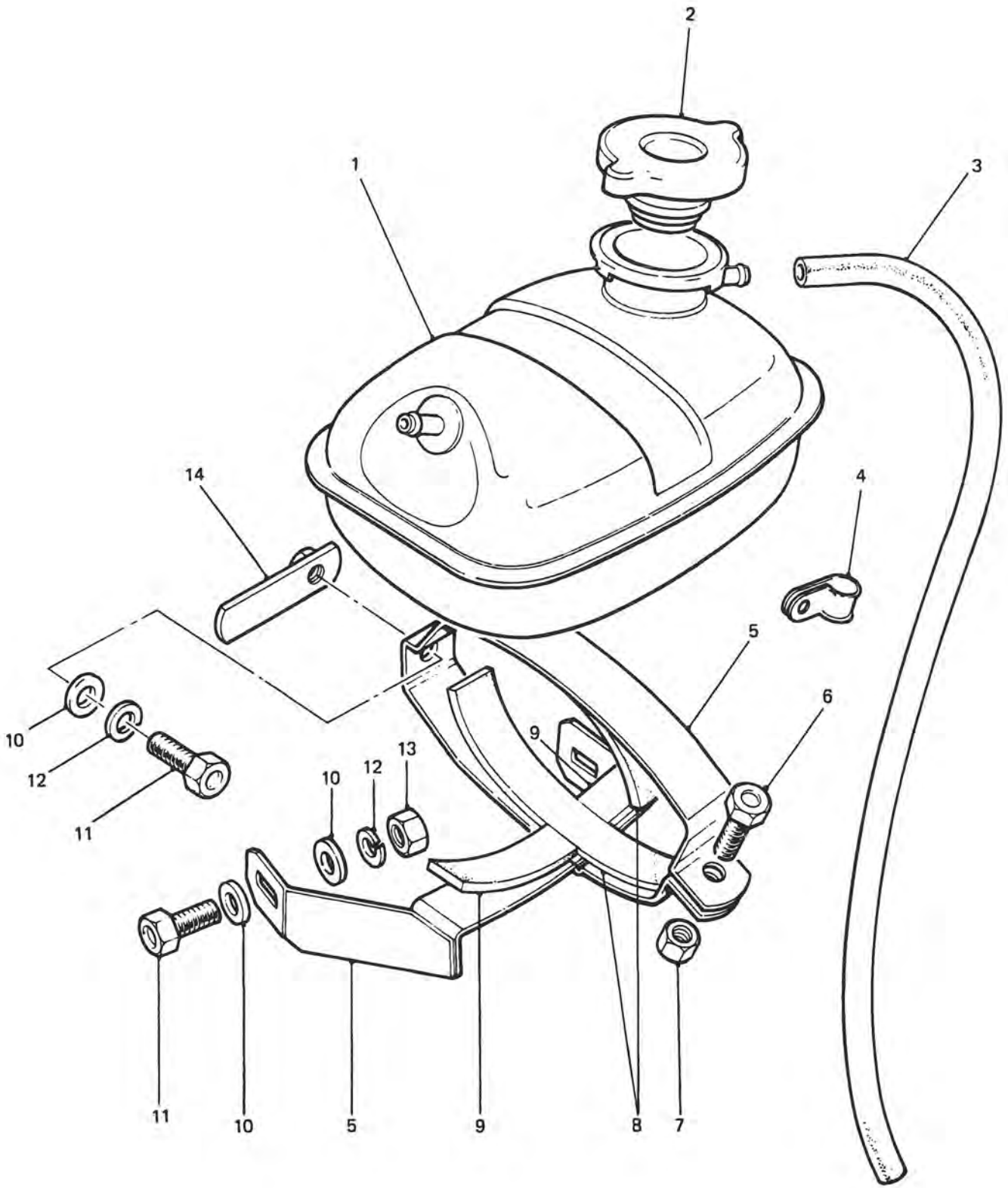
BAB /1/1 RADIATOR HOSES

<u>ITEM</u>	<u>PART NO.</u>	<u>DESCRIPTION</u>	<u>NSN</u>	<u>DERIVATIVE CODE</u>								<u>CP</u>
				<u>2185</u>	<u>2186</u>	<u>2208</u>	<u>2209</u>	<u>2210</u>	<u>2211</u>	<u>2212</u>	<u>2219</u>	
1	AAU1979	CLAMP-HOSE	4730-66-012-6544	2	2	2	2	2	2	2	2	2
2	NRC9726	HOSE-EXPANSION TANK	4720-66-128-5009	1	1	1	1	1	1	1	1	1
3	AYG2953	HOSE-RADIATOR-LOWER	4720-66-128-4244	1	1	1	1	1	1	1	1	1
4	CJ600304L	CLAMP-HOSE	2805-99-796-6121	3	3	3	3	3	3	3	3	3
5	AYG2463	HOSE-RADIATOR-TOP	4720-66-128-4286	1	1	1	1	1	1	1	1	1
6	CJ600384L	CLAMP-HOSE	4730-66-064-5962	1	1	1	1	1	1	1	1	1

CHANGE POINT

ARN INTRODUCTION

GROUP BB



EXPANSION TANK ASSEMBLY AND CARRIER

PERENTIE LAND ROVER PARTS LIST

BB /1/1

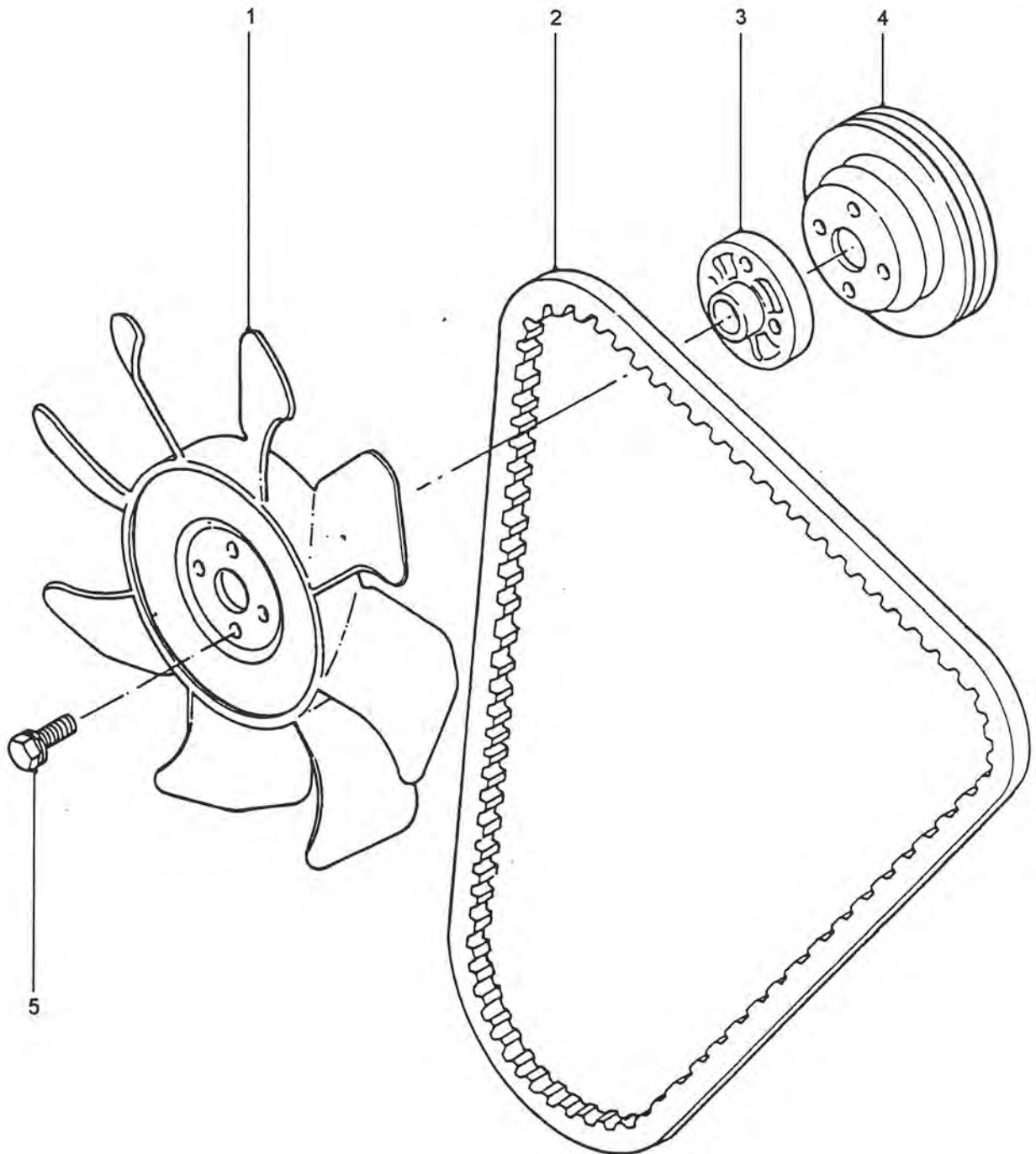
EXPANSION TANK ASSEMBLY AND CARRIER

<u>ITEM</u>	<u>PART NO.</u>	<u>DESCRIPTION</u>	<u>NSN</u>	<u>DERIVATIVE CODE</u>								
				<u>2185</u>	<u>2186</u>	<u>2208</u>	<u>2209</u>	<u>2210</u>	<u>2211</u>	<u>2212</u>	<u>2219</u>	<u>CP</u>
1	NRC7582	TANK-EXPANSION	2930-99-721-4360	1	1	1	1	1	1	1	1	1
2	R565540	CAP-RADIATOR	2930-99-792-5808	1	1	1	1	1	1	1	1	1
3	R564724	HOSE-OVERFLOW	4710-99-829-4551	1	1	1	1	1	1	1	1	1
4	AEU1448	CLIP-CABLE		1	1	1	1	1	1	1	1	1
5	HYG1756	CARRIER		1	1	1	1	1	1	1	1	1
6	FS106201	SCREW	5305-99-122-5361	1	1	1	1	1	1	1	1	1
7	NY106041L	NUT-NYLOC	5310-99-138-8423	1	1	1	1	1	1	1	1	1
8	NRC5294	STRIP-INSULATION		2	2	2	2	2	2	2	2	2
9	NRC5295	STRIP-INSULATION		2	2	2	2	2	2	2	2	2
10	WC106047	WASHER-PLAIN		5	5	5	5	5	5	5	5	5
11	SH106207	SCREW	5305-66-128-5010	3	3	3	3	3	3	3	3	3
12	WL106001L	WASHER-LOCK	5310-99-137-9232	3	3	3	3	3	3	3	3	3
13	NH106047L	NUT		2	2	2	2	2	2	2	2	2
14	NRC7133	NUT PLATE		1	1	1	1	1	1	1	1	1
	MUC6123	SEAL-CARRIER-TOP		1	1	1	1	1	1	1	1	1

CHANGE POINT

ARN INTRODUCTION

GROUP BC/1



**FAN AND DRIVE PULLEY/BELT
CARGO MODELS – EXCEPT CREW CAB**

PERENTIE LAND ROVER PARTS LIST

5108 94090

BC /1/1 FAN AND DRIVE PULLEY / BELTS - CARGO MODELS ONLY - EXCEPT CREW CAB
DERIVATIVE CODE

<u>ITEM</u>	<u>PART NO.</u>	<u>DESCRIPTION</u>	<u>NSN</u>	<u>2185</u>	<u>2186</u>	<u>2208</u>	<u>2209</u>	<u>2210</u>	<u>2211</u>	<u>2212</u>	<u>2219</u>	<u>CP</u>
1	8943326340	FAN-COOLING	2930-66-128-5641	1	1							
2	AYG441	BELT-CRANKSHAFT, FAN, ALTERNATOR-12V, 70A	3030-66-128-5238	1	1							
3	5136420510	SPACER-FAN		1	1							
4	5136630570	PULLEY-WATER PUMP	3020-66-128-5642	1	1							
5	9019108350	BOLT-FAN	5306-66-128-4399	4	4							

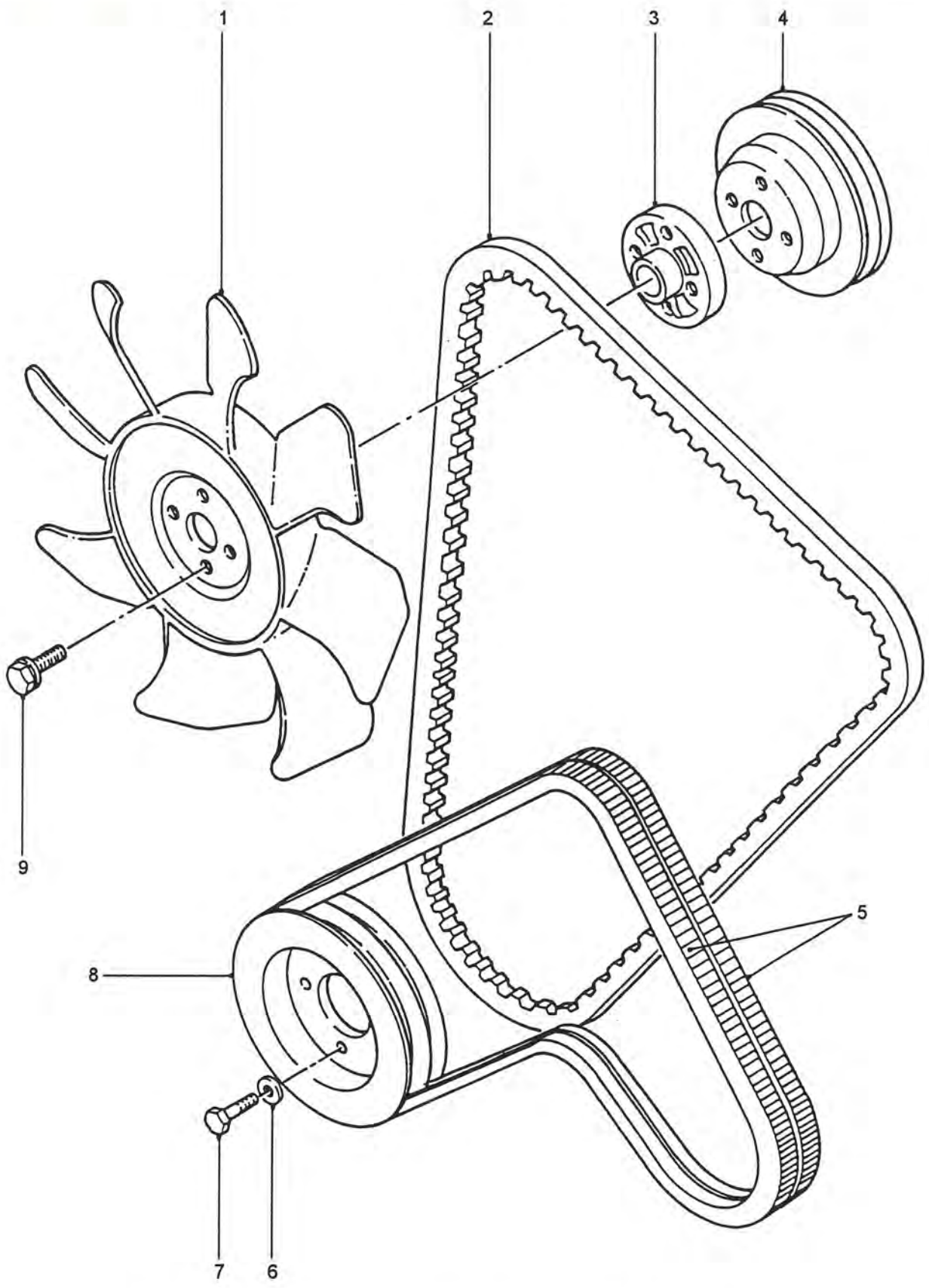
CHANGE POINT

ARN INTRODUCTION



FAN AND DRIVE PULLEY / BELTS - CARGO MODELS ONLY - EXCEPT CREW CAB
DERIVATIVE CODE

GROUP BC/2



**FAN AND DRIVE PULLEY/BELT
- AMBULANCE ONLY**

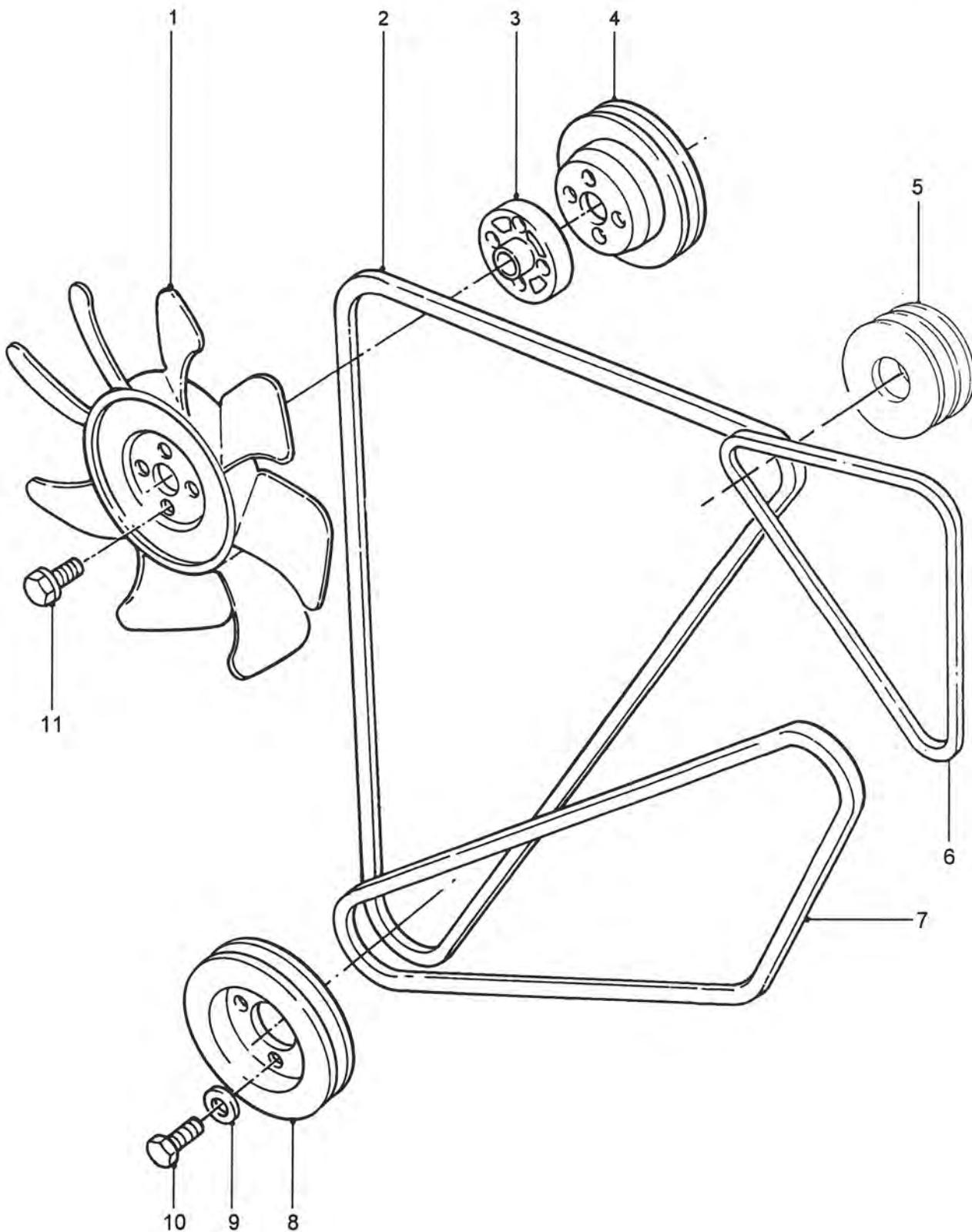
PERENTIE LAND ROVER PARTS LIST

BC /2/1		FAN AND DRIVE PULLEY / BELTS - AMBULANCE ONLY				DERIVATIVE CODE						
<u>ITEM</u>	<u>PART NO.</u>	<u>DESCRIPTION</u>	<u>NSN</u>	<u>2185</u>	<u>2186</u>	<u>2208</u>	<u>2209</u>	<u>2210</u>	<u>2211</u>	<u>2212</u>	<u>2219</u>	<u>CP</u>
1	8943326340	FAN-COOLING	2930-66-128-5641									1
2	AYG441	BELT-CRANKSHAFT, FAN, ALTERNATOR-12V, 70A	3030-66-128-5238									1
3	5136420510	SPACER-FAN										1
4	5136630570	PULLEY-WATER PUMP	3020-66-128-5642									1
5	BYG2014	BELT-CRANKSHAFT, COMPRESSOR, GENERATOR (28V/100A)	3030-66-128-5864									2
6	WL108001L	WASHER-LOCK	5310-99-138-9227									4
7	FS108201	SCREW-CRANK PULLEY	5305-99-122-5366									4
8	AYG400	PULLEY-TWIN-CRANKSHAFT TO GENERATOR	3020-66-128-5239									1
9	9019108350	BOLT-FAN	5306-66-128-4399									4

CHANGE POINT

ARN INTRODUCTION

GROUP BC/3



**FAN AND DRIVE PULLEY/BELTS
- GMV ONLY**

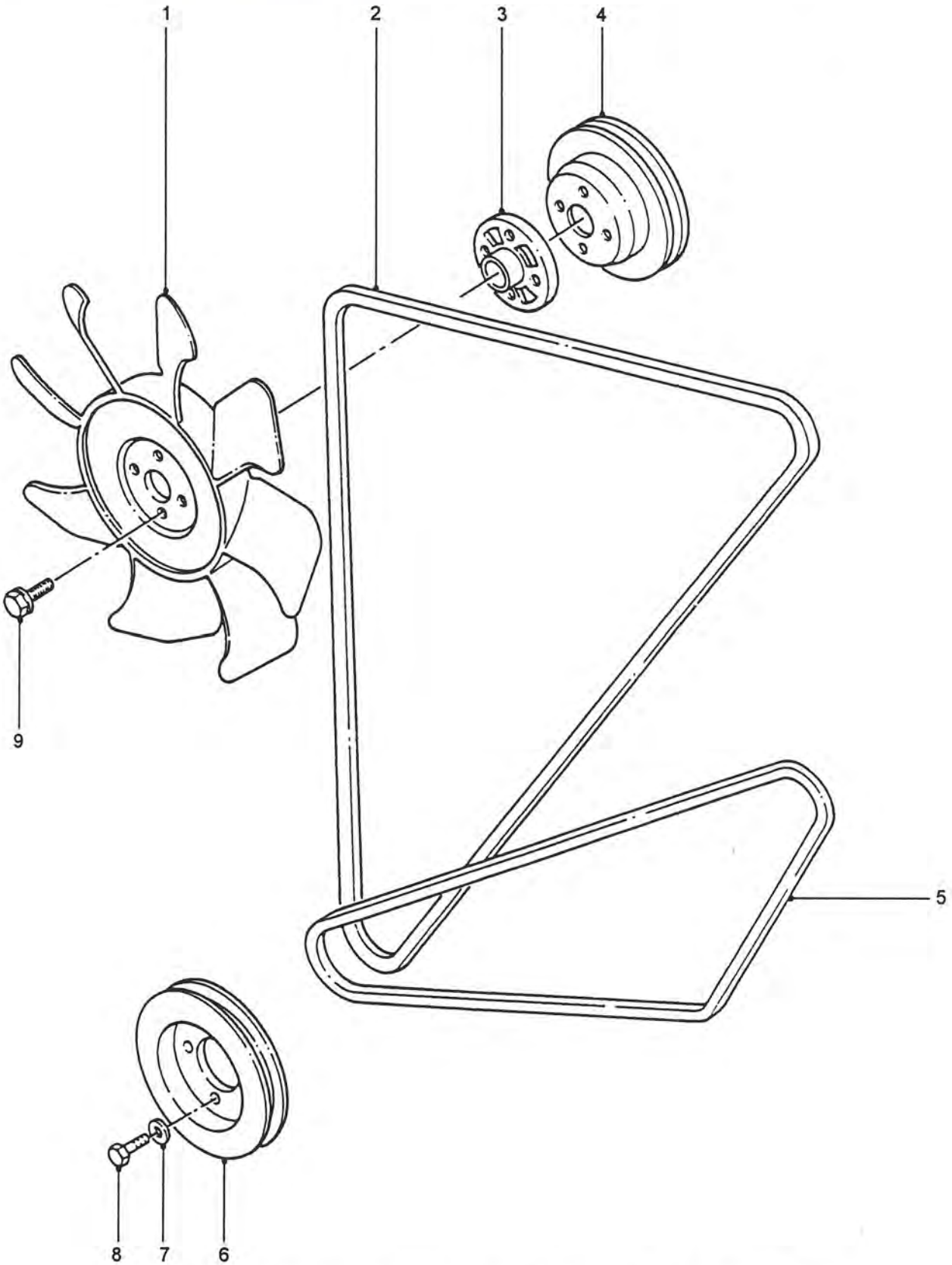
PERENTIE LAND ROVER PARTS LIST

<u>ITEM</u>	<u>BC /3/1</u> <u>PART NO.</u>	<u>FAN AND DRIVE PULLEY / BELTS - GMV ONLY</u> <u>DESCRIPTION</u>	<u>NSN</u>	<u>DERIVATIVE CODE</u>								
				<u>2185</u>	<u>2186</u>	<u>2208</u>	<u>2209</u>	<u>2210</u>	<u>2211</u>	<u>2212</u>	<u>2219</u>	<u>CP</u>
1	8943326340	FAN-COOLING	2930-66-128-5641									1
2	AYG441	BELT-CRANKSHAFT, FAN, ALTERNATOR-12V, 70A	3030-66-128-5238									1
3	5136420510	SPACER-FAN										1
4	5136630570	PULLEY-WATER PUMP	3020-66-128-5642									1
5	MYH3508	PULLEY-TWIN GROOVE-12V, 70A ALT. & TYRE PUMP COMP.	3020-66-128-5956									1
6	MYH3562	BELT-TYRE PUMP COMPRESSOR	3030-66-128-5955									1
7	AYG2996	BELT-ALTERNATOR (24V/55A)	3030-66-128-6026									1
8	AYG400	PULLEY-TWIN-CRANKSHAFT TO ALTERNATOR	3020-66-128-5239									1
9	WL108001L	WASHER-LOCK	5310-99-138-9227									4
10	FS108201	SCREW-CRANK PULLEY	5305-99-122-5366									4
11	9019108350	BOLT-FAN	5306-66-128-4399									4

CHANGE POINT

ARN INTRODUCTION

GROUP BC/4



**FAN AND DRIVE PULLEYS/BELTS
- ERV ONLY**

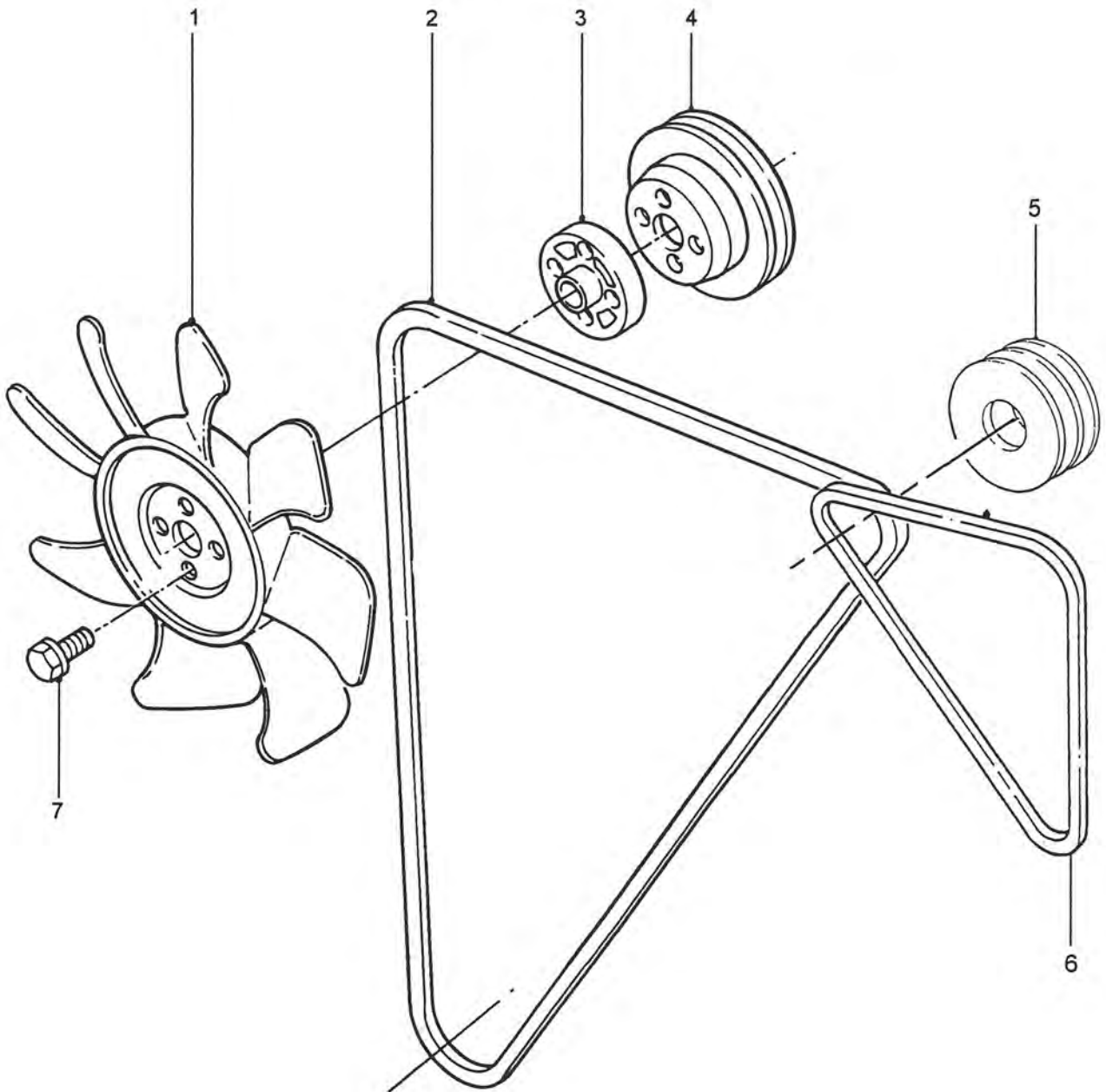
PERENTIE LAND ROVER PARTS LIST

<u>ITEM</u>	<u>BC /4/1</u> <u>PART NO.</u>	<u>DESCRIPTION</u>	<u>NSN</u>	<u>DERIVATIVE CODE</u>									
				<u>2185</u>	<u>2186</u>	<u>2208</u>	<u>2209</u>	<u>2210</u>	<u>2211</u>	<u>2212</u>	<u>2219</u>	<u>CP</u>	
1	8943326340	FAN-COOLING	2930-66-128-5641										1
2	AYG441	BELT-CRANKSHAFT, FAN, ALTERNATOR-12V, 70A	3030-66-128-5238										1
3	5136420510	SPACER-FAN											1
4	5136630570	PULLEY-WATER PUMP	3020-66-128-5642										1
5	AYG2996	BELT-ALTERNATOR (24V/55A)	3030-66-128-6026										1
6	AYG400	PULLEY-TWIN-CRANKSHAFT TO ALTERNATOR	3020-66-128-5239										1
7	WL108001L	WASHER-LOCK	5310-99-138-9227										4
8	FS108201	SCREW-CRANK PULLEY	5305-99-122-5366										4
9	9019108350	BOLT-FAN	5306-66-128-4399										4

CHANGE POINT

ARN INTRODUCTION

GROUP BC/5



**FAN AND DRIVE PULLEY/BELTS
- LRPV AND CREW CAB ONLY**

PERENTIE LAND ROVER PARTS LIST

GROUP BOM 90080

BC /5/1 FAN AND DRIVE PULLEY/BELTS - LRPV AND CREW CAB ONLY

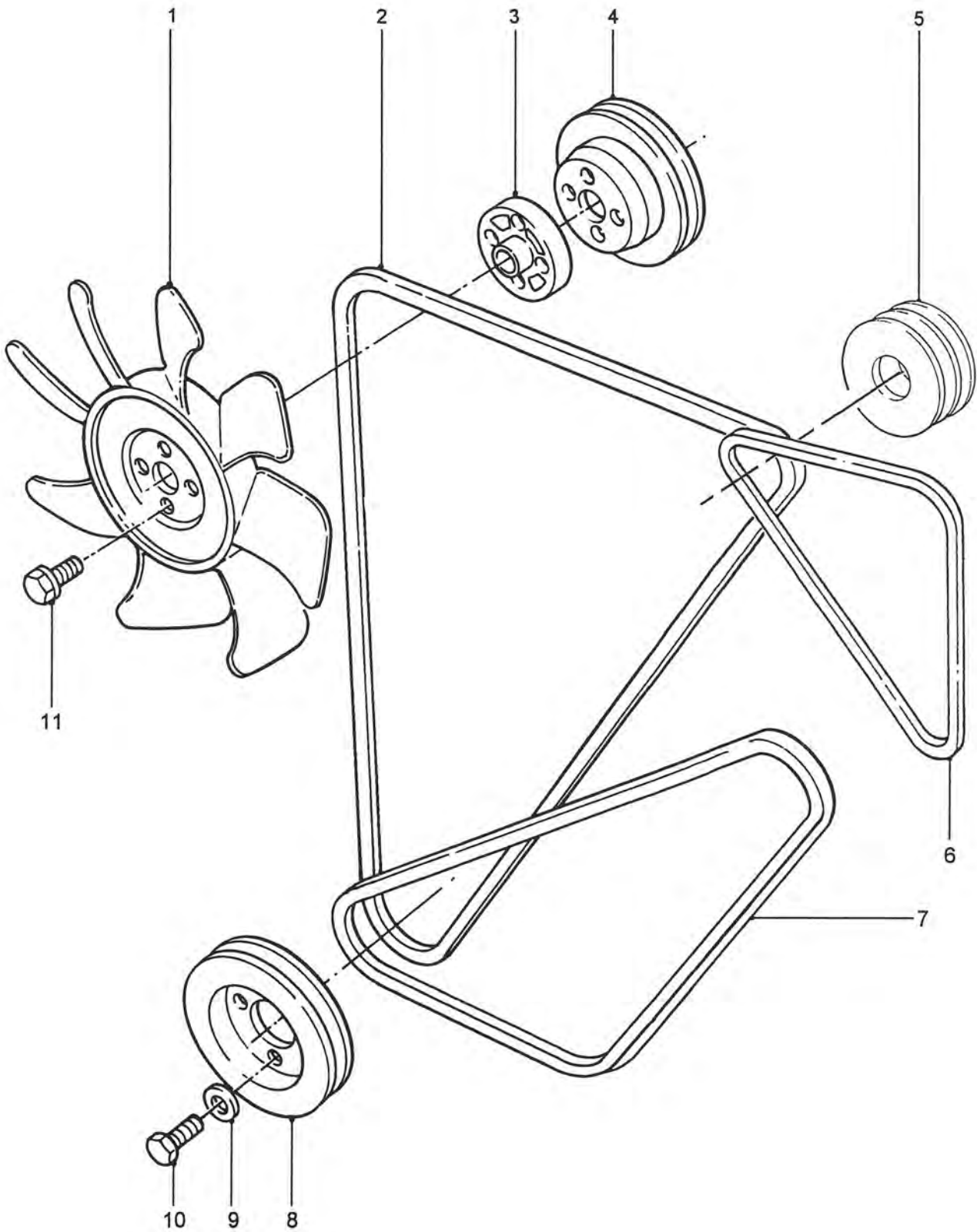
<u>ITEM</u>	<u>PART NO.</u>	<u>DESCRIPTION</u>	<u>NSN</u>	<u>DERIVATIVE CODE</u>								
				<u>2185</u>	<u>2186</u>	<u>2208</u>	<u>2209</u>	<u>2210</u>	<u>2211</u>	<u>2212</u>	<u>2219</u>	<u>CP</u>
1	8943326340	FAN-COOLING	2930-66-128-5641						1			1
2	AYG441	BELT-CRANKSHAFT, FAN, ALTERNATOR-12V, 70A	3030-66-128-5238						1			1
3	5136420510	SPACER-FAN							1			1
4	5136630570	PULLEY-WATER PUMP	3020-66-128-5642						1			1
5	MYH3508	PULLEY-TWIN GROOVE-12V, 70A ALT. & TYRE PUMP COMP.	3020-66-128-5956						1			1
6	MYH3562	BELT-TYRE PUMP COMPRESSOR	3030-66-128-5955						1			1
7	9019108350	BOLT-FAN	5306-66-128-4399						4			4

CHANGE POINT

ARN INTRODUCTION

FAN AND DRIVE PULLEYS BELTS
- AIR DEFENSE CMT

GROUP BC/6



**FAN AND DRIVE PULLEY/BELTS
- AIR DEFENCE ONLY**

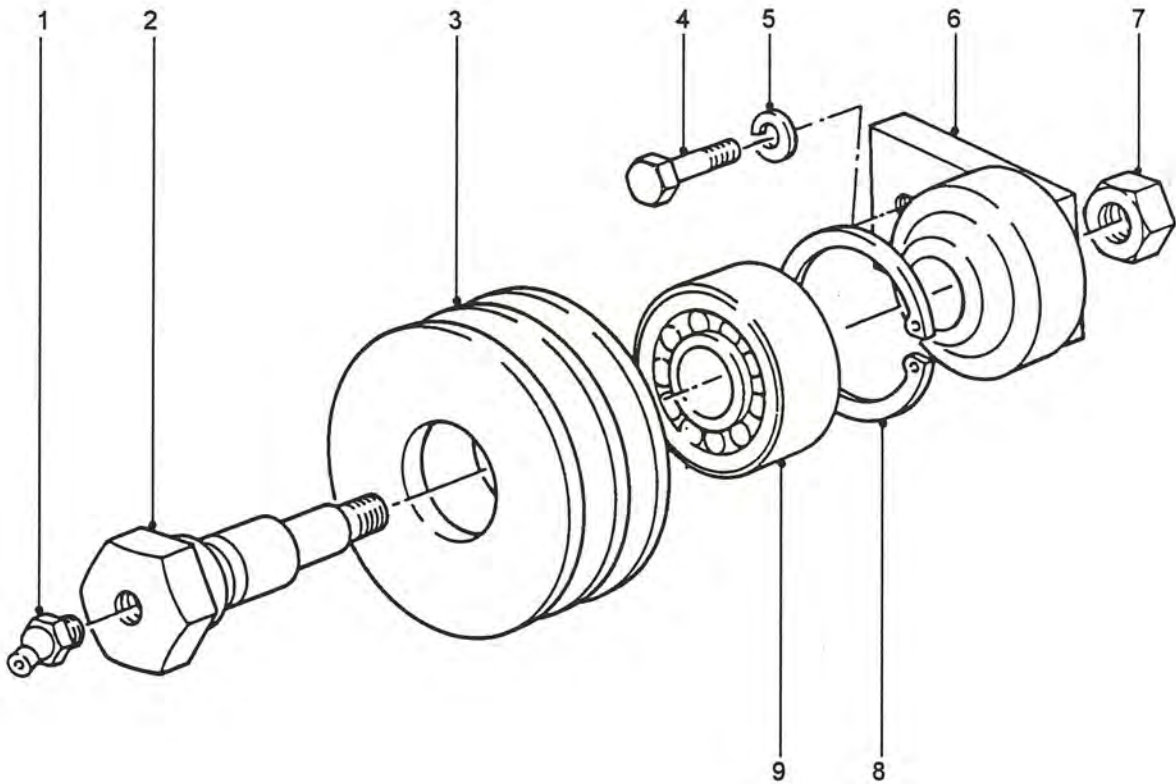
PERENTIE LAND ROVER PARTS LIST

<u>ITEM</u>	<u>PART NO.</u>	<u>DESCRIPTION</u>	<u>NSN</u>	<u>DERIVATIVE CODE</u>								
				<u>2185</u>	<u>2186</u>	<u>2208</u>	<u>2209</u>	<u>2210</u>	<u>2211</u>	<u>2212</u>	<u>2219</u>	<u>CP</u>
1	8943326340	FAN-COOLING	2930-66-128-5641									1
2	AYG441	BELT-CRANKSHAFT, FAN, ALTERNATOR-12V, 70A	3030-66-128-5238									1
3	5136420510	SPACER-FAN										1
4	5136630570	PULLEY-WATER PUMP	3020-66-128-5642									1
5	MYH3508	PULLEY-TWIN GROOVE-12V, 70A ALT & TYRE PUMP COMP.	3020-66-128-5956									1
6	MYH3562	BELT-TYRE PUMP COMPRESSOR	3030-66-128-5955									1
7	AYG2751	BELT-GENERATOR-28V, 100A	3030-66-128-5059									1
8	AYG400	PULLEY-TWIN-CRANKSHAFT TO GENERATOR	3020-66-128-5239									1
9	WL108001L	WASHER-LOCK	5310-99-138-9227									4
10	FS108201	SCREW-CRANK PULLEY	5305-99-122-5366									4
11	9019108350	BOLT-FAN	5306-66-128-4399									4

CHANGE POINT

ARN INTRODUCTION

GROUP BCA/1



**JOCKEY PULLEY
- AMBULANCE ONLY**

PERENTIE LAND ROVER PARTS LIST

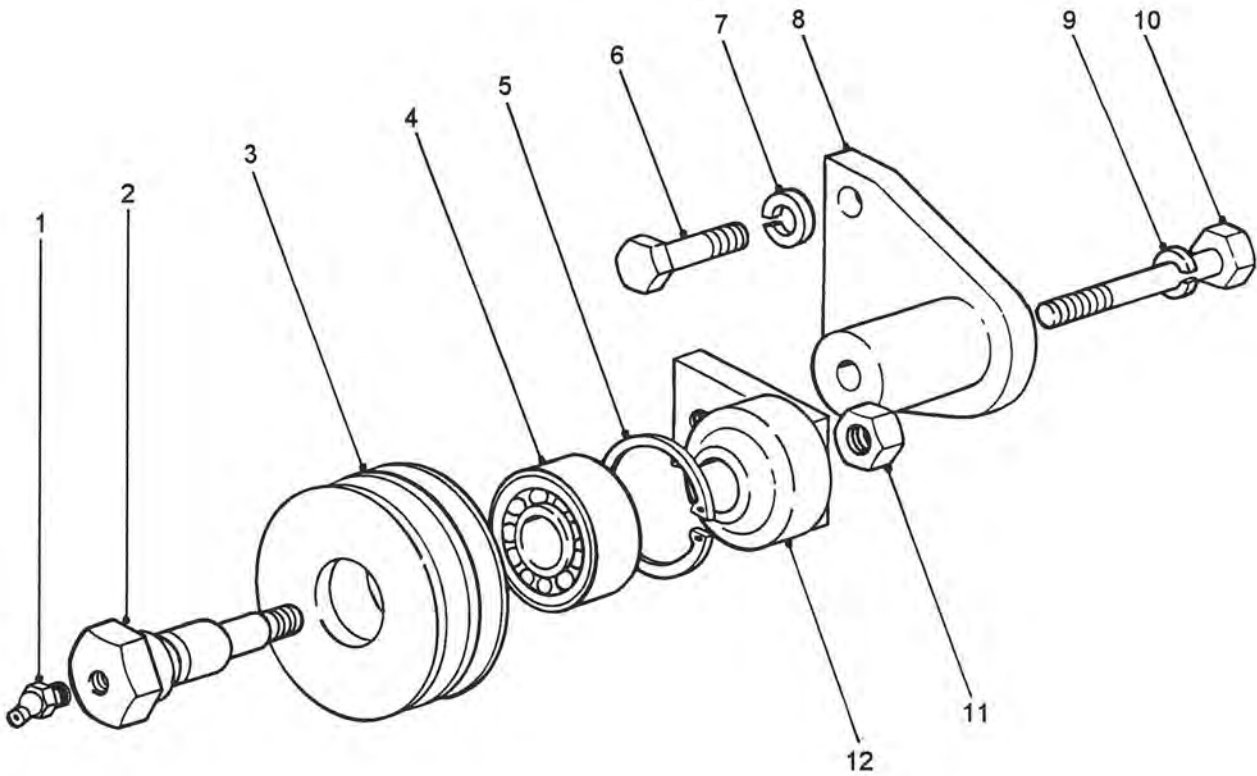
BCA /1/1 JOCKEY PULLEY - AMBULANCE ONLY

<u>ITEM</u>	<u>PART NO.</u>	<u>DESCRIPTION</u>	<u>NSN</u>	<u>DERIVATIVE CODE</u>								
				<u>2185</u>	<u>2186</u>	<u>2208</u>	<u>2209</u>	<u>2210</u>	<u>2211</u>	<u>2212</u>	<u>2219</u>	<u>CP</u>
1	LN050061	NIPPLE-GREASE	4730-66-128-5315									1
2	AYG496	BOLT	5306-66-128-5316									1
3	AYG495	PULLEY-JOCKEY										1
4	SH112401L	SCREW										1
5	WL112001L	WASHER-LOCK	5310-66-128-5111									1
6	AYG467	ARM ASSY-JOCKEY PULLEY										1
7	NV112041	NUT-LOCK	5310-99-139-9037									1
8	CR110405	CIRCLIP	5365-66-128-5317									1
9	MYH3172	BEARING-JOCKEY PULLEY	3110-66-128-5060									1

CH GE POINT

ARN INTRODUCTION

GROUP BCA/2



**JOCKEY PULLEY
- GMV, ERV AND AIR DEFENCE**

PERENTIE LAND ROVER PARTS LIST

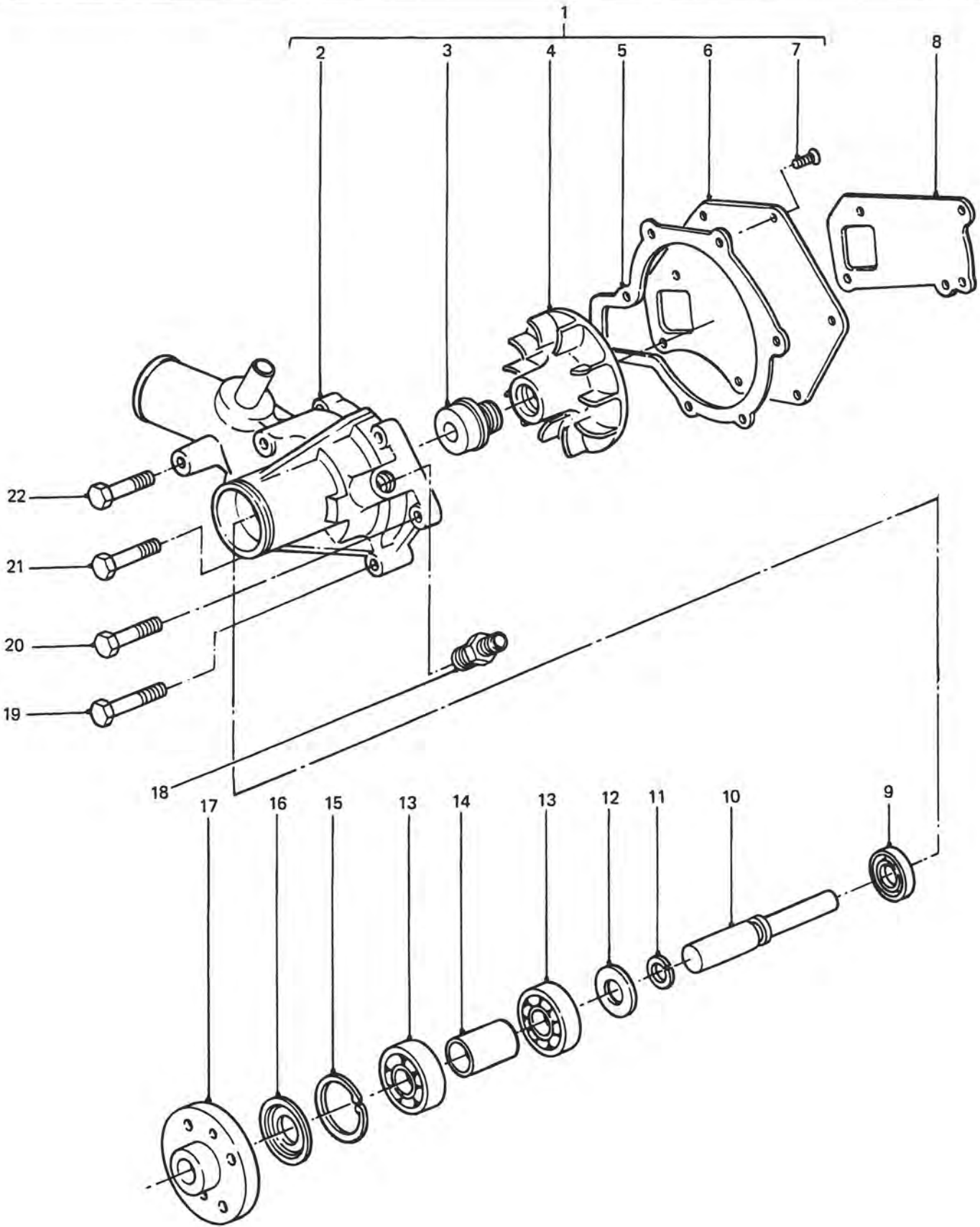
BCA /2/1 JOCKEY PULLEY - GMV, ERV AND AIR DEFENCE

<u>ITEM</u>	<u>PART NO.</u>	<u>DESCRIPTION</u>	<u>NSN</u>	<u>DERIVATIVE CODE</u>								
				<u>2185</u>	<u>2186</u>	<u>2208</u>	<u>2209</u>	<u>2210</u>	<u>2211</u>	<u>2212</u>	<u>2219</u>	<u>CP</u>
1	LN050061	NIPPLE-GREASE	4730-66-128-5315				1	1			1	
2	AYG496	BOLT	5306-66-128-5316				1	1			1	
3	AYG403	PULLEY-JOCKEY					1	1			1	
4	MYH3172	BEARING	3110-66-128-5060				1	1			1	
5	CR110405	CIRCLIP	5365-66-128-5317				1	1			1	
6	SH210251	SCREW	5305-66-128-5318				2	2			2	
7	WL110001L	WASHER-LOCK	5310-99-138-9228				2	2			2	
8	AYG360	MOUNTING					1	1			1	
9	WL112001L	WASHER-LOCK	5310-66-128-5111				1	1			1	
10	BH112141L	BOLT	5306-99-122-2792				1	1			1	
11	NV112041	NUT-LOCK	5310-99-139-9037				1	1			1	
12	AYG404	ARM ASSY-JOCKEY PULLEY					1	1			1	

CHANGE POINT

ARN INTRODUCTION

GROUP BD



WATER PUMP ASSEMBLY

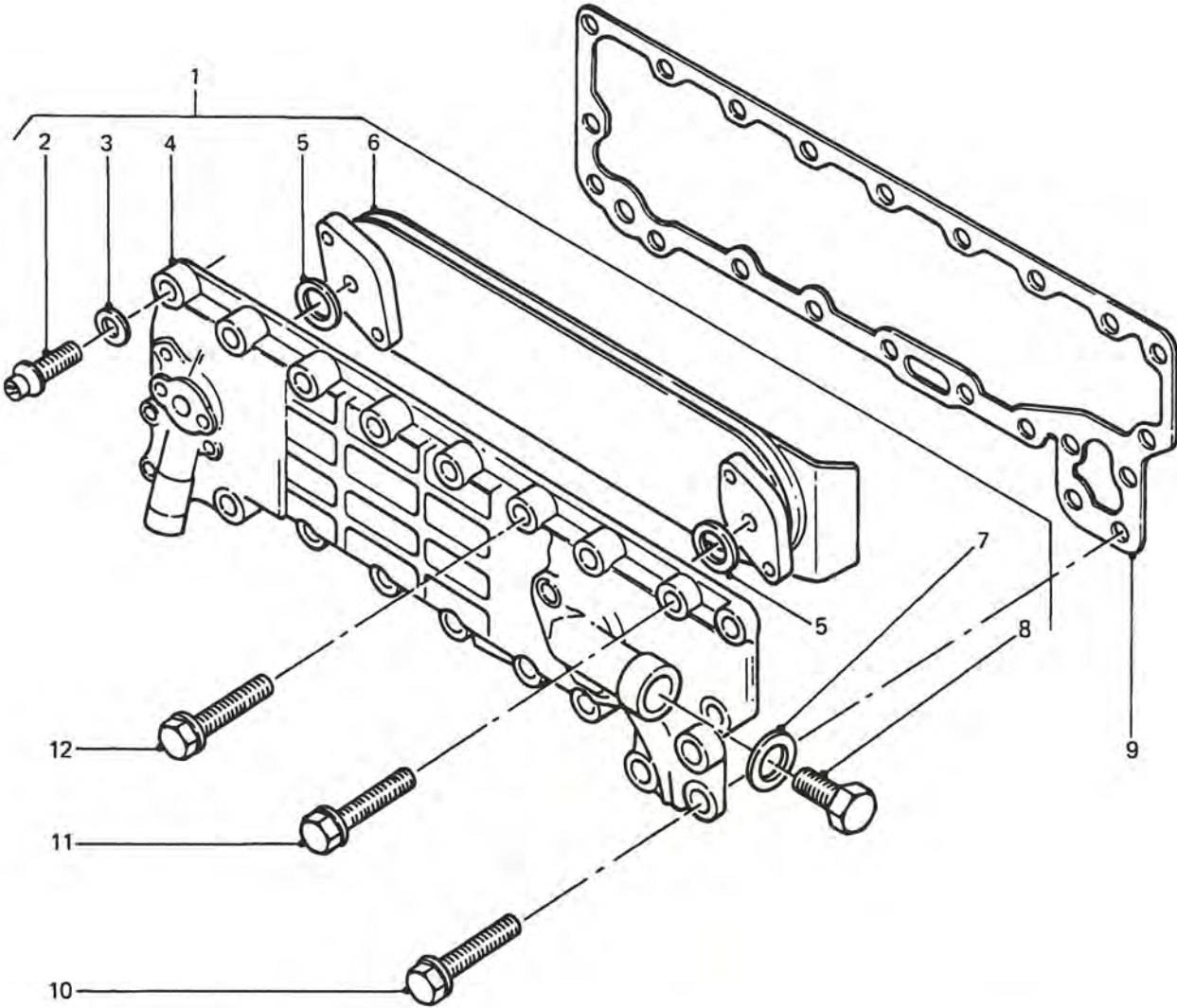
PERENTIE LAND ROVER PARTS LIST

ITEM	PART NO.	DESCRIPTION	NSN	DERIVATIVE CODE								
				2185	2186	2208	2209	2210	2211	2212	2219	CP
1	8970228590	PUMP-WATER (INCL ITEMS 2-7, 9-17)	2930-66-128-5643	1	1	1	1	1	1	1	1	1
2	NSS			1	1	1	1	1	1	1	1	1
3	8944223260	SEAL		1	1	1	1	1	1	1	1	1
4	5136210110	IMPELLOR		1	1	1	1	1	1	1	1	1
5	8944728780	GASKET-PUMP	5330-66-128-4442	1	1	1	1	1	1	1	1	1
6	5136120100	COVER	2910-66-128-4366	1	1	1	1	1	1	1	1	1
7	9030908200	SCREW	5305-66-128-4443	3	3	3	3	3	3	3	3	3
8	1136140131	GASKET-WATER PUMP TO CYL. BLOCK	5330-66-128-4265	1	1	1	1	1	1	1	1	1
9	5096250780	SEAL		1	1	1	1	1	1	1	1	1
10	5136310130	SHAFT		1	1	1	1	1	1	1	1	1
11	9099521030	RING-SNAP		1	1	1	1	1	1	1	1	1
12	5095030990	WASHER		1	1	1	1	1	1	1	1	1
13	5098000520	BEARING-PUMP	3110-66-128-5688	2	2	2	2	2	2	2	2	2
14	5136420710	SPACER		1	1	1	1	1	1	1	1	1
15	9091801470	RING-SNAP		1	1	1	1	1	1	1	1	1
16	5136390020	COVER-DUST	5340-66-128-4445	1	1	1	1	1	1	1	1	1
17	5136420761	HUB-FAN	2930-66-128-5689	1	1	1	1	1	1	1	1	1
18	9099034971	ADAPTOR	4730-66-128-4441	1	1	1	1	1	1	1	1	1
19	9019710300	BOLT	5306-66-128-5532	1	1	1	1	1	1	1	1	1
20	5090300101	BOLT	5306-66-128-4446	2	2	2	2	2	2	2	2	2
21	5090000880	BOLT	5306-66-128-4477	1	1	1	1	1	1	1	1	1
22	9019110350	BOLT	5306-66-128-5690	1	1	1	1	1	1	1	1	1
	8943104770	KIT-WATER PUMP (INCL ITEMS 3-5, 8-12, 14-16)	2930-66-128-5691	1	1	1	1	1	1	1	1	1

CHANGE POINT

ARN INTRODUCTION

GROUP BE



OIL COOLER AND FITTINGS

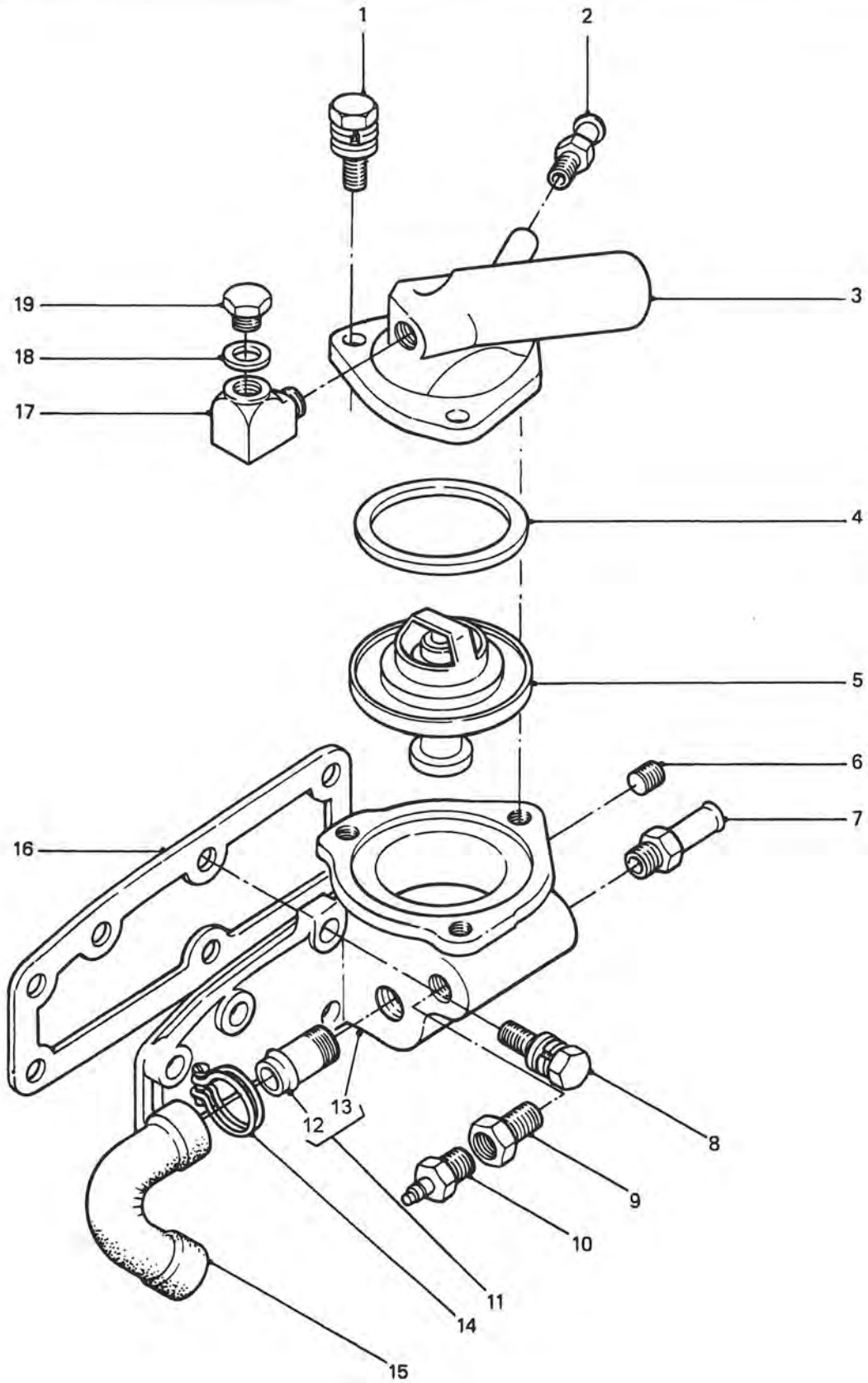
PERENTIE LAND ROVER PARTS LIST

<u>ITEM</u>	<u>BE /1/1</u>	<u>PART NO.</u>	<u>DESCRIPTION</u>	<u>NSN</u>	<u>DERIVATIVE CODE</u>								
					<u>2185</u>	<u>2186</u>	<u>2208</u>	<u>2209</u>	<u>2210</u>	<u>2211</u>	<u>2212</u>	<u>2219</u>	<u>CP</u>
1		8944383710	COOLER-OIL	2930-66-128-5692	1	1	1	1	1	1	1	1	
2		5112890090	BOLT-CAP	5305-66-128-5693	4	4	4	4	4	4	4	4	
3		1217290430	PACKING		4	4	4	4	4	4	4	4	
4		8944383720	HOUSING-OIL COOLER	2930-66-128-5694	1	1	1	1	1	1	1	1	
5		5112820110	'O' RING	5330-66-128-4448	2	2	2	2	2	2	2	2	
6		8941532540	ELEMENT	2930-66-128-5695	1	1	1	1	1	1	1	1	
7		9095714200	'O' RING	5330-66-128-5696	1	1	1	1	1	1	1	1	
8		8944161700	PLUG	5365-66-128-5697	1	1	1	1	1	1	1	1	
9		8943210130	GASKET-OIL COOLER	5330-66-128-4264	1	1	1	1	1	1	1	1	
10		9019108280	BOLT	5306-66-128-5698	5	5	5	5	5	5	5	5	
11		0500408320	BOLT	5306-66-128-4398	6	6	6	6	6	6	6	6	
12		9019108350	BOLT	5306-66-128-4399	9	9	9	9	9	9	9	9	

CHANGE POINT

ARN INTRODUCTION

GROUP BF



THERMOSTAT AND HOUSING ASSEMBLY

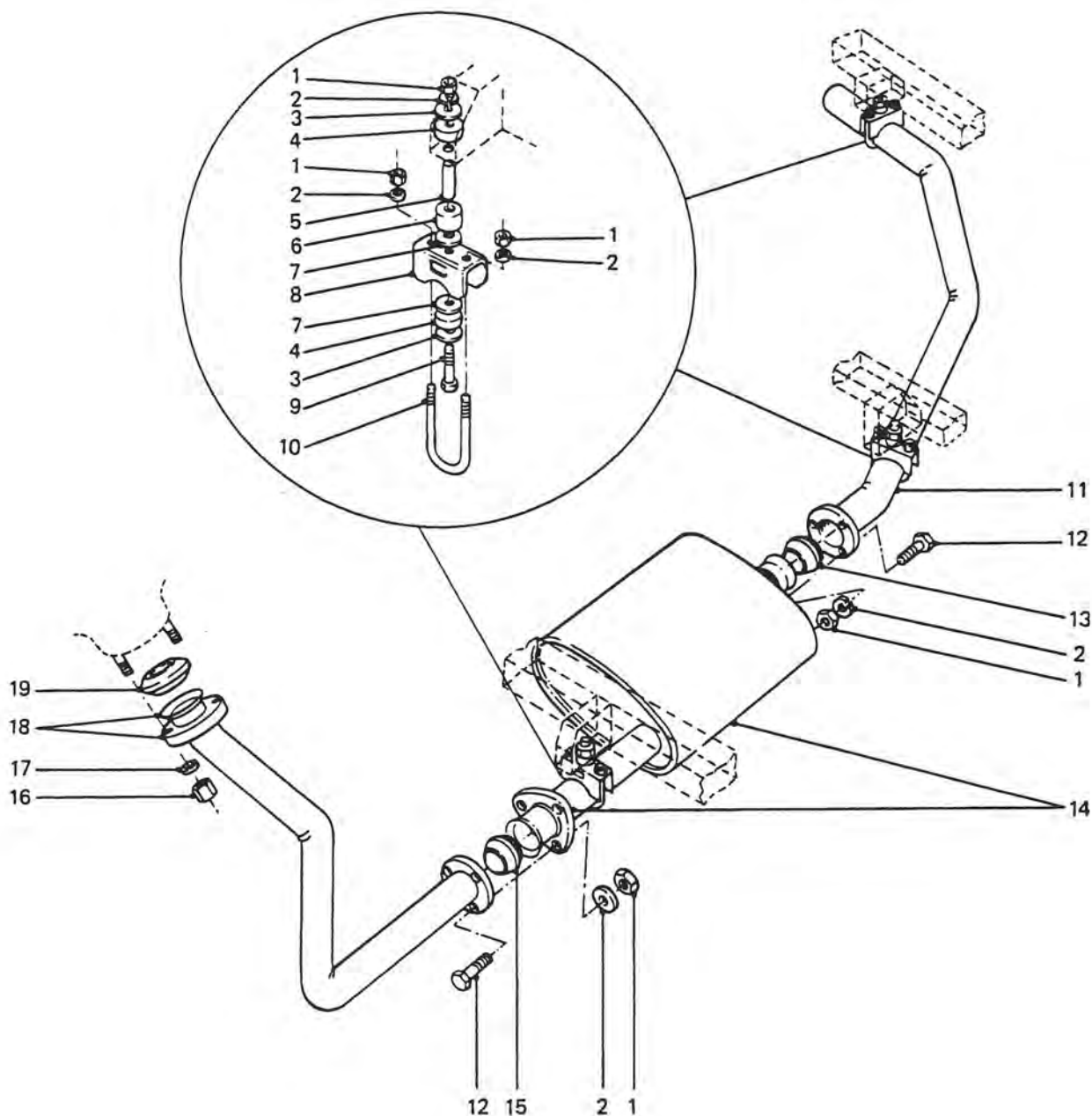
PERENTIE LAND ROVER PARTS LIST

ITEM	PART NO.	DESCRIPTION	NSN	DERIVATIVE CODE								
				2185	2186	2208	2209	2210	2211	2212	2219	CP
BF 1/1 THERMOSTAT AND HOUSING ASSEMBLY												
1	081208251E	BOLT	5306-66-128-5566	1	1	1	1	1	1	1	1	1
2	8943404000	ADAPTOR		1	1	1	1	1	1	1	1	1
3	8943274821	ELBOW-WATER	4730-66-128-5699	1	1	1	1	1	1	1	1	1
4	8941760310	SEALING RING-THERMOSTAT	5330-66-128-4270	1	1	1	1	1	1	1	1	1
5	8944723310	THERMOSTAT	6685-66-128-5700	1	1	1	1	1	1	1	1	1
6	5096050050	PLUG-HOUSING	4730-01-269-2313	2	2	2	2	2	2	2	2	2
7	9099034971	UNION	4730-66-128-4441	1	1	1	1	1	1	1	1	1
8	9019710300	BOLT-30MM LONG	5306-66-128-5532	2	2	2	2	2	2	2	2	2
	9019710250	BOLT-25MM LONG	5306-66-128-5702	3	3	3	3	3	3	3	3	3
	AYG9617	ADAPTOR	4730-66-128-4802	1	1	1	1	1	1	1	1	1
10	AYG9603	TRANSMITTER-WATER TEMPERATURE	6685-66-095-8448	1	1	1	1	1	1	1	1	1
11	8944033141	HOUSING-THERMOSTAT (INCL ITEMS 12 & 13)	2930-66-128-5701	1	1	1	1	1	1	1	1	1
12	8944814311	ADAPTOR-BY PASS	4730-66-128-5703	1	1	1	1	1	1	1	1	1
13	NSS											
14	9099153151	CLIP-HOSE	4730-66-128-5704	2	2	2	2	2	2	2	2	2
15	8944794590	HOSE-WATER	4720-66-128-5705	1	1	1	1	1	1	1	1	1
16	8943210090	GASKET-THERMOSTAT HOUSING TO HEAD	5330-66-128-5728	1	1	1	1	1	1	1	1	1
	MYH3371	ELBOW	4730-66-128-5706	1	1	1	1	1	1	1	1	1
18	MYH2898	WASHER	5310-66-128-4478	1	1	1	1	1	1	1	1	1
19	MYH2683	PLUG-FILLER	4730-66-128-4455	1	1	1	1	1	1	1	1	1

CHANGE POINT

ARN INTRODUCTION

GROUP CA

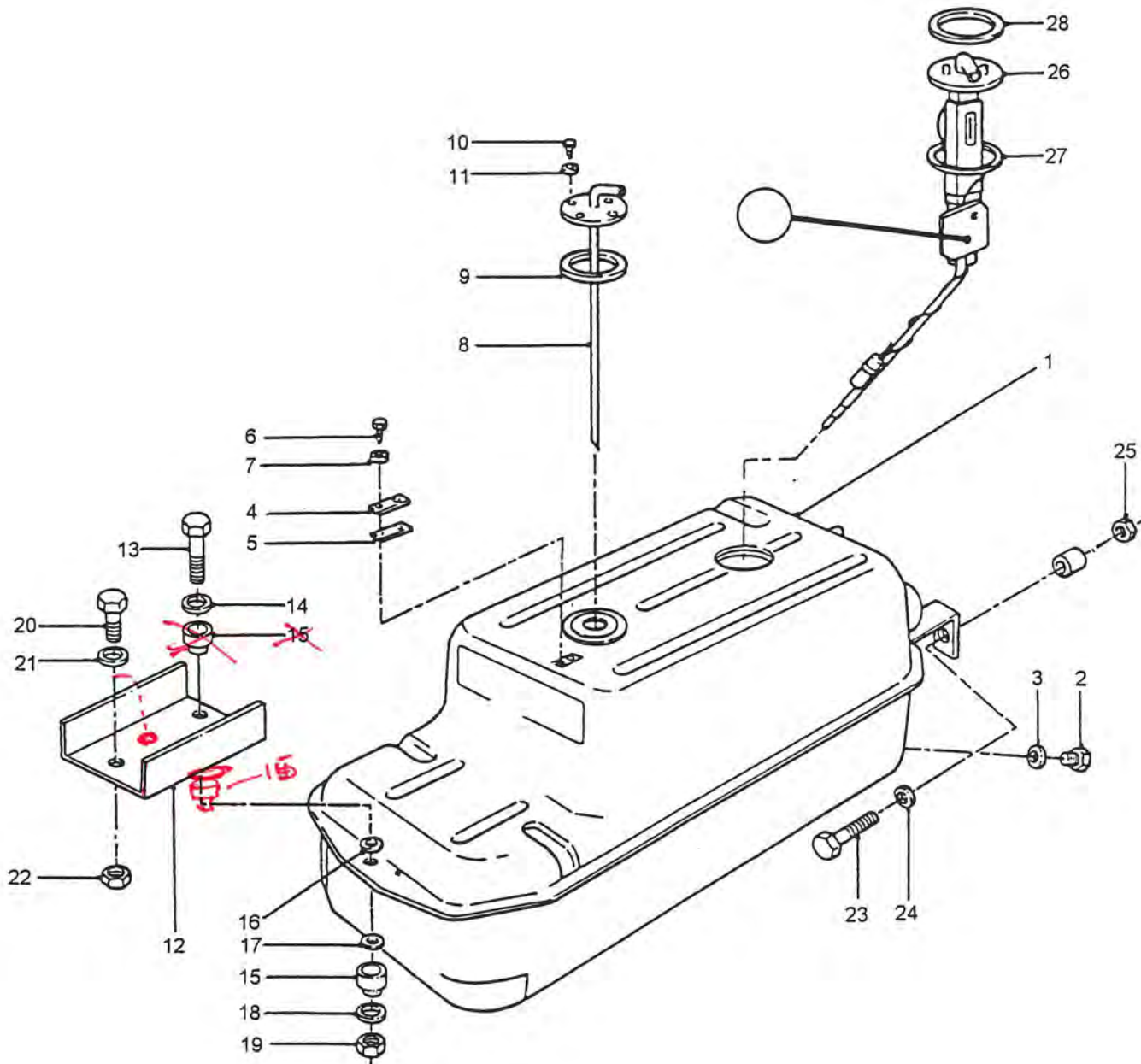


MUFFLER, PIPES AND MOUNTINGS

PERENTIE LAND ROVER PARTS LIST

<u>ITEM</u>	<u>PART NO.</u>	<u>DESCRIPTION</u>	<u>NSN</u>	<u>DERIVATIVE CODE</u>								
				<u>2185</u>	<u>2186</u>	<u>2208</u>	<u>2209</u>	<u>2210</u>	<u>2211</u>	<u>2212</u>	<u>2219</u>	<u>CP</u>
1	FN108041	NUT	5310-99-499-8033	15	15	15	15	15	15	15	15	15
2	WL108001L	WASHER-LOCK	5310-99-138-9227	15	15	15	15	15	15	15	15	15
3	WP105L	WASHER-PLAIN	5310-99-122-3034	6	6	6	6	6	6	6	6	6
4	R572166	BUSH	5365-99-825-6084	6	6	6	6	6	6	6	6	6
5	R592072	SPACER TUBE	5365-99-825-6087	3	3	3	3	3	3	3	3	3
6	R572167	BUSH	5365-99-825-6086	3	3	3	3	3	3	3	3	3
7	R572168	BUSH	5330-99-825-6085	6	6	6	6	6	6	6	6	6
8	NRC7608	PLATE-CLAMP	2990-99-721-3570	3	3	3	3	3	3	3	3	3
9	FB108141	BOLT	5306-99-122-5259	3	3	3	3	3	3	3	3	3
10	IRC7609	U BOLT	5306-99-721-3571	3	3	3	3	3	3	3	3	3
11	AYG2894	PIPE-EXHAUST	2990-66-128-5468	1	1	1	1	1	1	1	1	1
12	BH108091L	BOLT	5306-99-122-5255	6	6	6	6	6	6	6	6	6
13	NTC2731	OLIVE	5340-66-128-4462	1	1	1	1	1	1	1	1	1
14	AYG2908	MUFFLER		1	1	1	1	1	1	1	1	1
15	NTC1030	OLIVE	5340-66-128-4461	1	1	1	1	1	1	1	1	1
16	9096400140	NUT-EXHAUST PIPE	5310-66-128-4992	3	3	3	3	3	3	3	3	3
17	5095000130	WASHER-EXHAUST PIPE	5310-66-128-4417	3	3	3	3	3	3	3	3	3
18	BYG2019	PIPE-EXHAUST	2990-66-128-5790	1	1	1	1	1	1	1	1	1
19	5221190031	CLAMP RING	2990-66-128-4261	1	1	1	1	1	1	1	1	1
20	8970329771	STUD		3	3	3	3	3	3	3	3	3

POINT ARN INTRODUCTION

GROUP DA/1

**FUEL TANK, MOUNTINGS AND SENDER UNIT
- EXCEPT LRPV**

PERENTIE LAND ROVER PARTS LIST

DA /1/1

FUEL TANK, MOUNTINGS AND SENDER UNIT - EXCEPT LRPV

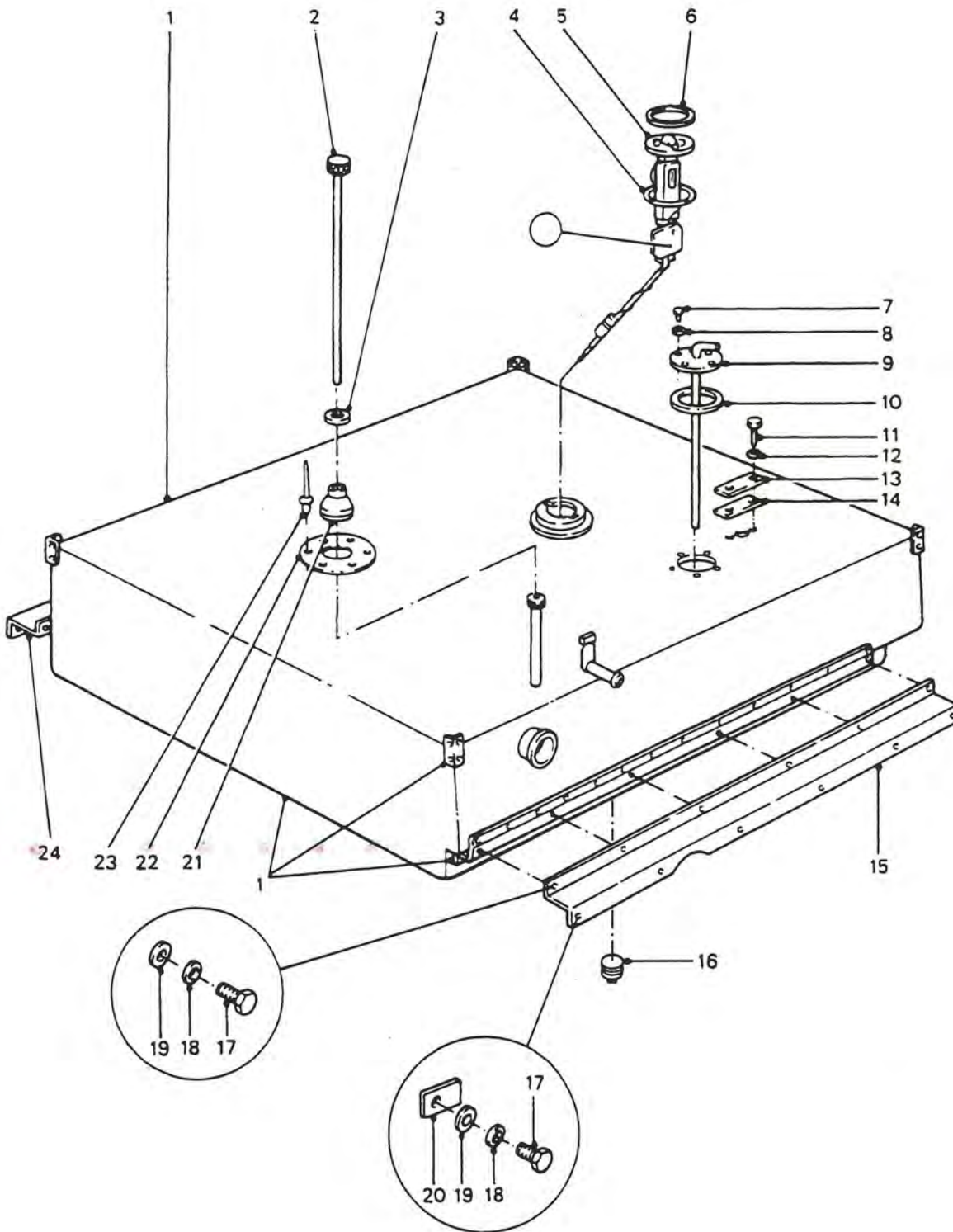
ITEM	PART NO.	DESCRIPTION	NSN	DERIVATIVE CODE							CP
				2185	2186	2208	2209	2210	2211	2212	
1	RRC4609	TANK-FUEL	2910-66-128-4480	2	2	2	2	2		2	2
2	NRC62	PLUG-DRAIN	5365-99-828-7803	2	2	2	2	2		2	2
3	R234958	WASHER-DRAIN PLUG	5330-99-850-0344	2	2	2	2	2		2	2
4	AYG2874	PLATE-BLANKING	5340-66-128-4467	2	2	2	2	2		2	2
5	R267837	WASHER-JOINT	5305-99-101-4416	4	4	4	4	4		4	4
6	R3890	SCREW	5305-99-101-4416	4	4	4	4	4		4	4
7	R3101	WASHER-LOCK	5310-99-941-6652	4	4	4	4	4		4	4
8	NTC2180	PIPE-FUEL FEED	4730-99-729-6634	2	2	2	2	2		2	2
9	PRC5852	RING-SEALING	2910-99-729-2958	2	2	2	2	2		2	2
10	3E105121L	SCREW	5305-99-135-0429	10	10	10	10	10		10	10
11	WL105001L	WASHER-LOCK	5310-99-977-1102	10	10	10	10	10		10	10
12	AYG2968	BRACKET-MOUNTING-FRO		2	2	2	2	2		2	2
13	NRC4765	BOLT	5306-66-128-4466	2	2	2	2	2		2	2
14	R2265L	WASHER-PLAIN	5310-99-137-8657	2	2	2	2	2		2	2
15	90508545	BUSH-RUBBER	5340-99-805-8623	4	4	4	4	4		4	4
16	WP185	WASHER-PLAIN	5310-99-136-5496	2	2	2	2	2		2	2
17	WA108051L	WASHER-PLAIN	5310-99-122-6475	2	2	2	2	2		2	2
18	WL108001L	WASHER-LOCK	5310-99-138-9227	2	2	2	2	2		2	2
19	FN108041	NUT	5310-99-499-8033	2	2	2	2	2		2	2
20	FS108251	SCREW	5305-99-122-5367	4	4	4	4	4		4	4
21	VA108051L	WASHER-PLAIN	5310-99-122-6475	4	4	4	4	4		4	4
22	NY108041L	NUT-NYLOC	5310-99-122-5496	4	4	4	4	4		4	4
23	FS108301	SCREW	5305-99-122-5368	4	4	4	4	4		4	4
24	WA108051L	WASHER-PLAIN	5310-99-122-6475	8	8	8	8	8		8	8
25	NY108041L	NUT-NYLOC	5310-99-122-5496	4	4	4	4	4		4	4
26	AYG9825	UNIT-SENDER	6680-66-128-4877	2	2	2	2	2		2	2
27	ARA1502L	WASHER-SEALING	5310-99-625-1886	2	2	2	2	2		2	2
28	ARA1501L	RING-LOCKING	2910-99-804-6574	2	2	2	2	2		2	2

CHANGE POINT

ARN INTRODUCTION

GROUP DA/2

LRPV ONLY



MAIN FUEL TANK, MOUNTINGS AND SENDER UNIT - LRPV ONLY

PERENTIE LAND ROVER PARTS LIST

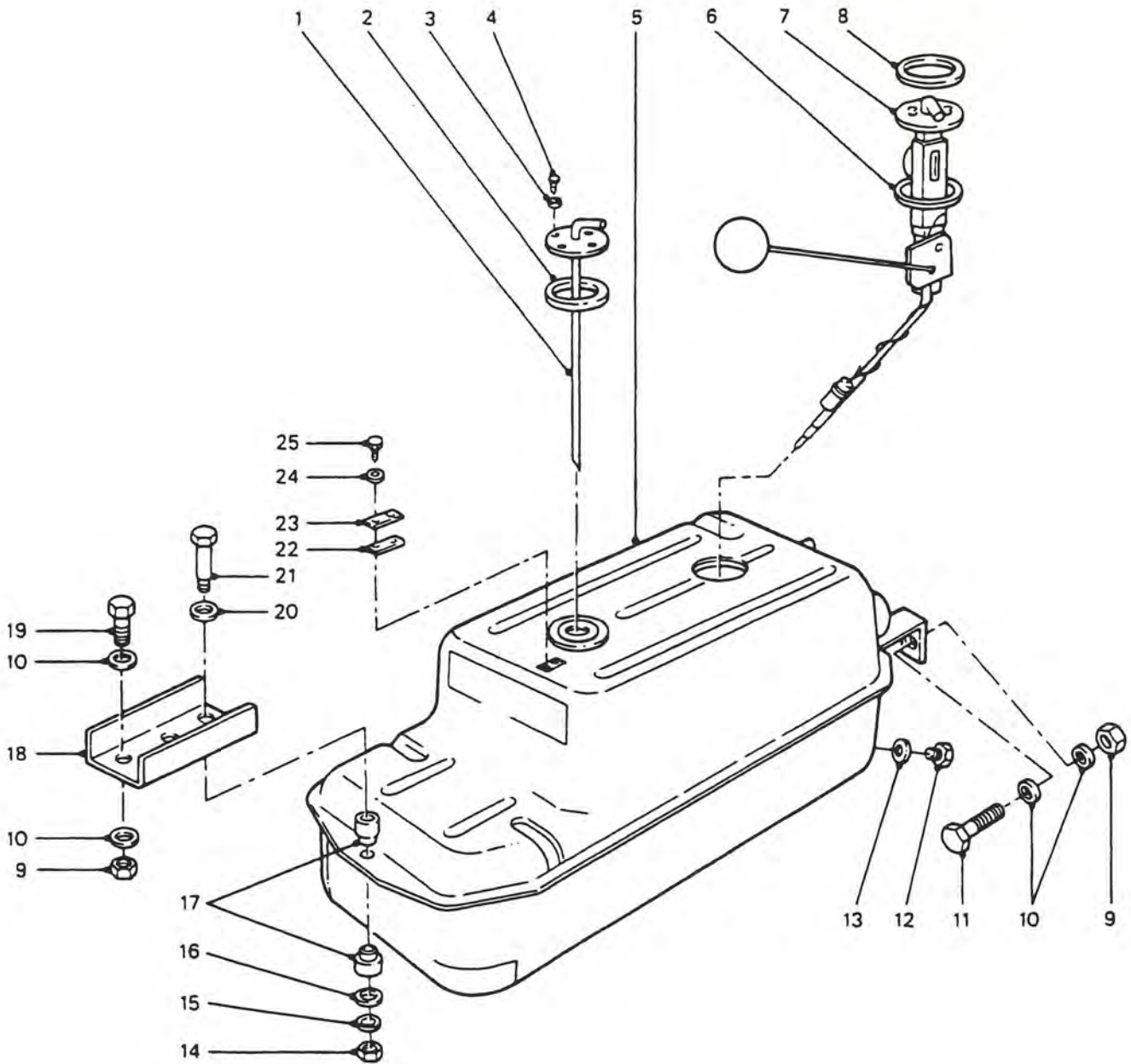
<u>ITEM</u>	<u>PART NO.</u>	<u>DESCRIPTION</u>	<u>NSN</u>	<u>DERIVATIVE CODE</u>								
				<u>2185</u>	<u>2186</u>	<u>2208</u>	<u>2209</u>	<u>2210</u>	<u>2211</u>	<u>2212</u>	<u>2219</u>	<u>CP</u>
1	AYG2976	TANK-FUEL-300 LITRE (INCL ITEM 16)	2910-66-128-6257									1
2	BYG2007	DIPSTICK ASSY										1
3	BYG2010	WASHER-SEALING	5310-66-128-6258									1
4	PRC8474	RING-SEALING	5310-99-625-1886									1
5	AYG9825	UNIT-SENDER	6680-66-128-4877									1
6	ARA1501L	RING-LOCKING	2910-99-804-6574									1
7	SE105121L	SCREW	5305-99-135-0429									5
8	WL105001L	WASHER-LOCK	5310-99-977-1102									5
9	BYG2017	PIPE & PLATE ASSY	4730-66-128-6259									1
10	PRC5852	RING-SEALING	2910-99-729-2958									1
11	R3890	SCREW	5305-99-101-4416									2
12	R3101	WASHER-LOCK	5310-99-941-6652									2
13	AYG2874	PLATE-BLANKING	5340-66-128-4467									1
14	R267837	WASHER-JOINT	5330-99-850-0558									1
15	AYG2986	ANGLE-MOUNTING-RH										1
16	MYH2419	PLUG-DRAIN	5340-66-128-6260									1
17	FS108201	SCREW	5305-99-122-5366									24
18	WL108001L	WASHER-LOCK	5310-99-138-9227									24
19	WA108051L	WASHER-PLAIN	5310-99-122-6475									24
20	AYG2985	NUT PLATE ASSY										2
21	MRC3613	GROMMET	5330-99-796-6132									1
22	AYG544	PLATE-MOUNTING										1
23	R78248	POP RIVET	5320-99-970-3518									6
24	AYG2987	ANGLE-MOUNTING-LH										1
	MYH5360/950	STRIP-RUBBER-FUEL TANK	5330-66-128-6261									2

CHANGE POINT

ARN INTRODUCTION

GROUP DAA

LRPV ONLY



**AUXILLARY FUEL TANK, MOUNTINGS AND
SENDER UNIT – LRPV ONLY**

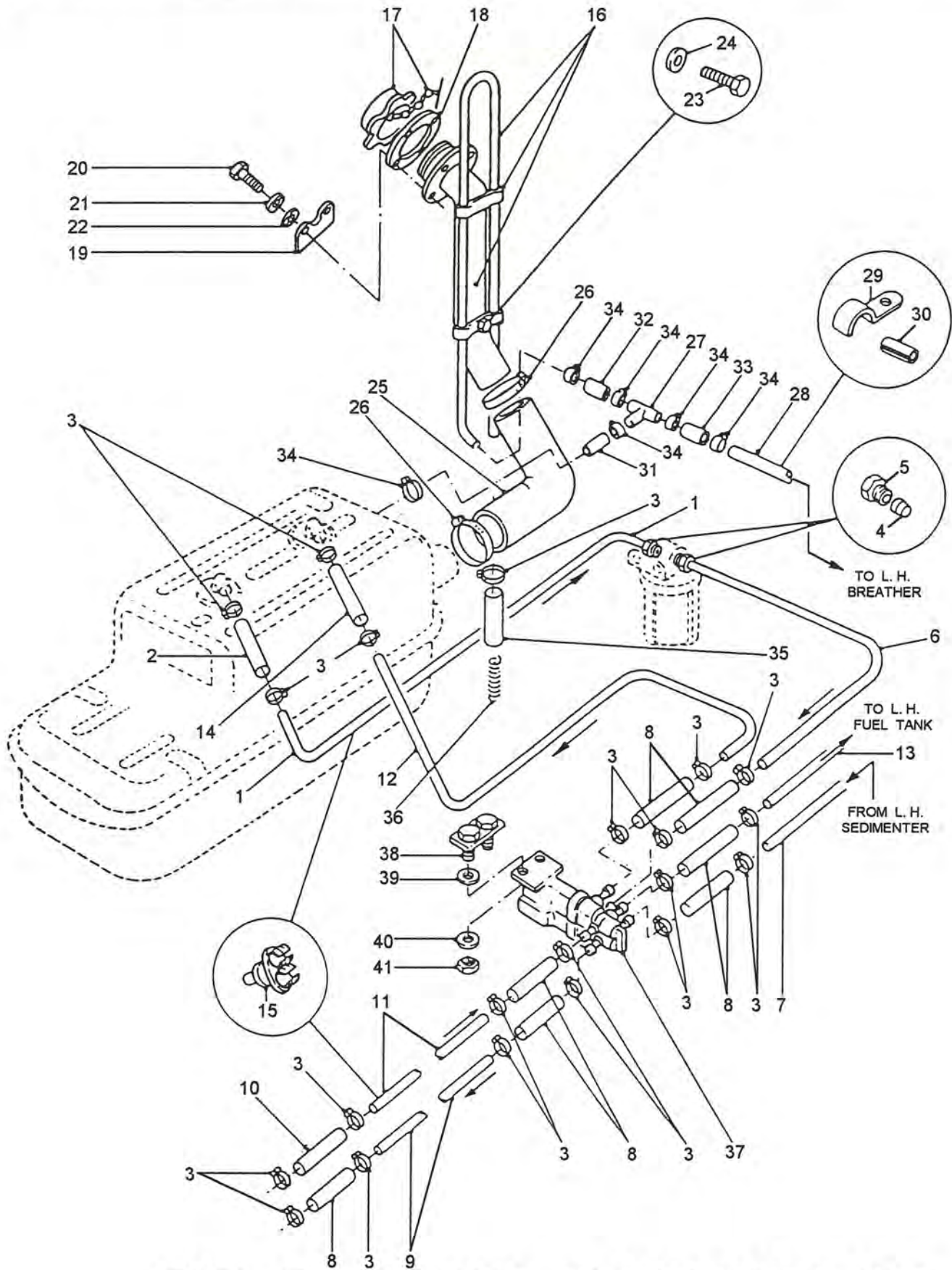
PERENTIE LAND ROVER PARTS LIST

<u>DAA /1/1</u>		<u>AUXILLARY FUEL TANK, MOUNTINGS AND SENDER UNIT - LRPV ONLY</u>										
<u>ITEM</u>	<u>PART NO.</u>	<u>DESCRIPTION</u>	<u>NSN</u>	<u>DERIVATIVE CODE</u>								
				<u>2185</u>	<u>2186</u>	<u>2208</u>	<u>2209</u>	<u>2210</u>	<u>2211</u>	<u>2212</u>	<u>2219</u>	<u>CP</u>
1	NTC2159	PIPE & PLATE ASSY	4730-66-128-6118									1
2	PRC5852	RING-SEALING	2910-99-729-2958									1
3	WL105001L	WASHER-LOCK	5310-99-977-1102									5
4	SE105121L	SCREW	5305-99-135-0429									5
5	NTC2088	TANK-FUEL-AUXILLARY-RH	2910-99-776-9610									1
6	PRC8474	RING-SEALING	5310-99-625-1886									1
7	BYG9133	UNIT-SENDER	6680-66-128-6117									1
8	ARA1501L	RING-LOCKING	2910-99-804-6574									1
9	NY108041L	NUT-NYLOC	5310-99-122-5496									4
10	WA108051L	WASHER-PLAIN	5310-99-122-6475									7
11	FS108301	SCREW	5305-99-122-5368									2
12	NRC62	PLUG-DRAIN	5365-99-828-7803									1
13	R243958	WASHER-COPPER	5330-99-850-0344									1
14	FN108041	NUT	5310-99-499-8033									1
15	WL108001L	WASHER-LOCK	5310-99-138-9227									1
16	WP185	WASHER-PLAIN	5310-99-136-5496									1
16	WA108051L	WASHER-PLAIN	5310-99-122-6475									1
17	90508545	BUSH-RUBBER	5340-99-805-8623									2
18	AYG2968	BRACKET-MOUNTING-FRONT										1
19	FS108251	SCREW	5305-99-122-5367									2
20	R2265L	WASHER-PLAIN	5310-99-137-8657									1
21	NRC4765	BOLT	5306-66-128-4466									1
22	R267837	WASHER-JOINT	5330-99-850-0558									1
23	AYG2874	PLATE-BLANKING	5340-66-128-4467									1
24	R3101	WASHER-LOCK	5310-99-941-6652									2
25	R3890	SCREW	5305-99-101-4416									2

CHANGE POINT

ARN INTRODUCTION

GROUP DBA/1



**FUEL TANK LINES, FILLER TUBE AND
SELECTOR VALVE - EXCEPT LRPV**

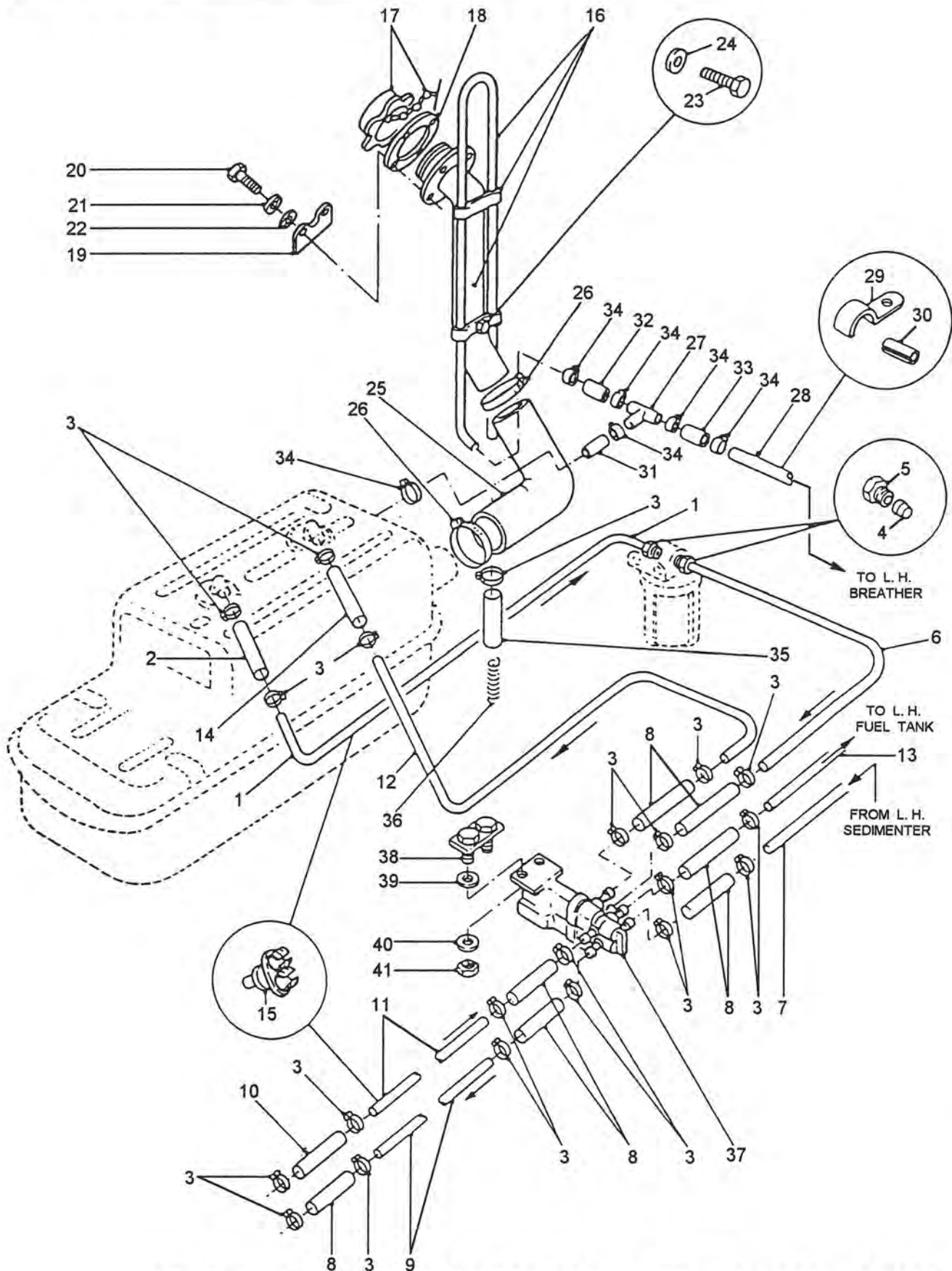
PERENTIE LAND ROVER PARTS LIST

<u>ITEM</u>	<u>PART NO.</u>	<u>DESCRIPTION</u>	<u>NSN</u>	<u>DERIVATIVE CODE</u>								
				<u>2185</u>	<u>2186</u>	<u>2208</u>	<u>2209</u>	<u>2210</u>	<u>2211</u>	<u>2212</u>	<u>2219</u>	<u>CP</u>
1	AYG2919	PIPE-FEED-TANK TO SEDIMENTOR-RH	4710-66-128-5466	1	1	1	1	1		1		
1	BYG2088	PIPE-FEED-TANK TO SEDIMENTOR-RH	4710-66-128-6268	1	1	1	1	1		1		01
1	BYG2131	PIPE-FEED-TANK TO SEDIMENTOR-RH										1
1	AYG2922	PIPE-FEED-TANK TO SEDIMENTOR-LH	4710-66-128-5465	1	1	1	1	1		1		
1	BYG2089	PIPE-FEED-TANK TO SEDIMENTOR-LH		1	1	1	1	1		1	1	01
2	MYH5331/460	HOSE-FUEL	4720-66-128-5454	2	2	2	2	2		2		2
3	MYH3385	CLIP-HOSE	4730-66-128-4517	24	24	24	24	24		24		24
4	R542846	OLIVE	4730-99-801-7775	4	4	4	4	4		4		4
5	R577728	NUT-TUBE	4730-66-128-4516	4	4	4	4	4		4		4
6	AYG2920	PIPE-FEED-SEDIMENTOR TO VALVE-RH	4710-66-128-5464	1	1	1	1	1		1		1
7	AYG2923	PIPE-FEED-SEDIMENTOR TO VALVE-LH	4710-66-128-5462	1	1	1	1	1		1		1
8	MYH5321/160	HOSE-FUEL	4720-66-128-5251	7	7	7	7	7		7		7
9	AYG2921	PIPE-FEED-VALVE TO INJECTION PUMP	4710-66-128-5460	1	1	1	1	1		1		1
10	MYH5331/160	HOSE-FUEL RETURN	4720-66-128-5454	1	1	1	1	1		1		1
11	AYG2925	PIPE-INJECTION PUMP TO VALVE	4710-66-128-5461	1	1	1	1	1		1		1
12	AYG2924	PIPE-RETURN-VALVE TO TANK-RH	4710-66-128-5459	1	1	1	1	1		1		
12	BYG2087	PIPE-RETURN-VALVE TO TANK-RH	4710-66-128-6272	1	1	1	1	1		1	1	01

PERENTIE LAND ROVER PARTS LIST

ITEM	PART NO.	DESCRIPTION	NSN	DERIVATIVE CODE							CP
				2185	2186	2208	2209	2210	2211	2212	
13	AYG2926	PIPE-RETURN-VALVE TO TANK-LH	4710-66-128-5456	1	1	1	1	1		1	
13	BYG2086	PIPE-RETURN-VALVE TO TANK-LH		1	1	1	1	1		1	1 01
14	MYH5331/500	HOSE-FUEL-PIPE TO TANK	4720-66-128-5454	2	2	2	2	2		2	2
15	R79158	CLIP-PIPES TO CHASSIS	5340-66-128-5457	14	14	14	14	14		14	14
16	AYG2914	TUBE-FUEL FILLER AND BREATHER-RH		1	1	1	1	1		1	1
16	AYG2913	TUBE-FUEL FILLER AND BREATHER-LH		1	1	1	1	1		1	1
17	HYG2366	CAP-FILLER	2910-66-128-5470	2	2	2	2	2		2	4
18	ESR1650	SEAL-FILLER TUBE TO BODY		2	2	2	2	2		2	2
19	R502951	PLATE-INSTRUCTION-FUEL	9905-66-128-4521	2	2	2	2	2		2	2
20	SP105121	SCREW		4	4	4	4	4		4	4
21	WL105001L	WASHER-LOCK	5310-99-977-1102	4	4	4	4	4		4	4
22	WC105001L	WASHER-PLAIN	5310-99-122-3032	4	4	4	4	4		4	4
23	SE106201L	SCREW	5305-99-796-7536	2	2	2	2	2		2	2
24	WJ106001L	WASHER-PLAIN	5310-66-128-4699	2	2	2	2	2		2	2
25	AYG2915	ELBOW	4720-66-128-5467	2	2	2	2	2		2	2
26	CJ6000444	CLIP-HOSE	4730-99-420-3088	4	4	4	4	4		4	4
27	MYH3537	TEE PIECE		2	2	2	2	2		2	2
28	BYG2024	TUBE-CROSS-BREATHER		1	1	1	1	1		1	1
29	HYG4406	CLIP-PIPE		2	2	2	2	2		2	2
30	HYG4422	MOUNTING-BREATHER PIPE		2	2	2	2	2		2	2
	SE106201L	SCREW-CROSS TUBE TO REAR CAB FLOOR	5305-99-796-7536								4
	WA106041L	WASHER-PLAIN-BREATHF CROSS TUBE TO REAR CAB FLOOR	5310-66-098-4440								4

GROUP DBA/1



**FUEL TANK LINES, FILLER TUBE AND
SELECTOR VALVE - EXCEPT LRPV**

PERENTIE LAND ROVER PARTS LIST

<u>ITEM</u>	<u>DBA /1/1</u> <u>PART NO.</u>	<u>DESCRIPTION</u>	<u>NSN</u>	<u>DERIVATIVE CODE</u>									
				<u>2185</u>	<u>2186</u>	<u>2208</u>	<u>2209</u>	<u>2210</u>	<u>2211</u>	<u>2212</u>	<u>2219 CP</u>		
	NY106041L	NUT-NYLOC-BREATHER CROSS TUBE TO REAR CAB FLOOR	5310-99-138-8423										4
31	MYH5323/50	HOSE-BREATHER-TANK TO TEE PIECE		2	2	2	2	2		2	2		
32	MYH5323/100	HOSE-TEE TO BREATHER PIPE		2	2	2	2	2		2	2		
33	MYH5323/140	HOSE-TEE PIECE TO CROSS TUBE		2	2	2	2	2		2	2		
34	CJ600124	CLIP	4730-66-012-6544	12	12	12	12	12		12	12		
35	AYG2878	FILTER-BREATHER	2910-66-128-4513	2	2	2	2	2		2	2		
36	MYH3348	SPRING-FILTER		2	2	2	2	2		2	2		
37	AYG2840	VALVE-FUEL SELECTOR	2910-66-128-5458	1	1	1	1	1		1	1		
38	HYG4027	SCREW PLATE		1	1	1	1	1		1	1		
39	MYH3285	WASHER-PLAIN-ADHESIVE		2	2	2	2	2		2	2		
40	WA106041L	WASHER-PLAIN	5310-66-098-4440	2	2	2	2	2		2	2		
41	NY106041L	NUT-NYLOC	5310-99-138-8423	2	2	2	2	2		2	2		
42	MYH3206	PLUG-CHASSIS CROSSMEMBER	5340-66-128-5456	1	1	1	1	1		1	1		

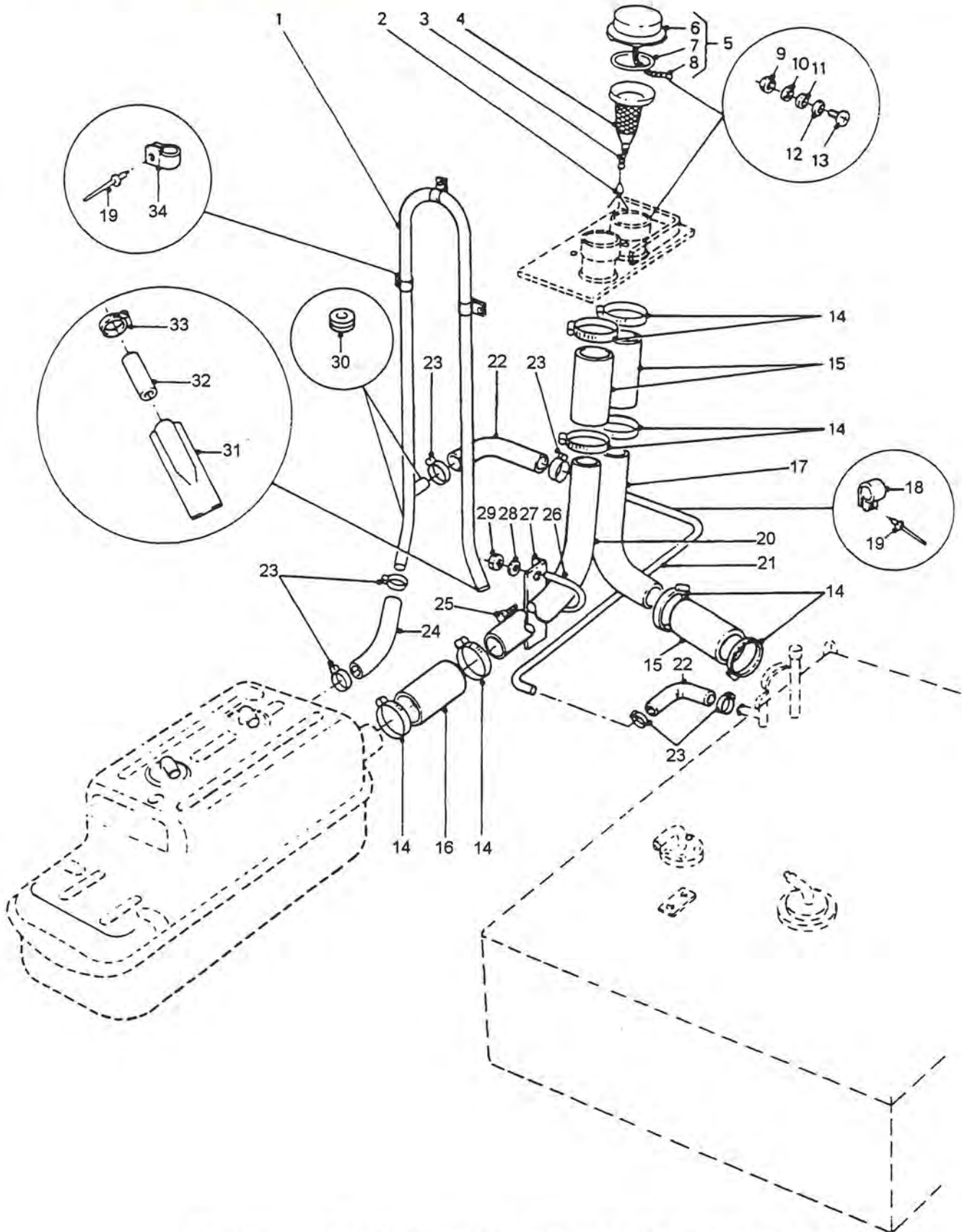
CHANGE POINT

ARN INTRODUCTION

1

51-855

GROUP DBA/2/1



**FUEL TANK FILLER AND BREATHER
- LRPV ONLY**

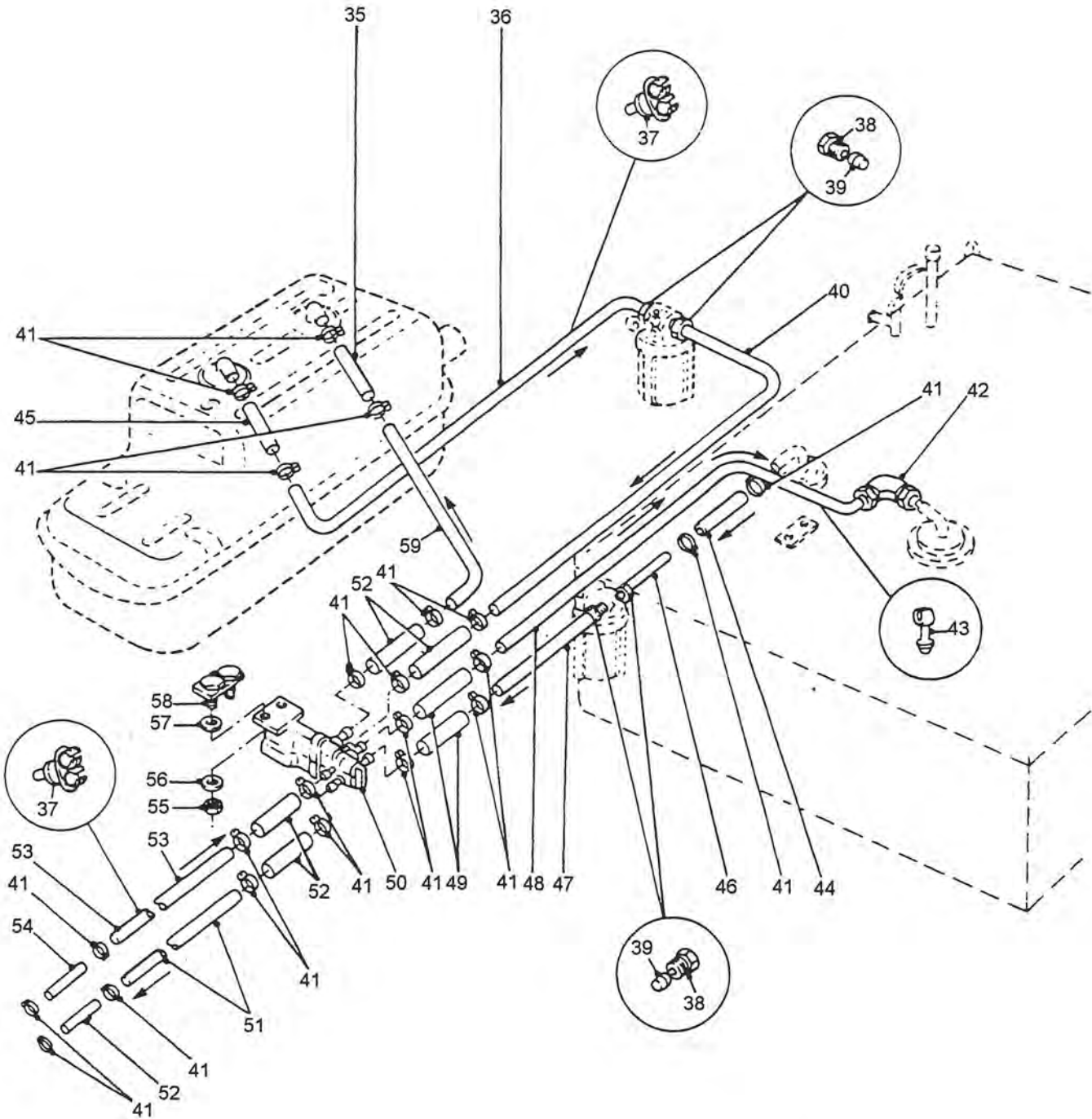
PERENTIE LAND ROVER PARTS LIST

<u>ITEM</u>	<u>DBA /2/1</u>	<u>PART NO.</u>	<u>DESCRIPTION</u>	<u>NSN</u>	<u>DERIVATIVE CODE</u>										
					<u>2185</u>	<u>2186</u>	<u>2208</u>	<u>2209</u>	<u>2210</u>	<u>2211</u>	<u>2212</u>	<u>2219</u>	<u>CP</u>		
25		MYH3337	SCREW-BREATHER PIPE TO BODY	5305-66-128-5341											2
		CP104121	'P' CLIP	5340-66-128-5611											2
26		AYG2692	CLAMP-RH FUEL FILLER TO SUPPORT												1
27		HYG4777	SUPPORT-FUEL FILLER PIPE												1
28		WA108051L	WASHER-PLAIN	5310-99-122-6475											2
29		NY108041L	NUT-NYLOC	5310-99-122-5496											2
30		R555711	GROMMET-BREATHER PIPE THROUGH FLOOR AND TRIM PLATE-REAR	5325-99-808-3203											2
		MYH3525	GROMMET-BREATHER PIPE THROUGH FLOOR	5325-66-128-6273											1
31		BYG2012	FILTER-FUEL TANK BREATHER	2590-66-128-6267											1
32		MYH5321/40	HOSE-FUEL FILLER INSERT	4720-66-128-5251											1
33		CJ600164L	CLIP-FILTER TO BREATHER PIPE	4730-99-533-2960											1
34		MYH2223	'P' CLIP-BREATHER PIPE TO TRIM PLATE												3

CHANGE POINT

ARN INTRODUCTION

GROUP DBA/2/2

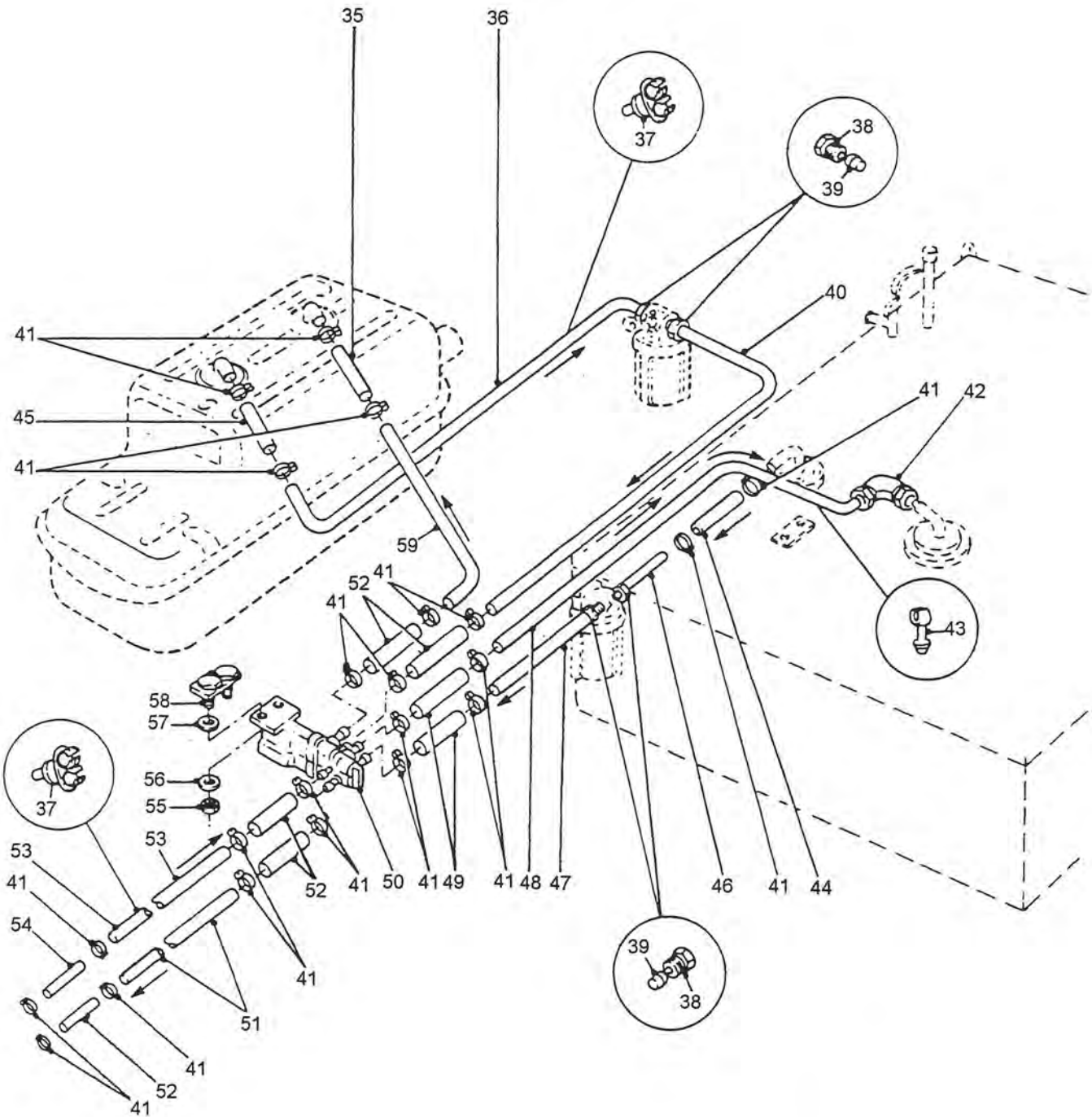


**FUEL TANK LINES AND SELECTOR VALVE
- LRPV ONLY**

PERENTIE LAND ROVER PARTS LIST

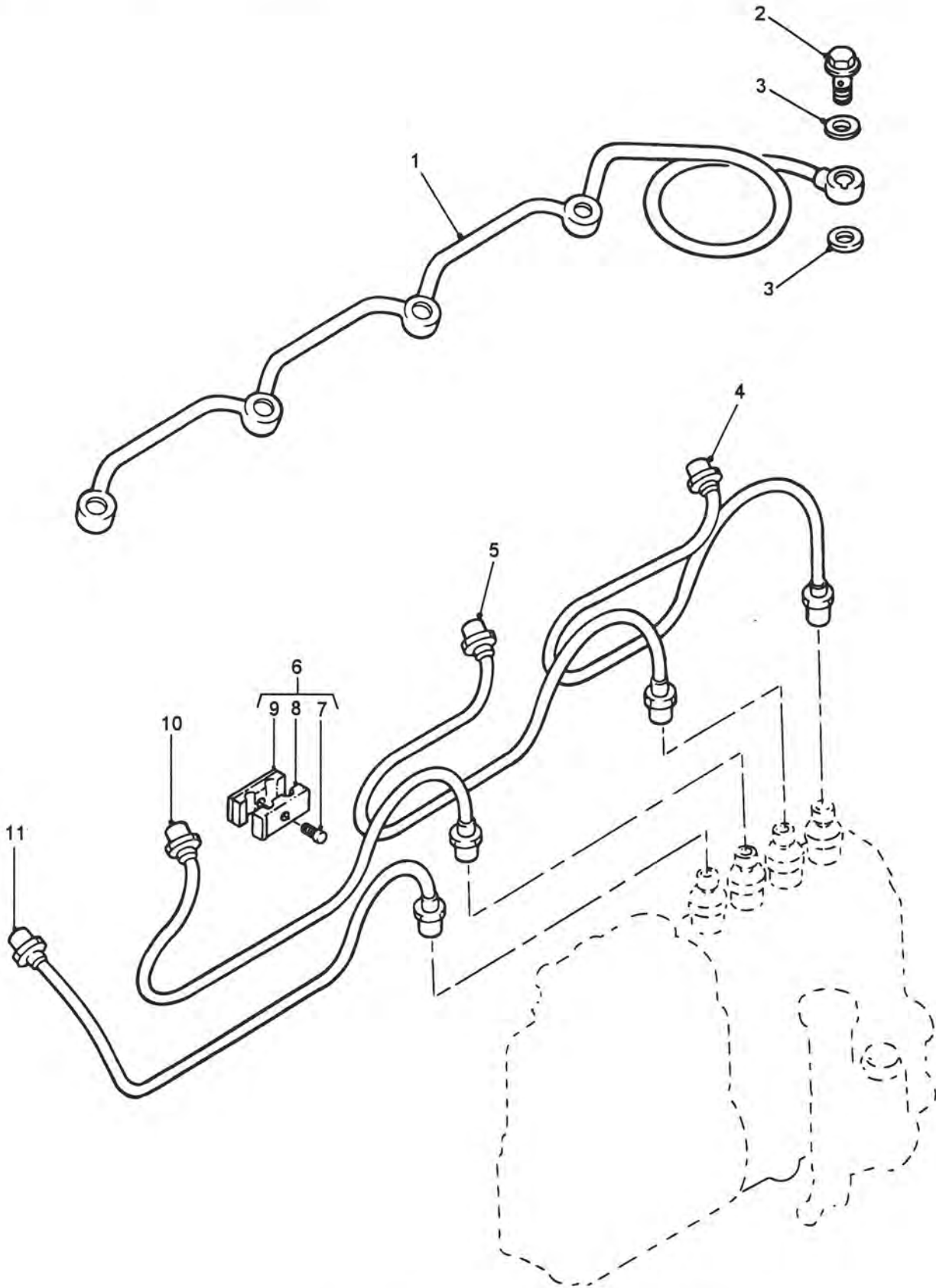
ITEM	DBA /2/2 PART NO.	DESCRIPTION	NSN	DERIVATIVE CODE							
				2185	2186	2208	2209	2210	2211	2212	2219
35	MYH5331/50	HOSE-FUEL RETURN PIPE TO LH SIDE TANK FUEL LEVEL UNIT	4720-66-128-5454							1	
36	BYG2088	PIPE-FUEL-TANK TO RH SIDE SEDIMENTOR-FEED	4710-66-128-6268							1	
37	R79158	CLIP-FUEL PIPES TO CHASSIS	5340-66-128-5457							14	
38	R577728	NUT-TUBE-FUEL PIPES TO SEDIMENTOR	5310-66-128-5214							4	
39	R542846	OLIVE	4730-99-801-7775							4	
40	AYG2920	PIPE-FUEL-LH SIDE SEDIMENTOR TO SELECTOR VALVE-FEED	4710-66-128-5464							1	
41	MYH3385	CLIP-HOSE	4730-66-128-4517							22	
42	MYH3613	ELBOW-FUEL TANK TO MAIN TANK-RETURN	4730-66-128-6269							1	
43	PRC3180	CLIP-FUEL PIPE	5340-66-128-4611							1	
44	MYH5331/100C	HOSE-FUEL-MAIN TANK PIPE TO LH SIDE PIPE-FEED	4720-66-128-5454							1	
45	MYH5331/460	HOSE-FUEL-RH TANK PIPE TO FUEL PIPE-FEED	4720-66-128-5454							1	
46	3YG2016	PIPE-FUEL-LH SIDE TANK TO LH SIDE SEDIMENTOR-FEED	4710-66-128-6270							1	
47	AYG2923	PIPE-FEED-SEDIMENTOR TO SELECTOR VALVE	4710-66-128-5462							1	
48	BYG2103	PIPE-FUEL-SELECTOR VALVE TO MAIN TANK-RETURN	4710-66-128-6271							1	
49	MYH5321/300	HOSE-FUEL-SELECTOR VALVE TO FUEL RETURN PIPE-MAIN TANK	4720-66-128-5251							2	

GROUP DBA/2/2



**FUEL TANK LINES AND SELECTOR VALVE
- LRPV ONLY**

GROUP DBB



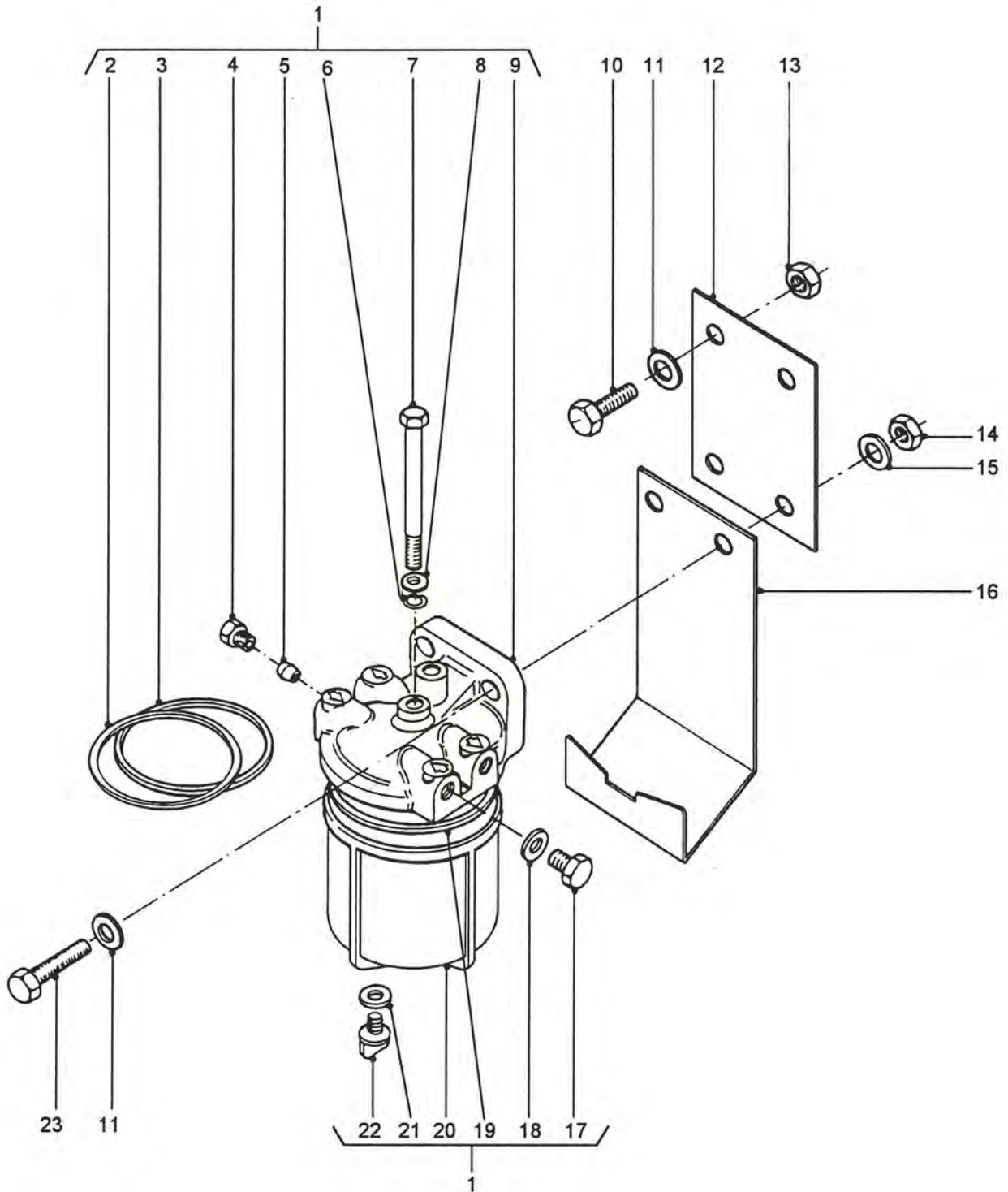
FUEL INJECTOR LINES

PERENTIE LAND ROVER PARTS LIST

<u>ITEM</u>	<u>DBB /1/1</u> <u>PART NO.</u>	<u>FUEL INJECTOR LINES</u> <u>DESCRIPTION</u>	<u>NSN</u>	<u>DERIVATIVE CODE</u>								
				<u>2185</u>	<u>2186</u>	<u>2208</u>	<u>2209</u>	<u>2210</u>	<u>2211</u>	<u>2212</u>	<u>2219</u>	<u>CP</u>
1	8944795750	PIPE-INJECTION-SPILL RETURN	4710-66-128-5526	1	1	1	1	1	1	1	1	1
2	9099063141	BOLT	4730-66-128-4469	1	1	1	1	1	1	1	1	1
3	9095714080	WASHER-COPPER-LEAK OFF PIPE	5310-66-128-4271	2	2	2	2	2	2	2	2	2
4	8941328751	PIPE-INJECTION-NO 1 CYLINDER	4710-66-128-5527	1	1	1	1	1	1	1	1	1
5	8941328761	PIPE-INJECTION-NO 2 CYLINDER	4710-66-128-5521	1	1	1	1	1	1	1	1	1
6	5154190130	CLIP (INCL ITEMS 7-9)	5340-66-128-4472	3	3	3	3	3	3	3	3	3
7	NSS											
8	NSS											
9	NSS											
10	8941328771	PIPE-INJECTION-NO 3 CYLINDER	4710-66-128-5522	1	1	1	1	1	1	1	1	1
11	8941328781	PIPE-INJECTION-NO 4 CYLINDER	4710-66-128-5528	1	1	1	1	1	1	1	1	1

CHANGE POINT

ARN INTRODUCTION

GROUP DBC

**FUEL SEDIMENTER ASSEMBLY,
GUARD AND MOUNTINGS**

PERENTIE LAND ROVER PARTS LIST

DBC /1/1 FUEL SEDIMENTOR ASSEMBLY, GUARD AND MOUNTINGS

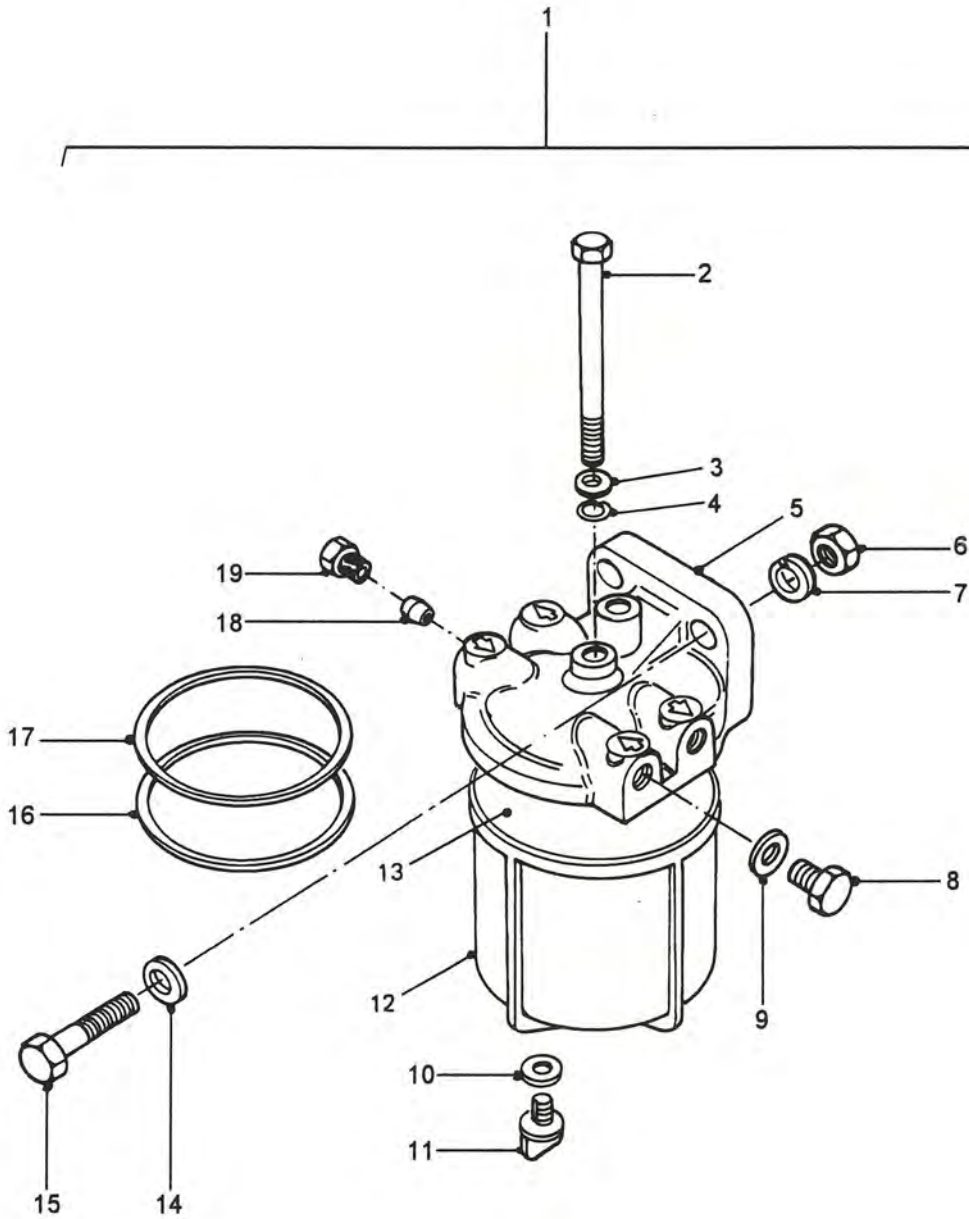
ITEM	PART NO.	DESCRIPTION	NSN	DERIVATIVE CODE								CP
				2185	2186	2208	2209	2210	2211	2212	2219	
1	NRC9708	FUEL SEDIMENTOR	2910-99-825-4293	2	2	2	2	2	2	2	2	2
2	AAU9902	SEAL-BODY-BOTTOM	5330-66-128-4368	2	2	2	2	2	2	2	2	2
3	AAU9903	SEAL-BODY-TOP	5330-99-829-2704	2	2	2	2	2	2	2	2	2
4	R577728	TUBE NUT	4730-66-128-4516	4	4	4	4	4	4	4	4	4
5	R542846	OLIVE	4730-99-801-7775	4	4	4	4	4	4	4	4	4
6	37H770L	RING-SEALING	5330-99-943-0008	2	2	2	2	2	2	2	2	2
7	37H8119	BOLT	5306-99-138-1075	2	2	2	2	2	2	2	2	2
8	R522940	WASHER	5310-66-128-4369	2	2	2	2	2	2	2	2	2
9	NSS											
10	3H110251L	SCREW-EXTENSION PLATE TO CHASSIS-RH SIDE	5305-99-122-4910									2
11	WA110061L	WASHER-PLAIN	5310-99-122-6476	4	4	4	4	4	4	4	4	2
12	BYG5373	EXTENSION PLATE-SEDIMENTOR-RH										1
13	NY110041L	NUT-NYLOC	5310-99-122-5497									2
14	FN110041	NUT	5310-66-098-4403	4	4	4	4	4	4	4	4	2
15	WL110001L	WASHER-LOCK	5310-99-138-9228	4	4	4	4	4	4	4	4	2
16	BYG2114	GUARD-SEDIMENTOR-RH										1
17	R517689	PLUG	5365-99-801-4379	4	4	4	4	4	4	4	4	4
18	R517706	WASHER-SEALING	5365-99-801-4380	4	4	4	4	4	4	4	4	4
19	ISS											
20	NSS											
21	R605011	WASHER	5310-99-801-7687	2	2	2	2	2	2	2	2	2
22	37H7920	PLUG	4730-99-801-7686	2	2	2	2	2	2	2	2	2
23	FS110301	SCREW-SEDIMENTOR TO CHASSIS	5305-66-098-4283	4	4	4	4	4	4	4	4	
	FS110301	SCREW-SEDIMENTOR RH T CHASSIS	5305-66-098-4283									2
	SH110351L	SCREW-SEDIMENTOR LH T CHASSIS										2

CHANGE POINT

ARN INTRODUCTION

Aug 1995

GROUP DC



FUEL FILTER ASSEMBLY

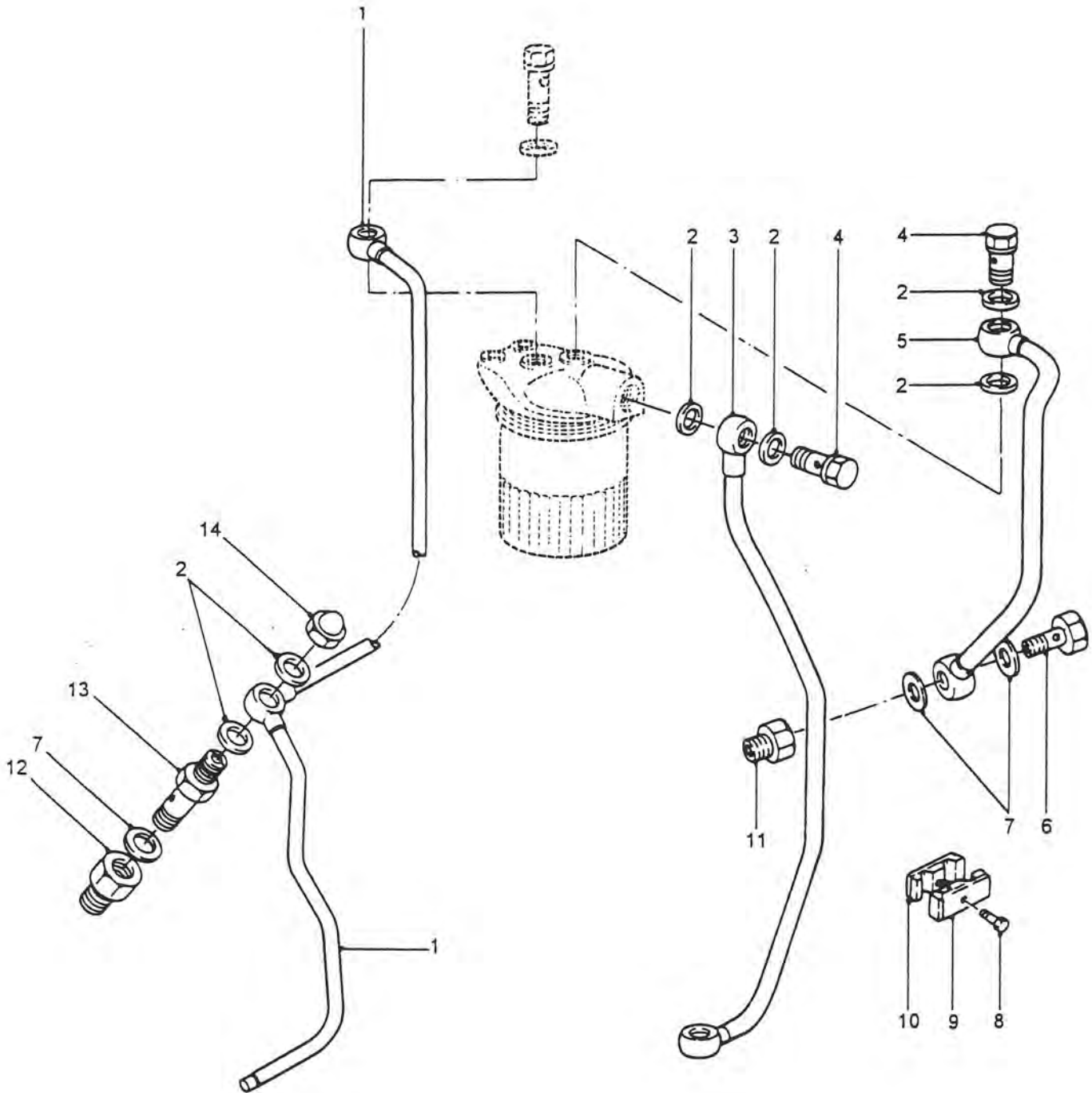
PERENTIE LAND ROVER PARTS LIST

<u>ITEM</u>	<u>PART NO.</u>	<u>DESCRIPTION</u>	<u>NSN</u>	<u>DERIVATIVE CODE</u>								
				<u>2185</u>	<u>2186</u>	<u>2208</u>	<u>2209</u>	<u>2210</u>	<u>2211</u>	<u>2212</u>	<u>2219</u>	<u>CP</u>
1	8944147952	FILTER ASSEMBLY-FUEL		1	1	1	1	1	1	1	1	1
2	1132600360	VALVE		1	1	1	1	1	1	1	1	1
3	9095720140	WASHER-SEALING	5310-66-128-4439	2	2	2	2	2	2	2	2	2
4	5132120751	HEAD-FILTER	2910-66-128-5530	1	1	1	1	1	1	1	1	1
5	8941329471	FILTER ELEMENT-FUEL	2910-66-128-5531	1	1	1	1	1	1	1	1	1
6	9019710300	BOLT-ADJUSTING PLATE	5306-66-128-5532	2	2	2	2	2	2	2	2	2

CHANGE POINT

ARN INTRODUCTION

GROUP DCA



FUEL FILTER LINES

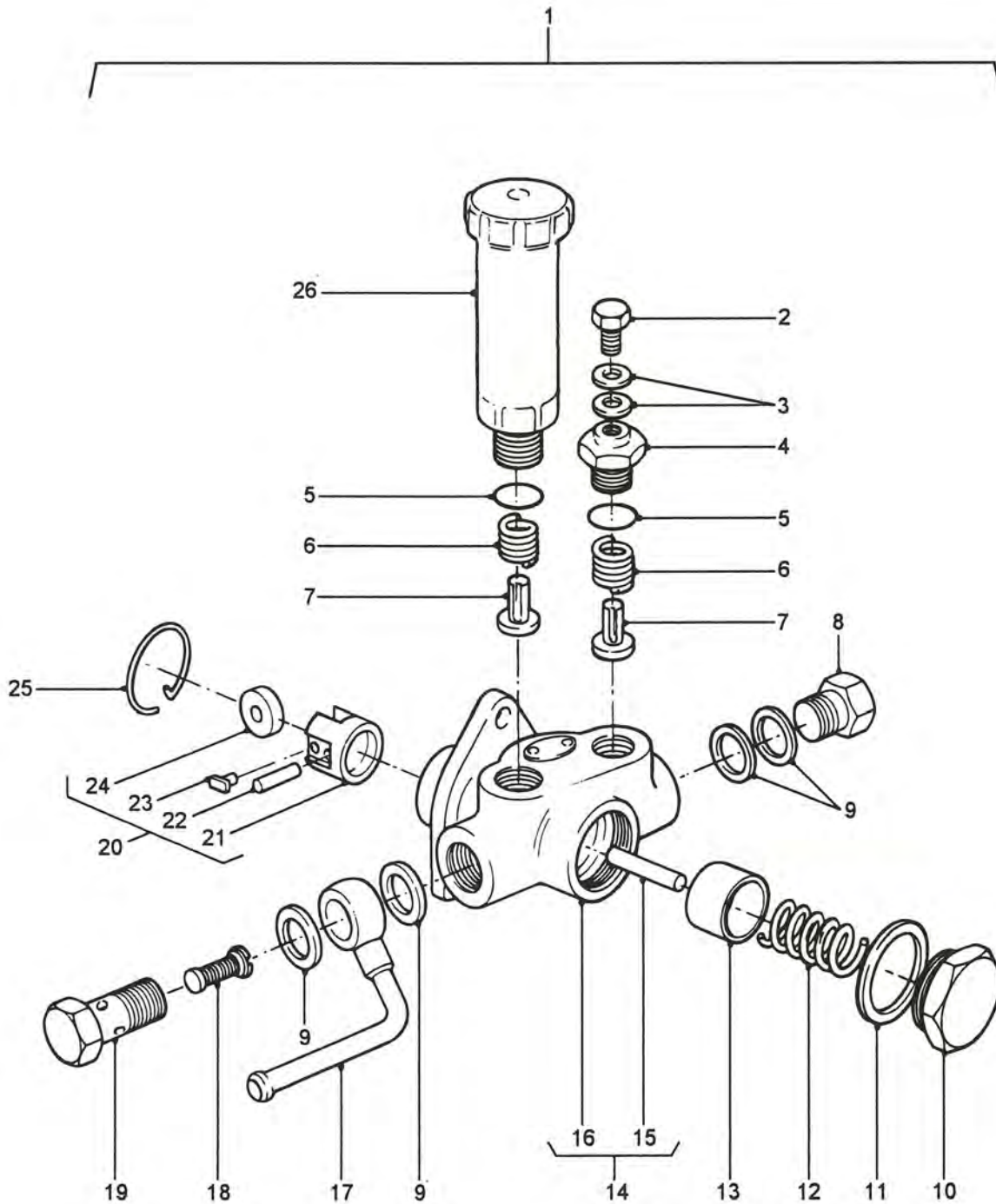
PERENTIE LAND ROVER PARTS LIST

<u>ITEM</u>	<u>PART NO.</u>	<u>DESCRIPTION</u>	<u>NSN</u>	<u>DERIVATIVE CODE</u>								<u>CP</u>
				<u>2185</u>	<u>2186</u>	<u>2208</u>	<u>2209</u>	<u>2210</u>	<u>2211</u>	<u>2212</u>	<u>2219</u>	
1	8941329281	PIPE-FUEL-SPILL RETURN	4710-66-128-5533	1	1	1	1	1	1	1	1	1
2	9095720140	WASHER-SEALING	5310-66-128-4439	8	8	8	8	8	8	8	8	8
3	8944100310	PIPE-FUEL-INLET-FROM PRIMER PUMP	4710-66-128-5534	1	1	1	1	1	1	1	1	1
4	1096751460	BOLT	4730-66-128-4584	2	2	2	2	2	2	2	2	2
5	8941097300	PIPE ASSY-OUTLET TO INJECTION PUMP	4710-66-128-5535	1	1	1	1	1	1	1	1	1
6	1156190820	BOLT-FLUID PASSAGE	4730-66-128-4829	1	1	1	1	1	1	1	1	1
7	1157590010	GASKET	5330-01-226-8690	3	3	3	3	3	3	3	3	3
8	9019006250	BOLT-CLIP	5306-66-128-4831	2	2	2	2	2	2	2	2	2
9	9097161140	CLIP	5340-66-128-4833	1	1	1	1	1	1	1	1	1
	8941075000	CLIP		1	1	1	1	1	1	1	1	1
10	9097161240	CLIP	5340-66-128-4834	1	1	1	1	1	1	1	1	1
	8941003600	CLIP		1	1	1	1	1	1	1	1	1
11	9812350170	ADAPTOR-PUMP	4730-66-128-4832	1	1	1	1	1	1	1	1	1
12	5156190440	ADAPTOR-PUMP	4730-66-128-4830	1	1	1	1	1	1	1	1	1
13	5156410140	VALVE	4820-66-128-4884	1	1	1	1	1	1	1	1	1
14	1094680021	NUT CAP	5310-66-128-4583	1	1	1	1	1	1	1	1	1

CHANGE POINT

ARN INTRODUCTION

GROUP DD



FUEL TRANSFER PUMP AND HAND PRIMER

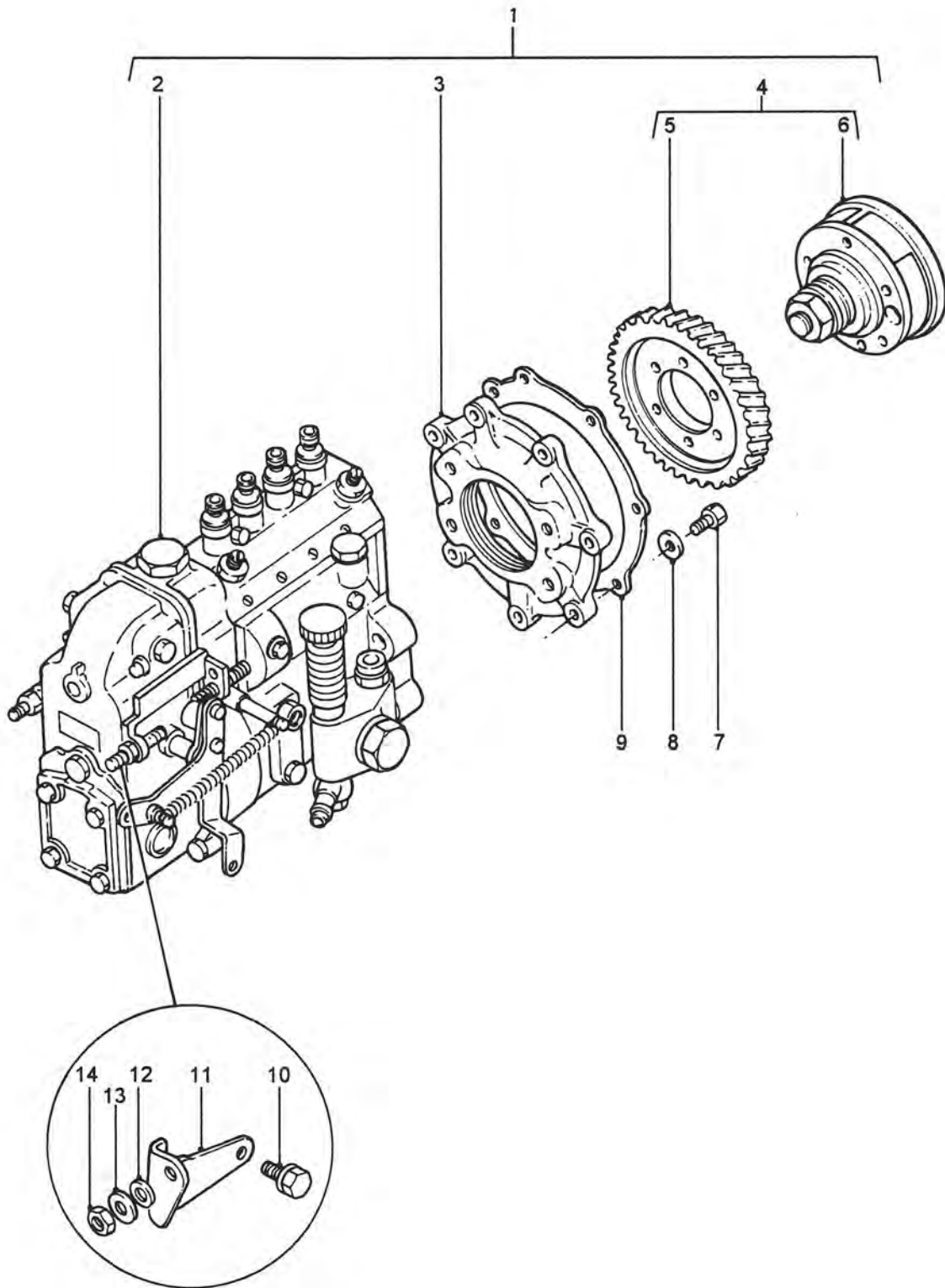
PERENTIE LAND ROVER PARTS LIST

DD	/1/1	FUEL TRANSFER PUMP AND HAND PRIMER		DERIVATIVE CODE								
				2185	2186	2208	2209	2210	2211	2212	2219	CP
ITEM	PART NO.	DESCRIPTION	NSN									
1	8941310130	PUMP ASSY-PRIMING	2910-66-128-5536	1	1	1	1	1	1	1	1	1
2	1156190820	BOLT-FLUID PASSAGE	4730-66-128-4829	1	1	1	1	1	1	1	1	1
3	1157590010	GASKET	5330-01-226-8690	2	2	2	2	2	2	2	2	2
4	1157590030	ADAPTOR		1	1	1	1	1	1	1	1	1
5	1096230160	PACKING	5330-66-128-4526	2	2	2	2	2	2	2	2	2
6	9813517020	SPRING		2	2	2	2	2	2	2	2	2
7	9813516020	VALVE		2	2	2	2	2	2	2	2	2
8	1157590040	PLUG		1	1	1	1	1	1	1	1	1
9	1157590010	GASKET	5330-01-226-8690	4	4	4	4	4	4	4	4	4
10	8941711850	PLUG		1	1	1	1	1	1	1	1	1
11	9813550350	GASKET		1	1	1	1	1	1	1	1	1
12	9813513020	SPRING		1	1	1	1	1	1	1	1	1
13	9813512050	PISTON		1	1	1	1	1	1	1	1	1
14	8941711840	HOUSING & PIN ASSY		1	1	1	1	1	1	1	1	1
15	NSS											
16	NSS											
17	8941711880	PIPE		1	1	1	1	1	1	1	1	1
18	NSS											
19	5157590270	BOLT- FLUID PASSAGE (INCL ITEM 18)	4730-66-128-4528	1	1	1	1	1	1	1	1	1
20	5157540010	TAPPET ASSY (INCL ITEMS 21-24)		1	1	1	1	1	1	1	1	1
21	NSS											
22	9813514100	PIN		1	1	1	1	1	1	1	1	1
23	1157590020	GUIDE		2	2	2	2	2	2	2	2	2
24	9813514030	ROLLER		1	1	1	1	1	1	1	1	1
25	9813550250	RING-SNAP		1	1	1	1	1	1	1	1	1
26	1157610060	PUMP ASSY-PRIMER	2910-66-128-4537	1	1	1	1	1	1	1	1	1

CHANGE POINT

ARN INTRODUCTION

GROUP DE



FUEL INJECTION PUMP

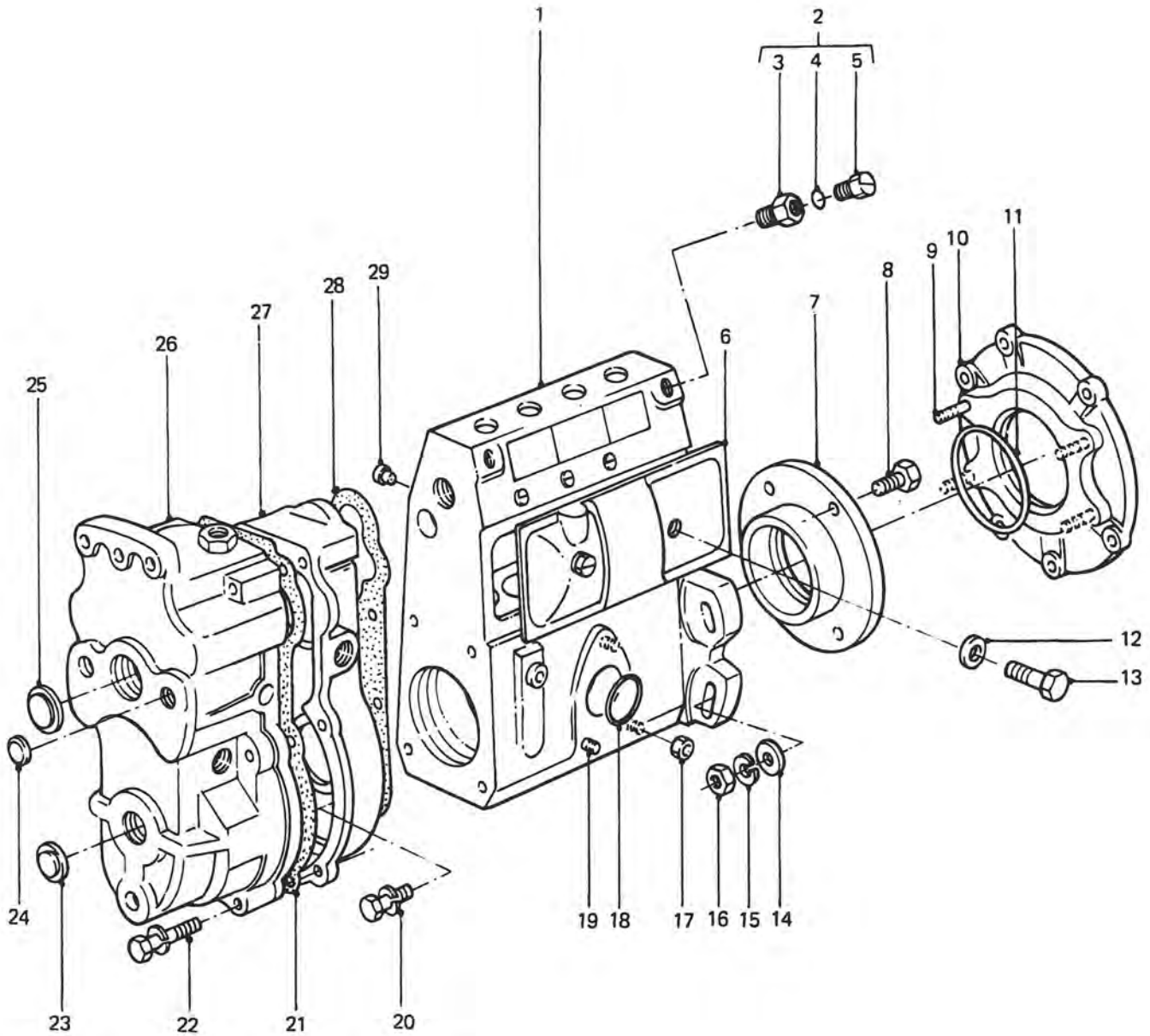
PERENTIE LAND ROVER PARTS LIST

ITEM	DE /1/1 PART NO.	FUEL INJECTION PUMP DESCRIPTION	NSN	DERIVATIVE CODE								
				2185	2186	2208	2209	2210	2211	2212	2219	CP
1	8943263400	PUMP-FUEL METERING & DISTRIBUTING	2910-66-128-5537	1	1	1	1	1	1	1	1	1
2	NSS											
3	5197510500	BRACKET		1	1	1	1	1	1	1	1	1
4	8944154060	TIMER ASSEMBLY		1	1	1	1	1	1	1	1	1
5	5125240450	GEAR		1	1	1	1	1	1	1	1	1
6	NSS											
7	5090000840	BOLT-SPECIAL	5306-66-128-4453	6	6	6	6	6	6	6	6	6
	0280208220	BOLT		7	7	7	7	7	7	7	7	7
8	9095720080	WASHER-SEALING	5330-66-128-4397	7	7	7	7	7	7	7	7	7
9	8943210150	GASKET-INJECTION PUMP TO TIMING CASE	5330-66-128-4492	1	1	1	1	1	1	1	1	1
10	9019110200	BOLT	5306-66-128-4438	2	2	2	2	2	2	2	2	2
11	5197510710	BRACKET		1	1	1	1	1	1	1	1	1
12	9091646100	WASHER		1	1	1	1	1	1	1	1	1
13	089151401A	WASHER-LOCK	5310-66-128-4424	1	1	1	1	1	1	1	1	1
14	9091105100	NUT	5310-66-128-4520	1	1	1	1	1	1	1	1	1

CHANGE POINT

ARN INTRODUCTION

GROUP DEA

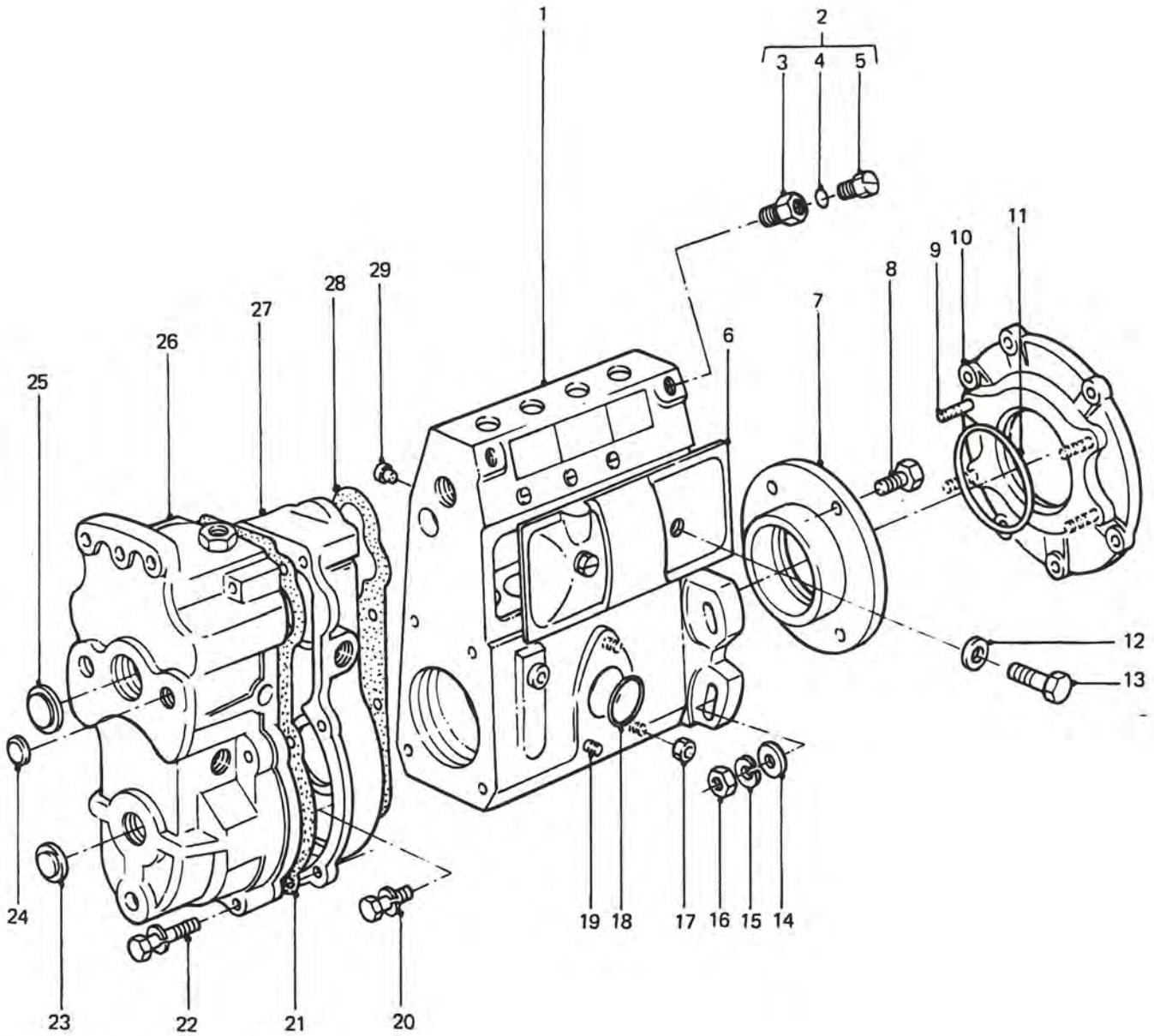


**FUEL INJECTION PUMP HOUSING, COVER,
PLUGS AND SEALS**

PERENTIE LAND ROVER PARTS LIST

ITEM	PART NO.	DESCRIPTION	NSN	DERIVATIVE CODE							
				2185	2186	2208	2209	2210	2211	2212	2219
DEA /1/1	FUEL INJECTION PUMP HOUSING, COVER, PLUGS & SEALS										
1	8941711080	HOUSING		1	1	1	1	1	1	1	1
2	1156190240	SCREW (INCL ITEMS 3-5)	5305-66-128-4533	1	1	1	1	1	1	1	1
3	NSS										
4	NSS										
5	NSS										
6	8941711090	COVER		1	1	1	1	1	1	1	1
7	1156192430	COVER		1	1	1	1	1	1	1	1
8	9019006140	BOLT		4	4	4	4	4	4	4	4
9	9044010300	STUD		4	4	4	4	4	4	4	4
10	5197510500	BRACKET		1	1	1	1	1	1	1	1
11	5156191560	'O' RING		1	1	1	1	1	1	1	1
12	9812151440	GASKET		2	2	2	2	2	2	2	2
13	1156190030	SCREW		2	2	2	2	2	2	2	2
14	9091606100	WASHER-PLAIN	5310-66-128-4534	4	4	4	4	4	4	4	4
15	9091505100	WASHER-LOCK	5310-66-128-4424	4	4	4	4	4	4	4	4
16	5156390020	NUT-PLAIN	5310-66-128-4535	4	4	4	4	4	4	4	4
17	8941711100	NUT		3	3	3	3	3	3	3	3
18	1096230130	PACKING	5330-66-128-4540	1	1	1	1	1	1	1	1
19	9812151150	STUD		3	3	3	3	3	3	3	3
20	9019008180	BOLT		1	1	1	1	1	1	1	1
	5157290270	BOLT		5	5	5	5	5	5	5	5
21	1157298040	GASKET		1	1	1	1	1	1	1	1
22	5757290330	BOLT		7	7	7	7	7	7	7	7
23	8941711450	PLUG		1	1	1	1	1	1	1	1
24	5157290760	PLUG		1	1	1	1	1	1	1	1
25	8941711480	PLUG		1	1	1	1	1	1	1	1
26	8944137250	COVER		1	1	1	1	1	1	1	1
27	1157212030	HOUSING		1	1	1	1	1	1	1	1
28	5157290001	GASKET		1	1	1	1	1	1	1	1

GROUP DEA



**FUEL INJECTION PUMP HOUSING, COVER,
PLUGS AND SEALS**

PERENTIE LAND ROVER PARTS LIST

DEA /1/1 FUEL INJECTION PUMP HOUSING, COVER, PLUGS & SEALS

DERIVATIVE CODE

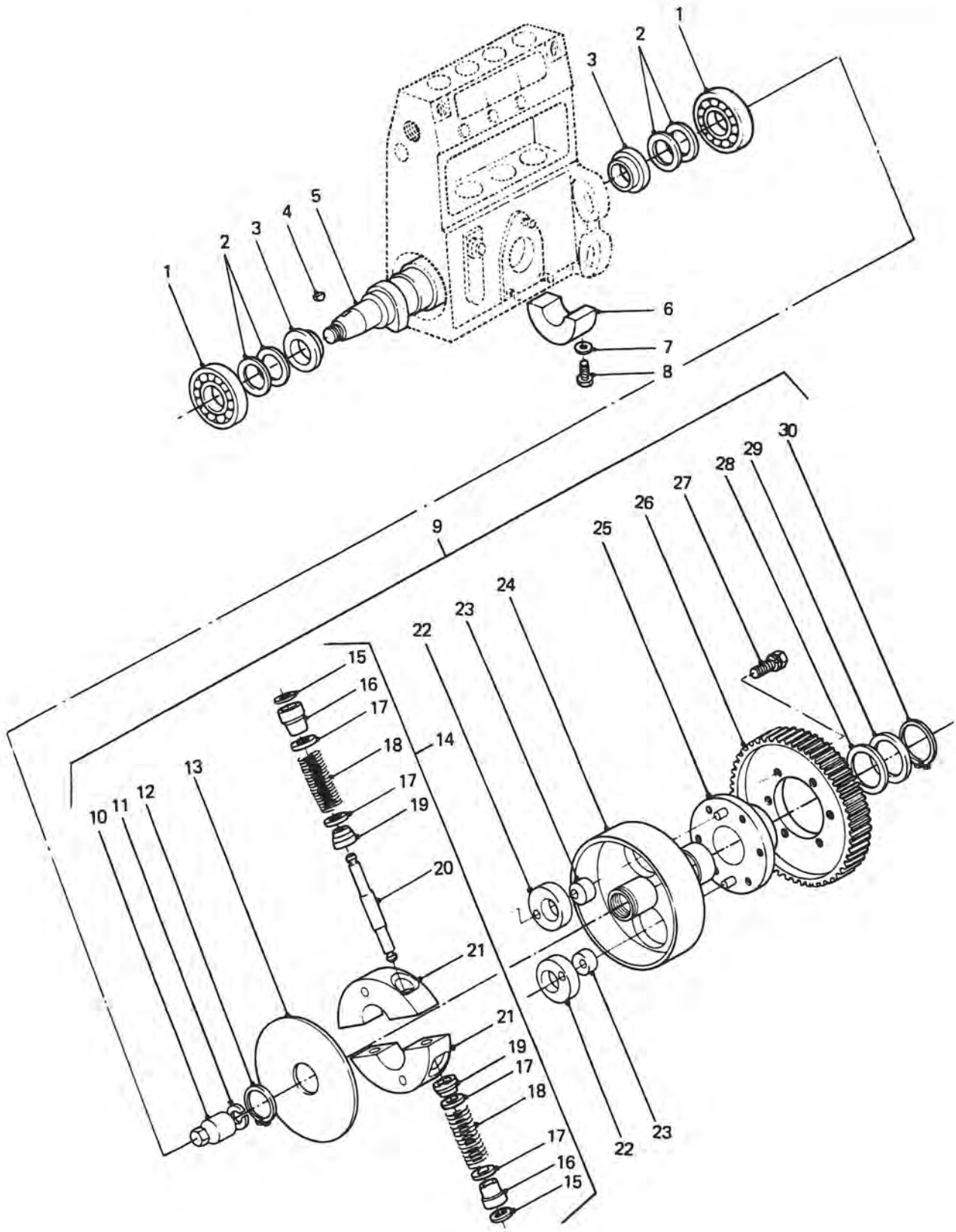
<u>ITEM</u>	<u>PART NO.</u>	<u>DESCRIPTION</u>	<u>NSN</u>	<u>2185</u>	<u>2186</u>	<u>2208</u>	<u>2209</u>	<u>2210</u>	<u>2211</u>	<u>2212</u>	<u>2219</u>	<u>CP</u>
29	1156390030	SCREW		1	1	1	1	1	1	1	1	1

CHANGE POINT

ARN INTRODUCTION



GROUP DEB



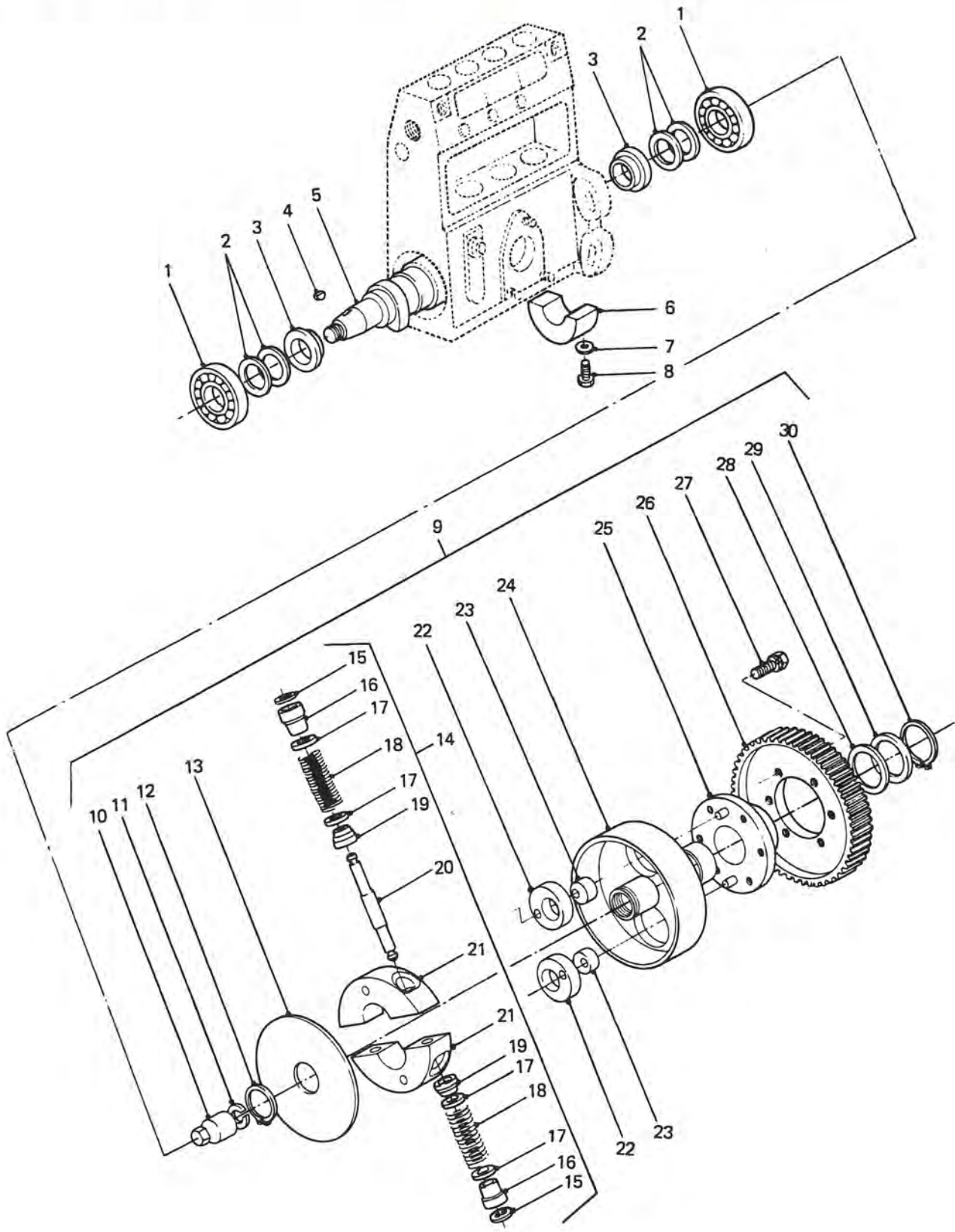
**CAMSHAFT, BEARINGS AND AUTOMATIC
TIMER**

PERENTIE LAND ROVER PARTS LIST

DEB /1/1 CAMSHAFT, BEARINGS AND AUTOMATIC TIMER

ITEM	PART NO.	DESCRIPTION	NSN	DERIVATIVE CODE							
				2185	2186	2208	2209	2210	2211	2212	2219 CP
1	9000906770	BEARING-CAMSHAFT-REAR		2	2	2	2	2	2	2	2
2	5156290150	SHIM - 0.10MM		1	1	1	1	1	1	1	1
	5156290160	SHIM - 0.12MM		1	1	1	1	1	1	1	1
	5156290170	SHIM - 0.14MM		1	1	1	1	1	1	1	1
	5156290180	SHIM - 0.16MM		1	1	1	1	1	1	1	1
	5156290190	SHIM - 0.18MM		1	1	1	1	1	1	1	1
	5156290210	SHIM - 0.30MM		1	1	1	1	1	1	1	1
	5156290200	SHIM - 0.50MM		1	1	1	1	1	1	1	1
	5156190390	SHIM - 0.70MM		1	1	1	1	1	1	1	1
	5156190380	SHIM - 1.00MM		1	1	1	1	1	1	1	1
	5156190900	SHIM - 1.40MM		1	1	1	1	1	1	1	1
3	9812250470	RING-STEEL-22MM O.D.		2	2	2	2	2	2	2	2
4	5156190490	KEY-WOODRUFF-STEEL-3MM		1	1	1	1	1	1	1	1
5	8941711150	CAMSHAFT		1	1	1	1	1	1	1	1
6	1156190330	BEARING-CENTRE		2	2	2	2	2	2	2	2
7	9812250430	GASKET		4	4	4	4	4	4	4	4
8	9884100660	SCREW		4	4	4	4	4	4	4	4
9	8944154060	TIMER ASSY (INCL ITEMS 10-30)		1	1	1	1	1	1	1	1
10	5157490330	NUT		1	1	1	1	1	1	1	1
11	5157490320	WASHER-LOCK		1	1	1	1	1	1	1	1
12	8941327770	RING-SNAP		1	1	1	1	1	1	1	1
13	8941327740	SHIM - 1.9MM		1	1	1	1	1	1	1	1
	8941327750	SHIM - 2.0MM		1	1	1	1	1	1	1	1
	8941327760	SHIM - 2.1MM		1	1	1	1	1	1	1	1
14	8944137440	FLYWEIGHT ASSY (INCL ITEMS 15-21)		1	1	1	1	1	1	1	1
15	1157491350	RING-SNAP		4	4	4	4	4	4	4	4
16	1157491340	SEAT-SPRING		4	4	4	4	4	4	4	4

GROUP DEB



CAMSHAFT, BEARINGS AND AUTOMATIC TIMER

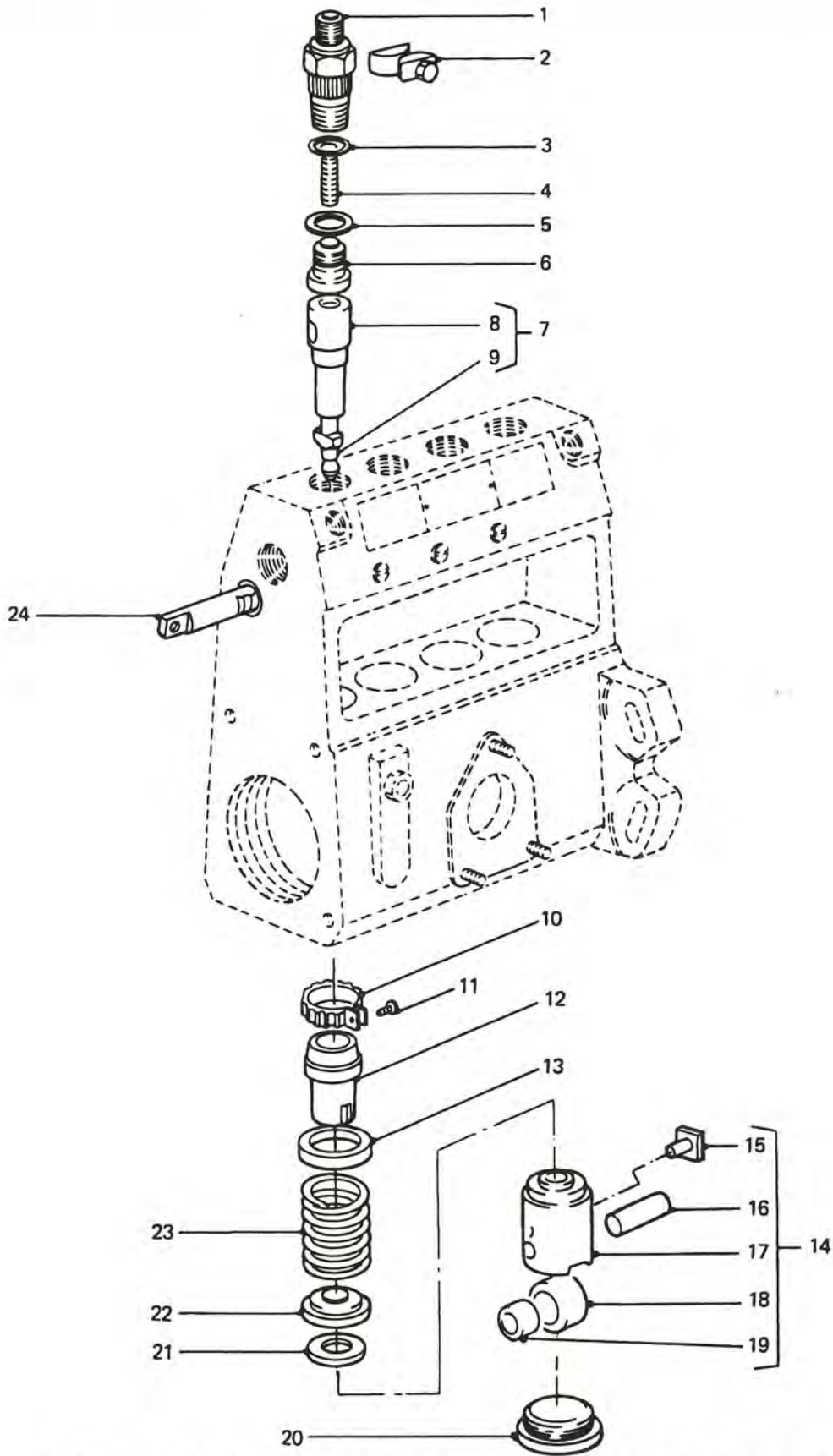
PERENTIE LAND ROVER PARTS LIST

DEB /1/1		CAMSHAFT, BEARINGS AND AUTOMATIC TIMER						DERIVATIVE CODE				
ITEM	PART NO.	DESCRIPTION	NSN	2185	2186	2208	2209	2210	2211	2212	2219	CP
17	8941327500	SHIM - 0.1MM		1	1	1	1	1	1	1	1	1
	8941327510	SHIM - 0.2MM		1	1	1	1	1	1	1	1	1
	8941327520	SHIM - 0.3MM		1	1	1	1	1	1	1	1	1
	8941327530	SHIM - 0.4MM		1	1	1	1	1	1	1	1	1
	8941327540	SHIM - 0.5MM		1	1	1	1	1	1	1	1	1
	8941327550	SHIM - 0.6MM		1	1	1	1	1	1	1	1	1
	8941327560	SHIM - 0.7MM		1	1	1	1	1	1	1	1	1
	8941327570	SHIM - 0.8MM		1	1	1	1	1	1	1	1	1
	8941327580	SHIM - 0.9MM		1	1	1	1	1	1	1	1	1
	1157491500	SHIM - 1.0MM		1	1	1	1	1	1	1	1	1
18	8944137460	SPRING		4	4	4	4	4	4	4	4	4
19	8941327630	SEAT-SPRING		4	4	4	4	4	4	4	4	4
20	8941327490	PIN-PILOT		2	2	2	2	2	2	2	2	2
21	8944137450	FLYWEIGHT		2	2	2	2	2	2	2	2	2
22	8941722680	CAM		2	2	2	2	2	2	2	2	2
23	8941722690	CAM		2	2	2	2	2	2	2	2	2
24	8944137410	FLANGE		1	1	1	1	1	1	1	1	1
25	8941327640	FLANGE		1	1	1	1	1	1	1	1	1
26	5125240450	GEAR		1	1	1	1	1	1	1	1	1
27	5157490080	BOLT / SPRING WASHER		6	6	6	6	6	6	6	6	6
28	8941327660	SHIM - 0.10MM		1	1	1	1	1	1	1	1	1
	3941327670	SHIM - 0.12MM		1	1	1	1	1	1	1	1	1
	8941327680	SHIM - 0.14MM		1	1	1	1	1	1	1	1	1
	8941327690	SHIM - 0.16MM		1	1	1	1	1	1	1	1	1
	8941327700	SHIM - 0.18MM		1	1	1	1	1	1	1	1	1
	8941327710	SHIM - 0.20MM		1	1	1	1	1	1	1	1	1
	8941327720	SHIM - 0.3MM		1	1	1	1	1	1	1	1	1
29	8941327650	SHIM		1	1	1	1	1	1	1	1	1
30	8941327730	RING-SNAP		1	1	1	1	1	1	1	1	1

CHANGE POINT

ARN INTRODUCTION

GROUP DEC

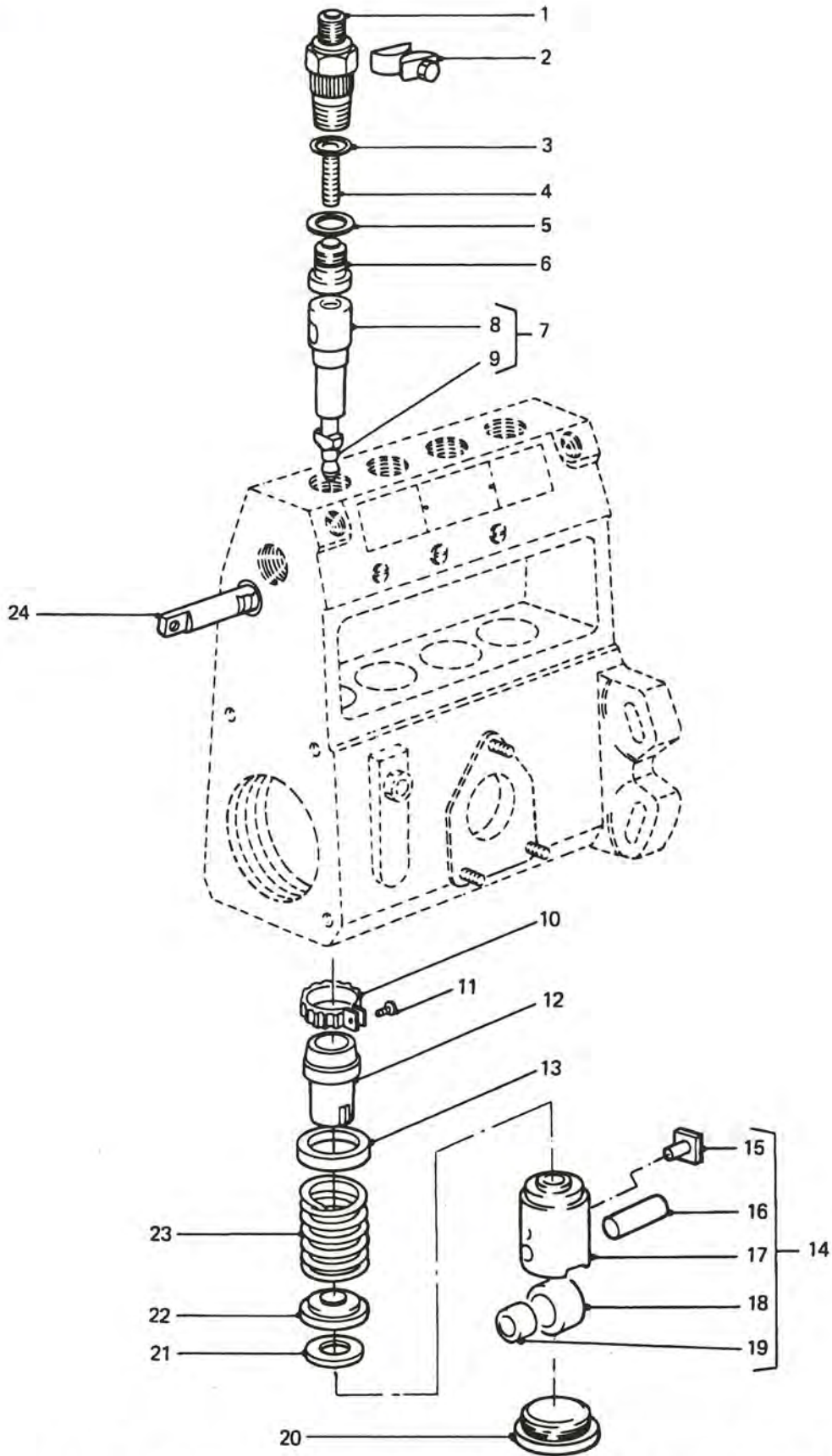


TAPPET, BARREL AND PLUNGER

PERENTIE LAND ROVER PARTS LIST

ITEM	PART NO.	DESCRIPTION	NSN	DERIVATIVE CODE									
				2185	2186	2208	2209	2210	2211	2212	2219	CP	
DEC /1/1 TAPPET, BARREL AND PLUNGER													
1	5156440170	HOLDER-DELIVERY VALVE		4	4	4	4	4	4	4	4	4	
2	5156250010	PLATE-SECURING		2	2	2	2	2	2	2	2	2	
3	5156290450	STOPPER		4	4	4	4	4	4	4	4	4	
	1096230520	'O' RING		1	1	1	1	1	1	1	1	1	
4	5156430010	SPRING-STEEL		4	4	4	4	4	4	4	4	4	
5	1156490010	GASKET-COPPER		4	4	4	4	4	4	4	4	4	
6	5156410120	VALVE ASSY-DELIVERY		4	4	4	4	4	4	4	4	4	
7	8944137230	PLUNGER ASSY (INCL ITEMS 8 & 9)		4	4	4	4	4	4	4	4	4	
8	NSS												
9	NSS												
10	9812250570	PINION		4	4	4	4	4	4	4	4	4	
11	9812350030	SCREW		4	4	4	4	4	4	4	4	4	
12	9812250580	SLEEVE-CONTROL		4	4	4	4	4	4	4	4	4	
13	9812350150	SEAT-SPRINGS		4	4	4	4	4	4	4	4	4	
14	8941711110	TAPPET ASSY (INCL ITEMS 15-19)		4	4	4	4	4	4	4	4	4	
15	5156190410	GUIDE		4	4	4	4	4	4	4	4	4	
16	9812212200	PIN		4	4	4	4	4	4	4	4	4	
17	NSS												
18	1156220030	ROLLER-STEEL		4	4	4	4	4	4	4	4	4	
19	1156290010	BUSH-STEEL		4	4	4	4	4	4	4	4	4	
20	5156191360	PLUG		4	4	4	4	4	4	4	4	4	
21	5156190250	SHIM - 0.20MM		1	1	1	1	1	1	1	1	1	
	5156190260	SHIM - 0.25MM		1	1	1	1	1	1	1	1	1	
	5156190340	SHIM - 0.30MM		1	1	1	1	1	1	1	1	1	
	5156190270	SHIM - 0.35MM		1	1	1	1	1	1	1	1	1	
	5156190350	SHIM - 0.40MM		1	1	1	1	1	1	1	1	1	
	5156190370	SHIM - 0.45MM		1	1	1	1	1	1	1	1	1	
	5156190360	SHIM - 0.50MM		1	1	1	1	1	1	1	1	1	

GROUP DEC



TAPPET, BARREL AND PLUNGER

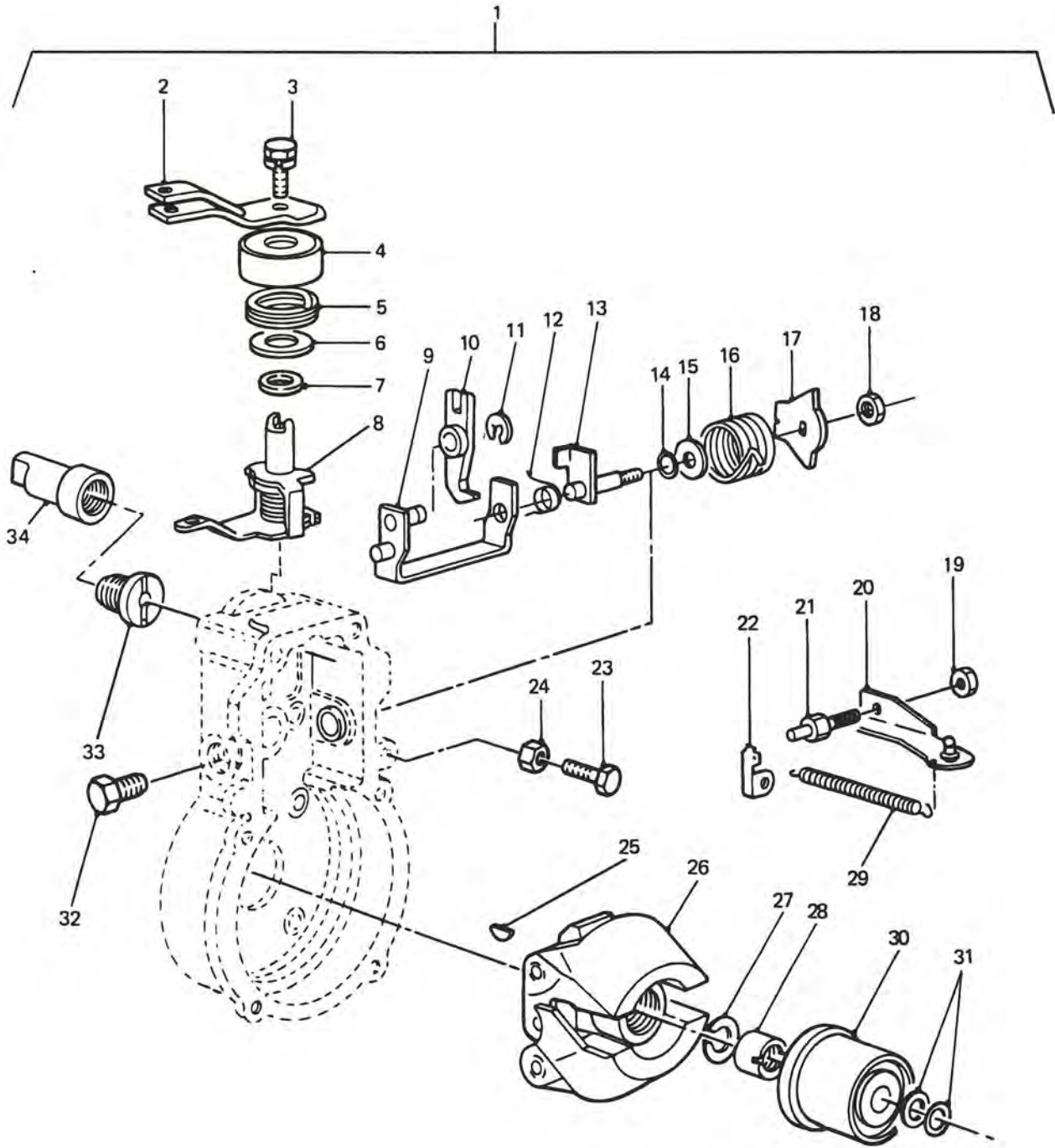
PERENTIE LAND ROVER PARTS LIST

<u>ITEM</u>	<u>PART NO.</u>	<u>DESCRIPTION</u>	<u>NSN</u>	<u>DERIVATIVE CODE</u>								
				<u>2185</u>	<u>2186</u>	<u>2208</u>	<u>2209</u>	<u>2210</u>	<u>2211</u>	<u>2212</u>	<u>2219</u>	<u>CP</u>
	5156190110	SHIM - 0.55MM		1	1	1	1	1	1	1	1	1
	5156190010	SHIM - 0.60MM		1	1	1	1	1	1	1	1	1
	5156190120	SHIM - 0.65MM		1	1	1	1	1	1	1	1	1
	5156190020	SHIM - 0.70MM		1	1	1	1	1	1	1	1	1
	5156190130	SHIM - 0.75MM		1	1	1	1	1	1	1	1	1
	5156190150	SHIM - 0.85MM		1	1	1	1	1	1	1	1	1
	5156190040	SHIM - 0.90MM		1	1	1	1	1	1	1	1	1
	9813250420	SHIM - 0.95MM		1	1	1	1	1	1	1	1	1
	5156090050	SHIM - 1.00MM		1	1	1	1	1	1	1	1	1
	9813250430	SHIM - 1.05MM		1	1	1	1	1	1	1	1	1
	5156190070	SHIM - 1.10MM		1	1	1	1	1	1	1	1	1
	9813250440	SHIM - 1.15MM		1	1	1	1	1	1	1	1	1
	5156190080	SHIM - 1.20MM		1	1	1	1	1	1	1	1	1
	9813250450	SHIM - 1.25MM		1	1	1	1	1	1	1	1	1
	5156190090	SHIM - 1.30MM		1	1	1	1	1	1	1	1	1
	5156191080	SHIM - 1.35MM		1	1	1	1	1	1	1	1	1
	5156190100	SHIM - 1.40MM		1	1	1	1	1	1	1	1	1
	5156191090	SHIM - 1.45MM		1	1	1	1	1	1	1	1	1
	5156191060	SHIM - 1.50MM		1	1	1	1	1	1	1	1	1
	5156191100	SHIM - 1.55MM		1	1	1	1	1	1	1	1	1
	5156191070	SHIM - 1.60MM		1	1	1	1	1	1	1	1	1
22	8941711120	SEAT-SPRING		4	4	4	4	4	4	4	4	4
23	5156430090	SPRING-PLUNGER		4	4	4	4	4	4	4	4	4
24	5156370020	RACK-CONTROL		1	1	1	1	1	1	1	1	1

CHANGE POINT

ARN INTRODUCTION

GROUP DED SHEET 1

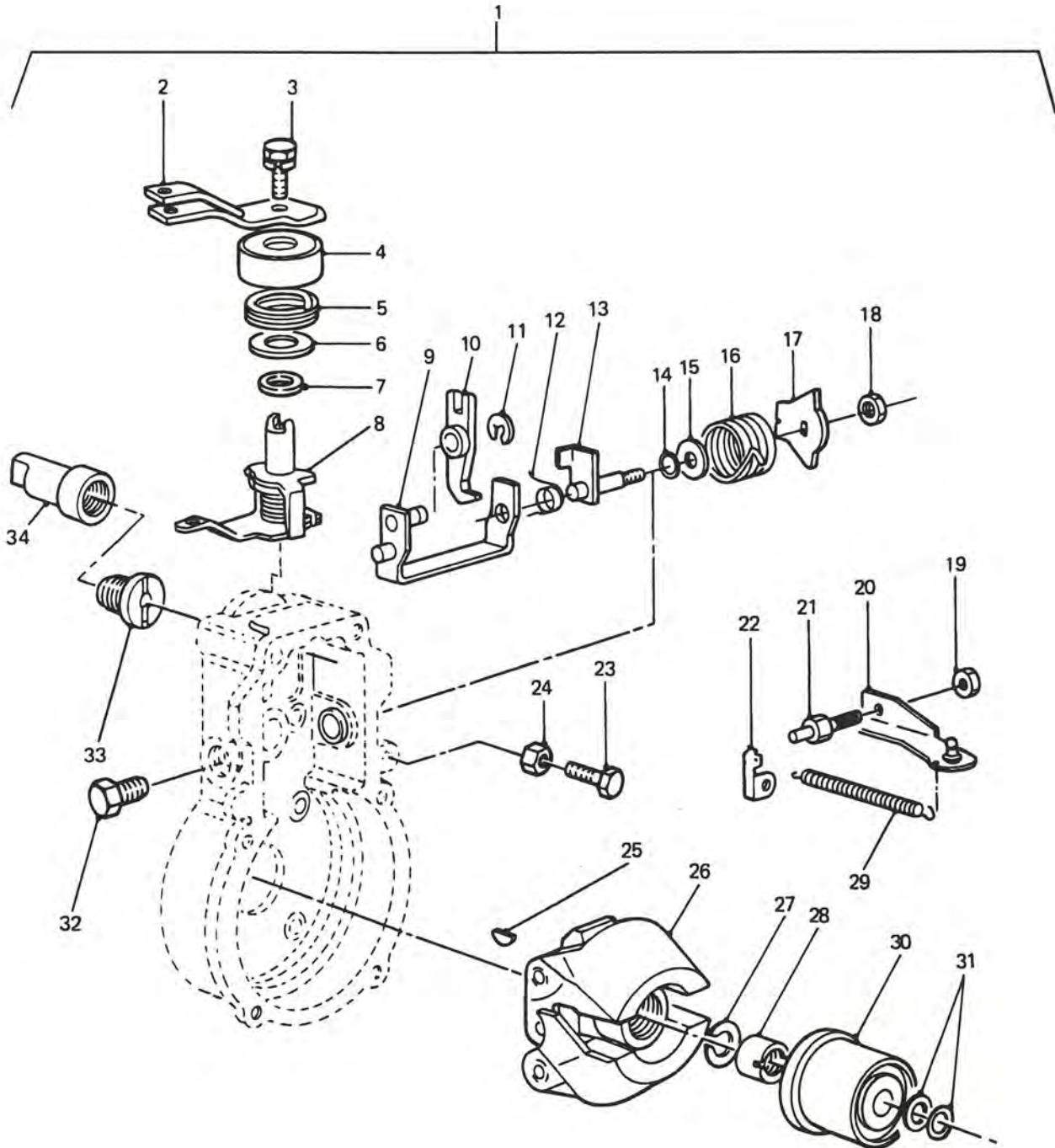


GOVERNOR ASSEMBLY

PERENTIE LAND ROVER PARTS LIST

ITEM	DED /1/1 PART NO.	GOVERNOR ASSEMBLY DESCRIPTION	NSN	DERIVATIVE CODE							
				2185	2186	2208	2209	2210	2211	2212	2219 CP
1	8943398890	GOVERNOR ASSY (INCL ITEMS 2-85)		1	1	1	1	1	1	1	1
2	8943399620	LEVER		1	1	1	1	1	1	1	1
3	9019006160	BOLT		1	1	1	1	1	1	1	1
4	8943369260	CAP		1	1	1	1	1	1	1	1
5	8943369250	SPRING		1	1	1	1	1	1	1	1
6	1157297000	SHIM - 0.20MM		1	1	1	1	1	1	1	1
	1157295640	SHIM - 0.30MM		1	1	1	1	1	1	1	1
	1157297010	SHIM - 0.40MM		1	1	1	1	1	1	1	1
	8943444230	SHIM - 0.60MM		1	1	1	1	1	1	1	1
7	9813919060	'O' RING		1	1	1	1	1	1	1	1
8	1157254790	LEVER		1	1	1	1	1	1	1	1
9	1157255270	LEVER		1	1	1	1	1	1	1	1
10	1157254950	LEVER		1	1	1	1	1	1	1	1
11	9813254450	RING-SNAP		1	1	1	1	1	1	1	1
12	5157230330	SPRING		1	1	1	1	1	1	1	1
13	1157298200	SHAFT		1	1	1	1	1	1	1	1
14	8941711290	'O' RING		1	1	1	1	1	1	1	1
15	9884104210	SHIM - 0.20MM		1	1	1	1	1	1	1	1
	9813255590	SHIM - 0.25MM		1	1	1	1	1	1	1	1
	9813255570	SHIM - 0.30MM		1	1	1	1	1	1	1	1
	9813255600	SHIM - 0.35MM		1	1	1	1	1	1	1	1
	9813255580	SHIM - 0.40MM		1	1	1	1	1	1	1	1
	9813255560	SHIM - 0.50MM		1	1	1	1	1	1	1	1
	1157298970	SHIM - 0.60MM		1	1	1	1	1	1	1	1
	1157298980	SHIM - 0.80MM		1	1	1	1	1	1	1	1
	1157298990	SHIM - 0.90MM		1	1	1	1	1	1	1	1
16	5157230320	SPRING-COIL		1	1	1	1	1	1	1	1
17	8941711320	LEVER		1	1	1	1	1	1	1	1
18	1157292360	NUT		1	1	1	1	1	1	1	1

GROUP DED SHEET 1



GOVERNOR ASSEMBLY

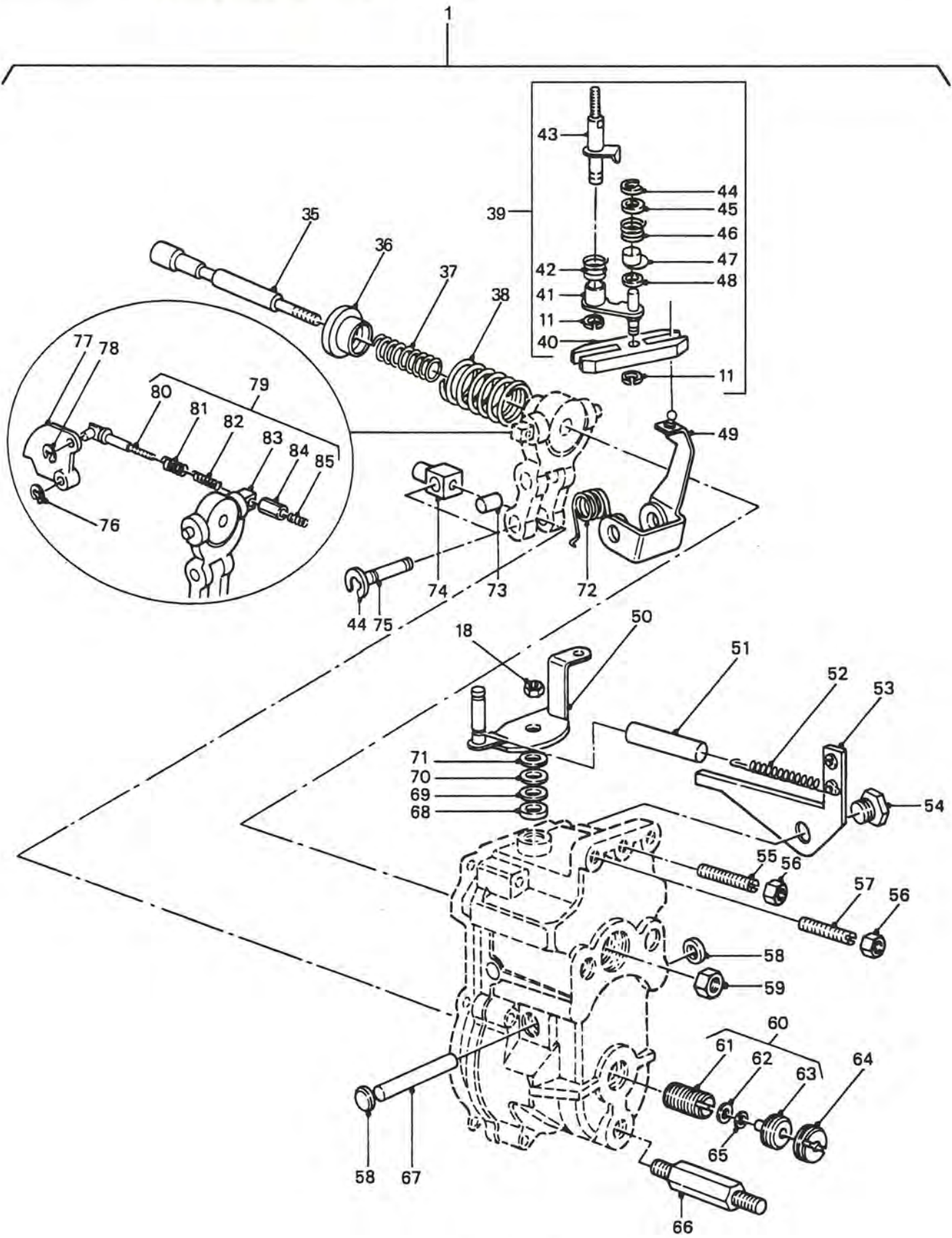
PERENTIE LAND ROVER PARTS LIST

ITEM	PART NO.	DESCRIPTION	NSN	DERIVATIVE CODE								
				2185	2186	2208	2209	2210	2211	2212	2219	CP
19	1157290500	NUT		1	1	1	1	1	1	1	1	1
20	1157254830	LINK		1	1	1	1	1	1	1	1	1
21	1157297970	BOLT		1	1	1	1	1	1	1	1	1
22	1157297950	PLATE		1	1	1	1	1	1	1	1	1
23	1157298430	SCREW - 32MM LONG		1	1	1	1	1	1	1	1	1
	1157297990	SCREW - 33MM LONG		1	1	1	1	1	1	1	1	1
	1157298000	SCREW - 34MM LONG		1	1	1	1	1	1	1	1	1
	1157298010	SCREW - 35MM LONG		1	1	1	1	1	1	1	1	1
	1157298020	SCREW - 36MM LONG		1	1	1	1	1	1	1	1	1
	1157298030	SCREW - 37MM LONG		1	1	1	1	1	1	1	1	1
24	1157298070	NUT		1	1	1	1	1	1	1	1	1
25	5156190490	KEY-WOODRUFF		1	1	1	1	1	1	1	1	1
26	1157220140	FLYWEIGHT ASSY		1	1	1	1	1	1	1	1	1
27	5157290340	WASHER-LOCK		1	1	1	1	1	1	1	1	1
28	9813250860	NUT-HEX		1	1	1	1	1	1	1	1	1
29	1157232910	SPRING		1	1	1	1	1	1	1	1	1
30	5157293720	SLEEVE		1	1	1	1	1	1	1	1	1
31	9813250880	SHIM - 0.20MM		1	1	1	1	1	1	1	1	1
	9813255510	SHIM - 0.30MM		1	1	1	1	1	1	1	1	1
	9813255520	SHIM - 0.40MM		1	1	1	1	1	1	1	1	1
	9813255530	SHIM - 0.50MM		1	1	1	1	1	1	1	1	1
	9813255530	SHIM - 1.00MM		1	1	1	1	1	1	1	1	1
	5157292870	SHIM - 1.50MM		1	1	1	1	1	1	1	1	1
	1157298910	SHIM - 2.00MM		1	1	1	1	1	1	1	1	1
	1157298920	SHIM - 3.00MM		1	1	1	1	1	1	1	1	1
	1157298930	SHIM - 4.00MM		1	1	1	1	1	1	1	1	1
32	1157297960	PLUG		1	1	1	1	1	1	1	1	1
33	9813150650	ADAPTOR		1	1	1	1	1	1	1	1	1
34	9813254350	LIMITER		1	1	1	1	1	1	1	1	1

CHANGE POINT

ARN INTRODUCTION

GROUP DED SHEET 2

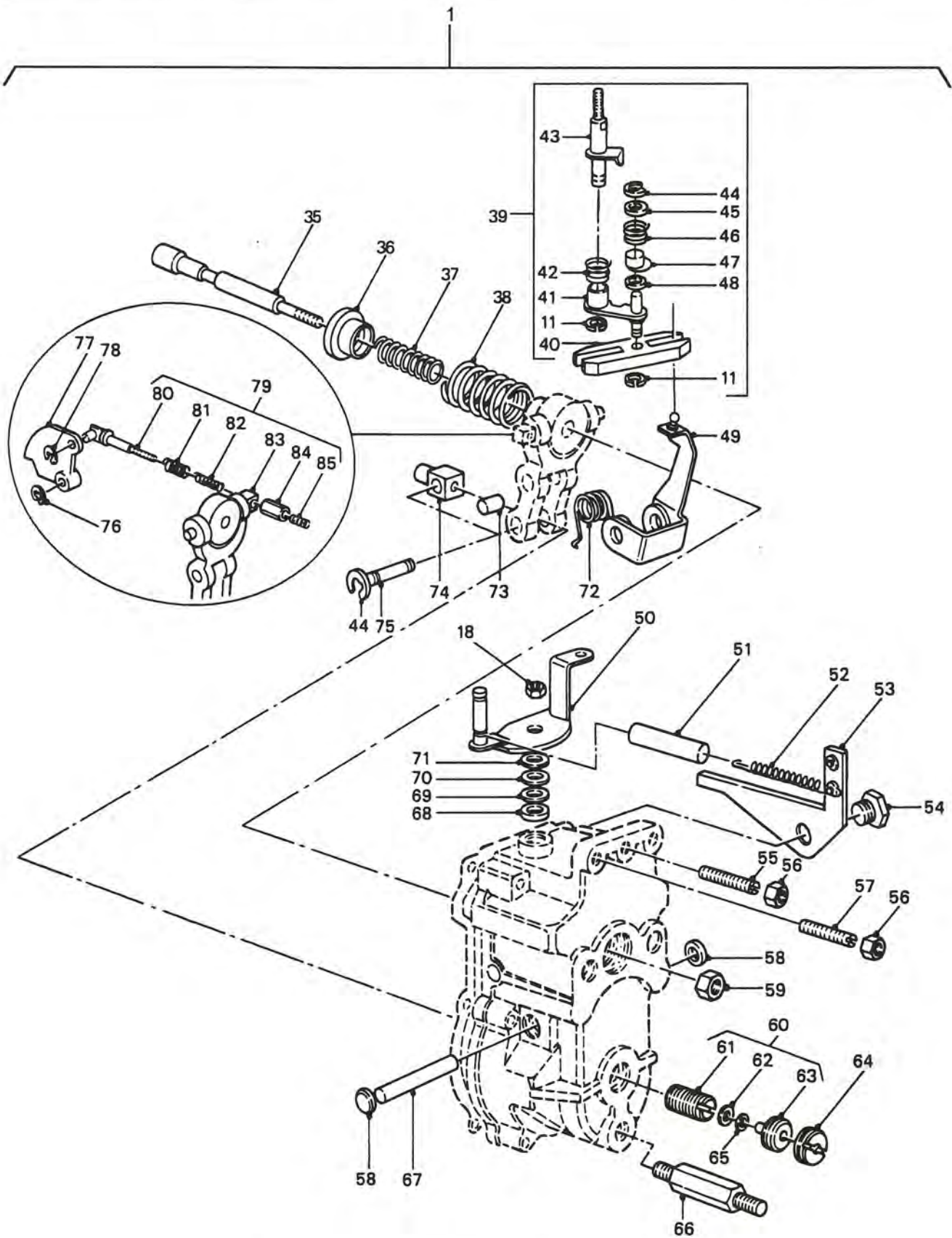


GOVERNOR ASSEMBLY

PERENTIE LAND ROVER PARTS LIST

ITEM	PART NO.	DESCRIPTION	NSN	DERIVATIVE CODE								
				2185	2186	2208	2209	2210	2211	2212	2219	CP
11	9813254450	RING-SNAP		2	2	2	2	2	2	2	2	2
18	1157292360	NUT		1	1	1	1	1	1	1	1	1
35	8941711460	SHAFT		1	1	1	1	1	1	1	1	1
36	8941711730	SEAT-SPRING		1	1	1	1	1	1	1	1	1
37	8944137320	SPRING		1	1	1	1	1	1	1	1	1
38	8944822090	SPRING		1	1	1	1	1	1	1	1	1
39	1157255340	LEVER ASSY (INCL ITEMS 11, 40 - 48)		1	1	1	1	1	1	1	1	1
40	1157255420	LEVER		1	1	1	1	1	1	1	1	1
41	1157254850	LEVER		1	1	1	1	1	1	1	1	1
42	8944137280	SPRING		1	1	1	1	1	1	1	1	1
43	1157298760	SHAFT		1	1	1	1	1	1	1	1	1
44	9884102010	RING-SNAP		2	2	2	2	2	2	2	2	2
45	9091605060	WASHER		1	1	1	1	1	1	1	1	1
46	1157232950	SPRING		1	1	1	1	1	1	1	1	1
47	1157254720	LEVER		1	1	1	1	1	1	1	1	1
48	1157295170	SHIM		1	1	1	1	1	1	1	1	1
49	8943399770	LEVER-GUIDE		1	1	1	1	1	1	1	1	1
50	8941711240	LEVER		1	1	1	1	1	1	1	1	1
51	5157290740	TUBE		2	2	2	2	2	2	2	2	2
52	8944182090	SPRING		2	2	2	2	2	2	2	2	2
53	8943399660	BRACKET		1	1	1	1	1	1	1	1	1
54	5157290960	SCREW		1	1	1	1	1	1	1	1	1
55	5157291230	SCREW		1	1	1	1	1	1	1	1	1
56	9813252370	NUT-LOCK		2	2	2	2	2	2	2	2	2
57	1157297610	SCREW		1	1	1	1	1	1	1	1	1
58	5157290760	PLUG		2	2	2	2	2	2	2	2	2
59	8941711490	NUT		1	1	1	1	1	1	1	1	1
60	8944822100	SPRING ASSY-TENSION (INCL ITEMS 61 - 63)		1	1	1	1	1	1	1	1	1

GROUP DED SHEET 2

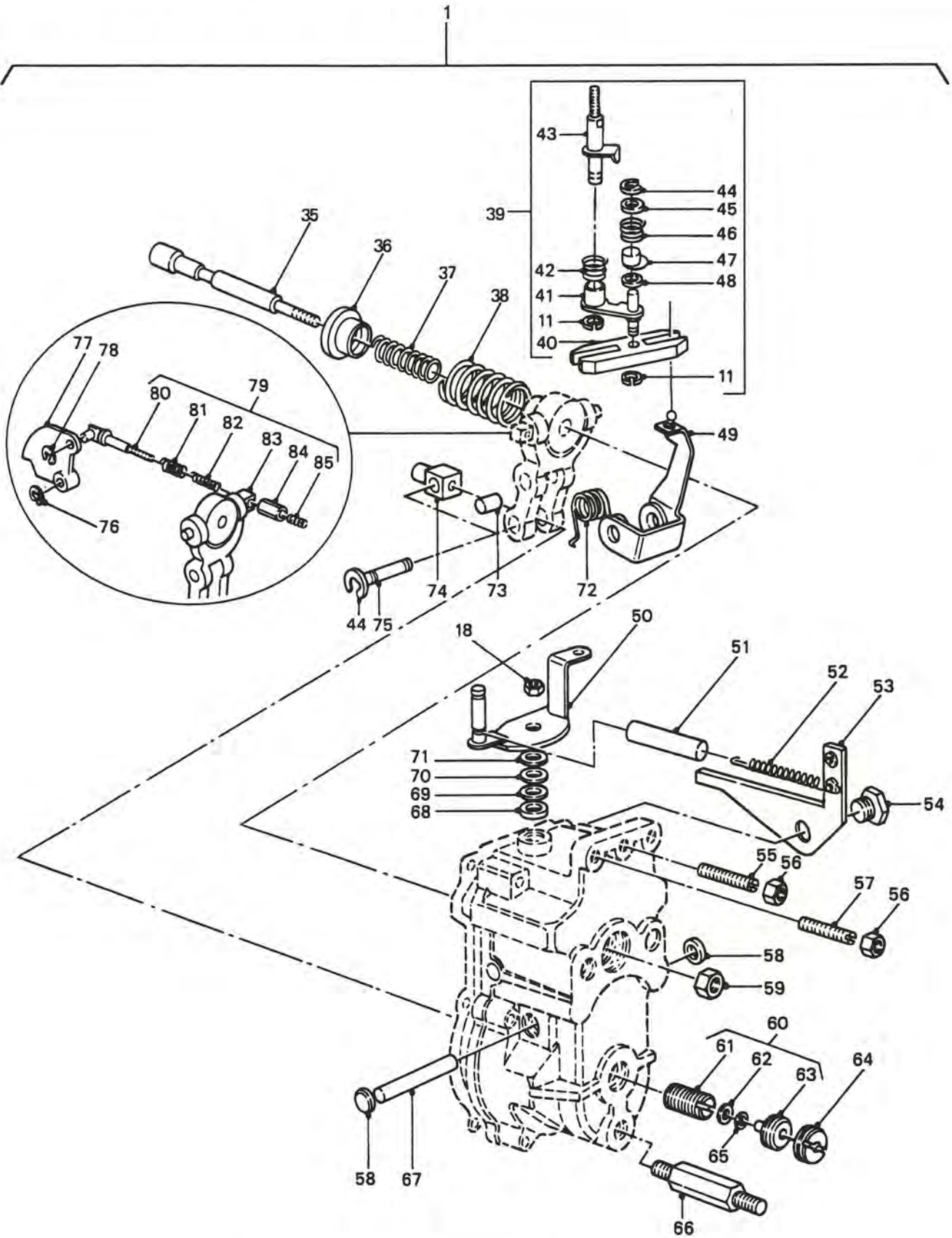


GOVERNOR ASSEMBLY

PERENTIE LAND ROVER PARTS LIST

ITEM	PART NO.	DESCRIPTION	NSN	DERIVATIVE CODE									
				2185	2186	2208	2209	2210	2211	2212	2219	CP	
61	NSS												
62	NSS												
63	NSS												
64	8941711440	SCREW		1	1	1	1	1	1	1	1	1	
65	NSS												
66	8943255020	BOLT		1	1	1	1	1	1	1	1	1	
67	5157250080	SHAFT		1	1	1	1	1	1	1	1	1	
68	1157298310	BUSH-GOVERNOR		1	1	1	1	1	1	1	1	1	
69	1157298750	SEAL-OIL		1	1	1	1	1	1	1	1	1	
70	1157297020	SHIM - 0.20MM		1	1	1	1	1	1	1	1	1	
	1157298270	SHIM - 0.25MM		1	1	1	1	1	1	1	1	1	
	1157295650	SHIM - 0.30MM		1	1	1	1	1	1	1	1	1	
	1157298260	SHIM - 0.35MM		1	1	1	1	1	1	1	1	1	
	1157297030	SHIM - 0.40MM		1	1	1	1	1	1	1	1	1	
	8943444270	SHIM - 0.60MM		1	1	1	1	1	1	1	1	1	
71	1157298280	WASHER		1	1	1	1	1	1	1	1	1	
72	8941711400	SPRING		1	1	1	1	1	1	1	1	1	
73	1157293711	COLLAR		1	1	1	1	1	1	1	1	1	
74	8941711420	SHIFTER		1	1	1	1	1	1	1	1	1	
75	1157293700	PIN		1	1	1	1	1	1	1	1	1	
76	5157290230	RING-SNAP		1	1	1	1	1	1	1	1	1	
77	8943444430	PLATE-CAM		1	1	1	1	1	1	1	1	1	
78	9091854040	RING-SNAP		1	1	1	1	1	1	1	1	1	
79	8943399650	LEVER ASSY-TENSION (INCL ITEMS 80 - 85)		1	1	1	1	1	1	1	1	1	
80	NSS												
81	NSS												
82	NSS												
83	NSS												
84	NSS												

GROUP DED SHEET 2



GOVERNOR ASSEMBLY

PERENTIE LAND ROVER PARTS LIST

DED /1/2 GOVERNOR ASSEMBLY - CONTINUED

GROUP OF

<u>ITEM</u>	<u>PART NO.</u>	<u>DESCRIPTION</u>	<u>NSN</u>	<u>DERIVATIVE CODE</u>
				<u>2185 2186 2208 2209 2210 2211 2212 2219 CP</u>

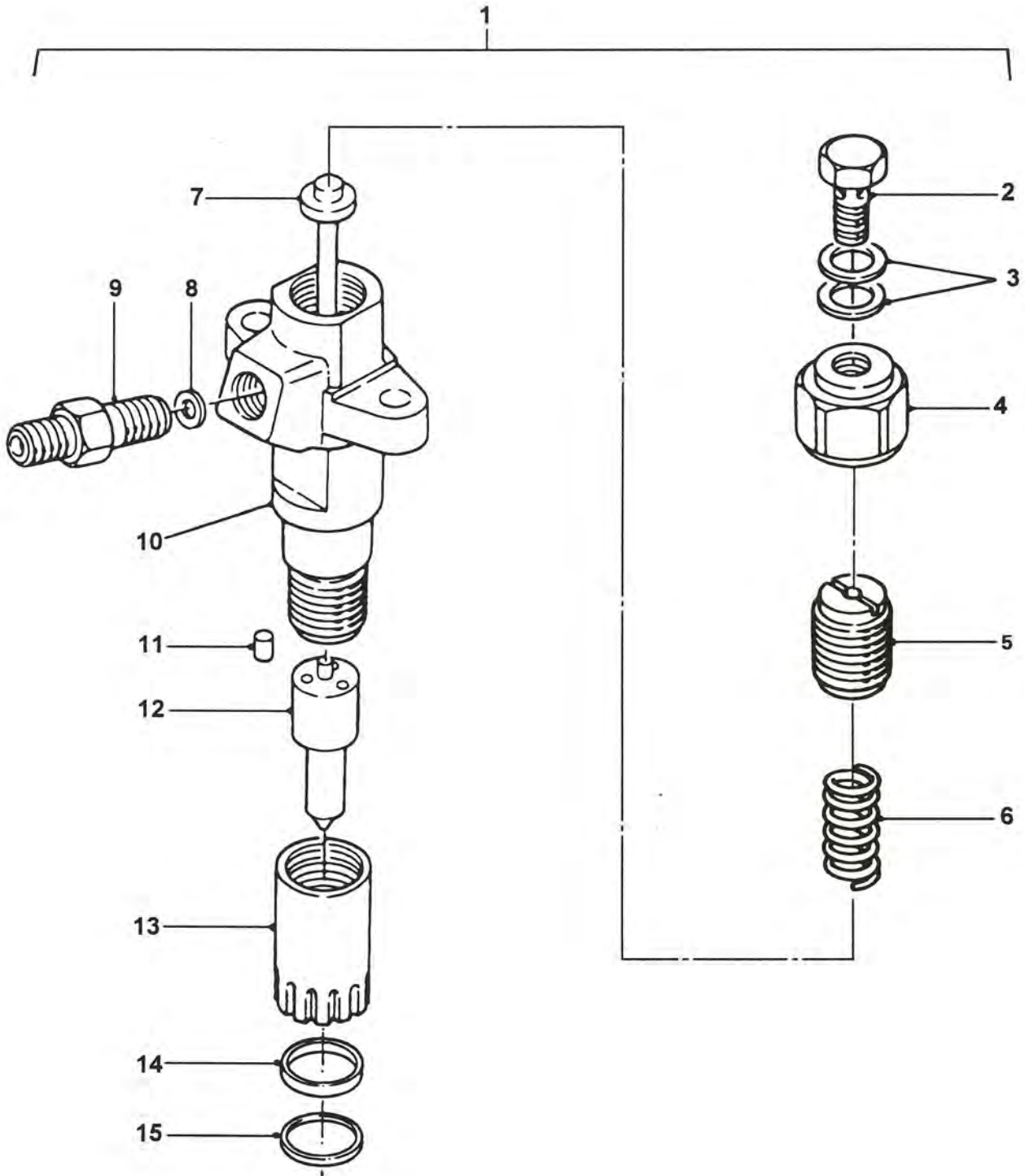
85 NSS

CHANGE POINT

ARN INTRODUCTION



GROUP DF



FUEL INJECTOR

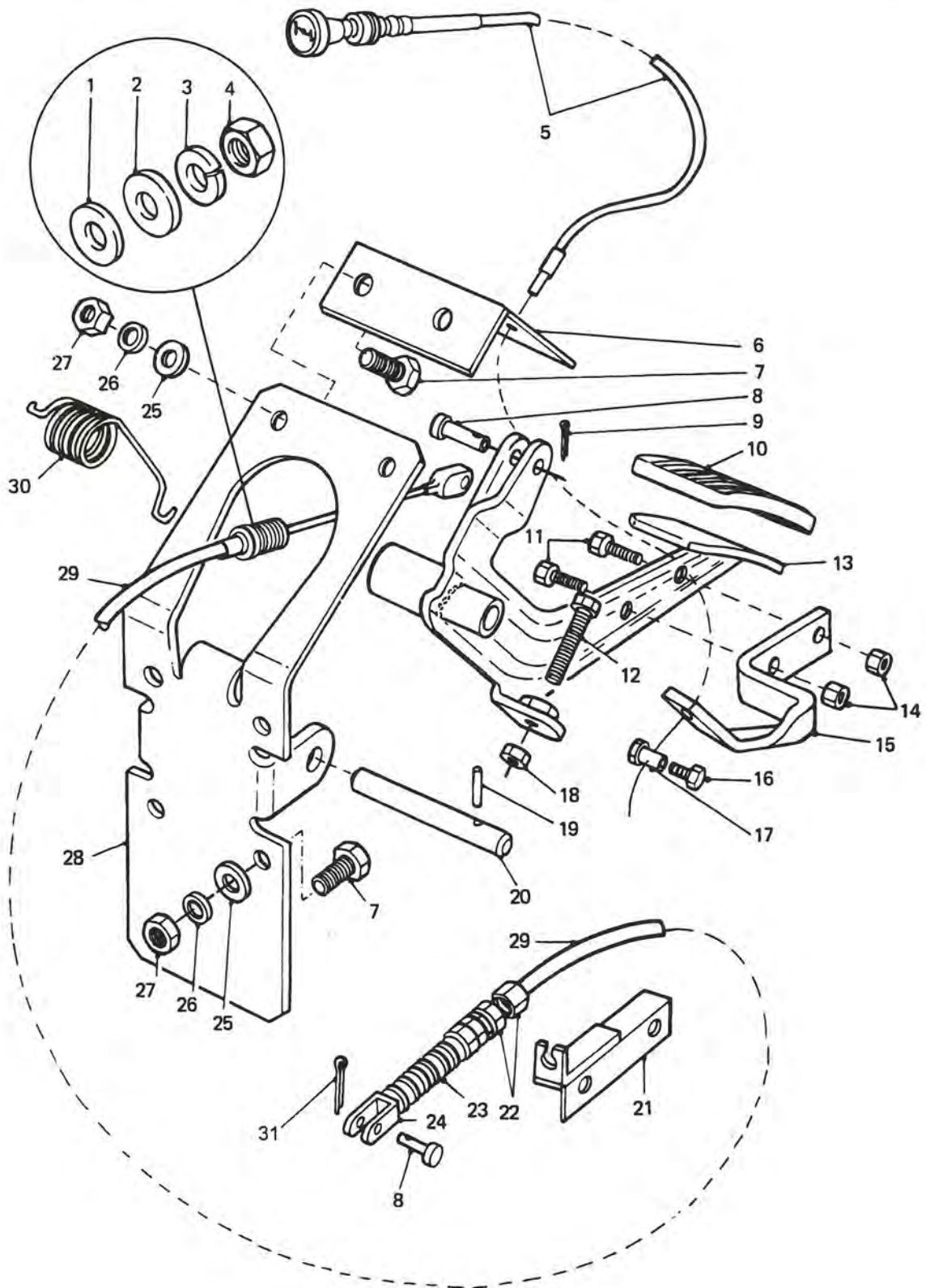
PERENTIE LAND ROVER PARTS LIST

<u>ITEM</u>	<u>PART NO.</u>	<u>DESCRIPTION</u>	<u>NSN</u>	<u>DERIVATIVE CODE</u>								
				<u>2185</u>	<u>2186</u>	<u>2208</u>	<u>2209</u>	<u>2210</u>	<u>2211</u>	<u>2212</u>	<u>2219</u>	<u>CP</u>
1	HYL8645	INJECTOR ASSY-FUEL (INCL ITEMS 2-15)	2910-66-128-5538	4	4	4	4	4	4	4	4	4
2	.1096751390	BOLT-EYE		4	4	4	4	4	4	4	4	4
3	9095714080	WASHER-COPPER-LEAK OFF PIPE	5310-66-128-4271	8	8	8	8	8	8	8	8	8
4	8941695040	NUT-CAP		4	4	4	4	4	4	4	4	4
5	8941695030	SCREW-ADJUSTING		4	4	4	4	4	4	4	4	4
6	5153430050	SPRING-NOZZLE		4	4	4	4	4	4	4	4	4
7	8941695020	PUSHROD		4	4	4	4	4	4	4	4	4
8	5153390030	SEAL-COPPER-INJECTOR NOZZLE		4	4	4	4	4	4	4	4	4
9	5153490020	CONNECTOR		4	4	4	4	4	4	4	4	4
10	8941297480	HOLDER-NOZZLE		4	4	4	4	4	4	4	4	4
11	9153470030	PIN		8	8	8	8	8	8	8	8	8
12	5153110200	NOZZLE-INJECTOR		4	4	4	4	4	4	4	4	4
13	5153320070	NUT-RETAINING		4	4	4	4	4	4	4	4	4
14	9153390510	SEAL-RUBBER-INJECTOR		4	4	4	4	4	4			4
15	5153150030	SEAL-COPPER-INJECTOR NOZZLE	5310-66-128-4272	4	4	4	4	4	4	4	4	4
	9091645080	WASHER-PLAIN-INJECTOR TO CYL. HEAD	5310-66-128-4416	8	8	8	8	8	8	8	8	8
	11014031	NUT-INJECTOR TO CYL. HEAD	5310-66-128-4421	8	8	8	8	8	8	8	8	8
	9091505080	WASHER-LOCK-INJECTOR TO CYL. HEAD	5310-66-128-4420	8	8	8	8	8	8	8	8	8

CHANGE POINT

ARN INTRODUCTION

GROUP DGA



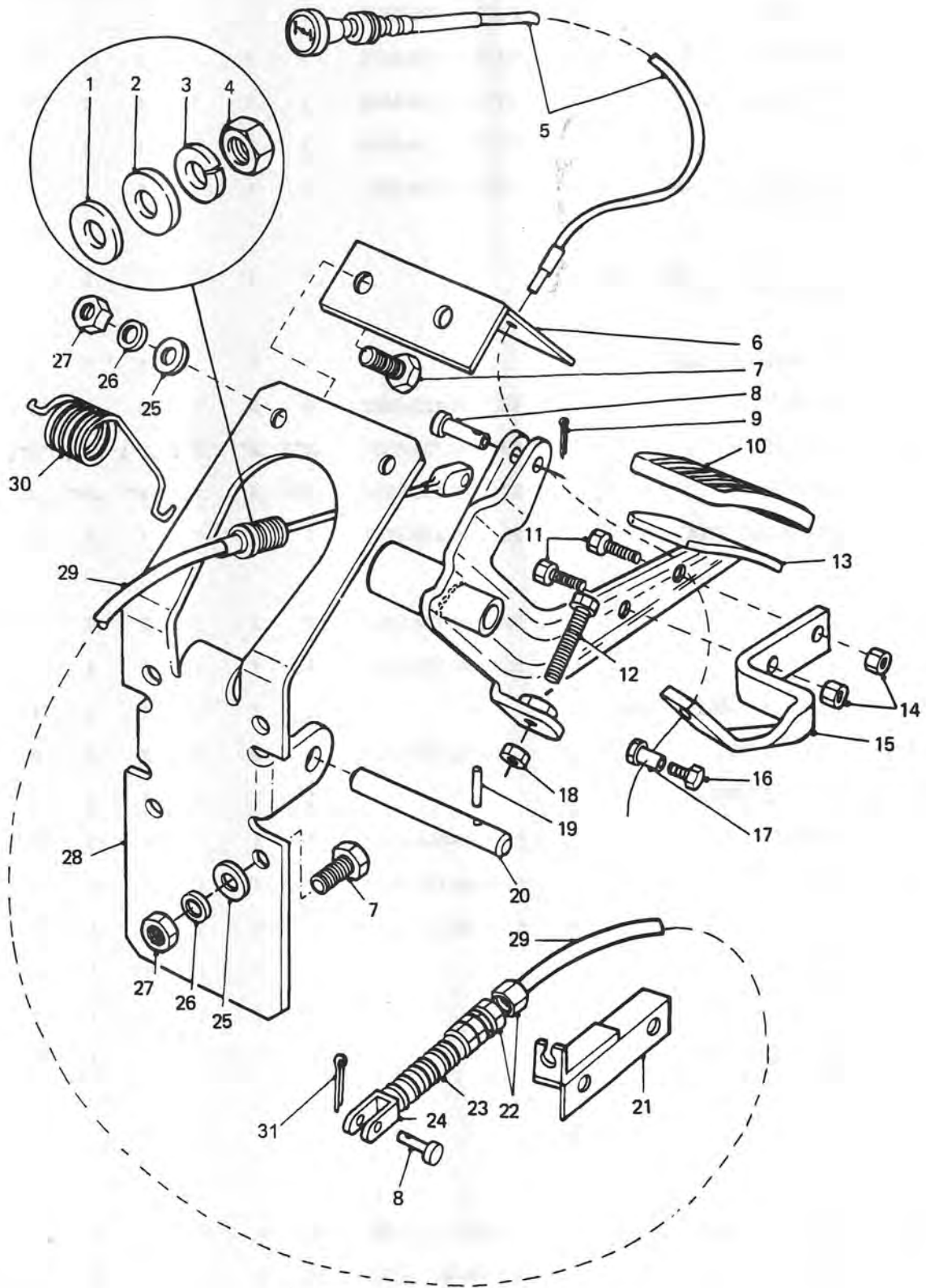
ACCELERATOR PEDAL AND HAND THROTTLE CABLE

PERENTIE LAND ROVER PARTS LIST

DGA /1/1 ACCELERATOR PEDAL AND HAND THROTTLE CABLE

ITEM	PART NO.	DESCRIPTION	NSN	DERIVATIVE CODE							
				2185	2186	2208	2209	2210	2211	2212	2219 CP
1	R532387	'O' RING	5330-99-805-8677	1	1	1	1	1	1	1	1
2	WA112081L	WASHER-PLAIN	5310-99-122-6477	1	1	1	1	1	1	1	1
3	WF112001L	WASHER-LOCK	5310-66-128-4503	1	1	1	1	1	1	1	1
4	NT112041L	NUT	5310-99-139-8286	1	1	1	1	1	1	1	1
5	NTC3932	CABLE ASSY-HAND THROTTLE	2590-66-128-4581	1	1	1	1	1	1	1	1
	MYH3552	'E' CLIP-HAND THROTTLE CABLE TO BRKT		1	1	1	1	1	1	1	1
6	AYG2931	BRACKET-CABLE		1	1	1	1	1	1	1	1
7	FS106161	SCREW	5305-99-122-5360	6	6	6	6	6	6	6	6
8	NRC5502	PIN-CLEVIS	5315-99-722-6367	2	2	2	2	2	2	2	2
9	PS103081L	SPLIT PIN	5315-99-138-2200	1	1	1	1	1	1	1	1
10	11H1781L	PAD-ACCELERATOR PEDAL	2540-99-830-2777	1	1	1	1	1	1	1	1
11	FS106201	SCREW	5305-99-122-5361	2	2	2	2	2	2	2	2
12	SH106301L	SCREW	5305-99-122-5363	1	1	1	1	1	1	1	1
13	AYG2678	PEDAL-ACCELERATOR		1	1	1	1	1	1	1	1
14	NY106041L	NUT-NYLOC	5310-99-138-8423	2	2	2	2	2	2	2	2
15	AYG2677	BRACKET-PEDAL		1	1	1	1	1	1	1	1
16	AUE34	SCREW	5305-99-804-6822	1	1	1	1	1	1	1	1
17	ACH9042	NUT	5310-66-128-4504	1	1	1	1	1	1	1	1
18	JH605041L	NUT	5310-66-128-4505	1	1	1	1	1	1	1	1
19	PA105161	ROLL PIN		1	1	1	1	1	1	1	1
20	NRC4475	SHAFT		1	1	1	1	1	1	1	1
21	AYG364	ABUTMENT ASSY		1	1	1	1	1	1	1	1
22	NSS										
23	NSS										
24	NSS										
25	WA106041L	WASHER-PLAIN	5310-66-098-4440	6	6	6	6	6	6	6	6
26	WL106001L	WASHER-LOCK	5310-99-137-9232	6	6	6	6	6	6	6	6

GROUP DGA



ACCELERATOR PEDAL AND HAND THROTTLE CABLE

PERENTIE LAND ROVER PARTS LIST

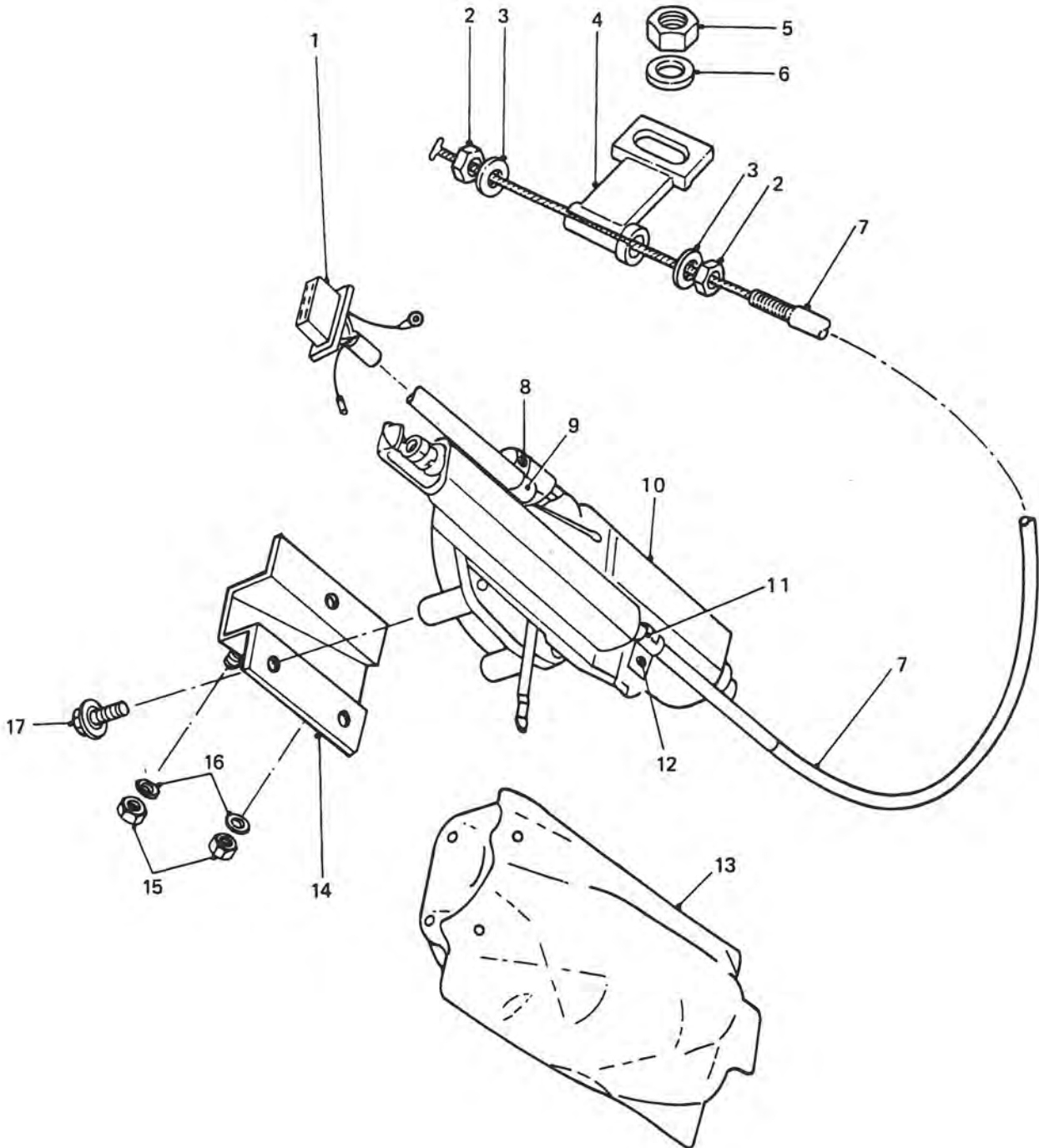
DGA /1/1 ACCELERATOR PEDAL AND HAND THROTTLE CABLE

<u>ITEM</u>	<u>PART NO.</u>	<u>DESCRIPTION</u>	<u>NSN</u>	<u>DERIVATIVE CODE</u>							
				<u>2185</u>	<u>2186</u>	<u>2208</u>	<u>2209</u>	<u>2210</u>	<u>2211</u>	<u>2212</u>	<u>2219</u>
27	NH106041L	NUT	5310-66-098-4401	6	6	6	6	6	6	6	6
28	NRC5220	BRACKET-MOUNTING		1	1	1	1	1	1	1	1
29	NRC5494	CABLE ACCELERATOR	2590-66-128-4292	1	1	1	1	1	1	1	1
30	NRC9121	SPRING	5360-66-128-5539	1	1	1	1	1	1	1	1
	MYH1763	CABLE TIE-ACCELERATOR CABLE	5975-12-199-8964	1	1	1	1	1	1	1	1
31	PS103101L	SPLIT PIN	5315-99-282-2094	1	1	1	1	1	1	1	1

CHANGE POINT

ARN INTRODUCTION

GROUP DGB



ENGINE STOP CONTROL

PERENTIE LAND ROVER PARTS LIST

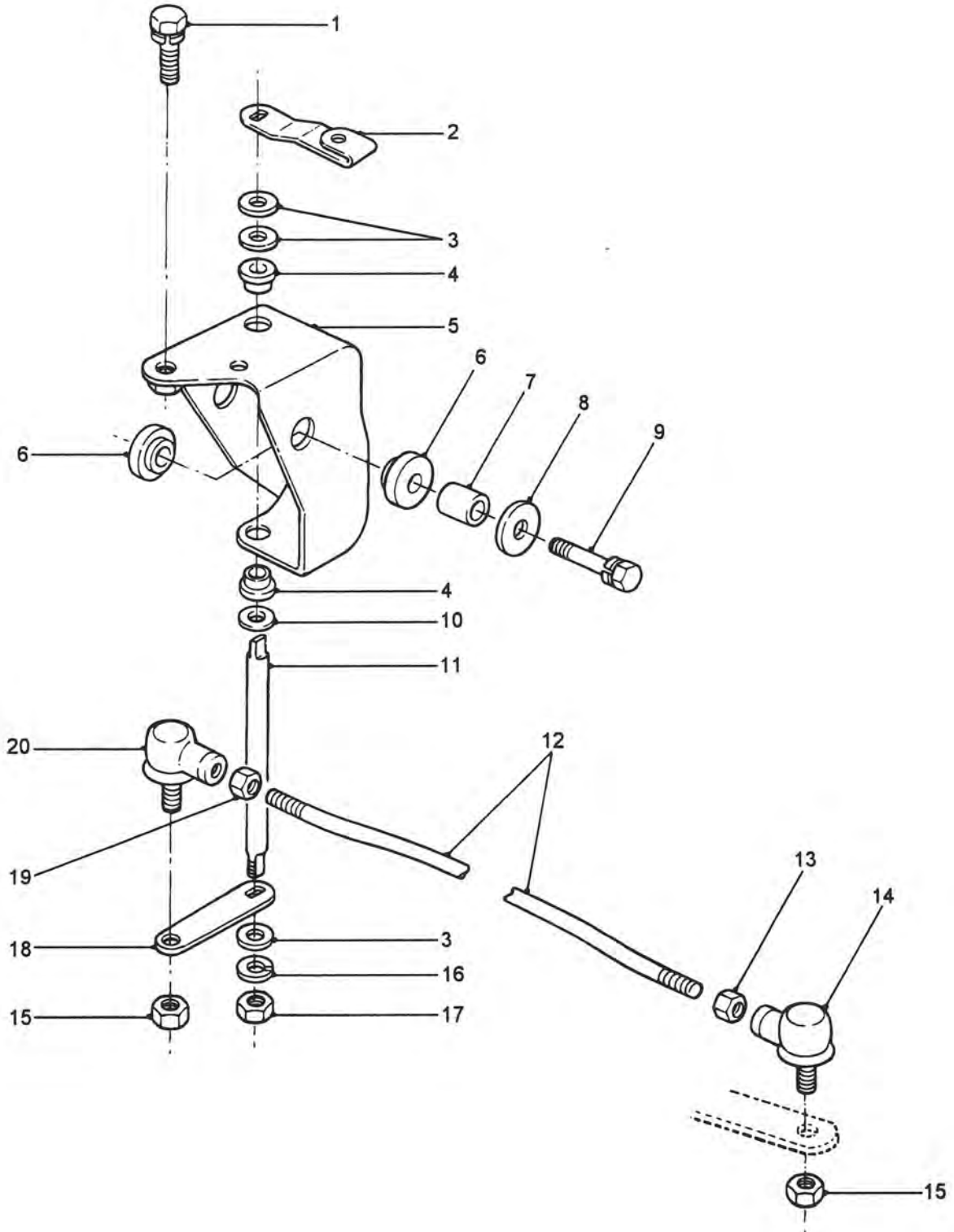
DGB /1/1 ENGINE STOP CONTROL

ITEM	PART NO.	DESCRIPTION	NSN	DERIVATIVE CODE								
				2185	2186	2208	2209	2210	2211	2212	2219	CP
1	AYG9640	CONNECTOR KIT-6 WAY		1	1	1	1	1	1	1	1	
2	NSS											
3	NSS											
4	8941548610	CLAMP-STOP CONTROL CABLE		1	1	1	1	1	1	1	1	
5	NY106041L	NUT-NYLOC	5310-99-138-8423	1	1	1	1	1	1	1	1	
6	WA106041L	WASHER-PLAIN	5310-66-098-4440	1	1	1	1	1	1	1	1	
7	AYG9621	CABLE-STOP CONTROL		1	1	1	1	1	1	1	1	
8	NSS											
9	NSS											
10	AYG9697	STOP SOLENOID	2920-66-128-4593	1	1	1	1	1	1	1	1	
11	NSS											
12	9039105100	SCREW-CABLE	5305-66-128-4502	1	1	1	1	1	1	1	1	
13	5828480220	COVER-VINYL		1	1	1	1	1	1	1	1	
14	NSS	USE AYG9697										
15	NY108041L	NUT-NYLOC	5310-99-122-5496	2	2	2	2	2	2	2	2	
16	WA108051L	WASHER-PLAIN	5310-99-122-6475	2	2	2	2	2	2	2	2	
17	NSS											
	HYG632	CABLE-RELAY TO EARTH		1	1	1	1	1	1	1	1	
	AYK9235	CABLE-RELAY FEED		1	1	1	1	1	1	1	1	
	5828480830	SPRING-STOP CONTROL CABLE		1	1	1	1	1	1	1	1	

CHANGE POINT

ARN INTRODUCTION

GROUP DGC



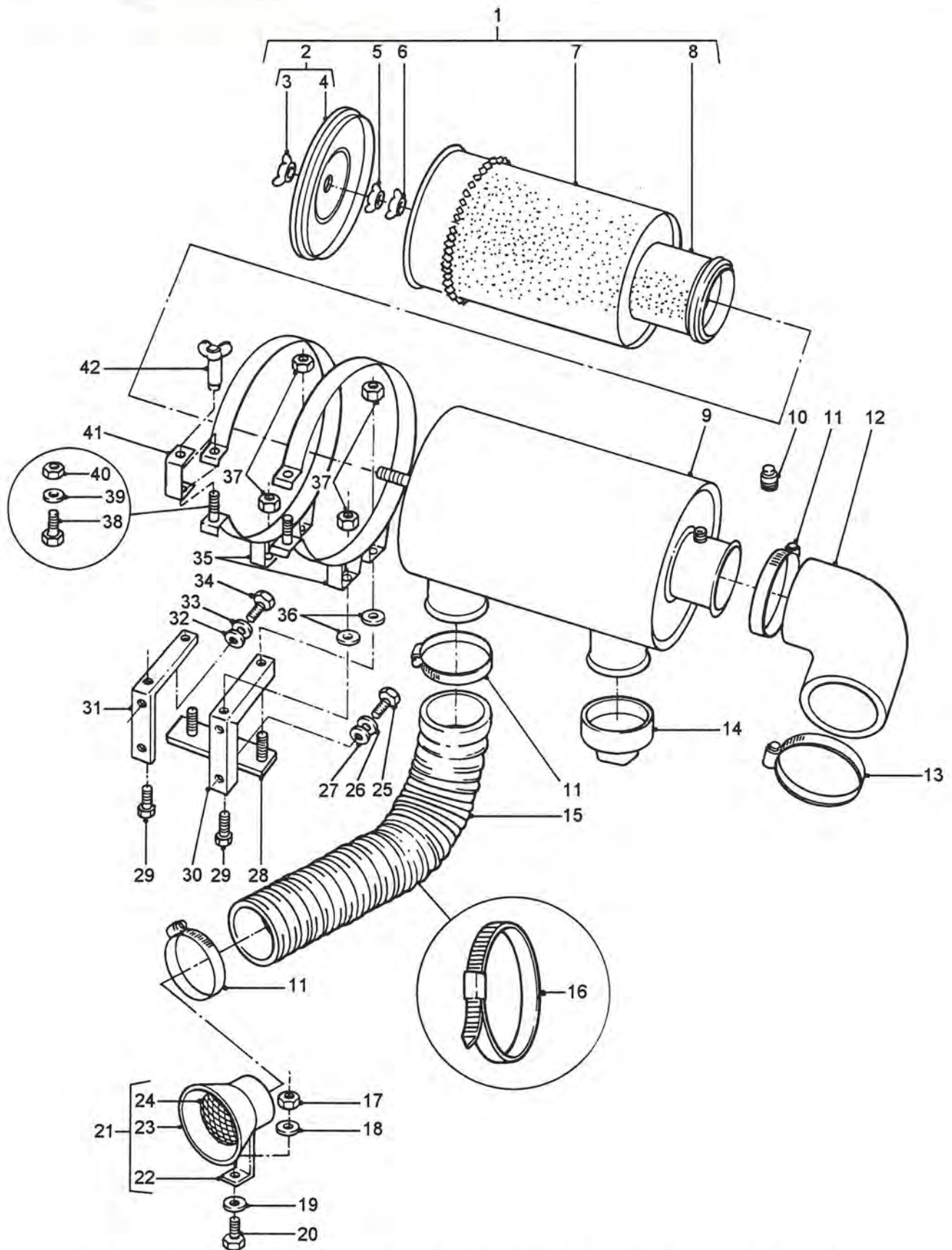
ACCELERATOR LINKAGE

PERENTIE LAND ROVER PARTS LIST

<u>ITEM</u>	<u>PART NO.</u>	<u>DESCRIPTION</u>	<u>NSN</u>	<u>DERIVATIVE CODE</u>								
				<u>2185</u>	<u>2186</u>	<u>2208</u>	<u>2209</u>	<u>2210</u>	<u>2211</u>	<u>2212</u>	<u>2219</u>	<u>CP</u>
1	9019110250	BOLT	5306-66-128-4572	2	2	2	2	2	2	2	2	2
2	8944161121	SHAFT-CONTROL		1	1	1	1	1	1	1	1	1
3	9098514110	WASHER	5310-66-128-5570	3	3	3	3	3	3	3	3	3
4	5155490011	BUSH	3120-66-128-5571	2	2	2	2	2	2	2	2	2
5	8942548021	BRACKET		1	1	1	1	1	1	1	1	1
6	8942556431	MOUNTING-RUBBER	5365-66-128-5572	2	2	2	2	2	2	2	2	2
7	8942556421	BUSHING	5365-66-128-5633	1	1	1	1	1	1	1	1	1
8	8941558840	WASHER	5310-66-128-5573	1	1	1	1	1	1	1	1	1
9	9019108400	BOLT	5306-66-128-4401	1	1	1	1	1	1	1	1	1
10	8941480780	WASHER		1	1	1	1	1	1	1	1	1
11	8941476030	SHAFT-LEVER		1	1	1	1	1	1	1	1	1
12	5097650010	ROD-LINK		1	1	1	1	1	1	1	1	1
13	9991114050	NUT-LINK ROD		1	1	1	1	1	1	1	1	1
14	1097600950	BALL JOINT-RH	3040-66-128-5575	1	1	1	1	1	1	1	1	1
15	8944241780	NUT	5310-66-128-5577	2	2	2	2	2	2	2	2	2
16	9091505080	WASHER-LOCK	5310-66-128-4420	1	1	1	1	1	1	1	1	1
17	0831022083	NUT	5310-66-128-4414	1	1	1	1	1	1	1	1	1
18	AYG558	LEVER-CONTROL		1	1	1	1	1	1	1	1	1
19	9098402770	NUT-BALL JOINT		1	1	1	1	1	1	1	1	1
20	1097600960	BALL JOINT-LH	3040-66-128-5574	1	1	1	1	1	1	1	1	1

CH IE POINT ARN INTRODUCTION

GROUP DK/1



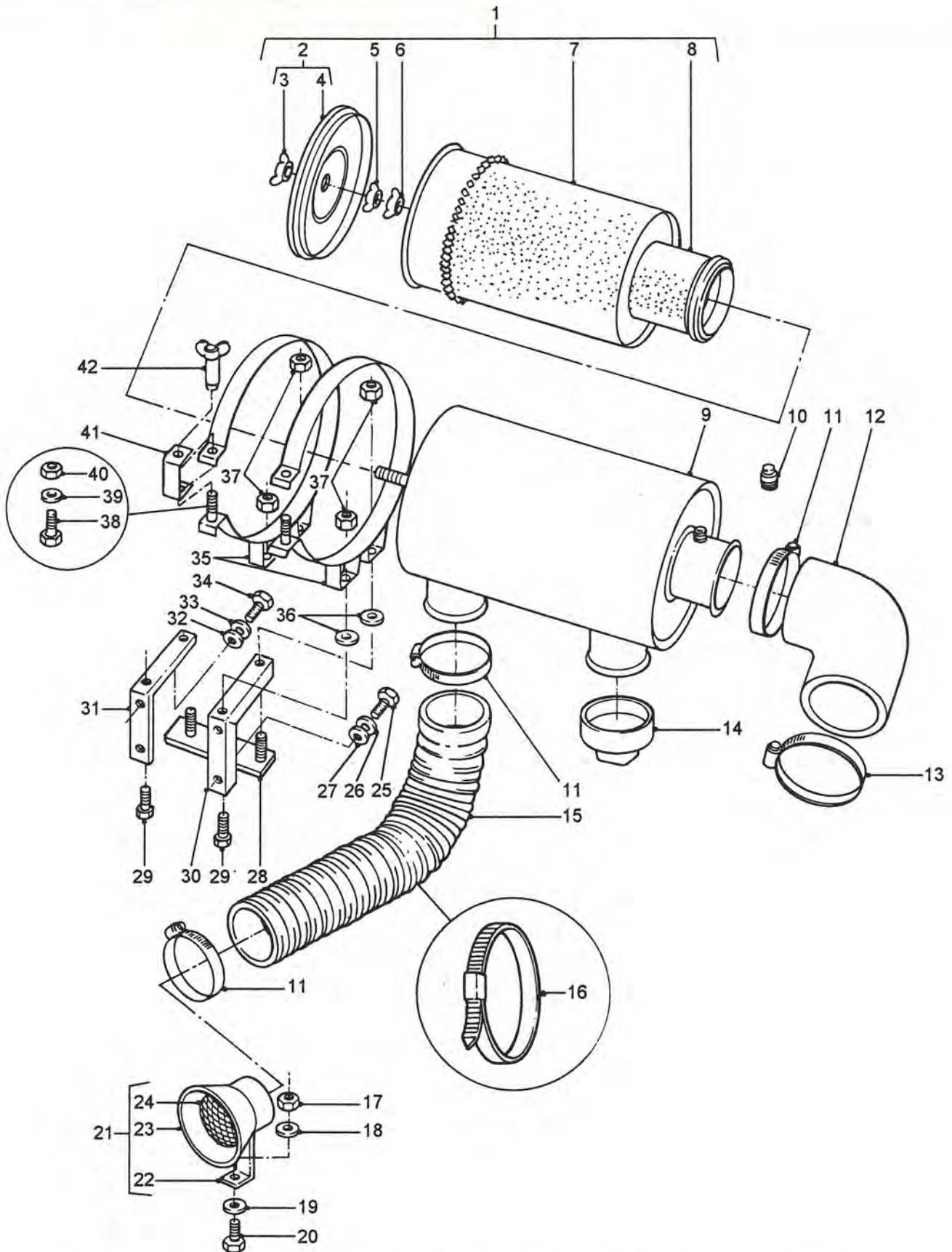
**AIR CLEANER, MOUNTING AND HOSES
- EXCEPT LRPV**

PERENTIE LAND ROVER PARTS LIST

DK /1/1 AIR CLEANER, MOUNTING AND HOSES - EXCEPT LRPV

ITEM	PART NO.	DESCRIPTION	NSN	DERIVATIVE CODE							CP	
				2185	2186	2208	2209	2210	2211	2212		2219
1	AYG527	AIR CLEANER ASSY (INCL ITEMS 2-9 & 14)		1	1	1		1			1	
1	AYG561	AIR CLEANER ASSY (INCL ITEMS 2-9 & 14)						1			1	1
	AYG523	PIPE-ELBOW-TO COMPRESSOR						1				1
2	HYL8815	COVER & NUT ASSY		1	1	1	1	1			1	1
3	NSS											
4	NSS											
5	HYL8674	NUT-WING	5310-00-228-6847	1	1	1	1	1			1	1
6	HYL8673	NUT-WING	5310-66-128-4800	1	1	1	1	1			1	1
7	AYG2825	ELEMENT-AIR-PRIMARY	2940-66-128-5576	1	1	1	1	1			1	1
8	AYG2623	ELEMENT-AIR-SECONDARY	2940-66-128-4284	1	1	1	1	1			1	1
9	NSS											
10	BYK8080	INDICATOR-SERVICE	2910-00-400-6861	1	1	1	1	1			1	1
11	CJ600564	CLAMP-HOSE-ELBOW TO AIR CLEANER	4730-99-533-2970	3	3	3	3	3			3	3
12	AYG471	ELBOW-AIR CLEANER TO TURBO	4720-66-128-5578	1	1	1	1	1			1	1
13	CJ600444	CLAMP-HOSE-ELBOW TO TURBO	4730-66-098-3139	1	1	1	1	1			1	1
14	P10/6593	VALVE-ACTUATOR	4820-01-192-7676	1	1	1	1	1			1	1
15	MYH5322	HOSE-INLET	4720-66-128-4499	1	1	1	1	1			1	1
16	MYH1940	CABLE TIE	5340-99-618-3776	1	1	1	1	1			1	1
17	NH106041L	NUT	5310-66-098-4401	1	1	1	1	1			1	1
18	WL106001L	WASHER-LOCK	5310-99-137-9232	1	1	1	1	1			1	1
19	WA106041L	WASHER-PLAIN	5310-66-098-4440	1	1	1	1	1			1	1
20	FS106161	SCREW	5305-99-122-5360	1	1	1	1	1			1	1
21	AYG2767	INLET ASSEMBLY		1	1	1	1	1			1	1

GROUP DK/1



**AIR CLEANER, MOUNTING AND HOSES
- EXCEPT LRPV**

PERENTIE LAND ROVER PARTS LIST

DK /1/1 AIR CLEANER, MOUNTING AND HOSES - EXCEPT LRPV

DERIVATIVE CODE

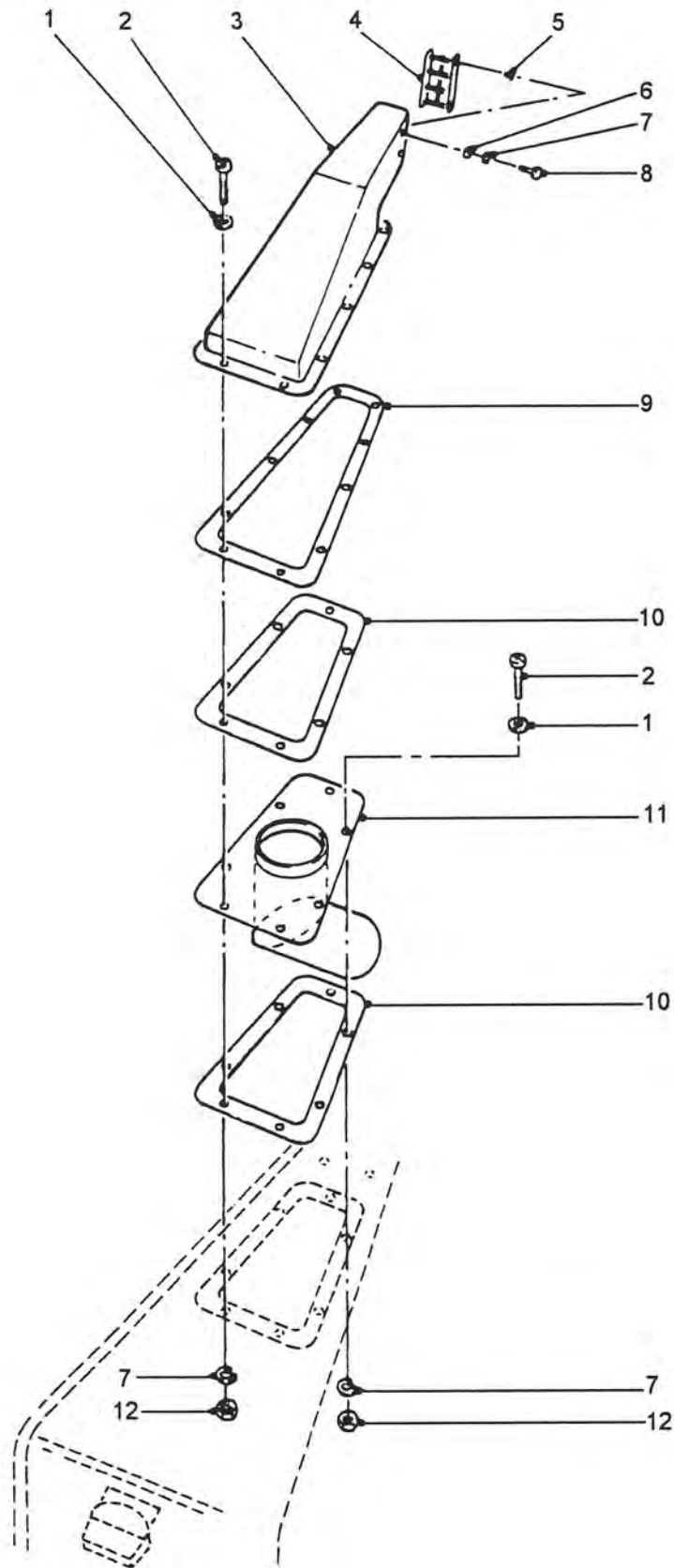
ITEM	PART NO.	DESCRIPTION	NSN	DERIVATIVE CODE								
				2185	2186	2208	2209	2210	2211	2212	2219	CP
22	NSS											
23	NSS											
24	NSS											
25	SH214501	SCREW-LOWER		2	2	2	2	2		2	2	
26	WL114001L	WASHER-LOCK		2	2	2	2	2		2	2	
27	WA600091L	WASHER-PLAIN	5310-66-012-6841	4	4	4	4	4		4	4	
28	AYG5640	STRAP ASSY-AIR CLEANER MOUNTING		1	1	1	1	1		1	1	
29	FS108201	SCREW	5305-99-122-5366	2	2	2	2	2		2	2	
30	3YG2147	BRACKET-AIR CLEANER -LH		1	1	1	1	1		1	1	
31	BYG2144	BRACKET-AIR CLEANER -RH		1	1	1	1	1		1	1	
32	WA110061L	WASHER-PLAIN	5310-99-122-6476	2	2	2	2	2		2	2	
33	WL110001L	WASHER-LOCK	5310-99-138-9228	2	2	2	2	2		2	2	
34	BH210131	BOLT-UPPER		2	2	2	2	2		2	2	
35	AYG2701	BAND ASSY-MOUNTING		2	2	2	2	2		2	2	
36	AYG9857	SPACER		4	4	4	4	4		4	4	
37	NY108041L	NUT-NYLOC	5310-99-122-5496	4	4	4	4	4		4	4	
38	SH108401L	SCREW	5306-66-097-0722	2	2	2	2	2		2	2	
39	WL108001L	WASHER-LOCK	5310-99-138-9227	2	2	2	2	2		2	2	
40	N108041	NUT	5310-99-499-8033	2	2	2	2	2		2	2	
41	AYG2939	RETAINER-WING NUT		2	2	2	2	2		2	2	
42	AYG2703	NUT-WING ASSY	5310-66-128-5630	2	2	2	2	2		2	2	

CHANGE POINT

ARN INTRODUCTION

GROUP DK/2/1

LRPV ONLY



SNORKEL AND MOUNTINGS – LRPV ONLY

PERENTIE LAND ROVER PARTS LIST

DK /2/1 SNORKEL AND MOUNTINGS - LRPV ONLY

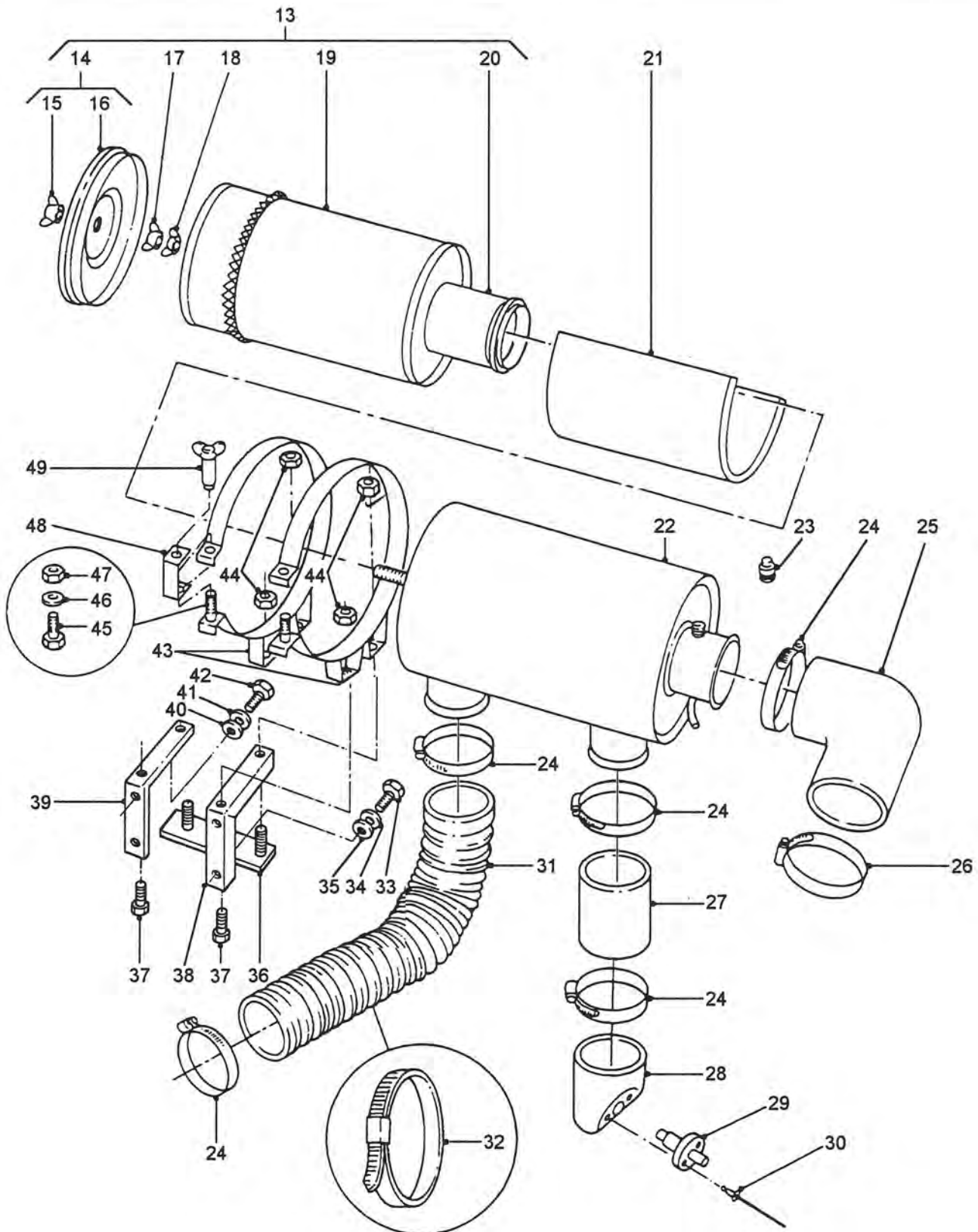
<u>ITEM</u>	<u>PART NO.</u>	<u>DESCRIPTION</u>	<u>NSN</u>	<u>DERIVATIVE CODE</u>										
				<u>2185</u>	<u>2186</u>	<u>2208</u>	<u>2209</u>	<u>2210</u>	<u>2211</u>	<u>2212</u>	<u>2219</u>	<u>CP</u>		
1	WC105001L	WASHER-PLAIN	5310-99-122-3032											13
2	SE105201L	SCREW	5305-66-128-4766											4
3	BYG2029	SNORKEL-AIR INLET	2590-66-128-6275											1
4	BYG2030	SCREEN ASSY	2590-66-128-6276											1
5	MM105301	RIVNUT	5310-66-128-6277											4
6	WA105001L	WASHER-PLAIN	5310-99-122-3032											4
7	WL105001L	WASHER-LOCK	5310-99-977-1102											17
8	SE105121L	SCREW	5305-99-135-0429											7
9	BYG2036	GASKET-SNORKEL	5330-66-128-6278											1
10	3YG2043	GASKET	5330-66-128-6130											2
11	BYG2110	TUBE ASSY												1
12	NH105041L	NUT	5310-66-098-4400											13
	SE105161L	SCREW-DUCT TO RH FRONT WING	5305-99-135-0430											6

CHANGE POINT

ARN INTRODUCTION

GROUP DK/2/2

LRPV ONLY



**AIR CLEANER, MOUNTINGS AND HOSES
- LRPV ONLY**

PERENTIE LAND ROVER PARTS LIST

DK /2/2

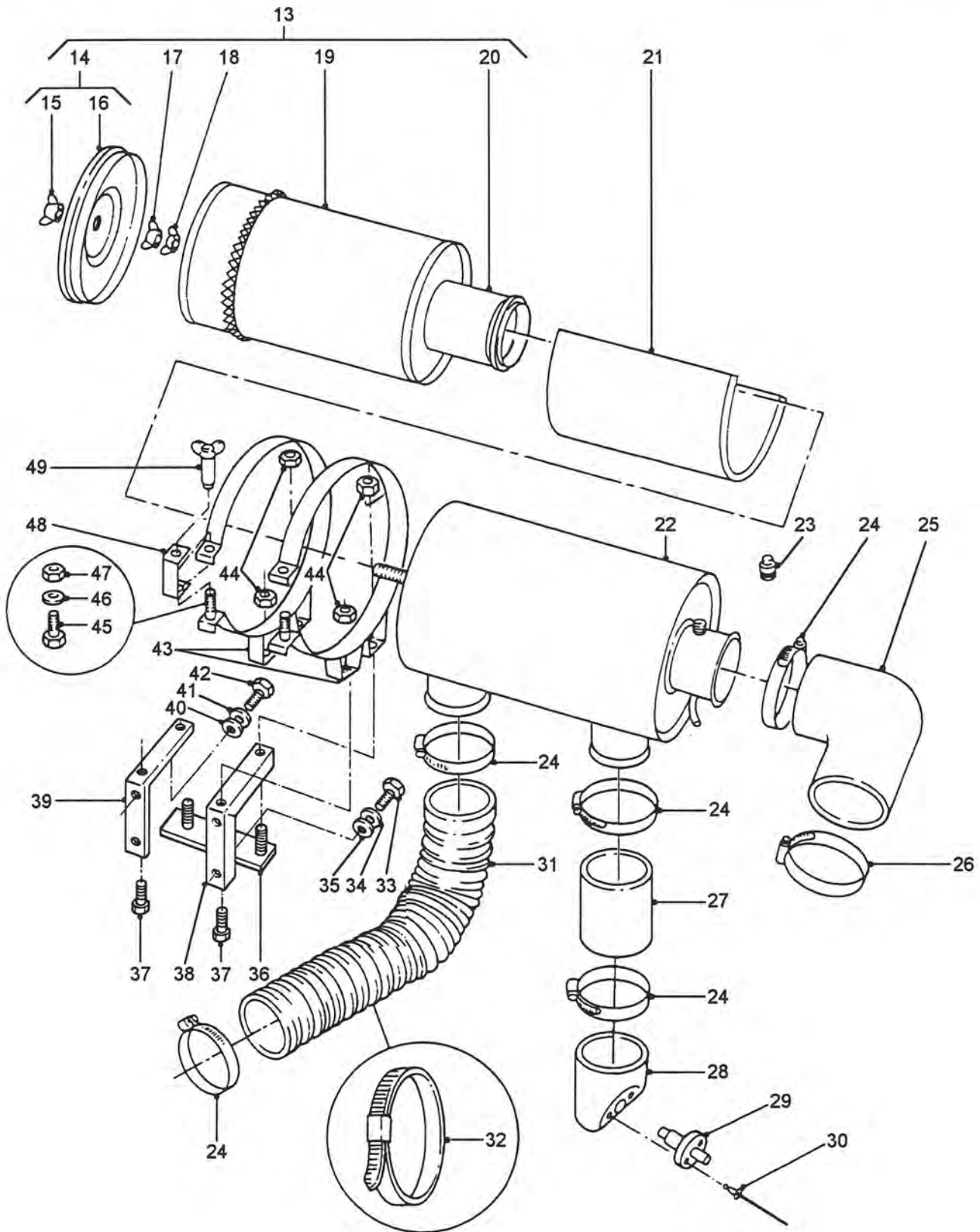
AIR CLEANER, MOUNTING AND HOSES - LRPV ONLY

DERIVATIVE CODE

ITEM	PART NO.	DESCRIPTION	NSN	DERIVATIVE CODE								
				2185	2186	2208	2209	2210	2211	2212	2219	CP
13	AYG539	AIR CLEANER ASSY (INCLUDES ITEMS 14 - 20, 22)										1
	AYG523	PIPE-ELBOW-TO COMPRESSOR										1
14	HYL8815	COVER AND NUT ASSY										1
15	NSS											
16	NSS											
	MYH3684	O. RING LID TO BODY										1
17	HYL8674	NUT-WING	5310-00-228-6847									1
18	HYL8673	NUT-WING	5310-66-128-4800									1
19	AYG2825	ELEMENT-AIR-PRIMARY	2940-66-128-5576									1
20	AYG2623	ELEMENT-AIR-SECONDARY	2940-66-128-4284									1
21	HYG5692	WRAP-PRE OILED	2940-66-128-6279									1
22	NSS											
23	BYK8080	INDICATOR-SERVICE	2910-00-400-6861									1
24	CJ600564	CLAMP-HOSE	4730-99-533-2970									3
25	AYG471	ELBOW-AIR CLEANER TO TURBO	4720-66-128-5578									1
26	CJ600444	CLAMP-ELBOW TO TURBO	4730-66-058-3139									1
27	BYG2060	HOSE-AIR CLEANER TO VACUATOR	4720-66-128-6131									1
28	BYG2039	VACUATOR-AIR CLEANER SUMP										1
29	MYH3514	PLUG-DRAIN-VACUATOR										1
30	RJ612313	POP RIVET										2
31	MYH3551	HOSE-INLET										1
32	MYH1940	CABLE TIE	5340-99-618-3776									1
33	SH214501	SCREW-LOWER										2
34	WL114001L	WASHER-LOCK										2

GROUP DK/2/2

LRPV ONLY



**AIR CLEANER, MOUNTINGS AND HOSES
- LRPV ONLY**

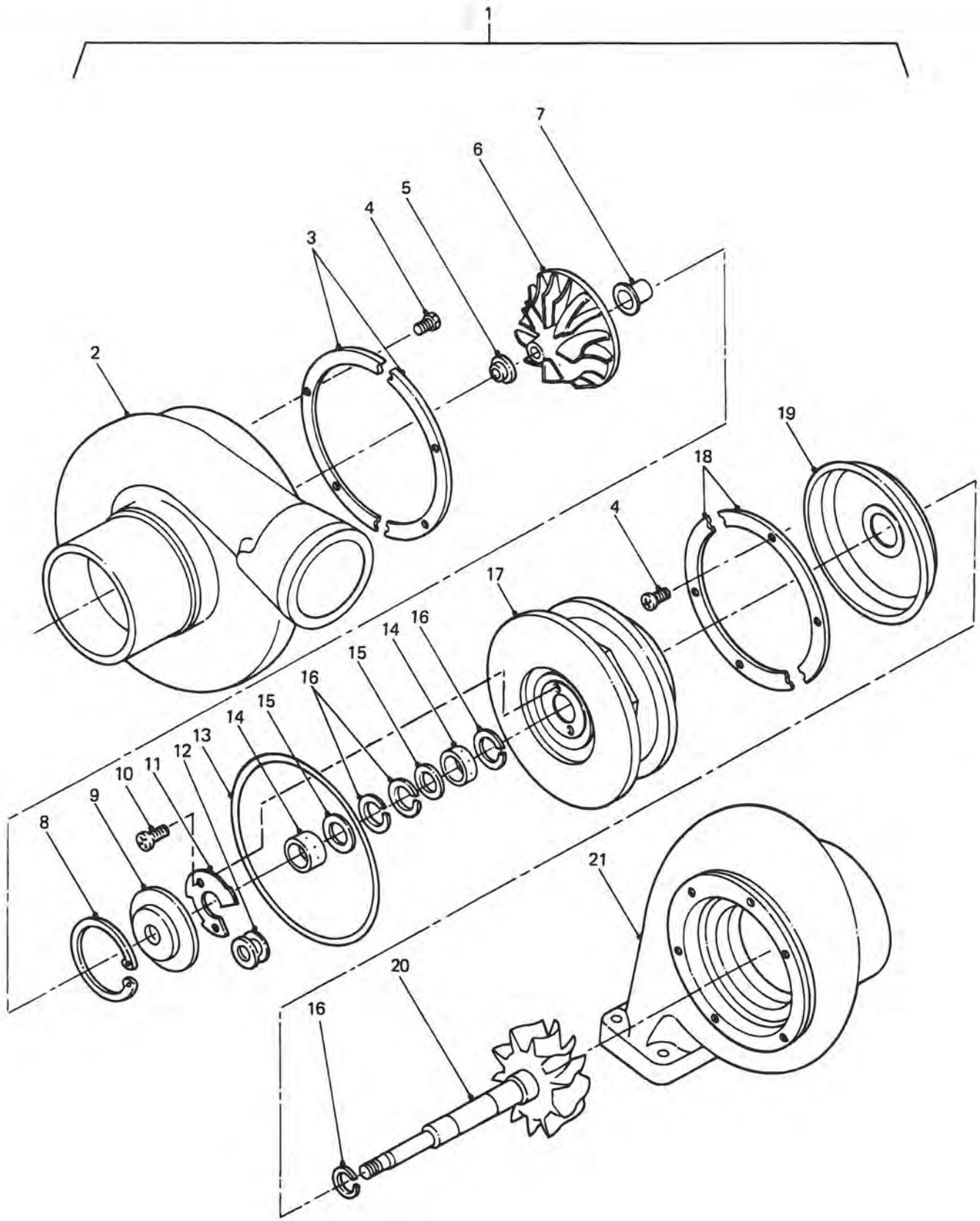
PERENTIE LAND ROVER PARTS LIST

<u>ITEM.</u>	<u>PART NO.</u>	<u>DESCRIPTION</u>	<u>NSN</u>	<u>DERIVATIVE CODE</u>								
				<u>2185</u>	<u>2186</u>	<u>2208</u>	<u>2209</u>	<u>2210</u>	<u>2211</u>	<u>2212</u>	<u>2219</u>	<u>CP</u>
35	WA600091L	WASHER-PLAIN	5310-66-012-6841									4
36	AYG5640	STRAP ASSY-AIR CLEANER MOUNTING										1
37	FS108201	SCREW	5305-99-122-5366									2
38	BYG2147	BRACKET-AIR CLEANER -LH										1
39	BYG2144	BRACKET-AIR CLEANER -RH										1
40	WA110061L	WASHER-PLAIN	5310-99-122-6476									2
41	WL110001L	WASHER-LOCK	5310-99-138-9228									2
42	BH210131	BOLT-UPPER										2
43	AYG2701	BAND ASSY-MOUNTING										2
44	NY108041L	NUT-NYLOC	5310-99-122-5496									4
45	SH108401L	SCREW	5306-66-097-0722									2
46	WL108001L	WASHER-LOCK	5310-99-138-9227									2
47	FN108041	NUT	5310-99-499-8033									2
48	AYG2939	RETAINER-WING NUT										2
49	AYG2703	NUT-WING ASSY	5310-66-128-5630									2

CHANGE POINT

ARN INTRODUCTION

GROUP DL



TURBOCHARGER ASSEMBLY

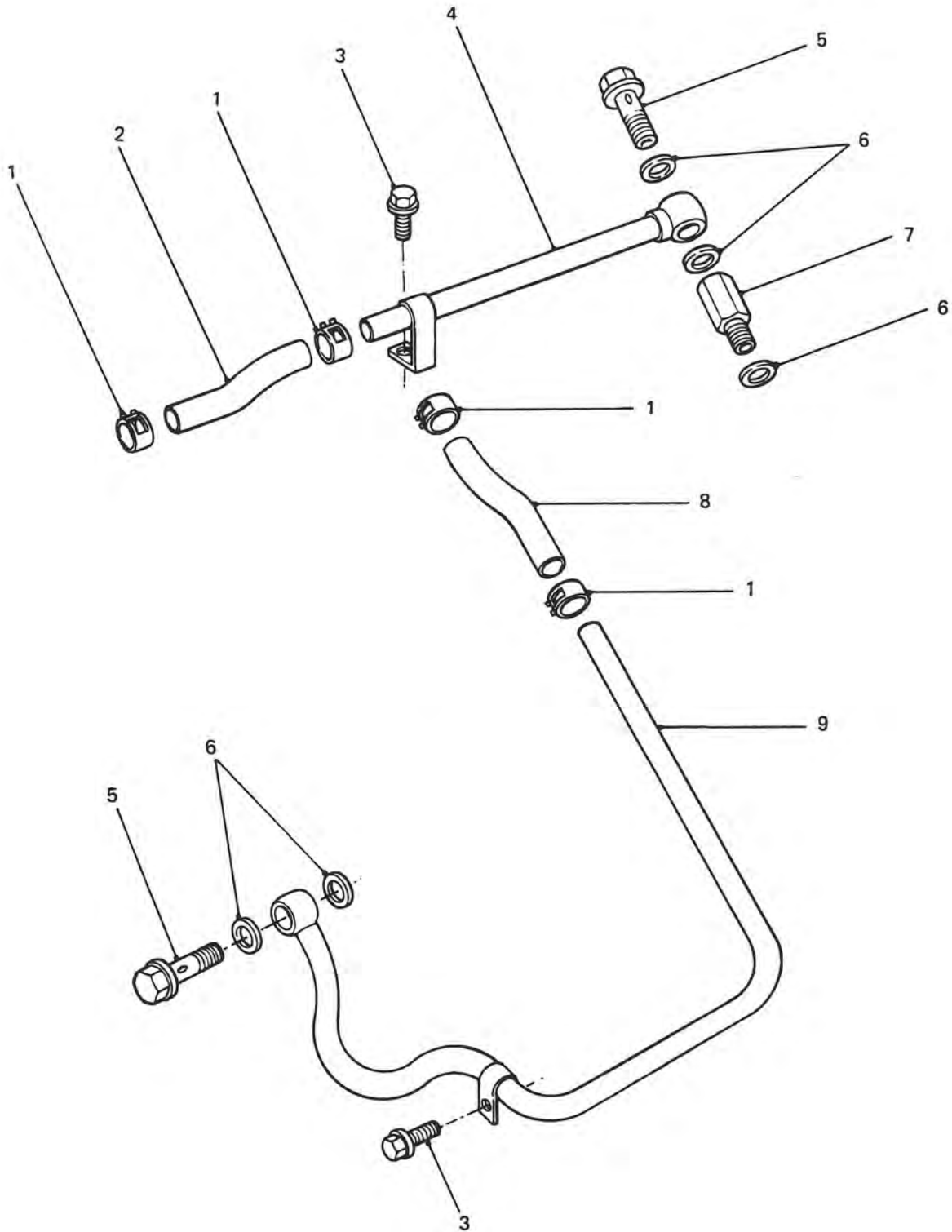
PERENTIE LAND ROVER PARTS LIST

<u>ITEM</u>	<u>PART NO.</u>	<u>DESCRIPTION</u>	<u>NSN</u>	<u>DERIVATIVE CODE</u>								
				<u>2185</u>	<u>2186</u>	<u>2208</u>	<u>2209</u>	<u>2210</u>	<u>2211</u>	<u>2212</u>	<u>2219</u>	<u>CP</u>
1	8943829000	TURBOCHARGER ASSY (INCL ITEMS 2-21)	2950-66-128-5623	1	1	1	1	1	1	1	1	1
2	HYM452	HOUSING-COMPRESSOR		1	1	1	1	1	1	1	1	1
3	NSS											
4	NSS											
5	NSS											
6	NSS											
7	NSS											
8	NSS											
9	NSS											
10	JSS											
11	NSS											
12	NSS											
13	NSS											
14	NSS											
15	NSS											
16	NSS											
17	NSS											
18	NSS											
19	NSS											
20	NSS											
21	IYM454	HOUSING-TURBINE		1	1	1	1	1	1	1	1	1
	HYM453	HOUSING-CENTRE-ROTATNG		1	1	1	1	1	1	1	1	1

CHANGE POINT

ARN INTRODUCTION

GROUP DLA



TURBOCHARGER WATER COOLING LINES AND FITTINGS

PERENTIE LAND ROVER PARTS LIST

<u>ITEM</u>	<u>PART NO.</u>	<u>DESCRIPTION</u>	<u>NSN</u>	<u>DERIVATIVE CODE</u>								<u>CP</u>
				<u>2185</u>	<u>2186</u>	<u>2208</u>	<u>2209</u>	<u>2210</u>	<u>2211</u>	<u>2212</u>	<u>2219</u>	
1	8942215190	CLIP-HOSE	4730-66-128-5580	4	4	4	4	4	4	4	4	
2	8943287950	HOSE-WATER-INLET-TURBO	4720-66-128-5629	1	1	1	1	1	1	1	1	
3	9019708160	BOLT-PIPE	5306-66-128-5625	2	2	2	2	2	2	2	2	
4	8944619642	PIPE-WATER-INLET-TURBO		1	1	1	1	1	1	1	1	
5	8944551440	EYEBOLT	4730-66-128-5626	2	2	2	2	2	2	2	2	
6	9095714140	GASKET	5310-66-128-5627	5	5	5	5	5	5	5	5	
7	8944619651	ADAPTOR-WATER	4730-66-128-5628	1	1	1	1	1	1	1	1	
8	8943217370	HOSE-WATER-OUTLET-TURBO	4720-66-128-5624	1	1	1	1	1	1	1	1	
9	8943823610	PIPE-WATER-OUTLET-TURBO		1	1	1	1	1	1	1	1	

GE POINT

ARN INTRODUCTION