

ROVER AUSTRALIA PARTS BOOK FOR AUSTRALIAN ARMY LAND ROVER 6x6 BUSHRANGER VARIANTS PARTS LIST

Copyright of this document is retained by Land Rover Australia. The document dated 1998 contains the parts utilised on the vehicles at that point in time. Some parts may have been superseded or changed since that time.

This document has been download from the Registry of Ex Military Land Rovers at <http://www.remlr.com> . All files available from this site are free of charge.

If you have paid for this document please report where you purchased it from to the Registry of Ex Military Land Rovers Inc.



ROVER AUSTRALIA



ROVER AUSTRALIA PARTS AUSTRALIAN ARMY BUSHRANGER PHASE 1 6 X 6 VEHICLES INTERIM PARTS LIST

Copyright 1998 Rover Australia Pty Ltd ACN 004 352 238
All rights reserved. No part of this publication may be produced,
stored in a retrieval system, transmitted, loaned, resold, in any
form or by any means, electronic, mechanical, photocopying,
recording or otherwise, without the written permission of
Rover Australia Pty Ltd.

PUBLICATION No.
PUBR 005



BUSHRANGER PHASE 1

Interim Parts List

INTRODUCTION

This document contains a listing of those parts that are peculiar to the Bushranger Land Rover 6 x 6 Mortar Carrier (02225), Assault Pioneer (02226) and the Infantry Carrier (02228).

The document is divided into three groups, one for each derivative. Each group is identified by derivative code, ie 02225, 02226 & 02228 and an identification plate showing an outline drawing of the relevant vehicle.

This document is not a complete RPS and should therefore be read in conjunction with the relevant Parent RPS.

ILLUSTRATIONS

In some cases of 'handed' items, only one side is illustrated.

Where possible, non illustrated parts have an extended description to further identify function of part.

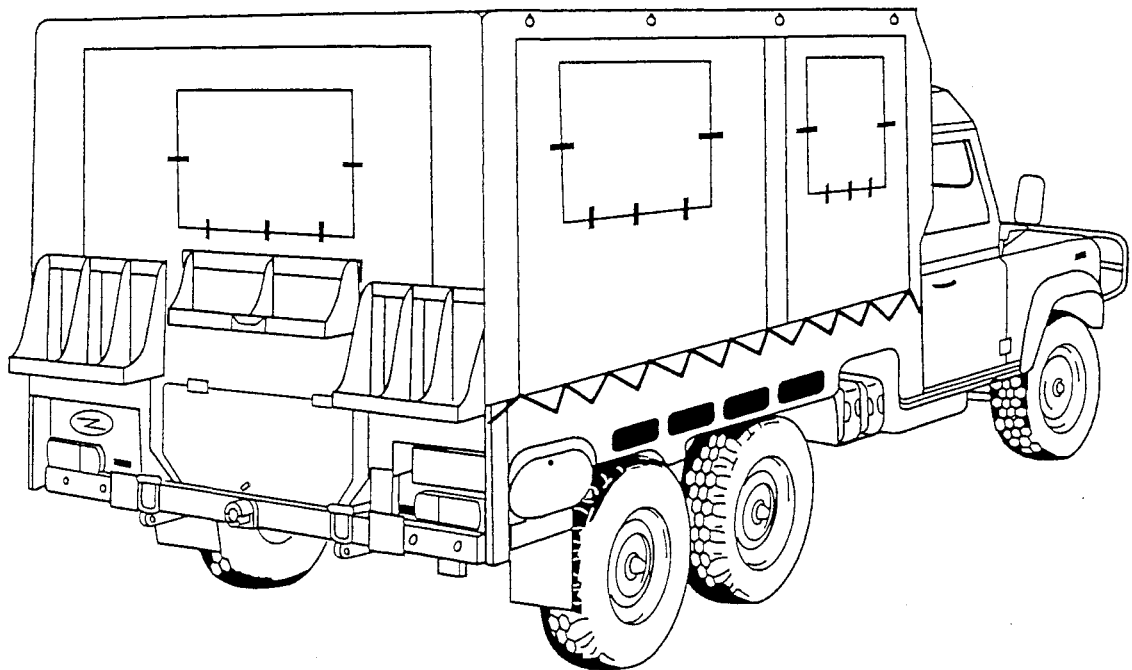
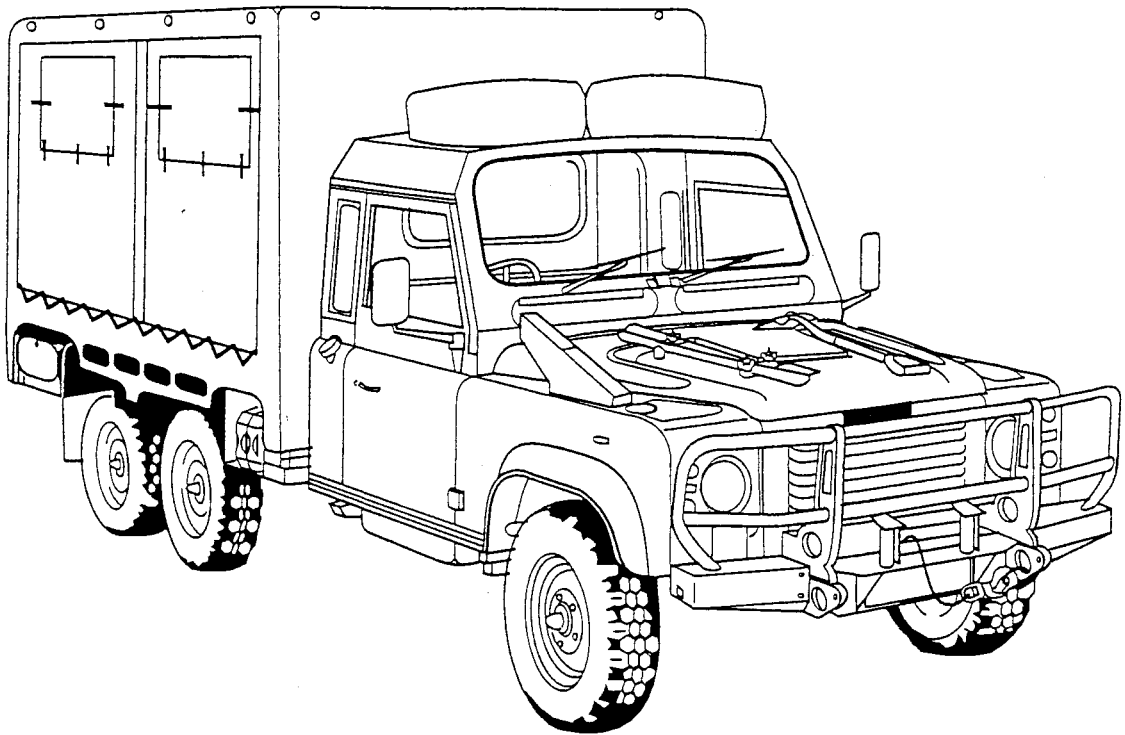
ERRORS

The document is not exhaustive and is only intended as an interim document pending the publication of individual derivative RPS.

Rover Australia would appreciate notification of any errors or omissions detected in this listing in order that later issues may be corrected.

Please contact Rover Australia by fax on 02 9687 0248

13.3.98



**TRUCK, ASSAULT PIONEER, LIGHT,
WINCH, MC2, LAND ROVER 110 6 X 6.**

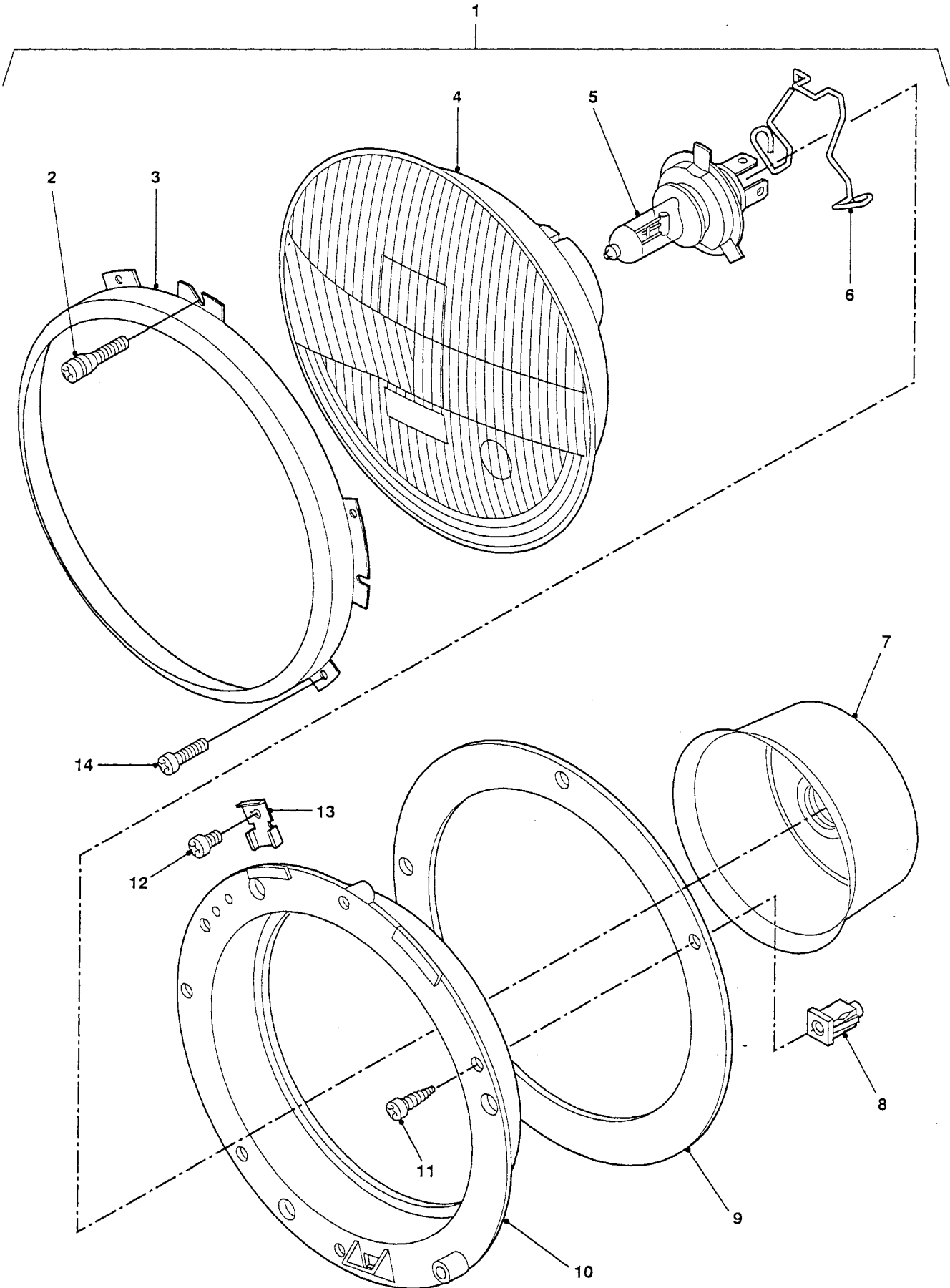
INTENTIONALLY

LEFT

BLANK

Bush Ranger Land Rover Group Index ListDerivative code - INTERIM RPIL02225

<u>Group</u>	<u>Group Description</u>
QJA	HEADLAMP ASSEMBLY
QJC	FRONT PARK AND TURN INDICATOR LAMPS
RH	SPARE TYRE RACK
SLA	REAR SEAT BELTS
SR	CANOPY
SS	REAR SEAT ASSEMBLY
W	MODULE ASSEMBLY - ASSAULT PIONEER
WA	FRAME AND FLOOR
WB	ROOF ASSEMBLY
WC	ROLL OVER PROTECTION
WE	INTERIOR FITTINGS - MODULE
WF	EXTERIOR FITTINGS - MODULE
WG	REAR SEAT FRAME ASSEMBLY
WJ	FRONT CAGE ASSEMBLY
WJA	UPPER SIDE DOOR ARRANGEMENT
WJB	LOWER SIDE DOOR ARRANGEMENT
WJC	REAR CAGE ARRANGEMENT

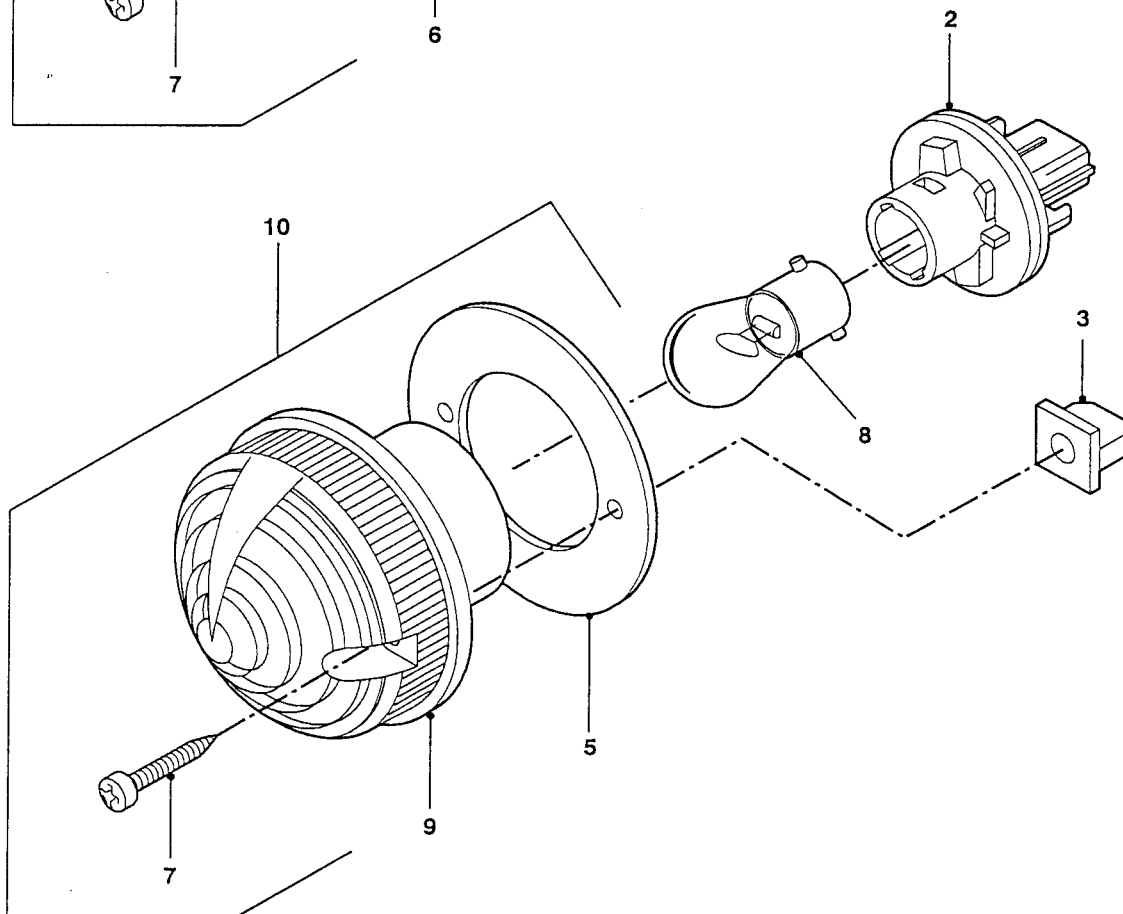
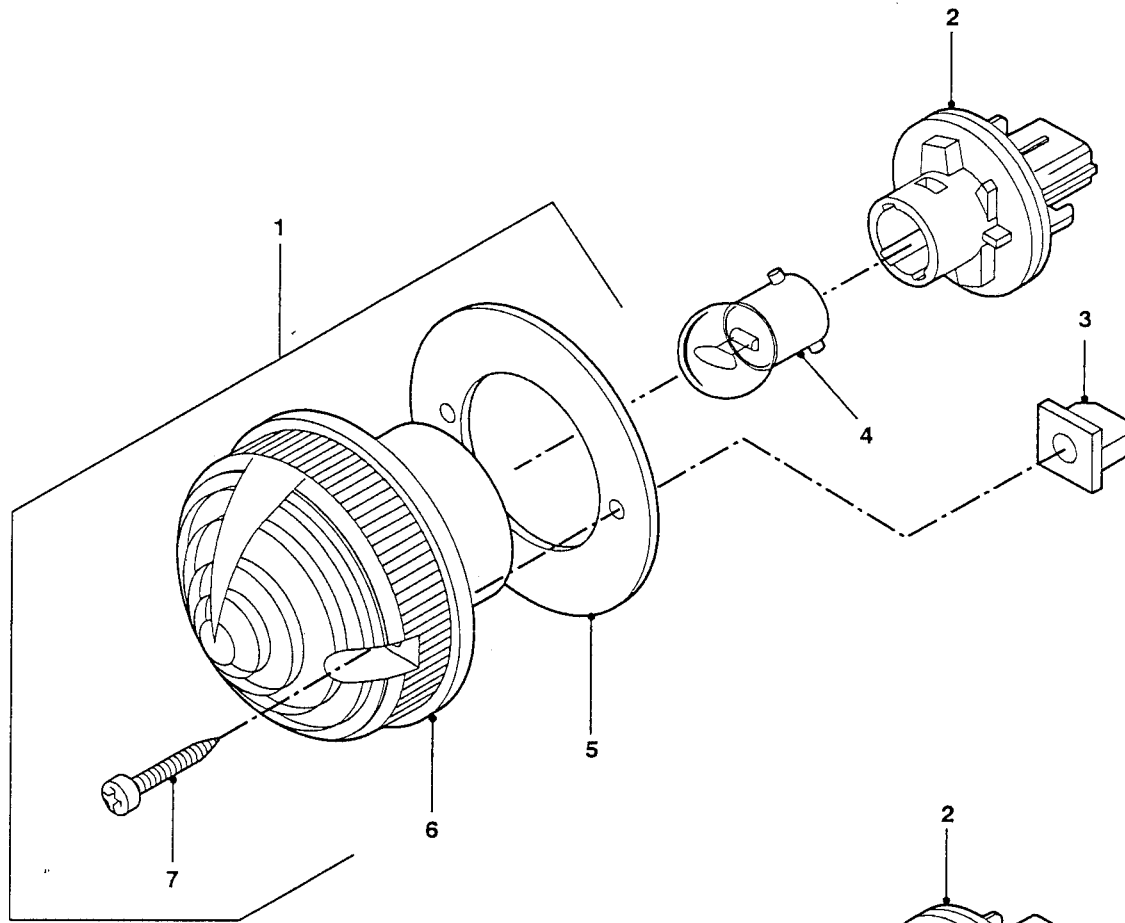


HEADLAMP ASSEMBLY

Bush Ranger Land Rover Parts ListDerivative code - INTERIM RPIL02225

QJA HEADLAMP ASSEMBLY

<u>Item</u>	<u>Part No.</u>	<u>NSN</u>	<u>Description</u>	<u>Quantity</u>
1	AMR2344		HEADLAMP ASSEMBLY	2
2	NSS		SCREW, ADJUSTING & FIXING LIGHT UNIT TO BODY.	4
3	STC1485		BEZEL, HEADLAMP, BLACK.	2
4	STC1209		UNIT, LIGHT.	2
5	R589783	6240-66-108-4835	GLOBE, HEADLAMP H4, 60/55 WATT, QUARTZ HALOGEN.	2
6	STC1851		CLIP, SECURING, GLOBE TO LIGHT UNIT.	2
7	STC951		COVER, INSULATION, HEADLAMP GLOBE.	2
8	R79501		NUT, LOKUT, SPECIAL PLASTIC, No. 8 DRIVE SCREW.	8
9	STC1612		GASKET, HEADLAMP BODY.	2
10	STC1613		BODY, HEADLAMP	2
11	AB608047L		SCREW, TAPPING, THREAD FORMING, STEEL PAN HD, RECESSED, No. 8 X 1/2 IN.	8
12	NSS		SCREW, FIXING, LIGHT UNIT TO BODY.	2
13	NSS		CLIP, FIXING, LIGHT UNIT TO BODY.	6
14	NSS		SCREW, FIXING, BEZEL TO BODY.	6
	STC1614		KIT, FIXINGS.	2

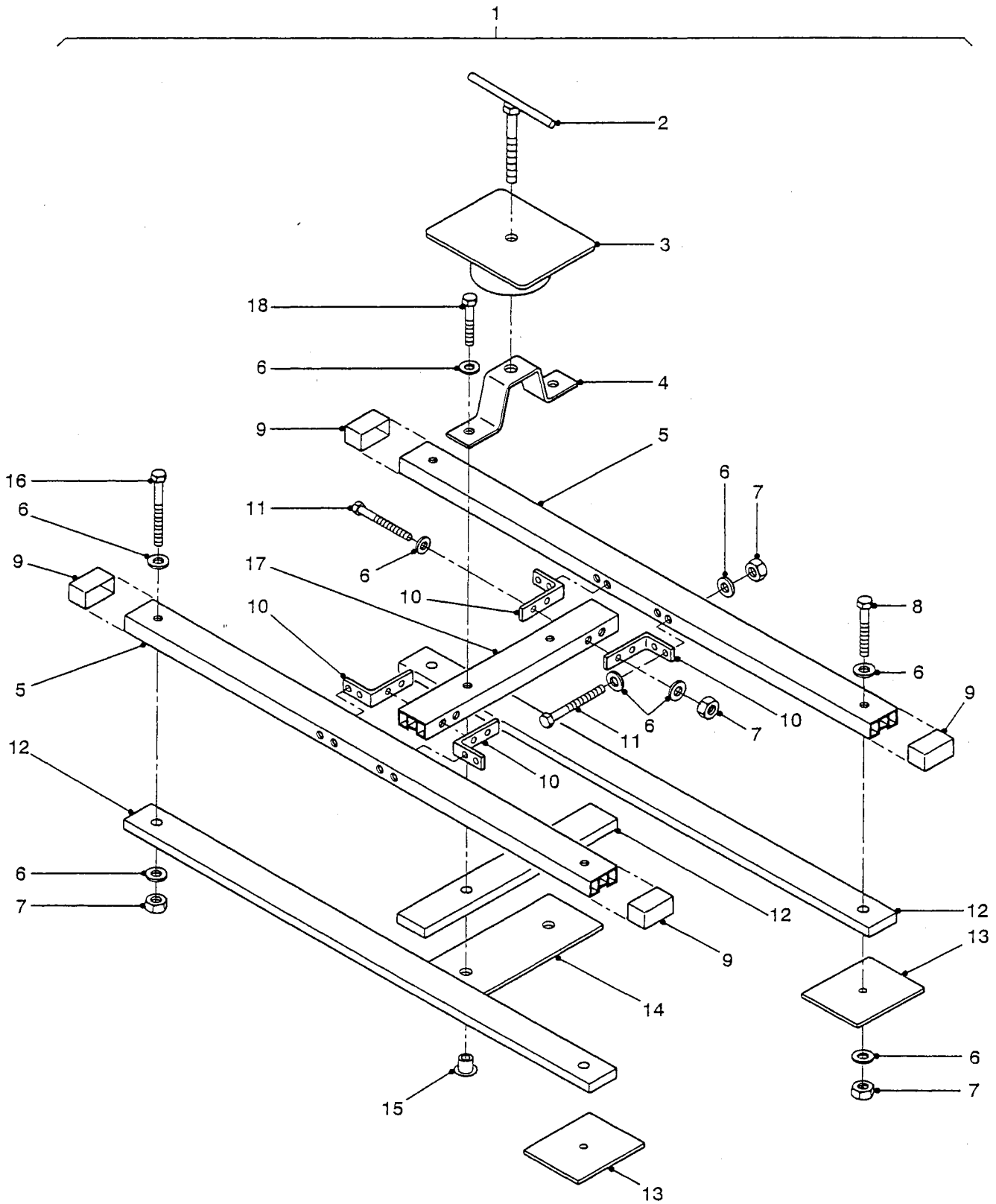


**FRONT PARK AND TURN
INDICATOR LAMPS**

Bush Ranger Land Rover Parts ListDerivative code - INTERIM RPIL02225

QJC FRONT PARK AND TURN INDICATOR LAMPS

<u>Item</u>	<u>Part No.</u>	<u>NSN</u>	<u>Description</u>	<u>Quantity</u>
1	STC1227		LENS AND BODY ASSY, FRONT PARK LAMP	2
2	XBP100180		GLOBE HOLDER	4
3	RTC3745		LOCKUT	8
4	R10211		GLOBE, SINGLE FILAMENT, 12V, 6W	2
5	NSS		GASKET, LENS AND BODY ASSY.	4
6	NSS		LENS AND BODY, FRONT PARK LAMP	2
7	NSS		SCREW, LENS AND BODY	8
8	R264591		GLOBE, SINGLE FILAMENT, 12V, 21W	2
9	NSS		LENS AND BODY, FRONT INDICATOR	2
10	STC1228		LENS AND BODY ASSY, FRONT INDICATOR	2

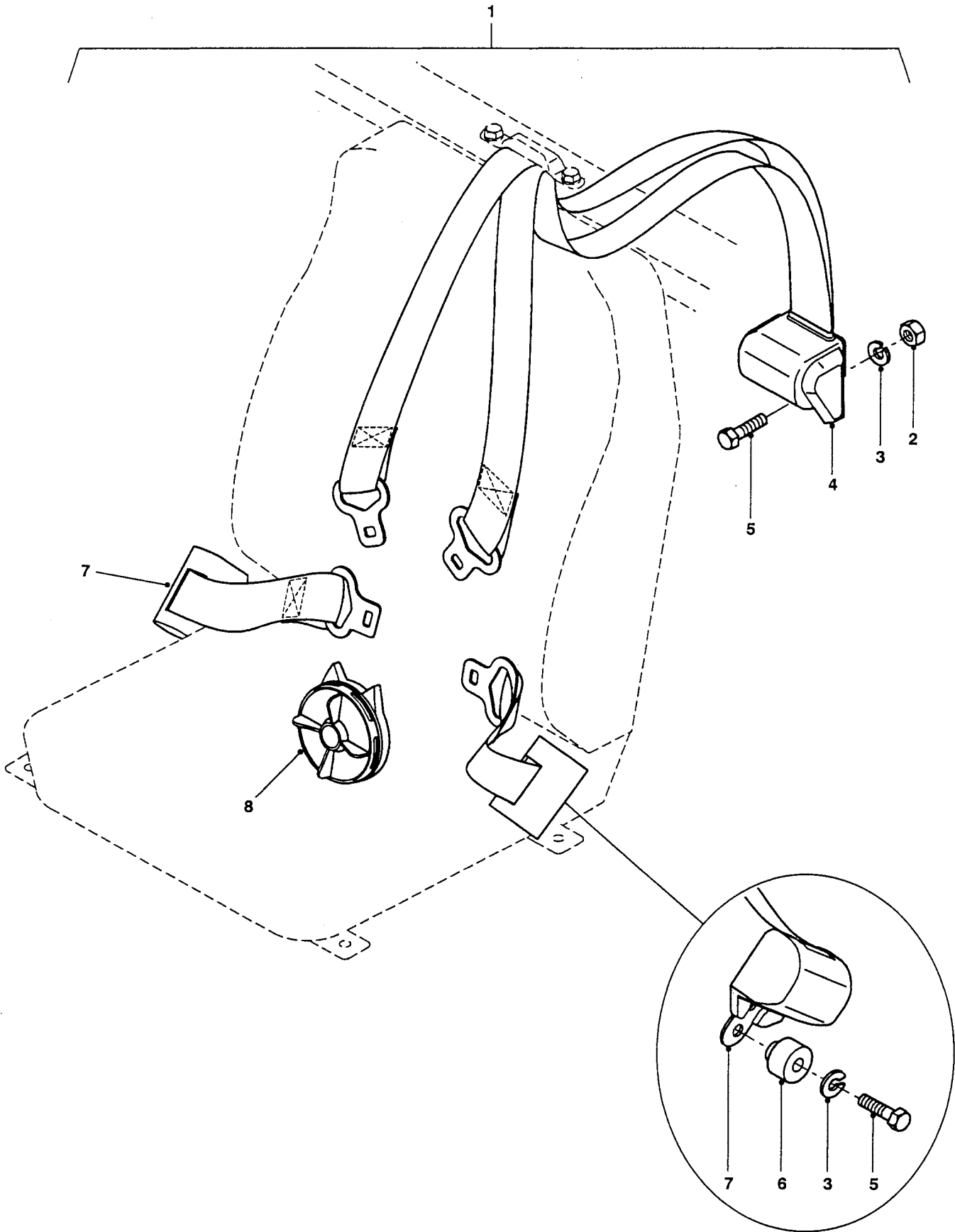


SPARE TYRE RACK

Bush Ranger Land Rover Parts ListDerivative code - INTERIM RPIL02225

RH SPARE TYRE RACK

<u>Item</u>	<u>Part No.</u>	<u>NSN</u>	<u>Description</u>	<u>Quantity</u>
1			SPARE WHEEL CARRIER ASSEMBLY	2
2	FYD0073/5	5306-66-142-8885	TEE BOLT	1
3	FYD0073/4	2590-66-142-8881	CLAMP, SPARE WHEEL RETAINING	1
4	FYD0073/3		BRACKET, SPARE WHEEL RETAINING	1
5	FYD0073/1		RAIL, LONGITUDINAL	2
6	WA108054		WASHER, FLAT, M8	34
7	NZ108044		NUT, SELF LOCKING, M8	12
8	BH108121		BOLT, HEX. HD., M8 BY 60 MM LG.	2
9	HYM948		CAP, PLASTIC, END 750 SEMI RIGID PLASTICISED PVC, 89 DURO, BLACK.	4
10	FYD0073/6		BRACKET, RETAINING	4
11	BH108151		BOLT, HEX. HD., M8 BY 75 MM LG.	12
12	FYD0073/7		MOUNT, RUBBER, KIT	1
13	FYD0073/8		SPACER, PLATE	2
14	FYD0073/9		SPACER PLATE, CENTRE	1
15	FYD0747		NUT, SOCKET, M8	2
16	BH108171		BOLT, HEX. HD., M8 BY 85 MM LG.	2
17	FYD0073/2		RAIL, TRANSVERSE	1
18	BH10810		BOLT, HEX. HD., M8 BY 50 MM LG.	2

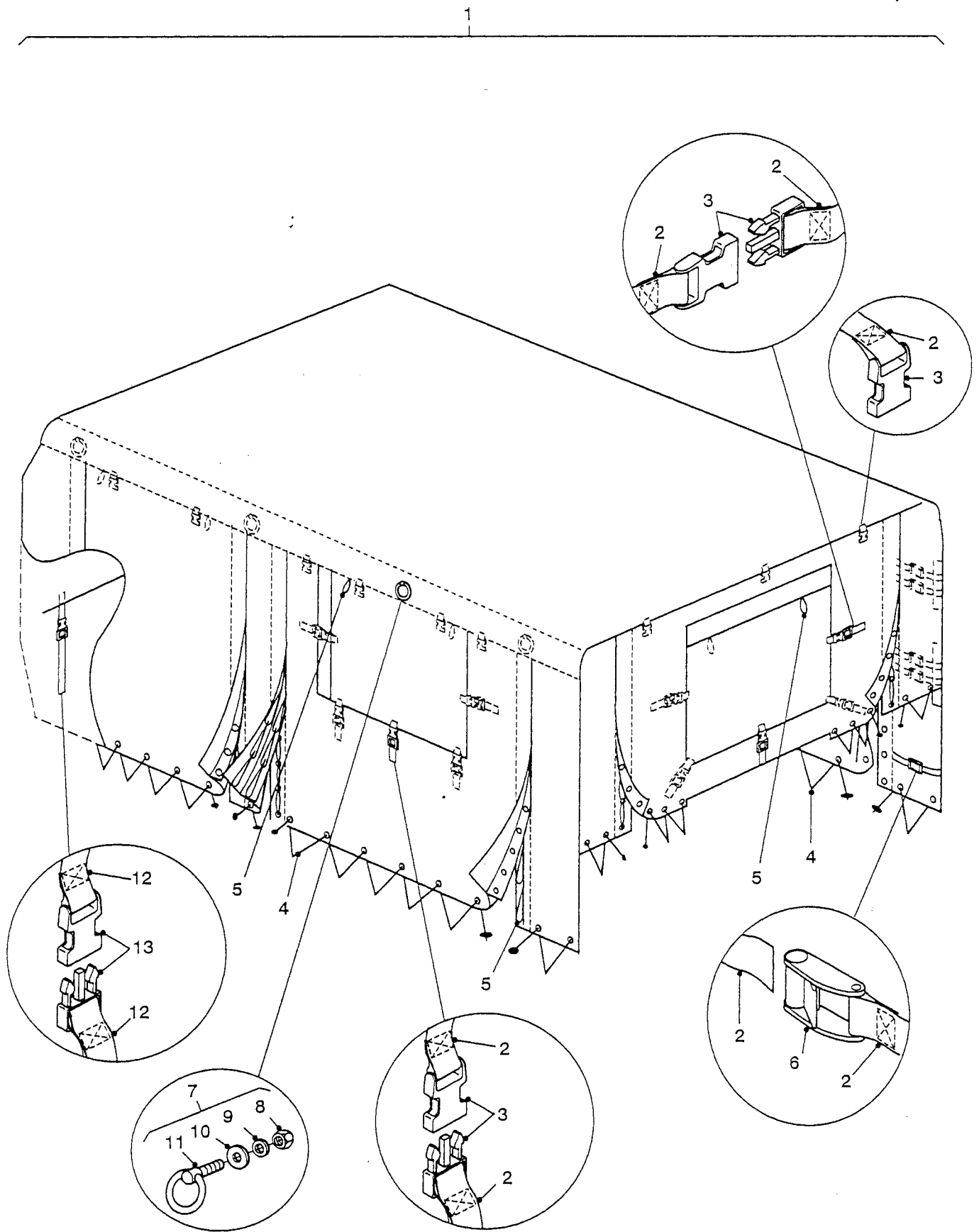


REAR SEAT BELTS

Bush Ranger Land Rover Parts ListDerivative code - INTERIM RPIL02225

SLA REAR SEAT BELTS

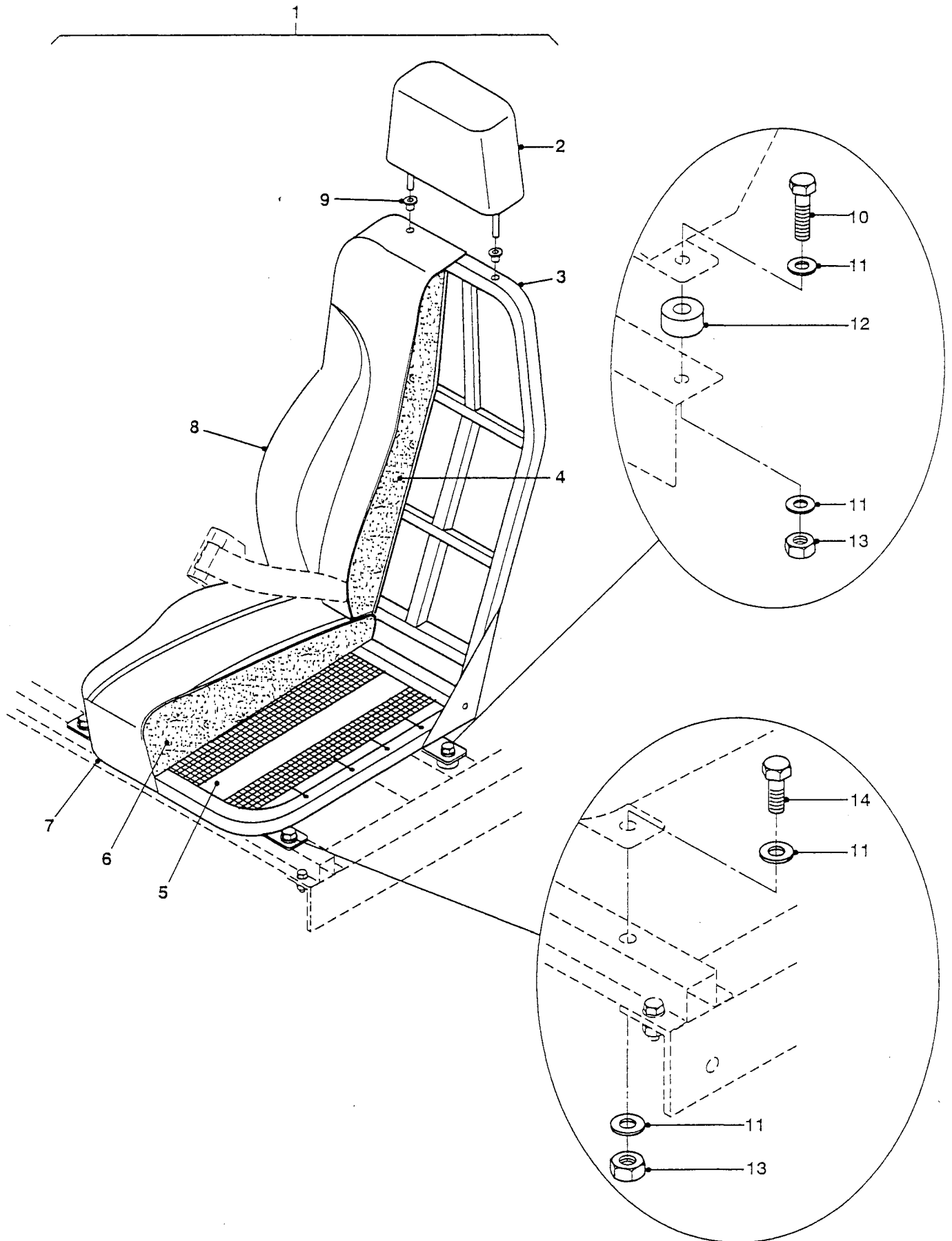
<u>Item</u>	<u>Part No.</u>	<u>NSN</u>	<u>Description</u>	<u>Quantity</u>
1	HYG7604		RESTRAINT SYSTEM, RETRACTABLE, FULL HARNESS, FIXED ANCHOR	8
2	HYG7608		NUT, PLAIN	8
3	HYG7607	5310-99-138-9228	WASHER, LOCK	24
4	HYG7605	2540-66-139-2034	HARNESS ASSEMBLY, REEL AND SHIELD	8
5	HYG7606		BOLT, HEX. HD., 7/16 IN., 20 BY 1 IN. LG., GRADE 8	24
6	HYG7609		BUSHING, RETRACTOR	16
7	HYG7610		LAP BELT ASSY.	16
8	HYG7611		BUCKLE	8



CANOPY - ASS

Bush Ranger Land Rover Parts ListDerivative code - INTERIM RPIL02225

SR	CANOPY			
<u>Item</u>	<u>Part No.</u>	<u>NSN</u>	<u>Description</u>	<u>Quantity</u>
1	GYD605	2540-66-140-7486	CANOPY ASSEMBLY, ASSAULT PIONEER	1
2	NSS		WEBBING, DRAB OLIVE, 25 MM W., 40 MR. ROLL	1
3	HYM949		SIDE RELEASE, DRAB OLIVE	42
4	NSS		SHOCK CORD, 6 MM DIA., SOLID BLACK, 100 MR. ROLL	1
5	NSS		CORD, DBG DIY DIA. 4 MM POLY ROPE KINNEARS	1
6	HYM950		CAMLOCK, PLASTIC	6
7	GYD515		RING BOLT ASSEMBLY	8
8	NZ304041		NUT, SELF LOCKING, HEX., 1/4 IN., BSW, ZINC PLATED, BLACK	10
9	WA106044		WASHER, FLAT, 1/4 IN., ZINC PLATED, BLACK	10
10	WJ600041L		WASHER, FLAT, 22.2 MM O.D. BY 6.8 MM I.D., ZINC PLATED, BLACK	10
11	GYD514		RINGBOLT, 35 MM O.D., 25 MM I.D., BOLT 21 MM LG., BLACK OXIDE COATING	1
12	NSS		WEBBING, BLACK, 25 MM W., 40 MR. ROLL	1
13	HYM951		SIDE RELEASE, BLACK	5

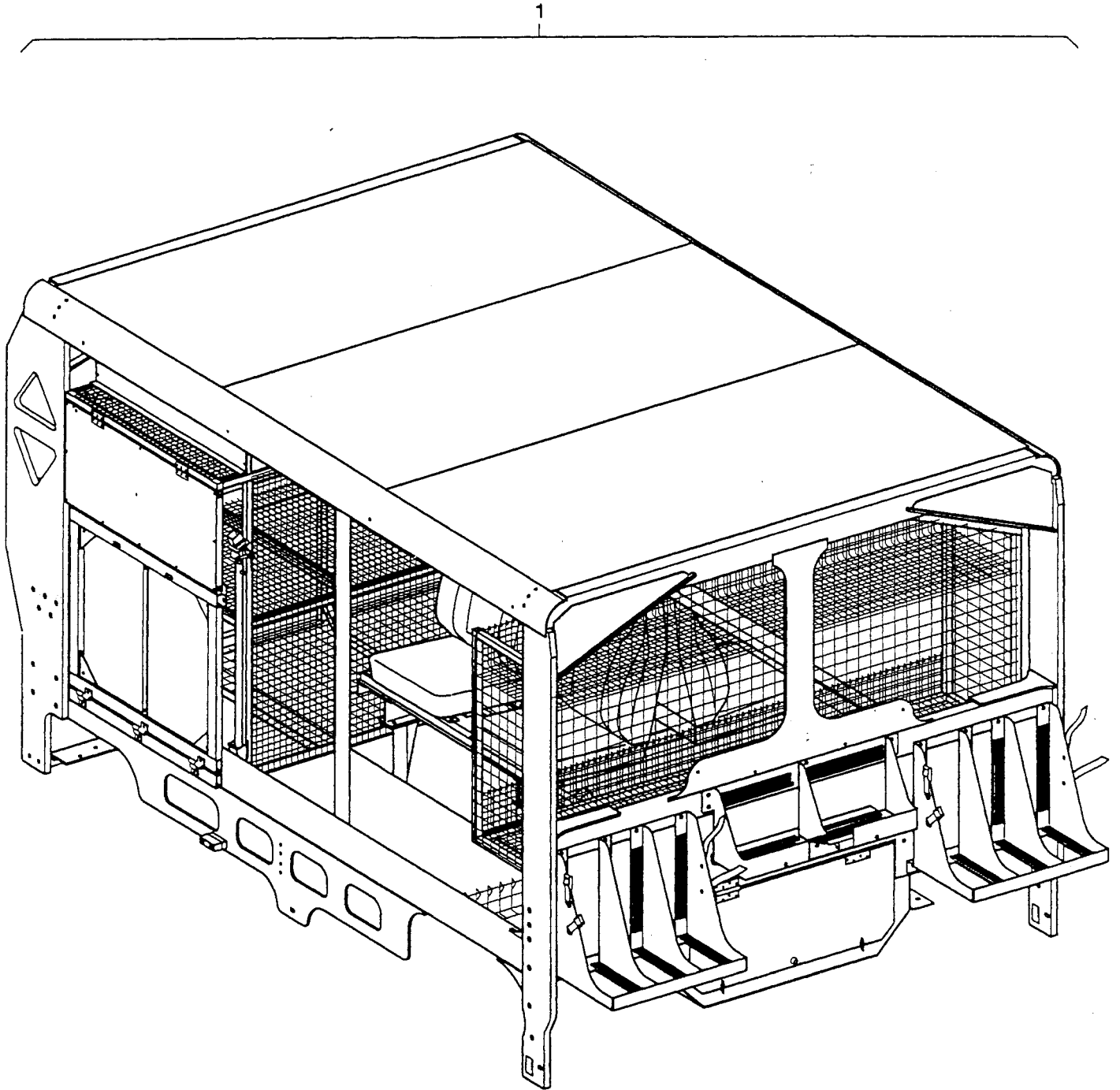


REAR SEAT ASSEMBLY

Bush Ranger Land Rover Parts ListDerivative code - INTERIM RPIL02225

SS REAR SEAT ASSEMBLY

<u>Item</u>	<u>Part No.</u>	<u>NSN</u>	<u>Description</u>	<u>Quantity</u>
1	HYM891		SEAT ASSEMBLY, PASSENGER, SIDE, REAR	8
	BYG8019	2540-66-142-8882	COVER, PROTECTIVE, SEAT BACK	8
	BYG8023	2540-66-142-8883	COVER, PROTECTIVE, SEAT SQUAB	8
2	HYM870		HEAD REST, SEAT, 290 MM LG. BY 175 MM BY 65 MM THK., WITH 2 GUIDE RAILS, 8 MM DIA.	1
3	NSS		FRAME, SEAT BACK, STEEL	1
4	NSS		FOAM, SEAT, SQUAB	1
5	NSS		WEBBING, SEAT BASE	1
6	NSS		FOAM, SEAT, BASE	1
7	HYM959		COVER, SEAT, BASE	1
8	HYM960		COVER, SEAT, SQUAB	1
9	HYM871		BUSH, HEADREST TRIM, 25 MM FLANGE DIA., 10 MM I.D. HOLE	2
10	BH110091L		BOLT, HEX HD., M10 BY 45 MM LG., ZINC PLATED, FE/ZN, BLACK	16
11	WA110061L		WASHER, FLAT, M10, ZINC PLATED, FE/ZN, BLACK	64
12	FYD0045		SPACER, SEAT, POLYURETHANE	16
13	NY110041L		NUT, SELF LOCKING, HEX., M10, ZINC PLATED, FE/ZN, BLACK	64
14	SH110301L		BOLT, HEX. HD., M10 BY 30 MM LG., ZINC PLATED, FE/ZN, BLACK	16



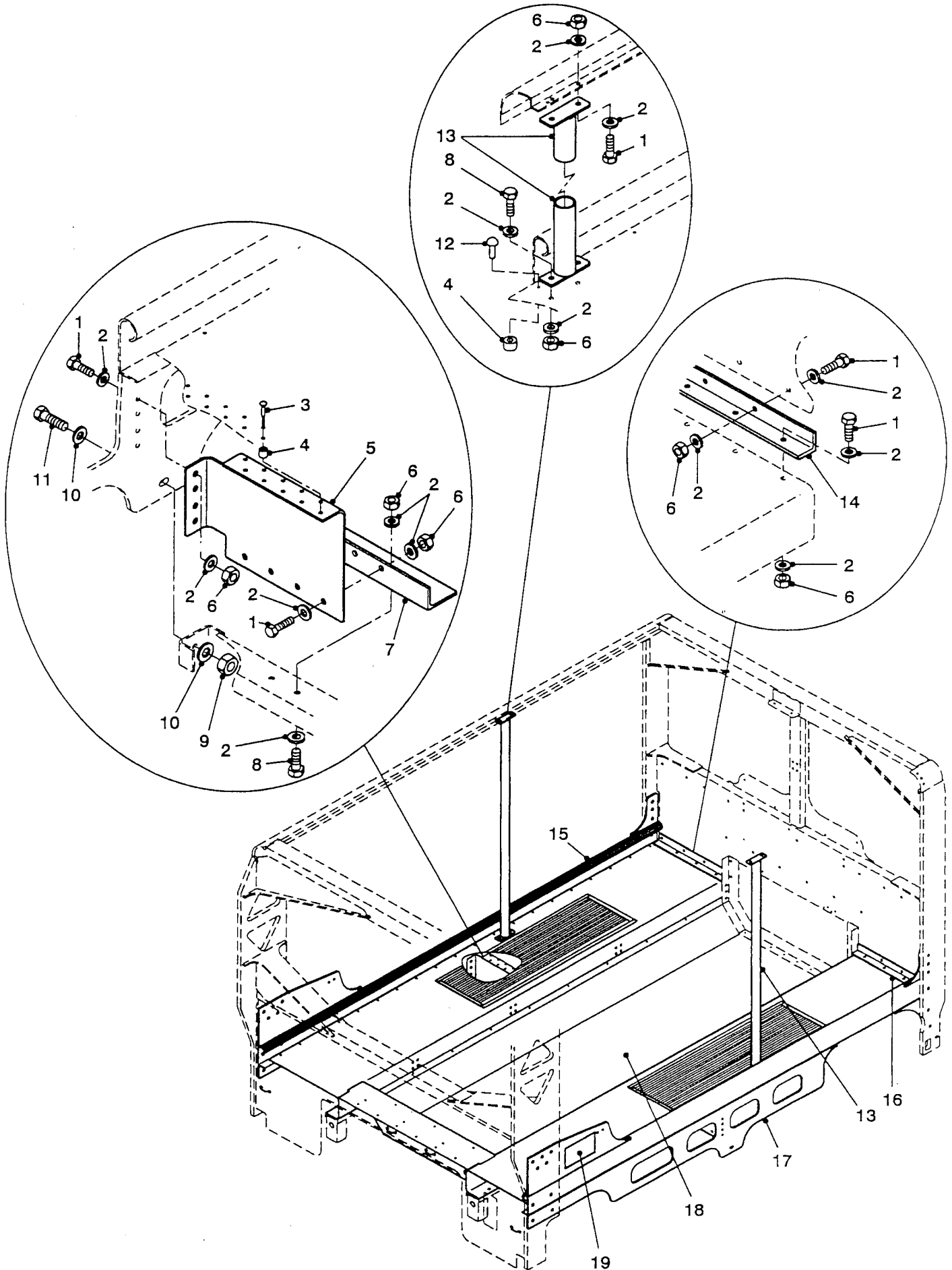
MODULE ASSEMBLY - ASSAULT PIONEER ^A

Bush Ranger Land Rover Parts List

Derivative code - INTERIM RPIL02225

W MODULE ASSEMBLY - ASSAULT PIONEER

<u>Item</u>	<u>Part No.</u>	<u>NSN</u>	<u>Description</u>	<u>Quantity</u>
1			MODULE ASSEMBLY, ASSAULT PIONEER	1

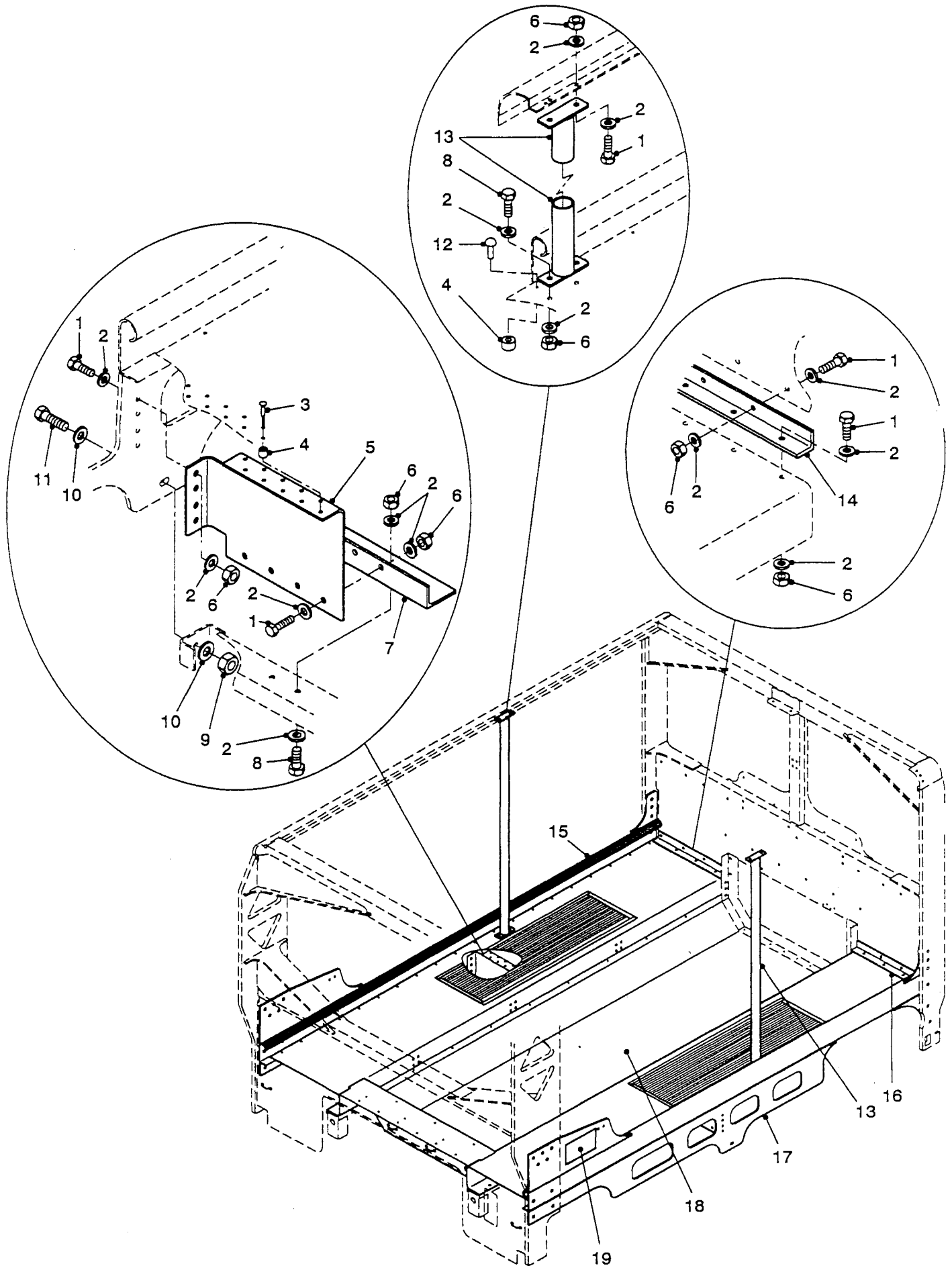


FRAME AND FLOOR

Bush Ranger Land Rover Parts ListDerivative code - INTERIM RPIL02225

WA FRAME AND FLOOR

<u>Item</u>	<u>Part No.</u>	<u>NSN</u>	<u>Description</u>	<u>Quantity</u>
1	SH110061		BOLT, HEX. HD., M10 BY 30 MM LG., ZINC PLATED, BLACK	32
2	WA110064		WASHER, FLAT, STEEL, M10, ZINC PLATED, BLACK	80
3			RIVET, FLUSH HD., 1/4 IN. BY 0.810 IN. LG., STEEL, ZINC PLATED	20
4	HYM931		COLLAR, FULL, AVDELOK, 1/4 IN., STEEL, ZINC PLATED	104
5	FYD0082/1L		GUSSET, UNDER FLOOR, 3.5 MM, ALUMINIUM PLATE, 5083 H321, LEFT	2
	FYD0082/1R		GUSSET, UNDER FLOOR, 3.5 MM, ALUMINIUM PLATE, 5083 H321, RIGHT	1
6	NZ110041		NUT, SELF LOCKING, HEX., M10, ZINC PLATED, BLACK	40
7	FYD1013/2		ANGLE, INTERMEDIATE UNDER FLOOR PLATE TO CHASSIS, 76.2 MM BY 50.8 MM BY 6.35 MM, ALUMINIUM L 6061 T6, 433 MM LG., RIGHT	2
8	SH110051		BOLT, HEX. HD., M10 BY 25 MM, ZINC PLATED, BLACK	8
9	NY110041	5310-99-122-5498	NUT, NYLOC M10	14
10	WA110061		WASHER, FLAT, STEEL, M12, ZINC PLATED, BLACK	4
11	BH112081		BOLT, HEX. HD., M12 BY 40 MM LG., ZINC PLATED, BLACK	2
12	HYM930		RIVET, BRAZIER HD., 1/4 IN. BY 0.312 IN. LG., STEEL, ZINC PLATED	84
13	FYD0070		GRAB HANDLE ASSEMBLY, DIA. 48.4 MM BY 4.47 MM THK. WALL, ALUMINIUM TUBE, 6061 T6 WITH 6 MM PLATE, 5083 H116 WELDED TO EACH END	2

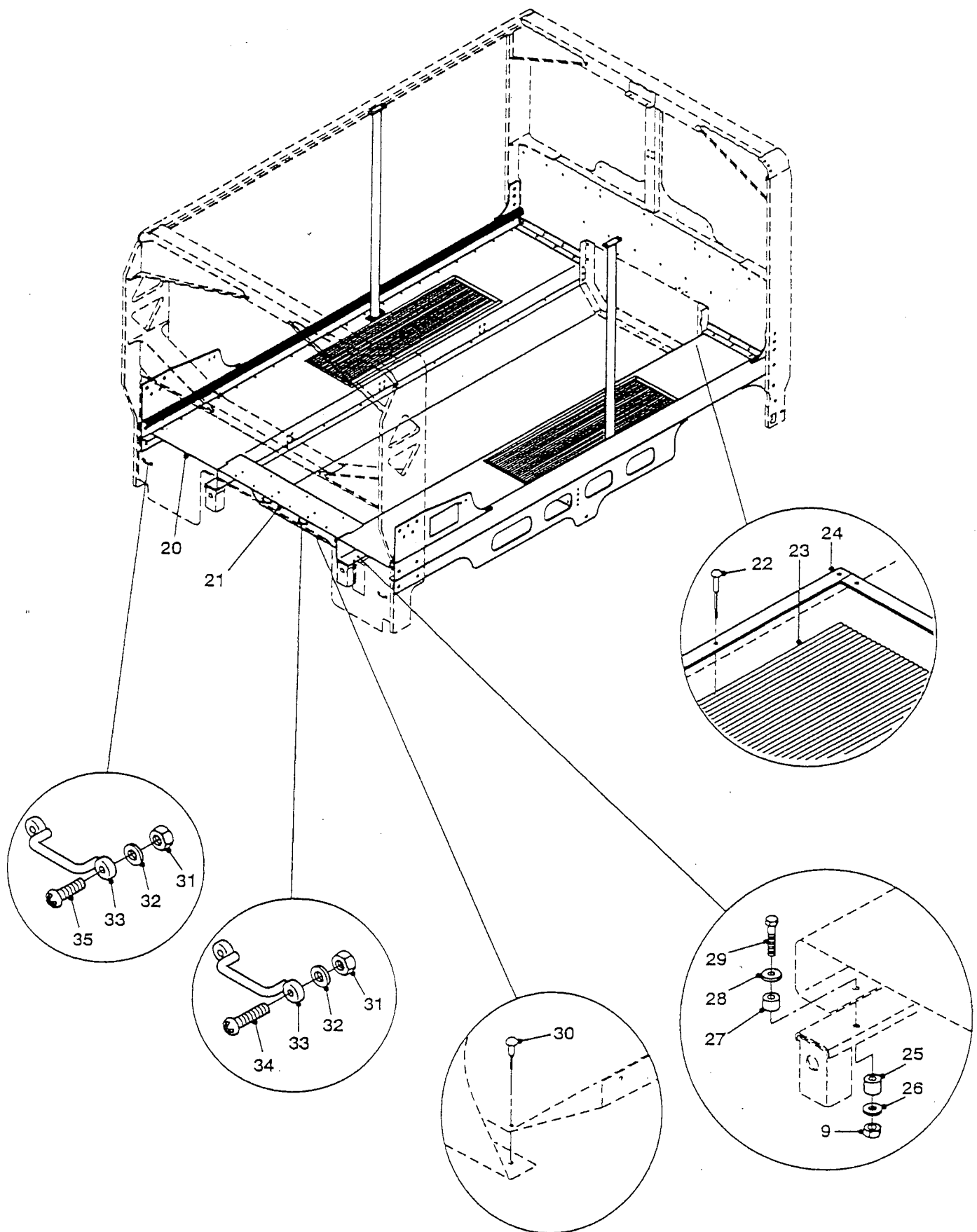


FRAME AND FLOOR

Bush Ranger Land Rover Parts ListDerivative code - INTERIM RPIL02225

WA FRAME AND FLOOR

<u>Item</u>	<u>Part No.</u>	<u>NSN</u>	<u>Description</u>	<u>Quantity</u>
14	FYD1013/5R		ANGLE, FLOOR TO REAR ROPS, 50.8 MM BY 50.8 MM BY 6.35 MM, ALUMINIUM, L 5061 T6, 536 MM LG., RIGHT	1
15	FYD1010/9L		SIDE UNDERRUN ASSEMBLY, LEFT	1
16	FYD1013/5L		ANGLE, FLOOR TO REAR ROPS, 50.8 MM BY 50.8 MM BY 6.35 MM, ALUMINIUM, L 6061 T6, 536 MM LG., LEFT	1
17	FYD1010/9R		SIDE UNDERRUN ASSEMBLY, RIGHT	1
18	FYD0081/1		PRESSING, BELLY, 1.6 MM, ALUMINIUM, 5251 H34, 2770 MM LG.	1
19	GYD509		DECAL, CAMNET	2
20	FYD0080/1R		PRESSING, FLOOR, 3.5 MM, ALUMINIUM, 5083 H321, 3000 MM LG., RIGHT	1
	FYD0080/1L		PRESSING, FLOOR, 3.5 MM, ALUMINIUM, 5083 H321, 3000 MM LG., LEFT	1
21	FYD1914		PRESSING, BELLY END, 2 MM, ALUMINIUM SHEET, 5251 H34	1
22	RA612533		RIVET, 3/16 IN. BY 3/4 IN. LG.	64
23	NSS		MATTING, RUBBER, PEAK RIBBED, 2330 MM BY 420 MM BY 3 MM - 60 DURO,Q BLACK	2
	NSS	8040-99-220-2553	BOSTIK 2402	1
	NSS	5070-66-132-1327	BOSTIK 9101	150
	NSS	8040-66-131-2610	BOSTIK 9913	1
	NSS		MATTING, RUBBER, PEAK RIBBED, BLACK, 3 MM BY 1200 MM BY 10 MR. LG.	1

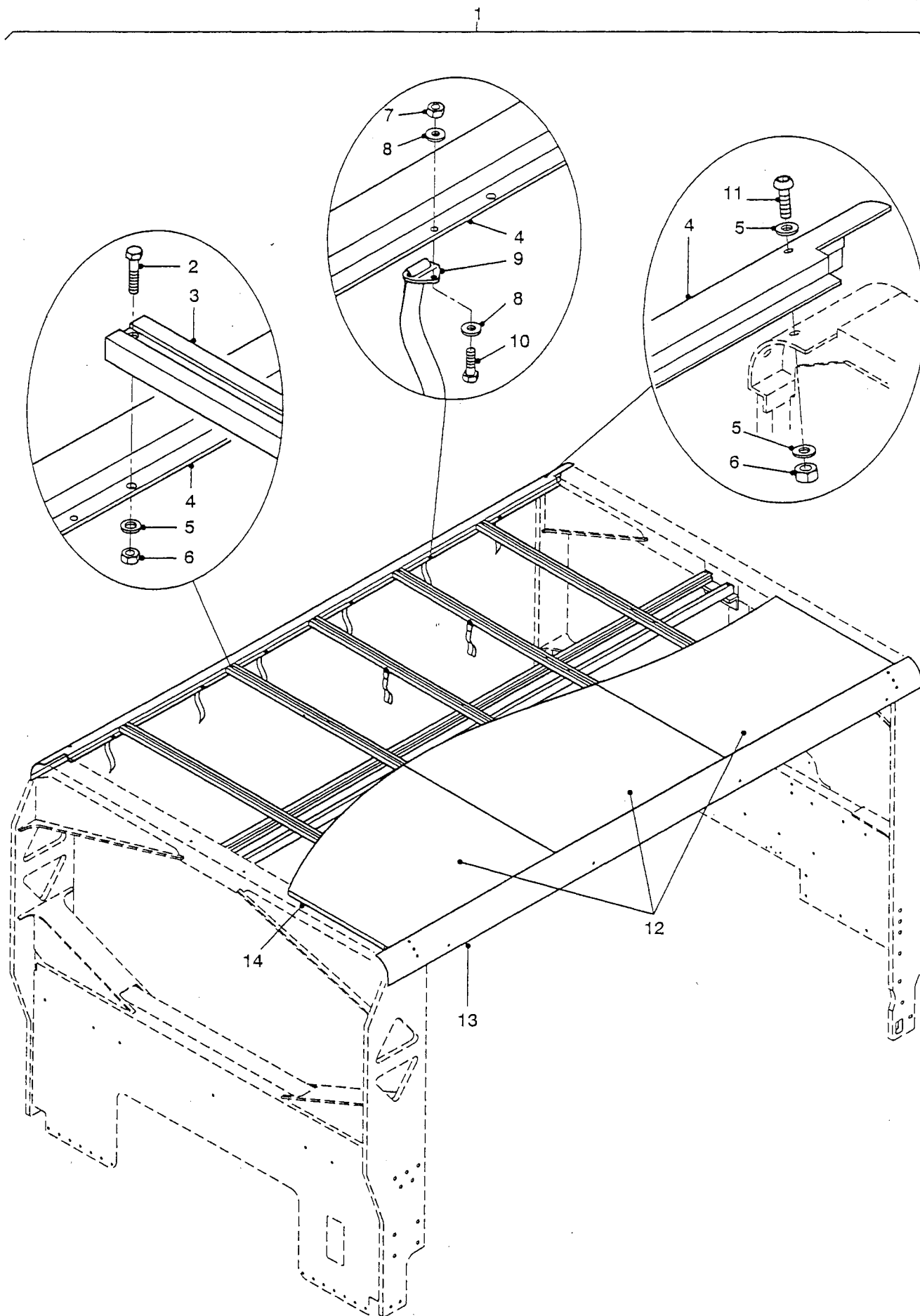


FRAME AND FLOOR

Bush Ranger Land Rover Parts ListDerivative code - INTERIM RPIL02225

WA FRAME AND FLOOR

<u>Item</u>	<u>Part No.</u>	<u>NSN</u>	<u>Description</u>	<u>Quantity</u>
24	NSS		STRIP, TRIM, TABLE EDGE EXTRUSION, ALUMINIUM ALLOY, 8060 T1, 2330 MM LG.	8
	NSS		STRIP, TRIM, TABLE EDGE EXTRUSION, ALUMINIUM ALLOY, 8060 T1, 420 MM LG.	4
	NSS		STRIP, TRIM, TABLE EDGE EXTRUSION, ALUMINIUM ALLOY, 8060 T1	1
25	MYH3705		MOUNT, RESILIENT, POLYURETHANE, LOWER, 23 MM BY 32 MM, 13 MM I.D.	12
26	WJ112001	5310-66-128-5548		24
27	MYH3701		MOUNT RESILIENT, 13 MM BY 30 MM BY 15 MM, POLYURETHANE, UPPER	12
28	MYH3703		WASHER CUPPED, 40 MM BY 12.5 MM	24
29	BH112131		BOLT, HEX. HD., M12 BY 65 MM LG., ZINC PLATED	12
30	HYL8931	5306-66-128-5498	MONOBOLT	52
31	NY105041	5310-99-122-5494	NUT, NYLOC M5	10
32	WA105001	5310-99-122-6474	WASHER, PLAIN, 5 MM I.D.	10
33			BREECHING STAPLE	5
34	SE105161		SCREW, PAN HD., M5 BY 0.8 MM BY 16 MM LG.	6
35	SE105201		SCREW PAN HD., M5 BY 0.8 MM BY 20 MM LG., ZINC PLATED	4

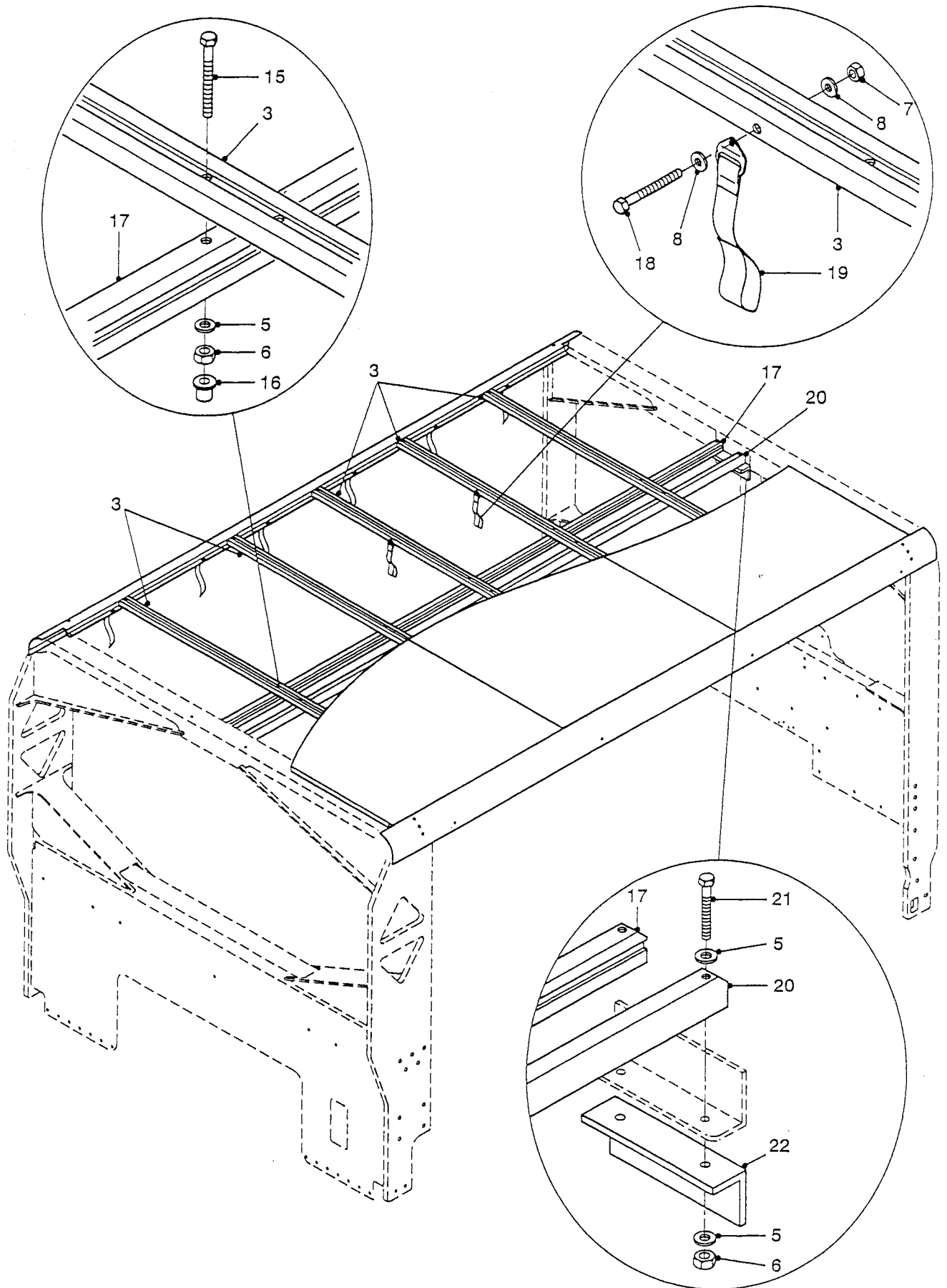


ROOF ASSEMBLY

Bush Ranger Land Rover Parts ListDerivative code - INTERIM RPIL02225

WB ROOF ASSEMBLY

<u>Item</u>	<u>Part No.</u>	<u>NSN</u>	<u>Description</u>	<u>Quantity</u>
1	FYD1016		ROOF ASSEMBLY	1
2	BH108081		BOLT, HEX. HD., M8 BY 40 MM LG., ZINC PLATED, BLACK	2
3	FYD1017/3		BOW, CROSS, ROOF, ALUMINIUM EXTRUSION, P1040R, 6061 T6, PARTITION SUPPORTING, 1946 MM LG.	2
4	FYD1922/8R		CANT RAIL, L.H., ALUMINIUM EXTRUSION, U9756R, 6351 T5, 3158 MM LG.	1
5	WA108001		WASHER FLAT, M8, ZINC PLATED, BLACK	28
6	NY108001		NUT, SELF LOCKING, HEX, M8, ZINC PLATED, BLACK	24
7	NY106001		NUT, SELF LOCKING, HEX, M6, ZINC PLATED, BLACK	16
8	WA106001		WASHER, FLAT, STEEL, M6, ZINC PLATED, BLACK	28
9	FYD1041		STRAP, CANOPY, SIDE TIE-UP	12
	NSS		STRAP, RETAINING, NYLON WEBBING, 25 MM BY 470 MM	1
	NSS		BUCKLE, RETAINING END, 3 MM, M.S. COATED	1
	FYD1041/3		CLIP, MALE, 3 PRONG, PLASTIC, OLIVE DRAB	1
10	BH106051		BOLT, HEX. HD., M6 BY 25 MM LG., ZINC PLATED, BLACK	12
11	SB108401		SCREW, BUTTON HEAD, M8 BY 40 MM LG., ZINC PLATED, BLACK	10
12	FYD1017/2		SHEET, ROOF, 1.6 MM ALUMINIUM SHEET, 5251 H34, 2004 MM BY 1000 MM	3
13	FYD1922/8L		CANT RAIL, R.H., ALUMINIUM EXTRUSION, U9756R, 6351 T5, 3158 MM LG., LEFT	1

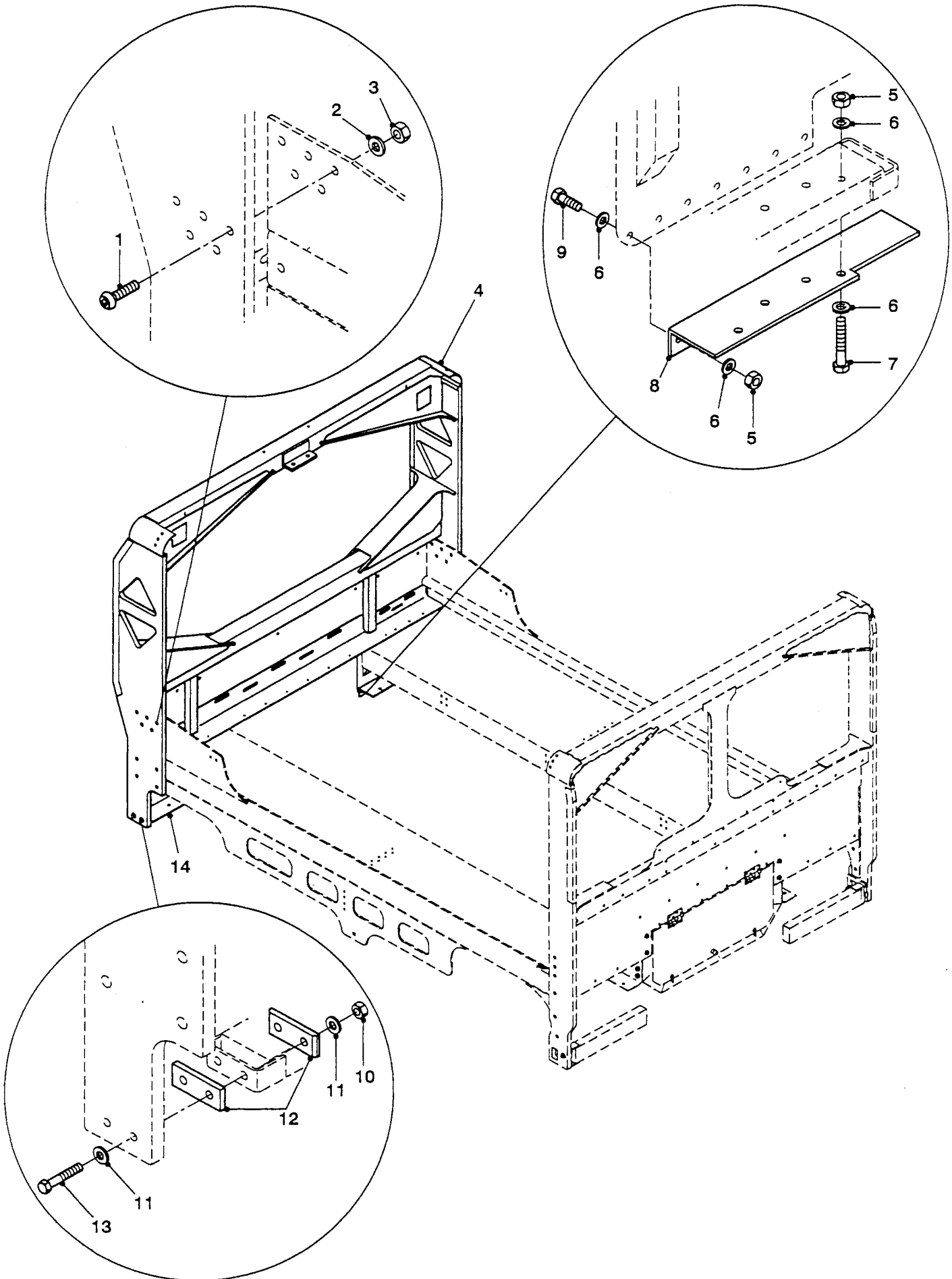


ROOF ASSEMBLY

Bush Ranger Land Rover Parts ListDerivative code - INTERIM RPIL02225

WB ROOF ASSEMBLY

<u>Item</u>	<u>Part No.</u>	<u>NSN</u>	<u>Description</u>	<u>Quantity</u>
14	NSS		ROOF INSULATION, FOAM, LD45FR, 2000 MM BY 1000 MM BY 10 MM, WITH FASSON ADHESIVE BACKING	3
	NSS		ADHESIVE, 3M, FASTAPE	1
	NSS		TAPE, ADHESIVE, 3M VHB, 4949 DOUBLE SIDED, 25 MM W., BLACK, 33 MR. LG.	1
15	BH108171		BOLT, HEX. HD., M8 BY 85 MM LG., ZINC PLATED, BLACK	10
16			CAP, THREAD PROTECTOR, PLASTIC, RED	12
17	FYD1017/4R		BOW, ROOF, LONGITUDINAL, ALUMINIUM EXTRUSION, P1040R, 6061 T6, 2920 MM LG., RIGHT	1
18	BH106131		BOLT, HEX. HD., M6 BY 65 MM LG., ZINC PLATED, BLACK	8
19	43-0071	5340-66-142-8884		8
	NSS		STRAP, RETAINING, NYLON WEBBING, 25 MM BY 185 MM LG.	1
	NSS		BUCKLE, RETAINING END, 3 MM, M.S. COA	1
20	FYD1017/4L		BOW, CROSS, ROOF, L.H., LONGITUDINAL, ALUMINIUM, EXTRUSION, P1040R, 6061 T6, 2920 MM LG.	2
21	BH108141		BOLT, HEX. HD., M8 BY 70 MM LG., ZINC PLATED, BLACK	4
22	FYD1002/10		BRACKET, ROOF SUPPORT, LONGITUDINAL, ALUMINIUM 76.2 MM BY 50.6 MM BY 6.35 MM, L6061 T5, 200 MM LG.	1

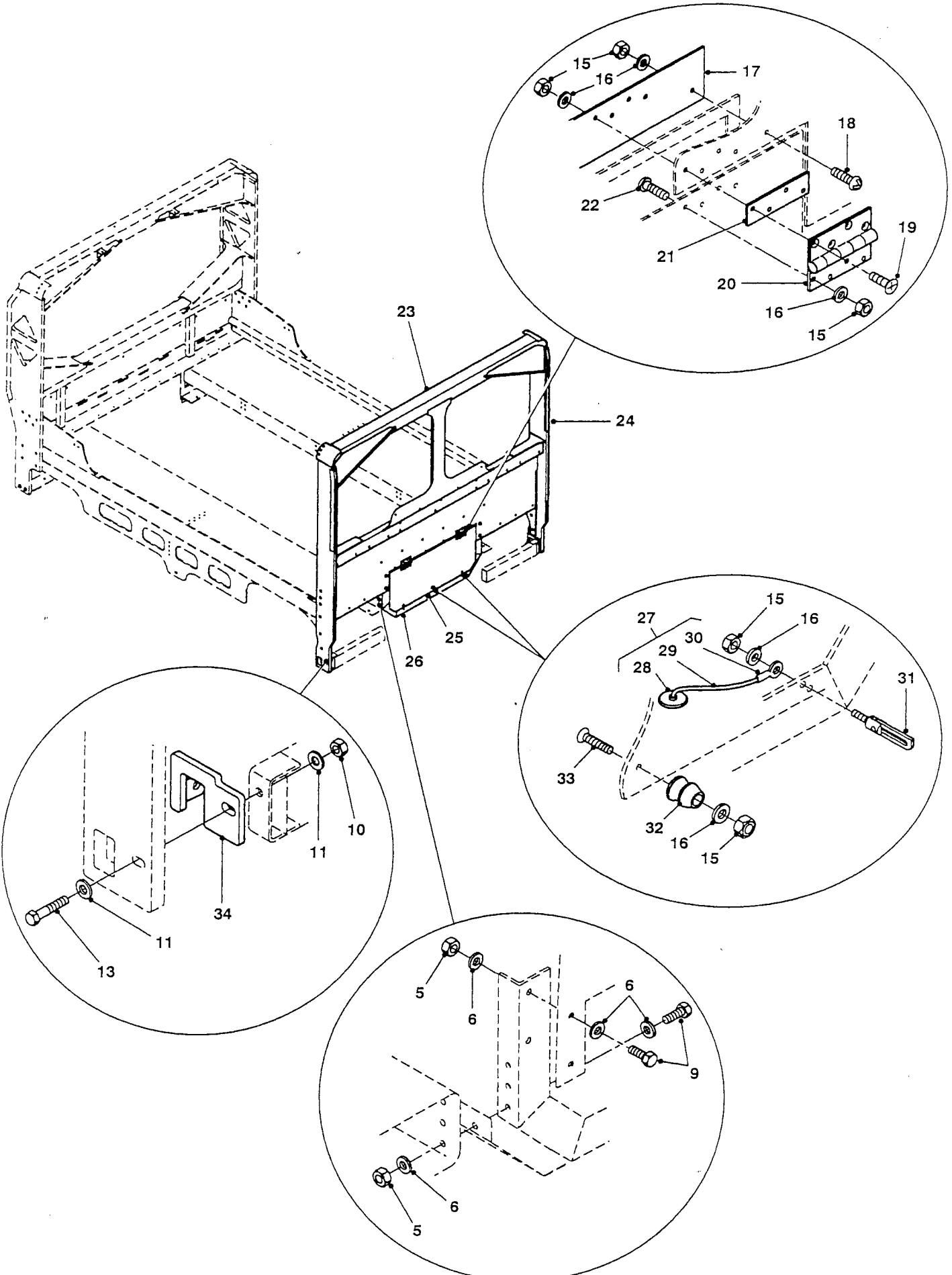


ROLL OVER PROTECTION

Bush Ranger Land Rover Parts ListDerivative code - INTERIM RPIL02225

WC ROLL OVER PROTECTION

<u>Item</u>	<u>Part No.</u>	<u>NSN</u>	<u>Description</u>	<u>Quantity</u>
1	SB610201		SCREW, BUTTON HEAD, 5/8 IN. BY 2 1/2 IN., ZINC PLATED	30
2	WA116101L		WASHER FLAT, 5/8 IN., ZINC PLATED	30
3	NY510041		NUT, SELF LOCKING, HEX., 5/8 IN., ZINC PLATED, BLACK	30
4	FYD1901		ROPS ASSEMBLY, FRONT, ALUMINIUM, POWDER COATED	1
	GYD545		DECAL, CAUTION	4
	HYG5684		DECAL, WARNING, ROLL CAGE	4
5	NZ110041		NUT, SELF LOCKING, HEX., M10, ZINC PLATED, BLACK	35
6	WC110041		WASHER, FLAT, STEEL, M10, ZINC PLATED, BLACK	62
7	BH110161L		BOLT, HEX. HD., M10 BY 80 MM LG., ZINC PLATED, BLACK	7
8	FYD1003/5		ANGLE, SUPPORT, FRONT WALL, 101.6 MM BY 50.8 MM BY 6.35 MM, ALUMINIUM L 6061 T6, 459 MM LG., RIGHT	1
9	BH110061		BOLT, HEX. HD., M10 BY 30 MM LG., ZINC PLATED, BLACK	24
10	NY112041L		NUT, SELF LOCKING, HEX., M12., ZINC PLATED, BLACK	6
11	WJ112007		WASHER, FLAT, STEEL, M12, ZINC PLATED, BLACK	12
12	FYD0097		SPACER, ALUMINIUM, 100 MM BY 40 MM BY 10 MM	4
13	BH112141L		BOLT, HEX. HD., M12 BY 70 MM LG., ZINC PLATED, BLACK	6
14	FYD1003/4		ANGLE, SUPPORT, FRONT WALL, 101.6 MM BY 50.8 MM BY 6.35 MM, ALUMINIUM L 6061 T6, 459 MM LG., LEFT	1

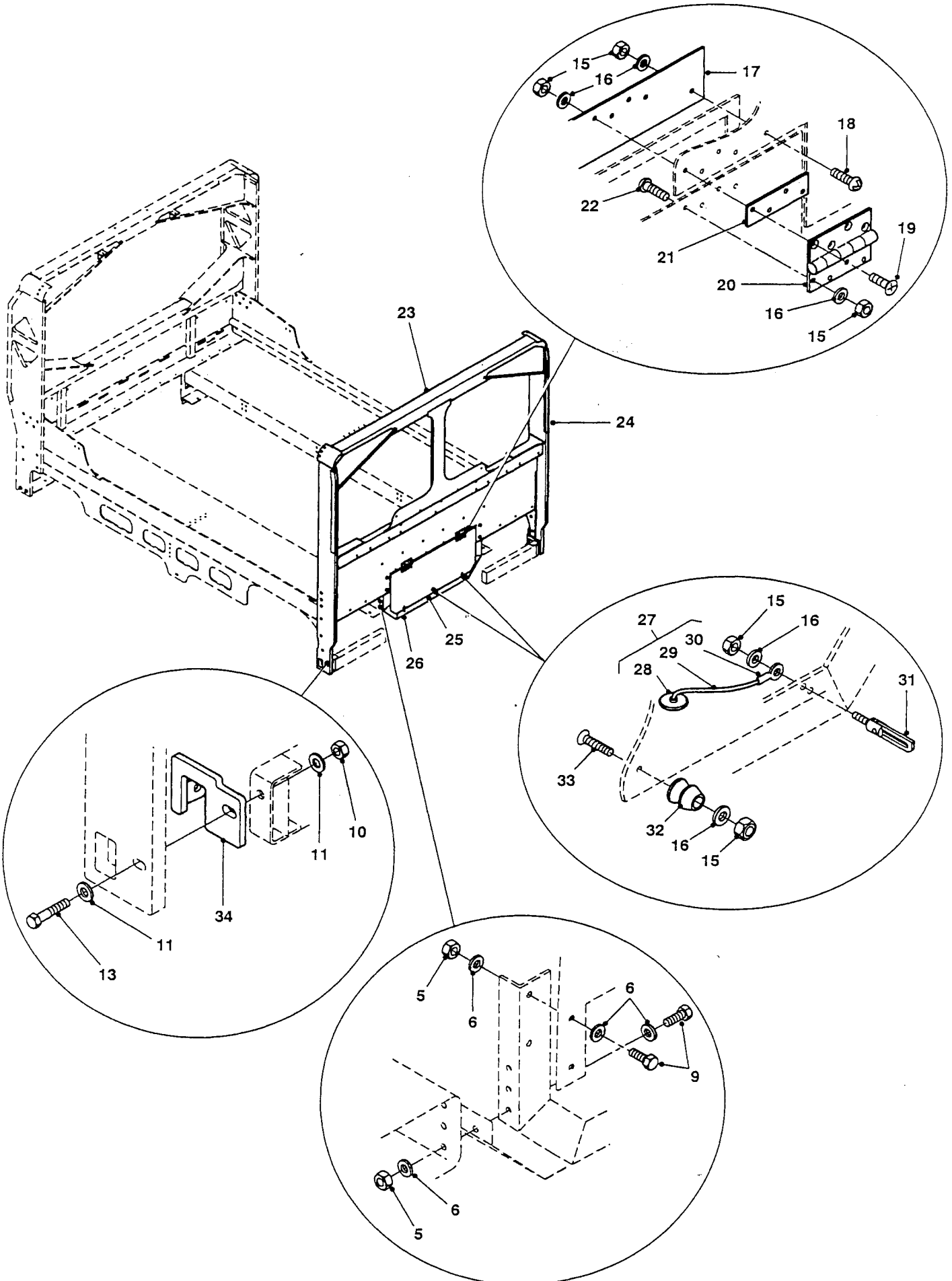


ROLL OVER PROTECTION

Bush Ranger Land Rover Parts ListDerivative code - INTERIM RPIL02225

WC ROLL OVER PROTECTION

<u>Item</u>	<u>Part No.</u>	<u>NSN</u>	<u>Description</u>	<u>Quantity</u>
15	NZ106044		NUT, SELF LOCKING, HEX., M6, ZINC PLATED, BLACK	21
16	WA106044		WASHER, FLAT, STEEL, M6, ZINC PLATED, BLACK	21
17	FYD1015/3		SEAL, REAR DOOR, 3.5 MM, ALUMINIUM 5083 H321	1
	NSS		SILASTIC 732 RTV	1
	NSS		STRIP, SEALING, 25 MM BY 5 MM, CLOSED CELL NEOPRENE, ADHESIVE BACK SPONGE TAPE, ADHESIVE FILM MACBOND 9517	1
18	SE106204		SCREW, RECESSED PAN HD., M6 BY 20 MM LG., ZINC PLATED, BLACK	4
19	SF106254		SCREW, COUNTERSUNK, CROSS TIP, M6 BY 25 MM LG., ZINC PLATED, BLACK	9
20	HYM933		HINGE, ALUMINIUM	2
21	GYD513		PLATE, SHIM, REAR DOOR, 4 MM THK. PLATE, ALUMINIUM 5083 H321, 100 MM LG., 30 MM W.	2
22	SE106164		SCREW, COUNTERSUNK, CROSS TIP, M6 BY 16 MM LG., ZINC PLATED, BLACK	8
23	FYD1005		ROPS ASSEMBLY, REAR, ALUMINIUM, POWDER COATED	1
24		8305-66-125-2329	CLOTH	1
	NSS		ADHESIVE, 2 PART PACK	1
	NSS		HARDENER, ADHESIVE, 250 ML.	1
	NSS		THINNER, ADHESIVE, 4 LITRE	1
25	FYD1015/2		DOOR, REAR, 4.0 MM, ALUMINIUM 5083 H321	1
26	FYD1015/1		ANGLE, SUPPORT, REAR DOOR, 76.2 MM BY 50.6 MM BY 6.35 MM, ALUMINIUM L 6061 T6	1

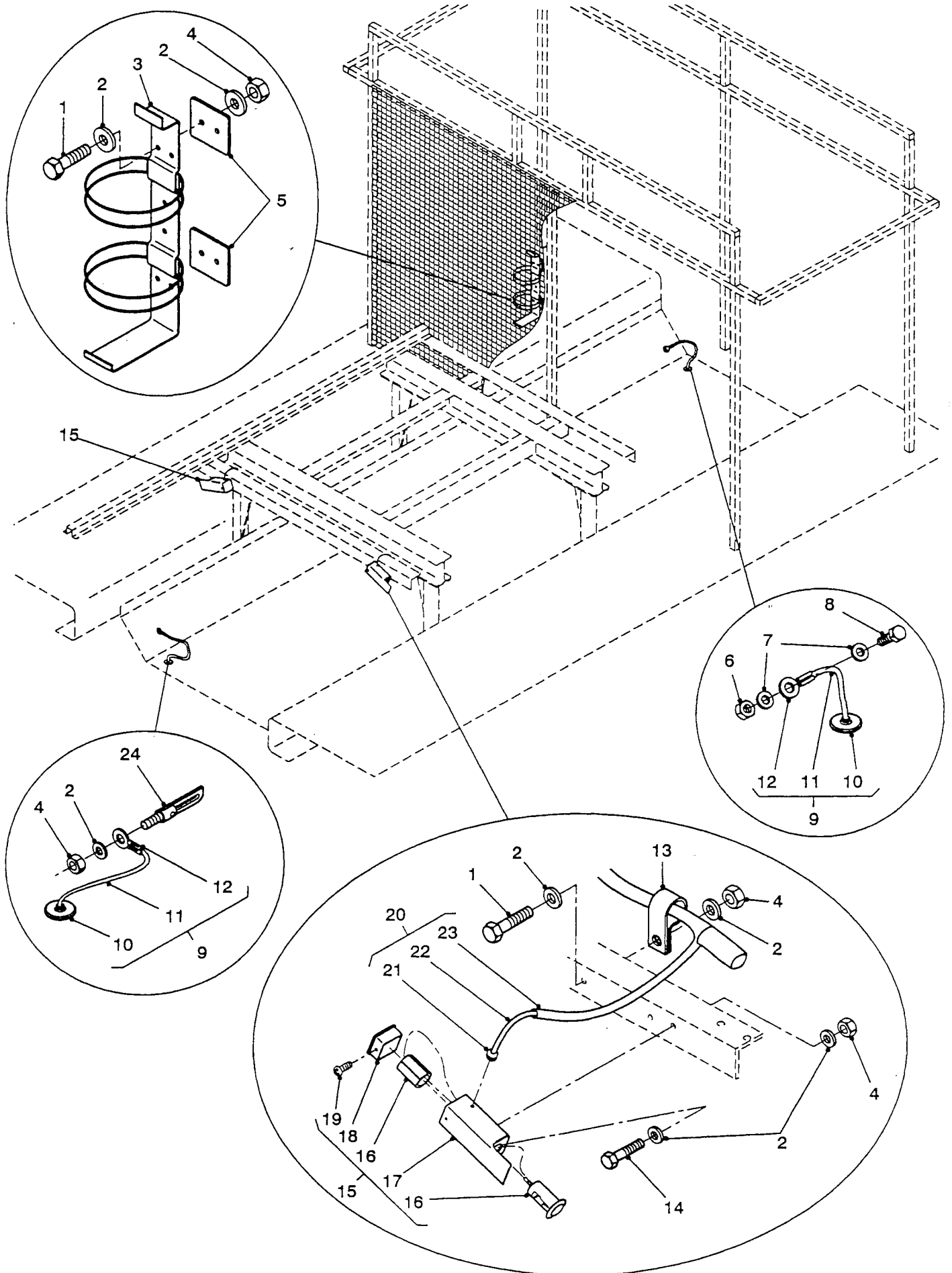


ROLL OVER PROTECTION

Bush Ranger Land Rover Parts ListDerivative code - INTERIM RPIL02225

WC ROLL OVER PROTECTION

<u>Item</u>	<u>Part No.</u>	<u>NSN</u>	<u>Description</u>	<u>Quantity</u>
27	HYG3262	5325-66-128-5344	GROMMET AND CORD ASSEMBLY	4
28	NSS		GROMMET, NON-METALIC, RUBBER	4
29	NSS		CORD	4
30	NSS		TERMINAL	4
31	HYM937		FASTENER, ANTI-LUCE, M8	2
32	HYM940		NYLON PLUG	1
33	SF106251		SCREW, COUNTERSUNK, M6 BY 25 MM LG., ZINC PLATED, BLACK	2
34	FYD0095		PACKER, MODULE, HIGH LIFT JACK, 10 MM ALUMINIUM PLATE WITH TWO 5 MM SAFETY LUGS WELDED ON, RIGHT	1
	FYD0096		PACKER, MODULE, HIGH LIFT JACK, 10 MM ALUMINIUM PLATE WITH TWO 5 MM SAFETY LUGS WELDED ON, LEFT	1



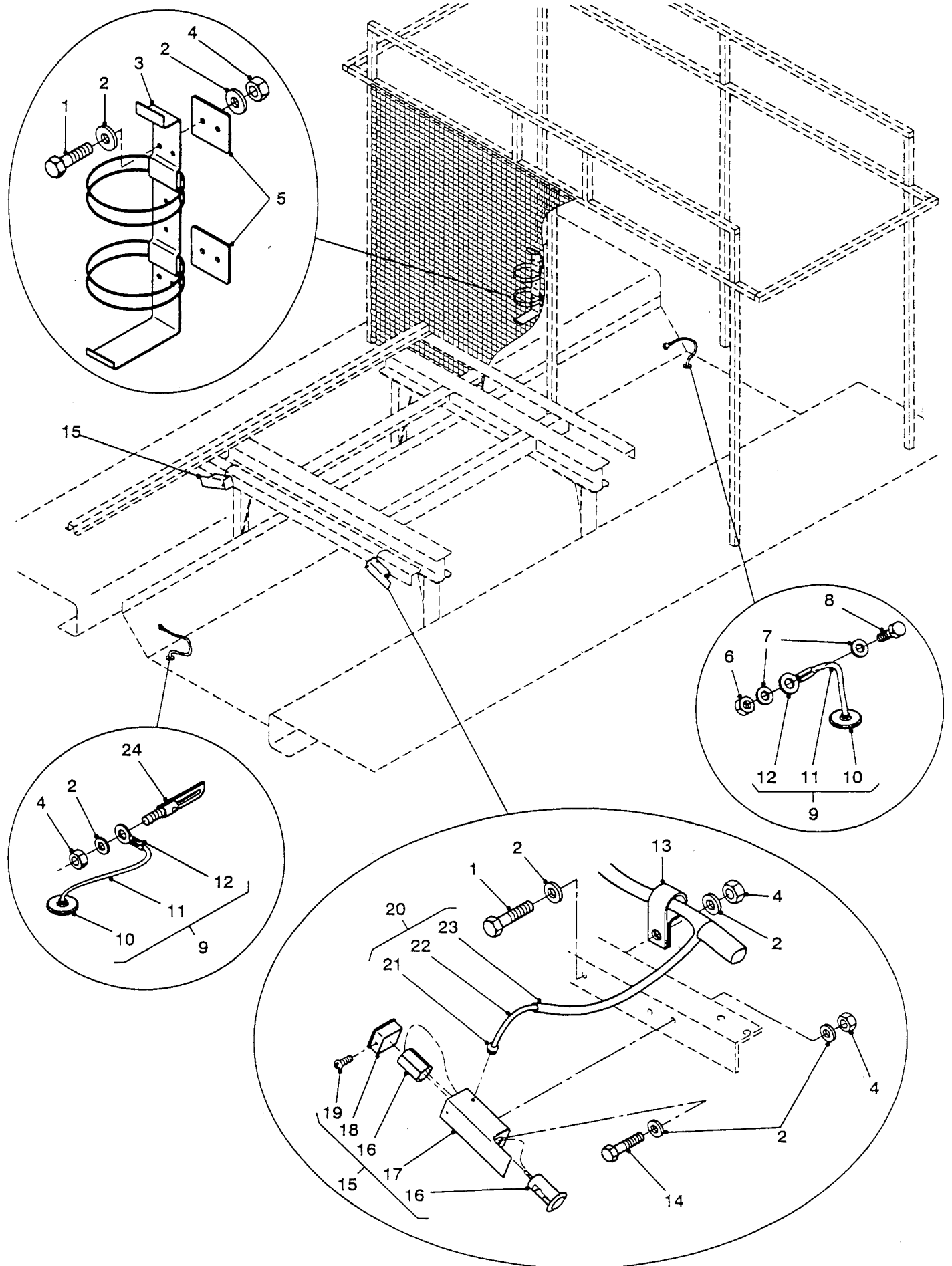
INTERIOR FITTINGS MODULE

Bush Ranger Land Rover Parts List

Derivative code - INTERIM RPIL02225

WE INTERIOR FITTINGS - MODULE

<u>Item</u>	<u>Part No.</u>	<u>NSN</u>	<u>Description</u>	<u>Quantity</u>
1	SH106201		SCREW, HEX. HD., M6 BY 20 MM LG., ZINC PLATED, FE/ZN, BLACK	4
2	WA106044		WASHER, FLAT, M6, ZINC PLATED, FE/ZN, BLACK	12
3	GYD965		BRACKET ASSEMBLY, FIRE EXTINGUISHER, DOUBLE STRAP	1
4	NZ106044		NUT, SELF LOCKING, HEX., M6, ZINC PLATED, FE/ZN, BLACK	8
5	NSS		BRACKET, STEEL, 3 MM SHEET, 55 MM BY 50 MM	2
6	NZ108044		NUT, SELF LOCKING, HEX., M8, ZINC PLATED, BLACK	2
7	WA108044		WASHER, FLAT, M8, ZINC PLATED, BLACK	4
8	BH108201		BOLT, HEX HD., M8 BY 20 MM	2
9	HYG3262	5325-66-128-5344		4
10	NSS		GROMMET	3
11	NSS		CABLE	3
12	NSS		TERMINAL, LUG	3
13	HYG6625		'P' CLIP	8
14	SH106251		SCREW, HEX HD., M6 BY 25 MM LG.	2
15	GYD964		CIGARETTE LIGHTER ASSEMBLY	2
16		2540-66-140-7487		1
17	GYD211		BRACKET, CIGARETTE LIGHTER	1
18			CAP, PLASTIC, BLACK	1
19	AB108031		SCREW, RECESSED PAN HD., STEEL, ZINC PLATED, 8G BY 10 MM LG.	1
20	GYD963		CABLE, CIGAR LIGHTER ASSEMBLY	1

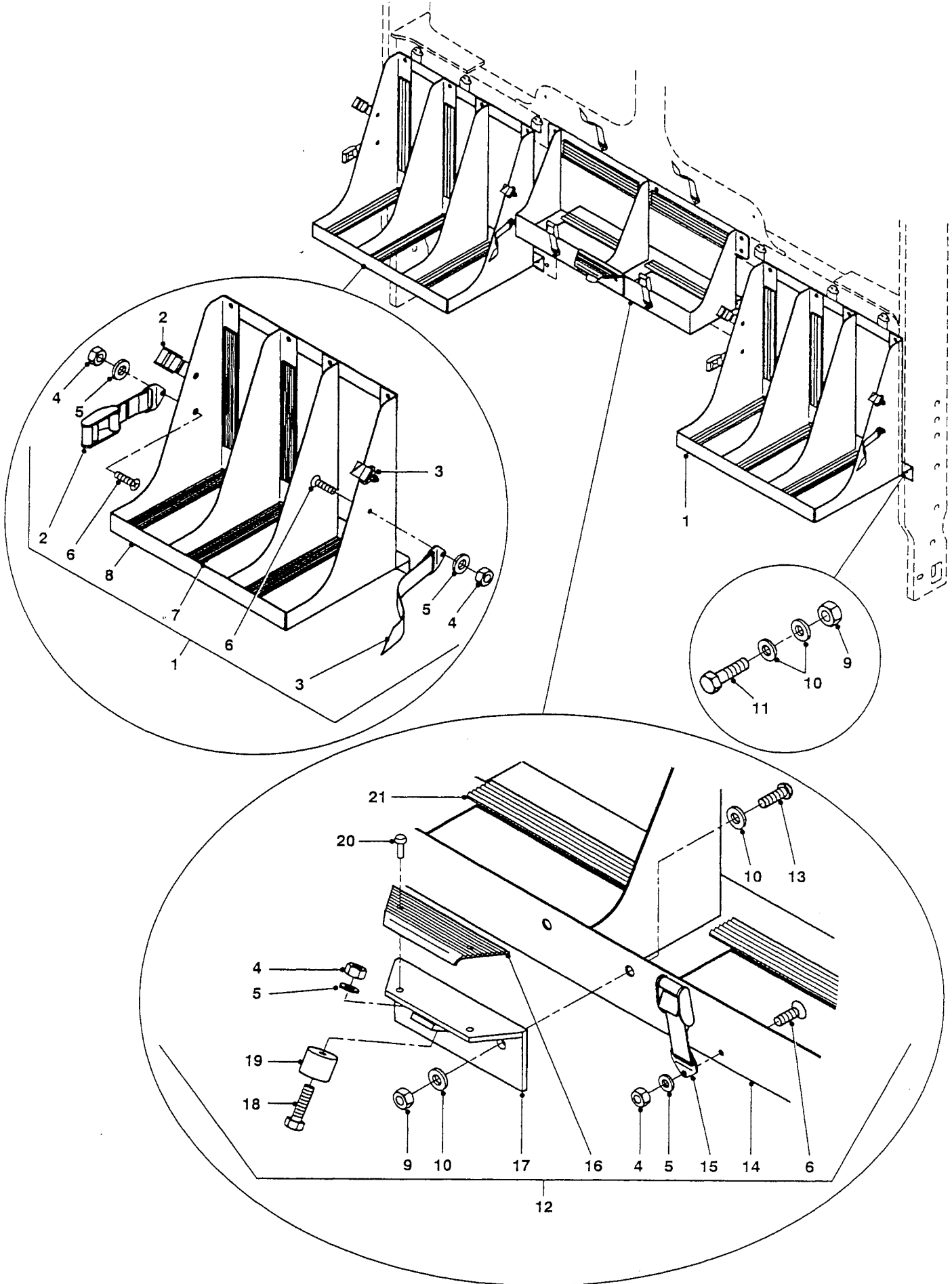


INTERIOR FITTINGS MODULE

Bush Ranger Land Rover Parts ListDerivative code - INTERIM RPIL02225

WE INTERIOR FITTINGS - MODULE

<u>Item</u>	<u>Part No.</u>	<u>NSN</u>	<u>Description</u>	<u>Quantity</u>
21	NSS		GROMMET, CABLE	1
22	NSS		WIRE, 26/0.32, PURPLE 1020 MM LG.	1
		5940-66-128-4738		2
	AYG9120	5970-66-128-4715		2
	MYH2565	5940-66-128-4737		1
23			TUBING, PVC, 4 MM, BLACK	1
24			FASTENER, ANTI-LUCE, M8	2
	HYM961		PAD, OCCUPANT, 300 MM BY 200 MM	2
	HYM962		PAD, OCCUPANT, 250 MM BY 150 MM	2

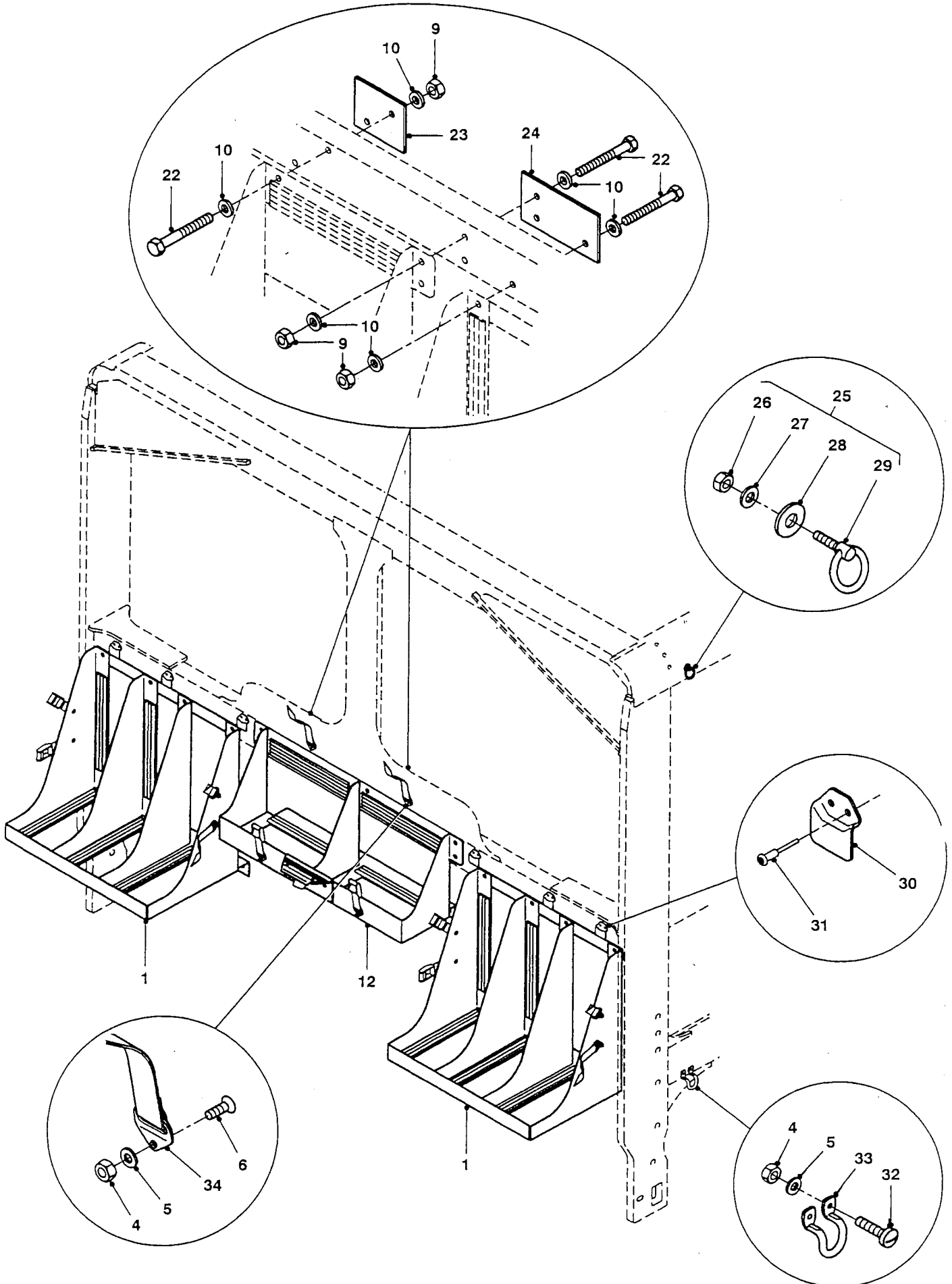


EXTERIOR FITTINGS - MODULE

Bush Ranger Land Rover Parts ListDerivative code - INTERIM RPIL02225

WF EXTERIOR FITTINGS - MODULE

<u>Item</u>	<u>Part No.</u>	<u>NSN</u>	<u>Description</u>	<u>Quantity</u>
1	FYD0053	2540-66-142-8888	HOLDER	2
2	FYD0053/4	5340-66-142-8890	STRAP AND BUCKLE ASSEMBLY	2
3	FYD0053/5	5340-66-142-8892	STRAP ASSEMBLY	4
4	NZ106044		NUT, SELF LOCKING, HEX., M6, ZINC PLATED, BLACK	60
5	WA106045		WASHER, FLAT, STEEL, M6, ZINC PLATED, BLACK	60
6	SE106164		SCREW, COUNTERSUNK HD., M6 BY 16 MM LG., ZINC PLATED, BLACK	8
7	FYD0053/9		STRIP, RUBBER, 4 MM BLACK RIBBED MATTING, 33 MM BY 330 MM	8
8	NSS		TRIPLE, JERRY CAN HOLDER, BODY PLATE	1
9	NZ110044		NUT, SELF LOCKING, HEX., M10, ZINC PLATED, BLACK	26
10	WA110064		WASHER, FLAT, M10, ZINC PLATED, BLACK	52
11	BH110061		BOLT, HEX. HD., M10 BY 30 MM LG., ZINC PLATED, BLACK	10
12	FYD0054	2540-66-142-8889	HOLDER	1
13	SB110301		SCREW, BUTTON HD., M10 BY 35 MM LG., ZINC PLATED, BLACK	2
14	NSS		DOUBLE JERRY CAN HOLDER, BODY PLATE	1
15	FYD0054/4	5340-66-142-8873	STRAP	4
16	FYD1015/4		EXTRUSION, REAR STEP, ALUMINIUM EXTRUSION, E2611S, 6060 T1, 165 MM LG.	1
17	FYD1015/5		ANGLE, REAR STEP, 76.2 MM BY 50.6 MM BY 6.35 MM, ALUMINIUM, L 6061 T6, 182 MM LG.	1

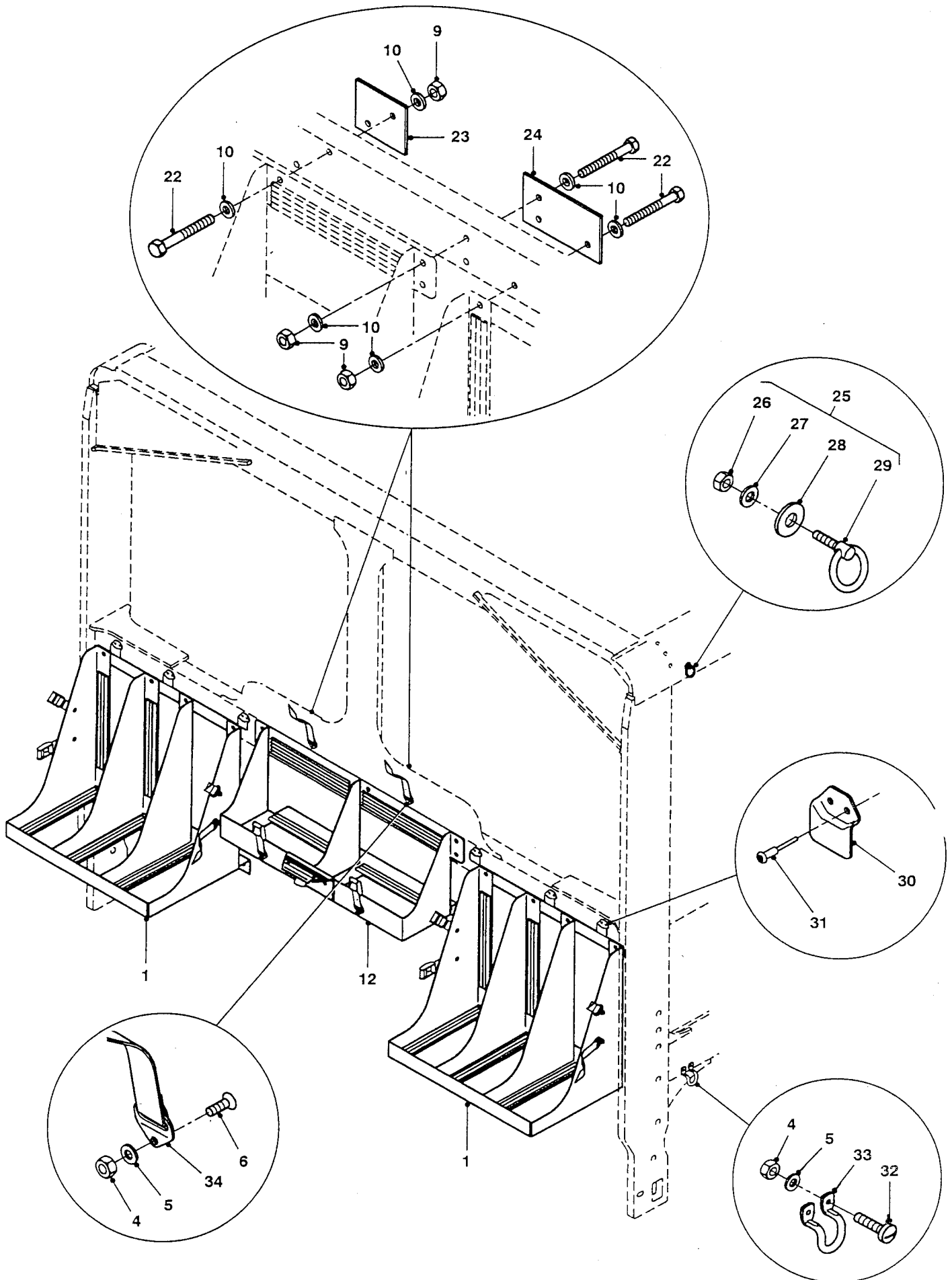


EXTERIOR FITTINGS - MODULE

Bush Ranger Land Rover Parts ListDerivative code - INTERIM RPIL02225

WF EXTERIOR FITTINGS - MODULE

<u>Item</u>	<u>Part No.</u>	<u>NSN</u>	<u>Description</u>	<u>Quantity</u>
18	HYM939		NYLON RECEPTACLE	1
19	SH10625I		SCREW, HEX. HD., M6 BY 25 MM LG., ZINC PLATED, BLACK	1
	HYG6629		PLUG, BLANKING, PVC	2
20	HYL8931	5306-66-128-5498	MONOBOLT	2
21	FYD0054/9		STRIP, RUBBER, RIBBED MATTING	8
	NSS		ADHESIVE, 2 PART PACK	1
	NSS		HARDENER ADHESIVE, 250 MM	1
	NSS		THINNER, ADHESIVE, 4 LITRE	1
22	BH110161L		BOLT, HEX. HD., M10 BY 80 MM LG., ZINC PLATED, BLACK	14
23	FYD1006/11		PLATE, LOAD, JERRY CAN HOLDER, 100 MM BY 6 MM, ALUMINIUM FLAT BAR, 120 MM LG.	2
24	FYD1006/10		PLATE, LOAD, JERRY CAN HOLDER, 100 MM BY 6 MM, ALUMINIUM FLAT BAR, 185 MM LG.	1
25	GYD515		RING BOLT ASSEMBLY	8
26	NZ304041		NUT, SELF LOCKING, HEX., 1/4 IN., BSW, ZINC PLATED, BLACK	10
27	WA106044		WASHER, FLAT, 1/4 IN., ZINC PLATED, BLACK	10
28	WJ600041L		WASHER, FLAT, 22.2 MM O.D. BY 6.8 MM I.D., ZINC PLATED, BLACK	10
29	GYD514		RINGBOLT, 35 MM O.D., 25 MM I.D., BOLT 21 MM LG., BLACK OXIDE COATING	1
30	R301328	2540-66-098-2761	PLATE	6



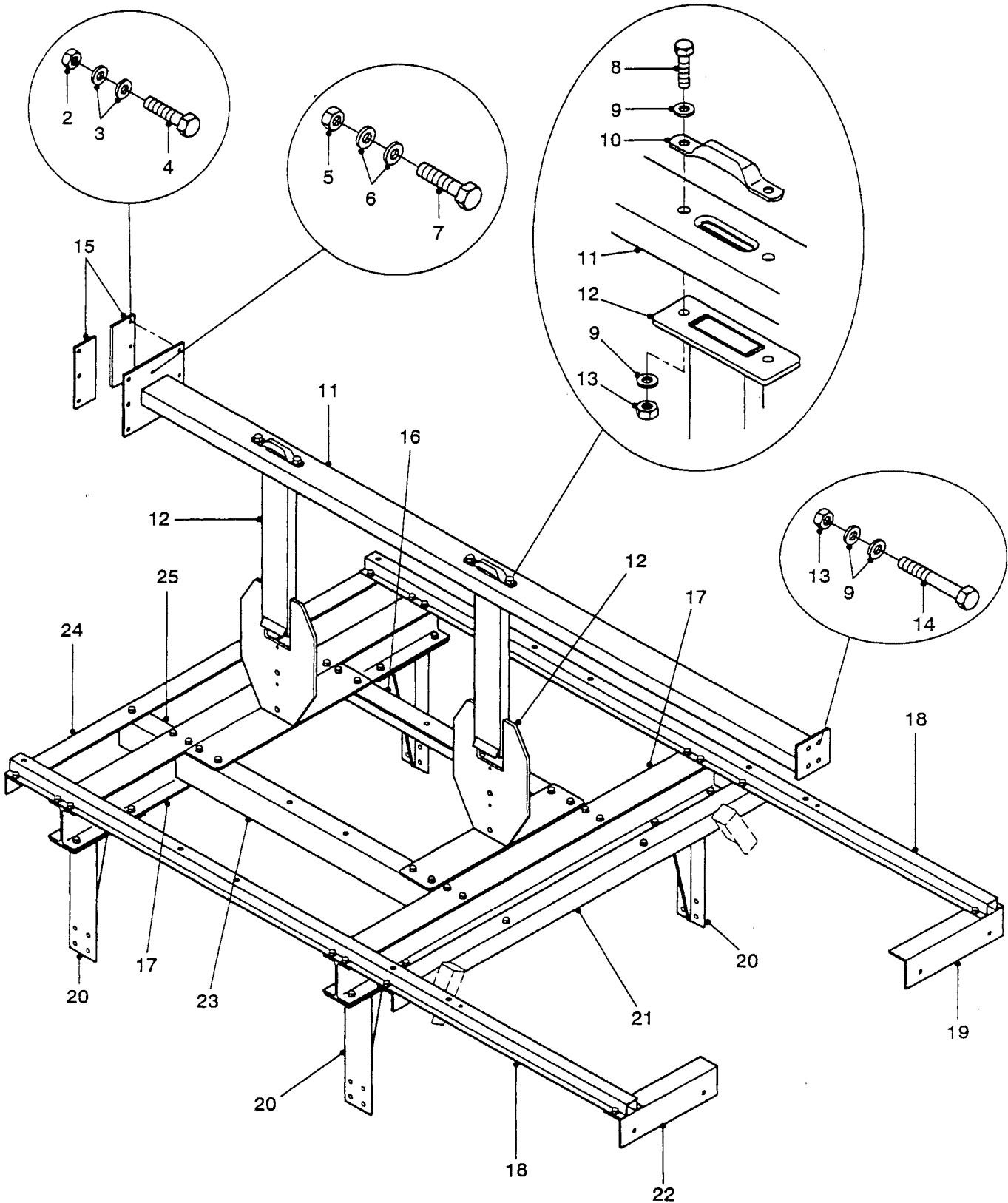
EXTERIOR FITTINGS - MODULE

Bush Ranger Land Rover Parts ListDerivative code - INTERIM RPIL02225

WF EXTERIOR FITTINGS - MODULE

<u>Item</u>	<u>Part No.</u>	<u>NSN</u>	<u>Description</u>	<u>Quantity</u>
31	RU612373		RIVET, BLIND, ALUMINIUM ALLOY, DOME HD., W/BREAK STEM MANDREL, 3/16 IN. DIA., 0.562 IN. LG.	12
32	SE106254		SCREW, PAN HD., M6 BY 25 MM LG., ZINC PLATED, BLACK	52
33	R345699	2510-99-820-7552	HOOK, ROPE	26
34	FYD0054/5	5340-66-142-8891	STRAP AND BUCKLE	2

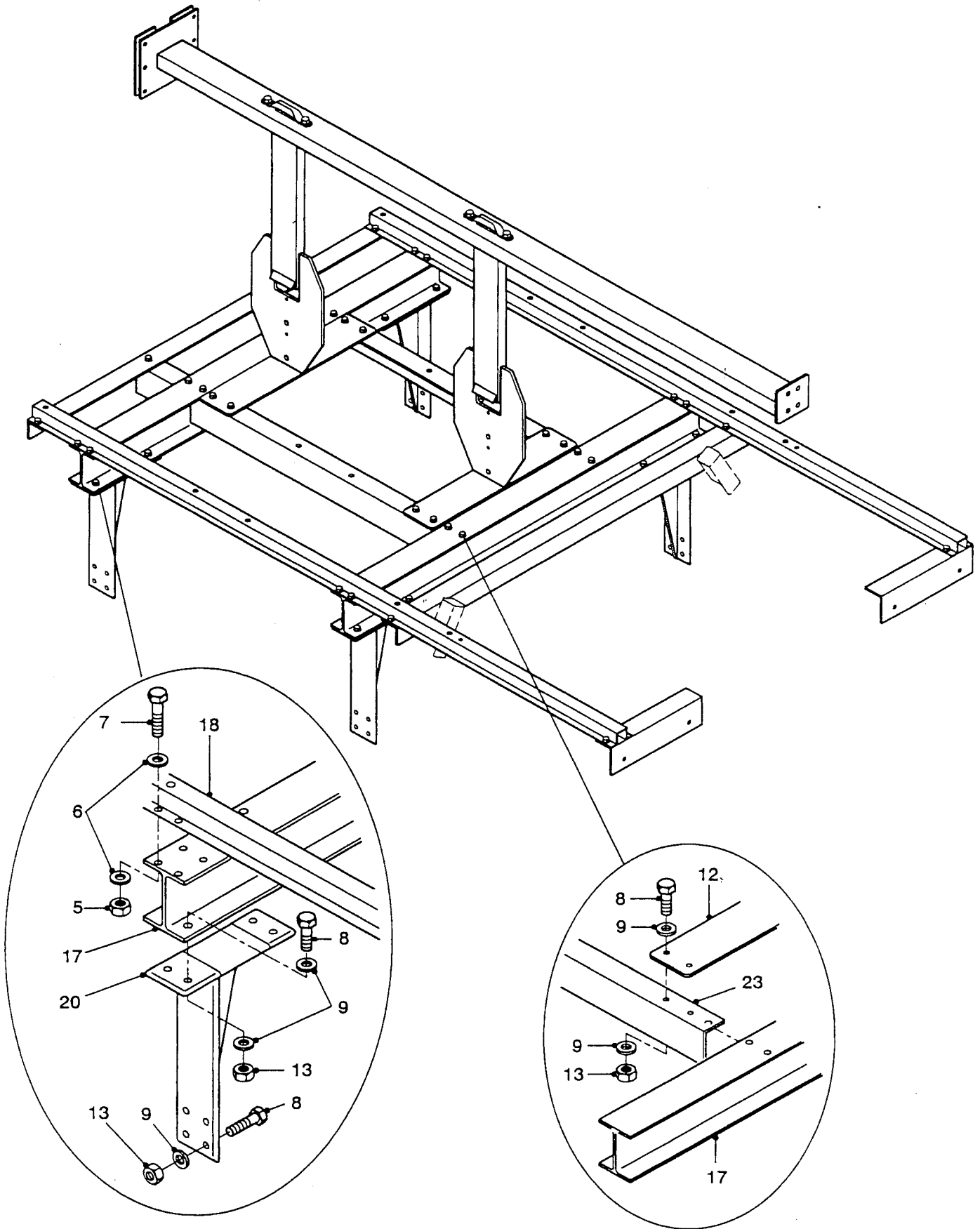
1



REAR SEAT FRAME ASSEMBLY

Bush Ranger Land Rover Parts ListDerivative code - INTERIM RPIL02225

WG	REAR SEAT FRAME ASSEMBLY			
<u>Item</u>	<u>Part No.</u>	<u>NSN</u>	<u>Description</u>	<u>Quantity</u>
1	NSS		SEAT ASSEMBLY, ASSAULT VARIANT	1
2	NY106011		NUT, NYLOC, M6	66
3	HYL8955		WASHER, FLAT, M6	6
4	SH106251		BOLT, HEX. HD., M6 BY 25 MM	6
5	NY108001		NUT, NYLOC, M8	2
6	WA108001		WASHER, FLAT, M8, ZINC PLATED, FE/ZN, BLACK	56
7	BH108251		BOLT, HEX. HD., M8 BY 25 MM LG.	28
8	SH110301		BOLT, HEX. HD., M10 BY 30 MM LG., ZINC PLATED, FE/ZN, BLACK	22
9	WA110064		WASHER, FLAT, M10, ZINC PLATED, FE/ZN, BLACK	92
10	FYD0093		RETAINER, SEAT BELT, ANTI-LUCE DEVICE, ALUMINIUM TUBE, 12.7 MM BY 1.42 MM W.T. TUBE	2
11	FYD1722		RETAINER, HORIZONTAL, REAR SEAT BELT	1
12	FYD0057		RETAINER, VERTICAL, SEAT BELT	2
13	NZ110041		NUT, SELF LOCKING, HEX., M10, ZINC PLATED, FE/ZN, BLACK	52
14	BH110131		BOLT, HEX. HD., M10 BY 65 MM	4
15	FYD1723		PLATE	1
16	FYD1719/2R		ANGLE, SUPPORT, R.H. CENTRE, 76.2 MM BY 50.6 MM BY 6.35 MM, ALUMINIUM, L 6061 T6, 794 MM LG	1
17	FYD1719/1		CROSSMEMBER, REAR SEAT SUPPORT, 101.6 MM BY 76.2 MM BY 6.35 MM, ALUMINIUM, "I" BEAM 6061 T6	1

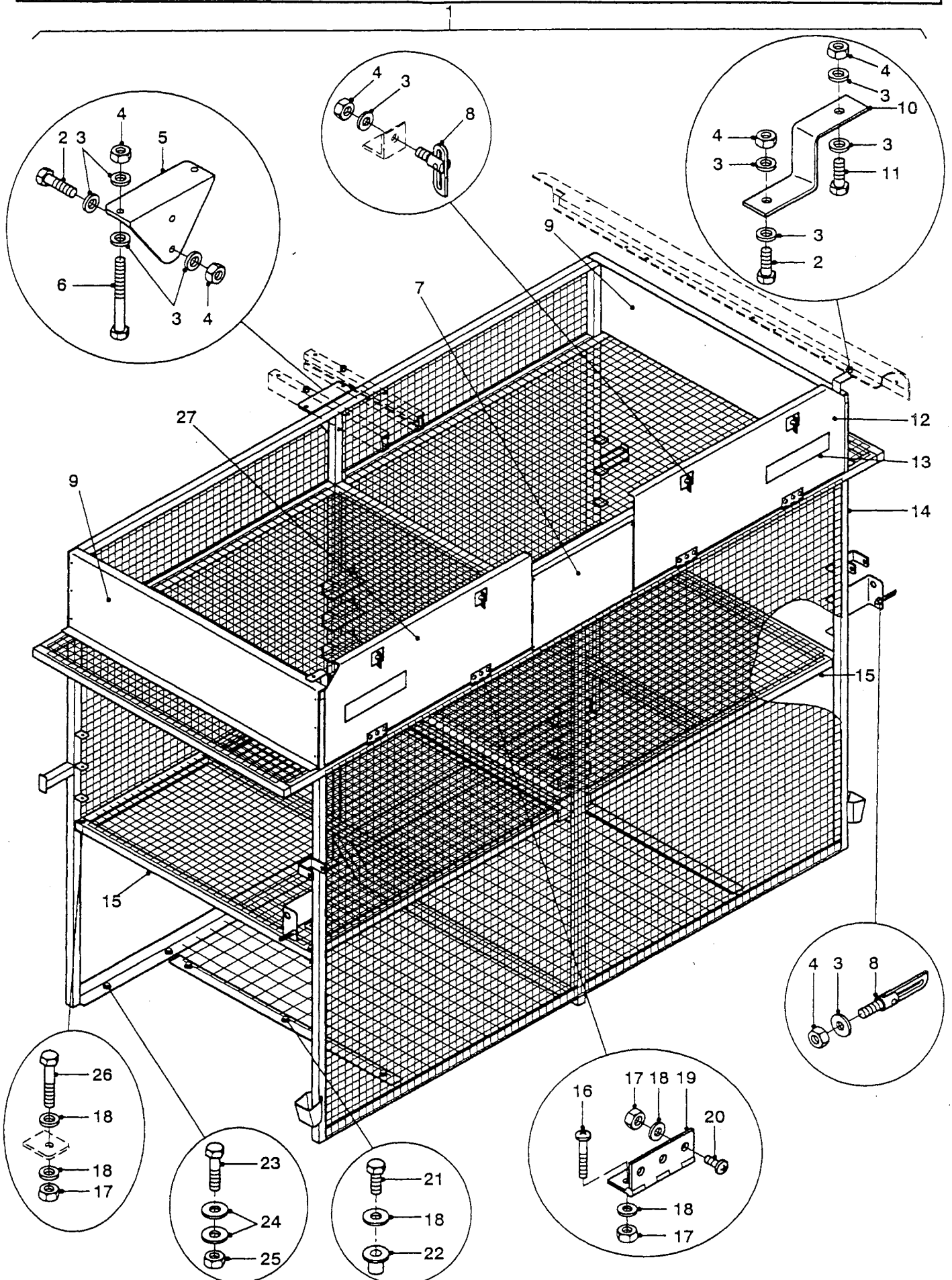


REAR SEAT FRAME ASSEMBLY

Bush Ranger Land Rover Parts ListDerivative code - INTERIM RPIL02225

WG REAR SEAT FRAME ASSEMBLY

<u>Item</u>	<u>Part No.</u>	<u>NSN</u>	<u>Description</u>	<u>Quantity</u>
18	FYD1719/5		SUPPORT, OUTER EDGE, SEAT, HAT SECTION, 63 MM BY 32 MM, ALUMINIUM, HAT SECTION L 6106 T591, 2448 MM LG.	2
19	FYD1719/6R		END, SEAT, TRANSVERSE ANGLE, R.H., 76.2 MM BY 50.6 MM BY 6.35 MM, ALUMINIUM, L 6061 T6	1
20	FYD0067		LEG CASTING, SUPPORT, CROSSMEMBER, CAST ALUMINIUM 401	4
21	FYD1719/7L		ANGLE, SUPPORT, SEAT END, TRANSVERSE, REAR, 76.2 MM BY 50.6 MM BY 6.35 MM ALUMINIUM, L 6061 T6	1
22	FYD1719/6L		END, SEAT, TRANSVERSE ANGLE, L.H., 76.2 MM BY 50.6 MM BY 6.35 MM ALUMINIUM, L 6061 T6	1
23	FYD1019/2L		ANGLE, SUPPORT, L.H. CENTRE, 76.2 MM BY 50.6 MM BY 6.35 MM, ALUMINIUM, L 6061 T6, 794 MM LG.	1
24	FYD1719/7R		SUPPORT, SEAT END TRANSVERSE ANGLE, FRONT, 76.2 MM BY 50.6 MM BY 6.35 MM, ALUMINIUM, L 6061 T6	1
25	FYD1719/4		SUPPORT, REAR SEAT, 76.2 MM BY 50.6 MM BY 6.35 MM, ALUMINIUM, L 6061 T6	2

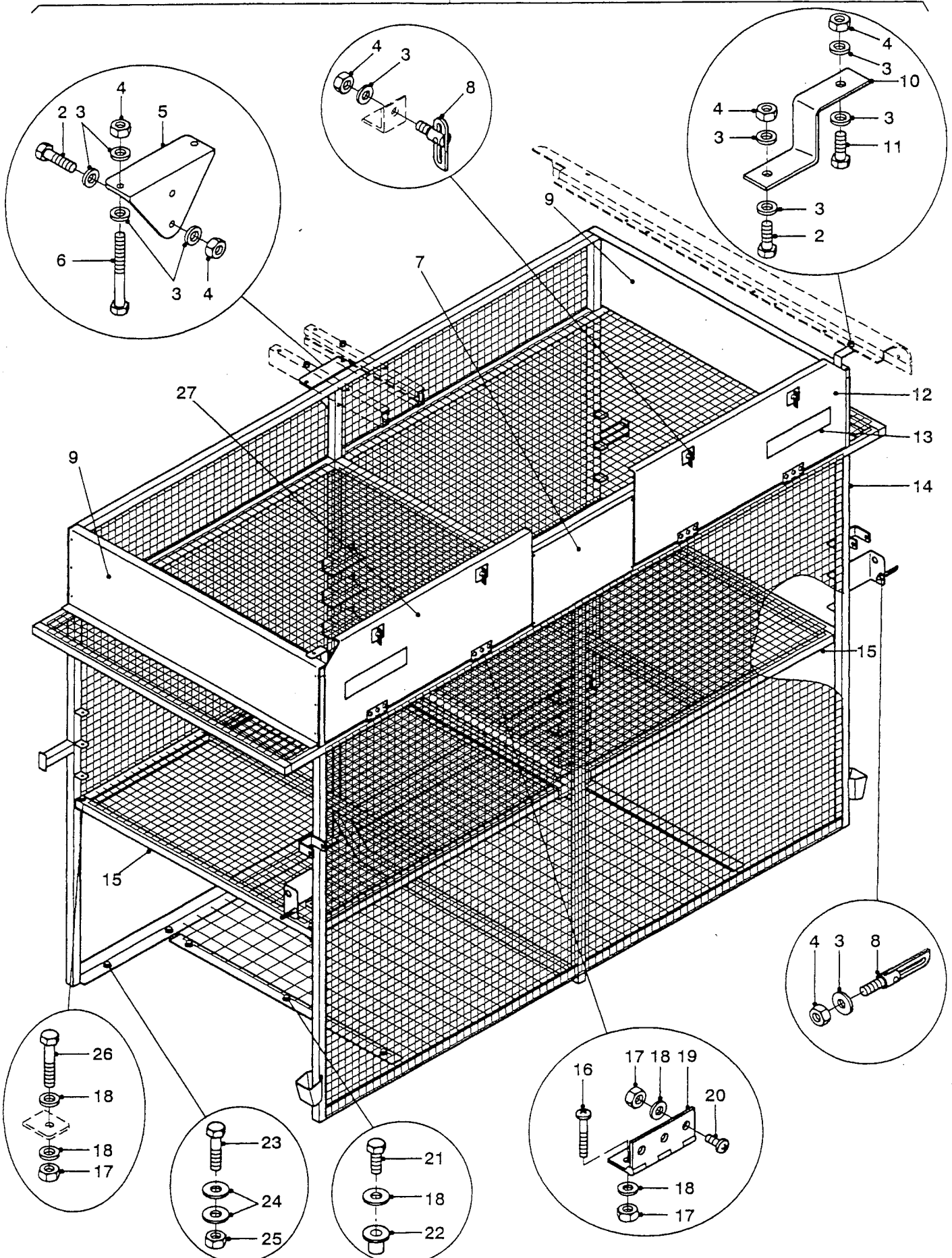


FRONT CAGE ASSEMBLY

Bush Ranger Land Rover Parts ListDerivative code - INTERIM RPIL02225

WJ FRONT CAGE ASSEMBLY

<u>Item</u>	<u>Part No.</u>	<u>NSN</u>	<u>Description</u>	<u>Quantity</u>
1	NSS		CAGE ASSEMBLY, FRONT, 2144 MM BY 1442 MM BY 906 MM	1
2	BH108501		BOLT, HEX. HD., M8 BY 50 MM LG.	6
3	WA108001		WASHER, FLAT, STEEL, M8	24
4	NY108001		NUT, NYLOC, M8	12
5	GYD681		BRACKET, ANGLE, 150 MM BY 100 MM BY 46 MM, ALUMINIUM, L 6061 T6	1
6	BH108701		BOLT, HEX. HD., M8 BY 70 MM LG.	2
7	FYD1726		COVER PLATE, REAR, TOP, 358 MM BY 235 MM BY 2 MM, ALUMINIUM 5251-H38	1
8	HYM937		FASTENER, ANTI-LUCE, M8	2
9	FYD1727		COVER PLATE, SIDE, TOP, 886 MM BY 240 MM BY 2 MM, ALUMINIUM 5251-H38	2
10	GYD682		BRACKET, Z SHAPED, 120 MM LG. BY 25 MM W., STEEL, AS3679-250	2
11	BH108251		BOLT, HEX. HD., M8 BY 25 MM LG.	2
12	FYD1715LH		DOOR, UPPER, INNER, L.H., 746 MM BY 292 MM	1
13	GYD545		DECAL, CAUTION, 250 MM BY 50 MM	2
14	FYD1711		CAGE, FRONT, 2144 MM BY 906 MM	1
15	FYD1718		SHELF, ADJUSTABLE, 923 MM BY 845 MM	2
16	SP106401		SCREW, DOMED HD., SLOTTED, M6 BY 40 MM LG.	40
17	NY106011		NUT, NYLOC, M6	60



FRONT CAGE ASSEMBLY

Bush Ranger Land Rover Parts ListDerivative code - INTERIM RPIL02225

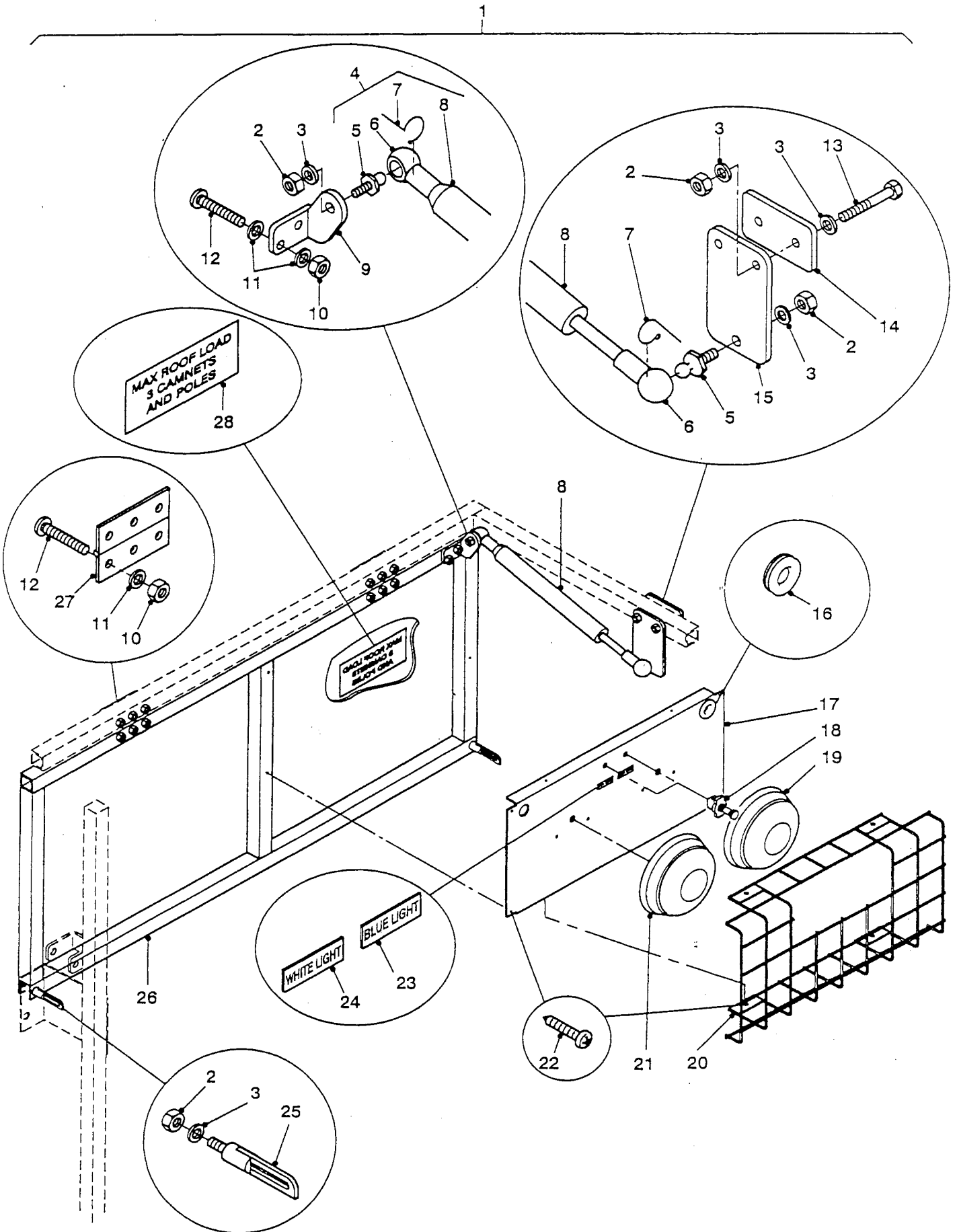
WJ FRONT CAGE ASSEMBLY

<u>Item</u>	<u>Part No.</u>	<u>NSN</u>	<u>Description</u>	<u>Quantity</u>
18	WA106001		WASHER, FLAT, M6	72
19			HINGE, STAINLESS STEEL	8
20	SP106161		SCREW, DOMED HD., M6 BY 16 MM LG.	12
21	SH106251		SCREW, HEX. HD., M6 BY 25 MM LG.	32
22	MM106451		NUT, RIVET, M6	20
23	BH110301		BOLT, HEX. HD., M10 BY 30 MM LG.	8
24	WA110001		WASHER, FLAT, M10	16
25	NY110001		NUT, NYLOC, M10	8
26	BH106401		BOLT, HEX. HD., M6 BY 40 MM LG.	4
27	FYD1715RH		DOOR, UPPER, INNER, R.H., 746 MM BY 292 MM	1

Bush Ranger Land Rover Parts ListDerivative code - INTERIM RPIL02225

WJA UPPER SIDE DOOR ARRANGEMENT

<u>Item</u>	<u>Part No.</u>	<u>NSN</u>	<u>Description</u>	<u>Quantity</u>
1.	FYD1713/2		DOOR ASSEMBLY, UPPER SIDE, R.H.	1
	FYD1713/1		DOOR ASSEMBLY, UPPER SIDE, L.H.	1
2	NY108011		NUT, NYLOC, M8	12
3	WA108001		WASHER, FLAT, M8	16
4	HYM927		STRUT, GAS, C/W A3B3 ENDS AND CIRCLIPS	2
5	NSS		BOLT, M6, SPECIAL SHAPE, M6, 35 MM LG.	2
6	NSS		END, BALL, STRUT MOUNTING	2
7	NSS		CIRCLIP, END, BALL	2
8	NSS		STRUT, GAS	2
9	FYD1703/RH		ANGLE, GAS STRUT, MOUNT, R.H., ALUMINIUM L 6061 T5, 40 MM BY 40 MM BY 5 MM BY 50 MM	1
	FYD1703/LH		ANGLE, GAS STRUT, MOUNT, L.H., ALUMINIUM L 6061 T5, 40 MM BY 40 MM BY 5 MM BY 50 MM	1
10	NY106011		NUT, NYLOC, M6	52
11	WA106001		WASHER, FLAT, M6	56
12	SP106401		SCREW, DOMED HD., SLOTTED, M6 BY 40 MM LG.	40
13	BH108651		BOLT, HEX. HD., M8 BY 65 MM LG.	4
14	GYD668		PLATE, BACKING, GAS STRUT, 70 MM BY 40 MM BY 5 MM, ALUMINIUM, 5083-H321	2
15	FYD1725		PLATE, MOUNTING, GAS STRUT, 100 MM BY 60 MM BY 5 MM, ALUMINIUM, 5083-H321	2



UPPER SIDE DOOR ARRANGEMENT

Bush Ranger Land Rover Parts ListDerivative code - INTERIM RPIL02225

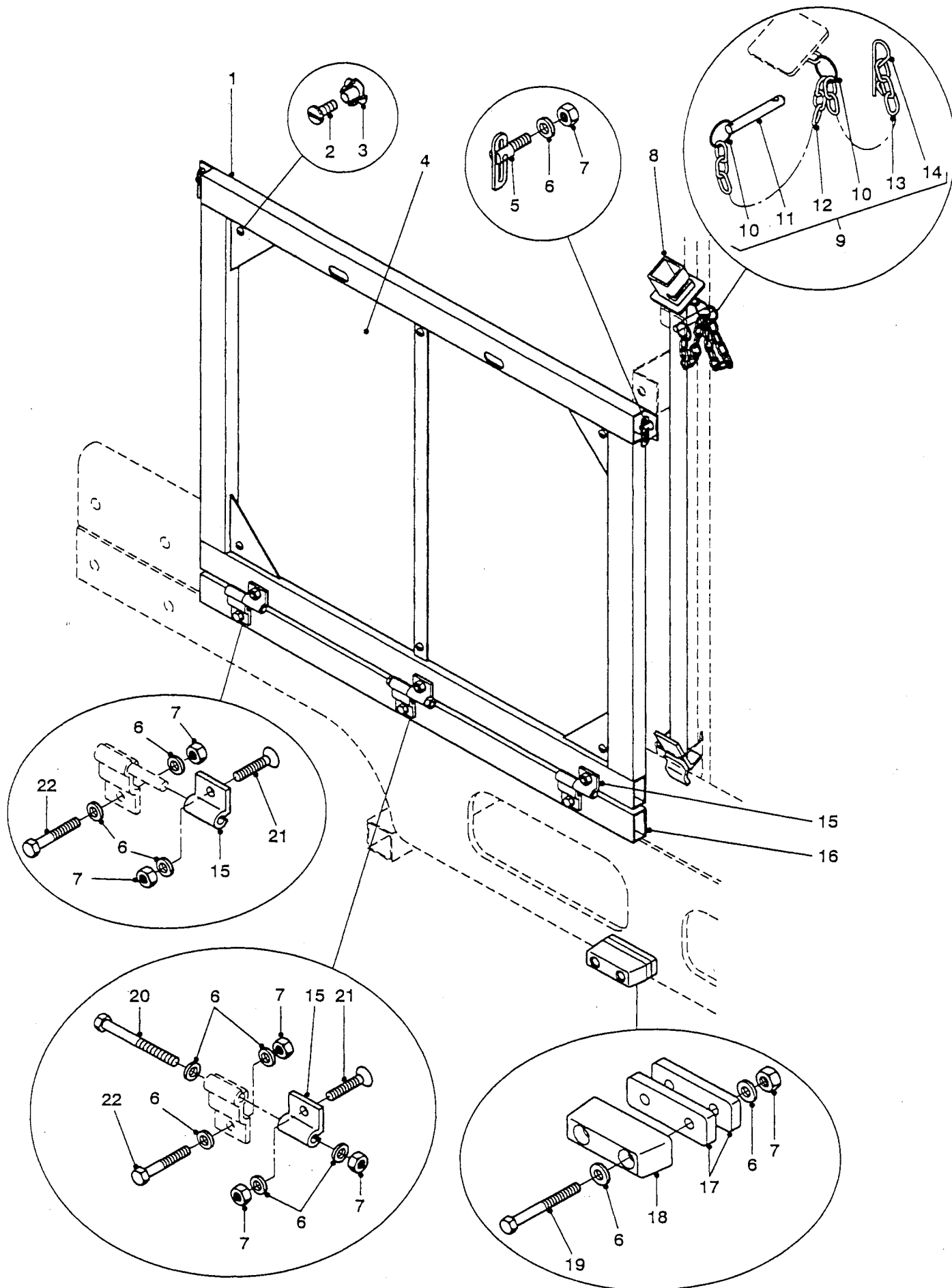
WJA UPPER SIDE DOOR ARRANGEMENT

<u>Item</u>	<u>Part No.</u>	<u>NSN</u>	<u>Description</u>	<u>Quantity</u>
16	HYM963		GROMMET, 1/2 IN. BY 3/16 IN. BLACK, PVC	2
17	FYD1717/1		PANEL, LIGHT, 3 MM BY 236 MM BY 433 MM ALUMINIUM SHEET, 5083-H321	2
18	HYM924		SWITCH, PUSH/PULL, 10 AMP, 12 V, STEEL SHAFT	4
19	HYG7624		LIGHT, ROUND, COMPLETE WITH BLUE LENS	2
	HYM919		LENS, ROUND, BLUE	2
	HYM918		GASKET, LENS	4
	HYM923		GLOBE, 12 V, 18 W., 15 MM BY 41 MM LG.	4
20	FYD1716		COVER, MESH, 404 MM BY 200 MM BY 90 MM, ARC MESH, 50 MM BY 50 MM BY 3 MM	2
21	HYM916		LIGHT, ROUND, COMPLETE WITH WHITE LENS	2
	HYM917		LENS, CLEAR	2
22			SCREW, SELF TAPPING, 3/16 IN. BY 5/8 IN.	16
23	FYD1728B		LABEL, BLUE LIGHT, SELF ADHESIVE, WHITE ON BLACK, 29 MM BY 10 MM, SCOTCH 467 MP, 0.8 MM THK.	2
24	FYD1728W		LABEL, WHITE LIGHT, SELF ADHESIVE, WHITE ON BLACK, 29 MM BY 10 MM, SCOTCH, 467 MP, 0.8 MM THK.	2
25			FASTENER, ANTI-LUCE, M8,	12
	FYD1707/LH		DOOR, L.H., UPPER, 906 MM BY 349 MM BY 25 MM	1
26	FYD1707/RH		DOOR, R.H., UPPER, 906 MM BY 349 MM BY 25 MM	1

Bush Ranger Land Rover Parts ListDerivative code - INTERIM RPIL02225

WJA UPPER SIDE DOOR ARRANGEMENT

<u>Item</u>	<u>Part No.</u>	<u>NSN</u>	<u>Description</u>	<u>Quantity</u>
27			HINGE, STAINLESS STEEL	4
28	GYD509		DECAL, WARNING, MAX. ROOF LOAD	2

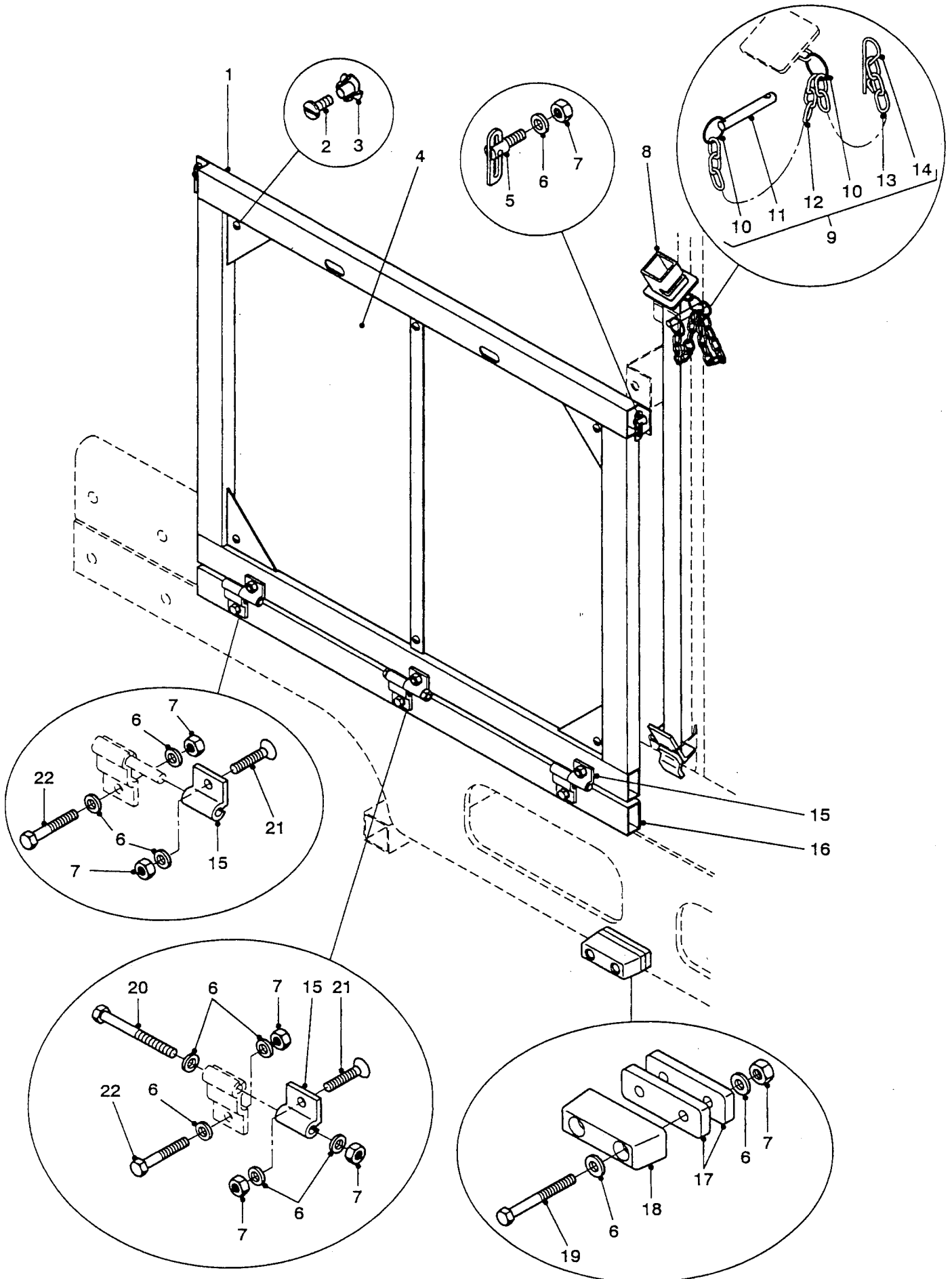


LOWER SIDE DOOR ARRANGEMENT

Bush Ranger Land Rover Parts ListDerivative code - INTERIM RPIL02225

WJB LOWER SIDE DOOR ARRANGEMENT

<u>Item</u>	<u>Part No.</u>	<u>NSN</u>	<u>Description</u>	<u>Quantity</u>
1	FYD1714		DOOR, LOWER, SIDE, FRONT CAGE	1
2	HYM925		SCREW, BUTTON HD., COMBINATION, 1/4 IN. BSW BY 3/4 IN. LG.	6
3	HYM926		NUT, WOOD, 1/4 IN. BSW	6
4	FYD1705		PANEL, WOOD, MARINE PLY, 802 MM BY 597 MM BY 15 MM	1
5			FASTENER, ANTI-LUCE, M8	1
6	WA108001		WASHER, FLAT, M8	1
7	NY108011		NUT, NYLOC, M8	1
8	FYD1708		STAY, WORK BENCH	1
9	FYD1704		'R' CLIP AND PIN ASSEMBLY	2
10	NSS		RING, KEY, 26 MM I.D. BY 30 MM O.D.	2
11	NSS		PIN, M.S. ROUND BAR, 10 MM BY 73.5 MM LG.	2
12	NSS		CHAIN, 3 MM BY 8 LINK, 125 MM LG.	2
13	NSS		CHAIN, 3 MM BY 10 LINK, 157 MM LG.	2
14	NSS		'R' CLIP, 3 MM BY 71 MM LG.	2
15	FYD0041/1		HINGE, PIN RETAINER	6
16	FYD1724/1LH		SPACER, HINGE, LH, 906 MM BY 50 MM, ALUMINIUM, P1040, C/W INNER AND OUTER HINGE BODIES	2
	FYD1724/1RH		SPACER, HINGE, RH, 906 MM BY 50 MM, ALUMINIUM, P1040, C/W INNER AND OUTER HINGE BODIES	1
	GYD670		SHIM, FRONT LOWER SIDE DOOR, ALUMINIUM SHEET, 906 MM BY 50 MM BY THICKNESS AS REQUIRED	2

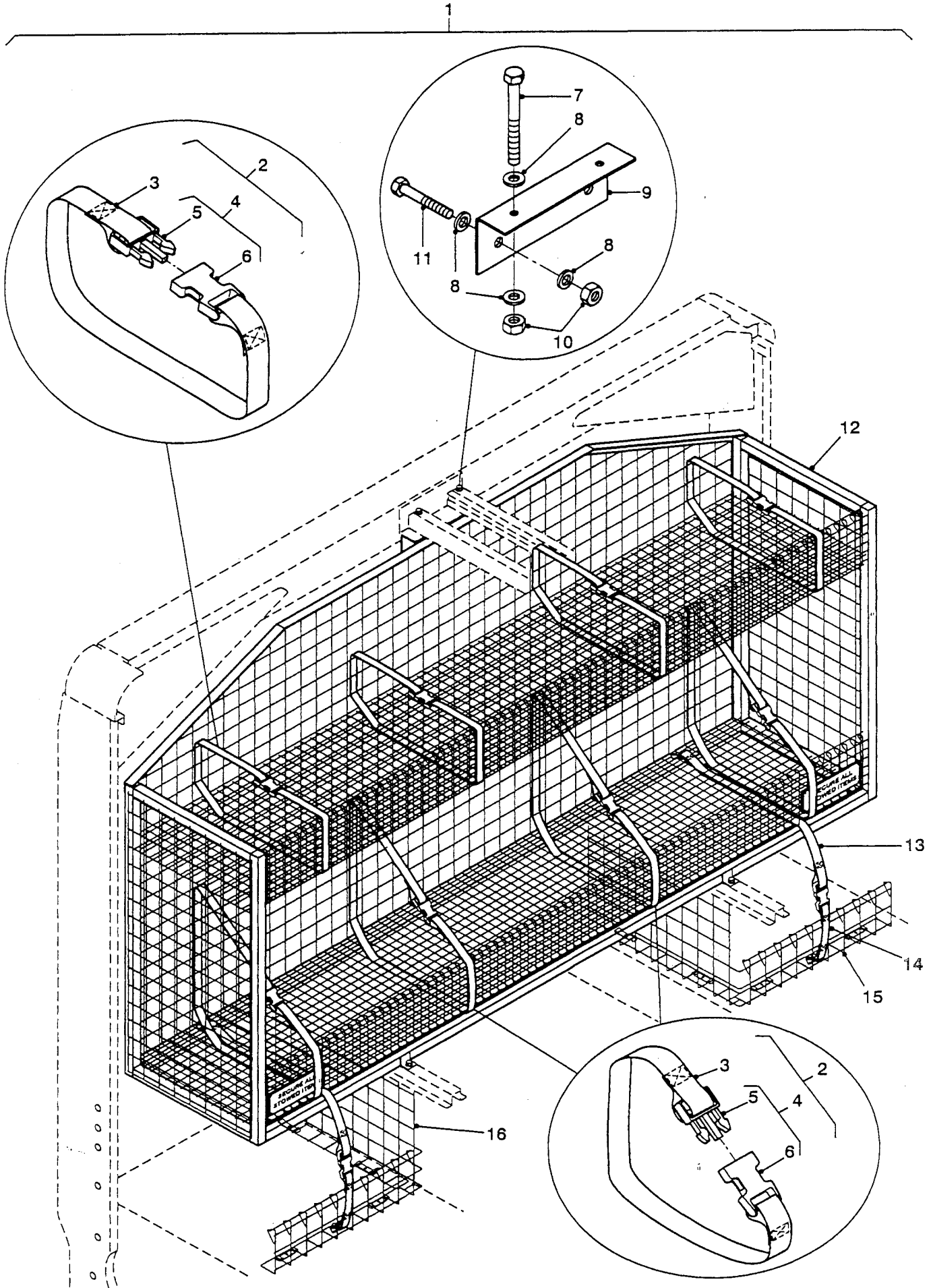


LOWER SIDE DOOR ARRANGEMENT

Bush Ranger Land Rover Parts ListDerivative code - INTERIM RPIL02225

WJB LOWER SIDE DOOR ARRANGEMENT

<u>Item</u>	<u>Part No.</u>	<u>NSN</u>	<u>Description</u>	<u>Quantity</u>
17	GYD671		SPACER, HINGE, 90 MM BY 50 MM BY 906 MM LG., ALUMINIUM, P1040, 10 MM THK.	2
18			BUMP RUBBER	2
19	BH108651		BOLT, HEX. HD., M8 BY 65 MM LG.	4
20	BH108801		BOLT, HEX. HD., M8 BY 80 MM LG.	2
21	SG108451		SCREW, COUNTERSUNK HD., M8 BY 45 MM LG.	6
22	BH108501		BOLT, HEX. HD., M8 BY 50 MM LG.	6
	GYD545		DECAL, CAUTION, HOLD STAY BEFORE LIFTING BENCH	2

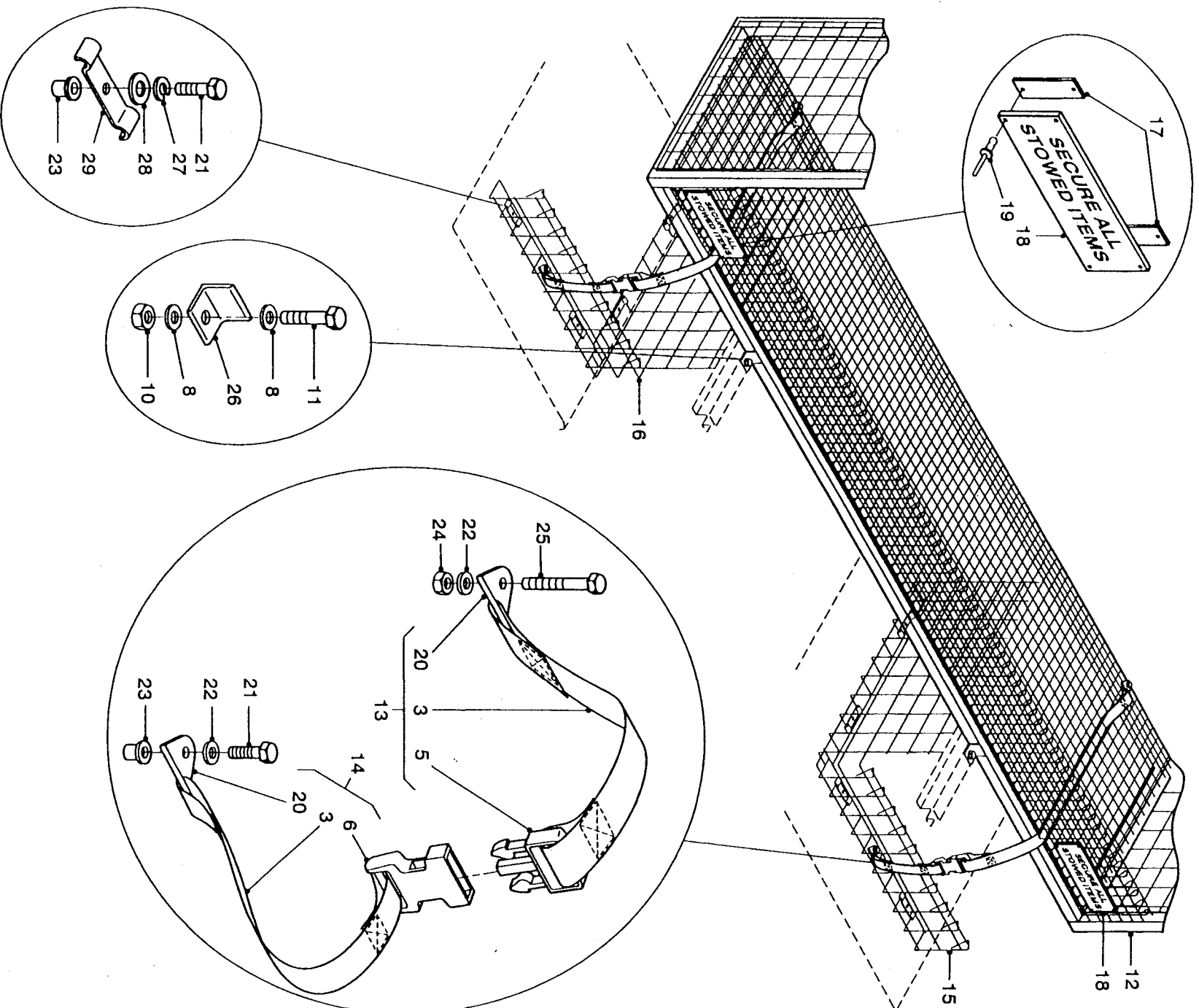


REAR CAGE ARRANGEMENT

Bush Ranger Land Rover Parts ListDerivative code - INTERIM RPIL02225

WJC REAR CAGE ARRANGEMENT

<u>Item</u>	<u>Part No.</u>	<u>NSN</u>	<u>Description</u>	<u>Quantity</u>
1	FYD1720		CAGE ASSEMBLY, REAR, 2000 MM BY 1040 MM BY 430 MM	1
2	GYD591		STRAP ASSEMBLY, CAGE, REAR, 2100 MM LG.	8
3	NSS		STRAP	1
4			CLIP, SIDE RELEASE, OLIVE	8
5	NSS		CLIP, MALE	10
6	NSS		CLIP, FEMALE	10
7	HYM928		BOLT, HEX. HD., M8 BY 70 MM LG., PAINTED BLACK	2
8	WA108001		WASHER, FLAT, STEEL, M8	10
9	FYD1720/3		ANGLE, MOUNTING, CAGE, 200 MM BY 75 MM BY 3 MM THK., STEEL GRADE 250	1
10	NY108011		NUT, NYLOC, M8	4
11	BH108051		BOLT, HEX. HD., M8 BY 25 MM LG., GRADE 8.8	4
12	NSS		CAGE, REAR	1
13	GYD589		STRAP, ASSEMBLY, 1260 MM LG.	2
14	GYD590		STRAP ASSEMBLY, 240 MM LG.	2
15	FYD1721/2		CAGE, REAR, DIVIDER, FLOOR MOUNTED, R.H., 490 MM BY 490 MM, MESH, 50 MM BY 50 MM BY 3 MM	1
16	FYD1721/1		CAGE, REAR, DIVIDER, FLOOR MOUNTED, L.H., 490 MM BY 490 MM, MESH, 50 MM BY 50 MM BY 3 MM	1
17	GYD549		PLATE, MOUNTING, 60 MM BY 20 MM	4
18	GYD550		LABEL ASSAEMBLY, "SECURE ALL STOWED ITEMS", 175 MM BY 60 MM, C/W MOUNTING PLATE	2



REAR CAGE ARRANGEMENT

Bush Ranger Land Rover Parts ListDerivative code - INTERIM RPIL02225

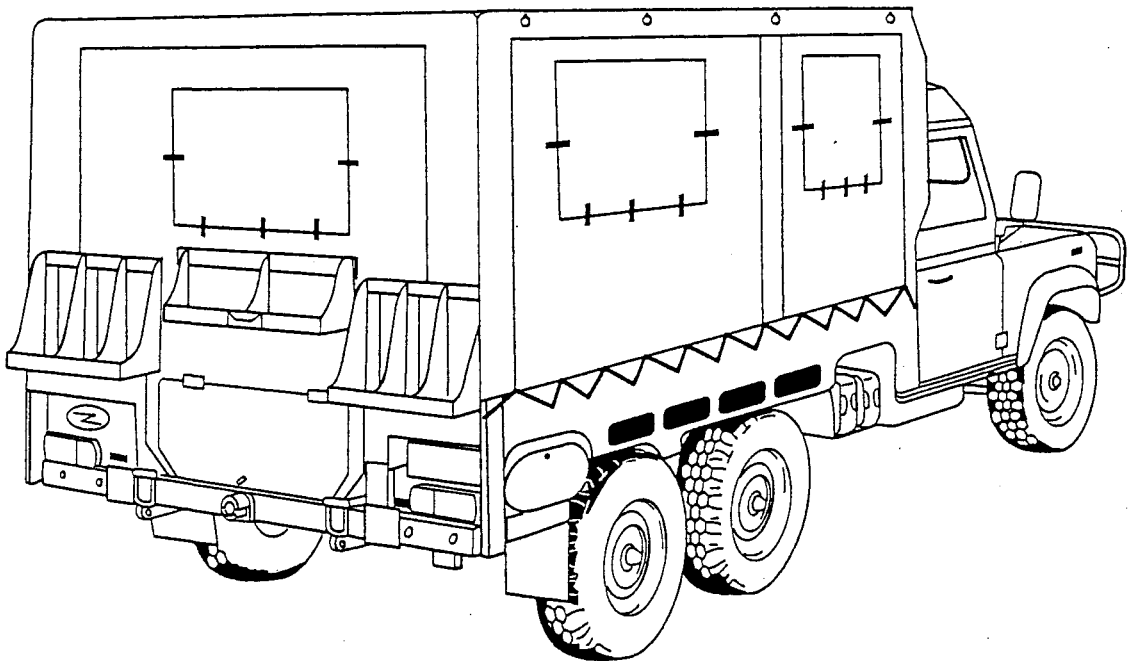
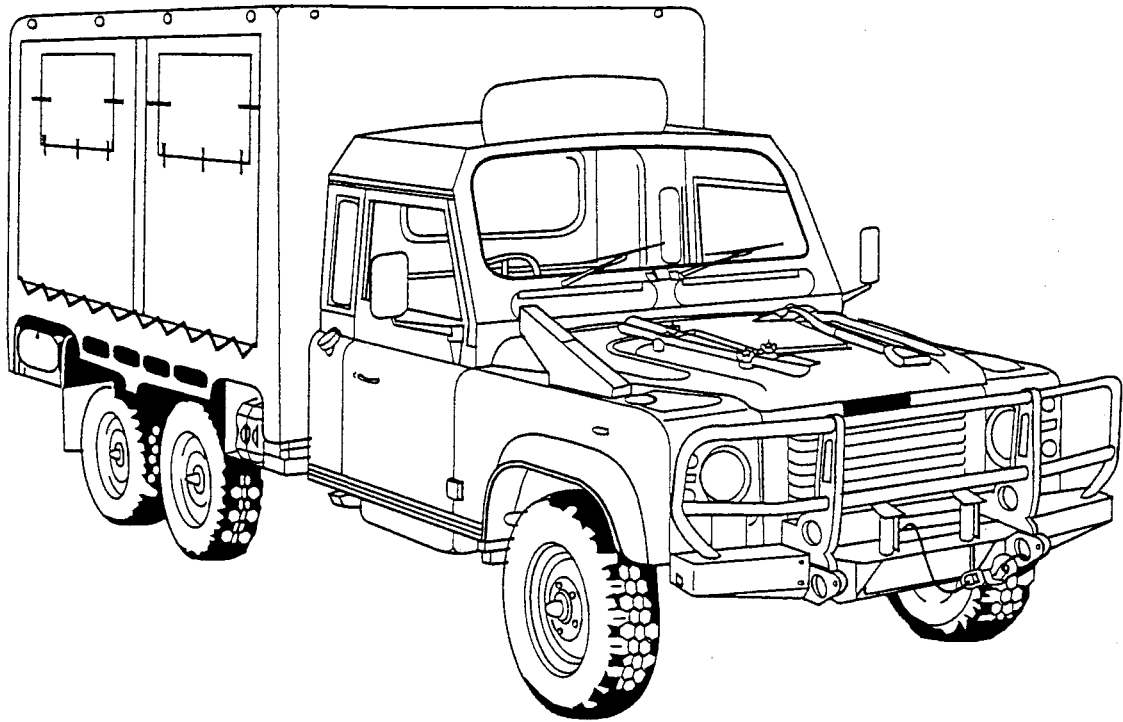
WJC REAR CAGE ARRANGEMENT

<u>Item</u>	<u>Part No.</u>	<u>NSN</u>	<u>Description</u>	<u>Quantity</u>
19			RIVET, POP, ALUMINIUM ALLOY, 4 MM.BY 16.3 MM LG.	8
20	NSS		BRACKET, STRAP MOUNTING	2
21	SH106251		SCREW, HEX. HD., M6 BY 25 MM	32
22	WA106001		WASHER, FLAT, STEEL, M6	46
23	MM106451		NUT, RIVET, M6	20
24	NY106041		NUT, NYLOC, M6	14
25	BH106451		BOLT, HEX. HD., M6 BY 45 MM	2
26	NSS		ANGLE, MOUNTING	2
27	WL106001		WASHER, LOCK, M6	18
28	WA106001		WASHER, FLAT, M6	46
29	HYM929		CLAMP, MESH, SPECIAL SHAPE	16
			WEBBING, DRAB OLIVE, 25 MM W. BY 2100 MM LG.	1

INTENTIONALLY

LEFT

BLANK



**TRUCK, LIGHT, MORTAR CARRIER, FFR,
WINCH, MC2, LAND ROVER 110 6 X 6.**

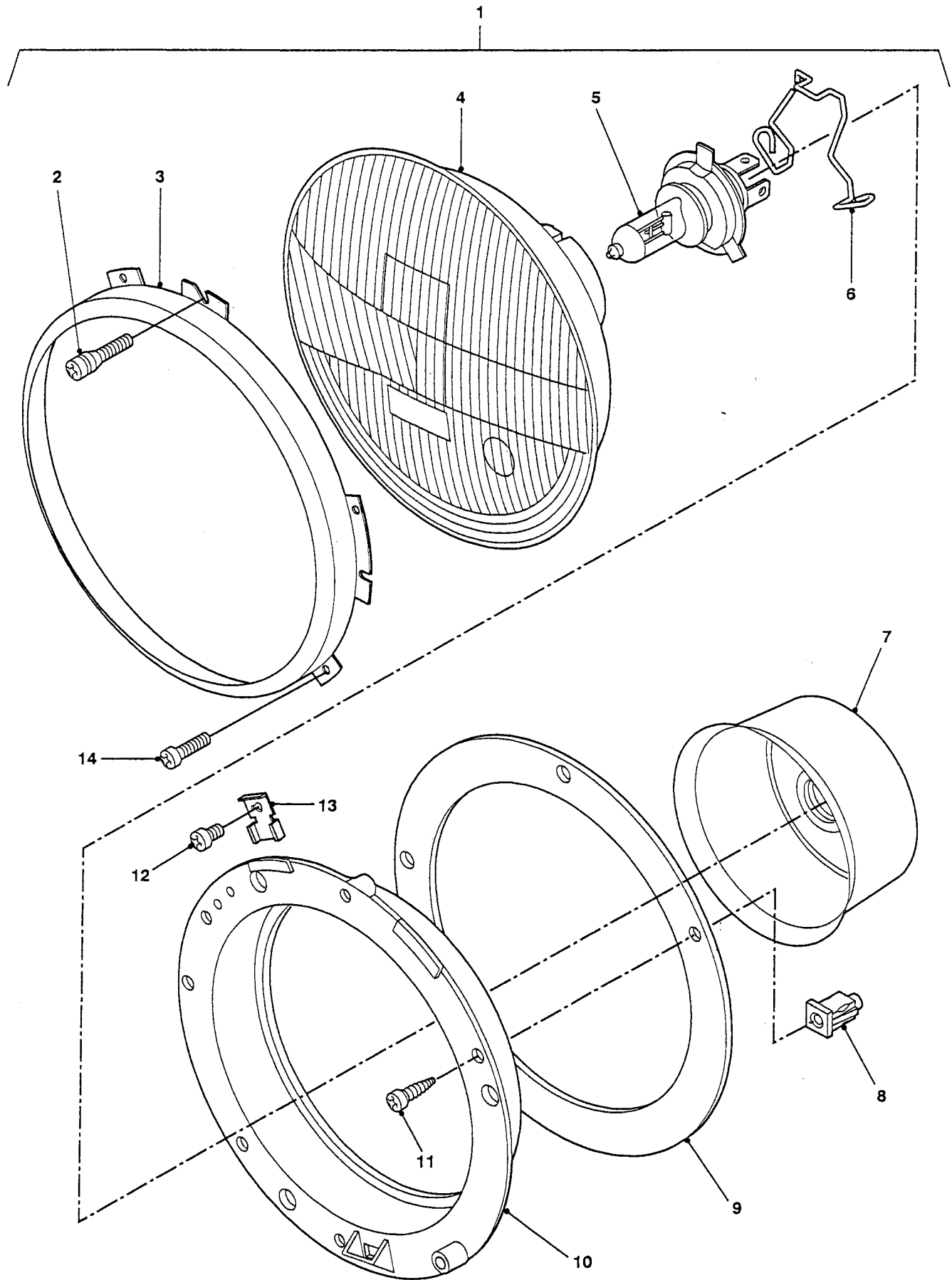
INTENTIONALLY

LEFT

BLANK

Bush Ranger Land Rover Group Index ListDerivative code - INTERIM RPIL02226

<u>Group</u>	<u>Group Description</u>
QJA	HEADLAMP ASSEMBLY
QJC	FRONT PARK AND TURN INDICATOR LAMPS
RH	SPARE TYRE RACK
SLA	REAR SEAT BELTS
SR	CANOPY
SS	REAR SEAT ASSEMBLY - COMMAND POST
SSA	REAR SEAT ASSEMBLY - CREW
W	MODULE ASSEMBLY - MORTAR
WA	FRAME AND FLOOR
WB	ROOF ASSEMBLY
WC	ROLL OVER PROTECTION
WE	INTERIOR FIXTURES (COMMAND POST)
WEA	CONSOLE - COMMAND POST
WEB	RADIO FRAME AND BRACKETS
WEC	INTERCOM SYSTEM - VEHICLE CABIN
WEC	INTERCOM SYSTEM - MODULE
WED	UNDER SEAT STOWAGE BINS
WEE	FLOOR ACCESS DOOR
WEF	WORK TABLE, LIGHT AND MOUNTING BRACKETS
WEG	VOLTAGE REDUCER AND MOUNTING BRACKETS
WEH	PARTITION AND MOUNTING BRACKETS
WF	EXTERIOR FITTINGS - MODULE
WG	REAR SEAT FRAME ASSEMBLY - CREW
WGA	REAR SEAT FRAME ASSEMBLY - COMMAND POST

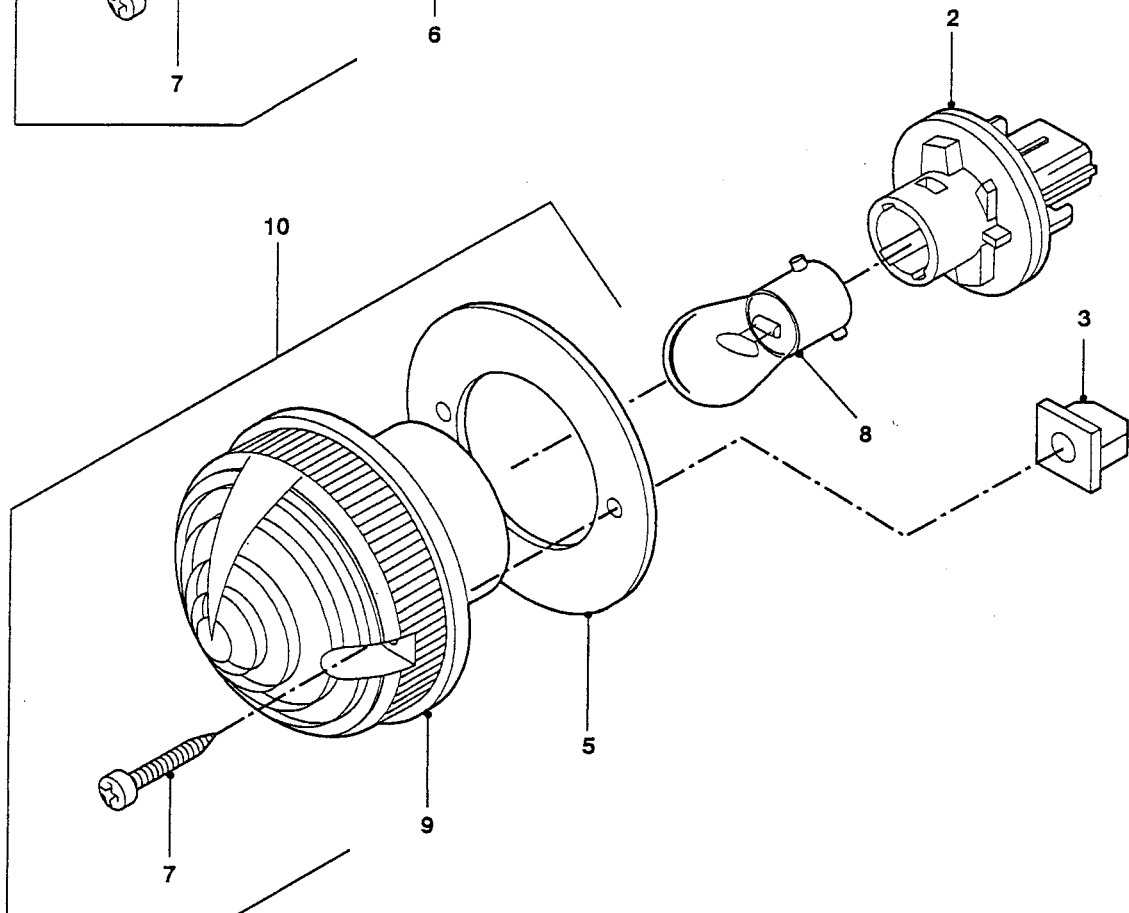
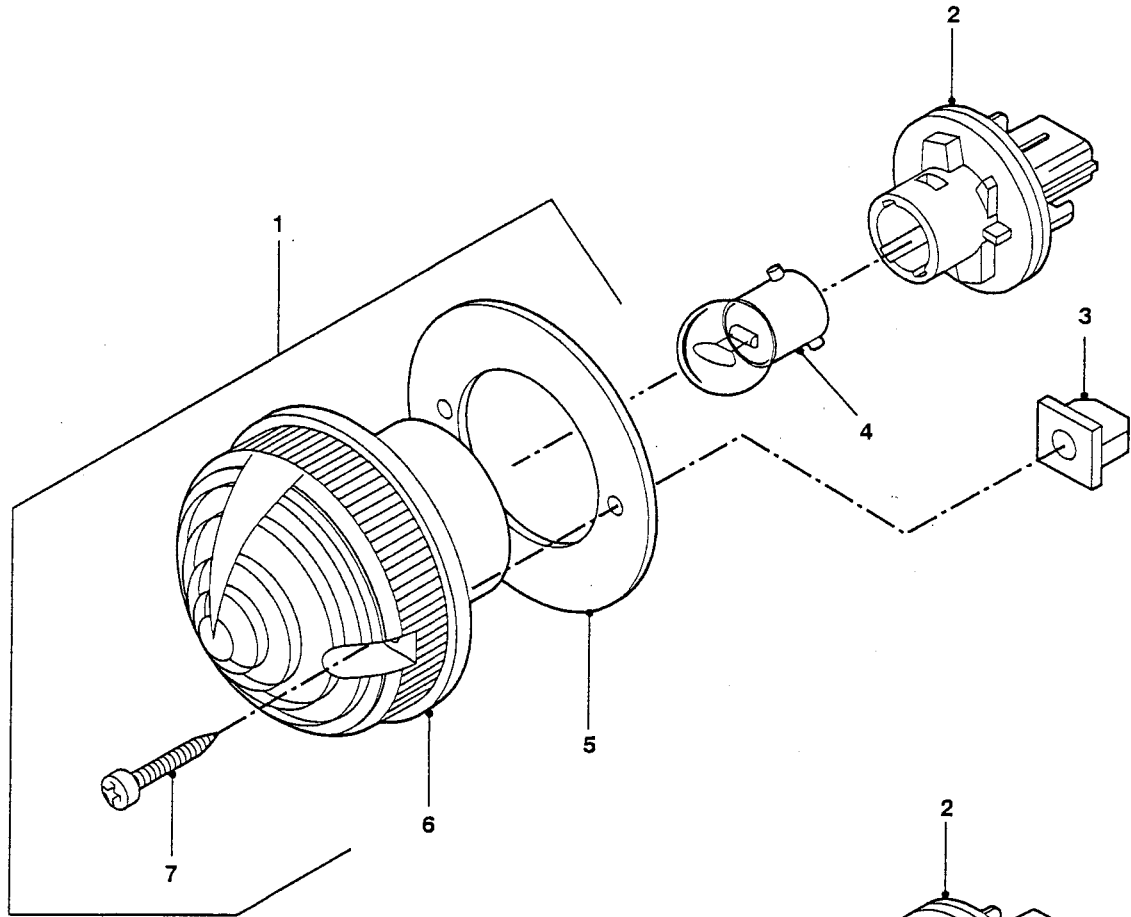


HEADLAMP ASSEMBLY

Bush Ranger Land Rover Parts ListDerivative code - INTERIM RPIL02226

QJA HEADLAMP ASSEMBLY

<u>Item</u>	<u>Part No.</u>	<u>NSN</u>	<u>Description</u>	<u>Quantity</u>
1	AMR2344		HEADLAMP ASSEMBLY	2
2	NSS		SCREW, ADJUSTING & FIXING LIGHT UNIT TO BODY.	4
3	STC1485		BEZEL, HEADLAMP, BLACK.	2
4	STC1209		UNIT, LIGHT.	2
5	R589783	6240-66-108-4835	GLOBE, HEADLAMP H4, 60/55 WATT, QUARTZ HALOGEN.	2
6	STC1851		CLIP, SECURING, GLOBE TO LIGHT UNIT.	2
7	STC951		COVER, INSULATION, HEADLAMP GLOBE.	2
8	R79501		NUT, LOKUT, SPECIAL PLASTIC, No. 8 DRIVE SCREW.	8
9	STC1612		GASKET, HEADLAMP BODY.	2
10	STC1613		BODY, HEADLAMP	2
11	AB608047L		SCREW, TAPPING, THREAD FORMING, STEEL PAN HD, RECESSED, No. 8 X 1/2 IN.	8
12	NSS		SCREW, FIXING, LIGHT UNIT TO BODY.	2
13	NSS		CLIP, FIXING, LIGHT UNIT TO BODY.	6
14	NSS		SCREW, FIXING, BEZEL TO BODY.	6
	STC1614		KIT, FIXINGS.	2

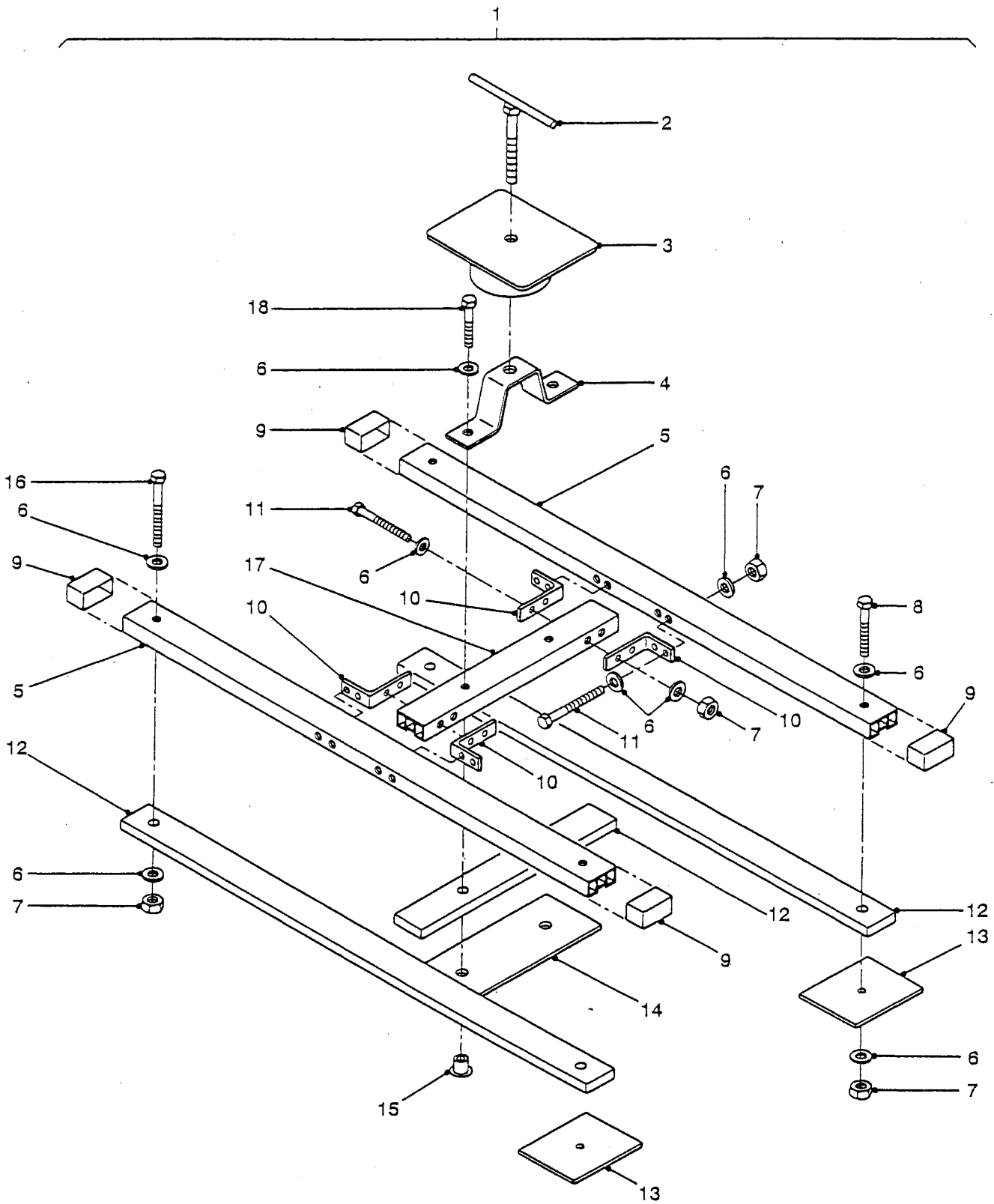


**FRONT PARK AND TURN
INDICATOR LAMPS**

Bush Ranger Land Rover Parts ListDerivative code - INTERIM RPIL02226

QJC FRONT PARK AND TURN INDICATOR LAMPS

<u>Item</u>	<u>Part No.</u>	<u>NSN</u>	<u>Description</u>	<u>Quantity</u>
1	STC1227		LENS AND BODY ASSY, FRONT PARK LAMP	2
2	XBP100180		GLOBE HOLDER	4
3	RTC3745		LOCKUT	8
4	R10211		GLOBE, SINGLE FILAMENT, 12V, 6W	2
5	NSS		GASKET, LENS AND BODY ASSY.	4
6	NSS		LENS AND BODY, FRONT PARK LAMP	2
7	NSS		SCREW, LENS AND BODY	8
8	R264591		GLOBE, SINGLE FILAMENT, 12V, 21W	2
9	NSS		LENS AND BODY, FRONT INDICATOR	2
10	STC1228		LENS AND BODY ASSY, FRONT INDICATOR	2

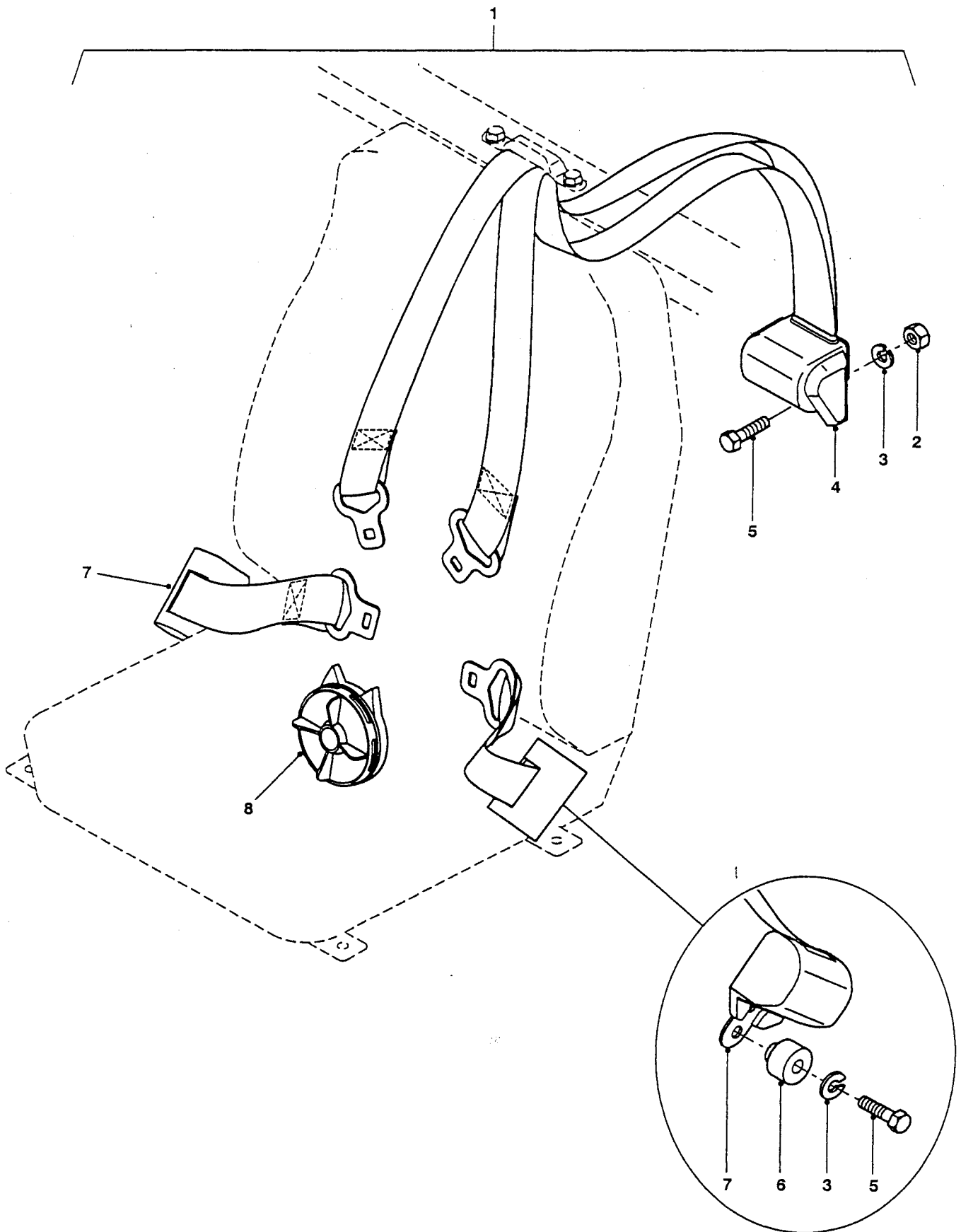


SPARE TYRE RACK

Bush Ranger Land Rover Parts ListDerivative code - INTERIM RPIL02226

RH SPARE TYRE RACK

<u>Item</u>	<u>Part No.</u>	<u>NSN</u>	<u>Description</u>	<u>Quantity</u>
1			SPARE WHEEL CARRIER ASSEMBLY	1
2	FYD0073/5	5306-66-142-8885	TEE BOLT	1
3	FYD0073/4	2590-66-142-8881	CLAMP, SPARE WHEEL RETAINING	1
4	FYD0073/3		BRACKET, SPARE WHEEL RETAINING	1
5	FYD0073/1		RAIL, LONGITUDINAL	2
6	WA108054		WASHER, FLAT, M8	34
7	NZ108044		NUT, SELF LOCKING, M8	12
8	BH108121		BOLT, HEX. HD., M8 BY 60 MM LG.	2
9	HYM948		END CAP, PLASTIC, 750 SEMI RIGID PLASTICISED PVC, 89 DURO, BLACK.	4
10	FYD0073/6		BRACKET, RETAINING	4
11	BH108151		BOLT, HEX. HD., M8 BY 75 MM LG.	12
12	FYD0073/7		MOUNT, RUBBER, KIT	1
13	FYD0073/8		SPACER, PLATE	2
14	FYD0073/9		SPACER PLATE, CENTRE	1
15	FYD0747		NUT, SOCKET, M8	2
16	BH108171		BOLT, HEX. HD., M8 BY 85 MM LG.	2
17	FYD0073/2		RAIL, TRANSVERSE	1
18	BH10810		BOLT, HEX. HD., M8 BY 50 MM LG.	2

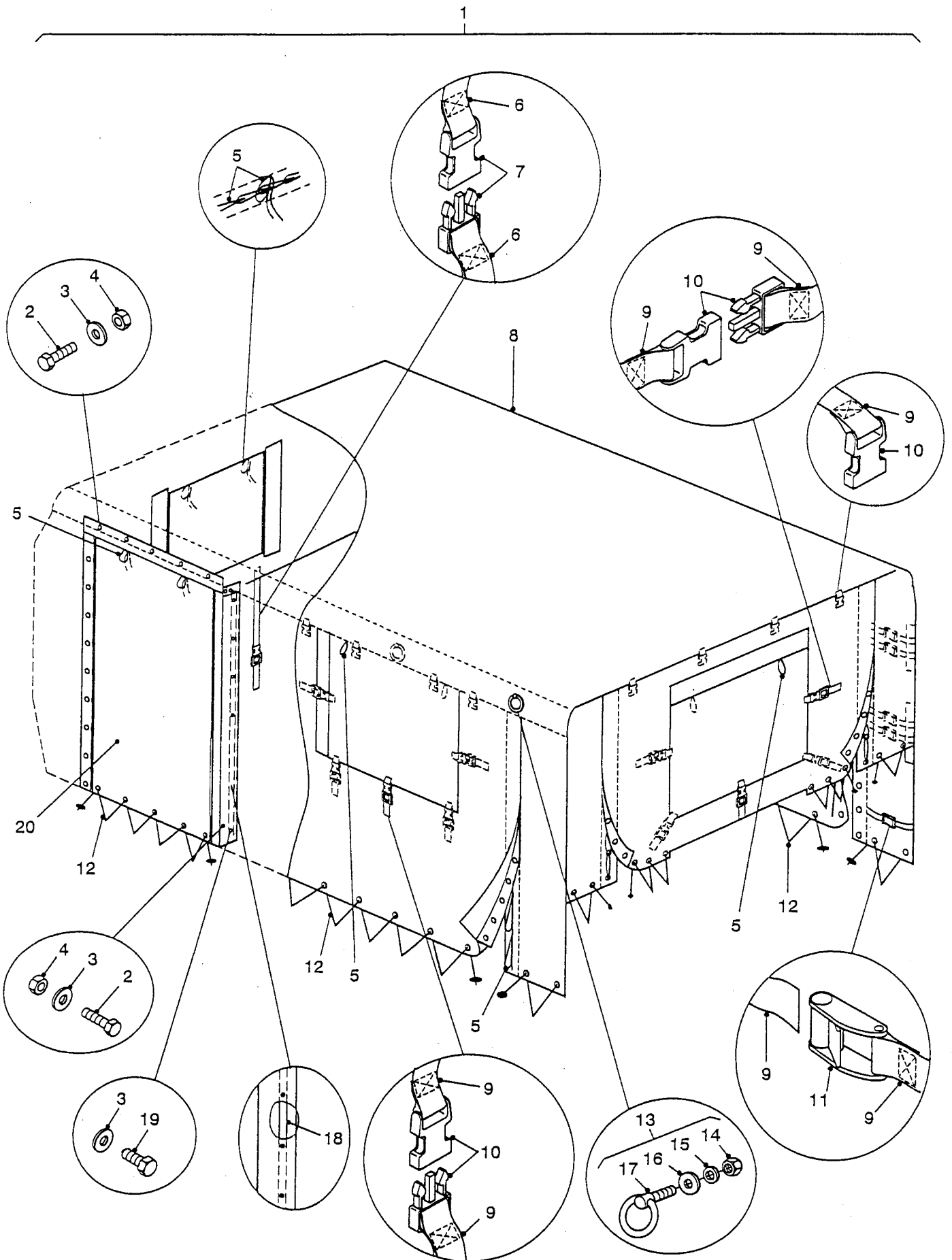


REAR SEAT BELTS

Bush Ranger Land Rover Parts ListDerivative code - INTERIM RPIL02226

SLA REAR SEAT BELTS

<u>Item</u>	<u>Part No.</u>	<u>NSN</u>	<u>Description</u>	<u>Quantity</u>
1	HYG7604		RESTRAINT SYSTEM, RETRACTABLE, FULL HARNESS, FIXED ANCHOR	8
2	HYG7608		NUT, PLAIN	8
3	HYG7607	5310-99-138-9228	WASHER, LOCK	24
4	HYG7605	2540-66-139-2034	HARNESS ASSEMBLY, REEL AND SHIELD	8
5	HYG7606		BOLT, HEX. HD., 7/16 IN., 20 BY 1 IN. LG., GRADE 8	24
6	HYG7609		BUSHING, RETRACTOR	16
7	HYG7610		LAP BELT ASSY.	16
8	HYG7611		BUCKLE	8

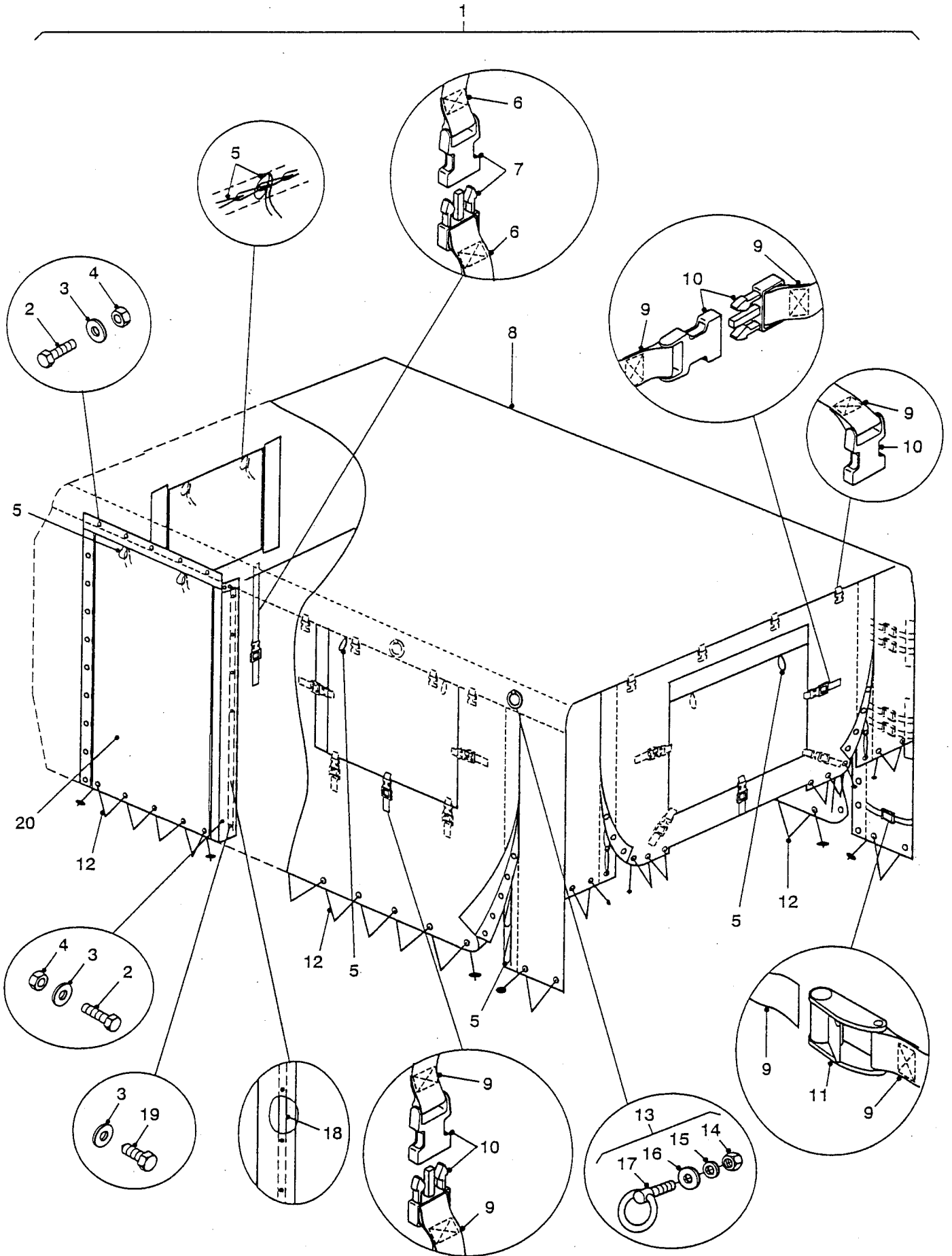


CANOPY AND BLACKOUT CANVAS

Bush Ranger Land Rover Parts ListDerivative code - INTERIM RPIL02226

SR CANOPY

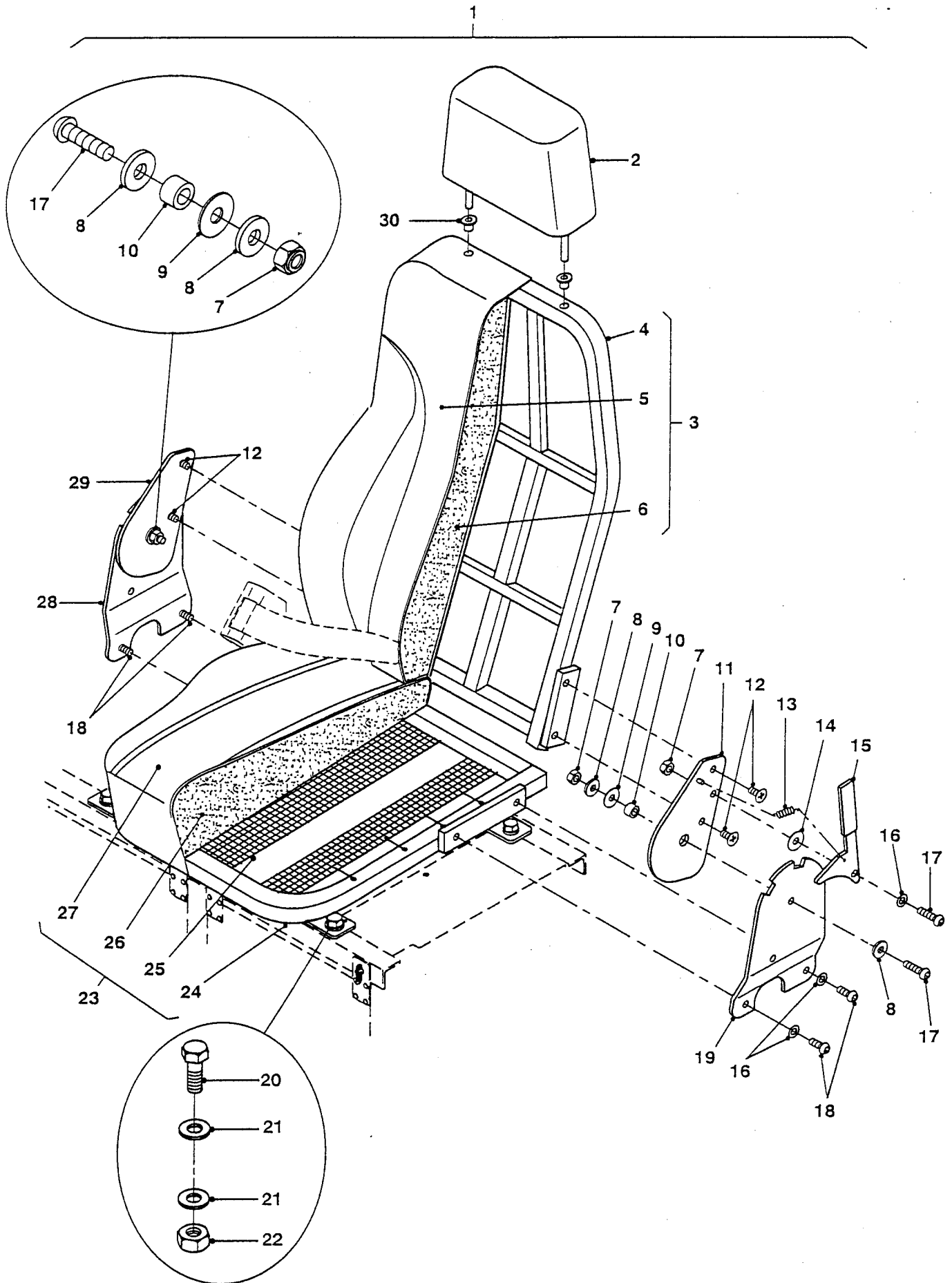
<u>Item</u>	<u>Part No.</u>	<u>NSN</u>	<u>Description</u>	<u>Quantity</u>
1	GYD709	2540-66-139-2036	CANOPY ASSEMBLY, MORTAR	1
2	MYH3760		SCREW, MUSHROOM HD., CROSS RECESS, M6 BY 12 MM LG.	16
3	WA106001		WASHER, FLAT, M6	30
4	NZ106041		NUT, NYLOCK, M6	16
5	NSS		CORD, DBG DIY DIA. 4 MM POLY ROPE KINNEARS	1
6	NSS		WEBBING, BLACK, 25 MM W., 40 MR. ROLL	1
7	HYM951		SIDE RELEASE, BLACK	5
8	NSS		CANOPY, BRADMILL STYLE 32 234 183, KORDUX WAR & DEF FINISH AS3567	1
	NSS		VELCRO TOUCHFAST, HOOK, BLACK, 50 MM, 25 MR. ROLL	1
	NSS		VELCRO TOUCHFAST, LOOP BLACK, 50 MM, 25 MR. ROLL	1
	NSS		ZIP, BLACK, NO. 10 SPIRAL, YKK, 100 MR. ROLL	2
	NSS		TREATMENT, WATER PROOFING, 2 L CONTAINER	1
9	NSS		WEBBING, DRAB OLIVE, 25 MM W., 40 MR. ROLL	1
10	HYM949		SIDE RELEASE, DRAB OLIVE	53
11	NSS		SHOCK CORD, 6 MM DIA., SOLID, BLACK, 100 MR. ROLL	1
12	HYM950		CAMLOCK, PLASTIC	6
13	GYD515		RING BOLT ASSEMBLY	8
14	NZ304041		NUT, SELF LOCKING, HEX., 1/4 IN., BSW, ZINC PLATED, BLACK	10



CANOPY AND BLACKOUT CANVAS

Bush Ranger Land Rover Parts ListDerivative code - INTERIM RPIL02226

SR	CANOPY			
<u>Item</u>	<u>Part No.</u>	<u>NSN</u>	<u>Description</u>	<u>Quantity</u>
15	WA106044		WASHER, FLAT, 1/4 IN., ZINC PLATED, BLACK	10
16	WJ600041L		WASHER, FLAT, 22.2 MM O.D. BY 6.8 MM I.D., ZINC PLATED, BLACK	10
17	GYD514		RINGBOLT, 35 MM O.D., 25 MM I.D., BOLT 21 MM LG., BLACK OXIDE COATING	1
18	NSS		STRIP, ALUMINIUM SHEET 5251 H34, 1.6 MM BY 25 MM BY 1270 MM LG.	2
19	SM106201		SCREW, SELF DRILLING, HEX HD.,6g BY 20 MM LG.	14
20	GYD736		CANVAS, BLACKOUT, 1045 MM BY 1380 MM	2

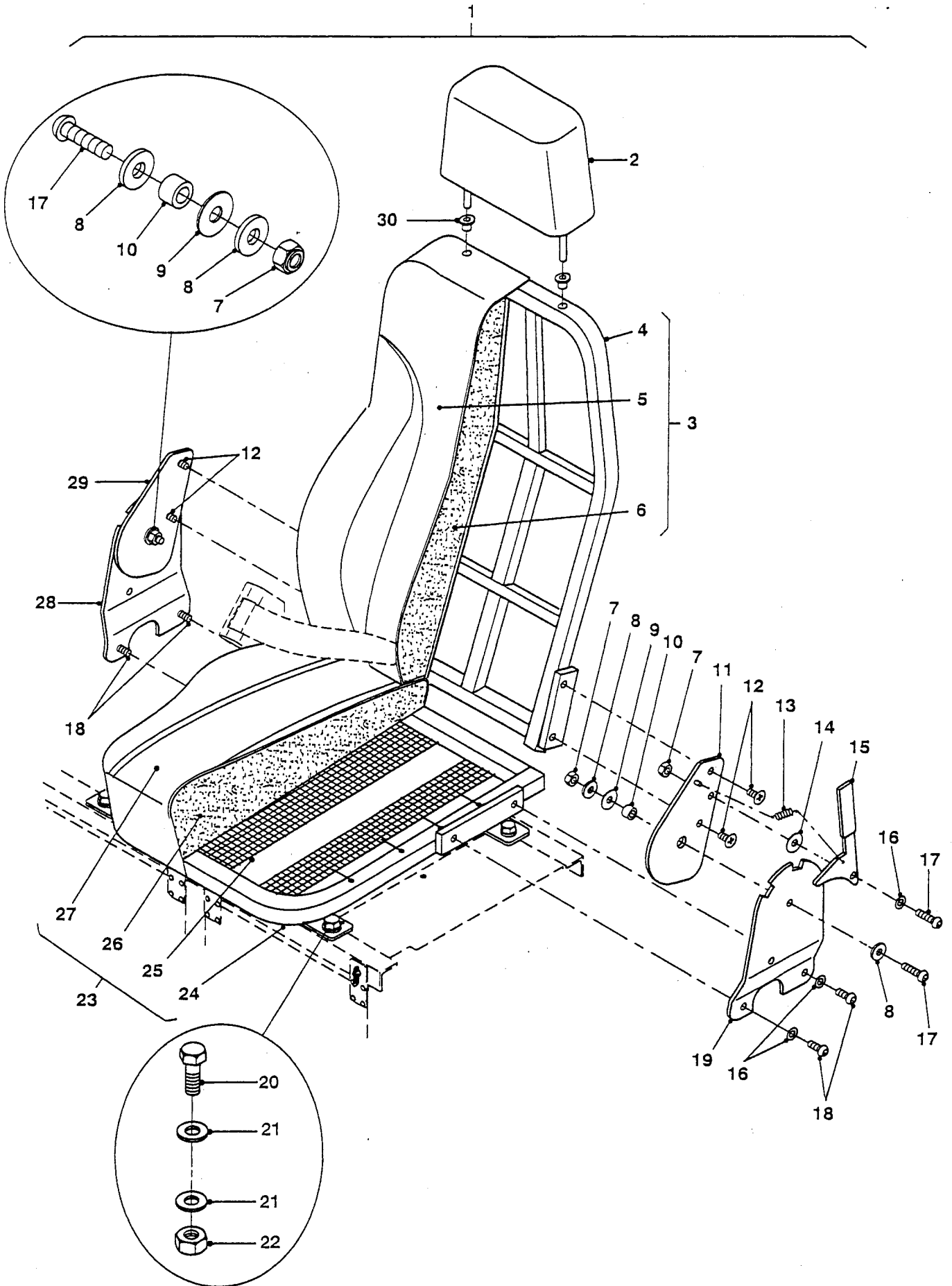


REAR SEAT ASSEMBLY - COMMAND POST A

Bush Ranger Land Rover Parts ListDerivative code - INTERIM RPIL02226

SS REAR SEAT ASSEMBLY - COMMAND POST

<u>Item</u>	<u>Part No.</u>	<u>NSN</u>	<u>Description</u>	<u>Quantity</u>
1	HYM894		SEAT ASSEMBLY, TILT	2
	BYG8019	2540-66-142-8882	COVER, PROTECTIVE, SEAT BACK	2
	BYG8024		COVER, PROTECTIVE, SEAT SQUAB	2
2	HYM870		HEAD REST, SEAT, 290 MM LG. BY 175 MM BY 65 MM THK WITH 2 GUIDE RAILS, 8 MM DIA.	2
3	HYM898		SQUAB ASSEMBLY, SEAT	1
4	NSS		FRAME, SEAT BACK, STEEL	2
5	HYM899		COVER, SQUAB	1
6	NSS		FOAM, SEAT, SQUAB	2
7	HYM905		NUT, NYLOCK, M8	2
8	HYM902		WASHER, FLAT, M8 BY 22 MM BY 3 MM	8
9	HYM884		WASHER, SPECIAL SHAPE	2
10	HYM906		BUSH, PIVOT	2
11	HYM909		MECHANISM, UPPER, L/H	1
12	HYM901		BOLT, M8 BY 12 MM LG., COUNTERSUNK, CROSS HD.	4
13	HYM958		SPRING, LOCK LEVER RETURN	1
14	HYM910		BUSH, TILT LOCK	1
15	HYM911		LOCK, TILT	1
16	HYM903		WASHER, FELT, M8	5
17	HYM876		BOLT, M8 BY 25 MM LG., BHCS	3
18	HYM427		BOLT, M8 BY 12 MM LG., BHCS	4
19	HYM912		MECHANISM, LOWER, L/H	1
20	BH110401		BOLT, HEX HD, M8 BY 40 MM LG.	8

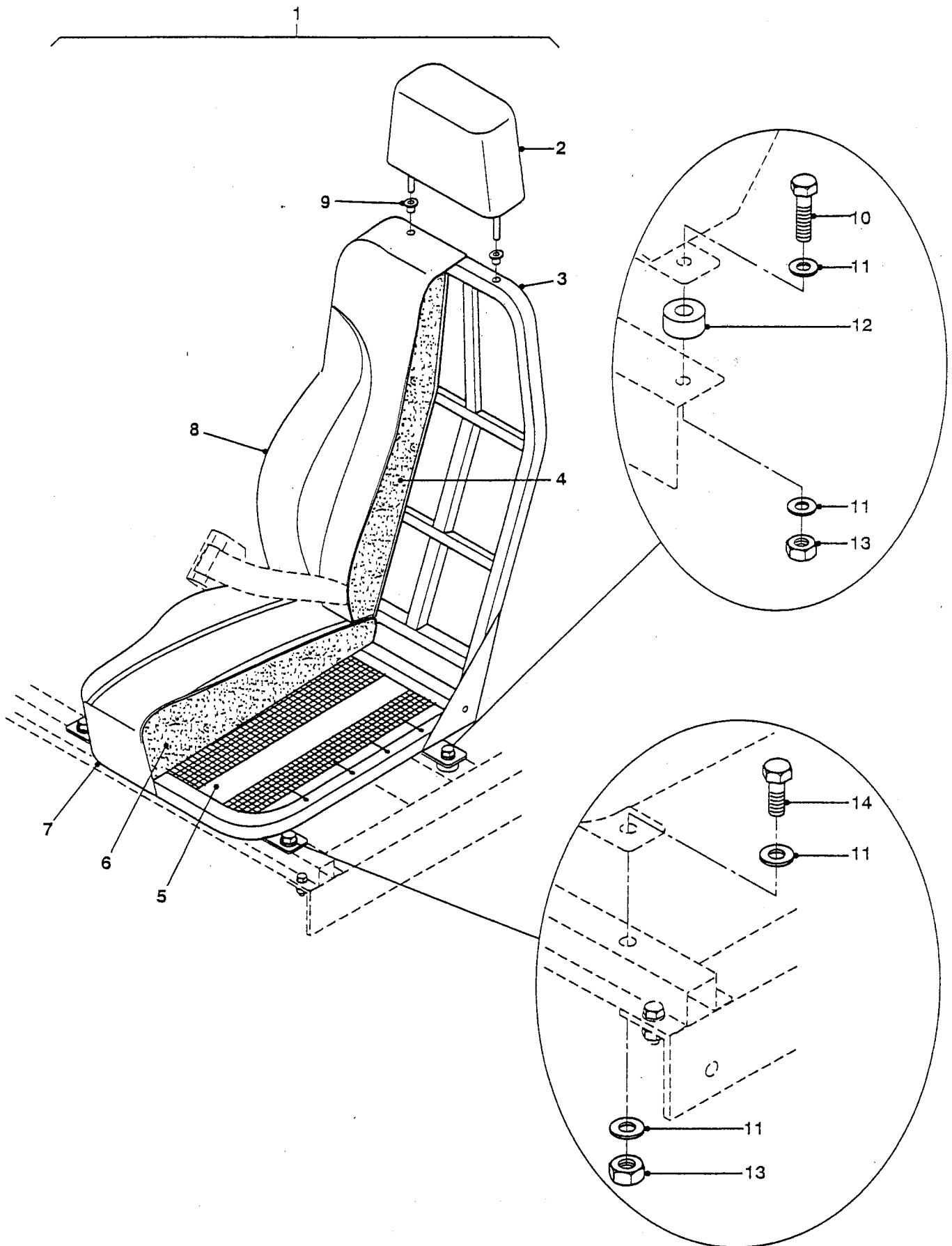


REAR SEAT ASSEMBLY - COMMAND POST A

Bush Ranger Land Rover Parts ListDerivative code - INTERIM RPIL02226

SS REAR SEAT ASSEMBLY - COMMAND POST

<u>Item</u>	<u>Part No.</u>	<u>NSN</u>	<u>Description</u>	<u>Quantity</u>
21	WA108001		WASHER, FLAT, M8	16
22	NY108001		NUT, NYLOCK, M8	8
23	HYM907		CUSHION ASSEMBLY	1
24	NSS		FRAME, LOWER	1
25	NSS		WEBB ASSEMBLY	1
26	NSS		FOAM ASSEMBLY	1
27	HYM908		COVER, CUSHION	1
28	HYM904		MECHANISM, LOWER, R/H	1
29	HYM900		MECHANISM, UPPER, R/H	1
30	HYM871		BUSH,TRIM, HEADREST	2



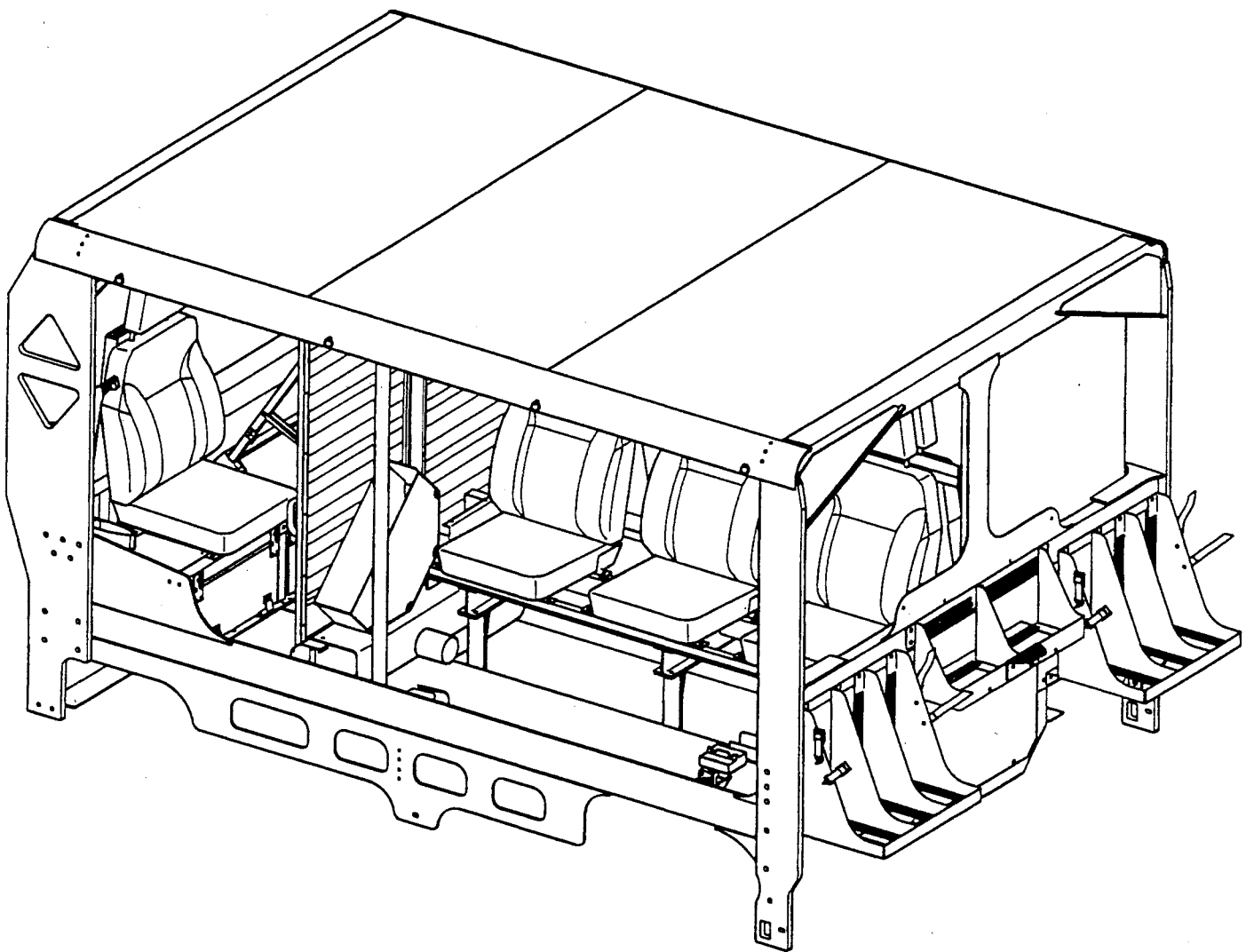
REAR SEAT ASSEMBLY - CREW

Bush Ranger Land Rover Parts ListDerivative code - INTERIM RPIL02226

SSA REAR SEAT ASSEMBLY - CREW

<u>Item</u>	<u>Part No.</u>	<u>NSN</u>	<u>Description</u>	<u>Quantity</u>
1	HYM891		SEAT ASSEMBLY, PASSENGER, SIDE, REAR	6
	BYG8019	2540-66-142-8882	COVER, PROTECTIVE, SEAT BACK	6
	BYG8023	2540-66-142-8883	COVER, PROTECTIVE, SEAT SQUAB	6
2	HYM870		HEAD REST, SEAT, 290 MM LG. BY 175 MM BY 65 MM THK., WITH 2 GUIDE RAILS, 8 MM DIA.	1
3	NSS		FRAME, SEAT BACK, STEEL	1
4	NSS		FOAM, SEAT, SQUAB	1
5	NSS		WEBBING, SEAT BASE	1
6	NSS		FOAM, SEAT, BASE	1
7	HYM959		COVER, SEAT, BASE	1
8	HYM960		COVER, SEAT, SQUAB	1
9	HYM871		BUSH, HEADREST TRIM, 25 MM FLANGE DIA., 10 MM I.D. HOLE	2
10	BH110091L		BOLT, HEX HD., M10 BY 45 MM LG., ZINC PLATED, FE/ZN, BLACK	12
11	WA110061L		WASHER, FLAT, M10, ZINC PLATED, FE/ZN, BLACK	48
12	FYD0045		SPACER, SEAT, POLYURETHANE	12
13	NY110041L		NUT, SELF LOCKING, HEX., M10, ZINC PLATED, FE/ZN, BLACK	24
14	SH110301L		BOLT, HEX. HD., M10 BY 30 MM LG., ZINC PLATED, FE/ZN, BLACK	12

1

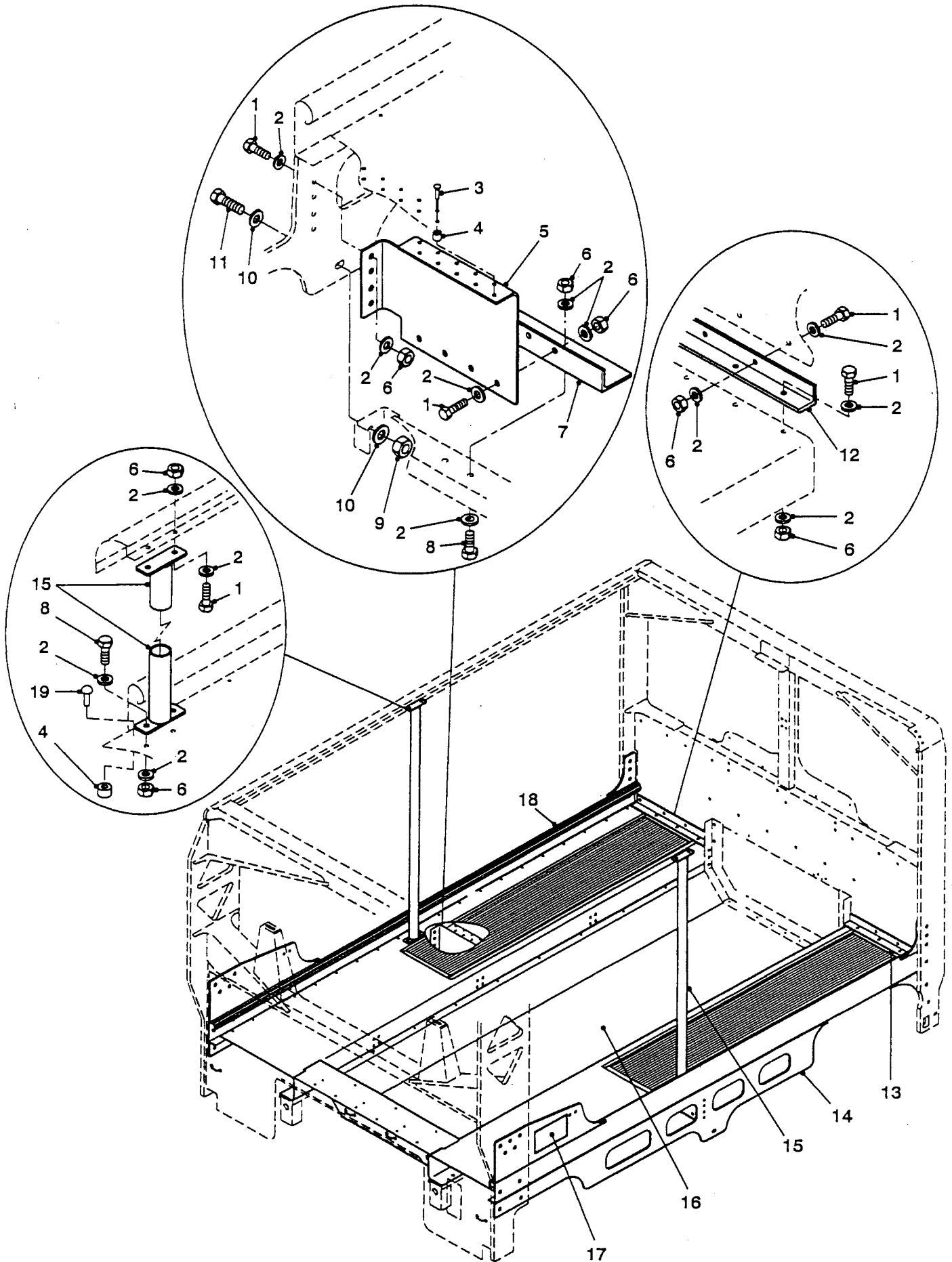


MODULE ASSEMBLY - MORTAR CARRIER A

Bush Ranger Land Rover Parts ListDerivative code - INTERIM RPIL02226

W MODULE ASSEMBLY - MORTAR

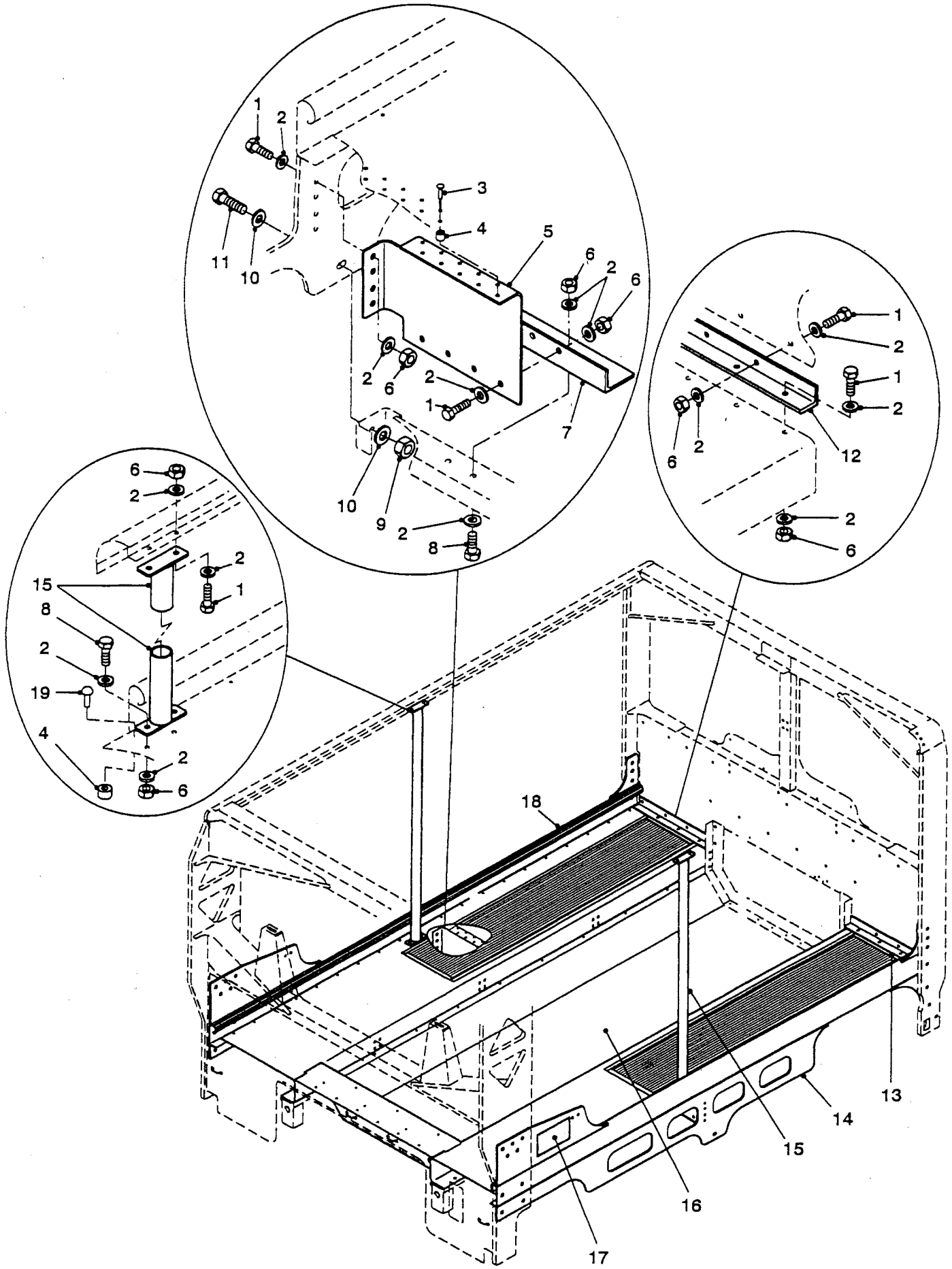
<u>Item</u>	<u>Part No.</u>	<u>NSN</u>	<u>Description</u>	<u>Quantity</u>
1			MODULE ASSEMBLY, MORTAR, COMPLETE	1



FRAME AND FLOOR

Bush Ranger Land Rover Parts ListDerivative code - INTERIM RPIL02226

WA		FRAME AND FLOOR		
<u>Item</u>	<u>Part No.</u>	<u>NSN</u>	<u>Description</u>	<u>Quantity</u>
1	BH110064		BOLT, HEX. HD., M10 BY 30 MM LG., ZINC PLATED, BLACK	32
2	WA110064		WASHER, FLAT, STEEL, M10, ZINC PLATED, BLACK	80
3			RIVET, FLUSH HD., 1/4 IN. BY 0.810 IN. LG., STEEL, ZINC PLATED	20
4	HYM931		COLLAR, FULL, AVDELOK, 1/4 IN., STEEL, ZINC PLATED	104
5	FYD0082/1L		GUSSET, UNDER FLOOR, 3.5 MM, ALUMINIUM PLATE, 5083 H321, LEFT	2
	FYD0082/1R		GUSSET, UNDER FLOOR, 3.5 MM, ALUMINIUM PLATE, 5083 H321, RIGHT	1
6	NZ110044		NUT, SELF LOCKING, HEX., M10, ZINC PLATED, BLACK	40
7	FYD1013/2		ANGLE, INTERMEDIATE UNDER FLOOR PLATE TO CHASSIS, 76.2 MM BY 50.8 MM BY 6.35 MM, ALUMINIUM L 6061 T6, 433 MM LG., RIGHT	2
8	SH110251		BOLT, HEX. HD., M10 BY 25 MM, ZINC PLATED, BLACK	8
9	NY110041	5310-99-122-5498	NUT NYLOC, M10	14
10	WA110061		WASHER, FLAT, STEEL, M12, ZINC PLATED, BLACK	4
11	BH112081		BOLT, HEX. HD., M12 BY 40 MM LG., ZINC PLATED, BLACK	2
12	FYD1013/5R		ANGLE, FLOOR TO REAR ROPS, 50.8 MM BY 50.8 MM BY 6.35 MM, ALUMINIUM, L 5061 T6, 536 MM LG., RIGHT	1
13	FYD1013/5L		ANGLE, FLOOR TO REAR ROPS, 50.8 MM BY 50.8 MM BY 6.35 MM, ALUMINIUM, L 6061 T6, 536 MM LG., LEFT	1

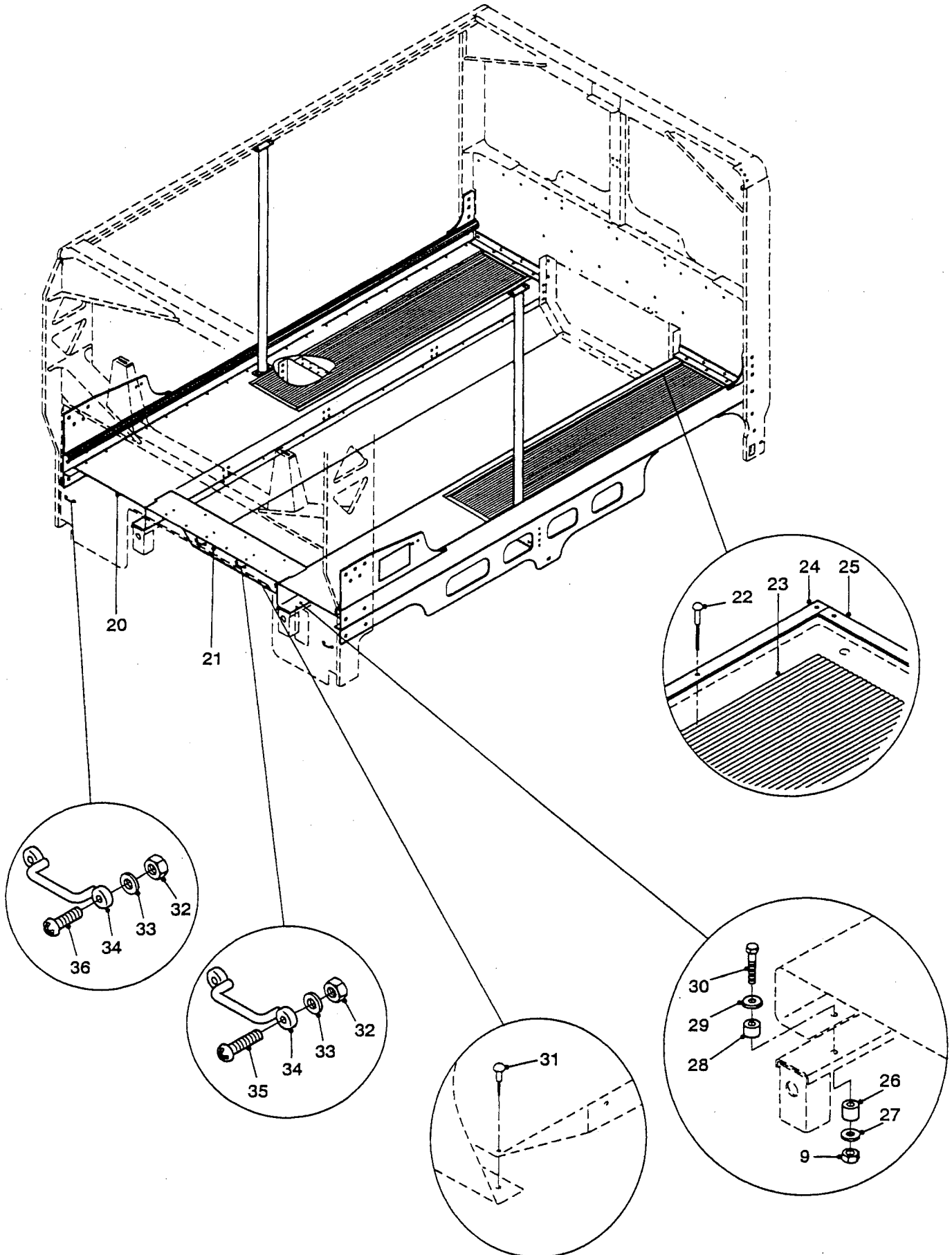


FRAME AND FLOOR

Bush Ranger Land Rover Parts ListDerivative code - INTERIM RPIL02226

WA FRAME AND FLOOR

<u>Item</u>	<u>Part No.</u>	<u>NSN</u>	<u>Description</u>	<u>Quantity</u>
14	FYD1010/9R		SIDE UNDERRUN ASSEMBLY, RIGHT	1
15	FYD0070		GRAB HANDLE ASSEMBLY, DIA. 48.4 MM BY 4.47 MM THK. WALL, ALUMINIUM TUBE, 6061 T6 WITH 6 MM PLATE, 5083 H116 WELDED TO EACH END	2
16	FYD0081/1		PRESSING, BELLY, 1.6 MM, ALUMINIUM, 5251 H34, 2770 MM LG.	1
17	GYD509		DECAL, CAMNET	2
18	FYD1010/9L		SIDE UNDERRUN ASSEMBLY, LEFT	1
19	HYM930		RIVET, BRAZIER HD., 1/4 IN. BY 0.312 IN. LG., STEEL, ZINC PLATED	84
20	FYD0080/1R		PRESSING, FLOOR, 3.5 MM, ALUMINIUM, 5083 H321, 3000 MM LG., RIGHT	1
	FYD0080/1L		PRESSING, FLOOR, 3.5 MM, ALUMINIUM, 5083 H321, 3000 MM LG., LEFT	1
21	FYD1914		PRESSING, BELLY END, 2 MM, ALUMINIUM SHEET, 5251 H34	1
22	RA612533		RIVET, 3/16 IN. BY 3/4 IN. LG.	64
23	NSS		MATTING, RUBBER, PEAK RIBBED, 1875 MM BY 420 MM BY 3 MM - 60 DURO,Q BLACK	2
	NSS	8040-99-220-2553	BOSTIK 2402	1
	NSS	5070-66-132-1327	BOSTIK 9101	150
	NSS	8040-66-131-2610	BOSTIK 9913	1
	NSS		MATTING, RUBBER, PEAK RIBBED, BLACK, 3 MM BY 1200 MM BY 10 MR. LG.	1

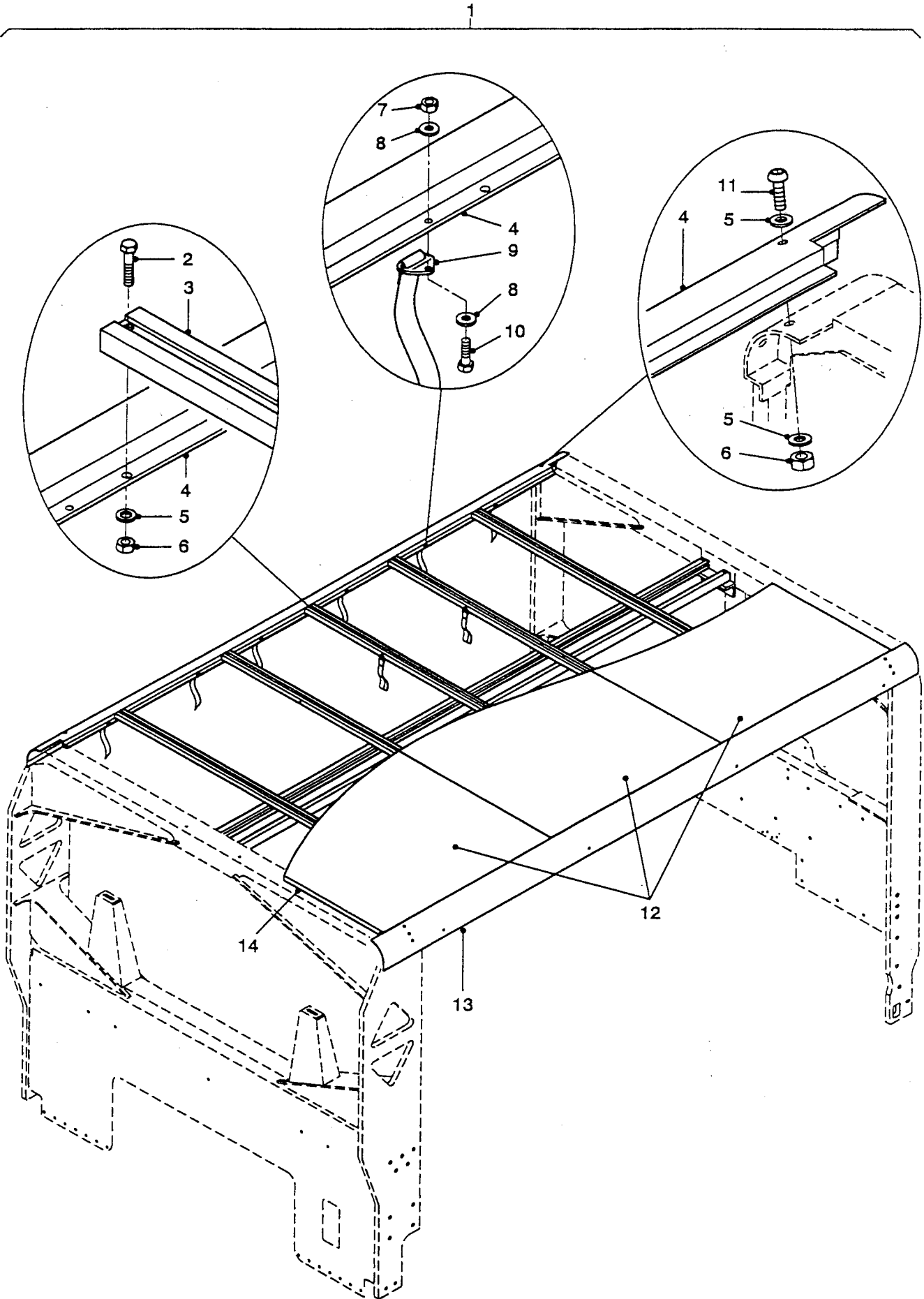


FRAME AND FLOOR

Bush Ranger Land Rover Parts ListDerivative code - INTERIM RPIL02226

WA FRAME AND FLOOR

<u>Item</u>	<u>Part No.</u>	<u>NSN</u>	<u>Description</u>	<u>Quantity</u>
24	NSS		STRIP, TRIM, TABLE EDGE EXTRUSION, ALUMINIUM ALLOY, 8060 T1, 1875 MM LG.	8
25	NSS		STRIP, TRIM, TABLE EDGE EXTRUSION, ALUMINIUM ALLOY, 8060 T1, 420 MM LG.	4
			STRIP, TRIM, TABLE EDGE EXTRUSION, ALUMINIUM ALLOY, 8060 T1	1
26	MYH3705		MOUNT RESILIENT, 13 MM BY 30 MM BY 23 MM, POLYURETHANE, LOWER	12
27	WJ112001	5310-66-128-5548	WASHER, PLAIN, 12 MM I.D.	24
28	MYH3701		MOUNT RESILIENT, 13 MM BY 30 MM BY 15 MM, POLYURETHANE, UPPER	12
29	MYH3703		WASHER CUPPED, 40 MM BY 12.5 MM	24
30	BH112131		BOLT, HEX. HD., M12 BY 65 MM LG., ZINC PLATED	12
31	HYL8931	5306-66-128-5498	MONOBOLT	52
32	NY105041	5310-99-122-5494	NUT, NYLOC, M5	10
33	WA105001	5310-99-122-6474	WASHER, PLAIN, 5 MM I.D.	10
34			BREECHING STAPLE	5
35	SE105161		SCREW, PAN HD., M5 BY 0.8 MM BY 16 MM LG.	6
36	SE105201		SCREW PAN HD., M5 BY 0.8 MM BY 20 MM LG., ZINC PLATED	4

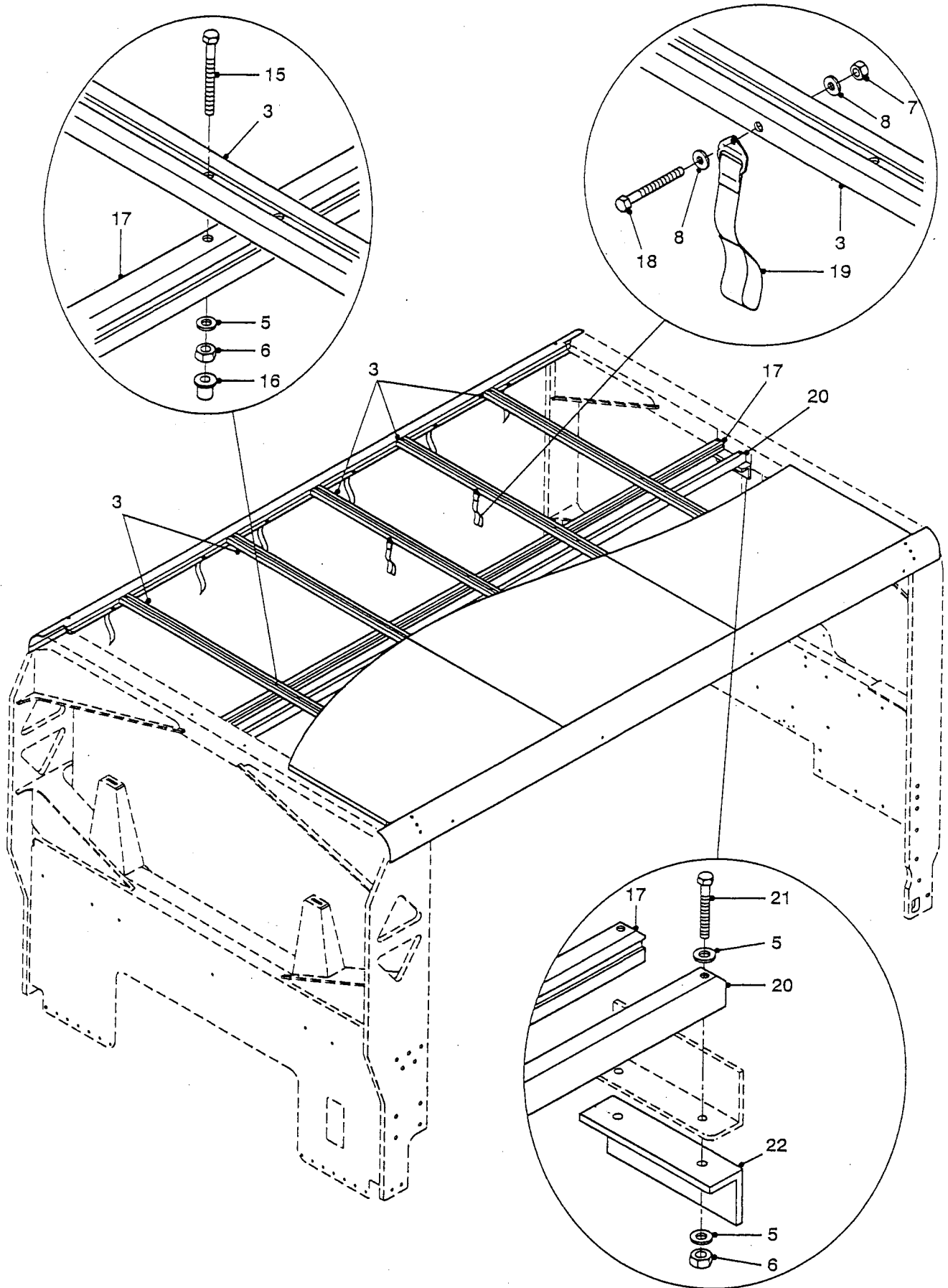


ROOF ASSEMBLY

Bush Ranger Land Rover Parts ListDerivative code - INTERIM RPIL02226

WB ROOF ASSEMBLY

<u>Item</u>	<u>Part No.</u>	<u>NSN</u>	<u>Description</u>	<u>Quantity</u>
1	FYD1016		ROOF ASSEMBLY	1
2	BH108081		BOLT, HEX. HD., M8 BY 40 MM LG., ZINC PLATED, BLACK	2
3	FYD1017/3		BOW, CROSS, ROOF, ALUMINIUM EXTRUSION, P1040R, 6061 T6, PARTITION SUPPORTING, 1946 MM LG.	2
4	FYD1922/8R		CANT RAIL, L.H., ALUMINIUM EXTRUSION, U9756R, 6351 T5, 3158 MM LG.	1
5	WA108001		WASHER FLAT, M8, ZINC PLATED, BLACK	28
6	NY108001		NUT, SELF LOCKING, HEX, M8, ZINC PLATED, BLACK	24
7	NY106001		NUT, SELF LOCKING, HEX, M6, ZINC PLATED, BLACK	16
8	WA106001		WASHER, FLAT, STEEL, M6, ZINC PLATED, BLACK	28
9	FYD1041		STRAP, CANOPY, SIDE TIE-UP	12
	NSS		STRAP, RETAINING, NYLON WEBBING, 25 MM BY 470 MM	1
	NSS		BUCKLE, RETAINING END, 3 MM, M.S. COATED	1
	FYD1041/3		CLIP, MALE, 3 PRONG, PLASTIC, OLIVE DRAB	1
10	BH106051		BOLT, HEX. HD., M6 BY 25 MM LG., ZINC PLATED, BLACK	12
11	SB108401		SCREW, BUTTON HEAD, M8 BY 40 MM LG., ZINC PLATED, BLACK	10
12	FYD1017/2		SHEET, ROOF, 1.6 MM ALUMINIUM SHEET, 5251 H34, 2004 MM BY 1000 MM	3
13	FYD1922/8L		CANT RAIL, R.H., ALUMINIUM EXTRUSION, U9756R, 6351 T5, 3158 MM LG., LEFT	1

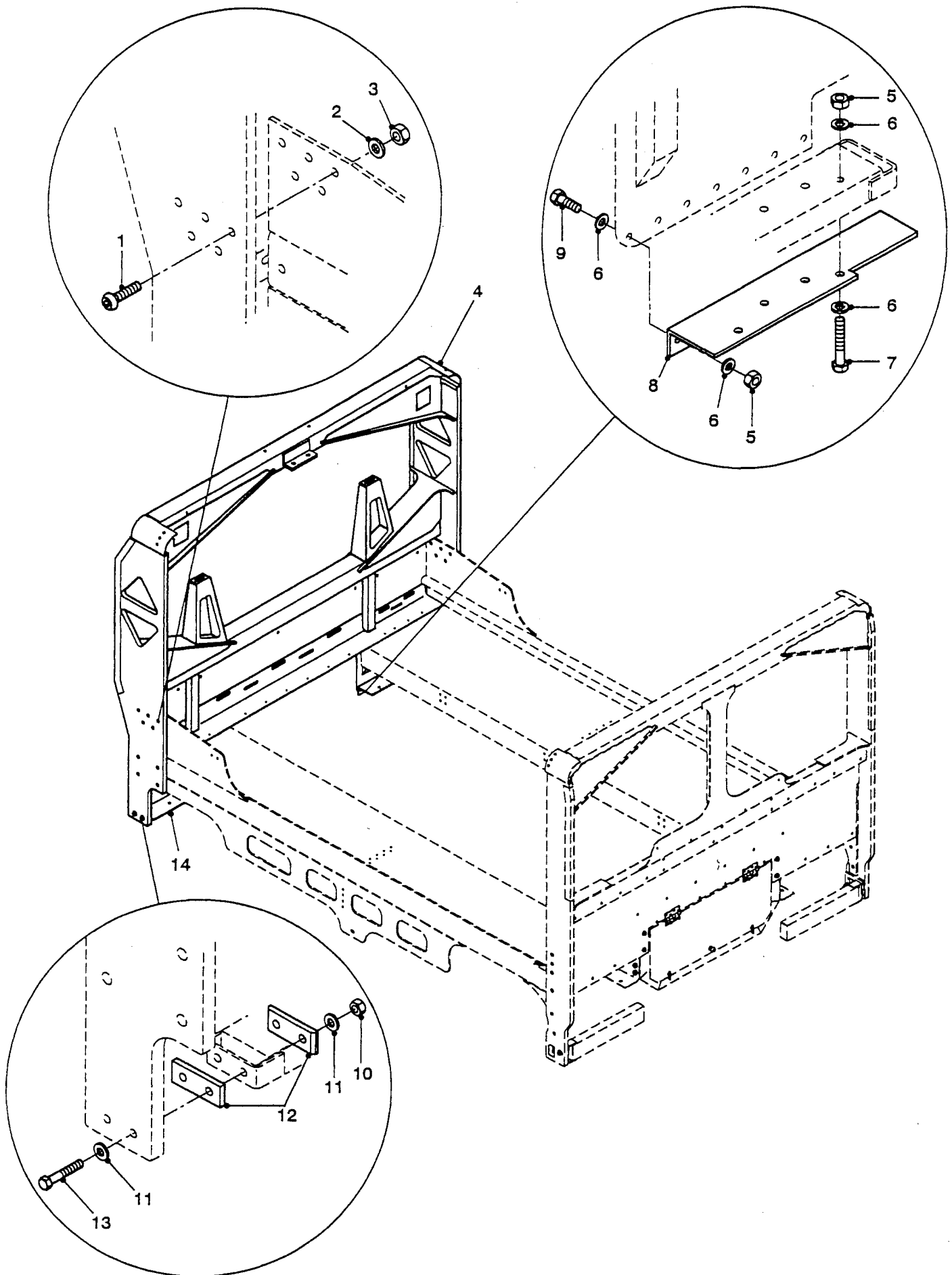


ROOF ASSEMBLY

Bush Ranger Land Rover Parts ListDerivative code - INTERIM RPIL02226

WB ROOF ASSEMBLY

<u>Item</u>	<u>Part No.</u>	<u>NSN</u>	<u>Description</u>	<u>Quantity</u>
14	NSS		ROOF INSULATION, FOAM, LD45FR, 2000 MM BY 1000 MM BY 10 MM, WITH FASSON ADHESIVE BACKING	3
	NSS		ADHESIVE, 3M, FASTAPE	1
	NSS		TAPE, ADHESIVE, 3M VHB, 4949 DOUBLE SIDED, 25 MM W., BLACK, 33 MR. LG.	1
15	BH108171		BOLT, HEX. HD., M8 BY 85 MM LG., ZINC PLATED, BLACK	10
16			CAP, THREAD PROTECTOR, PLASTIC, RED	12
17	FYD1017/4R		BOW, ROOF, LONGITUDINAL, ALUMINIUM EXTRUSION, P1040R, 6061 T6, 2920 MM LG., RIGHT	1
18	BH106131		BOLT, HEX. HD., M6 BY 65 MM LG., ZINC PLATED, BLACK	8
19	43-0071	5340-66-142-8884		8
	NSS		STRAP, RETAINING, NYLON WEBBING, 25 MM BY 185 MM LG.	1
	NSS		BUCKLE, RETAINING END, 3 MM, M.S. COA	1
20	FYD1017/4L		BOW, CROSS, ROOF, L.H., LONGITUDINAL, ALUMINIUM, EXTRUSION, P1040R, 6061 T6, 2920 MM LG.	2
21	BH108141		BOLT, HEX. HD., M8 BY 70 MM LG., ZINC PLATED, BLACK	4
22	FYD1002/10		BRACKET, ROOF SUPPORT, LONGITUDINAL, ALUMINIUM 76.2 MM BY 50.6 MM BY 6.35 MM, L6061 T5, 200 MM LG.	1

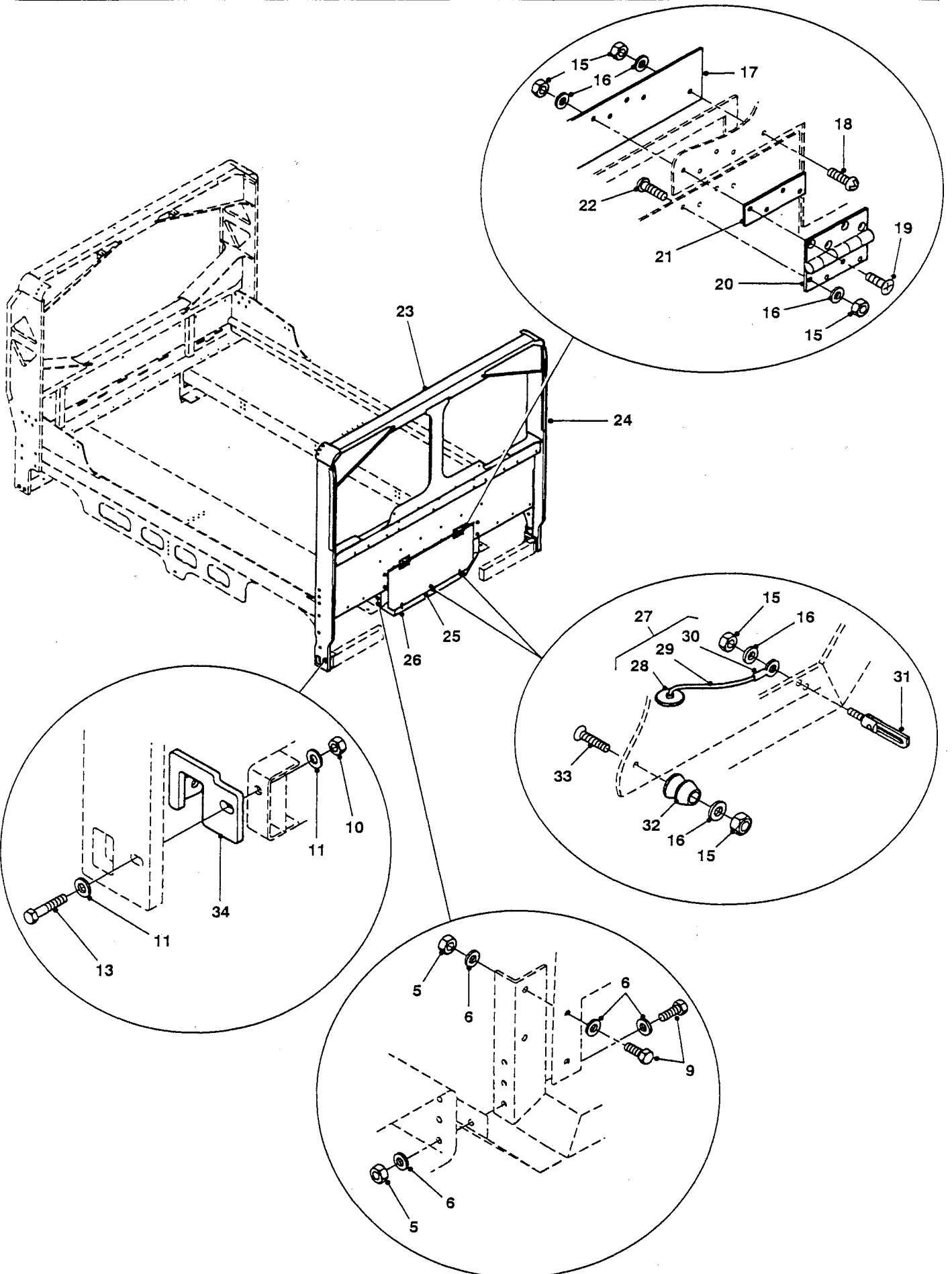


ROLL OVER PROTECTION

Bush Ranger Land Rover Parts ListDerivative code - INTERIM RPIL02226

WC ROLL OVER PROTECTION

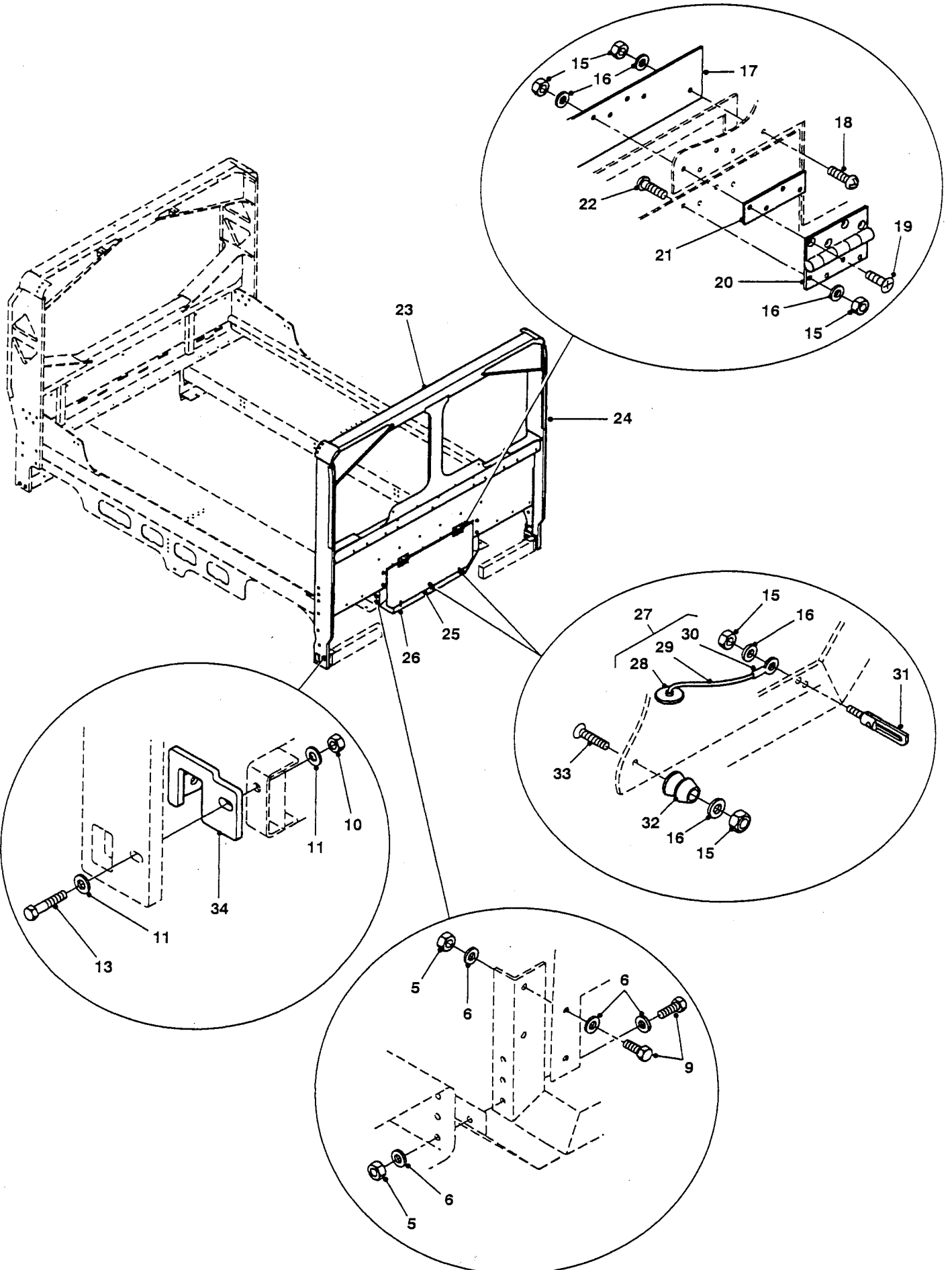
<u>Item</u>	<u>Part No.</u>	<u>NSN</u>	<u>Description</u>	<u>Quantity</u>
1	SB610201		SCREW, BUTTON HEAD, 5/8 IN. BY 2 1/2 IN., ZINC PLATED	30
2	WA116101L		WASHER FLAT, 5/8 IN., ZINC PLATED	30
3	NY510041		NUT, SELF LOCKING, HEX., 5/8 IN., ZINC PLATED, BLACK	30
4	EYD190T	43-1501 1737 1500 19.5.98	ROPS ASSEMBLY, FRONT, ALUMINIUM, POWDER COATED	1
	GYD545		DECAL, CAUTION	4
	HYG5684		DECAL, WARNING, ROLL CAGE	4
5	NZ110041		NUT, SELF LOCKING, HEX., M10, ZINC PLATED, BLACK	35
6	WC110041		WASHER, FLAT, STEEL, M10, ZINC PLATED, BLACK	62
7	BH110161L		BOLT, M10 BY 80 MM LG., HEX. HD., ZINC PLATED, BLACK	7
8	FYD1003/5		ANGLE, SUPPORT, FRONT WALL, 101.6 MM BY 50.8 MM BY 6.35 MM, ALUMINIUM L 6061 T6, 459 MM LG., RIGHT	1
9	BH110061		BOLT, HEX. HD., M10 BY 30 MM LG., ZINC PLATED, BLACK	24
10	NY112041L		NUT, SELF LOCKING, HEX., M12., ZINC PLATED, BLACK	6
11	WJ112007		WASHER, FLAT, STEEL, M12, ZINC PLATED, BLACK	12
12	FYD0097		SPACER, ALUMINIUM, 100 MM BY 40 MM BY 10 MM	4
13	BH112141L		BOLT, HEX. HD., M12 BY 70 MM LG., ZINC PLATED, BLACK	6
14	FYD1003/4		ANGLE, SUPPORT, FRONT WALL, 101.6 MM BY 50.8 MM BY 6.35 MM, ALUMINIUM L 6061 T6, 459 MM LG., LEFT	1



ROLL OVER PROTECTION

Bush Ranger Land Rover Parts ListDerivative code - INTERIM RPIL02226

WC		ROLL OVER PROTECTION		
<u>Item</u>	<u>Part No.</u>	<u>NSN</u>	<u>Description</u>	<u>Quantity</u>
15	NZ106044		NUT, SELF LOCKING, HEX., M6, ZINC PLATED, BLACK	21
16	WA106044		WASHER, FLAT, STEEL, M6, ZINC PLATED, BLACK	21
17	FYD1015/3		SEAL, REAR DOOR, 3.5 MM, ALUMINIUM 5083 H321	1
	NSS		SILASTIC 732 RTV	1
			STRIP, SEALING, 25 MM BY 5 MM, CLOSED CELL NEOPRENE, ADHESIVE BACK SPONGE TAPE, ADHESIVE FILM MACBOND 9517	1
18	SE106204		SCREW, RECESSED PAN HD., M6 BY 20 MM LG., ZINC PLATED, BLACK	4
19	SF106254		SCREW, COUNTERSUNK, CROSS TIP, M6 BY 25 MM LG., ZINC PLATED, BLACK	9
20			HINGE, ALUMINIUM	2
21	GYD513		PLATE, SHIM, REAR DOOR, 4 MM THK. PLATE, ALUMINIUM 5083 H321, 100 MM LG., 30 MM W.	2
22	SE106164		SCREW, COUNTERSUNK, CROSS TIP, M6 BY 16 MM LG., ZINC PLATED, BLACK	8
23	FYD1005		ROPS ASSEMBLY, REAR, ALUMINIUM, POWDER COATED	1
24	NSS	8305-66-125-2329	CLOTH	1
	NSS		ADHESIVE, 2 PART PACK	1
	NSS		HARDENER, ADHESIVE, 250 ML.	1
	NSS		THINNER, ADHESIVE, 4 LITRE	1
25	FYD1015/2		DOOR, REAR, 4.0 MM, ALUMINIUM 5083 H321	1
26	FYD1015/1		ANGLE, SUPPORT, REAR DOOR, 76.2 MM BY 50.6 MM BY 6.35 MM, ALUMINIUM L 6061 T6	1

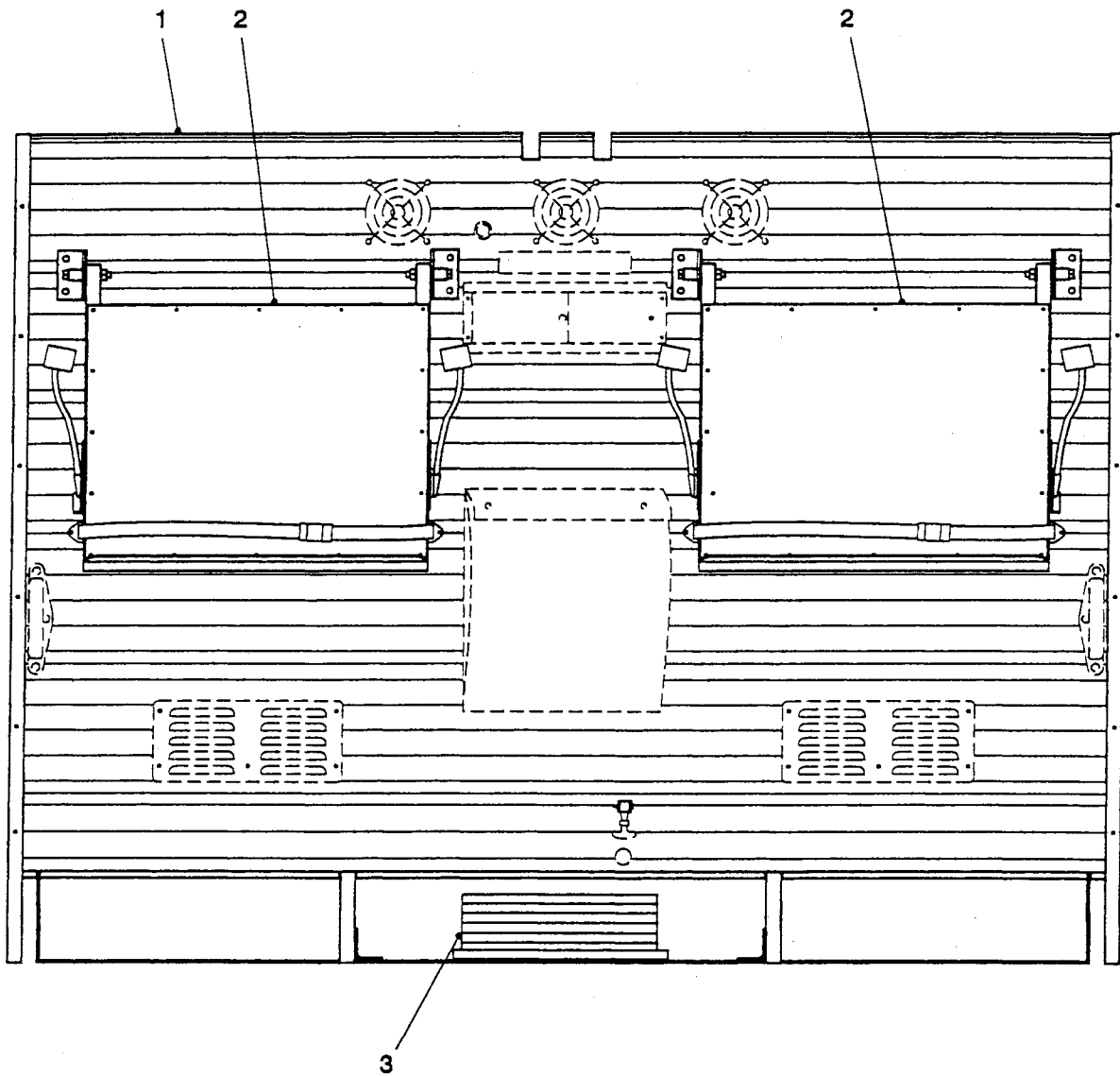


ROLL OVER PROTECTION

Bush Ranger Land Rover Parts ListDerivative code - INTERIM RPIL02226

WC ROLL OVER PROTECTION

<u>Item</u>	<u>Part No.</u>	<u>NSN</u>	<u>Description</u>	<u>Quantity</u>
27	HYG3262	5325-66-128-5344	GROMMET AND CORD ASSEMBLY	4
28	NSS		GROMMET, NON-METALIC, RUBBER	4
29	NSS		CORD	4
30	NSS		TERMINAL	4
31			ANTI-LUCE FASTENER	2
32	HYM940		NYLON PLUG	1
33	SF106251		SCREW, COUNTERSUNK, M6 BY 25 MM LG., ZINC PLATED, BLACK	2
34	FYD0095		PACKER, MODULE, HIGH LIFT JACK, 10 MM ALUMINIUM PLATE WITH TWO 5 MM SAFETY LUGS WELDED ON, RIGHT	1
	FYD0096		PACKER, MODULE, HIGH LIFT JACK, 10 MM ALUMINIUM PLATE WITH TWO 5 MM SAFETY LUGS WELDED ON, LEFT	1

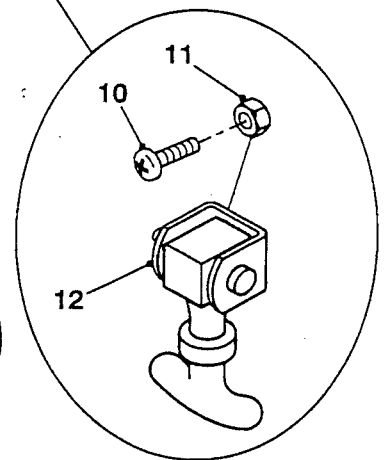
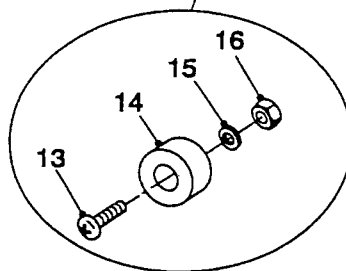
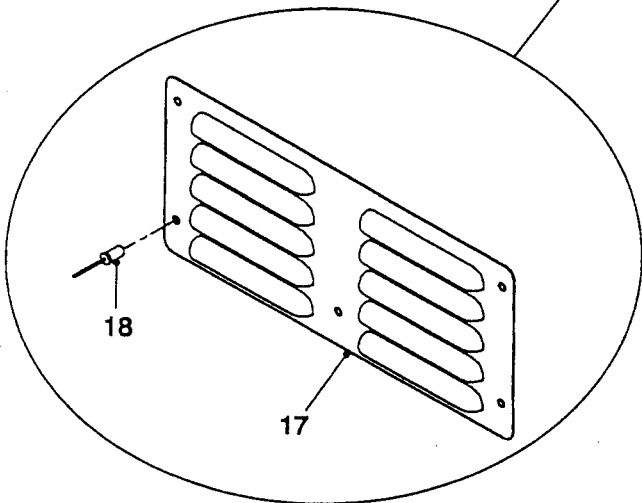
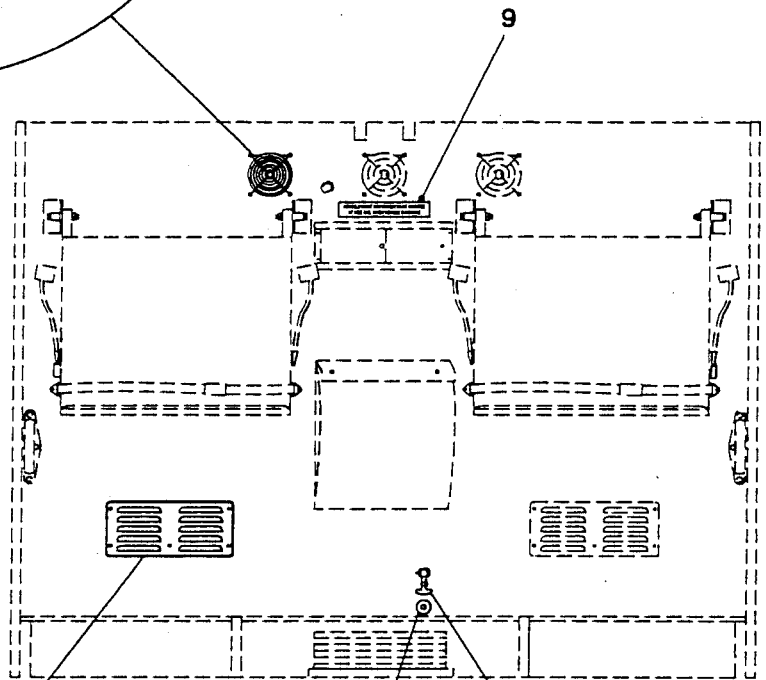
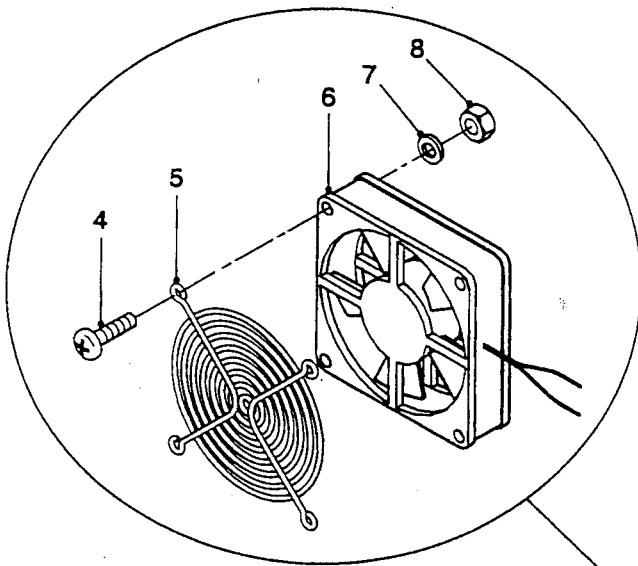


**INTERIOR FIXTURES
(COMMAND POST)**

INTENTIONALLY

LEFT

BLANK

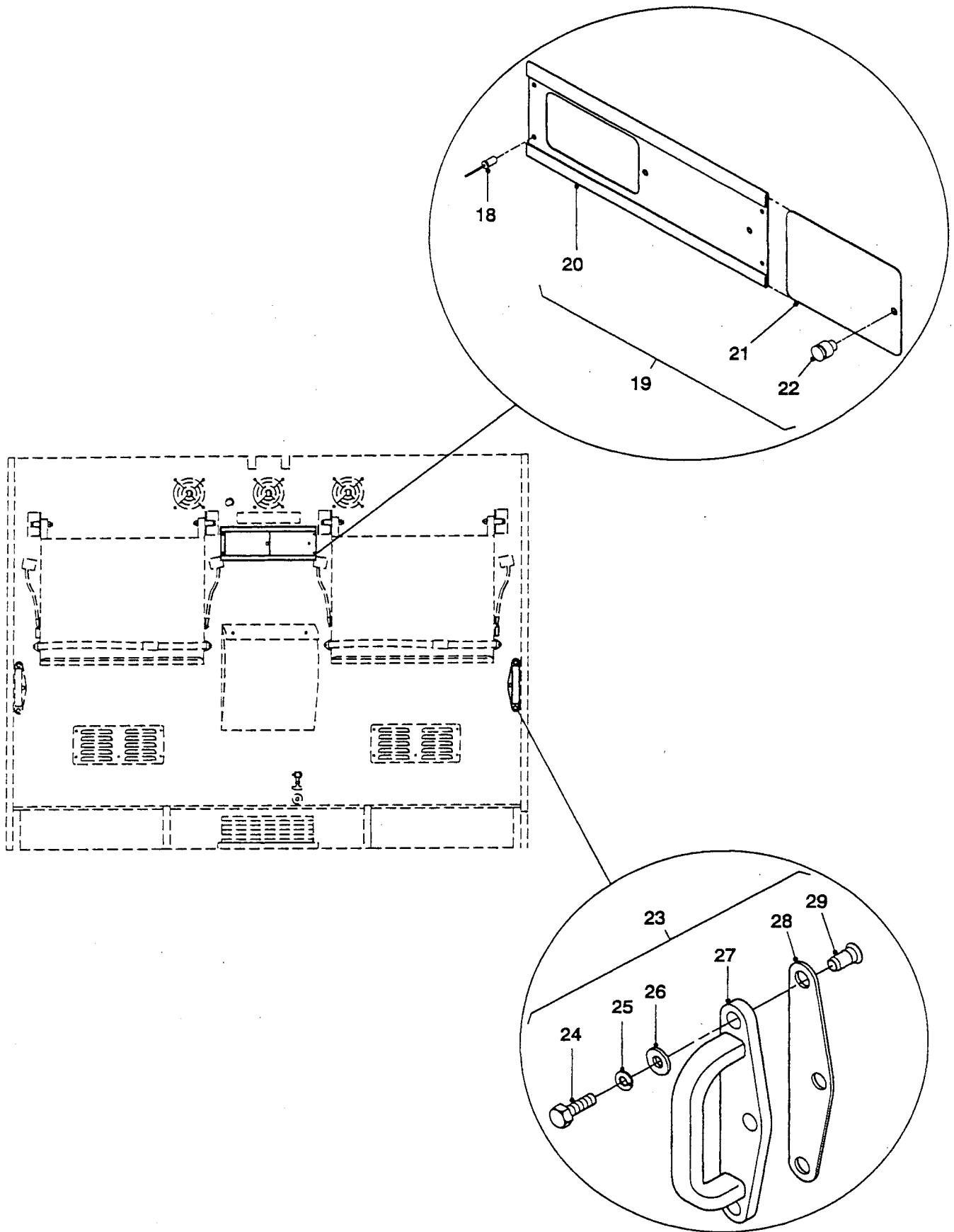


**INTERIOR FIXTURES
(COMMAND POST)**

Bush Ranger Land Rover Parts ListDerivative code - INTERIM RPIL02226

WE INTERIOR FIXTURES (COMMAND POST)

<u>Item</u>	<u>Part No.</u>	<u>NSN</u>	<u>Description</u>	<u>Quantity</u>
1	NSS		PARTITION, MODULE	1
2	GYD596		TABLE ASSEMBLY	2
3			REDUCER, VOLTAGE	1
4	SP104161		SCREW, PAN HD., SLOTTED, M4 BY 16 MM LG.	12
5	HYM944		GUARD, FAN, 119 MM	3
6			FAN, ELECTRIC, 12V, 119 MM DIA.	3
			RECEPTACLE, BULLET	1
			TERMINAL, BULLET	1
7	WA104004		WASHER, LOCK, M4	30
8	NZ104041		NUT, HEX, M4	12
9	GYD545		DECAL, CAUTION	1
10	SF105121		SCREW, COUNTERSUNK HD., CROSS DRIVE, M5 BY 12 MM LG.	2
11	NZ105041		NUT, NYLOCK, M5	2
12			CATCH, BONNET	1
13	MYH3762		SCREW, MUSHROOM HD., CROSS RECESS, M6 BY 20 MM LG.	1
14			BUFFER, RUBBER, BLACK	1
15	WA106044		WASHER, FLAT, M6	15
16	NZ106044		NUT, NYLOCK, M6	16
17	HYG2806		LOUVRE, PANEL, VENT, 324 MM BY 147 MM BY 1.2 MM, ALUMINIUM	2
18			RIVET, BLIND, 4.8 MM BY 11.4 MM LG., ALUMINIUM	11
19	GYD679		TRAP DOOR ASSEMBLY ALUMINIUM, 1.8 MM BY 360 MM BY 125 MM	1

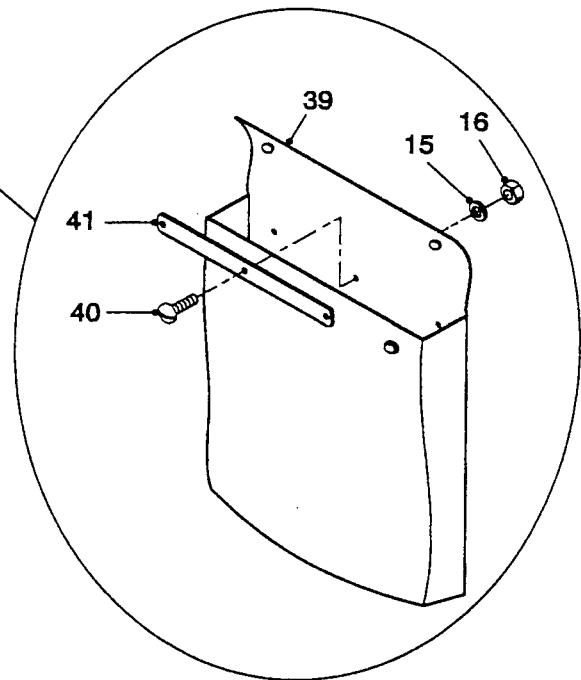
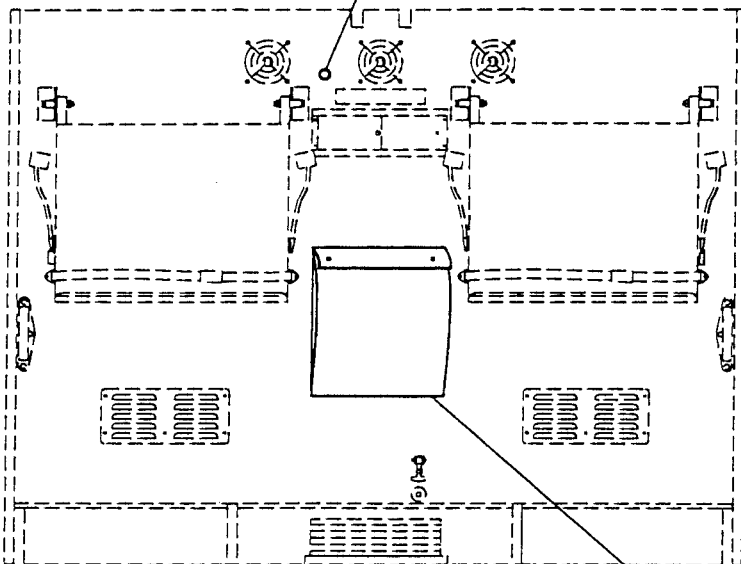
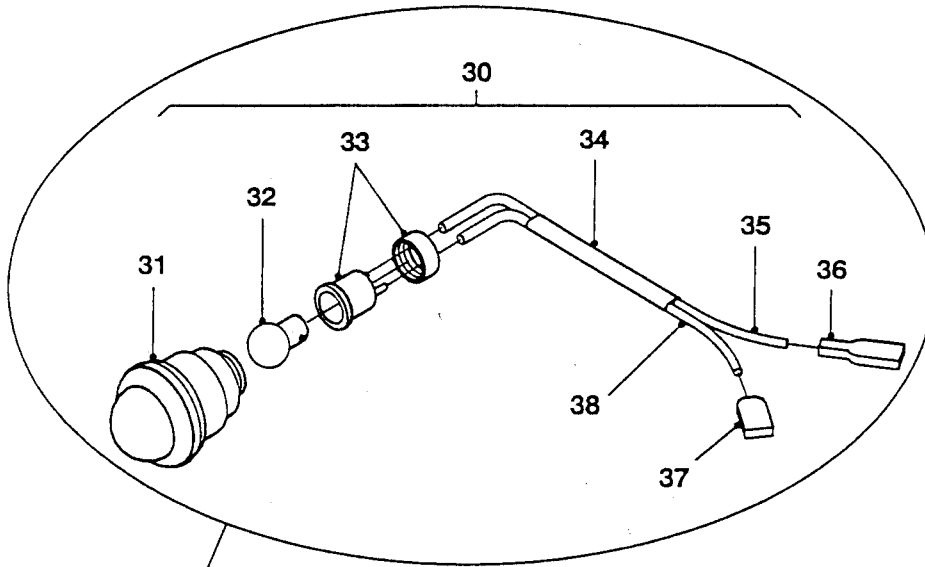


**INTERIOR FIXTURES
(COMMAND POST)**

INTENTIONALLY

LEFT

BLANK

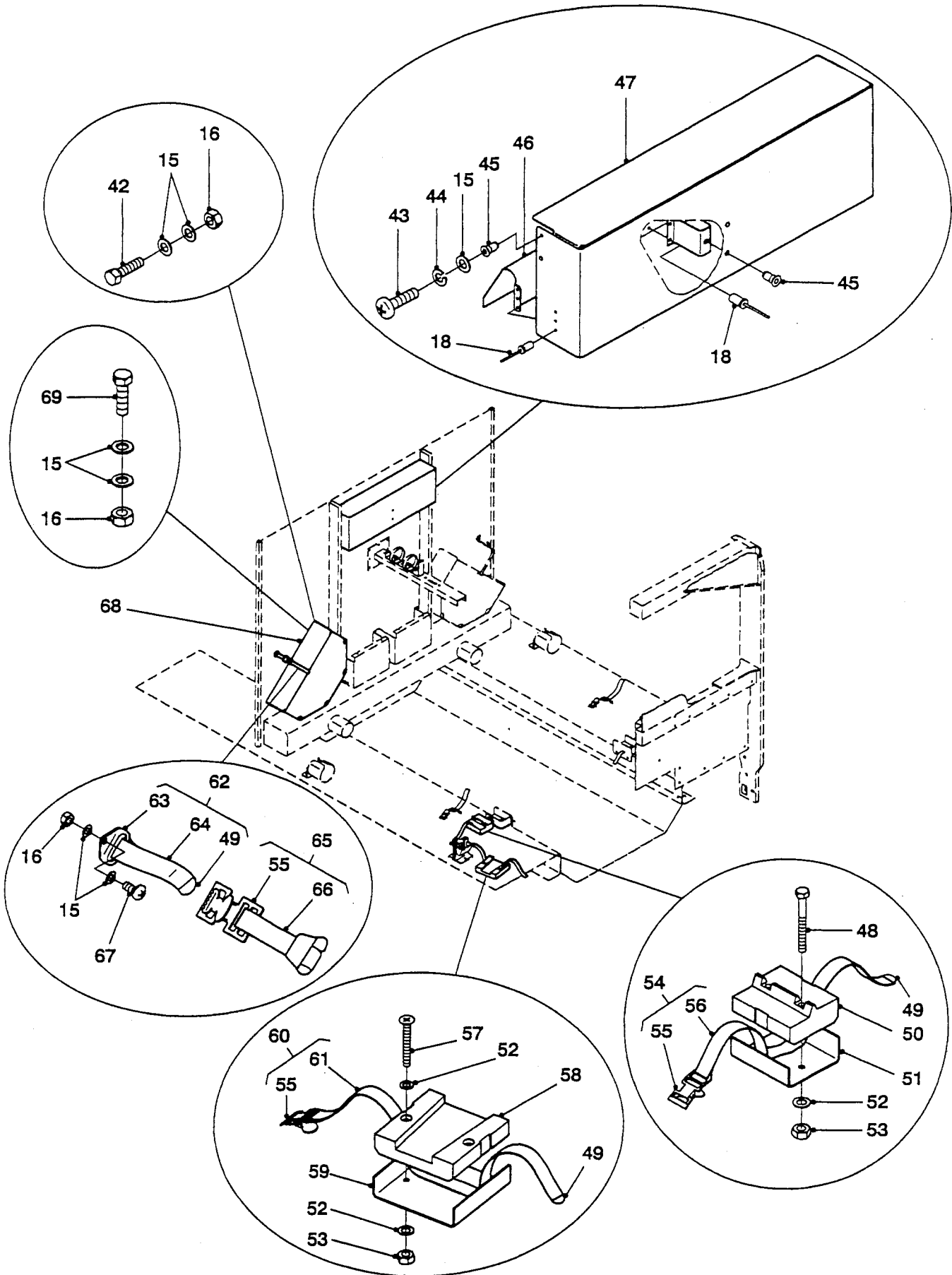


**INTERIOR FIXTURES
(COMMAND POST)**

Bush Ranger Land Rover Parts ListDerivative code - INTERIM RPIL02226

WE INTERIOR FIXTURES (COMMAND POST)

<u>Item</u>	<u>Part No.</u>	<u>NSN</u>	<u>Description</u>	<u>Quantity</u>
20	NSS		SLIDE, TRAP DOOR, ALUMINIUM	1
21	NSS		DOOR	1
22			PLUNGER, SPRING LOADED, LOCKING	1
23			KIT, HANDLE	1
24	NSS		BOLT, HEX HD, M8	6
25	NSS		WASHER, SPRING, M8	6
26	NSS		WASHER, FLAT, M8	6
27	NSS		HANDLE	2
28	NSS		GASKET, RUBBER	2
29	NSS		NUTSERT, M8	2
30	008-652		LIGHT, WARNING, BLACKOUT INDICATOR	1
31	589-991		PANEL, LENS, BLUE	1
32	587-434		LAMP, M.B.C., 12V, 2.2 W	1
33	589-783		LAMP HOLDER, M.B.C.	1
34	398-206		HEATSHRINK, 1.2 MR. LG.	1
35	NSS		WIRE, ELECTRICAL, BLACK, 17/0.3, 150 MM LG.	1
	NSS		RECEPTACLE, BULLET	1
36	AYG9120		INSULATOR	1
	NSS		CONNECTOR	1
37			INSULATOR	1
38	NSS		WIRE, ELECTRICAL, 17/0.3, BLUE / WHITE, 150 MM LG.	1
39	HYG3709		VALISE, A4, DOCUMENT STORAGE, 460 MM BY 320 MM, CORESPUN COTTON DUCK, 340 G/M2 TO AS 1819, GREEN	1

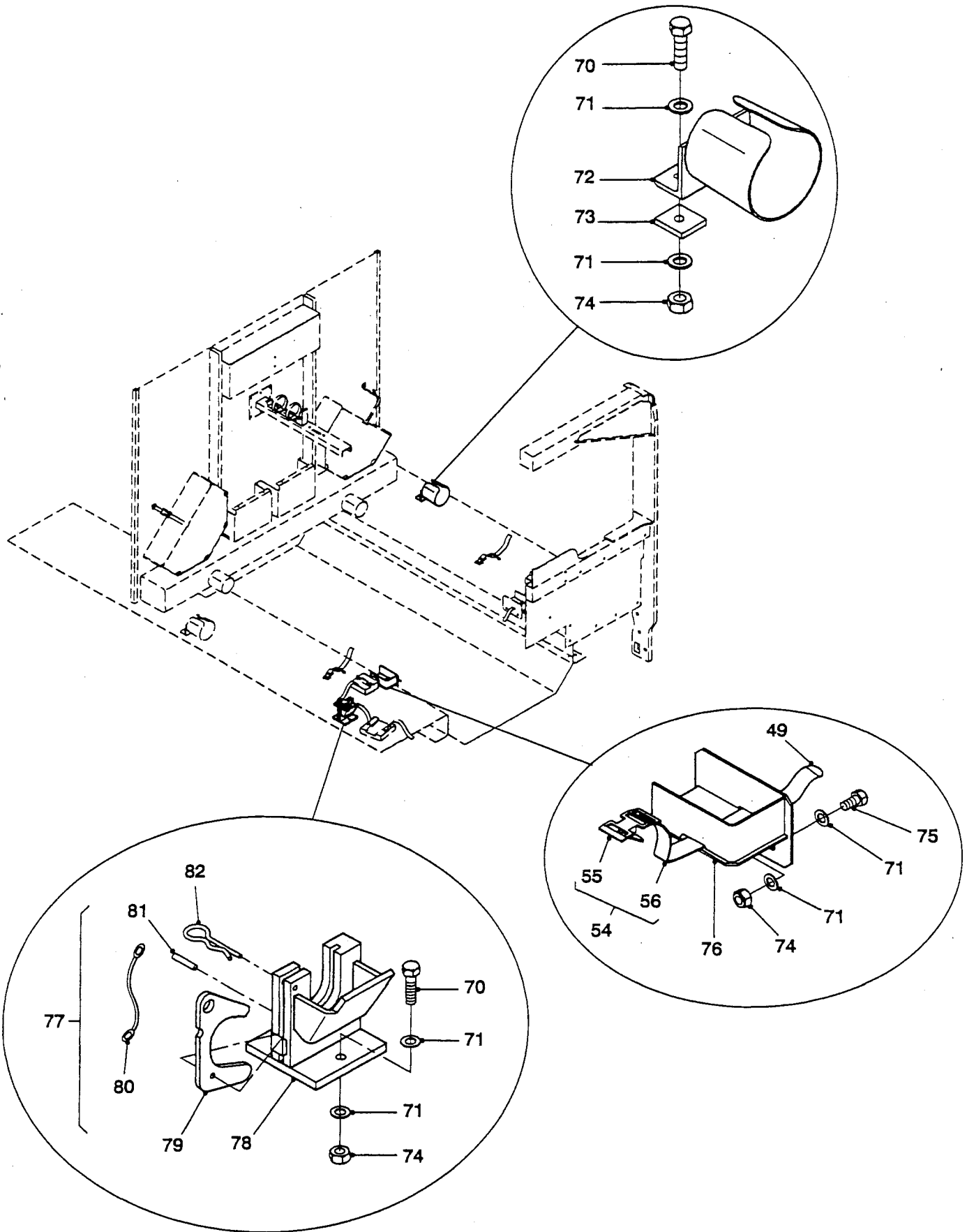


**INTERIOR FIXTURES
(COMMAND POST)**

Bush Ranger Land Rover Parts ListDerivative code - INTERIM RPIL02226

WE INTERIOR FIXTURES (COMMAND POST)

<u>Item</u>	<u>Part No.</u>	<u>NSN</u>	<u>Description</u>	<u>Quantity</u>
40	MYH3759		SCREW, MUSHROOM HD, M6 BY 10 MM LG.	3
41	GYD614		STRIP, MAP BAG, ALUMINIUM, 5083 H321, 4 MM BY 280 MM, BY 25 MM	1
42	BH106061		BOLT, HEX HD., M6 BY 30 MM LG.	40
43	SE106301		SCREW, PAN HD., M6 BY 30 MM LG.	8
44	WL106004		WASHER, SPRING, M6	8
45			RIVET NUT, M6, 14.5 LG., GRIP 0.5 MM -3.0 MM	6
46	GYD608/1		COVER PLATE LOWER, ALUMINIUM SHEET 5251, 722 MM LG. BY 83 MM BY 1.6 MM	1
47	GYD608/2		COVER PLATE UPPER, ALUMINIUM SHEET 5251, 727 MM LG. BY 245 MM BY 1.6 MM	1
48	BH108141		BOLT, HEX HD., M8 BY 70 MM LG.	4
49			CLIP, END	1
50	GYD629		PAD, BIPOD LEG, NYLON, PA 6, OLIVE DRAB	2
51	GYD628		CHANNEL, BIPOD LEG, ALUMINIUM 5251-H34, 120 MM BY 100 MM BY 3 MM	2
52	WA108054		WASHER, FLAT 8 MM	12
53	NZ108041		NUT, NYLOCK, M8	8
54	GYD702/2		STRAP, BUCKLE AND RUNNING END, 55 CM LG., OVER ALL	4
55			BUCKLE	12
56	NSS		WEBBING, 25 MM	4
57	SJ108601		SCREW, SOCKET HD., COUNTERSUNK, M8 BY 60 MM LG.	4

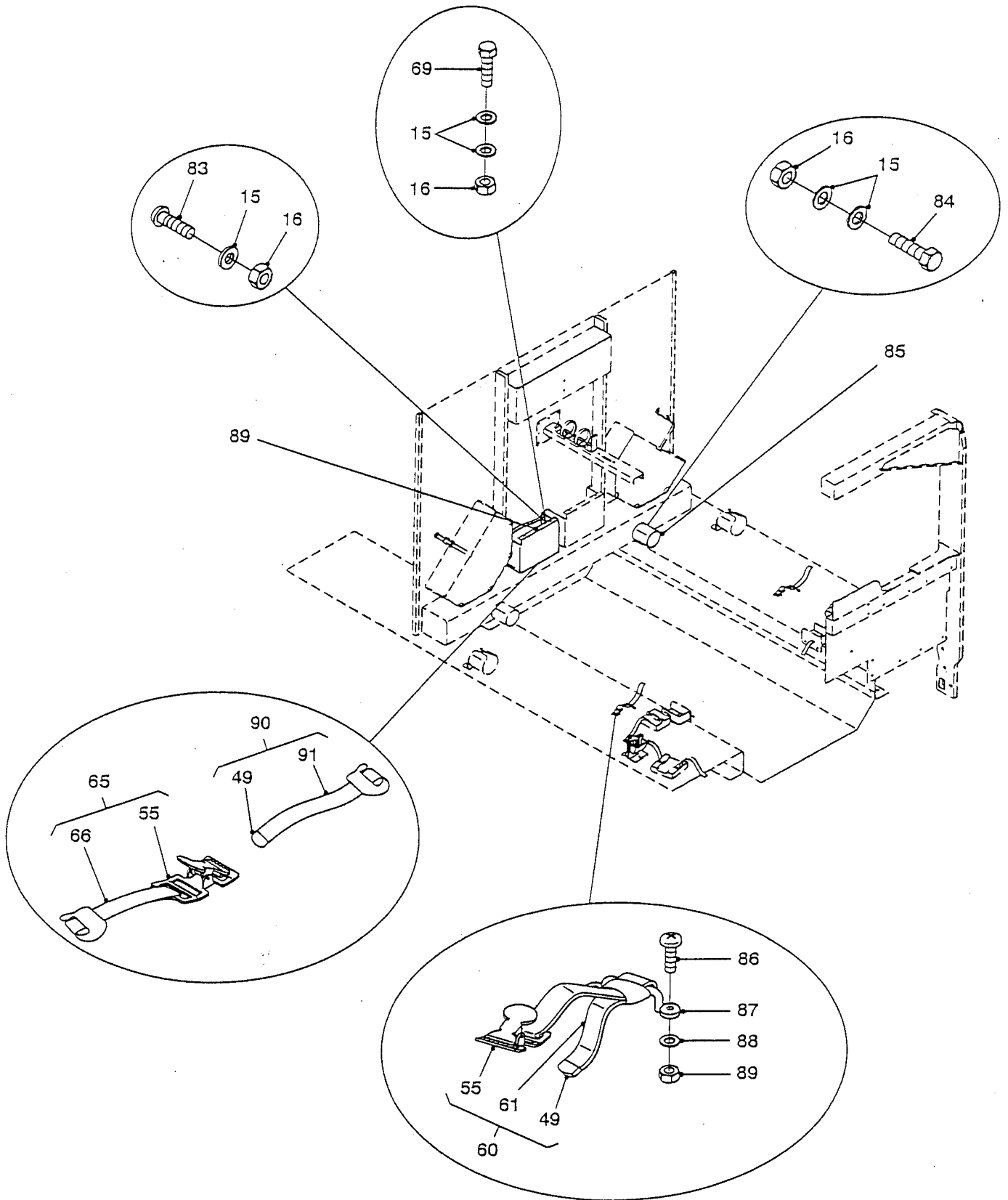


INTERIOR FIXTURES (COMMAND POST)

Bush Ranger Land Rover Parts List

Derivative code - INTERIM RPIL02226

WE INTERIOR FIXTURES (COMMAND POST)				
<u>Item</u>	<u>Part No.</u>	<u>NSN</u>	<u>Description</u>	<u>Quantity</u>
58	GYD627		PAD, BIPOD HEAD, NYLON, PA 6 G, OLIVE DRAB, 139 MM BY 140 MM BY 34 MM	2
59	GYD626		CHANNEL, BIPOD HEAD, ALUMINIUM, 5251-H34, 207 MM BY 140 MM BY 3 MM	2
60	GYD702/1		STRAP, BUCKLE AND RUNNING END, 60 CM LG., OVER ALL	6
61	NSS		WEBBING, 73.4 CM LG.	1
62	GYD701/1		STRAP, PLATE AND RUNNING END, 40 CM LG., OVER ALL	2
63	GYD703		PLATE, ANCHOR	2
64	NSS		WEBBING, 47.7 CM LG.	1
65	GYD692		STRAP, BUCKLE AND TWIST LOOP, 20 CM LG., OVER ALL	4
66	NSS		WEBBING, 43.9 CM LG.	1
67	MYH3761		SCREW, MUSH HD., M6 BY 16 MM LG.	2
68	GYD632		ENCLOSURE	2
	NSS		MATting, RUBBER, PEAKED, 130 MM BY 675 MM LG.	2
	NSS		ADHESIVE, BOSTIK	1
69	BH106301		BOLT, HEX HD., M6 BY 30 MM LG.	4
70	BH110351		BOLT, HEX HD., M10 BY 35 MM LG.	8
71	WA110064		WASHER, FLAT, M10	24
72	GYD623		support cup	2
73	GYD705		PACKER, SUPPORT CUP, 4 MM ALUMINIUM SHEET, 30 MM BY 30 MM	2
74	NZ110044		NUT, NYLOCK, M10	12

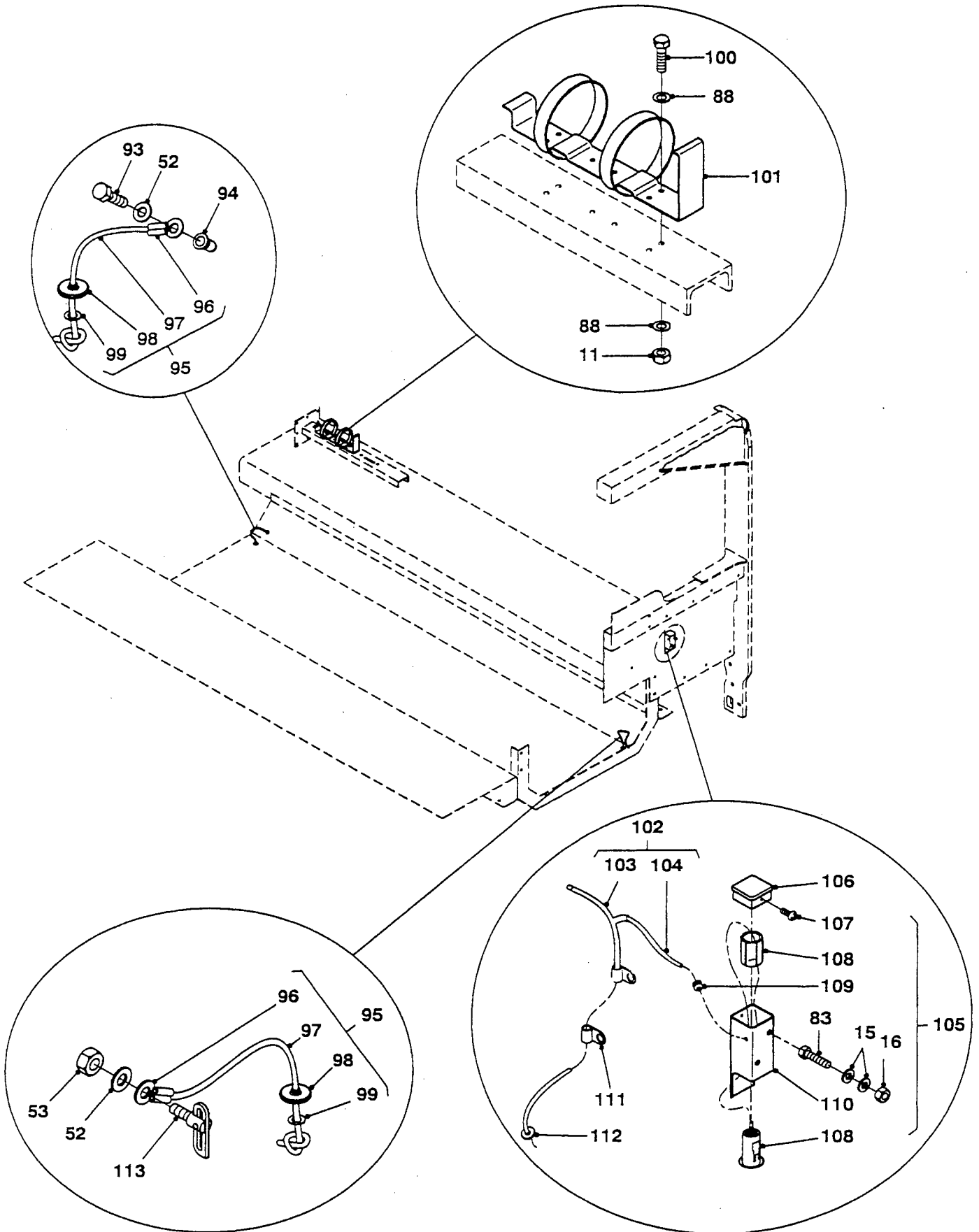


**INTERIOR FIXTURES
(CREW AREA)**

Bush Ranger Land Rover Parts ListDerivative code - INTERIM RPIL02226

WE INTERIOR FIXTURES (COMMAND POST)

<u>Item</u>	<u>Part No.</u>	<u>NSN</u>	<u>Description</u>	<u>Quantity</u>
75	SH110201		BOLT, HEX HD., M10 BY 20 MM LG.	4
76	GYD638/2		BRACKET, AIMING POST, L/H, 3 MM ALUMINIUM, 5251-H34, 150 MM BY 140 MM BY 90 MM	1
	GYD638/1		BRACKET, AIMING POST, R/H, 3 MM ALUMINIUM, 5251-H34, 150 MM BY 140 MM BY 90 MM	1
77	GYD620/1		REAR SUPPORT ASSEMBLY, L/H	1
	GYD620/2		REAR SUPPORT ASSEMBLY, R/H	1
78	NSS		REAR SUPPORT, L/H	2
	NSS		REAR SUPPORT, R/H	1
79	GYD622/01		CATCH, L/H	1
	GYD622/02		CATCH, R/H	1
80	GYD084		CORD, RETAINING, 155 MM LG.	2
81	NSS		PIN, SELLOK, 6 MM DIA., BY 25 MM LG.	2
82			R CLIP, 6 MM DIA. BY 105 MM LG.	2
83	MYH3763		SCREW, MUSHROOM HD., M6 BY 35 MM LG.	4
84	BH106251		BOLT, HEX HD, M6 BY 25 MM LG.	4
85	GYD637		ENCLOSURE, AIMING POST, ALUMINIUM TUBE 5060 T5, 3 MM WALL, 60 MM DIA., 110 MM LG.	2
86	SE105201		SCREW, PAN HD., M5 BY 20 MM LG.	4
87			BREECHING STAPLE	2
88	WA105004		WASHER, FLAT, M5	4
89	NY105041		NUT, NYLOCK, M5	4

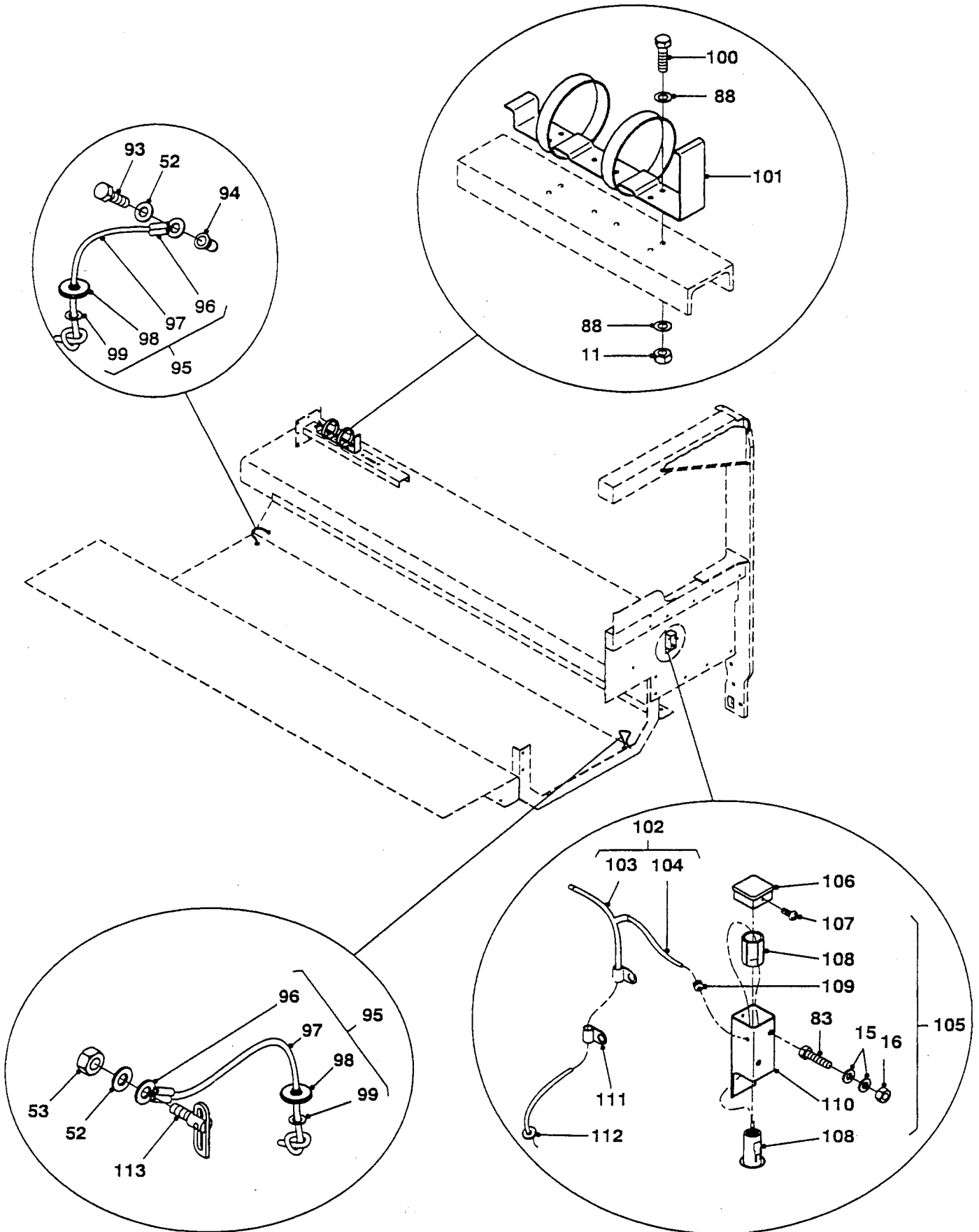


**INTERIOR FIXTURES
(COMMAND POST)**

Bush Ranger Land Rover Parts ListDerivative code - INTERIM RPIL02226

WE INTERIOR FIXTURES (COMMAND POST)

<u>Item</u>	<u>Part No.</u>	<u>NSN</u>	<u>Description</u>	<u>Quantity</u>
90	GYD704/1		STRAP, TWIST LOOP AND RUNNING END, 50 CM LG., OVER ALL	2
91	NSS		WEBBING, 60.5 CM LG.	1
92	GYD642		ENCLOSURE, SIGHT, 2 MM ALUMINIUM SHEET 5251-H34, 220 MM BY 346 MM LG.	2
93	SH108201		BOLT, HEX HD., M8 BY 20 MM LG.	2
94	HYM941		RIVET NUT, 1/4 IN.	30
95	HYG3262		GROMMET AND CORD ASSEMBLY	4
96	NSS		TERMINAL	1
97	NSS		CORD, NYLON, FOREST GREEN, 3.1 MM O.D., 150 MM LG.	1
98	NSS		GROMMET, RUBBER, BLACK	1
99	WA103001		WASHER, FLAT 3 MM I.D.	1
100	BH105201		BOLT, HEX HD., M5 BY 20 MM LG.	2
101	GYD965		BRACKET, FIRE EXTINGUISHER, DOUBLE STRAP	1
102	GYD963		HARNESS, REAR MODULE CIGAR LIGHTER	1
103	NSS		TUBING, PVC, 4 MM, BLACK,	1
104	NSS		WIRE, 26/0.32, PURPLE, 1020 MM LG., WITH 700 MM LG. LEG	1
		5940-66-128-4738	TERMINAL	2
	AYG9120	5970-66-128-4715	INSULATOR	2
	MYH2565	5940-66-128-4737	TERMINAL	1
105	GYD964		CIGAR LIGHTER ASSEMBLY	3
106			CAP, PLASTIC, BLACK	1

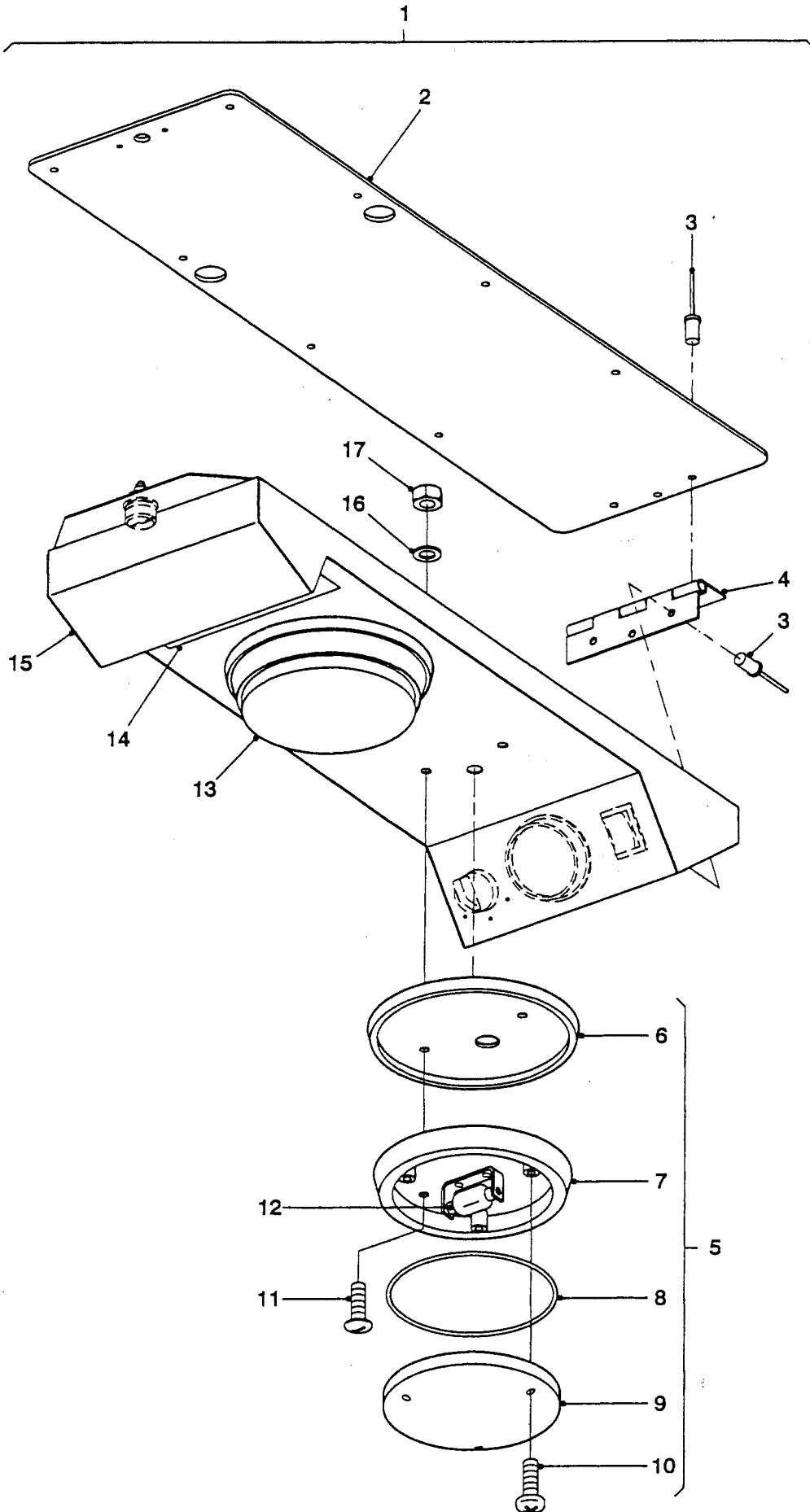


**INTERIOR FIXTURES
(COMMAND POST)**

Bush Ranger Land Rover Parts ListDerivative code - INTERIM RPIL02226

WE INTERIOR FIXTURES (COMMAND POST)

<u>Item</u>	<u>Part No.</u>	<u>NSN</u>	<u>Description</u>	<u>Quantity</u>
107	AB108031		SCREW, PAN HD., RECESSED, 8G BY 10 MM LG.	1
108			CIGAR LIGHTER, 12V	1
109	HYM934		GROMMET, CABLE	2
110	GYD211		BRACKET, CIGAR LIGHTER	2
111	HYG6625		P CLIP	9
112	MYH3345		GROMMET, RUBBER	1
113			FASTENER, ANTI-LUCE, M8	2
	NSS		WIRE, ELECTRICAL, BLACK, 17/0.3, 30 MR ROLL	1
	NSS		WIRE, ELECTRICAL, BLUE / WHITE, 17/0.3, 30 MR ROLL	1
	NSS		TUBING, PVC, 4 MM, BLACK	1
	NSS		WEBBING, GREEN, TYPE 111 CLASS 4 OR 7, 25 MM WIDE, 50 MR ROLL	1
	GYD747		OCCUPANT PAD, CP, 120 MM BY 40 MM BY 500 MM LG.	2
	GYD741		OCCUPANT PAD, CREW, 200 MM BY 300 MM LG.	2
	NSS		WASHER, FLAT, M6	2
	NSS		NUT, M6	2
	NSS		PLATE	1



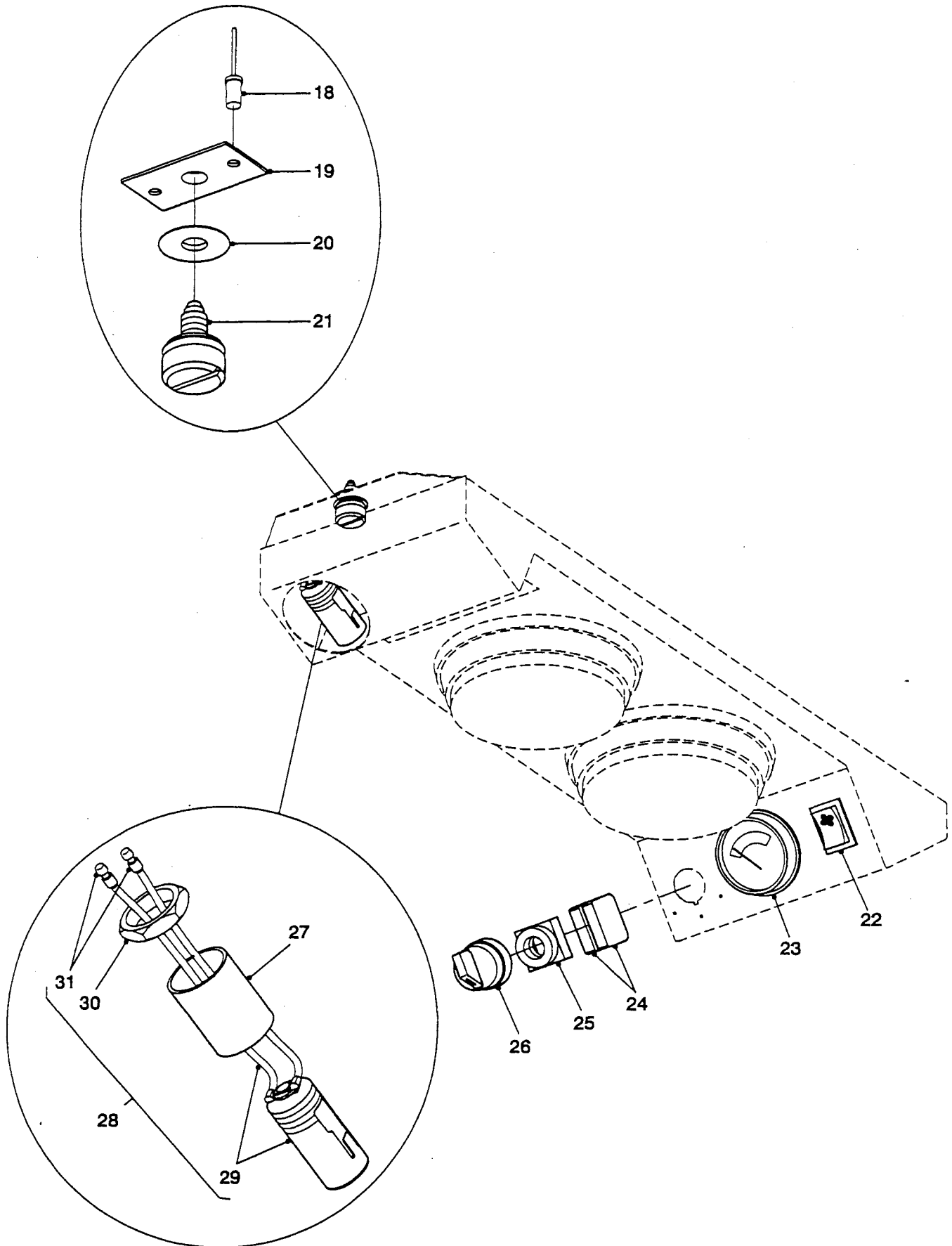
CONSOLE - COMMAND POST

Bush Ranger Land Rover Parts ListDerivative code - INTERIM RPIL02226

WEA CONSOLE - COMMAND POST

<u>Item</u>	<u>Part No.</u>	<u>NSN</u>	<u>Description</u>	<u>Quantity</u>
1	NSS		ROOF CONSOLE ASSEMBLY	1
2	GYD648		DUST COVER, ALUMINIUM SHEET, 5252-H34 TO AS1734, 3 MM THK, 585 MM BY 164 MM	1
			TAPE, SEALING, FOAM, 4 MM BY 20 MM	1
3			RIVET, C/S, 3/16 IN BY 3/8 IN.	6
4	GYD699		HINGE, 50 MM BY 70 MM	1
5	HYM916		LIGHT, CW WHITE LENS, 132.5 MM O.D.	2
6	NSS		GASKET, RUBBER, BLACK	1
7	NSS		BASE, LIGHT, 132.5 MM O.D.	1
8	HYM918		GASKET, LENS	1
9	HYM917		LENS, WHITE	1
10	NSS		SCREW, PK, 20 MM LG.	2
11	SE105201		SCREW, PAN HD, CROSS RECESS, M5 BY 20 MM LG., ZINC PLATED)	4
12	HYL4098		GLOBE, FESTOON, 12V, 5W	1
13	HYG7624		LIGHT ASSEMBLY, BLUE LENS, 132.5 MM O.D.	1
	HYM919		LENS, BLUE	1
	HYL4099		GLOBE, FESTOON, 12V, 21W	1
14	GYD731		LABEL, POWER DRAW, "1 AMP PER SOCKET", AUTOGRAPH VINYL, 20 MM BY 130 MM, WHITE ON BLACK	1
15	GYD649		PANEL, ROOF CONSOLE 535 MM BY 164 MM BY 76.2 MM	1
16	WA105001		WASHER, MILD STEEL, M5, ZINC PLATED	4

1

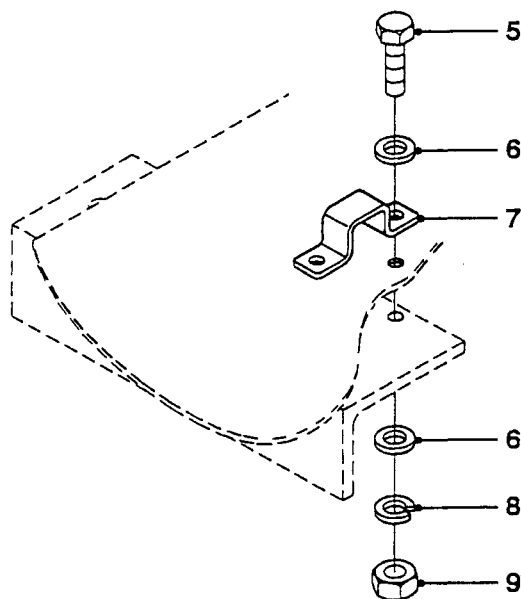
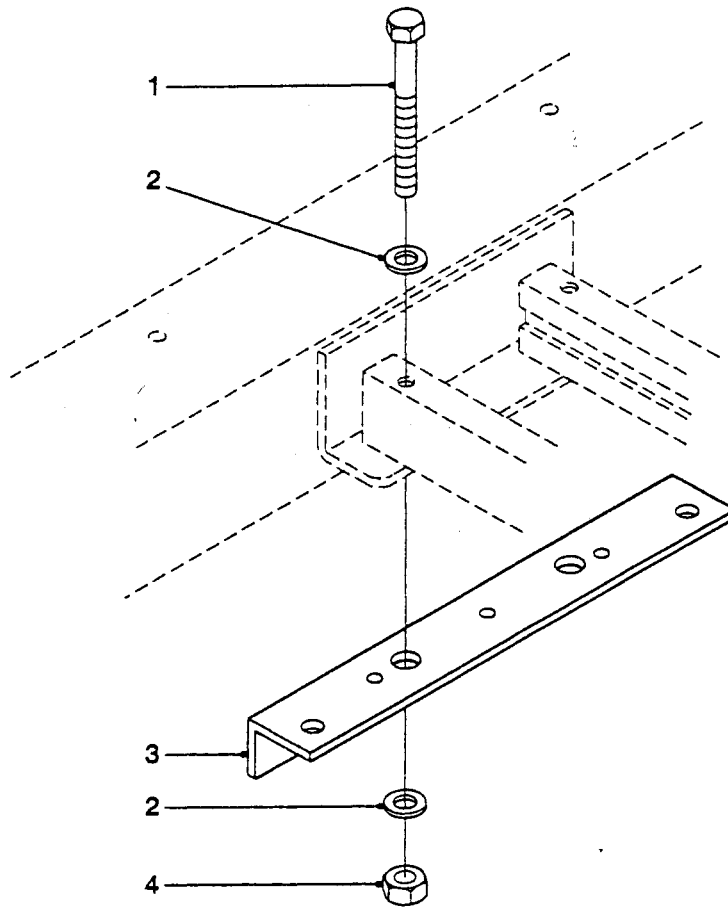


CONSOLE - COMMAND POST

Bush Ranger Land Rover Parts ListDerivative code - INTERIM RPIL02226

WEA CONSOLE - COMMAND POST

<u>Item</u>	<u>Part No.</u>	<u>NSN</u>	<u>Description</u>	<u>Quantity</u>
17	NH105041		NUT, PLAIN, M5, ZINC PLATED	4
18			RIVET, POP, 3.2 DIA., GRIP 4, 7.9 MM LG.	2
19			RECEPTACLE, QUICK RELEASE	1
20			RETAINER, SCREW	1
21			SCREW, QUICK RELEASE	1
22	AYG9955		SWITCH, FAN	1
23			METER, VOLTAGE, WITH BLACK BEZEL	1
24			CONTACT BLOCK	2
25			ADAPTER, FIXING	1
26			SWITCH, SELECTOR	1
27	GYD672		SPACER, ALUMINIUM TUBE, AS1734, 6063-T5, 25.4 MM OD, BY 1.4 MM, 38.5 MM LG.	3
28	NSS		POWER OUTLET ASSEMBLY	3
29	GYD662		POWER OUTLET	1
30	GYD674		NUT, POWER OUTLET	3
31	MYH2565		CONNECTOR, BULLET	2
	GYD654		WIRING LOOM, INTERNAL, CONSOLE	1
			TAPE, SEALING, FOAM, 4 MM BY 20 MM, 10 MR ROLL	1



RADIO FRAME AND BRACKETS

Bush Ranger Land Rover Parts ListDerivative code - INTERIM RPIL02226

WEB RADIO FRAME AND BRACKETS

<u>Item</u>	<u>Part No.</u>	<u>NSN</u>	<u>Description</u>	<u>Quantity</u>
1	BH108301		BOLT, HEX HD, M8 BY 30 MM LG	3
2	WA108001		WASHER, FLAT, M8	5
3	GYD680		BRACKET, ANGLE, ALUMINIUM ALLOY, 6061 T6, 50 MM BY 40 MM BY 339 MM LG.	1
4	NY108001		NUT, NYLOC, M8	3
5	BH106251		BOLT, HEX HD, M6 BY 25 MM LG., GRADE 8.8	8
6	WA106001		WASHER, FLAT, M6	16
7	GYD688		BRACKET, SADDLE, STEEL, 65 MM BY 16 MM BY 3/16, AS 3679-250	4
8	WL106001		WASHER, LOCK, M6	8
9	NY106001		NUT, NYLOCK, M6	8

INTENTIONALLY

LEFT

BLANK

Bush Ranger Land Rover Parts List

Derivative code - INTERIM RPIL02226

WEC INTERCOM SYSTEM - VEHICLE CABIN

<u>Item</u>	<u>Part No.</u>	<u>NSN</u>	<u>Description</u>	<u>Quantity</u>
-------------	-----------------	------------	--------------------	-----------------

0

INTENTIONALLY

LEFT

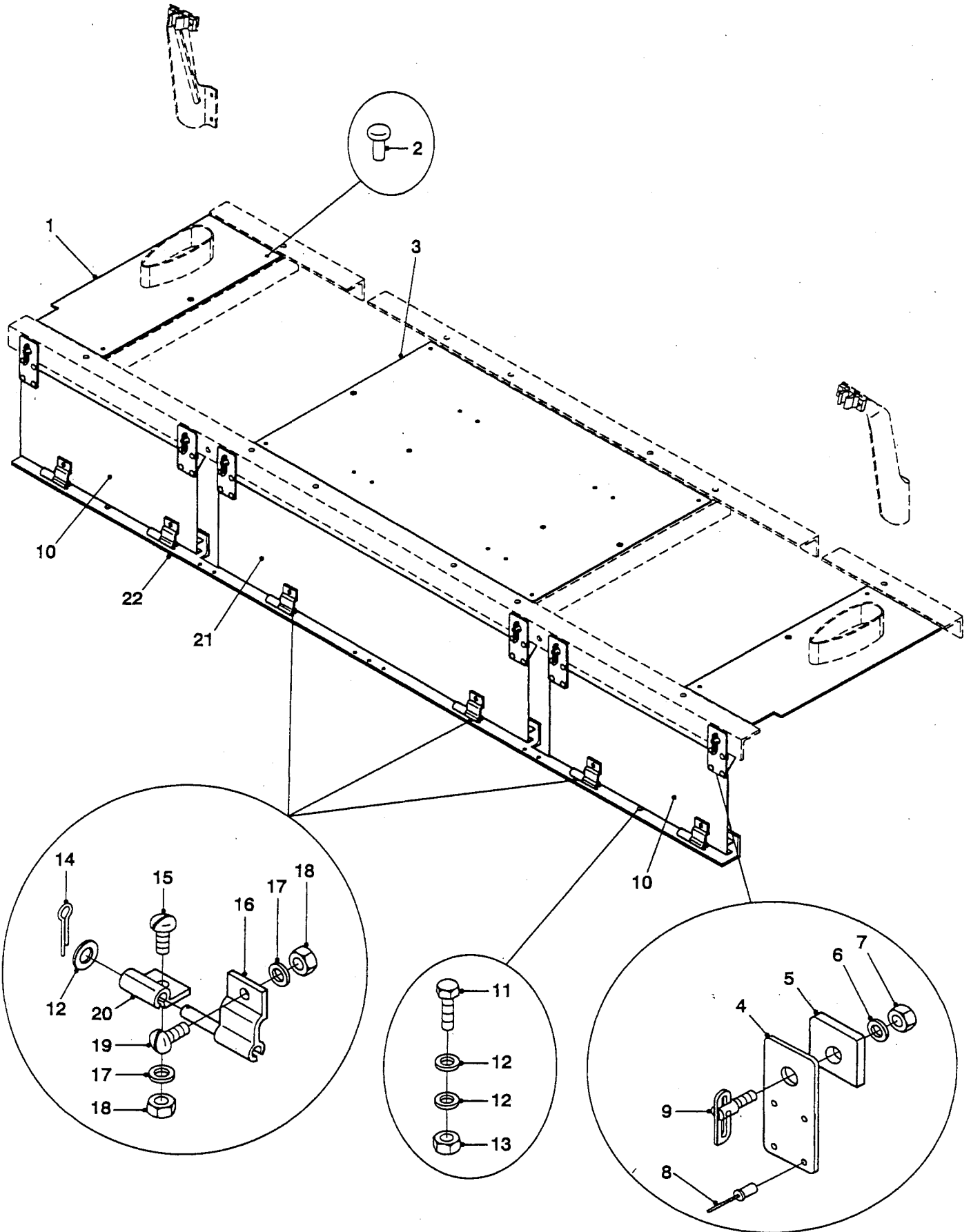
BLANK

Bush Ranger Land Rover Parts List

Derivative code - INTERIM RPIL02226

WEC INTERCOM SYSTEM - MODULE

<u>Item</u>	<u>Part No.</u>	<u>NSN</u>	<u>Description</u>	<u>Quantity</u>
0				

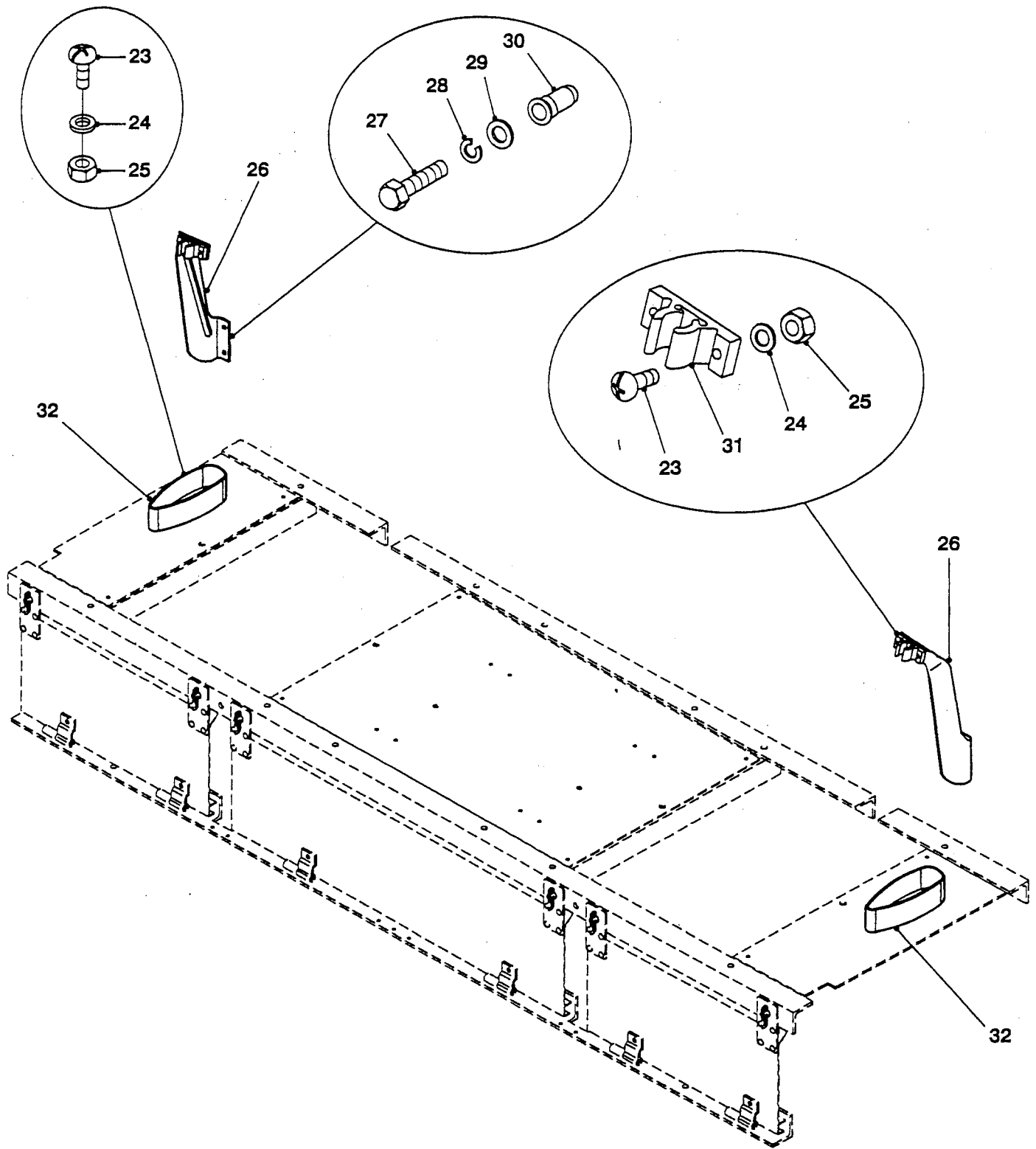


**UNDER SEAT STOWAGE BINS
AND WEAPON MOUNTING BRACKETS**

Bush Ranger Land Rover Parts ListDerivative code - INTERIM RPIL02226

WED UNDER SEAT STOWAGE BINS

<u>Item</u>	<u>Part No.</u>	<u>NSN</u>	<u>Description</u>	<u>Quantity</u>
1	FYD1522/1		COVER PLATE, SEAT, OUTER, 5 MM ALUMINIUM SHEET, 5083-H321, 499 MM BY 205 MM	2
2	HYL8931		MONOBOLT, 1/4 IN.	8
3	FYD1521/1		PLATE, SEAT, UPPER MIDDLE, 3 MM ALUMINIUM, 5083 H321, 790 MM BY 500 MM	1
4	GYD601/2		PLATE, MOUNTING, 4 MM ALUMINIUM, 5083 H321, 50 MM BY 110 MM	6
5	NSS		TESA DURAFOAM 6110, 25 MM BY 3.2 MM BY 45 MM LG.	12
6	WA108054		WASHER, FLAT, M8	6
7	NZ108044		NUT, NYLOCK, M8	6
8			RIVET, BLIND, 4.8 MM BY 10.9 MM	29
9			ANTI-LUCE FASTENER, M8	6
10	GYD600		STOWAGE DOOR, OUTER, ALUMINIUM EXTRUSION N8710R, 495 MM BY 250 MM	2
11	BH110081		BOLT, HEX HD, M10 BY 40 MM	8
12	WA110064		WASHER, FLAT, M10	14
13	NZ110044		NUT, NYLOCK, M10	8
14			PIN, SPLIT, 3.2 MM BY 16 MM, STAINLESS STEEL	6
15	SP106251		SCREW, PAN HD, M6 BY 25 MM LG.	6
16	FYD0041/5		HINGE BODY, C/W PIN	6
17	WA106044		WASHER, FLAT, M6	6
18	NZ106044		NUT, NYLOCK, M6	6
19	SP106161		SCREW, PAN HD, M6 BY 16 MM	6



**UNDER SEAT STOWAGE BINS
AND WEAPON MOUNTING BRACKETS**

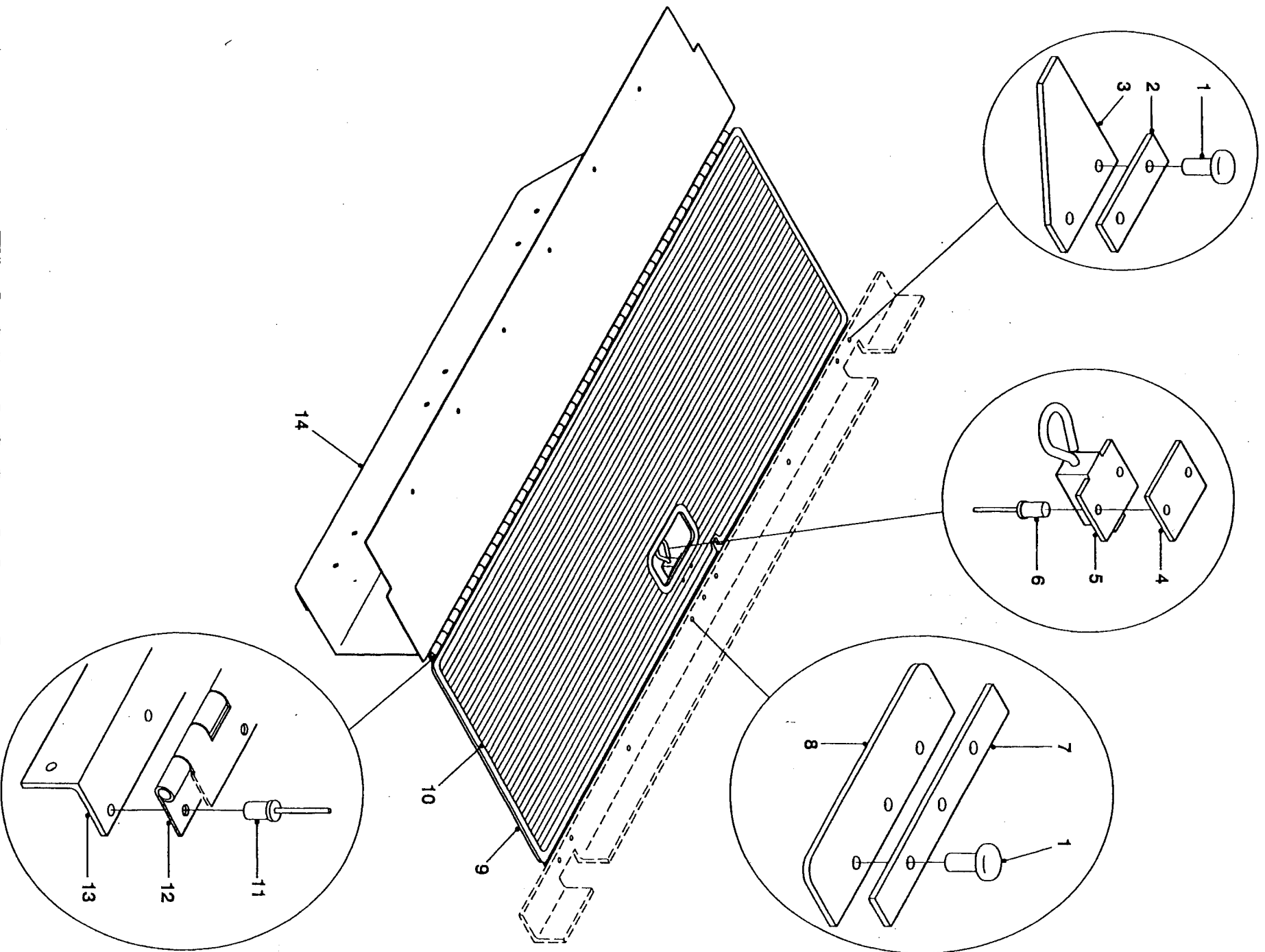
Bush Ranger Land Rover Parts ListDerivative code - INTERIM RPIL02226

WED UNDER SEAT STOWAGE BINS

<u>Item</u>	<u>Part No.</u>	<u>NSN</u>	<u>Description</u>	<u>Quantity</u>
20	FYD0041/10		HINGE, PIN RETAINING, ALUMINIUM 6061 T6, EXTRUSION T9146R	6
21	GYD601/1		STOWAGE DOOR, CENTRE, ALUMINIUM EXTRUSION N8710R, 878 MM BY 250 MM	1
22	GYD603		ANGLE, LOWER, ALUMINIUM 6061 T6, 50.8 MM BY 50.8 MM BY 6.35 MM BY 2002 MM LG	1
23	MYH3762		SCREW, MUSH HD., CROSS RECESS, M6 BY 20 MM LG.	8
24	WA106044		WASHER, FLAT M6	8
25	NZ106044		NUT, NYLOCK M6	8
26	FYD1531/2		BRACKET, MOUNTING, R/H	1
	FYD1531/1		BRACKET, MOUNTING, L/H	1
27	SH108201		BOLT, HEX HD., M8 BY 20 MM LG.	4
28	WL108004		WASHER, SPRING, SINGLE COIL, M8	4
29	WA108054		WASHER, FLAT, M8	4
30			RIVET NUT, M8	4
31	MYH3386		CATCH, FEMALE, BLACK PLASTIC	2
32	HYG3498		BOX, BUTT	2

GROUP WEE

02226

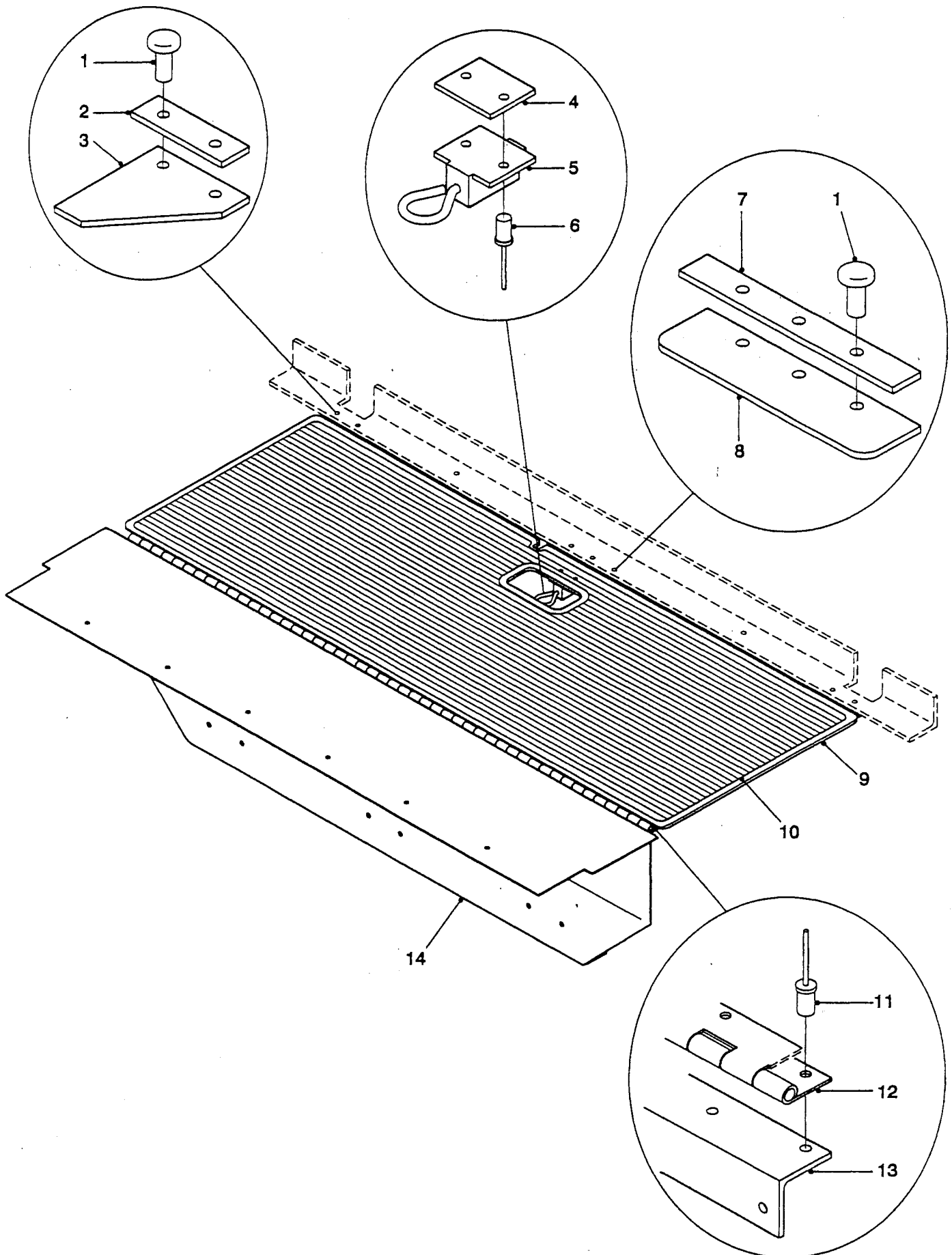


FLOOR ACCESS DOOR

Bush Ranger Land Rover Parts ListDerivative code - INTERIM RPIL02226

WEE FLOOR ACCESS DOOR

<u>Item</u>	<u>Part No.</u>	<u>NSN</u>	<u>Description</u>	<u>Quantity</u>
1	HYM942		MONOBOLT, 1/4 IN. BY 0.76 IN LG.	7
2	GYD604/2		SPACER, BRACKET, LOWER DOOR, 4 MM ALUMINIUM, 5083 H321, 21 MM BY 70 MM LG.	2
3	GYD604/1		BRACKET, LOWER DOOR, 4 MM ALUMINIUM, 80 MM BY 70 MM	2
4	GYD677		MOUNT, BRACKET, LATCH, 32 MM BY 3 MM, ALUMINIUM 6060 T5, 40 MM BY 32 MM	1
5			LATCH, RING TAIL LOCK	1
6	RJ612503		RIVET, BLIND, COUNTERSUNK, ALUMINIUM, 4.8 MM BY 18 MM LG.	12
7	GYD606/2		SPACER, LOWER DOOR BRACKET, 4 MM ALUMINIUM 5083 H321, 150 MM BY 20 MM	2
8	GYD606/1		BRACKET, CENTRE LOWER DOOR, 4 MM ALUMINIUM 5083 H321, 150 MM BY 40 MM	1
9	FYD1520		PLATE, FLOOR, RAISABLE, 4 MM ALUMINIUM SHEET 5083 H321, 1010 MM BY 360 MM	1
10	NSS		RUBBER, 3 MM FLUTED SHEET, 50 DURO, 1010 MM BY 358 MM BY 10 MR LG.	1
	NSS	8040-99-220-2553		1
	NSS	5070-66-132-1327		1
	NSS	8040-66-131-2610		1
11	RJ612313		RIVET, BLIND, COUNTERSUNK, 4.8 MM BY 13.2 MM LG., ALUMINIUM	10
12			HINGE, STAINLESS STEEL, 970 MM LG.	1
13	GYD676		ANGLE, SUPPORT, ALUMINIUM 6060 T5, 32 MM BY 32 MM BY 3 MM, 970 MM LG.	1



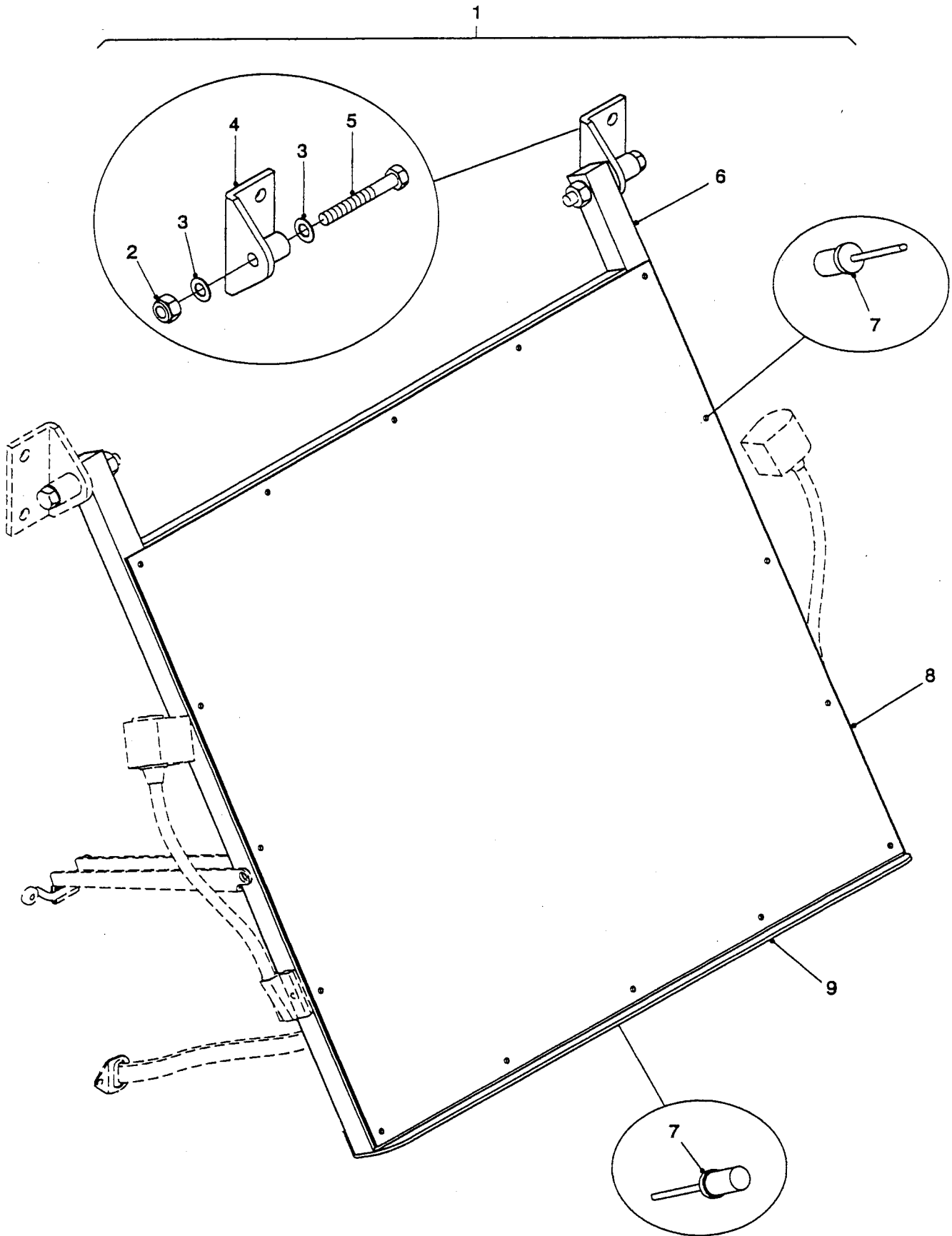
FLOOR ACCESS DOOR

Bush Ranger Land Rover Parts List

Derivative code - INTERIM RPIL02226

WEE FLOOR ACCESS DOOR

<u>Item</u>	<u>Part No.</u>	<u>NSN</u>	<u>Description</u>	<u>Quantity</u>
14	FYD1524		DIVIDER, UNDER PARTITION, 2 MM ALUMINIUM 5251 H38, 288 MM BY 986 MM LG.	1

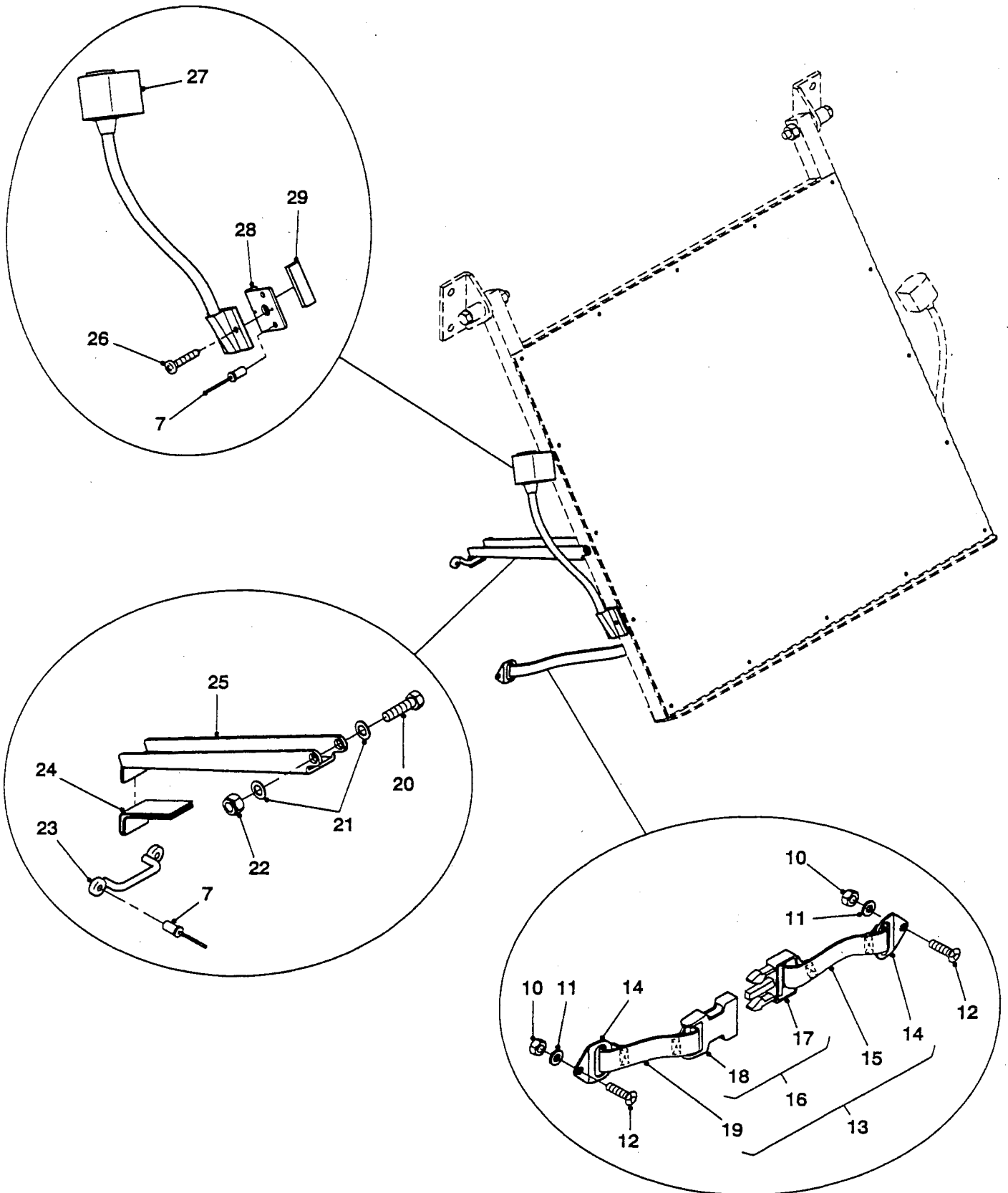


**WORK TABLE, LIGHT
AND MOUNTING BRACKETS**

Bush Ranger Land Rover Parts ListDerivative code - INTERIM RPIL02226

WEF WORK TABLE, LIGHT AND MOUNTING BRACKETS

<u>Item</u>	<u>Part No.</u>	<u>NSN</u>	<u>Description</u>	<u>Quantity</u>
1	NSS		WORK TABLE ASSEMBLY, 554 MM BY 600 MM	2
2	NY110001		NUT, NYLOCK, M10	2
3	WA110001		WASHER, FLAT, M10.	8
4	GYD595/2		BRACKET, ANGLE, ALUMINIUM ALLOY 50 MM BY 50 MM BY 6 MM, BY 90 MM LG.	4
5	BH110751		BOLT, HEX HD, M10 BY 75 MM LG.	2
6	GYD595		WORK TABLE, 554 MM BY 600 MM	2
7			RIVET, BLIND, ALUMINIUM, 4.8 MM BY 11.4 MM LG.	30
8	GYD595/6		PLATE, COVER, ALUMINIUM ALLOY 25 BY 25 BY 3 S.H.S., 544 MM BY 600 MM	1
9			ANGLE, ALUMINIUM ALLOY 50 MM BY 25 MM BY 3 MM, BY 600 MM LG.	2
10	NY106001		NUT, NYLOCK, M6	15
11	WA106001		WASHER, FLAT, M6	26
12	SG106451		SCREW, RECESSED HD, M6 BY 45 MM LG.	7
13	GYD613		STRAP ASSEMBLY, WORK TABLE	2
14	NSS		BUCKLE, RETAINING END	4
15	NSS		STRAP, WEBBING, 620 MM LG.	1
16			CLIP, SIDE RELEASE, OLIVE DRAB	2
17	NSS		CLIP, MALE	2
18	NSS		CLIP, FEMALE	2
19	NSS		STRAP, WEBBING, 500 MM LG.	2
20	SH108451		SCREW, HEX HD, M8 BY 45 MM LG.	4

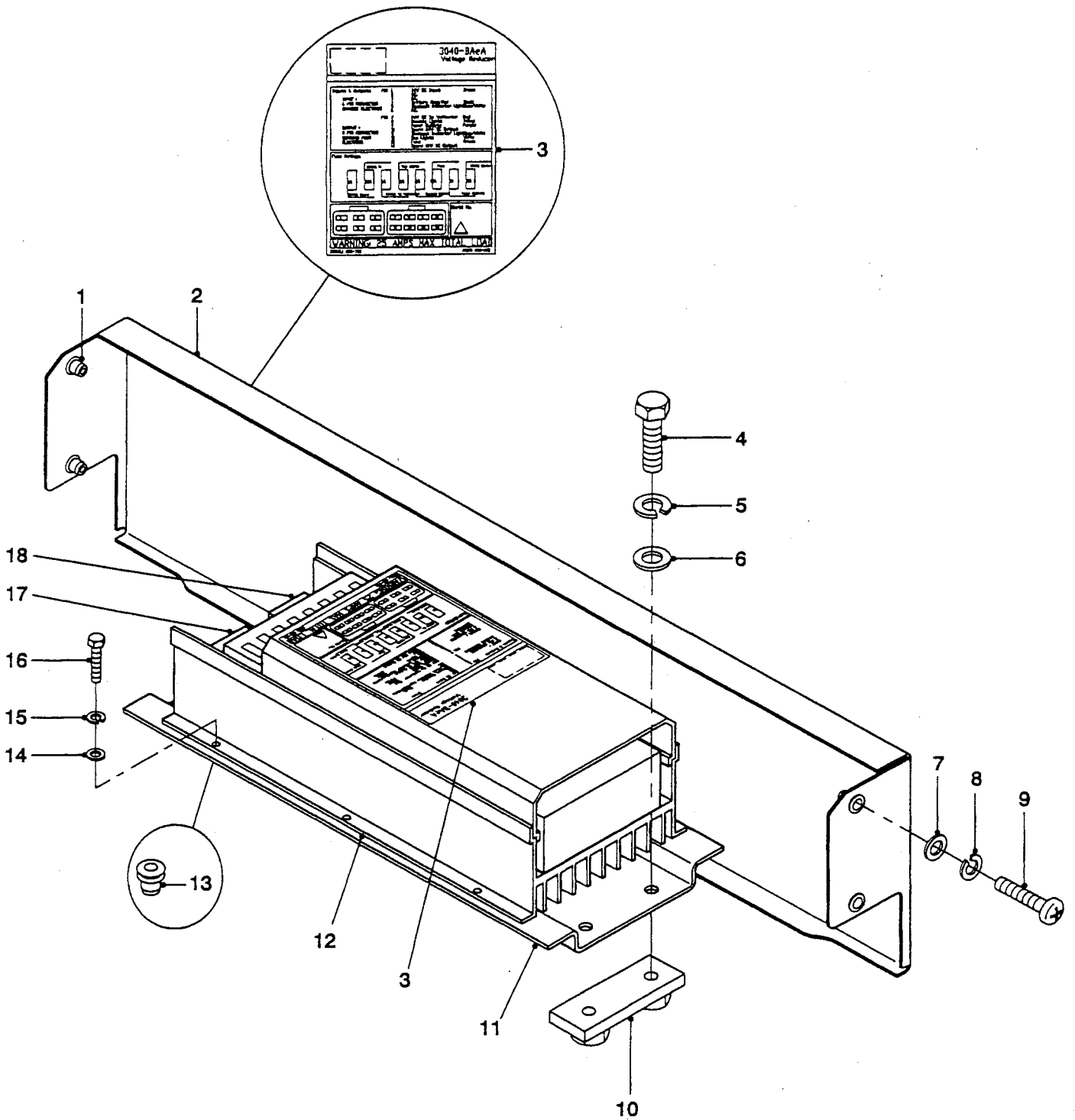


**WORK TABLE, LIGHT
AND MOUNTING BRACKETS**

Bush Ranger Land Rover Parts ListDerivative code - INTERIM RPIL02226

WEF WORK TABLE, LIGHT AND MOUNTING BRACKETS

<u>Item</u>	<u>Part No.</u>	<u>NSN</u>	<u>Description</u>	<u>Quantity</u>
21	WA108451		WASHER, FLAT, M8	18
22	NY108001		NUT, NYLOCK, M8	4
23			BREECHING STAPLE	2
24	NSS		RUBBER, BLACK, 1.5 MM THK., 25 MM BY 145 MM LG.	1
	NSS	8040-99-220-2553	BOSTIK 2402	1
	NSS	5070-66-132-1327	BOSTIK 9101	150
	NSS	8040-66-131-2610	BOSTIK 9913	1
25	GYD607		STAY, ALUMINIUM CHANNEL 32 BY 25 BY 3, 5080 T5, 247 MM LG.	2
26	AC105301		SCREW, SELF TAPPING, C'SUNK HD., 5 MM BY 30 MM LG.	8
27	NSS	6220-66-128-4245	LIGHT, 12V. 5 W., PENDANT MOUNT	4
	BYG9092		LENS, BLUE	2
	NSS		LAMP, INCANDESANT, 12V. 5 W.	2
28	GYD683		PLATE, TABLE, 3 MM ALUMINIUM 5005 H34, 40 MM BY 40 MM	4
29			EDGING, BLACK, RUBBER	1
			EDGING, BLACK, RUBBER	1
			WEBBING, DRAB OLIVE, 25 MM W., 40 MR ROLL	1
	NSS		RUBBER, BLACK, 1.5 MM THK., BY 1200 MM W.	1

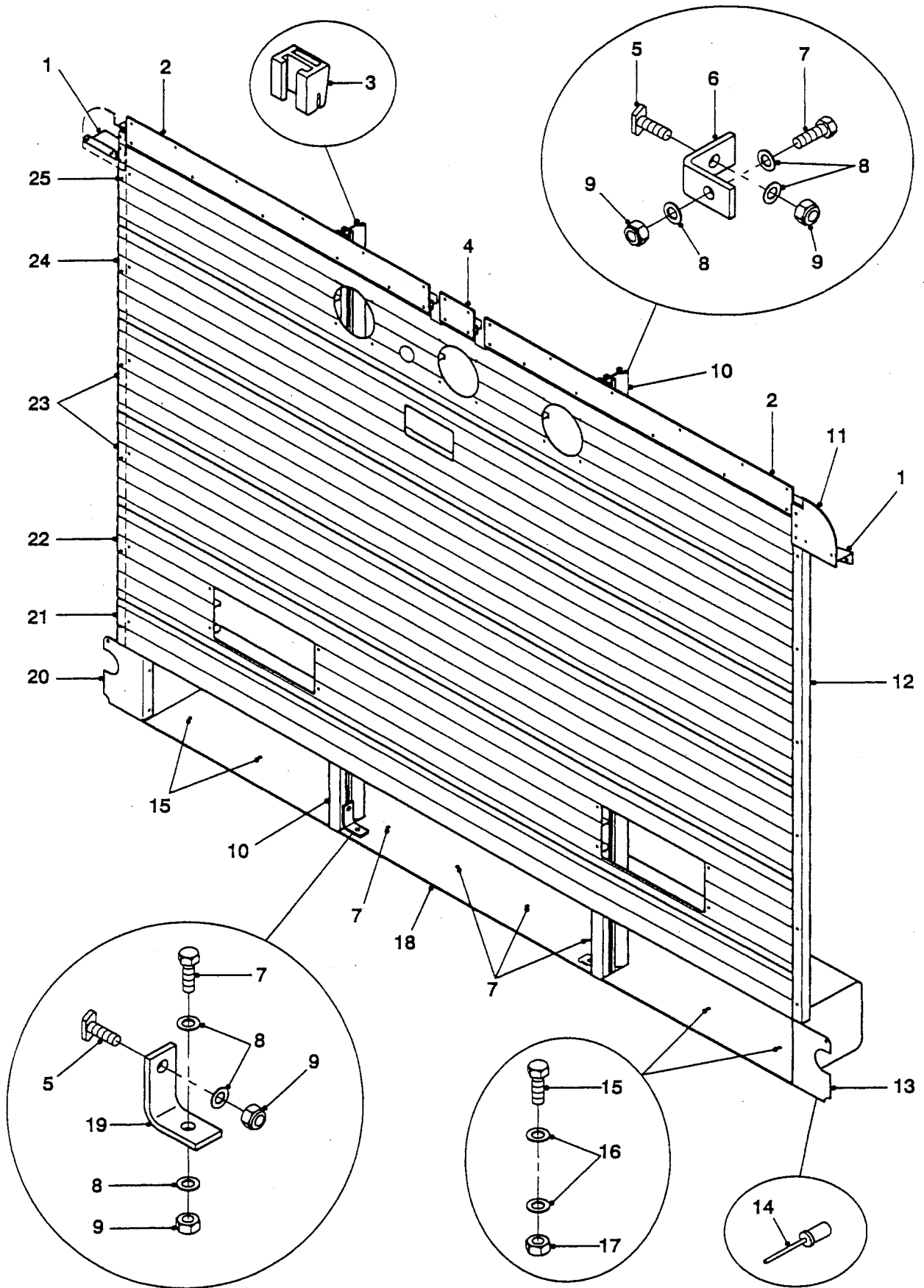


**VOLTAGE REDUCER
AND MOUNTING BRACKETS**

Bush Ranger Land Rover Parts ListDerivative code - INTERIM RPIL02226

WEG VOLTAGE REDUCER AND MOUNTING BRACKETS

<u>Item</u>	<u>Part No.</u>	<u>NSN</u>	<u>Description</u>	<u>Quantity</u>
1			RIVET NUT, M6	4
2	GYD612		COVER, VOLTAGE REDUCER, ALUMINIUM SHEET, 5251-H34 727 MM BY 177 MM BY 3 MM	1
3	GYD708		DECAL, VOLTAGE REDUCER, BLACK ON WHITE BACKGROUND, 110 MM BY 140 MM	1
4	BH108061		BOLT, HEX HD, M8 BY 30 MM LG.	4
5	WL108001		WASHER, SPRING, SINGLE COIL, M8	4
6	WA108054		WASHER, FLAT, M8	4
7	WA106054		WASHER, FLAT, M6	8
8	WL106004		WASHER, SPRING, SINGLE COIL, M6	8
9	SE106301		SCREW, PAN HD., X-DRIVE, M6 X 30 MM LG.	8
10	GYD062		NUT PLATE, BACKING, M8, 84 MM BY 25 MM BY 3 MM.	2
11	GYD685		BRACKET, VOLTAGE REDUCER, ALUMINIUM, 5251-H34, 390 MM BY 160 MM BY 3 MM	1
12	GYD691		REDUCER, VOLTAGE	1
13			RIVET NUT, M4	6
14	WA104054		WASHER, FLAT, M4	6
15	WL106004		WASHER, SPRING, SINGLE COIL,	18
16	SH104201		BOLT, HEX HD., M4 BY 20 MM LG.	18
17	HYM920		RECEPTACLE, 8 WAY	1
18	HYM921		RECEPTACLE, 6 WAY	1
	HYM922		TERMINAL, FEMALE, BLADE	10



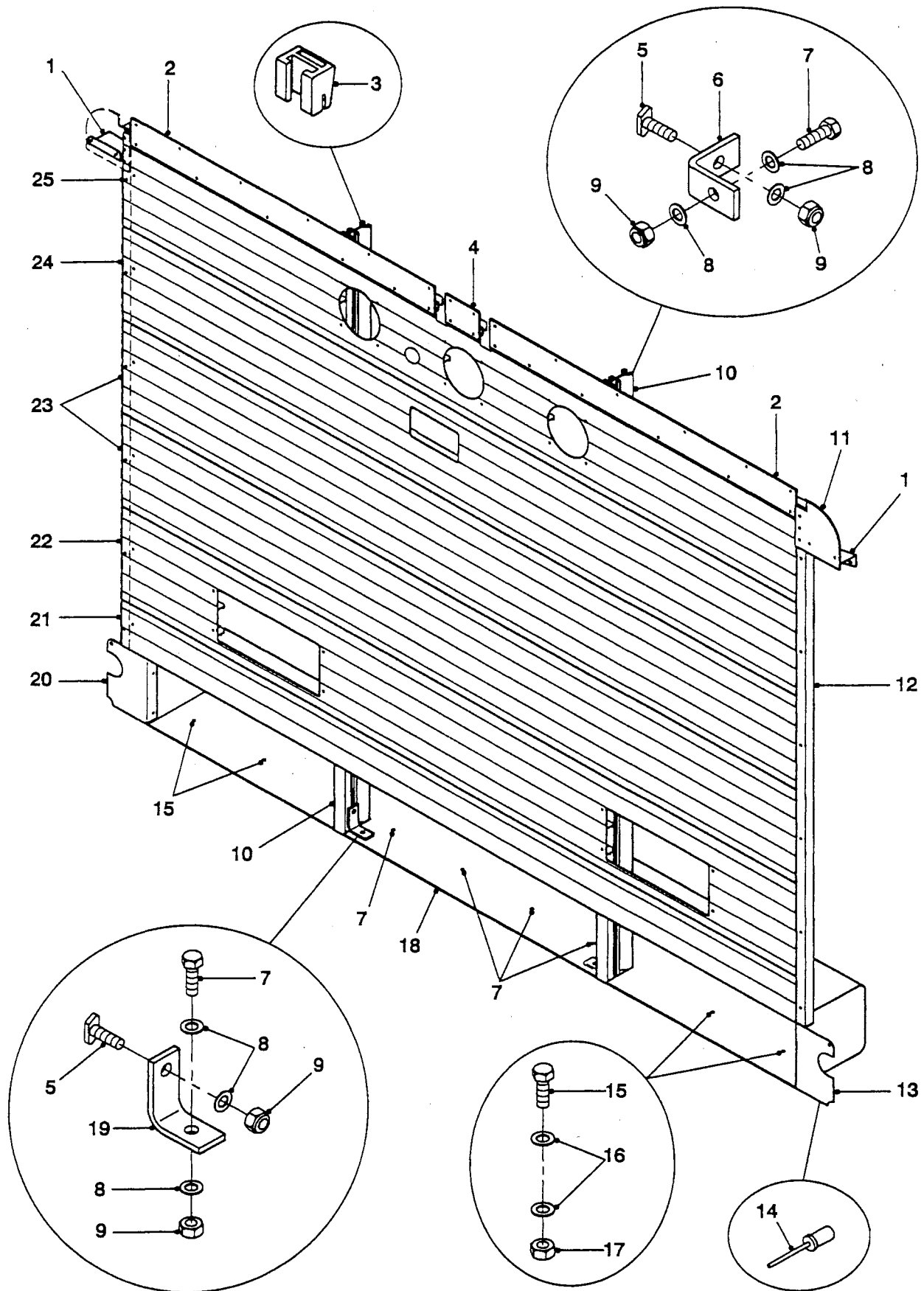
PARTITION AND MOUNTING BRACKETS

Bush Ranger Land Rover Parts List

Derivative code - INTERIM RPIL02226

WEH PARTITION AND MOUNTING BRACKETS

<u>Item</u>	<u>Part No.</u>	<u>NSN</u>	<u>Description</u>	<u>Quantity</u>
1	GYD594		BRACKET, CANVAS TO COVER PLATE, 2 MM ALUMINIUM 5251 H34, 50 MM BY 70 MM	1
2	FYD1507/3		PLATE, WALL TO ROOF BOW, EXTERNAL, 4 MM ALUMINIUM SHEET, 5083 H321, 70 MM BY 870 MM LG.	2
3	FYD1507/7		CLAMP, PLANK, BLACK, PLASTIC	10
4	FYD1507/4		PLATE, WALL TO ROOF BOW, CENTRE, 4 MM, ALUMINIUM SHEET 5083 H321, 70 MM BY 96 MM	1
5	GYD698		BOLT, TEE, M8 BY 25 MM LG.	4
6	FYD1507/8		ANGLE, RETAINING , TOP PARTITION PANEL, MILD STEEL, GRADE 250, 25 MM BY 5 MM BY 97MM	2
7	SH108251		SCREW, HEX HD, M8 BY 25 MM LG., GRADE 8.8	8
8	WA108001		WASHER, FLAT, M8	24
9	NY108001		NUT, NYLOCK, M8	12
10	FYD1506/4		RETAINER, VERTICAL, ALUMINIUM EXTRUSION N9123, 1495 MM LG.	2
11	FYD1507/5		PLATE, PARTITION WALL TO CANT RAIL COVER, 4 MM ALUMINIUM SHEET 5083 H321, 122 MM BY 127 MM	2
			SEALER, AUTOSEAL, 300 GM. TUBE	1
12	FYD1506/3		END PIECE, VERTICAL, ALUMINIUM CHANNEL 5060 T6, 1495 MM LG.	2
13	GYD597		COVER, LOWER, L/H, 2 MM ALUMINIUM, 5251 H34, 121 MM BY 165 MM	1



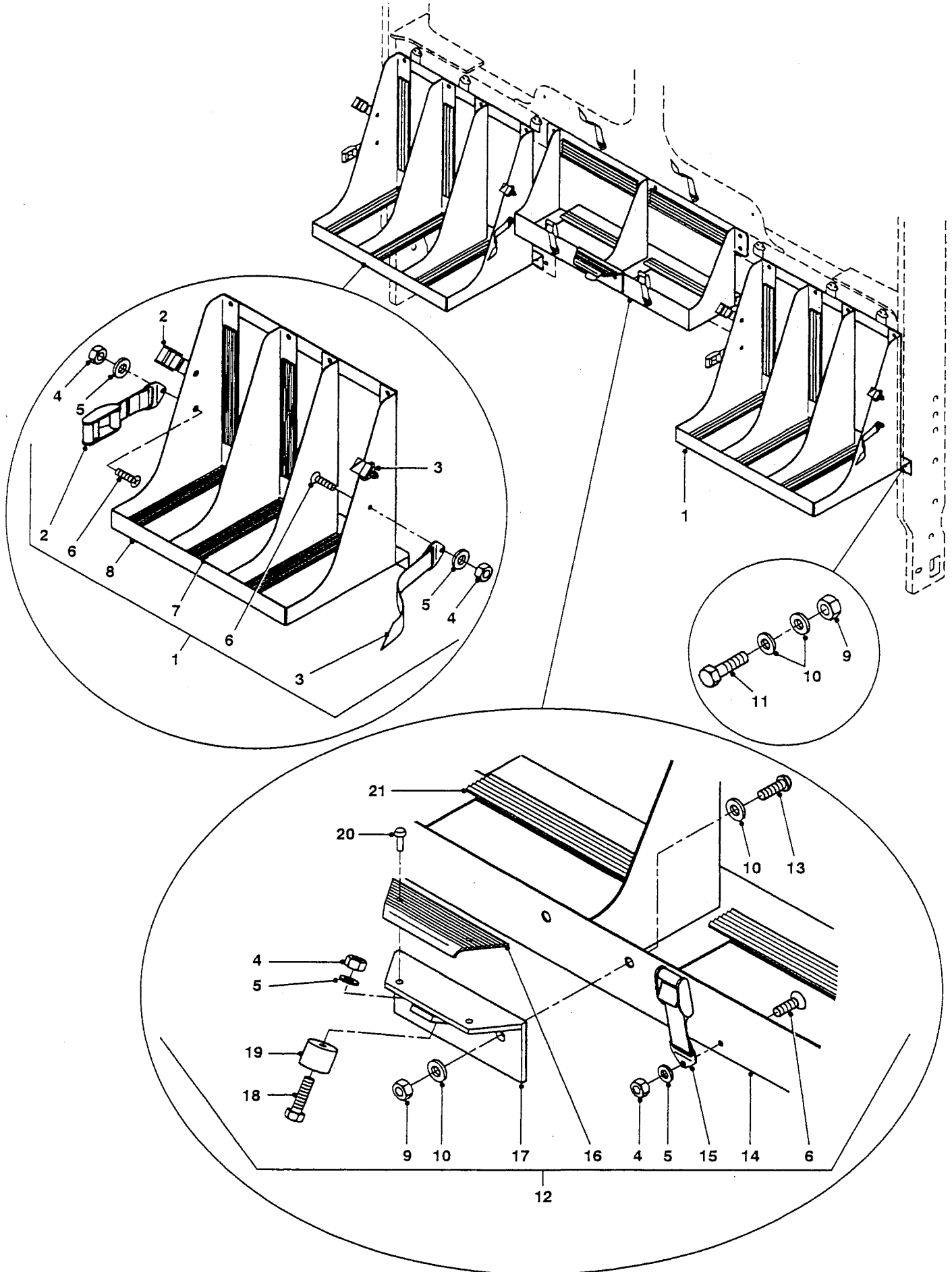
**PARTITION AND
MOUNTING BRACKETS**

Bush Ranger Land Rover Parts List

Derivative code - INTERIM RPIL02226

WEH PARTITION AND MOUNTING BRACKETS

<u>Item</u>	<u>Part No.</u>	<u>NSN</u>	<u>Description</u>	<u>Quantity</u>
14			RIVET, BLIND, 4.8 MM BY 11.4 MM LG.	54
15	BH106251		BOLT, HEX HD, M6 BY 25 MM LG	12
16	WA106001		WASHER, FLAT M6	26
17	NY106001		NUT, NYLOCK, M6	12
18	FYD1506/1		BOTTOM PRESSING	1
19	FYD1507/9		ANGLE, RETAINING, BOTTOM PANEL, MILD STEEL, GRADE 250, 25 MM BY 5 MM BY 92 MM	1
20	GYD598		COVER, LOWER, R/H, 2 MM ALUMINIUM, 5251 H34, 121 MM BY 165 MM	1
21	FYD1506/2		PLANK, BOTTOM, ALUMINIUM EXTRUSION 6061 T6 - N5870, 1950 MM LG.	1
22	FYD1508/2		PLANK, WALL, WITH 2 HOLES, ALUMINIUM EXTRUSION 6061 T6 - N2435R	1
23	FYD1508/1		PLANK, PLAIN, ALUMINIUM EXTRUSION 6061 T6 - N2435R, 1950 MM LG.	2
24	FYD1508/4		PLANK, SLOTTED, ALUMINIUM EXTRUSION 6061 T6 - N2435R, 1950 MM LG.	1
25	FYD1508/3		PLANK, TOP, ALUMINIUM EXTRUSION 6061 T6 - N2435R, 1950 MM LG.	1

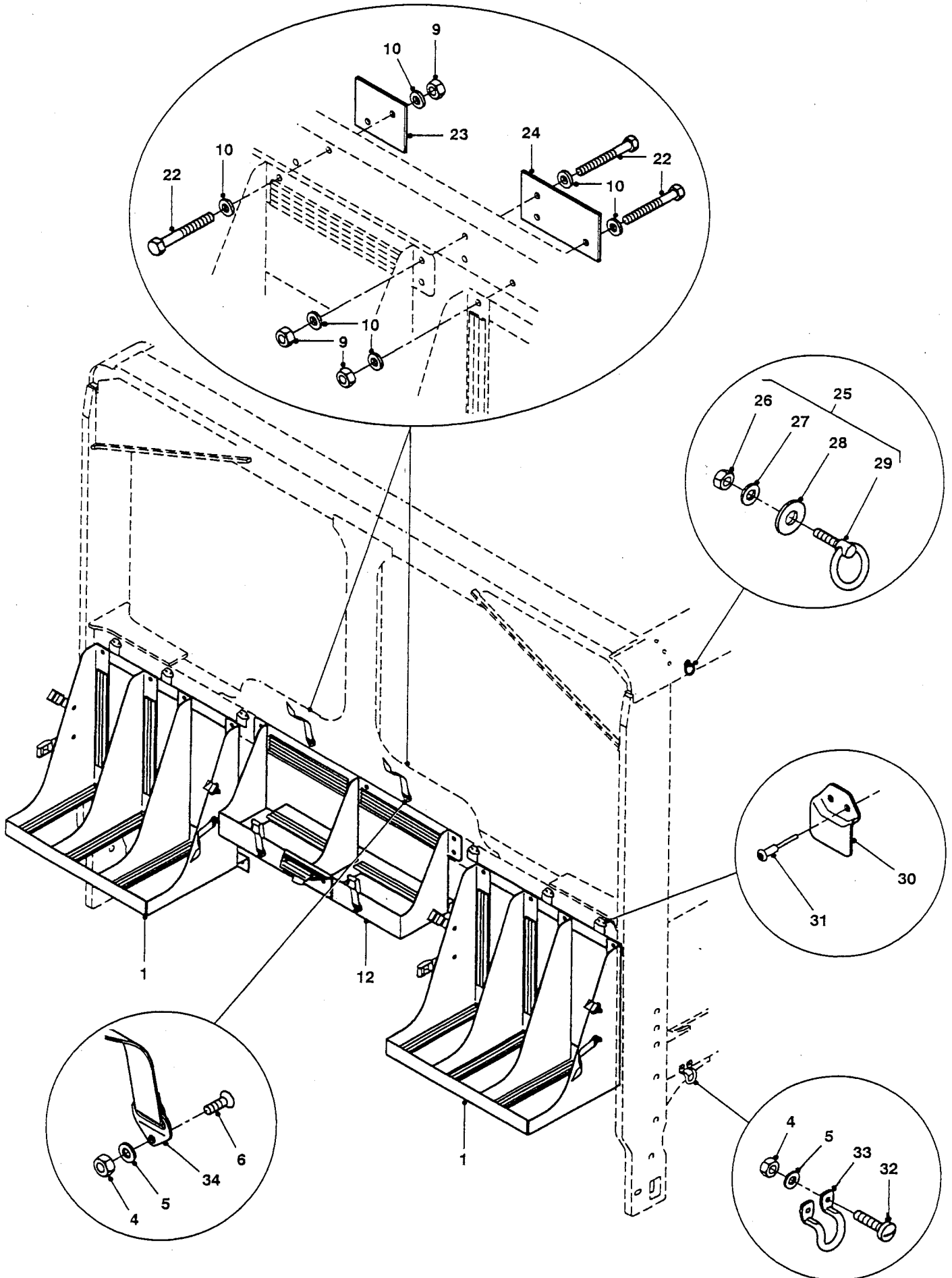


EXTERIOR FITTINGS - MODULE

Bush Ranger Land Rover Parts ListDerivative code - INTERIM RPIL02226

WF EXTERIOR FITTINGS - MODULE

<u>Item</u>	<u>Part No.</u>	<u>NSN</u>	<u>Description</u>	<u>Quantity</u>
1	FYD0053	2540-66-142-8888	HOLDER	2
2	FYD0053/4	5340-66-142-8890	STRAP AND BUCKLE ASSEMBLY	2
3	FYD0053/5	5340-66-142-8892	STRAP ASSEMBLY	4
4	NZ106044		NUT, SELF LOCKING, HEX., M6, ZINC PLATED, BLACK	60
5	WA106045		WASHER, FLAT, STEEL, M6, ZINC PLATED, BLACK	60
6	SE106164		SCREW, COUNTERSUNK HD., M6 BY 16 MM LG., ZINC PLATED, BLACK	8
7	FYD0053/9		STRIP, RUBBER, 4 MM BLACK RIBBED MATTING, 33 MM BY 330 MM	8
8	NSS		TRIPLE, JERRY CAN HOLDER, BODY PLATE	1
9	NZ110044		NUT, SELF LOCKING, HEX., M10, ZINC PLATED, BLACK	26
10	WA110064		WASHER, FLAT, M10, ZINC PLATED, BLACK	52
11	BH110061		BOLT, HEX. HD., M10 BY 30 MM LG., ZINC PLATED, FE/ZN, BLACK	10
12	FYD0054	2540-66-142-8889	HOLDER	1
13	SB110301		SCREW, BUTTON HD., M10 BY 35 MM LG., ZINC PLATED, BLACK	2
14	NSS		DOUBLE JERRY CAN HOLDER, BODY PLATE	1
15	FYD0054/4	5340-66-142-8873	STRAP	4
16	FYD1015/4		EXTRUSION, REAR STEP, ALUMINIUM EXTRUSION, E2611S, 6060 T1, 165 MM LG.	1
17	FYD1015/5		ANGLE, REAR STEP, 76.2 MM BY 50.6 MM BY 6.35 MM, ALUMINIUM, L 6061 T6, 182 MM LG.	1

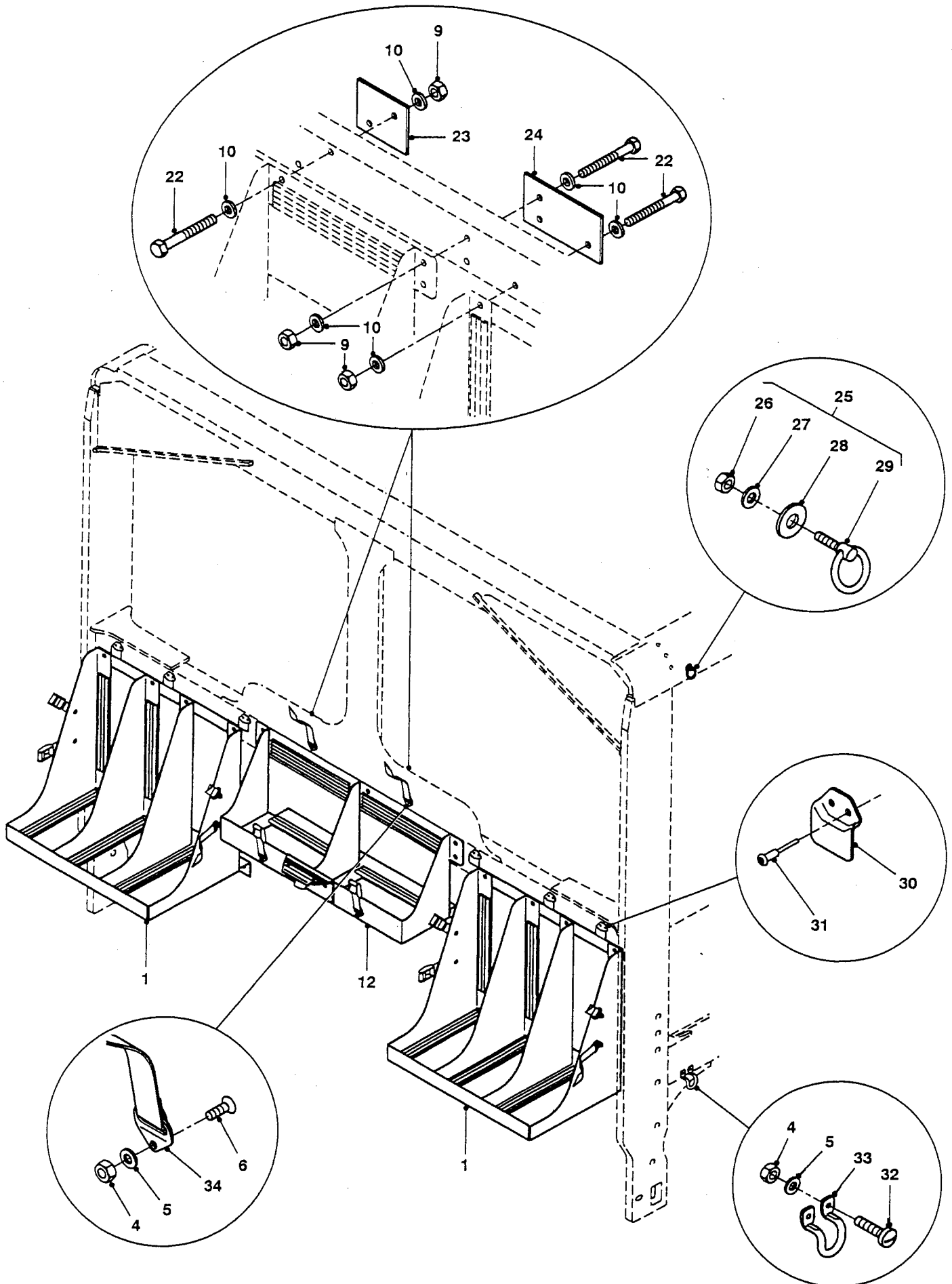


EXTERIOR FITTINGS - MODULE

Bush Ranger Land Rover Parts ListDerivative code - INTERIM RPIL02226

WF EXTERIOR FITTINGS - MODULE

<u>Item</u>	<u>Part No.</u>	<u>NSN</u>	<u>Description</u>	<u>Quantity</u>
18	HYM939		NYLON RECEPTACLE	1
19	SH10625I		SCREW, HEX. HD., M6 BY 25 MM LG., ZINC PLATED, BLACK	1
	HYG6629		PLUG, BLANKING, PVC	2
20	HYL8931	5306-66-128-5498	MONOBOLT	2
21	FYD0054/9		STRIP, RUBBER, RIBBED MATTING	8
	NSS		ADHESIVE, 2 PART PACK	1
	NSS		HARDENER ADHESIVE, 250 MM	1
	NSS		THINNER, ADHESIVE, 4 LITRE	1
22	BH110161L		BOLT, HEX. HD., M10 BY 80 MM LG., ZINC PLATED, BLACK	14
23	FYD1006/11		PLATE, LOAD, JERRY CAN HOLDER, 100 MM BY 6 MM, ALUMINIUM FLAT BAR, 120 MM LG.	2
24	FYD1006/10		PLATE, LOAD, JERRY CAN HOLDER, 100 MM BY 6 MM, ALUMINIUM FLAT BAR, 185 MM LG.	1
25	GYD515		RING BOLT ASSEMBLY	8
26	NZ304041		NUT, SELF LOCKING, HEX., 1/4 IN., BSW, ZINC PLATED, BLACK	10
27	WA106044		WASHER, FLAT, 1/4 IN., ZINC PLATED, BLACK	10
28	WJ600041L		WASHER, FLAT, 22.2 MM O.D. BY 6.8 MM I.D., ZINC PLATED, BLACK	10
29	GYD514		RINGBOLT, 35 MM O.D., 25 MM I.D., BOLT 21 MM LG., BLACK OXIDE COATING	1
30	R301328	2540-66-098-2761	PLATE	6

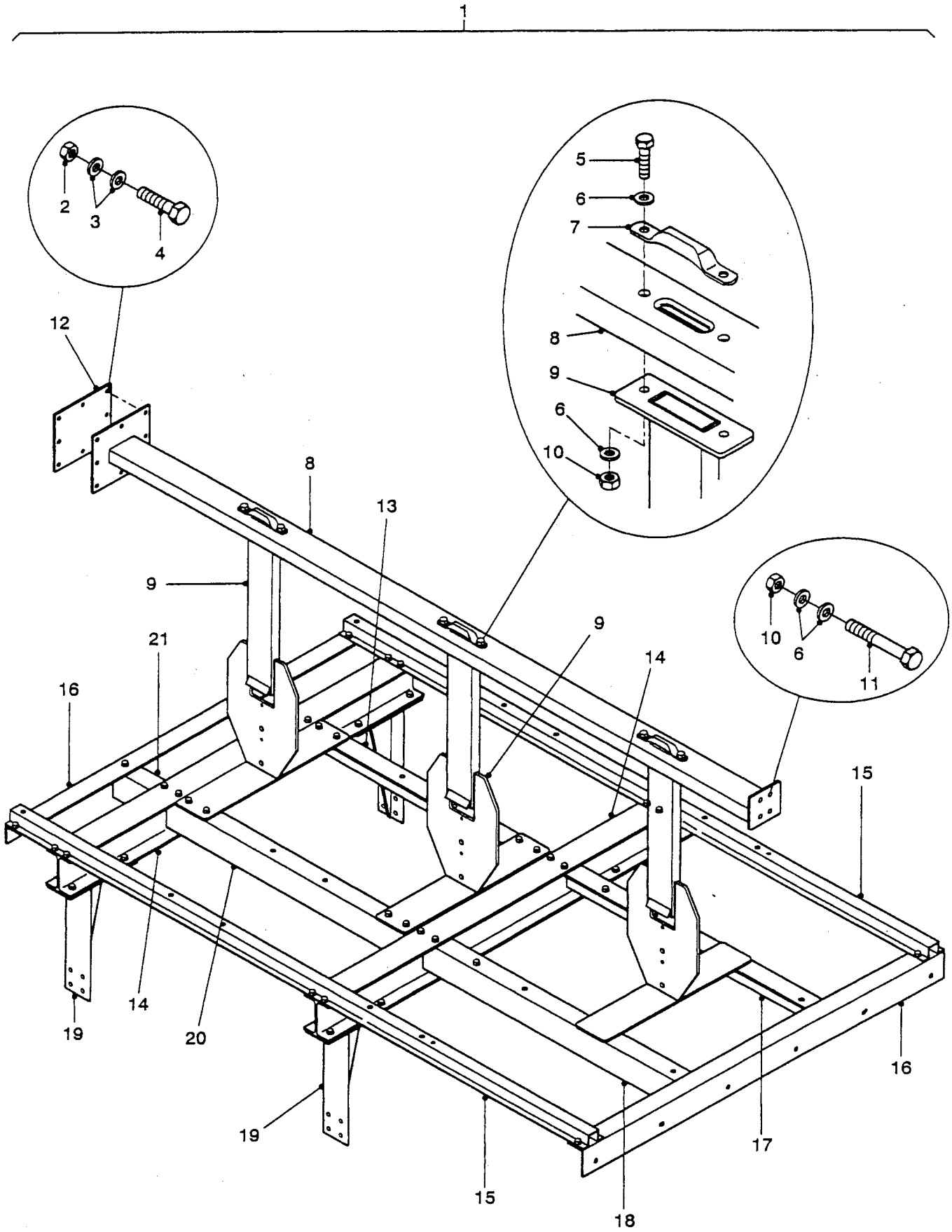


EXTERIOR FITTINGS - MODULE

Bush Ranger Land Rover Parts ListDerivative code - INTERIM RPIL02226

WF EXTERIOR FITTINGS - MODULE

<u>Item</u>	<u>Part No.</u>	<u>NSN</u>	<u>Description</u>	<u>Quantity</u>
31	RU612373		RIVET, BLIND, ALUMINIUM ALLOY, DOME HD., W/BREAK STEM MANDREL, 3/16 IN. DIA., 0.562 IN. LG.	12
32	SE106254		SCREW, PAN HD., M6 BY 25 MM LG., ZINC PLATED, BLACK	52
33	R345699	2510-99-820-7552	HOOK, ROPE	26
34	FYD0054/5	5340-66-142-8891	STRAP AND BUCKLE	2



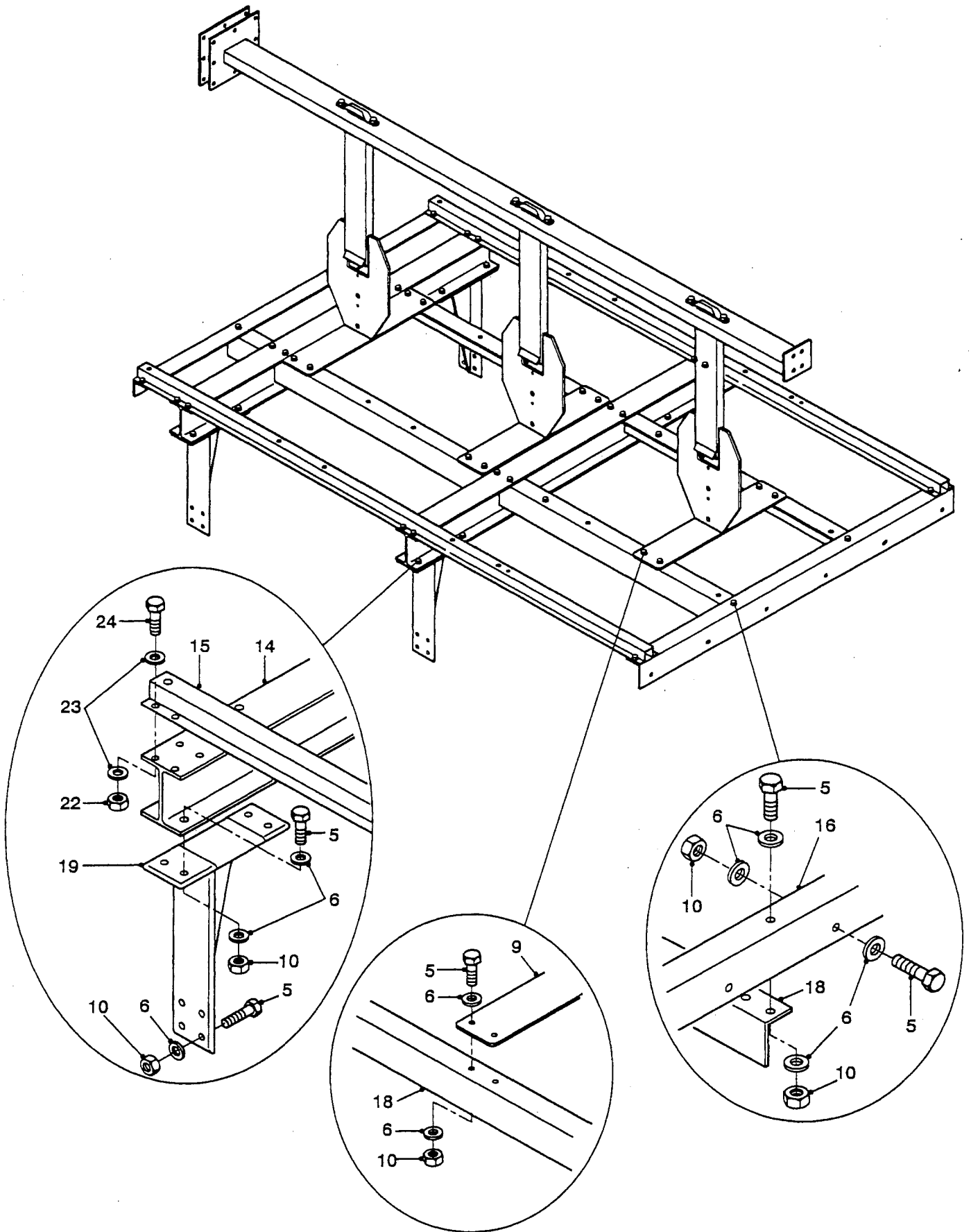
REAR SEAT FRAME ASSEMBLY - CREW

Bush Ranger Land Rover Parts List

Derivative code - INTERIM RPIL02226

WG REAR SEAT FRAME ASSEMBLY - CREW

<u>Item</u>	<u>Part No.</u>	<u>NSN</u>	<u>Description</u>	<u>Quantity</u>
1	FYD1535		SEAT ASSEMBLY, MORTAR VARIANT	1
2	NY106001		NUT, NYLOCK, M6	8
3	WH106001		WASHER, FLAT, M6	16
4	BH106451		BOLT, HEX HD, M6 BY 45 MM LG	8
5	SH110301		BOLT, HEX. HD., M10 BY 30 MM LG., ZINC PLATED, FE/ZN, BLACK	56
6	WA110064		WASHER, FLAT, M10, ZINC PLATED, FE/ZN, BLACK	136
7	FYD0093		RETAINER, SEAT BELT, ANTI-LUCE, 12.7 BY 1.42 W.T. TUBE, 149MM BY 18MM	3
8	FYD1525-1		SUPPORT, REAR, HORIZONTAL, SEAT BELT RETAINER, 76.2 MM BY 38.1 MM BY 6.35 MM, ALUMINIUM CHANNEL 6061 T6 2026 MM LG	1
9	FYD0057		RETAINER, VERTICAL, SEAT BELT	3
10	NZ110041		NUT, SELF LOCKING, HEX., M10, ZINC PLATED, FE/ZN, BLACK	68
11	BH110651		BOLT, HEX HD, M10 BY 65 MM LG.	4
12	FYD1525/2		PLATE, REAR SEAT BELT SUPPORT GUSSET, 6 MM ALUMINIUM PLATE, 5083 H116, 176 MM BY 158 MM	1
13	FYD1019/2R		ANGLE, SUPPORT, R.H., FRONT, 76.2 MM BY 50.6 MM BY 6.35 MM, ALUMINIUM, L 6061 T6, 736 MM LG.	1
14	FYD1019/1		CROSSMEMBER, REAR SEAT, 101.6 MM BY 76 MM BY 6.35 MM, ALUMINIUM, "I" BEAM 6061 T6, 1110 MM LG.	2

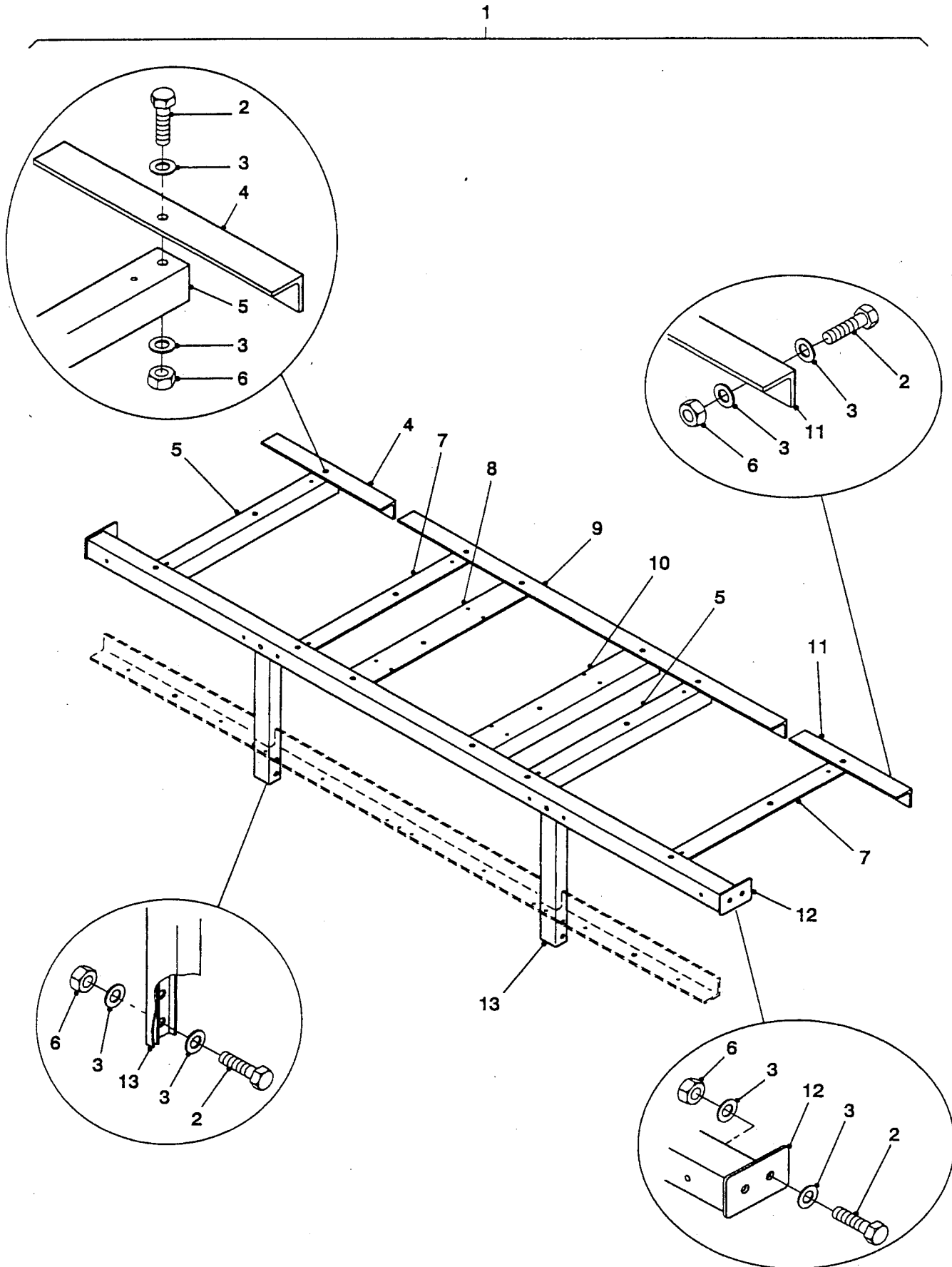


REAR SEAT FRAME ASSEMBLY - CREW

Bush Ranger Land Rover Parts ListDerivative code - INTERIM RPIL02226

WG REAR SEAT FRAME ASSEMBLY - CREW

<u>Item</u>	<u>Part No.</u>	<u>NSN</u>	<u>Description</u>	<u>Quantity</u>
15	FYD1019/5		SUPPORT, REAR SEAT, OUTER EDGE, ALUMINIUM, 6106 T591, HAT SECTION, 63 MM BY 32 MM	2
16	FYD1019/6		SUPPORT, TRANSVERSE, SEAT, ANGLE, 76.2 MM BY 50.6 MM BY 6.35 MM, ALUMINIUM, L 6061 T6, 1110 MM LG.	2
17	FYD1019/3R		SUPPORT, R.H., FRONT, ANGLE, 76.2 MM BY 50.6 MM BY 6.35 MM, ALUMINIUM, L 6061 T6, 821 MM LG.	1
18	FYD1019/3L		ANGLE, SUPPORT, L.H., REAR, 76.2 MM BY 50.6 MM BY 6.35 MM, ALUMINIUM, L 6061 T6, 821 MM LG.	1
19	FYD0067		LEG CASTING, SUPPORT, CROSSMEMBER, CAST ALUMINIUM 401	6
20	FYD1019/2L		ANGLE, SUPPORT, L.H., CENTRE, 76.2 MM BY 50.6 MM BY 6.35 MM, ALUMINIUM, L 6061 T6, 794 MM LG.	1
21	FYD1019/4		ANGLE, REAR SEAR SUPPORT 76.2 MM BY 50.6 MM BY 6.35 MM, ALUMINIUM, "I" BEAM 6061 T6, 1110 MM LG.	2
22	NY108001		NUT, NYLOCK, M8	24
23	WH108001		WASHER, FLAT, M8	48
24	BH108251		BOLT, HEX HD, M8 BY 25 MM LG	24

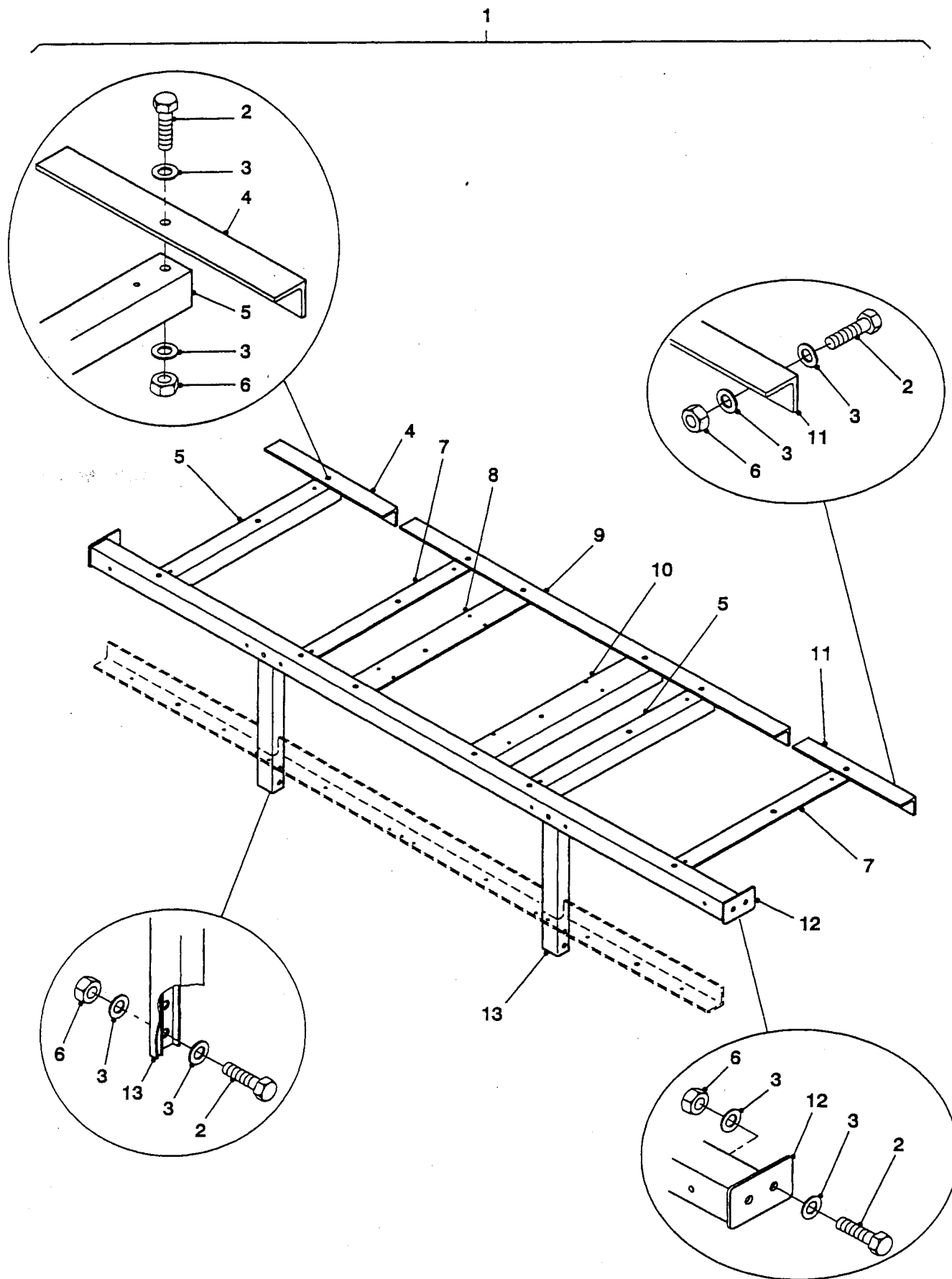


**REAR SEAT FRAME ASSEMBLY
- COMMAND POST**

Bush Ranger Land Rover Parts ListDerivative code - INTERIM RPIL02226

WGA REAR SEAT FRAME ASSEMBLY - COMMAND POST

<u>Item</u>	<u>Part No.</u>	<u>NSN</u>	<u>Description</u>	<u>Quantity</u>
1	FYD1528		SEAT ASSEMBLY, FRONT COMMAND POST	1
2	BH110301		BOLT, HEX HD, M10 BY 30 MM	29
3	WA110001		WASHER, FLAT, M10	74
4	FYD1527/5		ANGLE, SEAT, TRANSVERSE, FRONT WALL NEAR SIDE, ALUMINIUM, 50.8 MM BY 50.8 MM BY 6.35 MM, 340 mm LG., 6061 T6	1
5	FYD1527/2R		ANGLE, SEAT, LONGITUDINAL, RH, ALUMINIUM, 50.8 MM BY 50.8 MM BY 6.35 MM, 587 MM LG., 6061 T6	1
6	NY110001		NUT, NYLOCK, M10	37
7	FYD1527-2L		ANGLE, SEAT, LONGITUDINAL, LH, ALUMINIUM, 50.8 MM BY 50.8 MM BY 6.35 MM, 340 MM LG., 6061 T6	2
8	008-689		ANGLE, SUPPORT, CP RADIO, ALUMINIUM, 76.2 MM BY 50.8 MM BY 6.35 MM, 6061 T6, 587 MM LG.	1
9	FYD1527-4		ANGLE, SEAT, TRANSVERSE, FRONT WALL, MIDDLE, ALUMINIUM, 50.8 MM BY 50.8 MM BY 6.35 MM, 6061 T6, 1214 MM LG.	1
10	008-690		ANGLE, SUPPORT, CP RADIO, ALUMINIUM, 76.2 MM BY 50.8 MM BY 6.35 MM, 6061 T6, 587 MM LG.	1
11	FYD1527-6		ANGLE, SEAT, TRANSVERSE, FRONT WALL OFFSIDE, ALUMINIUM, 50.8 MM BY 50.8 MM BY 6.35 MM, 6061 T6, 390 MM LG.	1
12	FYD1527-1		ANGLE, SEAT, TRANSVERSE, UPPER, ALUMINIUM, 50.8 MM BY 50.8 MM 6.35 MM, 6061 T6, 2061 MM LG.	1



**REAR SEAT FRAME ASSEMBLY
- COMMAND POST**

Bush Ranger Land Rover Parts ListDerivative code - INTERIM RPIL02226

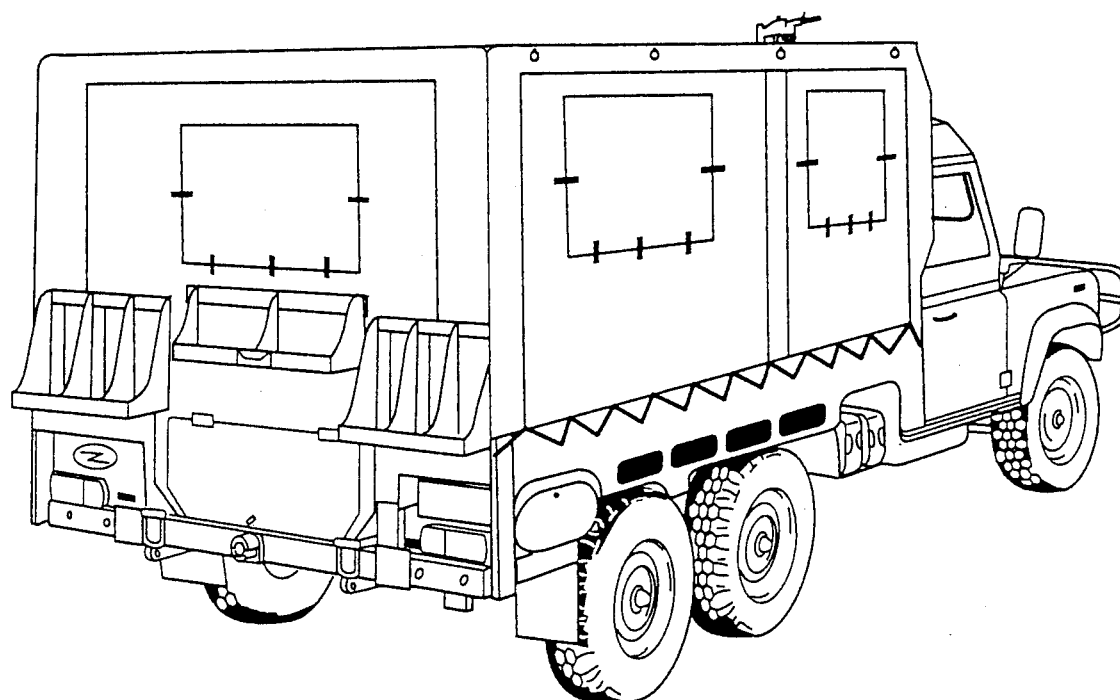
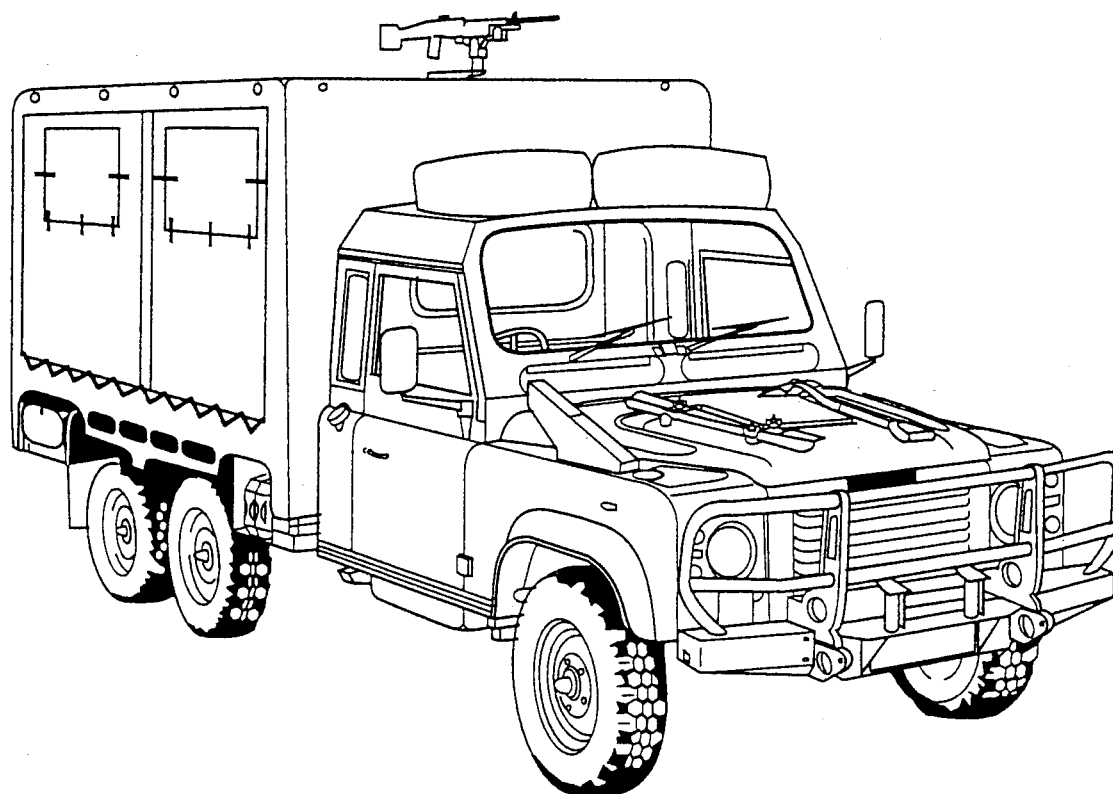
WGA REAR SEAT FRAME ASSEMBLY - COMMAND POST

<u>Item</u>	<u>Part No.</u>	<u>NSN</u>	<u>Description</u>	<u>Quantity</u>
13	FYD1527-3		LEG, SUPPORT, VERTICAL, FRONT SEAT, ALUMINIUM 6061 T6, EXTRUSION T9166, 408 MM LG.	1

INTENTIONALLY

LEFT

BLANK



**TRUCK, INFANTRY CARRIER, LIGHT, FFR,
WINCH, MC2, LAND ROVER 110 6 X 6.**

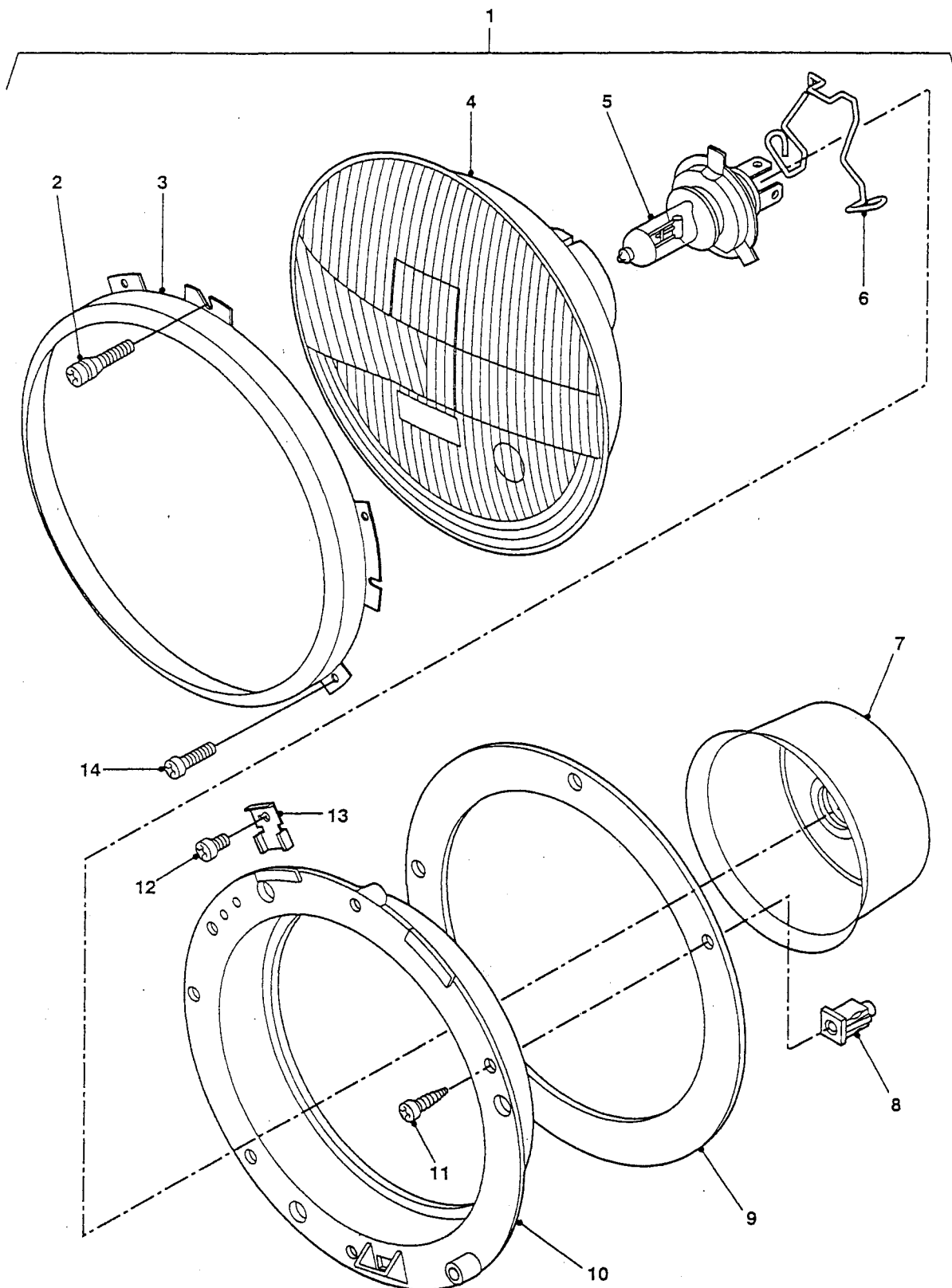
INTENTIONALLY

LEFT

BLANK

Bush Ranger Land Rover Group Index ListDerivative code - INTERIM RPIL02228

<u>Group</u>	<u>Group Description</u>
QJA	HEADLAMP ASSEMBLY
QJC	FRONT PARK AND TURN INDICATOR LAMPS
RH	SPARE TYRE RACK
SLA	REAR SEAT BELTS
SR	CANOPY
SS	REAR SEAT ASSEMBLY
W	MODULE ASSEMBLY - INFANTRY
WA	FRAME AND FLOOR
WB	ROOF ASSEMBLY
WC	ROLL OVER PROTECTION
WD	FRONT PLATFORM AND STOWAGE LOCKERS
WE	INTERIOR FITTINGS - MODULE
WF	EXTERIOR FITTINGS - MODULE
WG	REAR SEAT FRAME ASSEMBLY
WH	GUN MOUNT AND RING ASSEMBLY

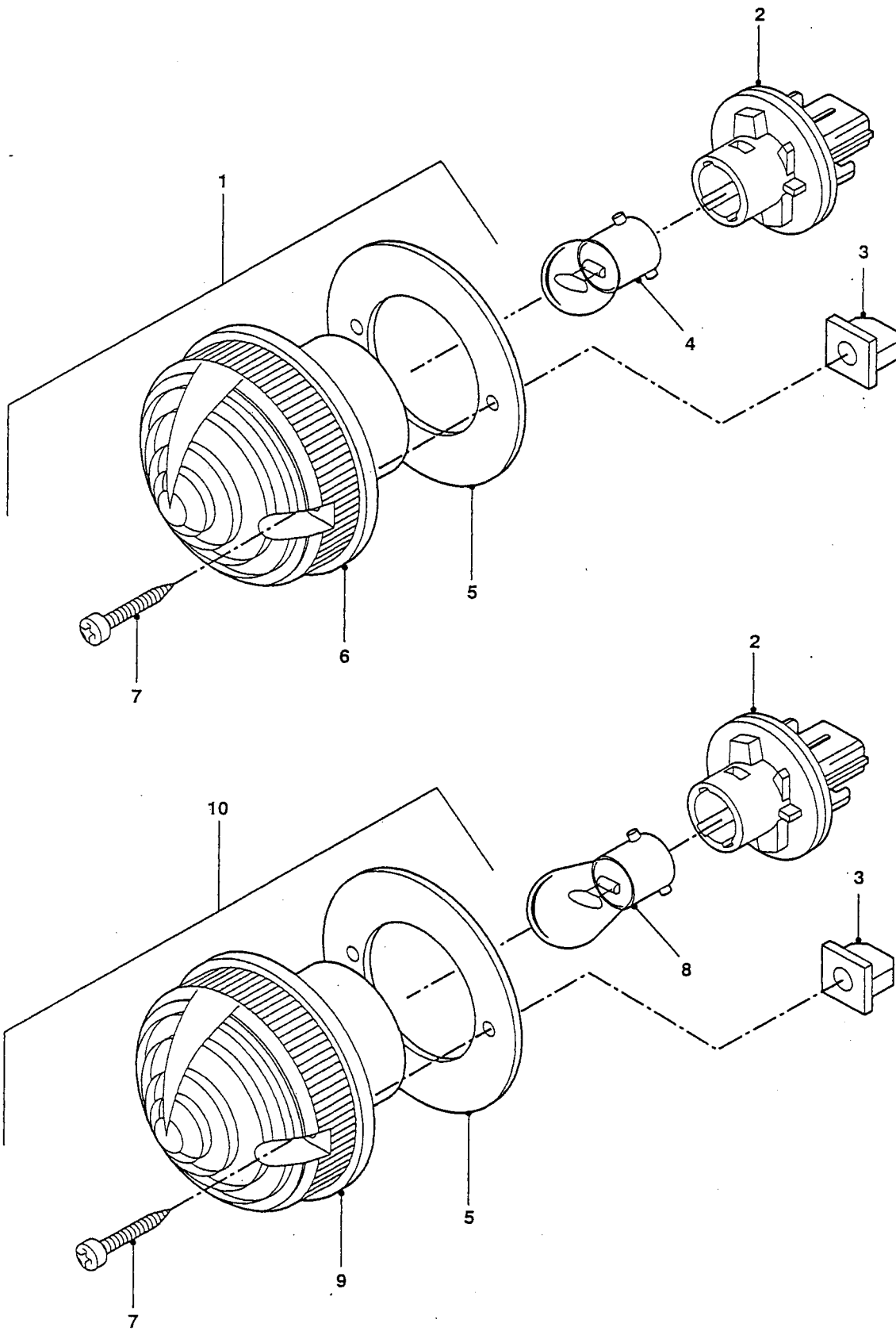


HEADLAMP ASSEMBLY

Bush Ranger Land Rover Parts ListDerivative code - INTERIM RPIL02228

QJA HEADLAMP ASSEMBLY

<u>Item</u>	<u>Part No.</u>	<u>NSN</u>	<u>Description</u>	<u>Quantity</u>
1	AMR2344		HEADLAMP ASSEMBLY	2
2	NSS		SCREW, ADJUSTING & FIXING LIGHT UNIT TO BODY.	4
3	STC1485		BEZEL, HEADLAMP, BLACK.	2
4	STC1209		UNIT, LIGHT.	2
5	R589783	6240-66-108-4835	GLOBE, HEADLAMP H4, 60/55 WATT, QUARTZ HALOGEN.	2
6	STC1851		CLIP, SECURING, GLOBE TO LIGHT UNIT.	2
7	STC951		COVER, INSULATION, HEADLAMP GLOBE.	2
8	R79501		NUT, LOKUT, SPECIAL PLASTIC, No. 8 DRIVE SCREW.	8
9	STC1612		GASKET, HEADLAMP BODY.	2
10	STC1613		BODY, HEADLAMP	2
11	AB608047L		SCREW, TAPPING, THREAD FORMING, STEEL PAN HD, RECESSED, No. 8 X 1/2 IN.	8
12	NSS		SCREW, FIXING, LIGHT UNIT TO BODY.	2
13	NSS		CLIP, FIXING, LIGHT UNIT TO BODY.	6
14	NSS		SCREW, FIXING, BEZEL TO BODY.	6
9001	STC1614		KIT, FIXINGS.	2

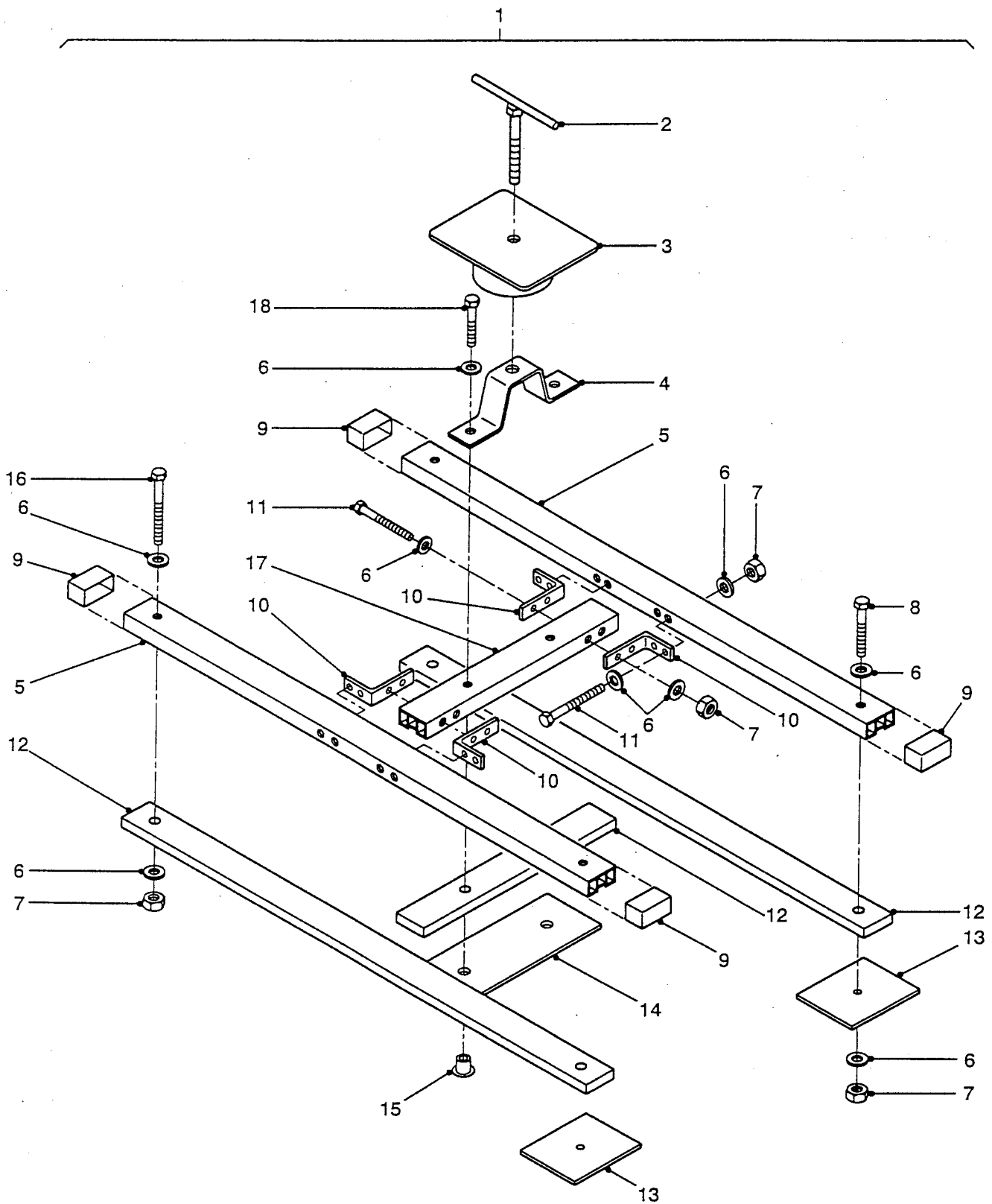


**FRONT PARK AND TURN
INDICATOR LAMPS**

Bush Ranger Land Rover Parts ListDerivative code - INTERIM RPIL02228

QJC FRONT PARK AND TURN INDICATOR LAMPS

<u>Item</u>	<u>Part No.</u>	<u>NSN</u>	<u>Description</u>	<u>Quantity</u>
1	STC1227		LENS AND BODY ASSY, FRONT PARK LAMP	2
2	XBP100180		GLOBE HOLDER	4
3	RTC3745		LOCKUT	8
4	R10211		GLOBE, SINGLE FILAMENT, 12V, 6W	2
5	NSS		GASKET, LENS AND BODY ASSY.	4
6	NSS		LENS AND BODY, FRONT PARK LAMP	2
7	NSS		SCREW, LENS AND BODY	8
8	R264591		GLOBE, SINGLE FILAMENT, 12V, 21W	2
9	NSS		LENS AND BODY, FRONT INDICATOR	2
10	STC1228		LENS AND BODY ASSY, FRONT INDICATOR	2

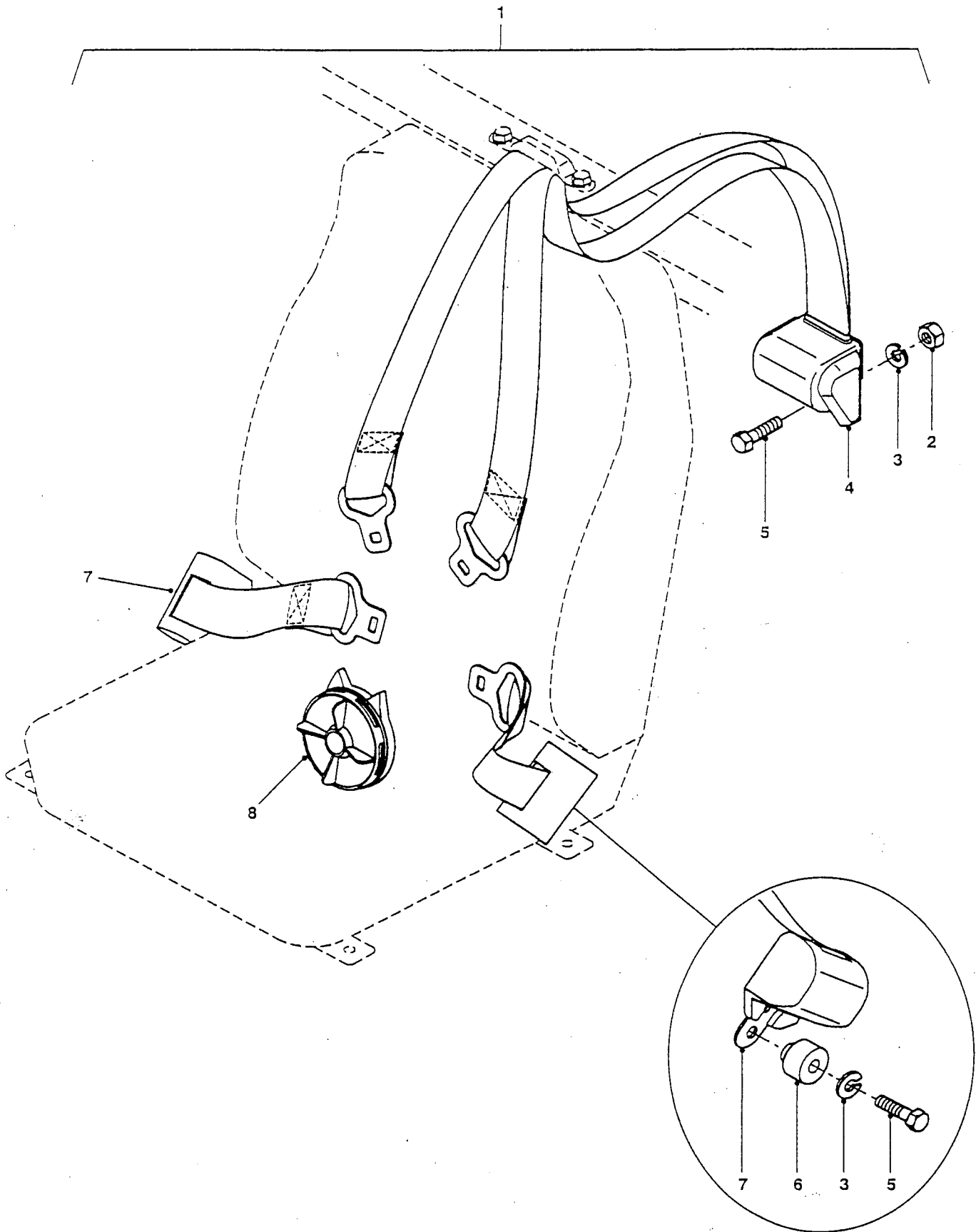


SPARE TYRE RACK

Bush Ranger Land Rover Parts ListDerivative code - INTERIM RPIL02228

RH SPARE TYRE RACK

<u>Item</u>	<u>Part No.</u>	<u>NSN</u>	<u>Description</u>	<u>Quantity</u>
1			SPARE WHEEL CARRIER ASSEMBLY	2
2	FYD0073/5	5306-66-142-8885	TEE BOLT	1
3	FYD0073/4	2590-66-142-8881	CLAMP, SPARE WHEEL RETAINING	1
4	FYD0073/3		BRACKET, SPARE WHEEL RETAINING	1
5	FYD0073/1		RAIL, LONGITUDINAL	2
6	WA108054		WASHER, FLAT, M8	34
7	NZ108044		NUT, SELF LOCKING, M8	12
8	BH108121		BOLT, HEX. HD., M8 BY 60 MM LG.	2
9	HYM948		END CAP, PLASTIC, 750 SEMI RIGID PLASTICISED PVC, 89 DURO, BLACK.	4
10	FYD0073/6		BRACKET, RETAINING	4
11	BH108151		BOLT, HEX. HD., M8 BY 75 MM LG.	12
12	FYD0073/7		MOUNT, RUBBER, KIT	1
13	FYD0073/8		SPACER, PLATE	2
14	FYD0073/9		SPACER PLATE, CENTRE	1
15	FYD0747		NUT, SOCKET, M8	2
16	BH108171		BOLT, HEX. HD., M8 BY 85 MM LG.	2
17	FYD0073/2		RAIL, TRANSVERSE	1
18	BH10810		BOLT, HEX. HD., M8 BY 50 MM LG.	2

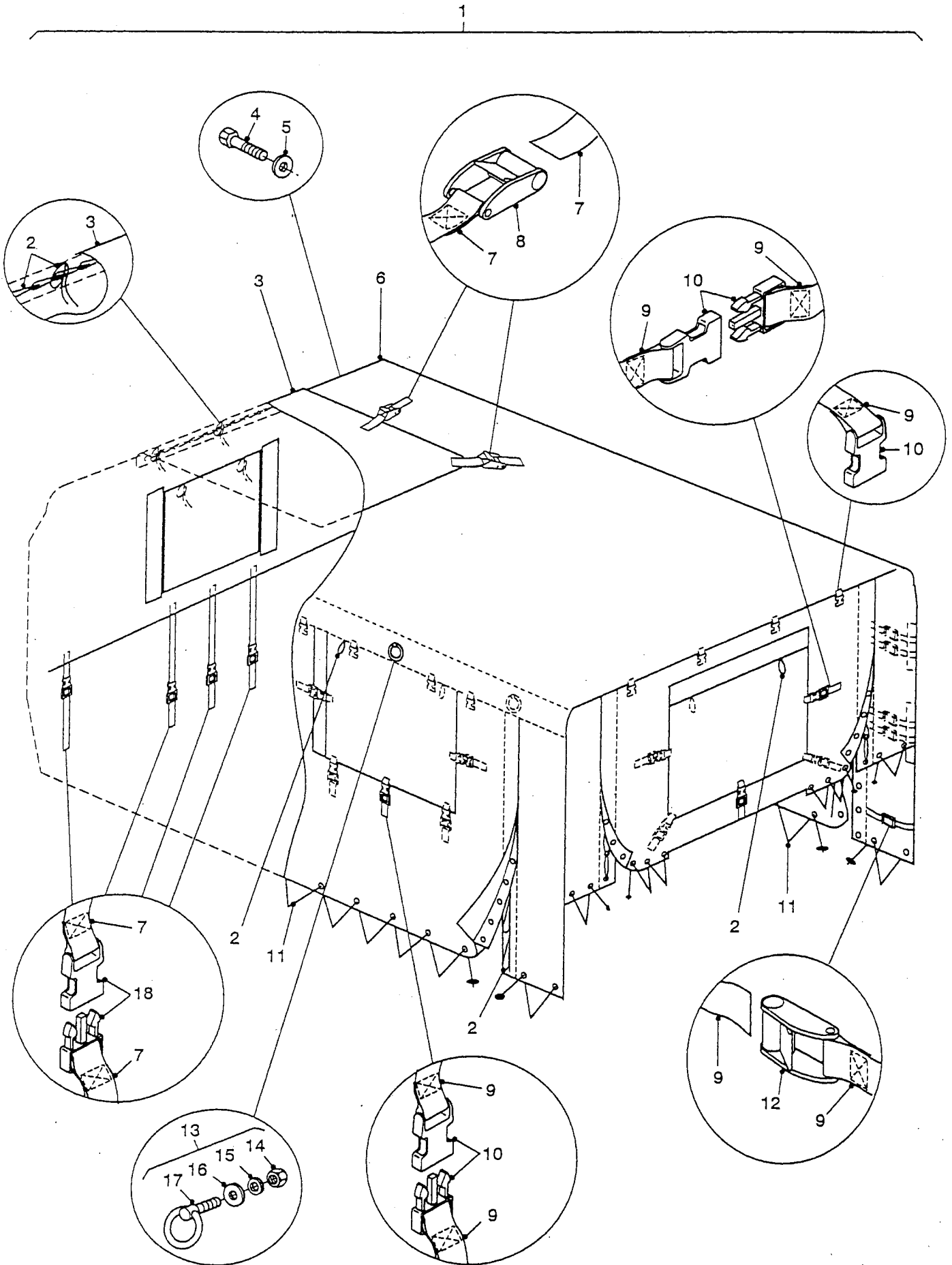


REAR SEAT BELTS

Bush Ranger Land Rover Parts ListDerivative code - INTERIM RPIL02228

SLA REAR SEAT BELTS

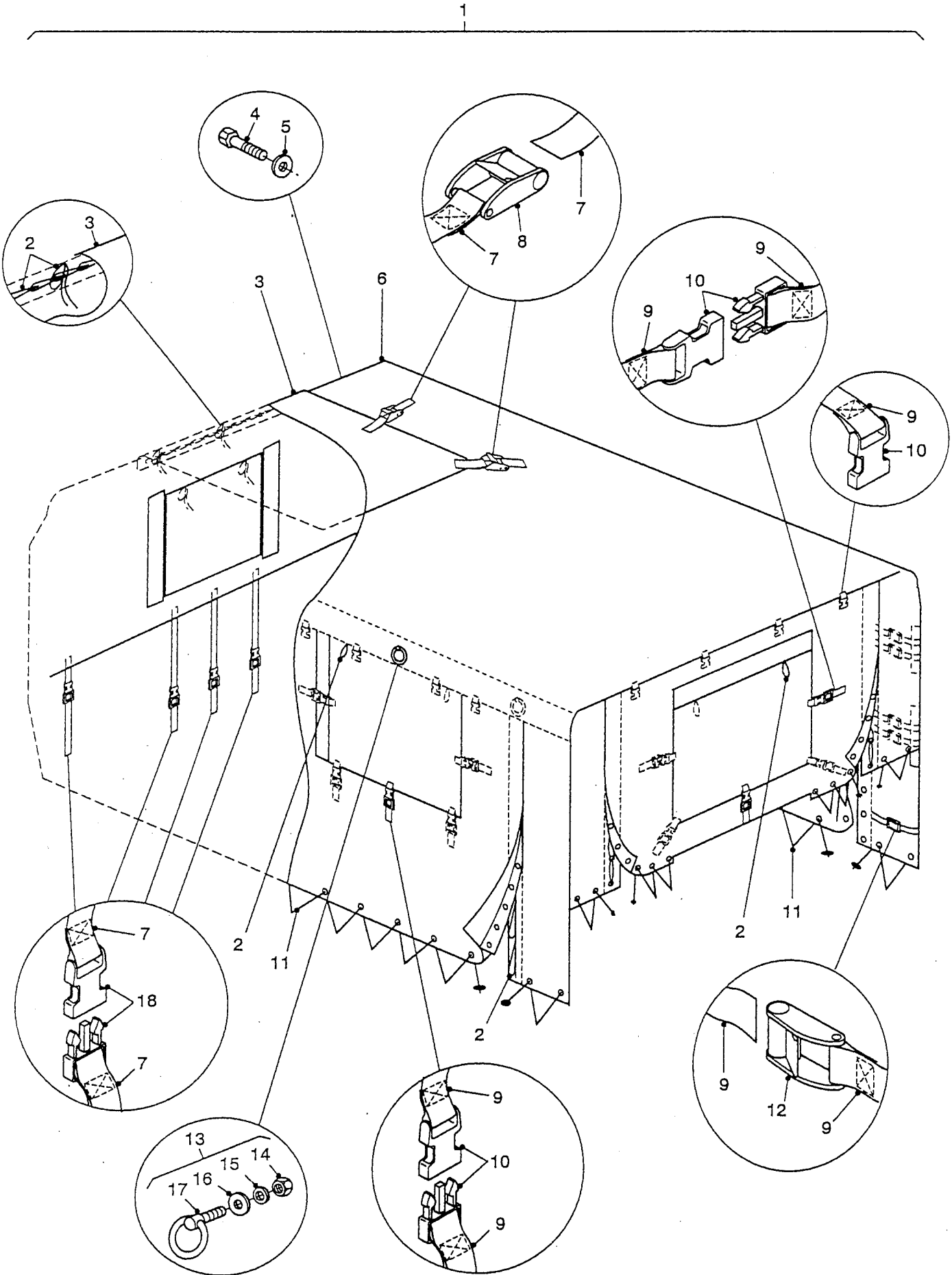
<u>Item</u>	<u>Part No.</u>	<u>NSN</u>	<u>Description</u>	<u>Quantity</u>
1	HYG7604		RESTRAINT SYSTEM, RETRACTABLE, FULL HARNESS, FIXED ANCHOR	8
2	HYG7608		NUT, PLAIN	8
3	HYG7607	5310-99-138-9228	WASHER, LOCK	24
4	HYG7605	2540-66-139-2034	HARNESS ASSEMBLY, REEL AND SHIELD	8
5	HYG7606		BOLT, HEX. HD., 7/16 IN., 20 BY 1 IN. LG., GRADE 8	24
6	HYG7609		BUSHING, RETRACTOR	16
7	HYG7610		LAP BELT ASSY.	16
8	HYG7611		BUCKLE	8



CANOPY - 111P

Bush Ranger Land Rover Parts ListDerivative code - INTERIM RPIL02228

SR	CANOPY			Quantity
<u>Item</u>	<u>Part No.</u>	<u>NSN</u>	<u>Description</u>	<u>Quantity</u>
1	GYD516	2540-66-139-2033	CANOPY ASSEMBLY, INFANTRY	1
2	NSS		CORD, DBG DIY DIA. 4 MM POLY ROPE KINNEARS	1
3	GYD517		COVER, GUNRING ASSEMBLY, BRADMILL STYLE 32 234 183, KORDUX WAR & DEF FINISH AS3567	1
4	SH110304		BOLT, HEX HEAD, STEEL, 8 MM, ISO, 36 MM LG.	4
5	WA110061L		WASHER, FLAT, STEEL, 10 MM I.D. HOLE	4
6	NSS		CANOPY, BRADMILL STYLE 32 234 183, KORDUX WAR & DEF FINISH AS3567	1
	NSS		VELCRO TOUCHFAST HOOK, BLACK, 50 MM, 25 MR. ROLL	1
	NSS		ZIP, BLACK, NO. 10 SPIRAL, YKK, 100 MR. ROLL	2
7	NSS		WEBBING, BLACK, 25 MM W., 40 MR. ROLL	1
8	NSS		CAM, BUCKLE	4
9	NSS		WEBBING, DRAB OLIVE, 25 MM W., 40 MR. ROLL	1
10	HYM949		SIDE RELEASE, DRAB OLIVE	53
11	NSS		SHOCK CORD, 6 MM DIA., SOLID BLACK, 100 MR. ROLL	1
12	HYM950		CAMLOCK, PLASTIC	6
13	GYD515		RING BOLT ASSEMBLY	8
14	NZ304041		NUT, SELF LOCKING, HEX., 1/4 IN., BSW, ZINC PLATED, BLACK	10
15	WA106044		WASHER, FLAT, 1/4 IN., ZINC PLATED, BLACK	10

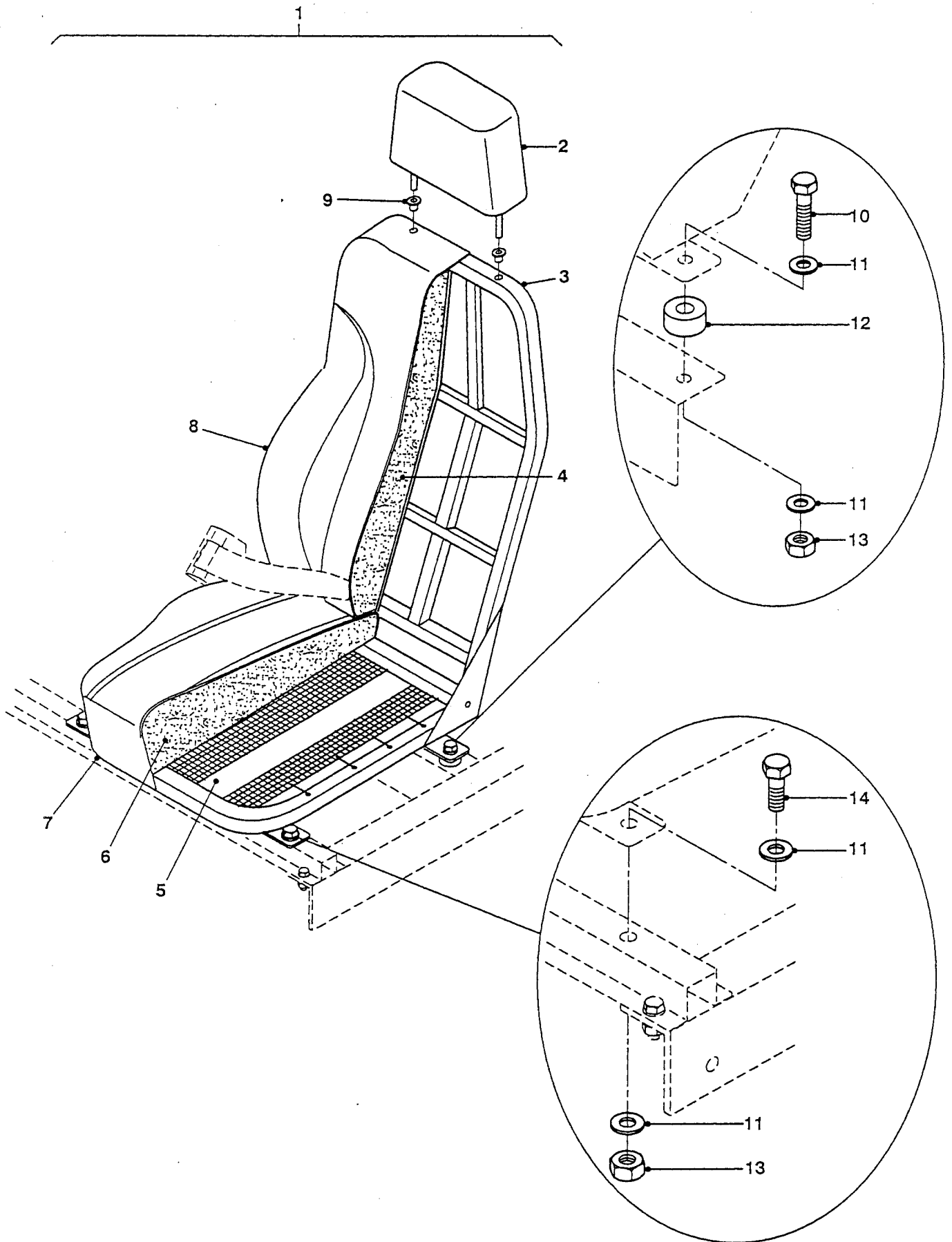


CANOPY

Bush Ranger Land Rover Parts ListDerivative code - INTERIM RPIL02228

SR CANOPY

<u>Item</u>	<u>Part No.</u>	<u>NSN</u>	<u>Description</u>	<u>Quantity</u>
16	WJ600041L		WASHER, FLAT, 22.2 MM O.D. BY 6.8 MM I.D., ZINC PLATED, BLACK	10
17	GYD514		RINGBOLT, 35 MM O.D., 25 MM I.D., BOLT 21 MM LG., BLACK OXIDE COATING	1
18	HYM951		SIDE RELEASE, BLACK	5

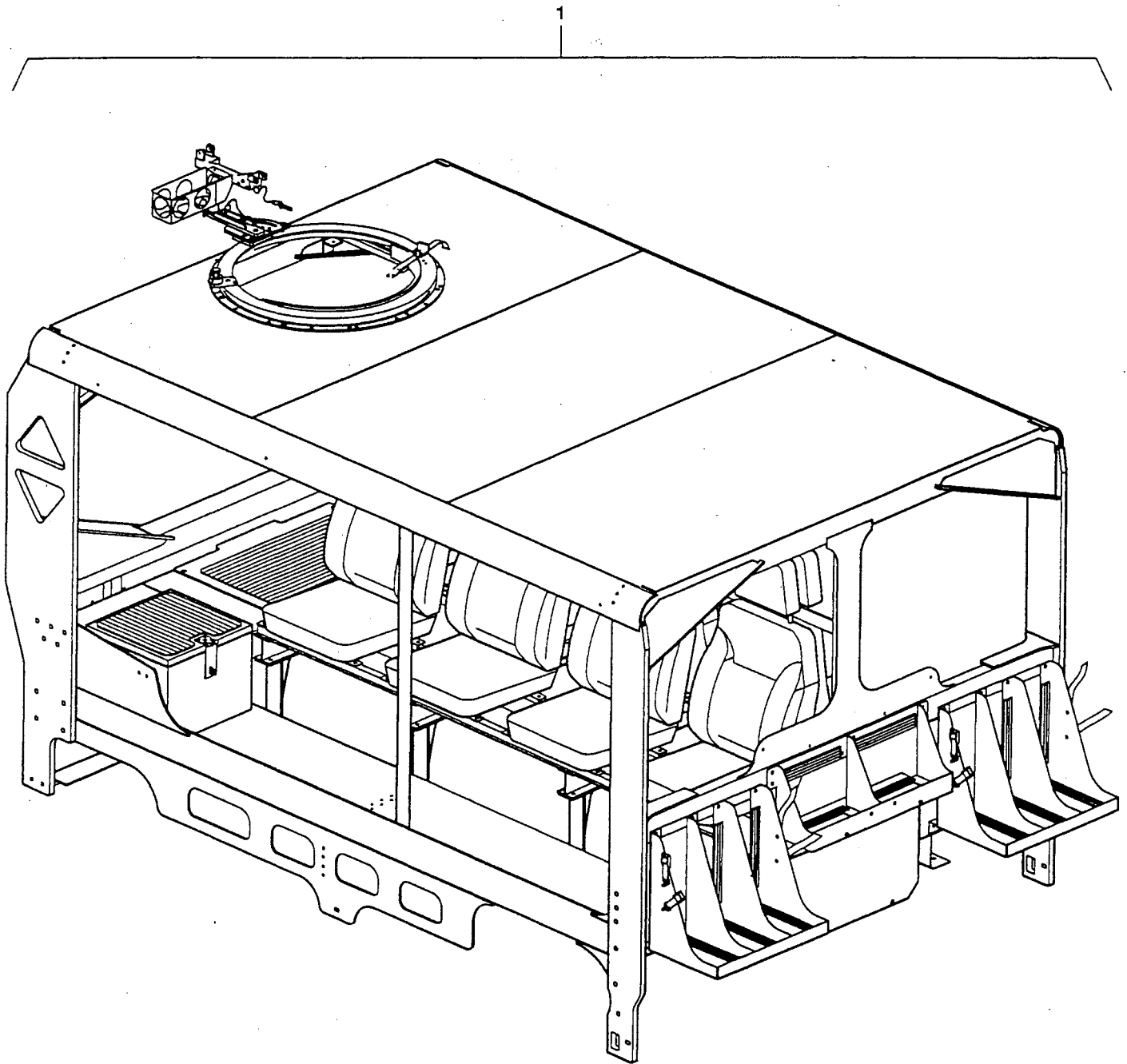


REAR SEAT ASSEMBLY

Bush Ranger Land Rover Parts ListDerivative code - INTERIM RPIL02228

SS REAR SEAT ASSEMBLY

<u>Item</u>	<u>Part No.</u>	<u>NSN</u>	<u>Description</u>	<u>Quantity</u>
1	HYM891		SEAT ASSEMBLY, PASSENGER, SIDE, REAR	8
	BYG8019	2540-66-142-8882	COVER, PROTECTIVE, SEAT BACK	8
	BYG8023	2540-66-142-8883	COVER, PROTECTIVE, SEAT SQUAB	8
2	HYM870		HEAD REST, SEAT, 290 MM LG. BY 175 MM BY 65 MM THK., WITH 2 GUIDE RAILS, 8 MM DIA.	1
3	NSS		FRAME, SEAT BACK, STEEL	1
4	NSS		FOAM, SEAT, SQUAB	1
5	NSS		WEBBING, SEAT BASE	1
6	NSS		FOAM, SEAT, BASE	1
7	HYM959		COVER, SEAT, BASE	1
8	HYM960		COVER, SEAT, SQUAB	1
9	HYM871		BUSH, HEADREST TRIM, 25 MM FLANGE DIA., 10 MM I.D. HOLE	2
10	BH110091L		BOLT, HEX HD., M10 BY 45 MM LG., ZINC PLATED, FE/ZN, BLACK	16
11	WA110061L		WASHER, FLAT, M10, ZINC PLATED, FE/ZN, BLACK	64
12	FYD0045		SPACER, SEAT, POLYURETHANE	16
13	NY110041L		NUT, SELF LOCKING, HEX., M10, ZINC PLATED, FE/ZN, BLACK	64
14	SH110301L		BOLT, HEX. HD., M10 BY 30 MM LG., ZINC PLATED, FE/ZN, BLACK	16

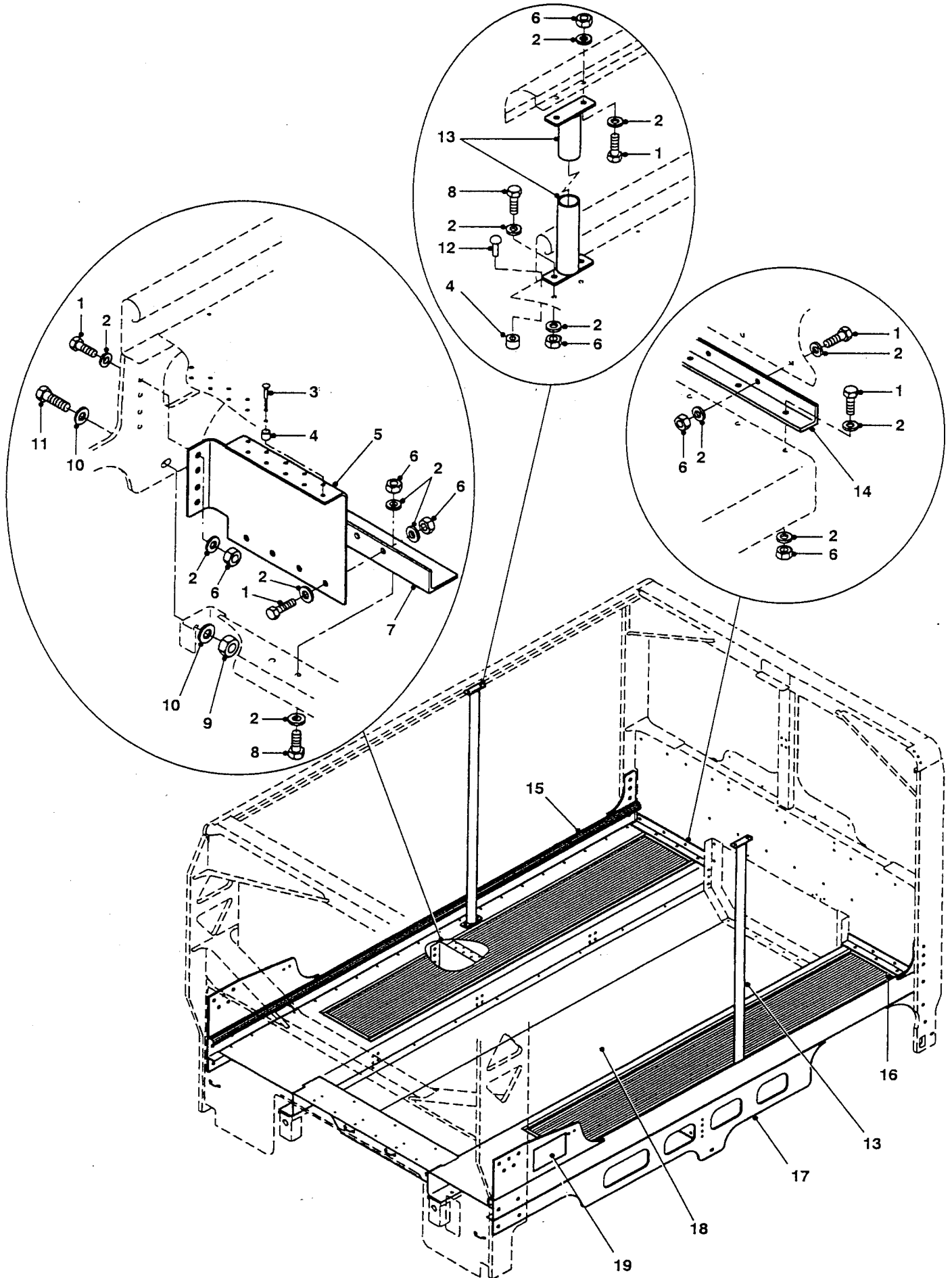


MODULE ASSEMBLY - INFANTRY

Bush Ranger Land Rover Parts ListDerivative code - INTERIM RPIL02228

W MODULE ASSEMBLY - INFANTRY

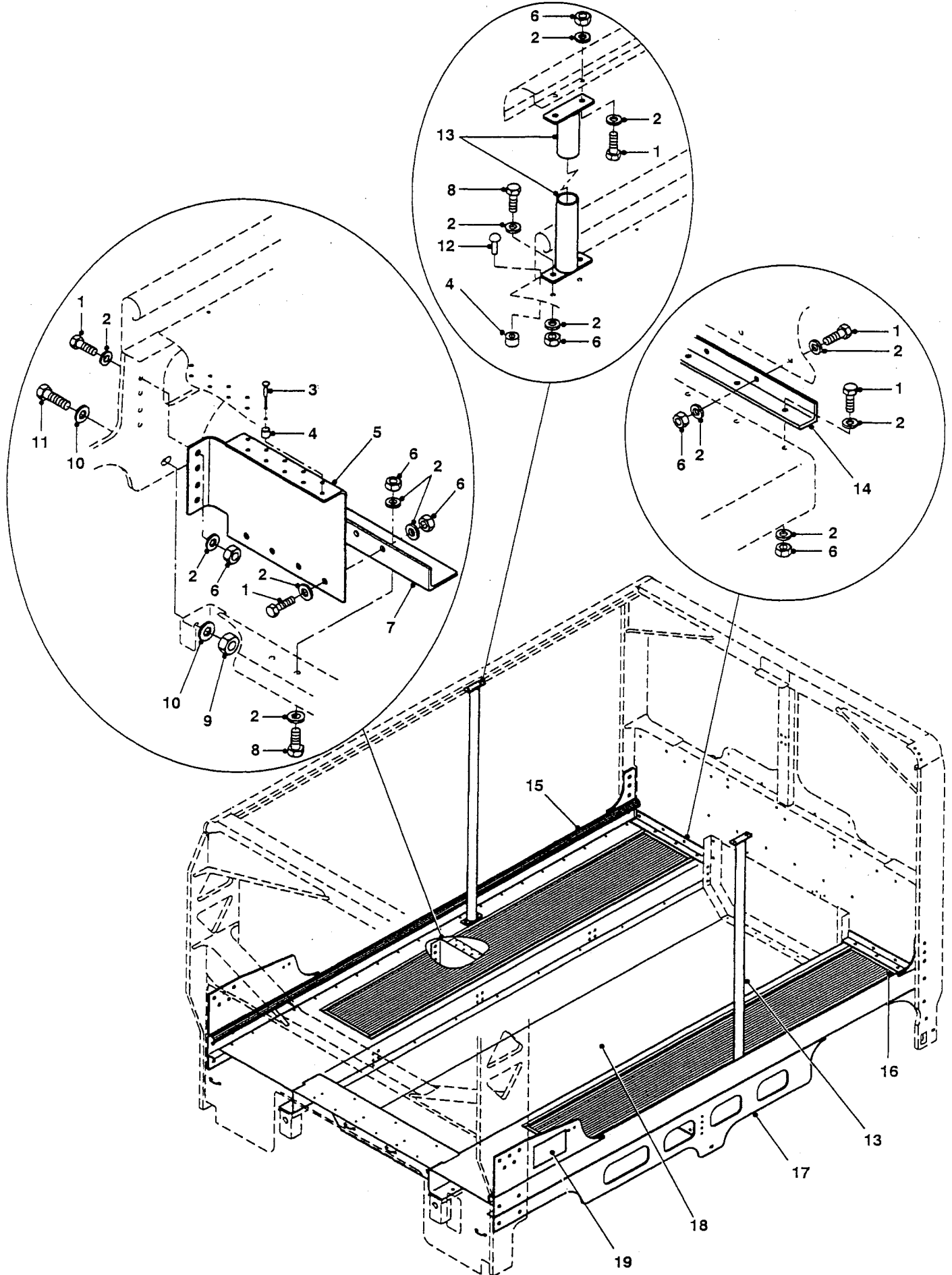
<u>Item</u>	<u>Part No.</u>	<u>NSN</u>	<u>Description</u>	<u>Quantity</u>
1			MODULE ASSEMBLY, INFANTRY, COMPLETE	1



FRAME AND FLOOR

Bush Ranger Land Rover Parts ListDerivative code - INTERIM RPIL02228

Item	Part No.	NSN	Description	Quantity
1	BH110064		BOLT, HEX. HD., M10 BY 30 MM LG., ZINC PLATED, BLACK	32
2	WA110064		WASHER, FLAT, STEEL, M10, ZINC PLATED, BLACK	80
3			RIVET, FLUSH HD., 1/4 IN. BY 0.810 IN. LG., STEEL, ZINC PLATED	20
4			COLLAR, FULL, AVDELOK, 1/4 IN., STEEL, ZINC PLATED	104
5	FYD0082/1L		GUSSET, UNDER FLOOR, 3.5 MM, ALUMINIUM PLATE, 5083 H321, LEFT	2
	FYD0082/1R		GUSSET, UNDER FLOOR, 3.5 MM, ALUMINIUM PLATE, 5083 H321, RIGHT	1
6	NZ110044		NUT, SELF LOCKING, HEX., M10, ZINC PLATED, BLACK	40
7	FYD1013/2		ANGLE, INTERMEDIATE UNDER FLOOR PLATE TO CHASSIS, 76.2 MM BY 50.8 MM BY 6.35 MM, ALUMINIUM L 6061 T6, 433 MM LG., RIGHT	2
8	SH110251L		BOLT, HEX. HD., M10 BY 25 MM, ZINC PLATED, BLACK	8
9	NY110041L	5310-99-122-5498	NUT, NYLOC, M10	14
10	WA110061L		WASHER, FLAT, STEEL, M12, ZINC PLATED, BLACK	4
11	BH112081		BOLT, HEX. HD., M12 BY 40 MM LG., ZINC PLATED, BLACK	2
12			RIVET, BRAZIER HD., 1/4 IN. BY 0.312 IN. LG., STEEL, ZINC PLATED	84
13	FYD0070		GRAB HANDLE ASSEMBLY, DIA. 48.4 MM BY 4.47 MM THK. WALL, ALUMINIUM TUBE, 6061 T6 WITH 6 MM PLATE, 5083 H116 WELDED TO EACH END	2

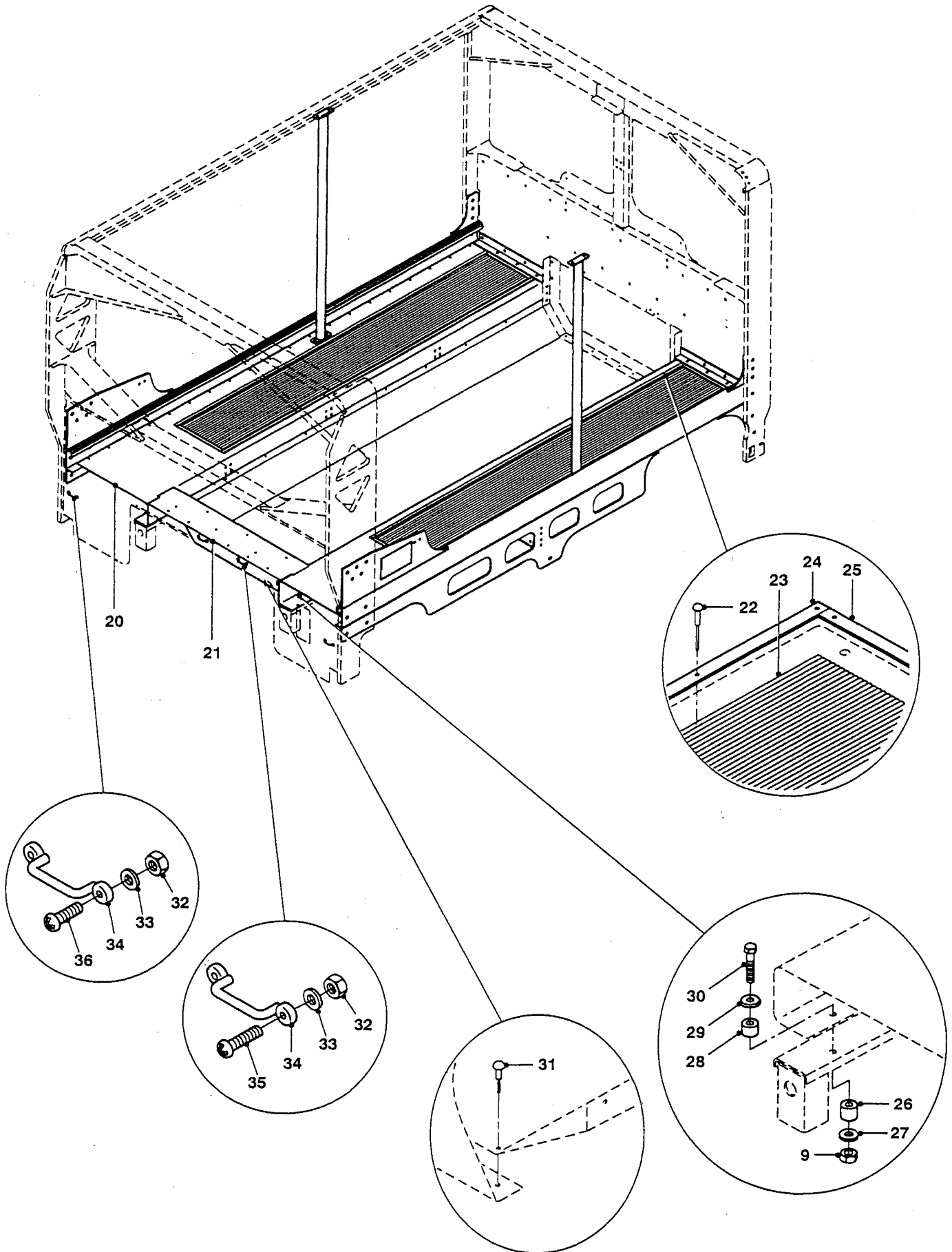


FRAME AND FLOOR

Bush Ranger Land Rover Parts ListDerivative code - INTERIM RPIL02228

WA FRAME AND FLOOR

<u>Item</u>	<u>Part No.</u>	<u>NSN</u>	<u>Description</u>	<u>Quantity</u>
14	FYD1013/5R		ANGLE, FLOOR TO REAR ROPS, 50.8 MM BY 50.8 MM BY 6.35 MM, ALUMINIUM, L 5061 T6, 536 MM LG., RIGHT	1
15	FYD1010/9L		SIDE UNDERRUN ASSEMBLY, LEFT	1
16	FYD1013/5L		ANGLE, FLOOR TO REAR ROPS, 50.8 MM BY 50.8 MM BY 6.35 MM, ALUMINIUM, L 6061 T6, 536 MM LG., LEFT	1
17	FYD1010/9R		SIDE UNDERRUN ASSEMBLY, RIGHT	1
18	FYD0081/1		PRESSING, BELLY, 1.6 MM, ALUMINIUM, 5251 H34, 2770 MM LG.	1
19	GYD509		DECAL, CAMNET	2
20	FYD0080/1R		PRESSING, FLOOR, 3.5 MM, ALUMINIUM, 5083 H321, 3000 MM LG., RIGHT	1
	FYD0080/1L		PRESSING, FLOOR, 3.5 MM, ALUMINIUM, 5083 H321, 3000 MM LG., LEFT	1
21	FYD1914		PRESSING, BELLY END, 2 MM, ALUMINIUM SHEET, 5251 H34	1
22	RA612533		RIVET, 3/16 IN. BY 3/4 IN. LG.	64
23	NSS		MATTING, RUBBER, PEAK RIBBED, 2330 MM BY 420 MM BY 3 MM - 60 DURO,Q BLACK	2
	NSS	8040-99-220-2553	BOSTIK 2402	1
	NSS	5070-66-132-1327	BOSTIK 9101	150
	NSS	8040-66-131-2610	BOSTIK 9913	1
	NSS		MATTING, RUBBER, PEAK RIBBED, BLACK, 3 MM BY 1200 MM BY 10 MR. LG.	1

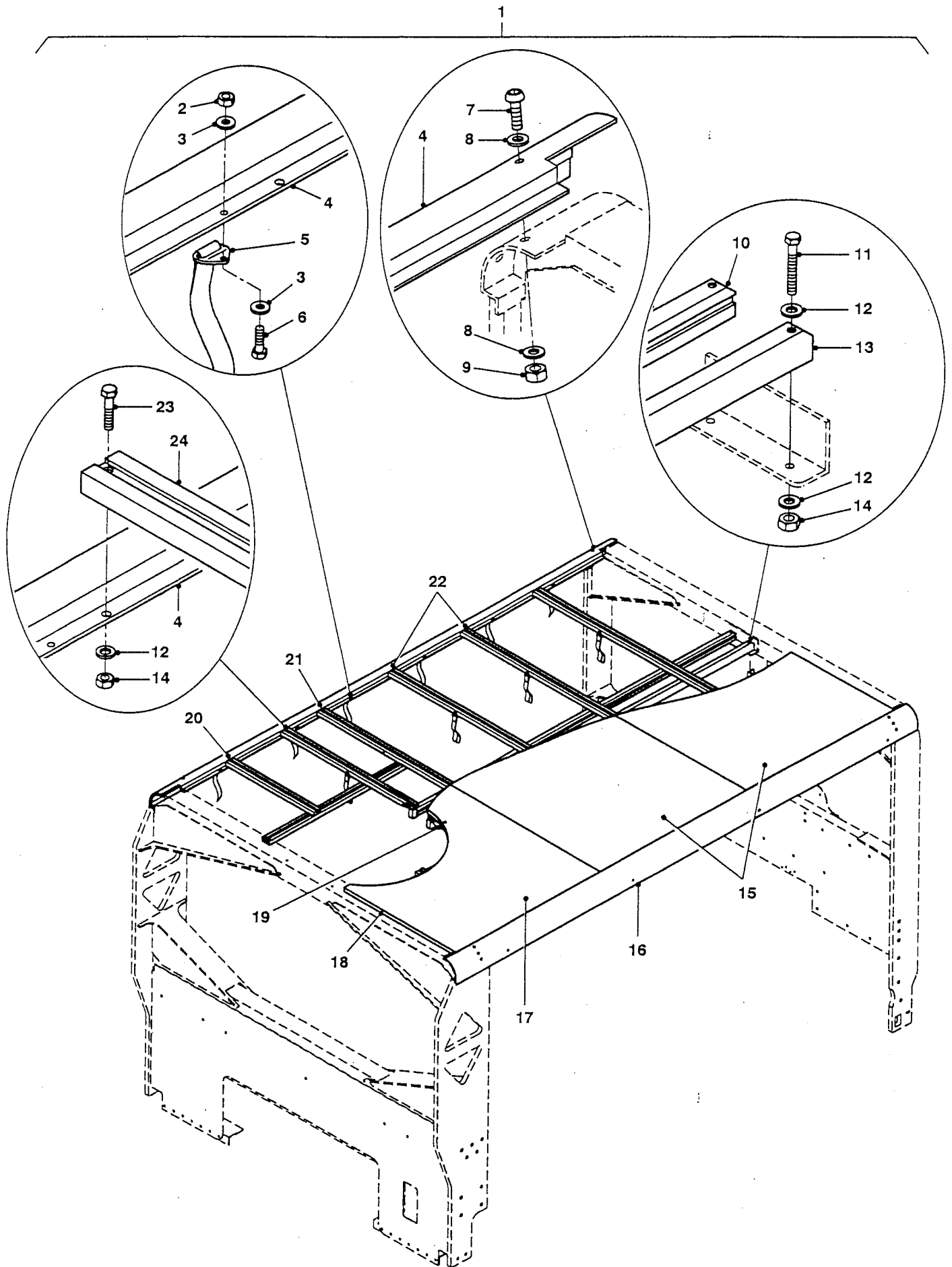


FRAME AND FLOOR

Bush Ranger Land Rover Parts ListDerivative code - INTERIM RPIL02228

WA FRAME AND FLOOR

<u>Item</u>	<u>Part No.</u>	<u>NSN</u>	<u>Description</u>	<u>Quantity</u>
24	NSS		STRIP, TRIM, TABLE EDGE EXTRUSION, ALUMINIUM ALLOY, 8060 T1, 2330 MM LG.	8
25	NSS		STRIP, TRIM, TABLE EDGE EXTRUSION, ALUMINIUM ALLOY, 8060 T1, 420 MM LG.	4
	NSS		STRIP, TRIM, TABLE EDGE EXTRUSION, ALUMINIUM ALLOY, 8060 T1	1
26	MYH3705		MOUNT RESILIENT, 13 MM BY 30 MM BY 23 MM, POLYURETHANE, LOWER	12
27	WJ112007	5310-66-128-5548	WASHER, FLAT, 12 MM I.D.	24
28	MYH3701		MOUNT RESILIENT, 13 MM BY 30 MM BY 15 MM, POLYURETHANE, UPPER	12
	MYH3705		MOUNT, RESILIENT, POLYURETHANE, LOWER, 23 MM BY 32 MM, 13 MM I.D.	12
29	MYH3703		WASHER CUPPED, 40 MM BY 12.5 MM	24
30	BH112131		BOLT, HEX. HD., M12 BY 65 MM LG., ZINC PLATED	12
31	HYL8931	5306-66-128-5498	MONOBOLT	52
32	NY105041L	5310-99-122-5494	NUT, NYLOC, M5	10
33	WA105001L	5310-99-122-6474	WASHER, FLAT, 5 MM I.D.	10
34			BREECHING STAPLE	5
35	SE105161L		SCREW, PAN HD., M5 BY 0.8 MM BY 16 MM LG.	6
36	SE105201L		SCREW PAN HD., M5 BY 0.8 MM BY 20 MM LG., ZINC PLATED	4

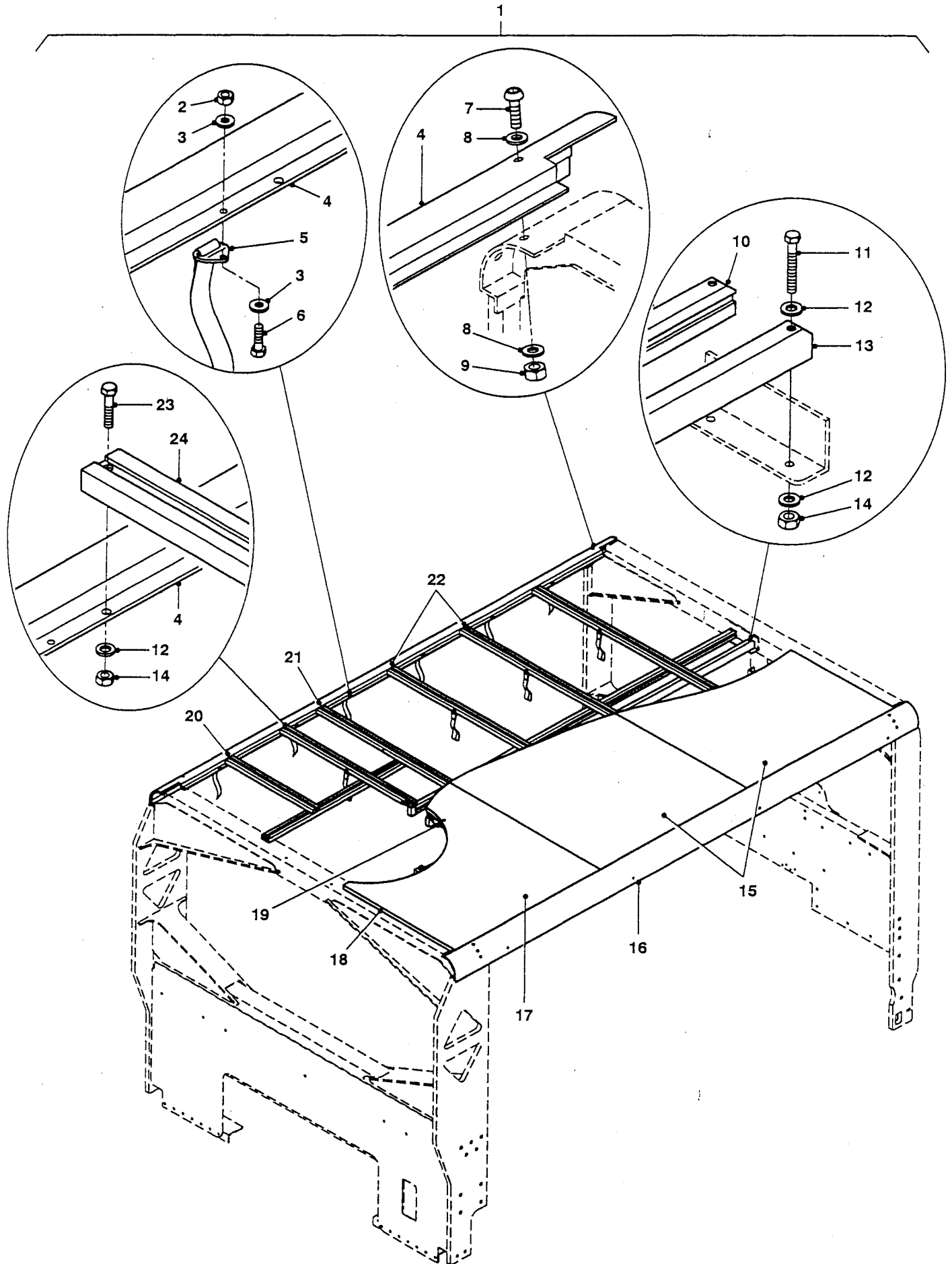


ROOF ASSEMBLY

Bush Ranger Land Rover Parts ListDerivative code - INTERIM RPIL02228

WB ROOF ASSEMBLY

<u>Item</u>	<u>Part No.</u>	<u>NSN</u>	<u>Description</u>	<u>Quantity</u>
1	FYD1916		ROOF ASSEMBLY	1
2	NZ106044		NUT, SELF LOCKING, HEX., M6, ZINC PLATED, BLACK	20
3	WA106045		WASHER, FLAT, STEEL, M6, ZINC PLATED, BLACK	40
4	FYD1922/8R		CANT RAIL, ALUMINIUM EXTRUSION, U9756R, 6351 T5, 3158 MM LG., RIGHT	1
5	FYD1041		STRAP, CANOPY, SIDE TIE-UP	12
	FYD1041/1		STRAP, RETAINING, NYLON WEBBING, 25 MM BY 470 MM	1
	NSS		BUCKLE, RETAINING END, 3 MM, M.S. COATED	1
	NSS		CLIP, MALE, 3 PRONG, PLASTIC, OLIVE DRAB	1
6	BH106055L		BOLT, HEX. HD., M6 BY 25 MM LG., ZINC PLATED, BLACK	12
7	SB110355		SCREW, BUTTON HEAD, M10 BY 35 MM LG., ZINC PLATED, BLACK	12
8	WA110064		WASHER, FLAT, STEEL, M10, ZINC PLATED, BLACK	12
9	NZ110044		NUT, SELF LOCKING, HEX., M10, ZINC PLATED, BLACK	12
10	FYD1922/5R		BOW, ROOF, LONGITUDINAL, ALUMINIUM EXTRUSION, P1040R, 6061 T6, 2238 MM LG., RIGHT	1
	BH108141L		BOLT, HEX HD., M8 BY 70 MM LG., ZINC PLATED, BLACK	2
11	BH108171		BOLT, HEX. HD., M8 BY 85 MM LG., ZINC PLATED, BLACK	10
	FYD1042		PROTECTOR, THREAD, ROOF LONGITUDINAL BOLT, 9 MM O.D., 3 MM I.D., 15 MM LG., TUBE, AIR LINE, RUBBER, BLACK	10

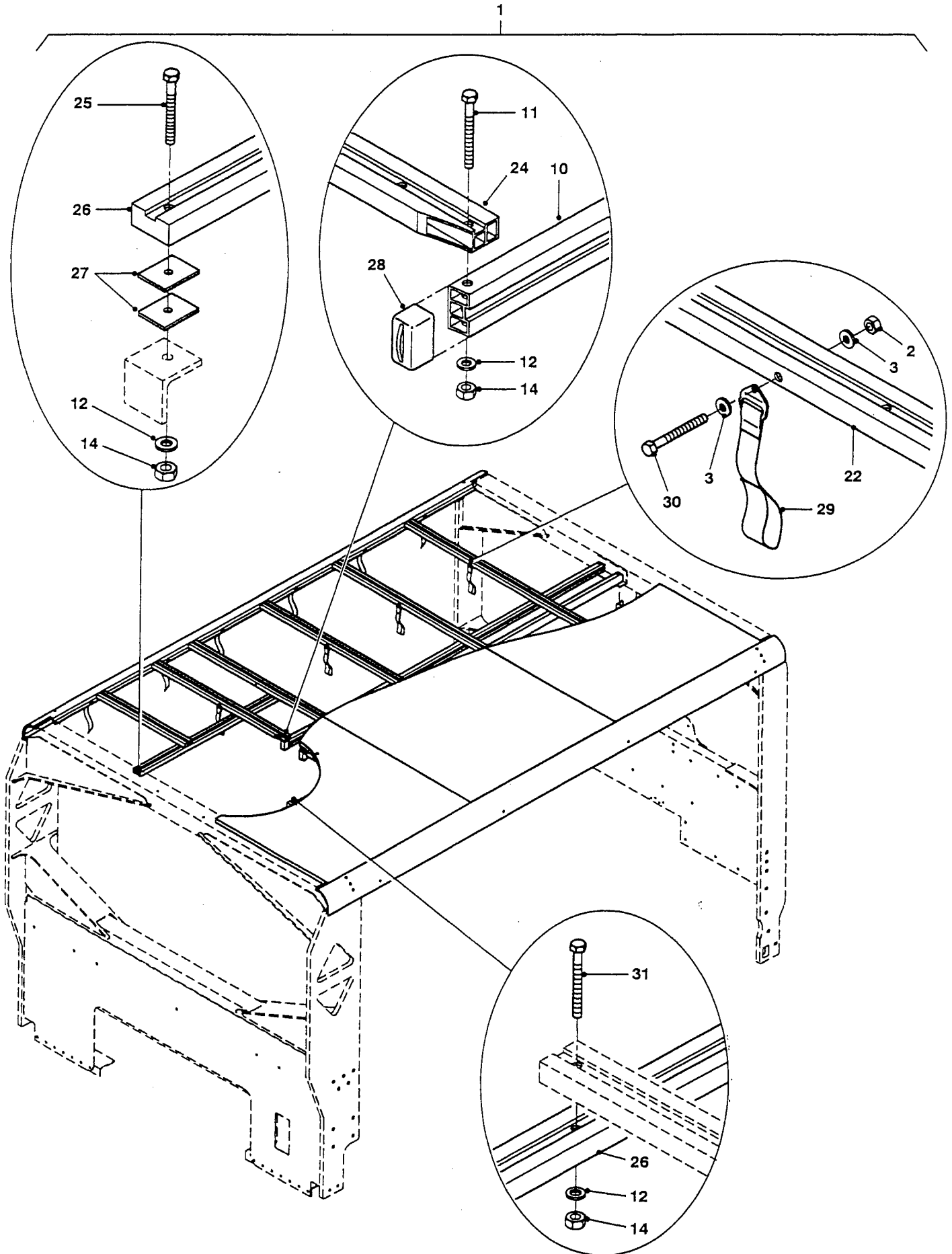


ROOF ASSEMBLY

Bush Ranger Land Rover Parts ListDerivative code - INTERIM RPIL02228

WB ROOF ASSEMBLY

<u>Item</u>	<u>Part No.</u>	<u>NSN</u>	<u>Description</u>	<u>Quantity</u>
			CAP, THREAD PROTECTOR, PLASTIC, RED	12
12	WA108054L		WASHER FLAT, M8, ZINC PLATED, BLACK	36
13	FYD1922/5L		BOW, ROOF, LONGITUDINAL, ALUMINIUM EXTRUSION, P1040R, 6061 T6, 2238 MM LG., LEFT	1
14	NZ108044		NUT, SELF LOCKING, HEX., M8, ZINC PLATED, BLACK	32
15	FYD1017/2		SHEET, ROOF, 1.6 MM ALUMINIUM SHEET, 5251 H34, 2004 MM BY 1000 MM	2
16	FYD1922/8L		CANT RAIL, ALUMINIUM EXTRUSION, U9756R, 6351 T5, 3158 MM LG., LEFT	1
17	FYD1922/7		SHEET, ROOF, GUNRING, 1.6 MM ALUMINIUM SHEET, 5251 H34, 2000 MM BY 1000 MM	1
18	NSS		ROOF INSULATION, FOAM, LD45FR, 2000 MM BY 1000 MM BY 10 MM, WITH FASSON ADHESIVE BACKING	7
	NSS		ADHESIVE, 3M, FASTAPE	1
	NSS		TAPE, ADHESIVE, 3M VHB, 4949 DOUBLE SIDED, 25 MM W., BLACK, 33 MR. LG.	1
19	FYD1922/4L		BOW, CROSS, ROOF, ALUMINIUM EXTRUSION, P1040R, 6061 T6, GUNRING SUPPORT, LEFT	2
20	FYD1922/1		BOW, CROSS, ROOF, ALUMINIUM EXTRUSION, P1040R, 6061 T6, GUNRING SUPPORT - SHORT, 616 MM LG.	2
21	FYD1922/3		BOW, CROSS, ROOF, ALUMINIUM EXTRUSION, P1040R, 6061 T6, REAR SUPPORT, 1947 MM LG.	1
22	FYD1017/3		BOW, CROSS, ROOF, ALUMINIUM EXTRUSION, P1040R, 6061 T6, 1947 MM LG.	3

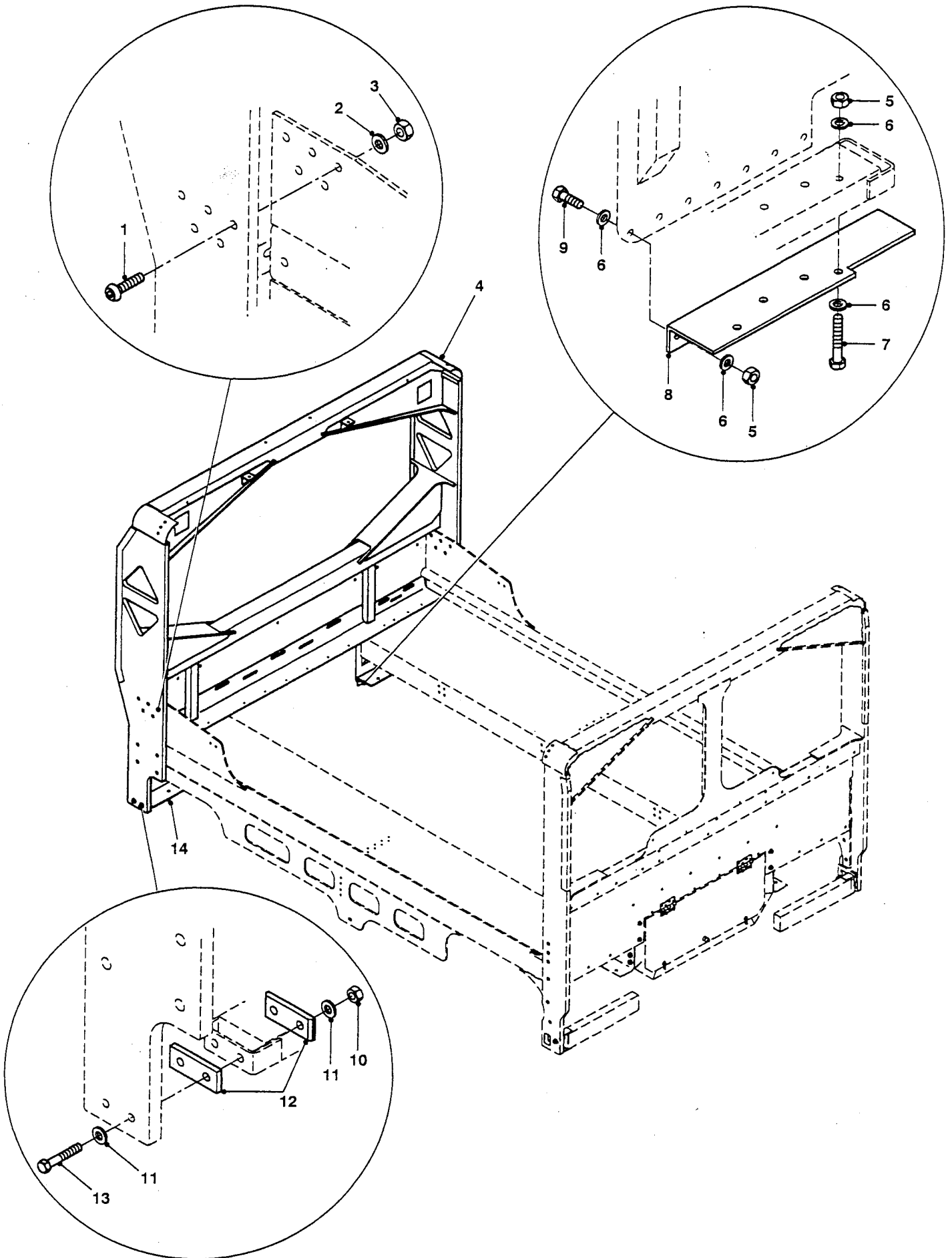


ROOF ASSEMBLY

Bush Ranger Land Rover Parts ListDerivative code - INTERIM RPIL02228

WB ROOF ASSEMBLY

<u>Item</u>	<u>Part No.</u>	<u>NSN</u>	<u>Description</u>	<u>Quantity</u>
23	SH108401L		SCREW, HEX. HD., M8 BY 40 MM LG., ZINC PLATED, BLACK	12
24	FYD1922/4R		BOW, CROSS, ROOF, ALUMINIUM EXTRUSION, P1040R, 6061 T6, GUNRING SUPPORT, RIGHT	1
25	BH108091L		BOLT, HEX. HD., M8 BY 45 MM LG., ZINC PLATED, BLACK	2
26	FYD1922/2		BOW, SUPPORT, GUNRING, LONGITUDINAL ALUMINIUM EXTRUSION, P1040R, 6061 T6, 978 MM LG.	2
27	GYD520		SPACER, 4 MM THK., 40 MM BY 50 MM	4
28	HYM948		CAP, PLASTIC, HORIZONTAL HEADBOARD, 750 SEMI RIGID PLASTICISED PVC, 89 DURO, BLACK	4
29	FYD0071	5340-66-142-8884	STRAP HANGING	8
	NSS		STRAP, RETAINING, NYLON WEBBING, 25 MM BY 185 MM	1
	NSS		BUCKLE, RETAINING END, 3 MM, M.S. COATED	1
30	BH106131L		BOLT, HEX. HD., M6 BY 65 MM LG., ZINC PLATED, BLACK	8
31	BH108111L		BOLT, HEX. HD., M8 BY 55 MM LG., ZINC PLATED, BLACK	6

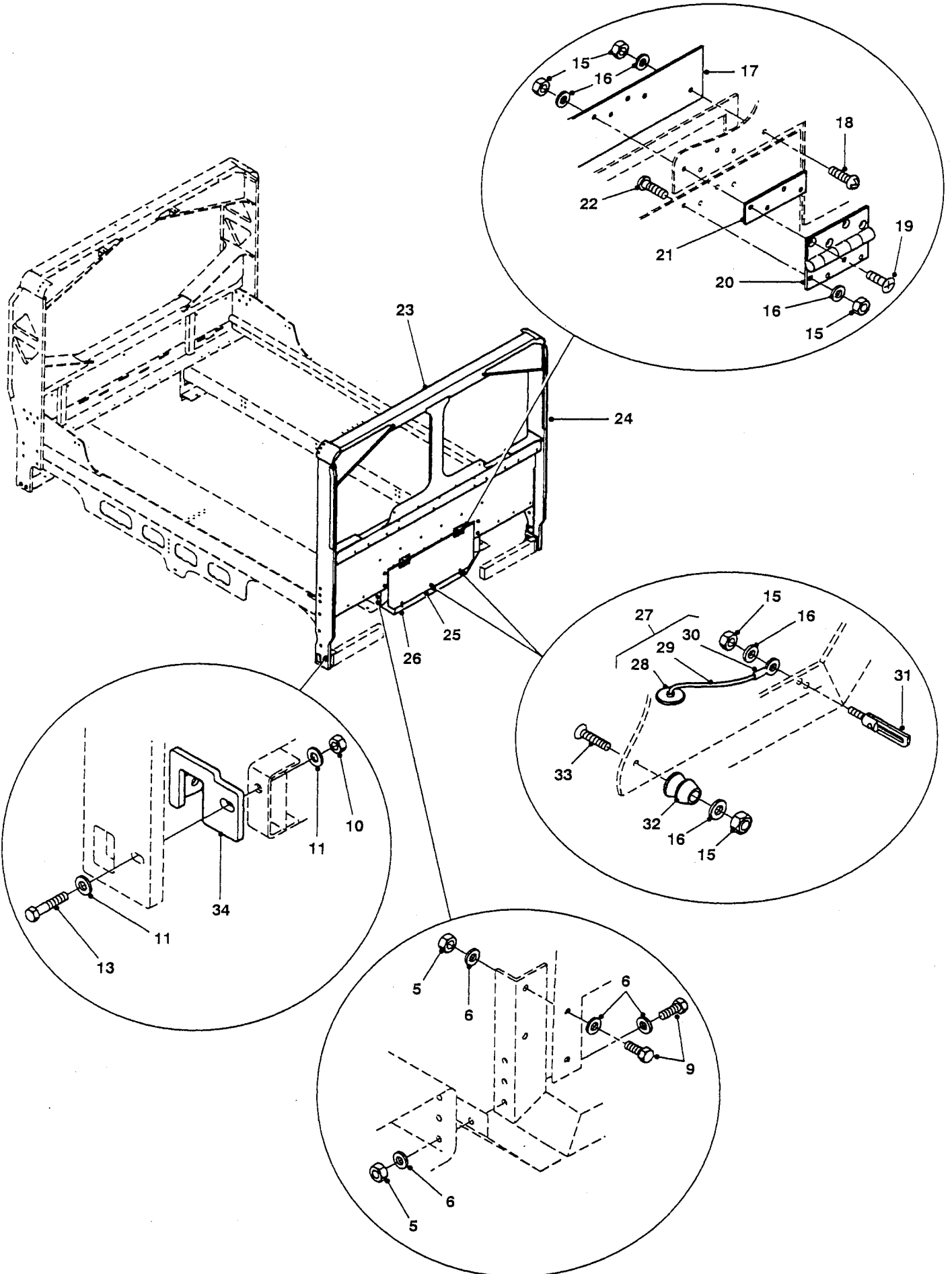


ROLL OVER PROTECTION

Bush Ranger Land Rover Parts ListDerivative code - INTERIM RPIL02228

WC ROLL OVER PROTECTION

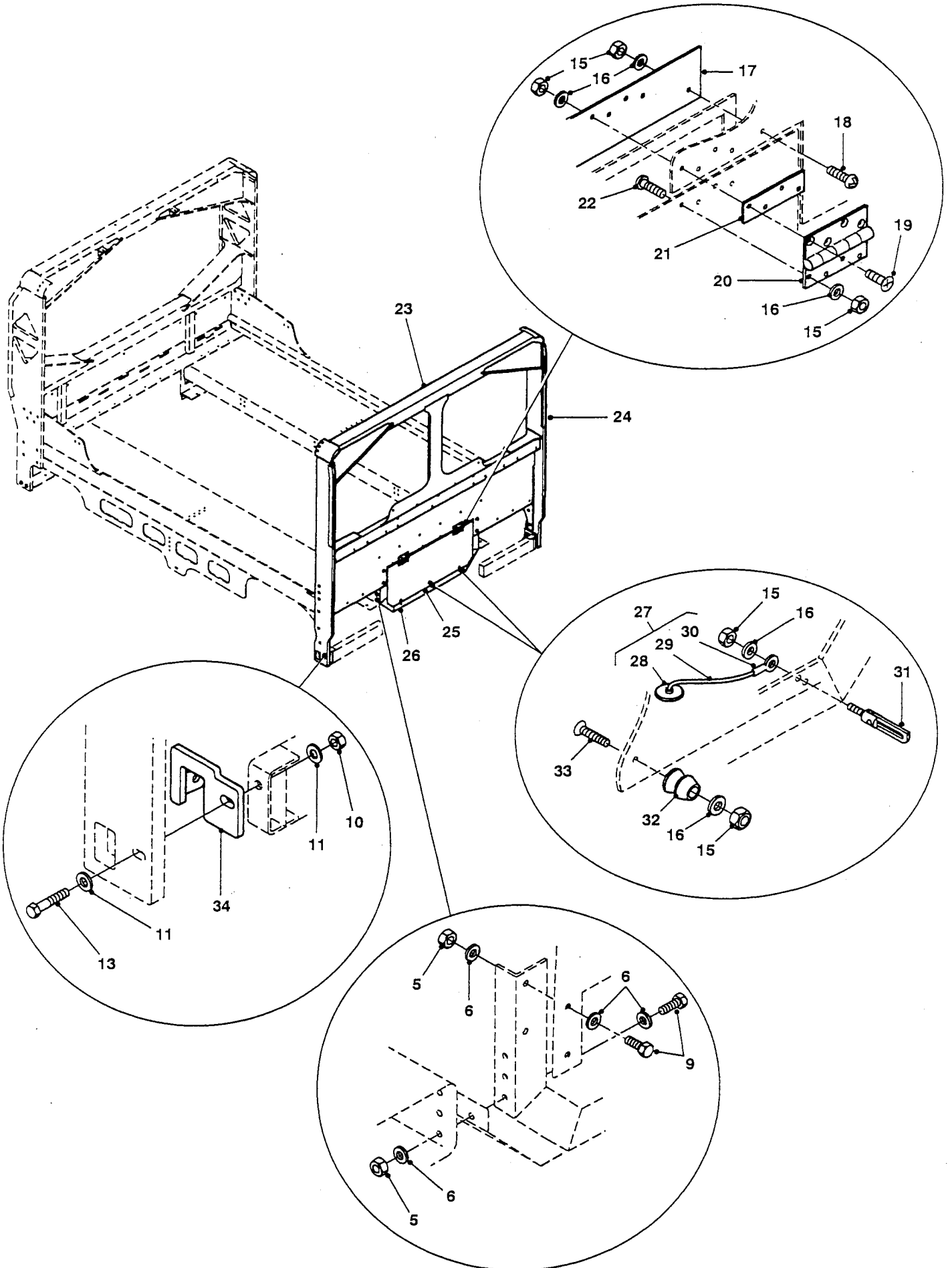
<u>Item</u>	<u>Part No.</u>	<u>NSN</u>	<u>Description</u>	<u>Quantity</u>
1	SB610201	SB510201	SCREW, BUTTON HEAD, 5/8 IN. UNSC. BY 2 1/2 IN., ZINC PLATED	30
2	WA116101L		WASHER FLAT, 5/8 IN., ZINC PLATED	30
3	NY510041		NUT, SELF LOCKING, HEX., 5/8 IN., ZINC PLATED, BLACK UNSC.	30
4	FYD1901		ROPS ASSEMBLY, FRONT, ALUMINIUM, POWDER COATED	1
	GYD545		DECAL, CAUTION	4
	HYG5684		DECAL, WARNING, ROLL CAGE	4
5	NZ110041		NUT, SELF LOCKING, HEX., M10, ZINC PLATED, BLACK	35
6	WC110041		WASHER, FLAT, STEEL, M10, ZINC PLATED, BLACK	62
7	BH110161L		BOLT, M10 BY 80 MM LG., HEX. HD., ZINC PLATED, BLACK	7
8	FYD1003/5		ANGLE, SUPPORT, FRONT WALL, 101.6 MM BY 50.8 MM BY 6.35 MM, ALUMINIUM L 6061 T6, 459 MM LG., RIGHT	1
9	BH110061		BOLT, HEX. HD., M10 BY 30 MM LG., ZINC PLATED, BLACK	24
10	NY112041L		NUT, SELF LOCKING, HEX., M12., ZINC PLATED, BLACK	6
11	WJ112007		WASHER, FLAT, STEEL, M12, ZINC PLATED, BLACK	12
12	FYD0097		SPACER, ALUMINIUM, 100 MM BY 40 MM BY 10 MM	4
13	BH112141L		BOLT, HEX. HD., M12 BY 70 MM LG., ZINC PLATED, BLACK	6
14	FYD1003/4		ANGLE, SUPPORT, FRONT WALL, 101.6 MM BY 50.8 MM BY 6.35 MM, ALUMINIUM L 6061 T6, 459 MM LG., LEFT	1



ROLL OVER PROTECTION

Bush Ranger Land Rover Parts ListDerivative code - INTERIM RPIL02228

WC		ROLL OVER PROTECTION		
<u>Item</u>	<u>Part No.</u>	<u>NSN</u>	<u>Description</u>	<u>Quantity</u>
15	NZ106044		NUT, SELF LOCKING, HEX., M6, ZINC PLATED, BLACK	21
16	WA106044		WASHER, FLAT, STEEL, M6, ZINC PLATED, BLACK	21
17	FYD1015/3		SEAL, REAR DOOR, 3.5 MM, ALUMINIUM 5083 H321	1
	NSS		SILASTIC 732 RTV	1
			STRIP, SEALING, 25 MM BY 5 MM, CLOSED CELL NEOPRENE, ADHESIVE BACK SPONGE TAPE, ADHESIVE FILM MACBOND 9517	1
18	SE106204		SCREW, RECESSED PAN HD., M6 BY 20 MM LG., ZINC PLATED, BLACK	4
19	SF106254		SCREW, COUNTERSUNK, CROSS TIP, M6 BY 25 MM LG., ZINC PLATED, BLACK	9
20	HYM10002		HINGE, ALUMINIUM	2
21	GYD513		PLATE, SHIM, REAR DOOR, 4 MM THK. PLATE, ALUMINIUM 5083 H321, 100 MM LG., 30 MM W.	2
22	SE106164		SCREW, COUNTERSUNK, CROSS TIP, M6 BY 16 MM LG., ZINC PLATED, BLACK	8
23	FYD1005		ROPS ASSEMBLY, REAR, ALUMINIUM, POWDER COATED	1
24		8305-66-125-2329	CLOTH	1
	NSS		ADHESIVE, 2 PART PACK	1
	NSS		HARDENER, ADHESIVE, 250 ML.	1
	NSS		THINNER, ADHESIVE, 4 LITRE	1
25	FYD1015/2		DOOR, REAR, 4.0 MM, ALUMINIUM 5083 H321	1
26	FYD1015/1		ANGLE, SUPPORT, REAR DOOR, 76.2 MM BY 50.6 MM BY 6.35 MM, ALUMINIUM L 6061 T6	1



ROLL OVER PROTECTION

Bush Ranger Land Rover Parts ListDerivative code - INTERIM RPIL02228

WC ROLL OVER PROTECTION

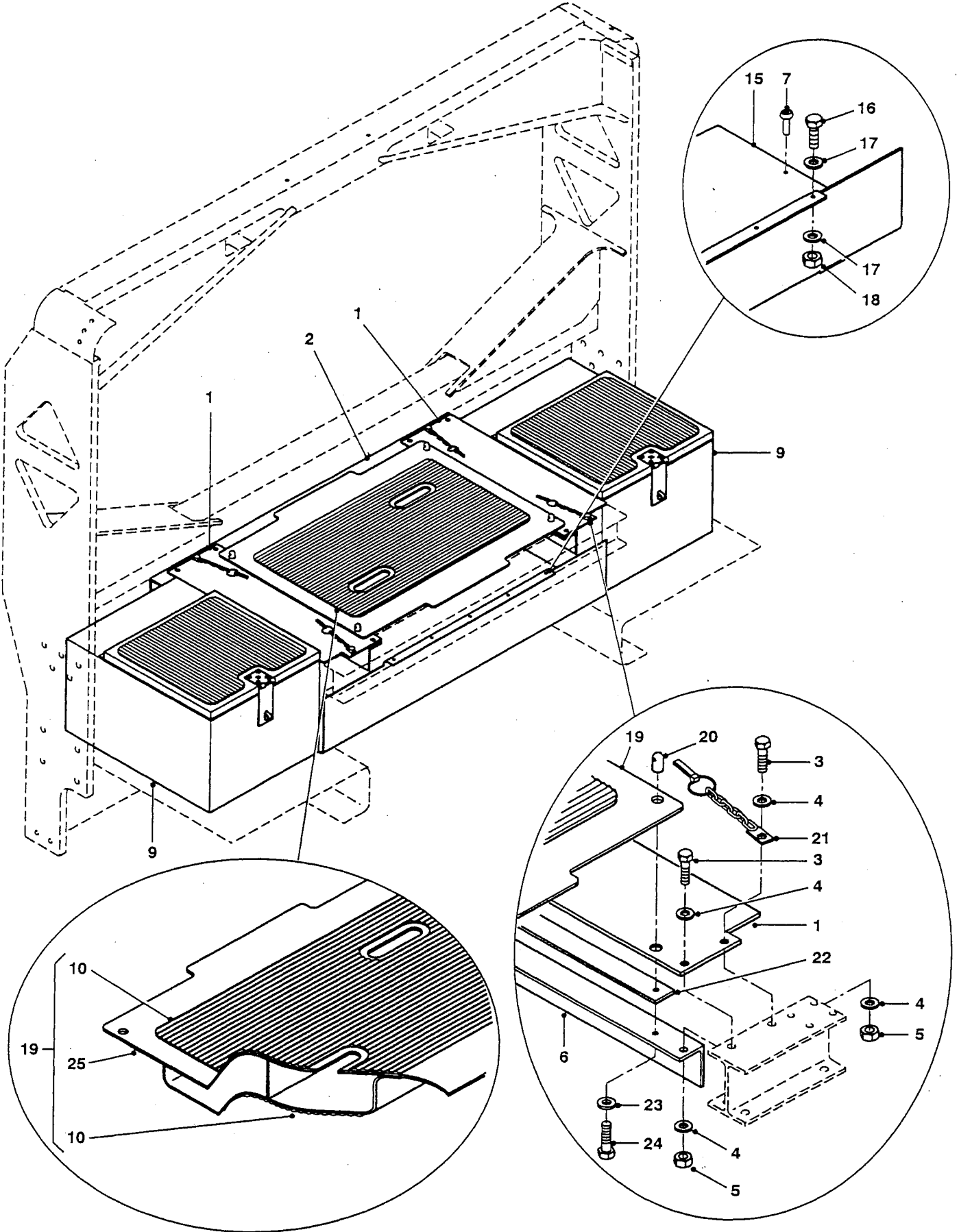
<u>Item</u>	<u>Part No.</u>	<u>NSN</u>	<u>Description</u>	<u>Quantity</u>
27	HYG3262	5325-66-128-5344	GROMMET AND CORD ASSEMBLY	4
28	NSS		GROMMET, NON-METALIC, RUBBER	4
29	NSS		CORD	4
30	NSS		TERMINAL	4
31			ANTI-LUCE FASTENER	2
32	HYM940		NYLON PLUG	1
33	SF106251		SCREW, COUNTERSUNK, M6 BY 25 MM LG.; ZINC PLATED, BLACK	2
34	FYD0095		PACKER, MODULE, HIGH LIFT JACK, 10 MM ALUMINIUM PLATE WITH TWO 5 MM SAFETY LUGS WELDED ON, RIGHT	1
	FYD0096		PACKER, MODULE, HIGH LIFT JACK, 10 MM ALUMINIUM PLATE WITH TWO 5 MM SAFETY LUGS WELDED ON, LEFT	1

Bush Ranger Land Rover Parts List

Derivative code - INTERIM RPIL02228

WD FRONT PLATFORM AND STOWAGE LOCKERS

<u>Item</u>	<u>Part No.</u>	<u>NSN</u>	<u>Description</u>	<u>Quantity</u>
1	FYD1921/1		PLATE, COVER, OUTER PLATFORM, 4.4 MM, ALUMINIUM SHEET, 5083 H321, 652 MM BY 195 MM	2
2	FYD1921/2		ANGLE, PLATFORM SUPPORT, FRONT, 50.8 MM BY 50.8 MM BY 6.35 MM, ALUMINIUM L 6061 T6, 1167 MM LG.	1
3	SH110201L	SH110201L	BOLT, HEX. HD., M10 BY 20 MM, ZINC PLATED, BLACK	21
4	WA110064		WASHER, FLAT, STEEL, M10, ZINC PLATED, BLACK	42
5	NZ110041		NUT, SELF LOCKING, HEX., M10, ZINC PLATED, BLACK	21
6	FYD1921/4R		ANGLE, PLATFORM SUPPORT, 76.2 MM BY 50.8 MM BY 6.35 MM, ALUMINIUM L 6061 T6, 655 MM LG., RIGHT	1
	FYD1921/4L		ANGLE, PLATFORM SUPPORT, 76.2 MM BY 50.8 MM BY 6.35 MM, ALUMINIUM L 6061 T6, 655 MM LG., LEFT	1
7	HYL8931	5306-66-128-5498	MONOBOLT	30
8	HYM946		HASP AND STAPLE, 57MM BY 200 MM, ZINC PLATED	1
9	FYD1930		LOCKER, STOWAGE, FRONT	2
	NSS		ADHESIVE, 2 PART PACK	1
	NSS		HARDENER, ADHESIVE, 250 MM	1
	NSS		THINNER, ADHESIVE, 4 LITRE	1
10	NSS		LINING, RUBBER, FLUTED DURO	1
11	FYD1930/1		LID, LOCKER, 3 MM, ALUMINIUM SHEET 5251 H34	1
12			STRIP, SEALING, 25 MM BY 5 MM, CLOSED CELL NEOPRENE ADHESIVE BACK SPONGE TAPE, ADHESIVE FILM MACBOND 9517	1

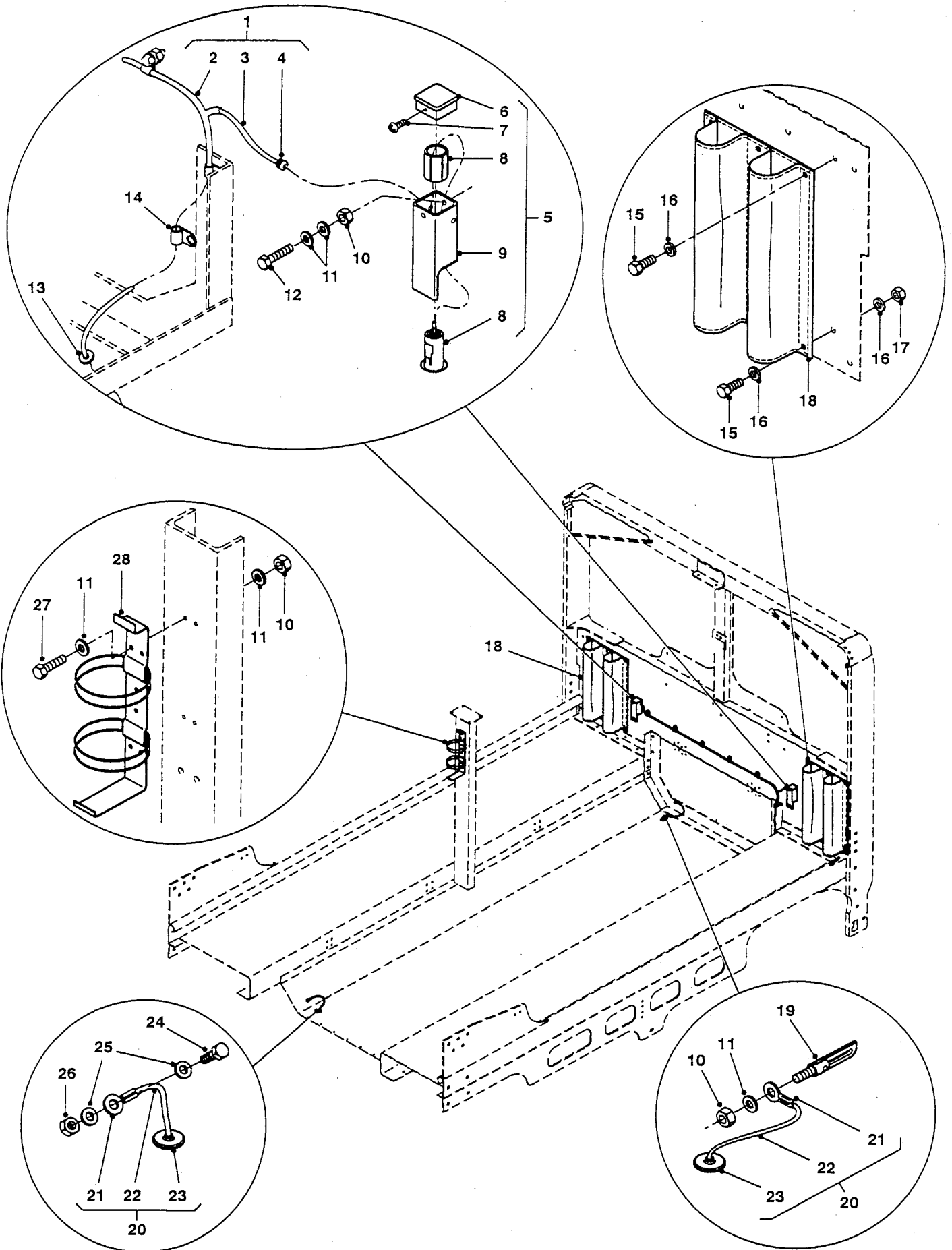


FRONT PLATFORM AND STORAGE LOCKERS

Bush Ranger Land Rover Parts ListDerivative code - INTERIM RPIL02228

WD FRONT PLATFORM AND STOWAGE LOCKERS

<u>Item</u>	<u>Part No.</u>	<u>NSN</u>	<u>Description</u>	<u>Quantity</u>
13	NSS		BODY, LOCKER, 3 MM, ALUMINIUM SHEET 5251 H34	1
	FYD1930/3		HINGE, LID, ALUMINIUM HINGE WITH STAINLESS STEEL PIN, 50 MM BY 1.6 MM BY 420 MM	1
14	FYD1930/10		PLATE, UNDER LOCKER WASHER, 4.4 MM ALUMINIUM SHEET 5083 H321, 40 MM BY 40 MM	4
15	FYD1913		PRESSING, UNDER PLATFORM; 3.5 MM, ALUMINIUM SHEET 5083, H321, 1110 MM LG.	1
16	SH108251L	SH108251L	SCREW, HEX. HD., M8 BY 25 MM LG., ZINC PLATED, BLACK	5
17	WA108054L		WASHER, FLAT, M8, ZINC PLATED, BLACK	10
18	NZ108004		NUT, SELF LOCKING, HEX., M8, ZINC PLATED, BLACK	5
19	FYD1923		PLATFORM, ASSEMBLY, FRONT	1
20	FYD1921/3		SHAFT RETAINING, PLATFORM, MACHINING ROD, ROUND 2011 T3, DOMED HEAD, 30 MM LG.	4
21	FYD1921/5A		LATCH, RETAINING, PLATFORM	4
22	FYD1921/6		PACKER, UNDER FLOOR, 6 MM, ALUMINIUM FLAT BAR, 6060 T5, 538 MM BY 40 MM	2
23	WF106061		WASHER, SHAKEPROOF, M6, ZINC PLATED, BLACK	4
24	BH106061L		BOLT, HEX. HD., M6 BY 30 MM LG., ZINC PLATED, BLACK	4
		8030-01-069-3046	LOCTITE 222-31	1
25	FYD1923/1		PLATFORM SUPPORT PLATE AND OUTER PRESSING	1

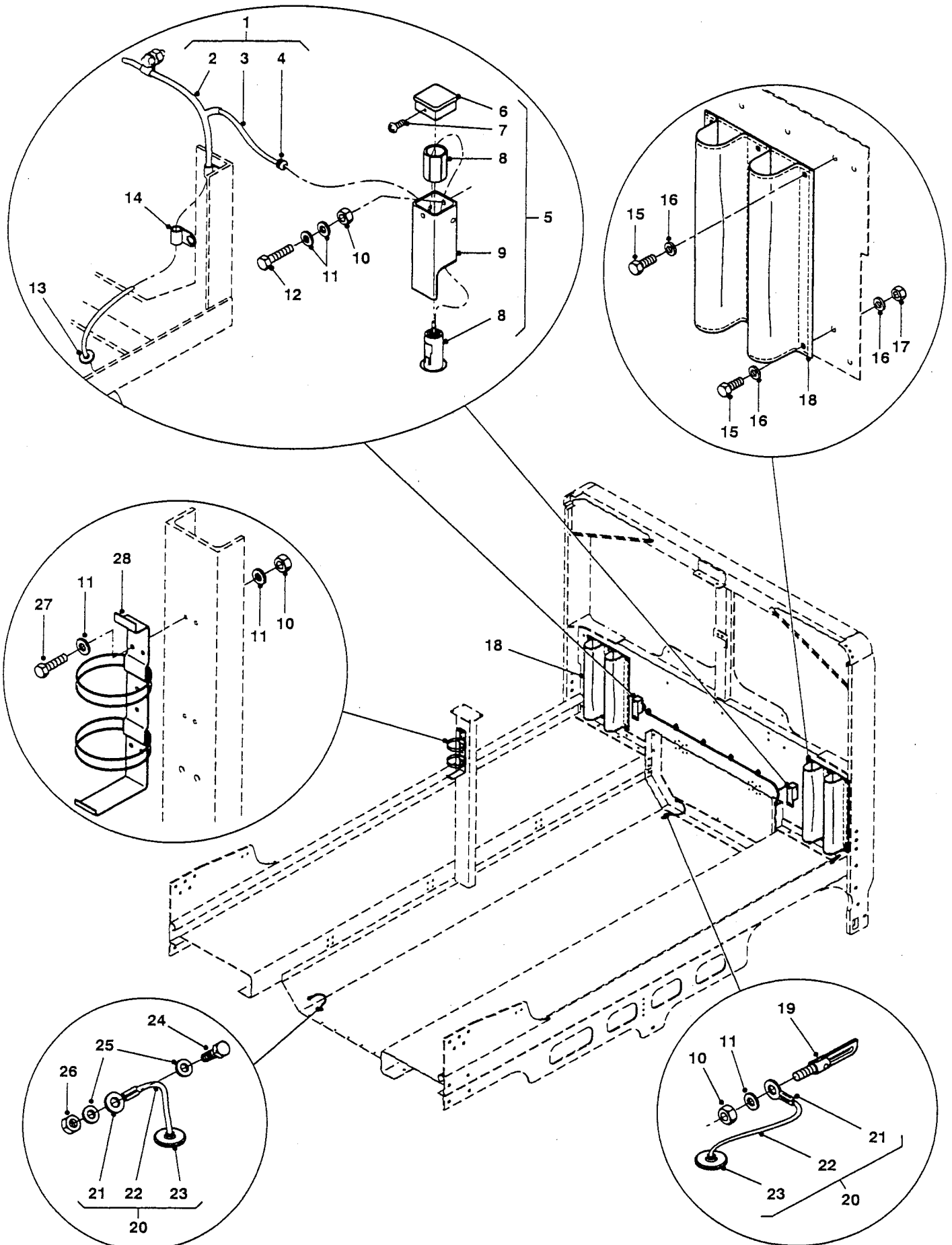


INTERIOR FITTINGS - MODULE

Bush Ranger Land Rover Parts ListDerivative code - INTERIM RPIL02228

WE INTERIOR FITTINGS - MODULE

<u>Item</u>	<u>Part No.</u>	<u>NSN</u>	<u>Description</u>	<u>Quantity</u>
1	GYD963		CABLE, CIGAR LIGHTER ASSEMBLY	1
2	NSS		TUBING, PVC, 4 MM, BLACK	1
3	NSS		WIRE, 26/0.32, PURPLE 1020 MM LG.	1
			TERMINAL	2
	AYG9120	5970-66-128-4715	INSULATOR	2
	MYH2565	5940-66-128-4737	TERMINAL	1
4	HYM934		GROMMET, CABLE	1
5	GYD964		CIGARETTE LIGHTER ASSEMBLY	2
6	HYM 1008		CAP, PLASTIC, BLACK	1
7	AB108031		SCREW, RECESSED PAN HD., STEEL, ZINC PLATED, 8G BY 10 MM LG.	1
8		2540-66-140-7487	CIGARETTE LIGHTER	1
9	GYD 211		BRACKET, CIGARETTE LIGHTER	1
10	NZ106044		NUT, SELF LOCKING, HEX., M6, ZINC PLATED, FE/ZN, BLACK	8
11	WA106044		WASHER, FLAT, M6, ZINC PLATED, FE/ZN, BLACK	12
12	SH106161	5305-99-122-5360	SCREW, MACHINE, HEX HD., M6 BY 16 MM LG.	2
13	MYH3345	5325-66-128-4578	GROMMET	1
14	HYG6625		'P' CLIP	8
15	SH110204		BOLT, M10 BY 20 MM LG., ZINC PLATED, BLACK	3
16	WA110064		WASHER, FLAT, M10, ZINC PLATED, FE/ZN, BLACK	6
17	NZ110041		NUT, SELF LOCKING, HEX., M10, ZINC PLATED, FE/ZN, BLACK	3

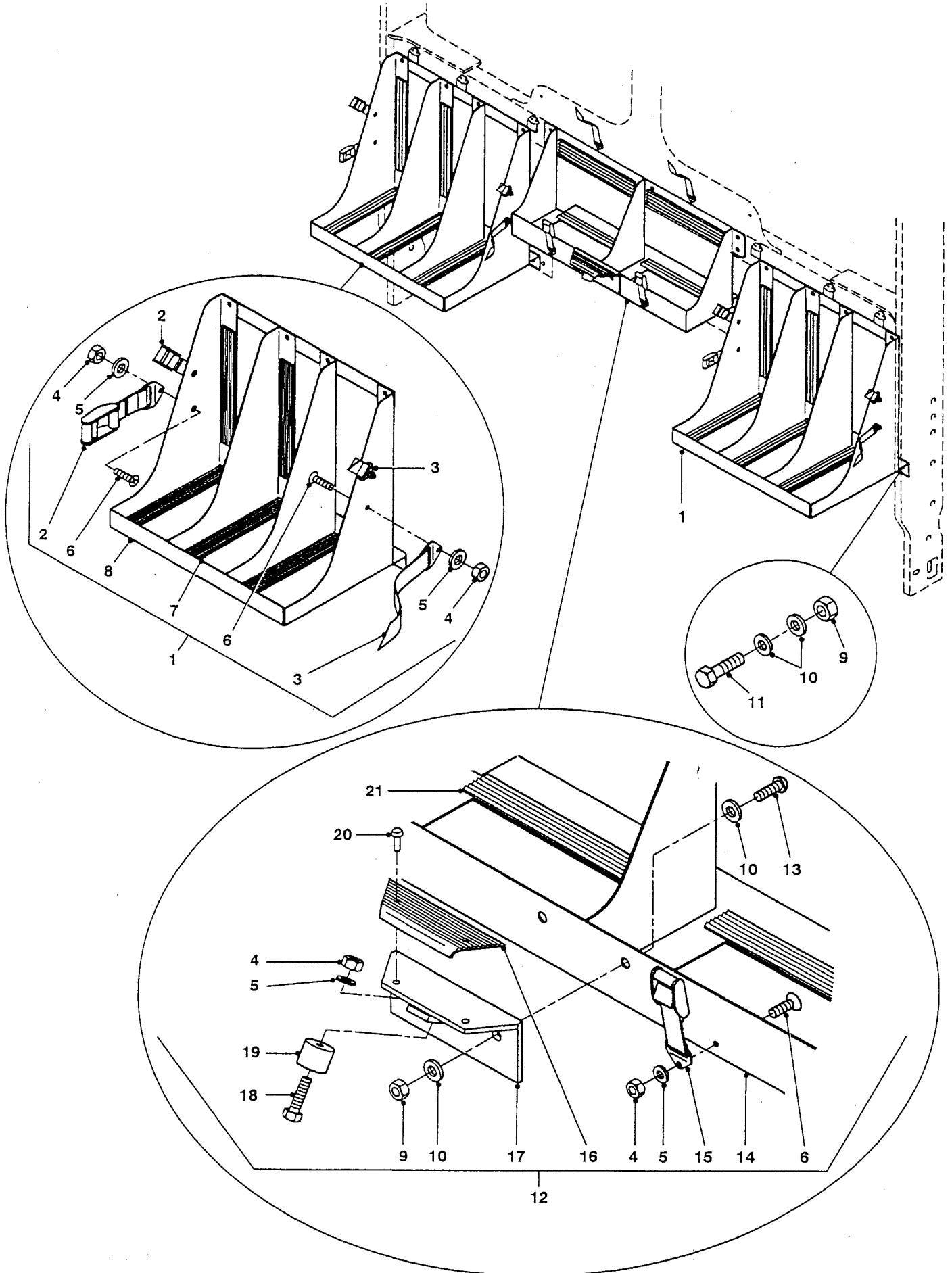


INTERIOR FITTINGS - MODULE

Bush Ranger Land Rover Parts ListDerivative code - INTERIM RPIL02228

WE INTERIOR FITTINGS - MODULE

<u>Item</u>	<u>Part No.</u>	<u>NSN</u>	<u>Description</u>	<u>Quantity</u>
18	FYD1955	8105-66-142-8887	CONTAINER, LIGHT ANTI- ARMOUR WEAPON	2
19			FASTENER, ANTI-LUCE	2
20	HYG3262	5325-66-128-5344	GROMMET AND CORD ASSEMBLY	4
21	NSS		TERMINAL, LUG	3
22	NSS		CABLE	3
23	NSS		GROMMET	3
24	SH108201L		SCREW, HEX. HD., M8 BY 20 MM, ZINC PLATED, FE/ZN, BLACK	2
25	WA108054L		WASHER, FLAT, M8, ZINC PLATED, BLACK	4
26	NZ108044		NUT, SELF LOCKING, HEX., M8, ZINC PLATED, BLACK	2
27	SH106201L		SCREW, HEX. HD., M6 BY 20 MM LG., ZINC PLATED, FE/ZN, BLACK	4
28	GYD965		BRACKET ASSEMBLY, FIRE EXTINGUISHER, DOUBLE STRAP	1

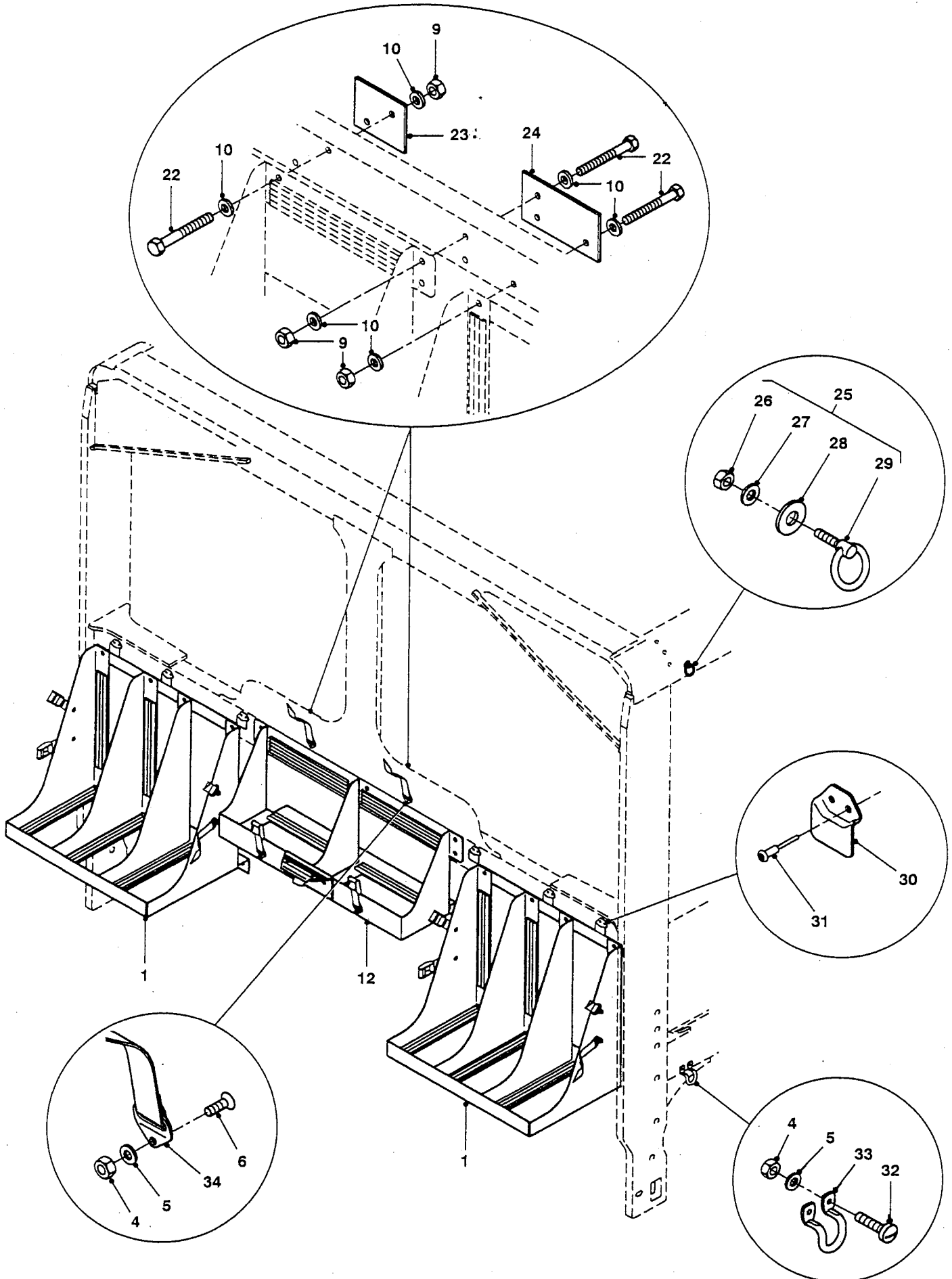


EXTERIOR FITTINGS - MODULE

Bush Ranger Land Rover Parts ListDerivative code - INTERIM RPIL02228

WF EXTERIOR FITTINGS - MODULE

<u>Item</u>	<u>Part No.</u>	<u>NSN</u>	<u>Description</u>	<u>Quantity</u>
1	FYD0053	2540-66-142-8888	HOLDER	2
2	FYD0053/4	5340-66-142-8890	STRAP AND BUCKLE ASSEMBLY	2
3	FYD0053/5	5340-66-142-8892	STRAP ASSEMBLY	4
4	NZ106044		NUT, SELF LOCKING, HEX., M6, ZINC PLATED, BLACK	60
5	WA106045		WASHER, FLAT, STEEL, M6, ZINC PLATED, BLACK	60
6	SE106164		SCREW, COUNTERSUNK HD., M6 BY 16 MM LG., ZINC PLATED, BLACK	8
7	FYD0053/9	HY97753.	STRIP, RUBBER, 4 MM BLACK RIBBED MATTING, 33 MM BY 330 MM	8
8	NSS		TRIPLE, JERRY CAN HOLDER, BODY PLATE	1
9	NZ110044		NUT, SELF LOCKING, HEX., M10, ZINC PLATED, BLACK	26
10	WA110064		WASHER, FLAT, M10, ZINC PLATED, BLACK	52
11	BH1100614		BOLT, HEX. HD., M10 BY 30 MM LG., ZINC PLATED, FE/ZN, BLACK	10
12	FYD0054	2540-66-142-8889	HOLDER ASSEMBLY	1
13	SB1103014		SCREW, BUTTON HD., M10 BY 35 MM LG., ZINC PLATED, BLACK	2
14	NSS		DOUBLE JERRY CAN HOLDER, BODY PLATE	1
15	FYD0054/4	5340-66-142-8873	HOLDER	4
16	FYD1015/4		EXTRUSION, REAR STEP, ALUMINIUM EXTRUSION, E2611S, 6060 T1, 165 MM LG.	1
17	FYD1015/5		ANGLE, REAR STEP, 76.2 MM BY 50.6 MM BY 6.35 MM, ALUMINIUM, L 6061 T6, 182 MM LG.	1

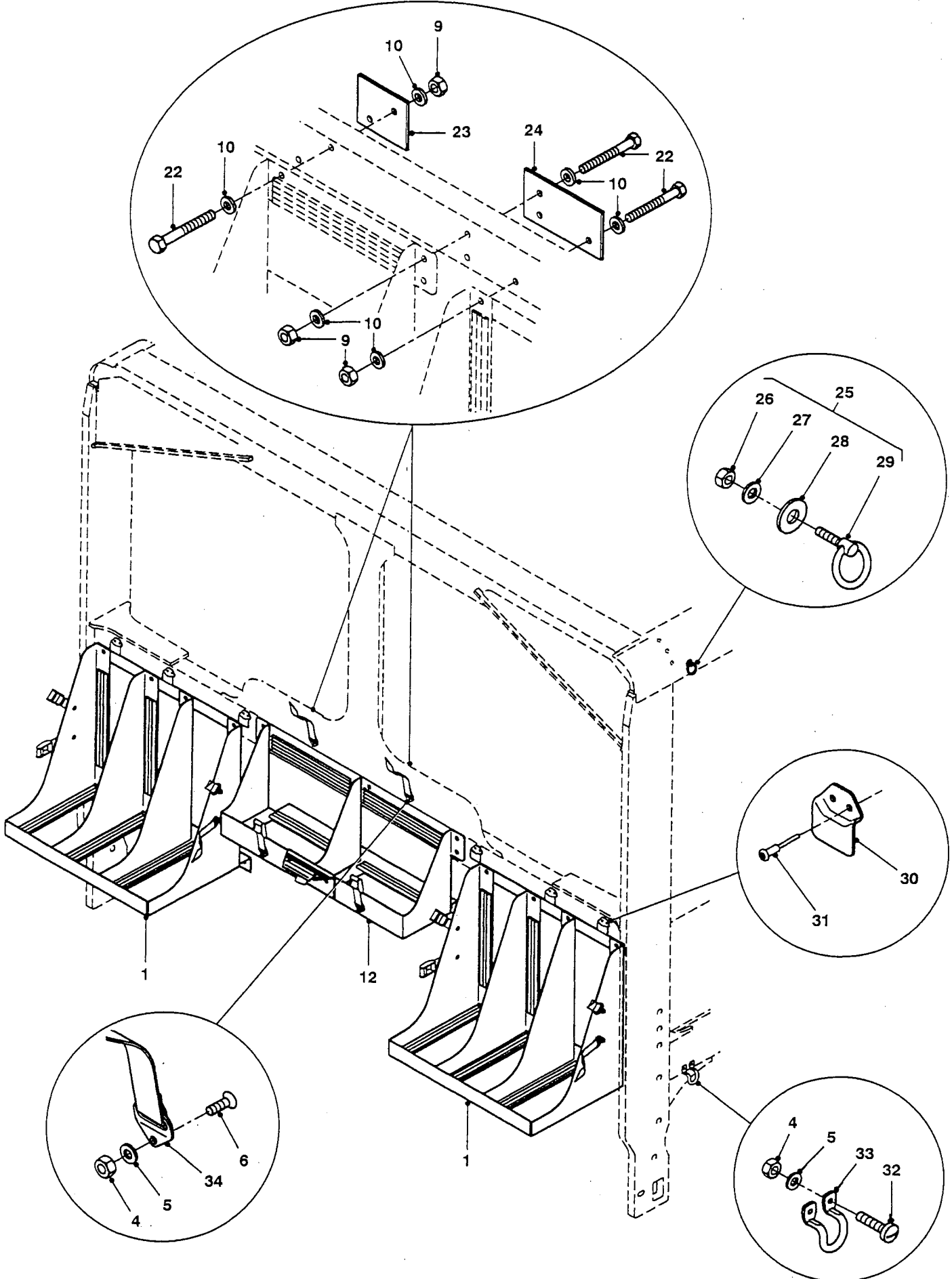


EXTERIOR FITTINGS - MODULE

Bush Ranger Land Rover Parts ListDerivative code - INTERIM RPIL02228

WF EXTERIOR FITTINGS - MODULE

<u>Item</u>	<u>Part No.</u>	<u>NSN</u>	<u>Description</u>	<u>Quantity</u>
18	HYM939		NYLON RECEPTACLE	1
19	SH10625L		SCREW, HEX. HD., M6 BY 25 MM LG., ZINC PLATED, BLACK	1
	HYG6629		PLUG, BLANKING, PVC	2
20	HYL8931	5306-66-128-5498	MONOBOLT	2
21	FYD0054/9		STRIP, RUBBER, RIBBED MATTING	8
	NSS		ADHESIVE, 2 PART PACK	1
	NSS		HARDENER ADHESIVE, 250 MM	1
	NSS		THINNER, ADHESIVE, 4 LITRE	1
22	BH110161L		BOLT, HEX. HD., M10 BY 80 MM LG., ZINC PLATED, BLACK	14
23	FYD1006/11 (008-553)	Q7D 553	PLATE, LOAD, JERRY CAN HOLDER, 100 MM BY 6 MM, ALUMINIUM FLAT BAR, 120 MM LG.	2
24	FYD1006/10 (008-552)	Q7D 552	PLATE, LOAD, JERRY CAN HOLDER, 100 MM BY 6 MM, ALUMINIUM FLAT BAR, 185 MM LG.	1
25	GYD515		RING BOLT ASSEMBLY	8
26	NZ304044 4		NUT, SELF LOCKING, HEX., 1/4 IN., BSW, ZINC PLATED, BLACK	10
27	WA106044		WASHER, FLAT, 1/4 IN., ZINC PLATED, BLACK	10
28	WJ600041L 4		WASHER, FLAT, 22.2 MM O.D. BY 6.8 MM I.D., ZINC PLATED, BLACK	10
29	GYD514		RINGBOLT, 35 MM O.D., 25 MM I.D., BOLT 21 MM LG., BLACK OXIDE COATING	1
30	R301328	2540-66-098-2761	ROPE CLEAT	6

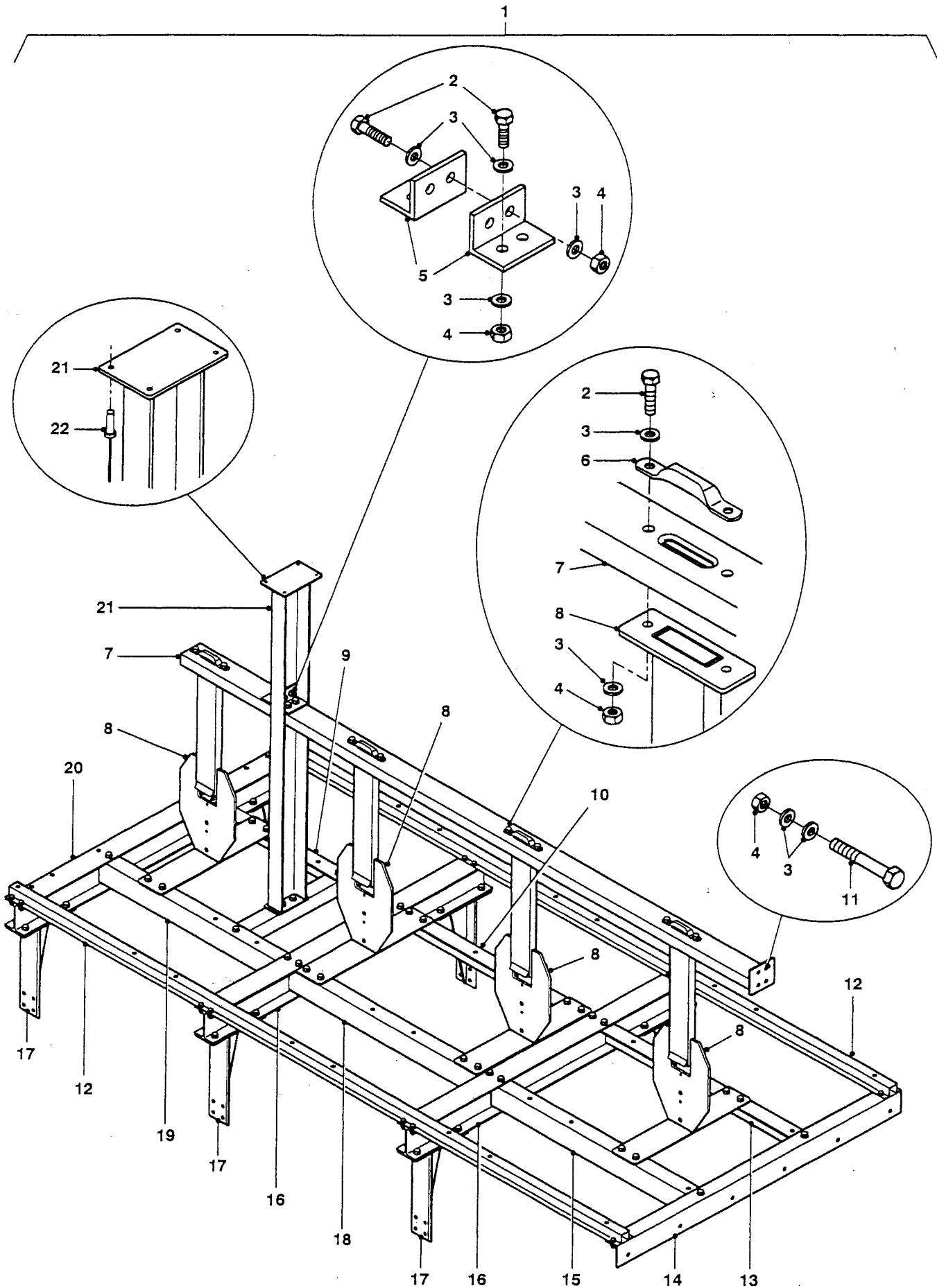


EXTERIOR FITTINGS - MODULE

Bush Ranger Land Rover Parts ListDerivative code - INTERIM RPIL02228

WF EXTERIOR FITTINGS - MODULE

<u>Item</u>	<u>Part No.</u>	<u>NSN</u>	<u>Description</u>	<u>Quantity</u>
31	RU612373		RIVET, BLIND, ALUMINIUM ALLOY, DOME HD., W/BREAK STEM MANDREL, 3/16 IN. DIA., 0.562 IN. LG.	12
32	SE106254		SCREW, PAN HD., M6 BY 25 MM LG., ZINC PLATED, BLACK	52
33	R345699	2510-99-820-7552	HOOK, ROPE	26
34	FYD0054/5	5340-66-142-8891	STRAP AND BUCKLE	2

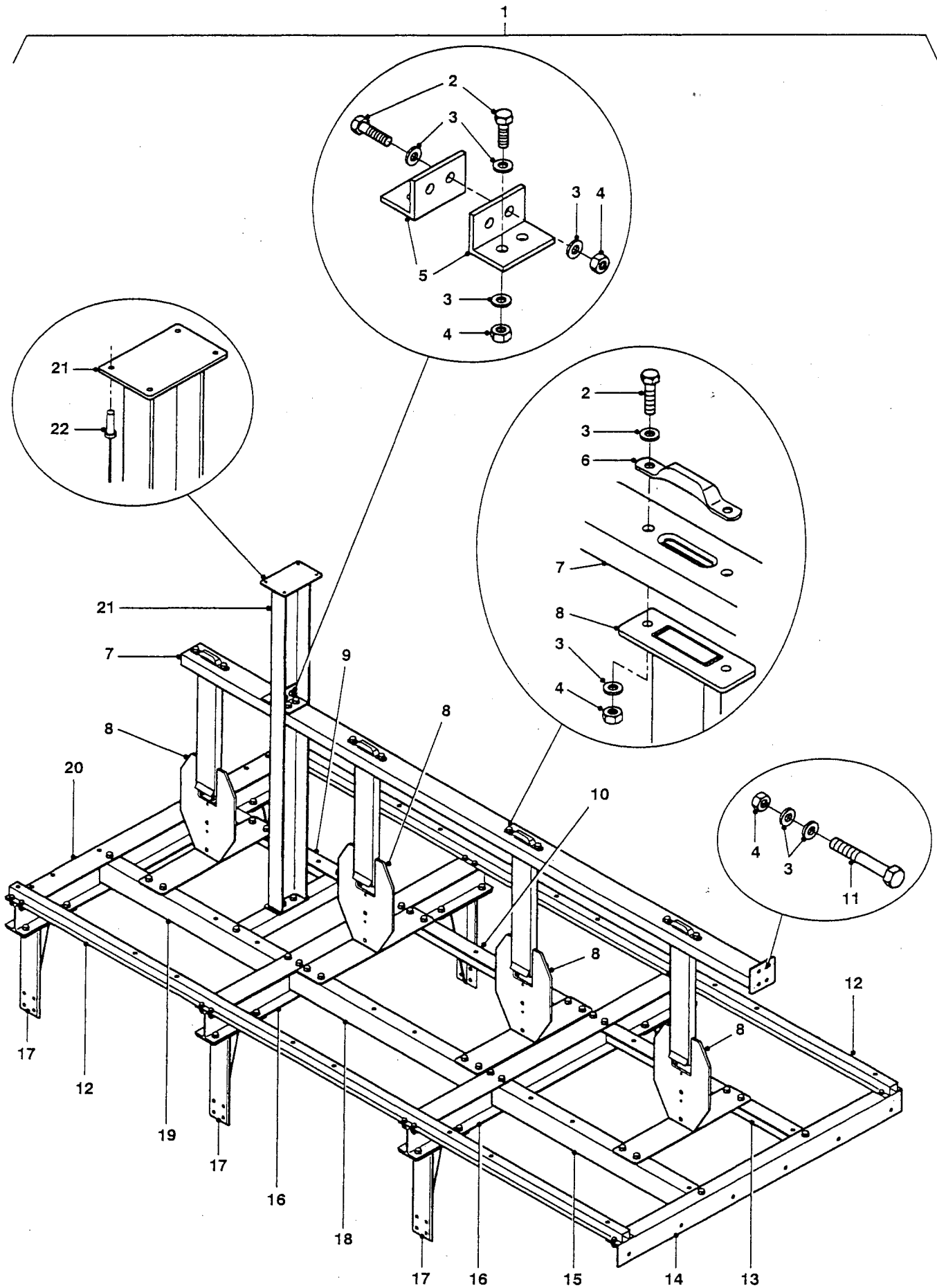


REAR SEAT FRAME ASSEMBLY

Bush Ranger Land Rover Parts ListDerivative code - INTERIM RPIL02228

WG REAR SEAT FRAME ASSEMBLY

<u>Item</u>	<u>Part No.</u>	<u>NSN</u>	<u>Description</u>	<u>Quantity</u>
1	FYD1935		SEAT ASSEMBLY, INFANTRY VARIANT	1
2	SH11030		BOLT, HEX. HD., M10 BY 30 MM LG., ZINC PLATED, FE/ZN, BLACK	110
3	WA110064		WASHER, FLAT, M10, ZINC PLATED, FE/ZN, BLACK	236
4	NZ110044		NUT, SELF LOCKING, HEX., M10, ZINC PLATED, FE/ZN, BLACK	132
5	FYD1919/5		SUPPORT, HORIZONTAL, SEAT BELT, ANGLE, 50.8 MM BY 50.8 MM BY 6.35 MM, ALUMINIUM, L 6061 T6, 76 MM LG.	2
6	FYD0093		RETAINER, SEAT BELT, ANTI-LUCE DEVICE, ALUMINIUM TUBE, 12.7 MM BY 1.42 MM W.T. TUBE	4
7	FYD1925		SUPPORT, REAR, SEAT BELT, HORIZONTAL, 2282 MM LG., 76.2 MM BY 38.1 MM BY 6.35 MM, ALUMINIUM CHANNEL, 6061 T6, WITH 6 MM ALUMINIUM PLATE 5083 H116 WELDED AT ONE END	1
8	FYD0057		RETAINER, VERTICAL, SEAT BELT	4
9	FYD1919/2R		ANGLE, SUPPORT, R.H., FRONT, 76.2 MM BY 50.6 MM BY 6.35 MM, ALUMINIUM, L 6061 T6, 736 MM LG.	1
10	FYD1019/2R		ANGLE, SUPPORT, R.H., CENTRE, 76.2 MM BY 50.6 MM BY 6.35 MM, ALUMINIUM, L 6061 T6, 794 MM LG.	1
11	BH110121		BOLT, HEX. HD., M10 BY 60 MM LG., ZINC PLATED, FE/ZN, BLACK	4



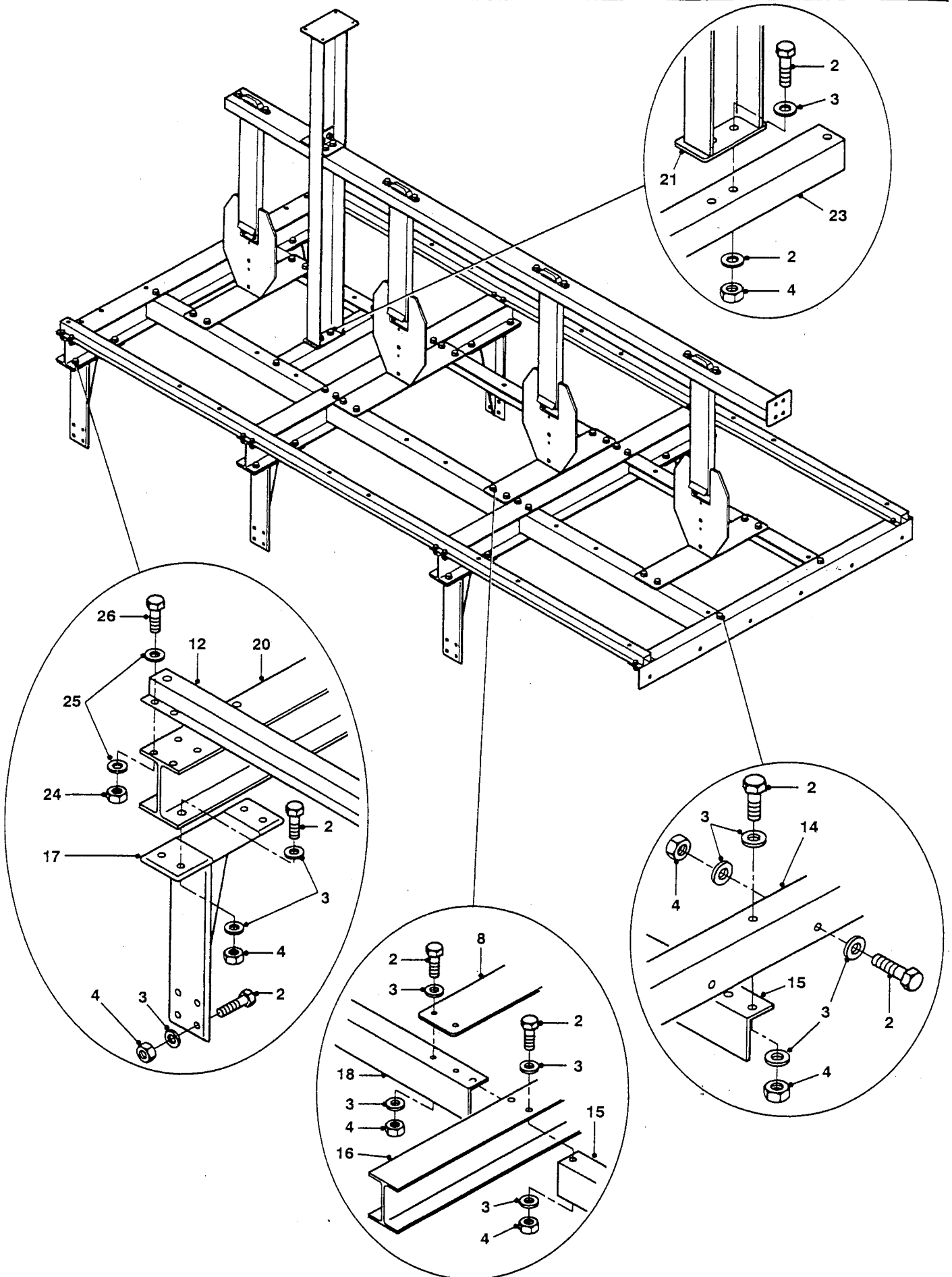
REAR SEAT FRAME ASSEMBLY

Bush Ranger Land Rover Parts List

Derivative code - INTERIM RPIL02228

WG REAR SEAT FRAME ASSEMBLY

<u>Item</u>	<u>Part No.</u>	<u>NSN</u>	<u>Description</u>	<u>Quantity</u>
12	FYD1919/6		SUPPORT, OUTER EDGE, SEAT, HAT SECTION, 63 MM BY 32 MM, ALUMINIUM, HAT SECTION L 6106 T591, 2448 MM LG.	2
13	FYD1019/3R		SUPPORT, RIGHT HAND REAR, ANGLE, 76.2 MM BY 50.6 MM BY 6.35 MM, ALUMINIUM, L 6061 T6, 821 MM LG.	1
14	FYD1019/1		CROSSMEMBER, REAR SEAT, 101.6 MM BY 76 MM BY 6.35 MM, ALUMINIUM, "I" BEAM 6061 T6, 1110 MM LG.	2
15	FYD1019/3L		ANGLE, SUPPORT, L.H., REAR, 76.2 MM BY 50.6 MM BY 6.35 MM, ALUMINIUM, L 6061 T6, 821 MM LG.	1
16	FYD1019/6		SUPPORT, TRANSVERSE, REAR SEAT, ANGLE, 76.2 MM BY 50.6 MM BY 6.35 MM, ALUMINIUM, L 6061 T6, 1110 MM LG.	2
17	FYD0067		LEG CASTING, SUPPORT, CROSSMEMBER, CAST ALUMINIUM, 401	6
18	FYD1019/2L		ANGLE, SUPPORT, L.H., CENTRE, 76.2 MM BY 50.6 MM BY 6.35 MM, ALUMINIUM, L 6061 T6, 794 MM LG.	1
19	FYD1919/2L		SUPPORT, LEFT HAND FRONT, ANGLE, 76.2 MM BY 50.6 MM BY 6.35 MM, ALUMINIUM, L 6061 T6, 736 MM LG.	1
20	FYD1919/1		CROSSMEMBER, REAR SEAT, 101.6 MM BY 76.2 MM BY 6.35 MM, ALUMINIUM, "I" BEAM 6061 T6, 1110 MM LG.	1
21	FYD1920		SUPPORT, COLUMN, SEAT BELT, 101.6 MM BY 50.8 MM BY 6.35 MM, ALUMINIUM CHANNEL 6061 T6, WITH TWO 6 MM ALUMINIUM PLATES 5083 H116 WELDED AT EITHER END, 1143 MM LG.	1

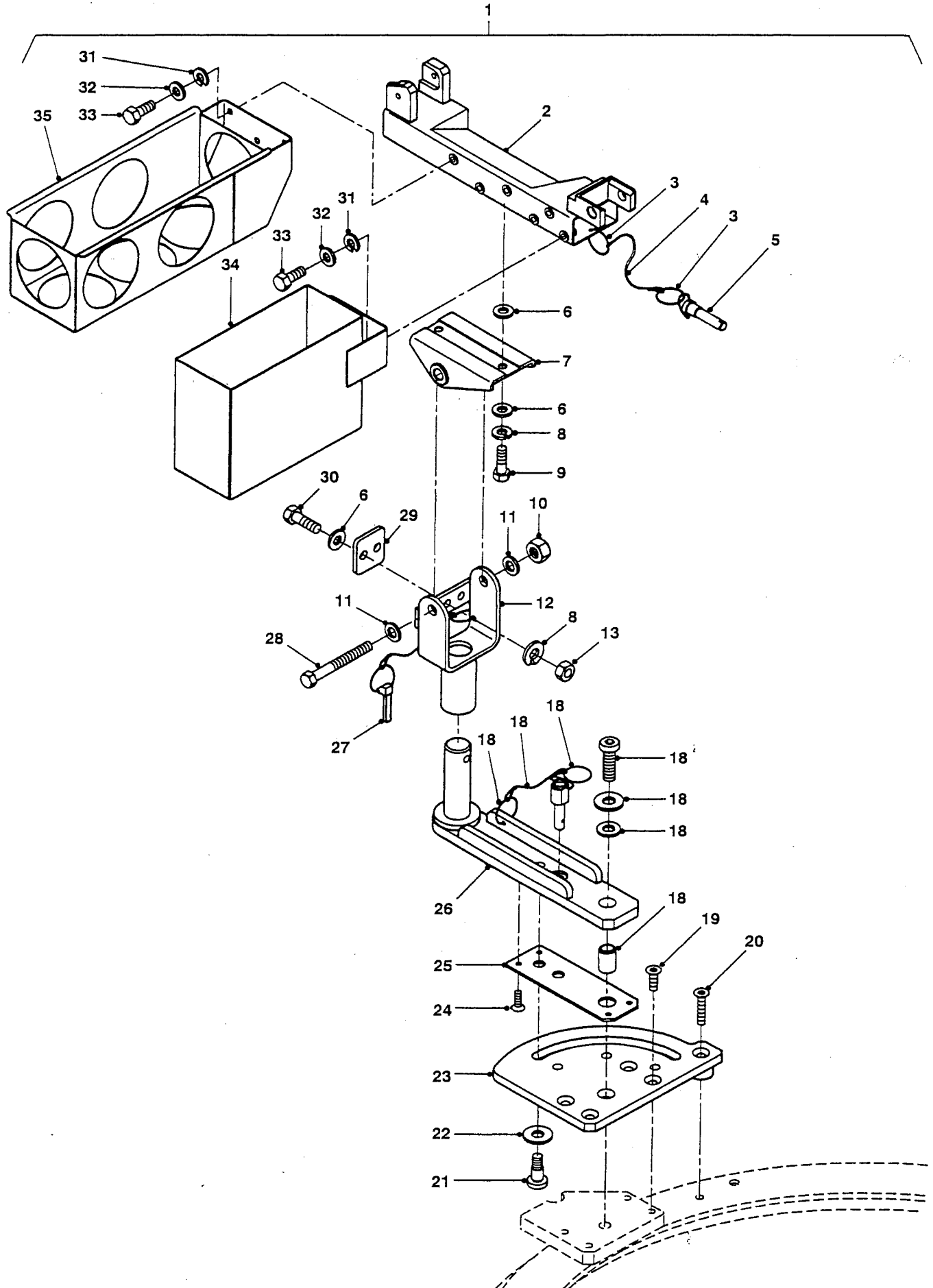


REAR SEAT FRAME ASSEMBLY

Bush Ranger Land Rover Parts ListDerivative code - INTERIM RPIL02228

WG REAR SEAT FRAME ASSEMBLY

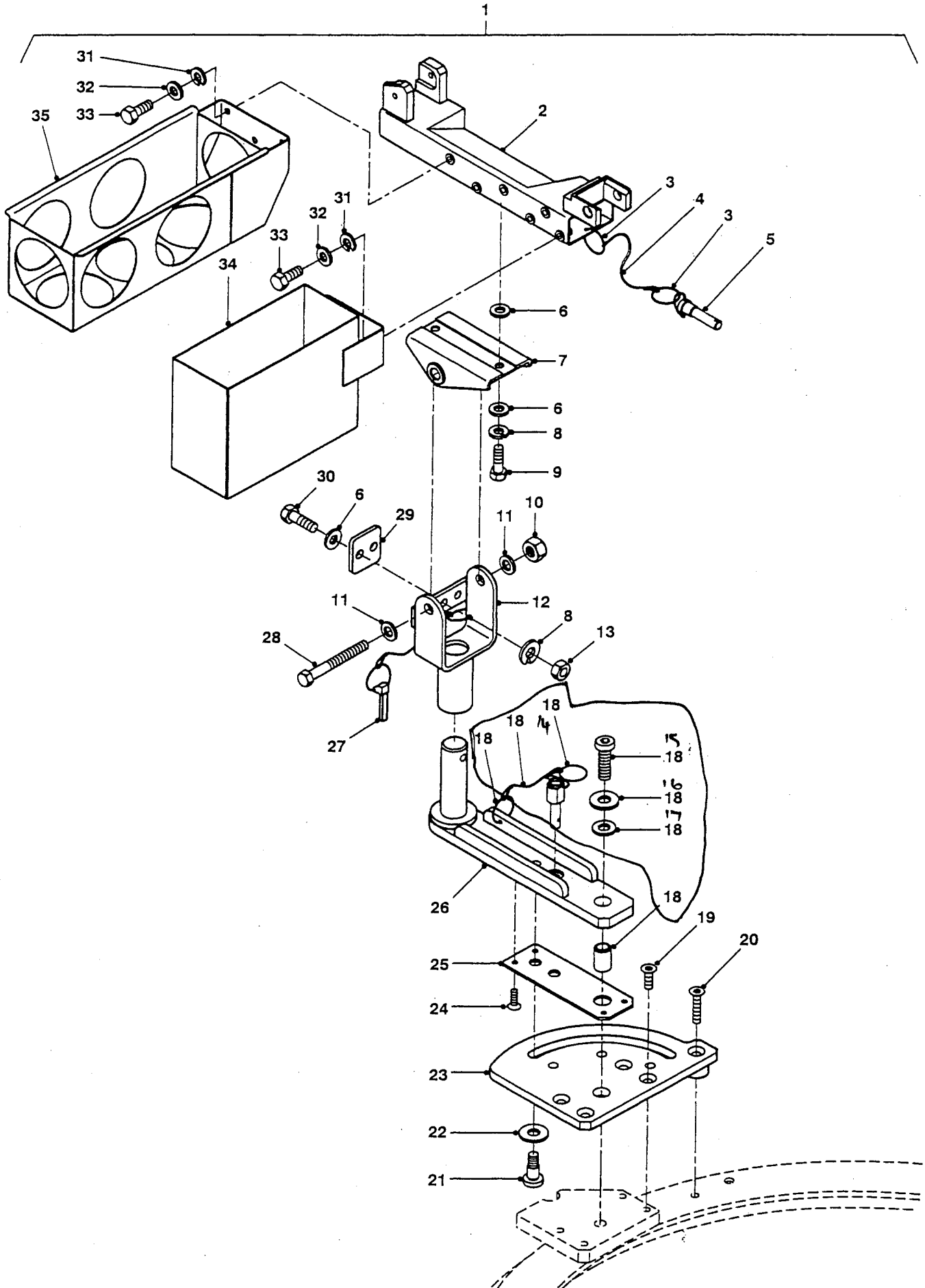
<u>Item</u>	<u>Part No.</u>	<u>NSN</u>	<u>Description</u>	<u>Quantity</u>
22	HYL8931	5306-66-128-5498	MONOBOLT	4
23	FYD1919/3		SUPPORT ANGLE, VERTICAL COLUMN, 50.8 MM BY 50.8 MM BY 6.35 MM, ALUMINIUM, L 6061 T6, 433 MM LG.	1
24	NZ108044		NUT, SELF LOCKING, HEX., M8, ZINC PLATED, FE/ZN, BLACK	28
25	WA108054L		WASHER, FLAT, M8, ZINC PLATED, FE/ZN, BLACK	56
26	BH108051		BOLT, HEX. HD., M8 BY 25 MM LG., ZINC PLATED, FE/ZN, BLACK	28



GUN MOUNT AND RING ASSEMBLY

Bush Ranger Land Rover Parts ListDerivative code - INTERIM RPIL02228

WH	GUN MOUNT AND RING ASSEMBLY			
<u>Item</u>	<u>Part No.</u>	<u>NSN</u>	<u>Description</u>	<u>Quantity</u>
1	GYD367		GUNRING ASSEMBLY, MINIMI	1
	GYD368		GUNRING ASSEMBLY, MAG 58	1
	NSS		SEALANT, SILASTIC 1080	1
2	GYD287	5340-66-141-6106	CRADLE ASSEMBLY	1
			NUTSERT, M8	3
	MM106301	5310-66-139-3487	NUTSERT, M6	8
	GYD385		DEFLECTOR	1
	SF106151		SCREW, HEX. HD., HIGH TENSILE, M6 BY 1 MM BY 1.5 MM LG.	2
3	GYD526		KEY RING, 30 MM DIA.	3
4	GYD084		CORD, RETAINING, PIP PIN	2
5	HYM935	5315-66-141-6107	PIN, BALL LOCK	1
6	WA108051L		WASHER, FLAT, M8	4
7	GYD284	5340-66-141-6108	MOUNT ASSEMBLY	1
8	WL108001L		WASHER, SPRING, M8	4
9	SH108251	5305-99-122-5367	SCREW, MACHINE, HEX HD., M8 BY 25 MM LG.	2
10	NY112041L	5310-99-122-5498	NUT, NYLOC, M12	1
11	WJ112007	5310-99-122-6477	WASHER, FLAT, 12 MM I.D.	2
12	GYD392	5340-66-141-6109	FORK ASSEMBLY	1
13	NH108061		NUT, HEX., HIGH TENSILE, M8	2
14	HYM932		PIP PIN	1
15	GYD525		BOLT, LOW SOCKET HD., M12 BY 1.75 MM BY 40 MM LG.	1
16	GYD040		WASHER, STEEL, M12	1
17	GYD020		WASHER, M12	1

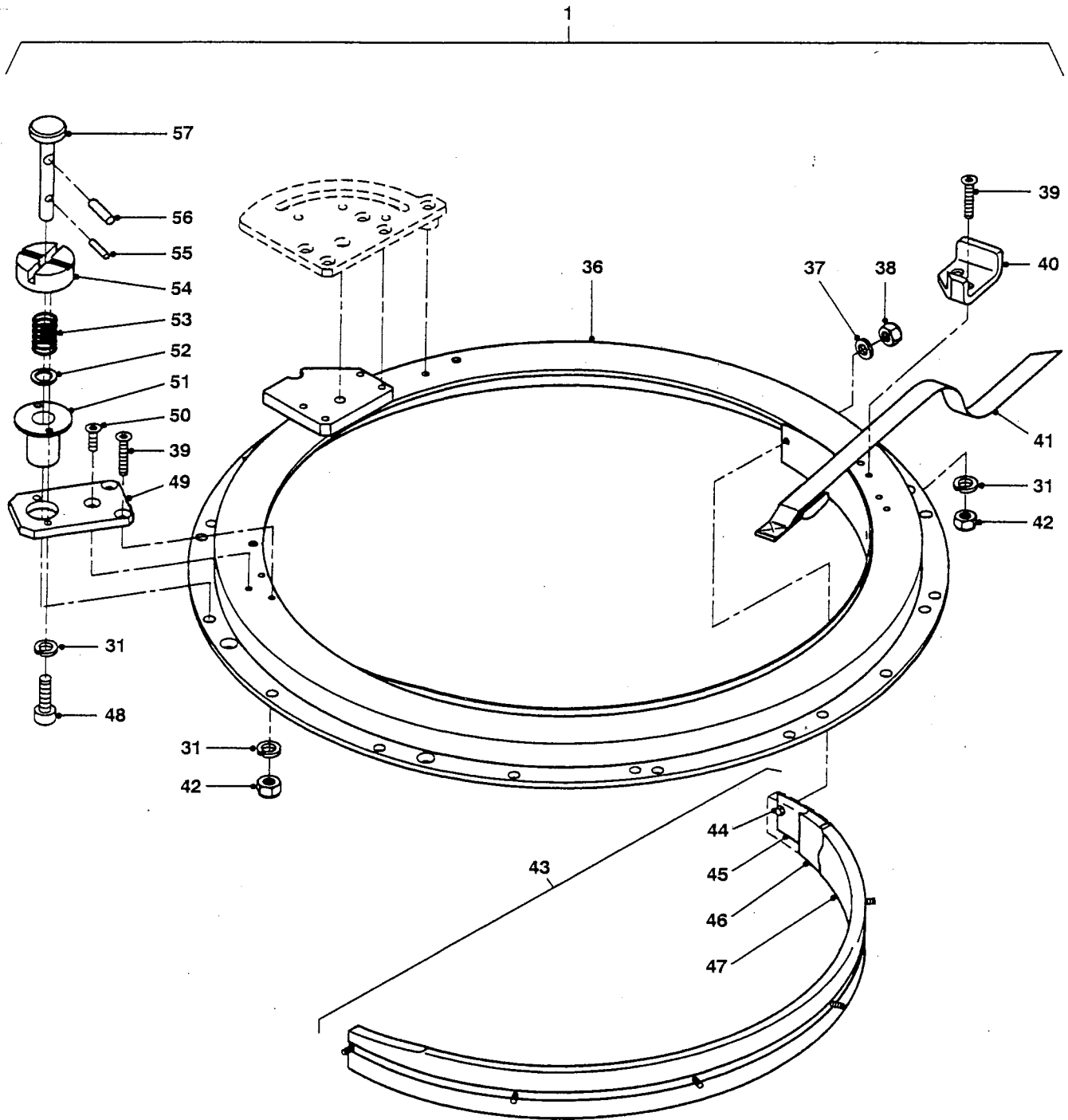


GUN MOUNT AND RING ASSEMBLY

Bush Ranger Land Rover Parts ListDerivative code - INTERIM RPIL02228

WH GUN MOUNT AND RING ASSEMBLY

<u>Item</u>	<u>Part No.</u>	<u>NSN</u>	<u>Description</u>	<u>Quantity</u>
18	GYD019		BUSH	1
19	SJ108201	5305-66-128-5937	SCREW, MACHINE, CSK, SOCKET HD., M8 BY 20 MM LG.	4
20	SJ208351		SCREW, COUNTERSUNK SOCKET HD., M8 BY 1.25 MM BY 35 MM LG.	1
21	GYD524		SCREW, SOCKET HD., SHOULDER	1
22	GYD021		WASHER, M10	1
23	GYD016	5340-66-141-6112	QUADRANT	1
24	SJ104101		SCREW, COUNTERSUNK HD., M4 BY 0.7 MM BY 10 MM LG.	4
25	GYD017	5340-66-141-6113	STRIP, WEAR	1
26	GYD241		PLATE, SUPPORT	1
27	GYD369	5315-66-141-6111	PIN	1
28	BH112201		BOLT, HEX. HD., M12 BY 1.75 MM BY 100 MM LG.	1
29	GYD386	5340-66-141-6110	PLATE	1
30	SH108251		BOLT, HEX. HD., HIGH TENSILE, M8 BY 1.25 MM BY 25 MM LG.	2
31	WL106001L	5310-99-203-6405	WASHER, LOCK, 6 MM I.D.	7
32	WA106001L	5310-99-122-6474	WASHER, FLAT, 6+ MM I.D.	9
33	SH106151L	5305-99-122-5360	SCREW, MACHINE, HEX HD., M6 BY 15 MM LG.	3
34	GYD389		HOLDER, AMMO BOX, MINIMI	1
35	GYD277		HOLDER, AMMO BOX, MAG 58	1
36	GYD013		TURNTABLE, GUNRING	1
37	WA600041		WASHER, FLAT, 1/4 IN.	6
38	NY604041L		NUT, SELF LOCKING, HEX., 1/4 IN.	6

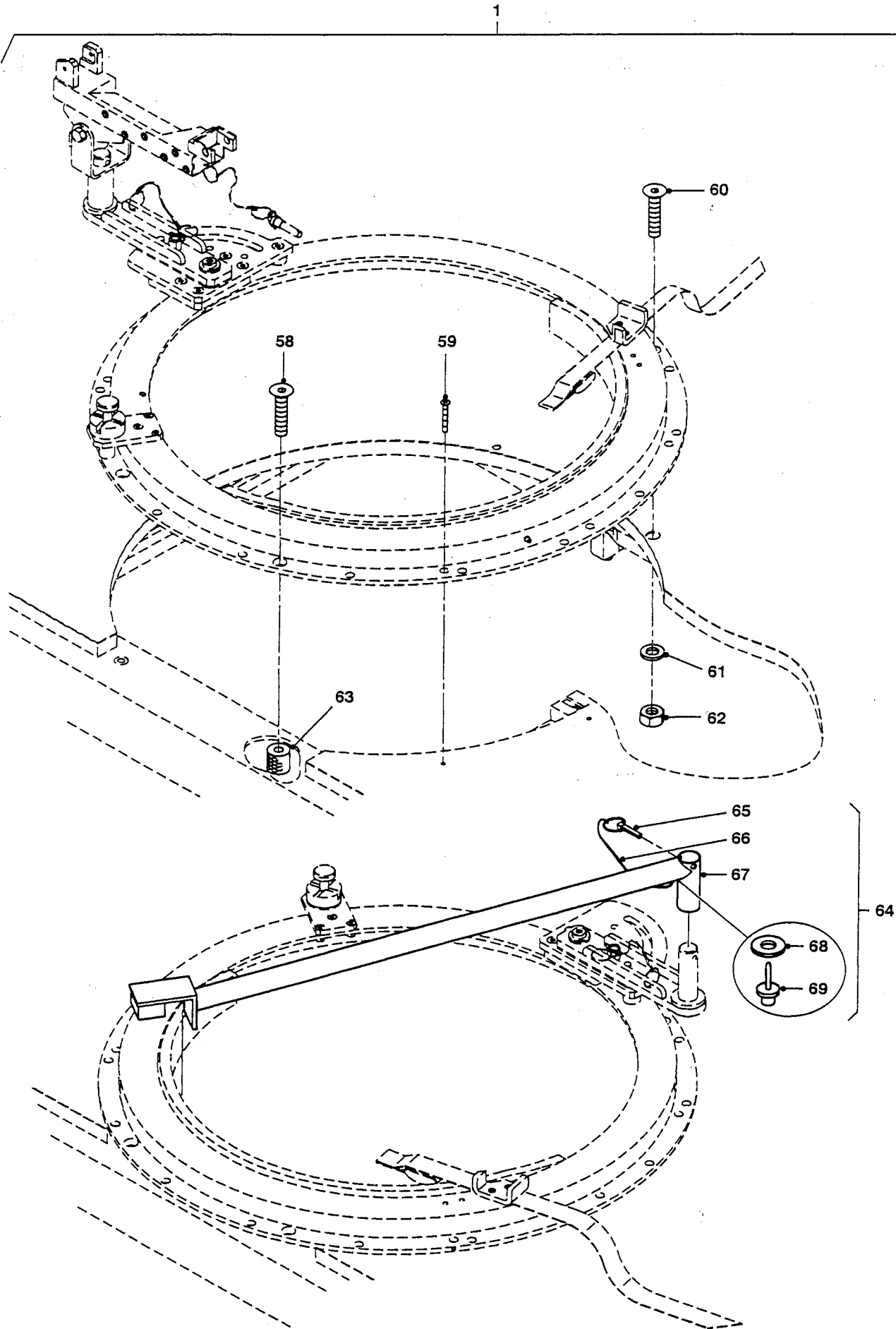


GUN MOUNT AND RING ASSEMBLY

Bush Ranger Land Rover Parts ListDerivative code - INTERIM RPIL02228

WH GUN MOUNT AND RING ASSEMBLY

<u>Item</u>	<u>Part No.</u>	<u>NSN</u>	<u>Description</u>	<u>Quantity</u>
39	SJ106301		SCREW, COUNTERSUNK SOCKET HD., M6 BY 1 MM BY 30 MM LG.	4
40	GYD254		BRACKET, SECURING, GUN BUTT	1
41	GYD265	5340-66-141-6114	STRAP	1
42	NY106047L		NUT, NYLOC, M6	4
43	GYD384		PADDING ASSEMBLY	1
44	SP304051		BOLT, GUTTER, 1/4 IN. BY 15 MM LG.	6
45	NSS		BRACKET, PADDING	1
46	NSS		PADDING, FOAM	1
47	NSS		COVER	1
48	SS106201L		SCREW, SOCKET HD., M6 BY 1 MM BY 20 MM LG.	1
	NSS		LOCTITE	1
49	GYD012		BRACKET, RING LOCK SUPPORT	1
50	SJ106161		SCREW, COUNTERSUNK SOCKET HD., M6 BY 1 MM BY 16 MM LG.	1
51	GYD008		BARREL	1
52	GYD268		WASHER, RING LOCK	1
53	GYD010		SPRING, RING, LOCK	1
54	GYD009		CAM, RING, LOCK	1
55	PA108201		PIN, SPRING, 4 MM DIA. BY 20 MM LG.	1
56	PA112241		PIN, SPRING, 6 MM DIA. BY 24 MM LG.	1
57	GYD007		PIN, LOCATION	1
58	SJ110401		SCREW COUNTERSUNK, SOCKET HD., M10 BY 40 MM LG.	2



GUN MOUNT AND RING ASSEMBLY

Bush Ranger Land Rover Parts List

Derivative code - INTERIM RPIL02228

WH GUN MOUNT AND RING ASSEMBLY

<u>Item</u>	<u>Part No.</u>	<u>NSN</u>	<u>Description</u>	<u>Quantity</u>
59	AC610051		SCREW, COUNTERSUNK, SELF TAPING, UNF, 5/32 IN. BY 5/8 IN. LG.	5
60	SJ110501		SCREW COUNTERSUNK, SOCKET HD., M10 BY 50 MM LG.	2
61	WA110061L	5310-99-122-6476	WASHER, FLAT, 10 MM I.D.	2
62	NY110041L	5310-99-122-5497	NUT, NYLOC, M10	2
63			NUTSERT, M10	2
64	GYD521		POLE, RIDGE ASSEMBLY	1
65	HYM936	5315-99-470-6211	PIN	1
66	GYD522		CORD, RETAINING	1
67	GYD518		POLE, RIDGE	1
68	WA105004L	5310-99-122-3032	WASHER, FLAT, 5 MM I.D.	1
69	RA612123L		RIVET, POP	1

INTENTIONALLY

LEFT

BLANK